

Catálogo de accesorios Náuticos



2025

El Navegante

www.repuestoselnavegante.com



Viega ProPress Copper Press Fitting System

viega

- Viega ProPress is the trusted copper press joining solution.
- Viega is the only company with Smart Connect, a patented technology that helps installers easily identify an unpressed fitting.
- With system-matched tools and jaws, press connections are made in seconds, making Viega ProPress suitable for virtually any type of project.
- Available in sizes 1/2" to 4".

Viega ProPress 90° Elbow



- For use with ASTM B88 tubing.
- Copper.
- Press connection.
- Components: EPDM sealing elements.

Order No.	Mfg. No. / Description	List Price	
456800	(77317) 1/2"	\$5.19	HO-1130000
456700	(77022) 3/4"	\$8.39	HO-3050000
456710	(77027) 1"	\$16.59	HO-5990000
456720	(77032) 1-1/4"	\$32.89	HO-3791000
456730	(77037) 1-1/2"	\$61.39	HO-3863000
456740	(77042) 2"	\$86.19	HO-1715000

Viega ProPress XL-C 90° Elbow



- For use with ASTM B88 tubing.
- Copper.
- Press connection.
- Components: EPDM sealing elements.
- Must be installed with Viega ProPress XL-C rings and V2 actuator.

Order No.	Mfg. No. / Description	List Price	
456655	(20623) 2-1/2"	\$241.09	HO-5644100

Viega ProPress 45° Elbow



- For use with ASTM B88 tubing.
- Copper.
- Press connection.
- Components: EPDM sealing elements.

Order No.	Mfg. No. / Description	List Price	
456840	(77607) 1/2"	\$6.29	HO-7730000
456705	(77023) 3/4"	\$7.39	HO-3440000
456715	(77028) 1"	\$23.29	HO-7931000
456725	(77033) 1-1/4"	\$32.79	HO-7691000
456735	(77038) 1-1/2"	\$52.49	HO-9413000
456745	(77043) 2"	\$72.89	HO-3734000

Viega ProPress XL-C 45° Elbow



- For use with ASTM B88 tubing.
- Copper.
- Press connection.
- Components: EPDM sealing elements.
- Must be installed with Viega ProPress XL-C rings and V2 actuator.

Order No.	Mfg. No. / Description	List Price	
456665	(20653) 2-1/2"	\$162.39	HO-3479000

Viega ProPress 90° Street Elbow



- For use with ASTM B88 tubing.
- Copper.
- Press connection, street.
- Components: EPDM sealing element.

Order No.	Mfg. No. / Description	List Price	
456805	(77347) 1/2"	\$5.39	HO-3230000
456750	(77052) 3/4"	\$8.69	HO-1250000
456760	(77057) 1"	\$19.79	HO-7811000
456770	(77062) 1-1/4"	\$35.79	HO-7412000
456780	(77067) 1-1/2"	\$64.99	HO-9983000
456790	(77072) 2"	\$90.19	HO-1145000

Viega ProPress XL-C 90° Street Elbow



- For use with ASTM B88 tubing.
- Copper.
- Press connection, street.
- Components: EPDM sealing elements.
- Must be installed with Viega ProPress XL-C rings and V2 actuator.

Order No.	Mfg. No. / Description	List Price	
456660	(20638) 2-1/2"	\$269.99	HO-9916100

Viega ProPress 45° Street Elbow



- For use with ASTM B88 tubing.
- Copper.
- Press connection, street.
- Components: EPDM sealing element.

Order No.	Mfg. No. / Description	List Price	
456845	(77637) 1/2"	\$4.99	HO-9920000
456755	(77053) 3/4"	\$6.99	HO-9140000
456765	(77058) 1"	\$22.69	HO-1631000
456775	(77063) 1-1/4"	\$32.79	HO-7691000
456785	(77068) 1-1/2"	\$49.59	HO-5792000
456795	(77073) 2"	\$74.29	HO-7544000

Viega ProPress XL-C 45° Street Elbow



- For use with ASTM B88 tubing.
- Copper.
- Press connection, street.
- Components: EPDM sealing element.
- Must be installed with Viega ProPress XL-C rings and V2 actuator.

Order No.	Mfg. No. / Description	List Price	
456670	(20668) 2-1/2"	\$198.09	HO-5881100

Viega ProPress 90° Elbow - Zero Lead



- For use with ASTM B88 tubing.
- Bronze.
- Press connection, female pipe thread.
- Components: EPDM sealing elements.

Order No.	Mfg. No. / Description	List Price	
461165	(79525) 1/2" x 1/2"	\$18.39	HO-3011000

Viega ProPress Male Adapter - Zero Lead



- For use with ASTM B88 tubing.
- Bronze.
- Press connection, male pipe thread.
- Components: EPDM sealing element.

Order No.	Mfg. No.	P	MPT	List Price	
461180	(79210)	1/2"	3/8"	\$9.69	HO-1850000
457110	(79215)	1/2"	1/2"	\$5.99	HO-9530000
461185	(79220)	1/2"	3/4"	\$12.49	HO-9470000
457115	(79230)	3/4"	3/4"	\$10.69	HO-1460000
461190	(79235)	3/4"	1"	\$29.79	HO-7871000
461195	(79240)	1"	3/4"	\$32.79	HO-7691000
457120	(79245)	1"	1"	\$19.99	HO-9911000
461200	(79250)	1"	1-1/4"	\$41.59	HO-5942000
457125	(79260)	1-1/4"	1-1/4"	\$41.49	HO-9842000
457130	(79275)	1-1/2"	1-1/2"	\$58.19	HO-1943000
457135	(79290)	2"	2"	\$111.89	HO-3176000

Viega ProPress Male Street Adapter - Zero Lead



- For use with Viega ProPress fittings.
- Bronze.
- Street, male pipe thread.

Order No.	Mfg. No.	FTG (CTS)	MPT	List Price	
461175	(79375)	1/2"	3/8"	\$23.09	HO-5831000
457170	(79380)	1/2"	1/2"	\$21.69	HO-1031000
457171	(79390)	3/4"	1/2"	\$35.49	HO-9212000
457175	(79395)	3/4"	3/4"	\$36.19	HO-1712000
457180	(79405)	1"	1"	\$53.99	HO-9323000
457185	(79410)	1-1/4"	1-1/4"	\$68.29	HO-7904000
457190	(79415)	1-1/2"	1-1/2"	\$101.79	HO-7016000
457195	(79420)	2"	2"	\$149.79	HO-7898000

Viega ProPress XL-C Male Adapter



- For use with ASTM B88 tubing.
- Copper.
- Press connection, male pipe thread.
- Components: EPDM sealing element.
- Must be installed with Viega ProPress XL-C rings and V2 actuator.

Order No.	Mfg. No.	P	MPT	List Price	
461490	(20828)	P: 3"	MPT: 3"	\$309.09	HO-5458100

Electronics

Trolling Motors

Instruments

Electrical

Lighting

Anchor & Dock

Safety

Steering, Controls

Pumps

Fuel System

Seating & Pedestals

Trailering

Tops & Covers

Perform.

Propellers

Engine & Care

Cleaning & Care

Paint & Paint Acc.

Fun & Flotation

Topside Acc.

Cockpit & Deck

Hardware, Fasteners

Camouflage

Misc.

Comm.

Viega ProPress Copper Press Fitting System (cont.)

Viega ProPress Female Adapter - Zero Lead



- For use with ASTM B88 tubing.
- Bronze.
- Press connection, female pipe thread.
- Components: EPDM sealing element.

Order No.	Mfg. No.	P	FPT	List Price	
461215	(79295)	1/2"	3/8"	\$8.09	HO-5840000
457140	(79300)	1/2"	1/2"	\$7.49	HO-9440000
457145	(79315)	3/4"	3/4"	\$11.59	HO-5960000
461991	(79325)	1"	3/4"	\$41.29	HO-7742000
457150	(79330)	1"	1"	\$22.19	HO-1331000
457155	(79350)	1-1/4"	1-1/4"	\$49.29	HO-7592000
457160	(79365)	1-1/2"	1-1/2"	\$69.09	HO-5414000
457165	(79370)	2"	2"	\$114.99	HO-9986000

Viega ProPress Female Street Adapter - Zero Lead



- For use with Viega ProPress fittings.
- Bronze.
- Street, female pipe thread.

Order No.	Mfg. No.	FTG (CTS)	FPT	List Price	
461205	(79425)	1/2"	3/8"	\$24.69	HO-1841000
457200	(79430)	1/2"	1/2"	\$23.69	HO-1241000
457205	(79445)	3/4"	3/4"	\$34.29	HO-7502000
461210	(79455)	1"	1/2"	\$51.09	HO-5603000
457210	(79450)	1"	1"	\$53.39	HO-3023000
457215	(79465)	1-1/4"	1-1/4"	\$90.19	HO-1145000
457220	(79470)	1-1/2"	1-1/2"	\$100.59	HO-5306000
457225	(79475)	2"	2"	\$170.29	HO-7120100

Viega ProPress Coupling with Stop



- For use with ASTM B88 tubing.
- Copper.
- Press connection.
- Components: EPDM sealing elements.

Order No.	Mfg. No. / Description	List Price	
456880	(78047) 1/2"	\$4.69	HO-1820000
456885	(78052) 3/4"	\$7.09	HO-5240000
456890	(78057) 1"	\$14.19	HO-1580000
456895	(78062) 1-1/4"	\$17.69	HO-1601000
456900	(78067) 1-1/2"	\$32.19	HO-1391000
456905	(78072) 2"	\$41.09	HO-5642000

Viega ProPress XL-C Coupling with Stop



- For use with ASTM B88 tubing.
- Copper.
- Press connection.
- Components: EPDM sealing elements.
- Must be installed with Viega ProPress XL-C rings and V2 actuator.

Order No.	Mfg. No. / Description	List Price	
456680	(20728) 2-1/2"	\$120.19	HO-1127000

Viega ProPress Coupling - No Stop



- For use with ASTM B88 tubing.
- Copper.
- Press connection.
- Components: EPDM sealing elements.

Order No.	Mfg. No. / Description	List Price	
456930	(78172) 1/2"	\$11.49	HO-9860000
456935	(78177) 3/4"	\$15.09	HO-5090000
456940	(78182) 1"	\$19.19	HO-1511000
456945	(78187) 1-1/4"	\$28.89	HO-3371000
456950	(78192) 1-1/2"	\$43.69	HO-1262000
456955	(78197) 2"	\$49.89	HO-3992000

Viega ProPress Extended Coupling - No Stop



- For use with ASTM B88 tubing.
- Copper.
- Press connection.
- Components: EPDM sealing elements.

Order No.	Mfg. No. / Description	List Price	
456990	(79005) 1/2"	\$35.29	HO-7112000
456995	(79010) 3/4"	\$38.89	HO-3332000
457000	(79015) 1"	\$49.09	HO-5492000
457005	(79020) 1-1/4"	\$61.59	HO-5963000
457010	(79025) 1-1/2"	\$89.19	HO-1535000
457015	(79030) 2"	\$109.19	HO-1556000

Viega ProPress XL-C Coupling - No Stop



- For use with ASTM B88 tubing.
- Copper.
- Press connection.
- Components: EPDM sealing elements.
- Must be installed with Viega ProPress XL-C rings and V2 actuator.

Order No.	Mfg. No. / Description	List Price	
456685	(20743) 2-1/2"	\$121.79	HO-7037000

Viega ProPress Cap



- For use with ASTM B88 tubing.
- Copper.
- Press connection.
- Components: EPDM sealing element.

Order No.	Mfg. No. / Description	List Price	
456850	(77712) 1/2"	\$9.89	HO-3950000
456855	(77717) 3/4"	\$16.99	HO-9101000
456860	(77722) 1"	\$26.09	HO-5651000
456865	(77727) 1-1/4"	\$30.29	HO-7181000
456870	(77732) 1-1/2"	\$46.89	HO-3182000
456875	(77737) 2"	\$56.99	HO-9143000

Viega ProPress XL-C Cap



- For use with ASTM B88 tubing.
- Copper.
- Press connection.
- Components: EPDM sealing element.
- Must be installed with Viega ProPress XL-C rings and V2 actuator.

Order No.	Mfg. No. / Description	List Price	
456690	(20833) 2-1/2"	\$169.79	HO-7810100

Viega ProPress Adapter Flange (2 Piece) - Zero Lead



- For use with ASTM B88 tubing.
- Bronze.
- Press connection.
- Components: EPDM sealing element.

Order No.	Mfg. No. / Description	List Price	
457230	(79680) 1"	\$217.49	HO-9403100
457235	(79685) 1-1/4"	\$301.19	HO-1708100
457240	(79690) 1-1/2"	\$332.49	HO-9499100
457245	(79695) 2"	\$373.49	HO-9042200

Viega ProPress XL-C Adapter Flange (2 Piece) - Zero Lead



- For use with ASTM B88 tubing.
- Copper.
- Press connection.
- Components: EPDM sealing element.
- Must be installed with Viega ProPress XL-C rings and V2 actuator.

Order No.	Mfg. No. / Description	List Price	
456695	(20853) 2-1/2"	\$368.69	HO-1212200

- Electronics
- Trolling Motors
- Instruments
- Electrical
- Lighting
- Anchor & Dock
- Safety
- Steering, Controls
- Pumps
- Fuel System
- Seating & Pedestals
- Trailering
- Tops & Covers
- Perform.
- Propellers
- Engine & Care
- Cleaning & Care
- Paint & Paint Acc.
- Fun & Flotation
- Topside Acc.
- Cockpit & Deck
- Hardware, Fasteners
- Camouflage
- Misc.
- Comm.

Viega ProPress Copper Press Fitting System (cont.)

Viega ProPress Tee

viega



- For use with ASTM B88 tubing.
- Copper.
- Press connection.
- Components: EPDM sealing elements.

Order No.	Mfg. No.	P1	P2	P3	List Price	
456810	(77377)	1/2"	1/2"	1/2"	\$7.89	HO-3740000
461335	(77382)	1/2"	1/2"	3/4"	\$28.09	HO-5861000
461340	(77392)	3/4"	1/2"	1/2"	\$21.99	HO-9131000
461345	(77397)	3/4"	1/2"	3/4"	\$23.79	HO-7241000
461350	(77402)	3/4"	3/4"	1/2"	\$12.09	HO-5270000
456815	(77387)	3/4"	3/4"	3/4"	\$13.79	HO-7280000
461415	(94767)	1"	1/2"	1"	\$43.59	HO-5162000
461355	(77417)	1"	3/4"	1/2"	\$45.99	HO-9572000
456821	(77422)	1"	3/4"	3/4"	\$40.49	HO-9242000
456822	(77427)	1"	3/4"	1"	\$45.69	HO-1472000
461370	(77432)	1"	1"	1/2"	\$29.39	HO-3671000
456823	(77437)	1"	1"	3/4"	\$28.69	HO-1271000
456820	(77412)	1"	1"	1"	\$25.19	HO-1151000
461450	(22253)	1-1/4"	1/2"	1-1/4"	\$87.69	HO-1625000
461384	(77452)	1-1/4"	1-1/4"	3/4"	\$38.59	HO-5132000
461380	(77447)	1-1/4"	1-1/4"	1"	\$41.59	HO-5942000
456825	(77442)	1-1/4"	1-1/4"	1-1/4"	\$42.19	HO-1352000
461455	(79660)	1-1/2"	1"	3/4"	\$107.49	HO-9446000
461430	(15458)	1-1/2"	1"	1"	\$122.19	HO-1337000
461435	(15463)	1-1/2"	1"	1-1/2"	\$133.99	HO-9308000
461425	(15448)	1-1/2"	1-1/2"	1/2"	\$86.99	HO-9125000
461390	(77462)	1-1/2"	1-1/2"	3/4"	\$71.29	HO-7724000
461395	(77467)	1-1/2"	1-1/2"	1"	\$73.99	HO-9344000
456830	(77457)	1-1/2"	1-1/2"	1-1/2"	\$80.19	HO-1184000
461420	(15503)	2"	1-1/2"	1-1/2"	\$158.69	HO-1259000
461445	(22228)	2"	1-1/2"	2"	\$147.69	HO-1688000
461440	(15538)	2"	2"	1/2"	\$137.09	HO-5228000
461410	(94777)	2"	2"	3/4"	\$115.99	HO-9596000
461405	(77487)	2"	2"	1-1/4"	\$122.09	HO-5237000
461400	(77482)	2"	2"	1-1/2"	\$91.79	HO-7055000
456835	(77477)	2"	2"	2"	\$99.09	HO-5495000

Viega ProPress Street Reducer



- For use with ASTM B88 tubing.
- Copper.
- Press connection, street.
- Components: EPDM sealing elements.

Order No.	Mfg. No.	FTG (CTS)	P	List Price	
461250	(78077)	3/4"	1/2"	\$5.49	HO-9230000
461255	(78082)	1"	1/2"	\$14.19	HO-1580000
461260	(78087)	1"	3/4"	\$14.39	HO-3680000
455976	(22333)	1-1/4"	1/2"	\$16.29	HO-7790000
461265	(78092)	1-1/4"	3/4"	\$16.89	HO-3101000
461270	(78097)	1-1/4"	1"	\$18.99	HO-9311000
461295	(14543)	1-1/2"	3/4"	\$28.19	HO-1961000
461275	(78102)	1-1/2"	1"	\$27.89	HO-3761000
461280	(78107)	1-1/2"	1-1/4"	\$28.09	HO-5861000
461285	(78117)	2"	1-1/4"	\$38.59	HO-5132000
461290	(78122)	2"	1-1/2"	\$37.59	HO-5522000

Viega ProPress XL-C Tee

viega



- For use with ASTM B88 tubing.
- Copper.
- Press connection.
- Components: EPDM sealing elements.
- Must be installed with Viega ProPress XL-C rings and V2 actuator.

Order No.	Mfg. No.	P1	P2	P3	List Price	
456675	(20683)	2-1/2"	2-1/2"	2-1/2"	\$303.59	HO-5128100

Viega ProPress Tee - Zero Lead



- For use with ASTM B88 tubing.
- Bronze.
- Press connection, female pipe thread.
- Components: EPDM sealing elements.

Order No.	Mfg. No.	P1	P2	P3	List Price	
461305	(79580)	1/2"	1/2"	1/2"	\$27.19	HO-1361000
461330	(79595)	3/4"	3/4"	3/4"	\$46.19	HO-1772000
461310	(79765)	1"	1"	3/4"	\$55.79	HO-7433000
461315	(79770)	1-1/4"	1-1/4"	1/2"	\$65.59	HO-5393000
461320	(79780)	1-1/2"	1-1/2"	1/2"	\$77.69	HO-1664000
461325	(79790)	2"	2"	1/2"	\$94.59	HO-5765000

Viega ProPress Reducer



- For use with ASTM B88 tubing.
- Copper.
- Press connection.
- Components: EPDM sealing elements.

Order No.	Mfg. No.	P1	P2	List Price	
456910	(78147)	3/4"	1/2"	\$21.29	HO-7721000
461300	(15603)	1"	1/2"	\$39.19	HO-1532000
456915	(78152)	1"	3/4"	\$24.89	HO-3941000
456920	(78157)	1-1/4"	1"	\$36.29	HO-7712000
456605	(15588)	1-1/2"	1"	\$60.39	HO-3263000
456610	(15608)	2"	1"	\$93.09	HO-5855000
456925	(78167)	2"	1-1/2"	\$60.19	HO-1163000

Viega ProPress Reducer XL-C



- For use with ASTM B88 tubing.
- Copper.
- Press connection, street.
- Components: EPDM sealing elements.

Order No.	Mfg. No.	FTG (CTS)	P	List Price	
461500	(20768)	3"	2-1/2"	\$194.89	HO-3961100

Electronics

Trolling
Motors

Instruments

Electrical

Lighting

Anchor
& Dock

Safety

Steering,
Controls

Pumps

Fuel
SystemSeating &
Pedestals

Trailer

Tops &
Covers

Perform.

Propellers

Engine
& CareCleaning
& CarePaint &
Paint Acc.Fun &
FlotationTopside
Acc.Cockpit
& DeckHardware,
Fasteners

Camouflage

Misc.

Comm.

Viega ProPress Copper Press Fitting System (cont.)

Viega ProPress Union - Zero Lead



- For use with ASTM B88 tubing.
- Bronze.
- Press connection.
- Ground joint.
- Components: EPDM sealing elements.

Order No.	Mfg. No. / Description	List Price	
457050	(79125) 1/2"	\$40.49	HO-9242000
457055	(79130) 3/4"	\$50.19	HO-1103000
457060	(79135) 1"	\$81.69	HO-1094000
457065	(79140) 1-1/4"	\$115.19	HO-1196000
457070	(79145) 1-1/2"	\$150.79	HO-7409000
457075	(79150) 2"	\$241.49	HO-9844100

Viega ProPress Female Union - Zero Lead



- For use with ASTM B88 tubing.
- Bronze.
- Press connection, female pipe thread.
- Ground joint.
- Components: EPDM sealing element.

Order No.	Mfg. No. / Description	List Price	
461460	(79700) 1/2"	\$32.49	HO-9491000
461465	(79705) 3/4"	\$41.69	HO-1052000
461470	(79710) 1"	\$68.99	HO-9314000
461475	(79715) 1-1/4"	\$83.19	HO-1994000
461480	(79725) 2"	\$172.99	HO-9730100

Viega ProPress Male Union - Zero Lead



- For use with ASTM B88 tubing.
- Bronze.
- Press connection, male pipe thread.
- Ground joint.
- Components: EPDM sealing element.

Order No.	Mfg. No. / Description	List Price	
457250	(79730) 1/2"	\$35.39	HO-3212000
457255	(79735) 3/4"	\$48.89	HO-3392000
457260	(79740) 1"	\$71.49	HO-9824000
457265	(79745) 1-1/4"	\$100.59	HO-5306000
457270	(79750) 1-1/2"	\$140.19	HO-1148000
457275	(79755) 2"	\$183.29	HO-7990100

Viega ProPress Di-Electric Union - Zero Lead



- For transitioning between copper and steel.
- Bronze.
- Press connection, female pipe thread.
- Ground joint.
- Components: EPDM flat gasket, EPDM sealing element.

Order No.	Mfg. No. / Description	List Price	
457080	(79155) 1/2"	\$79.59	HO-5774000
457085	(79160) 3/4"	\$85.29	HO-7115000
457090	(79165) 1"	\$109.49	HO-9656000
457095	(79170) 1-1/4"	\$139.89	HO-3938000
457100	(79175) 1-1/2"	\$162.69	HO-1679000
457105	(79180) 2"	\$228.29	HO-7963100

Viega ProPress Check Valve - Zero Lead



- For potable water applications.
- Bronze.
- Press connection.
- Inline.
- Components: EPDM sealing elements.

Order No.	Mfg. No. / Description	List Price	
457020	(79035) 1/2"	\$38.09	HO-5822000
457025	(79040) 3/4"	\$48.79	HO-7292000
457030	(79045) 1"	\$56.19	HO-1733000
457035	(79050) 1-1/4"	\$81.29	HO-7784000
457040	(79055) 1-1/2"	\$115.29	HO-7196000
457045	(79060) 2"	\$209.89	HO-3952100

Viega ProPress 90° Stub-Out



- For use with ProPress fittings.
- Copper.
- Components: Wall plate.

Order No.	Mfg. No. / Description	List Price	
456645	(19786) 1/2"	\$14.39	HO-3680000
456650	(19791) 3/4"	\$23.69	HO-1241000

Viega ProPress Ball Valve - Zero Lead



- For potable water applications.
- Bronze.
- Press connection.
- Full port.
- Components: Lockable metal handle, stainless steel ball, EPDM sealing elements.

Order No.	Mfg. No. / Description	List Price	
461230	(79920) 1/2"	\$40.09	HO-5042000
461235	(79925) 3/4"	\$53.19	HO-1913000
461240	(79930) 1"	\$69.59	HO-5714000
461245	(79935) 1-1/4"	\$119.09	HO-5417000
461220	(79940) 1-1/2"	\$174.79	HO-7840100
461225	(79950) 2"	\$266.49	HO-9895100

Viega ProPress Ball Valve - Zero Lead



- For potable water applications.
- Bronze.
- Press connection.
- Full port.
- Components: Lockable metal handle, stainless steel ball and stem, EPDM sealing elements.

Order No.	Mfg. No. / Description	List Price	
457290	(79923) 1/2"	\$58.59	HO-5153000
457295	(79928) 3/4"	\$69.09	HO-5414000
457300	(79933) 1"	\$90.59	HO-5345000
457305	(79938) 1-1/4"	\$169.79	HO-7810100
457280	(79840) 1-1/2"	\$259.99	HO-9955100
457285	(79845) 2"	\$374.99	HO-9942200

Viega ProPress Sealing Element - FKM



- For Viega ProPress CTS size fitting.
- Dull black.

Order No.	Mfg. No. / Description	List Price	
456615	(17768) 1/2"	\$2.49	HO-9410000
456620	(17778) 3/4"	\$3.79	HO-7220000
456625	(17788) 1"	\$4.39	HO-3620000
456630	(17803) 1-1/4"	\$5.29	HO-7130000
456635	(17818) 1-1/2"	\$9.79	HO-7850000
456640	(17823) 2"	\$10.19	HO-1160000

Viega ProPress Sealing Element - EPDM



- For Viega ProPress CTS size fitting.
- Shiny black.

Order No.	Mfg. No. / Description	List Price	
456960	(78242) 1/2"	\$2.29	HO-7310000
456965	(78247) 3/4"	\$2.29	HO-7310000
456970	(78252) 1"	\$2.59	HO-5510000
456975	(78257) 1-1/4"	\$2.79	HO-7610000
456980	(78262) 1-1/2"	\$3.69	HO-1220000
456985	(78267) 2"	\$3.79	HO-7220000

Electronics
Trolling Motors
Instruments
Electrical
Lighting
Anchor & Dock
Safety
Steering, Controls
Pumps
Fuel System
Seating & Pedestals
Trailering
Tops & Covers
Perform.
Propellers
Engine & Care
Cleaning & Care
Paint & Paint Acc.
Fun & Flotation
Topside Acc.
Cockpit & Deck
Hardware, Fasteners
Camouflage
Misc.
Comm.

Viega SeaPress Fitting System

viega

- For marine and industrial pipe joining applications.
- Can be used in a variety of applications from potable water to fuel to fire sprinkler.
- A 90/10 copper-nickel alloy that is specifically designed to stand up to the harsh environments of the sea.
- It is the only metric copper-nickel press fitting with a double-press connection, making it the strongest press connection on the market.

Viega SeaPress XL 90° Elbow



- CuNiFe 90/10.
- Press connection.
- Components: EPDM sealing elements.
- Use with press ring set Model 2497 .3XL.

Order No.	Mfg. No. / Description	List Price	
461600	(556570) 76.1	\$582.09	HO-5294300
461916	(556563) 88.9	\$710.29	HO-7162400

Viega SeaPress 90° Elbow



- CuNiFe 90/10.
- Press connection.
- Components: EPDM sealing elements.

Order No.	Mfg. No. / Description	List Price	
461570	(453169) 15	\$37.79	HO-7622000
461575	(453176) 22	\$52.69	HO-1613000
461580	(453183) 28	\$66.19	HO-1793000
461876	(453190) 35	\$104.39	HO-3626000
457330	(453213) 54	\$240.29	HO-7144100

Viega SeaPress 45° Street Elbow



- CuNiFe 90/10.
- Press connection, street.
- Components: EPDM sealing elements.

Order No.	Mfg. No. / Description	List Price	
461685	(453947) 15	\$45.29	HO-7172000
461690	(453954) 22	\$61.39	HO-3863000
461695	(453961) 28	\$71.99	HO-9134000
461700	(453985) 42	\$132.09	HO-5297000
457310	(453992) 54	\$171.79	HO-7030100

Viega SeaPress XL 45° Street Elbow



- CuNiFe 90/10.
- Press connection, street.
- Components: EPDM sealing elements.
- Use with press ring set Model 2497 .3XL.

Order No.	Mfg. No. / Description	List Price	
461705	(556587) 76.1	\$510.39	HO-3260300

Viega SeaPress 90° Street Elbow



- CuNiFe 90/10.
- Press connection, street.
- Components: EPDM sealing elements.

Order No.	Mfg. No. / Description	List Price	
461590	(453244) 28	\$63.99	HO-9383000
461595	(453657) 35	\$102.59	HO-5516000

Viega SeaPress 45° Elbow



- CuNiFe 90/10.
- Press connection.
- Components: EPDM sealing elements.

Order No.	Mfg. No. / Description	List Price	
461665	(453886) 15	\$48.99	HO-9392000
461670	(453893) 22	\$63.29	HO-7973000
461675	(453909) 28	\$73.99	HO-9344000
461896	(453916) 35	\$86.79	HO-7025000
457320	(453923) 42	\$139.59	HO-5738000
457304	(453930) 54	\$181.49	HO-9880100

Viega SeaPress XL 45° Elbow



- CuNiFe 90/10.
- Press connection.
- Components: EPDM sealing elements.
- Use with press ring set Model 2497 .3XL.

Order No.	Mfg. No. / Description	List Price	
461710	(556617) 76.1	\$555.29	HO-7133300
461926	(556624) 88.9	\$665.29	HO-7199300

Viega SeaPress Tee



- CuNiFe 90/10.
- Press connection, female pipe thread.
- Components: EPDM sealing elements.

Order No.	Mfg. No. / Description	List Price	
461605	(461089) 42 x 3/4" x 42	\$180.29	HO-7180100
461610	(461096) 54 x 3/4" x 54	\$258.99	HO-9355100

Electronics

Trolling Motors

Instruments

Electrical

Lighting

Anchor & Dock

Safety

Steering, Controls

Pumps

Fuel System

Seating & Pedestals

Trailering

Tops & Covers

Perform.

Propellers

Engine & Care

Cleaning & Care

Paint & Paint Acc.

Fun & Flotation

Topside Acc.

Cockpit & Deck

Hardware, Fasteners

Camouflage

Misc.

Comm.

Viega SeaPress Fitting System (cont.)

Viega SeaPress Tee



- CuNiFe 90/10.
- Press connection.
- Components: EPDM sealing elements.

Order No.	Mfg. No. / Description	List Price	
461615	(453473) 15 x 15 x 15	\$61.69	HO-1073000
461620	(453480) 22 x 22 x 22	\$75.79	HO-7454000
461625	(453497) 28 x 28 x 28	\$88.79	HO-7235000
461886	(453503) 35 x 35 x 35	\$112.09	HO-5276000
457306	(453534) 42 x 35 x 42	\$154.19	HO-1529000
461630	(453510) 42 x 42 x 42	\$159.29	HO-7559000
457325	(453541) 54 x 35 x 54	\$173.99	HO-9340100
461645	(453558) 54 x 42 x 54	\$253.89	HO-3325100

Viega SeaPress XL Tee



- CuNiFe 90/10.
- Press connection.
- Components: EPDM sealing elements.
- Use with press ring set Model 2497 .3XL.

Order No.	Mfg. No. / Description	List Price	
461650	(453794) 76.1 x 35 x 76.1	\$913.39	HO-9084500
461655	(453800) 76.1 x 54 x 76.1	\$1,047.79	HO-7682600
461660	(556228) 76.1 x 76.1 x 76.1	\$1,051.99	HO-9113600
461906	(556235) 88.9 x 88.9 x 88.9	\$1,150.69	HO-1409600

Viega SeaPress Coupling with Stop



- CuNiFe 90/10.
- Press connection.
- Components: EPDM sealing elements.

Order No.	Mfg. No. / Description	List Price	
457315	(453107) 15	\$26.49	HO-9851000
461520	(453114) 22	\$33.09	HO-5891000
461525	(453121) 28	\$37.49	HO-9422000
461530	(453145) 42	\$63.29	HO-7973000

Viega SeaPress XL Coupling with Stop



- CuNiFe 90/10.
- Press connection.
- Components: EPDM sealing elements.
- Use with press ring set Model 2497 .3XL.

Order No.	Mfg. No. / Description	List Price	
461565	(556495) 76.1	\$377.59	HO-5562200

Viega SeaPress Reducer



- CuNiFe 90/10.
- Press connection, street.
- Components: EPDM sealing elements.

Order No.	Mfg. No. / Description	List Price	
461535	(452810) FTG: 22 P: 15	\$31.49	HO-9881000
461540	(452827) FTG: 28 P: 22	\$36.69	HO-1022000
461545	(452834) FTG: 35 P: 22	\$41.89	HO-3152000
461550	(453251) FTG: 42 P: 28	\$98.69	HO-1295000
461555	(453282) FTG: 54 P: 42	\$66.99	HO-9104000

Viega SeaPress XL Reducer



- CuNiFe 90/10.
- Press connection, street.
- Components: EPDM sealing elements.
- Use with press ring set Model 2497 .3XL.

Order No.	Mfg. No. / Description	List Price	
461560	(556648) FTG: 76.1 P: 54	\$323.69	HO-1249100

Viega SeaPress Flange



- Bronze.
- Press connection.
- Components: EPDM sealing element.

Order No.	Mfg. No. / Description	List Price	
461716	(592042) 54	\$838.09	HO-5820500

Viega SeaPress XL Flange



- Bronze.
- Press connection.
- Components: EPDM sealing element.
- Use with press jaw set Model 2297 .3XL.

Order No.	Mfg. No. / Description	List Price	
461720	(592059) 76.1	\$821.79	HO-7039400

Viega SeaPress Adapter



- CuNiFe 90/10.
- Press connection, female pipe thread.
- Components: EPDM sealing element.

Order No.	Mfg. No. / Description	List Price	
461510	(461188) 15 x 1/2"	\$61.19	HO-1763000
461515	(461195) 22 x 3/4"	\$78.99	HO-9374000

Electronics

Trolling Motors

Instruments

Electrical

Lighting

Anchor & Dock

Safety

Steering, Controls

Pumps

Fuel System

Seating & Pedestals

Trailering

Tops & Covers

Perform.

Propellers

Engine & Care

Cleaning & Care

Paint & Paint Acc.

Fun & Flotation

Topside Acc.

Cockpit & Deck

Hardware, Fasteners

Camouflage

Misc.

Comm.

Viega MegaPressG - Carbon Steel Fitting System for Gas Applications

viega

- Viega MegaPressG with an HNBR sealing element is the first press fitting system for carbon steel pipe approved for use in gas and fuel oil applications.
- Ideal for industrial, commercial and residential applications and performs well in both new installations and retrofit projects.
- Approved for more applications than any other carbon steel pipe press fitting system.
- Suitable for use with ASTM Schedule 5 to Schedule 40 carbon steel pipe in accordance with AHJ requirements.
- Corrosion-resistant zinc-nickel coating.

Viega MegaPressG 90° Elbow

- For use with Sch. 5 to Sch. 40 carbon steel pipe.
- Carbon steel.
- Press connection.
- Components: HNBR sealing elements.



Order No.	Mfg. No. / Description	List Price	
456120	(25201) 1/2"	\$23.29	HO-7931000
456125	(25206) 3/4"	\$26.59	HO-5951000
456130	(25211) 1"	\$32.29	HO-7391000
456135	(25216) 1-1/4"	\$55.99	HO-9533000
456140	(25221) 1-1/2"	\$71.49	HO-9824000
456145	(25226) 2"	\$106.39	HO-3836000

Viega MegaPressG 45° Elbow

- For use with Sch. 5 to Sch. 40 carbon steel pipe.
- Carbon steel. Press connection.
- Components: HNBR sealing elements.



Order No.	Mfg. No. / Description	List Price	
456150	(25231) 1/2"	\$24.29	HO-7541000
456155	(25236) 3/4"	\$29.39	HO-3671000
456160	(25241) 1"	\$36.69	HO-1022000
456165	(25246) 1-1/4"	\$64.59	HO-5783000
456170	(25251) 1-1/2"	\$80.99	HO-9584000
456175	(25256) 2"	\$114.99	HO-9986000

Viega MegaPressG Tee

- For use with Sch. 5 to Sch. 40 carbon steel pipe.
- Carbon steel.
- Press connection.
- Components: HNBR sealing elements.



Order No.	Mfg. No. / Description	List Price	
456180	(25301) 1/2" x 1/2" x 1/2"	\$38.09	HO-5822000
456185	(25306) 3/4" x 3/4" x 3/4"	\$41.99	HO-9152000
456190	(25311) 1" x 1" x 1"	\$49.89	HO-3992000
456195	(25316) 1-1/4" x 1-1/4" x 1-1/4"	\$85.59	HO-5315000
456200	(25321) 1-1/2" x 1-1/2" x 1-1/2"	\$100.69	HO-1406000
456205	(25326) 2" x 2" x 2"	\$163.19	HO-1979000

Viega MegaPressG Adapter

- For use with Sch. 5 to Sch. 40 carbon steel pipe.
- Carbon steel.
- Press connection, female pipe thread.
- Components: HNBR sealing element.



Order No.	Mfg. No. / Description	List Price	
456090	(25131) 1/2"	\$26.79	HO-7061000
456095	(25136) 3/4"	\$30.69	HO-1481000
456100	(25141) 1"	\$40.29	HO-7142000
456105	(25146) 1-1/4"	\$48.49	HO-9092000
456110	(25151) 1-1/2"	\$55.99	HO-9533000
456115	(25156) 2"	\$83.89	HO-3305000

Viega MegaPressG 90° Street Elbow

- For use with Sch. 5 to Sch. 40 carbon steel pipe.
- Carbon steel.
- Press connection street.
- Components: HNBR sealing element.



Order No.	Mfg. No. / Description	List Price	
456350	(26051) 1/2"	\$23.79	HO-7241000
456355	(26056) 3/4"	\$26.59	HO-5951000
456360	(26061) 1"	\$32.29	HO-7391000
456365	(26066) 1-1/4"	\$55.99	HO-9533000
456370	(26071) 1-1/2"	\$71.49	HO-9824000
456375	(26076) 2"	\$106.39	HO-3836000

Viega MegaPressG 45° Street Elbow

- For use with Sch. 5 to Sch. 40 carbon steel pipe.
- Carbon steel. Press connection, street.
- Components: HNBR sealing element.



Order No.	Mfg. No. / Description	List Price	
456380	(26101) 1/2"	\$24.29	HO-7541000
456385	(26106) 3/4"	\$29.39	HO-3671000
456390	(26111) 1"	\$36.69	HO-1022000
456395	(26116) 1-1/4"	\$64.59	HO-5783000
456400	(26121) 1-1/2"	\$80.99	HO-9584000
456405	(26126) 2"	\$114.99	HO-9986000

Viega MegaPressG Adapter

- For use with Sch. 5 to Sch. 40 carbon steel pipe.
- Carbon steel.
- Press connection, male pipe thread.
- Components: HNBR sealing element.



Order No.	Mfg. No. / Description	List Price	
456060	(25101) 1/2"	\$29.89	HO-3971000
456065	(25106) 3/4"	\$32.49	HO-9491000
456070	(25111) 1"	\$40.69	HO-1442000
456075	(25116) 1-1/4"	\$49.09	HO-5492000
456080	(25121) 1-1/2"	\$57.59	HO-5543000
456085	(25126) 2"	\$87.69	HO-1625000

Viega MegaPressG Cap

- For use with Sch. 5 to Sch. 40 carbon steel pipe.
- Carbon steel. Press connection.
- Components: HNBR sealing element.



Order No.	Mfg. No. / Description	List Price	
456270	(25731) 1/2"	\$26.59	HO-5951000
456275	(25736) 3/4"	\$27.89	HO-3761000
456280	(25741) 1"	\$31.49	HO-9881000
456285	(25746) 1-1/4"	\$53.79	HO-7223000
456290	(25751) 1-1/2"	\$68.69	HO-1214000
456295	(25756) 2"	\$84.79	HO-7805000

Electronics

Trolling Motors

Instruments

Electrical

Lighting

Anchor & Dock

Safety

Steering, Controls

Pumps

Fuel System

Seating & Pedestals

Trailer

Tops & Covers

Perform.

Propellers

Engine & Care

Cleaning & Care

Paint & Paint Acc.

Fun & Flotation

Topside Acc.

Cockpit & Deck

Hardware, Fasteners

Camouflage

Misc.

Comm.

Electronics

Trolling Motors

Instruments

Electrical

Lighting

Anchor & Dock

Safety

Steering, Controls

Pumps

Fuel System

Seating & Pedestals

Trailering

Tops & Covers

Perform.

Propellers

Engine & Care

Cleaning & Care

Paint & Paint Acc.

Fun & Flotation

Topside Acc.

Cockpit & Deck

Hardware, Fasteners

Camouflage

Misc.

Comm.

Viega MegaPressG - Carbon Steel Fitting System for Gas Applications (cont.)

Viega MegaPressG Coupling with Stop



- For use with Sch. 5 to Sch. 40 carbon steel pipe.
- Carbon steel.
- Press connection.
- Components: HNBR sealing elements.

Order No.	Mfg. No. / Description	List Price	
455980	(25001) 1/2"	\$21.49	HO-9821000
455975	(22009) 3/4"	\$24.69	HO-1841000
455985	(25011) 1"	\$36.49	HO-9812000
455990	(25016) 1-1/4"	\$46.79	HO-7082000
455995	(25021) 1-1/2"	\$63.19	HO-1973000
456000	(25026) 2"	\$91.69	HO-1055000

Viega MegaPressG Extended Coupling - No Stop



- For use with Sch. 5 to Sch. 40 carbon steel pipe.
- Carbon steel.
- Press connection.
- Components: HNBR sealing elements.

Order No.	Mfg. No. / Description	List Price	
456035	(25071) 1/2"	\$73.19	HO-1934000
456040	(25076) 3/4"	\$78.69	HO-1274000
456045	(25081) 1"	\$92.19	HO-1355000
456050	(25086) 1-1/4"	\$99.59	HO-5795000
456055	(25091) 1-1/2"	\$102.29	HO-7316000

Viega MegaPressG Reducer



- For use with Sch. 5 to Sch. 40 carbon steel pipe.
- Carbon steel.
- Press connection.
- Components: HNBR sealing elements.

Order No.	Mfg. No. / Description	List Price	
461996	(25936) 1" x 1/2"	\$32.49	HO-9491000
456330	(25941) 1" x 3/4"	\$32.59	HO-5591000
456335	(25951) 1-1/4" x 1"	\$50.79	HO-7403000
456340	(25956) 1-1/2" x 1-1/4"	\$64.29	HO-7583000
456345	(25966) 2" x 1-1/2"	\$94.49	HO-9665000

Viega MegaPressG Union



- For use with Sch. 5 to Sch. 40 carbon steel pipe.
- Carbon steel.
- Press connection. Ground joint.
- Components: HNBR sealing elements.

Order No.	Mfg. No. / Description	List Price	
456240	(25701) 1/2"	\$126.19	HO-1757000
456245	(25706) 3/4"	\$123.99	HO-9347000
456250	(25711) 1"	\$152.19	HO-1319000
456255	(25716) 1-1/4"	\$196.29	HO-7771100
456260	(25721) 1-1/2"	\$225.99	HO-9553100
456265	(25726) 2"	\$282.79	HO-7696100

Viega MegaPressG Coupling - No Stop



- For use with Sch. 5 to Sch. 40 carbon steel pipe.
- Carbon steel.
- Press connection.
- Components: HNBR sealing elements.

Order No.	Mfg. No. / Description	List Price	
456005	(25031) 1/2"	\$26.19	HO-1751000
456010	(25036) 3/4"	\$29.89	HO-3971000
456015	(25041) 1"	\$41.19	HO-1742000
456020	(25046) 1-1/4"	\$53.29	HO-7913000
456025	(25051) 1-1/2"	\$70.39	HO-3224000
456030	(25056) 2"	\$99.39	HO-3695000

Viega MegaPressG Flange



- For use with Sch. 5 to Sch. 40 carbon steel pipe.
- Carbon steel.
- Press connection.
- Components: HNBR sealing elements.
- Bolt pattern: 4.

Order No.	Mfg. No. / Description	List Price	
456300	(25761) 1/2"	\$147.69	HO-1688000
456305	(25766) 3/4"	\$154.69	HO-1829000
456310	(25771) 1"	\$161.29	HO-7769000
456315	(25776) 1-1/4"	\$169.09	HO-5410100
456320	(25781) 1-1/2"	\$202.19	HO-1312100
456325	(25786) 2"	\$253.69	HO-1225100

Viega MegaPressG Reducer



- For use with Sch. 5 to Sch. 40 carbon steel pipe.
- Carbon steel.
- Street, press connection.
- Components: HNBR sealing elements.

Order No.	Mfg. No. / Description	List Price	
462001	(26006) 1" x 1/2"	\$32.49	HO-9491000

Viega MegaPressG Union



- For use with Sch. 5 to Sch. 40 carbon steel pipe.
- Carbon steel.
- Press connection, female pipe thread.
- Ground joint.
- Components: HNBR sealing elements.

Order No.	Mfg. No. / Description	List Price	
456210	(25651) 1/2"	\$118.99	HO-9317000
456215	(25656) 3/4"	\$116.99	HO-9107000
456220	(25661) 1"	\$143.49	HO-9068000
456225	(25666) 1-1/4"	\$180.59	HO-5380100
456230	(25671) 1-1/2"	\$207.89	HO-3742100
456235	(25676) 2"	\$266.69	HO-1006100

Viega MegaPress XL - Carbon Steel Fitting System for Larger Diameter Pipes

viega

- Viega MegaPress XL is the first and only clean, secure and efficient choice for joining 2-1/2" through 4" carbon steel pipe.
- It is suitable for renovations, repairs or installation of new carbon steel pipe systems.
- Can even be installed on noncombustible/flamable lines that are not completely shut down, eliminating the need to fully drain a system, as well as shortening repair and installation time.
- It is approved for use in hydronic heating, compressed air, fire protection, cooling water applications and many more.
- Suitable for use with ASTM Schedule 5 to Schedule 40 carbon steel pipe.
- Corrosion-resistant zinc-nickel coating.

Viega MegaPress XL 90° Elbow



- For use with Sch. 5 to Sch. 40 carbon steel pipe.
- Carbon steel. Press connection.
- Components: FKM sealing elements.
- Must be installed with MegaPress XL rings and PressBooster.

Order No.	Mfg. No. / Description	List Price	
456410	(26500) 2-1/2"	\$281.09	HO-5686100
456415	(26505) 3"	\$323.09	HO-5839100
456420	(26510) 4"	\$416.79	HO-7005200

Viega MegaPress XL 45° Elbow



- For use with Sch. 5 to Sch. 40 carbon steel pipe.
- Carbon steel.
- Press connection.
- Components: FKM sealing elements.
- Must be installed with MegaPress XL rings and PressBooster.

Order No.	Mfg. No. / Description	List Price	
456440	(26530) 2-1/2"	\$253.99	HO-9325100
456445	(26535) 3"	\$315.69	HO-1498100
456450	(26540) 4"	\$392.99	HO-9753200

Viega MegaPress XL Tee



- For use with Sch. 5 to Sch. 40 carbon steel pipe.
- Carbon steel.
- Press connection.
- Components: FKM sealing elements.
- Must be installed with MegaPress XL rings and PressBooster.

Order No.	Mfg. No. / Description	List Price	
456470	(26560) 2-1/2" x 2-1/2" x 2-1/2"	\$331.89	HO-3199100
456475	(26565) 3" x 3" x 3"	\$413.89	HO-3384200
456480	(26570) 4" x 4" x 4"	\$566.09	HO-5693300

Viega MegaPress XL Adapter



- For use with Sch. 5 to Sch. 40 carbon steel pipe.
- Carbon steel.
- Press connection, female pipe thread.
- Components: FKM sealing element.
- Must be installed with MegaPress XL rings and PressBooster.

Order No.	Mfg. No. / Description	List Price	
456500	(26655) 2-1/2"	\$236.59	HO-5914100
456505	(26660) 3"	\$291.49	HO-9847100
456510	(26665) 4"	\$400.49	HO-9204200

Viega MegaPress XL 90° Street Elbow



- For use with Sch. 5 to Sch. 40 carbon steel pipe.
- Carbon steel. Press connection, street.
- Components: FKM sealing element.
- Must be installed with MegaPress XL rings and PressBooster.

Order No.	Mfg. No. / Description	List Price	
456425	(26515) 2-1/2"	\$281.09	HO-5686100
456430	(26520) 3"	\$323.09	HO-5839100
456435	(26525) 4"	\$416.79	HO-7005200

Viega MegaPress XL 45° Street Elbow



- For use with Sch. 5 to Sch. 40 carbon steel pipe.
- Carbon steel.
- Press connection, street.
- Components: FKM sealing element.
- Must be installed with MegaPress XL rings and PressBooster.

Order No.	Mfg. No. / Description	List Price	
456455	(26545) 2-1/2"	\$253.99	HO-9325100
456460	(26550) 3"	\$315.69	HO-1498100
456465	(26555) 4"	\$392.99	HO-9753200

Viega MegaPress XL Adapter



- For use with Sch. 5 to Sch. 40 carbon steel pipe.
- Carbon steel.
- Press connection, male pipe thread.
- Components: FKM sealing element.
- Must be installed with MegaPress XL rings and PressBooster.

Order No.	Mfg. No. / Description	List Price	
456485	(26640) 2-1/2"	\$265.49	HO-9295100
456490	(26645) 3"	\$335.79	HO-7410200
456495	(26650) 4"	\$393.39	HO-3063200

Viega MegaPress XL Coupling with Stop



- For use with Sch. 5 to Sch. 40 carbon steel pipe.
- Carbon steel.
- Press connection.
- Components: FKM sealing elements.
- Must be installed with MegaPress XL rings and PressBooster.

Order No.	Mfg. No. / Description	List Price	
456515	(26670) 2-1/2"	\$162.49	HO-9479000
456520	(26675) 3"	\$203.49	HO-9022100
456525	(26680) 4"	\$263.89	HO-3385100

- Electronics
- Trolling Motors
- Instruments
- Electrical
- Lighting
- Anchor & Dock
- Safety
- Steering, Controls
- Pumps
- Fuel System
- Seating & Pedestals
- Trailering
- Tops & Covers
- Perform.
- Propellers
- Engine & Care
- Cleaning & Care
- Paint & Paint Acc.
- Fun & Flotation
- Topside Acc.
- Cockpit & Deck
- Hardware, Fasteners
- Camouflage
- Misc.

Viega MegaPress XL - Carbon Steel Fitting System for Larger Diameter Pipes (cont.)

Viega MegaPress XL Coupling - No Stop



- For use with Sch. 5 to Sch. 40 carbon steel pipe.
- Carbon steel.
- Press connection.
- Components: FKM sealing elements.
- Must be installed with MegaPress XL rings and PressBooster.

Order No.	Mfg. No. / Description	List Price	
456530	(26685) 2-1/2"	\$189.79	HO-7831100
456535	(26690) 3"	\$223.89	HO-3343100
456540	(26695) 4"	\$312.59	HO-5578100

Viega MegaPress XL Reducer



- For use with Sch. 5 to Sch. 40 carbon steel pipe.
- Carbon steel.
- Street, press connection.
- Components: FKM sealing element.
- Must be installed with MegaPress XL rings and PressBooster.

Order No.	Mfg. No. / Description	List Price	
456545	(26710) 2-1/2" x 1-1/2"	\$192.09	HO-5251100
456550	(26715) 2-1/2" x 2"	\$192.09	HO-5251100
456555	(26730) 3" x 2"	\$228.49	HO-9073100
456560	(26745) 4" x 2"	\$307.89	HO-3748100
456565	(26750) 4" x 2-1/2"	\$315.69	HO-1498100
456570	(26755) 4" x 3"	\$315.69	HO-1498100

Viega MegaPress XL Cap



- For use with Sch. 5 to Sch. 40 carbon steel pipe.
- Carbon steel.
- Press connection.
- Components: FKM sealing element.
- Must be installed with MegaPress XL rings and PressBooster.

Order No.	Mfg. No. / Description	List Price	
456575	(26760) 2-1/2"	\$204.49	HO-9622100
456580	(26765) 3"	\$255.59	HO-5335100
456585	(26770) 4"	\$345.79	HO-7470200

Viega MegaPress XL Flange



- For use with Sch. 5 to Sch. 40 carbon steel pipe.
- Carbon steel.
- Press connection.
- Components: FKM sealing element.
- Must be installed with MegaPress XL rings and PressBooster.

Order No.	Mfg. No. / Description	List Price	
456590	(26775) 2-1/2"	\$321.69	HO-1039100
456595	(26780) 3"	\$390.79	HO-7443200
456600	(26785) 4"	\$438.89	HO-3336200



Viega MegaPress 316 FKM Fittings

- The industry's first stainless fittings for Schedule 5 to 40 piping systems.
- Suitable for use with hydronic applications, compressed air, industrial gases, marine applications and more.
- Engineered with a 420 stainless steel grip ring plus a 304 stainless steel separator ring for sizes 1/2" to 2" and a PBT separator ring for sizes 2-1/2" to 4".
- Eliminates threading and welding.

Viega MegaPress 45° Elbow



- 316 stainless steel.
- Press connection.
- Components: FKM sealing elements.
- For use with Sch. 5 to Sch. 40 stainless steel pipe.

Order No.	Mfg. No. / Description	List Price	
461971	(91760) 3/4"	\$142.29	HO-7358000
461976	(91765) 1"	\$172.69	HO-1630100
461981	(91775) 1-1/2"	\$287.69	HO-1627100
461986	(91780) 2"	\$364.89	HO-3981200

Viega MegaPress 90° Elbow



- 316 stainless steel.
- Press connection.
- Components: FKM sealing elements.
- For use with Sch. 5 to Sch. 40 stainless steel pipe.

Order No.	Mfg. No. / Description	List Price	
461946	(91700) 3/4"	\$142.29	HO-7358000
461953	(91705) 1"	\$172.69	HO-1630100
461959	(91715) 1-1/2"	\$287.69	HO-1627100
461966	(91720) 2"	\$364.89	HO-3981200

Viega MegaPress Coupling with Stop



- 316 stainless steel.
- Press connection.
- Components: FKM sealing elements.
- For use with Sch. 5 to Sch. 40 stainless steel pipe.

Order No.	Mfg. No. / Description	List Price	
461931	(91110) 1"	\$91.19	HO-1745000
461936	(91120) 1-1/2"	\$117.59	HO-5507000
461941	(91125) 2"	\$148.19	HO-1988000

- Electronics
- Trolling Motors
- Instruments
- Electrical
- Lighting
- Anchor & Dock
- Safety
- Steering, Controls
- Pumps
- Fuel System
- Seating & Pedestals
- Trailer
- Tops & Covers
- Perform.
- Propellers
- Engine & Care
- Cleaning & Care
- Paint & Paint Acc.
- Fun & Flotation
- Topside Acc.
- Cockpit & Deck
- Hardware, Fasteners
- Camouflage
- Misc.



Viega MegaPress Stainless 304 IPS Fittings

- Viega MegaPress stainless press fittings in 304 stainless steel are the industry's first press fittings for Schedule 5 to 40 piping systems.
- Save labor cost and system downtime with press fittings in a wide variety of configurations, available in sizes 1/2" to 4".
- MegaPress stainless 304 with an FKM sealing element is suitable for chemical and higher temperature applications up to 200 psi.
- Engineered with a 420 stainless steel grip ring.
- Eliminate threading and welding.
- Compatible with existing press tools.

Viega MegaPress 90° Elbow



- 304 stainless steel.
- Press connection.
- Components: FKM sealing elements.

Order No.	Mfg. No. / Description	List Price	
455650	(95005) 1/2"	\$81.89	HO-3194000
455655	(95010) 3/4"	\$94.89	HO-3965000
455660	(95015) 1"	\$115.19	HO-1196000
455665	(95020) 1-1/2"	\$191.89	HO-3151100
455670	(95025) 2"	\$243.29	HO-7954100

Viega MegaPress 90° Street Elbow



- 304 stainless steel.
- Press connection, street.
- Components: FKM sealing element.

Order No.	Mfg. No. / Description	List Price	
455675	(95030) 1/2"	\$81.89	HO-3194000
455680	(95035) 3/4"	\$94.89	HO-3965000
455685	(95040) 1"	\$115.19	HO-1196000
455690	(95045) 1-1/2"	\$191.89	HO-3151100
455695	(95050) 2"	\$243.39	HO-3064100

Viega MegaPress 45° Elbow



- 304 stainless steel.
- Press connection.
- Components: FKM sealing elements.

Order No.	Mfg. No. / Description	List Price	
455700	(95055) 1/2"	\$81.89	HO-3194000
455705	(95060) 3/4"	\$94.89	HO-3965000
455710	(95065) 1"	\$115.19	HO-1196000
455715	(95070) 1-1/2"	\$191.89	HO-3151100
455720	(95075) 2"	\$243.29	HO-7954100

Viega MegaPress 45° Street Elbow



- 304 stainless steel.
- Press connection, street.
- Components: FKM sealing element.

Order No.	Mfg. No. / Description	List Price	
455725	(95080) 1/2"	\$81.89	HO-3194000
455730	(95085) 3/4"	\$94.89	HO-3965000
455735	(95090) 1"	\$115.19	HO-1196000
455740	(95095) 1-1/2"	\$191.89	HO-3151100
455745	(95100) 2"	\$243.39	HO-3064100

Viega MegaPress Tee



- 304 stainless steel.
- Press connection.
- Components: FKM sealing elements.

Order No.	Mfg. No. / Description	List Price	
455750	(95105) 1/2" x 1/2" x 1/2"	\$167.69	HO-1600100
455755	(95110) 3/4" x 3/4" x 3/4"	\$187.59	HO-5521100
455760	(95115) 1" x 1" x 1"	\$218.69	HO-1213100
455765	(95120) 1-1/2" x 1-1/2" x 1-1/2"	\$309.19	HO-1558100
455770	(95125) 2" x 2" x 2"	\$365.39	HO-3291200

Viega MegaPress Adapter



- 304 stainless steel.
- Press connection, male pipe thread.
- Components: FKM sealing element.

Order No.	Mfg. No. / Description	List Price	
455775	(95230) 1/2"	\$58.39	HO-3053000
455780	(95240) 3/4"	\$65.79	HO-7493000
455785	(95245) 1"	\$77.69	HO-1664000
455790	(95250) 1-1/2"	\$131.59	HO-5987000
455795	(95255) 2"	\$162.89	HO-3779000

Viega MegaPress Adapter



- 304 stainless steel.
- Press connection, female pipe thread.
- Components: FKM sealing element.

Order No.	Mfg. No. / Description	List Price	
455800	(95260) 1/2"	\$75.99	HO-9554000
455805	(95265) 3/4"	\$85.49	HO-9215000
455810	(95270) 1"	\$100.99	HO-9506000
455815	(95275) 1-1/2"	\$170.99	HO-9520100
455820	(95280) 2"	\$201.69	HO-1012100

Viega MegaPress Coupling with Stop



- 304 stainless steel.
- Press connection.
- Components: FKM sealing elements.

Order No.	Mfg. No. / Description	List Price	
455825	(95285) 1/2"	\$38.99	HO-9332000
455830	(95290) 3/4"	\$48.29	HO-7982000
455835	(95295) 1"	\$61.29	HO-7763000
455840	(95300) 1-1/2"	\$79.09	HO-5474000
455845	(95305) 2"	\$99.59	HO-5795000

- Electronics
- Trolling Motors
- Instruments
- Electrical
- Lighting
- Anchor & Dock
- Safety
- Steering, Controls
- Pumps
- Fuel System
- Seating & Pedestals
- Trailering
- Tops & Covers
- Perform.
- Propellers
- Engine & Care
- Cleaning & Care
- Paint & Paint Acc.
- Fun & Flotation
- Topside Acc.
- Cockpit & Deck
- Hardware, Fasteners
- Camouflage
- Misc.
- Comm.

Viega MegaPress Stainless 304 IPS Fittings (cont.)

Viega MegaPress Coupling - No Stop



- 304 stainless steel.
- Press connection.
- Components: FKM sealing elements.

Order No.	Mfg. No. / Description	List Price	
455850	(95310) 1/2"	\$46.79	HO-7082000
455855	(95315) 3/4"	\$58.49	HO-9053000
455860	(95320) 1"	\$75.69	HO-1454000
455865	(95325) 1-1/2"	\$94.89	HO-3965000
455870	(95330) 2"	\$119.49	HO-9617000

Viega MegaPress Reducer



- 304 stainless steel.
- Press connection.
- Components: FKM sealing elements.

Order No.	Mfg. No. / Description	List Price	
455875	(95335) 3/4" x 1/2"	\$103.19	HO-1916000
455880	(95340) 1" x 3/4"	\$122.59	HO-5537000
455885	(95345) 1-1/2" x 1"	\$164.49	HO-9689000
455890	(95350) 2" x 1-1/2"	\$182.89	HO-3790100

- Electronics
- Trolling Motors
- Instruments
- Electrical
- Lighting
- Anchor & Dock
- Safety
- Steering, Controls
- Pumps
- Fuel System
- Seating & Pedestals
- Trailering
- Tops & Covers
- Perform.
- Propellers
- Engine & Care
- Cleaning & Care
- Paint & Paint Acc.
- Fun & Flotation
- Topside Acc.
- Cockpit & Deck
- Hardware, Fasteners
- Camouflage
- Misc.

Viega MegaPress Cap



- 304 stainless steel.
- Press connection.
- Components: FKM sealing element.

Order No.	Mfg. No. / Description	List Price	
455895	(95390) 1/2"	\$41.89	HO-3152000
455900	(95395) 3/4"	\$49.49	HO-9692000
455905	(95400) 1"	\$66.79	HO-7004000
455910	(95405) 1-1/2"	\$116.89	HO-3107000
455915	(95410) 2"	\$138.09	HO-5828000

Viega MegaPress Flange



- 304 stainless steel.
- Press connection.
- Components: FKM sealing element.

Order No.	Mfg. No. / Description	Bolt Pattern	List Price	
455945	(95440) 1/2"	Bolt Pattern: 4	\$149.49	HO-9698000
455950	(95445) 3/4"	Bolt Pattern: 4	\$178.19	HO-1960100
455955	(95450) 1"	Bolt Pattern: 4	\$224.49	HO-9643100
455960	(95455) 1-1/2"	Bolt Pattern: 4	\$298.49	HO-9097100
455965	(95460) 2"	Bolt Pattern: 4	\$338.59	HO-5130200

Viega MegaPress Union



- 304 stainless steel.
- Press connection.
- Components: FKM flat gasket, FKM sealing elements.

Order No.	Mfg. No. / Description	List Price	
455920	(95415) 1/2"	\$230.09	HO-5083100
455925	(95420) 3/4"	\$264.99	HO-9985100
455930	(95425) 1"	\$324.19	HO-1549100
455935	(95430) 1-1/2"	\$536.89	HO-3122300
455940	(95435) 2"	\$675.49	HO-9250400

Viega MegaPress Reducer



- 304 stainless steel.
- Street, press connection.
- Components: FKM sealing elements.

Order No.	Mfg. No. / Description	List Price	
455892	(95365) 1" x 3/4"	\$104.29	HO-7526000

Viega MegaPress CuNi 90/10 Fittings

viega

- For marine and industrial pipe joining applications.
- Approved for installation in a variety of applications from cooling water to fuel to fire sprinkler.
- A 90/10 copper-nickel alloy that is specifically designed to stand up to the harsh environments of the sea.
- It is the only iron pipe size (IPS) copper-nickel press fitting with a double-press connection, making it the strongest press connection on the market.
- No fire watches, hot work permits or gas freeing.
- For use in installations of Class 200 or Schedule 40 IPS copper nickel pipe.
- Components: FKM sealing elements.
- Makes secure press connections from 1/2" to 2" in seconds.

Viega MegaPress 90° Elbow

Order No.	Mfg. No. / Description	List Price	
462002	(88000) 1/2"	\$109.29	HO-7556000
461726	(88005) 3/4"	\$126.59	HO-5957000
461731	(88010) 1"	\$153.69	HO-1229000
462007	(88015) 1-1/4"	\$198.39	HO-3091100
461736	(88020) 1-1/2"	\$256.09	HO-5635100
461740	(88025) 2"	\$324.69	HO-1849100



MUST BE INSTALLED WITH MEGAPRESS XL RINGS & PRESSBOOSTER/Z3 ACTUATOR

Order No.	Mfg. No. / Description	List Price	
462012	(88030) 2-1/2"	\$523.79	HO-7241300
462017	(88035) 3"	\$601.59	HO-5906300
462372	(88040) 4"	\$747.39	HO-3484400

Viega MegaPress 45° Elbow

Order No.	Mfg. No. / Description	List Price	
462057	(88090) 1/2"	\$109.29	HO-7556000
461746	(88095) 3/4"	\$120.59	HO-5327000
461751	(88100) 1"	\$153.69	HO-1229000
462062	(88105) 1-1/4"	\$198.39	HO-3091100
461756	(88110) 1-1/2"	\$256.09	HO-5635100
461761	(88115) 2"	\$324.69	HO-1849100



MUST BE INSTALLED WITH MEGAPRESS XL RINGS & PRESSBOOSTER/Z3 ACTUATOR

Order No.	Mfg. No. / Description	List Price	
462067	(88120) 2-1/2"	\$481.99	HO-9198200
462072	(88125) 3"	\$556.39	HO-3833300
462077	(88130) 4"	\$689.39	HO-3631400

Viega MegaPress 45° Street Elbow

Order No.	Mfg. No. / Description	List Price	
462082	(88135) 1/2"	\$98.89	HO-3395000
462087	(88140) 3/4"	\$114.49	HO-9686000
462432	(88145) 1"	\$145.99	HO-9578000
462092	(88150) 1-1/4"	\$188.49	HO-9031100
462097	(88155) 1-1/2"	\$231.69	HO-1093100
462102	(88160) 2"	\$308.49	HO-9058100



MUST BE INSTALLED WITH MEGAPRESS XL RINGS & PRESSBOOSTER/Z3 ACTUATOR

Order No.	Mfg. No. / Description	List Price	
462107	(88165) 2-1/2"	\$450.19	HO-1107200
462112	(88170) 3"	\$530.89	HO-3581300
462117	(88175) 4"	\$672.69	HO-1630400

Viega MegaPress 90° Street Elbow

Order No.	Mfg. No. / Description	List Price	
462022	(88045) 1/2"	\$103.79	HO-7226000
462027	(88050) 3/4"	\$114.49	HO-9686000
462417	(88055) 1"	\$145.99	HO-9578000
462032	(88060) 1-1/4"	\$188.49	HO-9031100
462037	(88065) 1-1/2"	\$243.29	HO-7954100
462422	(88070) 2"	\$308.49	HO-9058100



MUST BE INSTALLED WITH MEGAPRESS XL RINGS & PRESSBOOSTER/Z3 ACTUATOR

Order No.	Mfg. No. / Description	List Price	
462042	(88075) 2-1/2"	\$504.19	HO-1520300
462047	(88080) 3"	\$569.59	HO-5714300
462052	(88085) 4"	\$715.89	HO-3592400

Viega MegaPress Tee

Order No.	Mfg. No. / Description	List Price	
462122	(88180) 1/2" x 1/2" x 1/2"	\$223.89	HO-3343100
461766	(88185) 3/4" x 3/4" x 3/4"	\$250.39	HO-3205100
461771	(88190) 1" x 1" x 1"	\$291.89	HO-3157100
462127	(88195) 1-1/4" x 1-1/4" x 1-1/4"	\$349.59	HO-5790200
461776	(88200) 1-1/2" x 1-1/2" x 1-1/2"	\$412.69	HO-1674200
461781	(88235) 2" x 2" x 1/2"	\$504.89	HO-3920300
462142	(88245) 2" x 2" x 1"	\$568.59	HO-5114300
462427	(88205) 2" x 2" x 2"	\$487.69	HO-1629200



MUST BE INSTALLED WITH MEGAPRESS XL RINGS & PRESSBOOSTER/Z3 ACTUATOR

Order No.	Mfg. No. / Description	List Price	
462132	(88210) 2-1/2" x 2-1/2" x 2-1/2"	\$846.39	HO-3870500
462137	(88215) 3" x 3" x 3"	\$974.49	HO-9648500
462147	(88270) 4" x 4" x 3"	\$1,145.89	HO-3578600
462377	(88220) 4" x 4" x 4"	\$1,127.79	HO-7667600

Viega MegaPress Tee - Female Pipe Thread

Order No.	Mfg. No. / Description	List Price	
462152	(88295) 2" x 2" x 3/4"	\$535.99	HO-9512300



MUST BE INSTALLED WITH MEGAPRESS XL RINGS & PRESSBOOSTER/Z3 ACTUATOR

Order No.	Mfg. No. / Description	List Price	
462157	(88315) 4" x 4" x 3/4"	\$1,008.69	HO-1250600

- Electronics
- Trolling Motors
- Instruments
- Electrical
- Lighting
- Anchor & Dock
- Safety
- Steering, Controls
- Pumps
- Fuel System
- Seating & Pedestals
- Trailer
- Tops & Covers
- Perform.
- Propellers
- Engine & Care
- Cleaning & Care
- Paint & Paint Acc.
- Fun & Flotation
- Topside Acc.
- Cockpit & Deck
- Hardware, Fasteners
- Camouflage
- Misc.
- Comm.

Viega MegaPress CuNi 90/10 Fittings (cont.)

Viega MegaPress Adapter - Male Pipe Thread



Order No.	Mfg. No. / Description	List Price	
462162	(88320) 1/2"	\$77.99	HO-9764000
461786	(88325) 3/4"	\$87.79	HO-7625000
461791	(88330) 1"	\$103.69	HO-1226000
462167	(88335) 1-1/4"	\$136.59	HO-5918000
461796	(88340) 1-1/2"	\$175.59	HO-5350100
461801	(88345) 2"	\$217.49	HO-9403100

Viega MegaPress Adapter - Female Pipe Thread



Order No.	Mfg. No. / Description	List Price	
462172	(88350) 1/2"	\$101.39	HO-3806000
461806	(88355) 3/4"	\$114.09	HO-5486000
461811	(88360) 1"	\$134.79	HO-7808000
462177	(88365) 1-1/4"	\$178.49	HO-9070100
461816	(88370) 1-1/2"	\$228.29	HO-7963100
462182	(88375) 2"	\$282.69	HO-1696100

Viega MegaPress Coupling with Stop



Order No.	Mfg. No. / Description	List Price	
462187	(88380) 1/2"	\$49.59	HO-5792000
461821	(88385) 3/4"	\$61.39	HO-3863000
461826	(88390) 1"	\$77.89	HO-3764000
462192	(88395) 1-1/4"	\$88.69	HO-1235000
461831	(88400) 1-1/2"	\$100.49	HO-9206000
461836	(88405) 2"	\$126.59	HO-5957000

Viega MegaPress Coupling - No Stop



Order No.	Mfg. No. / Description	List Price	
462212	(88425) 1/2"	\$59.49	HO-9653000
462217	(88430) 3/4"	\$73.59	HO-5144000
462412	(88435) 1"	\$93.49	HO-9065000
462223	(88440) 1-1/4"	\$105.99	HO-9536000
462227	(88445) 1-1/2"	\$120.59	HO-5327000
462232	(88450) 2"	\$151.89	HO-3119000

MUST BE INSTALLED WITH MEGAPRESS XL RINGS & PRESSBOOSTER/Z3 ACTUATOR

Order No.	Mfg. No. / Description	List Price	
462197	(88410) 2-1/2"	\$367.69	HO-1602200
462202	(88415) 3"	\$406.69	HO-1044200
462207	(88420) 4"	\$534.09	HO-5402300

MUST BE INSTALLED WITH MEGAPRESS XL RINGS & PRESSBOOSTER/Z3 ACTUATOR

Order No.	Mfg. No. / Description	List Price	
462237	(88455) 2-1/2"	\$468.99	HO-9318200
462242	(88460) 3"	\$543.19	HO-1952300
462247	(88465) 4"	\$652.49	HO-9419300

Viega MegaPress Reducer



Order No.	Mfg. No. / Description	List Price	
462392	(88470) 3/4" 1/2"	\$131.09	HO-5687000
462397	(88475) 1" 1/2"	\$159.39	HO-3659000
462402	(88480) 1" 3/4"	\$163.69	HO-1289000
462407	(88495) 1-1/2" 1"	\$219.49	HO-9613100
462252	(88510) 2" 1-1/2"	\$244.09	HO-5464100

Viega MegaPress Street Reducer



Order No.	Mfg. No. / Description	List Price	
462263	(88545) 3/4" 1/2"	\$117.09	HO-5207000
462267	(88550) 1" 1/2"	\$145.79	HO-7478000
462382	(88555) 1" 3/4"	\$132.49	HO-9497000
462272	(88565) 1-1/4" 1"	\$157.59	HO-5549000
462387	(88570) 1-1/2" 1"	\$186.59	HO-5911100
462277	(88580) 2" 1-1/4"	\$214.49	HO-9682100
462282	(88585) 2" 1-1/2"	\$207.49	HO-9442100

MUST BE INSTALLED WITH MEGAPRESS XL RINGS & PRESSBOOSTER/Z3 ACTUATOR

Order No.	Mfg. No. / Description	List Price	
462347	(88515) 2-1/2" 1-1/2"	\$319.49	HO-9619100
462352	(88520) 2-1/2" 2"	\$319.49	HO-9619100
462357	(88525) 3" 2"	\$411.79	HO-7074200
462362	(88530) 3" 2-1/2"	\$443.89	HO-3366200
462367	(88535) 4" 2-1/2"	\$528.19	HO-1961300
462257	(88540) 4" 3"	\$568.29	HO-7904300

MUST BE INSTALLED WITH MEGAPRESS XL RINGS & PRESSBOOSTER/Z3 ACTUATOR

Order No.	Mfg. No. / Description	List Price	
462287	(88590) 2-1/2" 1-1/2"	\$290.49	HO-9247100
462292	(88595) 2-1/2" 2"	\$304.99	HO-9928100
462297	(88600) 3" 2"	\$374.39	HO-3642200
462303	(88605) 3" 2-1/2"	\$403.59	HO-5124200
462307	(88610) 4" 2-1/2"	\$480.19	HO-1188200
462342	(88615) 4" 3"	\$516.69	HO-1001300

Viega MegaPress Union - Male Pipe Thread



• FKM flat gasket.

Order No.	Mfg. No. / Description	List Price	
461841	(88655) 3/4"	\$303.19	HO-1918100
461846	(88660) 1"	\$370.99	HO-9522200
462317	(88665) 1-1/4"	\$487.39	HO-3429200
462437	(88670) 1-1/2"	\$644.99	HO-9968300
461851	(88675) 2"	\$811.49	HO-9868400

- Electronics
- Trolling Motors
- Instruments
- Electrical
- Lighting
- Anchor & Dock
- Safety
- Steering, Controls
- Pumps
- Fuel System
- Seating & Pedestals
- Trailering
- Tops & Covers
- Perform.
- Propellers
- Engine & Care
- Cleaning & Care
- Paint & Paint Acc.
- Fun & Flotation
- Topside Acc.
- Cockpit & Deck
- Hardware, Fasteners
- Camouflage
- Misc.
- Comm.

Viega MegaPress CuNi 90/10 Fittings (cont.)

Viega MegaPress Flange

Order No.	Mfg. No. / Description	List Price
461856	(88680) 1" Bolt Pattern: 4	\$314.59 HO-5788100
462325	(88685) 1-1/4" Bolt Pattern: 4	\$371.39 HO-3822200
461861	(88690) 1-1/2" Bolt Pattern: 4	\$418.39 HO-3015200
461867	(88695) 2" Bolt Pattern: 4	\$474.59 HO-5748200



MUST BE INSTALLED WITH MEGAPRESS XL RINGS & PRESSBOOSTER/Z3 ACTUATOR

Order No.	Mfg. No. / Description	List Price
462327	(88700) 2-1/2" Bolt Pattern: 4	\$813.09 HO-5878400
462333	(88705) 3" Bolt Pattern: 4	\$897.19 HO-1383500
462337	(88710) 4" Bolt Pattern: 8	\$1,181.09 HO-5680700

Viega Standard Press Tool



- For Viega PureFlow press connections 1/2" - 2", Viega ProPress connections 1/2" - 4" and Viega MegaPress connections 1/2" - 4".
- Includes: Ridgid 340 tool, battery, battery charger and hard case.

Order No.	Mfg. No. / Description	List Price
461505	(56024)	\$4,957.39 HO-3447920

Ridgid Standard Jaws and Rings for 1/2" to 2" MegaPress Kit



- Press connections can be made on a "wet" system.
- Flameless system eliminates the need for hot work permits.
- For use with Viega MegaPress, MegaPressG and MegaPress Stainless fittings.

Order No.	Mfg. No. / Description	List Price
462015	(48553)	\$2,862.79 BO-1567520

Ridgid RP 350 Press Tool



- Brushless motor capable of over 100,000 press cycles.
- No scheduled maintenance.
- Endless 360° head swivel for reaching tight spaces.
- Bluetooth connectivity and advanced upgraded color-coded light indicators for easy operation.
- Robust LED lighting for low-light applications.

Order No.	Mfg. No. / Description	List Price
462010	(67063)	\$2,736.09 BO-8426420

Ridgid Rings for ProPress Kit



- Designed in conjunction with the ProPresssystem fittings, ensuring total system compatibility.
- V1 and V2 Kits are designed for use with RIDGID Standard Press Tools.
- Kit includes: Press rings, actuator and carrying case.

Order No.	Mfg. No. / Description	List Price
462020	(27423) V1 Kit - 1/2" - 1-1/4" Ring	\$1,512.39 BO-5116310
462025	(27428) V2 Kit - 1-1/2" - 2" Ring	\$1,017.39 BO-5651900

Ridgid 227S Inner-Outer Reamer



- Hardened steel construction Inner-Outer Reamer includes 45 cutting edges on interior cone allow for fast, clean, inner reaming and outer deburring/beveling of copper and stainless steel tubing.
- Capacity: 1/2" - 2".

Order No.	Mfg. No. / Description	List Price
462030	(29993)	\$76.09 BO-8486000



- Electronics
- Trolling Motors
- Instruments
- Electrical
- Lighting
- Anchor & Dock
- Safety
- Steering, Controls
- Pumps
- Fuel System
- Seating & Pedestals
- Trailer
- Tops & Covers
- Perform.
- Propellers
- Engine & Care
- Cleaning & Care
- Paint & Paint Acc.
- Fun & Flotation
- Topside Acc.
- Cockpit & Deck
- Hardware, Fasteners
- Camouflage
- Misc.

Groco Full-Flow Flanged Safety Seacocks

GROCO.

- Handle has square hole that accepts standard ratchet; helps access hard-to-reach valves, or ease actuation of hard-to-operate valves.
- Side port has a Quick-Release Plug for emergency bilge pumping, and a Service Adaptor for routine winterization and maintenance.
- Full flow. Serviceable while installed.
- C84400 bronze construction.
- Stainless steel ball and stem. PTFE seats and seals.
- Two driver ports permit handle relocation.
- Service adaptor included.



Order No.	Mfg. No.	Bottom Port	Top Port	
S/O	(SBV-1250)	1-1/4" NPS	1-1/4" NPT	Price On Request
S/O	(SBV-1500)	1-1/2" NPS	1-1/2" NPT	Price On Request
S/O	(SBV-2000)	2" NPS	2" NPT	Price On Request
S/O	(SBV-2500)	2-1/2" NPS	2-1/2" NPT	Price On Request
S/O	(SBV-3000)	3" NPS	3" NPT	Price On Request

Groco BV Series Full Flow Flanged Ball Type Seacocks

GROCO.

- 1-1/4" sizes and larger include one grease zerk fitting for lubrication (use only with the valve in the open position), and one drain plug. The zerk can also be used for draining.
- Patented selectable handle rotation.
- Handle has square hole to accept standard ratchet to help reach valves in hard-to-reach locations and ease actuation of difficult to operate valves.
- Full flow.
- C84400 bronze construction.
- Stainless steel ball and stem.
- Tri-flange base and mount hole pattern provide easy retrofit when replacing most popular brands.
- PTFE seats and seals. Serviceable while installed.



Order No.	Mfg. No.	Bottom Connection	Top Connection	List Price	
316011	(BV-0750)	3/4" NPS	3/4" NPT	\$282.29	FO-0679100
316023	(BV-1000)	1" NPS	1" NPT	\$343.99	FO-9704200
316035	(BV-1250)	1-1/4" NPS	1-1/4" NPT	\$438.19	FO-3760300
316047	(BV-1500)	1-1/2" NPS	1-1/2" NPT	\$493.99	FO-9754300
316059	(BV-2000)	2" NPS	2" NPT	\$690.29	FO-0238400
316061	(BV-2500)	2-1/2" NPS	2-1/2" NPT	\$1,160.39	FO-7221800
316073	(BV-3000)	3" NPS	3" NPT	\$1,807.79	FO-5456210
316085	(BV-4000)	4" NPS	4" NPT	\$3,794.69	FO-8265620

Groco VD Series - Duplex Strainers

Groco SE/SEF Series - Large Engine Strainers

GROCO.



Model SEF Series



373934

- For high powered engines with 4", 5" or 6" intake.
- Crystal clear cast acrylic sight glass.
- Cap and basket have replaceable zinc anode protection.
- Low restriction for maximum cooling water flow.
- No inside tie rods.
- Cover unscrews for easy filter basket cleaning.
- O-rings seal all mating surfaces.
- Improved cylindrical filter basket.
- Stainless steel filter basket.
- Bronze construction.

MODEL SE SERIES

- Cylinder diameter 13". Cylinder height 18.4".

Order No.	Mfg. No. / Description	List Price	
373934	(SE-4000) 4" NPT	\$9,553.19	FO-3278660

MODEL SEF SERIES

- Cylinder diameter 16.5". Cylinder height 18.4". Mounting bolts: 3/4".

Order No.	Mfg. No. / Description		
S/O	(SEF-4000) 4" Flange	Price On Request	
S/O	(SEF-5000) 5" Flange	Price On Request	
S/O	(SEF-6000) 6" Flange	Price On Request	

ACCESSORIES

Order No.	Mfg. No. / Description	List Price	
373950	(SE) Repair Kit	\$57.49	FO-4204000
S/O	(SE-4001-A) Cap	Price On Request	
373959	(SE-4003-1) Monel Basket	\$1,327.59	FO-1392900

GROCO.

- When engines or other connected equipment must run continuously, filter basket cleaning is made possible by the dual strainer design.
- An integral valve located between the strainers directs the flow to one filter chamber or the other.
- The in-use filter continues to protect your equipment while the filter not in use may be serviced.
- Crystal clear cast acrylic sight glass.
- Stainless steel filter basket.
- Monel inside tie rod.



Order No.	Mfg. No. / Description	Dimensions (H x W x D)	
S/O	(VD-1250) 1-1/4" NPT	12" x 13" x 6.8"	Price On Request
S/O	(VD-1500) 1-1/2" NPT	14.5" x 16" x 8"	Price On Request
S/O	(VD-2000) 2" NPT	16.5" x 16" x 8"	Price On Request
S/O	(VD-2500) 2-1/2" NPT	17.5" x 17.5" x 8"	Price On Request

SPECIAL HANDLING MAY APPLY



Electronics

Trolling Motors

Instruments

Electrical

Lighting

Anchor & Dock

Safety

Steering, Controls

Pumps

Fuel System

Seating & Pedestals

Trailering

Tops & Covers

Perform.

Propellers

Engine & Care

Cleaning & Care

Paint & Paint Acc.

Fun & Flotation

Topside Acc.

Cockpit & Deck

Hardware, Fasteners

Camouflage

Misc.

Comm.

Groco BS Series Bilge Strainers

GROCO.

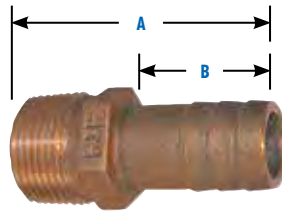


- Provides coarse filtration and prevent large debris in the bilge from entering bilge pumps.
- The NPT thread is for use with straight, 45-degree or 90-degree bronze pipe to hose adaptors.
- Ideal for use with Groco SBV-P Safety Seacocks or SSC Engine Flush Kit.
- C84400 bronze.
- Drilled top holes, cast side slots.
- Mounting ears.

Order No.	Mfg. No.	Threaded NPT	Dimensions	Height	List Price
S/O	(BS-750)	3/4"	1.88" x 2.13"	2"	Price On Request
S/O	(BS-1000)	1"	1.88" x 2.13"	2"	Price On Request
S/O	(BS-1250)	1-1/4"	3.40" x 3.63"	2"	Price On Request
S/O	(BS-1500)	1-1/2"	3.40" x 3.63"	2"	Price On Request
376916	(BS-2000)	2"	5.25" x 3.63"	2"	\$305.39 F0-7731200
S/O	(BS-2500)	2-1/2"	5.25" x 3.63"	2"	Price On Request
376928	(BS-3000)	3"	5.25" x 3.63"	2"	\$309.69 F0-8761200

Groco PTH Series NPT Standard Flow Pipe to Hose Fittings

GROCO.



- Standard flow - the hose ID is the same as the pipe size.
- C83600 Bronze - not compliant with NSF-61 no-lead standard.
- DO NOT use in potable water systems.
- Sizes from 1/2" to 5".
- UL Listed 647B.

Order No.	Mfg. No.	Thread NPT	Hose ID	A	B
371207	(PTH-5062)	1/2"	1/2" or 5/8"	2.7"	1.8"
542046	(PTH-0750)	3/4"	3/4"	2.39"	1.38"
542058	(PTH-1000)	1"	1"	2.48"	1.38"
371384	(PTH-1125)	1-1/4"	1-1/8"	2.48"	1.38"
542060	(PTH-1250)	1-1/4"	1-1/4"	2.65"	1.55"
542072	(PTH-1500)	1-1/2"	1-1/2"	3"	1.9"
542084	(PTH-2000)	2"	2"	3"	1.9"
371423	(PTH-2500)	2-1/2"	2-1/2"	4"	2"
371435	(PTH-3000)	3"	3"	4"	2"

Order No.	Mfg. No.	List Price
371207	(PTH-5062)	\$9.69 F0-8760000
542046	(PTH-0750)	\$10.69 F0-8470000
542058	(PTH-1000)	\$14.79 F0-5301000
371384	(PTH-1125)	\$23.19 F0-3261000
542060	(PTH-1250)	\$25.29 F0-0771000
542072	(PTH-1500)	\$32.49 F0-4722000
542084	(PTH-2000)	\$35.79 F0-5052000
371423	(PTH-2500)	\$70.39 F0-7294000
371435	(PTH-3000)	\$93.49 F0-4456000

Conbraco Bronze Water Gauge

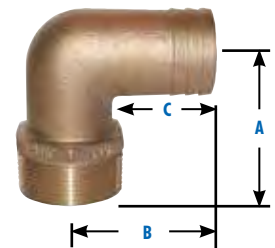


- Ball checks standard on 20-150 models.
- Equipped with two copper guard rods.
- Standard 1/4" needle drain valve in lower arm.
- Pipe size: 1/2".
- Glass: 5/8" OD x 12" length.
- Wheel type: Aluminum.
- CRN Registered OF6616.5C.

Order No.	Mfg. No. / Description	List Price
312948	(20-150-03)	\$220.99 HO-9523100

Groco PTHC Series NPT Standard Flow Pipe to Hose Elbows

GROCO.



- Standard flow - the hose ID that fits is the same as the pipe size.
- C83600 Bronze - not compliant with NSF-61 no-lead standard.
- DO NOT use in potable water systems.
- Sizes from 1/2" to 5".
- UL Listed 647B.

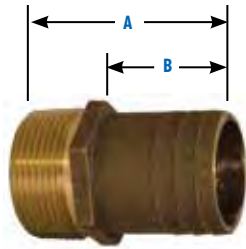
Order No.	Mfg. No.	Thread NPT	Hose ID	A	B	C
371461	(PTHC-5062)	1/2"	1/2" or 5/8"	1.9"	2"	1.56"
541323	(PTHC-0750)	3/4"	3/4"	1.86"	2.05"	1.43"
541335	(PTHC-1000)	1"	1"	2.34"	2.40"	1.63"
541347	(PTHC-1125)	1-1/4"	1-1/8"	2.37"	2.44"	1.75"
371497	(PTHC-1250)	1-1/4"	1-1/4"	2.44"	2.53"	1.38"
541359	(PTHC-1500)	1-1/2"	1-1/2"	2.50"	2.50"	2.25"
371512	(PTHC-2000)	2"	2"	2.88"	3.10"	2.25"
371524	(PTHC-2500)	2-1/2"	2-1/2"	3.83"	3.35"	2.10"
371536	(PTHC-3000)	3"	3"	4.20"	3.55"	2.85"

Order No.	Mfg. No.	List Price
371461	(PTHC-5062)	\$13.79 F0-5690000
541323	(PTHC-0750)	\$16.89 F0-2811000
541335	(PTHC-1000)	\$26.39 F0-7481000
541347	(PTHC-1125)	\$34.49 F0-4142000
371497	(PTHC-1250)	\$37.59 F0-1362000
541359	(PTHC-1500)	\$52.09 F0-6463000
371512	(PTHC-2000)	\$62.59 F0-1834000
371524	(PTHC-2500)	\$107.59 F0-1357000
371536	(PTHC-3000)	\$135.89 F0-2159000

- Electronics
- Trolling Motors
- Instruments
- Electrical
- Lighting
- Anchor & Dock
- Safety
- Steering, Controls
- Pumps
- Fuel System
- Seating & Pedestals
- Trailering
- Tops & Covers
- Perform.
- Propellers
- Engine & Care
- Cleaning & Care
- Paint & Paint Acc.
- Fun & Flotation
- Topside Acc.
- Cockpit & Deck
- Hardware, Fasteners
- Camouflage
- Misc.

Groco FF Series NPT Full Flow Pipe to Hose Fittings

GROCO.



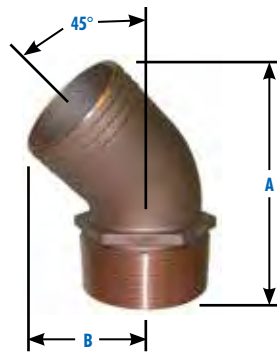
- Full flow - the hose ID that fits is larger than the pipe size.
- C83600 Bronze - not compliant with NSF-61 lead-free standard.
- DO NOT use in potable water systems.
- Sizes from 1/2" to 3".
- UL Listed 647B.

Order No.	Mfg. No.	Thread NPT	Hose ID	A	B
371212	(FF-0500)	1/2"	3/4"	2.28"	1.38"
371219	(FF-0750)	3/4"	1"	2.39"	1.38"
371221	(FF-1000)	1"	1-1/4"	2.48"	1.38"
371227	(FF-1125)	1"	1-1/8"	2.48"	1.38"
371233	(FF-1250)	1-1/4"	1-1/2"	2.65"	1.55"
371245	(FF-1500)	1-1/2"	1-3/4"	3.00"	1.9"
371257	(FF-2000)	2"	2-1/4"	2.89"	1.75"
371259	(FF-2500)	2-1/2"	2-3/4"	3.47"	2"
371263	(FF-3000)	3"	3-1/2"	3.61"	2"

Order No.	Mfg. No. / Description	List Price	
371212	(FF-0500)	\$11.79	FO-5280000
371219	(FF-0750)	\$15.89	FO-2111000
371221	(FF-1000)	\$18.89	FO-2231000
371227	(FF-1125)	\$18.99	FO-9231000
371233	(FF-1250)	\$30.39	FO-7212000
371245	(FF-1500)	\$38.59	FO-1072000
371257	(FF-2000)	\$84.19	FO-3985000
371259	(FF-2500)	\$96.89	FO-2876000
371263	(FF-3000)	\$158.09	FO-6601100

Groco PTHD Series NPT Standard Flow Pipe to Hose Elbows

GROCO.



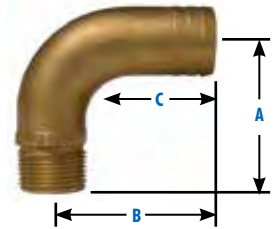
- Standard flow - the hose that fits is the same as the pipe size.
- C83600 Bronze - not compliant with NSF-61 no-lead standard.
- DO NOT use in potable water systems.
- Sizes from 3/4" to 3".
- UL Listed 647B.

Order No.	Mfg. No.	Thread NPT	Hose ID	A	B
371550	(PTHD-0750)	3/4"	3/4"	2.98"	1.58"
371562	(PTHD-1000)	1"	1"	3.15"	1.63"
371574	(PTHD-1250)	1-1/4"	1-1/4"	3.34"	1.68"
371598	(PTHD-2000)	2"	2"	4.12"	2.36"
371613	(PTHD-3000)	3"	3"	6.03"	3.06"

Order No.	Mfg. No. / Description	List Price	
371550	(PTHD-0750)	\$18.99	FO-9231000
371562	(PTHD-1000)	\$23.19	FO-3261000
371574	(PTHD-1250)	\$34.49	FO-4142000
371598	(PTHD-2000)	\$66.69	FO-8664000
371613	(PTHD-3000)	\$132.49	FO-4729000

Groco FFC Series NPT Full Flow Pipe to Hose Elbows

GROCO.



- Full flow.
- 90 degree Male NPT x Hose connection.
- C83600 Bronze - not compliant with NSF-61 lead-free standard.
- DO NOT use in potable water systems.
- Sizes from 1/2" to 3".
- UL Listed 647B.

Order No.	Mfg. No.	Thread NPT	Hose ID	A	B	C
371266	(FFC-0500)	1/2"	3/4"	2.06"	2.25"	1.38"
371269	(FFC-0750)	3/4"	1"	2"	2.2"	1.45"
371271	(FFC-1000)	1"	1-1/4"	2.7"	3"	1.63"
371275	(FFC-1125)	1"	1-1/8"	2.38"	2.44"	1.75"
371283	(FFC-1250)	1-1/4"	1-1/2"	3.6"	3.43"	1.38"
371295	(FFC-1500)	1-1/2"	1-3/4"	4.25"	4.4"	1.78"
371308	(FFC-2000)	2"	2-1/4"	5.4"	5.15"	1.85"
371310	(FFC-2500)	2-1/2"	2-3/4"	6.55"	6"	2"

Order No.	Mfg. No. / Description	List Price	
371266	(FFC-0500)	\$18.89	FO-2231000
371269	(FFC-0750)	\$26.29	FO-0481000
371271	(FFC-1000)	\$38.59	FO-1072000
371275	(FFC-1125)	\$35.59	FO-1942000
371283	(FFC-1250)	\$62.69	FO-8834000
371295	(FFC-1500)	\$80.09	FO-6065000
371308	(FFC-2000)	\$171.89	FO-2302100
371310	(FFC-2500)	\$290.19	FO-3130200

Groco TH Series Thru-Hull Connectors

GROCO.



- NPS thread.
- C83600 Bronze.
- Includes nut.
- UL Listed 647B.

Order No.	Mfg. No. / Description	List Price	
256443	(TH-0500-W) Pipe 1/2" Flange OD 1.70"	\$22.19	FO-3551000
256455	(TH-0750-W) Pipe 3/4" Flange OD 1.90"	\$24.29	FO-0071000
256479	(TH-1000-W) Pipe 1" Flange OD 2.32"	\$34.59	FO-1242000
256493	(TH-1250-W) Pipe 1-1/4" Flange OD 2.62"	\$57.39	FO-7104000
256506	(TH-1500-W) Pipe 1-1/2" Flange OD 2.89"	\$73.99	FO-9715000
256518	(TH-2000-W) Pipe 2" Flange OD 3.33"	\$92.59	FO-1846000
S/O	(TH-4000-W) Pipe 4" Flange OD 7.00"	Price On Request	
S/O	(TH-5000-W) Pipe 5" Flange OD 8.18"	Price On Request	

Groco HTHC Series Thru-Hull Connectors

GROCO.



- 90° barb.
- Polished #316 stainless steel thru hull with bronze hose connection.
- Sizes to accept 3/4" to 1-3/4" ID hose.
- UL Listed 647B.

Order No.	Mfg. No. / Description	List Price	
256380	(HTHC-0750-S) Thread NPS 3/4" Hose ID 3/4"	\$46.89	FO-2823000
256392	(HTHC-1000-S) Thread NPS 1" Hose ID 1"	\$58.29	FO-0804000
256405	(HTHC-1250-S) Thread NPS 1-1/4" Hose ID 1-1/4"	\$91.69	FO-8146000
256417	(HTHC-1500-S) Thread NPS 1-1/2" Hose ID 1-1/2"	\$167.59	FO-1371100
256429	(HTHC-2000-S) Thread NPS 2" Hose ID 1-3/4"	\$151.29	FO-0950100

- Electronics
- Trolling Motors
- Instruments
- Electrical
- Lighting
- Anchor & Dock
- Safety
- Steering, Controls
- Pumps
- Fuel System
- Seating & Pedestals
- Trailering
- Tops & Covers
- Perform.
- Propellers
- Engine & Care
- Cleaning & Care
- Paint & Paint Acc.
- Fun & Flotation
- Topside Acc.
- Cockpit & Deck
- Hardware, Fasteners
- Camouflage
- Misc.
- Comm.

Franklin FBSE Series Self-Priming Centrifugal Pumps



- Cast iron construction with tapped openings for priming, venting and draining.
- Impeller: Semi-open cast iron; ideal for handling fertilizer, salt water, dirty water, and other liquids; blind-hole tapped so liquid will not corrode the shaft.
- Seal: Standard carbon/ceramic faces, FKM elastomers, and 300-series stainless steel components.
- Mechanical seal.
- Motor: Reliable, industry-standard; range of 1/2 - 3 hp; higher than NEMA service factor.
- Clockwise rotation when viewed from motor end.
- Capacities to 126 GPM.
- Heads to 70 feet.
- Maximum working pressure: 75 PSI.
- 212° F (100° C) liquid temperature rating.
- Frequency: 60 Hz.

115V AC/230V AC - SINGLE-PHASE

Order No.	Mfg. No.	Suction/Discharge	Weight	List Price	
496101	(92931007)	3/4 HP 1-1/4" FNPT	42 lbs.	\$1,315.99	GO-1718800
496112	(92931010)	1 HP 1-1/4" FNPT	46 lbs.	\$1,462.19	GO-7697900
496124	(92931015)	1-1/2 HP 2" FNPT	52 lbs.	\$1,674.49	GO-1912110

230V AC - SINGLE-PHASE

Order No.	Mfg. No.	Suction/Discharge	Weight	List Price	
496135	(92931020)	2 HP 2" FNPT	60 lbs.	\$1,878.79	GO-9785210

MECHANICAL SHAFT SEAL

Order No.	Mfg. No. / Description	List Price	
496441	(305463029)	\$78.19	BO-7307000

TOTAL DYNAMIC HEAD IN FEET CAPACITIES IN U.S. GPM

Model #	RPM	HP	20'	30'	40'	50'	60'	70'	80'
FBSE-50-S	3600	1/2	55	46	32	10	0	-	-
FBSE-75-S	3600	3/4	65	50	35	10	0	-	-
FBSE-100-S	3600	1	80	70	60	42	20	-	-
FBSE-150-S	3600	1-1/2	102	78	55	35	8	0	-
FBSE-200-S	3600	2	126	103	80	58	32	10	0
FBSE-300-S	3600	3	138	130	120	100	79	55	25
FBSEF-500	3600	5	265	235	205	165	120	75	20
FBSEF-750	3600	7-1/2	290	270	245	215	170	120	70

Franklin Companion Flange - CF Series



- Fits CF - 1.5A.
- Disc flange: 1-1/2".

Order No.	Mfg. No. / Description	List Price	
496317	(613110)	\$79.98	BO-8917000

LIMITED QUANTITIES

Franklin FBSEF Series Self-Priming Centrifugal Pumps



- Cast iron construction with a large chamber for rapid self priming.
- Impeller: Semi-open cast iron; ideal for handling fertilizer, salt water, dirty water, and other liquids; blind-hole tapped so liquid will not corrode the shaft.
- Seal: Standard carbon/ceramic faces, FKM elastomers, and 300-series stainless steel components.
- Mechanical seal.
- Motor: Reliable, industry-standard; totally-enclosed; fan-cooled TEFC enclosure.
- Clockwise rotation when viewed from motor end.
- Capacities to 295 GPM.
- Heads to 92 feet.
- Maximum working pressure: 75 PSI.
- 212° F (100° C) liquid temperature rating.
- Frequency: 60 Hz.
- 230V AC/460V AC - Three-Phase.

Order No.	Mfg. No. / Description	List Price	
496162	(92934030) 3 HP 2" FNPT 83 lbs.	\$2,621.09	GO-3165710
496174	(92934050) 5 HP 3" FNPT 139 lbs.	\$3,741.29	GO-6660520
496441	(305463029) Mechanical Shaft Seal	\$78.19	BO-7307000

Grundfos Domestic Water Pressure Boosting Pump



- The Grundfos SCALA 1 3-45 volts is a fully integrated, all-in-one self-priming designed for pressure boosting in domestic and light-commercial applications.
- Provided it is filled with water the pump can lift water from a depth of 26' (8m) in less than 5 minutes.
- The SCALA 1 can communicate via built-in Bluetooth to the Grundfos GO app, which enables detailed pump monitoring and high customization options, making this a good pump for any application.
- Self-priming.
- Simple twin pumps set up for larger commercial needs.
- 55 dba (noise level of average modern dishwasher).
- Indoor/outdoor.
- Max. inlet pressure: 3 bar/43 psi.
- Max. pressure: 62 psi, nominal pressure: 35 psi.
- Nominal flow: 15.8 GPM.

Order No.	Mfg. No. / Description	List Price	
496115	(99631742)	\$905.98	AO-8950900



SPECIAL HANDLING MAY APPLY



- Electronics
- Trolling Motors
- Instruments
- Electrical
- Lighting
- Anchor & Dock
- Safety
- Steering, Controls
- Pumps
- Fuel System
- Seating & Pedestals
- Trailer
- Tops & Covers
- Perform.
- Propellers
- Engine & Care
- Cleaning & Care
- Paint & Paint Acc.
- Fun & Flotation
- Topside Acc.
- Cockpit & Deck
- Hardware, Fasteners
- Camouflage
- Misc.
- Comm.

Franklin Submersible Sewage Pump



- All cast iron construction.
- Oil-filled motor with double ball bearing capacitor start designed for high torque.
- Designed for continuous duty.
- Discharge 2" NPT.
- Handles solids up to 2" diameter.
- Power cord sealed at motor housing.
- 120° F (49° C) liquid temperature rating.
- Phase: 1. 60 Hz.
- Switch Type/Operation: Manual.
- Shut-off: 29'.
- 115V AC.
- 1/2 HP.
- CSA approved.

- Electronics
- Trolling Motors
- Instruments
- Electrical
- Lighting
- Anchor & Dock
- Safety
- Steering, Controls
- Pumps
- Fuel System
- Seating & Pedestals
- Trailer
- Tops & Covers
- Perform.
- Propellers
- Engine & Care
- Cleaning & Care
- Paint & Paint Acc.
- Fun & Flotation
- Topside Acc.
- Cockpit & Deck
- Hardware, Fasteners
- Camouflage
- Misc.
- Comm.

LIMITED QUANTITIES

Order No.	Mfg. No. / Description	List Price	
496225	(620524)	\$1,652.79	G0-7370110
496218	(639643) Float Switch	\$57.69	F0-8304000

TOTAL HEAD IN FEET

	5'	10'	15'	20'	25'	30'
496225 (WS51M)	-	128	97	68	32	-

CAPACITIES IN U.S. GPM

496225 (WS51M)	-	128	97	68	32	-
----------------	---	-----	----	----	----	---

Franklin 6EC Series Submersible Sump and Light Effluent Pump



- Designed of heavy duty cast iron construction for durability in the handling of dewatering, water transfer and light effluent applications.
- Cast iron construction.
- Designed for continuous duty.
- Single-Phase.
- Thermal overload protection.
- 140° F (60° C) liquid temperature rating.
- Switch Type/Operation: Integral snap-action float.
- Handles solids up to 1/2" diameter.
- Frequency: 60 Hz.
- Discharge 1-1/2" FNPT.
- Shut-off: 28'.
- 1/3 HP.
- Maximum flow rate: 53 GPM, minimum flow rate: 2 GPM.
- Cord length: 10'.
- 115V AC.
- CSA approved.

PERFORMANCE

Head	GPM (LPM)
5'	53 (200.6)
10'	50 (189.3)
15'	42 (159)
20'	34 (128.7)

Order No.	Mfg. No. / Description	List Price	
496191	(506807)	\$446.69	G0-8299200

Franklin Submersible Sewage Pump



- All cast iron construction.
- Oil-filled motor with double ball bearing capacitor start designed for high torque.
- Designed for continuous duty.
- Single-Phase.
- Thermal overload protection.
- 120° F (49° C) liquid temperature rating.
- Switch Type/Operation: Manual.
- Handles solids up to 2" diameter.
- Frequency: 60 Hz.
- Discharge 2" FNPT.
- Shut-off: 29'.
- 1/2 HP.
- Maximum flow rate: 128 GPM, minimum flow rate: 10 GPM.
- Cord length: 30'.
- 115V AC.
- CSA approved.

PERFORMANCE

Head	GPM (LPM)
5'	-
10'	128 (484.5)
15'	97 (367.2)
20'	68 (257.4)
25'	32 (121.1)

NEW PRODUCT

Order No.	Mfg. No. / Description	List Price	
496226	(620254) WS52HM	\$1,988.79	G0-9423310

Franklin 10EC Series Submersible Sump and Light Effluent Pump



- Effluent wastewater removal, dewatering, water transfer.
- Cast iron construction.
- Designed for continuous duty.
- Single-Phase.
- Thermal overload protection.
- 140° F (60° C) liquid temperature rating.
- Switch Type/Operation: Integral snap-action float.
- Handles solids up to 1/2" diameter.
- Frequency: 60 Hz.
- Discharge 1-1/2" FNPT.
- Shut-off: 36'.
- 1/2 HP.
- Maximum flow rate: 67 GPM, minimum flow rate: 5 GPM.
- Cord length: 20'.
- 115V AC.
- CSA approved.

PERFORMANCE

Head	GPM (LPM)
5'	67 (253.6)
10'	57 (215.8)
15'	53 (200.6)
20'	47 (177.9)
25'	28 (106)

Order No.	Mfg. No. / Description	List Price	
446217	(510802)	\$782.59	G0-4342500

SPECIAL HANDLING MAY APPLY



Franklin Water Pressure Systems

- For installations where the vertical distance from the pump to the pumping water level does not exceed 25 feet.
- Cast iron casting and seal plate for durability and long life.
- Designed for continuous duty.
- Single-Phase.
- Thermal overload protection.
- Max PSIG: 65 PSI.
- Suction: 1-1/4" FNPT, discharge 1" FNPT.
- Pressure gauge included.
- Stainless steel motor shaft and dual ball bearings.
- Precision-engineered thermoplastic impeller, diffuser, nozzle and venturi.
- Clean-out plug to easily unclog nozzle.
- 115V AC/230V AC.
- Standard pressure pump only.



Order No.	Mfg. No. / Description	HP	List Price	Part No.
496201	(558275MJS75) JP-075-C	3/4	\$1,028.89	GO-6398600
496194	(558276MJS100) JP-100-C	1	\$962.29	GO-3744600

Model No.	HP	Total Suction Lift (ft/m)	Pump Capacity GPM Discharge Pressure in PSI										Max. Pressure in PSI
			20	25	30	35	40	45	50	55	60	65	
JPH-50-C	1/2	5 (1.5)	8.8	8.9	8.6	8.4	8.3	8.1	7.4	6.0	4.7	-	80.6
JPH-50-C	1/2	10 (3.1)	7.8	7.7	7.55	7.4	7.25	7.2	6.6	5.4	4.15	-	78.5
JPH-50-C	1/2	15 (4.6)	6.5	6.4	6.3	6.2	6.1	6.0	5.3	4.8	3.6	-	76.3
JPH-50-C	1/2	20 (6.1)	5.3	5.2	5.1	4.9	4.8	4.7	4.6	4.1	2.9	-	74.1
JPH-50-C	1/2	25 (7.6)	3.7	3.65	3.6	3.55	3.5	3.5	3.45	2.4	2.3	-	71.9
JP-075-C	3/4	5 (1.5)	16.2	16	15.8	15.6	15.4	12.1	8.7	5.7	2.9	-	65.0
JP-075-C	3/4	10 (3.1)	14.3	14	13.7	13.5	13.2	10.6	7.6	4.6	1.6	-	62.8
JP-075-C	3/4	15 (4.6)	12.1	11.7	11.3	11.0	10.6	9.3	6.3	3.2	0.2	-	60.6
JP-075-C	3/4	20 (6.1)	9.9	9.6	9.3	9.0	8.7	7.8	4.8	1.9	-	-	58.5
JP-075-C	3/4	25 (7.6)	7.2	7.1	7.0	6.9	6.8	6.7	3.5	0.6	-	-	56.3
JP-100-C	1	5 (1.5)	24.8	24.7	23.2	19.8	16.5	13.1	9.5	6.3	3.4	0.5	66.2
JP-100-C	1	10 (3.1)	21.5	21.2	20.1	18.4	15.2	11.5	7.9	4.9	2.4	-	64.2
JP-100-C	1	15 (4.6)	18.1	17.8	17.4	16.7	13.8	10.3	6.9	4.0	1.3	-	62.1
JP-100-C	1	20 (6.1)	14.4	14.3	14.2	14.6	12.3	9.0	5.3	2.3	0.2	-	60.1
JP-100-C	1	25 (7.6)	10.5	10.5	10.4	10.3	8.8	7.0	4.2	1.3	-	-	57.2

Jabco Large Pressurized Accumulator Tank



- Will smooth flow from faucets and shower, reducing pump cycling and eliminating pulsations and water hammer.
- Water is totally separated from air chamber by a diaphragm and polypropylene tank liner.
- Mounts horizontally, vertically or even upside down.
- May be fine tuned to cut-in pressure of pump.
- Port: 3/4" NPT (male).
- Diameter 8", height 12-5/8".
- Pre-pressurized to 20 PSI. Maximum working pressure 100 PSI.
- Includes brackets and band clamps.
- 2 Gallons.

Order No.	Mfg. No. / Description	List Price	Part No.
414641	(18810-0000)	\$400.19	GO-3186200

Groco Pressure Storage Tanks



- A pneumatic pressure charge, matched to the pump cut on pressure prevents water logging by separating the air charge from system water pressure with a rubber bladder.
- Pipe connection: 3/4" NPT.
- The result is smooth pressure delivery, even temperature mix in showers, and reduced pump cycling.
- May be used for fresh or salt water.
- Tanks may be mounted in any position and anywhere in the cold water plumbing after the pump.
- Mount hardware is included.

* Drawdown is measured with 20 PSI air charge and with 40 PSI system water pressure.

Order No.	Mfg. No.	Volume	Diameter	Length	Drawdown*	List Price	Part No.
375143	(PST-1)	2 Gal.	8"	13"	.5 Gal.	\$279.69	F0-8759100
S/O	(PST-2)	4.4 Gal.	11"	14"	1.4 Gal.	Price On Request	
375154	(PST-3A)	10.3 Gal.	15"	19"	3 Gal.	\$1,062.69	F0-8834700
S/O	(PST-4)	14 Gal.	15"	24"	4.4 Gal.	Price On Request	

- Electronics
- Trolling Motors
- Instruments
- Electrical
- Lighting
- Anchor & Dock
- Safety
- Steering, Controls
- Pumps
- Fuel System
- Seating & Pedestals
- Trailer
- Tops & Covers
- Perform.
- Propellers
- Engine & Care
- Cleaning & Care
- Paint & Paint Acc.
- Fun & Flotation
- Topside Acc.
- Cockpit & Deck
- Hardware, Fasteners
- Camouflage
- Misc.
- Comm.

March Seal-Less Magnetic Drive Pumps



496629



496631 / 496643



496655 / 496667



496679 / 496681

- For use submerged or in damp environments.
- Magnetic drive - no shaft seal to wear, leak, or replace.
- Extremely low energy consumption.
- March epoxy encapsulated circulating pumps with seal-less magnetic drive offer the ultimate in reliability.
- These versatile pumps are widely used on commercial and pleasure craft for recirculating sea water and for air conditioning and refrigeration.
- All models can be run in open air or submerged except model AC-5C-MD, which must be in a dry environment.
- All centrifugal pumps require a flooded inlet (suction side of pump).

SUBMERSIBLE PUMPS - 1 PHASE

Order No.	Mfg. No.			List Price	
496629	(LC-2CP-MD)	115 volt	50/60 Hz	\$512.59	FO-1885300
496643	(LC-3CP-MD)	115 volt	60 Hz	\$534.89	FO-2447300
496631	(LC-3CP-MD)	230 volt	60 Hz	\$564.59	FO-1259300
496655	(LC-5C-MD)	115 volt	50/60 Hz	\$1,663.99	FO-9746110
496667	(LC-5C-MD)	230 volt	50/60 Hz	\$1,609.89	FO-2962110

NON-SUBMERSIBLE PUMPS - AIR COOLED - 1 PHASE

Order No.	Mfg. No.			List Price	
496679	(AC-5C-MD)	115 volt	50/60 Hz	\$620.89	FO-2643400
496681	(AC-5C-MD)	230 volt	50/60 Hz	\$661.19	FO-3826400

Model No.	Max. Flow	Max. Head	Inlet	Outlet	HP	RPM	Volts	Phase	Hz	Watts	Amp	Motor Type	Elec. Connection	Weight Packed
LC-2CP-MD	5 GPM	13'	3/8" FPT	1/4" MPT	0.02	3,450	115	1	50/60	-	0.92	TE/SUB	6 ft. SJT	5 lbs.
LC-3CP-MD	8.5 GPM	19'	3/4" FPT	1/2" MPT	0.05	3,450	115	1	60	-	2.0	TE/SUB	6 ft. SJT	8.5 lbs.
LC-3CP-MD-230	8.5 GPM	19'	3/4" FPT	1/2" MPT	0.05	3,450	230	1	60	-	1.0	TE/SUB	6 ft. SJT	8.5 lbs.
LC-5C-MD	14.5 GPM	27'	1" FPT	1/2" MPT	0.125	3,450	115	1	50/60	-	1.6	TE/SUB	6 ft. SJT	18 lbs.
LC-5C-MD-230	14.5 GPM	27'	1" FPT	1/2" MPT	0.125	3,450	230	1	50/60	-	0.9	TE/SUB	6 ft. SJT	18 lbs.
AC-5C-MD	17 GPM	27'	1" FPT	1/2" MPT	0.125	3,450	115	1	50/60	-	2.1	TEFC	Conduit Box	9.5 lbs.
AC-5C-MD-230	17 GPM	27'	1" FPT	1/2" MPT	0.125	3,450	230	1	50/60	-	1.0	TEFC	Conduit Box	9.5 lbs.

Honda General Purpose Water Pump

- Easy starting Honda OHV commercial engine: The durable Honda GX series commercial grade engine is easy starting and provides ample power for the toughest conditions.
- Heavy duty full frame protection.
- 4 vane high efficiency impeller.
- Durable silicon carbide mechanical seal.
- Cast iron volute.

- Isolation mounted engine and pump.
- Protected by Honda Oil Alert: Protects the pump by shutting the engine off when low oil is detected.
- Larger strainer. The strainer allows up to 5/16" (8 mm) solids to pass through, helping to prevent clogging.

Honda WB20 General Purpose Water Pump



- Engine: GX120.
- Displacement: 118cc.
- Bore and stroke: 2.4" x 1.7".
- Compression ratio: 8.5:1.
- Pump type: Centrifugal, self-priming.
- Priming time: 110 sec @ 16.4 ft.
- Discharge capacity: 164 gal/min.
- Suction port diameter: 2" NPT.
- Discharge port diameter: 2" NPT.
- Total head lift: 105 ft.
- Suction head lift: 25 ft.
- Maximum pressure: 45 psi.
- Dimensions: 19.3" L x 14.4" W x 16.5" H.
- Fuel capacity: 0.53 gal.
- Run time @ max discharge: 1.7 hr.

Honda WB30 General Purpose Water Pump



- Engine: GX160.
- Displacement: 163cc.
- Bore and stroke: 2.7" x 1.8".
- Compression ratio: 9.0:1.
- Pump type: Centrifugal, self-priming.
- Priming time: 150 sec @ 16.4 ft.
- Discharge capacity: 290 gal/min.
- Suction port diameter: 3" NPT.
- Discharge port diameter: 3" NPT.
- Total head lift: 85 ft.
- Suction head lift: 25 ft.
- Maximum pressure: 37 psi.
- Dimensions: 20.1" L x 15.2" W x 17.9" H.
- Fuel capacity: 0.82 gal.
- Run time @ max discharge: 1.9 hr.

Order No.	Mfg. No. / Description	List Price	
401003	(WB20XT4A)	\$618.00	BO-0265500

Order No.	Mfg. No. / Description	List Price	
401006	(WB30XT3A)	\$880.00	BO-0029700

- Electronics
- Trolling Motors
- Instruments
- Electrical
- Lighting
- Anchor & Dock
- Safety
- Steering, Controls
- Pumps
- Fuel System
- Seating & Pedestals
- Trailer
- Tops & Covers
- Perform.
- Propellers
- Engine & Care
- Cleaning & Care
- Paint & Paint Acc.
- Fun & Flotation
- Topside Acc.
- Cockpit & Deck
- Hardware, Fasteners
- Camouflage
- Misc.



AIRVAC Retro-Fit Kit

The AIRVAC Retro-Fit Kit is a specially designed replacement solution.

The AIRVAC Retro-Fit Kit will replace the internal components of most vacuum toilets available in the market today. The AIRVAC Retro-Fit Kit consists of the same reliable components used in AIRVAC vacuum toilets. These pre-assembled components offer an easy to install packaged unit.

Older vacuum toilets that have hard to find or expensive repair parts can easily be converted without replacing the entire toilet. Each kit comes with a one year warranty against all manufacturer defects and will provide excellent service for many years to come.

Benefit from our quality and experience:

- Easy access to service and parts.
- Valve will pass a full 1.5" solid.
- Small tubing connections are eliminated.
- Adjustable water and air cycles.
- Fits most vacuum toilets, china or stainless steel.
- Simple design with fewer parts.

No Project too big or too small.

As the world leader in vacuum sewer technology, AIRVAC continues to pride itself on service and support. With our 40 years of experience, we have developed and fine-tuned our products to meet any vacuum application goals. We have provided modernized vacuum collection systems to clients in 29 U.S. states, 32 countries and 5 continents. We look forward to the opportunity to work with you, please contact us for a free budget estimate.

Operational Data.

Operational Vacuum Range: 10 - 20 InHg

Recommended Vacuum: 16 - 20 InHg

Water Pressure: 40 - 60 PSI

Water Consumption: .3 Gallon Per Flush



Electronics

Trolling
Motors

Instruments

Electrical

Lighting

Anchor
& Dock

Safety

Steering,
Controls

Pumps

Fuel
SystemSeating &
Pedestals

Trailering

Tops &
Covers

Perform.

Propellers

Engine
& CareCleaning
& CarePaint &
Paint Acc.Fun &
FlotationTopside
Acc.Cockpit
& DeckHardware,
Fasteners

Camouflage

Misc.

Comm.

Atlantic Ultraviolet Purification Systems



Model S37C
12 GPM

Maximum Concentration Levels Before Ultraviolet

Turbidity	5 NTU
Suspended Solids	10 mg/L
Color	None
Iron	0.3 mg/L
Manganese	0.05 mg/L
pH	6.5 - 9.5
Hardness	6 gpg

Effectively treating water with higher concentration levels than listed above can be accomplished, but may require added measures to improve water quality to treatable levels.

Model	Gallons per Minute	Gallons per Hour	Inlet and Outlet	Replacement Lamps	Power Consumption	Unit Dimensions (Inches)			Shipping Data (lbs.)	
						Length	Width	Height	Gross Wt.	Net Wt.
S17A	3	180	3/4" NPT	05-1098-R	18 Watts	19 3/4"	4 1/2"	8 3/4"	11	8
S23A	6	360	3/4" NPT	05-1097-R	25 Watts	25 3/4"	4 1/2"	8 3/4"	14	12
*S37C	12	720	1" NPT	05-1343-R	48 Watts	39 3/4"	5 1/2"	9 1/2"	30	25
S50C	20	1,200	1-1/2" NPT	05-1334-R	65 Watts	52 3/4"	5 1/2"	9 1/2"	36	29
*S2400C	40	2,400	2" NPT	05-1311-R	140 Watts	52 3/4"	6 3/4"	11 1/2"	49	36

- ① All inlets and outlets are male pipe threads.
- ② Total power consumption including ballast loss.

- Maximum recommended operating pressure for all purifiers is 100 PSI.
- Pressure drop at maximum recommended flow rate is 5 PSI or less.
- Flow rates are based on Maximum Concentration Levels.
- 120 Volt and 220 Volt units are standard.
- 12 and 24 Volt units are also available.
- **SANITRON®** is available for operation on public power supplied throughout the world.
- Consult factory with specific power requirements.

* CE Compliant version available.

- Electronics
- Trolling Motors
- Instruments
- Electrical
- Lighting
- Anchor & Dock
- Safety
- Steering, Controls
- Pumps
- Fuel System
- Seating & Pedestals
- Trailer
- Tops & Covers
- Perform.
- Propellers
- Engine & Care
- Cleaning & Care
- Paint & Paint Acc.
- Fun & Flotation
- Topside Acc.
- Cockpit & Deck
- Hardware, Fasteners
- Camouflage
- Misc.



Model MP36C
12 GPM

Maximum Concentration Levels Before Ultraviolet

<i>Turbidity</i>	5 NTU
<i>Suspended Solids</i>	10 mg/L
<i>Color</i>	None
<i>Iron</i>	0.3 mg/L
<i>Manganese</i>	0.05 mg/L
<i>pH</i>	6.5 - 9.5
<i>Hardness</i>	6 gpg

Effectively treating water with higher concentration levels than listed above can be accomplished, but may require added measures to improve water quality to treatable levels.

Model	Gallons per Minute	Gallons per Hour	Inlet and Outlet ^①	Replacement Lamps	Power Consumption ^②	Unit Dimensions (Inches)			Shipping Data (lbs.)	
						Length	Width	Height	Gross Wt.	Net Wt.
MP16A	3	180	3/4" NPT	05-1098-R	18 Watts	16 1/2	4 3/4	8 3/4	10	9
MP22A	6	360	3/4" NPT	05-1097-R	25 Watts	22 1/2	4 3/4	8 3/4	13	11
* MP36C	12	720	1" NPT	05-1343-R	48 Watts	36 1/2	5 1/4	9 1/2	30	25
MP49C	20	1,200	1-1/2" NPT	05-1334-R	65 Watts	49 1/2	5 1/4	9 1/2	34	29

- ① All inlets and outlets are male pipe threads.
② Total power consumption including ballast loss (approximate).

- Maximum recommended operating pressure for all purifiers is 100 PSI
- Pressure drop at maximum recommended flow rate is 5 PSI or less
- Flow rates are based on Maximum Concentration Levels
- All data shown reflects 120 Volt 50/60 Hz operation
- **MIGHTYPURE**® units are also available in 220 Volt 50/60 Hz and 12 and 24 Volt DC
- **MIGHTYPURE**® is available for operation on public power supplied throughout the world
- Consult factory with specific power requirements

* CE Compliant version available.

- Electronics
- Trolling Motors
- Instruments
- Electrical
- Lighting
- Anchor & Dock
- Safety
- Steering, Controls
- Pumps
- Fuel System
- Seating & Pedestals
- Trailering
- Tops & Covers
- Perform.
- Propellers
- Engine & Care
- Cleaning & Care
- Paint & Paint Acc.
- Fun & Flotation
- Topside Acc.
- Cockpit & Deck
- Hardware, Fasteners
- Camouflage
- Misc.

CERTIFIED to latest IMO MEPC 107(49) STANDARD 107 MODELS



Model 11T/107: 11 GPM (2.5 m3/hr)
(For Ships 4,000-15,000 GT)



Model 5T/107: 5 GPM (1.1 m3/hr)
(For Ships 1,600-4,000 GT)



Model 2.2T/107: 2.2 GPM (0.5 m3/hr)
(For Ships 400-1,600 GT)



Model 25T/107: 25 GPM (5.7 m3/hr)
(For Ships 15,000 GT+ and Rigs)



Model 45T/107: 45 GPM (10.2 m3/hr)
(For Rigs and Larger Ships)

- Electronics
- Trolling Motors
- Instruments
- Electrical
- Lighting
- Anchor & Dock
- Safety
- Steering, Controls
- Pumps
- Fuel System
- Seating & Pedestals
- Trailing
- Tops & Covers
- Perform.
- Propellers
- Engine & Care
- Cleaning & Care
- Paint & Paint Acc.
- Fun & Flotation
- Topside Acc.
- Cockpit & Deck
- Hardware, Fasteners
- Camouflage
- Misc.
- Comm.

Specifications	2.2 GPM	5 GPM	11 GPM	25 GPM	45 GPM
Height (inch/cm)	56 (142)	58 (147)	77 (195)	80 (203)	85 (216)
Width (inch/cm)	27 (69)	32 (81)	39 (99)	47 (119)	54 (137)
Depth (inch/cm)	42 (106)	48 (121)	58 (147)	78 (198)	100 (254)
Dry Weight (lbs./kilogram)	480 (218)	775 (351)	1,275 (578)	2,475 (1,123)	3,875 (1,758)
Wet Weight (lbs./kilogram)	660 (299)	1,200 (544)	2,225 (1,009)	4,695 (2,130)	8,580 (3,892)
Capacity gpm/M3/hr	2.2 (0.5)	5 (1.1)	11 (2.5)	25 (5.7)	45 (10.2)
Pipe Connections In/Out	3/4" - 1/2"	1" - 3/4"	1" - 3/4"	1-1/2" - 1-1/2"	2" - 1-1/2"

BOSS Oily Water Separators



Specifications	Value	Advantage
IMO MEPC Compliance	107 (49)	Meets Latest Requirement
Expected Oil in Discharge Water (independent tests)	Less than 3.2 PPM by independent test	Far exceeds the required 15ppm. Great for the Environment
Emulsion Removal Method	High Capacity Filtration	Simpler/more trouble free than membranes
Expected Filtration Media Life	1 Year	Extra long lasting without bypassing
Water Discharge Pressure	90 ft. of Head	Designed for any situation
Oil Discharge Pressure	Makeup Water Pressure	Determined by makeup water
Oil Discharge Valve	Standard Check Valve	Optional MOV where Positive Head
Control System Type	Solid Circuit	Increased Reliability - No PLC Trouble
Control System Interface	6 dry contacts	Easy to interface with ship controls
Test PSIG	45	Quality Construction
Operating Temp Range	1-55 C	Generally not affected by temperature
Max Free Oil Concentration	35%	Large temporary slugs of oil up to 100%
Oil in Water Discharge with TPH	<15 ppm	Can be set to 1-15 ppm
Single Phase Power Options	110/120 vac 220 vac	Any power option 1 phase
Three Phase Power Options	210/220 vac 380/415 vac 460/480 vac 575/600 vac	3 phase options to 600VAC
Frequency	50 or 60 Hz	Either frequency no problem
Max Amperage	3.3-7.7 amps	Recommend 15 amp circuit
Max Turbidity for Accurate TPH Reading	35 NTU standard	High Turbidity Options Available
Design Negative Inlet Head (Ft/M)	12 ft./3 M	High Lift 5 Meter Option Available
Level Sensor	Conductance	Highly Reliable - Trouble Free
Pump	Centrifugal w SS Housing discharge side of separator	Highly Reliable - No emulsions created pump on the
Coalescing Media	Polypropylene/HDPE	Excellent Coalescing - Very Efficient
Vessel Metallurgy	Carbon Steel	Marine Coated
Coating Specification	Epoxy/Urethane	Highest Quality Coating
Skid/Drip Pan	Standard without skid	Skid or Drip Pan Optional
Piping and Manual Valves	Bronze/Red Brass	Excellent

Mini BOSS Oily Water Separator

IMO 107(49) CERTIFIED OIL WATER BILGE FILTER FOR LOW FLOWS

- IMO Certified oil content monitor with 19 month data logging.
- Flow rate: 0.25 - 0.45 m³/hr (1-2 gpm).
- Electric diaphragm pump at 50 psi.
- Fine solids and oil removal by simple filtration.
- Large capacity oil removal filters.
- Less than 5 PPM oil discharge.

Specifications	Mini BOSS	Mini BOSS-110
Dimensions	30" W x 40" H	34" W x 40" H
Dry Weight (lbs./kilogram)	82 (37)	83 (38)
Capacity gpm/M3/hr	1 (0.25)	2 (0.45)
Depth (inch/mm)	10 (254)	10 (254)



Electronics

Trolling Motors

Instruments

Electrical

Lighting

Anchor & Dock

Safety

Steering, Controls

Pumps

Fuel System

Seating & Pedestals

Trailering

Tops & Covers

Perform.

Propellers

Engine & Care

Cleaning & Care

Paint & Paint Acc.

Fun & Flotation

Topside Acc.

Cockpit & Deck

Hardware, Fasteners

Camouflage

Misc.

Comm.

FCI Watermakers Aquamiser+ (250-1,800 GPD)



The Aquamiser Plus Series offers programmable settings and remote display capability through an advanced control marine reverse osmosis system. This value-driven solution is ideal for smaller water production needs. With outputs of 250 to 1800 GPD, the Aquamiser Plus marine watermaker will provide the safety and controls needed to operate both dependably and efficiently. These marine reverse osmosis systems are available in framed and modular configurations to be utilized in tight spaces and bulkheads. Small only in size, the Aquamiser Plus marine R/O unit features extensive controls, including a fully automatic fresh water flush system for unattended maintenance. Scheduled weekly or biweekly flushes will help keep your marine water maker fresh and ready for your next voyage.

- Electronics
- Trolling Motors
- Instruments
- Electrical
- Lighting
- Anchor & Dock
- Safety
- Steering, Controls
- Pumps
- Fuel System
- Seating & Pedestals
- Trailer
- Tops & Covers
- Perform.
- Propellers
- Engine & Care
- Cleaning & Care
- Paint & Paint Acc.
- Fun & Flotation
- Topside Acc.
- Cockpit & Deck
- Hardware, Fasteners
- Camouflage
- Misc.
- Comm.

STANDARD FEATURES

- Staged starting of motors.
- Timed start-up (Prime, Init, Run).
- TDS monitoring of product water.
- Automatic diverting of water above 500 PPM.
- Programmable Fresh Water Flush for automatic and weekly operation; or, convenient one-touch button for manual operation.
- Overpressure protection (HP fault).
- Loss of Prime/Fouled Filter detection (LP fault).

AQUAMISER PLUS SERIES MODELS

Order No.	Framed	Modular	GPD/LPD	GPH/LPH	HP	KW
S/O	A216S	AM216S	250/946	10/39	1.5	1.50
S/O	A516S	AM516S	500/1892	21/79	1.5	1.50
S/O	A616S	AM616S	600/2270	25/95	1.5	1.50
S/O	A816S	AM816S	800/3027	33/126	1.5	1.50
S/O	A1216S	AM1216S	1200/4541	50/189	2.5	2.24
S/O	A1816S	AM1816S	1800/6811	75/284	2.5	2.24

FCI Watermakers Max-Q+ (700-1,850 GPD)



The Max-Q+ and Max-Q+APC are latest evolution of the Max-Q product line. Our exclusive V4 control system utilizes a high resolution marine-grade 7-inch screen panel with an advanced intuitive interface. Operating and controlling a Watermaker has never been easier. With the optional APC, Automated Pressure Control, making water is literally a touch away.

STANDARD FEATURES

- Voltage: 120/220/380, 1-ph, 3-ph, 50/60 Hz.
- New marine grade 7" high resolution touch screen controller.
- Monitors are Type Approval Certified for marine use by: ABS, FL, Lloyd's Register EMEA, Det Norske Veritas and Russian Maritime Register of Shipping.
- New NMEA 2000 compatible.
- Unique IP address for remote access.
- Built-in, on-screen troubleshooting.
- Small frame footprint.
- Ability to relocate Pressure Vessel Assembly and FWF Assembly to reduce frame footprint.
- 316SS Boost Pump.
- 316SS HP Pump.
- Visual indication of product and brine flow.
- Upgradable to 1,850 GPD.
- Fully automatic programmable Fresh Water Flush with carbon block filter.

- Standard 40 sq. ft. commercial Pre-filter.
- Dual hertz motors for 50 or 60 hertz operation.
- Multiple display station capabilities.
- 40 sq. ft. of 5 micron pleated filtration.
- Vibration isolation.
- Automatic flush system.
- Washdown duty motors.
- Flow sensors.
- 316SS pressure transducers.
- Pretreatment lockout.

MAX-Q+ SERIES MODELS

Order No.	Framed	Modular	GPD/LPD	GPH/LPH	HP	KW
S/O	MQ726S	MQM726S	700/2649	29/110	2.5	2.29
S/O	MQ1826S	MQM1826S	1850/7000	77/292	2.5	2.29

AQ3 REMOTE

- Additional displays enable you to program and access the system from a remote location.
- Dimensions: 5.40" W x 4.10" H x 2.10 D.

LIMITED QUANTITIES

Order No. **343232** Mfg. No. / Description (50-2185) List Price **\$875.00** A0-0057800

SPECIAL HANDLING MAY APPLY



FCI Watermakers Atlas+ APC (1,400-3,600 GPD)



The Atlas+ Series is the most compact commercial system FCI has to offer. Built on the smaller, marine Max-Q+ platform, it has all the working benefits of its much larger, industrial Neptune+ sibling. The Atlas+ Series is capable of producing 1,400-3,600 GPD and is upgradable throughout the series. The Automated Pressure Control (APC) with manual override puts making pure fresh water, literally, a touch away. At the heart of the system is a durable wash-down duty, 5 HP motor and a robust 316 stainless steel high pressure pump that allow for extended run times. When installation space or generator size is limited, the Atlas+ Series truly encompasses the best of both pleasure boating and commercial worlds.

ATLAS+ SERIES MODELS

Model	GPD/LPD	M3	GPH/LPH
AT14263+/AT14263+APC	1400/5298	5	58/221
AT20263+/AT20263+APC	2000/7568	8	83/315
AT25263+/AT25263+APC	2500/9460	9	104/394
AT28263+/AT28263+APC	2800/10595	11	117/441
AT36263+/AT36263+APC	3600/13622	14	150/568

STANDARD FEATURES

- Power supply options: 208-220, 3-ph, 60 Hz, 380-415, 3-ph, 50 Hz or 440-480, 3-ph, 60 Hz.
- 7" touch screen: High resolution HMI, marine grade and bridge certified.
- TEFC continuous-duty washdown rated motors with 316SS shaft and sealed maintenance-free bearings for long life applications.
- LP Feed Pump: Closed impeller design offers 50% more pressure efficiency over standard pumps.
- Electrical: NEMA 4X rated enclosure.
- Open Frame Design: Allows easy visual inspection and access for maintenance.
- Fresh Water Flush: Schedule automated flushes through the V4 Control.
- Shock Mounts: Installed on frame and motor to reduce noise and vibration.
- Membranes: High rejection non-proprietary membranes used to obtain the highest quality of product water.
- Automatic Pressure Control (APC): Auto-adjusts system pressure to feed water conditions.
- High Pressure Pump: Extended-duty 316SS HP pump.
- Product Vessels: 316SS product/pressure ports and FDA/NSF-51 fittings used on the product water.
- Pre-filter: 40 sq. ft. of pleated filter with PVC core in addition to pressure monitoring and alarming.

FCI Watermakers Neptune+ - Modular (1,275-9,500 GPD)



Since its inception, the FCI Neptune+ Series has been recognized for its high efficiency and extreme reliability. With output capacities ranging from 1,275 to 9,500 GPD, it has established itself as a dependable workhorse by utilizing premium components: 316SS pumps, commercial filtration, NEMA 4X electrical enclosures, slow turning HP pumps, pressure vessels with 6x the safety factor and industry-leading certified control systems. When you add Automated Pressure Control, and the corresponding media filtration skid, the Neptune+APC is the optimum system with automated watermaking at your fingertips. The Neptune+ Modular system allows flexible installation options, which make it deals for commercial vessels, island homes, oil platforms, hotels or large yachts with limited operating space.

NEPTUNE+ - MODULAR SERIES MODELS

Module	GPD/LPD	M3	GPH/LPH	HP	KW
NM12263+ APC	1275/4826	4.83	53/201	3	2.98
NM18263+ APC	1850/7003	7.00	77/291	3	2.98
NM25263+ APC	2500/9463	9.47	104/394	5	4.58
NM31263+ APC	3100/11734	11.74	129/488	7.5	6.48
NM43263+ APC	4300/16277	16.29	179/678	7.5	6.48
NM55263+ APC	5500/20819	20.83	229/867	7.5	6.48
NM75263+ APC	7500/28391	28.41	312/1182	10	8.39
NM95263+ APC	9500/35961	35.98	395/1497	10	8.39

STANDARD FEATURES

- Power supply options: 208-230, 3-ph, 60 Hz, 380-415, 3-ph, 50 Hz or 440-480, 3-ph, 60 Hz.
- 7" high resolution HMI touch screen that is marine grade and bridge certified.
- Pre-Filter: 80 sq. ft. of pleated filter with PVC core.
- Pressure gauges and flow meters.
- Frame: Aluminum powder coated frame.
- Automatic Pressure Control (APC): Auto-adjusts system pressure to feed water conditions.
- Membranes: High rejection non-proprietary membranes used to obtain the highest quality of product water.
- Electrical: NEMA 4X rated enclosure with overload protection on low pressure and high pressure pump.
- Product Vessels: 316SS product/pressure ports and FDA/NSF-51 fittings used on the product water.
- LP/Feed Pump: Closed impeller design offers 50% more pressure efficiency over standard pumps.
- Motors: TEFC continuous-duty wash down rated motors with 316SS shaft and sealed, maintenance-free bearings for long life applications.
- High Pressure Pump: Continuous-duty 316SS HP pump with Pulsation Dampener.
- Shock Mounts: Reduce noise and vibration.
- Fresh Water Flush: Schedule automated flushes through the V4 Control.

- Electronics
- Trolling Motors
- Instruments
- Electrical
- Lighting
- Anchor & Dock
- Safety
- Steering, Controls
- Pumps
- Fuel System
- Seating & Pedestals
- Trailering
- Tops & Covers
- Perform.
- Propellers
- Engine & Care
- Cleaning & Care
- Paint & Paint Acc.
- Fun & Flotation
- Topside Acc.
- Cockpit & Deck
- Hardware, Fasteners
- Camouflage
- Misc.
- Comm.

FCI Watermakers Neptune+ - Horizontal (1,275-9,500 GPD)



STANDARD FEATURES

- Voltage: 220/380/460, 3-ph, 50/60 Hz.
- Advanced marine grade 7" high resolution touch screen controller.
- Monitors are Type Approval Certified for marine use by: ABS, GL, Lloyd's Register EMEA, Det Norske Veritas and Russian Maritime Register of Shipping.
- New NMEA 2000 compatible.
- Unique IP address for remote access.
- Built-in, on-screen troubleshooting.
- 316SS Low-pressure Pump with closed impeller design (producing 50% more pressure with the same horsepower).
- 316SS HP Pump.
- Commercially designed to operate 24/7, 365 days per year.
- Pressure Vessels with 316SS pressure and product ports, stress-eliminating engineering.
- 80 sq. ft. of Commercial Pre-filtration.
- Conservatively rated to ensure performance under varying conditions.
- Wash-down duty motors (epoxy coated, neoprene gaskets).
- Dual isolation mounts: 6 each on the pump and motor skid and 6 on the main frame.



Since its inception, the FCI Neptune+ Series has been recognized for its high efficiency and extreme reliability. With output capacities ranging from 3,400 to 10,000 GPD and a dependable Direct Drive High Pressure Pump, it has proven to be a dependable workhorse by utilizing premium components: 316SS pumps, commercial filtration, NEMA 4X electrical enclosures, pressure vessels with 6x the safety factor and industry-leading certified control systems. When you add Automated Pressure Control and the corresponding media filtration skid, the Neptune+ APC is the optimum system with automated watermaking at your fingertips., Ideal for commercial vessels, island homes, oil platforms, hotels or large yachts.

NEPTUNE+ - HORIZONTAL SERIES MODELS

Horizontal	GPD/LPD	M3	GPH/LPH	KW
NH34263+/NH34263+APC	3400/12870	12.88	141/533	14.8
NH46263+/NH46263+APC	4600/17412	17.42	191/723	14.8
NH58263+/NH58263+APC	5800/21955	21.97	241/912	14.8
NH80263+/NH80263+APC	8000/30283	30.30	333/1260	14.8
NH10263+/NH10263+APC	10000/37854	37.88	416/1574	14.8

FCI Watermakers Neptune+ OG (3,400-10,000 GPD)



STANDARD FEATURES

- Power supply options: 208-230, 3-ph, 60 Hz, 380-415, 3-ph, 50 Hz or 440-480, 3-ph, 60 Hz.
- 7" touch screen: High resolution HMI, marine grade and bridge certified.
- Frame: 6061 aluminum or 316 stainless steel, open frame.
- Bag filter: 25 micron filter with pressure differential monitoring and alarming.
- Disconnect: Externally mounted for quick and easy access; OSHA approved lockout switch.
- Forklift slots: Prevents damage to frame.
- Pressure gauges and flow meters.
- Direct drive motor: Continuous-duty with no belts to adjust, align or replace.
- Pre-filter: 120 sq. ft. area with pressure differential monitoring and alarming.
- APC: Automatic Pressure Control system auto-adjusts system pressure to feed water conditions.
- Electrical enclosure: 316 stainless steel, NEMA 4X, Class I Div II Standard.
- Pipe Supports: Added reinforcements to protect plumbing.
- Protection: All components safely mounted within the frame.
- Lifting Eyes: Mounting positions for lifting or storage.



The Neptune+ OG line is our newest development in the Neptune Series of watermakers. The rugged design addresses the demanding needs of the Oil and Gas industry, Rental Fleets, Isolated Island applications or anywhere environmental conditions require solid engineering and trouble-free operation. Building on the foundation and excellent rack record of the Neptune+APC, we've increased filtration, added FRP cluster housings and direct drive pumps. The frame with built-in lifting eyes, comes in 316 Stainless Steel or 6061 Aluminum. Our V4 HMI control system is fully automated and customizable through a marine grade, high resolution Touch Screen. Enclosures are completely NMEA 4X compliant and explosion proof ratings are also available. Couple this unit with its corresponding media filtration skid and you'll have the optimal system.

NEPTUNE+ OG SERIES MODELS

Horizontal	GPD/LPD	M3	GPH/LPH
NHOG34463+ APC	3400/12870	12.88	142/538
NHOG47463+ APC	4750/17981	18.00	198/750
NHOG60463+ APC	6000/22713	22.73	250/947
NHOG72463+ APC	7200/27255	27.27	300/1136
NHOG80463+ APC	8000/30283	30.30	334/1265
NHOG90463+ APC	9000/34069	34.10	375/1420
NHOG100463+ APC	10000/37854	37.88	417/1579

FCI Watermakers Neptune+ - Accessories

Order No.	Mfg. No. / Description	List Price	Order No.	Mfg. No. / Description	List Price
343223	(20-2261) Filter Cart. - 5 Micron 5" x 13"	\$68.75 AO-5786000	343213	(20-0019) Filter Cart. - 5 Micron 2-1/2" x 9-3/4"	\$11.00 AO-0011000
343226	(48-0199) Cat Pump Oil Pint	\$12.70 AO-0721000	343216	(20-0020) Filter Cart. - 20 Micron 2-1/2" x 9-3/4"	\$11.00 AO-0011000
343229	(48-2374) Oil Pint	\$12.70 AO-0721000	343219	(20-0025) Carbon Filter 2-1/2" x 9-3/4"	\$15.75 AO-5751000

Electronics

Trolling Motors

Instruments

Electrical

Lighting

Anchor & Dock

Safety

Steering, Controls

Pumps

Fuel System

Seating & Pedestals

Trailing

Tops & Covers

Perform.

Propellers

Engine & Care

Cleaning & Care

Paint & Paint Acc.

Fun & Filtration

Topside Acc.

Cockpit & Deck

Hardware, Fasteners

Misc.

Comm.

FCI Watermakers Poseidon+ (10,000-26,500 GPD)



The Poseidon+ marine reverse osmosis system is the industry's choice when commercial applications call for substantial capacities of fresh water. This high output unit features unrivaled quality and superior manufacturing with proven reliability in the most demanding of applications. The frame is powder coated aluminum with built-in forklift slots and lifting eyes are optional. Our V4 HMI control system is fully automated and customizable through a marine grade, high resolution Touch Screen mounted in a stainless steel enclosure, which is NMEA 4X compliant. With production ranges from 14,265 - 27,210 GPD, capacity can be easily re-configured with additional vessels. The Poseidon+ is commonly used around the world on offshore oil platforms, petroleum support vessels, commercial ships, military vessels, mid-sized hotels, island applications and various remote necessities.

For over three decades, FCI Watermakers has been pioneering technologies and manufacturing the most reliable, trouble-free watermaking systems for the offshore and boating industries. Each unit is manufactured and live-tested in our facility. Your system comes with piece of mind and a readily available customer service and technical support team. Our worldwide service network ensures proper maintenance and unrivaled satisfaction.

STANDARD FEATURES

- Voltage: 220/380/460, 3-ph, 50/60 Hz.
- State-of-the-art engineering.
- Next generation advanced touch screen controller with complete system readouts.
- 316SS high-pressure pump.
- Multiple display station capabilities.
- Built-in media filtration.
- 120 sq. ft. of 5 micron pleated filtration.
- Pulsation dampener.
- Timing belt drive system.
- Vibration isolation.
- Automatic Flush System.
- TEFC Motors.
- Thermal overload protection.
- Flow meters and flow sensors.
- 316SS pressure transducers.
- Pretreatment lockout.

Horizontal	GPD/LPD	M3	GPH/LPH	Recovery Rate %
P54463+	14,265/53,999	54	417/1,578	24
P65463+	17,171/64,999	65	521/1,972	29
P81463+	21,397/80,996	81	667/2,525	37
P103463+	27,210/103,001	103	792/2,998	47



DOCKSIDE TREATMENT SYSTEM

The FCI Dockside Treatment System (DTS) is another FCI Watermakers innovation, specifically designed to treat dock water. The FCI DTS+Solo is a stand-alone dockside water purifying unit allowing you enjoy fresh purified drinking, cooking, and bath water from your dockside source. Its compact, modular design allows it to be tucked away just about anywhere. This advanced system includes a GAC and sediment filter, making it optimized for extended membrane life, which means less maintenance, lower operating costs and more enjoyment out on the water. The FCI DTS+Solo eliminates viruses, bacteria, and cysts. It also removes up to 99% of total dissolved solids (TDS), causing surfaces to dry without leaving water spots. Spend less time wiping down your vessel, and relish the benefits of spot-free wash-downs to extend the life of your vessel's paint and wax finish. The FCI Dockside Treatment System encompasses all of the qualities and reliability you have come to know with FCI Watermakers.



PURIFY DOCK WATER WITH ONE CONVENIENT UNIT

BENEFITS:

- Purified dock water for drinking, cooking, and bathing with no equipment on the dock needed
- Removes up to 99% of TDS
- Removes viruses, bacteria, and cysts
- Spot-free wash-down saves time, with no need to chamois-dry surfaces
- Extends your vessel's paint and wax life
- Compact, space-saving design
- Pumps and motors included
- Extremely low power consumption
- Exceptionally low noise and vibration
- Wall- or deck-mountable

- Electronics
- Trolling Motors
- Instruments
- Electrical
- Lighting
- Anchor & Dock
- Safety
- Steering, Controls
- Pumps
- Fuel System
- Seating & Pedestals
- Trailering
- Tops & Covers
- Perform.
- Propellers
- Engine & Care
- Cleaning & Care
- Paint & Paint Acc.
- Fun & Flotation
- Topside Acc.
- Cockpit & Deck
- Hardware, Fasteners
- Camouflage
- Misc.



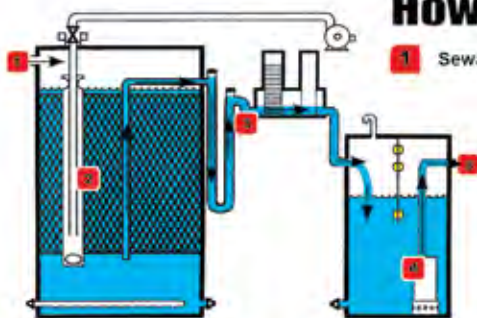
Type II Marine Sanitation Devices

MarineFAST[®] SEWAGE TREATMENT SYSTEMS

With over 42,000 FAST[®] installations in over 60 countries in residential, commercial, municipal, industrial, and marine applications. Built to handle extreme environments, the fully-certified MarineFAST[®] MSD systems handle any combination of fresh/saltwater sewage:

- SELF-REGULATING OPERATION
- SUPERIOR CORROSION PROTECTION
- WORLDWIDE TECHNICAL SUPPORT
- EASY-TO-UPGRADE OR RETROFIT
- LONG, RELIABLE SERVICE LIFE
- CERTIFIED, PROVEN PROCESS

How It Works:



- 1 Sewage (blackwater/greywater) enters the system.
- 2 Quiet, compact system circulates and aerates the tank contents to promote microorganisms present in sewage to grow and digest organic material.
- 3 Treated effluent passes through disinfection device.
- 4 Automatic operation for disinfection process.
- 5 Treated effluent discharges out of tank.



LX-Series

6 models sizes for Crews: 1 - 44

M-&MX-Series

5 models sizes for Crews: 1 - 70

DV-Series

9 models sizes for Crews: 1 - 1050+

DV-Series for Offshore platforms

9 models sizes for Crews: 1 - 1050+

Internationally recognized for quality products and top-notch field services, Scienco/FAST is a manufacturer of innovative, proven solutions for marine sewage devices, water treatment systems, biological tablets, and other industrial technologies.

To Order or for more information on Scienco/FAST[®] products: **Toll-free (866) 652-4539** or call **(314) 756-9300**
www.sciencofast.com | solutions@sciencofast.com

©2013 Bio-Microbics, Inc. All Rights Reserved. Scienco and FAST are registered trademarks.

- Electronics
- Trolling Motors
- Instruments
- Electrical
- Lighting
- Anchor & Dock
- Safety
- Steering, Controls
- Pumps
- Fuel System
- Seating & Pedestals
- Trailering
- Tops & Covers
- Perform.
- Propellers
- Engine & Care
- Cleaning & Care
- Paint & Paint Acc.
- Fun & Flotation
- Topside Acc.
- Cockpit & Deck
- Hardware, Fasteners
- Camouflage
- Misc.

Type II Marine Sanitation Devices (MSDs)



MarineFAST[®] LX-SERIES SEWAGE TREATMENT SYSTEMS

MarineFAST[®] LX-Series

Certified Type II Marine Sanitation Devices (MSDs) to treat all blackwater and greywater generated on board.

L-1x	Media Tank (1)	Crew: 1-7 persons*
L-2x	Media Tank (1)	Crew: 1-10 persons*
L-3x	Media Tank (1)	Crew: 1-14 persons*
L-4x	Media Tank (2)	Crew: 1-20 persons*
L-5x	Media Tank (1)	Crew: 1-22 persons*
L-6x	Media Tank (2)	Crew: 1-44 persons*

MarineFAST[®] M- & MX-SERIES SEWAGE TREATMENT SYSTEMS

MarineFAST[®] M-Series

Certified Type II Marine Sanitation Devices (MSDs) to treat all blackwater and greywater generated on board.

M-1	Media Tank (1)	Crew: 1-15 persons*
M-2	Media Tank (1)	Crew: 1-23 persons*
M-3	Media Tank (1)	Crew: 1-35 persons*
M-4	Media Tank (2)	Crew: 1-47 persons*
M-5	Media Tank (2)	Crew: 1-70 persons*

Assembled versions of M-Series

MX-1	Media Tank (1)	Crew: 1-15 persons*
MX-2	Media Tank (1)	Crew: 1-23 persons*
MX-3	Media Tank (1)	Crew: 1-35 persons*
MX-4	Media Tank (1)	Crew: 1-47 persons*
MX-5	Media Tank (1)	Crew: 1-70 persons*

MarineFAST[®] DV SERIES SEWAGE TREATMENT SYSTEMS

MarineFAST[®] DV-Series

Certified Type II Marine Sanitation Devices (MSDs) to treat all blackwater and greywater generated on board.

D-1V	Wet Well (1)	Crew: 1-52 persons*
D-2V	Wet Well (1)	Crew: 1-92 persons*
D-3V	Wet Well (1)	Crew: 1-139 persons*
D-4V	Wet Well (1)	Crew: 1-174 persons*
D-5V	Wet Well (1)	Crew: 1-209 persons*
D-6V	Wet Well (1)	Crew: 1-351 persons*
D-7V	Wet Well (1)	Crew: 1-523 persons*
D-8V	Wet Well (1)	Crew: 1-700 persons*
D-9V	Wet Well (2)	Crew: 1-1046 persons*

MarineFAST[®] SEWAGE TREATMENT SYSTEMS

NAME Member
Work Boat Exhibitor

SCIENTO/FAST[®]
a division of Bio-Microbics, Inc.

- Type II MSD marine & offshore sewage devices
 - Built to handle extreme environments
 - Certified under U.S. and IMO regulations
- Control calcium & grease build-up
 - OPT Tablets prevent scaling and calcium in pipes
 - FOGHog[®] Tablets consume fats, oils & grease (FOG) from drains in galley/keep plumbing clear

Call us today! (866) 652-4539
www.SciencoFAST.com

© 2012 Bio-Microbics, Inc. All rights reserved. Bio-Microbics is a registered trademark.

SCIENTO/FAST[®]
a division of Bio-Microbics, Inc.

Internationally recognized for quality products and top-notch field services, Scienco/FAST is a manufacturer of innovative, proven solutions for marine sewage devices, water treatment systems, biological tablets, and other industrial technologies.

To Order or for more information on Scienco/FAST[®] products:
Toll-free (866) 652-4539 or call (314) 756-9300
www.sciencofast.com | solutions@sciencofast.com

©2013 Bio-Microbics, Inc. All Rights Reserved. Scienco and FAST are registered trademarks.

Scienco[®]

SCIENTO[®] SciCHLOR[®]

WITH SciCELL[®] TECHNOLOGY

Fully integrated, simple, and compact-designed system to SAFELY and EFFICIENTLY make chlorine on demand. Using a recirculation method to concentrate a brine solution, the SciCHLOR[®] system can produce up to a 0.8% strength hypochlorite [below the hazardous material threshold of 1%].

Model 1.0 (10 LBR)	PCE
Model 2.0 (20 LBR)	PCE
Model 4.0 (40 LBR)	PCE
Model 6.0 (60 LBR)	PCE

SCIENTO[®] SciBRINE[®]

WITH LEVETROL[®] CONTROLLER

Uses the advantages of down-flow brine-making processes to ensure consistent, near saturated brine with easy maintenance.

FG1015	Holds 37 TNE of salt. Dims: 10' x 18' x 16'
FG1212	Holds 27 TNE of salt. Dims: 12' x 12' x 11'
FG1215	Holds 47 TNE of salt. Dims: 12' x 18' x 16'
FG1220	Holds 62 TNE of salt. Dims: 12' x 22' x 20'
FG0715	Holds 17 TNE of salt. Dims: 7' x 17' x 15'
FG0712	Holds 13 TNE of salt. Dims: 7' x 14' x 12'
FG0709	Holds 9 TNE of salt. Dims: 7' x 11' x 9'
FG0613	Holds 11 TNE of salt. Dims: 6' x 15' x 13'
FG0610	Holds 8 TNE of salt. Dims: 6' x 12' x 10'
FG0607	Holds 5 TNE of salt. Dims: 6' x 9' x 7'

Electronics

Trolling Motors

Instruments

Electrical

Lighting

Anchor & Dock

Safety

Steering, Controls

Pumps

Fuel System

Seating & Pedestals

Trailer

Tops & Covers

Perform.

Propellers

Engine & Care

Cleaning & Care

Paint & Paint Acc.

Fun & Flotation

Topside Acc.

Cockpit & Deck

Hardware, Fasteners

Camouflage

Misc.

Comm.

Mighty Mike[®] Tablets



Billion Onsite Organism Sewage Treatment utilizes a special formulation over 25 billion active, robust class 1 organisms per gram to consume and down the waste naturally for your septic system!

T-1461 BO 250 Flow (6 oz., ~25 Tablets)
 T-1462 BO 500 Flow (6 oz., ~14 Tablets)
 T-1422 JR 500 Flow (2 LBR, ~90 tablets)
 T-1421 JR 250 Flow (2 LBR, ~150 tablets)
 T-1451 PL 250 Flow (5 LBR, ~390 tablets)
 T-1452 PL 500 Flow (5 LBR, ~225 tablets)



Effective decalcification treatment for plumbing fixtures, drains, and containers that process hard water. Formulation of ingredients results in longer-lasting treatment and reduces costs associated with removing calcium build up.

T-9055 PL (16 LBR, 50 Tablets)



Fat, Oil, & Grease (FOG) treatment utilizes a special formulation over 25 billion active, robust class 1 organisms per gram to consume and break fat down naturally. Ideal for pumping stations!

T-1262 BO (6 oz., ~14 tablets)
 T-1222 JR (2 LBR, ~90 tablets)
 T-1252 PL (5 LBR, ~225 tablets)

Mighty Mike[®] Cleaners



NSF Certified 97% biodegradable, safe and effective for all fabrics including: silk, wool, linen, cotton, and high-tech microfiber. A clear, scent-free, low-sudsing, chemical-free detergent perfect for those with sensitive skin and High-Efficiency (HE) washers!

T-5681 (1 GLL [3.78 LTR])
 T-5680 (16 oz. [500 ml])



Certified 97% biodegradable, a SAFE, botanical mixture to clean all washable surfaces (home or office) without damaging surfaces or leaving harmful residues!

T-5684 (32 oz. [1 L])
 T-5683 (1 GLL [3.78 LTR])
 T-5682 (16 oz. [500 ml])



Certified 97% biodegradable, a SAFE, botanical mixture to clean all surfaces (vinyl to decking) without damaging surfaces or leaving harmful residues and is water safe!

T-5686 (32 oz. [1 L])
 T-5687 (1 Gal. [3.78 L])
 T-5685 (16 oz. [500 ml])



NSF Rapidly dissolves water scale, lime, and other mineral deposits that hinder the performance of vital water systems. Safe for aluminum parts.

T-5888 BO (1 Gal. [3.78 L])
 T-5889 DR (5 Gal. [19 L])



NSF Rapidly dissolves water scale, lime, and other mineral deposits that hinder the performance of vital water systems.

T-5690 BO (1 Gal. [3.78 L])
 T-5691 DR (5 Gal. [19 L])



SCIENCEO/FAST
 a division of Bio-Microbics, Inc.

Internationally recognized for quality products and top-notch field services, Scienco/FAST is a manufacturer of innovative, proven solutions for marine sewage devices, water treatment systems, biological tablets, and other industrial technologies.

To Order or for more information on Scienco/FAST[®] products:
Toll-free (866) 652-4539 or call **(314) 756-9300**
www.sciencofast.com | solutions@sciencofast.com

©2013 Bio-Microbics, Inc. All Rights Reserved. Scienco and FAST are registered trademarks.

- Electronics
- Trolling Motors
- Instruments
- Electrical
- Lighting
- Anchor & Dock
- Safety
- Steering, Controls
- Pumps
- Fuel System
- Seating & Pedestals
- Trailing
- Tops & Covers
- Perform.
- Propellers
- Engine & Care
- Cleaning & Care
- Paint & Paint Acc.
- Fun & Flotation
- Topside Acc.
- Cockpit & Deck
- Hardware, Fasteners
- Camouflage
- Misc.

Sea Horse Wastewater Treatment Systems - IMO Series

SPECIAL ORDER ONLY • PRICE ON REQUEST



- Sea Horse has developed its newest units to meet the most recent IMO Sewage Treatment Systems regulations (IMO Res. MEPC.115(51), Reg 9.1.1, and 33 CFR 159.015). Our customers have enjoyed the trouble-free operation of the Sea Horse since the initiation of the IMO resolution in 2010.
- Our units use a high-pressure discharge pump, and a media filter with a large surface area, to ensure its maximum life. In addition, our control panel removes the guesswork from the operator to ensure trouble-free operation.
- Our main goal at Sea Horse is to make sure you can operate your vessel without worry from your sewage system while still maintaining the highest environmental quality.
- Features and Benefits:
 - IMO / USCG Certified.
 - 2 HP TEFC High Pressure Pump.
 - Large surface area filter media for long life.
 - Custom sizing available.

Sea Horse Systems Plastic Sewage Plant



- The Sea Horse "P Series" marine sanitation device is a self-contained biological sewage treatment system that is designed to easily be installed without the need for a shipyard or a large maintenance crew. This unit was designed to eliminate corrosion while still retaining the same reliability of the Mariner series units, all with your budget in mind.
- The unit is modular and lightweight. It will fit through most watertight doors and can be handled with as few as two people. The unit is complete, self contained and ready for your vessel.
- The Sea Horse Type II MSD can meet any crew requirements for USCG, Local and state regulations. The units can be sized to treat black water only or black and gray water if necessary.
- The "P" Series comes complete with an integrated discharge system, remote control panel with high-level alarm.
- Features and Benefits:
 - All units are USCG/IMO Certified Type II.
 - Low Maintenance - few moving parts and no special tools required.
 - Crew sizes from 1 to 16 people.
 - Meets or exceeds all EPA, State or International requirements.
 - Operates in Fresh and Saltwater.
 - Corrosion resistant polyethylene construction.
 - Standard 1 year warranty.
 - Meets 33 CFR 159.97 for inspected vessels.

Commercial

- Electronics
- Trolling Motors
- Instruments
- Electrical
- Lighting
- Anchor & Dock
- Safety
- Steering, Controls
- Pumps
- Fuel System
- Seating & Pedestals
- Trailer
- Tops & Covers
- Perform.
- Propellers
- Engine & Care
- Cleaning & Care
- Paint & Paint Acc.
- Fun & Flotation
- Topside Acc.
- Cockpit & Deck
- Hardware, Fasteners
- Camouflage
- Misc.



SPECIAL HANDLING MAY APPLY



Comm.

Bridger™ Model 85 Line Throwing Gun



- It is a custom made line launcher 45/70 caliber gun capable of throwing a line from 300' to 750' or more.
- Kit includes: (1) Bridger Shoulder Line Gun, (1) red wooden box with solid brass hardware, (10) solid brass line projectiles, (4) 700' 140 lb. test nylon shot lines, (1) Aero metal line canister, (3) rewinding spindles, (25) blank cartridges - heavy load, (1) can gun oil, (1) cleaning solvent, (1) cleaning rod, (1) cleaning brush, (1) package patches and (1) set plastic instructions and gun lock.
- USCG Approval #160.031/6/3.
- Dimensions: 34" L x 12" W x 8" H.

Order No.	Mfg. No. / Description	List Price	
502674	(CG85) Line Throwing Gun	\$2,753.98	BO-8587420
502686	(HL25) 45/70 Blank Cartridges, 25 Per Box	\$120.98	CO-3820100
502695	(45170P) Cleaning Patches, 40 Per Pack	\$4.74	CO-3040000
502698	(SL700T) 700' 140 lb. Test Nylon Shot Line, Tan	\$93.98	BO-8548000

PainsWessex Linethrower 250



NEW PRODUCT

LINETHROWER 250 - BODY AND LINE ONLY

- Self-contained linethrowing appliance.
- Plastic launcher with 250m of 4mm dia line.
- Needs to be fitted with 9500800 rocket prior to use.
- Typically 4 units required to be carried on SOLAS vessels.
- Replace container along with every third set of rockets i.e. after 9 years.
- NON hazardous for transport without rocket fitted.

Order No.	Mfg. No. / Description	List Price	
436520	(9500700)	\$265.99	EO-9499100

LINETHROWER 250 ROCKET

- Replacement Rocket for use in Linethrower 250 Body and Line container.

Order No.	Mfg. No. / Description	List Price	
436510	(9500800)	\$289.99	EO-9471200

Pains Wessex Para Red Rocket MK8A



NEW PRODUCT

- Conforms to SOLAS 74/88 as amended.
- Designed to withstand exceptional environmental exposure and to perform reliably even after immersion in water, the pull wire ignitor and improved grip provides easy handling.
- Ejecting a red flare on a parachute at 300m (1,000 ft.), burning for 40 seconds at 30,000 candela

Order No.	Mfg. No. / Description	List Price	
436516	(9506720)	\$42.49	EO-7813000

Datrex IKAROS Line Thrower Complete



436128

436105



- A self contained portable line-throwing appliance incorporating integral rocket and lighter.
- The unit projects a line 300 meters in calm weather.
- Line length: 300 metres. Line diameter: 4 mm. Line strength: >2,300 N.
- For used as pilot lines for cables and ropes in rescue operations at sea.
- Can be use between vessels, from ship to shore or for rescuing people.
- BV-SOLAS certified. USCG Approved to SOLAS.
- Global Approvals: USCG, CA-DOT, BV/MED/SOLAS.

Order No.	Mfg. No. / Description	List Price	
436105	(CI 3461P) 4 Pack	\$736.99	FO-9851500
436107	(CI3461SNG) Single	\$880.79	HO-7482500
436117	(CI3462SP) Repl. Rocket with Integral Igniter	\$393.09	FO-6157200
436128	(CI 3463P) Buoyant Head (2 Per Ship Set Required)	\$121.29	FO-0948000

Datrex IKAROS Red Parachute Rockets



- For long range distress signaling on ships, lifeboats and liferafts.
- The launching tube has clear instructions and a non-slip surface to ensure safe operation even when launched with one hand.
- The rocket is waterproof and can be held under water in ready-to-fire position.
- Flare ejection height: 300 meters (>985 ft).
- Light intensity: 30,000 candela.
- Burn time: >40 seconds.
- Global Approvals: USCG, CA-DOT, BV/MED/SOLAS.
- Comes packed in watertight flare box.

Order No.	Mfg. No. / Description	List Price	
320800	(CI3401P-KIT) Complete Kit with 12 Flares	\$1,002.19	HO-1310600
320802	(CI3401P6) Complete Kit with 6 Flares	\$433.29	HO-7995200

Pains Wessex Para Red Rocket



- For day and night use.
- Long range parachute distress signal.
- Visible up to 30 miles.
- Burns for 40 seconds at 30,000 candela at a height of 984 ft.
- Approved to latest USCG and SOLAS specifications.

Order No.	Mfg. No. / Description	List Price	
497025	(30-50672)	\$89.99	HO-9935000

SPECIAL HANDLING MAY APPLY



- Electronics
- Trolling Motors
- Instruments
- Electrical
- Lighting
- Anchor & Dock
- Safety
- Steering, Controls
- Pumps
- Fuel System
- Seating & Pedestals
- Trailering
- Tops & Covers
- Perform.
- Propellers
- Engine & Care
- Cleaning & Care
- Paint & Paint Acc.
- Fun & Flotation
- Topside Acc.
- Cockpit & Deck
- Hardware, Fasteners
- Camouflage
- Misc.
- Comm.

Pains Wessex Lifesmoke MK9



- A compact, flat top, day time distress signal designed to be easy and safe to handle.
- It provides effective position marking during rescue operations and can be used to indicate wind direction, producing dense orange smoke for a minimum of 3 minutes.

Order No. Mfg. No. / Description
497037 (30-53700)

List Price
\$95.99 HO-9575000

**NEW
PRODUCT**

Datrex IKAROS Red Hand Flares



- For short range distress signalling on ships, lifeboats and liferafts.
- Also the best pinpoint signal for recreational vessels.
- The case is made of corrosion resistant steel and has clear simple instructions.
- The handle is plastic color-coordinated handle.
- The flare has a top ignition which is to ensure safety.
- Light intensity: 15,000 candela.
- Burn time: >60 seconds.
- Global Approvals: USCG, CA-DOT, BV/MED/SOLAS.



Order No.	Mfg. No. / Description		List Price	
436370	(CI3415P)	Sold 6 Per Case	\$25.99	HO-9551000
436371	(NH341501SNG)	Sold Each	\$71.39	HO-3824000

Pains Wessex Red Handflare MK8



- Red hand-held, short range distress signal.
- Used to pinpoint location by day or night.
- Burns for 60 seconds at 15,000 candela.
- Features a unique telescopic handle making it very compact and space saving when stowed in a liferaft.

Order No. Mfg. No. / Description
436514 (9529000)

List Price
\$13.49 E0-2101000

**NEW
PRODUCT**

Pains Wessex Red Hand Flare - MK8



- Telescopic handle allows easy extension for safe operation and saves space in stowage.
- Top pull-wire igniter.
- For use day or night pinpoint position.
- Burn time: 60 seconds at a minimum of 15,000 candela.

Order No. Mfg. No. / Description
497013 (30-52900)

List Price
\$30.39 HO-3281000

Orion 3-50 Mile Commercial Vessel Kit



- Meets USCG Regulations for Ocean Vessels traveling 3 - 50 miles from coastline or Great Lakes Vessels traveling more than 3 miles from coastline.
- Contains: (3) Red parachute flares, (6) Handheld red signal flares, (3) Handheld orange smoke signals and (1) Heavy duty, waterproof, dry box - high visibility orange polypropylene is corrosion resistant.

Order No. Mfg. No. / Description
519136 (820)

List Price
\$429.99 F0-9900300

**LIMITED
QUANTITIES**

Orion 3-50 Mile Commercial Vessel Kit



- Meets USCG Regulations for Ocean Vessels traveling 3 - 50 miles from coastline or Great Lakes Vessels traveling more than 3 miles from coastline.
- Contains: (3) Red parachute flares, (6) Eco-Friendly Formulation Handheld Red Signal Flares (35% Brighter), (3) Handheld orange smoke signals and (1) Heavy duty, waterproof, dry box - high visibility orange polypropylene is corrosion resistant.

Order No. Mfg. No. / Description
519135 (822)

List Price
\$497.39 F0-7184300

Orion 50+ Mile Commercial Kit



- Meets USCG Regulations for ocean vessels traveling in the ocean more than 50 miles from coastline.
- Contains: (3) Red parachute flares, (6) Handheld red signal flares, (3) Handheld orange smoke signals and (1) Heavy duty dry box - high visibility orange polypropylene construction, corrosion resistant and floats.

Order No. Mfg. No. / Description
519148 (826)

List Price
\$790.59 F0-1435500

SPECIAL HANDLING MAY APPLY



Electronics

Trolling Motors

Instruments

Electrical

Lighting

Anchor & Dock

Safety

Steering, Controls

Pumps

Fuel System

Seating & Pedestals

Trailer

Tops & Covers

Perform.

Propellers

Engine & Care

Cleaning & Care

Paint & Paint Acc.

Fun & Flotation

Topside Acc.

Cockpit & Deck

Hardware, Fasteners

Camouflage

Misc.

Comm.

Datrex Sea Dye Marker - Yellow/Green



- Dye weight: 3.5 oz.
- Minimum solubility: 85%.
- Dimensions of pack: 5" x 6-1/8".
- Sea dye marker meeting the MIL standard 17980D.

UPSable

Order No.	Mfg. No. / Description	List Price	
436318	(DX1517M) Yellow/Green	\$31.59	HO-5981000

Jim-Buoy Day Mark Signals - Black



- All units manufactured from heavy duty vinyl coated nylon fabric with stainless steel or galvanized framing.
- Fully collapsible when stored.
- Simplicity of design offers rapid and rigid display when required.

UPSable

Order No.	Mfg. No. / Description	Diameter	List Price	
267775	(1900) Ball Shape	Diameter 24"	\$202.09	F0-6414100
267787	(1901) Cone Shape	Diameter 24" x 24"	\$129.49	F0-4609000
267799	(1902) Diamond Shape	Diameter 24" x 48"	\$196.49	F0-4573100

Survitec Ocenco M-20.2 EEBD Breathing Device



- The Ocenco M-20.2 compressed oxygen EEBD (Emergency Escape Breathing Device) provides up to 32 minutes of protection and can be donned in seconds by simply unlatching the case, pulling out the unit, and inserting the mouthpiece and nose clip.
- With the option to wear the M-20.2 EEBD on a belt it makes it suitable for use in confined spaces.
- Closed circuit compressed O2 system.
- No annual service required, 15-year life cycle.
- Supplied in orange storage case.
- Low life cycle cost. Full visibility.
- Teflon hood and breathing bag provide excellent heat and chemical resistance.

Order No.	Mfg. No. / Description	List Price	
773261	(DMSO2015)	\$861.99	DO-9598600

Fire Hoses



- White color fire hose FAD.
- Double jacket.
- Working pressure: 400 psi.
- Test pressure: 800 psi.
- UL19 + FM Approved.
- Length 50'.

Datrex Rescue Quoit with Heaving Line



- Soft rubber throwing Quoit.
- Floats.
- For use in: Liferrafts, Lifeboats and Rescue Boats.
- 100' 5/16" of twisted polypropylene heaving line.

Order No.	Mfg. No. / Description	List Price	
436472	(DX1512M/1421)	\$61.79	CO-2525000

Orion Survival Craft First Aid Kit



- Ideal first aid kit for Life Rafts, Life Boats and Rescue Crafts.
- Plastic weatherproof case to keep contents free of moisture and dust.
- Storage case has two latches to keep the case closed and a handle to facilitate transportation to the site of an injury, includes holes for wall mounting.
- Contents: (32) Adhesive Bandages, 1" x 3", (10) Antiseptic Wipes, (50) Ibuprofen Tablets, (12) Burn Cream Packets, (10) Sterile Gauze Pads, 3", (3) Bandage Compresses, 2" x 4 yd, (3) Bandage Compresses, 3" x 4 yd, (2) Sterile Gauze Compress, 4" x 72" wrap with 4" x 8" pad, (2) Triangular Bandages, 40" x 40" x 56", (1) Waterproof Tape, 1/2" x 5 yd, (1) Weatherproof Case, 8" x 5" x 3".
- Meets US Coast Guard Recommended Standards Outlined in ISO 11813.

Order No.	Mfg. No. / Description	List Price	
436270	(816)	\$79.09	F0-6355000

Fire Hoses



- Single jacket, high grade, UL accepted fire hose.
- Rubber lined. Test pressure: 500 psi.
- Length 50'.

Order No.	Description	List Price	
380218	IPT 1-1/2"	\$307.40	F0-8151200
380220	NST 1-1/2"	\$307.40	F0-8151200
380232	NST 2-1/2"	\$543.59	F0-1508300

BRASS DOUBLE MALE HOSE NIPPLE

- Nipple has tapered pipe thread (NPT) one end, hose thread other end with hexagon wrenching feature.

Order No.	Description	List Price	
339819	IPT to NST Brass Adapter	\$24.89	F0-2471000

SPECIAL HANDLING MAY APPLY



- Electronics
- Trolling Motors
- Instruments
- Electrical
- Lighting
- Anchor & Dock
- Safety
- Steering, Controls
- Pumps
- Fuel System
- Seating & Pedestals
- Trailering
- Tops & Covers
- Perform.
- Propellers
- Engine & Care
- Cleaning & Care
- Paint & Paint Acc.
- Fun & Flotation
- Topside Acc.
- Cockpit & Deck
- Hardware, Fasteners
- Camouflage
- Misc.
- Comm.

Hump Type Hose Racks

- Designed for factory and warehouse storage of 1-1/2" or 1-3/4" fire hose.
- Hump in center supports weight of hose and helps lengthen its service life by relieving strain on folded ends.
- Racks furnished with wall brackets.
- Hose Capacity: 100' Synthetic, 50' Single Jacket.
- Dimensions: 29" W x 17" H x 4-3/8" D.



Order No.	Mfg. No. / Description	List Price	
380307	(1420-1) Steel - Baked on Red Enamel Finish	\$284.29	F0-0099100
249011	(1420-16) Stainless Steel	\$646.29	F0-0425400

Akron Leader Line Wye



- Brass construction.
- Designed for heavy duty use.
- High strength polymer handles and balls standard.
- Length 7-1/2", width 5-1/4".
- Female inlet 2-1/2", (2) male outlet 1-1/2".

Order No.	Mfg. No. / Description	List Price	
588537	(2681NST)	\$1,589.59	F0-1721110

Akron Universal Spanner Wrench



- The all-purpose wrench for 3/4" to 3" rocker lug and pin lug couplings.
- Features a belt hook eye, hammer head and a gas cock shutoff.
- Akrolite construction.
- Length 11-1/2".

Order No.	Mfg. No. / Description	List Price	
587088	(10.)	\$71.59	F0-1105000

Leader Line Wye

- Brass.
- Leader line wyes are used to split one 2-1/2" line into two 1-1/2" lines.
- Each side has an independent ball valve.
- 1-1/2" NST.



Order No.	Mfg. No. / Description	List Price	
339822	(430)	\$701.99	E0-9462500

Akron In-Line Foam Eductor

- Rated to 95 GPM at 150 PSI inlet pressure.
- Works effectively with nozzles rated from 50 to 100 PSI.
- 1-1/2" swivel inlet x 1-1/2" male.
- Field adjustable 1%, 2%, 3% and 6% foam settings.
- Removable foam pickup tube with metering dial for easy service and testing.

Order No.	Mfg. No. / Description	List Price	
588526	(2325NST)	\$2,090.59	F0-1436410

Angle Hose Valves



- Cast brass body, with red enamel wheel handle.
- Female inlet with tapered iron pipe threads.
- Male outlet, specify hose thread desired.

IPT (INTERNATIONAL PIPE THREAD) END

Order No.	Mfg. No. / Description	List Price	
380321	(170-1511MSPH) 1-1/2" IPT	\$175.59	F0-1922100

NST (NATIONAL STANDARD THREAD) END

Order No.	Mfg. No. / Description	List Price	
380333	(170-1521MNST) 1-1/2" NST	\$137.29	F0-0169000
380335	(170-2521MNST) 2-1/2" NST	\$258.29	F0-0808100
380341	(662-1521 NST) Cap with Chain	\$25.89	F0-2181000

Universal Spanner Wrench

- Cast brass.
- Handle end has pry lever, gas cock shut-off and door stop.
- Used for tightening 1-1/2" connections on fire hose.
- Length 10".



Order No.	Mfg. No. / Description	List Price	
380294	(874-4)	\$27.59	F0-1391000

Common Spanner Wrench

- Use on pin lug type fittings.
- Stocked plated malleable iron.
- 1-1/2".



Order No.	Mfg. No. / Description	List Price	
380282	(876-15 COMM)	\$13.89	L0-5960000

Akron Brass In-Line Foam Eductor



- Rated to 90 GPM at 200 PSI inlet pressure.
- Works effectively with nozzles rated from 50 to 100 PSI.
- Factory set at 6% pickup rate, easily changed to 3%.
- Includes: Foam shutoff valve and 60" pickup hose.
- Length 9-1/2". Female inlet 1-1/2", male outlet 1-1/2".



Order No.	Mfg. No. / Description	List Price	
588528	(2328)	\$1,943.99	F0-9706310

LIMITED QUANTITIES



- Rated to 95 GPM at 150 PSI inlet pressure.
- Works effectively with nozzles rated from 50 to 100 PSI.
- 1-1/2" swivel inlet x 1-1/2" male.
- Field adjustable 1%, 2%, 3% and 6% foam settings.
- Removable foam pickup tube with metering dial for easy service and testing.

Order No.	Mfg. No. / Description	List Price	
588526	(2325NST)	\$2,090.59	F0-1436410



- Electronics
- Trolling Motors
- Instruments
- Electrical
- Lighting
- Anchor & Dock
- Safety
- Steering, Controls
- Pumps
- Fuel System
- Seating & Pedestals
- Trailer
- Tops & Covers
- Perform.
- Propellers
- Engine & Care
- Cleaning & Care
- Paint & Paint Acc.
- Fun & Flotation
- Topside Acc.
- Cockpit & Deck
- Hardware, Fasteners
- Camouflage
- Misc.
- Comm.

Akron Coast Guard Nozzles with Fog Tip



588559



- Brass construction.
- Combination fog and straight stream nozzles for shipboard fire fighting.
- Required equipment for all commercial vessels under US registry.

MODEL 2032

- Fog flow at 100 PSI: 55 GPM.
- Length 9-3/4", width 4-3/4", height 4-3/4".
- Inlet 1-1/2".
- USCG Approval #162.027/09/0.

Order No.	Mfg. No. / Description	List Price	
587090	(20320002) IPT	\$1,510.19	GO-3811010
587103	(20320001) NST	\$1,510.19	GO-3811010
588559	(2033) Fog Tip w/Chain	\$297.59	FO-1380200
588561	(706254) 6" Chain	\$32.49	FO-4722000

MODEL 2046

- Fog flow at 100 PSI: 106 GPM.
- Length 11-1/2", width 5-3/4", height 5-1/2".
- Inlet 2-1/2".
- USCG Approval #162.027/10/0.

Order No.	Mfg. No. / Description	List Price	
587108	(2046 USCG) NST	\$1,884.69	GO-4726210

Brass Heavy Duty Industrial Fog Nozzles



- Heavy duty, low cost, brass fog nozzle, especially recommended for those locations where frequent service demands quality.
- Water flow can be quickly changed from, straight-to-fog-to-shut-off with a flick of the wrist.
- Large rubber bumper protects the outer perimeter of nozzle tip and also provides a firm gripping surface.
- Specially designed to give uniform flow in all positions.
- 1-1/2".

Order No.	Mfg. No. / Description	List Price	
380246	(520-1511) IPT	\$112.39	EO-9248000
380248	(520-1521) NST	\$112.39	EO-9248000

Brass Plain Fire Hose Nozzles



- Plain cast brass nozzle.
- For use on fire hose racks and reels and for other industrial applications where shut off valves are not required at the nozzle.
- Dimensions: 1-1/2" x 10" x 1/2".
- Couplings 1-1/2".

Order No.	Description	List Price	
380244	(572-1511) IPT	\$60.09	LO-5003000
380256	(572-1521) NST	\$60.09	LO-5003000

Akron Coast Guard Shipboard Vari-Nozzles



588518



588515



- Brass construction.
- Low friction ball and dual seats for smooth operation.
- Molded teeth.
- Rubber-like bumper and handle.
- Constant gallonage in fog and straight stream patterns.
- Flush without shutting down.
- A combination fog and straight stream nozzle designed for more efficiency with AFFF or water on-board ships.
- Flow at 100 PSI: 95 GPM.
- Length 8-5/8", width 4-1/4".
- Inlet 1-1/2".

PISTOL GRIP - USCG #162.027/15/0

Order No.	Mfg. No. / Description	List Price	
588515	(3020NST) NST	\$1,462.29	GO-3797900

WITHOUT PISTOL GRIP - USCG #162.027/16/0

Order No.	Mfg. No. / Description	List Price	
588518	(3022NST) NST	\$1,331.09	GO-3819800

Polycarbonate Fire Hose Nozzles



- High impact polycarbonate nozzles.
- Ideal for locations where brass theft is a concern.
- Adjustable fog/shut-off only.
- 78 GPM.
- 1-1/2".

Order No.	Mfg. No. / Description	List Price	
264111	(VREDNP) IPT	\$20.79	FO-5541000
264113	(E15NST) NST	\$68.39	FO-7874000

- Electronics
- Trolling Motors
- Instruments
- Electrical
- Lighting
- Anchor & Dock
- Safety
- Steering, Controls
- Pumps
- Fuel System
- Seating & Pedestals
- Trailering
- Tops & Covers
- Perform.
- Propellers
- Engine & Care
- Cleaning & Care
- Paint & Paint Acc.
- Fun & Flotation
- Topside Acc.
- Cockpit & Deck
- Hardware, Fasteners
- Camouflage
- Misc.

Akron Omega 3" Single Waterway Monitor



588542

- Brass construction.
- Full 3" waterway.
- Cast-in turning vanes for more efficient flow.
- 360° horizontal and 150° vertical travel.
- Elevation 90° above to 60° below horizontal.
- Height 17", width 11-1/2".
- Inlet 3" fl. Outlet 2-1/2".
- Flow: 1,250 GPM.
- Weight 72 lbs.

Order No.	Mfg. No. / Description	List Price	
588539	(3526NST)	\$3,546.99	FO-9828420
588542	(489) Plain Deluge Tip	\$851.29	FO-0959500

Akron Coast Guard Applicator with Fog Head



- Applicators with stainless steel tubing to Coast Guard specifications.
- Improved head and end connectors for increased strength and durability.
- Includes: Style 1034 fog head.
- Flow at 100 PSI: 54.
- Length 48", width 1-1/4", height 7". Inlet 1-1/2".
- 60° bend.
- USCG Approval #162.027/09/0.

Order No.	Mfg. No. / Description	List Price	
588535	(2415 USCG)	\$608.19	FO-3752400

Pick Head Fire Axe



- Varnished handle.
- Handle length 34".
- Head weight: 6 lb.

Order No.	Mfg. No. / Description	List Price	
303141	(06207)	\$92.69	FO-8846000

Datrex Hatchet with Lanyard



- USCG Approved hatchet with lanyard for use in lifeboats.

Order No.	Mfg. No. / Description	List Price	
320789	(BB0072M)	\$25.69	FO-8971000

Akron Horizontal Tool Bracket



- Heavy duty tool bracket with covered jaws for securing various tools.
- Designed for 1-1/2" and 2-1/2" applicators and other tools, such as axe handles with a 1-1/8" to 1-3/4" OD.
- Length 4-1/8".

Order No.	Mfg. No. / Description	List Price	
588547	(40 HORZ)	\$113.29	FO-0397000

Sledge Hammer - Double Face



- 8 lbs. double face sledge hammer with fiberghlass handle.
- Forged tool steel head with clear lacquer finish to deter rust.
- 36" fiberghlass handle, "jacketed style".

Order No.	Mfg. No. / Description	List Price	
303139	(PR800FG)	\$80.69	FO-8465000

Perko Fig. 325 Axe Bracket



- Stainless steel.
- Socket screw size: 10 R.H.
- Bracket screw size: 6.
- For 6" blade width.

Order No.	Mfg. No. / Description	List Price	
537386	(0325 000 STS)	\$27.09	FO-6981000

International Ship Connection - Brass



- This 7" OD flange threaded with 2-1/2" female hose thread to match hose threads on ship.
- Flange is slotted rather than drilled so it can be used with non standard flanges.
- Supplied with bolts, nuts, washers and gaskets.

Order No.	Mfg. No. / Description	List Price	
324006	(336)	\$289.39	EO-4071200

International Shore Connection - Brass



- Shore connection is a 2-1/2" x 7" OD flange threaded with 2-1/2" female hose thread to match on docks.
- Flange is drilled to ANSI Standard and is supplied with bolts, nuts, washers and gaskets.

Order No.	Mfg. No. / Description	List Price	
324018	(337-2521)	\$301.39	EO-4062200

- Electronics
- Trolling Motors
- Instruments
- Electrical
- Lighting
- Anchor & Dock
- Safety
- Steering, Controls
- Pumps
- Fuel System
- Seating & Pedestals
- Trailer
- Tops & Covers
- Perform.
- Propellers
- Engine & Care
- Cleaning & Care
- Paint & Paint Acc.
- Fun & Flotation
- Topside Acc.
- Cockpit & Deck
- Hardware, Fasteners
- Camouflage
- Misc.
- Comm.

STI Marine EZ Path® Fire-Rated Cable Transits



590004



590000

- Electronics
- Trolling Motors
- Instruments
- Electrical
- Lighting
- Anchor & Dock
- Safety
- Steering, Controls
- Pumps
- Fuel System
- Seating & Pedestals
- Trailing
- Tops & Covers
- Perform.
- Propellers
- Engine & Care
- Cleaning & Care
- Paint & Paint Acc.
- Fun & Flotation
- Topside Acc.
- Cockpit & Deck
- Hardware, Fasteners
- Camouflage
- Misc.

- EZ Path Marine Cable Transits are the industry's only zero-maintenance transit device designed to take control of your fire-rated divisions in non-watertight applications without the need to mechanically seal openings.
- Can be installed individually or ganged together to accommodate future expansions or increased cable load capacity.
- The heavy duty mounting plates can be welded or even bolted to the fire-rated division for fast and convenient installs at sea or in dry dock.
- 100% compliant 100% of the time.
- Maintenance free.
- No activation of the fire sealing system required.
- No putty or sealant required.
- Shell composition: 1.5 mm thick galvanized steel.
- Flange composition: Mild steel.
- Powder coating: Marine grade.
- Dimensions: 3" x 6" x 6".
- Cable loading area: 12 sq. in., maximum 1.75" diameter.

SINGLE SOLID PLATE KIT WITH ONE DEVICE

Order No.	Mfg. No. / Description	List Price	
590000	(MDM150A)	\$1,388.69	F0-8027900
590004	(MDM150C) For Aluminum Divisions	\$1,388.69	F0-8027900

STI Marine Filler Blanket



NEW PRODUCT

- Convenient roll form can be cut-to-length.
- Packs easily between penetrants.
- Better for adhesion than traditional fibrous packing materials.
- Supple, non-friable and asbestos-free.
- Brown.
- Thickness: 1".

Order No.	Mfg. No. / Description	List Price	
590013	(MFB530B) 5" x 360"	\$271.09	F0-6798100
590017	(MFB730B) 7" x 360"	\$371.79	F0-5206200

STI Marine Wrap Strip



- An intumescent, easy-to-use rolled wrap strip that collapses non-metallic piping.
- Provides rapid intumescent expansion.
- Easily installed around a wide range of pipe sizes.
- Used with MPACT system around nonmetallic pipes and insulated metallic pipes.
- Used with MFC-T Transitional Collars.
- Dimensions: 1/4" T x 2" W x 144" L.
- Red.

Order No.	Mfg. No. / Description	List Price	
590112	(MWS250)	\$723.59	F0-1560500

STI Marine EZ Path® Fire-Rated Cable Transits



Note: Contact Customer Service for additional information for ganged devices.

- EZ Path Marine Cable Transits are the industry's only zero-maintenance transit device designed to take control of your fire-rated divisions in non-watertight applications without the need to mechanically seal openings.
- Can be installed individually or ganged together to accommodate future expansions or increased cable load capacity.
- The heavy duty mounting plates can be welded or even bolted to the fire-rated division for fast and convenient installs at sea or in dry dock.
- 100% compliant 100% of the time.
- Maintenance free.
- No activation of the fire sealing system required.
- No putty or sealant required.
- Shell composition: 1.5 mm thick galvanized steel.
- Flange composition: Mild steel.
- Powder coating: Marine grade.
- Dimensions: 4" x 4-5/8" x 14".
- Cable loading area: 12.7 sq. in., maximum 3.375".

SINGLE SPLIT PLATE KIT WITH ONE DEVICE

Order No.	Mfg. No. / Description	List Price	
590008	(MDM400B)	\$1,461.79	F0-5232010

STI Marine Firestop Sealant



- An advanced, durable hybrid elastomeric polymer that seals against water, air smoke and gases.
- Ideal for applications where a high degree of water resistance is required.
- For interior or exterior applications in watertight decks and bulkheads.
- Maintenance-free and simple to install.
- Forms flexible, vibration resistant seals.
- Resistant to aging and weathering.
- Non-corrosive, non-conductive.
- Sealant for MPACT System.
- 9.5 oz. cartridge.

Order No.	Mfg. No. / Description	List Price	
590084	(MFS100)	\$51.99	F0-9363000

STI Marine Firestop Putty



590100

- This non-hardening, moldable compound is ideal for sealing small to medium size cable openings in fire-rated divisions.
- Flexible to accommodate vibration.
- Resistant to aging & weathering.
- Remains modable/pliable.
- Intumescent putty.

Order No.	Mfg. No. / Description	List Price	
590096	(MPU28) 15.5 oz. Putty Bar	\$67.69	FO-8374000
590100	(MPU52) (7) 1" Diameter by 7.5' Putty Coils	\$963.09	FO-6147600

STI Marine Snap-Seal Cable Plugs



- Two-piece penetration device allows easy installation around cables or tubes penetrating steel/aluminum divisions.
- Stainless steel shell/molded body snaps around cables, plastic/metallic tubing.
- Pre-bent tabs can accommodate division thicknesses from 4-12 mm.
- Intumescent material expands when heated to close off opening.
- 10 plugs per pack.

Order No.	Mfg. No. / Description	List Price	
590108	(MSS25)	\$214.99	FO-9405100

STI Marine Firestop Collars

- Factory-manufactured split design for rapid installation with plastic and metallic pipes in fire-rated divisions.
- Heavy gauge, chromium rich 316 stainless steel construction.
- Resistant to aging and weathering, no soluble or hygroscopic ingredients.
- Designed for high volume of char and rapid expansion.
- Split collar to fit around existing metallic and non-metal pipe.
- Won't damage outside surface of pipe.
- Can be installed without hot work.

Order No.	Mfg. No.	Pipe Diameter	Flange Diameter	List Price	
590036	(MFC20)	0.8"	2.4"	\$162.59	FO-1831100
590040	(MFC25)	1.0"	2.6"	\$165.99	FO-9161100
590048	(MFC32)	1.3"	2.8"	\$168.49	FO-4971100

LIMITED QUANTITIES

STI Marine MPACT® Marine Retrofit Sleeve Kit



- Easily add more cables and restore compliance of block and frame transit systems with this two-piece steel device.
- Two-piece design fits around existing cables.
- Can be installed without hot work.
- Kitted with MPACT materials.
- Provides water and gas-tightness.
- Includes: MMR Sleeve, MFB Filler Blanket and MFS Sealant.

Order No.	Mfg. No. / Description	List Price	
590088	(MMR601K) For #6 Frame	\$316.09	FO-6212200
590092	(MMR801K) For #8 Frame	\$338.09	FO-6663200

STI Marine Watertight Firestop Collars



Note:
Contact Customer Service for additional information for ganged devices.

- Factory-manufactured one-piece design for rapid installation with plastic and metallic pipes in watertight and fire-rated divisions.
- Heavy gauge, chromium rich 316 stainless steel construction.
- Provides watertightness up to 6 bar and gastightness up to 1 bar.
- Solid design requires pipe to be inserted through the watertight grommet.
- Flexible intumescent liner accommodates vibration and will not damage pipe.
- Resistant to aging and weathering.

Order No.	Mfg. No.	Pipe Diameter	Flange Diameter	List Price	
590032	(MFC16W)	0.6"	2.8"	\$164.89	FO-2451100

LIMITED QUANTITIES



Note:
Contact Customer Service for additional information for ganged devices.

- Electronics
- Trolling Motors
- Instruments
- Electrical
- Lighting
- Anchor & Dock
- Safety
- Steering, Controls
- Pumps
- Fuel System
- Seating & Pedestals
- Trailer
- Tops & Covers
- Perform.
- Propellers
- Engine & Care
- Cleaning & Care
- Paint & Paint Acc.
- Fun & Flotation
- Topside Acc.
- Cockpit & Deck
- Hardware, Fasteners
- Camouflage
- Misc.

Lakeland Fire Turnout Gear - OSX Attack



- OSX Attack Coat features:
 - 7.5 oz. Nomex outer shell.
 - Aralite/Stedair 3000 liner system.
 - NYC Style 3M Lime Yellow Triple Trim.
 - Radio pocket.
 - Mic strap.
 - Flashlight snap with strap.
 - Expansion/handwarmer pockets on jackets.
 - Arashield reinforcements.
 - Exclusive "Easy Grip" DRD (Drag Rescue Device).
- OSX Attach Turnout Pants features:
 - NYC Style 3M Lime Yellow Triple Trim.
 - Waist high pants.
 - Arashield reinforcements.

LIMITED QUANTITIES

Order No.	Mfg. No. / Description	Chest Size	List Price	Part No.
261789	(AT3202Y97-44) Large	42" - 44"	\$1,801.99	F0-9316210

Viking Firefighter Felt Lined Boots



- Chemical resistant tested as per EN 13832-1:2006.
- 14" tall Snug Fit design and ergonomic orthotic insole.
- Flame retardant rubber upper with grey felt lining.
- Highly chemical-resistant rubber upper.
- Vamp and leg lined with felt lining material for comfort and thermal insulation.
- Reinforced backstay for heel/tendon protection.
- Steel mid sole for footstep protection against penetration.
- Abrasion-, oil-, chemical-, slip-resistant, and heat-retardant chloroprene rubber lug sole.
- Safety reflective patch on the side of the boot.
- Heavy-duty rubber pull straps.
- Ultra flexible: Exceeds 305,000 Flex Rating.
- Safety standards:
 - NFPA: 1971 - 2018 protective footwear for structural fire fighting.
 - NFPA: 1992 - 2018 liquid splash-protective against hazardous material emergencies.
 - CSA Z195-14 / ASTM F2413-11 Grade 1 Steel toe and plate.
 - CSA Omega - Electric shock resistant 18kV.

Order No.	Mfg. No. / Description	Size	List Price	Part No.
232152	(VW90-10)	Size: 10M	\$365.98	F0-9165200
232155	(VW90-11)	Size: 11M	\$365.98	F0-9165200
232153	(VW90-12)	Size: 12M	\$365.98	F0-9165200
232154	(VW90-13)	Size: 13M	\$365.98	F0-9165200

Lifeline - 100' Stainless Steel with Bronze Snaps

- Dimensions: 3/16" x 100'

Order No.	Description	List Price	Part No.
248536	100' Lifeline	\$201.89	F0-2314100

Fire-Dex Fireman Coat and Pants



- Coat specifications:
 - Coat Outer Shell: 35" Coat with DRD (Standard for 35M Model), 7.5 oz.
 - Nomex IIIA (Black, Tan, Yellow, White or Navy), Yellow.
 - Coat Thermal Liner: (Q) 8.0 oz. Q-8.
 - Coat Moisture Barrier: (T) 5.2 oz. Stedair 3000.
 - Coat Closures: XC40 Zipper/Woven Hook and Loop.
 - Coat Trim Style: 2" NFPA Standard ScotchLite Solid Lime.
- Coat reinforcements:
 - Knit Wrist Reinforcement: XMNK Standard Knit Wrist, Kevlar (Yellow/Gold).
 - Cuff Reinforcement: Standard Cuff, PCA (Polymer Coated Aramid).
 - Shoulder Reinforcement: Shoulder Cap, PCA (Polymer Coated Aramid).
- Coat mic clips and straps:
 - XMCLPB Mic Clip: Black Nomex Webbing 1" x 2.5".
 - Left Qty: 1, Right Qty: 1.
- Coat pockets:
 - Chest Pocket - Left: (XP11) Radio Pocket 9 x 3 x 2.
 - Double Notch.
 - Hand Pocket - Left and Right: (XP01) Patch Pocket 10 x 10".
- Pants specifications:
 - Pant Rise: Regular Rise.
 - Pant Rear Panel: No Rear Panel.
 - Pant Outer Shell: 7.5 oz Nomex IIIA (Black, Tan, Yellow, White, or Navy), Yellow.
 - Pant Thermal Liner: (Q) 8.0 oz Q-8.
 - Pant Moisture Barrier: (T) 5.2oz Stedair 3000.
 - Pant Closures: XCOO Snaps/Hook and D.
 - Pant Trim Style: 2" around cuffs - ScotchLite Solid Lime.
- Pants suspenders:
 - MCHC - Post Attachment, H-Back, Black Webbing, Padded with Cam Lock (Max Length: 54").
- Pants straps and options:
 - XMS2 Takeup Strap: Nomex Webbing with Postman Slide.
 - Left Qty: 1, Right Qty: 1
- Pants pockets:
 - Front Pocket - Left and Right: (XP30) Full Bellow 10 x 10 x 2.
- Pants reinforcements:
 - Knee Reinforcement: Knee Patches, 10 x 8", PCA (Polymer Coated Aramid).
 - Cuff Reinforcement: DexCuff - Reverse Tapered Cuff, PCA (Polymer Coated Aramid).

FIREMAN COATS

Order No.	Mfg. No. / Description	Chest Size	List Price	Part No.
265600	(FXC LG COAT 46/35/35)	Large	44" - 46" \$1,689.99	C0-9463410
265610	(FXC XL COAT 50/35/36)	X Large	48" - 50" \$1,689.99	C0-9463410
265620	(FXC XXL COAT 54/35/36)	XX Large	52" - 54" \$1,689.99	C0-9463410
265622	(FXC 3XL COAT 58/35/36)	XXX Lg.	56" - 58" \$1,689.99	C0-9463410

FIREMAN PANTS

Order No.	Mfg. No. / Description	Waist Size	List Price	Part No.
265605	(FXC LG PANT 38/30)	Large	38" - 40" \$1,147.99	C0-9757900
265615	(FXC XL PANT 42/31)	X Large	42" - 44" \$1,147.99	C0-9757900
265625	(FXC XXL PANT 46/31)	XX Large	46" - 48" \$1,147.99	C0-9757900
265627	(FXC 3XL PANT 50/31)	XXX Large	50" - 52" \$1,147.99	C0-9757900

- Electronics
- Trolling Motors
- Instruments
- Electrical
- Lighting
- Anchor & Dock
- Safety
- Steering, Controls
- Pumps
- Fuel System
- Seating & Pedestals
- Trailering
- Tops & Covers
- Perform.
- Propellers
- Engine & Care
- Cleaning & Care
- Paint & Paint Acc.
- Fun & Flotation
- Topside Acc.
- Cockpit & Deck
- Hardware, Fasteners
- Camouflage
- Misc.

Fire-Dex Firefighting Helmet



- Our Modern Structural Firefighting Helmets embody a lightweight and sleek design while offering unmatched protection for your most vital organ.
- Heat resistant fiberglass shell.
- Thermal impact cap.
- Reflexite solid lime reflective strip trim, knit sweatband and nape, black nomex/FR cotton drape/ear cover, eye protection; 4" visor.
- Adjustable suspension and headband - Customize your fit using six-way overhead suspension straps and three piece headband with ratchet assembly.
- One-hand chinstrap release - Quickly remove the Nomex chinstrap with the easy one-handed release buckle and postman slide adjustment.

Order No.	Mfg. No. / Description	List Price	
265630	(911H713)	\$441.99	CO-9657300

Fire-Dex Firefighting Hood



- Double layer, knit FR material.
- Designed with long bibs and shoulder contour.
- No raw edges; fully hemmed face opening and bottom.
- Sewn with Nomex thread.
- The hood finishes at 23" from top of crown to the bottom of the back, 11.5" from face opening to bottom of front, and approximately 15" wide at the chest portion of the bib.
- Flatlock seam construction.
- Fuller sizing for one-size-fits-most comfort.
- Color: Gold.

Order No.	Mfg. No. / Description	List Price	
265635	(H61)	\$73.99	CO-9826000

Veridian Fire Pro II Structural Fighting Gloves



- Flame and heat resistant cowhide leather for overall heat protection.
- Full sock FR Modacrylic liner.
- Wristlet Style: 4" Black Nomex wristlet with leather pull patch.
- Exclusive breathable adhesive used to secure the liner.
- Liner guaranteed not to pull out.
- Gauntlet style has a 2" all leather cuff sewn at top of glove.
- Pyroprotect breathable moisture barrier.

Order No.	Mfg. No. / Description	List Price	
542098	(FPIKW1005L) Large	\$189.19	F0-3423100
542099	(FPIKW1005XL) X Large	\$189.19	F0-3423100

MSA G1 Industrial SCBA



G1 Carrier and Harness Assembly

773259



G1 Facepiece



773239

- G1 Facepiece:
 - Lightweight and low-profile.
 - Enhance situational awareness and visibility through a wide field of view.
 - Prevent potential cross-contamination when units are shared through unique mask design, which restricts exhaled air from entering the mask-mounted regulator.
 - Open port design allows for lower breathing resistance both on and off air with the goal of reducing fatigue.
 - Enable short-range communication with mechanical speaking diaphragm.
 - With polyester head harness.
- G1 Carrier and Harness Assembly:
 - Clean quickly with easy-to-remove soft goods.
 - Improve harness durability in tough environments with nanosphere-coated webbing to improve resistance to water and chemical exposure.
 - Increase comfort with optional shoulder pads and lumbar support to help reduce fatigue.
 - Improve ease of donning through shoulder pad placement to reduce twisting and increase comfort.
 - Nylon harness without padding and chest strap.
- Low-pressure (2216 psi), 30-minute-rated aluminum cylinder.

Order No.	Mfg. No. / Description	List Price	
773235	(A-G1IN-0) No Case	\$3,677.29	BO-6590330
773238	(A-G1IN-1) Hard Case Included	\$3,916.19	BO-7542530

SPARE ALUMINUM CYLINDER

Order No.	Mfg. No. / Description	List Price	
773259	(10183006) 30-Minute-Rated (2216 psi)	\$1,059.49	BO-4535900

WALKAWAY MOUNTING BRACKET

- This storage unit can be mounted with screws on rescue or fire vehicles or any permanent surface.
- The spring clips permit the wearer to strap on the apparatus unassisted.
- By stepping forward, the wearer snaps out of the bracket.

Order No.	Mfg. No. / Description	List Price	
773239	(39851)	\$485.39	BO-5863400

- Electronics
- Trolling Motors
- Instruments
- Electrical
- Lighting
- Anchor & Dock
- Safety
- Steering, Controls
- Pumps
- Fuel System
- Seating & Pedestals
- Trailer
- Tops & Covers
- Perform.
- Propellers
- Engine & Care
- Cleaning & Care
- Paint & Paint Acc.
- Fun & Flotation
- Topside Acc.
- Cockpit & Deck
- Hardware, Fasteners
- Camouflage
- Misc.

Complete Line of SCBA's Available Call for Pricing



SPECIAL HANDLING MAY APPLY



Comm.

Imperial Basic Ferry Boat PFDs



- Reversible yoke-style flotation device.
- An inherently-buoyant, self-righting lifejacket designed to be worn for extended survival in rough, open water where superior flotation characteristics are necessary.
- Stackable for easy storage.
- 110 sq. in. of SOLAS-grade reflective tape.
- Attachment loop on vest.
- Minimum 22 lbs. of buoyancy for adult, 11 lbs. for child.
- USCG Approved Type I.

Order No.	Mfg. No. / Description	List Price	
586013	(161RT) Child (Under 90 lbs.)	\$53.39	E0-4004000
586012	(160RT) Adult (Over 90 lbs.)	\$53.39	E0-4004000

Imperial Deluxe Offshore PFD



- A deluxe offshore personal flotation device (PFD) is an inherently buoyant lifejacket designed for blue water vessels.
- Holds Safety of Life at Sea (SOLAS) Approval.
- Foldable and stackable for easy storage.
- Weather and fade-resistant polyester fabric.
- 110 sq. in. of SOLAS-grade reflective tape.
- Fitted with a whistle and buddy line.
- Minimum 22 lbs of buoyancy.
- USCG Approved Type I.
- Adult - Over 90 lbs..

Order No.	Mfg. No. / Description	List Price	
586208	(230RT)	\$86.39	E0-9746000
586205	(60-23078398) Belt Extender	\$20.79	F0-5541000

Imperial Commander's Mesh Work Vests



- International Safety Orange color.
- PE (Polyethylene) foam buoyancy.
- Heavy duty zipper closure.
- Two 1-1/2" encircling body belts.
- Reflective stripping on front and back.
- Two side adjustments. Two gusseted pockets.
- Two lash tabs and one D-ring.
- Lightweight and durable mesh shoulders and back.
- Contoured foam panels for ease of movement.
- USCG Approved Type III - 160.064/4566/0.

Order No.	Mfg. No. / Description	Chest Size	List Price	
586020	(2210 L/XL) Large/X Large	40" - 50"	\$67.49	E0-2605000
586025	(2210 2XL/3XL) XX Large/XXX Large	50" - 60"	\$67.49	E0-2605000

ICF Ferry Boat / Offshore Type I PFDs



- 22 lb. buoyancy.
- 110 square inches of SOLAS grade reflective tape.
- Stackable for easy storage.
- Light loop and whistle attachment.
- International Safety Orange UL Approved fabric.
- Closure: 1" stainless steel snap-hook and D-ring on a 1" strap.
- Weather and fade resistant polyester.
- USCG Approved Type I.

Order No.	Mfg. No. / Description	List Price	
5860130	Child (Under 90 lbs.)	\$45.59	E0-9143000
5860120	Adult (Over 90 lbs.)	\$45.59	E0-9143000
5860000	Adult (4 PFDs)	\$191.29	E0-7434100

Imperial Basic Offshore PFD



- A basic offshore personal flotation device (PFD) is an inherently-buoyant lifejacket recommended for use in offshore or rough waters where rescue may be delayed.
- Has a unique reversible design.
- Weather and fade-resistant polyester fabric.
- 126 sq. in. of SOLAS-grade reflective tape.
- Light loop and whistle attachment over shoulder.
- Minimum 22 lbs. of buoyancy.
- USCG Approved Type I, CFR 160.055 compliant.
- Adult - Over 90 lbs..

Order No.	Mfg. No. / Description	List Price	
585996	(198RT)	\$69.49	E0-2125000

ICF Comfort Mesh Life Vest



- 200 Denier polyester shell.
- UV deterioration resistant.
- Body adjustable webbings with front closure.
- Zipper and front black buckles.
- Front and back reflective material for visibility.
- Top breathable mesh structure.
- Front pockets with hock and loop closure component.
- 15.5 lbs. buoyancy.
- USCG Approved Type III.

Order No.	Description	Chest Size	List Price	
585973	Small/Medium	Chest Size: 32" - 37"	\$71.99	E0-9935000
585971	Large/X Large	Chest Size: 40" - 50"	\$52.29	E0-2293000
585975	XX Large/XXX Large	Chest Size: 50" - 60"	\$52.29	E0-2293000

- Electronics
- Trolling Motors
- Instruments
- Electrical
- Lighting
- Anchor & Dock
- Safety
- Steering, Controls
- Pumps
- Fuel System
- Seating & Pedestals
- Trailering
- Tops & Covers
- Perform.
- Propellers
- Engine & Care
- Cleaning & Care
- Paint & Paint Acc.
- Fun & Flotation
- Topside Acc.
- Cockpit & Deck
- Hardware, Fasteners
- Camouflage
- Misc.

Mustang Survival Industrial Mesh Vests



- PU/Aegis Coated 200D Nylon, Type 6 shell fabric and polyethylene foam.
- Mesh shoulders offers mobility and comfort.
- Large front pocket with Velcro closure.
- Side adjustments for dual sizing.
- 32 sq in of SOLAS reflective tape across the front and back of the vest.
- USCG Approved Type III.

Order No.	Mfg. No. / Description	Chest Size	List Price	E.O. No.
350670	(MV1254T1) Small/Medium	34" - 42"	\$110.39	E0-9728000
350671	(MV1254T1) Large/X Large	42" - 50"	\$110.39	E0-9728000
350672	(MV1254T1) XX Large/XXXL	50" - 58"	\$110.39	E0-9728000

Imperial Vinyl-Dipped Work Vest



- A smooth, durable vinyl coating over self-extinguishing contoured flotation foam panels.
- 17.5 square inches of SOLAS-grade reflective tape.
- Foam retains buoyancy even when punctured.
- Adjustable chest and shoulder straps.
- Minimum 15.5 lbs. of buoyancy.
- Opening on back panel accommodates most harnesses.
- USCG Approved Type V, CFR 160.053 compliant and CFR 1926.106 (OSHA) compliant.

Order No.	Mfg. No. / Description	Chest Size	List Price	E.O. No.
585957	(280RT) Adult	32" - 54"	\$80.79	E0-9506000

Billy Pugh Type V Vinyl Dipped Work Vest with Internal Webbing



- Coated with vinyl which is tough, fire retardant, self-extinguishing, highly abrasive resistant and easily cleaned. Material is resistant to oil, gasoline and basic chemicals.
- Adjustable 1" black nylon webbing straps securely sewn with nylon thread.
- Incorporates a "Slot" in the back so that the D-Ring of a body harness can pass through it.
- Heavy duty aluminum slides and acetal closures resist corrosion.
- Buoyancy of 18 lbs.
- USCG Approved Type V.

Order No.	Mfg. No. / Description	Chest Size	List Price	E.O. No.
484682	(WVO-50) Adult	35" - 50"	\$97.69	E0-7237000

Taylortec "The Seahorse" Vinyl Work Vests



- International orange color for visibility.
- Liquid vinyl for protective coating.
- Polypropylene black webbing.
- Aluminum slides for adjustment.
- Side-release plastic buckles for front closure.
- Exceeds USCG minimum required 17.5 lbs.
- Closed-cell foam is inherently buoyant and resistant to punctures.
- Underarm/chest strap.
- USCG Approval 160.053/70/0.

Order No.	Mfg. No.	Size	Chest Size	List Price	E.O. No.
645701	(WV-10RT)	Standard	38" - 56"	\$77.59	E0-9185000
645703	(WV-10RTXXXL)	XXX Large	Chest Size: Up to 72"	\$86.59	E0-4946000

Imperial Rigger II Work Vest



- Durable 200 denier polyester covering resists UV deterioration.
- Comfortable to wear, lightweight construction.
- 23.6 square inches of SOLAS-grade reflective tape.
- Two encircling belts with snag-resistant buckles.
- Minimum 17.5 lbs of buoyancy.
- USCG Approved Type V, CFR 160.053 compliant.

Order No.	Mfg. No. / Description	Chest Size	List Price	E.O. No.
586202	(290EFRT) Adult	32" - 54"	\$54.99	E0-4214000

ICF Removable Pockets



- Fits most Type V Work Vests.
- Large front pocket and two large back pockets.
- 1" Delrin attachment buckles.
- Reflective tape.

Order No.	Description	List Price	E.O. No.
6305180	Removable Pockets	\$30.49	E0-7822000

- Electronics
- Trolling Motors
- Instruments
- Electrical
- Lighting
- Anchor & Dock
- Safety
- Steering, Controls
- Pumps
- Fuel System
- Seating & Pedestals
- Trailer
- Tops & Covers
- Perform.
- Propellers
- Engine & Care
- Cleaning & Care
- Paint & Paint Acc.
- Fun & Flotation
- Topside Acc.
- Cockpit & Deck
- Hardware, Fasteners
- Camouflage
- Misc.

Crewsaver Crewfit 40 Pro Inflatable Lifejackets (Manual)



- Provides 40 lbs. of buoyancy when inflated.
- Soft loop d-rings for attaching the safety harness.
- Twin, forward pull side waist adjusters.
- Robust outer cover and quick burst zip.
- Manual.
- USCG Type III Approved Lifejacket.
- Black.

Order No.	Mfg. No. / Description	List Price	
350594	(9503BKM)	\$223.99	E0-9976100
350633	(55-11001) Rearm Kit	\$64.09	E0-7084000

Imperial Immersion Suits (USCG/SOLAS/TC Version)



- Donovan offers a full service station: To pressure test and inspect suits. Suits must be in serviceable condition at all times. The pressure test can reveal leaks that can not be seen with the naked eye. A well maintained suit increases your chance of survival, lasts longer and saves you time and money. An experienced service technician can find seemingly minor defects that can cause major problems.
- The High Rider Ring: It is made of neoprene and attached by zippers making it easy for you to replace yourself. Most other suits have air bladders (high rider rings) that must be brought into a certified station to be replaced.
- Features:
 - One piece, sealed construction made of inherently buoyant 5mm neoprene.
 - Three fingered mitt to keep your fingers warmer.
 - Dual-zipper pull tabs.
 - Wide shoulders and legs for quick donning.
 - Snug-fitting face seal helps keep water out.
 - Back straps keep the ring in place.
 - Suits are true to size.
 - Equipped with whistle.
 - SOLAS-grade reflective tape provides extra visibility of wearer to rescue team.
 - Comes in sturdy storage bag with two handles.

Order No.	Mfg. No. / Description	List Price	
400325	(80-1409-A-3) Adult Universal	\$529.69	C0-4205400
400313	(80-1409-J3) Adult Jumbo	\$574.19	C0-6088400

SIZE SPECIFICATIONS

Size	Height Range m	Height Range ft/in	Weight Range kg	Weight Range lbs.
Adult Universal	1.5 to 1.9	4' 11" to 6' 3"	50 to 150	110 to 330
Adult Jumbo	Over 1.9	Over 6' 3"	Over 100	Over 220

USCG/SOLAS APPROVED - INTERNATIONAL APPROVAL CHART/MODEL NO.

Ship's Registry	Approval	Adult Universal	Adult Jumbo
USA	USCG #160.171/208/0	1409-A-3	
USA	USCG #160.171/209/0		1409-J-3

Features includes: High Rider Ring and storage bag.

Mustang Survival H.I.T. Inflatable Work Vest (Auto Hydrostatic)



350625



- Hammar Hydrostatic Inflator Technology (HIT) will only inflate in 4" or more of water pressure or when manually activated and not in rain, spray or high humidity.
- 38 lb. buoyancy when inflated.
- Durable heavy duty urethane coated nylon outer shell.
- Fast tab on left shoulder.
- SOLAS reflective tape and safety whistle.
- 50 mph dynamic strength-tested construction.
- Features the patented SecureZip closure system to ensure the vest will stay closed during even the most rigorous activity and still open effortlessly upon inflation.
- Approval: USCG Commercial Type V / Recreational Type III.
- Universal Adult [16 years + / 80 lbs. +] with chest size 30" - 52".
- Orange.

Order No.	Mfg. No. / Description	List Price	
350609	(MD3188V02)	\$409.79	E0-4370300
350625	(MA5283) Hydrostatic Inflator Re-Arm Kit	\$131.89	H0-3197000

Mustang Survival Re-Arm Kit C 33g Hydrostatic



- Re-arm kit for Mustang Survival Auto Hydrostatic Inflatable PFD.
- Includes: One 33 gram CO₂ cylinder/inflator body, inflator cap with plastic pull handle, metal key and rearming instruction manual.

Order No.	Mfg. No. / Description	List Price	
350623	(MA7214)	\$131.89	H0-3197000

Stearns Thermal Protective Aid



- Designed for hypothermia protection during prolonged exposure in life rafts or lifeboats.
- Polymer-coated fabric repels moisture and reduces heat loss.
- Attached sleeves and taped seams offer added protection against bitter conditions.
- Reflective material around the head and neck.
- Extra-large fit can be pulled on over clothing and PFDs.
- USCG Approved, complies with SOLAS 74/83.
- Adult.

Order No.	Mfg. No. / Description	List Price	
436469	(10-100-03)	\$109.99	F0-9967000

Junkin Fire Blanket with Vinyl Coated Nylon Bag



- 80% wool and 20% man-made fiber-treated with fire-resistant chemical.
- Machine washable.
- Conforms to Federal Flammable Fabrics Act CS-191-53.
- Includes: Vinyl coated nylon bag.
- Dimensions: 62" W x 84" L.

Order No.	Mfg. No. / Description	List Price	
429212	(JSA-1003)	\$159.39	C0-8453100

- Electronics
- Trolling Motors
- Instruments
- Electrical
- Lighting
- Anchor & Dock
- Safety
- Steering, Controls
- Pumps
- Fuel System
- Seating & Pedestals
- Trailering
- Tops & Covers
- Perform.
- Propellers
- Engine & Care
- Cleaning & Care
- Paint & Paint Acc.
- Fun & Flotation
- Topside Acc.
- Cockpit & Deck
- Hardware, Fasteners
- Camouflage
- Misc.

Stearns Flotation Jacket



Special Order - Allow
2 Weeks for Delivery



- Mid-thigh design with Suisse Aire Flotation Foam and a minimum 15.5 lbs. of buoyancy.
- Storm cuffs, sealed seams, a two-way zipper and concealed hood prevent water from seeping inside.
- 3M Scotchlite reflective shoulder and wrist strips offer enhanced visibility.
- Storm flap, handwarmer and cargo pockets keep chilly hands warm.
- Available in sizes: Small to XXX Large.
- Color: International Orange, Navy, Orange/Navy.
- USCG Approved Type III.

Stearns Bomber Style Flotation Jacket



Special Order - Allow
2 Weeks for Delivery



- This water-resistant, coated nylon shell jacket is filled with PVC foam for a minimum 15.5 lbs. of buoyancy.
- 3M Scotchlite SOLAS-grade reflective strips on arms and shoulders enhance visibility.
- Improved fit waistband and wrists won't soak up water when wet, ensuring true-to-form wear.
- Multiple pockets with hook-and-loop closure for more secure storage.
- USCG Approved Type III.

PIP Premium Three-Piece Rainsuit (Base35™)



- Made with .35 mm thick PVC and polyester fabric.
- Underarm vents.
- Cape vented back.
- Detachable hood with drawstring.
- Storm flap front.
- 2 flap pockets.
- Adjustable snaps at wrists and ankles for better fit.
- Bib overalls for full moisture protection.
- Self material collar for easy cleaning.
- Yellow.

Order No.	Mfg. No. / Description	List Price	
303292	(201-370XXL) XX Large	\$22.59	G0-4151000

LIMITED QUANTITIES

General Work Products PVC/Polyester Jacket, Hood and Bib



- Three-piece rain suit; Jacket, Hood and Bib.
- It is made of durable water-resistant 35 mil PVC over polyester with electronically welded seams.
- Stand-up collar snaps and detachable hood.
- Raglan shoulder design (No vent).
- Snap front closure.
- 2 side entry pockets.
- Bib front trousers (No fly).
- Adjustable suspenders.
- Take-up snaps on sleeves, waist and leg cuffs.
- Non-conductive snaps.
- Yellow.

Order No.	Mfg. No. / Description	List Price	
701850	(RS260M) Medium	\$15.99	F0-9111000
701851	(RS260L) Large	\$15.99	F0-9111000
701852	(RS260XL) X Large	\$15.99	F0-9111000
701853	(RS2602XL) XX Large	\$15.99	F0-9111000
701854	(RS2603XL) XXX Large	\$15.99	F0-9111000

Boss Lined PVC Rainsuits - 35mm



- Polyester lined, 3 piece 35mm PVC rain suit.
- Adjustable elastic suspenders.
- Detachable hood.
- Non-corrosive, non-conductive plastic snaps.
- Storm-fly front on bids and jacket.
- Take-up snaps on ankles and cuffs.
- Two snap pockets on jacket.
- Yellow.

Order No.	Mfg. No. / Description	List Price	
303289	(3PRO290YL) Large	\$22.59	G0-4151000
303290	(3PRO290Y XL) X Large	\$22.59	G0-4151000

LIMITED QUANTITIES

MSA V-FORM™ Harness



- The patent-pending RaceFORM buckle allows for a close comfortable full body harness fit eliminating the need for a bulky chest strap.
- Athletic cut that contours to the body and allows for increased upper torso mobility.
- Pull-down adjustment allows for quick and easy harness adjustment that ensures a proper fit that lasts throughout the work day.
- D-ring located on back.
- Qwik-fit leg strap buckle.
- Polyester thread/stitching and web.
- Steel and stainless steel buckles and d-ring.
- Capacity: Standard size.

Order No.	Mfg. No. / Description	List Price	
773274	(10197196)	\$64.69	B0-2285000

- Electronics
- Trolling Motors
- Instruments
- Electrical
- Lighting
- Anchor & Dock
- Safety
- Steering, Controls
- Pumps
- Fuel System
- Seating & Pedestals
- Trailer
- Tops & Covers
- Perform.
- Propellers
- Engine & Care
- Cleaning & Care
- Paint & Paint Acc.
- Fun & Flotation
- Topside Acc.
- Cockpit & Deck
- Hardware, Fasteners
- Camouflage
- Misc.

General Work Products Watch Your Hands Driver



- Cow skin leather driver.
- Our natural soft leather driver glove provides excellent durability and abrasion resistance.
- Watch Your Hands glove is a orange fingertip glove for low light conditions.
- Great for wet work, carpentry, construction, driving, equipment operation, farming, landscaping, tractor trailer operators and forklift operations.
- Perfect for indoor and outdoor use.

Order No.	Mfg. No. / Description	List Price	
412152	(G8823HVWHS) Small	\$5.49	FO-4830000
412153	(G8823HVWHM) Medium	\$5.49	FO-4830000
412155	(G8823HVWHL) Large	\$6.52	GO-7340000
415157	(G8823HVWHXL) X Large	\$6.52	GO-7340000

Keystone Thumb Select Grain Cowhide Driver Gloves



- Grain cowhide leather driver glove.
- Flexible keystone thumb construction.
- Shirred elastic wrist.
- Gunn cut.
- Weltd seams on middle fingers.
- Glove length: 10-1/2", palm width: 5-1/4".
- Hem color: Blue.

Order No.	Mfg. No. / Description	List Price	
412144	(990IK/M) Medium	\$10.39	AO-9301000
412150	(990IK/XL) X Large	\$7.59	BO-3860000

LIMITED QUANTITIES

Boss Grip™ Double Coated Latex Crinkled Grip Palm Color Coded Hem



- Double latex palm dip with crinkled grip.
- Heavy weight, 50% cotton 50% polyester shell.
- Ergonomic design helps reduce hand fatigue.
- Knit wrist with color-coded hem.
- Sanitized treated.
- X Large.

Order No.	Mfg. No. / Description	List Price	
412134	(1SR8422-XL)	\$3.59	FO-1520000

LIMITED QUANTITIES

"B" Grade Shoulder Split Cowhide Leather Double Palm Gloves



- "B" Grade shoulder split cowhide leather double palm glove with fabric back-rubberized safety cuff.
- Cotton lined palm for extra comfort.
- Gunn cut pattern delivers excellent durability, wear and comfort, especially for heavier gloves.
- Wing thumb increases comfort in open-handed work.
- Fabric back provides breathability and flexibility.
- Leather knuckle strap and finger tips for protection.
- One size.

Order No.	Mfg. No. / Description	List Price	
412113	(83-6733)	\$5.29	BO-6740000

LIMITED QUANTITIES

General Work Products PVC Smooth Gloves



- This glove provides workers a protection barrier from basic chemicals, oils, acids and grease.
- Perfect choice for mining, fishing, utilities and refining.
- Washable.
- Length 14".

Order No.	Mfg. No. / Description	List Price	
412104	(G2234)	\$6.49	GO-5340000

General Work Products Brown Jersey Gloves



- Lightweight, low density, comfortable fit, cool, breathable and absorbent material.
- Excellent for low heat, light duty and general purpose applications.
- Machine washable.
- Elastic knit wrist.
- One size fit most.

Order No.	Mfg. No. / Description	List Price	
412130	(G4503)	\$1.49	GO-0010000

- Electronics
- Trolling Motors
- Instruments
- Electrical
- Lighting
- Anchor & Dock
- Safety
- Steering, Controls
- Pumps
- Fuel System
- Seating & Pedestals
- Trailer
- Tops & Covers
- Perform.
- Propellers
- Engine & Care
- Cleaning & Care
- Paint & Paint Acc.
- Fun & Flotation
- Topside Acc.
- Cockpit & Deck
- Hardware, Fasteners
- Camouflage
- Misc.

Jim-Buoy Life Ring Buoy - G Series



- Solid closed cell foam throughout.
- Soft and resilient to the touch.
- Resists weather and temperature extremes.
- With webbing straps.
- Orange.
- USCG Approval #160.050/106/1.
- Diameter 24".

Order No.	Mfg. No. / Description	List Price	
266310	(GO-24)	\$141.09	FO-6789000

Jim-Buoy Hard Shell SOLAS Series Ring Buoy



- Rock-hard polyethylene shell for added durability.
- Black 3/8" polypropylene UV resistant rope.
- Molded-in rope holes for easy rope replacement.
- Retroreflective tape included.
- Orange.
- USCG Approval #160.050/155/0 and SOLAS Approval #160.150/11/0.
- Diameter 30".

Order No.	Mfg. No. / Description	List Price	
266242	(HS0-30)	\$169.29	FO-0581100

Datrex Life Ring Buoys



- Molded from high impact linear low-density polyethylene.
- The encircling rope is replaceable.

LIFERING - ORANGE WITH RETRO-REFLECTIVE TAPE

- 24" orange buoy with retro-reflective tape for installation on commercial fishing vessels, yachts and other boats that are not required to carry the 30" buoys.
- USCG and Canadian Coast Guard Approved.

Order No.	Mfg. No. / Description	List Price	
436423	(DX0240RD)	\$122.49	HO-9437000

DECKBUOY - ORANGE WITH RETRO-REFLECTIVE TAPE

- 30" orange buoy with retro-reflective tape.
- Used onboard commercial vessels, offshore installations and larger yachts.
- USCG, Canadian Coast Guard and BV/MED Approved.

Order No.	Mfg. No. / Description	List Price	
436426	(DX0325D)	\$119.19	HO-1517000

BRIDGEBUOY - ORANGE WITH RETRO-REFLECTIVE TAPE

- 30" orange buoy with retro-reflective tape.
- For use with MOB-signals and a quick release ring buoy bracket.
- USCG, Canadian Coast Guard and BV/MED Approved.

Order No.	Mfg. No. / Description	List Price	
436430	(DX0340D)	\$143.69	HO-1268000

Jim-Buoy Life Ring Buoys - JB Series



- Nylon reinforced vinyl cover with rigid urethane foam construction.
- Resists rot and mildew.
- Resists weather and temperature extremes.
- USCG Approved.

WHITE LIFE RING BUOYS WITH BECKETS

Order No.	Mfg. No. / Description	List Price	
266002	(JB-19) Diameter 19"	\$126.89	FO-2888000
266038	(JB-W-20) Diameter 20"	\$137.69	FO-8369000
266052	(JB-W-24) Diameter 24"	\$152.29	FO-0660100
266076	(JB-W-30) Diameter 30"	\$179.19	FO-3452100

ORANGE LIFE RING BUOYS WITHOUT BECKETS

Order No.	Mfg. No. / Description	List Price	
266090	(JBO-X-20) Diameter 20"	\$137.69	FO-8369000
266153	(JBO-X-24) Diameter 24"	\$152.29	FO-0660100
266165	(JBO-X-30) Diameter 30"	\$179.19	FO-3452100

ORANGE LIFE RING BUOYS WITH RETRO-REFLECTIVE TAPE

Order No.	Mfg. No. / Description	List Price	
266191	(JBO-X-24T) Diameter 24"	\$172.89	FO-2012100
266216	(JBO-X-30 T) Diameter 30"	\$199.79	FO-5893100
266305	(JBS0-30) Diameter 30", SOLAS Approved	\$180.29	FO-0262100

Billy Pugh Life Ring Buoy



- Molded of high impact polyethylene.
- Rigged with black polypropylene rope terminated with hand splice.
- USCG Approved throwable device for all vessels.
- USCG Approval #160.050/120/1.
- Polyurethane foam buoyant material provides a minimum buoyant force of 32 lbs.
- SOLAS Approved with tape.
- Diameter 30".



Order No.	Mfg. No. / Description	List Price	
484460	(A-301SOLAS)	\$112.49	BO-4210100

Billy Pugh Rescue Ring



- A flexible flotation device designed to close around victim when tension is applied to the lifting ring.
- This product is significantly superior to a regular ring buoy when rescuing a weak or unconscious victims.
- The inferior of the floatation ring is stainless steel cable reinforced.
- Diameter 30".



Order No.	Mfg. No.	List Price	
484464	(RR-30)	\$884.09	BO-8659700

- Electronics
- Trolling Motors
- Instruments
- Electrical
- Lighting
- Anchor & Dock
- Safety
- Steering, Controls
- Pumps
- Fuel System
- Seating & Pedestals
- Trailer
- Tops & Covers
- Perform.
- Propellers
- Engine & Care
- Cleaning & Care
- Paint & Paint Acc.
- Fun & Flotation
- Topside Acc.
- Cockpit & Deck
- Hardware, Fasteners
- Camouflage
- Misc.
- Comm.

Taylor Made Life Ring



- Vinyl skin life rings can be painted or numbered with excellent adhesion.
- For both recreational and commercial use.
- Vinyl skin is more puncture resistant and less likely to tear or scuff.
- Orange with white rope.
- Minimum buoyancy: 16.5 lbs.
- All life rings meet USCG approval for both commercial and recreational use.

LIMITED QUANTITIES

Order No.	Mfg. No. / Description	List Price	
828290	(363) Diameter 20"	\$84.29	FO-0095000

Jim-Buoy Life Ring Racks - Commercial Quality



- Heavy duty welded stainless steel.
- Maintenance free.
- Pre-drilled holes for stanchion and life line mounting, as well as cabin wall installations.

Order No.	Mfg. No. / Description	List Price	
266418	(1123-24) Diameter 24"	\$201.39	FO-7904100
266420	(1123-30) Diameter 30"	\$273.69	FO-8519100

Marpac Life Ring Brackets



- Heavy duty, commercial grade.
- Fits ring buoys 30" in diameter.
- Designed for commercial use with heavy duty welds.

Order No.	Description	List Price	
5-0010	Aluminum	\$97.99	GO-5656000
5-0015	Stainless Steel	\$124.99	GO-4738000

Marpac Ring Buoy Bracket



- Stainless steel.
- Predrilled.
- Width 3/4".

Order No.	Description	List Price	
7-0097	Ring Buoy Bracket	\$10.39	GO-6960000

ICF Ring Buoy Line Bag



- Constructed of US Cordura fabric.
- For retrieving buoy only - not for lifting.
- Includes: 3/8" black hollow polypropylene line.
- Line length 100'.
- Sub-Chapter M Compliant.

Order No.	Description	List Price	
5-0100	Ring Buoy Line Bag	\$54.89	FO-2483000

Billy Pugh Ring Buoy Release Mechanism (Cages Only)



- Galvanized steel.
- Meets USCG requirements 46 CFR 94.43-10(c) 33.40-5, 75.43-10, 108.515.
- Dimensions: 36" x 31" x 10-1/2".
- Sold 2 cages per set.

Order No.	Mfg. No.	List Price	
484547	(RBRM-1)	\$3,128.49	BO-4651820

Billy Pugh Containerized Fast Throw Lines



- Keeps rope from tangling on deployment.
- Maintains the strength of the rope as the rope is protected from UV degradation inside the PVC container.
- Once deployed, the rope cannot be returned to the tube for rescue.
- Length 100'.

Order No.	Mfg. No. / Description	List Price	
484555	(CFTL-1 FAST) 1/4" Poly Pro	\$317.89	BO-0168200
484559	(CFTL-3) 3/8" Poly Pro	\$448.69	BO-2830400

Mustang Survival Throw Bag with 75' Rope



- A valuable tool for those first responders who have arrived to a water emergency.
- 75' of 9mm multi-filament polypropylene rope.
- Mesh top for quick drying.
- Retro-reflective tape, light stick holder, quick release buckles.

Order No.	Mfg. No.	List Price	
630505	(MRD075)	\$72.69	BO-2456000

SPECIAL HANDLING MAY APPLY



- Electronics
- Trolling Motors
- Instruments
- Electrical
- Lighting
- Anchor & Dock
- Safety
- Steering, Controls
- Pumps
- Fuel System
- Seating & Pedestals
- Trailer
- Tops & Covers
- Perform.
- Propellers
- Engine & Care
- Cleaning & Care
- Paint & Paint Acc.
- Fun & Flotation
- Topside Acc.
- Cockpit & Deck
- Hardware, Fasteners
- Camouflage
- Misc.
- Comm.

Jim-Buoy Horseshoe Buoy - Standard Model

CAL-JUNE



- A tough, yellow vinyl coated nylon cover with heavy duty zipper over closed-cell plastic core.
- Will not rot or mildew. Stainless steel hardware throughout.
- Bracket not included.
- USCG Approval #160.064/076/0.

Order No. Mfg. No. / Description
266444 (920)

List Price
\$231.39 FO-7916100

Jim-Buoy Float-Free Link, Painter Cage

CAL-JUNE



- Each unit contains: (1) Stainless steel cage, 100' of black 5/16" polypropylene rope (1,600 lb. test) and wire link.
- All wire links are tagged to identify the raft size it is legal for.
- Rope ends are tagged as to their use.
- Complies with USCG Requirements.

Order No.	Mfg. No. / Description	List Price	
267841	(501-SM) 6 - 10 Man	\$264.89	FO-2458100
267842	(501-MD) 11 - 20 Man	\$283.59	FO-1589100
267843	(501-LR) 21 or More Man	\$312.19	FO-3581200

REPLACEMENT LINK ONLY

Order No.	Mfg. No. / Description	List Price	
267850	(FLT6-10) Small	\$91.29	FO-0936000
267852	(FLT11-20) Medium	\$91.29	FO-0936000
267851	(FLT21-25) Large	\$91.29	FO-0936000

Jim-Buoy Life Floats



CAL-JUNE



- International Orange.
- Tough resilient vinyl surface.
- Lightweight yet easily exceeds the most severe USCG test.
- No exposed metal hardware - all double webbing beackets secured inside the float body.
- Solid closed-cell plastic throughout.
- Double webbing, sunlight or weather never reaches the supporting beackets.
- USCG Approved.
- Shipped by motor freight only.

MFG #	Person Capacity	Length	Width	Diameter	Weight
1206	6	50-1/2"	36-1/2"	8-1/2"	23 lbs.
1208	8	51"	37"	9"	25 lbs.
1210	10	63"	37"	9"	30 lbs.
1212	12	78"	37"	9"	38 lbs.
1215	15	64"	48"	12-1/2"	50 lbs.
1222	22	100"	48"	12-1/2"	70 lbs.

LIFE FLOATS

Order No.	Mfg. No. / Description	List Price	
266686	(1206) 6 Man Life Float with Tape	\$4,143.69	EO-7770130
266698	(1208) 8 Man Life Float with Tape	\$4,426.29	FO-0489030
266701	(1210) 10 Man Life Float with Tape	\$4,601.29	EO-7905430
266711	(1212) 12 Man Life Float with Tape	\$5,393.49	FO-4457730
266725	(1215) 15 Man Life Float with Tape	\$6,446.59	FO-1621540
266749	(1222) 22 Man Life Float with Tape	\$7,536.69	EO-2525650

VINYL REPAIR KIT WITH PATCHES, SOLVENT AND BRUSH

Order No.	Mfg. No. / Description	List Price	
267840	(500)	\$99.59	FO-1796000

Electronics

Trolling Motors

Instruments

Electrical

Lighting

Anchor & Dock

Safety

Steering, Controls

Pumps

Fuel System

Seating & Pedestals

Trailer

Tops & Covers

Perform.

Propellers

Engine & Care

Cleaning & Care

Paint & Paint Acc.

Fun & Flotation

Topside Acc.

Cockpit & Deck

Hardware, Fasteners

Camouflage

Misc.

Comm.



SPECIAL HANDLING MAY APPLY



DONOVAN[®] SERVICE & REPAIR

**NEW ORLEANS • JACKSONVILLE • HOUSTON • CHARLESTON
PADUCAH**

Your Leading Life Raft and Inflatable Boat Sales and Service Specialists

USCG and ABS approved re-certification and re-packing

SERVICES:

- All makes and models life raft and rigid-hull inflatable (RHIB) repairs and re-certification inspections.
- Commercial and leisure industry products.
- Emergency Positioning Indicator Radio Beacon (EPIRB) equipment - service all makes and models.
- Complete power rigging and outfitting of new rescue boats.



- Electronics
- Trolling Motors
- Instruments
- Electrical
- Lighting
- Anchor & Dock
- Safety
- Steering, Controls
- Pumps
- Fuel System
- Seating & Pedestals
- Trailing
- Tops & Covers
- Perform.
- Propellers
- Engine & Care
- Cleaning & Care
- Paint & Paint Acc.
- Fun & Flotation
- Topside Acc.
- Cockpit & Deck
- Hardware, Fasteners
- Camouflage
- Misc.

SurvitecZodiac Modular Inflatable Life Rafts



- Constructed of high strength, durable PVC coated nylon fabric.
- All rafts are U.S. Coast Guard Approval #160.151 and manufactured in accordance with the current SOLAS Convention.

THIS LIFE RAFT CONFORMS TO:

- 1983 Chapter III Amendments to SOLAS 1974, Regulation 39.
- U.K. Merchant Shipping Act (L.S.A.) 1986 Schedule 4, Part 1.
- U.K. Fishing Vessels (Safety Provisions) Rules 1975, Rule 85.

APPROVED IN ACCORDANCE WITH SOLAS BY THE FOLLOWING MARITIME AUTHORITIES:

- D.O. Tp (U.K.)
- Marina Mercante (SPAIN)
- Statens Skibstilsyn (DENMARK)
- Dot (CANADA)
- Marine Marchande (FRANCE)
- R.I.N.A. (ITALY)
- Scheepvaartinspectie (SWEDEN)
- U.S.C.G. (U.S.A.)

USCG - SOLAS RANGE (PACK A) - COMPLETE WITH:

- | | | | |
|-----------------------------------|------------------------------|---------------------------|-------------------------|
| • Rescue quoit and 98 ft. of line | • Pump | • Fishing kit | • Tin opener |
| • Floating knife | • Survival instruction cards | • Hand flares | • Drinking vessel |
| • Bailer | • Immediate action cards | • Rocket parachute flares | • First aid kit |
| • Sea anchor and 98 ft. of line | • Heliograph | • Smoke signal | • Anti-sickness tablets |
| • Paddle | • Whistle | • Signal card | • Seasickness bags |
| • Sponge | • Torch | • Food | • Protective aid |
| • Repair kit | • Spare batteries and bulb | • Water | |

USCG - SOLAS RANGE (PACK B) - COMPLETE WITH:

- | | | | |
|-----------------------------------|------------------------------|----------------------------|-------------------------|
| • Rescue quoit and 98 ft. of line | • Repair kit | • Torch | • First aid kit |
| • Floating knife | • Pump | • Spare batteries and bulb | • Anti-sickness tablets |
| • Bailer | • Survival instruction cards | • Hand flares | • Seasickness bags |
| • Sea anchor and 98 ft. of line | • Immediate action cards | • Rocket parachute flares | • Protective aid |
| • Paddle | • Heliograph | • Smoke signal | |
| • Sponge | • Whistle | • Signal card | |



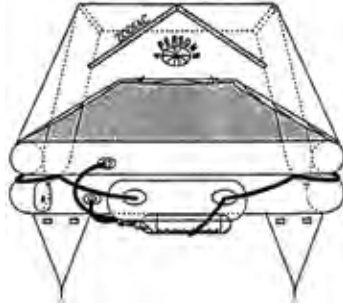
SPECIAL HANDLING MAY APPLY



- Electronics
- Trolling Motors
- Instruments
- Electrical
- Lighting
- Anchor & Dock
- Safety
- Steering, Controls
- Pumps
- Fuel System
- Seating & Pedestals
- Trailer
- Tops & Covers
- Perform.
- Propellers
- Engine & Care
- Cleaning & Care
- Paint & Paint Acc.
- Fun & Flotation
- Topside Acc.
- Cockpit & Deck
- Hardware, Fasteners
- Camouflage
- Misc.

Comm.

Life Raft USCG/SOLAS Range - 4 Persons - Pack A



- Raft includes hydrostatic release and deck mounting cradle.

Order No. Description List Price
458500 Pack A **\$4,055.99** B0-9305630

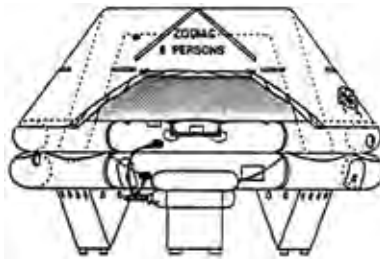
RAFT DIMENSIONS:

	Pack A
Inside Dimensions	1,500 x 1,500
Outside Dimensions	2,000 x 2,000
Total Volume	667 dm ³
Required Volume	576 dm ³
Interior Area	225 dm ²
Required Area	223, 2 dm ²
Weight	69 kg
Drop Height	36 m

CONTAINER DIMENSIONS:

Length	1,160 (3' 9-1/2")
Diameter	530 (1' 9")
Weight	72 kg (158 lbs.)

Life Raft USCG/SOLAS Range - 8 Persons - Pack A



- Raft includes hydrostatic release and deck mounting cradle.

Order No. Description List Price
458516 Pack A **\$4,733.99** B0-9506240

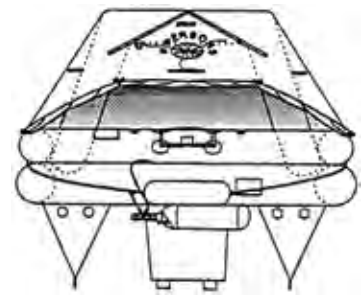
RAFT DIMENSIONS:

	Pack A
Inside Dimensions	2,215 x 1,915
Outside Dimensions	2,865 x 2,479
Total Volume	925 dm ³
Required Volume	768 dm ³
Interior Area	313 dm ²
Required Area	297, 6 dm ²
Weight	79 kg
Drop Height	36 m

CONTAINER DIMENSIONS:

Length	1,160 (3' 9-1/2")
Diameter	530 (1' 9")
Weight	70 kg (174 lbs.)

Life Raft USCG/SOLAS Range - 6 Persons - Pack A



- Raft includes hydrostatic release and deck mounting cradle.

Order No. Description List Price
458504 Pack A **\$4,477.99** B0-9103040

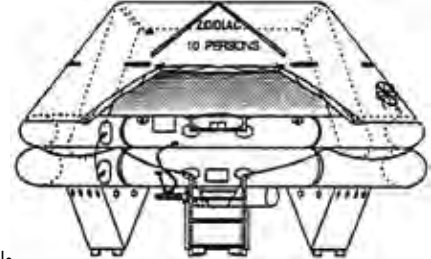
RAFT DIMENSIONS:

	Pack A
Inside Dimensions	1,500 x 1,500
Outside Dimensions	2,000 x 2,000
Total Volume	667 dm ³
Required Volume	576 dm ³
Interior Area	225 dm ²
Required Area	223, 2 dm ²
Weight	69 kg
Drop Height	36 m

CONTAINER DIMENSIONS:

Length	1,160 (3' 9-1/2")
Diameter	530 (1' 9")
Weight	72 kg (158 lbs.)

Life Raft USCG/SOLAS Range - 10 Persons - Pack A



- Raft includes hydrostatic release and deck mounting cradle.

Order No. Description List Price
458528 Pack A **\$5,409.99** B0-9986840

RAFT DIMENSIONS:

	Pack A
Inside Dimensions	2,434 x 2,110
Outside Dimensions	3,106 x 2,692
Total Volume	1,108 dm ³
Required Volume	960 dm ³
Interior Area	386 dm ²
Required Area	372 dm ²
Weight	96 kg
Drop Height	36 m

CONTAINER DIMENSIONS:

Length	1,275 (4' 2")
Diameter	585 (1' 11")
Weight	103 kg (226, 8 lbs.)

SPECIAL HANDLING MAY APPLY



Electronics

Trolling Motors

Instruments

Electrical

Lighting

Anchor & Dock

Safety

Steering, Controls

Pumps

Fuel System

Seating & Pedestals

Trailering

Tops & Covers

Perform.

Propellers

Engine & Care

Cleaning & Care

Paint & Paint Acc.

Fun & Flotation

Topside Acc.

Cockpit & Deck

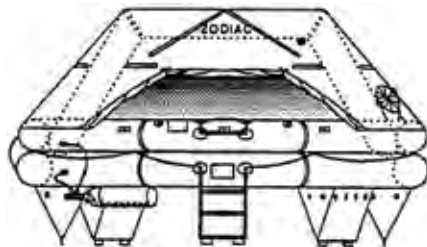
Hardware, Fasteners

Camouflage

Misc.

Comm.

Life Raft USCG/SOLAS Range - 12 Persons - Pack A



- Raft includes hydrostatic release and deck mounting cradle.

Order No.	Description	List Price	
458529	Pack A	\$5,747.99	B0-9137150

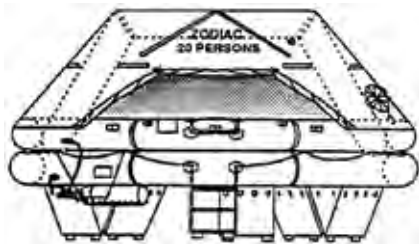
RAFT DIMENSIONS:

	Pack A
Inside Dimensions	2,964 x 2,740
Outside Dimensions	3,676 x 3,398
Total Volume	1,772 dm ³
Required Volume	1,536 dm ³
Interior Area	616, 5 dm ²
Required Area	595, 2 dm ²
Weight	135 kg
Drop Height	36 m

CONTAINER DIMENSIONS:

Length	1,275 (4' 2")
Diameter	615 (2' 1/4")
Weight	119 kg (262.1 lbs.)

Life Raft USCG/SOLAS Range - 20 Persons - Pack A



- Raft includes hydrostatic release and deck mounting cradle.

Order No.	Description	List Price	
458542	Pack A	\$6,933.99	B0-9504260

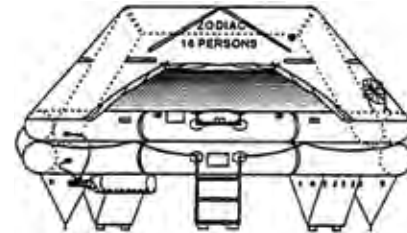
RAFT DIMENSIONS:

	Pack A
Inside Dimensions	3,290 x 3,020
Outside Dimensions	4,050 x 3,722
Total Volume	2,229 dm ³
Required Volume	1,920 dm ³
Interior Area	749 dm ²
Required Area	744 dm ²
Weight	155 kg
Drop Height	36 m

CONTAINER DIMENSIONS:

Length	1,275 (4' 2")
Diameter	735 (2' 5")
Weight	161 kg (254, 6 lbs.)

Life Raft USCG/SOLAS Range - 16 Persons - Pack A



- Raft includes hydrostatic release and deck mounting cradle.

Order No.	Description	List Price	
458530	Pack A	\$6,597.99	B0-9183950

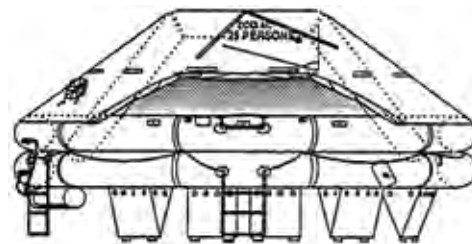
RAFT DIMENSIONS:

	Pack A
Inside Dimensions	2,964 x 2,740
Outside Dimensions	3,676 x 3,398
Total Volume	1,772 dm ³
Required Volume	1,536 dm ³
Interior Area	616, 5 dm ²
Required Area	595, 2 dm ²
Weight	135 kg
Drop Height	36 m

CONTAINER DIMENSIONS:

Length	1,275 (4' 2")
Diameter	615 (2' 1/4")
Weight	134 kg (295, 1 lbs.)

Life Raft USCG/SOLAS Range - 25 Persons - Pack A



- Raft includes hydrostatic release and deck mounting cradle.

Order No.	Description	List Price	
458554	Pack A	\$7,441.99	B0-9779660

RAFT DIMENSIONS:

	Pack A
Inside Dimensions	3,520 x 3,720
Outside Dimensions	4,250 x 4,480
Total Volume	2,799 dm ³
Required Volume	2,400 dm ³
Interior Area	1,004, 6 dm ²
Required Area	930, 2 dm ²
Weight	198 kg
Drop Height	36 m

CONTAINER DIMENSIONS:

Length	1,450 (4' 9")
Diameter	735 (2' 5")
Weight	205 kg (451, 5 lbs.)

- Electronics
- Trolling Motors
- Instruments
- Electrical
- Lighting
- Anchor & Dock
- Safety
- Steering, Controls
- Pumps
- Fuel System
- Seating & Pedestals
- Trailering
- Tops & Covers
- Perform.
- Propellers
- Engine & Care
- Cleaning & Care
- Paint & Paint Acc.
- Fun & Flotation
- Topside Acc.
- Cockpit & Deck
- Hardware, Fasteners
- Camouflage
- Misc.



SPECIAL HANDLING MAY APPLY



Survitec Survival Products OceanMaster Life Rafts



- OceanMaster liferafts are renowned for uncompromising quality and design sophistication.
- In addition to meeting the requirements of the International Convention of the Safety of Life at Sea (SOLAS) 1996, as amended (except for 4-person model), the OceanMaster is manufactured to NATO AQAP 1 quality standards and holds approvals from most major international marine authorities, including the United States Coast Guard and UK Department of Trade.
- Today, there are thousands of OceanMaster liferafts in service on commercial, naval and fishing vessels worldwide.
- Manufactured from polyurethane (PU) coated nylon, ensuring its durability.
- Fully enclosed double skinned high visibility canopy complete with SOLAS-grade reflective tape.
- Non-inflatable easy access boarding ramp.
- Rafts come packed in containers with hydrostatic release unit (HRU) assembly and cradle.
- All models are SOLAS Approved (except for 4-person model) and come with SOLAS "A" Equipment Packs unless otherwise requested.
- USCG Approved.

LOW PROFILE CONTAINER

Order No.	Capacity	Dimensions	List Price	
500072	6 Person	38" x 26.5" x 16.5"	\$4,729.99	BO-9965240

ROUND CONTAINER

Order No.	Capacity	Dimensions	List Price	
500071	6 Person	50" x 21" x 19"	\$4,729.99	BO-9965240
500073	8 Person	50" x 21" x 19"	\$4,997.99	BO-9189440
500078	20 Person	64" x 24.5" x 23"	\$4,281.99	BO-9735830
500081	25 Person	64" x 24.5" x 23"	\$7,841.99	BO-9775070

DBC USCG/SOLAS Seafort Inflatable Life Rafts



Round Container

Suitcase Container

SUITCASE CONTAINER

Type	Equipment Pack	Dimensions	Weight Inc. Cradle
4 Person	Full Ocean/SOLAS 'A'	34" x 23" x 12" (86 x 58 x 30cm)	114 lbs. (52kg)
6 Person	SOLAS 'A'	34" x 23" x 15" (86 x 58 x 38cm)	145 lbs. (66kg)

ROUND CONTAINER

Type	Equipment Pack	Dimensions	Weight Inc. Cradle
8 Person	SOLAS 'A'	40" x 23" (102 x 58cm)	188 lbs. (85kg)
10 Person	SOLAS 'A'	45" x 26" (114 x 66cm)	211 lbs. (96kg)
16 Person	SOLAS 'A'	49" x 27" (125 x 69cm)	332 lbs. (151kg)
25 Person	SOLAS 'A'	54" x 29" (137 x 74cm)	389 lbs. (176kg)
50 Person	SOLAS 'A'	74" x 29" (187 x 74cm)	659 lbs. (299kg)

Call for Price and Availability

- Approved to SOLAS, USCG and CCG.
- Easily accessed inflatable boarding ramp.
- Heavy butyl fabric construction.
- Large Icelandic ballast pockets providing increased stability.
- Full and efficient product support throughout North America.
- 10 year fabric and seam warranty (subject to annual servicing by DBC approved service station).

SPECIAL HANDLING MAY APPLY



- Electronics
- Trolling Motors
- Instruments
- Electrical
- Lighting
- Anchor & Dock
- Safety
- Steering, Controls
- Pumps
- Fuel System
- Seating & Pedestals
- Trailing
- Tops & Covers
- Perform.
- Propellers
- Engine & Care
- Cleaning & Care
- Paint & Paint Acc.
- Fun & Flotation
- Topside Acc.
- Cockpit & Deck
- Hardware, Fasteners
- Camouflage
- Misc.



Crewsaver RescueCase Life Raft



- Six person capacity.
- Compact, lightweight and economical making it well suited for coastal and recreational boaters.
- Fabric is bright yellow to help aid in visual detection by rescuers.
- Comes packed in a lightweight and tough 16-1/2"L x 13"W x 6-1/2"H valise.
- Weight: 25 lbs.
- Has five (5) 1000 lbs. ballast pockets along the bottom.
- Includes loading ladder instead of a stirrup to improve the speed to board.
- CO2 inflation system.
- Six-sided construction.
- Multiple lifelines.

Order No. Mfg. No. / Description
500065 (50-00010)

List Price
\$1,253.99 B0-9582110



Survitec Zodiac RIBO 450 SOLAS Rescue Boat

- This 4.50 m boat is equipped with a righting system and can be launched using a 4-point sling and approved release hook.
- A SOLAS rigid/inflatable rescue boat approved with USCG and EC approval certificates.
- Number of persons: 6.
- Buoyancy volume: 1,458 l / 51.48 cft.
- Length: Overall 14' 9", inside 11' 7". Width: Overall 6' 3", inside 3' 1".
- Buoyancy diameter: From 1' 5" to 1' 7".
- Safety/inflation: 5 airtight compartments, 5 inflation valves and 5 overpressure valves (Leaffield).
- Towing: 2 bow towing rings on hull, 2 towing points on transom, 1 bow towing V with on load release shackle and 1 aft towing V snap hook.
- Hoisting: 2 bow lifting points, 2 aft lifting points on transom and 1 lifting sling.
- Fabric: Neoprene orange fabric, reflective tape, buoyancy and peripheral rubbing stake.
- Hull: GRP composite rigid orange hull, 1 hull drain and reflective tape.
- Transom: 1 self bailer and engine aluminum mounting plate + wooden plate.
- Seating: 2 fixed benches and 1 tilting bench.
- Equipment fixed to the rescue boat: Radar reflector, boat hook, (2) righting lines, positioning light, (2) rescue quoits, towing line - 50m and boarding ladder.

Order No. Mfg. No. / Description
458390 (DRZ34060)

List Price
\$25,285.99 B0-9375722



Palfinger Marine Aluminum Fast Rescue Boat



- Aluminum Fast Rescue Boat (Type FRSQ 600 A 250HP) complete with 250HP Steyr inboard diesel engine and Hamilton 213 water jet, suitable to accommodate 15 seated persons according to IMO/SOLAS. The equipment fully complies with the latest IMO/SOLAS requirements and LSA Code. The equipment will be certified by USCG and will include a USCG certificate.
- The Fast Rescue Boat is constructed of all seawater resistant aluminum (5083) and a 2-layer paint system suitable for the marine environment (Color: Orange RAL 2004).
- Foam fender included.
- Overall Dimensions: 6.18 m (20.28 ft) LOA x 2.11 m (6.92 ft) BOA x 0.40 m (1.31 ft) Draft.
- Speed: Approximately 30 knots with 3 persons.
- Fixed single point arrangement with off load release hook, type CAR-F 35.
- Excluding survival suits, SART, EPIRB, VHF Radio and complete fitted boat cover.

Order No. Mfg. No. / Description
514262 (FRSQ600A) Rescue Boat, Aluminum, USCG SOL
514265 (FRSQ600A) Engine Package

Price on Request
 Price on Request



SPECIAL HANDLING MAY APPLY



Electronics

Trolling Motors

Instruments

Electrical

Lighting

Anchor & Dock

Safety

Steering, Controls

Pumps

Fuel System

Seating & Pedestals

Trailer

Tops & Covers

Perform.

Propellers

Engine & Care

Cleaning & Care

Paint & Paint Acc.

Fun & Flotation

Topside Acc.

Cockpit & Deck

Hardware, Fasteners

Camouflage

Misc.

Comm.

Palfinger Marine USCG/SOLAS Approved Rescue Boat

PALFINGER



- Electronics █
- Trolling Motors █
- Instruments █
- Electrical █
- Lighting █
- Anchor & Dock █
- Safety █
- Steering, Controls █
- Pumps █
- Fuel System █
- Seating & Pedestals █
- Trailing █
- Tops & Covers █
- Perform. █
- Propellers █
- Engine & Care █
- Cleaning & Care █
- Paint & Paint Acc. █
- Fun & Flotation █
- Topside Acc. █
- Cockpit & Deck █
- Hardware, Fasteners █
- Camouflage █
- Misc. █

- The rescue boat, type RSQ 450 A, is designed for long time heavy duty operations under adverse and extreme weather conditions.
- It has been designed especially to rescue people in distress as well as to marshal life rafts.
- It is a rigid rescue boat, completely made of seawater-resistant aluminum.
- The main advantage of aluminum is that it hardly requires any maintenance.
- Contrary to the conventional GRP and especially inflatable rescue boats, the influences of ultraviolet rays and seawater are totally negligible, which obviously works out well to the life span of the RSQ 450 A.
- Maximum people: 6.
- Its V-shaped hull construction guarantees an optimum planing and subsequent sailing speed with excellent stability characteristics.
- Length overall: 4,875 mm. Length hull: 4,320 mm.
- Beam overall: 1,750 mm.

- Lifting arrangement: The rescue boat is equipped with a certified 4-point lifting sling suspension. The certified slings are made from high quality nylon straps. The lifting shackles are made of stainless steel 316.
- Fender: Rubber.

Order No.	Mfg. No. / Description	List Price
514112	(RSQ450A) Rescue Boat	\$20,722.80

ACCESSORIES

Order No.	Mfg. No. / Description	List Price
514102	(RSQ450A-BC) Boat Cover	\$1,047.99
514104	(RSQ450KIT) Anxillary Equipment	\$2,654.49
514110	(25HP) 25 HP Engine Kit	\$7,585.39
514123	(PAL-RBLP) Launching Procedure	\$59.98

Palfinger Marine Hydraulic Pivoting A Frame Davit

PALFINGER



- Hydraulic Pivoting Davit (Type PRHE 35) suitable to handle a FRSQ 600 A 250HP fast rescue boat having a total mass not exceeding 3,500 kg (7,716 lbs) with its full compliment of persons and equipment. The equipment fully complies with the latest IMO/SOLAS requirements and LSA code. The equipment is certified by Bureau Veritas (BV) in accordance with the European Council Directive 96/98 EC on Marine Equipment (M.E.D.), WheelMark. Also includes USCG certificate.
- The above davit includes shock absorber, 42V/450W converter mounted in the starter box for battery charger in fast rescue boat, 2-layer paint system suitable for the marine environment (Color: White RAL 9010) and boat front supports.

• Application	Rescue Boat Handling
• Execution	Single line wire rope
• Safe Working Load (SWL)	3,500 kg (7,716 lbs)
• Outreach	4,014 mm (13.17 ft)
• List/Trim conditions	20°/10°
• Pivoting	Hydraulically by means of accumulated power
• Hoisting	Electrically (18 m/min)
• Hoisting (Emergency)	Manually by means of ratchet handle
• Lowering	Gravity lowering
• Power consumption	Winch motor 18,5 kW; Power pack 3,2 kW
• Duty class	S2-10min
• Power supply	480V/3ph/60Hz
• Anti-condensation heater	In both starter box & winch motor (230V/40W)
• Length Lowest Waterline	10 m.
• Flag State	EC/MED + USCG

Order No.	Mfg. No. / Description	List Price
514267	(PRHE35)	\$98,538.98

SPECIAL HANDLING MAY APPLY



Palfinger Marine Single Arm Hydraulic Slewing Davits

PALFINGER

- Hydraulic slewing davit (Type SCH12-3.5R) suitable to handle a rescue boat type Rib 4 meter at a radius of 3.50 meters and a weight of max 1200 kilograms, including persons, fuel and SOLAS Inventory.
- Application: Rescue Boat Handling.
- Safe Working Load (SWL): 1200 kg.
- Fixed Radius: 3.50 m.
- List/Trim Conditions: 20°/10°.
- Slewing: Hydraulically by means of accumulated power.
- Hoisting: Electrically (18 m/min).
- Hoisting (Emergency): Manually by means of crank handle.
- Lowering: Gravity lowering.
- Power Consumption: Winch Motor 5,5 kW. Power Pack 3,2 kW.
- Duty Class: S2-10min.
- Power Supply: 440V/3ph/60Hz.
- Anti-Condensation Heater: In both starter box and winch motor (230V/40W).
- Complete with steel pedestal and hook.
- USCG/SOLAS Approved.

Order No.	Mfg. No. / Description	List Price	
514098	(SCH12-3.5R) Slews Right	\$59,548.69	BO-2839535
514096	(SCH12-3.5R) Slews Left	\$59,548.69	BO-2839535

AUTO RELEASE HOOK

Order No.	Mfg. No. / Description	List Price	
514099	(CAR35) SOLAS USCG Approval #160.170\EC0062\11175BEC	\$1,829.09	BO-8164610



Palfinger Marine Accessories

PALFINGER

Order No.	Mfg. No. / Description	List Price	
514101	(49PWR-CL) Sterndrive with Pole	\$29.99	HO-9971000
514105	(PM000055) Releaseable Boat Crdl Glv.	\$2,022.69	BO-2402810
514106	(NDM HOSE) Fuel Hose for NDM440	\$295.39	FO-7760200
514113	(10100) Breather, 3/4" for Winch	\$71.98	BO-8746000
514114	(KEY) Key Starter Cab Lock	\$95.98	BO-8368000
514115	(10105) Breather, 3/8" Bronze	\$79.98	BO-8917000
514116	(10101) Breather, HPU 3/8"	\$73.98	BO-8566000
514117	(10137) Breather, 1/4" Bronze	\$79.98	BO-8917000
514118	(10131) Sight Glass, Brass	\$132.98	BO-8691100
514119	(10136) Cable Gland, Brass	\$42.98	BO-8683000
514120	(20000) 7KW E-Motor 440 volt	\$1,895.98	BO-8360710
514125	(20050) Limit Switch	\$1,486.98	BO-8283310
514129	(30207) Hydraulic Pump	\$4,306.29	BO-6657830
514131	(37031) Flow Control Valve	\$282.98	BO-8645200
514134	(37219) Pressure Relief Valve 350 B	\$858.98	BO-8037700
514144	(39509) Pressure Switch 290 BAR	\$460.98	BO-8841400
514147	(39510) Pressure Switch 320 BAR	\$460.98	BO-8841400

Order No.	Mfg. No. / Description	List Price	
514151	(380634) Pressure Gauge 400 BAR	\$124.19	BO-7711100
514163	(12062) Tripline - Green	\$192.39	BO-5137100
514166	(12061) Tripline - Red	\$192.39	BO-5137100
514172	(90001) Service Set A	\$563.09	BO-8760500
514175	(90002) Service Set B	\$1,169.39	BO-5425010
514178	(90037) Service Set C	\$2,441.99	BO-9779120
514181	(363210030) Brake Shoe 04-03 Winch	\$695.98	BO-8362600
514184	(363210036TA) Spring for Brake Exec. A	\$268.98	BO-8024200
514187	(363210036TB) Spring for Brake Exec. B	\$268.98	BO-8024200
514189	(363210036TC) Spring for Brake Exec. C	\$268.98	BO-8024200
514192	(3P-100107EXD) U - RC Sheavehouse	\$160.98	BO-8844100
514193	(3P-100103) Sheave	\$87.98	BO-8197000
514194	(50600) Pin Spanner, Set of 2	\$220.98	DO-8767100
514211	(00913.470.05) Hex Socket Set	\$7.98	DO-8360000
645742	(4ZT33) Button Head/Grease CPLER	\$28.98	BO-8062000
701766	(PRT086-2001) Towing/Painter Line	\$107.99	FO-9557000
771228	(350-0386) "A" Fuel Hose 10'	\$421.99	FO-9359200

**SPECIAL HANDLING MAY APPLY**

- Electronics
- Trolling Motors
- Instruments
- Electrical
- Lighting
- Anchor & Dock
- Safety
- Steering, Controls
- Pumps
- Fuel System
- Seating & Pedestals
- Trailer
- Tops & Covers
- Perform.
- Propellers
- Engine & Care
- Cleaning & Care
- Paint & Paint Acc.
- Fun & Flotation
- Topside Acc.
- Cockpit & Deck
- Hardware, Fasteners
- Camouflage
- Misc.

Comm.

PALFINGER

- Heavy duty knuckle boom cranes (PKM)
- Lifting capacity range - 4,630 lbs to 19,842 lbs
- Please contact Donovan Marine for further assistance.

PKM. Palfinger Marine Knuckle Boom Cranes

Maneuverable and strong at the same time.

PALFINGER MARINE cranes from the PKM range are at home on working, passenger and marine vessels, yachts and docks. Their boom system means flexible outreach, their knuckle boom makes working at close range more comfortable. Operators enjoy the compact parking position, easy maintenance and flexible winch solutions.



- Electronics
- Trolling Motors
- Instruments
- Electrical
- Lighting
- Anchor & Dock
- Safety
- Steering, Controls
- Pumps
- Fuel System
- Seating & Pedestals
- Trailing
- Tops & Covers
- Perform.
- Propellers
- Engine & Care
- Cleaning & Care
- Paint & Paint Acc.
- Fun & Flotation
- Topside Acc.
- Cockpit & Deck
- Hardware, Fasteners
- Camouflage
- Misc.

PALFINGER

- Foldable knuckle boom cranes (PC/PK)
- Lifting capacity range - 2,293 lbs to 66,139 lbs
- Please contact Donovan Marine for further assistance.

PK. Palfinger Marine Knuckle Boom Cranes

Compact all-rounders

As a result of their sophisticated crane geometry, work is effortless for PALFINGER MARINE knuckle boom cranes. They make full use of their strength and flexibility when loading and unloading equipment, material, tools and fishing equipment including handling containers. Due to their compact construction, they can easily be accommodated on small ships and docks where space is at a premium.



- Electronics
- Trolling Motors
- Instruments
- Electrical
- Lighting
- Anchor & Dock
- Safety
- Steering, Controls
- Pumps
- Fuel System
- Seating & Pedestals
- Trailering
- Tops & Covers
- Perform.
- Propellers
- Engine & Care
- Cleaning & Care
- Paint & Paint Acc.
- Fun & Flotation
- Topside Acc.
- Cockpit & Deck
- Hardware, Fasteners
- Camouflage
- Misc.

- Electronics
- Trolling Motors
- Instruments
- Electrical
- Lighting
- Anchor & Dock
- Safety
- Steering, Controls
- Pumps
- Fuel System
- Seating & Pedestals
- Trailing
- Tops & Covers
- Perform.
- Propellers
- Engine & Care
- Cleaning & Care
- Paint & Paint Acc.
- Fun & Flotation
- Topside Acc.
- Cockpit & Deck
- Hardware, Fasteners
- Camouflage
- Misc.

PALFINGER

- Heavy duty foldable cranes (PFM)
- Lifting capacity range - 33,069 lbs to 48,061 lbs
- Please contact Donovan Marine for further assistance.

PFM. Palfinger Marine Heavy Duty Foldable Knuckle Boom Cranes

Lifts extremely heavy loads up to 330.0 mt.

The heavy duty foldable knuckle boom range, PFM, was developed for the highly complex lifting of great loads. Their field of application are large marine vessels i.e. work boats, navy, or research ships. A combination of a telescopic boom and knuckle system makes this giant more flexible compared to common cranes in this field.



PALFINGER

- Telescopic boom cranes (PTM)
- Lifting capacity range - 7,275 lbs to 33,069 lbs
- Please contact Donovan Marine for further assistance.

PTM. Palfinger Marine Telescopic Cranes

Flexible helpers on all seas.

PALFINGER MARINE's range of telescopic cranes demonstrate how compact and flexible marine cranes are. The extending telescopic boom enables flexible adjustment of the outreach to any operating conditions. Shorter cable lengths ensure safe load handling at close range. Operators appreciate the ease of maintenance and high level of safety.



- Electronics
- Trolling Motors
- Instruments
- Electrical
- Lighting
- Anchor & Dock
- Safety
- Steering, Controls
- Pumps
- Fuel System
- Seating & Pedestals
- Trailering
- Tops & Covers
- Perform.
- Propellers
- Engine & Care
- Cleaning & Care
- Paint & Paint Acc.
- Fun & Flotation
- Topside Acc.
- Cockpit & Deck
- Hardware, Fasteners
- Camouflage
- Misc.

PALFINGER

- Stiff boom cranes (PSM)
- Lifting capacity range - 7,716 lbs to 56,438 lbs
- Please contact Donovan Marine for further assistance.

PSM. Palfinger Marine Stiff Boom Cranes

Easily-maintained helpers on the high seas.

Stiff boom cranes by PALFINGER MARINE are impressive due to their exceptional weight/power ratio and their ease to maintain. Their slender design and ability to attach additional winches make them attractive to operators of working, passenger and marine vessels. Dismountable crane booms simplify transport.



- Electronics
- Trolling Motors
- Instruments
- Electrical
- Lighting
- Anchor & Dock
- Safety
- Steering, Controls
- Pumps
- Fuel System
- Seating & Pedestals
- Trailing
- Tops & Covers
- Perform.
- Propellers
- Engine & Care
- Cleaning & Care
- Paint & Paint Acc.
- Fun & Flotation
- Topside Acc.
- Cockpit & Deck
- Hardware, Fasteners
- Camouflage
- Misc.

Palfinger Marine Marine Crane Specification Sheet



Question

Answer

Customer name

Project name or identification Number

Bid Due Date:

New construction or refurbishing project or Vessel Name/Hull Number

Type of Crane : Knuckle Boom, Telescopic Boom, Stiff Boom

Select Palfinger model required : PK,PSM,PTM,PKM or PFM

Application(s) of crane: Marine, Drilling or Other

Will crane be used in Fresh Water or saltwater applications

Lifting capacity ... kg or Lbs at max outreach ... m or ft

Sea-state – YES / NO (If NO, Harbour conditions are used)

Sea-state condition- See ABS sea state chart attached please select 0-9

lifting speed ... m/min or ft/min

hoisting height ... m/min or feet/min

CT - constant tension – YES / NO

Boat / RIB Handling – YES / NO

during launching are people to be sitting in the boat – YES / NO

If yes, estimated total weight of people and gear. Kg or Lbs

quick release hook required – YES / NO

Man riding application – YES / NO-if yes- (Harbor or offshore Operational conditions)

lifting capacity ... kg or Lbs at max outreach in m or ft

lifting speed ... m/min or ft per min

hoisting height ... m/or ft

Power pack – YES / NO if yes please answer next question.

voltage / frequency - 3x 400V / 50Hz or 60 cycle (state Voltage)

ex-proof – YES / NO If yes please answer next question

exact grade of ex-proof execution zone (0...2) Temp (T1-T6) Class I-III

CE - Declaration of conformity – YES / NO

Average ambient operating temperature with 24 hour period

Operating Design temperature of vessel or drilling rig

Class certificate – GL, LRS, ABS, DNV, BVor other

Man riding basket-YES / NO- if yes please advise if DNV or other approval is required

Type of controls: Local , remote, Radio with cable or full radio control.

If any special rules or Regulations which need consideration Yes / No

If awarded what would be the projected start date

Required Delivery time ... weeks

Completed by

Date

Electronics

Trolling
Motors

Instruments

Electrical

Lighting

Anchor
& Dock

Safety

Steering,
Controls

Pumps

Fuel
SystemSeating &
Pedestals

Trailering

Tops &
Covers

Perform.

Propellers

Engine
& CareCleaning
& CarePaint &
Paint Acc.Fun &
FlotationTopside
Acc.Cockpit
& DeckHardware,
Fasteners

Camouflage

Misc.

Comm.

Emergency Drinking Water Pouch



- Triple purified, reverse osmosis, UV sterilized and ozonated.
- Drop tested to 118' (36 meters).
- Withstands temperature range of -22° F to +149° F.
- Single serve package, easy open.
- 5 year shelf life.
- USCG approved.
- 4.2 oz.

Order No.	Mfg. No. / Description	List Price	
436412	(OW12)	\$7.62	CO-8460000

Survival Food Ration



- Each bar is baked with the freshest ingredients and vacuum packaged in specialty designed foil.
- Ready-to-eat, non-thirst provoking and packed with nutrients.
- 5 year shelf life.
- USCG approved.
- 2400 KCAL.

Order No.	Mfg. No. / Description	List Price	
436419	(2400IMO)	\$11.89	CO-1101000

Survitec Group Anti-Seasick Tablets



- Packaged in individual cellophane strip packs.
- 12 pills per strip pack and heat-sealed with instructions in plastic bag.

Order No.	Mfg. No. / Description	List Price	
436394	(50-20-912B)	\$6.79	CO-7750000

Datrex Fishing Kit



- For use in lifeboats and life rafts.
- Weight: 287 grams.
- USCG Approval #160.061/8/1.

Order No.	Mfg. No. / Description	List Price	
436433	(DX1514M)	\$56.59	CO-0184000

Datrex Jackknife with Lanyard and Can Opener



- Includes lanyard.
- Weight: 132 grams.
- Approved for use in lifeboats and life rafts.
- USCG Approval #160.043/6/0.

Order No.	Mfg. No. / Description	List Price	
320790	(DX1510M)	\$31.89	FO-2322000

Datrex Bailer with Lanyard



- For use in lifeboats and life rafts.
- Weight: 224 grams.

Order No.	Mfg. No. / Description	List Price	
851015	(BN0088M)	\$17.39	CO-8741000

Datrex Signal Mirror with Lanyard



- For use in lifeboats and life rafts.
- Weight: 225 grams.
- USCG Approval #160.020/14/0.

Order No.	Mfg. No. / Description	List Price	
436445	(DX1502M)	\$21.29	CO-0181000

Billy Pugh Windsock



- International orange nylon.
- High quality rip stop nylon wind socks.
- Galvanized brackets and extended brackets resist corrosion and wear.
- Standard 18" opening.
- Length 60".

Order No.	Mfg. No. / Description	List Price	
484523	(WS-18)	\$159.49	BO-4534100
484535	(WS-18B) Bracket	\$148.29	BO-6433100

Datrex H2OR Hydrostatic Release Unit for Life Rafts



- Two year disposable.
- Easy installation.
- Activates on a depth < 4 m.
- 6.3 oz. (180 g) weight.
- BV-SOLAS certified.
- Meets SOLAS 74/83.
- USCG Approvals #160.062/5/0 and #160.162/3/2.

Order No.	Mfg. No. / Description	List Price	
436471	(H2006365009)	\$190.59	CO-0026100

- Electronics
- Trolling Motors
- Instruments
- Electrical
- Lighting
- Anchor & Dock
- Safety
- Steering, Controls
- Pumps
- Fuel System
- Seating & Pedestals
- Trailing
- Tops & Covers
- Perform.
- Propellers
- Engine & Care
- Cleaning & Care
- Paint & Paint Acc.
- Fun & Flotation
- Topside Acc.
- Cockpit & Deck
- Hardware, Fasteners
- Camouflage
- Misc.

Billy Pugh OSHA Man Baskets (OMB)



484662



484650



484658



484654

- Designed with your personnel's safety and job satisfaction in mind.
- Whether you are having to work in the air by crane or forklift our baskets will keep you safe.
- Our baskets are built to OSHA standards with heavy duty steel and the exceptional quality.
- Crane baskets offer overhead protection.
- Shock absorbing feet on OMB-1.
- Room for workers and tools.
- Safety guard rail.
- Access gate with automatic latch opens inwardly per European Standards NEN-EN 14502-1 on each.
- Diamond tread plate floor.
- SWL 1,000 lbs. for all OMB Models.

SINGLE MAN BASKET

Order No.	Mfg. No. / Description	Weight	Dimensions	List Price	BO-#
484650	(OMB-1) 300 lbs.	300 lbs.	36" x 36" x 90"	\$22,412.39	BO-5117102

2 MAN BASKET

Order No.	Mfg. No. / Description	Weight	Dimensions	List Price	BO-#
484654	(OMB-2) 550 lbs.	550 lbs.	48" x 48" x 91"	\$12,434.19	BO-7709111

4 MAN BASKET

Order No.	Mfg. No. / Description	Weight	Dimensions	List Price	BO-#
484658	(OMB-4) 750 lbs.	750 lbs.	48" x 80" x 91"	\$14,499.69	BO-2794031

FORKLIFT BASKET

Order No.	Mfg. No. / Description	Weight	Dimensions	List Price	BO-#
484662	(OMB-F) 600 lbs.	600 lbs.	46" x 46" x 67"	\$7,839.09	BO-8155070

Billy Pugh X-904 Offshore Transfer Device (Personnel Baskets)



484702



- Used to quickly and effectively transport personnel on and off of platforms and drilling rigs.
- Made of sturdy and very durable aluminum skeleton that encompasses the rider to protect them from falling objects and any side impact that may occur.
- Equipped with quick release safety lanyards to provide safety and give the rider confidence while in transit.

Order No.	Mfg. No.	Persons	Weight	Dimensions	List Price	BO-#
484690	(X-904-4)	4	655 lbs.	90" x 90" x 34"	\$33,053.89	BO-0584792
484694	(X-904-6)	6	700 lbs.	102" x 102" x 36"	\$44,064.29	BO-6875693
484698	(X-904-8)	8	900 lbs.	102" x 102" x 36"	\$55,079.79	BO-1817594

STORAGE VINYL COVER FOR 4 PERSONS TRANSFER DEVICE (X-904-4)

Order No.	Mfg. No. / Description	List Price	BO-#
484702	(904P-31)	\$2,766.69	BO-2009420

Atlas Personnel Net - 4 Man



- Top lifting ring: 7/8" x 5-1/2" Crosby weldless carbon steel ring.
- Load line: 5/8" 6x36 IWRC galvanized wire rope.
- Stabilizer: 5/8" rubber gum rope. Cover is a double wall nylon sleeve.
- Netting: 3/4" black polypropylene rope.
- Top ring: 32" with 4" flotation padding protected with orange vinyl cover.
- Bottom ring: 74" with 6" flotation padding protected with orange vinyl cover.
- Overall length: 33 ft.
- Legs: Four (4).
- Bottom of net has four (4) rubber chafe pads.
- Working load limit: 5,600 lbs.
- Proof tested to 11,200 lbs.

Order No.	Mfg. No. / Description	List Price	BO-#
244488	(TITAN 254-4)	\$3,064.59	AO-9546030

Need to Refurbish Your X-904?



Donovan Marine is a certified refurbishment company for refurbishing your X-904 Offshore Transfer Device (Personnel Baskets)



SPECIAL HANDLING MAY APPLY



- Electronics
- Trolling Motors
- Instruments
- Electrical
- Lighting
- Anchor & Dock
- Safety
- Steering, Controls
- Pumps
- Fuel System
- Seating & Pedestals
- Trailering
- Tops & Covers
- Perform.
- Propellers
- Engine & Care
- Cleaning & Care
- Paint & Paint Acc.
- Fun & Flotation
- Topside Acc.
- Cockpit & Deck
- Hardware, Fasteners
- Camouflage
- Misc.
- Comm.

Billy Pugh 800 Series Offshore Personnel Transfer Net



- API specification 2C Third Edition, March 1983, Section 5.4 (d). S.W.L. R2500LGS with design factor of 10.
- Lifting ring - 7/8" forged steel.
- Hand spliced eyes (no swages). Safety load line.
- Stabilizer unit covered with plastic impregnated fabric netting lines 3/4" 9,950 lbs. test each.
- Top ring 30" padded.
- Bottom ring overall dimensions 72" with padding.
- Padding is shock absorbing, synthetic floatation material.
- Bottom to top ring: 9'.
- Four entrances to net.
- Overall vertical length 33'.
- Bottom of net - 5 rubber chafe pads.
- ABS equipment type approval program.
- Weight 270 lbs.
- Dimensions: 72" x 72" x 16".
- 4 Persons.

Order No.	Mfg. No. / Description	List Price	
484509	(X-871)	\$5,065.29	BO-6785540

Billy Pugh Collapsible Cargo Basket



- Heavy cargo can be moved into basket in collapsed position reducing potential for lifting associated injuries.
- Inner canvas designed to prevent smaller objects from rolling out.
- Rounded/padded design reduces potential for damage to boats.
- Floor is treated steel pipe.
- 5/8" galvanized lifting cables frame and 3/4" treated plywood bottom.
- Overall basket height: 10'. Diameter 6'.
- Side extension 3'. Collapsed height 1'.
- Weight 300 lbs. Safe working load 3,500 lbs.
- Cable pick-up slings.

Order No.	Mfg. No. / Description	List Price	
484511	(X-8CB)	\$7,890.19	BO-7110170

Billy Pugh Tagline



- Made of polydacron rope and dipped in liquid polyurethane which saturates the rope
- This also provides a non-slip gripping surface by incorporating horizontal wraps either wet or dirty.
- Highly resistant to wrapping or catching on pinch points as they have no knots or raised areas.
- Less affected by deterioration from UV rays because of their urethane coatings.
- Stainless steel thimble eye on one end.
- 1-1/2" overall diameter.

Order No.	Mfg. No. / Description	List Price	
484666	(PTL-1)	\$406.79	BO-1166300

Billy Pugh Personnel Work Basket



- This lightweight basket is designed for those jobs not requiring steel OSHA Man Basket specification.
- This basket is collapsible, flexible but very strong.
- The bottom is fitted with canvas to keep tools or other small objects from falling out.
- Pick-up ring: 7/8" x 5-1/2", with 4 legs - each made of 1" polypropylene.
- Each rope has a tensile strength of 12,600 lbs.
- Top ring: 1-1/2" x 42-1/2" diameter aluminum.
- Overall basket height 14'.
- Weight 118 lbs.
- Dimensions: 48" x 48" x 11-1/2".
- 1-2 Persons.

Order No.	Mfg. No. / Description	List Price	
484499	(PWB-2)	\$3,577.19	BO-7491230

Billy Pugh Stokes Wire Stretcher



- Stokes steel litter with straps.
- Dimensions: 83" L x 25" W x 9" D.
- App. weight: 28 lbs.

Order No.	Mfg. No. / Description	List Price	
484634	(S-1 B PUGH)	\$624.49	BO-4026500
484636	(PU-B B PUGH)	\$275.99	BO-9384200
484648	(FC-S1)	\$626.59	BO-3936500

SPECIAL HANDLING MAY APPLY



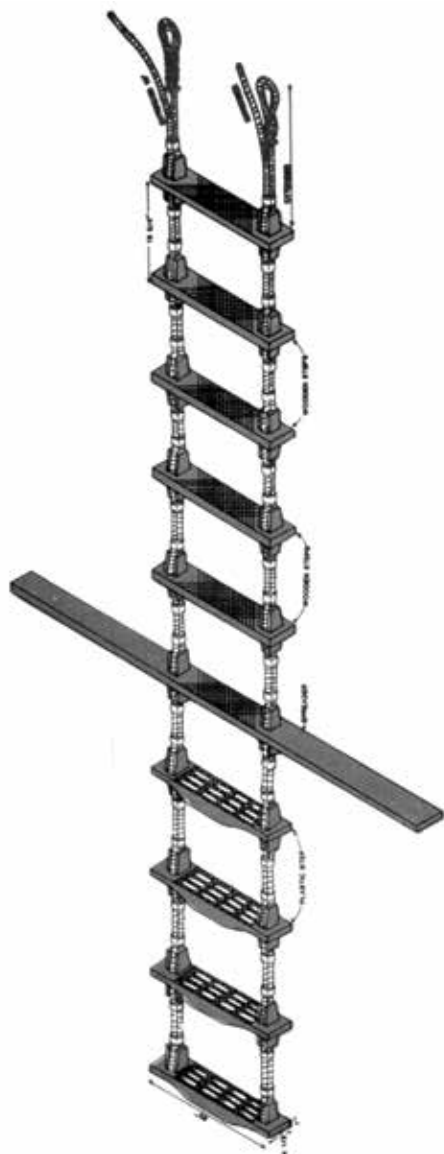
- Electronics
- Trolling Motors
- Instruments
- Electrical
- Lighting
- Anchor & Dock
- Safety
- Steering, Controls
- Pumps
- Fuel System
- Seating & Pedestals
- Trailering
- Tops & Covers
- Perform.
- Propellers
- Engine & Care
- Cleaning & Care
- Paint & Paint Acc.
- Fun & Flotation
- Topside Acc.
- Cockpit & Deck
- Hardware, Fasteners
- Camouflage
- Misc.



Comm.

Apollo Pilot Ladders

Pilot Ladder Classified by Underwriters Laboratories, Inc. In accordance with USCG Regulation Title 46 Chapter 1 Part 163.003



ADONIC I PILOT LADDER

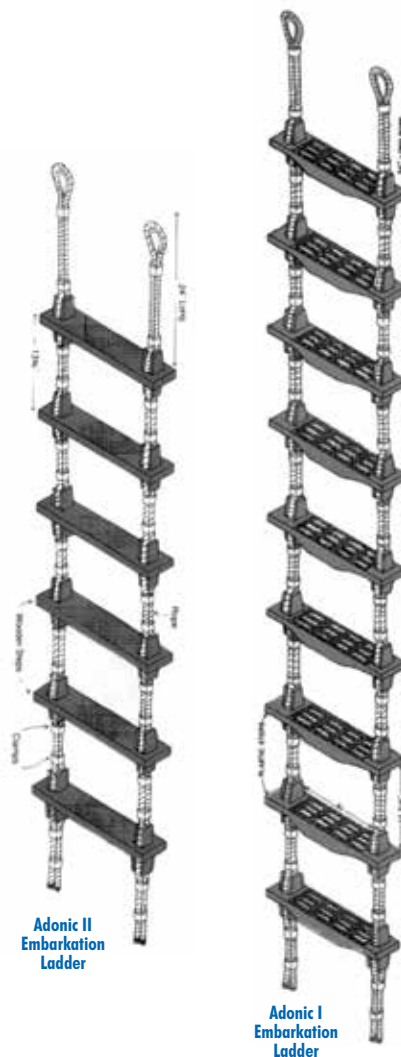
- USCG Approval #163.003/19/0.
- Meets and exceeds SOLAS standards.
- Tested by Underwriters Laboratories, Inc. with a drop test of 150 ft. maximum length.
- Each step tested 2,000 lbs.
- Steps and spreaders: Painted International Orange, molded polyurethane made by Rubber Millers, Inc.
- Rope: Polypro-dacron with white outer jacket and orange inner core for safety.
- Clamp - 6063 alloy aluminum.
- Replacement steps are designed to be replaced quickly and easily right on board the vessel.
- No need to unstring the ladder or special tools required.
- All pilot ladders are sold by the foot.

ADONIC II PILOT LADDER

- USCG Approval #163.003/12/0.
- Meets and exceeds SOLAS standards.
- Each step tested 2,000 lbs.
- Steps and spreaders: Wood oak, non skid grit, diamond groove and painted International Orange.
- Rope: 3/4" Synflex Poly-Plus.
- Clamp - 6063 alloy aluminum.

Apollo Embarkation Ladders

Embarkation-Debarcation Equivalent to Chain Ladder Classified by Underwriters Laboratories, Inc. In accordance with USCG Regulation Title 46 Chapter 1 Part 160.017



Adonic II
Embarkation
Ladder

Adonic I
Embarkation
Ladder

ADONIC I EMBARKATION LADDER

- Equivalent to chain ladder.
- USCG Approval #160.017/61/0.
- Meets and exceeds SOLAS standards.
- Tested by Underwriters Laboratories, Inc. with a drop test of 150 ft. maximum length.
- Each step tested 2,000 lbs.
- Steps: Painted International Orange, molded polyurethane made by Rubber Millers, Inc.
- Rope: Polypro-dacron with white outer jacket and orange inner core for safety.
- Clamp - 6063 alloy aluminum.
- Replacement steps are designed to be replaced quickly and easily right on board the vessel.
- No need to unstring the ladder or special tools required.
- All embarkation ladders are sold by the foot.
- All ladders are sold by the foot.

ADONIC II EMBARKATION/DEBARKATION LADDER

- Equivalent to chain ladder.
- USCG Approval #160.017/58/0.
- Meets and exceeds SOLAS standards.
- Each step tested 2,000 lbs.
- Steps: Wood oak, non skid grit, diamond groove and painted International Orange.
- Rope: 3/4" Synflex Poly-Plus.
- Clamp - 6063 alloy aluminum.



Perko Fig. 309B Series All-Round Lights - Pipe Mount



529620

- Plain cast bronze.
- Medium screw base type electrical socket.
- 2 mile visibility.
- Certified for replacement use only.
- Use on power driven vessels under 20 meters in length.
- Overall height 6-1/2".
- Tapped pipe size 1/2".
- Requires frosted medium screw bulb (Not included).

Order No.	Mfg. No. / Description		15 watt Bulb	List Price	
527880	(0309 B00 PLB)	White	15 watt Bulb	\$255.99	F0-9197100
527892	(0309 RBO PLB)	Red	25 watt Bulb	\$255.99	F0-9197100
527905	(0309 GBO PLB)	Green	25 watt Bulb	\$255.99	F0-9197100
529620	(0226)	Medium Screw Base Socket		\$18.59	F0-1031000

Perko Fig. 108 Series All-Round Navigation Light Sets



- Black polymer with festoon type electrical socket.
- Base is tapped for 1/2" pipe or can be removed for surface mounting with #10 fasteners.
- 2 mile visibility. Visibility arc: 360°.
- Use on power driven vessels under 20 meters in length.
- Height 6", base OD 3-1/8", lens height 5".
- For 12, 24 or 32 volt bulbs. Bulbs not included.
- Note: White light (527828) supplied with a grey tinted globe.

Order No.	Mfg. No. / Description		List Price	
527828	(0108 000 BLK)	White	\$113.29	F0-0397000
527830	(0108 G00 BLK)	Green	\$113.29	F0-0397000
527842	(0108 R00 BLK)	Red	\$113.29	F0-0397000
541638	(0070 DP1 CLR)	Spare Bulbs 12V (2 Per Pack)	\$15.99	F0-9111000
541501	(0067 DP2 CLR)	Spare Bulbs 24V (2 Per Pack)	\$19.49	F0-4631000
541640	(0070 DP2 CLR)	Spare Bulbs 32V (2 Per Pack)	\$17.19	F0-3021000

Perko Fig. 106 Series Spare Globes



- Spare globes for Perko Figs. 108, 112 and 309 All-Round Lights.

Order No.	Mfg. No. / Description		List Price	
529000	(0106 000 WHT)	White	\$92.39	F0-7646000
529012	(0106 000 GRN)	Green	\$92.39	F0-7646000
529024	(0106 000 YLW)	Yellow	\$92.39	F0-7646000
529036	(0106 000 RED)	Red	\$92.39	F0-7646000

Perko Fig. 112B All-Round Light - Fixed Mount



529620

- Plain cast bronze.
- Medium screw base type electrical socket.
- 2 mile visibility.
- Certified for replacement use only.
- Use on power driven vessels under 20 meters in length.
- Overall height 8-3/4", base OD 3-1/8".
- Uses #8 fasteners.
- Requires 15 watt frosted medium screw bulb (Not included).

Order No.	Mfg. No. / Description		List Price	
527854	(0112 B00 PLB)		\$340.09	F0-6083200
529620	(0226)	Medium Screw Base Socket	\$18.59	F0-1031000

Perko Figs. 109, 110 and 111 Series Navigation Light Sets



527703

527715

527690

527727

527739

- Black polymer.
- Use on power driven vessels under 20 meters in length.
- Overall height 5-1/4".
- Lens height 4-1/4".
- Uses #10 fasteners.
- For 12 or 24 volt bulbs. Bulbs not included.

Order No.	Mfg. No. / Description	Visibility (Arc)	List Price	
527703	(0109 G00 BLK) Green Side	2 Mile (112-1/2°)	\$125.09	F0-6578000
527690	(0109 R00 BLK) Red Side	2 Mile (112-1/2°)	\$125.09	F0-6578000
527715	(0110 000 BLK) White Masthead	3 Mile (225°)	\$125.09	F0-6578000
527727	(0111 000 BLK) White Stern	2 Mile (135°)	\$125.09	F0-6578000
527739	(0111 M00 BLK) Yellow Towing	2 Mile (135°)	\$125.09	F0-6578000

SPARE BULBS (2 PER PACK)

Order No.	Mfg. No. / Description	List Price	
541638	(0070DP1CLR) 12 volt	\$15.99	F0-9111000
541501	(0067 DP2 CLR) 24 volt	\$19.49	F0-4631000

Electronics
Trolling Motors
Instruments
Electrical
Lighting
Anchor & Dock
Safety
Steering, Controls
Pumps
Fuel System
Seating & Pedestals
Trailing
Tops & Covers
Perform.
Propellers
Engine & Care
Cleaning & Care
Paint & Paint Acc.
Fun & Flotation
Topside Acc.
Cockpit & Deck
Hardware, Fasteners
Camouflage
Misc.
Comm.

Perko Fig. 200 Series Navigation Light Sets



535641



535640



535646



535645



529618

- Black polymer.
- Use on sail or power driven vessels under 20 meters in length.
- Base mount with #10 fasteners or use **535840** (222 DPO BLK) pipe mounting bracket.
- Height: 4-7/8", Base OD: 3-5/16".
- Spare bulbs for **535646** and **535652** - Use Perko Fig. 375 12 volt bulb (**528503**).
- Spare bulbs for **535640**, **535641** and **535645** - Use Perko Fig. 375 12 volt bulb (**528515**).
- 12 volt bulb included.

Order No.	Mfg. No.	Description	Visibility Mile	Visibility Arc	List Price	
535640	(0200 SDB DP1)	Green Side	2	112-1/2°	\$147.99	F0-9530100
535641	(0200 PBO DP1)	Red Side	2	112-1/2°	\$147.99	F0-9530100
535645	(0200 MBO DP1)	White Masthead	3	225°	\$147.99	F0-9530100
535646	(0200 SNB DP1)	White Stern	2	135°	\$147.99	F0-9530100
535652	(0200 SWB DP1)	White All-Round	2	360°	\$147.99	F0-9530100
529618	(0093)	Replacement Bulb Socket			\$33.09	F0-6132000

Perko Fig. 222 Pipe Mounting Bracket



- Black polymer.
- Screws and soft black mounting gasket for mounting bracket to light.
- Overall OD 3-5/16".

Order No.	Mfg. No. / Description	List Price
535840	(0222 DPO BLK)	\$17.39 F0-7121000

Perko Fig. 375 Double Contact Bayonet Indexing Base Bulbs



Order No.	Mfg. No. / Description	List Price
528503	(0375 12V 10W) 12 volt 10 watt .83 amp	\$50.49 F0-4353000
528515	(0375 12V 25W) 12 volt 25 watt 2.08 amp	\$55.49 F0-4883000
528527	(0375 24V 25W) 24 volt 25 watt 1.04 amp	\$54.59 F0-1283000
528539	(0375 32V 25W) 32 volt 25 watt .78 amp	\$68.59 F0-1084000

Perko Fig. 1377 - 1380 Series Single L.E.D. Navigation Light Sets



526164



526159



526174



526154



526169



526189



526179



526184

- Black polymer.
- Pre-wired with 3' of 18/3-50 cable.
- Translucent color specific insert on top of light for easy identification.
- For use on vessels 20 meters to 50 meters in length.
- Height overall: 6", vertical height: 3-1/2".
- Uses 1/4" fasteners.
- LED: Operates on 120/240 VAC system.

Order No.	Mfg. No.	Description	Visibility Mile	Visibility Arc	List Price	
526154	(1377 G00 BLK)	Green Side	2	112-1/2°	\$698.59	BO-3782600
526159	(1377 R00 BLK)	Red Side	2	112-1/2°	\$698.59	BO-3782600
526164	(1378 000 BLK)	White Masthead	5	225°	\$814.39	BO-5923700
526169	(1379 000 BLK)	White Stern	2	135°	\$698.59	BO-3782600
526174	(1379 M00 BLK)	Yellow Towing	2	135°	\$698.59	BO-3782600
526179	(1380 000 BLK)	White All-Round	2	360°	\$698.59	BO-3782600
526184	(1380 G00 BLK)	Green All-Round	2	360°	\$698.59	BO-3782600
526189	(1380 R00 BLK)	Red All-Round	2	360°	\$698.59	BO-3782600

Perko Fig. 309A Series Pipe Mount All-Round Light Sets



- Plain cast bronze.
- Complete with double contact electrical socket.
- 2 mile visibility.
- For use on vessels 20 meters to 50 meters in length.
- Overall height 6-1/2", tapped pipe size 1/2".
- Bulbs not included.

Order No.	Mfg. No. / Description	List Price
524822	(0309 A00 PLB) White	\$256.69 D0-5350200
524834	(0309 RAO PLB) Red	\$256.69 D0-5350200
528387	(0374 001 CLR) Spare Bulbs 12V	\$71.69 F0-8105000
528399	(0374 002 CLR) Spare Bulbs 24V	\$71.69 F0-8105000
528402	(0374 003 CLR) Spare Bulbs 32V	\$71.69 F0-8105000
528414	(0374 004 CLR) Spare Bulbs 120V	\$79.89 F0-2955000

- Electronics
- Trolling Motors
- Instruments
- Electrical
- Lighting
- Anchor & Dock
- Safety
- Steering, Controls
- Pumps
- Fuel System
- Seating & Pedestals
- Trailer
- Tops & Covers
- Perform.
- Propellers
- Engine & Care
- Cleaning & Care
- Paint & Paint Acc.
- Fun & Flotation
- Topside Acc.
- Cockpit & Deck
- Hardware, Fasteners
- Camouflage
- Misc.
- Comm.

Perko Figs. 1127 - 1130 Series Navigation Light Sets



525937

525913

525901

525987

525999

525951

526105

- Black polymer.
- Pre-wired double contact socket and 3' of 16/3-50 cable.
- Watertight access cap for rebulbing and cleaning.
- For use on vessels 20 meters to 50 meters in length.
- UL Standard 1104, 72 COLREGS and US inland rules.
- Height overall: 7-1/2", height lens: 4-1/2".
- Uses 1/4" fasteners.
- Bulbs: 12, 24, 32 or 120 volt (Not included). Use Perko Fig. 374 Double Contact Bayonet Bulbs.

*White lights have grey tinted lens.

Order No.	Mfg. No.	Description	Visibility Mile	Visibility Arc	List Price	
525901	(1127 GAO BLK)	Green Side	2	112-1/2°	\$221.19	D0-5967100
525913	(1127 RAO BLK)	Red Side	2	112-1/2°	\$221.19	D0-5967100
525937	(1128 A00 BLK)	White Masthead	5	225°	\$221.19	D0-5967100
525951	(1129 A00 BLK)	White Stern*	2	135°	\$221.19	D0-5967100
525963	(1129 MA0 BLK)	Yellow Towing	2	135°	\$221.19	D0-5967100
525987	(1130 A00 BLK)	White All-Round*2	2	360°	\$221.19	D0-5967100
525999	(1130 GAO BLK)	Green All-Round	2	360°	\$221.19	D0-5967100
526105	(1130 RAO BLK)	Red All-Round	2	360°	\$221.19	D0-5967100

SPARE LENS AND ACCESSORIES

Order No.	Mfg. No. / Description	List Price	
535419	(0249 000 RED) Spare Red Lens	\$153.99	A0-9935100
535421	(0249 000 GRN) Spare Green Lens	\$153.99	A0-9935100
535433	(0249 000 GRY) Spare Gray Lens	\$153.99	A0-9935100
529466	(0134) Spare Double Contact Socket	\$27.59	A0-9572000
529860	(1105 000 BLK) Spare Access Cap with Chain	\$36.59	A0-9563000
529872	(1119) Spare O-Ring for Cap	\$6.09	A0-9060000

IMPORTANT BULB DATA

- To comply with UL Standard A-1104 (A.B.Y.C.), these lights must use a Perko Fig. 374 bulb.

REPLACEMENT BULBS - CLEAR

Order No.	Mfg. No. / Description	List Price	
528387	(0374 001 CLR) 12 volt	\$71.69	F0-8105000
528399	(0374 002 CLR) 24 volt	\$71.69	F0-8105000
528402	(0374 003 CLR) 32 volt	\$71.69	F0-8105000
528414	(0374 004 CLR) 120 volt	\$79.89	F0-2955000

Perko Figs. 1150, 1151 and 1152 Series Navigation Light Sets



524682

524668

524656

524707

- Sheet metal, preprimed galvanized steel.
- Medium prefocus socket.
- Watertight terminal tube for 16/3-50 cable.
- Watertight access cap for rebulbing and cleaning.
- For use on vessels 20 meters to 50 meters in length.
- UL Standard 1104, 72 COLREGS and US inland rules.
- Height overall: 11-1/2", height lens: 6-3/4".
- Uses 1/4" fasteners.
- Bulb: 120 volt only (Not included). Use Perko Fig. 342 Medium Prefocus Bulbs.

Order No.	Mfg. No.	Description	Visibility Mile	Visibility Arc	List Price	
524656	(1150 GE1 GAL)	Green Side	2	112-1/2°	\$531.19	A0-9113500
524668	(1150 RE1 GAL)	Red Side	2	112-1/2°	\$531.19	A0-9113500
524682	(1151 E01 GAL)	White Masthead	5	225°	\$563.79	A0-9736500
524707	(1152 E01 GAL)	White Stern	2	135°	\$563.79	A0-9736500

SPARE ACCESSORIES

Order No.	Mfg. No. / Description	List Price	
529404	(0347 A00) Spare Medium Prefocus Socket	\$67.69	A0-9676000
529860	(1105 000 BLK) Spare Access Cap with Chain	\$36.59	A0-9563000
529872	(1119) Spare O-Ring for Cap	\$6.09	A0-9060000
528286	(0342 004 CLR) Spare Bulb - 120 volt, 60 watt	\$51.99	D0-9514000

Perko Fig. 1150 Series Navigation Light Set



- Sheet metal, preprimed galvanized steel.
- Medium prefocus socket.
- Watertight terminal tube for 16/3-50 cable.
- Watertight access cap for rebulbing and cleaning.
- For use on vessels over 20 meters in length.
- UL Standard 1104, 72 COLREGS and US inland rules.
- Height overall: 13-1/2", height lens: 7-1/2".
- Visibility miles: 3, visibility arc: 112-1/2°.
- Uses 1/4" fasteners.
- Bulb: 120 volt only (Not included). Use Perko Fig. 342 Medium Prefocus Bulbs.

Order No.	Mfg. No. / Description	List Price	
524353	(1150 GE2 GAL) Green Side	\$399.00	Z0-0099300

LIMITED QUANTITIES

- Electronics
- Trolling Motors
- Instruments
- Electrical
- Lighting
- Anchor & Dock
- Safety
- Steering, Controls
- Pumps
- Fuel System
- Seating & Pedestals
- Trailing
- Tops & Covers
- Perform.
- Propellers
- Engine & Care
- Cleaning & Care
- Paint & Paint Acc.
- Fun & Flotation
- Topside Acc.
- Cockpit & Deck
- Hardware, Fasteners
- Camouflage
- Misc.
- Comm.

Perko Figs. 1369 - 1374 Series Single Lens Navigation Light Sets



- Lightweight but durable fiber-filled black polymer.
- Pre-wired medium prefocus socket.
- Includes: (1) 3' length of 16/3-SO cable through watertight terminal tubes.
- Watertight access cap for rebulbing and cleaning.
- For use on vessels over 20 meters in length.
- UL Standard 1104, 72 COLREGS and US inland rules.
- Height overall: 9-1/4", height lens: 6-3/4".
- Mounting bolt size: 3/8".
- Bulbs: 24, 120 or 220 volt (Not included). Use Perko Fig. 342 Medium Prefocus Bulbs. Rough service bulbs are available.

*White lights have grey tinted lens.

Order No.	Mfg. No.	Description	Visibility Mile	Visibility Arc	List Price	
523438	(1372 GEO BLK)	Green Side	3	112-1/2°	\$365.29	A0-9256300
523440	(1372 REO BLK)	Red Side	3	112-1/2°	\$365.29	A0-9256300
523452	(1373 E00 BLK)	White Masthead	6	225°	\$365.29	A0-9256300
523464	(1374 E00 BLK)	White Stern*	3	135°	\$365.29	A0-9256300
523476	(1374 MEO BLK)	Yellow Towing	3	135°	\$365.29	A0-9256300
523488	(1369 E00 BLK)	White All-Round*	3	360°	\$350.99	A0-9905300
523490	(1370 REO BLK)	Red All-Round	3	360°	\$350.89	A0-9805300

REPLACEMENT BULBS - CLEAR

Order No.	Mfg. No. / Description	List Price	
528289	(0342 024 CLR) 24 volt 55 watt	\$87.49	D0-9996000
528286	(0342 004 CLR) 120 volt 60 watt	\$51.99	D0-9514000
528292	(0342 220 CLR) 220 volt 65 watt	\$73.39	D0-1785000

REPLACEMENT BULBS - DESIGNED FOR ROUGH SERVICE

Order No.	Mfg. No. / Description	List Price	
528298	(0342 RS4 CLR) 120 volt 60 watt	\$76.69	D0-5316000

IMPORTANT BULB DATA

- To comply with UL Standard A-1104 (A.B.Y.C.), these lights must be used with the following Perko bulbs: 24 volt use - 528289 (342 024 CLR) bulb, 120 volt use 528286 (342 004 CLR) bulb or 528298 (342 RS4 CLR) bulb when a "Rough Service" bulb is required and 220 volt use 528292 (342 220 CLR) bulb.

Perko Figs. 1364 - 1368 Series Double Lens Navigation Light Sets



- Lightweight but durable fiber-filled black polymer.
 - Pre-wired medium prefocus socket.
 - Includes: (2) 3' lengths of 16/3-SO cable through watertight terminal tubes.
 - Watertight access cap for rebulbing and cleaning.
 - For use on vessels over 20 meters in length.
 - UL Standard 1104, 72 COLREGS and US inland rules.
 - Height overall: 17-1/4", height lens: 6-3/4".
 - Mounting bolt size: 3/8".
 - Bulbs: 24, 120 or 220 volt (Not included). Use Perko Fig. 342 Medium Prefocus Bulbs. Rough service bulbs are available.
- *White lights have grey tinted lens.

Order No.	Mfg. No.	Description	Visibility Mile	Visibility Arc	List Price	
523351	(1364 GEO BLK)	Green Side	3	112-1/2°	\$488.39	A0-9388400
523363	(1364 REO BLK)	Red Side	3	112-1/2°	\$488.39	A0-9388400
523375	(1365 E00 BLK)	White Masthead	6	225°	\$488.39	A0-9388400
523387	(1366 E00 BLK)	White Stern*	3	135°	\$488.39	A0-9388400
523399	(1366 MEO BLK)	Yellow Towing	3	135°	\$488.39	A0-9388400
523402	(1367 E00 BLK)	White All-Round*	3	360°	\$468.69	A0-9686400
523414	(1368 GEO BLK)	Green All-Round	3	360°	\$468.69	A0-9686400
523426	(1368 REO BLK)	Red All-Round	3	360°	\$468.69	A0-9686400

REPLACEMENT BULBS - CLEAR

Order No.	Mfg. No. / Description	List Price	
528289	(0342 024 CLR) 24 volt 55 watt	\$87.49	D0-9996000
528286	(0342 004 CLR) 120 volt 60 watt	\$51.99	D0-9514000
528292	(0342 220 CLR) 220 volt 65 watt	\$73.39	D0-1785000

REPLACEMENT BULBS - DESIGNED FOR ROUGH SERVICE

Order No.	Mfg. No. / Description	List Price	
528298	(0342 RS4 CLR) 120 volt 60 watt	\$76.69	D0-5316000

IMPORTANT BULB DATA

- To comply with UL Standard A-1104 (A.B.Y.C.), these lights must be used with the following Perko bulbs: 24 volt use - 528289 (342 024 CLR) bulb, 120 volt use 528286 (342 004 CLR) bulb or 528298 (342 RS4 CLR) bulb when a "Rough Service" bulb is required and 220 volt use 528292 (342 220 CLR) bulb.

- Electronics
- Trolling Motors
- Instruments
- Electrical
- Lighting
- Anchor & Dock
- Safety
- Steering, Controls
- Pumps
- Fuel System
- Seating & Pedestals
- Trailering
- Tops & Covers
- Perform.
- Propellers
- Engine & Care
- Cleaning & Care
- Paint & Paint Acc.
- Fun & Flotation
- Topside Acc.
- Cockpit & Deck
- Hardware, Fasteners
- Camouflage
- Misc.
- Comm.

Perko Figs. 1169 - 1174 Series Single Lens Navigation Light Sets



- Heavy duty cast bronze.
 - Pre-wired medium prefocus socket.
 - Includes: (1) 3' length of 16/3-50 cable through a watertight terminal tube.
 - Watertight access cap for rebulbing and cleaning.
 - For use on vessels over 20 meters in length.
 - UL Standard 1104, 72 COLREGS and US inland rules.
 - Height overall: 9-1/4", height lens: 6-3/4".
 - Mounting bolt size: 3/8".
 - Bulb: 120 volt only (Not included). Use Perko Fig. 342 Medium Prefocus Bulbs. Rough service bulbs are available.
- *White lights have grey tinted lens.

Order No.	Mfg. No.	Description	Visibility Mile	Visibility Arc	List Price	
523882	(1169 E00 PLB)	White All-Round*	3	360°	\$679.89	A0-9897600
523919	(1170 RE0 PLB)	Red All-Round	3	360°	\$679.89	A0-9897600

SPARE ACCESSORIES

Order No.	Mfg. No. / Description	List Price	
529808	(1133) Spare Lens Retaining Clip with Bolt	\$20.39	A0-9302000
529810	(1143) Spare Lens Gasket	\$9.69	A0-9690000
529860	(1105 000 BLK) Spare Access Cap with Chain	\$36.59	A0-9563000
529872	(1119) Spare O-Ring for Cap	\$6.09	A0-9060000

REPLACEMENT BULBS - 120 volt, 60 watt

Order No.	Mfg. No. / Description	List Price	
528286	(0342 004 CLR) Clear	\$51.99	D0-9514000
528298	(0342 RS4 CLR) Rough Service	\$76.69	D0-5316000

Perko Spare 360° Lenses for All-Round Lights



- Fits 1169-1174 and 1164-1168 Series Navigation Lights.
- Overall height 6-3/4". Diameter opening: 5-1/8".

Order No.	Mfg. No. / Description	List Price	
528807	(0261 001 CLR) White	\$134.59	A0-9543100
528818	(0261 001 GRN) Green	\$134.59	A0-9543100
528820	(0261 001 YLW) Yellow	\$134.59	A0-9543100
528832	(0261 001 RED) Red	\$134.59	A0-9543100

Perko Fig. 303 Dual Medium Prefocus Socket Assembly



- Phenolic. 250 volts, 1,000 watts.
- Prewired with two medium prefocus sockets.
- For use in 1164 Series double lens lights.
- Overall height 3-7/8", overall width 3-7/8".

Order No.	Mfg. No. / Description	List Price	
529428	(0303)	\$186.59	A0-9568100
529430	(0303 A00) Male Plug Only	\$14.39	A0-9341000
529442	(0303 B00) Female Socket Only	\$11.59	A0-9511000

Perko Figs. 1164 - 1168 Series Double Lens Navigation Light Sets



- Heavy duty cast bronze.
 - Pre-wired medium prefocus socket in each compartment.
 - Includes: (2) 3' length of 16/3-50 cable through a watertight terminal tubes.
 - Watertight access cap for rebulbing and cleaning.
 - For use on vessels over 20 meters in length.
 - UL Standard 1104, 72 COLREGS and US inland rules.
 - Height overall: 17-1/4", height lens: 6-3/4".
 - Mounting bolt size: 3/8".
 - Bulb: 120 volt only (Not included). Use Perko Fig. 342 Medium Prefocus Bulbs. Rough service bulbs are available.
- *White lights have grey tinted lens.

Order No.	Mfg. No.	Description	Visibility Mile	Visibility Arc	List Price	
523503	(1164 GE0 PLB)	Green Side	3	112-1/2°	\$1,084.89	A0-9848010
523515	(1164 RE0 PLB)	Red Side	3	112-1/2°	\$1,084.89	A0-9848010
523541	(1165 E00 PLB)	White Masthead	6	225°	\$1,084.89	A0-9848010
523565	(1166 E00 PLB)	White Stern*	3	135°	\$1,084.89	A0-9848010
523577	(1166 ME0 PLB)	Yellow Towing	3	135°	\$1,084.89	A0-9848010
523591	(1167 E00 PLB)	White All-Round*	3	360°	\$1,068.99	A0-9986010

SPARE ACCESSORIES

Order No.	Mfg. No. / Description	List Price	
529808	(1133) Spare Lens Retaining Clip with Bolt	\$20.39	A0-9302000
529810	(1143) Spare Lens Gasket	\$9.69	A0-9690000
529860	(1105 000 BLK) Spare Access Cap with Chain	\$36.59	A0-9563000
529872	(1119) Spare O-Ring for Cap	\$6.09	A0-9060000

REPLACEMENT BULBS - 120 volt, 60 watt

Order No.	Mfg. No. / Description	List Price	
528286	(0342 004 CLR) Clear	\$51.99	D0-9514000
528298	(0342 RS4 CLR) Rough Service	\$76.69	D0-5316000

- Electronics
- Trolling Motors
- Instruments
- Electrical
- Lighting
- Anchor & Dock
- Safety
- Steering, Controls
- Pumps
- Fuel System
- Seating & Pedestals
- Trailering
- Tops & Covers
- Perform.
- Propellers
- Engine & Care
- Cleaning & Care
- Paint & Paint Acc.
- Fun & Flotation
- Topside Acc.
- Cockpit & Deck
- Hardware, Fasteners
- Camouflage
- Misc.

Perko Fig. 1129 Panama Canal Blue Steering Light



- Black polymer.
- Pre-wired double contact socket with 3' of 16/3-SJO cable.
- For use on vessels of any length.
- Height overall: 7-1/2", height lens: 4-1/4" .
- Visibility arc 135°.
- Bulb: 12, 24, 32 or 120 volt (Not included).

Order No.	Mfg. No. / Description	List Price	
525975	(1129 BAO BLK)	\$368.09	D0-7449200

SPARE ACCESSORIES

Order No.	Mfg. No. / Description	List Price	
529466	(0134) Spare Double Contact Socket	\$27.59	A0-9572000
529860	(1105 000 BLK) Spare Access Cap with Chain	\$36.59	A0-9563000
529872	(1119) Spare O-Ring for Cap	\$6.09	A0-9060000

REPLACEMENT BULBS - CLEAR

Order No.	Mfg. No. / Description	List Price	
528387	(0374 001 CLR) 12 volt 30 watt	\$71.69	F0-8105000
528399	(0374 002 CLR) 24 volt 30 watt	\$71.69	F0-8105000
528402	(0374 003 CLR) 32 volt 30 watt	\$71.69	F0-8105000
528414	(0374 004 CLR) 120 volt 30 watt	\$79.89	F0-2955000

IMPORTANT BULB DATA

- To comply with Panama Canal Requirements this light must use a Perko Fig. 374 bulb.

Barge Lights



Order No.	Mfg. No. / Description	List Price	
273209	(100MD46LA) Amber	\$163.89	B0-0574100
273211	(100MD46LCL) Clear	\$163.89	B0-0574100
273223	(100MD46LRD) Red	\$163.89	B0-0574100
273235	(100MD46LGR) Green	\$163.89	B0-0574100

Perko Fig. 1111 Special Purpose Flashing Yellow Light



- Sheet metal, preprimed galvanized steel.
- Medium prefocus socket.
- Watertight terminal tube for 16/3-SJO cable.
- For use on vessels of any length.
- Height overall: 11-1/2", height lens: 6-3/4" .
- Visibility miles: 2, visibility arc: 225°.
- Flashes per minute: 50 - 70.
- Bulb: 120 volt only (Not included). Use Perko Fig. 342 Medium Prefocus Bulbs. Rough service bulbs are available.
- Designed to meet Federal Requirements for Flashing Yellow 180° - 225° light for barges, canal boats, etc., that are being pushed ahead or towed along side of a tug boat.

Order No.	Mfg. No. / Description	List Price	
524771	(1111 ME1 GAL)	\$631.89	A0-9813600

SPARE ACCESSORIES

Order No.	Mfg. No. / Description	List Price	
529909	(0133) Spare Flasher Unit	\$154.89	A0-9845100
529404	(0347 A00) Spare Medium Prefocus Socket	\$67.69	A0-9676000
529860	(1105 000 BLK) Spare Access Cap with Chain	\$36.59	A0-9563000
529872	(1119) Spare O-Ring for Cap	\$6.09	A0-9060000

REPLACEMENT BULBS - 120 volt, 60 watt

Order No.	Mfg. No. / Description	List Price	
528286	(0342 004 CLR) Clear	\$51.99	D0-9514000
528298	(0342 RS4 CLR) Rough Service	\$76.69	D0-5316000

JDS Safety Lights Solar Barge Navigation Lights



- Autonomy -12 nights without sun, Solar Panel Monocrystalline: 4v 0.5w.
- 125,000 hour life span.
- Meets IALA, and U.S.C.G. COLREGS.
- Material: Poly Carbonate, Battery: Aluminum Iron Phosphate Battery AA300MAH, Luminous Mode: Constant Type/Varying Type, Light Source: Super luminosity LED, LED Quality: 6 LED in the middle, 1 LED super bright, Waterproof Grade: IP>67, Visibility: 3 Kilometers.
- 115, 139 mm.
- Constant yellow.

Order No.	Mfg. No. / Description	List Price	
454819	(381521)	\$257.98	E0-9439100

LIMITED QUANTITIES

McDermott L.E.D. Anchor Lights



- All around white lights with 1 mile visibility.
- Meets USCG regulations for anchor lights.
- Battery and solar powered options.

Order No.	Mfg. No. / Description	List Price	
S/O	(ANCHORSP) Straps to 6V Battery		
453201	(ANCHOR-RRDLX) (1) 6V Battery, Magnetic Base	\$117.59	B0-3850100
S/O	(ANCHORDLXBH) (1) 6V Battery, Magnetic Base, Handle		
S/O	(ANCHOR888DLX) (2) 6V Battery, Magnetic Base, Handle		
S/O	(TOPHATMAGRS) Solar, Magnetic Base		
453162	(BGANCLT CLR) Incandescent Bulb	\$45.09	B0-8504000

RED LIGHT

Order No.	Mfg. No. / Description	List Price	
453213	(ANCHOR-RRDLX) (1) 6V Battery, Magnetic Base	\$127.89	B0-0151100
453174	(BGANCLT RED) Incandescent Bulb	\$45.09	B0-8504000



- Electronics
- Trolling Motors
- Instruments
- Electrical
- Lighting
- Anchor & Dock
- Safety
- Steering, Controls
- Pumps
- Fuel System
- Seating & Pedestals
- Trailer
- Tops & Covers
- Perform.
- Propellers
- Engine & Care
- Cleaning & Care
- Paint & Paint Acc.
- Fun & Flotation
- Topside Acc.
- Cockpit & Deck
- Hardware, Fasteners
- Camouflage
- Misc.

McDermott L.E.D. Battery Powered Marker Lights



- Durable, high visibility marker lights.
- 1-3 mile visibility.
- Runs on (1) 6V spring top battery.
- Automatically turns on at night.
- Different mount options and colors available.
- Alternate version available for hazardous locations (Class 1, Div 2).
- Steady or flashing in a wide variety of flash rates/patterns.
- Ideal for marking dredge operations.



Order No.	Mfg. No. / Description	List Price	
453473	(BZLED6V.04) White with Magnetic Base	\$124.79	BO-1321100
453471	(BZLED6L6V04) Red with Magnetic Base	\$124.79	BO-1321100
453504	(BZLED6L6V04) Blue without Magnetic Base	\$160.89	BO-0844100
453516	(BZLED6L6V04) Blue with Magnetic Base	\$184.59	BO-3166100
S/O	(BZDREDGE) Amber Flashing Bolt On Side		
S/O	(BZDREDGEMAG) Amber Flashing with Magnetic Base		
453592	(BZBRACKETBOL) Bolt for Bracket	\$3.09	BO-8720000

CLASS 1, DIV 2 MARKER LIGHTS WITH MAGNETIC BASE

Order No.	Mfg. No. / Description	List Price	
453530	(BZLED6L6V04) White	\$184.59	BO-3166100
453528	(BZLED6L6V04) Red	\$184.59	BO-3166100

McDermott Certified Mast Light



- For use on vessels 20 to 50 meters in length.
- 5 mile visibility.
- 6" x 6" mounting hole base.
- Compatible with all supervised alarm panels.
- Meets requirements of COLREGS 72 and UL1104.
- 2 year warranty.



Order No.	Mfg. No. / Description	List Price	
454699	(TB5MASTGL351) Incandescent Light	\$536.29	BO-6628400

LIMITED QUANTITIES

McDermott L.E.D. Certified All Around Lights



- For use on vessels 20 to 50 meters in length.
- Meets all applicable requirements of COLREGS 72, UL1104 and Subchapter M.
- 2 mile visibility.
- 4" x 4" mounting hole base.
- Compatible with all supervised alarm panels.
- 12, 24, 32 VDC and 120, 200 VAC available.
- 2 year warranty.



Order No.	Mfg. No. / Description	List Price	
454695	(TB278RED) 360° Red Lens	\$380.59	BO-3524300
454697	(TB278WHITE) 360° White Lens	\$380.59	BO-3524300
S/O	(TB278GREEN) 360° Green Lens		
S/O	(TB278AMBER) 360° Amber Lens		

McDermott L.E.D. Drifflights



- All around LED Marker light designed for fishnets and lobster traps.
- High impact polycarbonate.
- 1 mile visibility in multiple colors.
- Each unit has a steady and flashing mode.
- Waterproof up to 80 feet deep.
- In steady mode: 10 nights on (4) AA batteries.
- In flashing mode: 30 nights on (4) AA batteries.



Order No.	Mfg. No. / Description	List Price	
454649	(DRIFTLITEP-W) White Pole Mount	\$109.99	FO-9967000
S/O	(DRIFTLIGHTPA) Amber Pole Mount		
S/O	(DRIFTLIGHTPG) Green Pole Mount		
S/O	(DRIFTLIGHTPR) Red Pole Mount		
S/O	(DRIFTLIGHTPB) Blue Pole Mount		

McDermott L.E.D. Certified Mast Light



- For use on vessels 20 to 50 meters in length.
- 5 mile visibility.
- 4" x 4" mounting hole base.
- Built in screens.
- Compatible with all supervised alarm panels.
- Meets all applicable requirements of COLREGS 72, UL1104 and Subchapter M.
- 2 year warranty.



Order No.	Mfg. No. / Description	List Price	
454700	(TB5820MAST)	\$598.19	BO-7383500

McDermott L.E.D. Certified Navigation Lights



- For use on vessels from 20 to 50 meters in length.
- 2 mile visibility.
- 4" x 4" mounting hole base.
- Built in screens.
- Compatible with all supervised alarm panels.
- Meets all applicable requirements of COLREGS 72, UL1104 and Subchapter M.
- 2 year warranty.



Order No.	Mfg. No. / Description	List Price	
454669	(TB2DSTAR) Starboard Side	\$390.89	BO-0815300
454671	(TB2DPORT) Port Side	\$390.89	BO-0815300
S/O	(TB2DSTERNBLUE) Panama Steering		
454683	(TB2DSTERN) Stern	\$390.89	BO-0815300
454687	(TB2DTOW) Amber Tow	\$390.89	BO-0815300

Electronics
Trolling Motors
Instruments
Electrical
Lighting
Anchor & Dock
Safety
Steering, Controls
Pumps
Fuel System
Seating & Pedestals
Trailing
Tops & Covers
Perform.
Propellers
Engine & Care
Cleaning & Care
Paint & Paint Acc.
Fun & Flotation
Topside Acc.
Cockpit & Deck
Hardware, Fasteners
Camouflage
Misc.
Comm.

McDermott L.E.D. Barge Navigation Lights



- High impact, UV stabilized polycarbonate with built in screens and carrying handle.
- Certified to meet requirements for unmanned barges per UL1104.
- 3 nautical miles.
- Operates up to 40 nights on a full charge.
- Rechargeable 12V battery with an average life of 3-4 years.
- High strength magnets for mounting.
- Dimensions: 11-1/4" H x 14-1/2" L x 13" W.
- Kit includes: (1) Port, (1) Starboard, (1) Amber or Stern with (1) Multi-charger.
- Available with connection for plug-in peep steering light.

Order No.	Mfg. No. / Description	List Price
452487	(BGLEDCASEKIT) Amber Kit	\$1,985.39 A0-9358910
452471	(BGLEDCASEKIT) Stern Kit	\$1,985.39 A0-9358910
452514	(BGLEDCSESPORT) Port Side	\$529.49 A0-9492500
452526	(BGLEDCSESTAR) Starboard Side	\$529.49 A0-9492500
452538	(BGLEDCSESTRN) Stern	\$529.49 A0-9492500
452552	(BGLEDCASEFL) Amber Flashing	\$529.49 A0-9492500
454126	(BGLT-CHG-3) 3 Station Multi-charger	\$396.89 A0-9869300

McDermott L.E.D. Solar Barge Navigation Lights

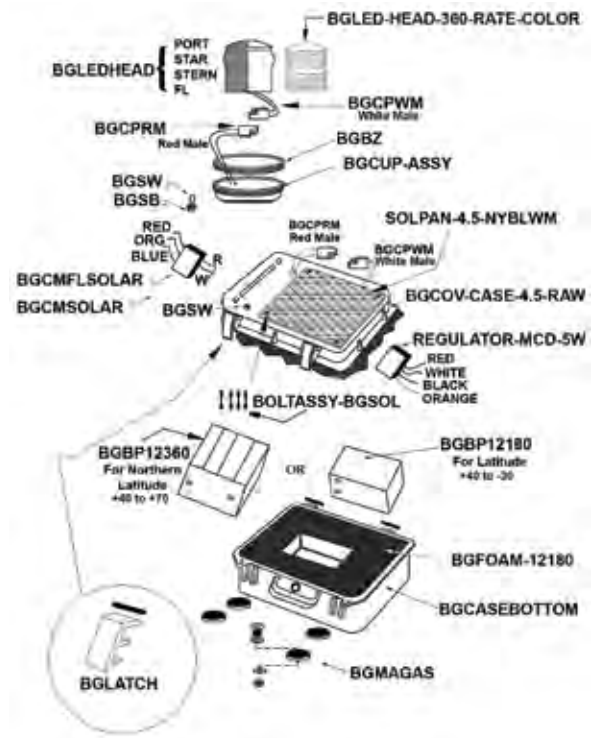


- High impact, UV stabilized polycarbonate with built in screens and carrying handle.
- Self-contained solar powered lights.
- Certified to meet requirements for unmanned barges per UL1104.
- 3 nautical miles.
- Operates up to 40 nights on a full charge.
- Rechargeable 12V battery with an average life of 3-4 years.
- Highly-efficient LED's rated for up to 20,000 hours.
- High strength magnets for mounting.
- Compatible with barge peep light.
- Dimensions: 11-1/4" H x 14-1/2" L x 13" W.
- Kit includes: (1) Port, (1) Starboard, (1) Amber or Stern.
- Available with connection for plug-in peep steering light.

Order No.	Mfg. No. / Description	List Price
452615	(BGLEDCASESOL) Amber Kit	\$1,967.69 A0-9676910
452627	(BGLEDCASESOL) Port Side	\$626.69 A0-9662600
452639	(BGLEDCASESOL) Starboard Side	\$626.69 A0-9662600
452641	(BGLEDCASESOL) Stern	\$626.69 A0-9662600
452665	(BGLEDCASESOL) Amber Flashing	\$626.69 A0-9662600

McDermott Barge Replacement Parts

Order No.	Mfg. No. / Description	List Price
453100	(BGLEDHEAD) LED Port Head	\$211.29 A0-9211200
453112	(BGLEDHEAD) LED Starboard Head	\$211.29 A0-9211200
453136	(BGLEDHEAD) LED Amber Head	\$211.29 A0-9211200
S/O	(BGBZ) Head Locking Bezel	
S/O	(SOLPAN4.5) BGLEDCASE Solar Panel	
454542	(BGSW) Barge Toggle Switch	\$13.39 B0-5021000
S/O	(BGSB) Rubber Boot for Toggle Switch	
453767	(BGBP12180) Solas Barge Battery	\$91.29 B0-6128000
454619	(BGCPRM) Red LED Head Cable	\$9.59 B0-3680000
454631	(BGCPWM) White LED Head Cable	\$9.59 B0-3680000
454530	(BGPE) Metal Cased Photoeye	\$29.69 B0-2762000
453617	(BGCMPPE) Steady Barge Module	\$78.69 A0-9687000
453629	(BGCMLPE) Flash Barge Module	\$78.69 A0-9687000
S/O	(BGCMSOL) Steady Barge Solar Module	
S/O	(BGCMLSOL) Flash Barge Solar Module	
S/O	(REGMCD5W) Solar Barge Regulator	
S/O	(BGFOAM12180) Solar Battery Foam	
454607	(BGMAGAS) Barge Replacement Magnet	\$21.99 B0-9791000
453870	(BGLECONPLATE) Battery Contact Plate	\$28.69 B0-2852000
454314	(BGCH3-5S) Charger Module for Charger Station	\$63.69 A0-9636000
453605	(BGCMPPEPCONT) Control Module for Flashing	\$99.89 A0-9899000
454405	(BGINGREEN) Green Insert Filter for Starboard Lights	\$19.39 B0-5471000
454429	(BGCPCSTAR) Complete Lamp Assy. for Starboard Lights	\$80.49 B0-4427000
454458	(BGLENS) Base for Mounting Lens on Barge Light	\$25.09 B0-8522000
454491	(BGLESTERN) Clear Lens w/Internal Screen for Stern Light	\$69.39 B0-5426000
454152	(BGBP1265) Rechargeable Battery	\$29.69 B0-2762000
454568	(BGCANNON101N) Cannon Plug with 10" Cable	\$23.89 B0-0512000
452499	(BGLEDCASEKIT) FLPEEP Barge Light	\$2,072.89 A0-9827020



McDermott Replacement Parts

Order No.	Mfg. No. / Description	List Price
452791	(BGLEDCASEKIT) Stern Kit with No Batteries	\$978.59 A0-9587900
454455	(BGLENS) Clear Lens	\$45.79 B0-1214000
452650	(BGLEDCASE-ST) Starboard Side Fog Feature	\$573.69 A0-9637500
452655	(BGLEDCASE-PO) Port Side Fog Feature	\$573.69 A0-9637500
452660	(BGLEDCASE-FL) Amber Flashing Fog Feature	\$661.19 A0-9116600



SPECIAL HANDLING MAY APPLY



- Electronics
- Trolling Motors
- Instruments
- Electrical
- Lighting
- Anchor & Dock
- Safety
- Steering, Controls
- Pumps
- Fuel System
- Seating & Pedestals
- Trailering
- Tops & Covers
- Perform.
- Propellers
- Engine & Care
- Cleaning & Care
- Paint & Paint Acc.
- Fun & Flotation
- Topside Acc.
- Cockpit & Deck
- Hardware, Fasteners
- Camouflage
- Misc.
- Comm.

McDermott L.E.D. Barge Navigation Lights



452754



452730



452742



452778

- High impact, UV stabilized polycarbonate with built in screens.
- Certified to meet requirements for unmanned barges per UL1104.
- 3 nautical miles.
- Runs on rechargeable or alkaline 6V battery.
- Built-in photosensor allows these lights to automatically turn themselves on at night and off during the day.
- Runs for up to 40 nights on two 6V alkaline batteries.
- Dimensions: 11-1/2" H x 7" L x 4-1/4" W.
- Kit includes: (1) Port, (1) Starboard, (1) Amber and charger.
- Connection for plug-in peep steering light.

Electronics
Trolling Motors
Instruments
Electrical
Lighting
Anchor & Dock
Safety

Order No.	Mfg. No. / Description	List Price	
452716	(BGLED888KIT) Amber Kit with Peep Ext	\$1,799.29	BO-6391610
452730	(BGLED888PORT) Port Side	\$422.79	BO-1508300
452742	(BGLED888STAR) Starboard Side	\$422.79	BO-1508300
452754	(BGLED888STRN) Stern	\$422.79	BO-1508300
452778	(BGLED888FL) Amber Flashing	\$502.59	BO-3325400
453782	(BP650L) 6-volt Rechargeable Battery	\$28.49	BO-4652000
453845	(BGACHG121888) Automatic 6-volt Battery Charger	\$131.69	AO-9613100

BARGE NAVIGATION LIGHTS WITHOUT BATTERIES

Order No.	Mfg. No. / Description	List Price	
452805	(BGLED888KIT) Amber Kit	\$1,196.89	BO-0277010
452829	(BGLED888PORT) Port Side	\$372.39	BO-5153300
452831	(BGLED888STAR) Starboard Side	\$372.39	BO-5153300
452843	(BGLED888STRN) Stern	\$372.39	BO-5153300
452867	(BGLED888FL) Amber Flashing	\$372.39	BO-5153300

HAZARDOUS LOCATIONS NAVIGATION LIGHTS

- Class 1 Division 2, for use in Hazardous Locations.

Order No.	Mfg. No. / Description	List Price	
452893	(BG888KITFL) Amber Kit - Class 1, Div 2	\$1,298.79	BO-1986110
452906	(BGLED888PORT) Port Side - Class 1, Div 2	\$432.89	BO-0698300
452918	(BGLED888STAR) Starboard Side - Class 1, Div 2	\$432.89	BO-0698300
452956	(BGLED888FL) Amber Flashing - Class 1, Div 2	\$432.89	BO-0698300

McDermott Wired Barge Platform Lights



BGPLATPORT



BGPLATSTERN



BGPLATSTAR



BGPLATFL

- 3 mile visibility.
- High impact polycarbonate.
- Built in screens.
- 12, 24, 32 VDC and 120, 200 VAC available.
- Available with 3', 25' and 50' of cable.
- Optional photoeye and local switch.
- Meets all applicable requirements of UL1104 for unmanned barges.

Order No.	Mfg. No. / Description	
S/O	(BGPLATPORT) Port Side	
S/O	(BGPLATSTAR) Starboard Side	
S/O	(BGPLATSTERN) Stern	
S/O	(BGPLATFL) Amber Flashing	

Propellers
Engine & Care
Cleaning & Care
Paint & Paint Acc.
Fun & Flotation
Topside Acc.
Cockpit & Deck
Hardware, Fasteners
Camouflage
Misc.
Comm.

McDermott Tophat Series Solar Marker Lights



TOPHATMAGCL



TOPHATBUNYL



TOPHATPLATRD



TOPHATFLATGR

- Rugged and waterproof LED solar light for the marine industry.
- High impact polycarbonate.
- 1-3 mile visibility.
- Operates up to 10 nights without sun.
- Available colors: Clear, Red, Green, Amber and Blue.
- Flash rates: Steady, 10, 15, 24, 30, 60 FPM or any IALA Code.
- Dimensions: 5" high, 7" base.
- TOPHATX Model for areas with low daylight hours.

TOPHAT SERIES MOUNTING OPTIONS

Order No.	Mfg. No. / Description	List Price	
453262	(TOPHATMAGRS) Magnetic Mount Clear	\$256.79	BO-1113200

- MAG: 3" dia. 80 lb pull magnet.
- FLATP: 7-3/4" dia. flat plate with 3 mount holes.
- PIPE: 3" dia. flange with 1" NPT hub.
- PLAT: 6" dia. x 6-3/4" H platform with 3 mount holes.
- BUNY:

McDermott Tophat Series L.E.D. Solar Barge Lights



453263



453264

- High impact, UV stabilized polycarbonate.
- Meets UL 1104 applicable sections for a 2NM Barge Light.
- 3 nautical miles.
- Built in screens.
- Rechargeable 12V battery with an average life of 4 years.
- Built-in photosensor allows these lights to automatically turn themselves on at night and off during the day.
- Runs for up to 10 nights on a full charge.
- Solar-powered navigation lights for barges less than 50 meters.
- High strength magnets for mounting.
- Dimensions: 5-1/8" H x 7" W.

Order No.	Mfg. No. / Description	List Price	
453263	(TOPHAT-PORT) Port Side	\$377.29	BO-6593300
453264	(TOPHAT-STAR) Starboard Side	\$377.29	BO-6593300
453265	(TOPHAT-FL) Amber Flashing	\$377.29	BO-6593300
S/O	(TOPHAT-STERN) Stern		

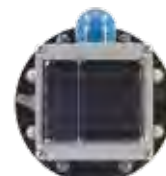


453265

McDermott Barge L.E.D. Peep Steering Lights



453314



453306

454645



Order No.	Mfg. No. / Description	List Price	
453314	(BARGEPEEP) 25' Cable, Cannon Plug	\$132.99	BO-9691100
453306	(PEEPSOLAR) Solar Peep Light	\$310.39	BO-5397200
454645	(DRIFTPEEP) Peep Driflight with Velcro	\$95.89	BO-0368000
453302	(PEEPLIGHT) Incandescent Bulb	\$67.39	AO-9376000

McDermott L.E.D. RIAM/NUC Kit



- Easy assembly and disassembly when needed.
- Waterproof connectors.
- Configures as red, white, red or red over red.
- 12 VDC or 120 VAC.
- Meets USCG requirements.

Order No. Mfg. No. / Description
S/O (NUCKIT2KIT) Red, White, Red 120 VAC

McDermott L.E.D. Marker Lights



PLATEDCL

- Hard wired all around LED lights on raised platform base.
- 12, 24, 32 VDC and 120, 200 VAC available.
- 1-6 mile visibility.
- Wide variety of flash rates including IALA patterns.
- Meets all USCG requirements for aids to navigation.
- Optional photoeye for automatic on and off.

Order No. Mfg. No. / Description
S/O (PLATEDCL) White, Steady All Around

McDermott L.E.D. Certified Dual Head Mast Light



- For use on vessels 20 to 50 meters in length.
- Meets all applicable requirements of COLREGS 72, UL1104 and Subchapter M.
- 5 mile visibility.
- Second LED head for redundancy.
- 4" x 4" mounting hole base.
- Compatible with all supervised alarm panels.
- 12, 24, 32 VDC and 120, 200 VAC available.
- 2 year warranty.

Order No. Mfg. No. / Description
S/O (TBS820MASTDH) LED Dual Head Mast Light

McDermott L.E.D. Certified Dual Head Mast Light



- For use on vessels 20 to 50 meters in length.
- Meets requirements of COLREGS 72 and UL1104.
- 5 mile visibility.
- Second LED head for redundancy.
- 6" x 6" mounting hole base.
- Compatible with all supervised alarm panels.
- 12, 24, 32 VDC and 120, 200 VAC available.
- 2 year warranty.

Order No. Mfg. No. / Description
S/O (TB5LEMASTDH) LED Dual Head Mast Light

McDermott L.E.D. Certified Dual Head All Around Lights



TB278REDDH

TB278WHITEDH

TB278AMBERDH

TB278GREENDH

- For use on vessels 20 to 50 meters in length.
- Meets all applicable requirements of COLREGS 72, UL1104 and Subchapter M.
- 2 mile visibility.
- Second LED head for redundancy and dual role.
- 4" x 4" mounting hole base.
- Compatible with all supervised alarm panels.
- 12, 24, 32 VDC and 120, 200 VAC available.
- 2 year warranty.

Order No. Mfg. No. / Description
S/O (TB278WHITEDH) 360° White Lens
S/O (TB278REDDH) 360° Red Lens
S/O (TB278GREENDH) 360° Green Lens
S/O (TB278AMBERDH) 360° Amber Lens

McDermott L.E.D. Certified Dual Head Navigation Lights



TB2DSTARDH

TB2DSTERNNDH

TB2DTOWDH

TB2DPORTDH

- For use on vessels from 20 to 50 meters in length.
- Meets all applicable requirements of COLREGS 72, UL1104 and Subchapter M.
- 2 mile visibility.
- Second LED head for redundancy.
- 4" x 4" mounting hole base.
- Built in screens.
- Compatible with all supervised alarm panels.
- 12, 24, 32 VDC and 120, 200 VAC available.
- 2 year warranty.

Order No. Mfg. No. / Description
S/O (TB2DSTARDH) Starboard Side Dual Head
S/O (TB2DPORTDH) Port Side Dual Head
S/O (TB2DSTERNBLUEDH) Panama Steering Dual Head
S/O (TB2DSTERNNDH) Stern Dual Head
S/O (TB2DTOWDH) Amber Tow Dual Head

- Electronics
- Trolling Motors
- Instruments
- Electrical
- Lighting
- Anchor & Dock
- Safety
- Steering, Controls
- Pumps
- Fuel System
- Seating & Pedestals
- Trailering
- Tops & Covers
- Perform.
- Propellers
- Engine & Care
- Cleaning & Care
- Paint & Paint Acc.
- Fun & Flotation
- Topside Acc.
- Cockpit & Deck
- Hardware, Fasteners
- Camouflage
- Misc.

- Electronics
- Trolling Motors
- Instruments
- Electrical
- Lighting
- Anchor & Dock
- Safety
- Steering, Controls
- Pumps
- Fuel System
- Seating & Pedestals
- Trailer
- Tops & Covers
- Perform.
- Propellers
- Engine & Care
- Cleaning & Care
- Paint & Paint Acc.
- Fun & Flotation
- Topside Acc.
- Cockpit & Deck
- Hardware, Fasteners
- Camouflage
- Misc.
- Comm.

McDermott L.E.D. Emergency Standby Light



- Battery powered lighting after power loss.
- High impact polycarbonate.
- High efficiency LED with single or double head.
- Batteries recharge when power is restored.
- Quick release stainless steel bracket.
- Available in always on or power loss on modes.
- Always on provides light for 2 hours after power loss.
- Power on provides light up to 30 hours after power loss.

Order No. Mfg. No. / Description

S/O	(SBLT2CS)	Power On 2 Heads Standby Light
S/O	(BGSBL2H)	Always On 2 Heads Standby Light

McDermott L.E.D. Floodlights - 120VAC



- Power efficient LED deck lights for the marine industry.
- Certified as meeting UL 1598A.
- Double power coated diecast aluminum housing rated IP68.
- Stainless steel hardware and mounting bracket.
- LED's rated for 50,000 hours.
- Serviceable in the U.S. with most components easily replaced.
- 120 VAC lights with grounded plug.
- 10, 20, 30, 50, 80, 100W available.

Order No.	Mfg. No. / Description	List Price
S/O	(TBFLD10WLED) 10 watts	
S/O	(TBFLD20WLED) 20 watts	
S/O	(TBFLD30WLED) 30 watts	
454912	(TBFLD50WLED) 50 watts	\$244.39 BO-5991200
454919	(TBFLD80WLED) 80 watts	\$359.89 BO-0932300
454924	(TBFLD100WLED) 100 watts	\$463.09 BO-8761400

McDermott High Power L.E.D. Floodlights



- High powered LED deck lights.
- 120, 140 and 200W.
- LED's rated for 50,000 hours.
- 16,000 - 12,000 lumens.
- Stainless steel mounting bracket.

Order No.	Mfg. No. / Description	List Price
S/O	(TBFLD120WLED) 120W LED Floodlight	
S/O	(TBFLD140WLED) 140W LED Floodlight	
454936	(TBFLD200WLED) 200W LED Floodlight	\$964.29 BO-6876800

McDermott L.E.D. Floodlight - 12VDC



- High powered deck lights for the marine industry.
- Certified as meeting UL 1598A.
- Double power coated diecast aluminum housing rated IP68.
- Stainless steel hardware and mounting bracket.
- LED's rated for 50,000 hours.
- Serviceable in the U.S. with most components easily replaced.
- 12 VDC lights.
- 50 watts.

Order No. Mfg. No. / Description

List Price
\$308.49 BO-4677200

454915	(TBFLD50W12LDC)
--------	-----------------

McDermott L.E.D. Flank Light



- High powered LED spotlight.
- High impact UV stabilized polycarbonate.
- 300,000 candlepower.
- Projects a 10' circle 200' away.
- 12VDC or 120VAC.
- Magnetic base or clevis mount.

Order No. Mfg. No. / Description

S/O	(FLANKMAG)	Flank Light Magnetic Base
S/O	(FLANKCLEV)	Flank Light Clevis Mount

McDermott Super L.E.D. Spotlight / Flank Light



- High powered LED spot lights.
- 65W and 240W.
- 1,000,000 - 3,000,000 candle power.
- Excellent for flank light and search light.

Order No. Mfg. No. / Description

S/O	(FL-65W)	65W Super LED Spotlight / Flank Light
S/O	(FL-240-STUD-BRKT)	240W Flank Light

Phoenix Vaporproof Incandescent Fixture



- Non-metallic, thermoplastic construction.
- Silicone gaskets provide vaportight seal.
- External screws and inserts made out of corrosion resistant brass.
- Clear glass globe.
- Housing and guard standard gray finish.
- Wall mount.
- UL 1598, 1598A, 844 Listed.
- USCG Accepted.
- Accepts incandescent lamps up to 150 watts.
- Note: Bulb not included.
- 120 volt.

Order No.	Mfg. No. / Description	List Price	
603808	(VPWINC120GHC)	\$259.29	HO-7555100

Hubbell Wall Mounting Bracket



- Gray non-metallic.
- Vapor tight.
- For use with NVX15GHGA incandescent fixture.
- Dimensions: 6.7" L x 5.3" W x 4.8" H.

Order No.	Mfg. No. / Description	List Price	
398203	(NVBA)	\$75.59	GO-5605000

LIMITED QUANTITIES

Pauluhn ProGuard Lighting Incandescent Fixture



- Cast copper free aluminum housing and guard.
- Lamp holder: Medium base, high temperature PBT.
- Nickel plated copper screw shell.
- Compact fluorescent polycarbonate.
- Clear glass 6" globe.
- Stainless steel hardware.
- Length 11".
- A-19, 100 watt lamp.
- UL Marine and USCG Approved.
- Note: Bulb not included.

Order No.	Mfg. No. / Description	List Price	
686381	(707A)	\$261.09	CO-3912200

Replacement 6" Guards



- Diameter 6".

Order No.	Mfg. No. / Description	List Price	
686230	(INX1036A) Aluminum	\$114.79	CO-7579000
686242	(INX1036B) Brass	Special Order	

Medium Screw Replacement Bakelite Socket



- Includes (4) fastener holes.
- Fits current Pauluhn lights.

Order No.	Mfg. No. / Description	List Price	
686367	(INX4000)	\$63.69	CO-4145000

6" Plastic Globes for Deck Light



- Smooth, round top cylinder.
- Diameter 5.1".

Order No.	Mfg. No. / Description	List Price	
686277	(CP60) Clear	\$35.99	CO-9503000
686281	(CP65) Amber	\$35.99	CO-9503000

6" Glass Globe



- Glass globe.
- Diameter 6".

Order No.	Mfg. No. / Description	List Price	
686266	(COAC60) Clear	\$21.79	CO-2581000

Modern Lighting Series VT Fluorescent Fixtures - Vaportite



- Dust and moisture resistant.
- Virtually unbreakable fiberglass housing provides superior corrosion resistance.
- No drilling necessary with external brass studs.
- White molded end plugs snap and lock to maintain tight seal of unused end holes.
- High impact acrylic diffuser held with positive cam latches.
- Continuous poured in place gasket.
- 120 volt. 2 lamp. Note: Lamps not included.
- No joints to open.
- UL listed for damp location.

Order No.	Mfg. No. / Description	List Price	
603743	(VT-217MV) Length 2'	\$162.98	FO-9041100
603755	(VT-232MV) Length 4'	\$166.98	FO-9861100
603767	(H92) Stainless Steel Clips	\$5.98	EO-9440000
603779	(L293) Replacement Lens for 2' Fixture	\$45.98	EO-9443000
603785	(L196) Replacement Lens for 4' Fixture	\$57.98	EO-9434000

LIMITED QUANTITIES

Britmar Fluorescent Fixtures



- Dustproof light fixture with resistant against water jets.
- Grey polycarbonate housing, with transparent polycarbonate cover, chemical resistant.
- IP66.
- Direct fastening on ceiling mounted brackets or suspension with self-locking suspenders or steel wire.
- M20 cable gland for 6-13 mm cables.
- 120 - 277V AC.

Order No.	Mfg. No. / Description	List Price	
603805	(BEXTRALED2) Length 2'	\$187.99	DO-9305100
603820	(BEXTRALED4) Length 4'	\$241.99	DO-9539100

NEW PRODUCT

Modern Lighting Replacement Lens for Series VW Fluorescent Fixture



Order No.	Mfg. No. / Description	List Price	
603844	(L622) Replacement Lens for 2' Fixture	\$25.09	HO-5051000
603859	(L623) Replacement Lens for 4' Fixture	\$38.89	HO-3332000

LIMITED QUANTITIES



SPECIAL HANDLING MAY APPLY



- Electronics
- Trolling Motors
- Instruments
- Electrical
- Lighting
- Anchor & Dock
- Safety
- Steering, Controls
- Pumps
- Fuel System
- Seating & Pedestals
- Trailer
- Tops & Covers
- Perform.
- Propellers
- Engine & Care
- Cleaning & Care
- Paint & Paint Acc.
- Fun & Flotation
- Topside Acc.
- Cockpit & Deck
- Hardware, Fasteners
- Camouflage
- Misc.
- Comm.

Perko 800 Series Solar-Ray® Searchlights

- Heavy gauge brass and cast bronze.
- White Perko • Kote finish.
- 12, 24, 32 or 120 volts.
- All models feature: Halo deflectors, parabolic glass mirror reflectors for maximum light output and ventilation covers for quick dissipation of heat to help prolong bulb life.
- Hinged front doors have quick release stainless steel latches.
- Weatherproof construction. Interior finished in flat black.

- Lower vent cover on 12" and 14" sizes.
- Slide-lock focusing device behind lower vent.
- Heavy duty yoke mounting.
- Standard pedestal base diameter: 7".
- 10" lights are standard with 2-pin prefocus socket.
- 12" and 14" lights are standard with medium prefocus socket.
- Bulbs are not included and must be ordered separately.

Perko Fig. 885 Wheel or Lever/Gear Control Solar-Ray® Searchlights



- Wheel Control Assemblies.
 - Turn upper wheel for horizontal position.
 - Distance between wheels: 2".
 - Turn lower wheel for vertical position.
 - Maximum ceiling thickness: 3".
- Lever/Gear Control Assemblies.
 - Aim handle for horizontal position.
 - Twist handle for vertical position.
 - Maximum ceiling thickness: 3-1/2".
- Order head and wheel or lever/gear control assemblies separately.

STANDARD PEDESTAL HEAD ASSEMBLIES

Order No.	Mfg. No.	Nominal Reflector	Height	List Price	
526876	(0885 OP1 WHT)	10"	20-1/8"	\$1,415.09	BO-8537210
526888	(0885 OP2 WHT)	12"	22-1/8"	\$1,866.19	BO-7597610
526890	(0885 OP3 WHT)	14"	25-1/8"	\$2,559.89	BO-0930320

WHEEL CONTROL ASSEMBLIES

Order No.	Mfg. No. / Description	List Price	
527208	(0852 000) Control Length 7-1/2"	\$434.29	BO-6809300
527211	(0852 0A0) Control Length 14-1/2"	\$500.39	BO-5305400
527223	(0852 0B0) Control Length 21-1/2"	\$561.09	BO-8940500
527234	(0852 0C0) Control Length 28-1/2"	\$635.39	BO-5817500

LEVER/GEAR CONTROL ASSEMBLY

Order No.	Mfg. No. / Description	List Price	
527247	(0969 0C0) Control Length 29-1/2"	\$1,391.49	BO-4325210

Perko Spare Reflector for 800 Series Solar-Ray® Searchlights



- Replacement Retaining Clips (530178 - 0910) for the reflector should also be ordered when ordering a replacement reflector to assure a proper fit.

Order No.	Mfg. No. / Description	List Price	
543202	(0890001) Spare Reflector for 10" Searchlights	\$522.49	BO-4207400
543214	(0890002) Spare Reflector for 12" Searchlights	\$556.19	BO-7500500
543226	(0890003) Spare Reflector for 14" Searchlights	\$1,220.59	BO-3589010
530178	(0910) Spare Retaining Clips	\$47.59	BO-3824000

See next page for spare sockets and bulbs for Perko 800 Series Solar-Ray® Searchlights

Perko Fig. 884 Lever Control Solar-Ray® Searchlights



- Aim handle for horizontal position.
- Move handle up and down for vertical position.
- Maximum ceiling thickness: 4-1/2".
- Order head and lever control assemblies separately.

STANDARD PEDESTAL HEAD ASSEMBLIES

Order No.	Mfg. No.	Nominal Reflector	Height	List Price	
526838	(0884 OP1 WHT)	10"	20-1/8"	\$1,483.89	BO-0553310
526840	(0884 OP2 WHT)	12"	22-1/8"	\$1,935.09	BO-8514710
526852	(0884 OP3 WHT)	14"	25-1/8"	\$2,565.39	BO-5880320

LEVER CONTROL ASSEMBLIES

Order No.	Mfg. No. / Description	List Price	
527108	(0851 000) Control Length 8-1/2"	\$365.59	BO-3092300
527119	(0851 0A0) Control Length 15-1/2"	\$434.29	BO-6809300
527121	(0851 0B0) Control Length 22-1/2"	\$500.39	BO-5305400
527132	(0851 0C0) Control Length 29-1/2"	\$561.09	BO-8940500

SPARE PARTS FOR FIG. 851 LEVER CONTROL ASSEMBLY

Order No.	Mfg. No. / Description	List Price	
530015	(0851SPRO21) Horizontal Lock/Ceiling Plate	\$117.69	DO-5149000
530027	(0851SPRO22) Lock Knob with Spacer	\$28.39	DO-1722000
530053	(0851SPRO25) Upper Control Tube Bushing	\$24.89	DO-1991000
530077	(0851SPRO27) O-Ring Seal	\$17.19	DO-5731000
530089	(0851SPRO28) Lower Control Tube Bushing	\$24.89	DO-1991000
530091	(0851SPRO29) Control Handle Shaft	\$33.99	DO-9172000
530104	(0314SPRO40) Control Handle	\$34.79	DO-3872000
530116	(0851SPRO31) Fulcrum Collar	\$33.99	DO-9172000
530128	(0851SPRO32) Fulcrum Bar	\$29.79	DO-3832000
530142	(0884SPRO55) Fork Seal Bushing	\$25.99	DO-9702000
530154	(0884SPRO56) Base Seal	\$31.59	DO-7252000

Perko Fig. 887 Distant Electric Control Solar-Ray® Searchlights



- All aluminum with White Perko • Kote finish.
- For 12, 24 and 120 volt.
- Searchlight head assembly comes with Distant Electric Control Base.
- Remote electric.
- Joystick type controller with variable speed control for both horizontal and vertical positioning.
- Nominal drum diameter: 14". Length drum: 17".

CALL FOR PRICES AND AVAILABILITY

SPECIAL HANDLING MAY APPLY

- Electronics
- Trolling Motors
- Instruments
- Electrical
- Lighting
- Anchor & Dock
- Safety
- Steering, Controls
- Pumps
- Fuel System
- Seating & Pedestals
- Trailing
- Tops & Covers
- Perform.
- Propellers
- Engine & Care
- Cleaning & Care
- Paint & Paint Acc.
- Fun & Flotation
- Topside Acc.
- Cockpit & Deck
- Hardware, Fasteners
- Camouflage
- Misc.
- Comm.



Bulb and Socket Ordering Information for Perko 800 Series Solar-Ray® Searchlights

- Bulbs are not included in lights and must be ordered separately.
- For best results, the bulb and reflector must be perfectly compatible; therefore be sure to specify the stock number of the bulb desired.
- Peak candlepower is exceedingly sensitive to many factors, (i.e. a light source out of focus by 1/32 inch, under-voltage of only 4% or differences between bulb manufactures) which can cause reduction of range of up to 20%.

Incandescent Bulb Recommendations

MFG #	Voltage	Wattage	Socket Type	Socket Code Letter	For Searchlight Size	Rated* Life Hours	Mfg. Bulb Code
806	32	500	Medium Screw	B	10", 12", 14"	50	DLT
807	120	500	Medium Prefocus	E	10", 12", 14"	25	CZX/DAB
809	120	750	Medium Prefocus	E	12", 14"	25	DDB
837	120	750	Medium Prefocus	E	12", 14"	200	DGH
810	120	1,000	Medium Prefocus	E	12", 14"	25	DRS
811	120	1,000	Mogul Screw	D	12", 14"	50	DPT

"Quartz" Tungsten Halogen Bulb Recommendations

DMI #	MFG #	Voltage	Wattage	Socket Type	Socket Code Letter	For Searchlight Size	Rated* Life Hours	Mfg. Bulb Code
220070	816	12	100	2-Pin Prefocus	F	10", 12", 14"	50	FDT
	836	24	150	2-Pin Prefocus	G	10", 12", 14"	50	DZE/FDS
219825	844	120	500	Medium Prefocus	E	10", 12", 14"	500	BTM
220020	820	120	600	2-Pin Prefocus	I	10", 12", 14"	75	DYS
219837	845	120	750	Medium Prefocus	E	12", 14", 19"	200	BTP
219851	839	120	900	2-Pin Prefocus	K	12", 14", 19"	75	BVA
219849	846	120	1,000	Medium Prefocus	E	12", 14", 19"	200	BTR
	860	230	1,000	Medium Prefocus	E	12", 14", 19"	950	FKD

• Electric bulbs are not returnable unless the fault is ours.

*Note: These are the "Rated Average Laboratory Life in Hours" of the Bulb Manufacturer. No guarantee to the time indicated.

High Pressure Xenon Short Arc Lamp

Order No. 696316	Mfg. No. / Description (XW1000/M)	List Price \$598.98	E0-4294400	<ul style="list-style-type: none"> • Power input: Rated 1,000W. • Supply voltage: 65 volts. • Operating current: 50 amp. 	<ul style="list-style-type: none"> • Rated voltage: 20 volts. • Luminous flux: 32,000 lm.
-------------------------	-----------------------------------	----------------------------	------------	---	---

Electric Socket and Support Stand Assemblies

- Perko Solar-Ray Searchlights include a socket and support stand based on the bulb or socket information given when ordering.
- The following chart makes it possible for distributors or dealers to order and stock different styles of these assemblies separately for field conversion, thereby covering a large variety of voltage and candlepower requirements with a minimum of inventory. (Donovan numbers are bold).



Medium Screw Code B



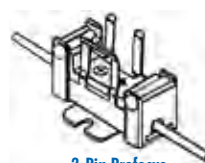
Medium Prefocus Code E



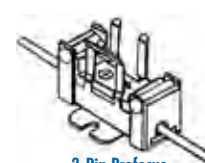
Mogul Screw Code D



Mogul Prefocus Code L and M



2-Pin Prefocus Code K



2-Pin Prefocus Code F, G, H and I

Socket Type	Socket Code	For 10" Searchlights	Height Stand	For 12" Searchlights	Height Stand	For 14" Searchlights	Height Stand
Medium Screw	B	872 001	1-1/4"	872 002	2-1/4"	872 003	3-1/4"
Medium Prefocus	E	530332 (873 001)	1-5/16"	530344 (873 002)	1-15/16"	530356 (873 003)	2-15/16"
Mogul Screw	D	-	-	874 002	7/16"	874 003	1-1/4"
2-Pin Prefocus (12 volt)	F	875 001	3-1/2"	875 002	4-1/2"	875 003	5-1/2"
2-Pin Prefocus (24 volt)	G	876 001	3-1/4"	876 002	4-1/4"	876 003	5-1/4"
2-Pin Prefocus (32 volt)	H	878 001	3-1/4"	878 002	4-1/4"	878 003	5-1/4"
2-Pin Prefocus (600 watt)	I	530421 (879 001)	3-1/8"	879 002	4-1/8"	879 003	5-1/8"
2-Pin Prefocus (900 watt)	K	-	-	880 002	3-13/16"	880 003	4-13/16"

Order No. 530469	Mfg. No. / Description (0895) Medium Prefocus Socket	Code E	List Price \$145.09	B0-8503100
530483	(0899) 2-Pin Prefocus Socket	Codes F, G, H & I	\$124.89	B0-0421100

Order No. 530332	Mfg. No. / Description (0873 001) For 10" Searchlights	List Price \$228.99	B0-9060200
530344	(0873 002) For 12" Searchlights	\$228.99	B0-9060200
530356	(0873 003) For 14" Searchlights	\$228.99	B0-9060200
530421	(0879 001) 2-Pin Prefocus for 10" Searchlights	\$268.89	B0-0024200

- Electronics
- Trolling Motors
- Instruments
- Electrical
- Lighting
- Anchor & Dock
- Safety
- Steering, Controls
- Pumps
- Fuel System
- Seating & Pedestals
- Trailering
- Tops & Covers
- Perform.
- Propellers
- Engine & Care
- Cleaning & Care
- Paint & Paint Acc.
- Fun & Flotation
- Topside Acc.
- Cockpit & Deck
- Hardware, Fasteners
- Camouflage
- Misc.
- Comm.

Perko XR Series 15" Xenon Searchlights

- Designed and manufactured to meet the demanding needs of commercial marine applications.
- The short arc Xenon filled lamps produce an extremely bright and very white light which can be focused in the pilothouse into a narrow long range beam.
- High quality Timkin bearings provide for smooth 380° rotation.
- The XR Series model 9304 searchlight can be operated continuously at 500 watts for a maximum brightness of 35,000,000 candlepower and over 3 mile (IES Handbook) range.
- An iridium coated precision reflector provides for maximum light output and sharp focus.
- The remote control panel controls lamp ignition (start-up) and focus from the pilot house.
- Superior cooling is provided by a heavy duty cooling fan which blows air across the lamp inside the sealed housing.
- Heavy duty marine latches.
- Sealed waterproof construction.
- Heavy rolled marine aluminum housing.
- Safety interlock switch.
- Heavy duty rack and pinion assembly.
- Cast marine aluminum yoke and base.
- Quality ball bearings.
- Nominal drum diameter: 13-3/4".
- 120 VAC.
- NOTE: Lamps are included with complete Searchlights.



Electronics

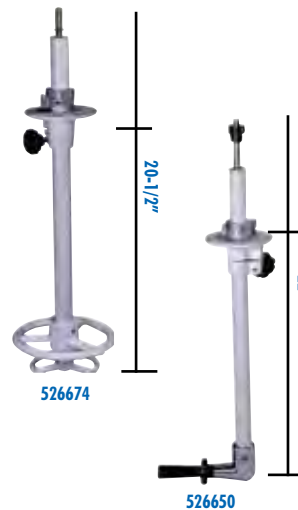
Trolling Motors

Instruments

Order No. **544050** Mfg. No. / Description (9304E01WH5) Distant Electric Control Base List Price **\$20,304.39** AO-9340302

Perko 19" Solar-Ray® Searchlight and Control Assemblies

- Halo deflector.
- Heavy gauge reinforced aluminum body.
- White Perko - Kote finish.
- 19" parabolic glass reflector with shock resistant mounting.
- Weatherproof construction.
- Flat black interior finish.
- Stainless steel latches.
- Lower vent cover.
- Slide-lock focusing device behind lower vent.
- Heavy duty cast rack and pinion assembly.
- Extra heavy duty yoke mounting ribbed for extra strength.
- Floating stops in base to allow 400° rotation.
- Bushing and rubber gasket for isolated mounting.
- Extra large cast aluminum base drilled for (4) 1/2" fasteners.



Electrical

Lighting

Anchor & Dock

Safety

Steering, Controls

Pumps

Fuel System

Seating & Pedestals

Trailering

Tops & Covers

Perform.

ELECTRIC SOCKET AND SUPPORT STAND ASSEMBLIES FOR 19" SEARCHLIGHTS

Solar-Ray Searchlights include a socket and support stand based on the bulb or socket information given when ordering. The following chart makes it possible to order and stock different assemblies for field conversion, to meet a large variety of voltage and candlepower requirements with a minimum of inventory.

Socket Type	Socket Code	Socket & Stand Catalog Number	Height Stand
Medium Screw	B	0872 004	5-3/4"
Medium Prefocus	E	0873 004	5-7/16"
Mogul Prefocus (1,500 watt)	L	1930 004	3-5/8"
Mogul Prefocus (1,000 & 2,000 watt)	M	1931 004	3-1/8"
2-Pin Prefocus (900 watt)	K	0880 004	7-5/16"

Order No.	Mfg. No. / Description	Searchlight Head Assembly	List Price	AO
526600	(1902 004 WHT)	Searchlight Head Assembly	\$2,541.69	A0-9614520
526650	(1921 000 WHT)	Lever/Gear Control Assembly	\$1,561.69	A0-9616510
526674	(1922 000 WHT)	Wheel Control Assembly	\$1,595.69	A0-9659510
543238	(0890004)	Spare Reflector	\$1,804.79	B0-1342610
530229	(0905)	Spare Pinion Gear	\$139.69	D0-5711100

How to Order Searchlights

- Specify size searchlight, type control, type base, type drum, type finish, type lampholder, and give code word or catalog number.
- Give ordering code and volts of lamp.
- Specify length of control (measured from bottom of base to centerline of lever or upper wheel) if other than the standard dimensions shown on the dimension drawings.
- Specify pedestal height (measured from bottom of base to centerline of drum) if different from the standard 48 inches.
- Example: 12" searchlights, lever control, standard base, vented drum, enamel finish, medium prefocus lampholder, code RECITE-E2. Special length control 22" base to centerline lever.
- To designate the specific lampholder desired add one of the following suffixes to the code word or catalog number:
 Medium Screw Lampholder -1 Medium Prefocus Lampholder -2 Mogul Screw Lampholder -3 Mogul Bipost Lampholder -4 2-Pin Prefocus Lampholder -5

Comm.



SPECIAL HANDLING MAY APPLY



The Carlisle & Finch Co. 500 Watt Xenon Arc Searchlights



Distant Electrical Control



Lever Gear Control



275441

LEVER GEAR CONTROL - DRUM-SIZE NOMINAL 15"

- This powerful, rugged design, composed of marine grade aluminum and stainless steel, with high quality salt and scratch resistant powder coat finish.
- The indestructible, nickel reflector produces a precision 1-Degree beam at a powerful 45 million beam candlepower.
- The searchlight focus has safety back-up, with no tools required (if the Focus Motor fails, the beam-size can be adjusted quickly and easily, with an external focus knob).
- The searchlight is mounted on a rugged base producing greater than 385 degrees of horizontal rotation with unique sliding stop.
- Remote electric beam-size focus (1 to 15 degrees).
- Voltages: 12VDC, 24VDC, 115VAC, 230VAC.
- Long-life warranted xenon lamp.

Order No.	Mfg. No. / Description	List Price	
275304	(X9398-RF) Head with 70" Lever Gear Control	\$11,862.00	A0-0026811
274302	(C2-4) Control Station	\$545.00	A0-0054500

DISTANT ELECTRIC CONTROL

- These units have all the features listed above and also the following.
- "Proportional-Speed" joystick provides aiming and speed control with single-hand.
- Motorized rugged cast base with horizontal and vertical clutch assemblies and ball bearings contained in stainless steel races.
- Fast speed searches at 25 degrees per second.
- Single station or multiple stations.
- Indoor and outdoor weatherproof control stations.
- Optional anti-icing heater circuitry in base, rack and trunnions, digital azimuth indicator, manual back-up (in case of motor failure).

Order No.	Mfg. No. / Description	List Price	
275435	(X9398-RF) Joystick Electric Controller	\$14,720.00	A0-0002741
275441	(C4-1M-1) Joystick Controller - 4-Way Switch	\$1,150.00	A0-0005110
274934	(6PSN115) Power Supply - Manual Control - 115V AC	\$4,505.00	A0-0050540
275439	(6PSN115DE) Power Supply - Remote Control - 115V AC	\$5,585.00	A0-0058550

The Carlisle & Finch Co. 1,000 Watt and 2,500 Watt Xenon Arc Searchlights



"Wall of Light" LEDs



LEVER GEAR CONTROL - DRUM-SIZE NOMINAL 19"

- This powerful, rugged design, composed of marine grade aluminum and stainless steel, with high quality salt and scratch resistant powder coat finish.
- The indestructible, nickel reflector produces a precision 1-Degree beam at a powerful 80 million (1.0kw) and 177 million (2.5kw) beam candlepower.
- The searchlight focus has safety back-up, with no tools required (if the Focus Motor fails, the beam-size can be adjusted quickly and easily, with an external focus knob).
- The searchlight is mounted on a rugged base, which includes ball bearings held captive within stainless steel races, producing greater than 385 degrees of horizontal rotation with unique sliding stop.
- Remote electric beam-size focus (approx. 1 to 15 degrees).
- Voltages: Single phase 115VAC, 230VAC and 3-phase 208/240 VAC, 380 VAC, 480 VAC or 575 VAC.
- Long-life warranted xenon lamp.

Order No.	Mfg. No. / Description	List Price	
275417	(XE9664LG-RF) Head w/46" Lever Gear Control	\$15,584.00	A0-0048551
275431	(9754X-RF) Control Station	\$625.00	A0-0052600

DISTANT ELECTRIC CONTROL

- Motorized rugged cast base with horizontal and vertical clutch.
- Assemblies and ball bearings contained in stainless steel races.
- Exceeds 380 degrees horizontal rotation.
- 8-position joystick provides vertical and horizontal movement.
- Speed control dial changes beam speed from 0 to 25 degrees per second.
- Single station or multiple stations.
- Indoor and outdoor weatherproof control stations.
- Optional anti-icing heater circuitry in base, rack and trunnions.
- Optional digital azimuth indicator.
- Optional manual back-up (in case of motor failure).

Order No.	Mfg. No. / Description	List Price	
275445	(XE9666-RF) Joystick Electric Controller	\$17,240.00	A0-0004271
275455	(C4-1M-2) Joystick Controller - 4-Way Switch	\$1,175.00	A0-0057110
275430	(1PSN115) Power Supply - Manual Control - 115V AC	\$6,675.00	A0-0057660
275450	(1PSN115DE) Power Supply - Remote Control - 115V AC	\$7,860.00	A0-0006870



SPECIAL HANDLING MAY APPLY



- Electronics
- Trolling Motors
- Instruments
- Electrical
- Lighting
- Anchor & Dock
- Safety
- Steering, Controls
- Pumps
- Fuel System
- Seating & Pedestals
- Trailer
- Tops & Covers
- Perform.
- Propellers
- Engine & Care
- Cleaning & Care
- Paint & Paint Acc.
- Fun & Flotation
- Topside Acc.
- Cockpit & Deck
- Hardware, Fasteners
- Camouflage
- Misc.

Carlisle & Finch Co. Halogen Searchlights Beam Candlepowers

Code	Watts	Volts	Base	Average Hrs.	10-Inch	12-Inch	15-Inch	19-Inch
CPG	108	6	Medium Screw	50	350,000	563,000	Not Used	Not Used
FDT	100	12	2-Pin Pre-focus	50	765,000	1,170,000	1,750,000	Not Used
FDS	150	24	2-Pin Pre-focus	100	935,000	1,380,000	2,030,000	Not Used
BTM	500	120	Medium Pre-focus	100	950,000	1,160,000	2,080,000	2,970,000
FKF	500	230	Medium Pre-focus	750	CONSULT FACTORY			
DYS	600	120	2-Pin Pre-focus	75	781,000	1,130,000	1,840,000	2,700,000
BTP	750	120	Medium Pre-focus	200	Not Used	1,520,000	2,820,000	3,980,000
BVA	900	120	2-Pin Pre-focus	75	CONSULT FACTORY			
BTR	1000	120	Medium Pre-focus	200	Not Used	1,520,000	2,820,000	4,300,000
TM/T20	1000	120	Mogul Bi-Post	500	Not Used	Not Used	940,000	2,380,000
DPT	1000	120	Mogul Screw	50	Not Used	Not Used	Not Used	2,700,000
FKD	1000	230	Medium Pre-focus	750	Not Used	Not Used	Not Used	1,800,000
CXZ	1500	120	Mogul Bi-Post	325	Not Used	Not Used	Not Used	
CWZ	1500	120	Mogul Pre-focus	325	Not Used	Not Used	Not Used	3,610,000
BVW	2000	120	Mogul Pre-focus	300	Not Used	Not Used	Not Used	3,000,000
FKK	2000	230	Mogul Bi-Post	400	Not Used	Not Used	Not Used	



The Carlisle & Finch Co. Halogen Searchlight Selection Table

10" HALOGEN SEARCHLIGHT

Type Control	Type Base	Type Drum	Powder Coat Finish	Net Wt.	Shipping Wt.	Type Control	Type Base	Type Drum	Powder Coat Finish	Net Wt.	Shipping Wt.
Local	Standard	Non Vented	RAIN-E	15 lbs.	21 lbs.	Lever-Gear	Standard	Non Vented	10SL8425E	22 lbs.	28 lbs.
	High	Non Vented	ROSE-E	22 lbs.	28 lbs.		High	Non Vented	10SL8426E	30 lbs.	36 lbs.
	Pedestal	Non Vented	RAJAH-E	29 lbs.	59 lbs.		Pedestal	Non Vented	10SL8427E	37 lbs.	58 lbs.
Lever	Standard	Non Vented	REDAN-E	19 lbs.	25 lbs.	Wheel	Standard	Non Vented	RANK-E	19 lbs.	25 lbs.
	High	Non Vented	REFORM-E	27 lbs.	33 lbs.		High	Non Vented	ROPE-E	27 lbs.	33 lbs.
	Pedestal	Non Vented	10SL1624XE	34 lbs.	55 lbs.		Pedestal	Non Vented	10SL1620XE	37 lbs.	55 lbs.

12" HALOGEN SEARCHLIGHT

Type Control	Type Base	Type Drum	Powder Coat Finish	Net Wt.	Shipping Wt.
Local	Standard	Non Vented	RAKE-E	22 lbs.	31 lbs.
		Vented	RATE-E	22 lbs.	31 lbs.
	High	Non Vented	ROME-E	27 lbs.	36 lbs.
		Vented	RUN-E	27 lbs.	36 lbs.
Pedestal	Non Vented	RETARD-E	34 lbs.	64 lbs.	
	Vented	12SL1648XE	34 lbs.	64 lbs.	
Lever	Standard	Non Vented	REDEEM-E	26 lbs.	35 lbs.
		Vented	RECITE-E	26 lbs.	35 lbs.
	High	Non Vented	REFUGEE-E	32 lbs.	41 lbs.
		Vented	RESIN-E	32 lbs.	41 lbs.
Pedestal	Non Vented	12SL1625XE	39 lbs.	60 lbs.	
	Vented	12SL1650XE	39 lbs.	60 lbs.	
Lever-Gear	Standard	Non Vented	12SL8186E	29 lbs.	38 lbs.
		Vented	12SL8186VE	29 lbs.	38 lbs.
High	Non Vented	12SL8410E	35 lbs.	44 lbs.	
		Vented	12SL8410VE	35 lbs.	44 lbs.
Pedestal	Non Vented	12SL8428E	42 lbs.	63 lbs.	
		Vented	12SL8428VE	42 lbs.	63 lbs.
Wheel	Standard	Non Vented	RASPE-E	26 lbs.	35 lbs.
		Vented	REARE-E	26 lbs.	35 lbs.
	High	Non Vented	RUSEE-E	32 lbs.	41 lbs.
		Vented	RIPE-E	32 lbs.	41 lbs.
Pedestal	Non Vented	12SL1621XE	39 lbs.	60 lbs.	
	Vented	12SL1649XE	39 lbs.	60 lbs.	

15" HALOGEN SEARCHLIGHT

Type Control	Type Base	Type Drum	Powder Coat Finish	Net Wt.	Shipping Wt.
Local	Standard	Non Vented	REDGUM-E	39 lbs.	51 lbs.
		Vented	REDGUM-VE	39 lbs.	51 lbs.
	High	Non Vented	REEL-E	44 lbs.	56 lbs.
		Vented	REEL-VE	44 lbs.	56 lbs.
Pedestal	Non Vented	RONTY-E	50 lbs.	80 lbs.	
	Vented	RONTY-VE	50 lbs.	80 lbs.	
Lever	Standard	Non Vented	RADIAL-E	43 lbs.	55 lbs.
		Vented	RADIAL-VE	43 lbs.	55 lbs.
	High	Non Vented	RAINBOW-E	49 lbs.	61 lbs.
		Vented	RAINBOW-VE	49 lbs.	61 lbs.
Pedestal	Non Vented	15SL1626XE	56 lbs.	77 lbs.	
	Vented	15SL1626XVE	56 lbs.	77 lbs.	
Lever-Gear	Standard	Non Vented	15SL8184E	46 lbs.	58 lbs.
		Vented	15SL8184VE	46 lbs.	58 lbs.
	High	Non Vented	15SL8408E	52 lbs.	64 lbs.
		Vented	15SL8408VE	52 lbs.	64 lbs.
Pedestal	Non Vented	15SL8429E	59 lbs.	80 lbs.	
	Vented	15SL8429VE	59 lbs.	80 lbs.	
Wheel	Standard	Non Vented	RACKET-E	43 lbs.	55 lbs.
		Vented	RACKET-VE	43 lbs.	55 lbs.
	High	Non Vented	RABBIT-E	49 lbs.	61 lbs.
		Vented	RABBIT-VE	49 lbs.	61 lbs.
Pedestal	Non Vented	15SL1622XE	56 lbs.	77 lbs.	
	Vented	15SL1622XVE	56 lbs.	77 lbs.	

Note: Consult Factory for Polished Brass & Stainless Steel or Sparking Chrome and Stainless Steel Finish.

SPECIAL HANDLING MAY APPLY



- Electronics
- Trolling Motors
- Instruments
- Electrical
- Lighting
- Anchor & Dock
- Safety
- Steering, Controls
- Pumps
- Fuel System
- Seating & Pedestals
- Trailering
- Tops & Covers
- Perform.
- Propellers
- Engine & Care
- Cleaning & Care
- Paint & Paint Acc.
- Fun & Flotation
- Topside Acc.
- Cockpit & Deck
- Hardware, Fasteners
- Camouflage
- Misc.

The Carlisle & Finch Co. Halogen Searchlights



LEVER CONTROL

Size	Control Length
10"	11-3/8"
12"	10-7/8"
15"	10-7/8"

LEVER-GEAR CONTROL

Size	Control Length
10"	11-3/8"
12"	10-7/8"
15"	10-7/8"

WHEEL CONTROL

Size	Control Length
10"	9-1/2"
12"	9"
15"	9"

The Carlisle & Finch Co. 10" Searchlight with 2-Pin Prefocus Socket

- Lever control.
- 18" longer than standard.
- Powder coat, brass and stainless steel finishes available.

Order No.	Mfg. No. / Description	List Price	
274489	(REDAN-E5)	\$2,887.00	D0-0690320

SPARE REFLECTOR FOR 10" SEARCHLIGHT

Order No.	Mfg. No. / Description	List Price	
273831	(SL1083A) Diameter 9"	\$565.00	B0-0580500

The Carlisle & Finch Co. 19" Searchlight with Medium Prefocus Socket

- Powder coat marine grade aluminum drum finish available.

LEVER GEAR CONTROL

Order No.	Mfg. No. / Description	List Price	
274782	(19SL3794DX) 48" Longer than Standard	\$5,697.00	B0-0372150

SPARE PARTS FOR 19" SEARCHLIGHT

Order No.	Mfg. No. / Description	List Price	
273754	(KEF217) Pinion Gear, Wheel/Lever Gear Control	\$70.00	A0-0007000
273766	(EF240) Reflector, Diameter 18-1/8"	\$1,320.00	B0-0088110
273970	(SL1461/SL1455) Reflector Clamp Assembly 19"	\$31.39	A0-9313000

Spare Parts for 10", 12" and 15" Searchlights

Order No.	Mfg. No. / Description	List Price	
274047	(K5482) Pinion Gear for Wheel Control	\$70.00	A0-0007000
273969	(SL1937) Reflector Mounting Clips - 4 Per Light	\$10.00	A0-0001000
273526	(8704) 2-Pin Prefocus Socket Only	\$45.00	A0-0054000
273918	(SL1250C) Medium Prefocus Socket Only	\$95.00	A0-0059000
273843	(SL1084) 15" Searchlight Reflector - Dia. 14-3/16"	\$1,145.00	B0-0503010

The Carlisle & Finch Co. 12" Searchlight with Medium Prefocus Socket

- Powder coat, brass and stainless steel finishes available - vented drum.

WHEEL CONTROL

Order No.	Mfg. No. / Description	List Price	
274605	(REAR-E2.) 24" Longer than Standard	\$3,896.00	D0-0861130

SPARE PARTS FOR 12" SEARCHLIGHT

Order No.	Mfg. No. / Description	List Price	
273690	(9865XV) Medium Prefocus Focus Assembly	\$300.00	A0-0000300
273829	(SL107) Reflector, Diameter 10-15/16"	\$625.00	B0-0526500

Accessories and Parts

Description	10" Sckt. Part #	12" Sckt. Part #	15" Sckt. Part #
Cover, Protective	SL3322A	SL3322A	SL3322B
Cover Glass	SL62	SL102	SL1085
Gasket, Base, High	SL3318B	SL3318B	SL3318B
Gasket, Base, Pedestal	SL3318C	SL3318C	SL3318C
Gasket, Base, Standard	SL3318A	SL3318B	SL3318B
Lampholder, Med. Pref. (273918)	SL1250C	SL1250C	SL1250C
Lampholder, Med. Screw	SL1087-1	SL1087-1	SL1087-1
Lampholder, Mogul Bipost	-	-	FE132X
Lampholder, Mogul Screw (274302)	-	SL96	SL96
Lampholder, 2-Pin Pref. (273526)	8704	8704	8704
Reflector	SL1083A (273831)	SL107 (273829)	SL1084 (273843)

The Carlisle & Finch Co. Accessories and Parts

Order No.	Mfg. No. / Description
273971	(SL1461) Fixed Spring
273972	(SL1455) Clamp Spring
274958	(8672XS) Control Assembly
274959	(4799X-RFS) Control Station



SPECIAL HANDLING MAY APPLY



- Electronics
- Trolling Motors
- Instruments
- Electrical
- Lighting
- Anchor & Dock
- Safety
- Steering, Controls
- Pumps
- Fuel System
- Seating & Pedestals
- Trailer
- Tops & Covers
- Perform.
- Propellers
- Engine & Care
- Cleaning & Care
- Paint & Paint Acc.
- Fun & Flotation
- Topside Acc.
- Cockpit & Deck
- Hardware, Fasteners
- Camouflage
- Misc.
- Comm.

The Carlisle & Finch Co. Halogen Searchlights - Searchlight Lamp Data

SEARCHLIGHT LAMP DATA

DMI #	Code	Watts	Volts	Bulb Size	Base	Description	Filament	Average Hrs. Life	10" Scht.	12" Scht.	15" Scht.
220070	FDT	100	12	T4	2-Pin Prefocus	Tungsten Halogen	C6	50	765,000	1,170,000	1,750,000
	FDS	150	24	T4	2-Pin Prefocus Medium Screw	Tungsten Halogen	C6	100	935,000	1,380,000	2,030,000
219825	BTM	500	120	T6	Medium Prefocus	Tungsten Halogen	C13D	100	950,000	1,160,000	2,080,000
220020	DYS	600	120	G7	2-Pin Prefocus	Tungsten Halogen	CC6	75	**781,000	1,130,000	1,840,000
					Medium Screw						

LAMP BELOW TO BE USED IN VENTED DRUMS ONLY

DMI #	Code	Watts	Volts	Bulb Size	Base	Description	Filament	Average Hrs. Life	10" Scht.	12" Scht.	15" Scht.
219849	BTR	1,000	120	T7	Medium Prefocus	Tungsten Halogen	C13D	200	Not Used	1,520,000	2,820,000

* These lamp manufacturer's figures are relative only. Individual lamps may vary considerably. ** Intermittent duty only (one hour or less).

The Carlisle & Finch Co. L.E.D. and WindFarm Searchlights



12L-LC-ANC
12"



12LHW-DE-ANC
12"



274785
19LN-LG-ANC
19"



19L-LC-ANC

10" L.E.D. SEARCHLIGHT

Type Control	Type Base	Powder Coat Finish	Voltage	Remarks
Local	Standard	10L-LC-DNC	12-24 VDC	Specify Joystick C8160 (115VAC) or C8160-230 (230VAC)
	Standard	10L-LC-ANC	115-230 VAC	
Lever Gear	Standard	10L-LG-DNC	12-24 VDC	
	Standard	10L-LG-ANC	115-230 VAC	
Joystick Electric	Standard	10L-DE-ANC	115-230 VAC	

12" L.E.D. SEARCHLIGHT

Type Control	Type Base	Powder Coat Finish	Voltage	Remarks
Local	Standard	12L-LC-DNC	12-24 VDC	Specify Joystick C8160 (115VAC) or C8160-230 (230VAC)
	Standard	12L-LC-ANC	115-230 VAC	
Lever Gear	Standard	12L-LG-DNC	12-24 VDC	
	Standard	12L-LG-ANC	115-230 VAC	
Joystick Electric	Standard	12L-DE-ANC	115-230 VAC	

12" L.E.D. WINDFARM SEARCHLIGHT

Type Control	Type Base	Powder Coat Finish	Voltage	Remarks
Joystick Electric	N/A	12LHW-DE-ANC	115-230 VAC	Specify Joystick C8160 (115VAC) or C8160-230 (230VAC); must also include Controller C2-13 for both voltages

19" L.E.D. SEARCHLIGHT

Type Control	Type Base	Powder Coat Finish	Voltage	Remarks
Local	Standard	19L-LC-ANC	115-230 VAC	Specify Joystick C5777-S-2 (115VAC) or C5777-S-230 (230VAC)
Lever Gear	Standard	274785 (19L-LG-ANC)	115-230 VAC	
Joystick Electric	Standard	19L-DE-ANC	115-230 VAC	
Head Only	Standard	19L-DD-ANC	115-230 VAC	Includes Trunnion Hardware & Cable, Electric Control
	Standard	19L-MD-ANC	115-230 VAC	Includes Trunnion Hardware & Cable, Manual Control
		274783 (19L-UD-ANC)		

- Electronics
- Trolling Motors
- Instruments
- Electrical
- Lighting
- Anchor & Dock
- Safety
- Steering, Controls
- Pumps
- Fuel System
- Seating & Pedestals
- Trailering
- Tops & Covers
- Perform.
- Propellers
- Engine & Care
- Cleaning & Care
- Paint & Paint Acc.
- Fun & Flotation
- Topside Acc.
- Cockpit & Deck
- Hardware, Fasteners
- Camouflage
- Misc.

SPECIAL HANDLING MAY APPLY



The Carlisle & Finch Co. 12" Searchlights - Distant Electric Control (DEC)

C8160
Controller

Order No. Mfg. No. / Description
274908 (125BEV-2)

List Price
\$6,325.00 BO-0529650

AVAILABLE IN 10", 12" AND 15"

PRICE ON REQUEST

- Rugged drive unit is housed in watertight corrosion resistant marine aluminum or brass base as specified.
- Base is brass.
- Drum/door and yoke is white enamel.
- Drum, door and yoke, etc., constructed of solid brass.
- Powerful motors in weatherproof base direct the penetrating beam with finger-tip ease from any distance.
- Automatic brakes provide instant start and instant stop with no overtravel.
- Searchlight can be controlled from many separate locations.
- Vented drum (non-vented also available).
- Motors operate on 110-125 volts, 50-60 hz (cycles).
- Rugged joystick switch controls both motions.
- No limit to distance between searchlight and joystick.
- Second, third, fourth, or more joysticks can be added at any time.
- Just five control conductors and a ground conductor required between searchlight and joystick.
- Slip clutches allow manual override at all times, a convenience when relamping.
- Corrosion resistant and oiltight, the joystick can be mounted almost anywhere.
- A small heater on drive unit keeps temperature in base housing above ambient to minimize condensation on and in motors.
- Includes medium prefocus lampholder.
- Bullet lamp not included.
- Includes: 12" electric control.

Electronics

Trolling
Motors

Instruments

Electrical

Lighting

Anchor
& Dock

Safety

Steering,
Controls

Pumps

Fuel
SystemSeating &
Pedestals

Trailering

Tops &
Covers

Perform.

Propellers

Engine
& CareCleaning
& CarePaint &
Paint Acc.Fun &
FlotationTopside
Acc.Cockpit
& DeckHardware,
Fasteners

Camouflage

Misc.

Comm.



SPECIAL HANDLING MAY APPLY



Baldwin Filters High Efficiency Fuel Spin-On Filter



- Contains: Integral Post Seal.
- Fits: Caterpillar Engines, Equipment.
- Replaces: Caterpillar 1R0751.
- Thread: 7/8-14. OD: 3-11/16". Length: 7-1/8".
- I. Gasket: G381-A.

Order No.	Mfg. No. / Description	List Price	
319048	(BF7632)	\$15.94	C0-5531000

Baldwin Filters High Efficiency Fuel Spin-On Filter



- Fits: Caterpillar Equipment.
- Replaces: Caterpillar 1R0750.
- Thread: 1-14. OD: 3-11/16". Length: 7-1/8".
- I. Gasket: G381-A.

Order No.	Mfg. No. / Description	List Price	
319052	(BF7633)	\$15.07	C0-1821000

Baldwin Filters High Efficiency Fuel Spin-On Filter



- Fits: Caterpillar Engines.
- Replaces: Caterpillar 1R0759.
- Thread: 7/8-14. OD: 3". Length: 7-1/8".
- I. Gasket: (1) Included.

Order No.	Mfg. No. / Description	List Price	
319056	(BF7634)	\$15.98	C0-8531000

Baldwin Filters High Efficiency Lube Spin-On Filter



- Fits: Caterpillar Engines.
- Replaces: Caterpillar 1R1808.
- Thread: 1-1/2-16. OD: 5-6/8. Length: 12-3/32".
- I. Gasket: (1) Included.
- Related to: B99 Series (Std. Versions) B7507 (w/3 O-rings).

Order No.	Mfg. No. / Description	List Price	
319024	(B7299)	\$31.25	C0-6562000

Baldwin Filters Primary Fuel Spin-On Filter



- Can be used with FB1301 base.
- Fits: Detroit Diesel Engines.
- Replaces: Detroit Diesel 6438839; GMC 25010793.
- Thread: 1-12. OD: 3-11/16. Length: 8".
- I. Gasket: (1) Included.
- Related to: BF592 (Short Version) BF25813 (Fuel/Water Separator Version).

Order No.	Mfg. No. / Description	List Price	
319040	(BF5800)	\$10.50	C0-3980000

Baldwin Filters Fuel Storage Tank Spin-On Filter



- Can be used with FB1307 base.
- Fits: EMD Locomotive; Fuel Storage Tanks.
- Replaces: Cim-Tek 700-03.
- Thread: 1-12. OD: 3-11/16. Length: 7-1/8".
- I. Gasket: G381-A.
- Related to: MF955 (Short Version).

Order No.	Mfg. No. / Description	List Price	
319060	(BF971)	\$11.62	C0-8890000

Baldwin Filters Full-Flow Lube Spin-On Filter



- Contains: 8 PSID By-Pass Valve.
- Replaces: Quincy 110814.
- Thread: M16 x 1.5. OD: 3. Length: 3-17/32".
- I. Gasket: G449-B.

Order No.	Mfg. No. / Description	List Price	
319020	(B474)	\$10.91	C0-7290000

Baldwin Filters Secondary Fuel Spin-On Filter



- Can be used with FB1302 base.
- Fits: Detroit Diesel Engines.
- Replaces: Detroit Diesel 23518482.
- Thread: 13/16-12. OD: 3-11/16. Length: 7-3/32".
- I. Gasket: (1) Included.

Order No.	Mfg. No. / Description	List Price	
319044	(BF5810)	\$10.29	C0-5780000

- Electronics
- Trolling Motors
- Instruments
- Electrical
- Lighting
- Anchor & Dock
- Safety
- Steering, Controls
- Pumps
- Fuel System
- Seating & Pedestals
- Trailering
- Tops & Covers
- Perform.
- Propellers
- Engine & Care
- Cleaning & Care
- Paint & Paint Acc.
- Fun & Flotation
- Topside Acc.
- Cockpit & Deck
- Hardware, Fasteners
- Camouflage
- Misc.
- Comm.

Baldwin Filters Full-Flow Lube Spin-On Filter



- Can be used with OB1368, OB1369 bases.
- Fits: Cummins Engines.
- Replaces: Cummins 3313287.
- Thread: 1-1/2-12. OD: 4-11/16. Length: 11-9/32".
- I. Gasket: (1) Included.

Order No.	Mfg. No. / Description	List Price	
319017	(B96)	\$25.25	CO-6412000

Baldwin Filters Fuel-Flow Lube Spin-On Filter



- Fits: Caterpillar Engines, Equipment.
- Replaces: Caterpillar 1R0739.
- Thread: 1-1/8-16.
- OD: 4-1/4".
- Length: 10-1/16".
- I. Gasket: (1) Included.
- Related to: B76 Series (Long Versions) B7700 (High Efficiency Version).

Order No.	Mfg. No. / Description	List Price	
319028	(B7600)	\$14.05	CO-4911000

Baldwin Filters Fuel-Flow Lube Spin-On Filter



- Fits: Atlas Copco, Demag, Caterpillar Equipment.
- Replaces: Caterpillar 1R0716.
- Thread: 1-1/2-16.
- OD: 5-3/8".
- Length: 12-3/32".
- I. Gasket: (1) Includes.
- Related to: B49 (Short Version) B7249-MPG (High Efficiency Version).

Order No.	Mfg. No. / Description	List Price	
319032	(B99)	\$21.96	CO-7681000

Baldwin Filters Fuel/Water Separator Element with Ball Handle



- Contains: Emergency By-Pass Tab.
- Fits: Racor 100FH Series Housings.
- Replaces: Racor 2020 Series.
- OD: 4-5/16". ID: 5/8" and 13/16".
- Length: 8-29/32".
- F. Gasket: G240.
- Includes: (1) End seal and (2) O-rings.

Order No.	Mfg. No. / Description	List Price	
319104	(PF7890-10)	\$18.11	CO-9351000

Baldwin Filters Fuel Element with Bail Handle



- Contains: Emergency By-Pass Tab.
- Fits: Racor 900 Series Housings.
- Replaces: Racor 2040 Series.
- OD: 4-5/16".
- ID: 5/8" and 13/16".
- Length: 3-29/32".
- F. Gasket: G240.
- Includes: (1) End seal and (1) O-ring.

Order No.	Mfg. No. / Description	List Price	
319100	(PF7889)	\$15.28	CO-9921000

Baldwin Filters Fuel-Flow Lube Element



- Fits: E.M.D. Locomotives.
- Replaces: E.M.D. 8340000.
- OD: 2-29/32".
- ID: 1" One End.
- Length: 7-7/16".
- A. Gasket: (1) Attached.

Order No.	Mfg. No. / Description	List Price	
319112	(PT513)	\$12.20	CO-7301000

Baldwin Filters Lube or Fuel Element



- Fits: E.M.D. Cageless Series.
- Replaces: E.M.D. 8345482.
- OD: 6-1/2".
- ID: 1-15/32" One End.
- Length: 29-3/8".
- End Seals: (1) Included.

Order No.	Mfg. No. / Description	List Price	
319068	(P1510)	\$36.93	CO-9313000

- Electronics
- Trolling Motors
- Instruments
- Electrical
- Lighting
- Anchor & Dock
- Safety
- Steering, Controls
- Pumps
- Fuel System
- Seating & Pedestals
- Trailering
- Tops & Covers
- Perform.
- Propellers
- Engine & Care
- Cleaning & Care
- Paint & Paint Acc.
- Fun & Flotation
- Topside Acc.
- Cockpit & Deck
- Hardware, Fasteners
- Camouflage
- Misc.

Baldwin Filters Screen Supported Bag Air Element



- Oil Wetted Media.
- Fits: Railroad applications.
- Replaces: Clark EG1; EMD 8470903; GE 41A218313P1.
- Size: 29-3/8" x 27-3/8" x 6-3/8".

Order No.	Mfg. No. / Description	List Price	
319036	(BA3965(4))	\$402.03	CO-3714300

Baldwin Filters Coolant Spin-On with BTA PLUS Formula Filter



- Maintenance filter for systems with 22-32 gallons capacity. Can be used with CFB5000 base or CFB8784 dual base.
- Contains: 8 units BTA Plus.
- Fits: Cummins Engines.
- Replaces: Agco 1076751M1; Case 690139C1; Caterpillar 226-6567; Daewoo 9912-15115; Demag 692336; Hitachi 19305494; Versatile 104040; Volvo M12968028; Fleetguard WF2073.
- Thread: 11/16-16. OD: 3-11/16". Length: 5-3/8".
- I. Gasket: G381-A.

Order No.	Mfg. No. / Description	List Price	
319064	(BW5073)	\$25.55	CO-2712000

Snee Chemical Olefin Mats



- Olefin pile surface, black vinyl backing.
- Blue.

Order No.	Mfg. No. / Description	List Price	
438035	(MAT 023B) 2' x 3'	\$40.09	BO-8063000
438045	(MAT 035B) 3' x 5'	\$81.99	BO-9737000

Baldwin Filters Air Element



- Fits: Caterpillar, CMI, Grove Equipment.
- Replaces: Caterpillar 4L9852.
- OD: 10-7/32".
- ID: 6-1/16" One End.
- Length: 12".
- A. Gasket: (1) Attached.

Order No.	Mfg. No. / Description	List Price	
319084	(PA618-S)	\$49.61	CO-7124000

Henek Liquid Coalescers



- Henek's HC Series is constructed of high grade aluminum and includes a corrosion resistant aluminum epoxy screen.
- Inner and outer layers are made of rayon fibers impregnated with phenolic resin.
- Set between these layers is the coalescing layer (borosilicate microglass).
- Efficiencies range from 93% to 99.9999% at the 0.3 micron range.
- The pre-filter can be constructed with microns from 1 to 75.

Order No.	Mfg. No. / Description	List Price	
341590	(HC-3520-D)	\$107.79	DO-3268000

Snee Chemical Environmental Bags



- Yellow oil disposal.
- 36.5 x 48.5.
- 5.5 mil.

Order No.	Description	List Price	
551315	Chemical Environmental Bags	\$141.59	BO-3472100

- Electronics
- Trolling Motors
- Instruments
- Electrical
- Lighting
- Anchor & Dock
- Safety
- Steering, Controls
- Pumps
- Fuel System
- Seating & Pedestals
- Trailering
- Tops & Covers
- Perform.
- Propellers
- Engine & Care
- Cleaning & Care
- Paint & Paint Acc.
- Fun & Flotation
- Topside Acc.
- Cockpit & Deck
- Hardware, Fasteners
- Camouflage
- Misc.

Zinc anodes should be use for saltwater applications.
 Aluminum anodes should be used for saltwater or brackish water applications.
 Magnesium anodes should be used for freshwater applications.

Zinc Tear Drop Anode



- Zinc Tear Drop.
- (1) Cast-in Galvanized Steel Strap, Weld on.
- 5 lbs.
- Dimensions: 3" W x 9" L x 1-1/4" T.

Order No.	Mfg. No. / Description	List Price	
323600	(GATD6/ZTS6)	\$15.18	CO-0921000

Zinc Plate Hull Anode



- Zinc Plate.
- (2) Cast-in Cored Holes on 6" centers.
- 22 lbs.
- Dimensions: 6" W x 12" L x 1-1/4" T.

Order No.	Mfg. No. / Description	List Price	
323843	(GA23C)	\$61.08	CO-2915000

Aluminum Plate Hull Anode



- Aluminum plate.
- (2) Cast-in cored holes on 6" centers.
- Dimensions: 6" W x 12" L x 1-1/4" T.

Order No.	Mfg. No. / Description	List Price	
323915	(GA-A10C)	\$35.76	CO-0403000

Magnesium Launch Anode with Plasticol Coating



- 1 Cast-in Galvanized Steel Strap, Weld on with 5/8" holes for mounting.
- 5 lbs.
- Dimensions: 5" W x 10" L x 2-1/2" T.

Order No.	Mfg. No. / Description	List Price	
323864	(GAMG5LAUNCH)	\$92.48	CO-1687000

R.E. Thomas Anodes

Order No.	Mfg. No. / Description	List Price	
040129	(8X-SL) Anode 1-3/4"	\$21.98	B0-8791000
040131	(9X-SL) Anode 2"	\$19.98	B0-8971000
040143	(11X-SL) Anode 2-1/2"	\$37.98	B0-8143000
040167	(5HC) Anode 5"	\$35.98	B0-8323000
040155	(2R) Bi-Direct Anode 2"	\$8.98	B0-8080000

LIMITED QUANTITIES

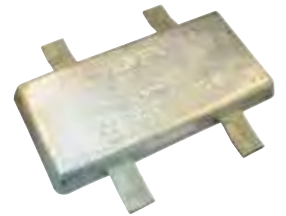
Zinc Plate Hull Anodes



- Zinc Plate.
- (1) Cast-in Galvanized Steel Strap, Weld on.
- 11-1/2 lbs.
- Dimensions: 3" W x 12" L x 1-1/4" T.

Order No.	Mfg. No. / Description	List Price	
323834	(ZSS-12)	\$64.79	CO-7055000
323838	(GA12/ZSS12)	\$32.18	CO-5372000

Zinc Plate Hull Anodes



- Zinc Plate.
- (2) Cast-in Galvanized Steel Straps, Weld on.
- 22 lbs.
- Dimensions: 6" W x 12" L x 1-1/4" T.

Order No.	Mfg. No. / Description	List Price	
323840	(GA-23/ZHS-23)	\$60.08	CO-7015000
323841	(ZHS-23)	\$58.29	CO-5594000

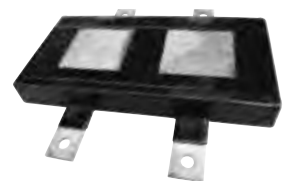
Aluminum Plate Hull Anode



- Aluminum plate.
- (2) Cast-in straps, weld on.
- Dimensions: 6" W x 12" L x 1-1/4" T.

Order No.	Mfg. No. / Description	List Price	
323910	(GA-A10H)	\$34.79	CO-7592000

Magnesium Hull Anode with Plasticol Coating



- (2) Cast-in 1/4" x 2" Galvanized Steel Straps, Weld on.
- 24 lbs.
- Dimensions: 9" W x 18" L x 2" T.

Order No.	Mfg. No. / Description	List Price	
323903	(GAMGH24W)	\$251.68	CO-3931200

Magnesium Tear Drop Anode with Plasticol Coating



- (1) Cast-in Galvanized Steel Strap, Weld on.
- 2.5 lbs.
- Dimensions: 3" W x 9" L x 1-3/8" T.

Order No.	Mfg. No. / Description	List Price	
323852	(GAMGJR)	\$49.89	CO-1424000

- Electronics
- Trolling Motors
- Instruments
- Electrical
- Lighting
- Anchor & Dock
- Safety
- Steering, Controls
- Pumps
- Fuel System
- Seating & Pedestals
- Trailer
- Tops & Covers
- Perform.
- Propellers
- Engine & Care
- Cleaning & Care
- Paint & Paint Acc.
- Fun & Flotation
- Topside Acc.
- Cockpit & Deck
- Hardware, Fasteners
- Camouflage
- Misc.
- Comm.

Johnson Heavy Duty Stuffing Boxes



Model 1791
Grease Service Only



Model 1790M
Grease Service Only



Fig. 1788 I.R.
Water Service with Air Seal



Fig. 1787 I.R.
Grease Service with Air Seal



Model 1786 I.R.
Water and Grease Service
with Air Seal



Model 1789
Water Service Only

ALUMINUM BOX

BRONZE BOX

Fig. 1789	Fig. 1790	Fig. 1790	Fig. 1790M	Fig. 1791
Price Each	Price Each	Price Each	Price Each	Price Each

- These stuffing box systems are engineered and built to seal out seawater and give unmatched protection for your propulsion system.
- Air Valve Extension - Used to inflate and deflate Air Seal ring. Inflate to 15 psi to engage seal. Maximum 40 psi.
- Water-Lubrication Service Inlet - Inlet is aft of packing and connects to ship's piping. It delivers water-lubrication to shaft bearing.
- Pre-drilled Flanges - Housing flanges are precision-drilled for easy, accurate mounting, unless otherwise specified.
- "Zerk" Grease Service Fitting - Channels grease to packing.
- Packing Retaining Gland.
- Additional Water-Lubrication Service Inlet.
- Ribbed and Perforated Lantern Ring.
- All sizes supplied with grease lantern ring.
- Packing is not included as standard equipment.
- An additional charge will be made when packing is specified.
- Mounting flange holes are drilled standard unless otherwise specified.
- Bronze stuffing boxes sizes 2" through 6-1/4" can be supplied with integral steel mounting flange for bulkhead welding at 20% additional charge.
- When ordering specify steel flange.

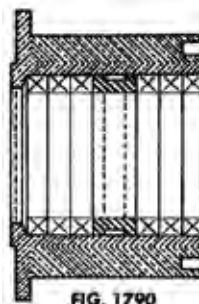


FIG. 1790

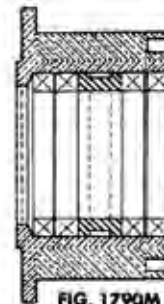


FIG. 1790M



GLAND

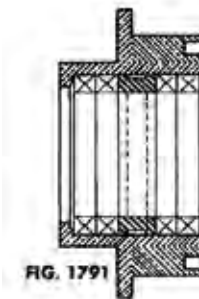
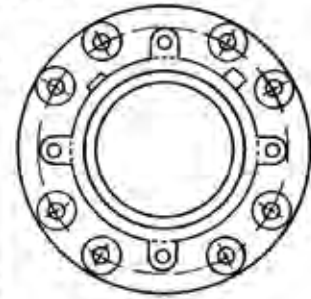


FIG. 1791



GLAND



MOUNTING
FLANGE

LIMITED
QUANTITIES

Order No.	Mfg. No. / Description	List Price	
427840	(1790M-0278) Bronze, 2-7/8"	\$909.19	HO-1554500

Globe Drivesaver® Vibration-Reducing Couplings



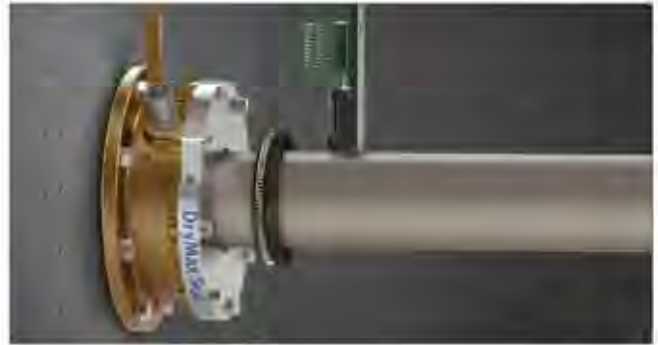
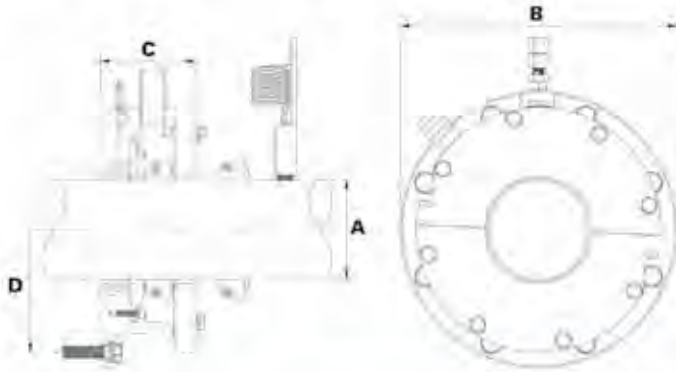
- The Drivesaver provides a flexible, nonmetallic barrier between your transmission and propeller shaft.
- This barrier reduces drivetrain vibration which reduces noise to you, your crew and the water.
- Absorbs thrust and torque from the propeller shaft, as well as excessive shock from changing gears and high speed planing.
- Provides an impervious barrier that blocks electrical currents from the water so your engine and transmission are protected from damaging corrosion.
- Includes: Bushing kits where necessary.

Order No.	Mfg. No.	Flange Dia.	Bolt Circle	Pilot Dia.	Coupling Dia.	List Price	
369040	(01-12-0130)	5"	4-1/4"	2-1/2"	6"	\$651.99	HO-9119300
369036	(01-12-0420)	4-3/4"	3-7/8"	2-1/2"	5-3/8"	\$835.99	HO-9510500
369042	(01-12-0470)	5-3/4"	4-3/4"	3"	6-13/16"	\$891.99	HO-9153500
369030	(01-12-0550)	7-1/4"	6"	3-3/4"	8-3/8"	\$927.99	HO-9765500

- Electronics
- Trolling Motors
- Instruments
- Electrical
- Lighting
- Anchor & Dock
- Safety
- Steering, Controls
- Pumps
- Fuel System
- Seating & Pedestals
- Trailing
- Tops & Covers
- Perform.
- Propellers
- Engine & Care
- Cleaning & Care
- Paint & Paint Acc.
- Fun & Flotation
- Topside Acc.
- Cockpit & Deck
- Hardware, Fasteners
- Camouflage
- Misc.
- Comm.

DURAMAX

DryMax™ Stern Tube Seal System



SEAL SPACE REQUIREMENTS

Model	A Shaft Size (in)	A Shaft Size (mm)	B Flange OD (in)	B Flange OD (mm)	C Length (in)	C Length (mm)	D BCD (in)	D BCD (mm)	Bolt (in)
300	2.5 - 3.49	64 - 88	10 1/8	258	4 1/2	115	8 7/8	225.4	1/2
400	3.5 - 4.49	89 - 114	11 1/8	283	4 1/2	115	9 7/8	250.8	1/2
500	4.5 - 5.49	115 - 139	12 1/8	308	4 1/2	115	10 7/8	276.2	1/2
600	5.5 - 6.49	140 - 165	13 1/8	334	4 1/2	115	11 7/8	301.6	1/2
700	6.5 - 7.49	166 - 190	14 1/8	359	4 1/2	115	12 7/8	327.0	1/2
800	7.5 - 8.49	191 - 215	15 1/8	385	4 1/2	115	13 7/8	352.4	1/2
900	8.5 - 9.49	216 - 241	16 3/8	416	5	127	15	381.0	5/8
1000	9.5 - 10.49	242 - 266	17 3/8	442	5	127	16	406.4	5/8
1100	10.5 - 11.49	267 - 292	18 3/8	467	5	127	17	431.8	5/8
1200	11.5 - 12.49	293 - 317	19 3/8	493	5	127	18	457.2	5/8
1300	12.5 - 13.49	318 - 342	20 3/8	518	5	127	19	482.6	5/8
1400	13.5 - 14.49	343 - 368	21 3/8	543	5	127	20	508.0	5/8
1500	14.5 - 15.49	369 - 393	22 5/8	575	5 1/8	131	21 1/8	536.6	3/4
1600	15.5 - 16.49	394 - 419	23 5/8	601	5 1/8	131	22 1/8	562.0	3/4
1700	16.5 - 17.49	420 - 444	24 5/8	626	5 1/8	131	23 1/8	587.4	3/4
1800	17.5 - 18.49	445 - 469	25 5/8	651	5 1/8	131	24 1/8	612.8	3/4
1900	18.5 - 19.49	470 - 495	26 5/8	677	5 1/8	131	25 1/8	638.2	3/4
2000	19.5 - 20.49	496 - 520	27 5/8	702	5 1/8	131	26 1/8	663.6	3/4
2100	20.5 - 21.49	521 - 546	28 7/8	734	5 1/8	131	27 1/4	692.2	7/8
2200	21.5 - 22.49	547 - 571	29 7/8	759	5 1/8	131	28 1/4	717.6	7/8
2300	22.5 - 23.49	572 - 596	30 7/8	785	5 1/8	131	29 1/4	743.0	7/8
2400	23.5 - 24.49	597 - 622	31 7/8	810	5 1/8	131	30 1/4	768.4	7/8
2500	24.5 - 25.49	623 - 647	32 7/8	836	5 1/8	131	31 1/4	793.8	7/8
2600	25.5 - 26.49	648 - 673	33 7/8	861	5 1/8	131	32 1/4	819.2	7/8
2700	26.5 - 27.49	674 - 698	35 1/8	893	5 1/8	131	33 3/8	847.7	1
2800	27.5 - 28.49	699 - 723	36 1/8	918	5 1/8	131	34 3/8	873.1	1
2900	28.5 - 29.49	724 - 749	37 1/8	943	5 1/8	131	35 3/8	898.5	1
3000	29.5 - 30.49	750 - 774	38 1/8	969	5 1/8	131	36 3/8	923.9	1
3100	30.5 - 31.49	775 - 800	39 1/8	994	5 1/8	131	37 3/8	949.3	1
3200	31.5 - 32.49	801 - 825	40 1/8	1020	5 1/8	131	38 3/8	974.7	1
3300	32.5 - 33.49	826 - 850	41 5/8	1058	5 1/8	131	39 5/8	1008.5	1 1/4
3400	33.5 - 34.49	851 - 876	42 5/8	1083	5 1/8	131	40 5/8	1031.9	1 1/4
3500	34.5 - 35.49	877 - 901	43 5/8	1109	5 1/8	131	41 5/8	1057.3	1 1/4
3600	35.5 - 36.49	902 - 927	44 5/8	1134	5 1/8	131	42 5/8	1082.7	1 1/4

- Electronics
- Trolling Motors
- Instruments
- Electrical
- Lighting
- Anchor & Dock
- Safety
- Steering, Controls
- Pumps
- Fuel System
- Seating & Pedestals
- Trailering
- Tops & Covers
- Perform.
- Propellers
- Engine & Care
- Cleaning & Care
- Paint & Paint Acc.
- Fun & Flotation
- Toppers Acc.
- Cockpit & Deck
- Hardware, Fasteners
- Camouflage
- Misc.

DuraBlue® Self-Lubricating Rudder Bushings and Sheet Stock

DURABLE BEARINGS AND SHEETS ARE:

- Greaseless, self-lubricating and pollution free.
- Dimensionally stable with extremely long life.
- High load capability & ultra low friction.
- All DuraBlue Composite Bushings and Sheets are rated for continuous duty and extremely smooth operation with specific pressure up to 25N/mm2.

DURABLE RUDDER BEARINGS

- All standard size rudder bearings shown are carried in-stock at our regional warehouses and manufacturing facility in Hiram, Ohio. Any size not shown can be made to order. 1" - 42" Inside Diameter range.

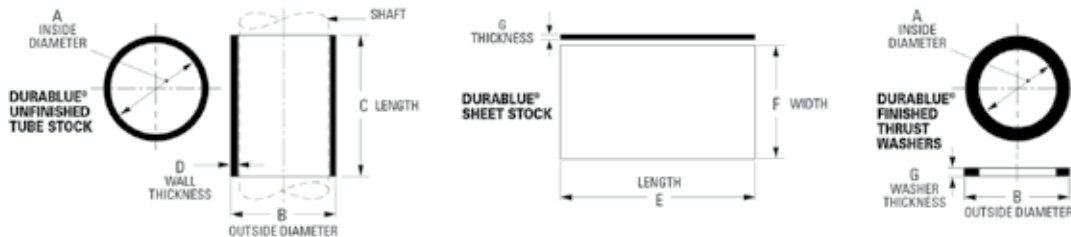
DURABLE SHEET STOCK

- For fabrication of Thrust Washers, Wear Pads and Skid Plates.

DuraBlue Unfinished Tube Stock

DuraBlue Sheet Stock

DuraBlue Finished Thrust Washers



DURABLE UNFINISHED TUBE STOCK

Order No.	Code	A - Inside Diameter	B - Outside Diameter	C - Length	D - Wall Thickness	Approx. Wt.	List Price
	(AGE)	1.00" (25 mm)	2.00" (51 mm)	30.50" (775 mm)	0.500" (13 mm)	3.4 lbs. (1.6 kg.)	
	(AIM)	1.00" (25 mm)	2.50" (51 mm)	30.50" (775 mm)	0.750" (19 mm)	6.2 lbs. (2.8 kg.)	
427810	(AIR)	1.00" (25 mm)	3.00" (76 mm)	30.50" (775 mm)	1.000" (25 mm)	9.3 lbs. (4.2 kg.)	\$436.29 C1-9263400
427820	(ALE)	1.00" (25 mm)	3.50" (89 mm)	30.50" (775 mm)	1.250" (32 mm)	13.1 lbs. (5.9 kg.)	\$603.59 C1-9530600
	(ARC)	1.00" (25 mm)	5.00" (127 mm)	30.50" (775 mm)	2.000" (51 mm)	27.8 lbs. (12.6 kg.)	
427815	(ARM)	1.75" (44 mm)	4.25" (108 mm)	30.50" (775 mm)	1.250" (32 mm)	17.4 lbs. (7.9 kg.)	\$735.29 C1-9253700
427841	(BAT)	2.00" (51 mm)	5.00" (127 mm)	30.50" (775 mm)	1.500" (38 mm)	24.3 lbs. (11.0 kg.)	\$1,013.99 C1-9931010
	(BOX)	2.75" (70 mm)	5.25" (133 mm)	30.50" (775 mm)	1.250" (32 mm)	22.9 lbs. (10.4 kg.)	
	(CAN)	3.50" (89 mm)	6.75" (171 mm)	30.50" (775 mm)	1.625" (41 mm)	37.0 lbs. (16.8 kg.)	
427844	(COG)	3.75" (95 mm)	6.25" (159 mm)	30.50" (775 mm)	1.250" (32 mm)	35.0 lbs. (15.9 kg.)	\$1,223.19 C1-9132210
	(DEW)	4.00" (102 mm)	7.00" (178 mm)	30.50" (775 mm)	1.500" (38 mm)	38.0 lbs. (17.2 kg.)	
427848	(DOT)	4.75" (121 mm)	7.25" (184 mm)	30.50" (775 mm)	1.250" (32 mm)	34.7 lbs. (15.7 kg.)	\$1,549.69 C1-9694510
	(ECO)	5.25" (133 mm)	8.25" (210 mm)	30.50" (775 mm)	1.500" (38 mm)	47.4 lbs. (21.5 kg.)	
427864	(ELK)	5.75" (146 mm)	8.25" (210 mm)	30.50" (775 mm)	1.250" (32 mm)	40.5 lbs. (18.4 kg.)	\$1,799.49 C1-9499710
427868	(ELM)	5.75" (146 mm)	9.25" (235 mm)	30.50" (775 mm)	1.750" (44 mm)	60.8 lbs. (27.5 kg.)	\$2,682.09 C1-9028620
427872	(FOX)	6.75" (171 mm)	9.25" (235 mm)	30.50" (775 mm)	1.250" (32 mm)	46.3 lbs. (21.0 kg.)	\$2,049.29 C1-9294020
427876	(GAL)	7.00" (178 mm)	10.50" (267 mm)	30.50" (775 mm)	1.750" (44 mm)	70.9 lbs. (32.1 kg.)	\$3,099.29 C1-9299030
	(GAP)	7.75" (197 mm)	10.25" (260 mm)	20.50" (521 mm)	1.250" (32 mm)	34.4 lbs. (15.6 kg.)	
427880	(GEM)	7.75" (197 mm)	10.25" (260 mm)	30.50" (775 mm)	1.250" (32 mm)	52.1 lbs. (23.6 kg.)	\$2,301.69 C1-9610320
	(HAT)	8.25" (210 mm)	10.75" (273 mm)	30.50" (775 mm)	1.250" (32 mm)	54.6 lbs. (24.7 kg.)	
427884	(HUB)	8.75" (222 mm)	11.25" (286 mm)	30.50" (775 mm)	1.250" (32 mm)	57.9 lbs. (26.2 kg.)	\$2,551.49 C1-9415520
	(INN)	9.25" (235 mm)	12.50" (318 mm)	30.50" (775 mm)	1.625" (41 mm)	82.3 lbs. (37.3 kg.)	
	(ION)	9.75" (248 mm)	12.25" (311 mm)	30.50" (775 mm)	1.250" (32 mm)	62.6 lbs. (28.4 kg.)	
427822	(IVY)	9.75" (248 mm)	13.00" (330 mm)	20.50" (521 mm)	1.625" (41 mm)	57.3 lbs. (27.0 kg.)	\$2,385.39 C1-9358320
427823	(JAB)	10.00" (254 mm)	13.00" (330 mm)	30.50" (775 mm)	1.500" (38 mm)	79.6 lbs. (36.0 kg.)	\$3,508.89 C1-9880530
	(JIG)	10.75" (273 mm)	13.75" (349 mm)	20.50" (521 mm)	1.500" (38 mm)	56.3 lbs. (25.5 kg.)	
427824	(JUG)	10.75" (273 mm)	13.75" (349 mm)	30.50" (775 mm)	1.500" (38 mm)	84.8 lbs. (38.4 kg.)	\$3,737.19 C1-9173730
427829	(KAS)	11.00" (279 mm)	14.00" (356 mm)	20.50" (521 mm)	1.500" (38 mm)	58.1 lbs. (27.4 kg.)	\$2,420.89 C1-9802420
427831	(KEG)	11.50" (292 mm)	14.00" (356 mm)	20.50" (521 mm)	1.250" (32 mm)	49.4 lbs. (23.3 kg.)	\$2,055.69 C1-9655020
	(KEY)	11.75" (298 mm)	14.75" (375 mm)	20.50" (521 mm)	1.500" (38 mm)	60.9 lbs. (27.6 kg.)	
427828	(KIT)	11.75" (298 mm)	14.75" (375 mm)	30.50" (775 mm)	1.500" (38 mm)	92.9 lbs. (42.1 kg.)	\$4,018.69 C1-9681040
	(LID)	12.75" (324 mm)	16.25" (413 mm)	20.50" (521 mm)	1.750" (44 mm)	77.7 lbs. (35.2 kg.)	
427832	(LOG)	12.75" (324 mm)	16.25" (413 mm)	30.50" (775 mm)	1.750" (44 mm)	117.6 lbs. (53.3 kg.)	\$5,187.89 C1-9878150
	(MOP)	13.75" (349 mm)	17.25" (438 mm)	20.50" (521 mm)	1.750" (44 mm)	83.0 lbs. (37.6 kg.)	
427836	(MUG)	13.75" (349 mm)	17.25" (438 mm)	30.50" (775 mm)	1.750" (44 mm)	123.5 lbs. (55.9 kg.)	\$5,484.69 C1-9648450
	(NAB)	14.75" (375 mm)	18.25" (464 mm)	20.50" (521 mm)	1.750" (44 mm)	88.4 lbs. (40.0 kg.)	
427878	(NAP)	14.00" (356 mm)	17.50" (445 mm)	20.50" (521 mm)	1.750" (44 mm)	84.3 lbs. (39.7 kg.)	\$3,560.89 C1-9806530
427839	(NOD)	14.75" (375 mm)	18.25" (464 mm)	30.50" (775 mm)	1.750" (44 mm)	131.5 lbs. (59.6 kg.)	\$5,839.69 C1-9693850

DURABLE SHEET STOCK

Order No.	Code	E - Sheet Length	F - Sheet Width	G - Sheet Thickness	Approx. Wt.	List Price
	(SAW)	48.50" (1232 mm)	20.50" (521 mm)	0.50" (12.70 mm)	24.0 lbs. (10.9 kg.)	
427852	(SAT)	48.50" (1232 mm)	30.50" (775 mm)	0.50" (12.70 mm)	36.0 lbs. (16.3 kg.)	\$1,272.89 C1-9827210
	(SKY)	48.50" (1232 mm)	20.50" (521 mm)	0.75" (19.05 mm)	36.0 lbs. (16.3 kg.)	
427856	(SEA)	48.50" (1232 mm)	30.50" (775 mm)	0.75" (19.05 mm)	57.0 lbs. (25.9 kg.)	\$1,929.89 C1-9892910
	(SUN)	48.50" (1232 mm)	20.50" (521 mm)	1.00" (25.40 mm)	47.0 lbs. (21.3 kg.)	
427860	(SOX)	48.50" (1232 mm)	30.50" (775 mm)	1.00" (25.40 mm)	70.0 lbs. (31.8 kg.)	\$2,572.29 C1-9227520

DURABLE FINISHED THRUST WASHERS

Order No.	Code	A - Inside Diameter	B - Outside Diameter	G - Washer Thickness
	(TOW)	6.063" (154.00 mm)	12.00" (304.80 mm)	0.500" (12.70 mm)
	(TUG)	7.063" (179.40 mm)	14.00" (355.60 mm)	0.500" (12.70 mm)
	(TUX)	8.063" (204.80 mm)	13.25" (336.55 mm)	0.625" (15.88 mm)

- Electronics
- Trolling Motors
- Instruments
- Electrical
- Lighting
- Anchor & Dock
- Safety
- Steering, Controls
- Pumps
- Fuel System
- Seating & Pedestals
- Trailering
- Tops & Covers
- Perform.
- Propellers
- Engine & Core
- Cleaning & Care
- Paint & Paint Acc.
- Fun & Flotation
- Topside Acc.
- Cockpit & Deck
- Hardware, Fasteners
- Camouflage
- Misc.
- Comm.

SERVICE & REPAIR

Anywhere. Anytime.



Superior Service • Largest Inventory • 24/7/365

*All Electrical
All Hydraulics
All Boat Systems*



DONOVAN
SERVICE & REPAIR

24/7 DISPATCH 1-844-365-2470

- Electronics
- Trolling Motors
- Instruments
- Electrical
- Lighting
- Anchor & Dock
- Safety
- Steering, Controls
- Pumps
- Fuel System
- Seating & Pedestals
- Trailering
- Tops & Covers
- Perform.
- Propellers
- Engine & Care
- Cleaning & Care
- Paint & Paint Acc.
- Fun & Flotation
- Topside Acc.
- Cockpit & Deck
- Hardware, Fasteners
- Camouflage
- Misc.

NEW CONSTRUCTION

MAJOR REBUILD

TROUBLESHOOT & REPAIR

- From engine room, to generators, to light switches and outlets, to wheel house and everywhere else in between
- Let us subcontract all electric and hydraulic from design through installation and commissioning
- Installations/repairs will meet Coast Guard & ABS regulations
- Rewire - remove existing cables and electrical components and re-install to the highest standard
- Design and furnish switchboards and alarm systems
- Complete diagnostic, maintenance and annual inspection of all your electrical and hydraulic equipment needs

YOU CALL, WE COME & DON'T LEAVE UNTIL PROBLEM IS IDENTIFIED & FIXED!
WE MANAGE ALL SYSTEMS FOR THE LIFE OF YOUR VESSEL.

Electronics

Trolling Motors

Instruments

Electrical

Lighting

Anchor & Dock

Safety

Steering, Controls

Pumps

Fuel System

Seating & Pedestals

Trailering

Tops & Covers

Perform.

Propellers

Engine & Care

Cleaning & Care

Paint & Paint Acc.

Fun & Flotation

Topside Acc.

Cockpit & Deck

Hardware, Fasteners

Camouflage

Misc.

CRANES & DAVITS

Troubleshoot, repair, service, commission, and technical support for Techimpianti and Palfinger/Ned-deck

Life Boat/Fast Rescue Vessels

Annual/5-year inspections available

STEERING SYSTEMS

Troubleshoot, repair, service, install, commission, and technical support for all systems

Complete inventory of all steering components

Annual inspections available

ALARM SYSTEMS

Troubleshoot, repair, service, install, commission, and technical support for all systems

Custom design and build any alarm system to meet your needs

Expertise in calibrating all system sensors

MARINE ELECTRICAL HIGH/LOW VOLTAGE

Custom design, build, troubleshoot, repair, service, install, and technical support for all electrical systems

ENGINE CONTROL

Troubleshoot, repair, service, install, commission, and technical support

Expertise in Mathers (ZF) control systems

Mechanical and electrical engine controls

HYDRAULIC SYSTEMS

Troubleshoot, repair, service, install, commission, and technical support

HPU, custom designs, component sales, field service, retrofits

ELECTRICAL SWITCHBOARDS

Troubleshoot, repair, service, install, commission, and technical support for all brands

Expertise in design, service and installation

OILY WATER SEPARATORS

Troubleshoot, repair, service, commission, and technical support for all brands

Annual inspections available

Service to IMO107 standards

MARINE SANITATION DEVICES

Troubleshoot, repair, service, commission, and technical support for all brands

Annual inspections available

Service to IMO107 standards

WATER MAKERS/UV PURIFIERS

Troubleshoot, repair, service, commission, and technical support for all brands

Annual inspections available

LP Fuel pump, high pressure pump, membrane, control panel expertise

WATERTIGHT DOORS

Troubleshoot, repair, service, install, commission, and technical support for all brands

Expertise in electrical and hydraulic

Annual inspections available

SEARCHLIGHTS

Troubleshoot, repair, service, install, commission, and technical support for all brands

Expertise in Xenon & Perko

Replacement bulbs available and in stock

BOW THRUSTERS

Troubleshoot, repair, service, commission, and technical support for all brands

BATTERY CHARGERS

Troubleshoot, repair, service, install, commission, and technical support for all brands

Expertise in sales of Newmar and Charles

TRAVELIFT/SHUTTLELIFT

Troubleshoot, repair, service, install, commission, and technical support

Annual inspections available

DECK WINCHES, WINDLASSES & CAPSTANS

Troubleshoot, repair, service, install, commission, and technical support

All electric and hydraulic brands

Sales and expertise in Palfinger, Norwegian, Patterson and SLM

24/7 DISPATCH
1-844-365-2470

Duramax Marine DuraCooler SuprStak with TurboTunnel Design



- More than double the heat transfer in half the hull space.
- Turbo Tunnel Header Design.
- Round Turbulizer Spacers.
- Flow Diverter Scoops.
- One Piece Brazed or Modular Design .

**DuraCooler
SuprStak**
with TurboTunnel Design



Duramax Marine BoxCooler

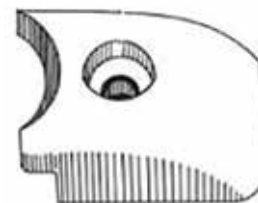


- Larger cooling capacity than external cooling systems.
- Protection in ships hull against damage.

EASY MAINTENANCE

- No spare parts required.
- Maintenance and repair can be done without dry-docking.
- No need to overhaul raw water pumps and piping every 5 years.
- ICAF System available.
- Type Approved.

Keel Cooler Anodes



Z-1 KEEL COOLER ANODE

- For size 1/2", 3/4", 1" Single Stem and 1-1/4" and 1-1/2" Double Stem 4 tube 1-1/8" fluted.

Order No.	Mfg. No. / Description	List Price	
338165	(Z-1)	\$12.89	GO-4680000

Z-2 KEEL COOLER ANODE

- For size 1-1/4" and 1-1/2", 1" Single Stem and 2-1/2" Double Stem 4 tube 1-1/2" turbo tube.

Order No.	Mfg. No. / Description	List Price	
338167	(Z-2)	\$16.29	GO-1901000

Z-3 KEEL COOLER ANODE

- For size 2", 2-1/2", 3", 4" Single Stem and 3" and 4" Double Stem.

Order No.	Mfg. No. / Description	List Price	
338169	(Z-3)	\$33.69	GO-7522000

Keel Cooler Anodes

- Fits DuraCooler style keel coolers.

Order No.	Mfg. No. / Description	List Price	
348157	(8200281AK) Kit 1274S	\$187.99	DO-9305100
348208	(8200119AK) Kit 2624S	\$189.99	DO-9915100
348210	(8200108AK) Kit 2874S	\$281.99	DO-9552200
348346	(8200116AK) Kit 1874S	\$261.99	DO-9590200

Electronics
Trolling Motors
Instruments
Electrical
Lighting
Anchor & Dock
Safety
Steering, Controls
Pumps
Fuel System
Seating & Pedestals
Trailer
Tops & Covers
Perform.
Propellers
Engine & Care
Cleaning & Care
Paint & Paint Acc.
Fun & Flotation
Topside Acc.
Cockpit & Deck
Hardware, Fasteners
Camouflage
Misc.
Comm.

Duracooler™

by



Quality 90/10 Cupro-Nickel.

Rectangular tubing, resistant to salt, water corrosion and sea growth.

Superior heat transfer. Compact, one piece.

Through-hull type fittings.

Available in a wide range of models and different tubing sizes.

Engineered for fast, economical, simplified installation.

Custom sized to your engine specifications and operational requirements.

- Electronics
- Trolling Motors
- Instruments
- Electrical
- Lighting
- Anchor & Dock
- Safety
- Steering, Controls
- Pumps
- Fuel System
- Seating & Pedestals
- Trailering
- Tops & Covers
- Perform.
- Propellers
- Engine & Care
- Cleaning & Care
- Paint & Paint Acc.
- Fun & Flotation
- Topside Acc.
- Cockpit & Deck
- Hardware, Fasteners
- Camouflage
- Misc.



To determine the optimum sizing of a DURACOOLER™ Keel Cooler, please provide the following information:

1. Manufacturer and Engine Model
2. Engine Rating with Horsepower and RPM
3. Coolant Temperature Requirement for entering or exiting the engine
4. Total Heat Rejection to Coolant (BTU/min.)
5. Coolant Flow (GPM)
6. Minimum Hull Speed at full RPM (knots)
7. Maximum Ambient Seawater Temperature
8. Will Anti-Freeze Be Used
9. Dry or Wet Manifolds

DuraCooler - New Flanged- Mount Design

Duracooler™

LOOKS LIKE OTHER KEEL COOLERS - LOOK CLOSER!

In the commercial marine industry you need every competitive advantage you can get. That's why we've developed the DuraCooler - one of the most innovative keel coolers on the market today. Sure DuraCooler looks like other keel coolers, but look a little closer. DuraCooler's unique streamlined header design enhances internal coolant and external seawater flow while reducing system pressure drop. The new design also provides optimum heat transfer efficiency in a smooth tube design, resulting in smaller keel cooler units and a reduction in cooling system costs. On repower, replacement or retrofits, this increased cooling capacity within the same installation footprint provides the vessel owner an additional cooling safety factor.

NO MORE THROUGH HULLS FOR KEEL COOLER INSTALLATIONS

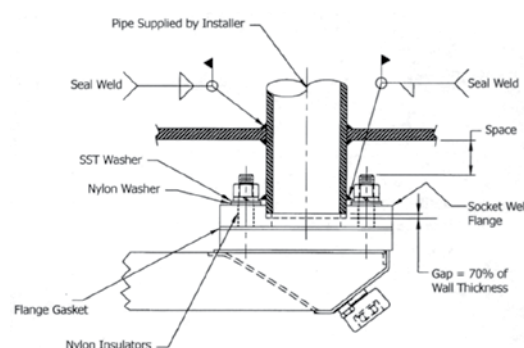
Now the streamlined DuraCooler design is available in a flanged-mount connection design. The new flanged-mounted connection is obtained by means of a cupronickel flange affixed to the top of the DuraCooler header and a mild ASTM steel flange, supplied with the cooler. Weld a schedule 80 steel pipe to the steel flange supplied with the DuraCooler unit, and bolt the cupronickel flange to the steel flange using the supplied hardware. Extend the pipe through the hull and fillet weld the pipe to the hull on both sides. Rest easy knowing that you no longer have a through hull penetration with this design.

NO MORE SPECIAL TOOLS

With the standard nozzle and nut keel cooler attachment method, it can be difficult to access the nut inside the hull. Additionally, with this design you do not have to fabricate a special mounting nut wrench. It is no longer necessary. All standard flanged-mount hardware is located outside the vessel where it is easier to access. Use tools found in a typical toolbox.

PERFECT FOR DOUBLE HULL DESIGNS

So you are designing or building a vessel with a double hull. Standard through hull keel cooler nozzles may not be long enough to penetrate both hulls. The flanged-mount design is ideal.



FEATURES/BENEFITS

- **No through-hull connections** - If a flanged mounted DuraCooler is knocked off the vessel, you won't need to worry about flooding the vessel.
- **No need to fabricate special tools for installation** which will save time and money on installation costs.
- **Space savings inside hull** - If the area inside the hull is tight or equipment makes the internal nut on the through hull fitting inaccessible, the flanged-mount design is ideal.
- **Eliminates the need for a cofferdam or searches** which will save time and money on installation costs.
- **Keel cooler research and development program** - We test actual DuraCoolers and competitive keel coolers under various operating conditions. This data is used to create more accurate recommendations.
- **Simplified Installation** when mounting hardware cannot be easily accessed from the interior of the vessel or for double hull installations.
- **Streamlined header design** allows for less internal pressure drop of coolant flowing through the keel cooler. External water travels more quickly to tubes increasing the heat transfer efficiency to the cooler.

Duramax Marine Keel Coolers



- 90/10 cupro-nickel tubing is resistant to waterflow erosion and serves as an antifoulant.
- Compact, one-piece design makes installation simple.
- Streamlined header design reduces pressure drop in water flowing through the cooler.
- External water travels more quickly to tubes increasing the heat transfer efficiency of the cooler.
- Custom-sized for your engine specifications and operational requirements.
- Available with through-hull type fittings or non-through-hull flanges.
- PATENT PENDING.

Order No.	Mfg. No. / Description	List Price	
473215	(DC-416144)	\$8,822.98	CO-3599470
473241	(DC-41696)	\$7,792.98	CO-3042660

**LIMITED
QUANTITIES**



SPECIAL HANDLING MAY APPLY



Duracooler™

Donovan Representative: _____

Customer: _____ Customer Number: _____

Contact: _____

Phone Number: _____ Fax Number: _____

Name of Vessel/Hull #: _____ Cooler Installation: New _____ or Retrofit _____

Hull Dimensions: Length: _____ ft. Beam: _____ ft. Draft: _____ ft.

*Minimum speed at which full HP will be developed: _____ knots.

*Expected maximum ambient sea water temperature: _____ deg. F.

Use of Vessel: _____ (Push boat, crewboat, OSV, trawler, tug, etc.)

Main engines: Quantity: _____ *Manufacturer: _____, *Model: _____

*HP: _____ *RPM: _____, *Exhaust: Wet _____ or Dry _____, *Turbocharger (Y/N): _____

*Specify tier of engine: _____

Location of cooler(s): _____ (bottom or side of hull)

Single or double pass cooler preferred: _____

Manufacturer of gear (if gear is to be cooled): _____ Model: _____

Reduction: _____ /1, If Reintjes gear provide water pump flow _____ GPM

Other engines to be cooled:

Generator:

*Manufacturer: _____, *Model: _____, *RPM: _____, *KW: _____

*Specify tier of engine: _____

Bow Thruster:

*Manufacturer: _____, *Model: _____, *HP: _____, *RPM: _____

*Specify tier of engine: _____

Stern Thruster:

*Manufacturer: _____, *Model: _____, *HP: _____, *RPM: _____

*Specify tier of engine: _____

Compressor or other special application:

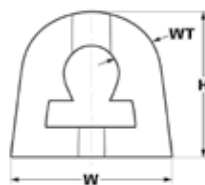
Application: _____

*Manufacturer: _____, *Model: _____, *HP: _____, *RPM: _____

Comments:

- Electronics
- Trolling Motors
- Instruments
- Electrical
- Lighting
- Anchor & Dock
- Safety
- Steering, Controls
- Pumps
- Fuel System
- Seating & Pedestals
- Trailering
- Tops & Covers
- Perform.
- Propellers
- Engine & Care
- Cleaning & Care
- Paint & Paint Acc.
- Fun & Flotation
- Topside Acc.
- Cockpit & Deck
- Hardware, Fasteners
- Camouflage
- Misc.

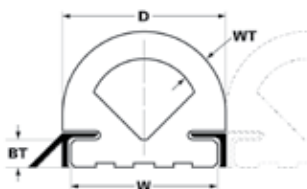
Johnson Duramax Commercial Bumpers - Tapered D-Shape



- Designed for marine and industrial applications.
- Provides protection for small vessels, docks, loading docks, trucks and other equipment.

Order No.	Mfg. No.	Color	Base Width (W)	Height (H)	Wall Thickness (WT)	Wt./ft.	Length	List Price/ft.	
428006	(DB-50)	Black	2-1/8"	2"	7/16"	1.2 lbs.	20'	\$15.99	FO-9111000
428020	(DB-75)	Black	3-1/8"	2-7/8"	11/16"	2.6 lbs.	20'	\$29.99	FO-9902000
428056	(DB-100)	Black	4-1/4"	3-7/8"	3/4"	5.1 lbs.	20'	\$55.99	FO-9193000

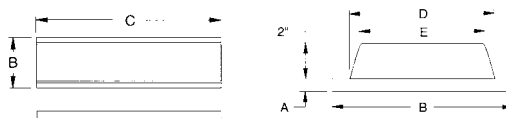
Johnson Duramax Commercial Bumpers - Fan Nose



- Held on the vessel, truck or dock in an angle iron channel, no mounting holes are necessary.

DMI #	MFG #	Color	Height (H)	Base Width (W)	Base Thickness (BT)	Outside Dia. (D)	Wall Thickness (WT)	Wt./ft.	Length	List Price/ft.	
428119	(DB-503)	Black	2-1/2"	2-1/2"	17/32"	3"	5/8"	2.5 lbs.	20'	\$35.99	FO-9152000
428157	(DB-504)	Black	3-1/2"	3-5/8"	25/32"	4-1/4"	3/4"	4.7 lbs.	20'	\$45.99	FO-9123000

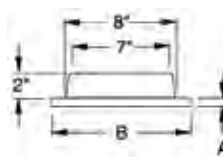
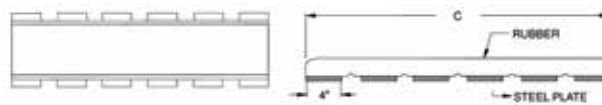
Johnson Duramax Commercial Bumpers - Single Tow Knees



- Have a tough resilient 2" rubber pad bonded to a metal plate.
- A proprietary bonding method is used for superior rubber to metal bond.
- This improves the wear life of the Tow Knee in the most demanding marine environments.

DMI #	MFG #	Thickness (A)	Width (B)	Length (C)	Base Width (D)	Surface Width (E)	Weight Per Unit	List Price	
428575	(DB-1408)	3/4"	10"	36"	8"	7"	90 lbs.	\$287.79	C1-9778200
428563	(DB-1409)	1/2"	10"	36"	8"	7"	65 lbs.	\$258.69	C1-9685200
428551	(DB-1410)	1/4"	10"	36"	8"	7"	50 lbs.	\$241.59	C1-9514200
428614	(DB-1508)	3/4"	13-1/2"	36"	11-1/4"	10-1/4"	130 lbs.	\$459.39	C1-9395400
428602	(DB-1509)	1/2"	13-1/2"	36"	11-1/4"	10-1/4"	90 lbs.	\$410.49	C1-9401400

Johnson Duramax Modular Bumper - Segmented Tow Knee



- Segmented tow knees have 6 independent 4" x 10" welding plates that permit bending the tow knee on a radius.
- The rubber pad has molded grooves in between the plates to reduce part stress at bend locations.

DMI #	MFG #	Plate Thickness (A)	Width (B)	Length (C)	Weight Per Unit	List Price	
428804	(DB-1909)	1/2"	10"	35-1/2"	53 lbs.	\$287.79	C1-9778200



SPECIAL HANDLING MAY APPLY



- Electronics
- Trolling Motors
- Instruments
- Electrical
- Lighting
- Anchor & Dock
- Safety
- Steering, Controls
- Pumps
- Fuel System
- Seating & Pedestals
- Trailering
- Tops & Covers
- Perform.
- Propellers
- Engine & Care
- Cleaning & Care
- Paint & Paint Acc.
- Fun & Flotation
- Topside Acc.
- Cockpit & Deck
- Hardware, Fasteners
- Camouflage
- Misc.
- Comm.



2200 SERIES

W-FENDERS

Structural bow fender that absorbs impact abuse of the rugged daily grind.

Tough, high quality, EPDM rubber pads conform with bow hull contour. Attached to bow with pins. Can also be used in Tow Knee applications.

Colors Available: Black (standard), and in Non-Marking Gray and White

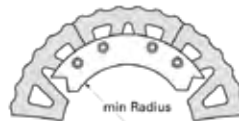
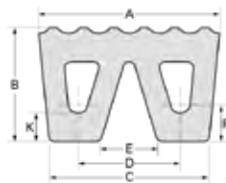
Sizes Available: Up to 20 ft. maximum length.



CODE NO.	A	B	C	D	E	F	K	MAX LENGTH		WEIGHT	
								mm	ft	kg/m	lb/ft
DB-2200	320	200	280	180	100	67	50	6096	20	51	35
DB-2201	400	250	350	220	110	75	55	6096	20	81	55
DB-2202	480	300	426	269	135	90	65	6096	20	120	82

W-FENDER HARDWARE (NOT SUPPLIED)

CODE NO.	PIN DIA.	FLAT BAR	MIN. RADIUS	
			mm	in
DB-2200	Ø25	100 x 20	600	23.62
DB-2201	Ø30	120 x 20	800	31.49
DB-2202	Ø40	140 x 20	900	35.43



Additional supports required for lengths > 36"



2300 SERIES

M-FENDERS

Structural bow fender that absorbs impact abuse of the rugged daily grind.

Tough, high quality, EPDM rubber pads conform with bow hull contour. Attached to bow with pins.

Colors Available: Black (standard), and in Non-Marking Gray and White

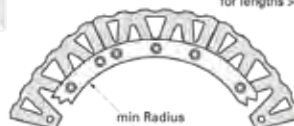
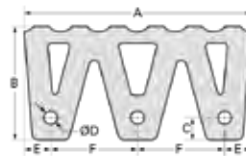
Sizes Available: Up to 20 ft. maximum length.



CODE NO.	A	B	C	ØD	E	F	MAX LENGTH		WEIGHT	
							mm	ft	kg/m	lb/ft
DB-2300	400	200	40	23	50	150	6096	20	56	43
DB-2301	500	250	50	27	60	190	6096	20	89	62
DB-2302	600	300	60	33	70	230	6096	20	132	91

M-FENDER HARDWARE (NOT SUPPLIED)

CODE NO.	PIN DIA.	FLAT BAR	MIN. RADIUS	
			mm	in
DB-2300	Ø20	100 x 15	450	17.72
DB-2301	Ø24	125 x 20	550	21.65
DB-2302	Ø30	150 x 20	650	25.59



Additional supports required for lengths > 36"

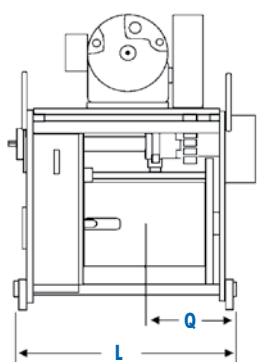


- Electronics
- Trolling Motors
- Instruments
- Electrical
- Lighting
- Anchor & Dock
- Safety
- Steering, Controls
- Pumps
- Fuel System
- Seating & Pedestals
- Trailing
- Tops & Covers
- Perform.
- Propellers
- Engine & Care
- Cleaning & Care
- Paint & Paint Acc.
- Fun & Flotation
- Topside Acc.
- Cockpit & Deck
- Hardware, Fasteners
- Camouflage
- Misc.

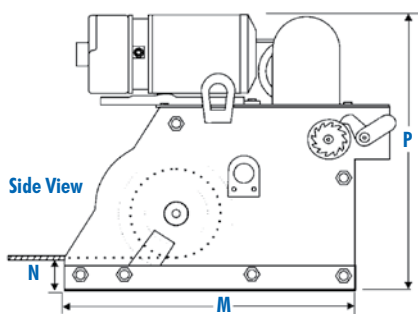
W.W. Patterson Ten Models From 20 to 75 Ton Shock Load Capacity

ELECTRIC WINCH SPECIFICATIONS

MFG #	Shock Load Capacity	Maximum Pull	Maximum Speed	Rated Line Pull	Manual Ratios	Base Dimensions	Drum Diameter	Weight	Electric Motors
WWP20E-3-6L/R	40,000 lbs.	16,000 lbs.	14 fpm	5,200 lbs.	20:1 298:1	35" x 15"	8-5/8"	800 lbs.	3 HP, 3 Phase 60 Hz, 230/460V
WWP20EX-3-6L/R	40,000 lbs.	12,000 lbs.	19 fpm	3,800 lbs.	20:1 220:1	35" x 15"	8-5/8"	800 lbs.	3HP, 3 Phase 60 Hz, 230/460V
WWP30E-3-10L/R	60,000 lbs.	15,000 lbs.	13 fpm	5,400 lbs.	20:1 380:1	35" x 19"	10"	950 lbs.	3HP, 3 Phase 60 Hz, 230/460V
WWP30E-5-10L/R	60,000 lbs.	20,000 lbs.	17 fpm	6,600 lbs.	20:1 280:1	35" x 19"	10"	950 lbs.	5HP, 3 Phase 60 Hz, 230/460V
WWP40E-5-14L/R	80,000 lbs.	24,000 lbs.	15 fpm	8,000 lbs.	16:1 325:1	37" x 25"	10"	1,300 lbs.	5HP, 3 Phase 60 Hz, 230/460V
WWP40E-7.5-14L/R	80,000 lbs.	25,000 lbs.	22 fpm	8,400 lbs.	16:1 222:1	37" x 25"	10"	1,300 lbs.	7.5HP, 3 Phase 60 Hz, 230/460V
WWP65E-7.5-14L/R	130,000 lbs.	36,000 lbs.	16 fpm	11,000 lbs.	24:1 422:1	40" x 25"	14"	2,000 lbs.	7.5HP, 3 Phase 60 Hz, 230/460V
WWP65E-10-14L/R	130,000 lbs.	30,000 lbs.	26 fpm	9,800 lbs.	24:1 264:1	40" x 25"	14"	2,000 lbs.	10HP, 3 Phase 60 Hz, 230/460V
WWP75E-10-10L/R	150,000 lbs.	36,000 lbs.	22 fpm	12,000 lbs.	20:1 215:1	45" x 22"	16"	2,500 lbs.	10HP, 3 Phase 60 Hz, 230/460V



Left Hand Unit, Rear View



Side View



ELECTRIC WINCH DRUM CAPACITIES AND WINCH/WORKBOAT SIZING

MFG #	Drum Capacities and Maximum Recommended Wire Rope Diameter	For Use on Workboats with Maximum Horsepower of:
WWP20E-3-6L/R	100' of 3/4"	Up to 800
WWP20EX-3-6L/R	100' of 3/4"	Up to 800
WWP30E-3-10L/R	75' of 7/8"	800 to 1,300
WWP30E-5-10L/R	75' of 7/8"	800 to 1,300
WWP40E-5-14L/R	100' of 1"	1,300 to 5,600
WWP40E-7.5-14L/R	100' of 1"	1,300 to 5,600
WWP65E-7.5-14L/R	150' of 1-1/8"	1,300 to 5,600
WWP65E-10-14L/R	150' of 1-1/8"	5,600 to 10,000
WWP75E-10-10L/R	150' of 1-1/8" & 130' of 1-1/4"	5,600 to 10,000

ELECTRIC WINCH DIMENSIONS

MFG #	L	M	N	P	Q
WWP20E-3-6L/R	14-3/4"	35"	5-1/2"	32-1/2"	5-13/16"
WWP20EX-3-6L/R	14-3/4"	35"	5-1/2"	32-1/2"	5-13/16"
WWP30E-3-10L/R	19"	35"	4-7/8"	32"	8-13/16"
WWP30E-5-10L/R	19"	35"	4-7/8"	32"	8-13/16"
WWP40E-5-14L/R	24-1/2"	37"	4"	40"	9-3/16"
WWP40E-7.5-14L/R	24-1/2"	37"	4"	40"	9-3/16"
WWP65E-7.5-14L/R	25-3/4"	38"	5-1/2"	48"	10-3/4"
WWP65E-10-14L/R	25-3/4"	38"	5-1/2"	48"	10-3/4"
WWP75E-10-10L/R	22-1/4"	45"	8-1/4"	50-1/4"	8-1/4"

W.W. Patterson Electric Winches (Special Winches Available)

208 VOLT, PAINTED, 3 HP

Order No.	Mfg. No. / Description	Left Hand	20 Ton	List Price	
528125	(WWP20E-3-6L)	Left Hand	20 Ton	\$16,163.00	BO-0764541

208 VOLT, PAINTED, 5 HP

Order No.	Mfg. No. / Description	Right Hand	40 Ton	List Price	
528145	(WWP40E-5-14R)	Right Hand	40 Ton	\$20,100.00	BO-0009081
528146	(WWP40E-5-14L)	Left Hand	40 Ton	\$20,100.00	BO-0009081
528313	(B120013)	Gearmotor - 5 HP, 208V		\$4,300.00	BO-0007830

230/460 VOLT, PAINTED, 5 HP

Order No.	Mfg. No. / Description	Right Hand	40 Ton	List Price	
528161	(WWP40E-5-14R)	Right Hand	40 Ton	\$20,100.00	BO-0009081

208 VOLT, GALVANIZED, 7.5 HP

Order No.	Mfg. No. / Description	Left Hand	40 Ton	List Price	
528162	(WWP40E7.514L)	Left Hand	40 Ton	\$27,411.00	BO-0996642
528163	(WWP40E7.514R)	Right Hand	40 Ton	\$27,411.00	BO-0996642

230-460 VOLT, PAINTED, 7.5 HP

Order No.	Mfg. No. / Description	Left Hand	40 Ton	List Price	
528174	(WWP40E7.514L)	Left Hand	40 Ton	\$23,050.00	BO-0054702
528176	(WWP40E7.514R)	Right Hand	40 Ton	\$23,050.00	BO-0054702
528182	(WWP65E7.514L)	Left Hand	65 Ton	\$27,011.00	BO-0990342
528184	(WWP65E7.514R)	Right Hand	65 Ton	\$27,011.00	BO-0990342

230/460 VOLT, PAINTED, 5 HP (OLD STYLE WINCH)

Order No.	Mfg. No. / Description	40 Ton	List Price	
528149	(WWP40E514N-L)	40 Ton	\$15,120.00	BO-0080631

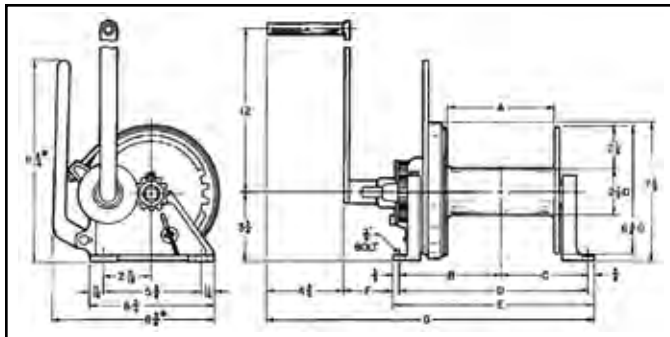
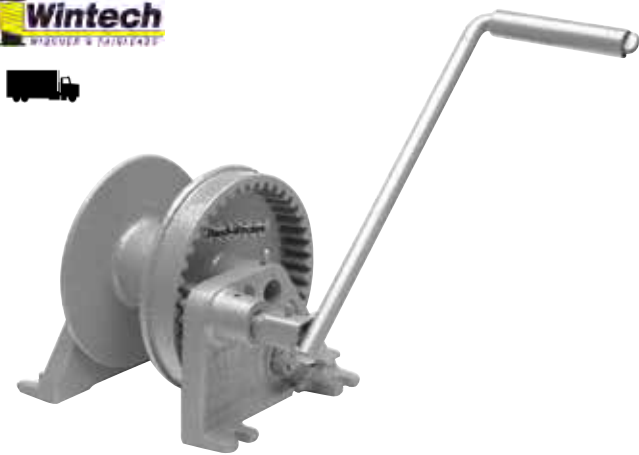


SPECIAL HANDLING MAY APPLY



- Electronics
- Trolling Motors
- Instruments
- Electrical
- Lighting
- Anchor & Dock
- Safety
- Steering, Controls
- Pumps
- Fuel System
- Seating & Pedestals
- Trailer
- Tops & Covers
- Perform.
- Propellers
- Engine & Care
- Cleaning & Care
- Paint & Paint Acc.
- Fun & Flotation
- Topside Acc.
- Cockpit & Deck
- Hardware, Fasteners
- Camouflage
- Misc.

Wintech Spur-Gear "Handi-Winch" Series Hand Winches



Model #	Ton	A	B	C	D	E
(AM3B)	1/2 Ton	3"	4-7/32"	3-9/32"	7-1/2"	8-1/4"
(BM6B)	1 Ton	6"	5-23/32"	4-25/32"	10-1/2"	11-1/4"

- Designed to offer a portable hand winch for light lifting, lowering, holding, moving or securing rated loads.
- Cast steel drum.
- Ductile iron frame.
- Cast bronze spur gear pinion.
- Spring operated load holding dogs.
- Single direction on models equipped with lowering brakes.
- Suitable for marine environment.
- Gear ratio: 5.25:1.
- Drum capacities: 1/8" at 367', 3/16" at 151', 1/4" at 89' and 5/16" at 54'.
- Note: Not recommended for power applications.

1/2 TON HAND WINCH WITH BRAKE

- Gear ratio: 5.25:1.
- Drum capacities: 1/8" at 367', 3/16" at 151', 1/4" at 89', and 5/16" at 54'.

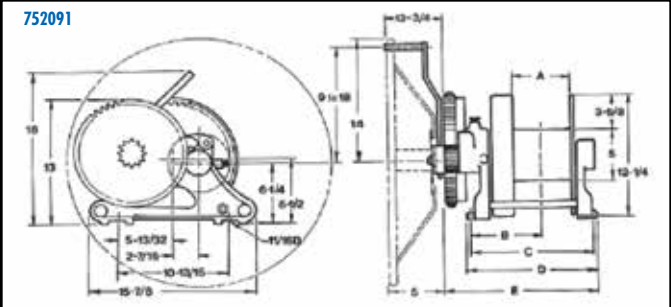
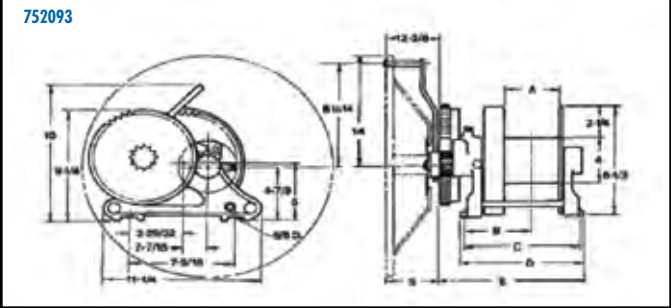
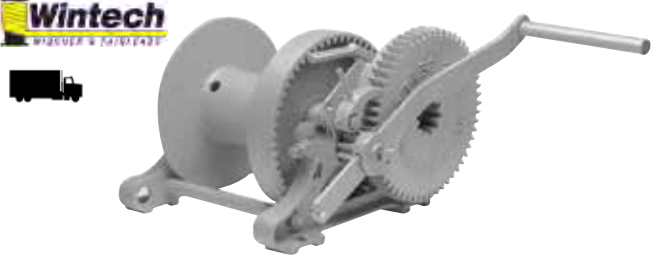
Order No.	Mfg. No. / Description	List Price
752041	(BAM3B)	\$645.05 B0-5508500

1 TON HAND WINCH WITH BRAKE

- Gear ratio: 5.25:1/10.5:1.
- Drum capacities: 1/8" at 735', 3/16" at 303', 1/4" at 178', and 5/16" at 109'.

Order No.	Mfg. No. / Description	Price on Request
S/O	(BM6B)	

Wintech Spur-Gear Series Hand Winches



Model #	Ton	A	B	C	D	E
(LM6)	2 Ton	6"	5-7/8"	10-3/4"	12-1/4"	14"
(HM8)	5 Ton	8"	7-7/8"	13-7/8"	15-3/8"	17-3/4"

- All steel hand winches are designed for marine duty and industrial use.
- Cast steel drums and ring gear.
- Steel load bearing components, cast steel frames.
- Replaceable bronze bushings.
- One piece fully adjustable 14" long steel operating handle with pinion.
- Spring loaded holding dog with release handle.
- Hand operated, adjustable holding brake.
- Easy free spooling.
- Two speed gear change offers fast cable take up and easier winching.
- Note: Not recommended for power operation.

2 TON HAND WINCH WITH BRAKE

- Gear ratio: 4:1/22:1.
- Drum capacities: 1/4" at 278', 5/16" at 180', 3/8" at 133', 7/16" at 97' and 1/2" at 66'.

Order No.	Mfg. No. / Description	List Price
752093	(BLM6 2 TON) Winch with Hand Crank	\$1,291.31 B0-8126110

5 TON HAND WINCH WITH BRAKE

- Gear ratio: 4:1/24:1.
- Drum capacities: 3/8" at 358', 7/16" at 284', 1/2" at 220' and 5/8" at 123'.

Order No.	Mfg. No. / Description	List Price
752091	(BHM8) Winch with Hand Crank	\$1,806.09 B0-8452610
752095	(BHM8WB14-0014) With Pedestal & Wheel Crank	\$2,583.73 B0-6352320

- Electronics
- Trolling Motors
- Instruments
- Electrical
- Lighting
- Anchor & Dock
- Safety
- Steering, Controls
- Pumps
- Fuel System
- Seating & Pedestals
- Trailing
- Tops & Covers
- Perform.
- Propellers
- Engine & Care
- Cleaning & Care
- Paint & Paint Acc.
- Fun & Flotation
- Topside Acc.
- Cockpit & Deck
- Hardware, Fasteners
- Camouflage
- Misc.

SPECIAL HANDLING MAY APPLY



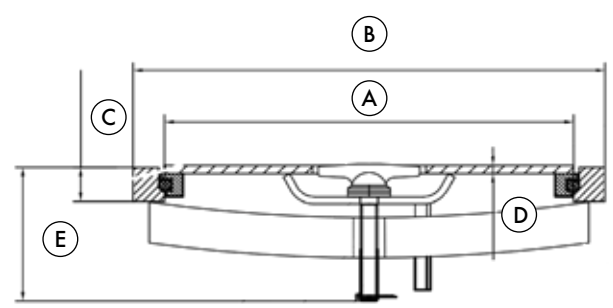
ICF T-Handle Manholes



- T-bolt strong-back style flush manholes provide an easy access enclosure with a single T-Handle bolt operation.
- These steel manholes offer a strong, dependable watertight enclosure.
- Features: Stainless steel t-bolt, galvanized steel strong-back and buna-n gasket.
- Stainless steel manhole includes stainless steel strong-back.



ICF 18" T-Handle Manholes



A	B	C	D	E
18"	20-3/4"	1-1/2"	3/8"	5-7/8"

18" PAINTED STEEL

Order No.	Mfg. No.	Description	List Price	
3105380	(TH430-18A)	T-Handle Manhole (78 lbs.)	\$245.43	A0-3454200
3105260	(TH430-TOP18)	Cover Assembly	\$225.75	A0-5752200

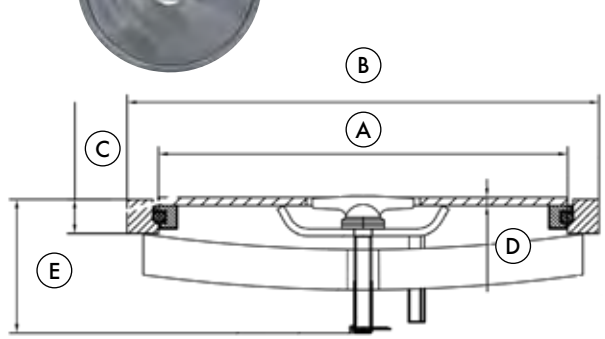
18" GALVANIZED

Order No.	Mfg. No.	Description	List Price	
3105390	(TH430-18G)	T-Handle Manhole (82 lbs.)	\$278.35	A0-5387200
3105400	(TH430-TOP18G)	Cover Assembly	\$221.73	A0-3712200

18" STAINLESS STEEL

Order No.	Mfg. No.	Description	List Price	
3109200	(SS0430-18A)	T-Handle Manhole (75 lbs.)	\$740.89	A0-9804700
3105405	(SS0430-TOP18)	Cover Assembly	\$427.92	A0-2972400

ICF 24" T-Handle Manholes



A	B	C	D	E
24"	26-3/4"	1-1/2"	3/8"	5-7/8"

24" PAINTED STEEL

Order No.	Mfg. No.	Description	List Price	
3105640	(TH430-24A)	T-Handle Manhole (118 lbs.)	\$365.57	A0-7556300
3105420	(TH430-TOP24)	Cover Assembly	\$253.33	A0-3335200

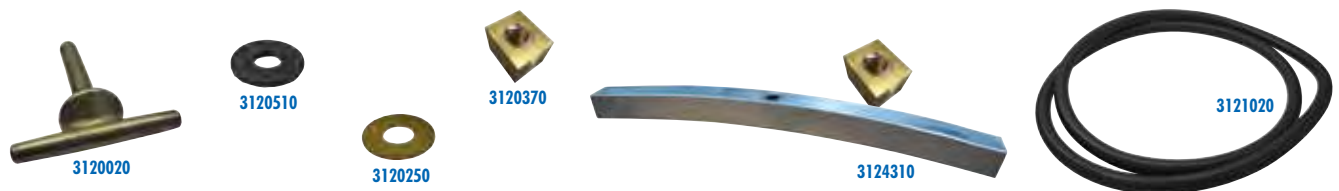
24" GALVANIZED

Order No.	Mfg. No.	Description	List Price	
3105660	(TH430-24G)	T-Handle Manhole (117 lbs.)	\$436.13	A0-3163400
3105440	(TH430-TOP24G)	Cover Assembly	\$298.24	A0-4289200

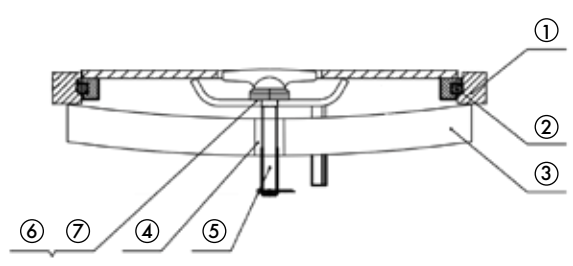
24" STAINLESS STEEL

Order No.	Mfg. No.	Description	List Price	
3109221	(SS0430-24A)	T-Handle Manhole (114 lbs.)	\$981.41	A0-3454200

ICF Accessories for T-Handle Manholes



No.	Order No.	Mfg. No.	Description	List Price	
1	3105410	(TH430-DR-GL)	18" Deck Ring (Galvanized)	\$109.03	A0-3090100
2	3121020	(TH430-ORNG18)	18" Hatch Gasket (Buna-N)	\$9.55	A0-5590000
2	3121140	(TH430-ORNG24)	24" Hatch Gasket (Buna-N)	\$11.01	A0-1011000
3	3124050	(TH430-SBA18)	18" Strongback with Nut	\$23.90	A0-0932000
3	3124310	(TH430-SBA24)	24" Strongback with Nut	\$25.15	A0-5152000
4	3120370	(TH430-SB-INS)	Nut (Brass)	\$12.87	A0-7821000
5	3120020	(TH430-HNDL)	T-Handle (Stainless Steel)	\$18.54	A0-4581000
6	3120250	(TH430HDL-WSH)	T-Handle Washer (Brass)	\$2.13	A0-3120000
7	3120510	(TH430HDL-GSK)	T-Handle Washer Gasket (Neoprene)	\$1.31	A0-1310000



SPECIAL HANDLING MAY APPLY



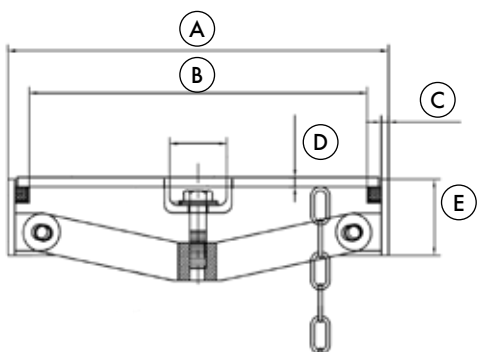
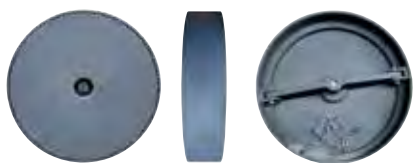
- Electronics
- Trolling Motors
- Instruments
- Electrical
- Lighting
- Anchor & Dock
- Safety
- Steering, Controls
- Pumps
- Fuel System
- Seating & Pedestals
- Trailer
- Tops & Covers
- Perform.
- Propellers
- Engine & Care
- Cleaning & Care
- Paint & Paint Acc.
- Fun & Flotation
- Topside Acc.
- Cockpit & Deck
- Hardware, Fasteners
- Camouflage
- Misc.
- Comm.

ICF Single Bolt Manholes

- Single bolt flush manholes provide an easy access enclosure with a standard single bolt operation.
- Features: 7/8" stainless steel bolt, brass washer and buna-n gasket.



ICF 20" Single Bolt Manholes



A	B	C	D	E
20"	17-3/4"	3/8"	1/2"	4"

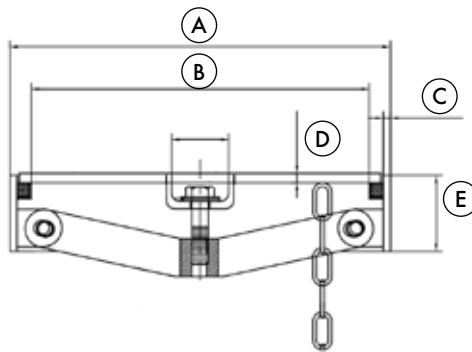
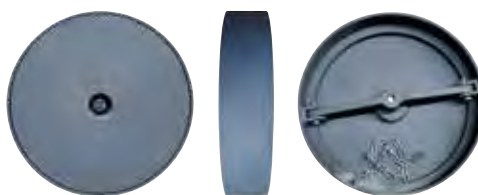
20" PAINTED STEEL

Order No.	Mfg. No.	Description	List Price	
3105900	(SB540-20A)	Single Bolt Manhole (82 lbs.)	\$237.29	A0-9273200

20" STAINLESS STEEL

Order No.	Mfg. No.	Description	List Price	
3109230	(SB540-20-SS)	Single Bolt Manhole	\$840.69	A0-9604800

ICF 22" Single Bolt Manholes



A	B	C	D	E
22"	19-3/4"	3/8"	1/2"	4"

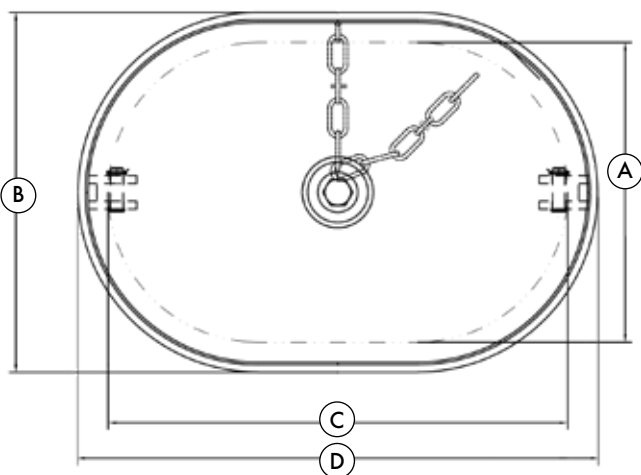
22" PAINTED STEEL

Order No.	Mfg. No.	Description	List Price	
3106030	(SB540-22A)	Single Bolt Manhole (95 lbs.)	\$243.71	A0-1734200

22" STAINLESS STEEL

Order No.	Mfg. No.	Description	List Price	
3109232	(SB540-22-SS)	Single Bolt Manhole	\$855.21	A0-1255800

ICF 15" x 23" Single Bolt Manhole

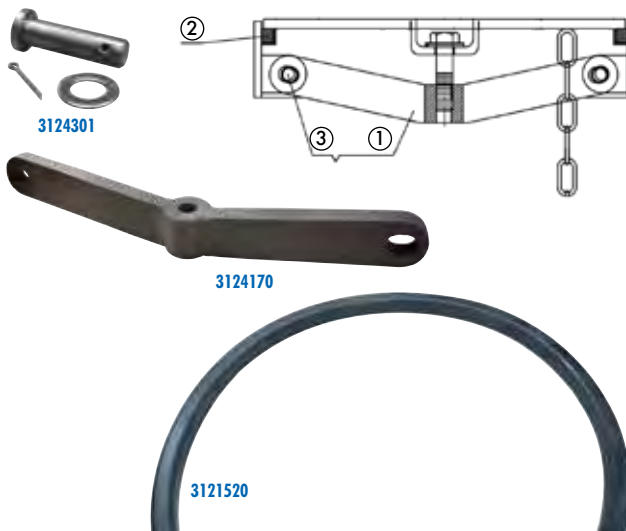


A	B	C	D
15"	18"	23"	26"

15" x 23" PAINTED STEEL

Order No.	Mfg. No.	Description	List Price	
3106040	(SB540-1523A)	Single Bolt Manhole	\$336.70	A0-0763300

ICF Accessories for Single Bolt Manholes



No.	Order No.	Mfg. No.	Description	List Price	
1	3124170	(SB540-SB20)	20" Strongback (Galv.)	\$12.91	A0-1921000
1	3124290	(SB540-SB22)	22" Strongback (Galv.)	\$14.47	A0-7441000
2	3121520	(SB540-ORNG20)	20" Hatch Gasket (Buna-N)	\$20.19	A0-9102000
2	3121640	(SB540-ORNG22)	22" Hatch Gasket (Buna-N)	\$22.01	A0-1022000
3	3124301	(DB-CLVS-SS)	Clevis Pin Assembly (S. S.)	\$4.94	A0-4940000

SPECIAL HANDLING MAY APPLY



- Electronics
- Trolling Motors
- Instruments
- Electrical
- Lighting
- Anchor & Dock
- Safety
- Steering, Controls
- Pumps
- Fuel System
- Seating & Pedestals
- Trailer
- Tops & Covers
- Perform.
- Propellers
- Engine & Care
- Cleaning & Care
- Paint & Paint Acc.
- Fun & Flotation
- Topside Acc.
- Cockpit & Deck
- Hardware, Fasteners
- Camouflage
- Misc.



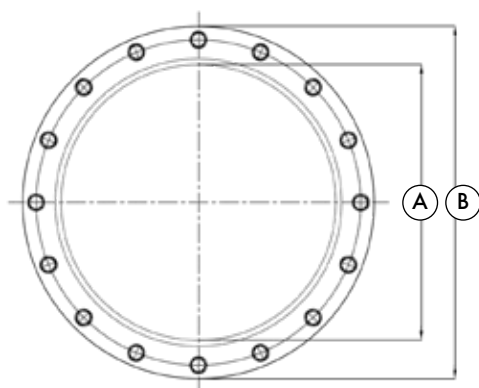
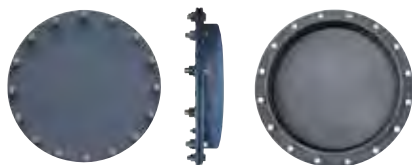
ICF Raised Multi-Bolt Manholes



- Multi-bolt manholes provide a watertight enclosure for access to water tanks, fuel tanks and ship modules.
- Features: Stainless steel nuts, brass washers, plated bolts and buna-n gasket.
- Premium bolt kits are available.



ICF 18" Raised Multi-Bolt Manholes



A	B	COAMING HEIGHT
18"	23"	2-1/2"

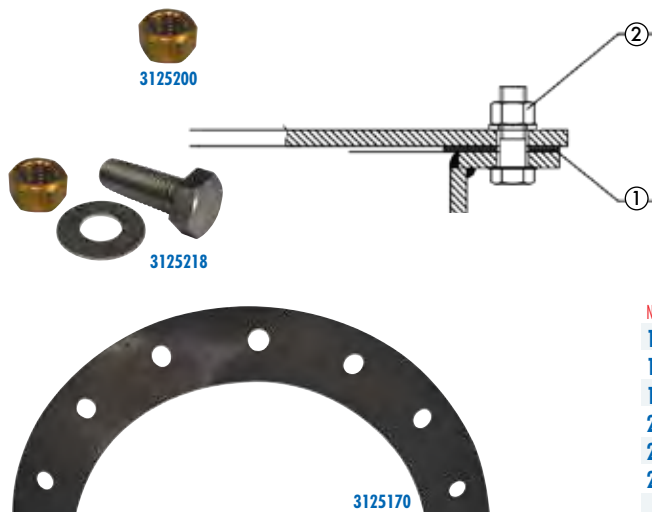
18" PAINTED STEEL

Order No.	Mfg. No.	Description	List Price	
3107160	(MB154-18R-A)	Manhole with Bolts (82 lbs.)	\$217.95	AO-5971200
3107181	(MB154-18R-X)	Manhole without Bolts	\$188.86	AO-6888100

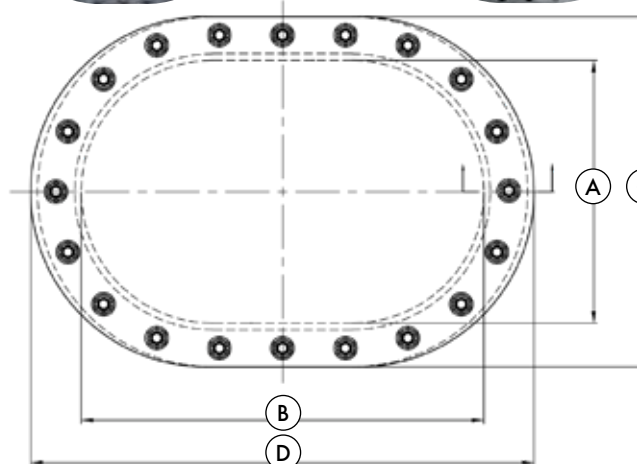
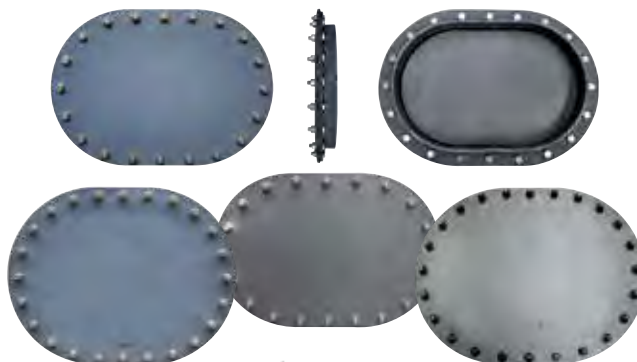
18" STAINLESS STEEL

Order No.	Mfg. No.	Description	List Price	
3109130	(SS154-18R-A)	Manhole with Bolts	\$623.28	AO-8232600

ICF Accessories for Raised Multi-Bolt Manhole



ICF 15" x 23" and 18" x 24" Raised Multi-Bolt Manholes



	A	B	C	D	COAMING HEIGHT
15" x 23"	15"	23"	20"	28-3/4"	2-1/2"
18" x 24"	18"	24"	23"	29-3/4"	2-1/2"

15" x 23" PAINTED STEEL

Order No.	Mfg. No.	Description	List Price	
3107300	(MB501-1523A)	Manhole with Bolts (91 lbs.)	\$269.35	AO-5396200
3107321	(MB501-1523X)	Manhole without Bolts	\$198.05	AO-5089100

15" x 23" STAINLESS STEEL

Order No.	Mfg. No.	Description	List Price	
3109100	(SS501-1523A)	Manhole with Bolts (104 lbs.)	\$697.70	AO-0779600

18" x 24" PAINTED STEEL

Order No.	Mfg. No.	Description	List Price	
3107340	(MB502-1824A)	Manhole with Bolts (106 lbs.)	\$314.25	AO-5241300
3107361	(MB502-1824X)	Manhole without Bolts	\$231.09	AO-9013200

18" x 24" STAINLESS STEEL

Order No.	Mfg. No.	Description	List Price	
3109120	(SS502-1824A)	Manhole with Bolts (109 lbs.)	\$765.90	AO-0956700

No.	Order No.	Mfg. No.	Description	List Price	
1	3125165	(MB-G18RD-RSD)	18" Hatch Gasket (Buna-N)	\$18.84	AO-4881000
1	3125170	(MB-G1523-RSD)	15" x 23" Hatch Gasket (Buna-N)	\$19.53	AO-3591000
1	3125175	(MB-G1824-RSD)	18" x 24" Hatch Gasket (Buna-N)	\$19.53	AO-3591000
2	3125218	(MB-BOLT-KT18)	18" Bolt Kit; Bolt, Washer and Nut	\$161.29	AO-9216100
2	3125220	(MB-BOLT-KT20)	15" x 23" Bolt Kit; Bolt, Washer & Nut	\$201.29	AO-9210200
2	3125224	(MB-BOLT-KT24)	18" x 24" Bolt Kit; Bolt, Washer & Nut	\$242.09	AO-9024200
	3125200	(2421)	Hex Nut (Bronze)	\$6.59	AO-9560000

- Electronics
- Trolling Motors
- Instruments
- Electrical
- Lighting
- Anchor & Dock
- Safety
- Steering, Controls
- Pumps
- Fuel System
- Seating & Pedestals
- Trailer
- Tops & Covers
- Perform.
- Propellers
- Engine & Care
- Cleaning & Care
- Paint & Paint Acc.
- Fun & Flotation
- Topside Acc.
- Cockpit & Deck
- Hardware, Fasteners
- Camouflage
- Misc.

SPECIAL HANDLING MAY APPLY



Comm.

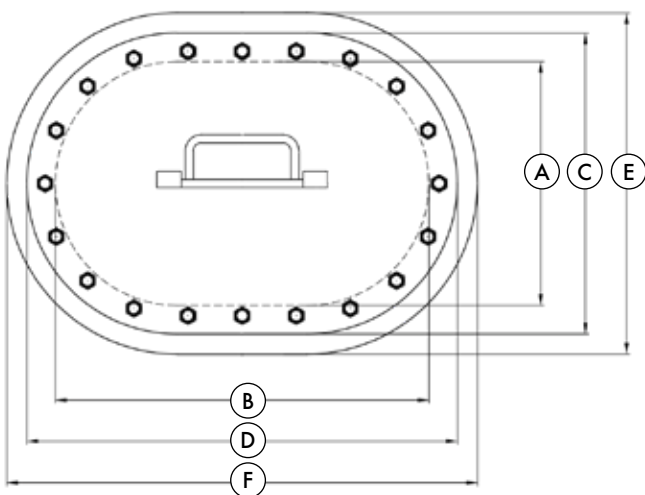
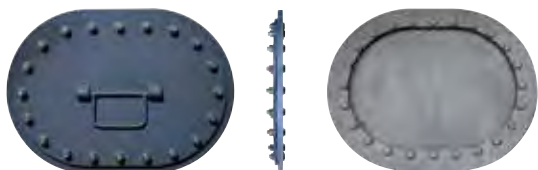
ICF Semi-Flush Multi-Bolt Manholes



- Multi-bolt manholes provide a watertight enclosure for access to water tanks, fuel tanks and ship modules.
- Features: Buna-n gasket.



ICF 15" x 23" and 18" x 24" Semi-Flush Multi-Bolt Manholes



	A	B	C	D	E	F
15" x 23"	15"	23"	18-1/2"	26-1/2"	21"	29"
18" x 24"	18"	24"	21-1/2"	27-1/2"	24"	30"

15" x 23" PAINTED STEEL

Order No.	Mfg. No.	Description	List Price	
3106530	(MB503-1523A)	Multi-Bolt Manhole (95 lbs.)	\$307.85	A0-5870300

18" x 24" PAINTED STEEL

Order No.	Mfg. No.	Description	List Price	
3106650	(MB504-1824A)	Multi-Bolt Manhole (113 lbs.)	\$349.53	A0-3594300

ICF Accessories for Semi-Flush Multi-Bolt Manhole



Order No.	Mfg. No. / Description	List Price	
3125155	(MB-G1523-STD) 15" x 23" Hatch Gasket (Buna-N)	\$19.53	A0-3591000
3125160	(MB-G1824-STD) 18" x 24" Hatch Gasket (Buna-N)	\$19.53	A0-3591000
3125250	(MB-503-HNDL) Handle Assembly	\$10.70	A0-0701000

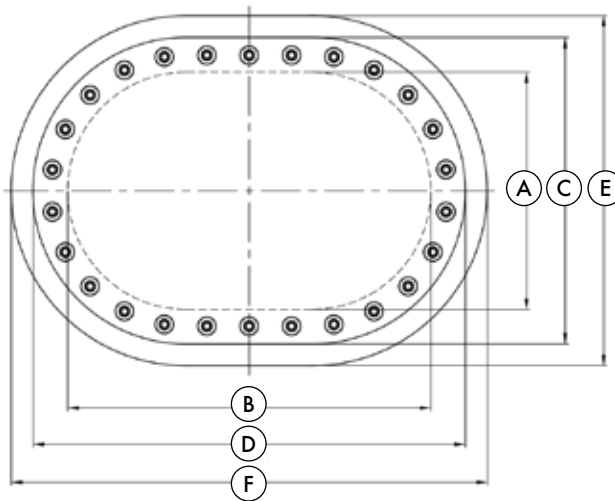
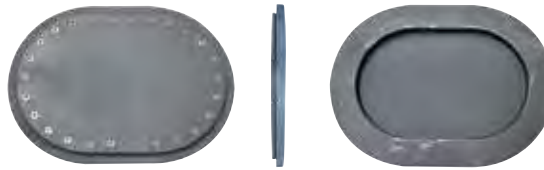
ICF Flush Multi-Bolt Manholes



- Multi-bolt manholes provide a watertight enclosure for access to water tanks, fuel tanks and ship modules.
- Features: Buna-n gasket and stainless flush hardware.



ICF 15" x 23" Flush Multi-Bolt Manholes



	A	B	C	D	E	F
15" x 23"	15"	23"	19-3/8"	27-3/8"	22-1/8"	30-1/8"

15" x 23" PAINTED STEEL

Order No.	Mfg. No.	Description	List Price	
3106251	(MB505X-1523X)	3/8" Cover (98 lbs.)	\$327.09	A0-9072300
3106270	(MB505-1523A)	1/2" Cover (154 lbs.)	\$426.50	A0-0562400

ICF Hatch Gasket for Flush Multi-Bolt Manhole



- 15" x 23" hatch gasket (Buna-N).

Order No.	Mfg. No. / Description	List Price	
3125150	(MB-G1523FLSH)	\$19.53	A0-3591000

SPECIAL HANDLING MAY APPLY



- Electronics
- Trolling Motors
- Instruments
- Electrical
- Lighting
- Anchor & Dock
- Safety
- Steering, Controls
- Pumps
- Fuel System
- Seating & Pedestals
- Trailering
- Tops & Covers
- Perform.
- Propellers
- Engine & Care
- Cleaning & Care
- Paint & Paint Acc.
- Fun & Flotation
- Topside Acc.
- Cockpit & Deck
- Hardware, Fasteners
- Camouflage
- Misc.
- Comm.

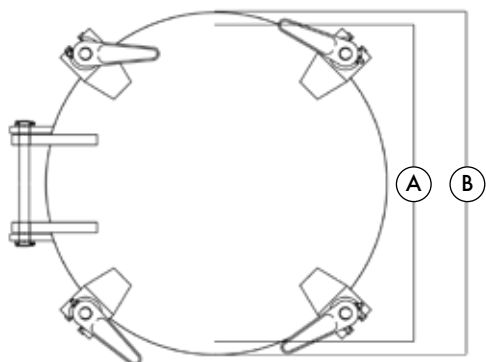
ICF Dog Bolt Hatches



- Raised watertight hatch with drop bolts provide a strong multi-point sealing enclosure utilizing single dog style handles and drop bolts.
- Features: Standard 5" coaming height and buna-n gasket.
- Painted steel drop bolt hatches include galvanized dog handles with grease fittings.



ICF 19" 4-Dog Bolt Hatches



19" PAINTED STEEL

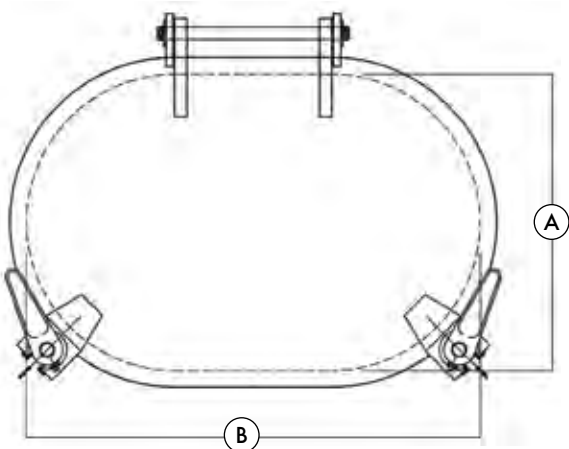
Order No.	Mfg. No.	Description	List Price
3108550	(DB343-19R-A)	4-Dog Bolt Hatch (100 lbs.)	\$306.16

19" STAINLESS STEEL

Order No.	Mfg. No.	Description	List Price
3109320	(SS343-19R-A)	4-Dog Bolt Hatch (91 lbs.)	\$694.59

	A	B	COAMING HEIGHT
19" Hatch	19"	21"	5"

ICF 15" x 23" 2-Dog Bolt Hatches



	A	B	COAMING HEIGHT
15" x 23"	15"	23"	5"

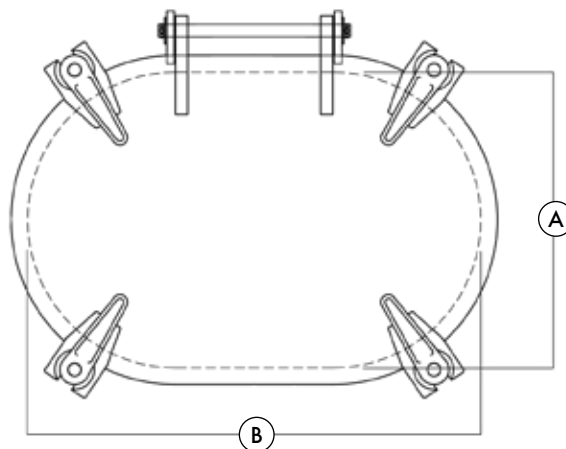
15" x 23" PAINTED STEEL

Order No.	Mfg. No.	Description	List Price
3108900	(DB274-1523A)	2-Dog Bolt Hatch (87 lbs.)	\$270.97

15" x 23" PAINTED STEEL WITH STAINLESS STEEL HARDWARE

Order No.	Mfg. No.	Description	List Price
3108905	(DB774-5-1523A)	2-Dog Bolt Hatch (90 lbs.)	\$252.00

ICF 15" x 23" 4-Dog Bolt Hatches



	A	B	COAMING HEIGHT
15" x 23"	15"	23"	5"

15" x 23" PAINTED STEEL

Order No.	Mfg. No.	Description	List Price
3108930	(DB174-1523A)	4-Dog Bolt Hatch (96 lbs.)	\$295.00

15" x 23" STAINLESS STEEL

Order No.	Mfg. No.	Description	List Price
3109440	(SS174-1523A)	4-Dog Bolt Hatch (93 lbs.)	\$706.99

- Electronics
- Trolling Motors
- Instruments
- Electrical
- Lighting
- Anchor & Dock
- Safety
- Steering, Controls
- Pumps
- Fuel System
- Seating & Pedestals
- Trailer
- Tops & Covers
- Perform.
- Propellers
- Engine & Care
- Cleaning & Care
- Paint & Paint Acc.
- Fun & Flotation
- Topside Acc.
- Cockpit & Deck
- Hardware, Fasteners
- Camouflage
- Misc.
- Comm.



SPECIAL HANDLING MAY APPLY



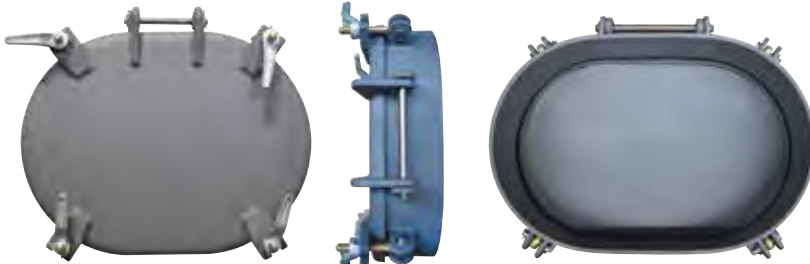
ICF Dog Bolt Hatches



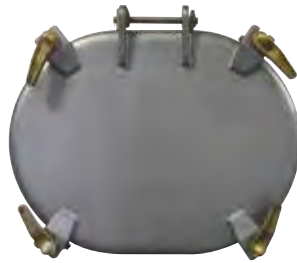
- Raised watertight hatch with drop bolts provide a strong multi-point sealing enclosure utilizing single dog style handles and drop bolts.
- Features: Standard 5" coaming height and buna-n gasket.
- Painted steel drop bolt hatches include galvanized dog handles with grease fittings.



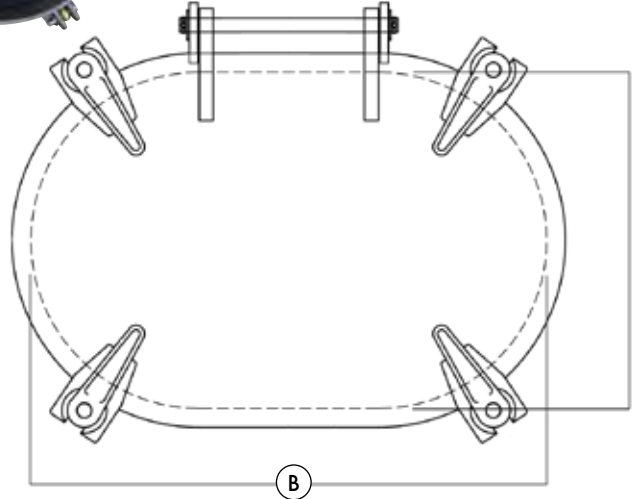
ICF 18" x 24" 4-Dog Bolt Hatch



3109060



3109560



18" x 24" PAINTED STEEL

Order No.	Mfg. No.	Description	List Price	
3109060	(DB464-1824A)	4-Dog Bolt Hatch (96 lbs.)	\$320.67	A0-7602300

18" x 24" STAINLESS STEEL

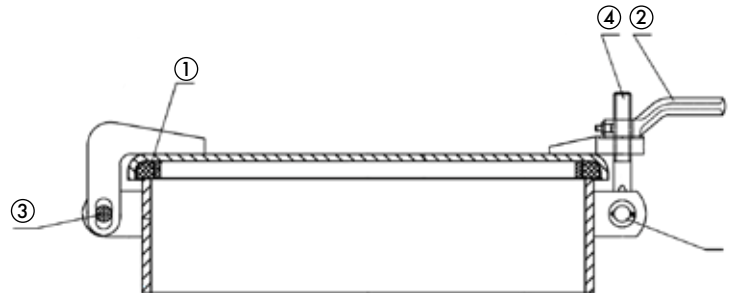
Order No.	Mfg. No.	Description	List Price	
3109560	(SS464-1824A)	4-Dog Bolt Hatch (93 lbs.)	\$772.11	A0-1127700

	A	B	COAMING HEIGHT
18" x 24"	18-1/4"	24-1/4"	5"

ICF Accessories for Dog Bolt Hatches



3121400



3124301

3122030

3122270

3122431

No.	Order No.	Mfg. No. / Description	List Price	
1	3121400	(DB-ORNG-0020) 19" Hatch Gasket (Buna-N)	\$16.15	A0-5161000
1	3122029	(DB-ORNG-1523) 15" x 23" Hatch Gasket (Buna-N)	\$16.15	A0-5161000
1	3122050	(DB-ORNG-1824) 18" x 24" Hatch Gasket (Buna-N)	\$17.26	A0-6271000
2	3122270	(DB-HNDL-BRZ) Dog Handle without Zerk (Bronze)	\$19.06	A0-6091000
2	3122291	(DB-HNDL-ZBRZ) Dog Handle with Zerk (Bronze)	\$21.64	A0-4612000
2	3122311	(DB-HNDL-ZGLV) Dog Handle with Zerk (Galvanized)	\$7.36	A0-6370000
2	3122295	(DB-HNDL-ZSS) Dog Handle with Zerk (Stainless Steel)	\$19.07	A0-7091000
3	3122431	(DB-HNGE-SS) Hinge Pin (Stainless Steel)	\$6.26	A0-6260000
4	3122030	(DB-TMBL-BRZ) Tumble Bolt (Bronze)	\$18.35	A0-5381000
4	3122031	(DB-TMBL-SS) Tumble Bolt (Stainless Steel)	\$13.95	A0-5931000
5	3124301	(DB-CLVS-SS) Clevis Pin Assembly (Stainless Steel)	\$4.94	A0-4940000

SPECIAL HANDLING MAY APPLY



- Electronics
- Trolling Motors
- Instruments
- Electrical
- Lighting
- Anchor & Dock
- Safety
- Steering, Controls
- Pumps
- Fuel System
- Seating & Pedestals
- Trailering
- Tops & Covers
- Perform.
- Propellers
- Engine & Care
- Cleaning & Care
- Paint & Paint Acc.
- Fun & Flotation
- Topside Acc.
- Cockpit & Deck
- Hardware, Fasteners
- Camouflage
- Misc.



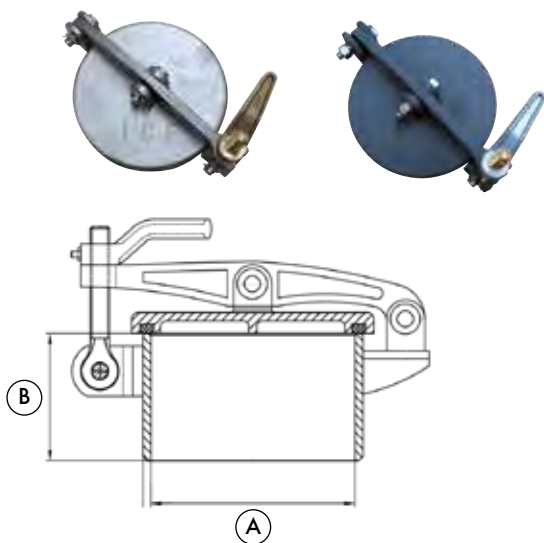


ICF Ullage Hatches

- Ullage Hatches provide easy access to tanks for inspection and measuring of cargo.
- Available in 8" and 10" diameter clear opening, with various coaming heights and hardware options to meet your needs.
- Features: Buna-n gasket. Painted steel ullage hatches include galvanized dog handles with grease fittings.



ICF 8" Ullage Hatches



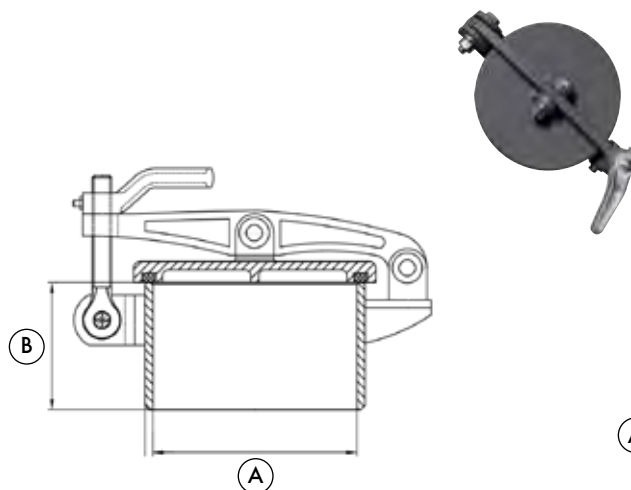
8" PAINTED STEEL

Order No.	Mfg. No.	Diameter	Coaming	List Price	
3108510	(DB144-08A)	(A): 8"	(B):	\$121.85	A0-5812100
3108520	(DB144-08-05A)	(A): 8"	(B): 5"	\$150.70	A0-0705100

8" STAINLESS STEEL

Order No.	Mfg. No.	Diameter	Coaming	List Price	
3109150	(SS144-08A)	(A): 8"	(B):	\$300.77	A0-7700300
3109160	(SS144-08-05A)	(A): 8"	(B): 5"	\$376.76	A0-6767300
3109180	(SS144-08-12A)	(A): 8"	(B): 12"	\$480.63	A0-3608400

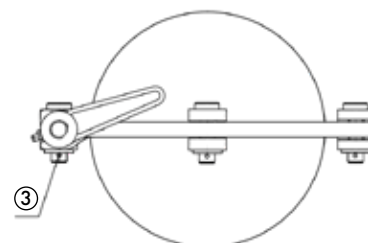
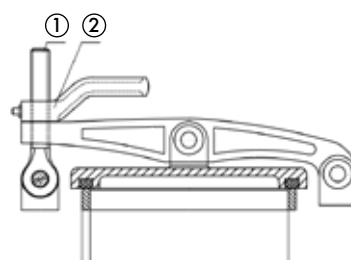
ICF 10" Ullage Hatch



10" PAINTED STEEL

Order No.	Mfg. No.	Diameter	Coaming	List Price	
3108530	(DB569-10-05A)	(A): 10"	(B): 5"	\$182.78	A0-8728100

ICF Accessories for Ullage Hatches



No.	Order No.	Mfg. No. / Description	List Price	
1	3122030	(DB-TMBL-BRZ) Tumble Bolt (Bronze)	\$18.35	A0-5381000
1	3122031	(DB-TMBL-SS) Tumble Bolt (Stainless Steel)	\$13.95	A0-5931000
2	3122270	(DB-HNDL-BRZ) Dog Handle without Zerk (Bronze)	\$19.06	A0-6091000
2	3122291	(DB-HNDL-ZBRZ) Dog Handle with Zerk (Bronze)	\$21.64	A0-4612000
2	3122311	(DB-HNDL-ZGLV) Dog Handle with Zerk (Galvanized)	\$7.36	A0-6370000
2	3122295	(DB-HNDL-ZSS) Dog Handle with Zerk (Stainless Steel)	\$19.07	A0-7091000
3	3124301	(DB-CLVS-SS) Clevis Pin Assembly (Stainless Steel)	\$4.94	A0-4940000

- Electronics
- Trolling Motors
- Instruments
- Electrical
- Lighting
- Anchor & Dock
- Safety
- Steering, Controls
- Pumps
- Fuel System
- Seating & Pedestals
- Trailer
- Tops & Covers
- Perform.
- Propellers
- Engine & Care
- Cleaning & Care
- Paint & Paint Acc.
- Fun & Flotation
- Topside Acc.
- Cockpit & Deck
- Hardware, Fasteners
- Camouflage
- Misc.

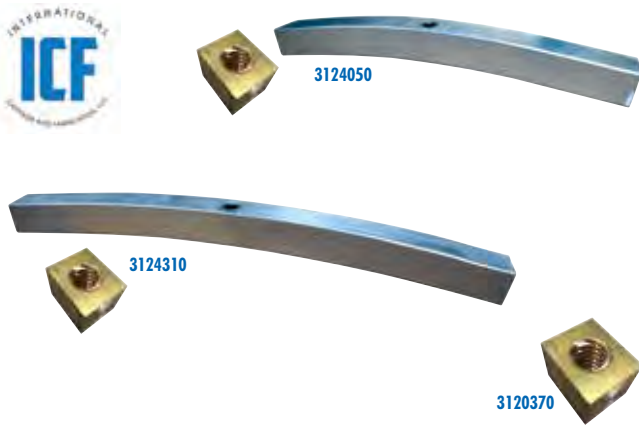


SPECIAL HANDLING MAY APPLY



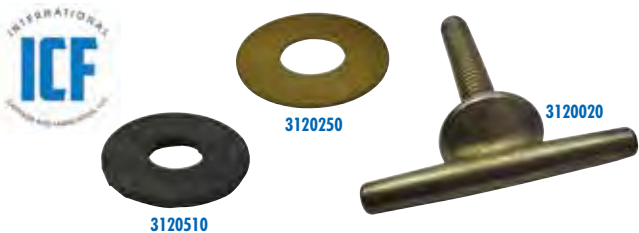
ICF Manhole and Hatch Accessories

ICF Strongback with Nut for T-Handle Manholes



Order No.	Mfg. No. / Description	List Price	
3124050	(TH430-SBA18) 18" Strongback with Nut	\$23.90	A0-0932000
3124310	(TH430-SBA24) 24" Strongback with Nut	\$25.15	A0-5152000
3120370	(TH430-SB-INS) Nut - Brass	\$12.87	A0-7821000

ICF T-Handle for T-Handle Manholes



Order No.	Mfg. No. / Description	List Price	
3120020	(TH430-HNDL) T-Handle - Stainless Steel	\$18.54	A0-4581000
3120250	(TH430HDL-WSH) T-Handle Washer - Brass	\$2.13	A0-3120000
3120510	(TH430HDL-GSK) T-Handle Washer Gasket	\$1.31	A0-1310000

ICF Handle Assembly for Semi-Flush Multi-Bolt Manholes



Order No.	Mfg. No. / Description	List Price	
3125250	(MB-503-HNDL)	\$10.70	A0-0701000

ICF Clevis Pin Assembly - Stainless Steel



Order No.	Mfg. No. / Description	List Price	
3124301	(DB-CLVS-SS)	\$4.94	A0-4940000

ICF Stainless Steel Bolt



Order No.	Mfg. No. / Description	List Price	
730261	(159) 5/8-11 x 1.75	\$1.99	G0-3310000

LIMITED QUANTITIES

ICF Deck Ring for T-Handle Manholes - Galvanized



• 18" deck ring - galvanized.

Order No.	Mfg. No. / Description	List Price	
3105410	(TH430-DR-GL)	\$109.03	A0-3090100

ICF Strongback for Single Bolt Manholes



• Galvanized.

Order No.	Mfg. No. / Description	List Price	
3124170	(SB540-SB20) 20"	\$12.91	A0-1921000
3124290	(SB540-SB22) 22"	\$14.47	A0-7441000

ICF Bolt Kit for Raised Multi-Bolt Manholes



• Includes: Bolt, washer and nut.

Order No.	Mfg. No. / Description	List Price	
3125218	(MB-BOLT-KT18) For 18" Manhole	\$161.29	A0-9216100
3125220	(MB-BOLT-KT20) For 15" x 23" Manhole	\$201.29	A0-9210200
3125224	(MB-BOLT-KT24) For 18" x 24" Manhole	\$242.09	A0-9024200

ICF Hatch Gaskets



Order No.	Mfg. No. / Description	List Price	
3121020	(TH430-ORNG18) For 18" T-Handle Manhole	\$9.55	A0-5590000
3121140	(TH430-ORNG24) For 24" T-Handle Manhole	\$11.01	A0-1011000
3121520	(SB540-ORNG20) For 20" Single Bolt Manhole	\$20.19	A0-9102000
3121640	(SB540-ORNG22) For 22" Single Bolt Manhole	\$22.01	A0-1022000
3125165	(MB-G18RD-RSD) For 18" Raised Multi-Bolt Manhole	\$18.84	A0-4881000
3125170	(MB-G1523-RSD) For 15" x 23" Raised Multi-Bolt Manhole	\$19.53	A0-3591000
3125175	(MB-G1824-RSD) For 18" x 24" Raised Multi-Bolt Manhole	\$19.53	A0-3591000
3125155	(MB-G1523-STD) For 15" x 23" Semi-Flush Multi-Bolt Manhole	\$19.53	A0-3591000
3125160	(MB-G1824-STD) For 18" x 24" Semi-Flush Multi-Bolt Manhole	\$19.53	A0-3591000
3125150	(MB-G1523-FLSH) For 15" x 23" Flush Multi-Bolt Manhole	\$19.53	A0-3591000
3121400	(DB-ORNG-0020) For 19" Dog Bolt Hatch	\$16.15	A0-5161000
3122029	(DB-ORNG-1523) For 15" x 23" Dog Bolt Hatch	\$16.15	A0-5161000
3122050	(DB-ORNG-1824) For 18" x 24" Dog Bolt Hatch	\$17.26	A0-6271000

- Electronics
- Trolling Motors
- Instruments
- Electrical
- Lighting
- Anchor & Dock
- Safety
- Steering, Controls
- Pumps
- Fuel System
- Seating & Pedestals
- Trailering
- Tops & Covers
- Perform.
- Propellers
- Engine & Care
- Cleaning & Care
- Paint & Paint Acc.
- Fun & Flotation
- Topside Acc.
- Cockpit & Deck
- Hardware, Fasteners
- Camouflage
- Misc.

ICF Manhole and Hatch Accessories

ICF Hinge Pin - Stainless Steel



Order No.	Mfg. No. / Description	List Price	
3122431	(DB-HNGE-SS)	\$6.26	A0-6260000

ICF Wing Nuts - Bronze



Order No.	Mfg. No. / Description	Length	List Price	
3122410	(DB-WNUT-BRZ) 3/4"	8-3/4"	\$33.03	A0-3033000
3123540	(WNUT-BRZ-1/2) 1/2"		\$12.48	A0-8421000

ICF Tumble Bolts



Order No.	Mfg. No. / Description	List Price	
3122030	(DB-TMBL-BRZ) Bronze	\$18.35	A0-5381000
3122031	(DB-TMBL-SS) Stainless Steel	\$13.95	A0-5931000
3123420	(TMBL-BRZ-1/2) Bronze - 1/2"	\$13.21	A0-1231000

ICF Dog Handles



Order No.	Mfg. No. / Description	List Price	
3122270	(DB-HNDL-BRZ) Without Zerk Bronze	\$19.06	A0-6091000
3122291	(DB-HNDL-ZBRZ) With Zerk Bronze	\$21.64	A0-4612000
3122295	(DB-HNDL-ZSS) With Zerk Stainless Steel	\$19.07	A0-7091000
3122311	(DB-HNDL-ZGLV) With Zerk Galvanized	\$7.36	A0-6370000

Bomar Flush Non-Hinged Watertight Hatch - Commercial Grade Series



- Cast Almag-35.
- Stainless steel t-handle.
- Inside/outside opening standard.
- Complete with weld-in rings.



LIMITED QUANTITIES

Order No.	Model #	Description	Opening	Cut Out	OD of Deck Flange	Extends Below Deck	Weight	List Price	
259728	(C424-SR)	Round with Aluminum Ring	24"	27"	30-1/2"	7-1/4"	40 lbs.	\$1,398.99	CO-4198110

- Electronics
- Trolling Motors
- Instruments
- Electrical
- Lighting
- Anchor & Dock
- Safety
- Steering, Controls
- Pumps
- Fuel System
- Seating & Pedestals
- Trailering
- Tops & Covers
- Perform.
- Propellers
- Engine & Care
- Cleaning & Care
- Paint & Paint Acc.
- Fun & Flotation
- Topside Acc.
- Cockpit & Deck
- Hardware, Fasteners
- Camouflage
- Misc.



SPECIAL HANDLING MAY APPLY



Baier Flush T-Handle Strongback Aluminum Hatches



243484

- This popular strongback hatch design series adds the convenience of a built-in recessed stainless steel T-Handle to the flush-mounted, quick release, lift-out hatch.
- Stainless steel centerbolt and hardware.
- Built-in stainless steel T-Handle used for quick engagement as well as lifting.
- Cast strongback.
- Neoprene cover gasket and washers.
- It only has three moving parts to secure the hatch cover to the deck.
- Every unit shipped with an underside escape turning bar for safety.
- Turning wheel optional.
- The deck ring is available in galvanized mild steel (for welding into steel decks) or cast aluminum (for welding into aluminum decks or bolting to fiberglass or wood decks).

20" ROUND ALUMINUM HATCHES

- Clear opening: 20", cover diameter: 22".

Order No.	Mfg. No. / Description	List Price	
243434	(BFHRT20 A/A) Cast Aluminum Deck Ring	\$936.41	CO-5959700
243446	(BFHRT20 A/S) Galvanized Steel Deck Ring	\$936.41	CO-5959700

15" x 24" OVAL ALUMINUM HATCHES

- Clear opening: 15" x 24", cover dimensions: 17" x 26".

Order No.	Mfg. No. / Description	List Price	
243410	(BFHOTH15X24) Cast Aluminum Deck Ring	\$936.41	CO-5959700
243422	(BFHOTH15X24) Galvanized Steel Deck Ring	\$936.49	CO-2069700

HATCH COVER GASKET

Order No.	Mfg. No. / Description	List Price	
243484	(15X24GASBUNA 08861-702A)	\$67.14	CO-7075000

Baier Flush T-Handle Quick-Acting 4-Dog Aluminum Hatches



243484

- These lightweight, quick-acting 4-dog models are ideal for high-traffic closures where speed and ease are paramount, and/or where positive engagement must be visually verificate at a glance.
- Built-in "Never lose" handle.
- Adjustable Dog Tensioners that provide equal tension on all points, ensure a water-tight seal.
- Thicker Dog Arms for superior strength.
- Inside escape bar on all units. Turning wheel optional.
- Multi-Dog "Cam-Lock" positive engagement locking system.
- Stainless steel T-handle and operating hardware.
- The deck ring is available in galvanized mild steel (for welding into steel decks) or cast aluminum (for welding into aluminum decks or bolting to fiberglass or wood decks).

20" ROUND ALUMINUM HATCHES

- Clear opening: 20", cover diameter: 22".

Order No.	Mfg. No. / Description	List Price	
243488	(BFHQTH20A/S) Galvanized Steel Deck Ring	\$901.35	CO-5166700
243493	(BFHQTH20A/A) Cast Aluminum Deck Ring	\$901.35	CO-5166700

15" x 24" OVAL ALUMINUM HATCHES

- Clear opening: 15" x 24", cover dimensions: 17" x 26".

Order No.	Mfg. No. / Description	List Price	
243496	(BFHQTH15X24A) Galvanized Steel Deck Ring	\$901.39	CO-8166700
243498	(BFHQTH1524AA) Cast Aluminum Deck Ring	\$901.35	CO-5166700

HATCH COVER GASKET

Order No.	Mfg. No. / Description	List Price	
243484	(15X24GASBUNA 08861-702A)	\$67.14	CO-7075000

Baier Flush T-Handle Strongback Hinged Aluminum Hatch



243484

- This popular strongback hinged hatch design series adds the convenience of a built-in recessed stainless steel T-Handle to the flush-mounted, quick release, hinged hatch.
- Stainless steel centerbolt and hardware.
- Built-in stainless steel T-Handle used for quick engagement as well as lifting.
- Cast strongback.
- Neoprene cover gasket and washers.
- It only has three moving parts to secure the hatch cover to the deck.
- Every unit shipped with an underside escape turning bar for safety.
- Turning wheel optional.
- The deck ring is available in galvanized mild steel (for welding into steel decks), or cast aluminum (for welding into aluminum decks or bolting to fiberglass or wood decks).
- Clear opening: 15" x 24", cover dimensions: 17" x 26".

Order No.	Mfg. No. / Description	List Price	
243460	(BFHHOTH15X24) Galvanized Steel Deck Ring	\$997.21	CO-3674800
243484	(15X24GASBUNA 08861-702A) Hatch Cover Gasket	\$67.14	CO-7075000

SPECIAL HANDLING MAY APPLY



- Electronics
- Trolling Motors
- Instruments
- Electrical
- Lighting
- Anchor & Dock
- Safety
- Steering, Controls
- Pumps
- Fuel System
- Seating & Pedestals
- Trailering
- Tops & Covers
- Perform.
- Propellers
- Engine & Care
- Cleaning & Care
- Paint & Paint Acc.
- Fun & Flotation
- Topside Acc.
- Cockpit & Deck
- Hardware, Fasteners
- Camouflage
- Misc.
- Comm.

Baier Flush T-Handle Quick Acting 4-Dog Hidden Hinge Aluminum Hatch



- The new Baier Hidden-Hinge, fully-articulated commercial marine flush deck hatch assembly for workboats adds the convenience of a built-in recessed stainless steel T-Handle to the flush-mounted, quick release, lift-out hatch.
- Opens to 180 degrees-plus.
- Stainless hardware, delrin slides.
- Thicker Dog Arms for superior strength.
- Over-center auto stop holds cover securely open at 120 degrees.
- Auto stop releases quickly with a push-lever.
- Inside escape bar on all units. Turning wheel optional.
- Clear opening: 15" x 24", cover dimensions: 17" x 26".
- Cast aluminum deck ring.

Order No.	Mfg. No. / Description	List Price	
243499	(BFHHQTH15X24)	\$1,123.91	CO-2355900

Baier Flush T-Handle Quick-Acting 4-Dog Hidden Hinge Aluminum Hatch



- The new Baier Hidden-Hinge, fully-articulated commercial marine flush deck hatch assembly for workboats adds the convenience of a built-in recessed stainless steel T-Handle to the flush-mounted, quick release, lift-out hatch.
- Opens to 180 degrees-plus.
- Stainless hardware, delrin slides.
- Thicker Dog Arms for superior strength.
- Over-center auto stop holds cover securely open at 120 degrees.
- Auto stop releases quickly with a push-lever.
- Inside escape bar on all units. Turning wheel optional.
- Clear opening: 24" x 24", cover dimensions: 26" x 26".
- Cast aluminum deck ring.

Order No.	Mfg. No. / Description	List Price	
243466	(BFHHQTH24X24)	\$1,700.49	CO-2454410
243486	(08864-706A) Hatch Cover Gasket	\$110.82	CO-0249000

Baier Flush T-Handle Quick-Acting 4-Dog Aluminum Hatch



- This lightweight, quick-acting 4-dog model is ideal for high-traffic closures where speed and ease are paramount, and/or where positive engagement must be visually verificate at a glance.
- Built-in "Never lose" handle.
- Adjustable Dog Tensioners that provide equal tension on all points, ensure a water-tight seal.
- Thicker Dog Arms for superior strength.
- Inside escape bar on all units. Turning wheel optional.
- Multi-Dog "Cam-Lock" positive engagement locking system.
- Stainless steel T-handle and operating hardware.
- Clear opening: 24" x 24", cover dimensions: 26" x 26".
- Cast aluminum deck ring.

Order No.	Mfg. No. / Description	List Price	
243465	(BFHHQTH24X24A)	\$1,478.46	CO-9665210
243486	(08864-706A) Hatch Cover Gasket	\$110.82	CO-0249000

Stainless Steel Ullage Style Round Hatches



- The Ullage hatch is a strong and secure method of enclosing a tank compartment while still providing easy single bolt operation for inspection or measuring of cargo.
- All stainless steel construction.
- Hinged.
- Brass Drop Bolt.
- Watertight.
- Stainless steel.

Order No.	Mfg. No.	Clear Opening	Coaming Height	List Price	
3109160	(SS144-08-05A)	8"	5"	\$376.76	A0-6767300
3109180	(SS144-08-12A)	8"	12"	\$480.63	A0-3608400

FLAME SCREENS

Order No.	Mfg. No. / Description	List Price	
303216	(01242-203A) Diameter 7-3/4"	\$42.89	CO-6463000
303278	(01243-202A) Diameter 11"	\$49.29	CO-0914000

Multi-Dog Style Raised, Watertight Oval Hatches



- Stainless steel.
- Clear opening: 15" x 23".
- Raised watertight hatches are strong and secure enclosures designed to be easily accessed when needed.
- They are universally used on all types of commercial vessels from tank barges, hopper barges, box barges and push-boats to OSVs and larger commercial vessels.

Order No.	Mfg. No. / Description	List Price	
3109440	(SS174-1523A)	\$706.99	A0-9960700



SPECIAL HANDLING MAY APPLY



- Electronics
- Trolling Motors
- Instruments
- Electrical
- Lighting
- Anchor & Dock
- Safety
- Steering, Controls
- Pumps
- Fuel System
- Seating & Pedestals
- Trailering
- Tops & Covers
- Perform.
- Propellers
- Engine & Care
- Cleaning & Care
- Paint & Paint Acc.
- Fun & Flotation
- Topside Acc.
- Cockpit & Deck
- Hardware, Fasteners
- Camouflage
- Misc.
- Comm.

CUSTOM FABRICATION

MARINE, OIL FIELD & INDUSTRIAL



- Electronics ■
- Trolling Motors ■
- Instruments ■
- Electrical ■
- Lighting ■
- Anchor & Dock ■
- Safety ■
- Steering, Controls ■
- Pumps ■
- Fuel System ■
- Seating & Pedestals ■
- Trailer ■
- Tops & Covers ■
- Perform. ■
- Propellers ■
- Engine & Care ■
- Cleaning & Care ■
- Paint & Paint Acc. ■
- Fun & Flotation ■
- Topside Acc. ■
- Cockpit & Deck ■
- Hardware, Fasteners ■
- Camouflage ■
- Misc. ■

AFCO

Adams Fabrication Co.

Marine, oil field and Industrial fabrication from design to production.



INDUSTRIES & PRODUCT SCOPE

- Offshore Service & Supply Vessels
- Commercial Fishing Vessels
- Government Vessels
- Tug & Push Boats
- Watertight or Gastight Structural Closures
- Material Handling Boxes, Baskets & Carriers
- Structural Ladders & Stairs
- Storage & Transport Tanks

SERVICES

DRAFTING & DESIGN

- Experienced design team capable of transforming drawings or basic ideas to refined finished products
- Design, draft & provide drawings for ABS submittal

WELDING

- Flux core, short arc, stick & aluminum pulse
- AWS certified welders
- Carbon steel, stainless steel & aluminum

SAND BLASTING

- Industrial sandblasting & painting

(985) 532-2323

info@afab-usa.com

CUSTOM PRODUCTS

WATERTIGHT DOORS

Built to customer specifications from steel, stainless steel & aluminum.

Options include:

- Standard dog doors
- Quick acting dogs
- Windows
- Brass & Aluminum lights
- Hydrostatic pressure specifications



WATERTIGHT MANHOLES

Heavy duty manholes available in a wide range of styles to meet customer specifications.

- Steel & Stainless steel
- Flush or raised
- Single or multi-bolt



WATERTIGHT HATCHES

Watertight hatches for multiple uses & locations. Constructed to customer specifications.

- Personnel Hatches
- Utility Hatches
- Moon Pool Hatches
- Cargo Hatches
- Bolted Access Plates

Options include:

- Standard dog
- Quick acting dogs
- Multi-bolt
- Spring assisted
- Positive hold-open devices
- Flush mounting



HOSE & REEL PRODUCTS

Custom hose & reel products for numerous applications to meet Nav-sea spec & shock testing.



LOUVERS

Ventilation Louvers for air intake & exhaust built to customer specifications.



EXPANSION DOMES



PILOT HOUSES



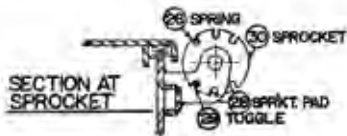
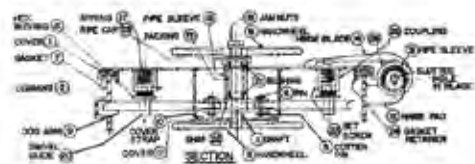
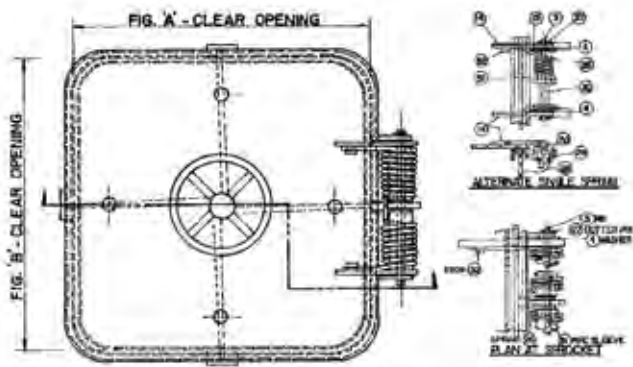
Adams Fabrication Co.

(985) 532-2323

info@afab-usa.com

- Electronics
- Trolling Motors
- Instruments
- Electrical
- Lighting
- Anchor & Dock
- Safety
- Steering, Controls
- Pumps
- Fuel System
- Seating & Pedestals
- Trailering
- Tops & Covers
- Perform.
- Propellers
- Engine & Care
- Cleaning & Care
- Paint & Paint Acc.
- Fun & Flotation
- Topside Acc.
- Cockpit & Deck
- Hardware, Fasteners
- Camouflage
- Misc.

Replacement Hinge and Spring Assembly for Centex #202



Order No.	Mfg. No. / Description	List Price
279352	(HR202) Replace Hinge & Spring Assembly	\$833.98 BO-8505700

Replacement Door Gaskets

• 100' Lengths Only.

Order No.	Description	List Price
427903	Size: 3/4" x 1"	\$9.99 BO-9980000
427941	Size: 3/4" x 1-1/4"	\$11.99 BO-9701000
427943	Size: 5/8" x 1-1/4"	\$3.99 BO-9530000

Diamond Sea Glaze Latch Bolt Spring

Order No.	Mfg. No. / Description	List Price
327610	(HWLS8900834)	\$13.98 BO-8521000

LIMITED QUANTITIES

Steel Handwheels for Steel Doors



Order No.	Description	List Price
313700	Clockwise 12"	\$79.89 CO-1976000
313748	Clockwise 15-1/2"	\$101.29 CO-0168000
313712	Counter Clockwise 12"	\$79.89 CO-1976000
313750	Counter Clockwise 15-1/2"	\$101.29 CO-0168000

Marpac Door Handle Assembly



Order No.	Description	List Price
5-0030	Aluminum Left Hand	\$54.79 CO-7564000
5-0031	Aluminum Right Hand	\$54.79 CO-7564000
5-0040	304 Stainless Steel Left Hand	\$131.49 CO-7711100
5-0041	304 Stainless Steel Right Hand	\$124.69 CO-9950100
5-0045	Galvanized Handle with 304 SS Shaft Left Hand	\$83.79 CO-2217000
5-0046	Galvanized Handle with 304 SS Shaft Right Hand	\$83.79 CO-2217000
5-0047	Galvanized Steel Left Hand	\$47.79 CO-2604000
5-0048	Galvanized Steel Right Hand	\$47.79 CO-2604000

Replacement Accessories

Order No.	Description	List Price
279340	Replacement Door Hinge Pin Kit	\$43.49 BO-4193000
279358	Replacement Shim for Watertight Door Dog	\$4.52 BO-7040000
279364	Replacement Nylon Door Dog Bushing	\$14.29 BO-6821000

SPECIAL HANDLING MAY APPLY



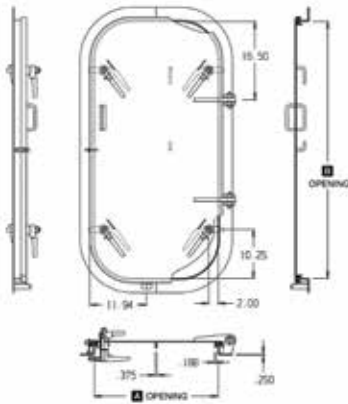
- Electronics
- Trolling Motors
- Instruments
- Electrical
- Lighting
- Anchor & Dock
- Safety
- Steering, Controls
- Pumps
- Fuel System
- Seating & Pedestals
- Trailing
- Tops & Covers
- Perform.
- Propellers
- Engine & Care
- Cleaning & Care
- Paint & Paint Acc.
- Fun & Flotation
- Topside Acc.
- Cockpit & Deck
- Hardware, Fasteners
- Camouflage
- Misc.

Adam's Fabrication Watertight Doors



- Built to customer specifications from steel, stainless steel and aluminum.
- Options include:
 - Standard dog doors
 - Quick acting doors
 - Windows
 - Brass and aluminum lights
 - Hydrostatic pressure specifications

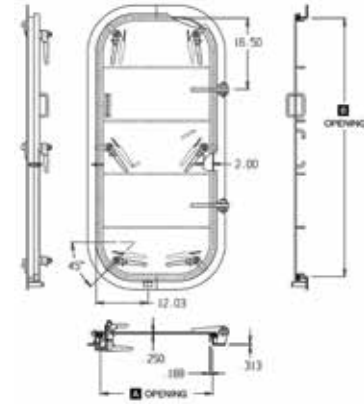
Commercial Watertight Doors - All Steel



- 4 Dog.
- Standard grade.
- Similar to Centex Drawing 101.

Order No.	Description	List Price	
312859	26" x 54", RH	\$2,165.99	CO-9014810
312861	26" x 54", LH	\$2,165.99	CO-9014810
312873	26" x 60", RH	\$2,210.79	CO-7197810
312885	26" x 60", LH	\$2,210.79	CO-7197810
312897	30" x 60", RH	\$2,382.29	CO-5942020
312900	30" x 60", LH	\$2,382.29	CO-5942020

Commercial Watertight Doors - All Steel



- 6 Dog.
- ABS grade.
- Similar to Centex Drawing 102.

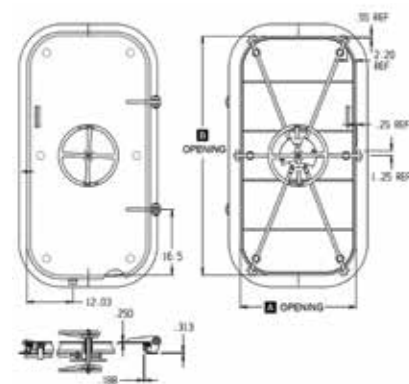
Order No.	Description	List Price	
313128	26" x 60", RH	\$2,229.09	CO-3749810
313130	26" x 60", LH	\$2,229.09	CO-3749810
313180	30" x 60", RH	\$2,309.09	CO-3726910
313192	30" x 60", LH	\$2,309.09	CO-3726910
313205	30" x 66", RH	\$2,348.99	CO-4669910
313217	30" x 66", LH	\$2,348.99	CO-4669910
313229	30" x 72", RH	\$2,314.09	CO-8966910
313231	30" x 72", LH	\$2,314.09	CO-8966910

Commercial Quick Acting Watertight Doors - All Steel



- 6 Dog.
- ABS grade.
- Similar to Centex Drawing 104.

Order No.	Description	List Price	
313255	26" x 60", RH	\$2,520.49	CO-2424120
313267	26" x 60", LH	\$2,520.49	CO-2424120
313279	30" x 60", RH	\$2,527.19	CO-1184120
313281	30" x 60", LH	\$2,527.19	CO-1184120
313293	30" x 66", RH	\$2,700.39	CO-3359220
313306	30" x 66", LH	\$2,700.39	CO-3359220
313318	30" x 72", RH	\$2,741.89	CO-1603320
313320	30" x 72", LH	\$2,741.89	CO-1603320



- Electronics
- Trolling Motors
- Instruments
- Electrical
- Lighting
- Anchor & Dock
- Safety
- Steering, Controls
- Pumps
- Fuel System
- Seating & Pedestals
- Trailer
- Tops & Covers
- Perform.
- Propellers
- Engine & Care
- Cleaning & Care
- Paint & Paint Acc.
- Fun & Flotation
- Topside Acc.
- Cockpit & Deck
- Hardware, Fasteners
- Camouflage
- Misc.

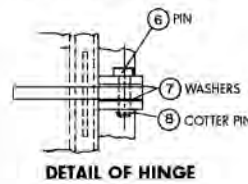
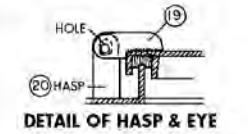
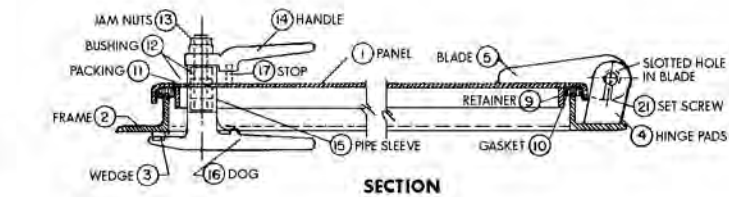
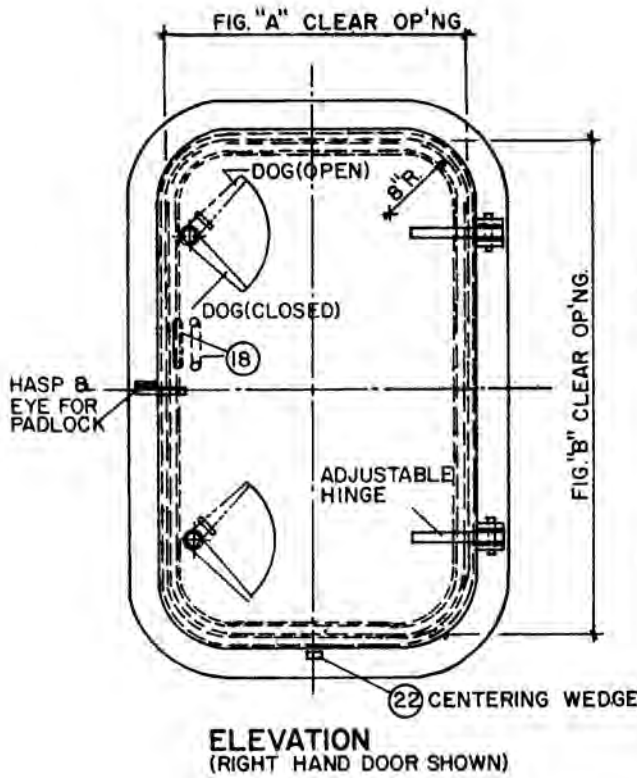
Commercial

SPECIAL HANDLING MAY APPLY



Comm.

Gastight and Weathertight Door with Two Dogs

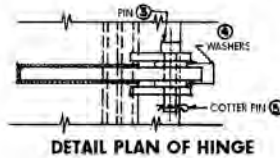
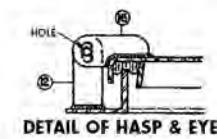
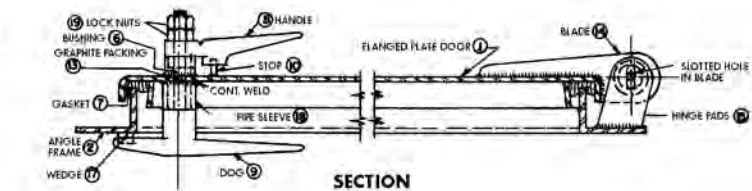
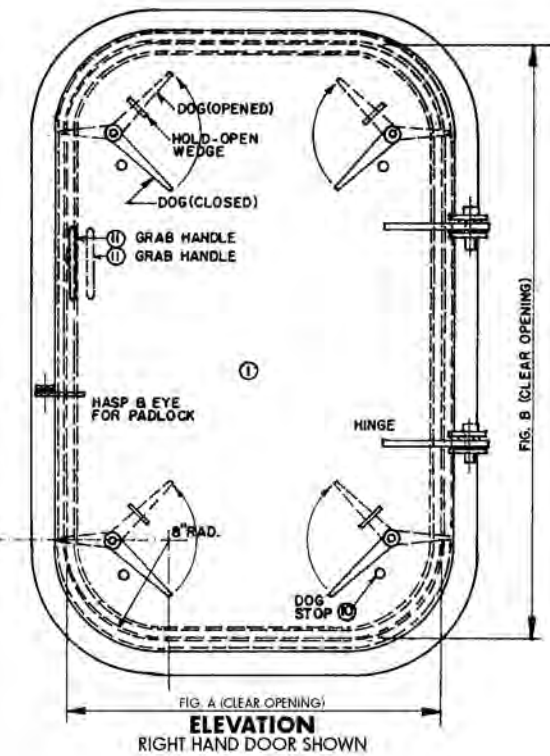


Drawing Number 100

Schedule Of Materials

Pc. No.	Material	Pc. No.	Material
1	Mild Steel	12	Delrin
2	Do.	13	Mild Steel
3	Do.	14	Frg. Steel
4	Do.	15	Mild Steel
5	Do.	16	Frg. Steel
6	Brass	17	Mild Steel
7	Do.	18	Do.
8	Do.	19	Do.
9	Mild Steel	20	Do.
10	Neoprene	21	Steel
11	Graphite	22	Do.

Watertight Door with Four Dogs



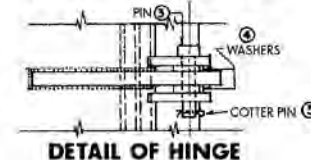
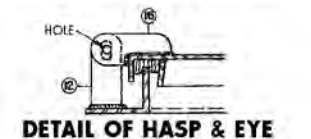
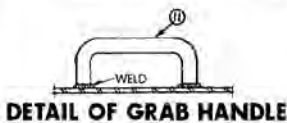
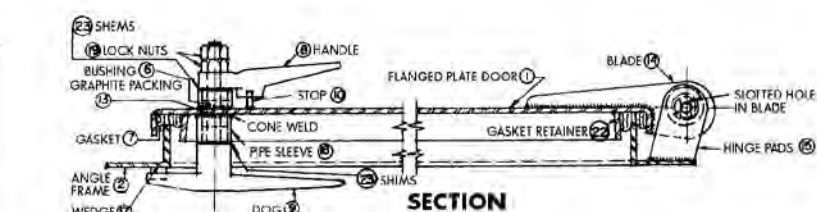
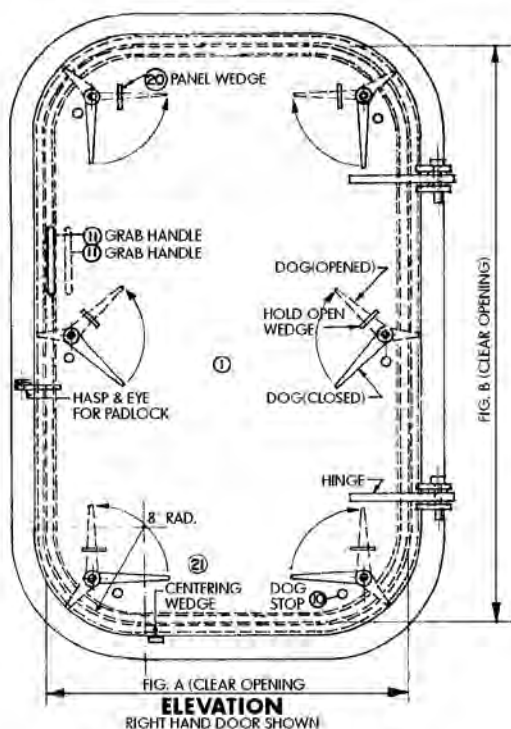
Drawing Number 101

Schedule Of Materials

Pc. No.	Material	Pc. No.	Material
1	Mild Steel	11	Mild Steel
2	Mild Steel	12	Mild Steel
3	Brass	13	Graphite
4	Brass	14	Mild Steel
5	Brass	15	Mild Steel
6	Delrin	16	Mild Steel
7	Neoprene	17	Mild Steel
8	Frg. Steel	18	Mild Steel
9	Frg. Steel	19	Mild Steel
10	Mild Steel		

- Electronics
- Trolling Motors
- Instruments
- Electrical
- Lighting
- Anchor & Dock
- Safety
- Steering, Controls
- Pumps
- Fuel System
- Seating & Pedestals
- Trailing
- Tops & Covers
- Perform.
- Propellers
- Engine & Care
- Cleaning & Care
- Paint & Paint Acc.
- Fun & Flotation
- Topside Acc.
- Cockpit & Deck
- Hardware, Fasteners
- Camouflage
- Misc.

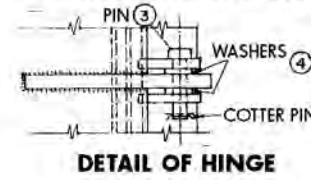
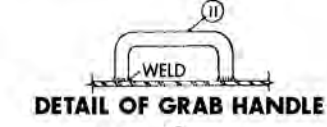
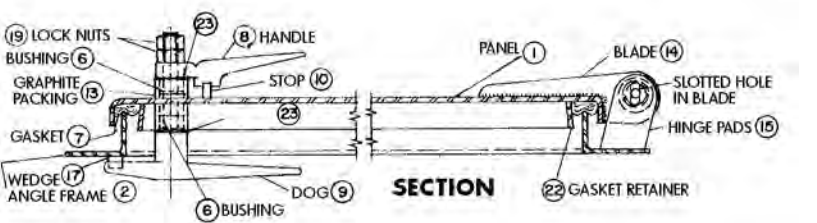
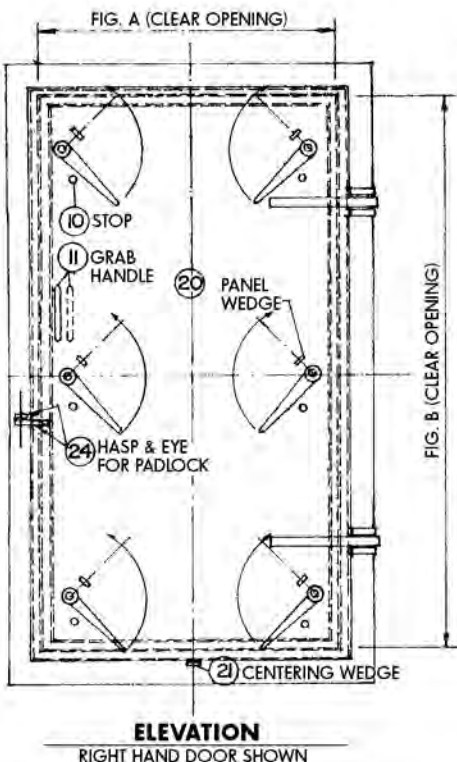
Watertight Door with Six Dogs



Drawing Number 102
Schedule Of Materials

Pc. No.	Material	Pc. No.	Material
1	Mild Steel	13	Graphite
2	Mild Steel	14	Mild Steel
3	Brass	15	Mild Steel
4	Brass	16	Mild Steel
5	Brass	17	Mild Steel
6	Delrin	18	Mild Steel
7	Neoprene	19	Mild Steel
8	Frg. Steel	20	Mild Steel
9	Frg. Steel	21	Mild Steel
10	Mild Steel	22	Mild Steel
11	Mild Steel	23	Brass
12	Mild Steel		

Watertight Square Door with Six Dogs

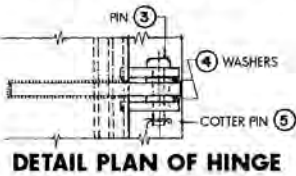
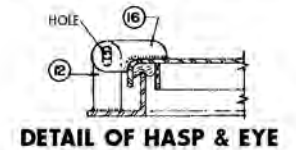
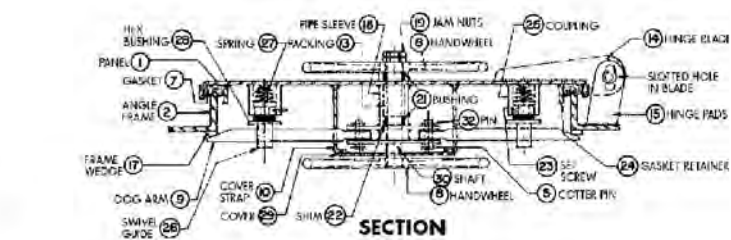
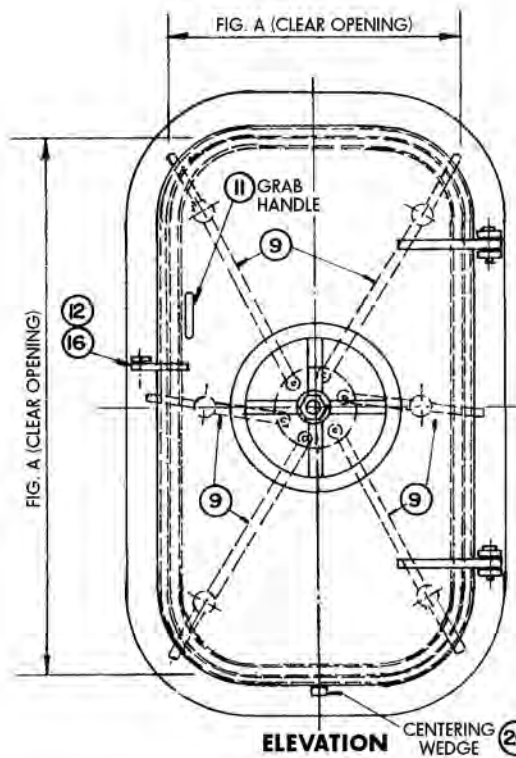


Drawing Number 103
Schedule Of Materials

Pc. No.	Material	Pc. No.	Material
1	Mild Steel	13	Graphite
2	Mild Steel	14	Mild Steel
3	Brass	15	Mild Steel
4	Brass	16	Mild Steel
5	Mild Steel	17	Mild Steel
6	Delrin	18	Mild Steel
7	Neoprene	19	Mild Steel
8	Frg. Steel	20	Mild Steel
9	Frg. Steel	21	Mild Steel
10	Mild Steel	22	Mild Steel
11	Mild Steel	23	Brass
12	Mild Steel	24	Mild Steel

- Electronics
- Trolling Motors
- Instruments
- Electrical
- Lighting
- Anchor & Dock
- Safety
- Steering, Controls
- Pumps
- Fuel System
- Seating & Pedestals
- Trailering
- Tops & Covers
- Perform.
- Propellers
- Engine & Care
- Cleaning & Care
- Paint & Paint Acc.
- Fun & Flotation
- Topside Acc.
- Cockpit & Deck
- Hardware, Fasteners
- Camouflage
- Misc.

Quick Acting Watertight Door

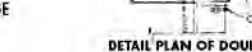
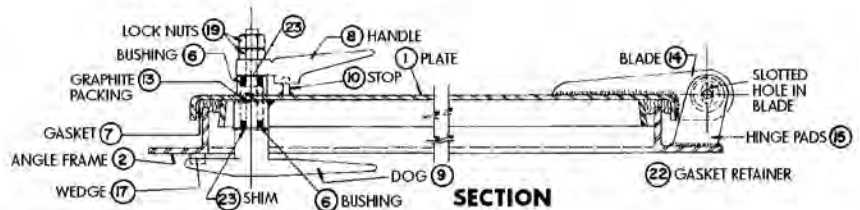
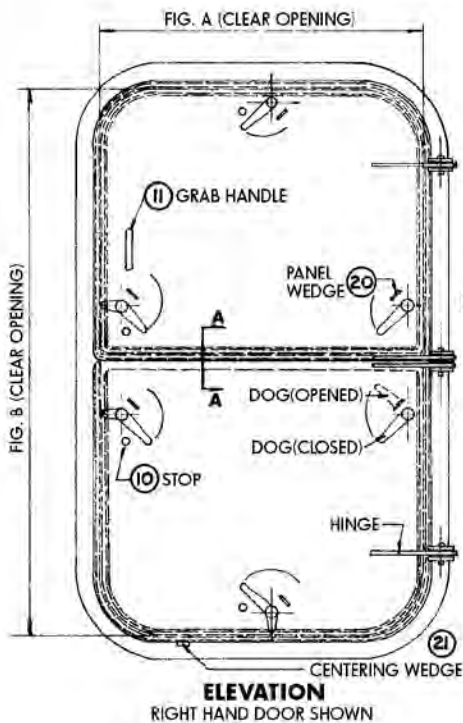


Drawing Number 104

Schedule Of Materials

Pc. No.	Material	Pc. No.	Material
1	Mild Steel	17	Mild Steel
2	Mild Steel	18	Mild Steel
3	Brass	19	Mild Steel
4	Brass	20	Mild Steel
5	Brass	21	Delrin
6	Mild Steel	22	Brass
7	Neoprene	23	Mild Steel
8	Mild Steel	24	Mild Steel
9	Mild Steel	25	Mild Steel
10	Mild Steel	26	Brass
11	Mild Steel	27	Mild Steel
12	Mild Steel	28	Mild Steel
13	Graphite	29	Mild Steel
14	Mild Steel	30	C.F. Steel
15	Mild Steel	31	Mild Steel
16	Mild Steel		

Watertight Dutch Door with Six Dogs



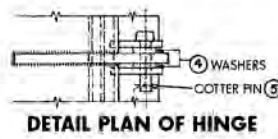
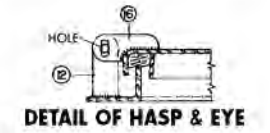
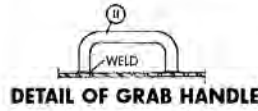
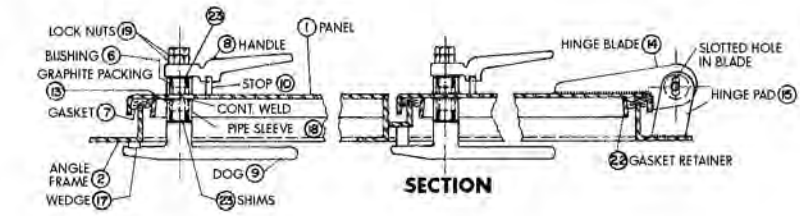
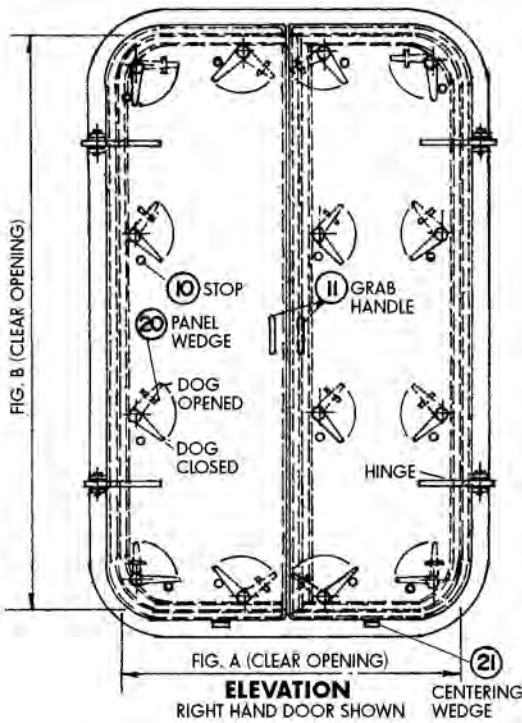
Drawing Number 105

Schedule Of Materials

Pc. No.	Material	Pc. No.	Material
1	Mild Steel	13	Graphite
2	Mild Steel	14	Mild Steel
3	Brass	15	Mild Steel
4	Brass	16	Mild Steel
5	Mild Steel	17	Mild Steel
6	Delrin	18	Mild Steel
7	Neoprene	19	Mild Steel
8	Frg. Steel	20	Mild Steel
9	Frg. Steel	21	Mild Steel
10	Mild Steel	22	Mild Steel
11	Mild Steel	23	Brass
12	Mild Steel		

- Electronics
- Trolling Motors
- Instruments
- Electrical
- Lighting
- Anchor & Dock
- Safety
- Steering, Controls
- Pumps
- Fuel System
- Seating & Pedestals
- Trailing
- Tops & Covers
- Perform.
- Propellers
- Engine & Care
- Cleaning & Care
- Paint & Paint Acc.
- Fun & Flotation
- Topside Acc.
- Cockpit & Deck
- Hardware, Fasteners
- Camouflage
- Misc.

Watertight Door with Six Dogs

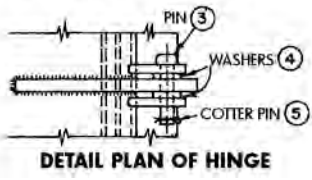
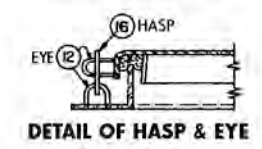
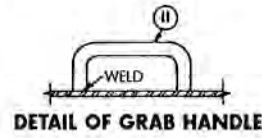
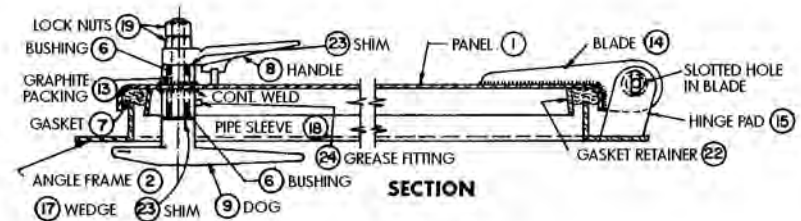
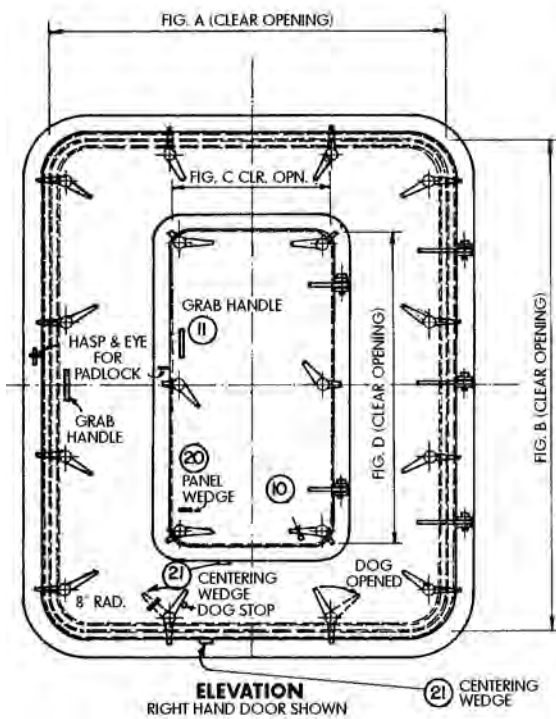


Drawing Number 106
Schedule Of Materials

Pc. No.	Material	Pc. No.	Material
1	Mild Steel	13	Graphite
2	Mild Steel	14	Mild Steel
3	Brass	15	Mild Steel
4	Brass	16	Mild Steel
5	Mild Steel	17	Mild Steel
6	Delrin	18	Mild Steel
7	Neoprene	19	Mild Steel
8	Frg. Steel	20	Mild Steel
9	Frg. Steel	21	Mild Steel
10	Mild Steel	22	Mild Steel
11	Mild Steel	23	Brass
12	Mild Steel		

- Electronics
- Trolling Motors
- Instruments
- Electrical
- Lighting
- Anchor & Dock
- Safety
- Steering, Controls
- Pumps
- Fuel System
- Seating & Pedestals
- Trailering
- Tops & Covers
- Perform.
- Propellers
- Engine & Care
- Cleaning & Care
- Paint & Paint Acc.
- Fun & Flotation
- Topside Acc.
- Cockpit & Deck
- Hardware, Fasteners
- Camouflage
- Misc.

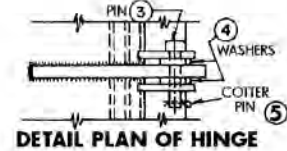
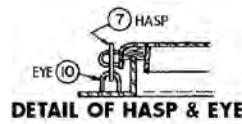
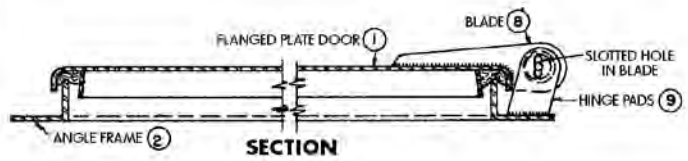
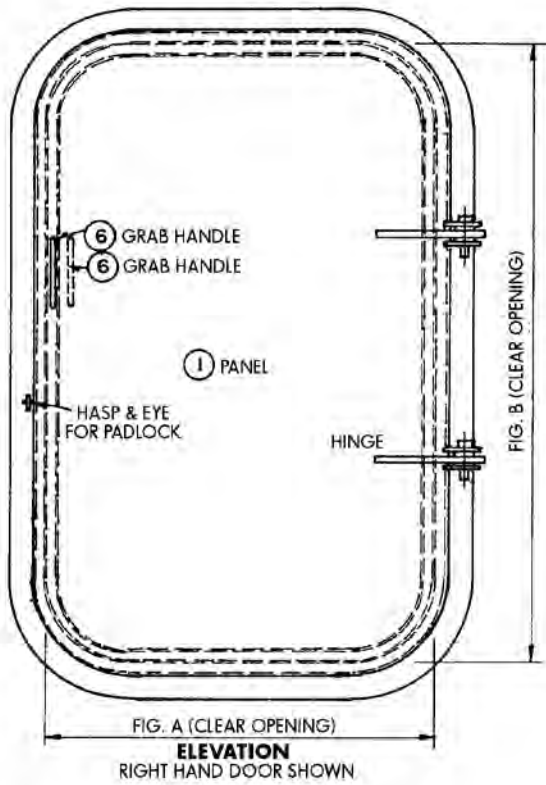
Watertight Door - Personal and Equipment



Drawing Number 107
Schedule Of Materials

Pc. No.	Material	Pc. No.	Material
1	Mild Steel	13	Graphite
2	Mild Steel	14	Mild Steel
3	Brass	15	Mild Steel
4	Stainless	16	Mild Steel
5	Stainless	17	Frg. Steel
6	Delrin	18	Mild Steel
7	Neoprene	19	Mild Steel
8	Frg. Steel	20	Mild Steel
9	Frg. Steel	21	Mild Steel
10	Mild Steel	22	Mild Steel
11	Mild Steel	23	Stainless
12	Mild Steel	24	Plated Steel

Non-tight Door

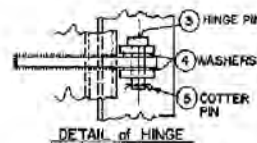
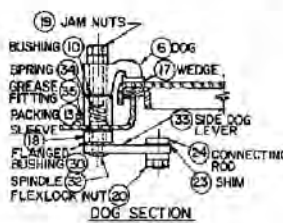
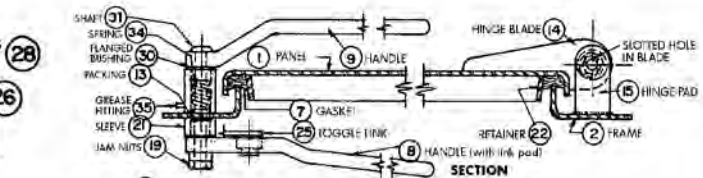
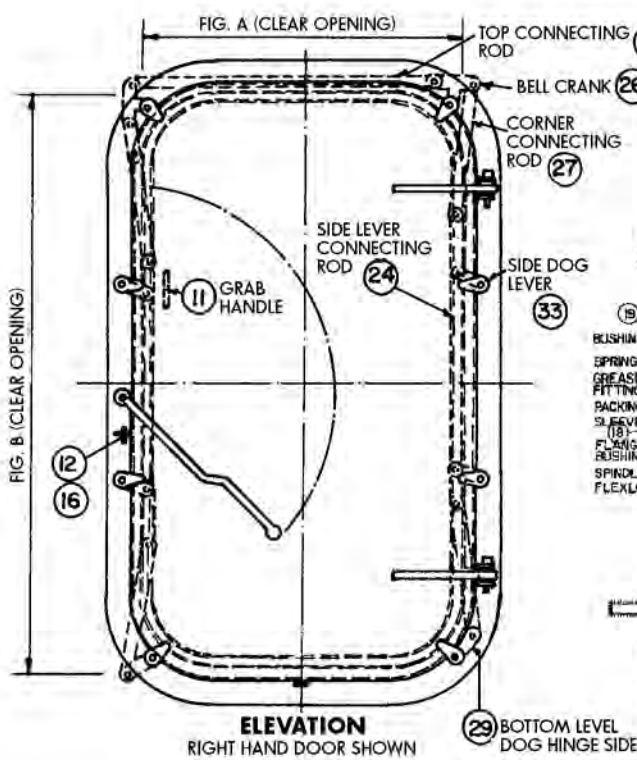


Drawing Number 108

Schedule Of Materials

Pc. No.	Material	Pc. No.	Material
1	Mild Steel	6	Mild Steel
2	Mild Steel	7	Mild Steel
3	Brass	8	Mild Steel
4	Stainless	9	Mild Steel
5	Stainless	10	Mild Steel

Quick Acting Lever Type Door



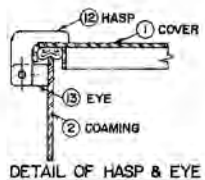
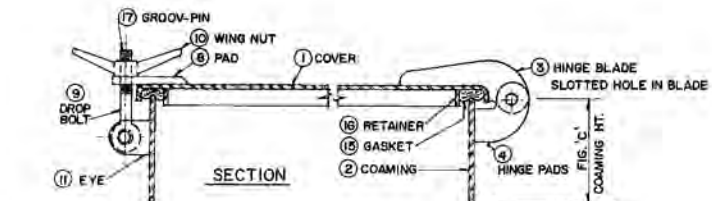
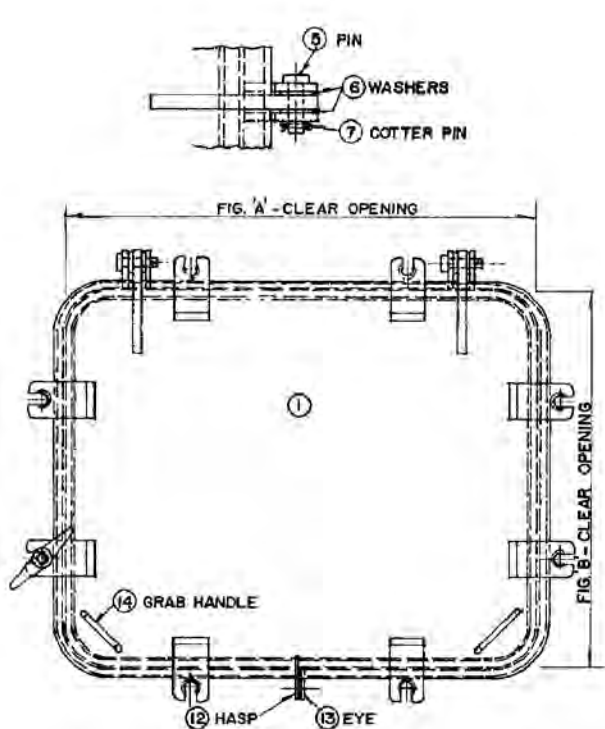
Drawing Number 109

Schedule Of Materials

Pc. No.	Material	Pc. No.	Material
1	Mild Steel	19	Mild Steel
2	Mild Steel	20	Mild Steel
3	Brass	21	Mild Steel
4	Stainless	22	Mild Steel
5	Stainless	23	Stainless
6	Frg. Steel	24	Mild Steel
7	Neoprene	25	Mild Steel
8	Frg. Steel	26	Mild Steel
9	Frg. Steel	27	Mild Steel
10	Oilite Bronze	28	Mild Steel
11	Mild Steel	29	Mild Steel
12	Mild Steel	30	Oilite Bronze
13	Graphite	31	Cold Finish
14	Mild Steel	32	Cold Finish
15	Mild Steel	33	Mild Steel
16	Mild Steel	34	Stainless
17	Stainless	35	Plated Steel
18	Mild Steel		

- Electronics
- Trolling Motors
- Instruments
- Electrical
- Lighting
- Anchor & Dock
- Safety
- Steering, Controls
- Pumps
- Fuel System
- Seating & Pedestals
- Trailering
- Tops & Covers
- Perform.
- Propellers
- Engine & Care
- Cleaning & Care
- Paint & Paint Acc.
- Fun & Flotation
- Topside Acc.
- Cockpit & Deck
- Hardware, Fasteners
- Camouflage
- Misc.

Watertight Hatch with Drop Bolts



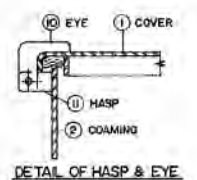
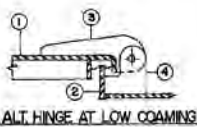
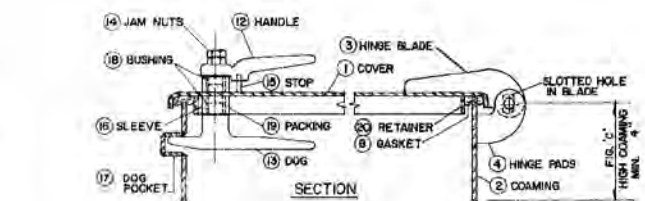
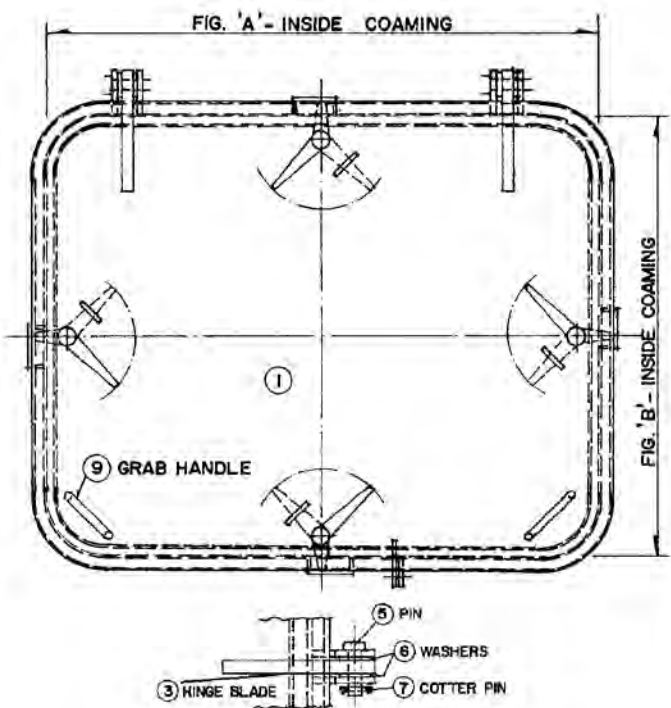
Custom Built Item - Specify Size

Drawing Number 200

Schedule Of Materials

Pc. No.	Material	Pc. No.	Material
1	Mild Steel	10	Bronze
2	Mild Steel	11	Mild Steel
3	Mild Steel	12	Mild Steel
4	Mild Steel	13	Mild Steel
5	Brass	14	Mild Steel
6	Brass	15	Neoprene
7	Brass	16	Mild Steel
8	Mild Steel	17	Stainless
9	Bronze	18	Brass

Watertight Hatch



Custom Built Item - Specify Size

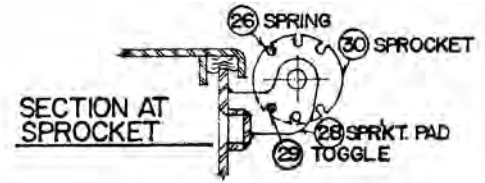
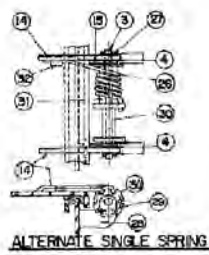
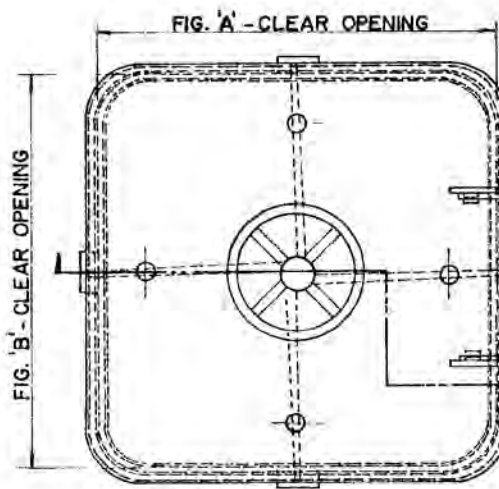
Drawing Number 201

Schedule Of Materials

Pc. No.	Material	Pc. No.	Material
1	Mild Steel	12	Frg. Steel
2	Mild Steel	13	Frg. Steel
3	Mild Steel	14	Steel
4	Mild Steel	15	Steel
5	Brass	16	Steel
6	Brass	17	Steel
7	Brass	18	Delrin
8	Neoprene	19	Graphite
9	Steel	20	Mild Steel
10	Mild Steel		
11	Mild Steel		

- Electronics
- Trolling Motors
- Instruments
- Electrical
- Lighting
- Anchor & Dock
- Safety
- Steering, Controls
- Pumps
- Fuel System
- Seating & Pedestals
- Trailering
- Tops & Covers
- Perform.
- Propellers
- Engine & Care
- Cleaning & Care
- Paint & Paint Acc.
- Fun & Flotation
- Topside Acc.
- Cockpit & Deck
- Hardware, Fasteners
- Camouflage
- Misc.

Spring Balance Quick Acting Watertight Hatch



Custom Built Item - Specify Size

Drawing Number 202

Schedule Of Materials

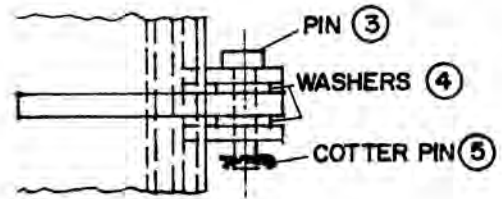
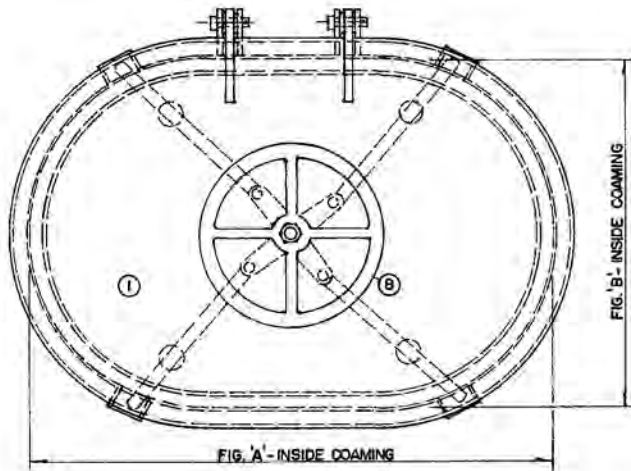
Pc. No.	Material	Pc. No.	Material
1	Mild Steel	18	Mild Steel
2	Mild Steel	19	Mild Steel
3	Cold Finish	20	Brass
4	Brass	21	Delrin
5	Brass	22	Brass
6	Brass	23	Steel
7	Neoprene	24	Mild Steel
8	Mild Steel	25	Mild Steel
9	Mild Steel	26	Spring Steel
10	Mild Steel	27	Brass
11	Cold Finish	28	Mild Steel
12	Mild Steel	29	Mild Steel
13	Graphite	30	Mild Steel
14	Mild Steel	31	Mild Steel
15	Mild Steel	32	Mild Steel
16	Mild Steel	33	Mild Steel
17	Spring Steel		

Replacement Hinge and Spring Assembly for Centex #202

Order No. 279352 Mfg. No. / Description (HR202)

List Price POR

Quick Acting Watertight Hatch

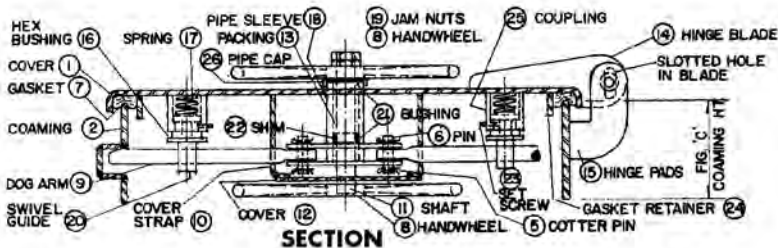


Custom Built Item - Specify Size

Drawing Number 203

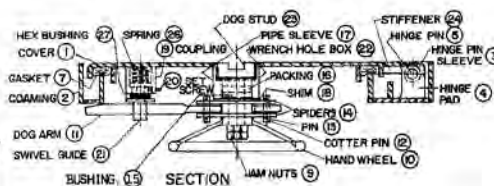
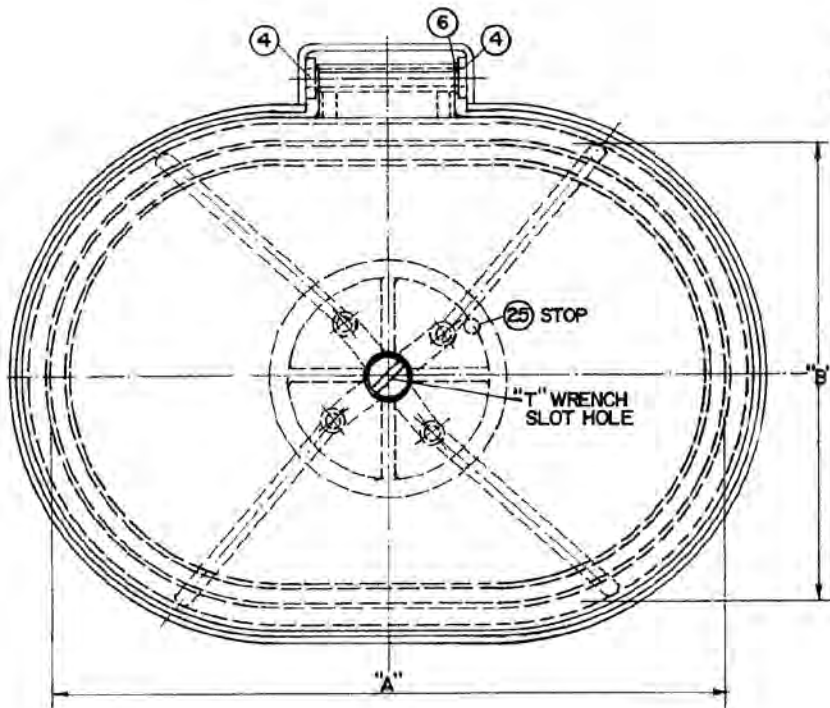
Schedule Of Materials

Pc. No.	Material	Pc. No.	Material
1	Mild Steel	14	Mild Steel
2	Mild Steel	15	Mild Steel
3	Brass	16	Mild Steel
4	Brass	17	Spring Steel
5	Brass	18	Mild Steel
6	Brass	19	Mild Steel
7	Neoprene	20	Brass
8	Mild Steel	21	Delrin
9	Mild Steel	22	Brass
10	Mild Steel	23	Steel
11	Cold Finish	24	Mild Steel
12	Mild Steel	25	Mild Steel
13	Graphite	26	Mild Steel



- Electronics
- Trolling Motors
- Instruments
- Electrical
- Lighting
- Anchor & Dock
- Safety
- Steering, Controls
- Pumps
- Fuel System
- Seating & Pedestals
- Trailing
- Tops & Covers
- Perform.
- Propellers
- Engine & Care
- Cleaning & Care
- Paint & Paint Acc.
- Fun & Flotation
- Topside Acc.
- Cockpit & Deck
- Hardware, Fasteners
- Camouflage
- Misc.

Quick Acting Oval Watertight Hatch



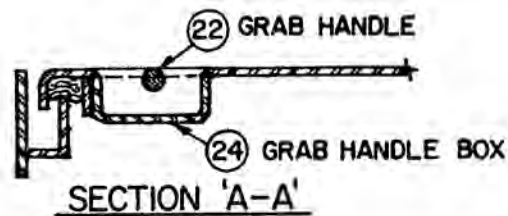
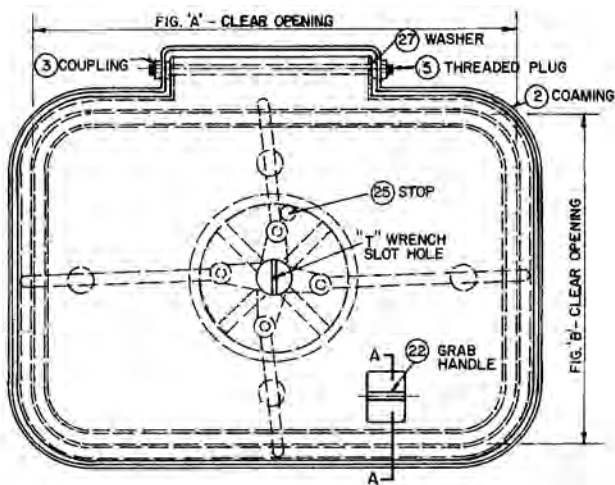
Custom Built Item - Specify Size

Drawing Number 204

Schedule Of Materials

Pc. No.	Material	Pc. No.	Material
1	Mild Steel	15	Delrin
2	Mild Steel	16	Graphite
3	Mild Steel	17	Mild Steel
4	Mild Steel	18	Brass
5	Cold Finish	19	Mild Steel
6	Brass	20	Mild Steel
7	Neoprene	21	Brass
8	Mild Steel	22	Mild Steel
9	Mild Steel	23	Brass
10	Mild Steel	24	Mild Steel
11	Mild Steel	25	Mild Steel
12	Brass	26	Spring Steel
13	Brass	27	Mild Steel
14	Mild Steel		

Quick Acting Watertight Flush Hatch

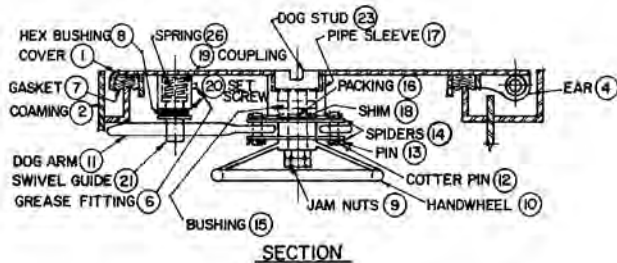


Custom Built Item - Specify Size

Drawing Number 205

Schedule Of Materials

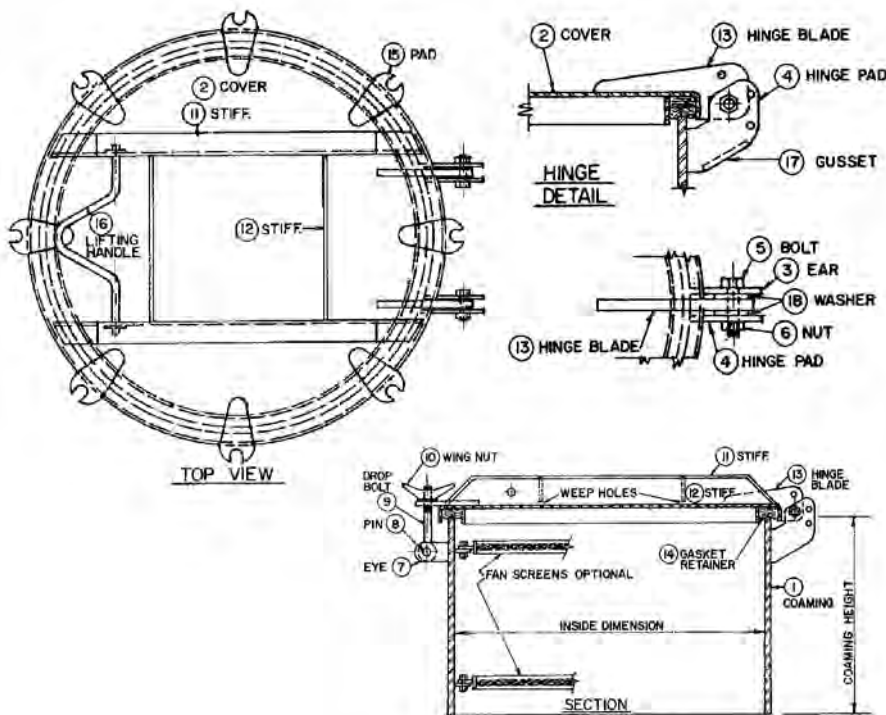
Pc. No.	Material	Pc. No.	Material
1	Mild Steel	15	Delrin
2	Mild Steel	16	Graphite
3	Mild Steel	17	Cold Finish
4	Mild Steel	18	Stainless
5	Mild Steel	19	Mild Steel
6	Cold Finish	20	Mild Steel
7	Neoprene	21	Brass
8	Mild Steel	22	Mild Steel
9	Mild Steel	23	Brass
10	Aluminum	24	Mild Steel
11	Cold Finish	25	Mild Steel
12	Stainless	26	Spring Steel
13	Brass	27	Stainless
14	Mild Steel		



- Electronics
- Trolling Motors
- Instruments
- Electrical
- Lighting
- Anchor & Dock
- Safety
- Steering, Controls
- Pumps
- Fuel System
- Seating & Pedestals
- Trailer
- Tops & Covers
- Perform.
- Propellers
- Engine & Care
- Cleaning & Care
- Paint & Paint Acc.
- Fun & Flotation
- Topside Acc.
- Cockpit & Deck
- Hardware, Fasteners
- Camouflage
- Misc.

- Electronics
- Trolling Motors
- Instruments
- Electrical
- Lighting
- Anchor & Dock
- Safety
- Steering, Controls
- Pumps
- Fuel System
- Seating & Pedestals
- Trailering
- Tops & Covers
- Perform.
- Propellers
- Engine & Care
- Cleaning & Care
- Paint & Paint Acc.
- Fun & Flotation
- Topside Acc.
- Cockpit & Deck
- Hardware, Fasteners
- Camouflage
- Misc.

Watertight Hatch with Drop Bolts



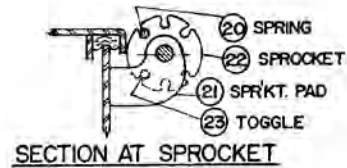
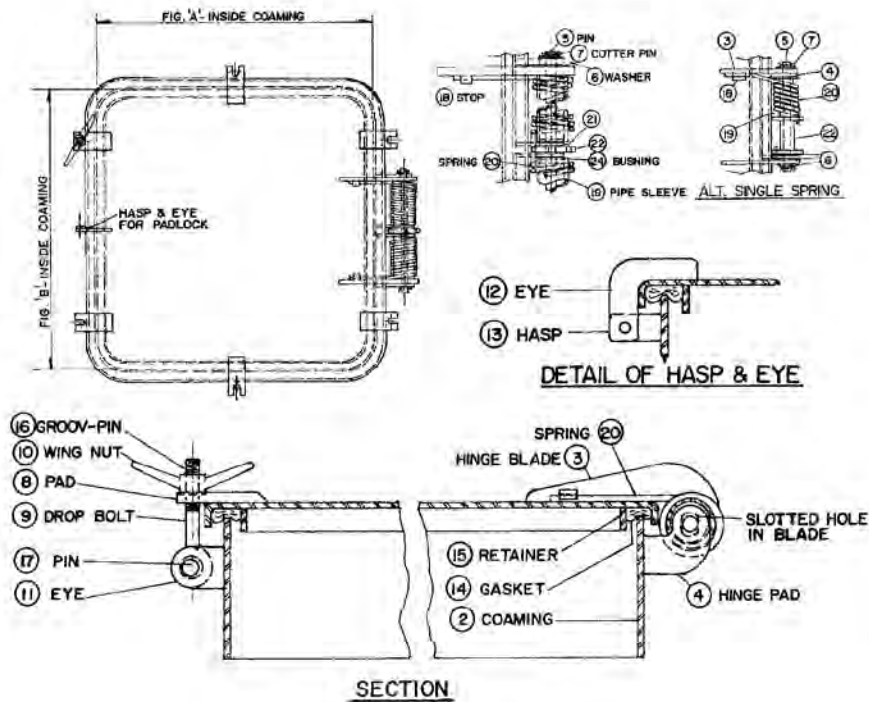
Custom Built Item - Specify Size

Drawing Number 206

Schedule Of Materials

Pc. No.	Material	Pc. No.	Material
1	Mild Steel	10	Brass
2	Mild Steel	11	Mild Steel
3	Mild Steel	12	Mild Steel
4	Mild Steel	13	Mild Steel
5	Stainless	14	Neoprene
6	Stainless	15	Mild Steel
7	Mild Steel	16	Cold Finish
8	Brass	17	Mild Steel
9	Brass	18	Stainless

Spring Balance Rectangular or Square Dog Hatch



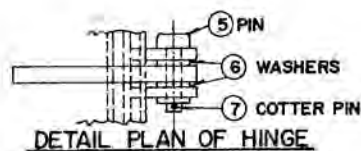
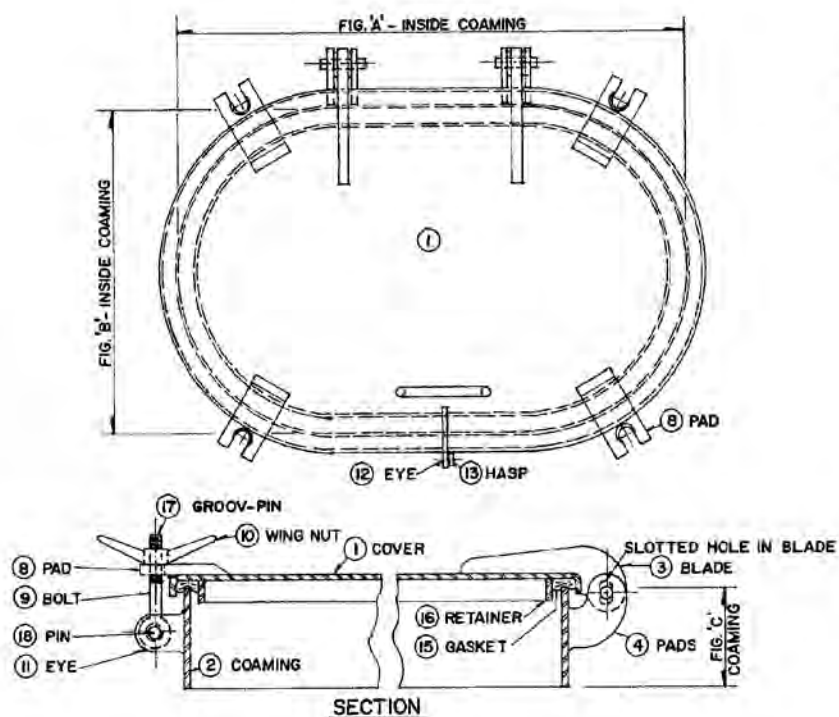
Custom Built Item - Specify Size

Drawing Number 207

Schedule Of Materials

Pc. No.	Material	Pc. No.	Material
1	Mild Steel	13	Mild Steel
2	Mild Steel	14	Neoprene
3	Mild Steel	15	Mild Steel
4	Mild Steel	16	Stainless
5	Cold Finish	17	Brass
6	Brass	18	Mild Steel
7	Brass	19	Mild Steel
8	Mild Steel	20	Spring Steel
9	Manganese Brz.	21	Mild Steel
10	Manganese Brz.	22	Mild Steel
11	Mild Steel	23	Mild Steel
12	Mild Steel	24	Brass

Watertight Hatch with Drop Bolts



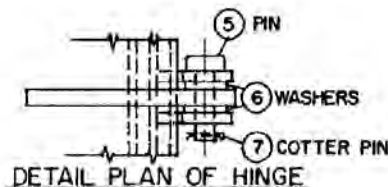
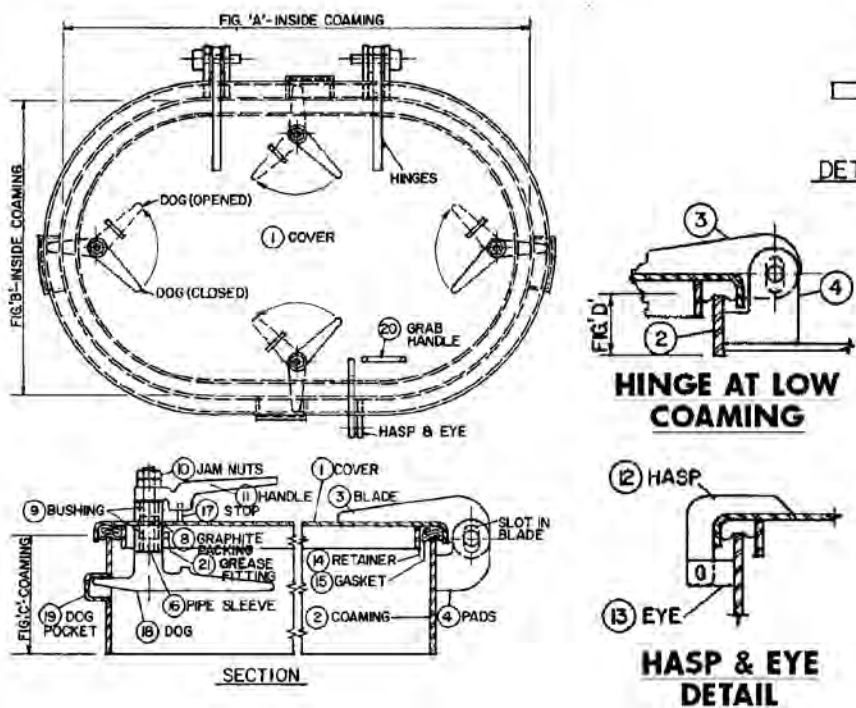
Custom Built Item - Specify Size

Drawing Number 208

Schedule Of Materials

Pc. No.	Material	Pc. No.	Material
1	Mild Steel	10	Manganese Brz.
2	Mild Steel	11	Steel
3	Mild Steel	12	Mild Steel
4	Mild Steel	13	Mild Steel
5	Brass	14	Steel
6	Brass	15	Neoprene
7	Brass	16	Mild Steel
8	Mild Steel	17	Stainless
9	Manganese Brz.	18	Brass

Watertight Hatch with Dogs



Custom Built Item - Specify Size

Drawing Number 209

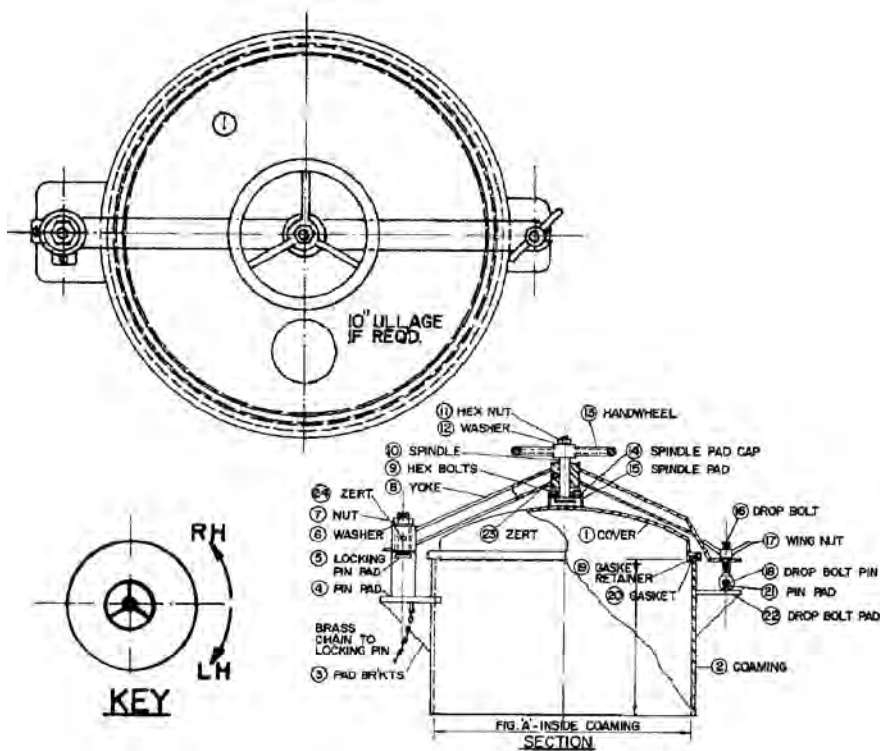
Schedule Of Materials

Pc. No.	Material	Pc. No.	Material
1	Mild Steel	12	Mild Steel
2	Mild Steel	13	Mild Steel
3	Mild Steel	14	Mild Steel
4	Mild Steel	15	Neoprene
5	Brass	16	Mild Steel
6	Stainless	17	Mild Steel
7	Stainless	18	Frg. Steel
8	Graphite	19	Mild Steel
9	Delrin	20	Mild Steel
10	Mild Steel	21	Plated
11	Frg. Steel		

- Electronics
- Trolling Motors
- Instruments
- Electrical
- Lighting
- Anchor & Dock
- Safety
- Steering, Controls
- Pumps
- Fuel System
- Seating & Pedestals
- Trailer
- Tops & Covers
- Perform.
- Propellers
- Engine & Care
- Cleaning & Care
- Paint & Paint Acc.
- Fun & Flotation
- Topside Acc.
- Cockpit & Deck
- Hardware, Fasteners
- Camouflage
- Misc.

- Electronics
- Trolling Motors
- Instruments
- Electrical
- Lighting
- Anchor & Dock
- Safety
- Steering, Controls
- Pumps
- Fuel System
- Seating & Pedestals
- Trailing
- Tops & Covers
- Perform.
- Propellers
- Engine & Care
- Cleaning & Care
- Paint & Paint Acc.
- Fun & Flotation
- Topside Acc.
- Cockpit & Deck
- Hardware, Fasteners
- Camouflage
- Misc.

Oil Cargo Hatch



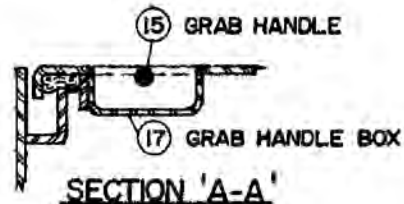
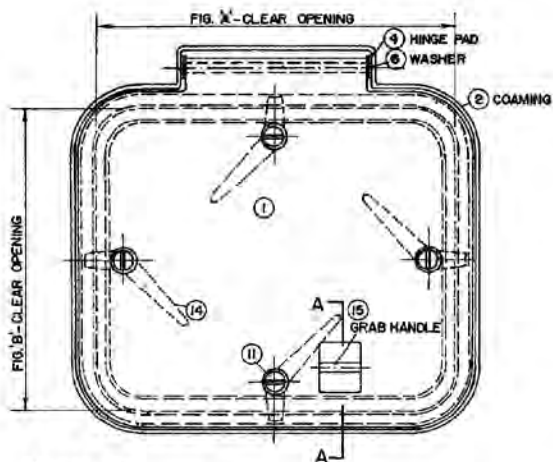
Custom Built Item - Specify Size

Drawing Number 210

Schedule Of Materials

Pc. No.	Material	Pc. No.	Material
1	Mild Steel	13	Mild Steel
2	Mild Steel	14	Mild Steel
3	Mild Steel	15	Mild Steel
4	Mild Steel	16	Manganese Brz.
5	Mild Steel	17	Manganese Brz.
6	Brass	18	Brass
7	Steel	19	Mild Steel
8	Mild Steel	20	Neoprene
9	Steel	21	Mild Steel
10	Brass	22	Mild Steel
11	Steel	23	Steel
12	Brass	24	Steel

Watertight Flush Hatch

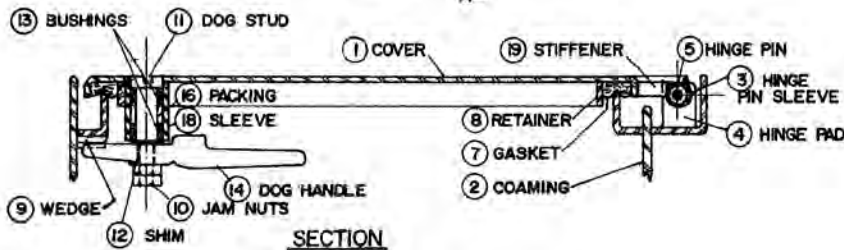


Custom Built Item - Specify Size

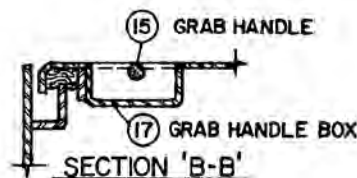
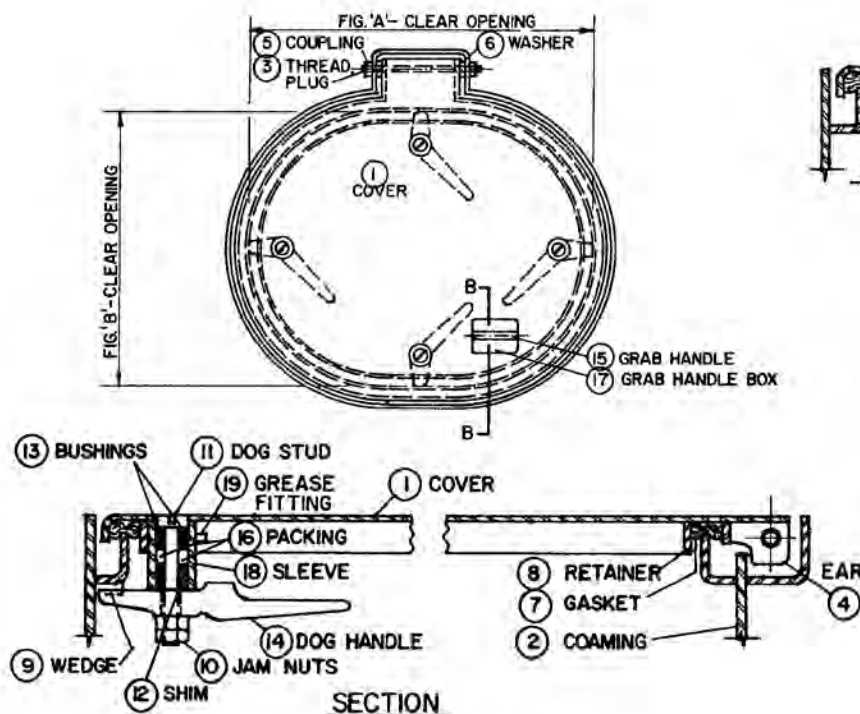
Drawing Number 211

Schedule Of Materials

Pc. No.	Material	Pc. No.	Material
1	Mild Steel	11	Manganese Brz
2	Mild Steel	12	Brass
3	Mild Steel	13	Delrin
4	Mild Steel	14	Mild Steel
5	Cold Finish	15	Mild Steel
6	Brass	16	Graphite
7	Neoprene	17	Mild Steel
8	Mild Steel	18	Mild Steel
9	Mild Steel	19	Mild Steel
10	Steel		



Watertight Flush Oval Hatch



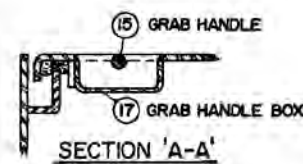
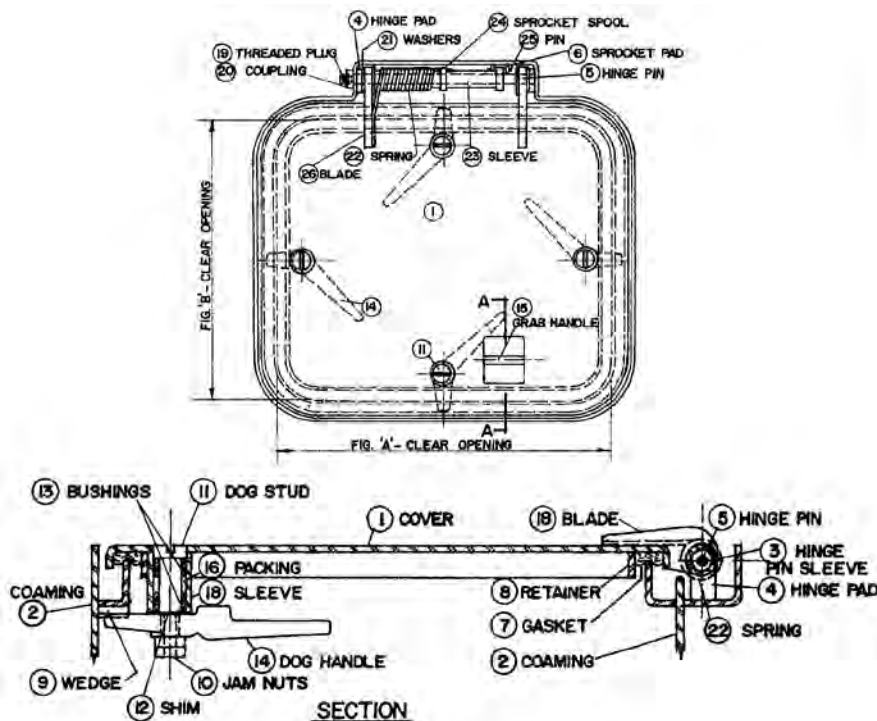
Custom Built Item - Specify Size

Drawing Number 212

Schedule Of Materials

Pc. No.	Material	Pc. No.	Material
1	Mild Steel	11	Brass
2	Mild Steel	12	Stainless
3	Mild Steel	13	Delrin
4	Mild Steel	14	Manganese Brz.
5	Mild Steel	15	Mild Steel
6	Stainless	16	Graphite
7	Neoprene	17	Mild Steel
8	Mild Steel	18	Cold Finish
9	Frg. Steel	19	Plated
10	Steel		

Watertight Flush Hatch with Spring Balanced Cover



Custom Built Item - Specify Size

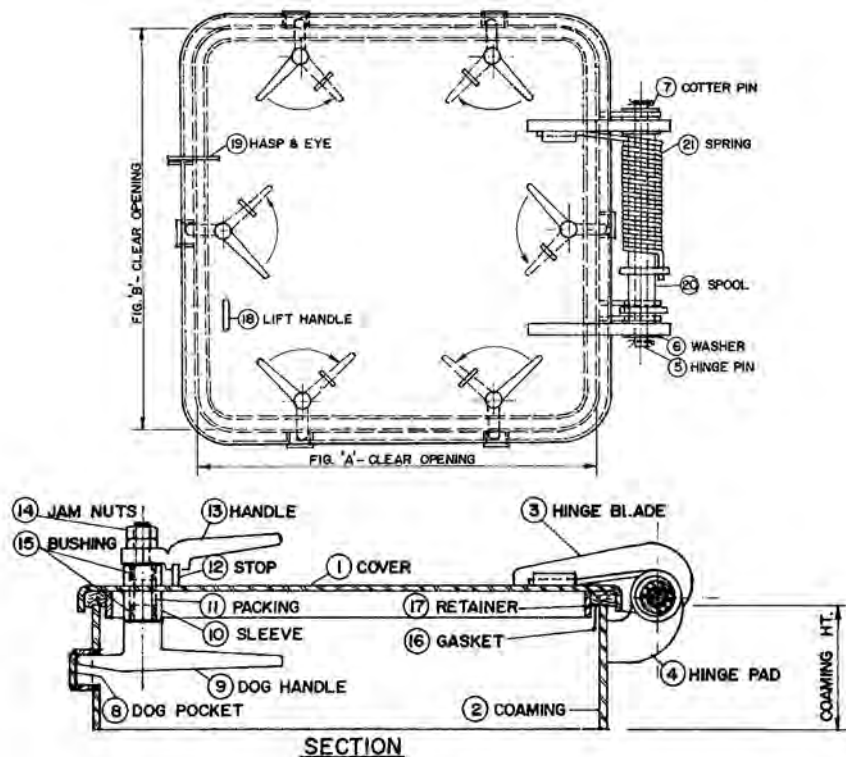
Drawing Number 213

Schedule Of Materials

Pc. No.	Material	Pc. No.	Material
1	Mild Steel	14	Mild Steel
2	Mild Steel	15	Mild Steel
3	Mild Steel	16	Graphite
4	Mild Steel	17	Mild Steel
5	Cold Finish	18	Mild Steel
6	Mild Steel	19	Mild Steel
7	Neoprene	20	Steel
8	Mild Steel	21	Brass
9	Mild Steel	22	Spring Steel
10	Steel	23	Mild Steel
11	Manganese Brz.	24	Mild Steel
12	Brass	25	Mild Steel
13	Delrin	26	Mild Steel

- Electronics
- Trolling Motors
- Instruments
- Electrical
- Lighting
- Anchor & Dock
- Safety
- Steering, Controls
- Pumps
- Fuel System
- Seating & Pedestals
- Trailer
- Tops & Covers
- Perform.
- Propellers
- Engine & Care
- Cleaning & Care
- Paint & Paint Acc.
- Fun & Flotation
- Topside Acc.
- Cockpit & Deck
- Hardware, Fasteners
- Camouflage
- Misc.

Watertight Hatch - Spring Balanced



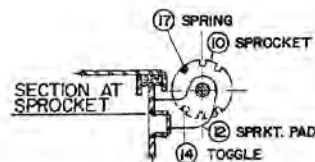
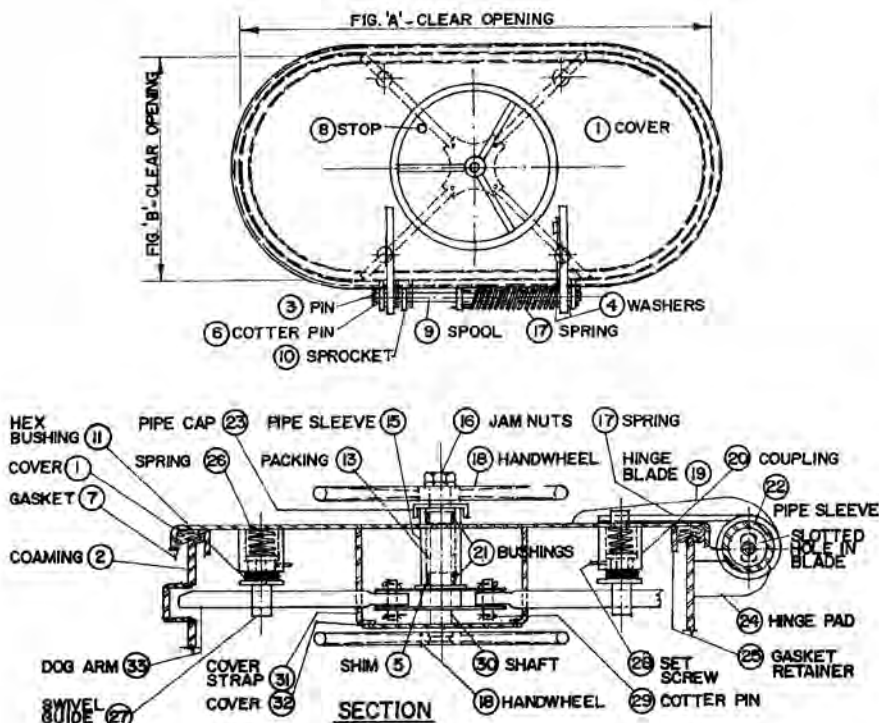
Custom Built Item - Specify Size

Drawing Number 214

Schedule Of Materials

Pc. No.	Material	Pc. No.	Material
1	Mild Steel	12	Mild Steel
2	Mild Steel	13	Frg. Steel
3	Mild Steel	14	Steel
4	Mild Steel	15	Delrin
5	Cold Finish	16	Neoprene
6	Brass	17	Mild Steel
7	Brass	18	Mild Steel
8	Mild Steel	19	Mild Steel
9	Frg. Steel	20	Mild Steel
10	Mild Steel	21	Spring Steel
11	Graphite		

Spring Balanced, Quick Acting Watertight Oval Hatch



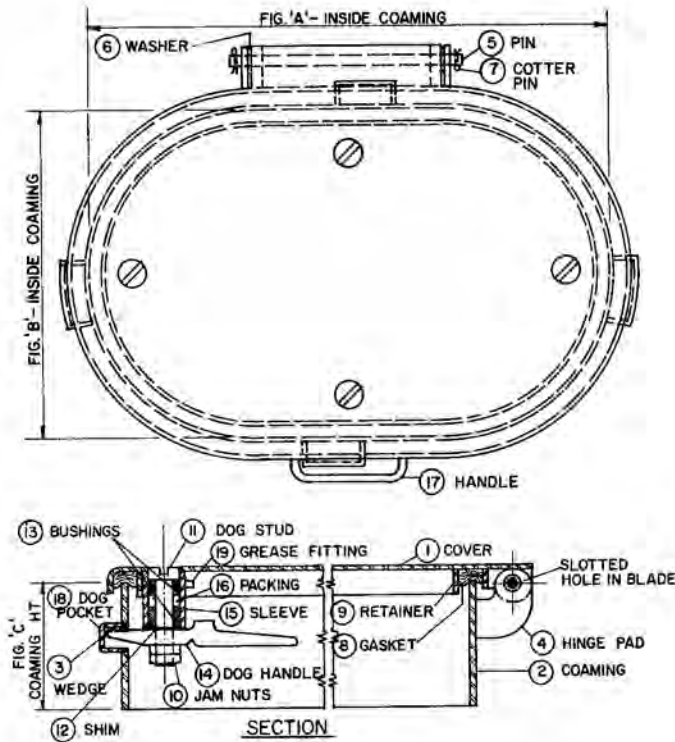
Drawing Number 215

Schedule Of Materials

Pc. No.	Material	Pc. No.	Material
1	Mild Steel	18	Mild Steel
2	Mild Steel	19	Mild Steel
3	Cold Finish	20	Steel
4	Brass	21	Delrin
5	Brass	22	Steel
6	Steel	23	Steel
7	Neoprene	24	Mild Steel
8	Mild Steel	25	Mild Steel
9	Mild Steel	26	Spring Steel
10	Mild Steel	27	Brass
11	Steel	28	Steel
12	Mild Steel	29	Steel
13	Graphite	30	Cold Finish
14	Mild Steel	31	Mild Steel
15	Steel	32	Mild Steel
16	Steel	33	Mild Steel
17	Spring Steel		

- Electronics
- Trolling Motors
- Instruments
- Electrical
- Lighting
- Anchor & Dock
- Safety
- Steering, Controls
- Pumps
- Fuel System
- Seating & Pedestals
- Trailing
- Tops & Covers
- Perform.
- Propellers
- Engine & Care
- Cleaning & Care
- Paint & Paint Acc.
- Fun & Flotation
- Topside Acc.
- Cockpit & Deck
- Hardware, Fasteners
- Camouflage
- Misc.

Flushed Raised Oval Hatch



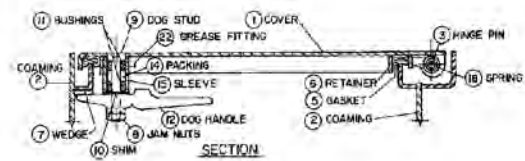
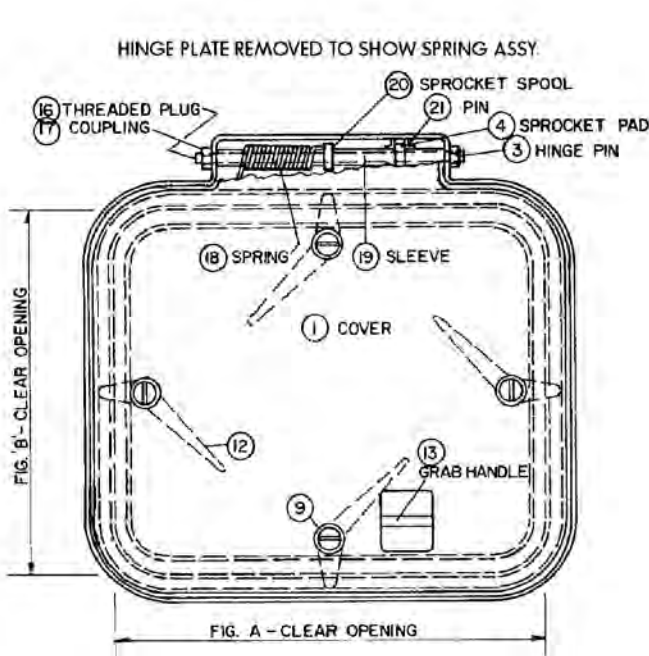
Custom Built Item - Specify Size

Drawing Number 216

Schedule Of Materials

Pc. No.	Material	Pc. No.	Material
1	Mild Steel	11	Brass
2	Mild Steel	12	Stainless
3	Frg. Steel	13	Delrin
4	Mild Steel	14	Manganese Brz.
5	Cold Finish	15	Cold Finish
6	Stainless	16	Graphite
7	Stainless	17	Mild Steel
8	Neoprene	18	Mild Steel
9	Mild Steel	19	Plated
10	Steel		

Watertight Flush Hatch with Spring Balanced Cover and Recessed Spring



Custom Built Item - Specify Size

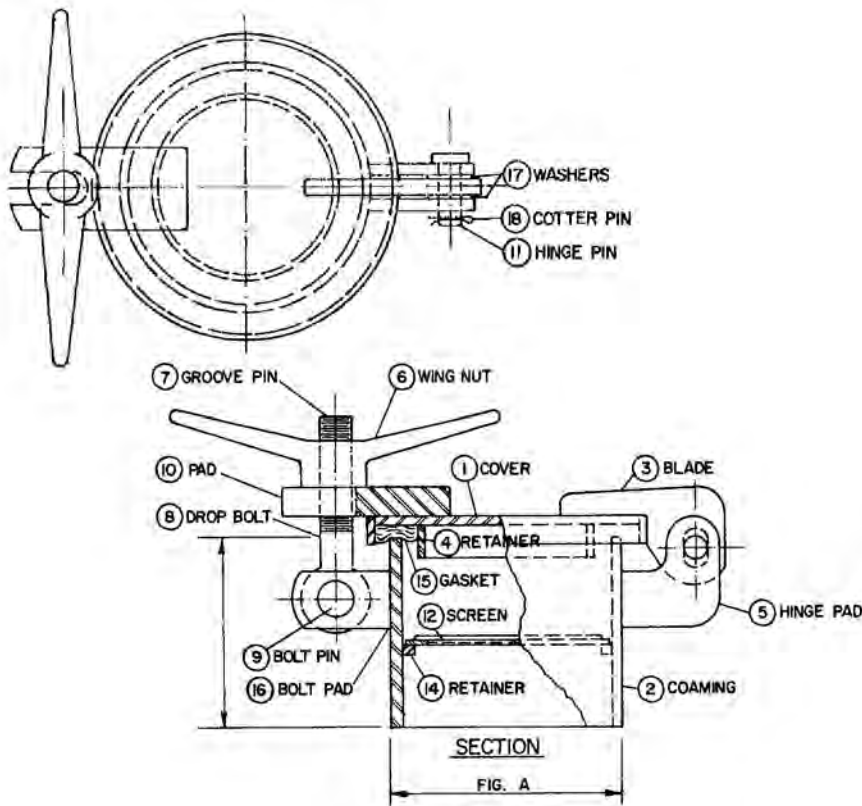
Drawing Number 217

Schedule Of Materials

Pc. No.	Material	Pc. No.	Material
1	Mild Steel	12	Manganese Brz.
2	Mild Steel	13	Mild Steel
3	Cold Finish	14	Graphite
4	Mild Steel	15	Mild Steel
5	Neoprene	16	Mild Steel
6	Mild Steel	17	Cold Finish
7	Frg. Steel	18	Spring Steel
8	Steel	19	Mild Steel
9	Brass	20	Mild Steel
10	Stainless	21	Mild Steel
11	Delrin	22	Plated

- Electronics
- Trolling Motors
- Instruments
- Electrical
- Lighting
- Anchor & Dock
- Safety
- Steering, Controls
- Pumps
- Fuel System
- Seating & Pedestals
- Trailer
- Tops & Covers
- Perform.
- Propellers
- Engine & Care
- Cleaning & Care
- Paint & Paint Acc.
- Fun & Flotation
- Topside Acc.
- Cockpit & Deck
- Hardware, Fasteners
- Camouflage
- Misc.

Ullage Hatch



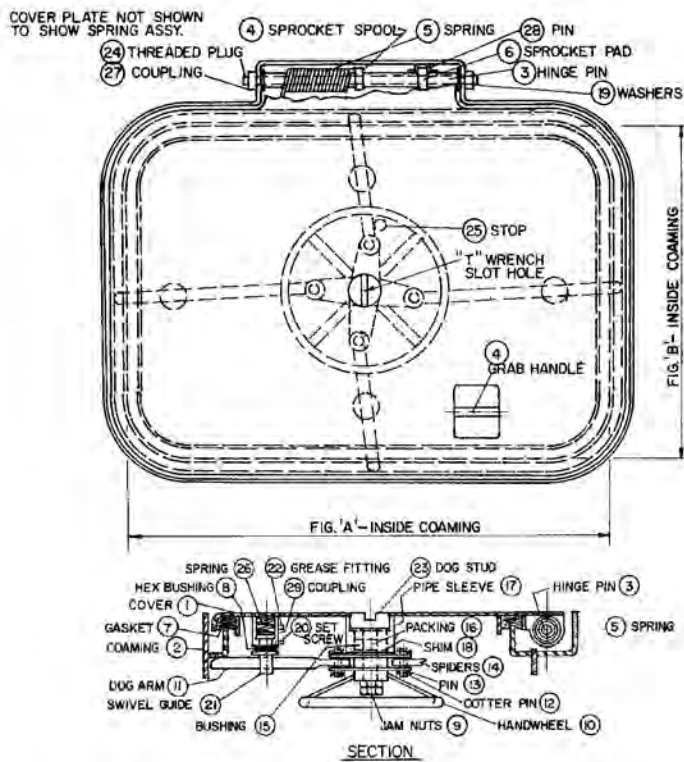
Custom Built Item - Specify Size

Drawing Number 218

Schedule Of Materials

Pc. No.	Material	Pc. No.	Material
1	Mild Steel	10	Mild Steel
2	Mild Steel	11	Brass
3	Mild Steel	12	Brass
4	Steel	13	Brass
5	Mild Steel	14	Mild Steel
6	Bronze	15	Neoprene
7	Stainless	16	Mild Steel
8	Bronze	17	Stainless
9	Brass	18	Stainless

Quick Acting Watertight Flush Hatch with Recessed Spring



Custom Built Item - Specify Size

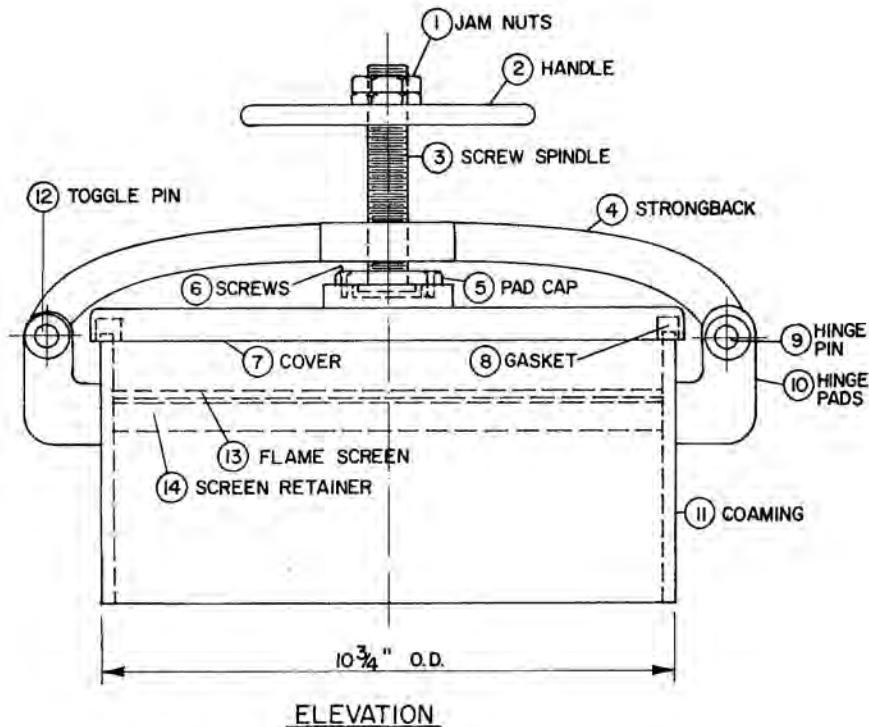
Drawing Number 219

Schedule Of Materials

Pc. No.	Material	Pc. No.	Material
1	Mild Steel	16	Graphite
2	Mild Steel	17	Cold Finish
3	Cold Finish	18	Stainless
4	Mild Steel	19	Stainless
5	Spring Steel	20	Mild Steel
6	Mild Steel	21	Brass
7	Neoprene	22	Plated
8	Mild Steel	23	Brass
9	Steel	24	Mild Steel
10	Aluminum	25	Mild Steel
11	Cold Finish	26	Spring Steel
12	Stainless	27	Mild Steel
13	Brass	28	Mild Steel
14	Mild Steel	29	Mild Steel
15	Delrin		

- Electronics
- Trolling Motors
- Instruments
- Electrical
- Lighting
- Anchor & Dock
- Safety
- Steering, Controls
- Pumps
- Fuel System
- Seating & Pedestals
- Trailing
- Tops & Covers
- Perform.
- Propellers
- Engine & Care
- Cleaning & Care
- Paint & Paint Acc.
- Fun & Flotation
- Topside Acc.
- Cockpit & Deck
- Hardware, Fasteners
- Camouflage
- Misc.

Ullage Hatch



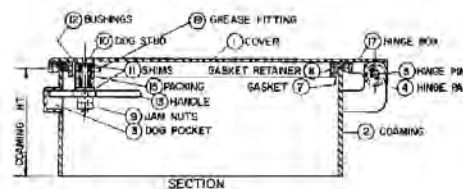
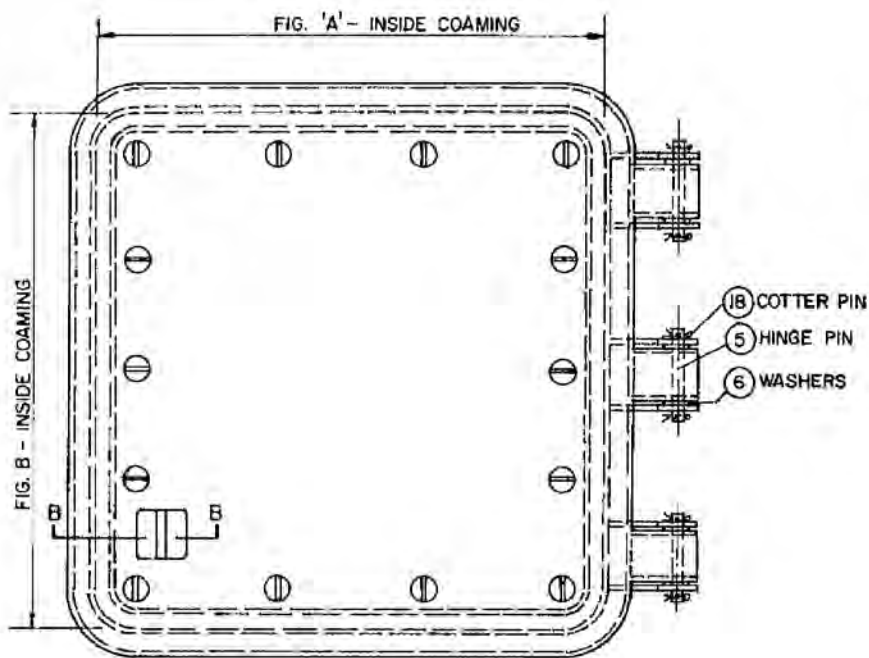
Custom Built Item - Specify Size

Drawing Number 220

Schedule Of Materials

Pc. No.	Material	Pc. No.	Material
1	Steel	8	Neoprene
2	Brass	9	Brass
3	Brass	10	Mild Steel
4	Brass	11	Mild Steel
5	Brass	12	Brass
6	Steel	13	Brass
7	Brass	14	Mild Steel

Watertight Rectangular Hatch



Custom Built Item - Specify Size

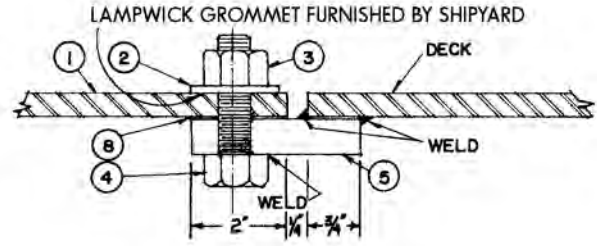
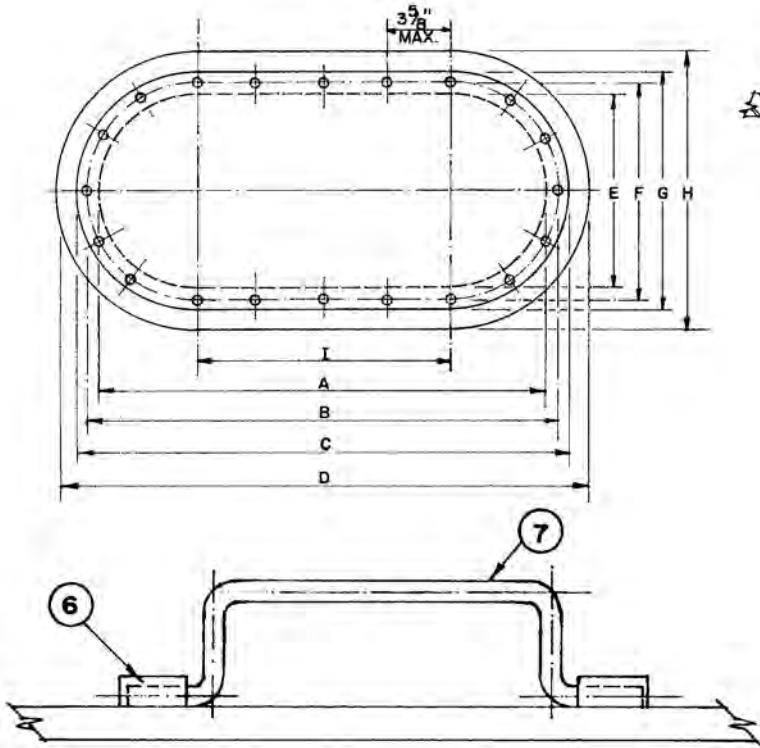
Drawing Number 221

Schedule Of Materials

Pc. No.	Material	Pc. No.	Material
1	Steel	11	Stainless
2	Steel	12	Delrin
3	Steel	13	Manganese Brz.
4	Steel	14	Steel
5	Cold Finish	15	Graphite
6	Stainless	16	Steel
7	Neoprene	17	Steel
8	Steel	18	Stainless
9	Steel	19	Plated
10	Brass		

- Electronics
- Trolling Motors
- Instruments
- Electrical
- Lighting
- Anchor & Dock
- Safety
- Steering, Controls
- Pumps
- Fuel System
- Seating & Pedestals
- Trailering
- Tops & Covers
- Perform.
- Propellers
- Engine & Care
- Cleaning & Care
- Paint & Paint Acc.
- Fun & Flotation
- Topside Acc.
- Cockpit & Deck
- Hardware, Fasteners
- Camouflage
- Misc.

Watertight Manhole Cover



Custom Built Item - Specify Size

Drawing Number 300

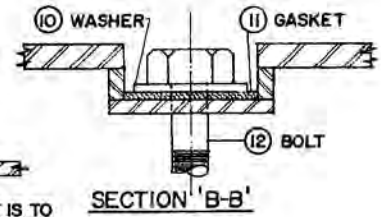
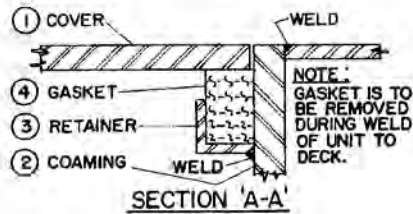
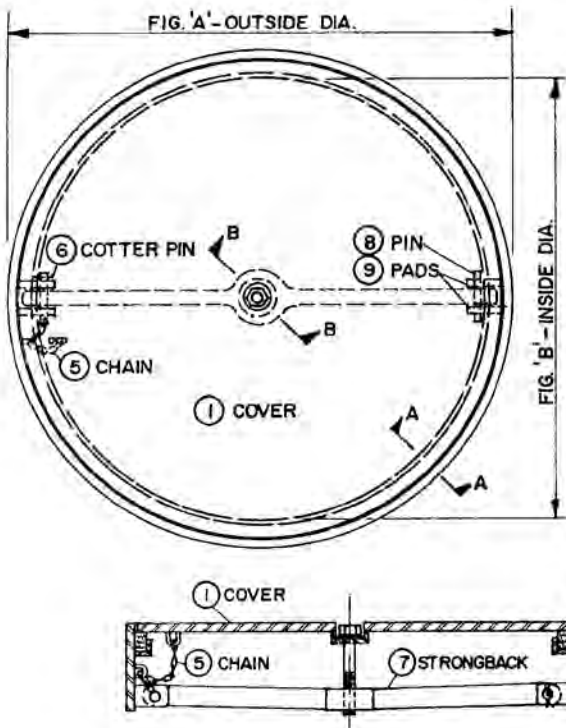
Schedule Of Materials

Pc. No.	Material	Pc. No.	Material
1	Steel	5	Steel
2	Plated Steel	6	Steel
3	Brass	7	Steel
4	Steel	8	Neoprene

Dimension Schedule

Clear Opening	A	B	C	D	E	F	G	H	I
15" x 23"	23"	24-1/4"	27"	29"	15"	16-1/4"	19"	21"	8"
18" x 24"	24"	25-1/4"	28"	30"	18"	19-1/4"	22"	24"	6"

Single Bolt Manhole



Custom Built Item - Specify Size

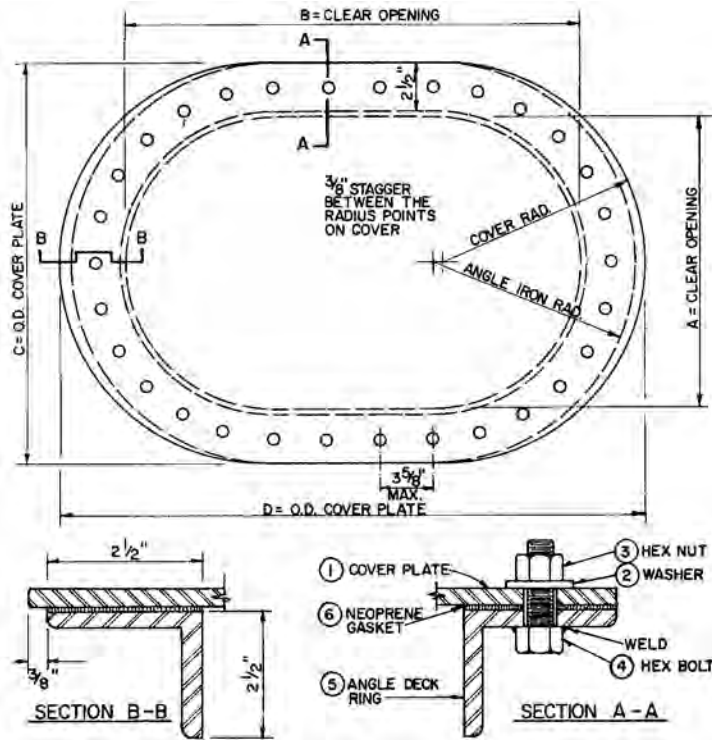
Drawing Number 301

Schedule Of Materials

Pc. No.	Material	Pc. No.	Material
1	Mild Steel	7	Mild Steel
2	Mild Steel	8	Cold Finish
3	Mild Steel	9	Mild Steel
4	Neoprene	10	Brass
5	Steel	11	Neoprene
6	Steel	12	Stainless

- Electronics
- Trolling Motors
- Instruments
- Electrical
- Lighting
- Anchor & Dock
- Safety
- Steering, Controls
- Pumps
- Fuel System
- Seating & Pedestals
- Trailering
- Tops & Covers
- Perform.
- Propellers
- Engine & Care
- Cleaning & Care
- Paint & Paint Acc.
- Fun & Flotation
- Topside Acc.
- Cockpit & Deck
- Hardware, Fasteners
- Camouflage
- Misc.

Raised Bolted Plate Manhole



Custom Built Item - Specify Size

Drawing Number 302

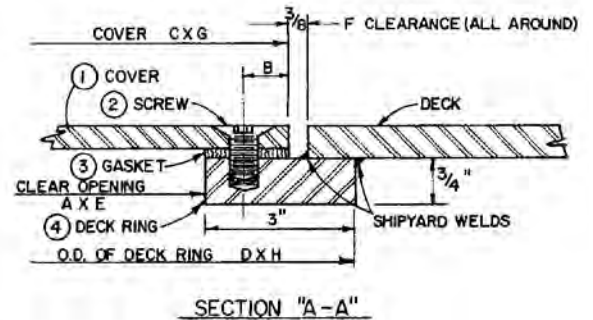
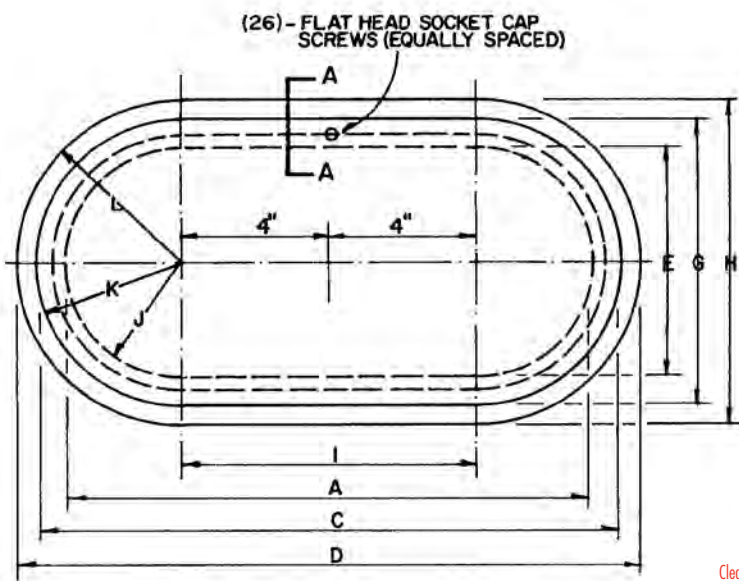
Schedule Of Materials

Pc. No.	Material	Pc. No.	Material
1	Steel	4	Plated Steel
2	Plated Steel	5	Steel
3	Plated Steel	6	Neoprene

Dimension Schedule

Clear Opening	A	B	C	D
15" x 23"	15"	23"	20"	28-3/4"
16" x 23"	16"	23"	21"	28-3/4"
18" x 24"	18"	24"	23"	29-3/4"

Flush Bolted Plated Manhole



Custom Built Item - Specify Size

Drawing Number 303

Schedule Of Materials

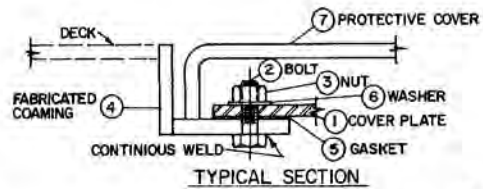
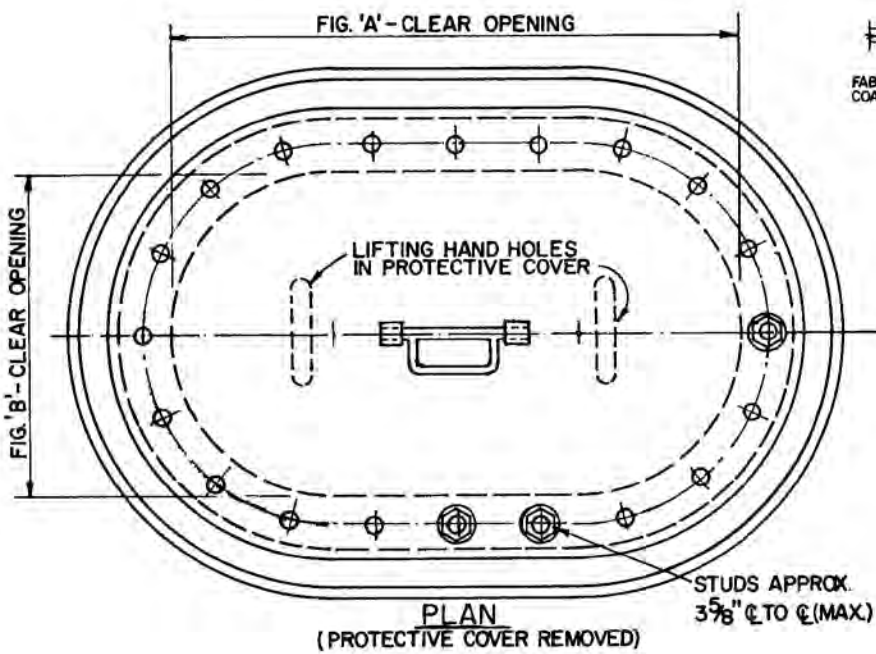
Pc. No.	Material	Pc. No.	Material
1	Steel	3	Neoprene
2	Stainless	4	Steel

Dimension Schedule

Clear Opening	A	B	C	D	E	F	G	H	I	J	K	L
15" x 23"	15"	1-1/8"	27"	29"	15"	3/8"	19"	21"	8"	7-1/2"	9-1/2"	10-1/2"

- Electronics
- Trolling Motors
- Instruments
- Electrical
- Lighting
- Anchor & Dock
- Safety
- Steering, Controls
- Pumps
- Fuel System
- Seating & Pedestals
- Trailer
- Tops & Covers
- Perform.
- Propellers
- Engine & Care
- Cleaning & Care
- Paint & Paint Acc.
- Fun & Flotation
- Topside Acc.
- Cockpit & Deck
- Hardware, Fasteners
- Camouflage
- Misc.

Covered Bolted Plate Manhole



Custom Built Item - Specify Size

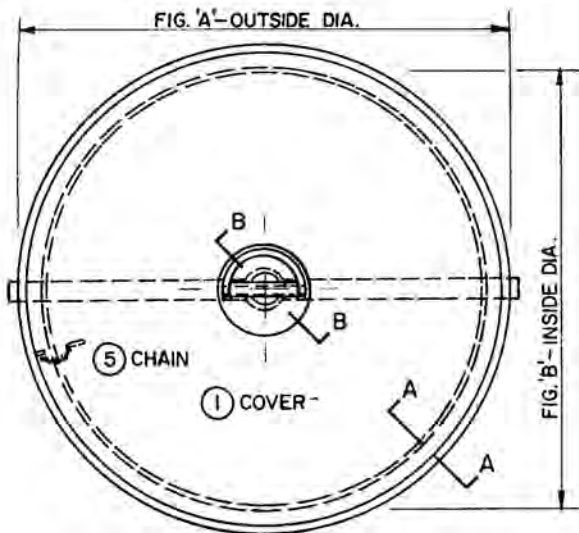
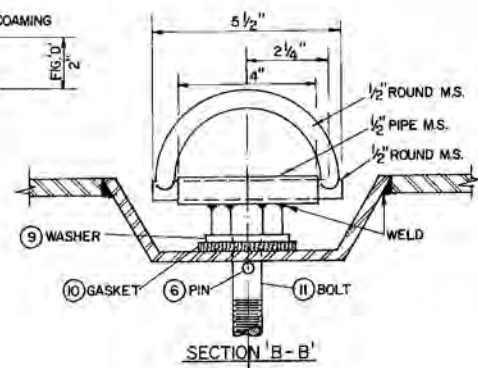
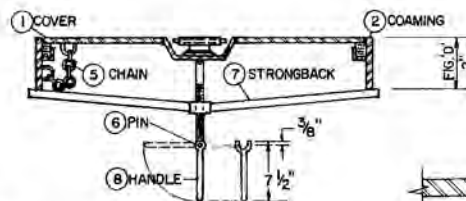
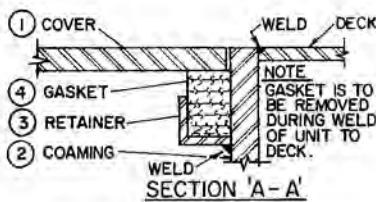
Drawing Number 304

Schedule Of Materials

Pc. No.	Material	Pc. No.	Material
1	Mild Steel	6	Plated
2	Mild Steel	7	Mild Steel
3	Brass	8	Mild Steel
4	Mild Steel	9	Mild Steel
5	Neoprene		

- Electronics
- Trolling Motors
- Instruments
- Electrical
- Lighting
- Anchor & Dock
- Safety
- Steering, Controls
- Pumps
- Fuel System
- Seating & Pedestals
- Trailing
- Tops & Covers
- Perform.
- Propellers
- Engine & Care
- Cleaning & Care
- Paint & Paint Acc.
- Fun & Flotation
- Topside Acc.
- Cockpit & Deck
- Hardware, Fasteners
- Camouflage
- Misc.

Single Bolt Manhole with Fold Down Handle



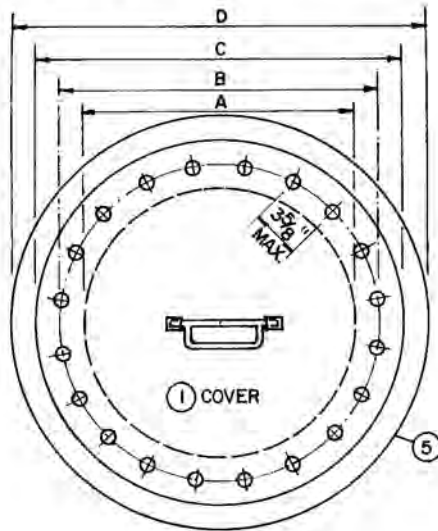
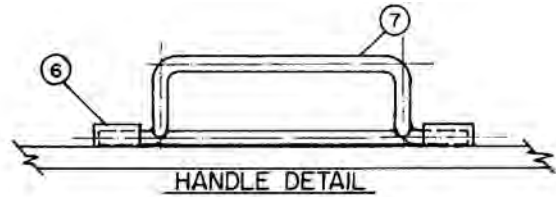
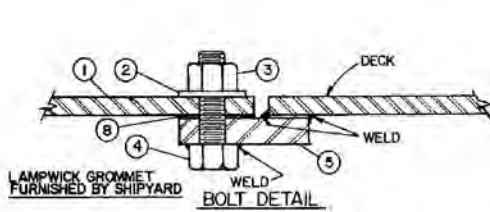
Custom Built Item - Specify Size

Drawing Number 305

Schedule Of Materials

Pc. No.	Material	Pc. No.	Material
1	Mild Steel	7	Mild Steel
2	Mild Steel	8	Mild Steel
3	Mild Steel	9	Stainless
4	Neoprene	10	Neoprene
5	Steel	11	Stainless
6	Stainless		

Watertight Manhole Cover



Custom Built Item - Specify Size

Drawing Number 306

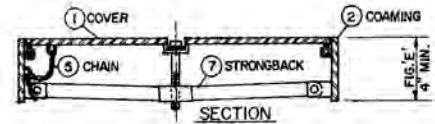
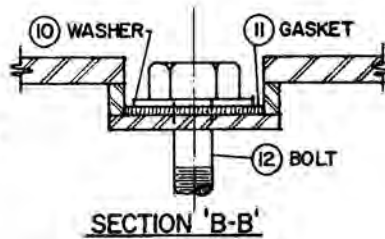
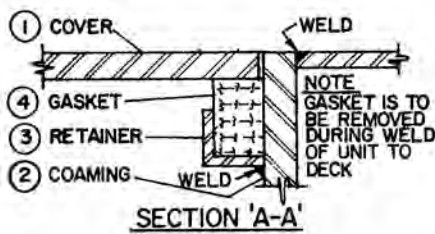
Schedule Of Materials

Pc. No.	Material	Pc. No.	Material
1	Steel	5	Steel
2	Plated Steel	6	Steel
3	Brass	7	Steel
4	Steel	8	Neoprene

Dimension Schedule

Clear Opening	A	B	C	D
18"	18"	19-3/4"	22"	22"
20"	20"	21-3/4"	24"	26"
22"	22"	23-3/4"	26"	28"
24"	24"	25-3/4"	28"	30"
26"	26"	27-3/4"	30"	32"

Oval Single Bolt Manhole



Custom Built Item - Specify Size

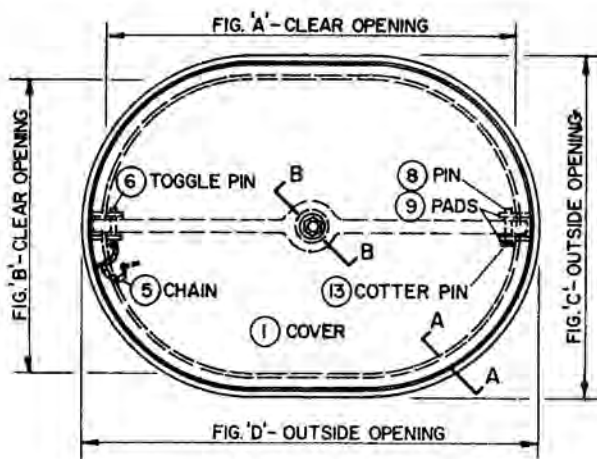
Drawing Number 307

Schedule Of Materials

Pc. No.	Material	Pc. No.	Material
1	Mild Steel	8	Steel
2	Mild Steel	9	Mild Steel
3	Mild Steel	10	Stainless
4	Neoprene	11	Neoprene
5	Steel	12	Stainless
6	Steel	13	Stainless
7	Mild Steel		

Dimension Schedule

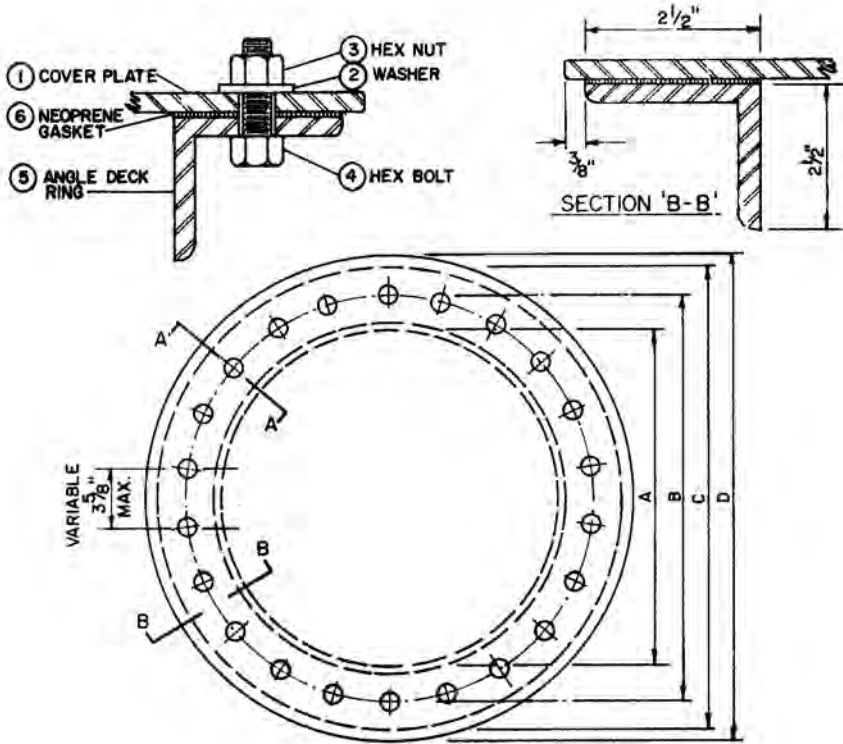
Clear Opening	A	B	C	D
15" x 23"	15"	23"	17-1/4"	25-1/4"
16" x 23"	16"	23"	18-1/4"	25-1/4"
18" x 24"	18"	24"	20-1/4"	26-1/4"



- Electronics
- Trolling Motors
- Instruments
- Electrical
- Lighting
- Anchor & Dock
- Safety
- Steering, Controls
- Pumps
- Fuel System
- Seating & Pedestals
- Trailer
- Tops & Covers
- Perform.
- Propellers
- Engine & Care
- Cleaning & Care
- Paint & Paint Acc.
- Fun & Flotation
- Topside Acc.
- Cockpit & Deck
- Hardware, Fasteners
- Camouflage
- Misc.

- Electronics
- Trolling Motors
- Instruments
- Electrical
- Lighting
- Anchor & Dock
- Safety
- Steering, Controls
- Pumps
- Fuel System
- Seating & Pedestals
- Trailering
- Tops & Covers
- Perform.
- Propellers
- Engine & Care
- Cleaning & Care
- Paint & Paint Acc.
- Fun & Flotation
- Topside Acc.
- Cockpit & Deck
- Hardware, Fasteners
- Camouflage
- Misc.

Round Raised Bolted Manhole



Custom Built Item - Specify Size

Drawing Number 308

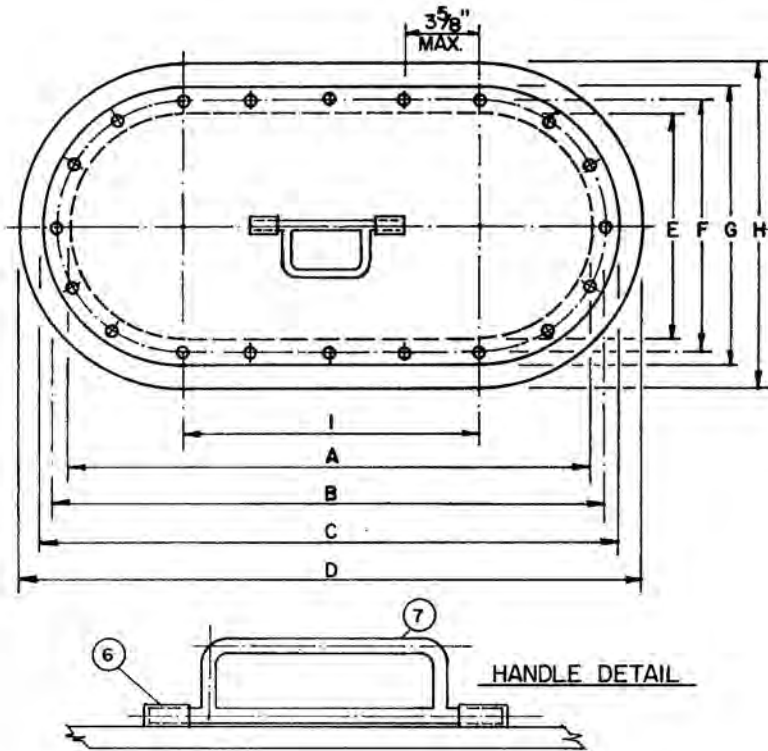
Schedule Of Materials

Pc. No.	Material	Pc. No.	Material
1	Steel	4	Mild Steel
2	Plated Steel	5	Steel
3	Plated Steel	6	Neoprene

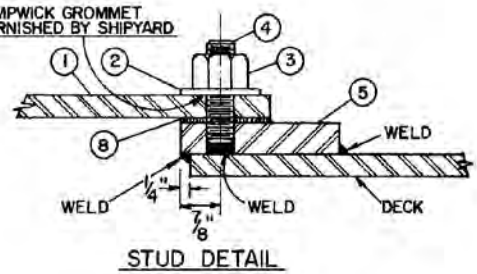
Dimension Schedule

No. Bolts	Clear Opening	A	B	C	D
22	18"	18"	20-3/4"	23"	23-3/4"
22	20"	20"	22-3/4"	25"	25-3/4"
22	22"	22"	24-3/4"	27"	27-3/4"
22	24"	24"	26-3/4"	29"	29-3/4"

Bolted Plate Manhole with Studs



LAMPWICK GROMMET FURNISHED BY SHIPYARD



Custom Built Item - Specify Size

Drawing Number 309

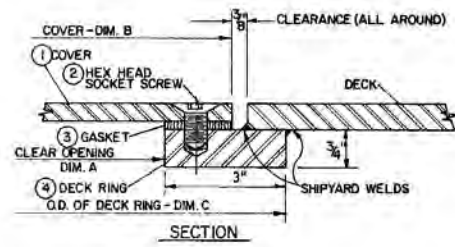
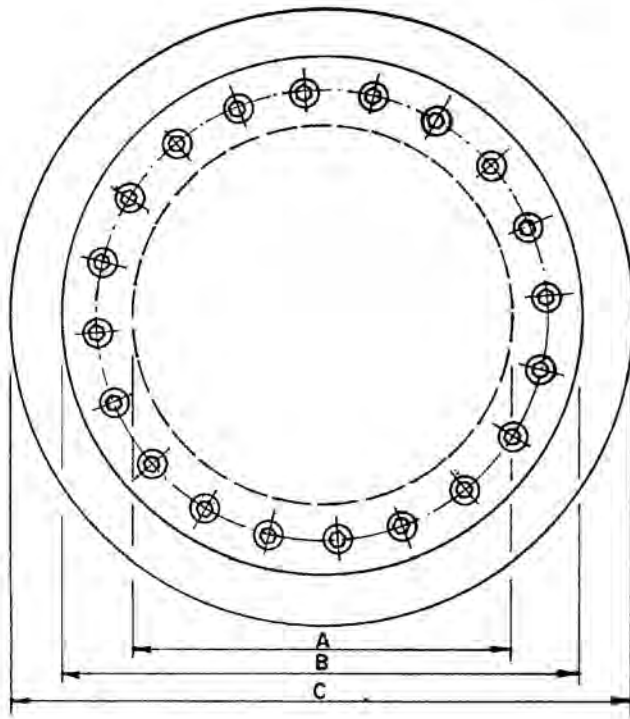
Schedule Of Materials

Pc. No.	Material	Pc. No.	Material
1	Steel	5	Steel
2	Plated Steel	6	Steel
3	Plated Steel	7	Steel
4	Mild Steel	8	Neoprene

Dimension Schedule

Clear Opening	A	B	C	D	E	F	G	H	I
15" x 23"	23"	23-3/4"	26-1/2"	29"	15"	16-3/4"	18-1/2"	21"	8"
18" x 24"	24"	25-1/4"	27-1/2"	30"	18"	19-1/4"	21-1/2"	24"	6"

Flush Bolted Plate Manhole



Custom Built Item - Specify Size

Drawing Number 310

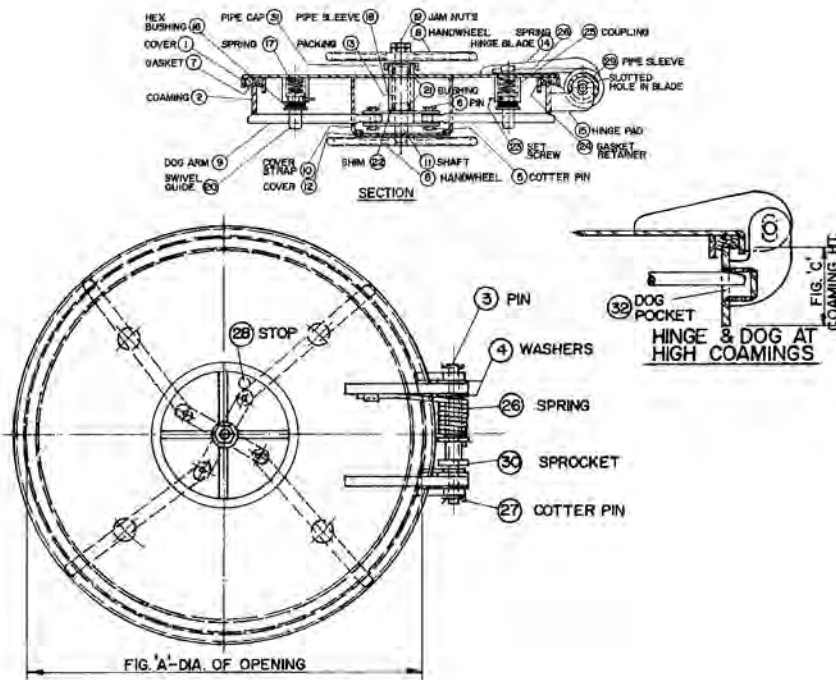
Schedule Of Materials

Pc. No.	Material	Pc. No.	Material
1	Steel	3	Neoprene
2	Stainless	4	Steel

Dimension Schedule

Clear Opening	A	B	C
18"	18"	21"	24"
20"	20"	24"	26"
22"	22"	26"	28"
24"	24"	28"	30"

Quick Acting Watertight Scuttle with Spring Balanced Cover



Custom Built Item - Specify Size

Drawing Number 400

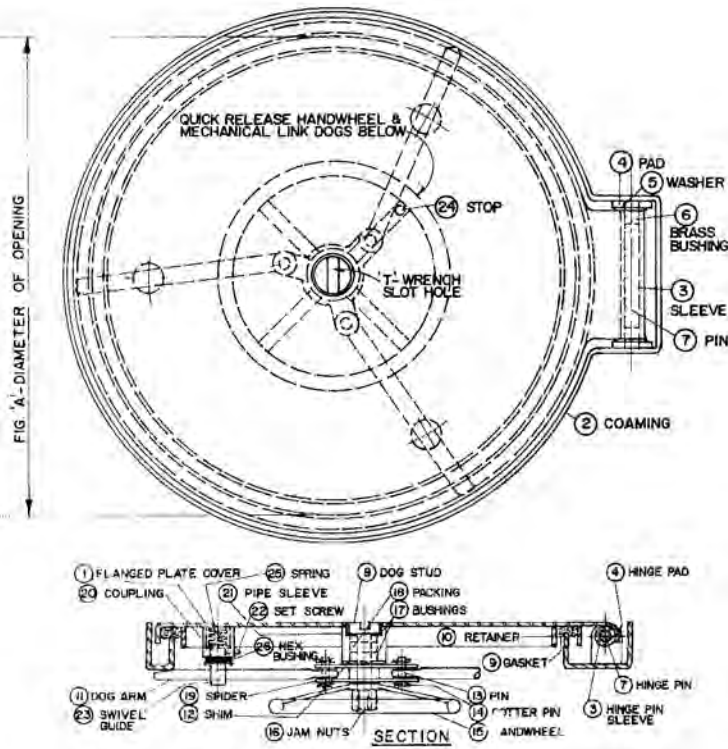
Schedule Of Materials

Pc. No.	Material	Pc. No.	Material
1	Mild Steel	17	Spring Steel
2	Mild Steel	18	Steel
3	Cold Finish	19	Steel
4	Brass	20	Brass
5	Mild Steel	21	Delrin
6	Cold Finish	22	Brass
7	Neoprene	23	Steel
8	Mild Steel	24	Mild Steel
9	Mild Steel	25	Steel
10	Mild Steel	26	Spring Steel
11	Cold Finish	27	Mild Steel
12	Mild Steel	28	Mild Steel
13	Graphite	29	Mild Steel
14	Mild Steel	30	Mild Steel
15	Mild Steel	31	Steel
16	Mild Steel	32	Mild Steel

- Electronics
- Trolling Motors
- Instruments
- Electrical
- Lighting
- Anchor & Dock
- Safety
- Steering, Controls
- Pumps
- Fuel System
- Seating & Pedestals
- Trailer
- Tops & Covers
- Perform.
- Propellers
- Engine & Care
- Cleaning & Care
- Paint & Paint Acc.
- Fun & Flotation
- Topside Acc.
- Cockpit & Deck
- Hardware, Fasteners
- Camouflage
- Misc.

- Electronics
- Trolling Motors
- Instruments
- Electrical
- Lighting
- Anchor & Dock
- Safety
- Steering, Controls
- Pumps
- Fuel System
- Seating & Pedestals
- Trailering
- Tops & Covers
- Perform.
- Propellers
- Engine & Care
- Cleaning & Care
- Paint & Paint Acc.
- Fun & Flotation
- Topside Acc.
- Cockpit & Deck
- Hardware, Fasteners
- Camouflage
- Misc.

Flush Quick Acting Watertight Round Scuttle



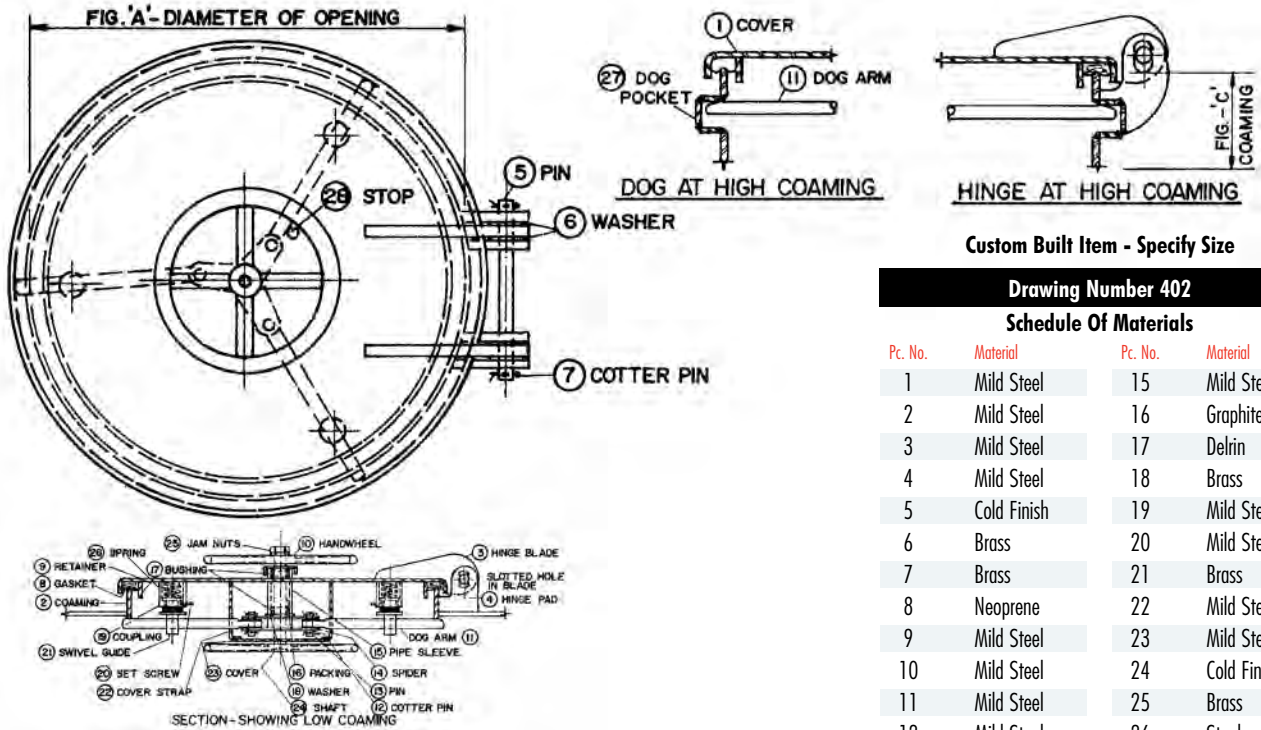
Custom Built Item - Specify Size

Drawing Number 401

Schedule Of Materials

Pc. No.	Material	Pc. No.	Material
1	Mild Steel	14	Mild Steel
2	Mild Steel	15	Mild Steel
3	Mild Steel	16	Mild Steel
4	Mild Steel	17	Delrin
5	Brass	18	Graphite
6	Brass	19	Mild Steel
7	Cold Finish	20	Mild Steel
8	Mild Steel	21	Mild Steel
9	Neoprene	22	Mild Steel
10	Mild Steel	23	Brass
11	Mild Steel	24	Mild Steel
12	Brass	25	Spring Steel
13	Cold Finish	26	Mild Steel

Quick Acting Watertight Round Scuttle with Three Dogs



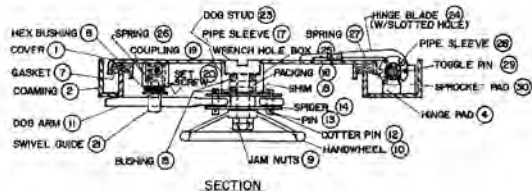
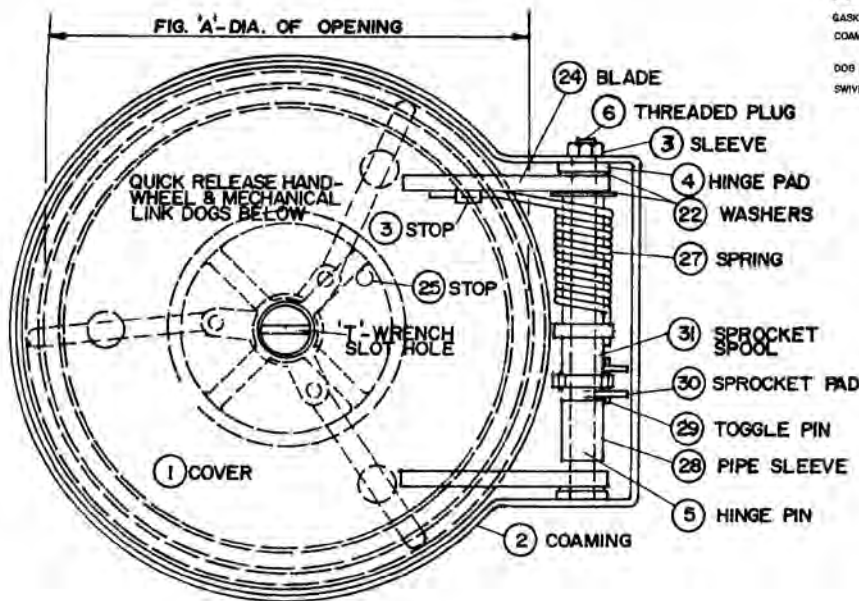
Custom Built Item - Specify Size

Drawing Number 402

Schedule Of Materials

Pc. No.	Material	Pc. No.	Material
1	Mild Steel	15	Mild Steel
2	Mild Steel	16	Graphite
3	Mild Steel	17	Delrin
4	Mild Steel	18	Brass
5	Cold Finish	19	Mild Steel
6	Brass	20	Mild Steel
7	Brass	21	Brass
8	Neoprene	22	Mild Steel
9	Mild Steel	23	Mild Steel
10	Mild Steel	24	Cold Finish
11	Mild Steel	25	Brass
12	Mild Steel	26	Steel
13	Cold Finish	27	Mild Steel
14	Mild Steel	28	Mild Steel

Quick Acting Watertight Flush Scuttle



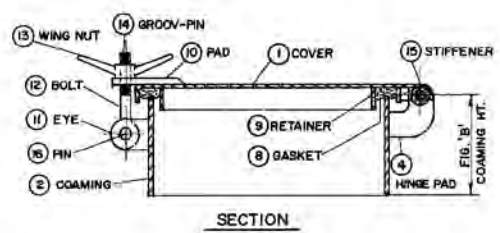
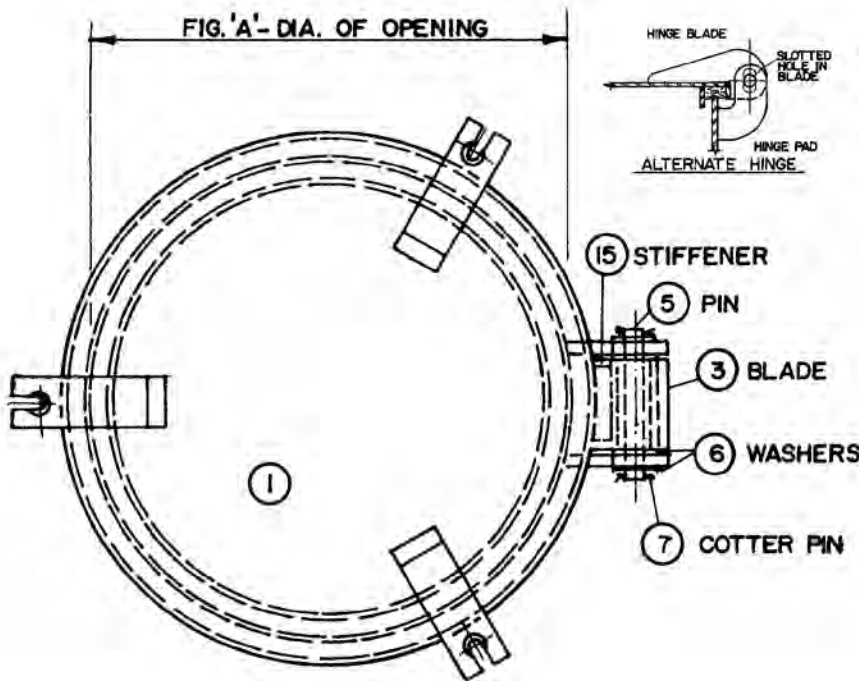
Custom Built Item - Specify Size

Drawing Number 403

Schedule Of Materials

Pc. No.	Material	Pc. No.	Material
1	Mild Steel	17	Mild Steel
2	Mild Steel	18	Brass
3	Mild Steel	19	Mild Steel
4	Mild Steel	20	Mild Steel
5	Cold Finish	21	Brass
6	Steel	22	Brass
7	Neoprene	23	Brass
8	Mild Steel	24	Mild Steel
9	Mild Steel	25	Mild Steel
10	Mild Steel	26	Spring Steel
11	Mild Steel	27	Mild Steel
12	Brass	28	Mild Steel
13	Cold Finish	29	Mild Steel
14	Mild Steel	30	Mild Steel
15	Delrin	31	Mild Steel
16	Graphite		

Watertight Scuttle with Drop Bolts



Custom Built Item - Specify Size

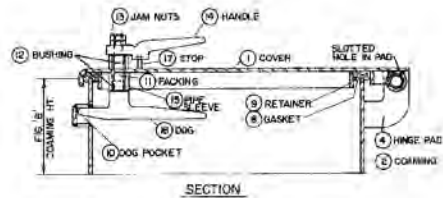
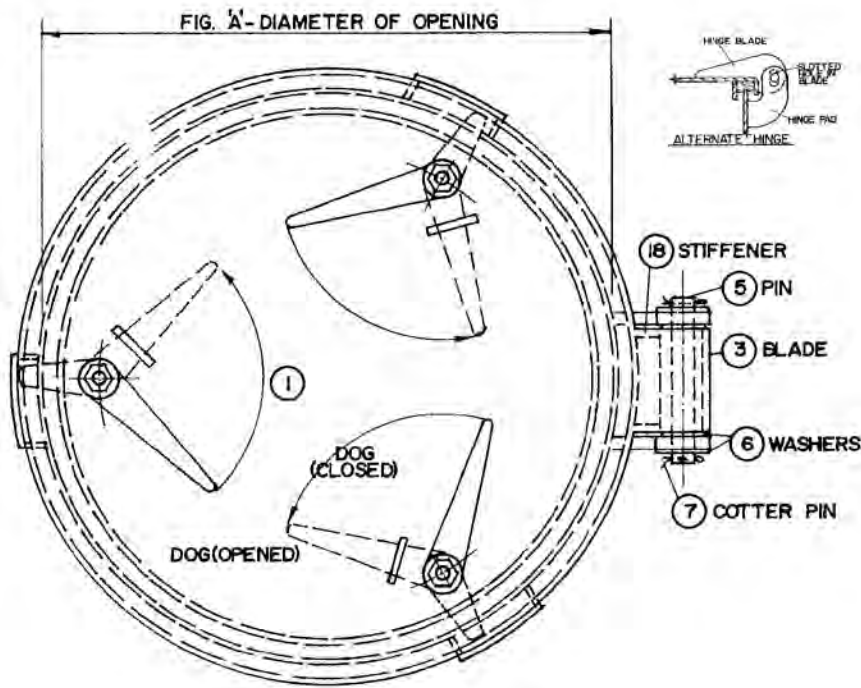
Drawing Number 404

Schedule Of Materials

Pc. No.	Material	Pc. No.	Material
1	Mild Steel	9	Mild Steel
2	Mild Steel	10	Mild Steel
3	Mild Steel	11	Mild Steel
4	Mild Steel	12	Bronze
5	Cold Finish	13	Bronze
6	Brass	14	Stainless
7	Brass	15	Mild Steel
8	Neoprene	16	Brass

- Electronics
- Trolling Motors
- Instruments
- Electrical
- Lighting
- Anchor & Dock
- Safety
- Steering, Controls
- Pumps
- Fuel System
- Seating & Pedestals
- Trailing
- Tops & Covers
- Perform.
- Propellers
- Engine & Care
- Cleaning & Care
- Paint & Paint Acc.
- Fun & Flotation
- Topside Acc.
- Cockpit & Deck
- Hardware, Fasteners
- Camouflage
- Misc.

Watertight Scuttle with Dogs



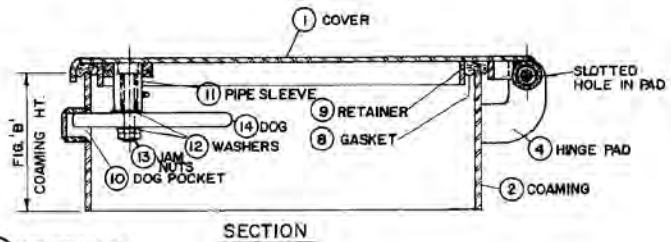
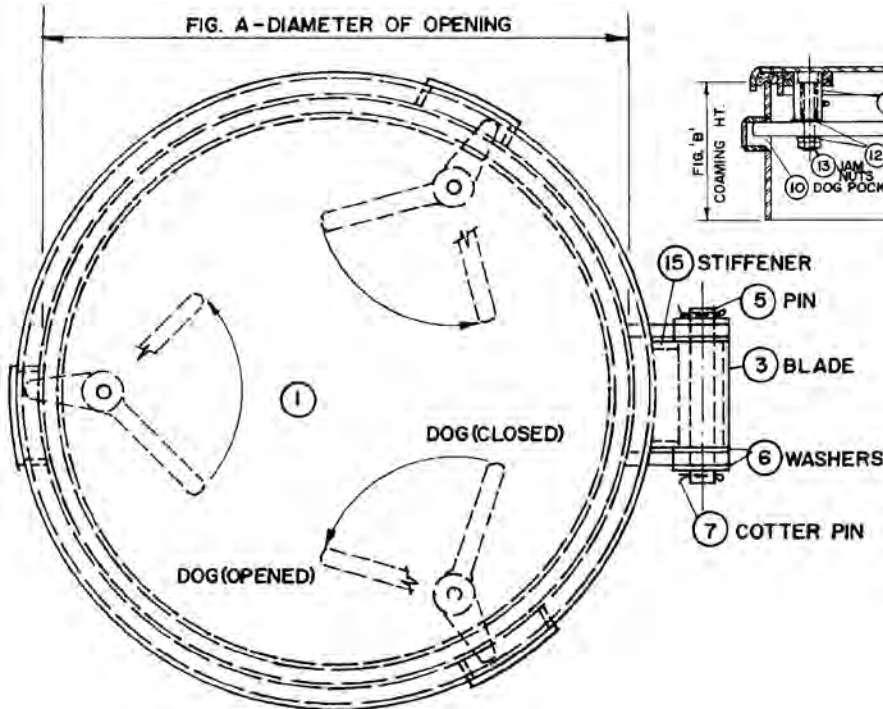
Custom Built Item - Specify Size

Drawing Number 405

Schedule Of Materials

Pc. No.	Material	Pc. No.	Material
1	Mild Steel	10	Mild Steel
2	Mild Steel	11	Graphite
3	Mild Steel	12	Delrin
4	Mild Steel	13	Steel
5	Cold Finish	14	Mild Steel
6	Brass	15	Mild Steel
7	Brass	16	Mild Steel
8	Neoprene	17	Mild Steel
9	Mild Steel	18	Mild Steel

Watertight Scuttle Operate Below Only



Custom Built Item - Specify Size

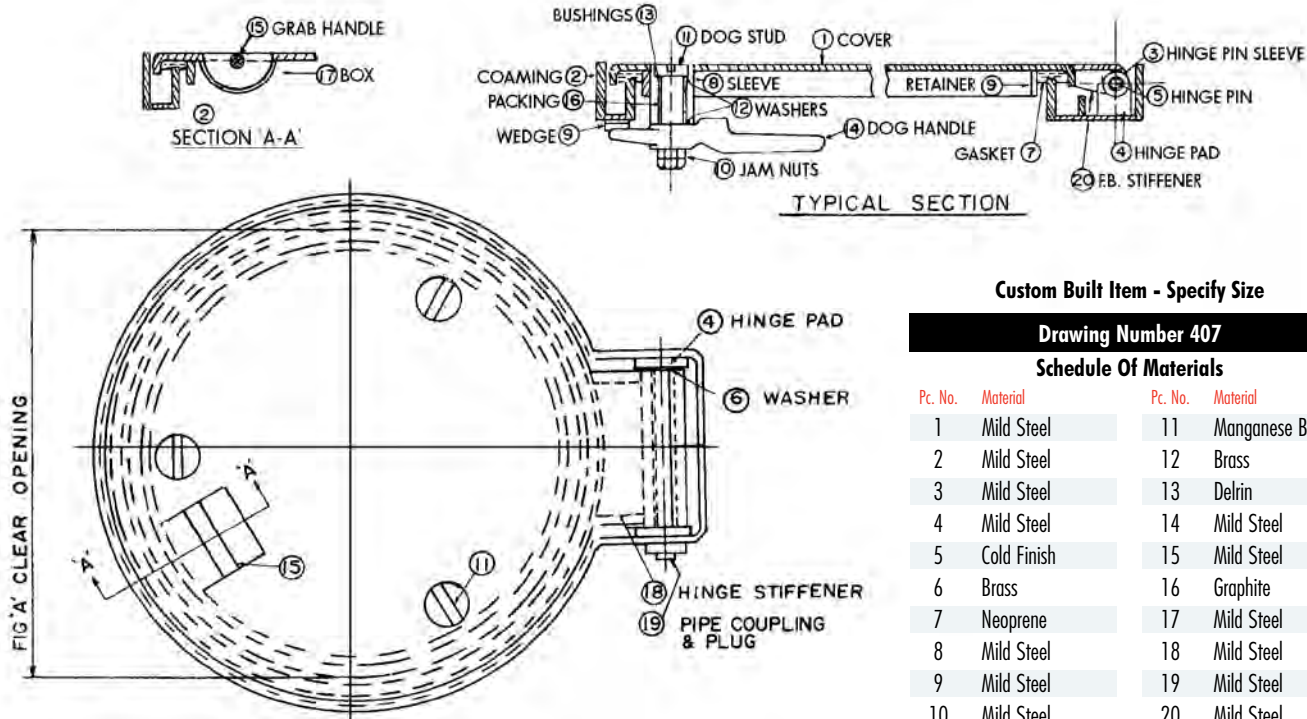
Drawing Number 406

Schedule Of Materials

Pc. No.	Material	Pc. No.	Material
1	Mild Steel	9	Mild Steel
2	Mild Steel	10	Mild Steel
3	Mild Steel	11	Mild Steel
4	Mild Steel	12	Brass
5	Cold Finish	13	Mild Steel
6	Brass	14	Manganese Brz.
7	Brass	15	Mild Steel
8	Neoprene		

- Electronics
- Trolling Motors
- Instruments
- Electrical
- Lighting
- Anchor & Dock
- Safety
- Steering, Controls
- Pumps
- Fuel System
- Seating & Pedestals
- Trailering
- Tops & Covers
- Perform.
- Propellers
- Engine & Care
- Cleaning & Care
- Paint & Paint Acc.
- Fun & Flotation
- Topside Acc.
- Cockpit & Deck
- Hardware, Fasteners
- Camouflage
- Misc.

Watertight Flush Scuttle



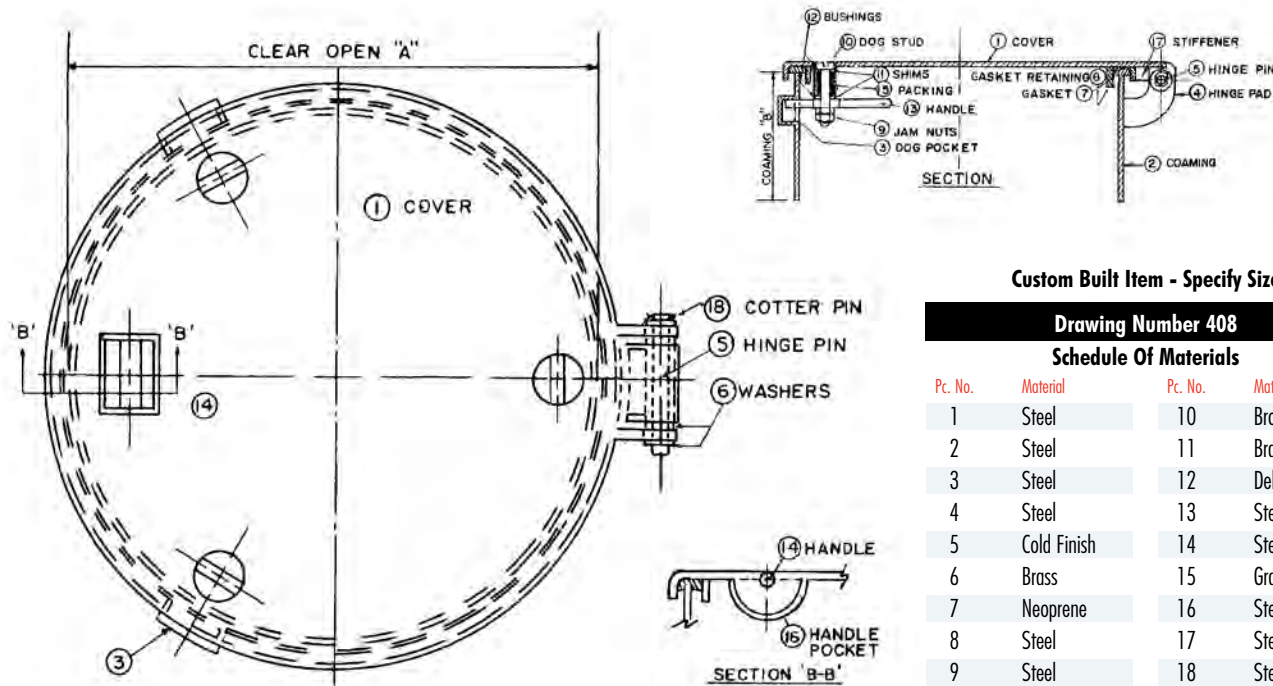
Custom Built Item - Specify Size

Drawing Number 407

Schedule Of Materials

Pc. No.	Material	Pc. No.	Material
1	Mild Steel	11	Manganese Brz.
2	Mild Steel	12	Brass
3	Mild Steel	13	Delrin
4	Mild Steel	14	Mild Steel
5	Cold Finish	15	Mild Steel
6	Brass	16	Graphite
7	Neoprene	17	Mild Steel
8	Mild Steel	18	Mild Steel
9	Mild Steel	19	Mild Steel
10	Mild Steel	20	Mild Steel

Watertight Raised Scuttle Flush Cover



Custom Built Item - Specify Size

Drawing Number 408

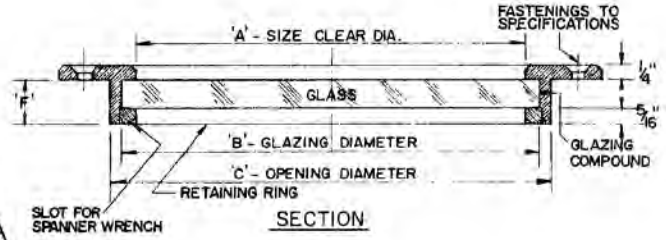
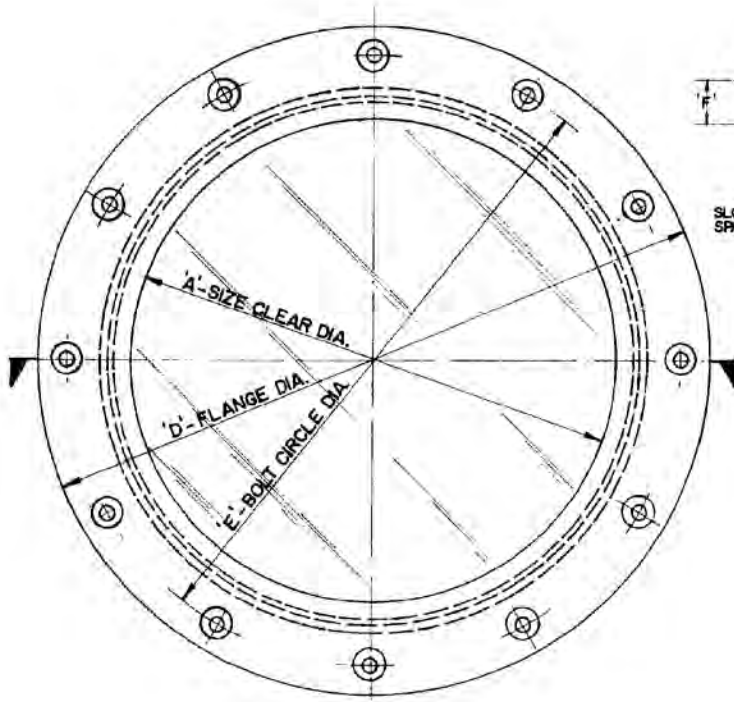
Schedule Of Materials

Pc. No.	Material	Pc. No.	Material
1	Steel	10	Bronze
2	Steel	11	Brass
3	Steel	12	Delrin
4	Steel	13	Steel
5	Cold Finish	14	Steel
6	Brass	15	Graphite
7	Neoprene	16	Steel
8	Steel	17	Steel
9	Steel	18	Steel

- Electronics
- Trolling Motors
- Instruments
- Electrical
- Lighting
- Anchor & Dock
- Safety
- Steering, Controls
- Pumps
- Fuel System
- Seating & Pedestals
- Trailering
- Tops & Covers
- Perform.
- Propellers
- Engine & Care
- Cleaning & Care
- Paint & Paint Acc.
- Fun & Flotation
- Topside Acc.
- Cockpit & Deck
- Hardware, Fasteners
- Camouflage
- Misc.

- Electronics
- Trolling Motors
- Instruments
- Electrical
- Lighting
- Anchor & Dock
- Safety
- Steering, Controls
- Pumps
- Fuel System
- Seating & Pedestals
- Trailing
- Tops & Covers
- Perform.
- Propellers
- Engine & Care
- Cleaning & Care
- Paint & Paint Acc.
- Fun & Flotation
- Topside Acc.
- Cockpit & Deck
- Hardware, Fasteners
- Camouflage
- Misc.

Plain Fixed Light



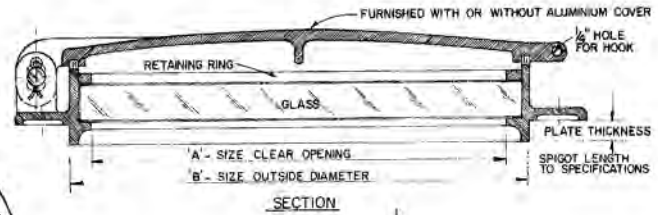
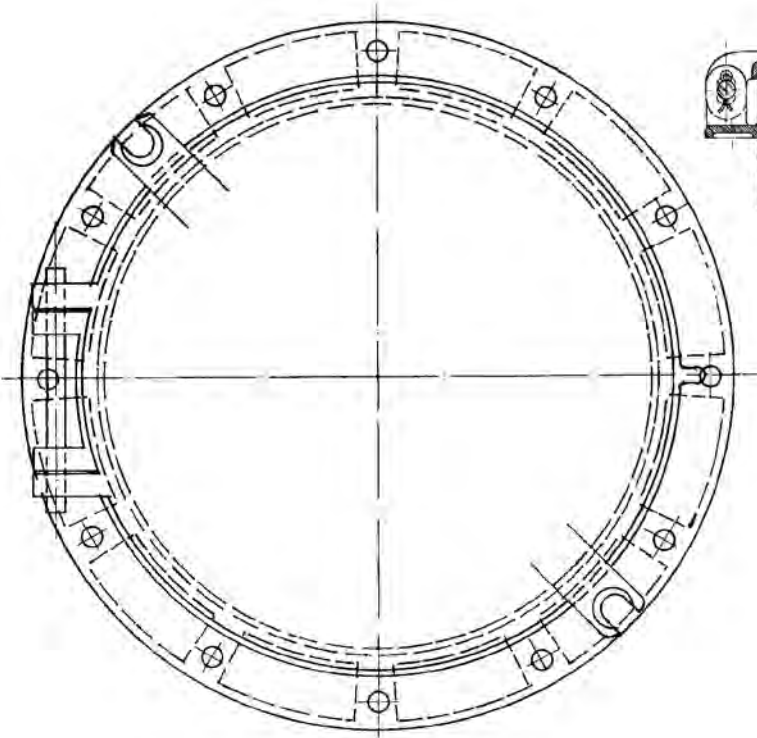
Custom Built Item - Specify Size

Drawing Number 500

Dimension Schedule

A	B	C	D	E	F
10"	10-1/2"	11-1/16"	13-1/4"	12-1/4"	1-1/16"
12"	12-1/2"	13"	15-3/16"	14-3/16"	1-1/4"
16"	16-1/2"	17"	19-1/2"	18-1/2"	1-3/8"

Reversed Fixed Light

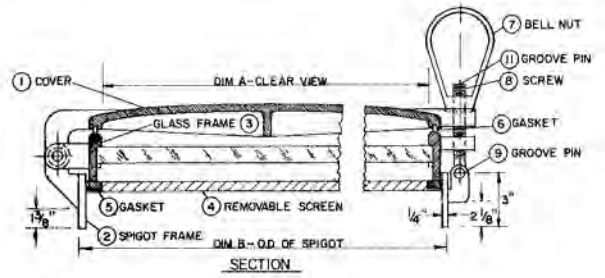
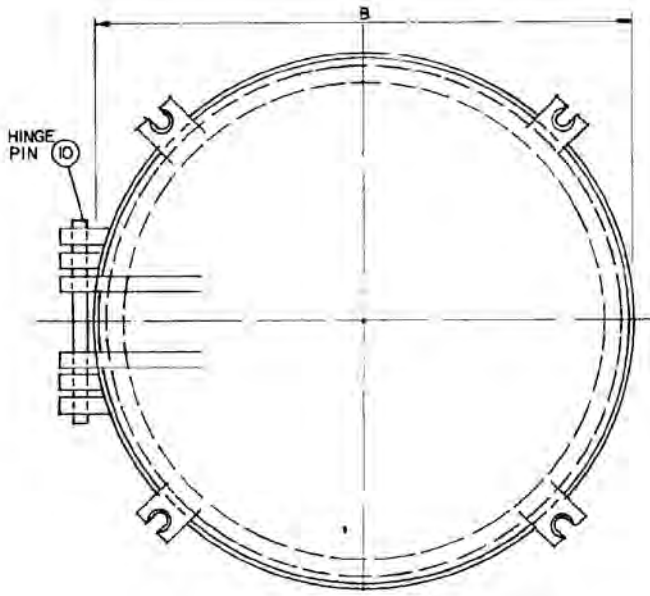


Custom Built Item - Specify Size

Drawing Number 600

A Size Clr. Op.	Spigot Max. Lt.	B Size O.S. Dia.	Ovall Dia.	Bolt Hole
10"	0-1/2"	11"	13-5/8"	5/16"
12"	0-1/2"	13-1/8"	15-7/8"	3/8"
16"	0-1/2"	17-1/4"	20-3/8"	1/2"

Steel Back Portlight – Weld In



Custom Built Item - Specify Size

Drawing Number 700

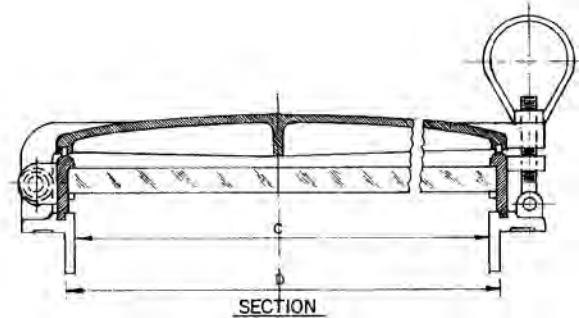
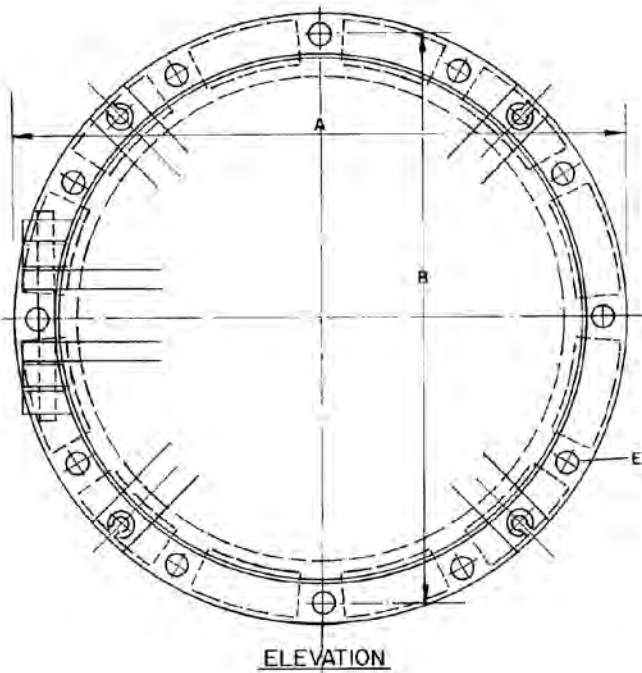
Schedule Of Materials

Pc. No.	Material	Pc. No.	Material
1	Aluminum	7	Brass
2	Steel	8	Brass
3	Brass	9	Stainless
4	Brass	10	Brass
5	Neoprene	11	Stainless
6	Neoprene		

Dimension Schedule

Size	12	14	16	18
A	12"	14"	26"	18"
B	23-1/2"	15-1/2"	17-1/2"	19-1/2"

Portlight - Bolt On



Custom Built Item - Specify Size

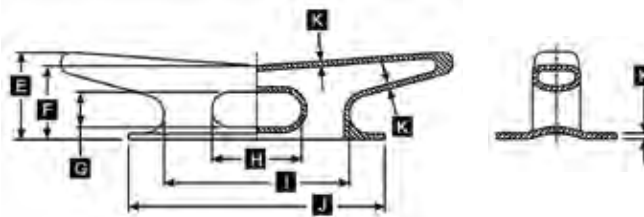
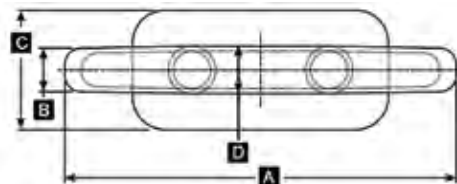
Drawing Number 800

Dimension Schedule

Size	10	12	14	16	18
A	14-1/4"	16"	18"	20-3/8"	22-3/4"
B	12-3/4"	14-3/4"	17"	18-7/8"	21-1/8"
C	10"	12"	14"	16"	18"
D	10-3/8"	12-3/8"	14-3/8"	16-1/2"	18-1/2"
E	1/2"	1/2"	1/2"	1/2"	1/2"

- Electronics
- Trolling Motors
- Instruments
- Electrical
- Lighting
- Anchor & Dock
- Safety
- Steering, Controls
- Pumps
- Fuel System
- Seating & Pedestals
- Trailering
- Tops & Covers
- Perform.
- Propellers
- Engine & Care
- Cleaning & Care
- Paint & Paint Acc.
- Fun & Flotation
- Topside Acc.
- Cockpit & Deck
- Hardware, Fasteners
- Camouflage
- Misc.

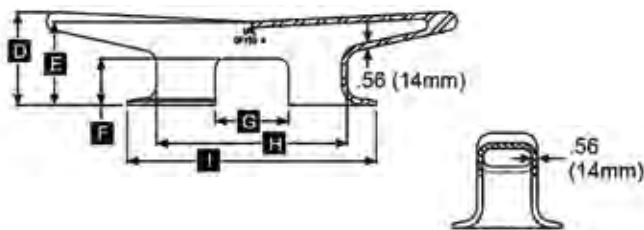
Kevel Checks - Cast Steel



- Made from ASTM A27 cast steel and are built to withstand the toughest conditions.
- No surface paint or finish to maintain quick, easy and safe weld-ability to the deck of any barge or workboat.
- Designed primarily to be used with line or wire for barge coupling, checking or mooring.
- They are typically placed along the gunnels of a barge or workboat.

Order No.	Similar to Nabrico Part #	A	B	C	D	E	F	G	H	I	J	K	Weight	List Price	
310083	DF-30	24"	3"	7.5"	4"	5.63"	5.13"	2.25"	3.25"	9"	10.5"	.5"	50 lbs.	\$167.39	CO-8224100
310095	N/A	30"	3.25"	9.5"	4"	7"	5.62	2.38"	6.88	14"	20.25"	.5	75 lbs.	\$248.59	CO-0311200
310108	DF-482	36"	4"	11"	5"	8"	6.75"	3.25"	8.25"	17"	23.5"	.56"	107 lbs.	\$355.19	CO-1910300
310110	DF-483	42"	4.75"	12.5"	6"	9"	7.88"	4.13"	9.63"	20"	26.75"	.53"	168 lbs.	\$491.49	CO-7771400
310122	DF-484	48"	5.5"	14"	7"	10"	9"	5"	11"	23"	30"	.65"	220 lbs.	\$639.09	CO-3234500

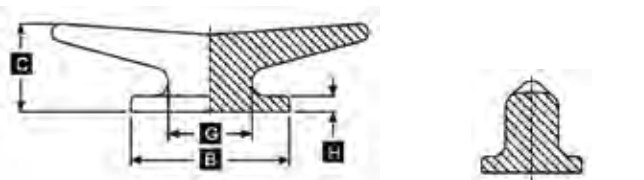
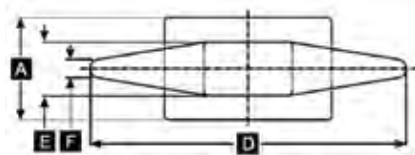
Kevels - Cast Steel



- Made from ASTM A27 cast steel and are built to withstand the toughest conditions.
- No surface paint or finish to maintain quick, easy and safe weld-ability to the deck of any barge or workboat.
- Designed primarily to be used with line or wire for barge coupling, checking, or mooring.
- They are typically placed along the gunnels of a barge or workboat.

Order No.	Similar to Nabrico Part #	A	B	C	D	E	F	G	H	I	Weight	List Price	
310033	DF-48A	36"	5"	10"	7.13"	5.88"	3.5"	5"	16.5"	22.5"	81 lbs.	\$266.59	CO-0662200
310045	DF-36A	42"	6"	11"	7.5"	6.5"	3.25"	7.5"	19.5"	25.5"	114 lbs.	\$375.59	CO-5291300
310057	DF-159A	48"	6.5"	11"	10"	8.75"	5"	8"	21"	27"	175 lbs.	\$510.79	CO-7143400

18" Kevel - Cast Steel



- Made from ASTM A27 cast steel and are built to withstand the toughest conditions.
- No surface paint or finish to maintain quick, easy and safe weld-ability to the deck of any barge or workboat.
- Designed primarily to be used with line for checking or mooring.
- They are typically placed along the gunnels of a push-boat/ tow-boat or along a dock.

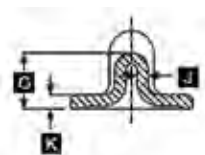
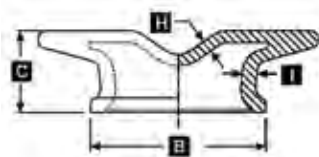
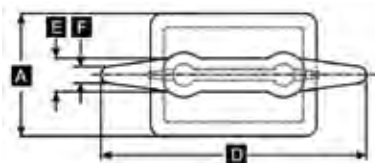
Order No.	Similar to Nabrico Part #	A	B	C	D	E	F	G	H	Weight	List Price	
310007	DF-518	5.5"	9"	5"	18"	2.88"	1"	4.75"	.88"	34 lbs.	\$113.89	CO-1869000

SPECIAL HANDLING MAY APPLY



- Electronics
- Trolling Motors
- Instruments
- Electrical
- Lighting
- Anchor & Dock
- Safety
- Steering, Controls
- Pumps
- Fuel System
- Seating & Pedestals
- Trailing
- Tops & Covers
- Perform.
- Propellers
- Engine & Care
- Cleaning & Care
- Paint & Paint Acc.
- Fun & Flotation
- Topside Acc.
- Cockpit & Deck
- Hardware, Fasteners
- Camouflage
- Misc.
- Comm.

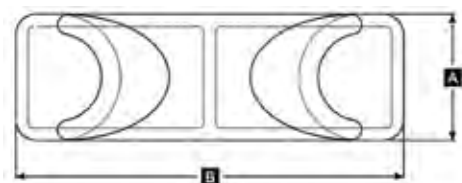
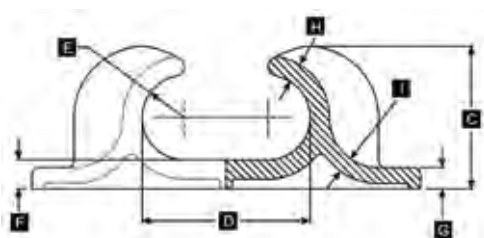
12" Kevel with Large Base - Cast Steel



- Made from ASTM A27 cast steel and are built to withstand the toughest conditions.
- No surface paint or finish to maintain quick, easy and safe weld-ability to the deck of any barge or workboat.
- Designed primarily to be used with line for checking or mooring.
- They are typically placed along the gunnels of a push-boat/ tow-boat or along a dock.

Order No.	Similar to Nabrico Part #	A	B	C	D	E	F	G	H	I	J	K	Weight	List Price	CO
309994	N/A	5.5"	7.5"	3.5"	12"	1.5"	.75"	2.5"	.5"	.63"	.5"	.63"	12 lbs.	\$50.69	CO-9034000

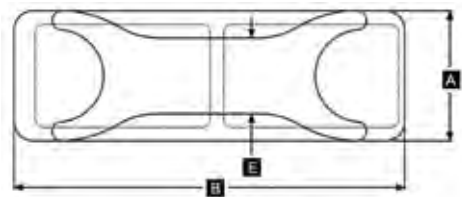
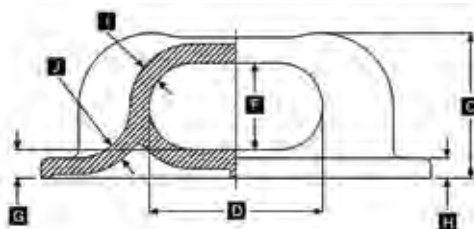
Open Chocks - Cast Steel



- Made from ASTM A27 cast steel and are built to withstand the toughest conditions.
- No surface paint or finish to maintain quick, easy and safe weld-ability to the deck of any barge or workboat.
- Designed for guiding line or wire onto or around another deck fitting.

Order No.	Similar to Nabrico Part #	A	B	C	D	E	F	G	H	I	Weight	List Price	CO
310259	DF-485	9"	27.75"	10.13"	12"	3" R	2.06"	1.5"	1.375"	1.125"	176 lbs.	\$514.39	CO-3273400
310261	DF-489	12"	36"	13.38"	16"	4" R	2.63"	2.63"	1.75"	1.5"	435 lbs.	\$1,137.19	CO-1666900

Closed Chocks - Cast Steel



- Made from ASTM A27 cast steel and are built to withstand the toughest conditions.
- No surface paint or finish to maintain quick, easy and safe weld-ability to the deck of any barge or workboat.
- Used for holding down line or wire by running it through the center of the chock. They secure line or wire close to the deck and eliminate the line or wire from "riding up" on a bit.

Order No.	Similar to Nabrico Part #	A	B	C	D	E	F	G	H	I	J	Weight	List Price	CO
310273	DF-480	9"	27.75"	10.13"	12"	5.25"	6"	2.06"	1.5"	1.375"	1.125"	176 lbs.	\$514.39	CO-3273400
310297	DF-490	12"	36"	13.38"	16"	7"	8"	2.63"	1.88"	1.75"	1.5"	455 lbs.	\$1,190.39	CO-3811010
310312	N/A	14"	42"	15.63"	18.75"	8.17"	9.38"	3.06"	2.19"	2"	1.75"	725 lbs.	\$1,684.99	CO-4223410

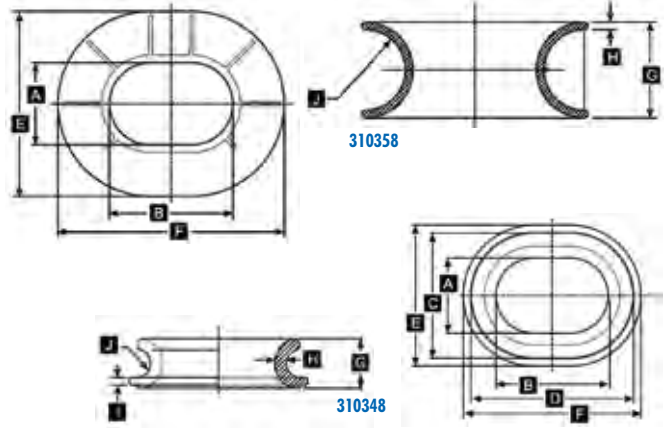
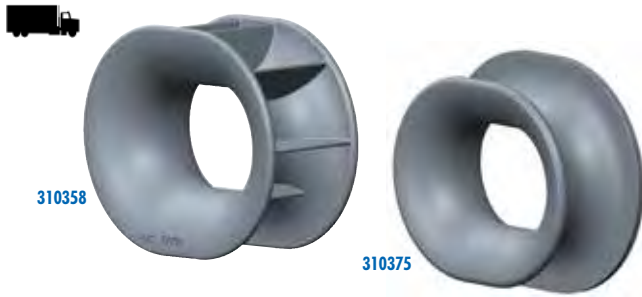


SPECIAL HANDLING MAY APPLY



- Electronics
- Trolling Motors
- Instruments
- Electrical
- Lighting
- Anchor & Dock
- Safety
- Steering, Controls
- Pumps
- Fuel System
- Seating & Pedestals
- Trailer
- Tops & Covers
- Perform.
- Propellers
- Engine & Care
- Cleaning & Care
- Paint & Paint Acc.
- Fun & Flotation
- Topside Acc.
- Cockpit & Deck
- Hardware, Fasteners
- Camouflage
- Misc.

Mooring Eyes - Cast Steel



- Made from ASTM A27 cast steel and are built to withstand the toughest conditions.
- No surface paint or finish to maintain quick, easy and safe weld-ability to the deck of any barge or workboat.
- Designed specifically to guide mooring lines on deck.
- They act as a guide to feed a line or wire in a particular direction while minimizing chaffing.
- They are typically welded to the bulwark of a vessel.

Electronics

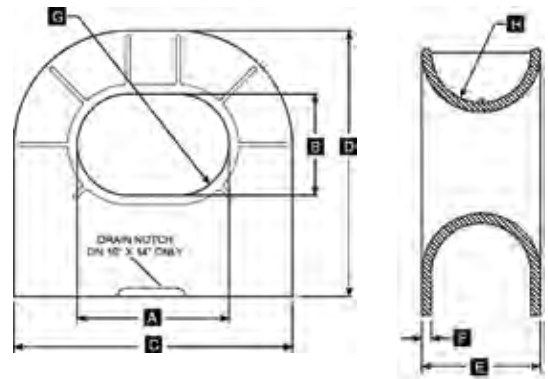
Trolling Motors

Instruments

Order No.	Similar to Nabrico Part #	A	B	C	D	E	F	G	H	I	J	Weight	List Price	
310348	DF-528	8"	12"	13.31"	19"	15"	17.5"	5.25"	1.25"	.75"	1.5" R	102 lbs.	\$346.89	CO-6849200
310358	N/A	12"	18"	N/A	N/A	27"	33"	14"	1.13"	N/A	5.88" R	467 lbs.	\$1,085.59	CO-5722900
310375	N/A												\$1,104.39	CO-3783900

Electrical

Panama Checks - Cast Steel



- Made from ASTM A27 cast steel and are built to withstand the toughest conditions.
- No surface paint or finish to maintain quick, easy and safe weld-ability to the deck of any barge or workboat.
- Designed specifically to guide mooring lines on deck.
- They act as a guide to feed a line or wire in a particular direction while minimizing chaffing.
- They are typically welded to the deck of a vessel.

Lighting

Anchor & Dock

Safety

Steering, Controls

Pumps

Fuel System

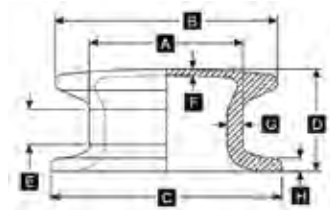
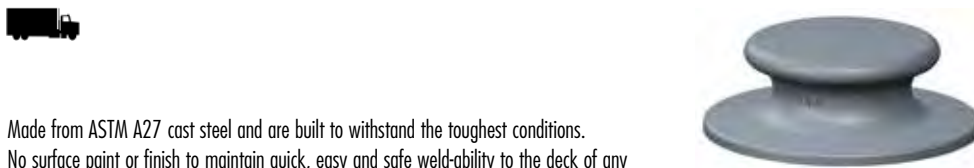
Seating & Pedestals

Order No.	Similar to Nabrico Part #	A	B	C	D	E	F	G	H	Weight	List Price	
310401	N/A	10"	14"	28"	27.25"	14"	.75"	5" R	5.5" R	335 lbs.	\$876.99	CO-4454700
310415	N/A	12"	18"	33"	31.5"	14"	1.13"	6" R	5.88" R	583 lbs.	\$1,364.49	CO-2895110

Trailing

Tops & Covers

Button Checks - Cast Steel



- Made from ASTM A27 cast steel and are built to withstand the toughest conditions.
- No surface paint or finish to maintain quick, easy and safe weld-ability to the deck of any barge or workboat.
- Designed primarily to hold or secure the eye of a line or wire when making up a tow.

Perform.

Propellers

Engine & Care

Cleaning & Care

Order No.	Similar to Nabrico Part #	A	B	C	D	E	F	G	H	Weight	List Price	
309751	DF-192	6"	8.5"	12"	4.13"	1.13"	.75"	.75"	.52"	38 lbs.	\$128.19	CO-6980100
309763	DF-473	8.6"	12.5"	13"	5.75"	2"	.38"	.88"	.75"	75 lbs.	\$249.59	CO-5121200
309787	DF-185	10"	15"	17"	8.5"	N/A	.5"	1"	.63"	144 lbs.	\$405.39	CO-8544300

Paint & Paint Acc.

Fun & Flotation

Topside Acc.

Button Check - Stainless Steel



- 304 stainless steel casting.

Order No.	Model	A	B	C	D	E	F	G	SWL	Weight	List Price	
3201010	ICF 565										\$1,540.00	AO-0004510

Cockpit & Deck

Hardware, Fasteners

Camouflage

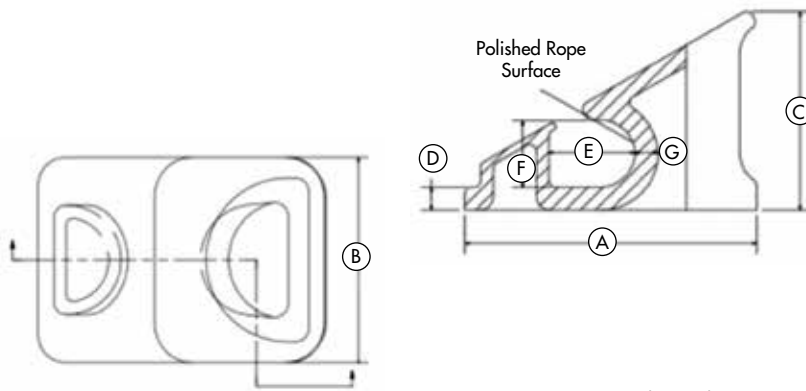
Misc.

Comm.

SPECIAL HANDLING MAY APPLY



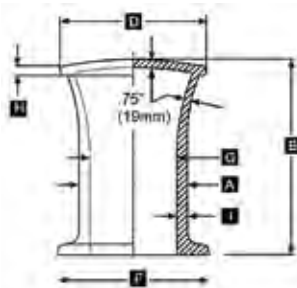
ICF Stainless Steel Chock



- 304 stainless steel casting.
- Passed X-ray meeting ASTM E-446 criteria and passed pull test.

Order No.	Model	A	B	C	D	E	F	G	SWL	List Price
3201000	ICF 460-3	16.38" 416 mm	11.75" 298.4 mm	10.99" 279.1 mm	1.3" 33 mm	4.43" 112.5 mm	3.53" 89.7 mm	1.5" 38.1 mm	75 S-tons	\$2,100.00 AO-0000120

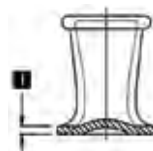
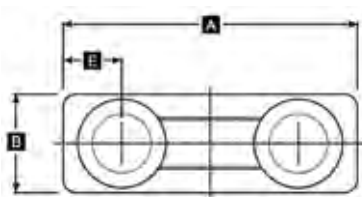
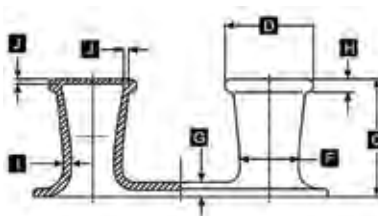
Single Bitt - Cast Steel



- Made from ASTM A27 cast steel and are built to withstand the toughest conditions.
- No surface paint or finish to maintain quick, easy and safe weld-ability to the deck of any barge or workboat.
- Designed primarily to be used with line or wire for barge coupling, checking, or mooring.

Order No.	Similar to Nabrico Part #	A	B	C	D	E	F	G	H	I	Weight	List Price
310158	DF-SB10	10"	18"	N/A	13.5"	N/A	14"	8"	1.46"	1"	190 lbs.	\$554.59 CO-0417400

Double Bitts - Cast Steel



- Made from ASTM A27 cast steel and are built to withstand the toughest conditions.
- No surface paint or finish to maintain quick, easy and safe weld-ability to the deck of any barge or workboat.
- Designed primarily to be used with line or wire for barge coupling, checking, or mooring.
- They are typically placed at the starboard and port corners of the bow and stern of a barge and along the gunnels of a push-boat/ tow-boat.

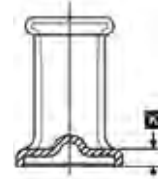
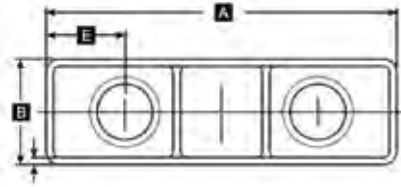
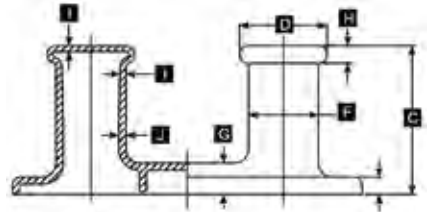
Order No.	Similar to Nabrico Part #	A	B	C	D	E	F	G	H	I	J	Weight	List Price
310209	DF-2	40"	14"	16"	11"	8"	7"	2"	2"	1.25"	.75"	320 lbs.	\$836.89 CO-6311700
310210	DF-40	45"	15"	18"	13.5"	9"	9"	2.25"	2"	1.25"	.75" R	574 lbs.	\$1,499.39 CO-8447210

SPECIAL HANDLING MAY APPLY



- Electronics
- Trolling Motors
- Instruments
- Electrical
- Lighting
- Anchor & Dock
- Safety
- Steering, Controls
- Pumps
- Fuel System
- Seating & Pedestals
- Trailer
- Tops & Covers
- Perform.
- Propellers
- Engine & Care
- Cleaning & Care
- Paint & Paint Acc.
- Fun & Flotation
- Topside Acc.
- Cockpit & Deck
- Hardware, Fasteners
- Camouflage
- Misc.
- Comm.

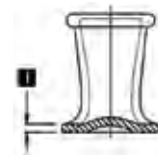
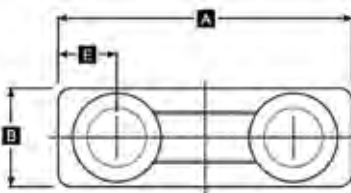
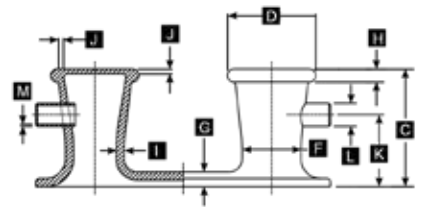
Large Double Bits - Cast Steel



- Made from ASTM A27 cast steel and are built to withstand the toughest conditions.
- No surface paint or finish to maintain quick, easy and safe weld-ability to the deck of any barge or workboat.
- Designed primarily to be used with line or wire for barge coupling, checking, or mooring.
- They are typically placed at the starboard and port corners of the bow and stern of a barge and along the gunnels of a push-boat/ tow-boat.

Order No.	Similar to Nabrico Part #	A	B	C	D	E	F	G	H	I	J	K	Weight	List Price	
310220	DF-491	60"	18"	25.5"	15"	13.5"	12"	5.4"	3"	1"	1.25"	3"	1,045 lbs.	\$2,728.89	CO-6591320
310233	DB-14	66"	21"	26.25"	17.5"	13"	14"	5.7"	3.5"	1"	1.5"	3.5"	1,596 lbs.	\$4,161.89	CO-1673530

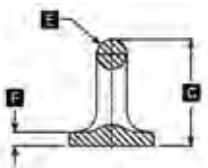
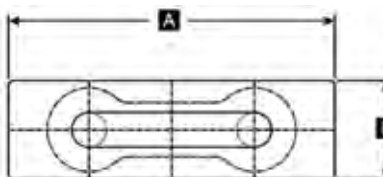
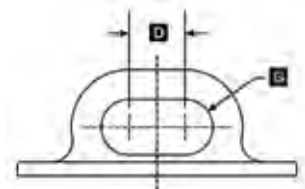
Double Bits with Horns - Cast Steel



- Made from ASTM A27 cast steel and are built to withstand the toughest conditions.
- No surface paint or finish to maintain quick, easy and safe weld-ability to the deck of any barge or workboat.
- Designed primarily to be used with line or wire for barge coupling, checking, or mooring.
- They are typically placed at the starboard and port corners of the bow and stern of a barge and along the gunnels of a push-boat/ tow-boat.
- Additionally, the Horns featured on these Double Bits prevent line or wire from "riding up" the bollard during a tow as well as allow for easy and controlled checking.

Order No.	A	B	C	D	E	F	G	H	I	J	K	L	M	Weight	List Price	
310247	40"	14"	16"	11"	8"	7"	2"	2"	1.25"	.72"	10"	3.5"	3"	331 lbs.	\$891.19	CO-1575700
310252	45"	15"	18"	13.5"	9"	9"	2.25"	2"	1.25"	.75" R	11"	3.5"	3"	579 lbs.	\$1,513.49	CO-7468210

D-Ring - Cast Steel



- Made from ASTM A27 cast steel and are built to withstand the toughest conditions.
- No surface paint or finish to maintain quick, easy and safe weld-ability to the deck of any barge or workboat.
- Designed to attach a barge connecting winch to a deck as well as to be used as a closed chock to guide line or wire onto or around a deck fitting.

Order No.	Similar to Nabrico Part #	A	B	C	D	E	F	G	Weight	List Price	
309826	N/A	20"	6"	7.63"	4"	2.13"	1"	2" R	60 lbs.	\$207.29	CO-0267100

SPECIAL HANDLING MAY APPLY



Electronics

Trolling Motors

Instruments

Electrical

Lighting

Anchor & Dock

Safety

Steering, Controls

Pumps

Fuel System

Seating & Pedestals

Trailer

Tops & Covers

Perform.

Propellers

Engine & Care

Cleaning & Care

Paint & Paint Acc.

Fun & Flotation

Topside Acc.

Cockpit & Deck

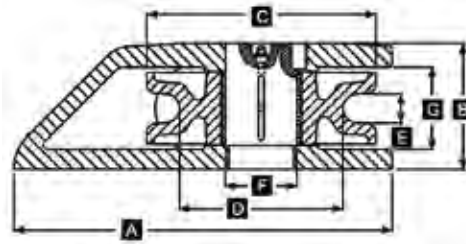
Hardware, Fasteners

Camouflage

Misc.

Comm.

Roller Chock - Cast Steel



- Made from ASTM A27 cast steel and are built to withstand the toughest conditions.
- No surface paint or finish to maintain quick, easy and safe weld-ability to the deck of any barge or workboat.
- Designed primarily for changing the direction of a line or wire while minimizing chaffing.
- They are typically placed on the pushboat/ towboat.

Order No.	Similar to Nabrico Part #	A	B	C	D	E	F	G	Weight	List Price
309575	DF-927	13"	4.33"	7.88"	5.63"	1"	2.44"	2.83"	50 lbs.	\$394.69 CO-9453300

Heavy Duty Thru-Deck Fabricated Roller Buttons



Order No.	Mfg. No.	Ton SWL	Throat Dia.	Weight	List Price
309540	(09400-101A)	16	6"	84 lbs.	\$659.99 CO-9906500
309544	(UMC-250C)	36	10"	207 lbs.	\$1,139.39 CO-8486900
309546	(09400-101D)	42	12"	273 lbs.	\$1,458.99 CO-4104210
309548	(09400-101E)	61	14"	410 lbs.	\$2,158.29 CO-5543810
309550	(UMC-400C)	78	16"	564 lbs.	\$3,022.09 CO-8786520
309552	(UMC-450C)	96	18"	770 lbs.	\$4,087.39 CO-8247430
309554	(UMC-500C)	138	20"	952 lbs.	\$5,013.69 CO-4616240

- Manufactured using a hot rolled high strength steel plate fabrication process rather than using a steel casting.
- Designed primarily for changing the direction of a line or wire while minimizing chaffing.
- They are typically placed on the pushboat/towboat or the line deck of a barge.

Roller Button Assemblies - Free-Rolling



309559



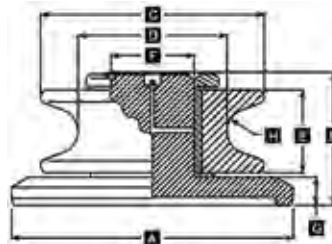
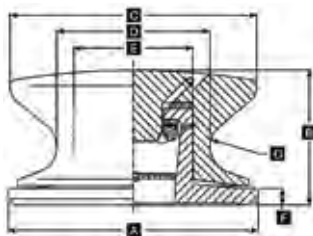
309561



309573



309586



- These are the finest high-load carrying, free-rolling roller buttons that have ever been designed and are manufactured in sizes to suit the needs of boats, seagoing tugs and ships.
- Precision machined parts have working parts coated with an extremely hard coating – 70 Rockwell C-Scale – which is corrosion resistant.
- The buttons will not freeze up as most do, because they are closed at the top.
- The air pocket formed on the inside, makes it practically impossible for water to enter the working parts.
- Before shipment, the roller buttons are completely lubricated and should need only occasional attention after installation and use.

Order No.	Similar to Nabrico Part #	A	B	C	D	E	F	G	H	Maximum Wire	Weight	List Price
309559	RB-11	12.5"	5.29"	11"	8"	5.5"	1"	.78" R		3/4"	100 lbs.	\$696.39 CO-3919500
309561	RB-12	16.65"	6.8"	12.5"	7.75"	6"	.83"	1.33" R		1"	136 lbs.	\$958.79 CO-7941800
309573	RB-15	14.86"	7.88"	15"	9.25"	7"	1"	1.56" R		1-1/4"	235 lbs.	\$1,475.79 CO-2445210
309586	1048	17"	8.03"	13.5"	9"	5"	5"	1.7"	1.38" R	1-1/4"	250 lbs.	\$1,603.69 CO-4136310



SPECIAL HANDLING MAY APPLY



- Electronics
- Trolling Motors
- Instruments
- Electrical
- Lighting
- Anchor & Dock
- Safety
- Steering, Controls
- Pumps
- Fuel System
- Seating & Pedestals
- Trailering
- Tops & Covers
- Perform.
- Propellers
- Engine & Care
- Cleaning & Care
- Paint & Paint Acc.
- Fun & Flotation
- Topside Acc.
- Cockpit & Deck
- Hardware, Fasteners
- Camouflage
- Misc.

Self-Aligning Roller Chock



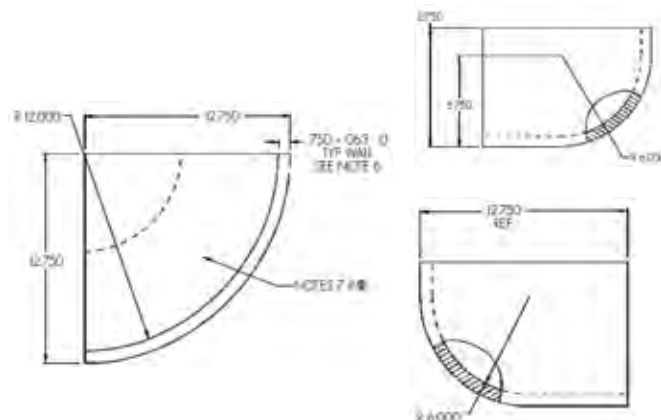
Roller Button



- Their unique design features a substantial base that simply won't yield under pressure, and they're made of a high-strength plastic that's nearly indestructible.
- Tested extensively at high-cycle rates that mimic real life, they've been proven to 50 tons.
- Broken roller buttons lead to downtime, hotwork, decreased productivity - and lower profits.
- Rated load: 50 tons.
- Working line load: 50,000 lbs.

Order No.	Mfg. No. / Description	List Price	
528199	(SRB-50-SS)	\$2,231.00	BO-0970020

Barge Corner Square - 49 lbs.



Order No.	Description	Price
S/O	Left Hand	Price On Request
S/O	Right Hand	Price On Request

- Effectively utilized for both face wires and wing wires, the Patterson line of S.A.R.C.'s include all of the features: Optimized sheave materials for both synthetic rope and steel cable, rounded edges to minimize wear points and corrosion resistant construction utilizing stainless steel and protective coatings for extended life.
- Horizontal Alignment Mounting System: In the past, similar types of chocks could only align vertically. This helped extend the life of the rope, but allowed for dangerous side loading that could lead to permanent yielding of the product causing it to become non-functional, or worse, catastrophic failure. The S.A.R.C. becomes the first truly self aligning design, as the entire unit always orients itself to the center of the line pull, both vertically and horizontally, regardless of the angle.
- Spring Loaded Vertical Assist: The protection of your rope is critical, both to ensure safe operating conditions and to minimize the replacement cost of this expensive consumable. Using a super high strength torsion spring mechanism, we effectively eliminate the majority of the weight of the sheave housing, allowing your chock to begin aligning with little to no line tension, even when using ultra light synthetic rope. This eliminates abrasion by keeping the rope where it belongs: in the sheave.

RATED LOAD: 40 TONS. WORKING LINE LOAD: 40,000 LBS.			
Order No.	Mfg. No. / Description	List Price	
528194	(SARC-40) Rope Diameter: 1"	\$4,547.00	BO-0329040

U.S. Tape Double Duty Gauging Tapes



- A chrome plated blade with a black strip along the bottom edge making it useful for working with both dark and light oils/liquids.
- Includes an abrasion and chemical resistant coating.
- Scales in 8ths. Innage.
- 1/2" x 25' L.

Order No.	Mfg. No. / Description	List Price	
507129	(58814)	\$158.49	FO-4901100
507117	(58899) Plumb Bob - 20 oz. English Innage Bob, Brass	\$46.89	FO-2823000

Kolor Kut Water Finding Paste



- For testing for the presence of water at the bottom of fuel storage tanks.
- Suitable only for use with Petrol, Diesel, Kerosene, Gas Oil, Heating Oil, Heavy Oil and Lubricating Oil.
- Applied to a rod/length of string with bottom weight, the brown paste changes colour to brilliant red where it comes into contact with water, giving you a visual indication as to the depth of water present.
- Gauges water content in all petroleum and hydrocarbons as well as sulfuric acid, nitric acid, hydrochloric acid, ammonia, soap solutions, salt and other chloride solutions.
- 3 oz.

Order No.	Description	List Price	
441612	Water Finding Paste	\$7.19	FO-3050000

Kolor Kut Gas Gauging Paste



- For checking the depth of gasoline in fuel tanks.
- Applied to a rod/length of string with bottom weight and lowered to the bottom of a Gasoline tank, the paste changes colour where it comes into contact with Gasoline/ Petrol, giving you a visual indication as to the depth of the gasoline.
- 2.25 oz.

Order No.	Description	List Price	
441614	Gas Gauging Paste	\$7.19	FO-3050000

SPECIAL HANDLING MAY APPLY



- Electronics
- Trolling Motors
- Instruments
- Electrical
- Lighting
- Anchor & Dock
- Safety
- Steering, Controls
- Pumps
- Fuel System
- Seating & Pedestals
- Trailing
- Tops & Covers
- Perform.
- Propellers
- Engine & Care
- Cleaning & Care
- Paint & Paint Acc.
- Fun & Flotation
- Topside Acc.
- Cockpit & Deck
- Hardware, Fasteners
- Camouflage
- Misc.

Hydrasearch Inverted Check Valves - Model PM1



- Venting improves the efficiency of loading and unloading cargo by eliminating dangerous pressure or vacuum buildup.
- Inverted Vent Check Valves add a measure of security, preventing deck wash, deck fire and debris from traveling through the vent.
- Approved for installation aboard USCG inspected vessels.
- Heavy Cast Construction, with 316ss ball float.
- Available in bronze, galv. steel, 316SS and 535 aluminum.
- Connection type - Threaded (standard).
- Also Available with Butt-weld or Flanged connections.

Order No.	Mfg. No. / Description	Size	Material	List Price	
290750	(1.5-PM1-GS-T)	Size 1-1/2"	Galvanized	\$146.49	D0-9171100
290752	(2-PM1-GS-T)	Size 2"	Galvanized	\$197.29	D0-3875100
290754	(3-PM1-GS-T)	Size 3"	Galvanized	\$325.29	D0-3206200
290756	(4-PM1-GS-T)	Size 4"	Galvanized	\$370.59	D0-7469200
290762	(1.5-PM1-B-T)	Size 1-1/2"	Bronze	\$222.19	D0-5777100
290764	(2-PM1-B-T)	Size 2"	Bronze	\$361.99	D0-9598200
290765	(2.5-PM1-B-T)	Size 2-1/2"	Bronze	\$497.79	D0-3289300
290766	(3-PM1-B-T)	Size 3"	Bronze	\$671.69	D0-5373500
290768	(4-PM1-B-T)	Size 4"	Bronze	\$865.19	D0-5129600
290780	(1.5-PM1-A-T)	Size 1-1/2"	Aluminum	\$126.19	D0-5900100
290782	(2-PM1-A-T)	Size 2"	Aluminum	\$166.99	D0-9533100
290784	(3-PM1-A-T)	Size 3"	Aluminum	\$233.09	D0-7468100
290786	(4-PM1-A-T)	Size 4"	Aluminum	\$320.99	D0-9765200

Hydrasearch Deck Drains - Standard



- Available in galvanized steel, 316 SS and aluminum.
- Strainers available in bronze or 316SS (aluminum strainer comes standard on aluminum deck drain).
- Connection Type - butt-weld, socket-weld & threaded.
- Available in sizes 1.5", 2", 2.5", 3", and 4" (6" available by special request).

Order No.	Mfg. No.	Size	Diameter	Height	Material
S/O	(1.5-DD-GS-W)	1.5"	4-1/2"	3-1/4"	Galvanized Steel
S/O	(2-DD-GS-W)	2"	4-1/2"	3-1/4"	Galvanized Steel
S/O	(2.5-DD-GS-W)	2.5"	5-1/2"	3-3/4"	Galvanized Steel
S/O	(3-DD-GS-W)	3"	5-1/2"	3-3/4"	Galvanized Steel
S/O	(4-DD-GS-W)	4"	6-1/2"	3-3/4"	Galvanized Steel

Hydrasearch Deck Drains - 2:1 Ratio



- Drains have a minimum 2:1 ratio clear opening through strainer as compared to pipe size.
- Strainers available in bronze only.
- Connection Type - butt-weld, socket-weld and threaded.
- Available in sizes 2" and 3"

Order No.	Mfg. No.	Size	Diameter	Height	Material
S/O	(2-DD21-GS-W)	2"	5-1/2"	3-3/4"	Galvanized Steel
S/O	(3-DD21-GS-W)	3"	6-1/2"	3-3/4"	Galvanized Steel

Hydrasearch Suction Strainer Box



- Designed for use in ships' bilges and other such tank locations which require trash protection for suction pipes and pumps.
- The SSB Series comes standard with 11 gauge fabricated galvanized steel housing and 316 SS fasteners.
- Other sizes and material available upon request.

Order No.	Mfg. No.	Size	Dimensions	Height
S/O	(1.5-SSB-GS)	1-1/2"	6" x 6"	4-3/4"
S/O	(2-SSB-GS)	2"	6" x 6"	4-3/4"
S/O	(2.5-SSB-GS)	2-1/2"	6" x 6"	4-3/4"
S/O	(3-SSB-GS)	3"	6" x 6"	4-3/4"
S/O	(4-SSB-GS)	4"	10" x 10"	9-1/2"

Hydrasearch Suction Bellmouth



- Designed for use in ships' bilges and other such tank locations to help maintain maximum efficiency during final stripping of liquid cargo tanks.
- Prevents vortex and gas formation as well as minimizing hydraulic loss while pumping liquids from holding tanks.
- Cast carbon steel offered with butt-weld or flanged ends

Order No.	Mfg. No.	Size	Dimensions	Height
S/O	(3-SBM-O-W)	3"	11.75" x 5.5"	5"
S/O	(4-SBM-O-W)	4"	15.25" x 6.75"	6-3/4"
S/O	(5-SBM-O-W)	5"	19.25" x 8.25"	8-3/8"
S/O	(6-SBM-O-W)	6"	23.25" x 10"	10"
S/O	(8-SBM-O-W)	8"	30.75" x 13.75"	13-3/8"
S/O	(10-SBM-O-W)	10"	39" x 16.75"	16-3/4"
S/O	(12-SBM-O-W)	12"	45.38" x 21.38"	20"

Hydrasearch Sounding Tubes



- Designed to provide watertight closing devices which are always accessible under normal operating conditions to enable sounding of tanks.
- Comes standard with 316SS coupling, bronze plug (w/tether chain and venting grooves), and a NBR gasket.
- Also available with carbon steel coupling.
- T-wrench sold separately.

Order No.	Mfg. No.	Size	Diameter	Height	Material/Plug
S/O	(1.5-ST-SS-S)	1.5"	3-1/4"	1-3/4"	316SS/Bronze
S/O	(2-ST-SS-S)	2"	3-1/4"	1-3/4"	316SS/Bronze
S/O	(2.5-ST-SS-S)	2.5"	4-3/4"	1-3/4"	316SS/Bronze
S/O	(3-ST-SS-S)	3"	4-3/4"	1-3/4"	316SS/Bronze

Hydrasearch Deck Drains - With Water Trap



- Drains have a larger diameter and contain water trap w/baffle incorporated in the strainer.
- Strainers available in bronze only.
- Connection Type - butt-weld, socket-weld and threaded.
- Available in sizes 1.5" and 2"

Order No.	Mfg. No.	Size	Diameter	Height	Material
S/O	(1.5-DDXH-GS-W)	1.5"	4-7/8"	3-7/8"	Galvanized Steel
S/O	(2-DDXH-GS-W)	2"	5-3/4"	4"	Galvanized Steel

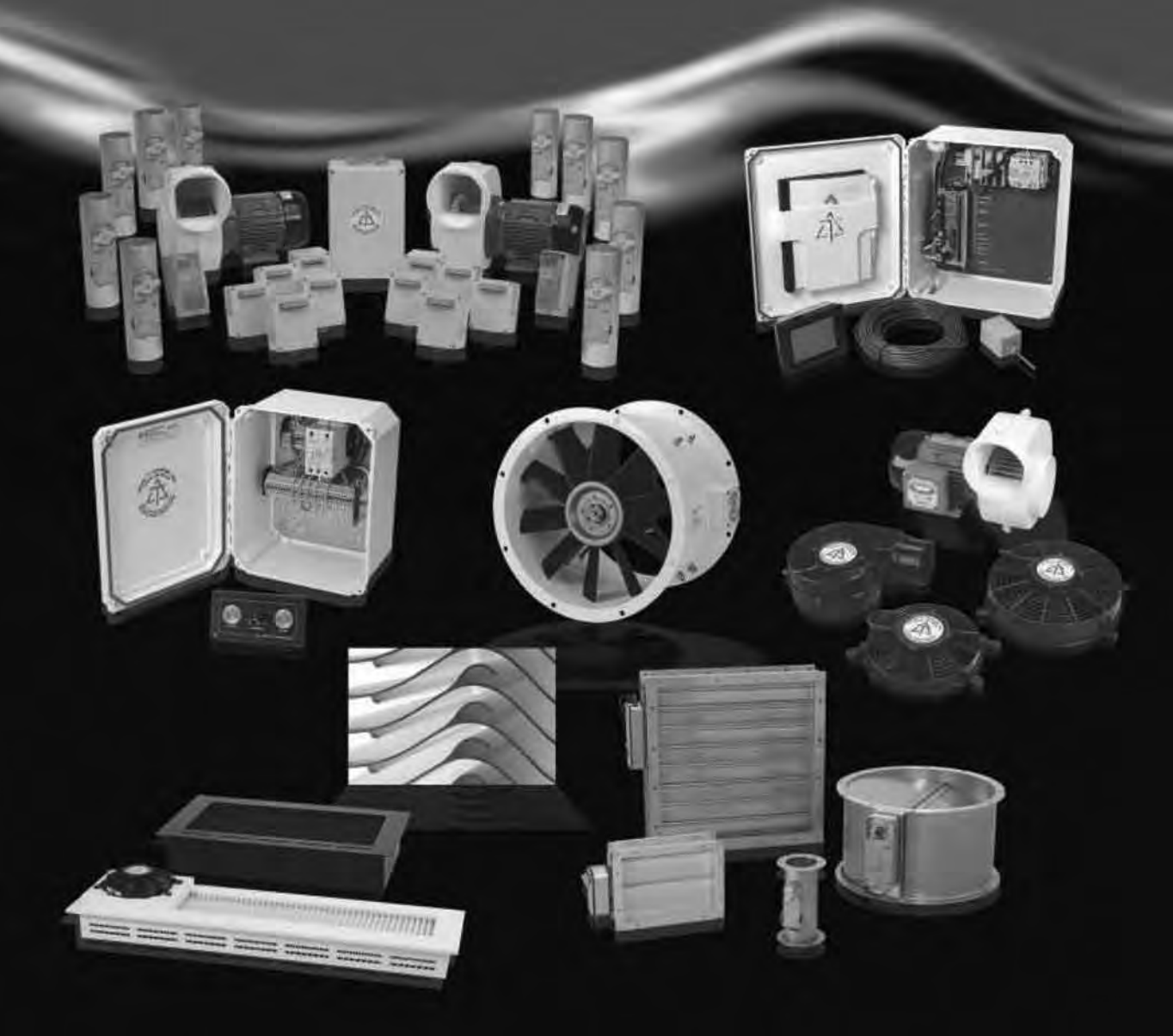
- Electronics
- Trolling Motors
- Instruments
- Electrical
- Lighting
- Anchor & Dock
- Safety
- Steering, Controls
- Pumps
- Fuel System
- Seating & Pedestals
- Trailering
- Tops & Covers
- Perform.
- Propellers
- Engine & Care
- Cleaning & Care
- Paint & Paint Acc.
- Fun & Flotation
- Topside Acc.
- Cockpit & Deck
- Hardware, Fasteners
- Camouflage
- Misc.
- Comm.

Delta "T" Systems



The Worldwide Leader In Engine Room Ventilation Systems

- Electronics
- Trolling Motors
- Instruments
- Electrical
- Lighting
- Anchor & Dock
- Safety
- Steering, Controls
- Pumps
- Fuel System
- Seating & Pedestals
- Trailing
- Tops & Covers
- Perform.
- Propellers
- Engine & Care
- Cleaning & Care
- Paint & Paint Acc.
- Fun & Flotation
- Topside Acc.
- Cockpit & Deck
- Hardware, Fasteners
- Camouflage
- Misc.



Delta "T" Systems



Delta "T" Systems engineers and manufactures a full line of marine engine room ventilation components and systems for virtually any application.



Fans & Blowers

- All Sizes, Types and Applications
- Any CFM Range
- High Efficiency
- Ultra-High Flow Rates and Static Pressures

Moisture Eliminators

- 97 Percent Efficiency
- Custom Sizes and Designs
- Marine Grade Materials

Fire Dampers

- Any Size or Type
- Round or Rectangular
- Fire Rated Dampers A-0 to A-60

Control Systems

- Full Range of Ventilation Control Systems
- Manual or Fully Automatic
- A/C and D/C Systems

Other Product Lines

- Weather Closures
- Multiple Space Ventilation System
- Grill Vents and Louvers
- Fan Guards
- System Engineering Capabilities

- Electronics
- Trolling Motors
- Instruments
- Electrical
- Lighting
- Anchor & Dock
- Safety
- Steering, Controls
- Pumps
- Fuel System
- Seating & Pedestals
- Trailering
- Tops & Covers
- Perform.
- Propellers
- Engine & Care
- Cleaning & Care
- Paint & Paint Acc.
- Fun & Flotation
- Topside Acc.
- Cockpit & Deck
- Hardware, Fasteners
- Camouflage
- Misc.

Delta "T" Systems A/C Inline Duct Fans



- Prewired and supplied with a mounting bracket for easy installation.
- Approved for wet locations.
- Suitable for airstream temperatures up to 140° F.
- Easy connection using external wiring box with waterproof gasket.
- Flow rates from 122 CFM to 649 CFM.
- 100% speed controllable.

Order No.	Mfg. No. / Description	List Price
436605	(500-804XL) Diameter 4" 115 volt	\$675.49 GO-8525400
436612	(500-805XL) Diameter 5" 115 volt	\$920.69 GO-6861600
436618	(500-805XL2) Diameter 5" 230 volt	\$613.99 GO-7311400
436615	(500-806XL) Diameter 6" 120 volt	\$846.49 GO-5176500

Delta "T" Systems Ignition Protected Marine Axial Fans



- High flow rates to 737 CFM.
- Ignition proof application.
- Flanged glass-filled nylon shroud.
- May be configured as a "pusher" or a "puller" fan.
- Sealed direct-drive D/C motor with O-ring seals and stainless steel shaft.
- Dynamically balanced armatures for quiet vibration-free operation.

Order No.	Mfg. No. / Description	List Price
436565	(500-309121IP) Diameter 9" 12 volt	\$396.49 GO-5656200
436570	(500-309241IP) Diameter 9" 24 volt	\$396.49 GO-5656200
436575	(500-311122IP) Diameter 11" 12 volt	\$560.39 GO-6457300
436580	(500-311242IP) Diameter 11" 24 volt	\$576.09 GO-8958300

Delta "T" Systems Fan



- Fan size: 36".
- 15 HP, 230-460/60/3.

Order No.	Mfg. No. / Description	List Price
436832	(500-436000) POR	

Delta "T" Systems DC Fan Control System



- Designed to automatically control engine room ventilation in applications using Delta T Systems DC fans, as well as provide a low and high speed option for manual operation.
- 24 volts.

Order No.	Mfg. No. / Description	List Price
436640	(600-DCT2-24) Max. Number of Fans: 2 Pairs	\$1,639.29 GO-2389010

Delta "T" Systems Small A/C Axial Fans



- High volume flow rates from 600 CFM to 1,100 CFM.
- Whisper quiet operation.
- Corrosion resistant aluminum housings are provided "mill finish" without paint.

Order No.	Mfg. No. / Description	List Price
436585	(500-208281/1) Diameter 8" 115 volt	\$604.79 GO-1250400
436590	(500-211115) Diameter 11" 115 volt	\$852.69 GO-0317500
436595	(500-211230) Diameter 11" 230 volt	\$960.09 GO-6234600
436620	(510-IG08) Fan Guard for 436585	\$128.09 GO-2858000
436625	(510-IG11E) Fan Guard for 436590 & 436595	\$94.29 GO-7136000

Delta "T" Systems Lil' Champ 4" Ignition Protected DC Blowers



- Flow rates to 350 CFM.
- Performs well even under static pressure loads.
- High-impact marine grade plastic housing.
- Internally mounted motor for compact design.
- Sealed D/C direct-drive motor.
- Includes universal powder coated bracket for a wide variety of mounting options.
- Dynamically balanced armatures for quiet vibration-free operation.
- Optional intake hose adaptor available (part No. 505-201251).

Order No.	Mfg. No. / Description	List Price
436558	(500-304121IP) Diameter 4" 12 volt	\$615.99 GO-1721400
436560	(500-304242IP) Diameter 4" 24 volt	\$630.99 GO-6722400
436563	(505-201251) Bracket	\$63.19 GO-4324000

Delta "T" Systems Adjustable Manual AC Fan Controls



- Designed to be used to control the output of small AC fans.
- Ideally suited to control Delta "T" Systems small AC Axial Fans and Inline Blowers.

Order No.	Mfg. No. / Description	List Price
436630	(600WC15) For a Fan of Up to 15 amps	\$118.89 GO-6697000
436635	(600-WC25) For a Fan of Up to 25 amps	\$199.09 GO-9333100

Electronics

Trolling Motors

Instruments

Electrical

Lighting

Anchor & Dock

Safety

Steering, Controls

Pumps

Fuel System

Seating & Pedestals

Trailering

Tops & Covers

Perform.

Propellers

Engine & Care

Cleaning & Care

Paint & Paint Acc.

Fun & Flotation

Topside Acc.

Cockpit & Deck

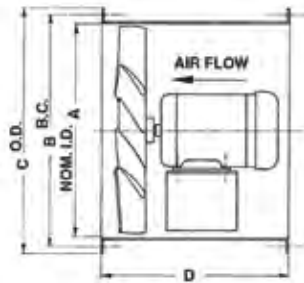
Hardware, Fasteners

Camouflage

Misc.

Comm.

Cincinnati Direct Drive Tube Axial Duct Fans - 12" to 48" Diameter



Tube Axial Fans Features.

- Model DDF is direct driven with the motor in the air stream.
- Maximum standard air stream temperature is 104° F (40° C).
- Spark resistant, cast aluminum propellers.
- All propellers are statically balanced to assure smooth operation.
- Drum flanges are rolled as an integral part of the drum on sizes 12" to 42".
- Drum flanges on 48" fans shall be 1-1/2" angle iron rings welded to drum.
- Drum seam is continuously welded.
- All sizes 12" to 30" have 12 gauge drums. All sizes 34" to 48" have 10 gauge drums.
- Flange mounting holes are punched in one-step to maintain constant bolt circle.
- Includes: Housing and propeller. Guards and motors are sold separately.

Fan Size	Motor HP	A	B	C	D
12"	All	12"	13-1/8"	14-1/16"	20"
15"	All	15"	16-1/8"	17-1/16"	20"
18"	All	18"	19-1/8"	20-1/16"	20"
24"	All	24"	25-13/16"	26-11/16"	21"
30"	All	30"	31-3/4"	32-11/16"	22"
34"	All	34"	35-11/16"	37-1/4"	26"
36"	All	36"	37-7/8"	39-1/4"	28"
42"	All	42"	43-9/16"	45-1/4"	29"
48"	3 to 7-1/2	47-3/4"	49-5/8"	51"	31"
48"	10 to 15	47-3/4"	49-5/8"	51"	31"

Fan Size	Prop No.	Motor HP	Fan RPM	1/8" SP CFM	BHP	1/4" SP CFM	BHP	3/8" SP CFM	BHP	1/2" SP CFM	BHP	5/8" SP CFM	BHP	3/4" SP CFM	BHP	7/8" SP CFM	BHP	1" SP CFM	BHP	1-1/8" SP CFM	BHP
12"	12-6-24	1/2	3450	2035	.39	1976	.40	1912	.42	1840	.44	1755	.46	1643	.48	1439	.50	773	.46	616	.47
	12-4-30	3/4	3450	2425	.59	2344	.57	2270	.60	2198	.63	2122	.66	2037	.70	1933	.73	1759	.74		
15"	15-6-25	1/3	1750	2032	.17	1869	.18	1608	.19	650	.19	416	.22								
	15-6-36	1/3	1750	2365	.21	2161	.24	1831	.25												
	15-6-43	1/2	1750	2748	.40	2536	.43	2175	.45												
	15-6-25	1-1/2	3450	4204	1.21	4137	1.23	4068	1.25	3999	1.28	3922	1.30	3842	1.33	3757	1.36	3663	1.39	3559	1.42
	15-4-30	1-1/2	3450	4593	1.35	4473	1.38	4363	1.41	4257	1.43	4151	1.45	4043	1.47	3929	1.46	3804	1.48	3562	1.48
	15-6-36	2	3450	4954	1.53	4850	1.56	4750	1.59	4652	1.64	4554	1.68	4453	1.72	4347	1.77	4234	1.81	4109	1.86
18"	18-4-22A	1/3	1750	3193	.28	2914	.31	2554	.32	1100	.27										
	18-6-25	1/2	1750	3427	.27	3204	.31	2944	.35	2556	.38	1329	.36	893	.39						
	18-6-35	1/2	1750	3918	.38	3654	.41	3350	.44	2800	.45										
	18-6-36	3/4	1750	4537	.66	4276	.69	3960	.70												
	18-6-43	1	1750	4915	.76	4689	.79	4469	.83	4222	.86	3873	.88								
24"	24-4-16A	3/4	1750	5881	.62	5445	.65	4931	.65	4171	.65	2652	.63	1630	.61	946	.60				
	24-4-20A	1	1750	6795	.89	6335	.95	5855	1.01	5252	1.03	3778	.86	1486	.85						
	24-6-31	1-1/2	1750	7196	.86	6599	.95	5819	1.01	4489	1.04	2880	1.08	1851	1.18						
	24-4-33	2	1750	9104	1.53	8680	1.61	8272	1.69	7840	1.76	7331	1.81	6593	1.81						
	24-6-41	3	1750	10256	2.28	9885	2.36	9535	2.45	9182	2.54	8809	2.62	8391	2.70	7884	2.75	7138	2.74		
30"	30-6-22	3/4	1150	8048	.59	6800	.60	3716	.54	1894	.63	587	.72								
	30-4-41	2	1150	12034	1.47	11234	1.54	10297	1.64	8783	1.71										
	30-7-37	3	1150	12405	1.92	11847	2.03	11050	2.10	8803	1.96	4903	1.83	3855	1.97	3073	2.13	2398	2.28	1770	2.43
	30-6-22	3	1750	13155	1.93	12466	2.04	11756	2.11	10954	2.14	9928	2.11	8213	1.99	5550	1.91	4101	2.04	3111	2.19
	30-4-41	7-1/2	1750	18993	5.14	18474	5.17	17961	5.24	17438	5.35	16890	5.48	16298	5.62	15632	5.77	14837	5.91	13756	6.01
30-7-37	10	1750	19277	6.49	18978	6.69	18649	6.88	18283	7.05	17868	7.20	17381	7.32	16779	7.39	15960	7.39	14442	7.15	
34"	34-6-29	1	1150	12035	1.11	10249	1.12	5128	1.14	2685	1.29										
	34-6-26	3	1150	15530	2.01	14663	2.12	13691	2.20	12430	2.23	10025	2.12	6455	1.97	4944	2.07	3887	2.21		
	34-6-29	5	1750	19293	3.77	18570	3.89	17701	3.96	16573	3.98	14834	3.91	10898	3.78	7686	4.02	5877	4.27	4440	4.49
	34-6-26	10	1750	24369	6.82	23809	7.02	23250	7.20	22682	7.37	22093	7.52	21471	7.65	20797	7.76	20046	7.84	19174	7.87
36"	36-6-25	1-1/2	1150	13927	1.44	12059	1.46	7931	1.35												
	36-6-26	3	1150	18223	2.45	17344	2.60	16401	2.70	15315	2.77	13904	2.77	11430	2.64	6850	2.42	4606	2.49	2967	2.61
	36-6-25	5	1750	22339	4.88	21488	5.05	20497	5.15	19291	5.17	17704	5.08	15342	4.89	11882	4.77	8891	4.95	6678	5.22
	36-6-26	10	1750	28485	8.29	27911	8.56	27340	8.81	26763	9.03	26173	9.23	25563	9.39	24924	9.54	24245	9.65	23510	9.74
42"	42-6-26	2	850	19071	1.70	17246	1.79	14816	1.79	9922	1.60	4720	1.57	1839	1.73						
	42-6-26	5	1150	26822	4.04	25589	4.23	24277	4.375	22813	4.45	21074	4.46	18777	4.37	15098	4.10	10069	3.82	6781	3.86
48"	48-6-19	2	850	20743	1.60	18397	1.72	15649	1.80	11489	1.78	4067	1.66								
	48-6-30	5	850	27893	2.88	26242	3.14	24333	3.36	21922	3.54	18339	3.71	12711	4.01	8430	4.43	5606	4.84		
	48-6-19	5	1150	29479	3.79	27777	4.00	26066	4.17	24264	4.31	22268	4.42	19913	4.47	16827	4.44	12027	4.26	6177	4.10
	48-6-30	10	1150	38684	6.81	37540	7.20	36340	7.56	35058	7.89	33663	8.19	32105	8.46	30309	8.70	28134	8.93	25321	9.16

- Electronics
- Trolling Motors
- Instruments
- Electrical
- Lighting
- Anchor & Dock
- Safety
- Steering, Controls
- Pumps
- Fuel System
- Seating & Pedestals
- Trailering
- Tops & Covers
- Perform.
- Propellers
- Engine & Care
- Cleaning & Care
- Paint & Paint Acc.
- Fun & Flotation
- Topside Acc.
- Cockpit & Deck
- Hardware, Fasteners
- Camouflage
- Misc.
- Comm.

Cincinnati Direct Drive Tube Axial Duct Fans - 12" to 48" Diameter



SINGLE PHASE MOTORS AVAILABLE BY SPECIAL ORDER

- All Baldor motors are 3 PH 208/230/460 60H.
- Fans to 18" can be shipped UPS.
- 24" and over must go motor freight.

Order No.	Cin. #	Frame/Prop	RPM	Frame	List Price	Order No.	Baldor #	List Price
300842	(DDF12-6-24)	1/2 HP	3450	56	\$707.00	C0-5900600	473465 (M3537)	\$435.79 B0-1229300
300854	(DDF12-4-30)	3/4 HP	3450	56	\$860.79	C0-7613700	473479 (M3541)	\$480.59 B0-3523400
S/O	(15-6-25)	1/3 HP	1750	56	Price On Request	S/O	(M3534)	Price On Request
S/O	(15-6-36)	1/3 HP	1750	56	Price On Request	S/O	(M3534)	Price On Request
S/O	(15-6-43)	1/2 HP	1750	56	Price On Request	S/O	(M3538)	Price On Request
S/O	(15-6-25)	1-1/2 HP	3450	56	Price On Request	S/O	(M3550)	Price On Request
S/O	(15-4-30)	1-1/2 HP	3450	56	Price On Request	S/O	(M3550)	Price On Request
300878	(DDF15-6-36)	2 HP	3450	56	\$722.59	C0-0241600	473484 (EM3555)	\$607.98 B0-8174500
S/O	(18-4-22A)	1/3 HP	1750	56	Price On Request	S/O	(M3534)	Price On Request
S/O	(18-6-25)	1/2 HP	1750	56	Price On Request	473480	(M3542)	\$518.39 B0-5566400
300892	(DDF18-6-43)	1 HP	1750	56	\$974.39	C0-3282800	473482 (EM3546)	\$917.59 B0-3852800
300990	(DDF24-4-16A)	3/4 HP	1750	56	\$946.49	C0-2540800	473480 (M3542)	\$518.39 B0-5566400
S/O	(24-4-20A)	1 HP	1750	56	Price On Request	473482	(EM3546)	\$917.59 B0-3852800
S/O	(24-6-31)	1-1/2 HP	1750	56	Price On Request	S/O	(M3554)	Price On Request
S/O	(24-4-33)	2 HP	1750	145T	Price On Request	S/O	(M3558)	Price On Request
300993	(DDF24-6-41)	3 HP	1750	182T	\$1,392.79	C0-7838110	473493 (EM3611T)	\$1,105.59 B0-3059900
S/O	(30-6-22)	3/4 HP	1150	143T	Price On Request	S/O	(M3543T)	Price On Request
S/O	(30-4-41)	2 HP	1150	184T	Price On Request	S/O	(M3614T)	Price On Request
S/O	(30-7-40)	3 HP	1150	213T	Price On Request	S/O	(M3704T)	Price On Request
S/O	(30-6-22)	3 HP	1750	182T	Price On Request	473493	(EM3611T)	\$1,105.59 B0-3059900
301095	(DDF30-4-41)	7.5 HP	1750	213T	Price On Request	473490	(M3710T)	\$2,005.79 C0-2940710
S/O	(30-7-40)	10 HP	1750	215T	Price On Request	S/O	(M3774T)	Price On Request
S/O	(34-6-29)	1 HP	1150	145T	Price On Request	S/O	(M3556T)	Price On Request
S/O	(34-6-25)	1-1/2 HP	1150	182T	Price On Request	S/O	(M3667T)	Price On Request
S/O	(34-6-26)	3 HP	1150	213T	Price On Request	S/O	(M3704T)	Price On Request
S/O	(34-6-29)	5 HP	1750	184T	Price On Request	S/O	(M3615T)	Price On Request
S/O	(34-6-25)	5 HP	1750	184T	Price On Request	S/O	(M3615T)	Price On Request
S/O	(34-6-26)	10 HP	1750	215T	Price On Request	S/O	(M3774T)	Price On Request
S/O	(34-6-26)	10 HP	1750	215T	Price On Request	S/O	(M3714T)	Price On Request
S/O	(42-6-26)	2 HP	850	213T	Price On Request	S/O	(M3702T)	Price On Request
S/O	(42-6-26)	5 HP	1150	215T	Price On Request	S/O	(M3768T)	Price On Request
S/O	(48-6-19)	2 HP	850	213T	Price On Request	S/O	(M3702T)	Price On Request
S/O	(48-6-19)	3 HP	1150	213T	Price On Request	S/O	(M3704T)	Price On Request
S/O	(48-6-30)	5 HP	850	254T	Price On Request	S/O	(M2280T)	Price On Request
S/O	(48-6-30)	10 HP	1150	256T	Price On Request	S/O	(M2332T)	Price On Request

Cincinnati Blower Guard



Order No.	Description	List Price	
301591	12" Guard	\$181.89	C0-1645100
301604	15" Guard	\$181.89	C0-1645100
301616	18" Guard	\$184.09	C0-8465100
301628	24" Guard	\$187.99	C0-9795100
301630	30" Guard	\$197.99	C0-9286100

Baldor Motor



- Ball bearings.
- Suitable for mounting in any position.
- Heavy gauge steel and cast iron frames.
- Frequency: 60 Hz.
- Enclose: TEFC
- Phase: 3.

3 HP BALDOR MOTOR

- 3 HP, 3450 RPM.
- Motor Type: 3532M.
- NEMA Frame: 145T.

LIMITED QUANTITIES

Order No.	Mfg. No. / Description	List Price	
473487	(EM3559T)	\$1,016.98	B0-8251900

7.5 HP BALDOR MOTOR

- 7.5 HP, 1770 RPM.
- Motor Type: 3736M.
- NEMA Frame: 213T.

Order No.	Mfg. No. / Description	List Price	
473490	(EM3710T)	\$1,593.09	B0-8733410

Cincinnati Prop Only



- Fan size: 18".
- Blades: 6.
- Pitch: 43°.
- 7/8".

Order No.	Mfg. No. / Description	List Price	
301541	(18-6-43 PROP)	\$754.59	C0-0414600

SPECIAL HANDLING MAY APPLY



- Electronics
- Trolling Motors
- Instruments
- Electrical
- Lighting
- Anchor & Dock
- Safety
- Steering, Controls
- Pumps
- Fuel System
- Seating & Pedestals
- Trailering
- Tops & Covers
- Perform.
- Propellers
- Engine & Care
- Cleaning & Care
- Paint & Paint Acc.
- Fun & Flotation
- Topside Acc.
- Cockpit & Deck
- Hardware, Fasteners
- Camouflage
- Misc.

Worldwide Electric General Purpose Three-Phase Motors



- Suitable for a diverse range of industrial applications and featuring a removable base, C-face, captured bearings to support belt drive applications and oversized bearings for vertical applications, we've designed this motor to be uniquely versatile to help reduce on-hand inventory requirements and increase compatibility across many different uses and installations.
- TEFC enclosure.
- 1.15 service factor.
- Class F insulation.
- Shaft slinger to keep moisture and contaminants from the drive-end bearing.
- Inverter duty.
- Suitable for 50 hz operation with 1.0 service factor.

REMOVABLE BASE - 230/460 VOLT

Order No.	Mfg. No.	HP	RPM	Frame	List Price	
473500	(NATE1-18-56)	1	1800	56H	\$514.09	BO-8626400
473505	(NATE2-36-56CB)	2	3600	56C	\$655.09	BO-8598500

REMOVABLE BASE - 208 VOLT

Order No.	Mfg. No.	HP	RPM	Frame	List Price	
473533	(NATE1-18-56CB)	3/4	1800	56C	\$567.19	BO-7401500
473528	(NATE1-36-56CB)	3/4	3600	56C	\$523.49	BO-4117400
473503	(NATE1.5-18-56)	1-1/2	1800	56H	\$606.99	BO-9264500

RIGID BASE - 230/460 VOLT

Order No.	Mfg. No.	HP	RPM	Frame	List Price	
473530	(NAT341856CB)	3/4	1800	56C	\$432.09	BO-8888300
473525	(NAT34-36-56CB)	3/4	3600	56C	\$363.79	BO-1472300

RIGID BASE - 208 VOLT

Order No.	Mfg. No.	HP	RPM	Frame	List Price	
473523	(NAT12-36-56CB)	1/2	3600	56C	\$359.69	BO-2732300

Worldwide Electric Premium Efficiency Severe Duty Motors



- Designed, built, and certified for everything from general purpose applications to high-torque, severe duty tasks.
- 208-230/460 volt, 60 Hz.
- C-face - rigid base.
- TEFC enclosure - IP55 degree of protection.
- 1.25 service factor.
- Class F insulation.
- Inverter duty, 10:1 CT/20:1 VT (1.0 service factor).
- Dual rated 50/60 Hz.
- Oversized bearings.
- Metal clad V type sealing rings.
- Inverter grade spike resistant magnet wire.
- Per NEMA MG1 Part 31.

Order No.	Mfg. No.	HP	RPM	Frame	List Price	
473510	(PEWWE318182T)	3	1800	182T	\$998.29	BO-6489800
473515	(PEWWE7518213T)	7.5	1800	213T	\$1,546.69	BO-2029310

Electronics

Trolling Motors

Instruments

Electrical

Lighting

Anchor & Dock

Safety

Steering, Controls

Pumps

Fuel System

Seating & Pedestals

Trailering

Tops & Covers

Perform.

Propellers

Engine & Care

Cleaning & Care

Paint & Paint Acc.

Fun & Flotation

Topside Acc.

Cockpit & Deck

Hardware, Fasteners

Camouflage

Misc.

FIAMM Airtone Stainless Steel Electric Horn



- All stainless steel construction for maximum weather ability.
- Stainless steel motor cover and stylish stainless pedestal mounting.
- dB(A) rating: 115 dB at one meter.
- Includes a projector support for extra ruggedness.
- Dimensions: 16-3/4" x 3-1/2" x 4-3/4".
- Maximum amp draw: 6 amps.
- 12 volt.

Order No.	Mfg. No. / Description	List Price	
605177	(75540-23)	\$88.79	F0-5126000

FIAMM Airtone Stainless Steel Electric Twin Horn



- All stainless steel construction for maximum weather ability.
- Stainless steel motor cover and stylish stainless pedestal mounting.
- dB(A) rating: 120 dB at one meter.
- Includes a projector support for extra ruggedness.
- Dimensions: 18" x 7-1/2" x 4-1/4".
- Maximum amp draw: 12 amps.
- 12 volt.

Order No.	Mfg. No. / Description	List Price	
605202	(75550-23)	\$154.39	F0-7080100

FIAMM Fultone Twin Air Horns with Compressor Kit



605331



605360



605608

- The twin air horn is the result of a unique sound chamber design which provides increased sound intensity from low pressure air sources.
- The sleek self-mount styling features dual stainless steel projectors and an anodized aluminum motor housing.
- dB(A) rating: 114 dB at one meter.
- Includes: Compressor, 8' tubing, horn button and 10' of wiring.
- Dimensions: 16" L x 7-1/2" W x 4-1/8" D.
- Bell diameter: 3-3/4".

Order No.	Mfg. No. / Description	List Price	
605331	(62330-14) Stainless Steel	12V Compressor	\$170.69 F0-8491100
605343	(62340-12) Stainless Steel	24V Compressor	\$183.09 F0-6182100
605360	(62350-12) White	12V Compressor	\$169.69 F0-8781100
605608	(08210-22) 12 volt Compressor Only		\$54.49 F0-4183000

FIAMM Toronado Stainless Steel Horns with Compressor Kit



- The ultimate in contemporary styling incorporating the very finest quality components.
- Combination of heavy chrome plated brass and stainless steel for outstanding protection from saltwater.
- All models are tuned for an extra loud and crisp sound.
- This has an unusually low air requirement that guarantees dependability and long life.
- Compressor, mounting pad and hardware installation included.
- Single: 120 dB @ 1 meter. Twin: 122 dB @ 1 meter.
- 12 volt.

TWIN, DIMENSIONS: 17" x 7-1/4" x 4"

Order No.	Mfg. No. / Description	List Price	
605355	(63230-14)	\$274.69	F0-8229100

- Electronics
- Trolling Motors
- Instruments
- Electrical
- Lighting
- Anchor & Dock
- Safety
- Steering, Controls
- Pumps
- Fuel System
- Seating & Pedestals
- Trailering
- Tops & Covers
- Perform.
- Propellers
- Engine & Care
- Cleaning & Care
- Paint & Paint Acc.
- Fun & Flotation
- Topside Acc.
- Cockpit & Deck
- Hardware, Fasteners
- Camouflage
- Misc.

Kahlenberg Zero Series Air Horns



- All brass and bronze construction.
- Low air consumption allows for use of a very small compress/tank kit.
- Fundamental frequency: 322 Hz.
- Sound pressure level over 122.9 dB.
- Designed for use on vessels less than 20 meters in length.
- Length 20".

Order No.	Mfg. No. / Description	List Price	
430405	(SV-0A AH)	\$527.29	H0-7361300
430417	(P026-64FG) Bracket	\$184.79	H0-7801100

Kahlenberg Model D-2 Heavy Duty Marine Air Horns



430380



430392

- All brass and bronze construction.
- Highly reliable, virtually no maintenance required.
- Low air consumption, operates on a wide range of air pressure.
- Fundamental frequency: 266 Hz and 212 Hz.
- Sound pressure level over 132 dB.
- Designed for use on vessels less than 75 meters in length.
- Dimensions: 20-1/2" x 15-1/2" x 8-1/2".
- Diaphragm 6-3/8".

REGULAR WITHOUT VALVE

Order No.	Mfg. No. / Description	List Price	
430380	(D2)	\$2,214.89	CO-6628810

MANUAL/ELECTRIC COMBINATION VALVE, AIR STRAINER & WHISTLE LIGHT

Order No.	Mfg. No. / Description	List Price	
430392	(D2-CVL AH/36095/S/110AC/NF)	\$4,185.89	CO-1085530



SPECIAL HANDLING MAY APPLY

Kahlenberg Model S Heavy Duty Marine Air Horns



- All brass and bronze construction.
- Low air consumption, operates on a wide range of air pressure.
- Regular, without valve.
- Fundamental frequency: 330 Hz.
- Sound pressure level over 132 dB.
- Designed for use on vessels less than 75 meters in length.
- Dimensions: 18.7" x 6.5" x 6.8".

Order No.	Mfg. No. / Description	List Price	
430431	(S-330) Diaphragm 5"	\$929.69	CO-4209700
430443	(S2) Diaphragm 6-3/8"	\$1,175.09	CO-3889900

Kahlenberg Signal Controller



- Ruggedly constructed to withstand the harsh marine environment.
- Aluminum hardcoat black anodized.
- Generates IMO Navigation Rule 35 Automated Signals for Restricted Visibility (40, 60, 90, 120 second cycle times).
- Generates IMO Navigation Rule 34 Maneuvering Codes.
- At-Will and Automatic Control of all connected devices.
- Produces SOLAS General Emergency Alarm and Abandon Ship Codes with external push buttons.
- Mute connection for external Sound Surveillance Systems.
- Connects to any external device push buttons.
- Integrates with External Alarm Systems.
- Illuminated, dimmable display.
- Dimmable red LED indicator lighting.
- Easy to use graphical switch panel.
- Dimensions: 6-1/2" x 4-1/2".
- 100-240 V.A.C. 50/60 Hz and/or 8-30 V.D.C., .5 amp.

Order No.	Mfg. No. / Description	List Price	
430484	(M-522)	\$2,136.19	BO-7522910

Kahlenberg Auto Console Whistle



Order No.	Mfg. No. / Description	List Price	
203151	(15601 120VAC)	\$1,149.98	CO-8477900

LIMITED QUANTITIES



- Electronics
- Trolling Motors
- Instruments
- Electrical
- Lighting
- Anchor & Dock
- Safety
- Steering, Controls
- Pumps
- Fuel System
- Seating & Pedestals
- Trailering
- Tops & Covers
- Perform.
- Propellers
- Engine & Care
- Cleaning & Care
- Paint & Paint Acc.
- Fun & Flotation
- Topside Acc.
- Cockpit & Deck
- Hardware, Fasteners
- Camouflage
- Misc.
- Comm.

Kahlenberg Push Button Switch



- Cast bronze waterproof.
- Suitable for At Will Control of solenoid operated whistle valves wherever electrical whistle control is used.
- Tapped one way for 1/2" conduit connection.
- 3 contact.

Order No.	Mfg. No. / Description	List Price	
430280	(M132)	\$350.29	B0-6251300

Kahlenberg Manual Valves



Order No.	Mfg. No. / Description	List Price	
430291	(V-11) 1/4" NPT	\$186.69	C0-9685100
430304	(V-12) 3/8" NPT	\$214.09	C0-8918100
430316	(V-13) 1/2" NPT	\$235.09	C0-3899100

Kahlenberg Electric Solenoid Valves



- This normally closed solenoid valve is ideal for industrial and marine use, and is specifically selected for use with certain Kahlenberg Horns based on air flow requirements.
- Brass valve body.
- Tested for air flow requirements of Kahlenberg Horns.
- Maximum operating air pressure: 200 PSI, 14 bar.
- Can be installed in any vertical or horizontal orientation.
- Power consumption: 12 watts.

Order No.	Mfg. No. / Description	List Price	
430269	(V-150D) 3/8" Female NPT	\$391.29	C0-0623300
430276	(V-151D) 1/2" Female NPT	\$391.29	C0-0623300

Kahlenberg Pneumatic Switch



Order No.	Mfg. No. / Description	List Price	
430289	(V102)	\$205.09	C0-3347100

Kahlenberg Illuminated At Will Push Button



- An illuminated flush mount momentary push button intended for use with Kahlenberg Horns and all Kahlenberg signal controllers.
- Suitable for interior or exterior locations.
- Console mount, includes gasketed flush mount aluminum faceplate.
- Durable construction with plastic body, titanium ring, plated copper contacts.
- Watertight for marine use.
- Current maximum: 500 volts @ 2 amps.

Order No.	Mfg. No. / Description	List Price	
430285	(M-313)	\$213.59	B0-3229100

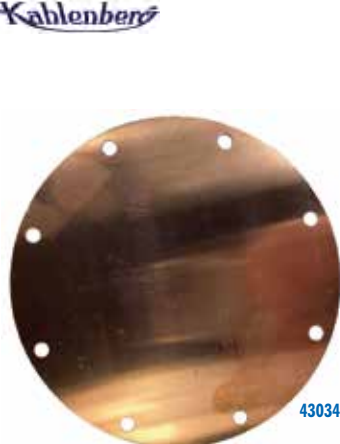
Kahlenberg Electric/Manual Combination Valve



- This normally closed combination manual/electric solenoid valve is ideal for marine use and is specifically selected for use with certain Kahlenberg Horns based on air flow requirements.
- Manual lever is included as a safety backup to operate the valve in case of electrical failure.
- Brass valve body.
- Maximum operating air pressure: 200 PSI, 14 bar.
- Can be installed in any vertical or horizontal orientation.
- Power consumption: 6.1 watts on 60 Hz.
- 3/8" female NPT.

Order No.	Mfg. No. / Description	List Price	
430271	(V150AL-110)	\$551.59	C0-5886400

Kahlenberg Spare Diaphragms



DIAPHRAGM - DIAMETER 5"

- For all Kahlenberg #1 Horns; Models S-1, D-1, T-1, etc.

Order No.	Mfg. No. / Description	List Price	
430330	(P028-05)	\$56.39	C0-3974000

DIAPHRAGM - DIAMETER 6-3/8"

- For all Kahlenberg #2 Horns; Models S-2, D-2, T-2, etc.

Order No.	Mfg. No. / Description	List Price	
430342	(P028-06)	\$70.99	C0-4306000

Buell Self-Powered Horn



- Creates deep-toned signals from a 22" chrome plated brass instrument bell.
- A pull of the handle is all that is required to produce the blast, making it an excellent standby signal for power failures.
- Frequency: 261 Hz.
- Dimensions: 23" L x 8" H x 7" diameter flare.

Order No.	Mfg. No. / Description	List Price
265531	(5400)	\$741.99 G0-3179400

Buell Horn Duplex Bracket



- Brass construction with chrome finish.
- Combine Buell single note horns with a horn bracket to produce a distinctive, powerful signal - a beautifully blended musical chord.
- A mounting kit consisting of gaskets, stainless steel mounting screws, lockwashers and tube fitting is included.

Order No.	Mfg. No. / Description	List Price
265428	(1085)	\$101.49 F0-4017000

Buell Accessories for Buell Strombos Air Horns



Order No.	Mfg. No. / Description	List Price
265404	(1068) Gasket	\$4.79 F0-5330000
265416	(1069) Diaphragm	\$5.79 F0-5040000

Buell Air Compressor - Moderate Duty



- Oil-less air compressor mount in any position and have no outside moving parts.
- The automatic pressure switch maintains air pressure levels.
- 125 PSI, 18 amps, 1.1 CFM.
- Dimensions: 8.5" L x 4" W x 7" H.
- 12 volt.

Order No.	Mfg. No. / Description	List Price
265534	(5440 12V)	\$801.69 G0-3173500

Buell Strombos Air Horns



- Low pressure single note air horns with tremendous power... operates on 50- 150 PSI.
- Made of solid brass with a chrome plate finish.
- Flare diameter: 6-1/2". Inlet dimensions: 1/8" NPT.

Order No.	Mfg. No. / Description	Frequency	List Price
265365	(1061) Length 10"	493 Hz	\$375.99 HO-9552200
265377	(1062) Length 12"	392 Hz	\$380.09 HO-5082200
265389	(1063) Length 15"	311 Hz	\$389.19 HO-1533200
265391	(1064) Length 18"	246 Hz	\$401.59 HO-5904200

Buell Manual Air Valve



- Brass body.
- 1/8" NPT ports.

Order No.	Mfg. No. / Description	List Price
265454	(2040)	\$89.19 F0-3426000

Buell Electric Solenoid Valve



- For remote control of air horns.
- Fiberglass filled nylon body.
- 1/4" NPT ports and molded coil.
- Intermittent duty - not rated for continuous duty.
- 12 volt.

Order No.	Mfg. No. / Description	List Price
265466	(42076)	\$136.59 F0-1659000

Buell Air Tank



- Made of steel, welded construction with a gray paint finish and (3) 1/4" NPT ports.
- Includes: (2) Steel mounting straps and brass tubing fittings.
- Capacity: 3 Gallons.
- Dimensions: 6" diameter x 25" long.

Order No.	Mfg. No. / Description	List Price
265505	(2244)	\$320.39 G0-6641200

- Electronics
- Trolling Motors
- Instruments
- Electrical
- Lighting
- Anchor & Dock
- Safety
- Steering, Controls
- Pumps
- Fuel System
- Seating & Pedestals
- Trailering
- Tops & Covers
- Perform.
- Propellers
- Engine & Care
- Cleaning & Care
- Paint & Paint Acc.
- Fun & Flotation
- Topside Acc.
- Cockpit & Deck
- Hardware, Fasteners
- Camouflage
- Misc.

Knot Wheel Brushes, Knot Cup Brushes

Knot Wheel Brush - Stringer Bead Twist - Carbon Steel Wire



- Most aggressive brushing action, perfect for heavy duty brushing in pipeline and container construction.
- Diameter 4".
- Thread size: 5/8-11.
- No. of knots: 32 pcs.
- Trim length 3/4".
- Face width 3/16".
- Wire diameter: .020.
- Maximum RPM: 20,000.

Order No.	Mfg. No. / Description	List Price	
221147	(82186)	\$39.09	F0-6372000

Desmond Swirl-Off®



- Removes deposits from virtually any hard surface.
- Versatile, lightweight, portable.
- Stainless steel one piece housing.
- Attaches to most sanders, grinders, drills, polishers.
- Built-in safety guard.
- Operates under water.
- Environmentally safe no chemicals or solvents.
- Fits 5/8" - 11 shaft.
- No lubrication or maintenance required.
- Diameter 6".
- Features 49 cutters.
- Maximum RPM: 6,000.

Order No.	Mfg. No. / Description	List Price	
324121	(50600)	\$318.79	F0-5132200
324119	(50611) Cutters for 6" Swirl-Off Tool (Set of 49)	\$55.69	F0-8983000

LIMITED QUANTITIES

Knot Wheel Brush - Full Cable Twist - Carbon Steel Wire



- These brushes feature tightly twisted knots for low flex, high impact brushing action.
- Full cable twist is ideal for tough brushing applications.
- For weld cleaning, weld spatter removal, scale removal, cleaning, deburring, and flash removal.
- Diameter 6".
- Thread size: 5/8-11.
- No. of knots: 30 pcs.
- Trim length 1-1/4".
- Face width 1/2".
- Wire diameter: .023.
- Maximum RPM: 10,000.

Order No.	Mfg. No. / Description	List Price	
221159	(82478)	\$62.89	F0-2044000

LIMITED QUANTITIES

Knot Cup Brush - Standard Twist - Carbon Steel Wire - Single Row



- This brush features knots that are twisted approximately 75% of the trim length.
- The loosely-twisted knots cover a larger surface area and are ideal for heavy duty cleaning and surface conditioning on uneven surfaces.
- For weld cleaning, weld spatter removal, deburring and rubber flash removal.
- Thread size: 5/8-11.

DIAMETER 2-3/4"

- No. of knots: 18 pcs.
- Trim length 7/8".
- Wire diameter: .020.
- Maximum RPM: 14,000.

Order No.	Mfg. No. / Description	List Price	
221111	(82220)	\$40.69	F0-8482000

DIAMETER 4"

- No. of knots: 24 pcs.
- Trim length 1-1/4".
- Wire diameter: .023.
- Maximum RPM: 9,000.

Order No.	Mfg. No. / Description	List Price	
221123	(82523)	\$64.79	F0-5354000

Arrowworthy Shoe Handle Wire Brush



- Shoe handle.
- Block size: 11" L x 1" W.
- Rows of wire: 16 x 4.

Order No.	Mfg. No. / Description	List Price	
221161	(300)	\$2.29	F0-0610000

- Electronics
- Trolling Motors
- Instruments
- Electrical
- Lighting
- Anchor & Dock
- Safety
- Steering, Controls
- Pumps
- Fuel System
- Seating & Pedestals
- Trailering
- Tops & Covers
- Perform.
- Propellers
- Engine & Care
- Cleaning & Care
- Paint & Paint Acc.
- Fun & Flotation
- Topside Acc.
- Cockpit & Deck
- Hardware, Fasteners
- Camouflage
- Misc.

Texas Pneumatic Needle Scaler



- The model TX-1B needle scaler is a convertible tool used as a chisel scaler or a needle scaler depending on the application. Needle scaler can be easily converted to a chisel scaler by replacing needle attachment with chisel.
- Needle scalers adjust to any surface contour automatically.
- Tool applications:
 - De-rusting and cleaning of metals.
 - Peening of welded joints.
 - Cleaning castings.
 - Cleaning welding slag.
 - Removing barnacles.
 - Removing paint, rust and dirt.
 - Chipping stone, concrete and brick.

Order No.	Mfg. No. / Description	List Price	
645816	(TX1BLTNS)	\$465.99	F0-9162300

Texas Pneumatic Needle Scaler Replacement Parts

Order No.	Mfg. No. / Description	List Price	
645828	(TX-00024) 7" x .125 Scaler Needle, 19 Required	\$1.69	F0-8110000
645834	(TX-00049) 7" Flat Chisel, 1-3/8" Wide	\$19.09	F0-6331000

Aurand K-Series Electric Deck Crawler

AURAND



- A small lightweight (9 lbs.) tool suitable for handwork.
- Clearing area: 5" wide.
- Removal rate: 50-75 sq. ft. per hour.
- 1/4 HP.
- 115 V.

Order No.	Mfg. No. / Description	List Price	
243319	(K7-1)	\$1,046.89	B0-0224900
243369	(674) Spare Cutters, Set of 2	\$117.89	B0-0160100

Aurand M-Series Deck Crawler

AURAND



- A larger tool suitable for heavy duty or floor work.
- Clearing area: 8" wide.
- Removal rate: 70-100 sq. ft. per hour.
- 1/2 HP.
- 115 V.

Order No.	Mfg. No. / Description	List Price	
243333	(M5-1)	\$1,405.19	B0-7646210
243357	(90M) Spare Cutter, Set of 2	\$191.89	B0-0727100

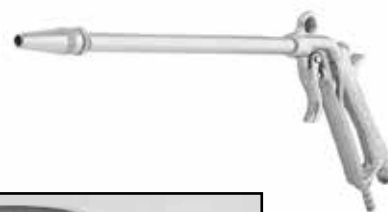
Texas Pneumatic Needle Scaler Repair Kit

- Kit includes:
 - 3 (TX-00044) Needle Spring
 - 1 (TX-00045) Needle Driver
 - 1 (TX-00046) Needle Holder (19 Needles)
 - 1 (TX-00078) Throttle Valve Spring
 - 2 (TX-00126) Valve Block Dowel Pin (2 Per Tool)
 - 2 (TX-00196) Flutter Valve
 - 1 (TX-00207) Throttle Valve Cap
 - 1 (TX-00373) Plunger
 - 2 (TX-00519) 5" x .125 Needle Set (19)
 - 3 (TX-00527) Retainer Buffer
 - 3 (TX-00554) Retainer Clip
 - 1 (TX-00636) Throttle Valve Cap Gasket
 - 1 (TX-00782) Throttle Valve with O-ring
 - 1 (TX-00848) Throttle Lever Pin
 - 1 (TX-00956) Retainer

Order No.	Mfg. No. / Description	List Price	
645818	(TX1BNSRK)	\$171.59	B0-3445100

Binks Washdown Gun

BINKS



- Drop-forged, brass, nickel plated.
- Used to spray solvents that clean engines and other machinery, the Model 140B features 10" nozzle/tube length that has flexible tubing with a hose clamp for siphoning solvent from container.
- It requires 14 CFM air at 50 PSI.
- Air inlet: 1/4" NPS.

Order No.	Mfg. No. / Description	List Price	
527196	(140B)	\$374.39	C0-3281300

Electronics

Trolling Motors

Instruments

Electrical

Lighting

Anchor & Dock

Safety

Steering, Controls

Pumps

Fuel System

Seating & Pedestals

Trailer

Tops & Covers

Perform.

Propellers

Engine & Care

Cleaning & Care

Paint & Paint Acc.

Fun & Flotation

Topside Acc.

Cockpit & Deck

Hardware, Fasteners

Camouflage

Misc.

Comm.

BFG Marine Mfg Handwheel



- Handwheel, ST.
- 6" x 3/4" Square.

Order No.	Mfg. No. / Description	List Price	
279345	(VCW3064)	\$133.98	BO-8502100

LIMITED QUANTITIES

Frank W. Murphy Pipe Bracket Kit



- Pipe bracket kit for LR857 level reg.

Order No.	Mfg. No. / Description	List Price	
772649	(15000238)	\$81.09	HO-5684000

Barge Gaskets

Order No.	Mfg. No. / Description	List Price	
542095	(6) 6"	\$6.39	FO-7440000
542097	(8) 8"	\$6.89	FO-2840000

Gyro Chemical & Equipment Co



- Biocide pail (5 gallon).

Order No.	Mfg. No. / Description	List Price	
517215	(BIOC-5)	Price on Request	

DBC Marine Safety Systems



Order No.	Mfg. No. / Description	List Price	
308010	(1007965) Red Cap F/ID Tube	\$9.49	BO-4580000
458643	(16X3)	\$3,777.98	BO-8100430

LIMITED QUANTITIES

ME Industries LLC

- Insl Blkt.
- 1" x 2' x 3'.
- Box of 20.

Order No.	Mfg. No. / Description	List Price	
004945	(MIL-742TY1)	\$224.99	BO-9420200

LIMITED QUANTITIES

Commercial Close Out Specials

Order No.	Part #	Description	Quantity	List Price	
203151	15601	Auto Console Whistle - 120V AC	2	\$1,149.98	CO-8477900
309766		Button Chocks, 8.5", DF129	2	\$101.19	BO-7019000
v	SS304-11	Wire Mesh, Uncrimped, .011"	1	\$10.59	FO-1470000

LIMITED QUANTITIES

All New • All Items Subject to Prior Sale • Price on Request

SPECIAL HANDLING MAY APPLY



- Electronics
- Trolling Motors
- Instruments
- Electrical
- Lighting
- Anchor & Dock
- Safety
- Steering, Controls
- Pumps
- Fuel System
- Seating & Pedestals
- Trailer
- Tops & Covers
- Perform.
- Propellers
- Engine & Care
- Cleaning & Care
- Paint & Paint Acc.
- Fun & Flotation
- Topside Acc.
- Cockpit & Deck
- Hardware, Fasteners
- Camouflage
- Misc.





KEYPOWER BOW AND STERN THRUSTERS



Robust
Reliable

High
Quality

Commercial
& Pleasure Craft

Electric
& Hydraulic

Keypower keeps you under control.

Keypower has been designing and manufacturing rugged, dependable bow and stern thrusters for almost 40 years. From their origins, deeply rooted in the commercial markets of the Pacific Northwest, Keypower thrusters have been trusted by vessel operators who face the harshest marine environments on a daily basis. As a result of Keypowers' underlying drive to meet the heavy demands of commercial use, Keypower thrusters have quickly become the trusted solution in a variety of markets that include military applications as well as the pleasure and yacht markets where owners have grown to appreciate reliable products that withstand the test of time.

Both electric and hydraulic thruster models are available, ranging from 5hp (8"/20.3cm) to 400hp (40"/101.6cm).

Based on hydrodynamic fundamentals, the streamlined shape of the housing coupled with the auger style propeller provides maximum thrust per horsepower while maintaining equal thrust in both directions. Precise control is provided by a proportional thruster control system that can accommodate up to 7 stations onboard.

Keypower thrusters use duplex stainless steel for the main shaft due to its unique combination of properties: high strength, excellent corrosion resistance and superior resistance to galling and seizing. The gear housing contains a matched set of spiral bevel gears that are custom designed to ensure reliability and silent operation. A large, replaceable, sacrificial zinc is used to protect the thrusters from electrolysis.

High quality materials, robust engineering and a commitment to customer service make Keypower thrusters the safe decision for any application.

Key Features

- Auger-style propeller for equal thrust in both directions
- Bronze construction for durability and strength
- Hydrodynamic design for greater power and enhanced propeller efficiency
- Low maintenance adds value over time

Full System Components

- Thruster, including mount & propeller
- Drive motor
- Maintenance Kit
- Load Sensing Piston Pump
- High Pressure Filter
- 4 way / 3 Position Solenoid Valve
- Thruster Control Station
- Aluminum Tank
- Hydraulic Power Unit (HPU)

- Electronics
- Trolling Motors
- Instruments
- Electrical
- Lighting
- Anchor & Dock
- Safety
- Steering, Controls
- Pumps
- Fuel System
- Seating & Pedestals
- Trailering
- Tops & Covers
- Perform.
- Propellers
- Engine & Care
- Cleaning & Care
- Paint & Paint Acc.
- Fun & Flotation
- Topside Acc.
- Cockpit & Deck
- Hardware, Fasteners
- Camouflage
- Misc.

MODELS

Hydraulic

Model	Horsepower	Required GPM*	Required PSI*	Thrust lbs.f.
KP 8	10	7.5	2,500	250
KP 10	15	10.5	2,500	375
KP 12	25	16	2,600	625
KP 12 HD	30	20	2,500	750
KP 14	36	26	2,500	900
KP 16	50	34	2,600	1,250
KP 16 HD	62	45	2,500	1,550
KP 18	75	52	2,500	1,875
KP 18 HD	90	55	2,750	2,250
KP 22	110	75	2,500	2,750
KP 22 HD	135	83	2,750	3,375
KP 26	160	110	2,600	4,000
KP 26 HD	185	125	2,500	4,625
KP 36	250 / 350	As per application		6,250 / 8,750

* NOTE: Values are for stock hydraulic motors. Other hydraulic motors are available on request.

Electric

Model	Horsepower	Required Voltage	Required Amps	Thrust lbs.f.
KP 08E	5	12	320	140
KP 10E	10	24	320	250
KP 12E	14	24	440	350

Component	Aluminum Model	Bronze Model	Steel Model
Gear Housing	A356-T6, Anodize=MIL A8625E, ASTM B147 (8A)	Manganese Bronze	Steel
Propeller	ALMAG Anodize=MIL 8625E	Manganese Bronze	Manganese Bronze
Propeller Shaft	17-4 PH - H 925	17-4 PH - H 925	17-4 PH - H 925
Fasteners	316 Stainless	316 Stainless	316 Stainless

Common Use Scenarios

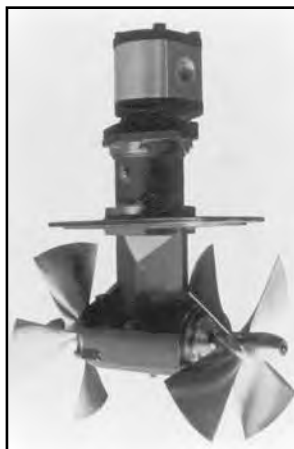
- Maintaining position
- Docking
- Control in heavy currents
- Manoeuvring in tight spaces

Applicable Vessels

- Passenger Ferries
- OSVs & Supply Vessels
- Pleasure Craft / Yachts
- Military Craft / Coast Guard Vessels

- Electronics
- Trolling Motors
- Instruments
- Electrical
- Lighting
- Anchor & Dock
- Safety
- Steering, Controls
- Pumps
- Fuel System
- Seating & Pedestals
- Trailering
- Tops & Covers
- Perform.
- Propellers
- Engine & Care
- Cleaning & Care
- Paint & Paint Acc.
- Fun & Flotation
- Topside Acc.
- Cockpit & Deck
- Hardware, Fasteners
- Camouflage
- Misc.

Wesmar Bow Thrusters



Special Order

SINGLE PROP/DUAL PROP COUNTER ROTATING.

WESMAR PERFORMANCE - TURN 360 DEGREES IN PLACE.

- Wesmar Bow Thrusters make close quarters maneuvering a simple task.
- You can turn you boat a full 360 degrees in its own length, control the hazards of crowded harbors, tight docking slips, and extreme weather knowing your Wesmar bow thrusters will allow you to maneuver skillfully and quickly, avoiding damaged hulls, mangled ladders, and crumpled docks.

28 THRUSTER MODELS.

- Hydraulic and Electric Models.
- Double Thrust Counter Rotating.
- Single Prop.
- For Pleasure Boat Applications.
- For Commercial Applications.
- For Boats 38 to 200 feet.

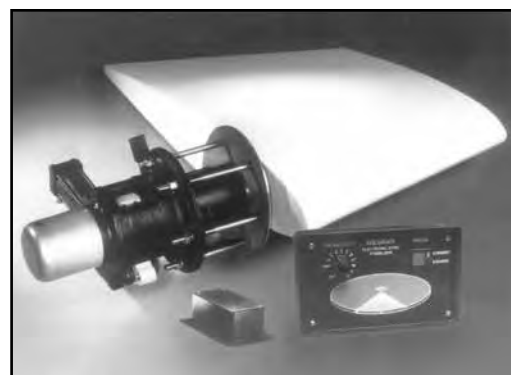
Wesmar Commercial Bow Thrusters



- Diameter 20".

Order No.	Mfg. No. / Description		List Price	
685630	(20 KAPLANRH) Right Hand		\$2,979.98	BO-8918620
685635	(20 KAPLAN LH) Left Hand		\$2,979.98	BO-8918620

Wesmar Stabilizers



Special Order

ELECTRONIC GYRO DELIVERS

LIGHTING SPEED REACTION FOR EXCEPTIONAL PERFORMANCE.

- The Wesmar stabilization system uses an easily mounted electronic gyro sensor that sends information about roll velocity and acceleration directly to Wesmar's proportional hydraulic system, which reacts instantaneously to rotate the fins.
- When a desired lift is achieved to counteract the rolling force of a wave, Wesmar's closed proportional hydraulic system instantly interacts with the gyro to correct the rolling.
- The airfoil fin design constantly adjusts vessel motion.
- One fin is angled to induce upward force while the other creates downward force.
- This coordinated response stabilizes the vessel.

ADVANTAGES:

Of the Wesmar Electronic Gyro System Over a Hydraulic Gyro:

- No hydraulic hoses to the gyro compared to as many as 6 additional hoses on competitive hydraulic gyros.
- No Moving Parts.
- No Adjustments.
- No Maintenance.
- No Service.
- No Horizon Adjustment.
- Easy to Install.
- No Haul-Out Required.

Wesmar Lower Stainless Steel Drive Leg Assembly Complete



Order No.	Mfg. No. / Description	List Price	
685619	(64.10391.0) V2-20	\$15,965.98	BO-8396341



SPECIAL HANDLING MAY APPLY



- Electronics
- Trolling Motors
- Instruments
- Electrical
- Lighting
- Anchor & Dock
- Safety
- Steering, Controls
- Pumps
- Fuel System
- Seating & Pedestals
- Trailering
- Tops & Covers
- Perform.
- Propellers
- Engine & Care
- Cleaning & Care
- Paint & Paint Acc.
- Fun & Flotation
- Topside Acc.
- Cockpit & Deck
- Hardware, Fasteners
- Camouflage
- Misc.
- Comm.

Wesmar Specification Sheet

Bow Thruster _____ Stern Thruster _____ Stabilizer _____ Hydraulics _____

Date _____

Name _____ Boat Name _____

Address _____ State _____

Phone _____ Fax _____

Email _____

Builder _____ Contact _____ Phone _____

Vessel Type _____ Hull No. _____

Length _____ Beam _____ Draft _____

Weight _____ GM (Metecentric height) _____

Weight Short Tons _____ Beam at Water Line _____

Full Speed (knots) _____ Cruise Speed _____

Slowest speed in knots at which full stabilization is required: _____

Main Engine Manufacture (s) _____ Model _____

Single Engine _____ Twin Engine _____ Other _____

Idle Speed _____ Full Speed _____ HP _____

Genset Manufacture _____ KW _____ RPM _____

Transmission Manufacture _____ Model _____

#of control stations _____ Location _____

Thruster Drive: 12V DC _____ 24V DC _____ AC _____ Hydraulic _____ Other _____

Hydraulic System Information:

Hydraulic: Crane _____ Capstan _____ Windlass _____ Other _____

Hydraulic Motor Mounting location (s) _____

Mounting flange: 2 Bolt _____ 4 Bolt _____ SAE Flange Code _____

Shaft type: Keyed _____ Splined _____ SAE Shaft Code _____

Rotation: Clockwise _____ Counter Clockwise _____

Electric clutch: Yes _____ No _____

AC System Information:

Single Phase _____ Three Phase _____

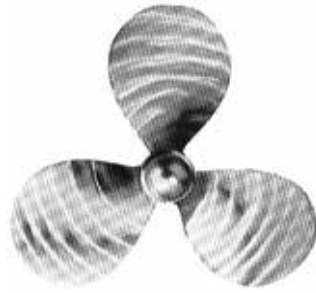
Genset capacity _____

AC Motor voltage _____

Number of control stations _____

- Electronics ■
- Trolling Motors ■
- Instruments ■
- Electrical ■
- Lighting ■
- Anchor & Dock ■
- Safety ■
- Steering, Controls ■
- Pumps ■
- Fuel System ■
- Seating & Pedestals ■
- Trailering ■
- Tops & Covers ■
- Perform. ■
- Propellers ■
- Engine & Care ■
- Cleaning & Care ■
- Paint & Paint Acc. ■
- Fun & Flotation ■
- Topside Acc. ■
- Cockpit & Deck ■
- Hardware, Fasteners ■
- Camouflage ■
- Misc. ■

Michigan Tru-Pitch™ Commercial Propeller



- This style is the finest and best known of all-purpose propellers.
- Efficiency and smoothness is assured by Federal's exclusive Tru-Pitch process.
- This style incorporates semi-elliptical shape, constant pitch and ogival blade sections in the design. . . a result of years of experience.
- Available in Federal-B and Nibral alloys, left and right hand rotation, in 8" to 96" diameters.
- Stainless Steel available 8" to 40" diameters.
- H-D Heavy Duty, is similar in design to T-P, but its considerably heavier blade edges are engineered to meet more severe conditions.
- Heavy, round edges resist abrasion and blade fracture.
- Durable . . . extremely rugged. In the same metals and sizes as T-P.
- Three-blade only - right or left hand.

ZF Marine Commercial Propellers



- 4 Blade.

Order No.	Dia. x Pitch	Bore	Right Hand	List Price	
394572	20" x 23.5"	Bore: 1.75"	Right Hand	\$1,311.98	DO-8594010
394705	40" x 36"	Bore: 3.5"	Right Hand	\$4,875.98	DO-8700930
394706	40" x 36"	Bore: 3.5"	Left Hand	\$4,875.98	DO-8700930

Anchor Supply Propeller Bore Reducer Bushings



- Tough nylon bushing with brass stepdown key quickly and easily reduce propeller bore to fit smaller diameter shafts.
- All tapers are SAE Marine Standard.

Order No.	Description	List Price	
222656	1-1/8" to 1"	\$58.49	FO-4904000
222668	1-1/4" to 1"	\$60.19	FO-3124000
222670	1-1/4" to 1-1/8"	\$61.79	FO-5234000
222694	1-1/2" to 1-1/4"	\$74.99	FO-9425000
222707	1-1/2" to 1-3/8"	\$74.99	FO-9425000
222719	1-3/4" to 1-1/2"	\$109.99	FO-9967000
222721	2" to 1-1/2"	\$118.19	FO-3728000
222733	2" to 1-3/4"	\$118.19	FO-3728000
222740	2-1/4" to 2"	\$170.89	FO-2691100
222745	2-1/2" to 2"	\$177.49	FO-4242100
222757	2-1/2" to 2-1/4"	\$184.09	FO-6882100

Michigan Equi Series Commercial Propeller



- The Federal Equi-Poise three blade and Equi-Quad four blade propeller series are for applications that benefit from traditional propeller geometry held to a close tolerance.
- The proven performance of these designs is enhanced through strict manufacturing controls.
- Those controls result in closely matched sets that are a step above standard line series propellers.
- By utilizing a traditional design, Federal can supply a vast range of sizes, at good value, with a minimal lead time

Western Branch Metals Bronze Propeller Hex Nuts - Jam Nuts



Order No.	Description	List Price	
685888	Shaft Size: 1-1/2" For 2" Shaft	\$90.98	CO-3377000

Western Branch Metals Bronze Propeller Hex Nuts - Full Nuts



Order No.	Description	List Price	
685810	Shaft Size: 3/4" For 1-1/8" Shaft	\$18.98	CO-3161000
685834	Shaft Size: 7/8" For 1-1/4" Shaft	\$33.98	CO-8882000
685872	Shaft Size: 1-1/8" For 1-1/2" Shaft	\$54.98	CO-3764000
685885	Shaft Size: 1-1/4" For 1-3/4" Shaft	\$58.98	CO-3105000
685887	Shaft Size: 1-1/2" For 2" Shaft	\$111.98	CO-8159000

- Electronics
- Trolling Motors
- Instruments
- Electrical
- Lighting
- Anchor & Dock
- Safety
- Steering, Controls
- Pumps
- Fuel System
- Seating & Pedestals
- Trailering
- Tops & Covers
- Perform.
- Propellers
- Engine & Care
- Cleaning & Care
- Paint & Paint Acc.
- Fun & Flotation
- Topside Acc.
- Cockpit & Deck
- Hardware, Fasteners
- Camouflage
- Misc.



SPECIAL HANDLING MAY APPLY





24 HOUR PROPELLER PICK UP, DELIVERY AND STORAGE

PROP SHOP REPAIRS & SERVICE

REPAIR • MODIFICATIONS • SALES

Federal • Hawboldt • Hung Shen • Hytorq
 Kahlenberg • Sound
 Rice • ZF Marine
 Wheels up to 150"



- Electronics
- Trolling Motors
- Instruments
- Electrical
- Lighting
- Anchor & Dock
- Safety
- Steering, Controls
- Pumps
- Fuel System
- Seating & Pedestals
- Trailing
- Tops & Covers
- Perform.
- Propellers
- Engine & Care
- Cleaning & Care
- Paint & Paint Acc.
- Fun & Flotation
- Topside Acc.
- Cockpit & Deck
- Hardware, Fasteners
- Camouflage
- Misc.



Inboard Analysis Data

Name: _____
 Street: _____ P.O. Box: _____
 City: _____ State: _____ Postal Code: _____
 Telephone: _____ Date: _____

Vessel Data

Manufacturer: _____ Model: _____
 Overall Length (OAL): _____ Waterline Length (WL): _____
 Beam: _____ Draft: _____ Displacement Weight: _____

Weights

Vessel Hull Material: Fiberglass Steel Aluminum Wood
 _____ Other: _____
 Vessel Use: Commercial Pleasure
 If Commercial: Pulling/Towing Pushing Dragging/Trawling Ship Handling
 _____ Other: _____
 Anticipated Hull Speed: _____ Knots

Engine Data

Manufacturer: _____ Model: _____
 _____ Gas Diesel
 Engine MFG. Max. HP: _____
 Governed at What RPM? _____
 Gear Ratio: _____ Direct Reduction: _____ :1 No. of Engines: Single Twin

Propeller Data

Max. Diameter: _____
 Prop. Application: Nozzle Open
 Suggested Prop. Size: _____ Diameter _____ X Pitch _____ Style _____ Blades _____ Material
 Price: _____ Delivery: _____
 Vessel/propeller/Nozzle Certification Required:
 ABS Lloyds DNV Other

Remarks:

- Electronics
- Trolling Motors
- Instruments
- Electrical
- Lighting
- Anchor & Dock
- Safety
- Steering, Controls
- Pumps
- Fuel System
- Seating & Pedestals
- Trailering
- Tops & Covers
- Perform.
- Propellers
- Engine & Care
- Cleaning & Care
- Paint & Paint Acc.
- Fun & Flotation
- Topside Acc.
- Cockpit & Deck
- Hardware, Fasteners
- Camouflage
- Misc.

SKIPPER

ENGINEERED PRODUCTS

- STEERING SYSTEMS
- MANUAL STEERING
- HYDRAULIC POWERPAKS
- ENGINE ALARM SYSTEMS
- CUSTOM DESIGNS
- FIELD SERVICE
- ENGINE CONTROL SYSTEMS
- CONVERSIONS - RETROFITS

- Electronics
- Trolling Motors
- Instruments
- Electrical
- Lighting
- Anchor & Dock
- Safety
- Steering, Controls
- Pumps
- Fuel System
- Seating & Pedestals
- Trailing
- Tops & Covers
- Perform.
- Propellers
- Engine & Care
- Cleaning & Care
- Paint & Paint Acc.
- Fun & Flotation
- Topside Acc.
- Cockpit & Deck
- Hardware, Fasteners
- Camouflage
- Misc.



Skipper Hydraulic Power Units



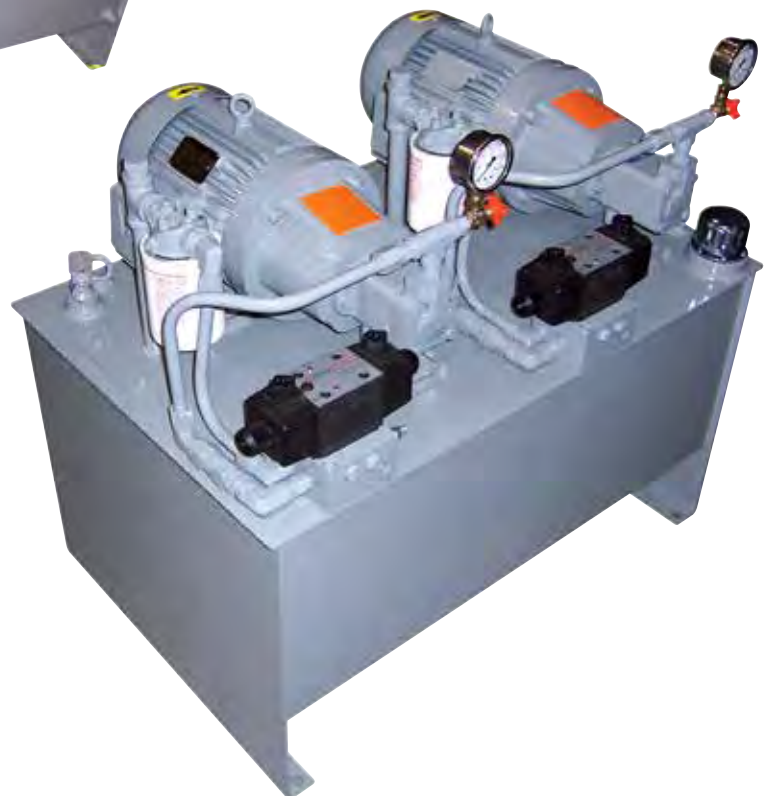
Independent Rudder - DP Ready System



Triplex Steering/Flanking/Auxiliary



Standard Steering Duplex



Commercial

- Electronics
- Trolling Motors
- Instruments
- Electrical
- Lighting
- Anchor & Dock
- Safety
- Steering, Controls
- Pumps
- Fuel System
- Seating & Pedestals
- Trailering
- Tops & Covers
- Perform.
- Propellers
- Engine & Care
- Cleaning & Care
- Paint & Paint Acc.
- Fun & Flotation
- Topside Acc.
- Cockpit & Deck
- Hardware, Fasteners
- Camouflage
- Misc.

Comm.

Skipper Control Panels

Skipper Super Redundant EFFU S & F Control Panel



- Standard Skipper Main/Flanking System
- Complete with (2) Pump Unit Control, FFU/NFU Mode Select and Low Level Alarms.

Skipper No.	Description
310290	EFFU S & F Control Panel

Skipper EFFU S & F Control Panel



- Standard Skipper Main/Flanking System
- Complete with (2) Pump Unit Control, FFU/NFU Mode Select and Low Level Alarms.

Skipper No.	Description
702577	(EFFU) S & F Control Panel

Skipper Triplex Control Panel



- Main/Auxiliary/Flanking System.
- Complete with (3) Pump Unit Control, FFU/NFU Mode Select and Low Level Alarms.

Skipper No.	Description
305006	Triplex Control Panel
814120	Triplex Superredundant Control Panel

Skipper Steering Control Panel



- Steering.
- Complete with (2) Pump Unit Control, FFU/NFU, Aft Station and Autopilot, Mode Select and Low Level Alarm.

Skipper Custom Control Panels



- FFU/NFU.
- System 1 and 2.



- Generator On & Off.



- Upper Wheelhouse Station.



- Elevating Pilot House Control Panel.

- Electronics
- Trolling Motors
- Instruments
- Electrical
- Lighting
- Anchor & Dock
- Safety
- Steering, Controls
- Pumps
- Fuel System
- Seating & Pedestals
- Trailer
- Tops & Covers
- Perform.
- Propellers
- Engine & Care
- Cleaning & Care
- Paint & Paint Acc.
- Fun & Flotation
- Topside Acc.
- Cockpit & Deck
- Hardware, Fasteners
- Camouflage
- Misc.

Skipper Alarms and ER Steering System • Compliant with Sub Chapter M & K

Skipper Wheel House Alarm



Skipper Engine Room Alarm



- Electronics ■ • Panel Mount.
- Electronics ■ • PLC in Separate Enclosure.
- Trolling Motors ■ • Power Failure.
- Trolling Motors ■ • Alarm Power Battery Backup.
- Instruments ■ • Control Power Failure.
- Instruments ■ • Motor Overload.
- Electrical ■ • Motor Phase Failure.
- Electrical ■ • Steering & Flanking FFU Failure.
- Lighting ■ • Oil Low Level.
- Lighting ■ • Oil High Temp.
- Anchor & Dock ■ • Complete for system (1) & (2).

- PLC Based.
- In NEMA 4 Enclosure for Engine Room Alarm.
- Power Failure.
- Alarm Power Battery Backup.
- Control Power Failure.
- Motor Overload.
- Motor Phase Failure.
- Steering & Flanking FFU Failure.
- Oil Low Level.
- Oil High Temp.
- Complete for system (1) & (2).

Engineer's Alarm Panel



Engineer's Station: Steering and Flanking (Alternate Location of Steering Control)



- Safety ■
- Steering, Controls ■
- Pumps ■
- Fuel System ■
- Seating & Pedestals ■
- Trailing ■
- Tops & Covers ■
- Perform. ■ • Takeover Switch.
- Perform. ■ • System Selector.
- Propellers ■ • Duplicated Wheelhouse Alarm.
- Propellers ■ • Required for Sub Chapter M and K.

- Complete with RAI, NFU and Separate Feedback Unit.
- Required for Sub Chapter M and K Compliance.

PLC Based



Battery Backup



- Cleaning & Care ■
- Paint & Paint Acc. ■
- Fun & Flotation ■
- Topside Acc. ■
- Cockpit & Deck ■
- Hardware, Fasteners ■
- Camouflage ■
- Misc. ■

- UPS Battery Backup
- Required 1 Per System.

Skipper No.	Description
366167	PLC Based

Skipper No.	Description
366155	(DE 400)

Telcor Digitally Integrated Alarm Package Compliant with Subchapter M & K

- Complete for wheelhouse and engine room.
- Requires one battery backup per system.
- Custom built for all work boats.
- 4" Touchscreen for easy calibration and user interface.
- Digital RAI included.
- Fault alarms can be stored up to 30 days.
- Engine room requires emergency steering station for steering & flanking.



- Standard Alarms for Subchapter M & K:
 - Power Failure
 - Control Power Failure
 - Motor Phase Failure
 - Oil Low Level
 - Off Course
 - Motor Overload
 - Steering & Flanking FFU Failure
 - Oil High Temp



Follow Up Control System Amplifiers

Custom Control Amplifier



Sentinel Amplifier, 110 VAC In/Out



- Electronics
- Trolling Motors
- Instruments
- Electrical
- Lighting
- Anchor & Dock
- Safety
- Steering, Controls
- Pumps
- Fuel System
- Seating & Pedestals
- Trailering
- Tops & Covers
- Perform.
- Propellers
- Engine & Care
- Cleaning & Care
- Paint & Paint Acc.
- Fun & Flotation
- Topside Acc.
- Cockpit & Deck
- Hardware, Fasteners
- Camouflage
- Misc.

- This little mule, at 110V AC in and out, is a workboat staple and as trouble free as it gets.

Skipper No.	Description
271320	(FUA-500) Custom Control Amplifier

- A supply vessel sweetheart, two speed capable and versatile enough to adapt to most DP systems.

Skipper No.	Description
246505	(SCA-01) Sentinel Amplifier, 110 VAC In/Out

Skipper Amplifier



- Siemens PLC based platform.
- Dual channel - 1 amp can steer and flank.
- Two speed inherent.
- Any input/feedback voltages.
- NEMA 4x enclosure. DP compatible.
- Internal visual alarms to indicate input/output failures.
- Program memory disc included.

Skipper No.	Description
365139	(SDCA-1000) Skipper Amplifier

Deck Machinery Control Logic



- Along with our Custom Electrical Logic Design Work, Skipper keeps reversing magnetic starters in stock. Complete with additional remote control pendants. All NEMA 4X. Stainless enclosures are available on request.
- Reversing Magnetic Starters in NEMA 4X Enclosures with remote pendants.

Skipper No.	Description
507105	Reversing Magnetic Starter - 5 HP @ 208V AC
507117	Reversing Magnetic Starter - 7.5 HP @ 208V AC

Skipper Magnetic Motor Starters

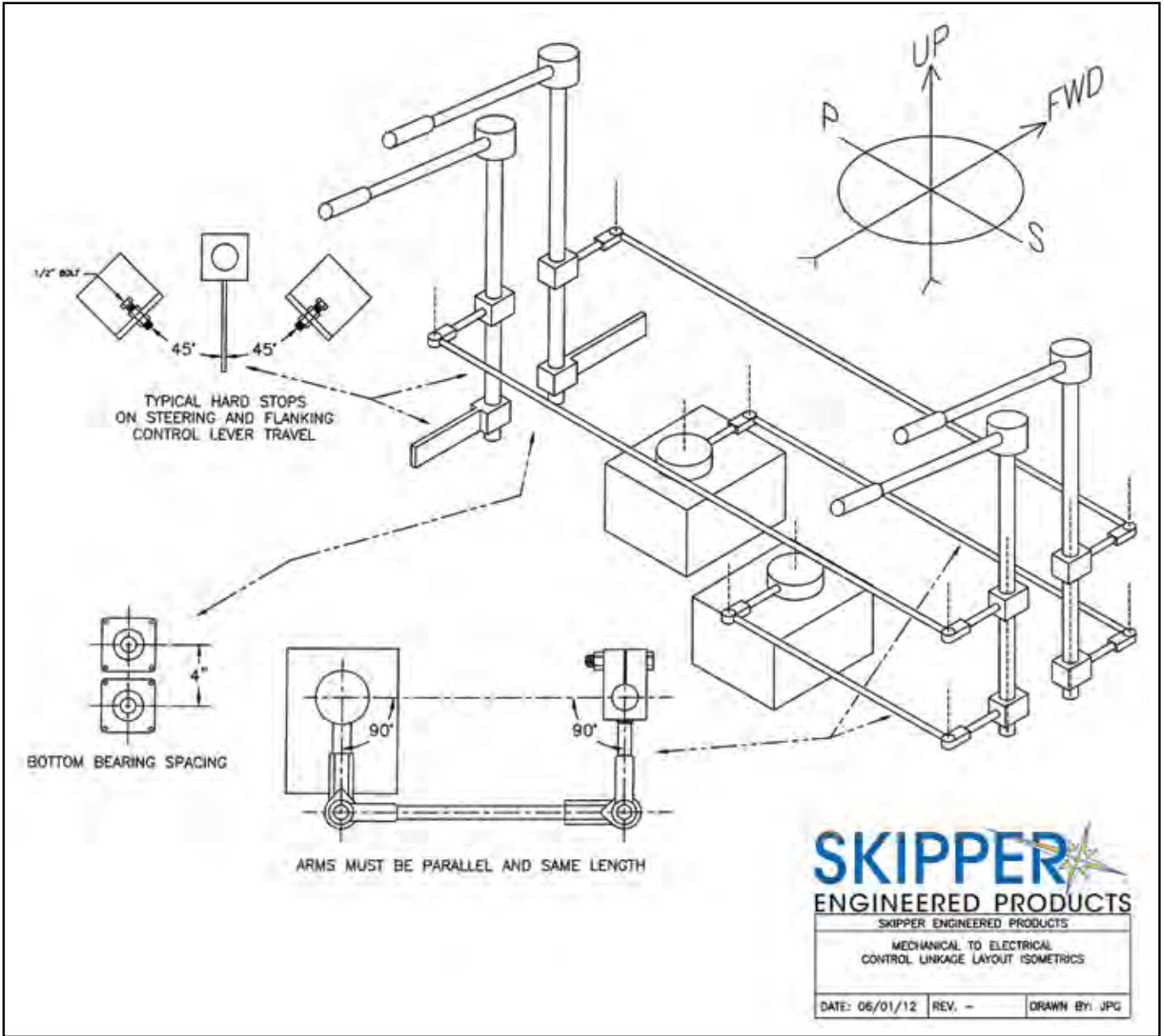


- Included in all Skipper Steering Packages.
- Across the line motor starters, complete with 110V AC starting coils, ABB Brand, in NEMA 4X enclosures.
- All pre-wired.



Electro-Hydraulic Steering Components

Electro-Hydraulic Steering Components. Today's vessels require the precision control and ease of electro-hydraulic controls, featuring the ability to interface with auto-pilots and dynamic positioning, with redundant systems that meet USCG & ABS Requirements.



- Electronics
- Trolling Motors
- Instruments
- Electrical
- Lighting
- Anchor & Dock
- Safety
- Steering, Controls
- Pumps
- Fuel System
- Seating & Pedestals
- Trailering
- Tops & Covers
- Perform.
- Propellers
- Engine & Care
- Cleaning & Care
- Paint & Paint Acc.
- Fun & Flotation
- Topside Acc.
- Cockpit & Deck
- Hardware, Fasteners
- Camouflage
- Misc.

Steering and Flanking Stacked Levers

- Skipper Wheelhouse Hardware: Make your workboat wheelhouse look old school.
- These stainless and wood steering levers adapt beautifully to today's electro-hydraulic controls and still maintain that classic pushboat look and feel.

Skipper No.	Description
362400	18" Stainless Steering Levers with Mahogany Finish Grips
362424	Black Anodized Dual Escutcheon Plate

INSTALLATION ACCESSORIES

Skipper No.	Description
362917	Set of 4 Machined Lever Shafts, 1-1/4" Diameter, 5' Long
253461	1-1/4" Diamond Flange Floor Bearing



Non Follow Up, Jog, Bang-Bang Steering Levers

Call 'em whatever you like, they all feature heavy duty sealed micro switches with years of cycles built in.

Skipper Dual NFU Lever - Flush Mount Style



- For over 30 years, the jog lever of choice for wheelhouse console stations.

Skipper No.	Description
266580	Skipper NFU Jog Lever Kit

Telcor Jog Lever



- Full-follow up.
- Single or double precision potentiometer.
- 0° - 45°.
- Bulkhead or flush mount.

Skipper No.	Description
Special Order	Telcor Jog Lever

Kobelt Watertight and Weatherproof Jog Levers



441042



441129

- Non-follow up.

Skipper No.	Description		
441042	(7170A2)	NFU Jog Lever	Single Microswitch
441129	(7196)	Dual NFU Jog Lever	2 Speed

Jastram Watertight and Weatherproof Follow Up Levers



- Full-follow up.
- Suitable for indoor and outdoor stations.
- Available in single and double potentiometer versions.
- 45°/45° Swing and movement with proportionality.

Skipper No.	Description
419130	(LC100-1) Lever - Single 1K Potentiometer
419132	(LC100-2) Lever - Two 1K Potentiometer, for Redundant or Split Systems

Jastram Watertight and Weatherproof Jog Levers



- Non-follow up.
- Ideal for indoor and outdoor stations.
- Available in single and double microswitch versions.

Skipper No.	Description
400101	(JA-701005-1) Jastram Jog Lever JO-100-1
419110	(JA-701005-2) Jastram Jog Lever JO-100-2

- Electronics
- Trolling Motors
- Instruments
- Electrical
- Lighting
- Anchor & Dock
- Safety
- Steering, Controls
- Pumps
- Fuel System
- Seating & Pedestals
- Trailering
- Tops & Covers
- Perform.
- Propellers
- Engine & Care
- Cleaning & Care
- Paint & Paint Acc.
- Fun & Flotation
- Topside Acc.
- Cockpit & Deck
- Hardware, Fasteners
- Camouflage
- Misc.

Telcor Rudder Angle Indicator



- Used with 1K potentiometer.
- 35° or 45° Angle.
- 3" or 5" Face.

Telcor RAI Dimmer Switch



- 2944G Dimmer Assembly.

Kobelt Meters



- Kobelt Master RAI.
- 12 or 24 VDC, illuminated, span adjustable.
- Requires no meter module.
- Works directly from your 1K potentiometer.

Skipper No. Description
441064 (7175-MA) Kobelt Master RAI

- Kobelt Slave Meter.
- 12 or 24 VDC, illuminated, span adjustable.
- Requires no meter module. Works directly from your master meter.

Skipper No. Description
441054 (7175-SA) Kobelt Slave Meter

Jastram 3 Wire Rudder Input



- Single 1K potentiometer.
- 45°/45° Swing and movement with proportionality.
- For linking to Skipper classic wheel house hardware.

Skipper No. Description
419160 (RFU300)
419134 (RFU400) Includes: RAI Translator Board
419184 (RFU2000-2210) Rudder Feedback Unit

Telcor Rudder Feedback Unit



- Complete with dual (4) limit switches and two potentiometers.

Skipper No. Description
437043 (7304-1K) Telcor Rudder Feedback Unit

Slotted 1K Replacement Potentiometer



Skipper No. Description
419223 (SP226 3173-1K) Skipper Slotted 1K Repl. Potentiometer
419350/419401 Jastram 1K Potentiometer with Gear

Kobelt Rudder Feedback Unit



- Complete with dual (4) limit switches and two potentiometers.

Skipper No. Description
441028 (7174BG) Kobelt Rudder Feedback Unit

Kobelt Small Feedbacks



- Kobelt Small Feedback (1K).
- Single 1K potentiometer.
- No switches.
- Great for rudder angle indicator driving.

Skipper No. Description
441066 (7168P) Kobelt Small Feedback (1K)

- Kobelt Small Feedback.
- Twin 1K potentiometers.
- Redundant or split rudder angle indicator systems.

Skipper No. Description
441079 (7168PP) Kobelt Small Feedback

- Electronics
- Trolling Motors
- Instruments
- Electrical
- Lighting
- Anchor & Dock
- Safety
- Steering, Controls
- Pumps
- Fuel System
- Seating & Pedestals
- Trailering
- Tops & Covers
- Perform.
- Propellers
- Engine & Care
- Cleaning & Care
- Paint & Paint Acc.
- Fun & Flotation
- Topside Acc.
- Cockpit & Deck
- Hardware, Fasteners
- Camouflage
- Misc.

Skipper Welded Body Cylinders



Skipper Cylinders have become the dimensional standard for inland pushboats, complete with 2500 PSI Rating and 303 marine grade stainless, chrome plated rods. Skipper stocks the complete line of 3", 3.5" and 4" bore cylinders. Along with all their accessories at our Harahan Location.

Skipper Standard Cylinders



- Featuring 303 SS Piston Rods, 2500 PSI Rating and Skipper Accessories.

Skipper No.	Description
233801	(SBC3018-S1) Cylinder Complete with Clevis
233813	(SBC3524-S2) Cylinder
233825	(SBC4024-S3) Cylinder
233837	(SBC4030-S3) Cylinder

Skipper Standard Cylinder Accessories



- The following cylinder accessories are made to those same standard Skipper dimensions.
- Clevises, Rodeyes and Mounting Brackets are fabricated from cut steel to ease field modifications and re-boring.
- All pins are machined from 17-4PH stainless (boat shaft).

Skipper No.	Description
361016	(3018) Clevis, 1"-14
233851	(B3) Eye Bracket
233863	1" SS 17-4 Clevis Pins with Cotter
254792	(E8) Rodeye Assembly Complete
254691	(WWC-435B) Clevis Threaded, 1.25-12
254805	(B4) Eye Bracket
233875	1-1/4" SS 17-4 Clevis Pins with Cotters
254780	(E10) Rodeye Assembly Complete
254689	(WWC-435) Clevis Threaded, 1.50-12
254805	(B4) Eye Bracket
305101	(E10) 1-1/2" SS 17-4 Rodeye Pin

Skipper Cylinders - Made to NFPA JIC Dimensions



- The following welded body cylinders and accessories are made to NFPA JIC dimensions, to replace your long lead time, high priced JIC, NFPA Tie-Rod Type Cylinders.
- These cylinders are manufacturer by Hanna Corp., a long time leading manufacturer of JIC Cylinders.
- Comes complete with a 2500PSI rating and 303 marine grade stainless, chrome plated rods.

Skipper No.	Description
401264	Hanna - MP1-NON-NC-5 x 24 KIM 1G
401276	Hanna - MP1-NON-NC-5 x 30 KIM 1G
401288	Hanna - MP1-NON-NC-5 x 36 KIM 1G
256075	Cylinder JIC SBC 6030 KIM SS
256087	Cylinder JIC SBC 6036 KIM SS
256063	Cylinder JIC SBC 6042 KIM SS

Skipper Cylinder Accessories



- The following cylinder accessories are made to JIC, NFPA dimensions.
- Clevises, Rodeyes and Mounting Brackets are fabricated from cut steel to ease field modifications and re-boring.
- All pins are machined from 17-4PH stainless (boat shaft).

Skipper No.	Description
601078	(Y7/E15) Best Rodeye 2.25-12
260036	(BDC-25) 2.25-12 Clevis
601080	(B5) Best Eye Bracket, JIC
601092	1.75 x 6" Heel Pin SS 17-4
362359	2.5" x 7" Rodeye Pin
256099	(B6) Eye Bracket
361005	2" x 6" Heel Pin SS 17-4

- Electronics
- Trolling Motors
- Instruments
- Electrical
- Lighting
- Anchor & Dock
- Safety
- Steering, Controls
- Pumps
- Fuel System
- Seating & Pedestals
- Trailering
- Tops & Covers
- Perform.
- Propellers
- Engine & Care
- Cleaning & Care
- Paint & Paint Acc.
- Fun & Flotation
- Topside Acc.
- Cockpit & Deck
- Hardware, Fasteners
- Camouflage
- Misc.
- Comm.

Donaldson In-Line Check Valves



- Check valves isolate and protect.
- Selector valves direct flow to either of two locations.
- Dual pilot operated check valves "lock" out back pressure from other stations.

Skipper No.	Description
255023	(CV08P-65) Donaldson 1" 65# Check Valve
255035	(CV10P-65) Donaldson 1-1/4" 65# Check Valve
255073	(CV10P-5) Donaldson 1-1/4" 5# Check Valve
255097	(CV08P-5) Donaldson 1" 5# Check Valve

Quadrant Isolation Ball Valves



- A great assist in component isolation, system adjustment and trouble shooting.

Skipper No.	Description
235196	Quadrant 1/2" NPTF Stainless Ball Valve
236201	Quadrant 3/4" NPTF Stainless Ball Valve

Daman Subplates



- Daman, long a leading manufacturer of manifolds and subplates have long been a mainstay of Skipper Systems and come in ductile iron for regulatory body approval.
- They make an excellent match for Sun Hydraulic's Cartridge Technology.

Skipper No.	Description
694326	(AD05SPRV8S) Subplate
695037	(AD05S023SS) Dual Subplate
253118	(AD08SPRV16S) Subplate
253283	(AD08SPST16P) Subplate
253297	(AD08SPS016S) Subplate
694100	(DD05SPRV8S) Ductile Iron Subplate
694338	(AD05JSPRV16) Subplate
694340	(AD05JSPS16S) Subplate
694352	(AD05HSPRV12S) Subplate
694364	(AD05HSPS12S) Subplate

Brand Hydraulic's Classic Bypass Type Flow Controls



- Invaluable in those engine driven pump applications.

Skipper No.	Description
694403	(FC51) Brand 1/2" Flow Regulator
264983	(FC51) Brand 3/4" Flow Regulator

Solenoid Operated Directional Control Valves



- Solenoid operated directional control valves and subplates in multiple spool configurations and operating voltages and featuring modern system improvements like slow shift and shockless operation.

Skipper No.	Description
253282	(D08) Open Center Directional Valve
255249	(D08) Tandem Center Slow Shift Directional Valve
255124	(D05) Tandem Center Slow Shift Directional Valve
695102	(D05) Tandem Center Shockless Directional Valve
694768	(D05) Tandem Center Directional Valve, 12 VDC
255047	(D03) Pilot Valve, 110V AC
255059	(D03) Pilot Valve, 110V AC
240096	Magnatrol Poppet Valve, 1" NPT, 24 VDC, N.O., 500 PSI
240109	Magnatrol Poppet Valve, 1-1/4" NPT, 24 VDC, N.O., 500 PSI

Jastram Manual Steering Helms



- Manual steering helms: Jastram makes the larger displacement helms for use on smaller workboats and larger pleasure vessels.

Skipper No.	Description
419211	(JA-521011) Jastram Header Tank, Aluminum
419222	(H110) Jastram 11.0 CID Helm

Electronics
Trolling Motors
Instruments
Electrical
Lighting
Anchor & Dock
Safety
Steering, Controls
Pumps
Fuel System
Seating & Pedestals
Trailer
Tops & Covers
Perform.
Propellers
Engine & Care
Cleaning & Care
Paint & Paint Acc.
Fun & Flotation
Topside Acc.
Cockpit & Deck
Hardware, Fasteners
Camouflage
Misc.

Reservoirs and Reservoir Accessories



211300



254350



260012

- Complete with (2) suction strainers, return line filter, filler breather, sight level gauge with temp and optional low level sensor.

Skipper No.	Description
254595	Skipper Reservoir, 50 Gallon
211300	(B1000N) A.C.T. Level Float Sensor
254350	(ABB-40-N) Donaldson Filler Breather Assembly
255085	(SMBB-80-N-0) Stauff Filler Breather with Adjustable Dipstick
254665	(LHA LG5T) Sight Gauge, C/W Thermometer
255112	(HSG55) Hydrocraft Sight Gauge, C/W Thermometer
694807	(SWS N04 A2) Stauff Gauge Isolator
254831	(P169015) Donaldson In Tank Sump Strainer, SEH-20-1-1/4-100
253423	(CF-1P-140-A-SAE) 0-2000 PSI Pressure Gauge
260012	(JSMO-2000PS) McDaniels Pressure Gauge
398316	(WIKA 213.53) 2.5 LM 0-2000 K Pressure Gauge
398328	(WIKA 213.53) 2.5 LM 0-3000 K Pressure Gauge

Filters



694718



254970

Skipper No.	Description
692411	(O160MA010P) Hydac 10M Element
254970	(RTF48N25) Stauff D10B/S1/V Return Filter with Indicator
255263	(CI-20) Stauff Indicator Gauge
694718	(MFP160G1A10) Hydac Return Line Filter
695544	(O080MA010P) Hydac Elements RF

Valves



Skipper No.	Description
253409	(SS-2A1D) Prince Single Selector Valve
253411	(S-75) Gresen 3-Way Selector Valve
253396	(CP410-1-B650) Sauer Lock Valve, For your Orbital and Auto Pilot Interface Systems

Sun Relief Cartridges



- Relief valve system protection: Sun offers the highest reset values and cartridge technology too.

Skipper No.	Description
694251	(RPGC-LAN) Sun Relief Cartridge, 0-3000 PSI
694427	(RPEC-LAN) Sun Relief Cartridge, 0-3000 PSI

- Electronics
- Trolling Motors
- Instruments
- Electrical
- Lighting
- Anchor & Dock
- Safety
- Steering, Controls
- Pumps
- Fuel System
- Seating & Pedestals
- Trailer
- Tops & Covers
- Perform.
- Propellers
- Engine & Care
- Cleaning & Care
- Paint & Paint Acc.
- Fun & Flotation
- Topside Acc.
- Cockpit & Deck
- Hardware, Fasteners
- Camouflage
- Misc.
- Comm.

Follow Up Steering Levers and Wheels

Follow Up Control is the preferred method of vessel handling - your wheelhouse input device controls and maintains the desired rudder position, effortlessly.

Kobel Follow Up Helm



- Featuring (3) 1K potentiometers, for redundant or split systems.
- Requires 3 wheel turns lock-to-lock.
- Note: Wheel not included.
- Adapts to customer's wheel or Skipper #436534 - 24" Diameter Wheel as shown in photo.

Skipper No. Description
441016 (7172BP PP) Follow Up Helm

Actuating Column



- Actuating Column; Takes the hassle out of building a behind-console mount.

Skipper No. Description
254537 (150-5066) Orbitrol Actuating Column
271445 (OHM000) Custom Helmster - The Beginner's Orbitrol Column

Kobel Follow Up Lever/Helm



- For that classic helmsman approach, especially well suited for higher speed vessels.
- 45°/45° Swing and movement.
- Two 1K potentiometers for redundant or split systems.
- Self contained half-wheel.

Skipper No. Description
441105 (7171SW PP) Follow Up Lever/Helm

System Power Accessories



Skipper No. Description
419122 Jastram Dimmer - Regulates Rudder Angle Indicator, Brightness for Nighttime Viewing
362678 (PR4.5) Power Supply - Excellent 110V AC to 12 VDC Converter for RAI Systems
256138 (N2412-12) Astron 24 VDC to 12 VDC Converter

Schmitt Steering Wheels and Accessories



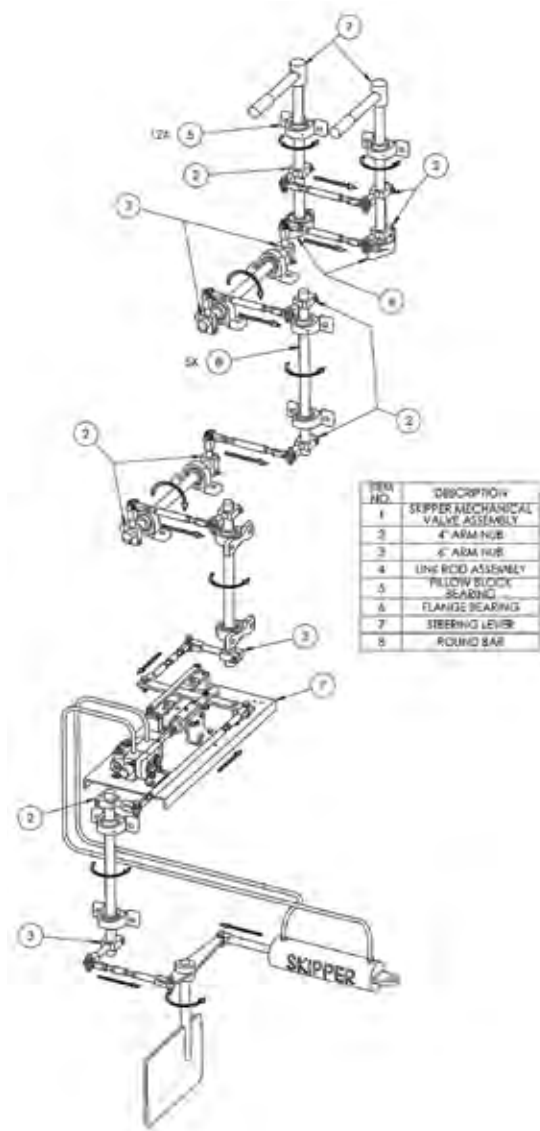
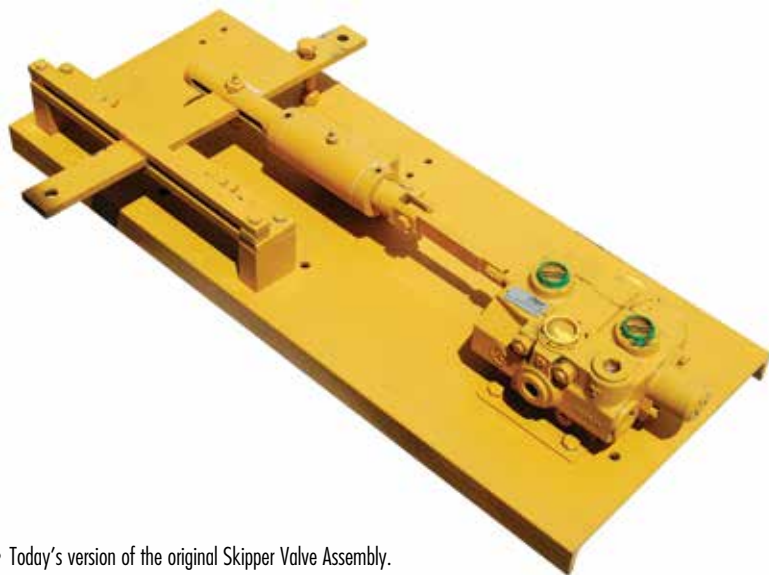
- For a super sleek appearance in your wheelhouse, why not finished stainless?

Skipper No. Description
436534 (153-24-17) 1" Straight Bore, 24" SS Wheel
602790 (153-24-1-C) 1" Char Lynn Bore, 24" SS Wheel

- Electronics
- Trolling Motors
- Instruments
- Electrical
- Lighting
- Anchor & Dock
- Safety
- Steering, Controls
- Pumps
- Fuel System
- Seating & Pedestals
- Trailer
- Tops & Covers
- Perform.
- Propellers
- Engine & Care
- Cleaning & Care
- Paint & Paint Acc.
- Fun & Flotation
- Topside Acc.
- Cockpit & Deck
- Hardware, Fasteners
- Camouflage
- Misc.

Skipper Full Follow Up Control Valve Assembly

Skipper began in 1959, with the first, the original mechanical Full Follow Up Control Valve Assembly. Still crafted today and stocked at our Harahan Location, along with the required, modern day version of the linkage pieces and parts it was installed with.



ITEM NO.	DESCRIPTION
1	SKIPPER MECHANICAL VALVE ASSEMBLY
2	4" ARM HUB
3	4" ARM HUB
4	LINK ROD ASSEMBLY
5	FLANGE BEARING
6	FLANGE BEARING
7	STEERING LEVER
8	ROUND BAR

- Electronics
- Trolling Motors
- Instruments
- Electrical
- Lighting
- Anchor & Dock
- Safety
- Steering, Controls
- Pumps
- Fuel System
- Seating & Pedestals
- Trailing
- Tops & Covers
- Perform.
- Propellers
- Engine & Care
- Cleaning & Care
- Paint & Paint Acc.
- Fun & Flotation
- Topside Acc.
- Cockpit & Deck
- Hardware, Fasteners
- Camouflage
- Misc.

• Today's version of the original Skipper Valve Assembly.

Skipper No.	Description
305068	Full Follow Up Control Valve Assembly

Skipper Linkage Components



Skipper No.	Description
238003	Knub 1-1/4" Blank
703187	(YA008) 1/2" Brake Yoke, 1/2"-20
305056	Skipper - 1-1/4" x 4" Linkage Unit Complete
305075	Kit Welded Knub
254502	1/2" Female Rod End with Zerk

Cylinder/Tiller Arrangement Drawing



Technical: How about a recommended cylinder layout to utilize your new cylinders with your old tiller arrangement or mount? Skipper can do it as fast anybody.

