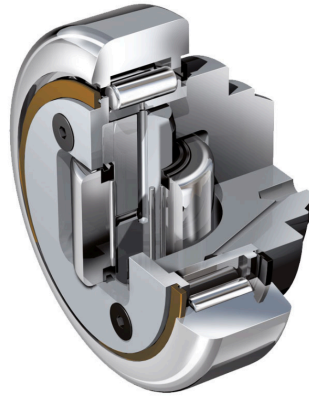


# Type: 4.054

## WINKEL Bearing axial bearing fixed

① WINKEL Bearing axial bearing fixed type 4.054 is available as type PR



Sealings 2 RS/ZRS

Top Facts Type 4.054

Top Facts 4.054 download as PDF

### Advantages WINKEL Bearing axial bearing fixed Type 4.054

- ⊕ Speed: < 1,5 m/sec
- ⊕ Clearance Bearing/Profile: 0,3 - 1,0 mm
- ⊕ Relubrication only for WINKEL-Bearings Types 4.054 - 4.064

Technical details:

WINKEL Bearing axial bearing fixed | Type 4.054

Article No. 200.001.000

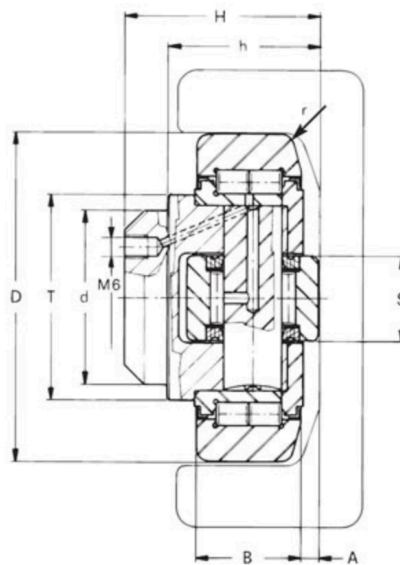
Dimensions

Load capacity

CAD Download

3D

⚙️ Technical details



#### Technical dimensions

Type	D -0.1 [mm]	T [mm]	d -0.05 [mm]	H [mm]	h [mm]	B [mm]	A [mm]	S [mm]	r [mm]
4.054	62,5	42	30	37,5	30,5	20,0	2,5	20	3

D = Outer diameter, with Tolerance, T = Flange diameter, d = bolt diameter, with Tolerance, h = Installation dimension, H = Overall height, Dimension H\* and h\* without washers; max. +2 mm Adjustment range, B = Overall width, A = Distance between axial bearing and cover, S = Axial bearing width, r = Radius