

OCR10-M45603EN

# Introduction

1.This parts catalog for 6LYA-STP, 6LYA-STE, 6LYA-UTE is published as a revised edition of the Diesel engine.

	Date of issue	Remarks
First edition	Apr.,1996	No need
1st revised edition	Mar.,1997	No need
2nd edition(supplement)	Dec.,2001	No need
3rd revised edition	June,2014	

2.Standard finish color. Yanmar eole silver Metallic

Parts No. 977620-10070 1L(Packed in a can)

Parts No. 977620-40071 4L(Packed in a can)

Parts No. TOR-94800250 Spray(1 piece)

3.This parts catalog does not contain the technical data needed for maintenance service.

4.The illustrations used in this parts catalog have been simplified for clarity.

5.The contents of this parts catalog are subject to change without notice.

6.Be sure to use only Yanmar genuine parts for repairs.If imitation parts are used, it may cause engine defects.

# Contents

Fig. No.	Fig. Name	Fig. No.	Fig. Name
6LYA-STP/-STE/-UTE		23.	COOLING WATER PIPE
1.	CYLINDER BLOCK	24.	COOLING FRESH WATER PIPE(TURBOCHARGER)
2.	GEAR HOUSING	25.	FUEL INJECTION PUMP
3.	FLYWHEEL HOUSING & ENGINE BRACKET	26.	GOVERNOR
4.	LUB. OIL SUMP & LUB. OIL PUMP	27.	FUEL FEED PUMP
5.	BREATHER	28.	TIMER
6.	CYLINDER HEAD	29.	FUEL INJECTION VALVE & FUEL INJECTION PIPE
7.	SUCTION MANIFOLD & AIR CLEANER	30.	FUEL PIPE & FUEL STRAINER
8.	TURBOCHARGER & EXHAUST MANIFOLD	31.	ENGINE STOP DEVICE
9.	TURBOCHARGER COMPONENT PARTS(TO APR. 1997)	32.	CLUTCH(OPTIONAL)
10.	TURBOCHARGER COMPONENT PARTS(TO APR. 1999)	33.	STARTING MOTOR
11.	TURBOCHARGER COMPONENT PARTS(FROM MAY 1999)	34.	GENERATOR(TO MAY 1997)
12.	CAMSHAFT & CRANKSHAFT	35.	GENERATOR(FROM JUN. 1997)
13.	AIR COOLER	55.	(35A)GENERATOR(BOSCH)
14.	PISTON & CONNECTING ROD	36.	WIRE HARNESS & SENSOR
15.	LUB.OIL COOLER & LUB.OIL STRAINER	37.	INSTRUMENT PANEL-B(OPTIONAL)
16.	LUB. OIL PIPE & NOZZLE	38.	INSTRUMENT PANEL-C(OPTIONAL)
17.	LUB. OIL PIPE(TURBOCHARGER)	39.	INSTRUMENT PANEL-E(OPTIONAL)
53.	(17A)REMOTE LUB.OIL STRAINER(OPTIONAL)	40.	INSTRUMENT PANEL-E2(OPTIONAL)
18.	BILGE PUMP(STD)(OPTIONAL)(TO DEC. 1996)	41.	INSTRUMENT PANEL-D(OPTIONAL)
19.	BILGE PUMP(DX)(OPTIONAL)(TO DEC. 1996)	42.	INSTRUMENT PANEL-B(OPTIONAL)(TO JUL. 1999)
56.	(19A)BILGE PUMP(OPTIONAL)(FROM JAN. 1997)	43.	INSTRUMENT PANEL-B(OPTIONAL)(FROM AUG. 1999)
20.	COOLING FRESH WATER PUMP & THERMOSTAT	44.	INSTRUMENT PANEL-C(OPTIONAL)(TO APR. 1998)
21.	COOLING SEA WATER PUMP	45.	INSTRUMENT PANEL-C(OPTIONAL)(TO JUL. 1999)
22.	COOLING FRESH WATER COOLER & SUB TANK	46.	INSTRUMENT PANEL-C(OPTIONAL)(TO SEP. 1999)

# Contents

Fig. No. Fig. Name

47. INSTRUMENT PANEL-C(OPTIONAL)(FROM OCT. 1999)

48. INSTRUMENT PANEL-D(OPTIONAL)(TO APR. 1998)

49. INSTRUMENT PANEL-D(OPTIONAL)(TO JUL. 1999)

50. INSTRUMENT PANEL-D(OPTIONAL)(TO SEP. 1999)

51. INSTRUMENT PANEL-D(OPTIONAL)(FROM OCT. 1999)

52. TOOL & LABEL

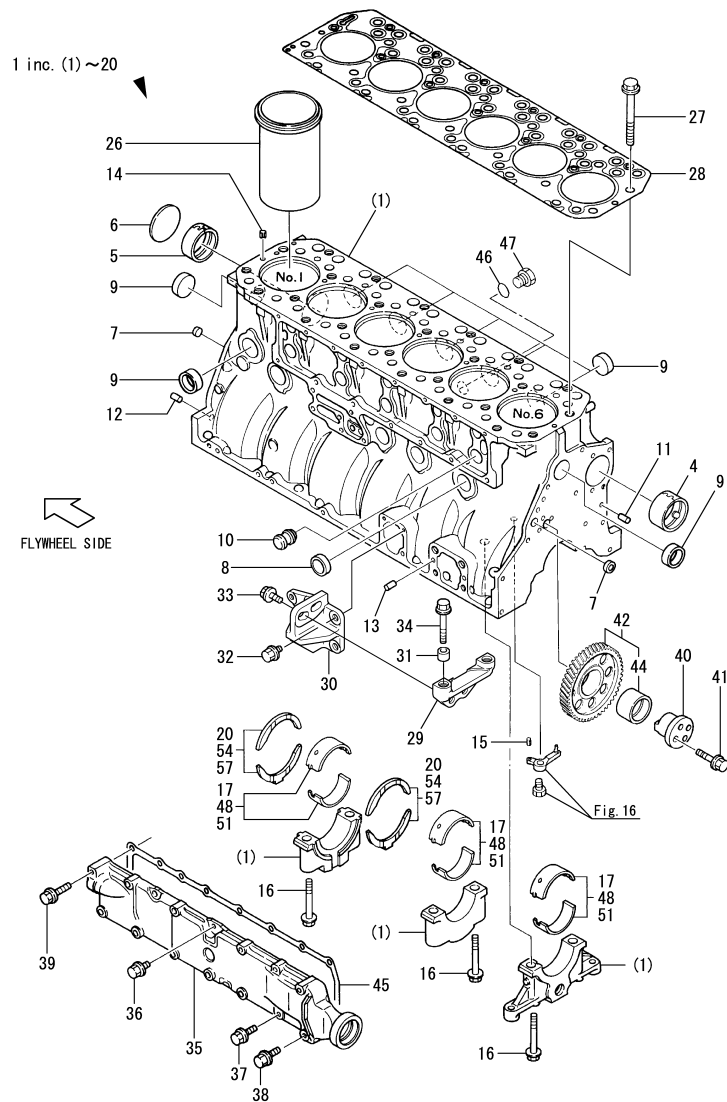
57. (52A)TOOL(STANDARD)

54. TURN OVER SWITCH(SOLAS)(OPTIONAL)

Fig. No. Fig. Name



# Fig.1. CYLINDER BLOCK



**Remarks**

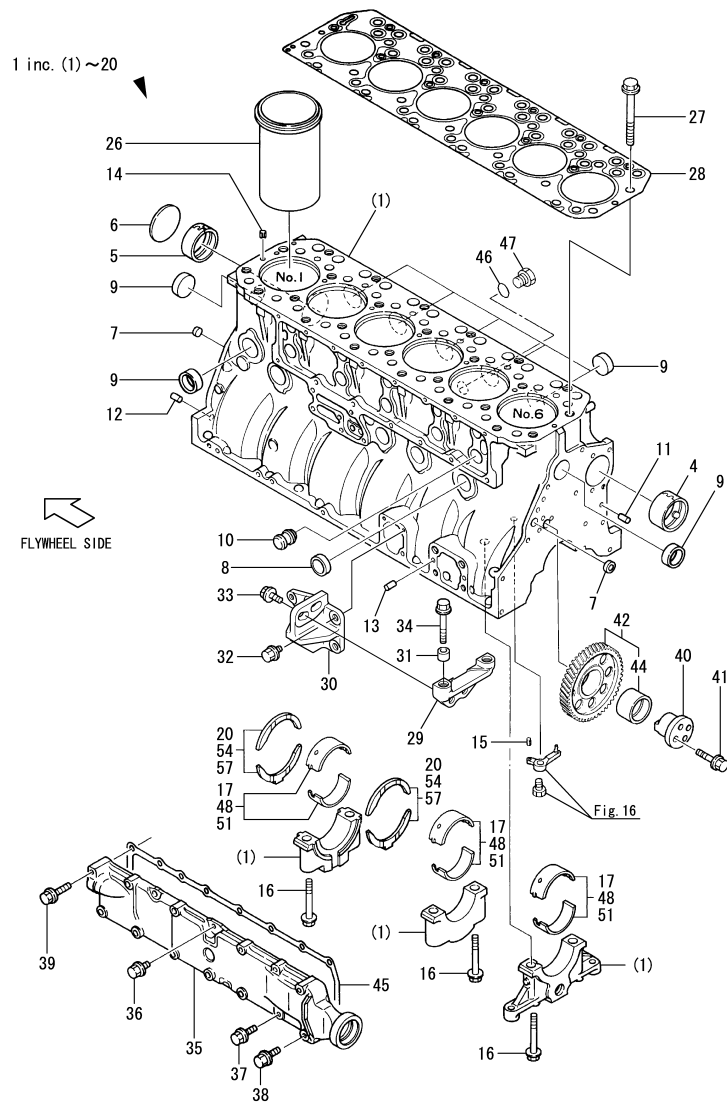
- (1) Under-sized (U.S.=0.25) parts.
- (2) Under-sized (U.S.=0.50) parts.
- (3) Over-sized (O.S.=0.25) parts.
- (4) Over-sized (O.S.=0.50) parts.
- (5) Under sized(U.S.=1.00)cannot be sold.
- (6) Over-sized (O.S.=1.00)cannot be sold.

(A)=6LYA-STP  
(B)=6LYA-STE  
(C)=6LYA-UTE

(D)=  
(E)=  
(F)=

No.	Lev.	Parts No.	Description	Qty						I	R	
				(A)	(B)	(C)	(D)	(E)	(F)			
1	1	719593-01560	BLOCK ASSY, CYLINDER		1	1						
1-1	1	719593-01561 (B=E50388) (C=*1997.12)	BLOCK ASSY, CYLINDER	1	1	1						S
1-2	1	719593-01562 (A=*2004.03)	BLOCK ASSY, CYLINDER	1								S
4	3	119000-02410	BUSH, CAMSHAFT	1	1	1						
5	3	119593-02420	BUSH, CAMSHAFT	3	3	3						
6	3	27231-650000	PLUG, 65	1	1	1						
7	3	27241-160000	PLUG, 16	2	2	2						
8	3	27241-350000	PLUG, 35		4	4						
8-1	3	119593-01880 (B=E50223) (C=E40223)	PLUG	4	4	4						N
8-2	3	119285-11990 (A=E51628) (B=E51386) (C=E40849)	PLUG, 35	4	4	4						N
9	3	119593-01870	PLUG	8	8	8						
9-1	3	119885-01990 (A=E51628) (B=E51386) (C=E40849)	PLUG, 40	8	8	8						N
10	2	119000-01840	PLUG, RUBBER	5	5	5						
11	2	22312-080160	PIN, PARALLEL M8X16		2	2						
11-1	2	129100-01580 (B=E50206) (C=E40216)	PIN, 8X16	2	2	2						R
12	2	22312-080160	PIN, PARALLEL M8X16		2	2						
12-1	2	129100-01580 (B=E50206) (C=E40216)	PIN, 8X16	2	2	2						R
13	2	22312-080160	PIN, PARALLEL M8X16		4	4						
13-1	2	129100-01580 (B=E50206) (C=E40216)	PIN, 8X16	4	4	4						R
14	2	22351-080016	PIN, SPRING 8.0X16	2	2	2						
15	2	22351-040010	PIN, SPRING 4.0X10	6	6	6						
16	2	119593-02070	BOLT, METAL CAP	14	14	14						
17	2	719593-02800	BEARING, MAIN	7	7	7						
20	2	719593-02590	BEARING, THRUST	2	2	2						
26	1	119171-01101	LINER, CYLINDER	6	6	6						
27	1	119593-01200	BOLT, HEAD	26	26	26						
28	1	119593-01342	GASKET, HEAD T=1.3	1	1	1						
29	1	119593-01801	RETAINER, PUMP	1	1	1						
30	1	119593-01811	RETAINER, PUMP	1	1	1						
31	1	124411-28400	PIN	2	2	2						
32	1	26106-080162	BOLT, M8X 16 PLATED	2	2	2						
32-1	1	26106-080202 (A=*2003.04)	BOLT, M8X 20 PLATED	4								N
33	1	26106-080202	BOLT, M8X 20 PLATED	2	2	2						
33-1	1	26106-100252 (A=*2003.04)	BOLT, M10X 25 PLATED	2								N
34	1	26106-100802	BOLT, M10X 80 PLATED	2	2	2						
35	1	119593-01751	COVER	1	1	1						
36	1	26106-080182	BOLT, M8X 18 PLATED	2	2	2						
37	1	26106-080302	BOLT, M8X 30 PLATED	10	10	10						
38	1	26106-080452	BOLT, M8X 45 PLATED	2	2	2						
39	1	26106-080502	BOLT, M8X 50 PLATED	1	1	1						
40	1	119593-25051	SHAFT, IDLE GEAR	1	1	1						

Fig.1. CYLINDER BLOCK



(A)=6LYA-STP  
(B)=6LYA-STE  
(C)=6LYA-UTE

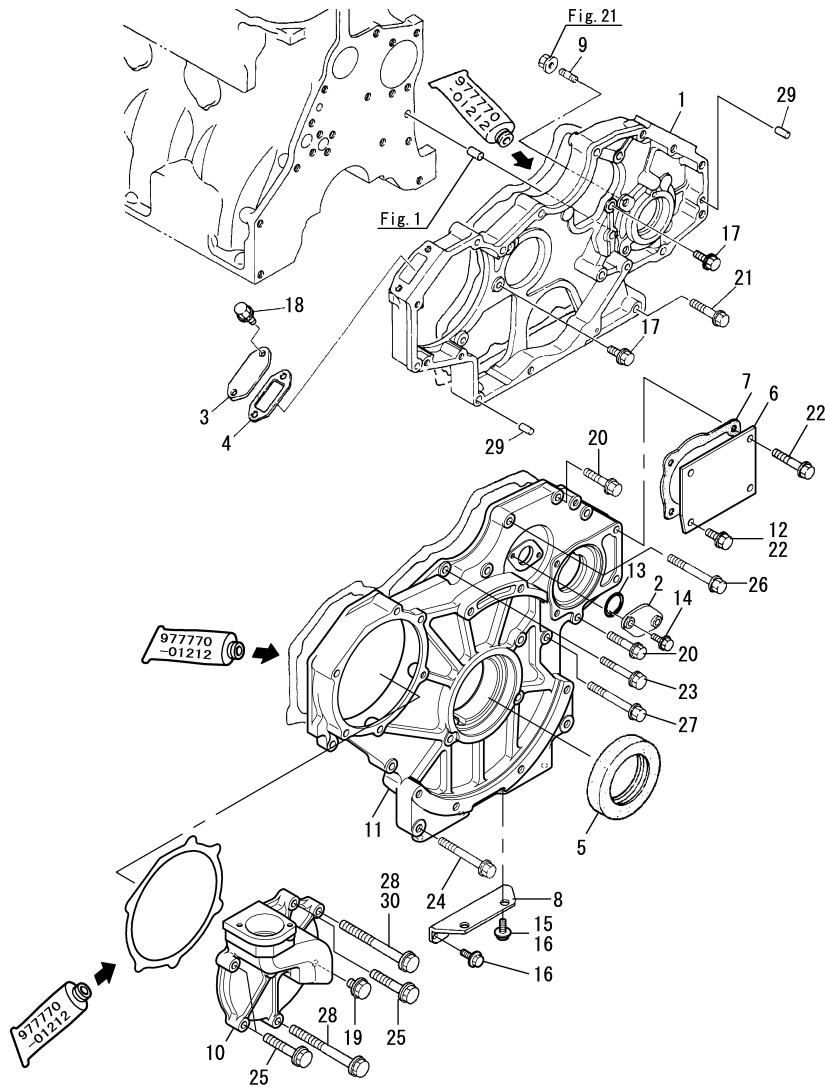
(D)=  
(E)=  
(F)=

No.	Lev.	Parts No.	Description	Q'ty						I	R
				(A)	(B)	(C)	(D)	(E)	(F)		
41	1	119593-25060	BOLT, M8X50	4	4	4					
42	1	119593-25100	GEAR ASSY, IDLE		1	1					
42-1	1	119000-25100	GEAR ASSY, IDLE Z=51	1	1	1					R
		(B=E50223) (C=E40223)									
44	2	119593-25110	BUSH, IDLE GEAR		1	1					
44-1	2	119000-25060	BUSH, IDLE GEAR	1	1	1					R
		(B=E50223) (C=E40223)									
45	1	119593-01760	GASKET	1	1	1					
46	1	23414-270035	GASKET, 27X1.0	1	1	1					
47	1	23887-270002	PLUG, 27	1	1	1					
48	1	119593-02120	METAL, MAIN 0.50 US	7	7	7					W 2
		(A=FROM 1ST) (B=FROM 1ST) (C=FROM 1ST)									
48A	1	119593-02500	METAL, MAIN 0.25 US	7	7	7					W 1
		(A=FROM 1ST) (B=FROM 1ST) (C=FROM 1ST)									
51	1	119593-02130	METAL, MAIN 1.00 US	7	7	7					W 5
		(A=FROM 1ST) (B=FROM 1ST) (C=FROM 1ST)									
54	1	119593-02170	BEARING, THRUST 0.50	2	2	2					W 4
		(A=FROM 1ST) (B=FROM 1ST) (C=FROM 1ST)									
54A	1	119593-02600	BEARING, THRUST 0.25	2	2	2					W 3
		(A=FROM 1ST) (B=FROM 1ST) (C=FROM 1ST)									
57	1	119593-02180	BEARING, THRUST 1.00	2	2	2					W 6
		(A=FROM 1ST) (B=FROM 1ST) (C=FROM 1ST)									

Remarks

- (1) Under-sized (U.S.=0.25) parts.
- (2) Under-sized (U.S.=0.50) parts.
- (3) Over-sized (O.S.=0.25) parts.
- (4) Over-sized (O.S.=0.50) parts.
- (5) Under sized(U.S.=1.00)cannot be sold.
- (6) Over-sized (O.S.=1.00)cannot be sold.

# Fig.2. GEAR HOUSING



(A)=6LYA-STP  
(B)=6LYA-STE  
(C)=6LYA-UTE

(D)=  
(E)=  
(F)=

No.	Lev.	Parts No.	Description	Qty						I	R
				(A)	(B)	(C)	(D)	(E)	(F)		
1	1	119595-01500	CASE, GEAR		1	1					
1-1	1	119593-01500	CASE, GEAR (B=FROM 1ST) (C=FROM 1ST)		1	1					R
1-2	1	119593-01501	CASE, GEAR (B=E50131) (C=E40131)	1	1	1					N
2	1	121023-01550	COVER	1	1	1					
2-1	1	121023-01551	COVER (A=*2005.08)	1							R
3	1	119000-01740	COVER	1	1	1					
4	1	119000-01771	GASKET	1	1	1					
5	1	119595-01800	SEAL, TC8010513	1	1	1					
6	1	124610-01851	COVER	1	1	1					
7	1	124610-01862	GASKET	1	1	1					
8	1	119593-01911	BRACKET	1	1	1					
9	1	121850-01920	STUD, 2D8X22	2	2	2					
10	1	119595-01930	COVER	1	1	1					
11	1	119595-01950	COVER, GEAR CASE	1	1	1					
12	1	26106-080202	BOLT, M8X 20 PLATED	2	2	2					
12-1	1	26106-080202	BOLT, M8X 20 PLATED (A=*2003.04)	2							Z
13	1	24341-000240	O-RING, 1AS24.0	1	1	1					
14	1	26106-060182	BOLT, M6X 18 PLATED	2	2	2					
14-1	1	26106-060162	BOLT, M6X 16 PLATED (A=*2003.04)	2							N
15	1	26106-080122	BOLT, M8X 12 PLATED	2	2	2					
15-1	1	26106-080122	BOLT, M8X 12 PLATED (A=*2003.04)	2							Z
16	1	26106-080162	BOLT, M8X 16 PLATED	2	2	2					
16-1	1	26106-080162	BOLT, M8X 16 PLATED (A=*2003.04)	4							K
17	1	26106-080202	BOLT, M8X 20 PLATED	5	5	5					
18	1	26106-080202	BOLT, M8X 20 PLATED	2	2	2					
19	1	26106-080202	BOLT, M8X 20 PLATED	1	1	1					
19-1	1	26106-080222	BOLT, M8X 22 PLATED (A=*2003.04)	1							N
20	1	26106-080452	BOLT, M8X 45 PLATED	3	3	3					
21	1	26106-080452	BOLT, M8X 45 PLATED	1	1	1					
22	1	26106-080502	BOLT, M8X 50 PLATED	2	2	2					
22-1	1	26106-080502	BOLT, M8X 50 PLATED (A=*2003.04)	4							K
23	1	26106-080552	BOLT, M8X 55 PLATED	3	3	3					
23-1	1	26106-080552	BOLT, M8X 55 PLATED (A=*2003.04)	1							K
24	1	26106-080752	BOLT, M8X 75 PLATED	2	2	2					
25	1	26106-080752	BOLT, M8X 75 PLATED	3	3	3					
26	1	26106-080852	BOLT, M8X 85 PLATED	1	1	1					
27	1	26106-080902	BOLT, M8X 90 PLATED	1	1	1					
28	1	26106-081202	BOLT, M8X120 PLATED	2	2	2					
28-1	1	26106-081202	BOLT, M8X120 PLATED (A=*2003.04)	1							K
29	1	22312-080160	PIN, PARALLEL M8X16	2	2	2					W

Fig.2. GEAR HOUSING

(A)=6LYA-STP  
(B)=6LYA-STE  
(C)=6LYA-UTE

(D)=  
(E)=  
(F)=

No.	Lev.	Parts No.	Description	Q'ty						I	R
				(A)	(B)	(C)	(D)	(E)	(F)		
			(B=*1997.04) (C=*1997.04)								
30	1	26106-081102	BOLT, M8X110 PLATED	1							W
		(A=*2003.04)									

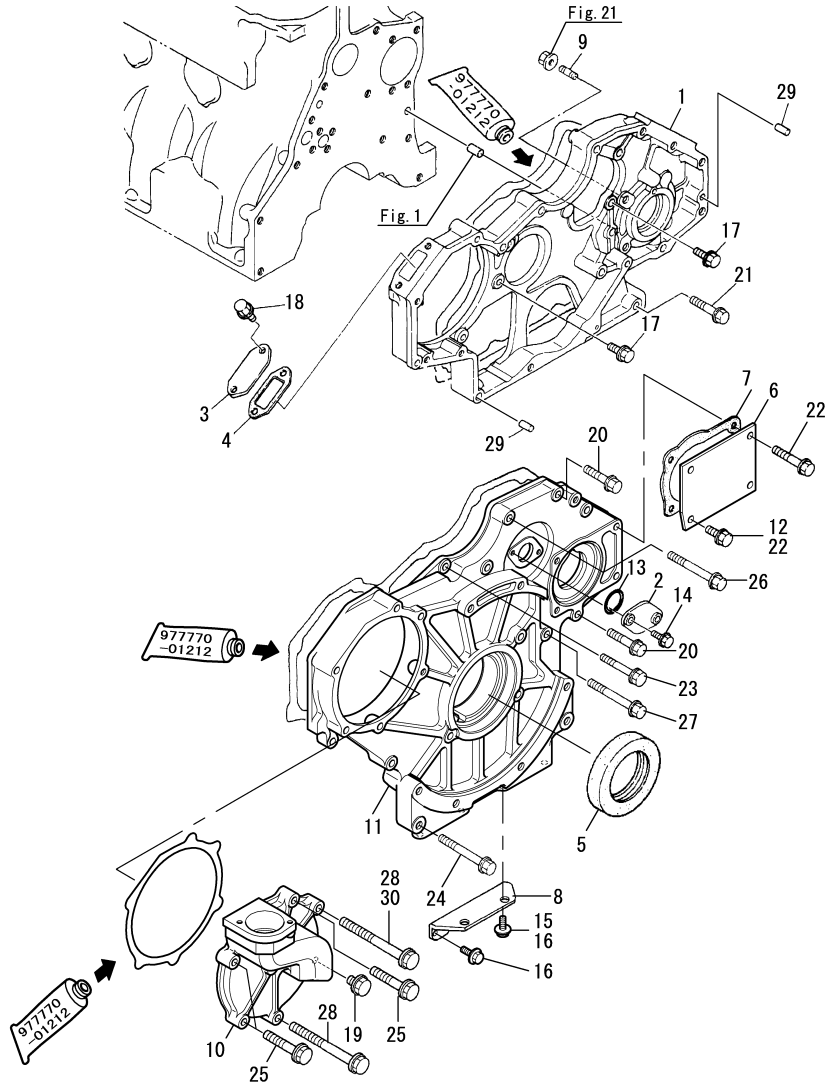
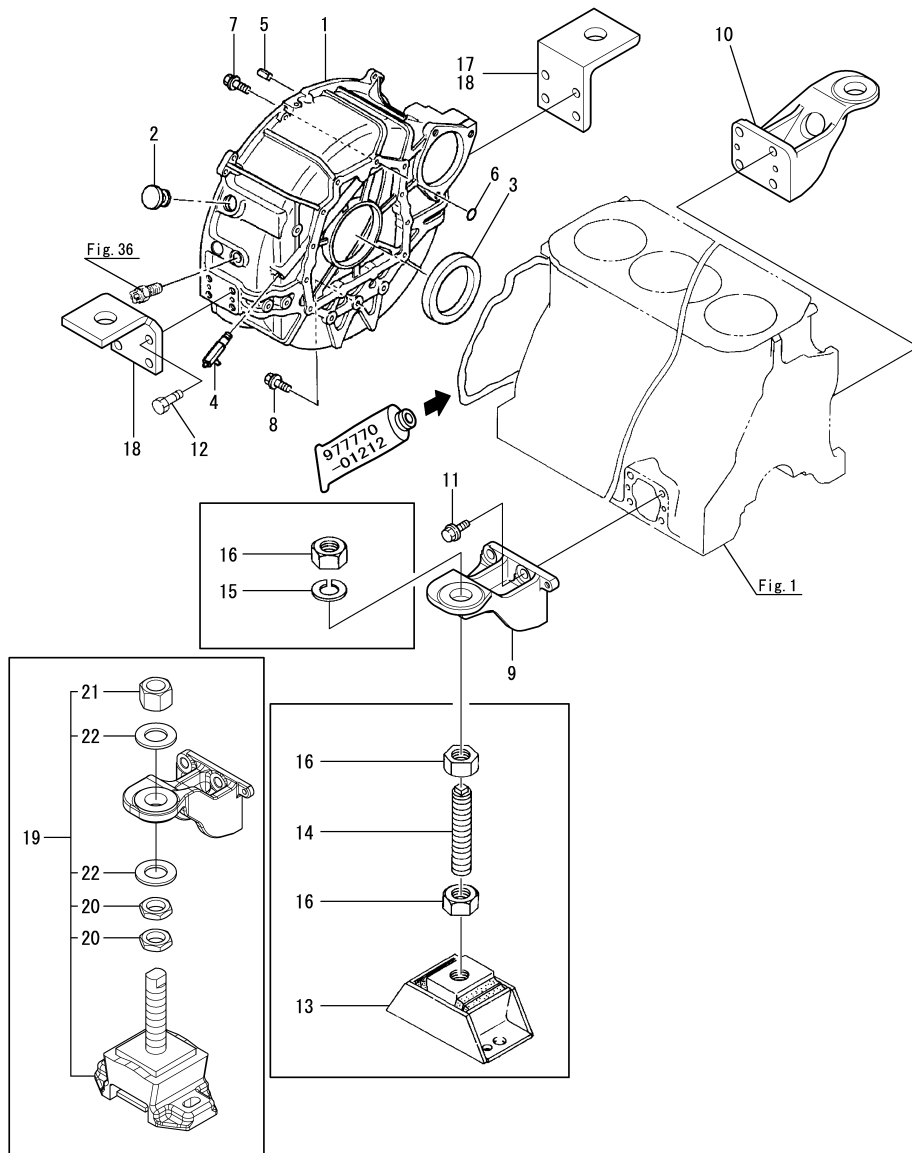


Fig.3. FLYWHEEL HOUSING & ENGINE BRACKET



(A)=6LYA-STP  
(B)=6LYA-STE  
(C)=6LYA-UTE

(D)=  
(E)=  
(F)=

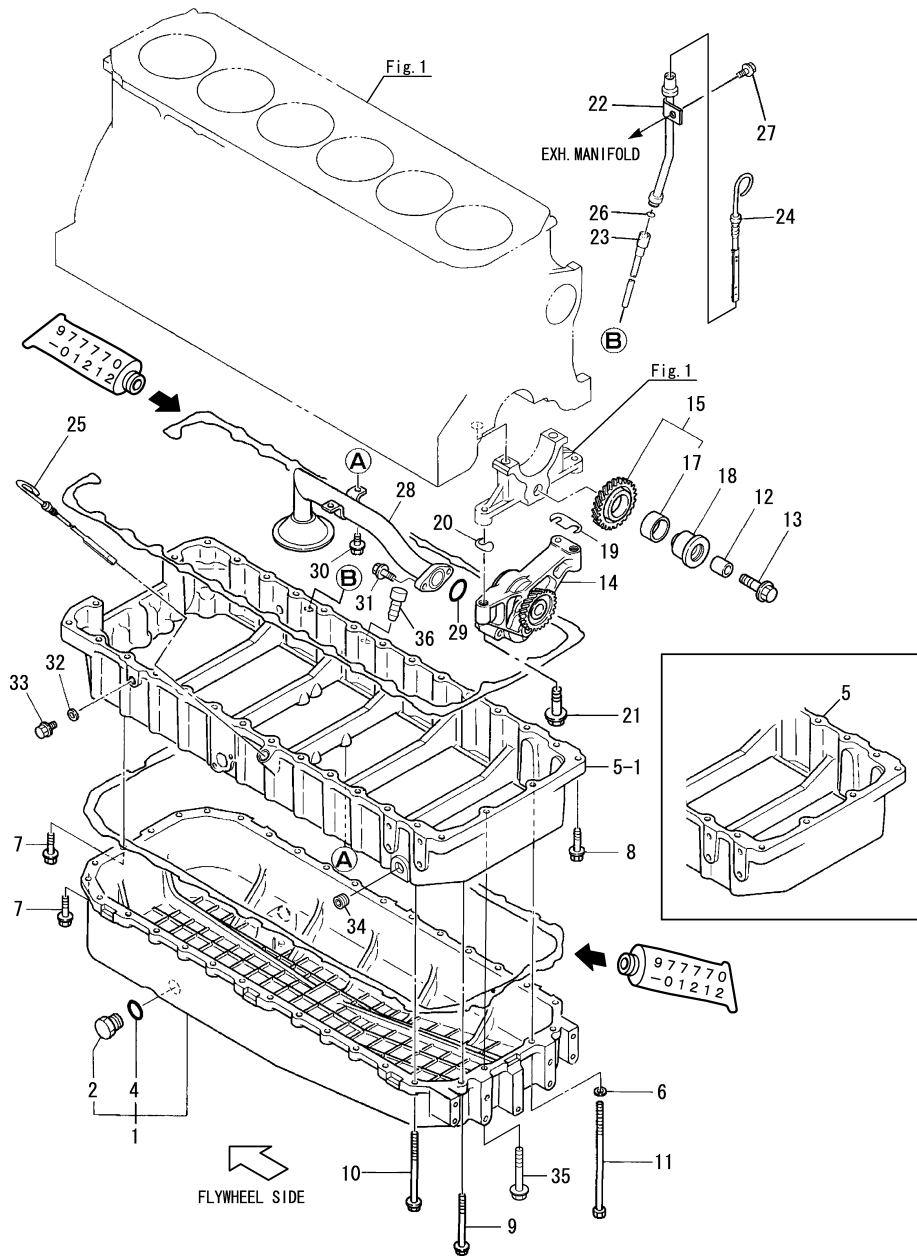
No.	Lev.	Parts No.	Description	Q'ty						I	R
				(A)	(B)	(C)	(D)	(E)	(F)		
1	1	119593-01601	HOUSING, FLYWHEEL	1	1	1					
2	1	119620-01750	CAP	1	1	1					
2-1	1	119575-01750	CAP	1							R
(A=*2002.04)											
3	1	124411-01780	SEAL, HTC95X115X12	1	1	1					
4	1	128371-01800	COCK ASSY, 1/4	1	1	1					
5	1	22312-100220	PIN, PARALLEL M10X22	1	1	1					
6	1	24311-000140	O-RING, 1AP14.0	1	1	1					
7	1	26106-100302	BOLT, M10X 30 PLATED	8	8	8					
8	1	26106-100352	BOLT, M10X 35 PLATED	5	5	5					
9	1	119574-08200	FOOT, MOUNTING	1	1	1					
9-1	1	119574-08201	FOOT, MOUNTING	1							N
(A=*2001.11)											
9-2	1	119574-08202	FOOT, MOUNTING	1							N
(A=*2004.08)											
10	1	119574-08210	FOOT, MOUNTING	1	1	1					
10-1	1	119574-08211	FOOT, MOUNTING	1							N
(A=*2001.11)											
10-2	1	119574-08212	FOOT, MOUNTING	1							N
(A=*2004.08)											
11	1	26116-120282	BOLT, M12X 28 PLATED	8	8	8					
11-1	1	26116-120302	BOLT, M12X 30 PLATED	16							N
(A=*2003.04)											
12	1	26116-120322	BOLT, M12X 32 PLATED	8	8	8					
12-1	1	26116-120322	BOLT, M12X 32 PLATED	8							Z
(A=*2003.04)											
13	1	127495-08320	MOUNT, FLEXIBLE 600	4	4	4					1
14	1	119593-08400	BOLT	4	4	4					1
15	1	22217-270000	WASHER, SPRING 27	4	4	4					1
16	1	26776-270002	NUT, LOCK M27	12	12	12					1
17	1	119573-08200	FOOT, MOUNTING	1	1	1					
17-1	1	119573-08200	FOOT, MOUNTING	1							Z
(A=*2003.08)											
18	1	119574-08230	FOOT, MOUNTING	1	1	1					
18-1	1	119574-08231	FOOT, MOUNTING	2							N
(A=*2003.08)											
19	1	119773-08300	MOUNTING, FLEXIBLE	4							W 1
(A=*2008.12)											
20	2	119773-08330	NUT	8							
21	2	119773-08340	NUT	4							
22	2	119773-08350	WASHER	8							

Remarks

(1)Optional parts.

N:Old  $\begin{matrix} \leftarrow \text{Yes} \\ \text{No} \end{matrix}$  New, Q:Old  $\begin{matrix} \leftarrow \text{No} \\ \text{Yes} \end{matrix}$  New, R:Old  $\begin{matrix} \leftarrow \text{Yes} \\ \text{Yes} \end{matrix}$  New, S:Old  $\begin{matrix} \leftarrow \text{No} \\ \text{No} \end{matrix}$  New, W:Add, Z:Discontinued, F:Interchangeable by set, K:Q'ty Change

Fig.4. LUB. OIL SUMP & LUB. OIL PUMP



(A)=6LYA-STP  
(B)=6LYA-STE  
(C)=6LYA-UTE

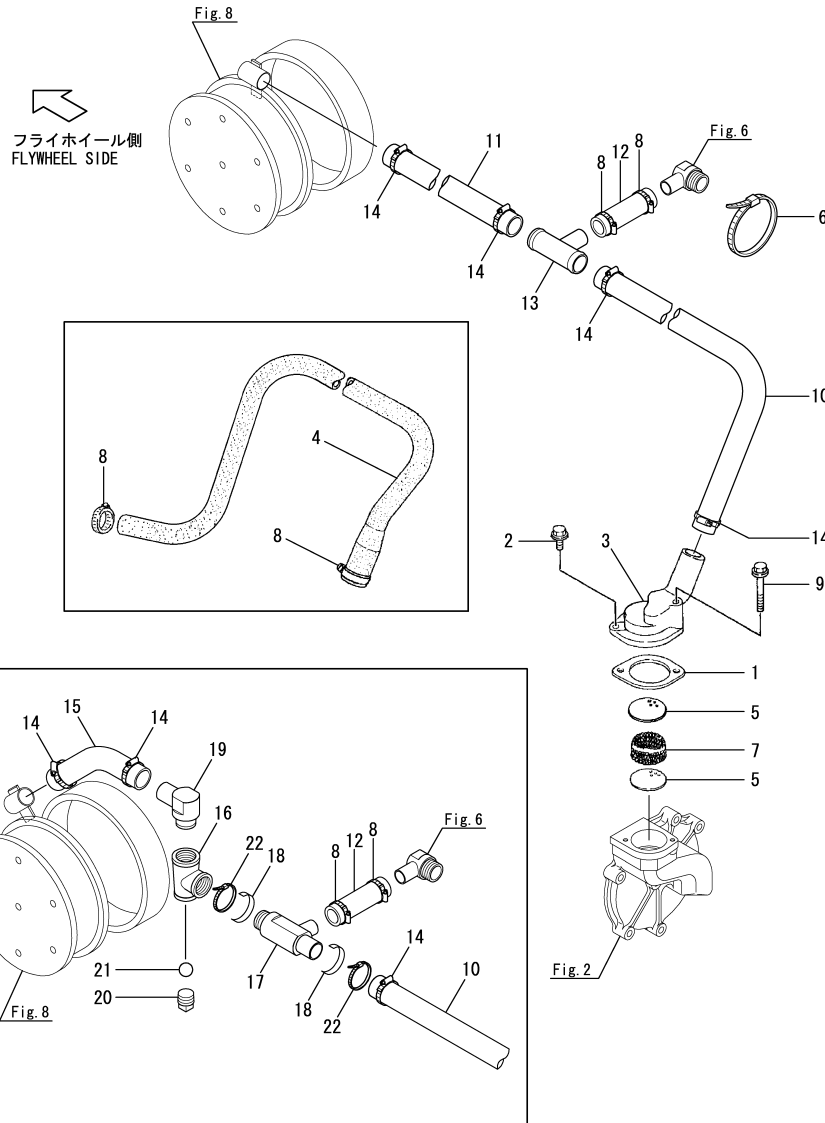
(D)=  
(E)=  
(F)=

No.	Lev.	Parts No.	Description	Q'ty						I	R
				(A)	(B)	(C)	(D)	(E)	(F)		
1	1	719573-01540	SUMP ASSY, OIL	1	1	1					
2	2	171301-01640	PLUG, 22	1	1	1					
4	2	24341-000240	O-RING, 1AS24.0	1	1	1					
5	1	119593-01730	SPACER, OIL SUMP		1	1					
5-1	1	119593-01731 (B=E50201) (C=E40201)	SPACER, OIL SUMP	1	1	1					N
5-2	1	119593-01732 (A=E00158)	SPACER	1							N
6	1	22137-080000	WASHER, 8	2	2	2					
7	1	26106-080252	BOLT, M8X 25 PLATED	4	4	4					
8	1	26106-080352	BOLT, M8X 35 PLATED	4	4	4					
9	1	26106-080902	BOLT, M8X 90 PLATED	2	2	2					
9-1	1	26106-080902 (A=*2003.04)	BOLT, M8X 90 PLATED	1							K
10	1	26106-081202	BOLT, M8X120 PLATED	26	26	26					
11	1	26116-081902	BOLT, M8X190 PLATED	2	2	2					
12	1	124411-28400	PIN	2	2	2					
13	1	121950-28420	BOLT, M10X45	1	1	1					
14	1	119593-32001	PUMP ASSY, OIL	1	1	1					
15	1	119593-32500	GEAR ASSY, IDLE Z=29	1	1	1					
17	2	119593-32520	BUSH, IDLE GEAR	1	1	1					
18	1	119593-32530	SHAFT, IDLE GEAR	1	1	1					
19	1	119593-32700	SHIM	2	2	2					
20	1	119593-32710	SHIM	2	2	2					
21	1	26106-100552	BOLT, M10X 55 PLATED	3	3	3					
22	1	119574-34810	GUIDE, DIPSTICK	1	1	1					
23	1	119171-34820	GUIDE, DIPSTICK	1	1	1					
24	1	119574-34860	DIPSTICK, OIL		1	1					
24-1	1	119574-34861 (B=E50474) (C=E40348)	DIPSTICK, OIL	1	1	1					N
25	1	119593-34870	DIPSTICK, OIL	1	1	1					
26	1	24341-000100	O-RING, 1AS10.0	1	1	1					
27	1	26106-080162	BOLT, M8X 16 PLATED	1	1	1					
28	1	119593-35191	PIPE ASSY, OIL INLET	1	1	1					
29	1	24311-000280	O-RING, 1AP28.0	1	1	1					
30	1	26013-080252	BOLT, M8X 25	2	2	2					
30-1	1	26106-080252 (A=*2003.04)	BOLT, M8X 25 PLATED	2							N
31	1	26106-080162	BOLT, M8X 16 PLATED	2	2	2					
31-1	1	26013-080182 (A=*2003.04)	BOLT, M8X 18	2							N
32	1	23414-100000	GASKET, 10X1.0	1	1	1					
33	1	26106-100162	BOLT, M10X 16 PLATED	1	1	1					
34	1	23876-030000 (B=E50201) (C=E40201)	PLUG, R03	1	1	1					W
35	1	26106-080752 (A=*2003.04)	BOLT, M8X 75 PLATED	1							W
36	1	124976-34850 (A=E00158)	CAP	1							W

Fig.5. BREATHER

(A)=6LYA-STP  
(B)=6LYA-STE  
(C)=6LYA-UTE

(D)=  
(E)=  
(F)=

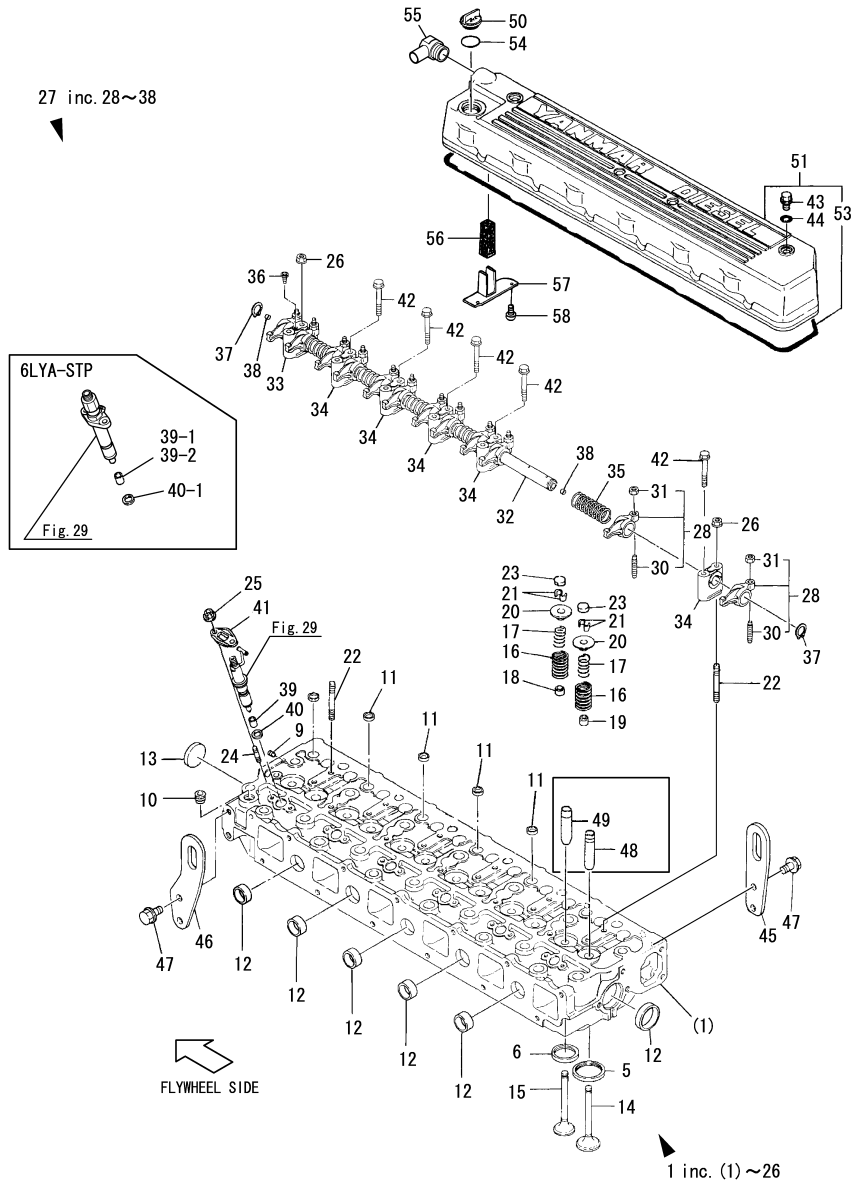


No.	Lev.	Parts No.	Description	Q'ty						I	R
				(A)	(B)	(C)	(D)	(E)	(F)		
1	1	124411-03051	GASKET	1	1	1					
2	1	26106-060202	BOLT, M6X 20 PLATED	1	1	1					
3	1	119173-03030	COVER, BREATHER	1	1	1					
4	1	119574-03090 (B=E50805) (C=*1999.03)	HOSE, BREATHER		1	1					Z
5	1	121750-03080	PLATE, BAFFLE	2	2	2					
6	1	194250-51660	BAND, NYLON	2	2	2					
6-1	1	29622-250001 (A=*2012.03)	BAND, RF250	2							R
7	1	121850-03050	FILTER, BREATHER	1	1	1					
8	1	23000-028000	CLAMP, 28	2	2	2					
8-1	1	119172-48280 (A=*2002.02)	CLIP, HOSE 28	2							N
9	1	26106-060402	BOLT, M6X 40 PLATED	1	1	1					
9-1	1	26106-060502 (A=*2003.04)	BOLT, M6X 50 PLATED	1							N
10	1	119593-03093 (B=E50805) (C=*1999.03)	HOSE, BREATHER	1	1	1					W 1
11	1	119593-03120 (B=E50805) (C=*1999.03)	HOSE, BREATHER	1	1	1					W 1
11-1	1	119574-03120 (A=E51623) (C=E40795)	HOSE, BREATHER	1		1					R
12	1	119593-03130 (B=E50805) (C=*1999.03)	HOSE, BREATHER	1	1	1					W 1
12-1	1	119574-03130 (A=E51623) (C=E40795)	HOSE, BREATHER	1		1					R
13	1	119593-03140 (B=E50805) (C=*1999.03)	JOINT, BREATHER	1	1	1					W 1
14	1	23000-035000 (B=E50805) (C=*1999.03)	CLAMP, 35	4	4	4					W 1
14-1	1	119172-48350 (A=*2002.02)	CLIP, HOSE 35	4							N
15	1	119574-03060 (A=E01058)	HOSE A, BREATHER	1							W 2
16	1	119574-03070 (A=E01058)	JOINT A, BREATHER	1							W 2
17	1	119574-03080 (A=E01058)	JOINT B, BREATHER	1							W 2
18	1	119574-44630 (A=E01058)	SEAT, RUBBER	1							W 2
19	1	23123-060406 (A=E01058)	JOINT, 3/4X1/2X3/4	1							W 2
20	1	23171-040000 (A=E01058)	PLUG, R1/2	1							W 2
21	1	24190-230001 (A=E01058)	BALL, STEEL 23/32	1							W 2
22	1	29621-200000 (A=E01058)	BAND	2							W 2

Remarks

- (1) Interchangeable by simultaneous replacement with No.10, 11, 12, 13, 14 & Fig.6 No.51-1, 55 & Fig.8 No.3-1.
- (2) SOLAS spec. (optional).

Fig.6. CYLINDER HEAD



(A)=6LYA-STP  
(B)=6LYA-STE  
(C)=6LYA-UTE

(D)=  
(E)=  
(F)=

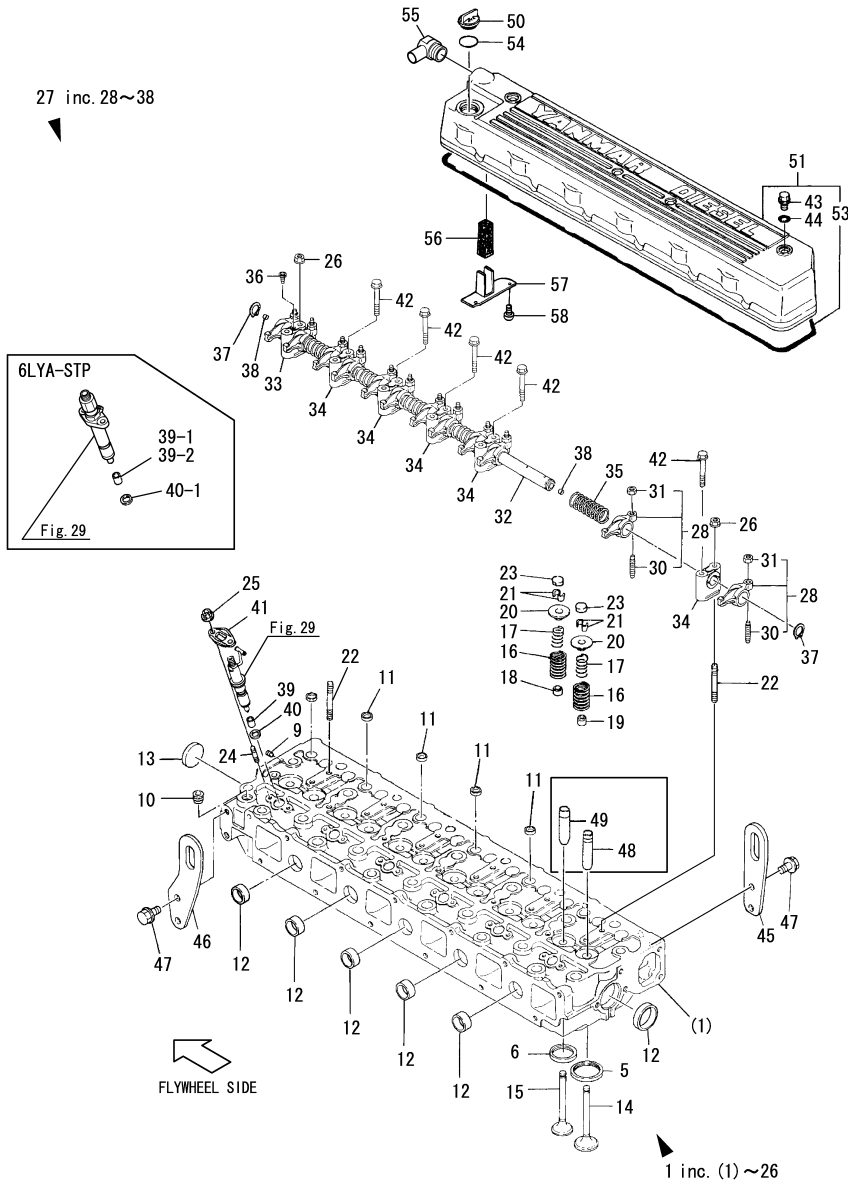
No.	Lev.	Parts No.	Description	Q'ty						I	R
				(A)	(B)	(C)	(D)	(E)	(F)		
1	1	719593-11700	HEAD ASSY, CYLINDER	1	1						
1-1	1	719574-11700	HEAD ASSY, CYLINDER	1							S
(A=*2002.07)											
1-2	1	719574-11701	HEAD ASSY, CYLINDER	1							N
(A=*2003.04)											
1A	1	719573-11700	HEAD ASSY, CYLINDER								1
5	3	119173-11080	SEAT, INTAKE VALVE	6	6	6					
6	3	119173-11090	SEAT, EXHAUST VALVE	6	6	6					
6-1	3	119173-11091	SEAT, VALVE	6							N
(A=*2003.04)											
9	3	123385-82200	PLUG, 1/16		1	1					
9-1	3	23876-005000	PLUG, R005	1	1	1					N
(B=E50835) (C=E40472)											
10	3	23871-030000	PLUG, R03		1	1					
10-1	3	23875-030000	PLUG, R03	1	1	1					R
(B=E50835) (C=E40472)											
11	3	119593-01860	PLUG	6	6	6					
12	3	27241-280000	PLUG, 28	5	5	5					
13	3	27241-400000	PLUG, 40	2	2	2					
14	2	119173-11101	VALVE, INTAKE	6	6	6					
15	2	119173-11110	VALVE, EXHAUST			6					
15A	2	119593-11110	VALVE, EXHAUST	6	6						
16	2	124617-11120	SPRING, VALVE OUTER	12	12	12					
17	2	124617-11130	SPRING, VALVE INNER	12	12	12					
18	2	119171-11150	SEAL, VALVE STEM	6	6	6					
19	2	121850-11150	SEAL, VALVE STEM	6	6	6					
20	2	124411-11180	RETAINER, SPRING	12	12	12					
21	2	27310-090001	COTTER, 9	12	12	12					
22	2	119593-11300	STUD, M8X80	4	4	4					
22-1	2	119593-11301	STUD, M8X80	4							R
(A=*2003.03)											
23	2	119171-11370	CAP, VALVE	12	12	12					
24	2	119593-11910	BOLT		12	12					
24-1	2	119593-11911	BOLT	12	12	12					N
(B=E50405) (C=*1998.01)											
25	2	26366-060002	NUT, M6	12	12	12					
26	2	26366-080002	NUT, M8		4	4					
26-1	2	26306-080002	NUT, M8	4	4	4					N
(B=E51386) (C=E40890)											
27	1	119593-11240	SHAFT ASSY, ROCKER	1	1	1					
28	2	719593-11650	ARM ASSY, ROCKER	12	12	12					
30	3	119000-11230	SCREW, VALVE ADJUST	12	12	12					
31	3	129150-11750	NUT, M8	12	12	12					
32	2	119593-11250	SHAFT, ROCKER ARM	1	1	1					
33	2	119000-11260	SUPPORT, ROCKER ARM	1	1	1					
34	2	119000-11270	SUPPORT, ROCKER ARM	5	5	5					
35	2	119000-11280	SPRING	5	5	5					
36	2	119000-11290	BOLT	1	1	1					
37	2	22242-000180	RING, 18	2	2	2					
38	2	27241-100000	PLUG, 10	2	2	2					
39	1	119593-11870	INSULATOR	6	6	6					

Remarks

- (1) Interchangeable by simultaneous replacement with No.51-1, 55 & Fig.5 No.10, 11, 12, 13, 14 & Fig.8 No.3-1.
- (2) Spare parts.



Fig.6. CYLINDER HEAD



(A)=6LYA-STP  
(B)=6LYA-STE  
(C)=6LYA-UTE

(D)=  
(E)=  
(F)=

No.	Lev.	Parts No.	Description	Q'ty						I	R
				(A)	(B)	(C)	(D)	(E)	(F)		
39-1	1	119625-11870 (A=*2002.07)	PROTECTOR, NOZZLE	6							S
39-2	1	119625-11872 (A=*2002.07)	PROTECTOR, NOZZLE	6							R
40	1	119574-11880	SEAT, VALVE	6	6	6					
40-1	1	119625-11880 (A=*2002.07)	SEAT, NOZZLE	6							S
41	1	119625-11900	RETAINER, NOZZLE	6	6	6					
42	1	26106-080652	BOLT, M8X 65 PLATED	8	8	8					
43	1	124160-11360	KNOB	4	4	4					
44	1	24311-000120	O-RING, 1AP12.0	4	4	4					
45	1	119593-07200	LIFTER	1	1	1					
46	1	119593-07210	LIFTER	1	1	1					
47	1	26106-100202	BOLT, M10X 20 PLATED	4	4	4					
48	1	121850-11800	GUIDE, VALVE	6	6	6					2
49	1	119000-11180	GUIDE, VALVE	6	6	6					2
50	1	124160-01751	COVER, FILLER	1	1	1					
51	1	119593-11310	BONNET ASSY, HEAD		1	1					
51-1	1	119588-11310 (B=E50805) (C=*1999.03)	BONNET ASSY, HEAD	1	1	1					S 1
51-2	1	119588-11311 (A=*2014.02)	COVER ASSY, BONNET	1							R
53	2	119593-11360	GASKET, BONNET	1	1	1					
54	1	24311-000320	O-RING, 1AP32.0	1	1	1					
55	1	119593-49320 (B=E50805) (C=*1999.03)	JOINT	1	1	1					W 1
56	1	119593-03100 (B=E50805) (C=*1999.03)	FILTER, BREATHER	1	1	1					W
57	1	119593-03200 (B=E50805) (C=*1999.03)	COVER, BREATHER	1	1	1					W
58	1	26022-050122 (B=E50805) (C=*1999.03)	SCREW, M5X12	2	2	2					W

Remarks

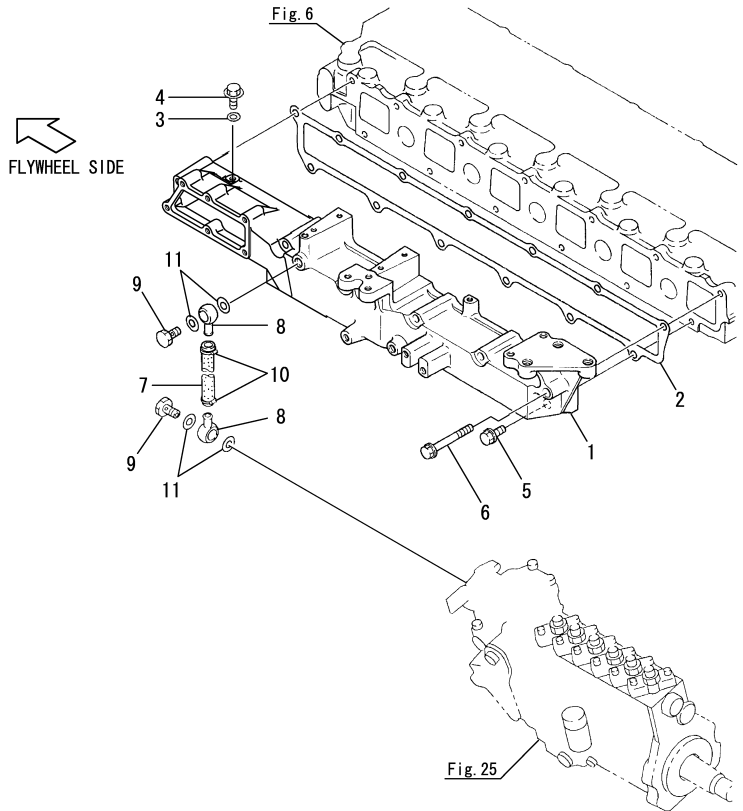
- (1) Interchangeable by simultaneous replacement with No.51-1, 55 & Fig.5 No.10, 11, 12, 13, 14 & Fig.8 No.3-1.
- (2) Spare parts.

Fig.7. SUCTION MANIFOLD & AIR CLEANER

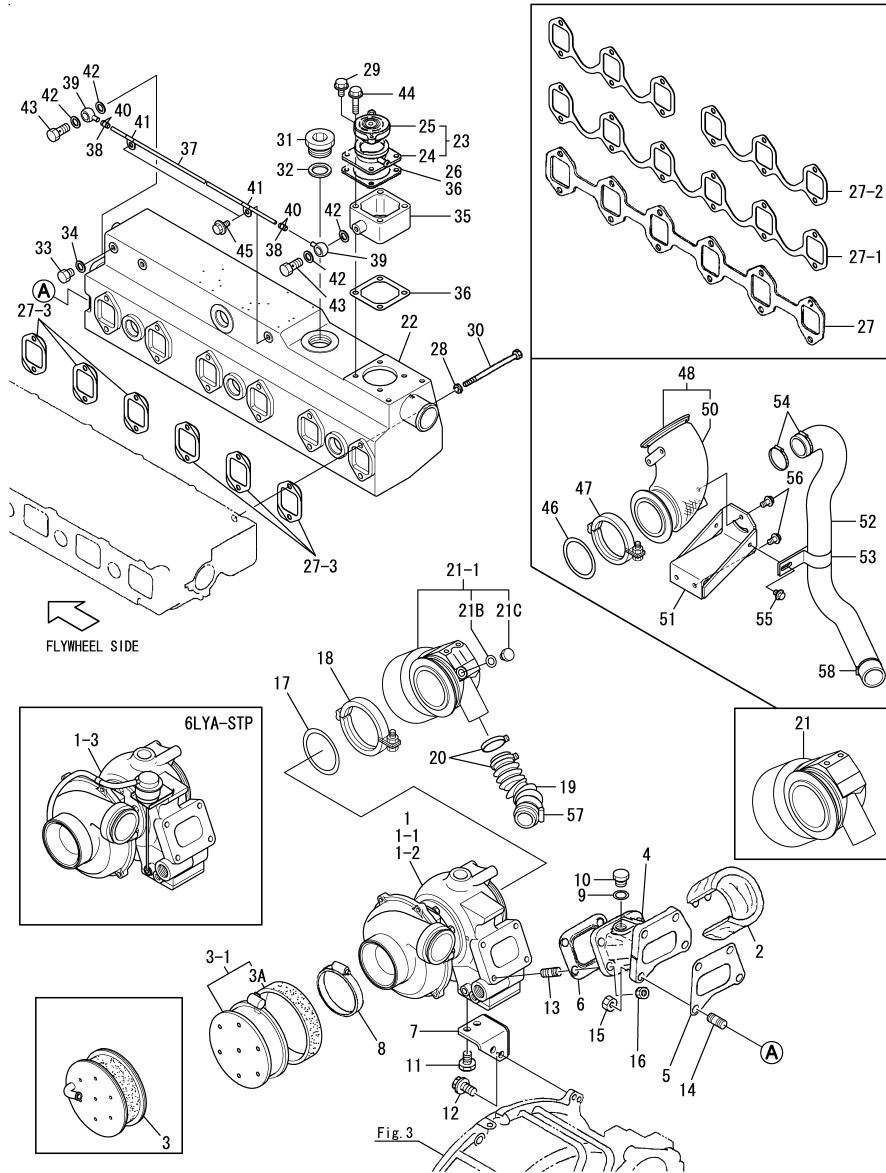
(A)=6LYA-STP  
(B)=6LYA-STE  
(C)=6LYA-UTE

(D)=  
(E)=  
(F)=

No.	Lev.	Parts No.	Description	Q'ty						I	R
				(A)	(B)	(C)	(D)	(E)	(F)		
1	1	119574-12110	MANIFOLD, INTAKE	1	1	1					
2	1	119593-12111	GASKET, MANIFOLD	1	1	1					
3	1	23414-080000	GASKET, 8X1.0	1	1	1					
4	1	26106-080122	BOLT, M8X 12 PLATED	1	1	1					
5	1	26106-080402	BOLT, M8X 40 PLATED	7	7	7					
6	1	26106-080702	BOLT, M8X 70 PLATED	6	6	6					
7	1	119574-18480	HOSE	1	1	1					
7-1	1	119593-18480	JOINT, RUBBER	1							R
(A=*2010.09)											
8	1	129590-18520	JOINT	2	2	2					
9	1	124160-39140	BOLT, PIPE JOINT M10	2	2	2					
10	1	23000-013000	CLAMP, 13	2	2	2					
10-1	1	119172-48130	CLIP, HOSE 13	1							N
(A=*2002.02)											
11	1	23414-100000	GASKET, 10X1.0	4	4	4					



# Fig.8. TURBOCHARGER & EXHAUST MANIFOLD



(A)=6LYA-STP  
(B)=6LYA-STE  
(C)=6LYA-UTE

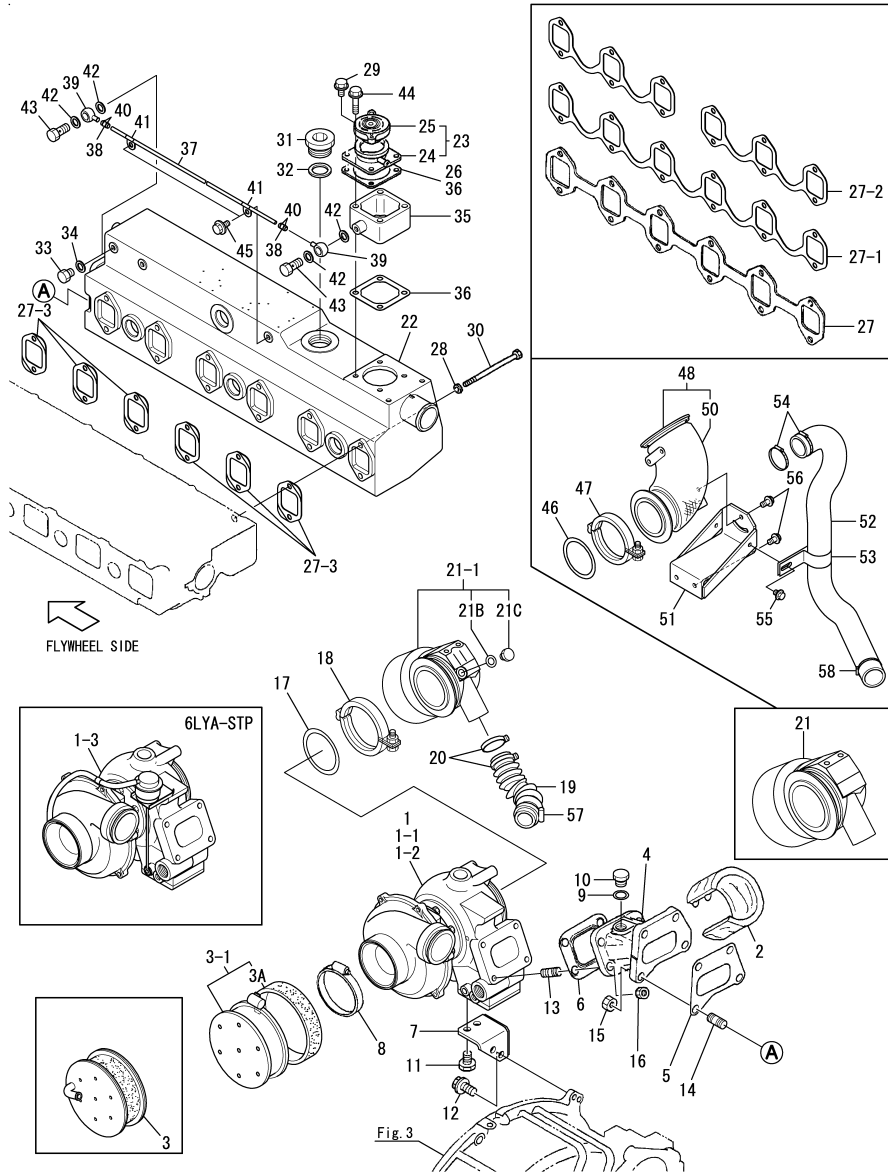
(D)=  
(E)=  
(F)=

No.	Lev.	Parts No.	Description	Q'ty						I	R
				(A)	(B)	(C)	(D)	(E)	(F)		
1	1	119574-18010	TURBINE, RHC7W		1	1					3
1-1	1	119574-18011	TURBINE, RHC7W		1	1					N 4
		(B=E50223)									
		(C=E40223)									
1-2	1	119574-18012	TURBINE, RHC7W		1	1	1				N 5
		(B=E50835)									
		(C=E40472)									
1-3	1	119574-18020	TURBINE ASSY		1						S 5
		(A=*2002.07)									
2	1	119593-18070	COVER		1	1	1				
3	1	119593-18870	SILENCER ASSY			1	1				
3-1	1	119593-18871	SILENCER ASSY		1	1	1				S 1
		(B=E50805)									
		(C=*1999.03)									
3A	2	119593-18880	FILTER, 65MM		1	1	1				W
		(B=E50805)									
		(C=*1999.03)									
4	1	119574-18050	BRACKET		1	1	1				
4-1	1	119574-18051	BRACKET		1						R
		(A=E00184)									
5	1	119593-18080	GASKET		1	1	1				
6	1	119593-18110	GASKET		1	1	1				
7	1	119574-18290	RETAINER		1	1	1				
8	1	123658-18910	CLIP, HOSE		1	1	1				
9	1	23414-170000	GASKET, 17X1.0		1	1	1				
10	1	23894-030002	PLUG, G3/8		1	1	1				
11	1	26106-100182	BOLT, M10X 18 PLATED		2	2	2				
12	1	26106-100222	BOLT, M10X 22 PLATED		2	2	2				
13	1	26223-100222	STUD, M10X 22		4	4	4				
13-1	1	26213-100252	STUD, M10X 25		4						N
		(A=*2008.12)									
14	1	26223-100252	STUD, M10X 25		4	4	4				
15	1	26703-100002	NUT, M10		4	4	4				
16	1	26703-100002	NUT, M10		4	4	4				
17	1	119574-13250	GASKET(T/C EXH)		1	1	1				
17-1	1	119574-13251	GASKET		1						N
		(A=*2004.03)									
18	1	119574-13300	CLAMP		1	1	1				
19	1	119574-49750	HOSE, MIXING			1	1				
19-1	1	119574-49751	HOSE, MIXING		1	1	1				N
		(B=FROM 1ST)									
		(C=FROM 1ST)									
20	1	23000-054000	CLAMP, 54		2	2	2				
20-1	1	119172-48480	CLIP, HOSE 48		2						N
		(A=*2008.12)									
21	1	119574-13500	ELBOW		1	1	1				
21-1	1	719578-13500	ELBOW ASSY		1						N
		(A=*2005.04)									
21B	2	23414-130000	GASKET, 13X1.0		1						W
		(A=*2005.04)									
21C	2	23893-020002	PLUG, G1/4		1						W
		(A=*2005.04)									
22	1	119574-13110	MANIFOLD, EXHAUST		1	1	1				
23	1	129171-44600	FILLER ASSY		1	1	1				
24	2	129171-44620	FILLER ASSY		1	1	1				
25	2	129107-44590	CAP, RADIATOR		1	1	1				

**Remarks**

- (1) Interchangeable by simultaneous replacement with No.3-1 & Fig.5 No.10, 11, 12, 13, 14 & Fig.6 No.51-1, 55.
- (2) Optional parts.
- (3) Inner parts are shown in Fig.9.
- (4) Inner parts are shown in Fig.10.
- (5) Inner parts are shown in Fig.11.

Fig.8. TURBOCHARGER & EXHAUST MANIFOLD



(A)=6LYA-STP  
(B)=6LYA-STE  
(C)=6LYA-UTE

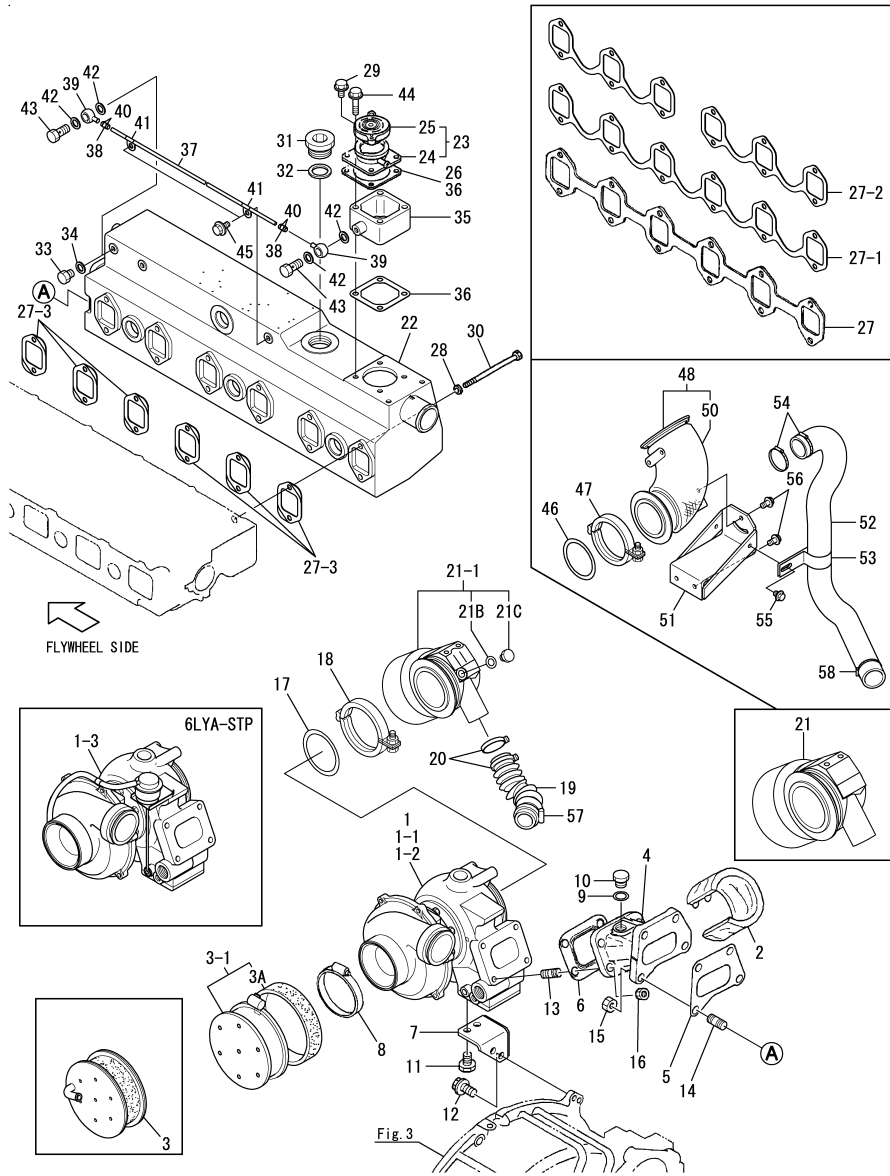
(D)=  
(E)=  
(F)=

No.	Lev.	Parts No.	Description	Q'ty						I	R
				(A)	(B)	(C)	(D)	(E)	(F)		
26	1	120445-44640	GASKET	1	1	1					
27	1	119593-13200	GASKET		1	1					
27-1	1	119593-13201	GASKET			1	1				N
		(B=E50161)	(C=E40141)								
27-2	1	119593-13202	GASKET	2	2	2					N
		(B=E50424)	(C=*1998.02)								
27-3	1	119595-13200	GASKET	6							N
		(A=*2003.04)									
28	1	22137-080000	WASHER, 8	12	12	12					
29	1	26106-080142	BOLT, M8X 14 PLATED	4	4	4					
30	1	26116-081452	BOLT, M8X145 PLATED		12	12					
30-1	1	119593-13220	BOLT, M8X145	12	12	12					S
		(B=E50484)	(C=E40358)								
31	1	127610-44900	PLUG, M36X1.5	1	1	1					
32	1	23414-360000	GASKET, 36X1.0	1	1	1					W
		(B=FROM 1ST)	(C=FROM 1ST)								
33	1	124790-55770	PLUG, 8	1	1	1					W
		(B=E50369)	(C=*1997.11)								
34	1	23414-080012	GASKET, 8X1.0	1	1	1					W
		(B=E50369)	(C=*1997.11)								
35	1	119595-44600	SPACER	1	1	1					W 2
		(B=E50753)	(C=*1998.11)								
36	1	120445-44640	GASKET	2	2	2					W 2
		(B=E50753)	(C=*1998.11)								
37	1	119595-44700	PIPE, WATER	1	1	1					W 2
		(B=E50753)	(C=*1998.11)								
38	1	119595-44801	JOINT	2	2	2					W 2
		(B=E50753)	(C=*1998.11)								
39	1	104264-59030	JOINT, PIPE 8	2	2	2					W 2
		(B=E50753)	(C=*1998.11)								
40	1	23000-013000	CLAMP, 13	4	4	4					W 2
		(B=E50753)	(C=*1998.11)								
40-1	1	119172-48130	CLIP, HOSE 13	4							N 2
		(A=*2002.02)									
41	1	23297-080081	CLAMP, A8X 8	2	2	2					W 2
		(B=E50753)	(C=*1998.11)								
42	1	23414-080012	GASKET, 8X1.0	4	4	4					W 2
		(B=E50753)	(C=*1998.11)								
43	1	23857-030000	BOLT, JOINT 3	2	2	2					W 2
		(B=E50753)	(C=*1998.11)								
44	1	26106-080602	BOLT, M8X 60 PLATED	4	4	4					W 2
		(B=E50753)	(C=*1998.11)								
45	1	26106-080162	BOLT, M8X 16 PLATED	2	2	2					W 2
		(B=FROM 1ST)	(C=FROM 1ST)								
46	1	119574-13250	GASKET(T/C EXH)	1	1	1					W 2
		(B=E50666)	(C=E40436)								
46-1	1	119574-13251	GASKET	1							N 2
		(A=*2004.03)									
47	1	119574-13300	CLAMP	1	1	1					W 2
		(B=E50666)	(C=E40436)								
48	1	119575-13300	BEND ASSY	1	1	1					W 2

Remarks

- (1)Interchangeable by simultaneous replacement with No.3-1 & Fig.5 No.10, 11, 12, 13, 14 & Fig.6 No.51-1, 55.
- (2)Optional parts.
- (3)Inner parts are shown in Fig.9.
- (4)Inner parts are shown in Fig.10.
- (5)Inner parts are shown in Fig.11.

Fig.8. TURBOCHARGER & EXHAUST MANIFOLD



(A)=6LYA-STP  
(B)=6LYA-STE  
(C)=6LYA-UTE

(D)=  
(E)=  
(F)=

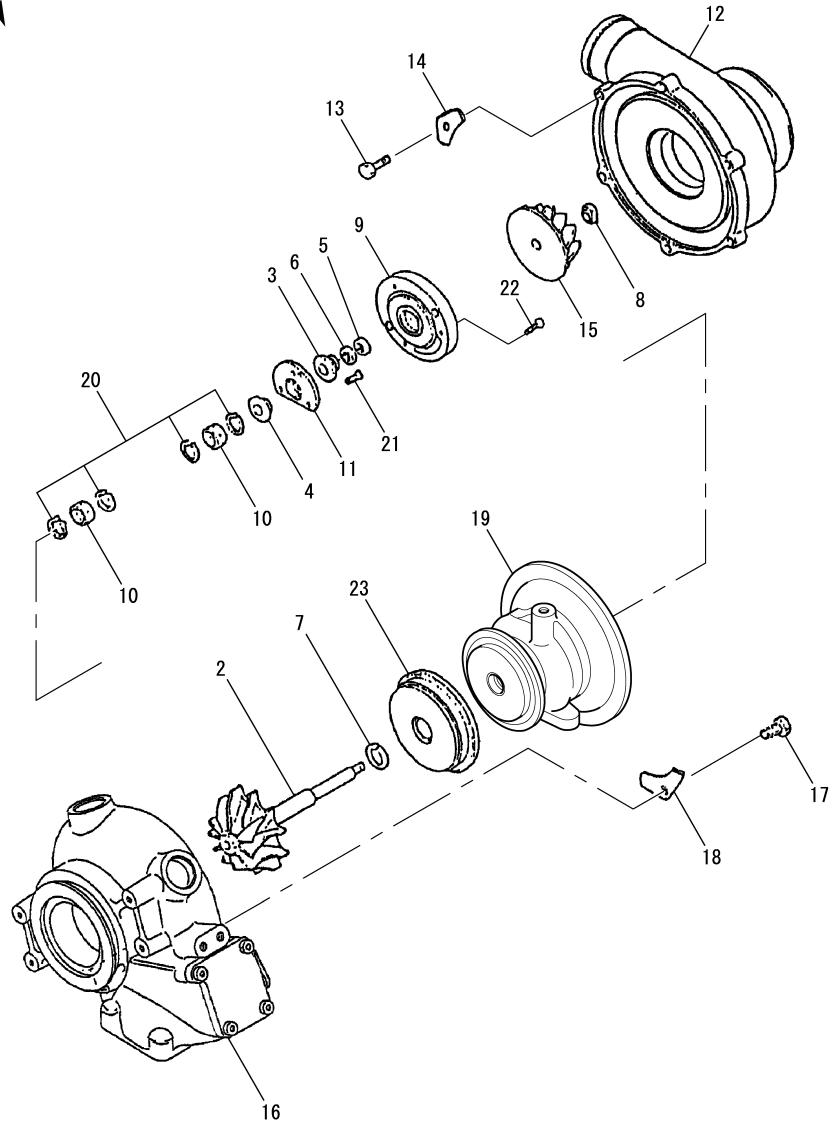
No.	Lev.	Parts No.	Description	Q'ty						I	R
				(A)	(B)	(C)	(D)	(E)	(F)		
		(B=E50666)	(C=E40436)								
50	2	119575-13320	MAT	1	1	1					W 2
		(B=E50666)	(C=E40436)								
51	1	119575-13330	BRACKET	1	1	1					W 2
		(B=E50666)	(C=E40436)								
52	1	119575-13340	HOSE, RUBBER	1	1	1					W 2
		(B=E50666)	(C=E40436)								
53	1	119575-13350	FITTING, PIPE	1	1	1					W 2
		(B=E50666)	(C=E40436)								
54	1	23000-054000	CLAMP, 54	2	2	2					W 2
		(B=E50666)	(C=E40436)								
55	1	26106-080102	BOLT, M8X 10 PLATED	1	1	1					W 2
		(B=E50666)	(C=E40436)								
56	1	26106-080142	BOLT, M8X 14 PLATED	4	4	4					W 2
		(B=E50666)	(C=E40436)								
57	1	119172-48480	CLIP, HOSE 48	1							W
		(A=*2008.12)									
58	1	119172-48480	CLIP, HOSE 48	1							W
		(A=*2008.12)									

Remarks

- (1) Interchangeable by simultaneous replacement with No.3-1 & Fig.5 No.10, 11, 12, 13, 14 & Fig.6 No.51-1, 55.
- (2) Optional parts.
- (3) Inner parts are shown in Fig.9.
- (4) Inner parts are shown in Fig.10.
- (5) Inner parts are shown in Fig.11.

Fig.9. TURBOCHARGER COMPONENT PARTS(TO APR. 1997)

1 inc. 2~23

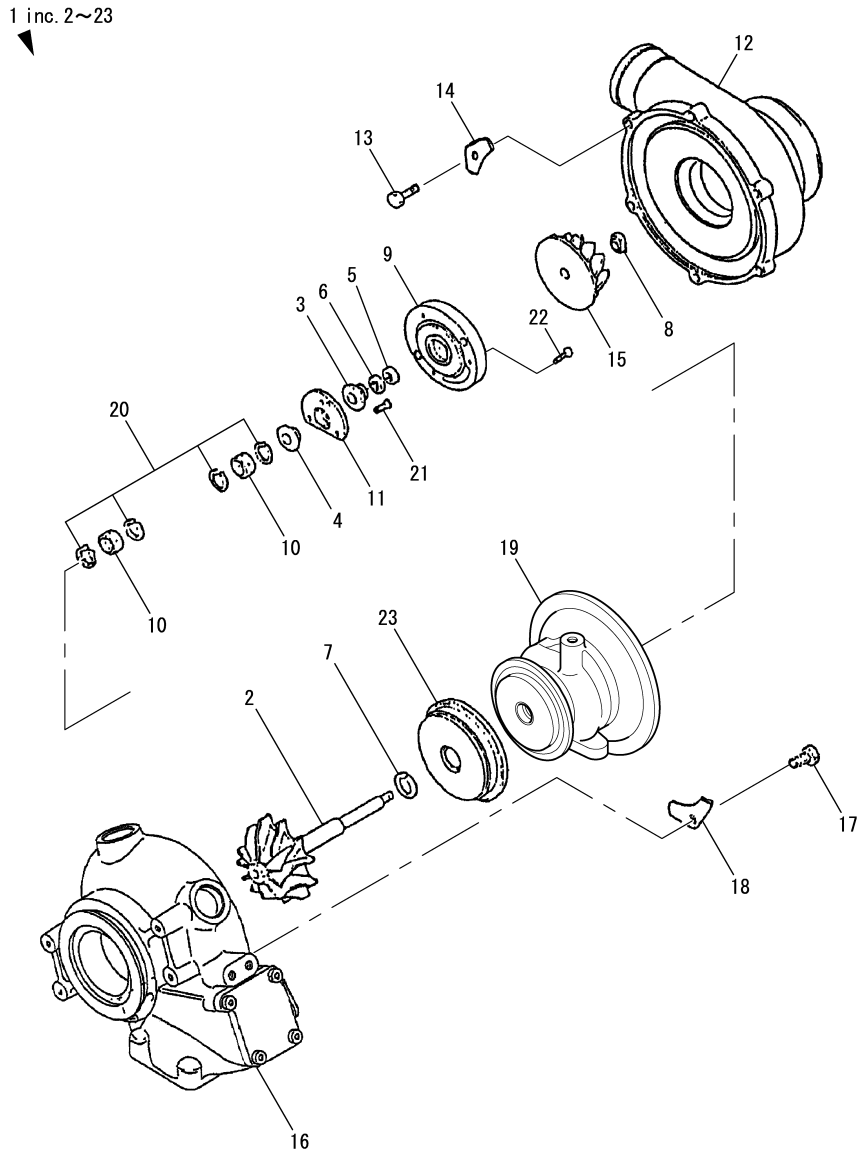


(A)=6LYA-STP  
(B)=6LYA-STE  
(C)=6LYA-UTE

(D)=  
(E)=  
(F)=

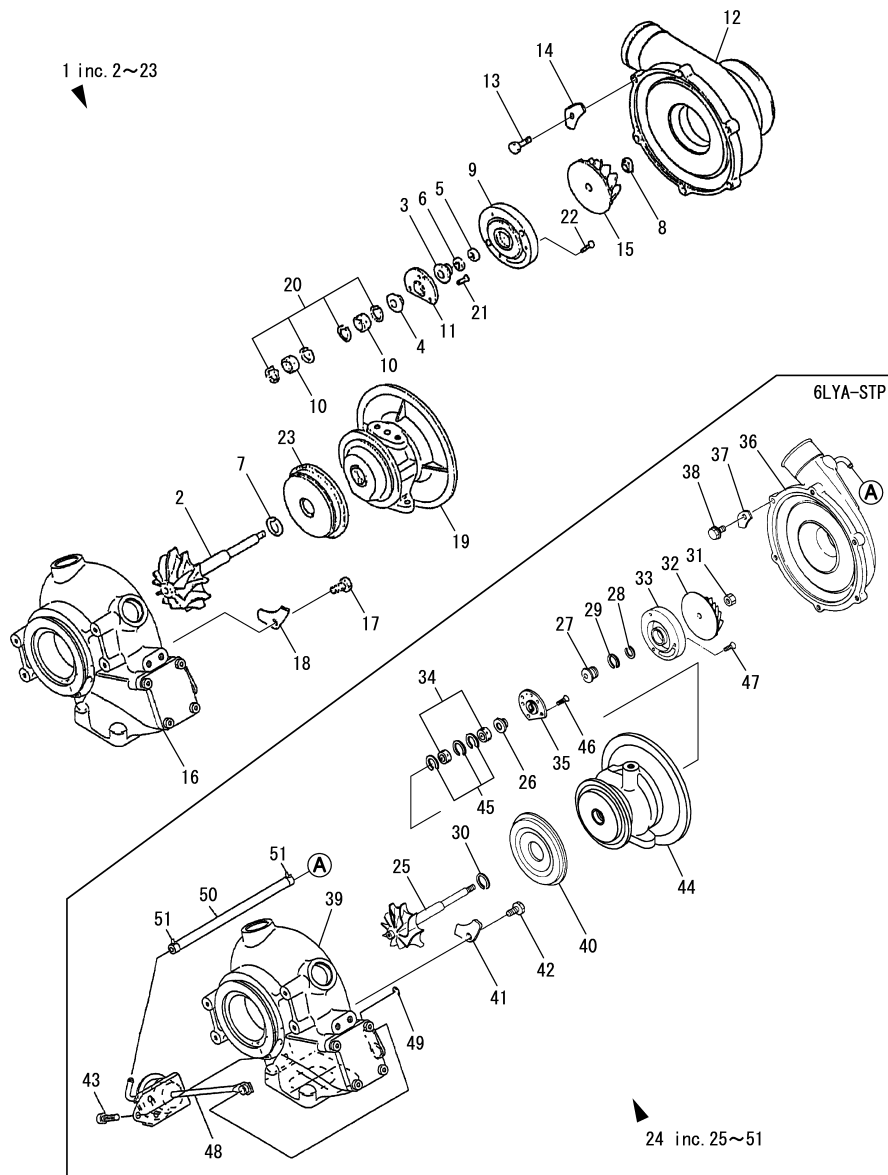
No.	Lev.	Parts No.	Description	Q'ty						I	R
				(A)	(B)	(C)	(D)	(E)	(F)		
1	1	119574-18010 (B=E50223)	TURBINE, RHC7W (C=E40223)		1	1					Z
2	2	XNH271340	SHAFT, TURBINE		1	1					
3	2	XNH171302	OIL THROWER		1	1					
4	2	XNH271303	BUSH		1	1					
5	2	XNH171006	SEAL RING		1	1					
6	2	XNH191305	RING, SEAL		1	1					
7	2	XNN171107	RING, SEAL		1	1					
8	2	XNN171110	NUT		1	1					
9	2	XNH172500	SEAL PLATE		1	1					
10	2	XNN173504	BEARING		2	2					
11	2	XNH273502	THRUST BEARING		1	1					
12	2	XNE974220	HOUSING		1	1					
13	2	XNH174307	BOLT		6	6					
14	2	XNH174404	RETAINER		6	6					
15	2	XNH175902	INPELLER		1	1					
16	2	XNE977170	HOUSING TURBINE		1	1					
17	2	XNN137007	BOLT, M8		8	8					
18	2	XNN137423	RETAINER		8	8					
19	2	XNE973420	BEARING HOUSING		1	1					
20	2	XNN173204	CIRCLIP		4	4					
21	2	XNB133206	SCREW		4	4					
22	2	XNH193006	BOLT		4	4					
23	2	XNH178265	PLATE, INSULATION		1	1					

Fig.10. TURBOCHARGER COMPONENT PARTS(TO APR. 1999)



No.	Lev.	Parts No.	Description	Q'ty						I	R
				(A)	(B)	(C)	(D)	(E)	(F)		
1	1	119574-18011	TURBINE, RHC7W (B=E50223) (C=E40223)		1	1					W
1-1	1	119574-18011	TURBINE, RHC7W (B=E50835) (C=E40472)		1	1					Z
2	2	XNH271340	SHAFT,TURBINE		1	1					
3	2	XNH171302	OIL THROWER		1	1					
4	2	XNH271303	BUSH		1	1					
5	2	XNH171006	SEAL RING		1	1					
6	2	XNH191305	RING, SEAL		1	1					
7	2	XNN171107	RING, SEAL		1	1					
8	2	XNN171110	NUT		1	1					
9	2	XNH172500	SEAL PLATE		1	1					
10	2	XNN173504	BEARING		2	2					
11	2	XNH273502	THRUST BEARING		1	1					
12	2	XNE974220	HOUSING		1	1					
13	2	XNH174307	BOLT		6	6					
14	2	XNH174404	RETAINER		6	6					
15	2	XNH175703	INPELLER		1	1					
16	2	XNE977170	HOUSING TURBINE		1	1					
17	2	XNN137007	BOLT, M8		8	8					
18	2	XNN137423	RETAINER		8	8					
19	2	XNE973420	BEARING HOUSING		1	1					
20	2	XNN173204	CIRCLIP		4	4					
21	2	XNB133206	SCREW		4	4					
22	2	XNH193006	BOLT		4	4					
23	2	XNH178265	PLATE,INSULATION		1	1					

Fig.11. TURBOCHARGER COMPONENT PARTS(FROM MAY 1999)



(A)=6LYA-STP  
(B)=6LYA-STE  
(C)=6LYA-UTE

(D)=  
(E)=  
(F)=

No.	Lev.	Parts No.	Description	Q'ty						I	R		
				(A)	(B)	(C)	(D)	(E)	(F)				
1	1	119574-18012	TURBINE, RHC7W (B=E50835) (C=E40472)	1	1	1					W	1	
1-1	1	119574-18012	TURBINE, RHC7W	1								Z	2
(A=*2002.07)													
2	2	XNH271343	SHAFT,TURBINE	1	1	1							
3	2	XNH171881	OIL THROWER	1	1	1							
4	2	XNH271351	BUSH	1	1	1							
5	2	XNH171006	SEAL RING	1	1	1							
6	2	XNH191305	RING, SEAL	1	1	1							
7	2	XNN171107	RING, SEAL	1	1	1							
8	2	XNN171110	NUT	1	1	1							
9	2	XNH172500	SEAL PLATE	1	1	1							
10	2	XNN173504	BEARING	2	2	2							
11	2	XNH273502	THRUST BEARING	1	1	1							
12	2	XNE974220	HOUSING	1	1	1							
13	2	XNH174307	BOLT	6	6	6							
14	2	XNH174404	RETAINER	6	6	6							
15	2	XNH175703	INPELLER	1	1	1							
16	2	XNE977170	HOUSING TURBINE	1	1	1							
17	2	XNN137007	BOLT, M8	8	8	8							
18	2	XNN137423	RETAINER	8	8	8							
19	2	XNH173436	BEARING HOUSING	1	1	1							
20	2	XNN173204	CIRCLIP	4	4	4							
21	2	XNB133206	SCREW	4	4	4							
22	2	XNH193006	BOLT	4	4	4							
23	2	XNH178265	PLATE,INSULATION	1	1	1							
24	1	119574-18020	TURBINE ASSY	1									W
(A=*2002.07)													
25	2	XNH271343	SHAFT,TURBINE	1									
26	2	XNH271351	BUSH	1									
27	2	XNH171881	OIL THROWER	1									
28	2	XNH171006	SEAL RING	1									
29	2	XNH191305	RING, SEAL	1									
30	2	XNN171107	RING, SEAL	1									
31	2	XNN171110	NUT	1									
32	2	XNH175703	INPELLER	1									
33	2	XNH172500	SEAL PLATE	1									
34	2	XNN173504	BEARING	2									
35	2	XNH273502	THRUST BEARING	1									
36	2	XNH174848	HAUSING	1									
37	2	XNH174404	RETAINER	6									
38	2	XNH174307	BOLT	6									
39	2	XNE977160	HAUSING, TURBINE	1									
40	2	XNH178265	PLATE,INSULATION	1									
41	2	XNN137423	RETAINER	8									
42	2	XNN137007	BOLT, M8	8									
43	2	XNH362809	FLAT BOLT	3									
44	2	XNH173436	BEARING HOUSING	1									
45	2	XNN173204	CIRCLIP	4									
46	2	XNH193006	BOLT	4									
47	2	XNB133206	SCREW	4									

Remarks

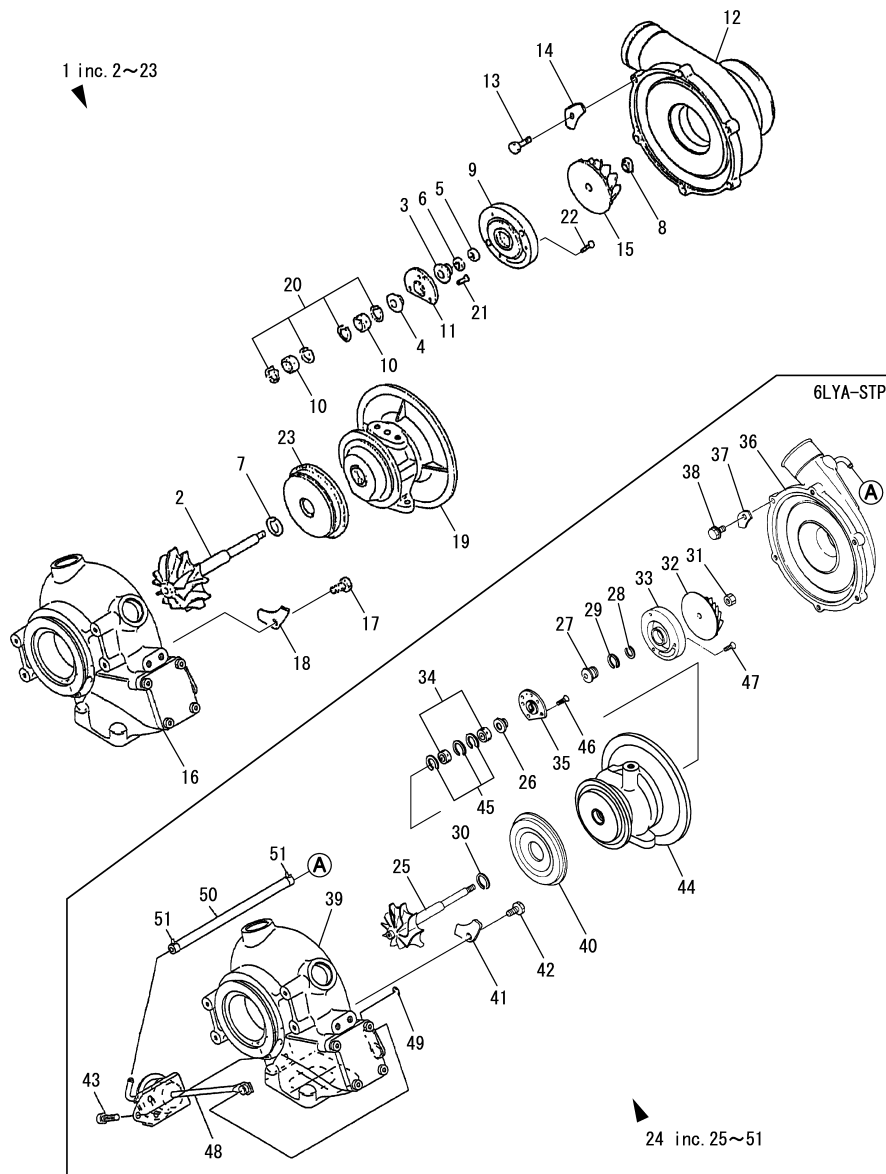
- (1)Interchangeability is (N) with Fig.10 No.1-1.
- (2)Interchangeability is (S) with No.24.



Fig.11. TURBOCHARGER COMPONENT PARTS(FROM MAY 1999)

(A)=6LYA-STP  
(B)=6LYA-STE  
(C)=6LYA-UTE

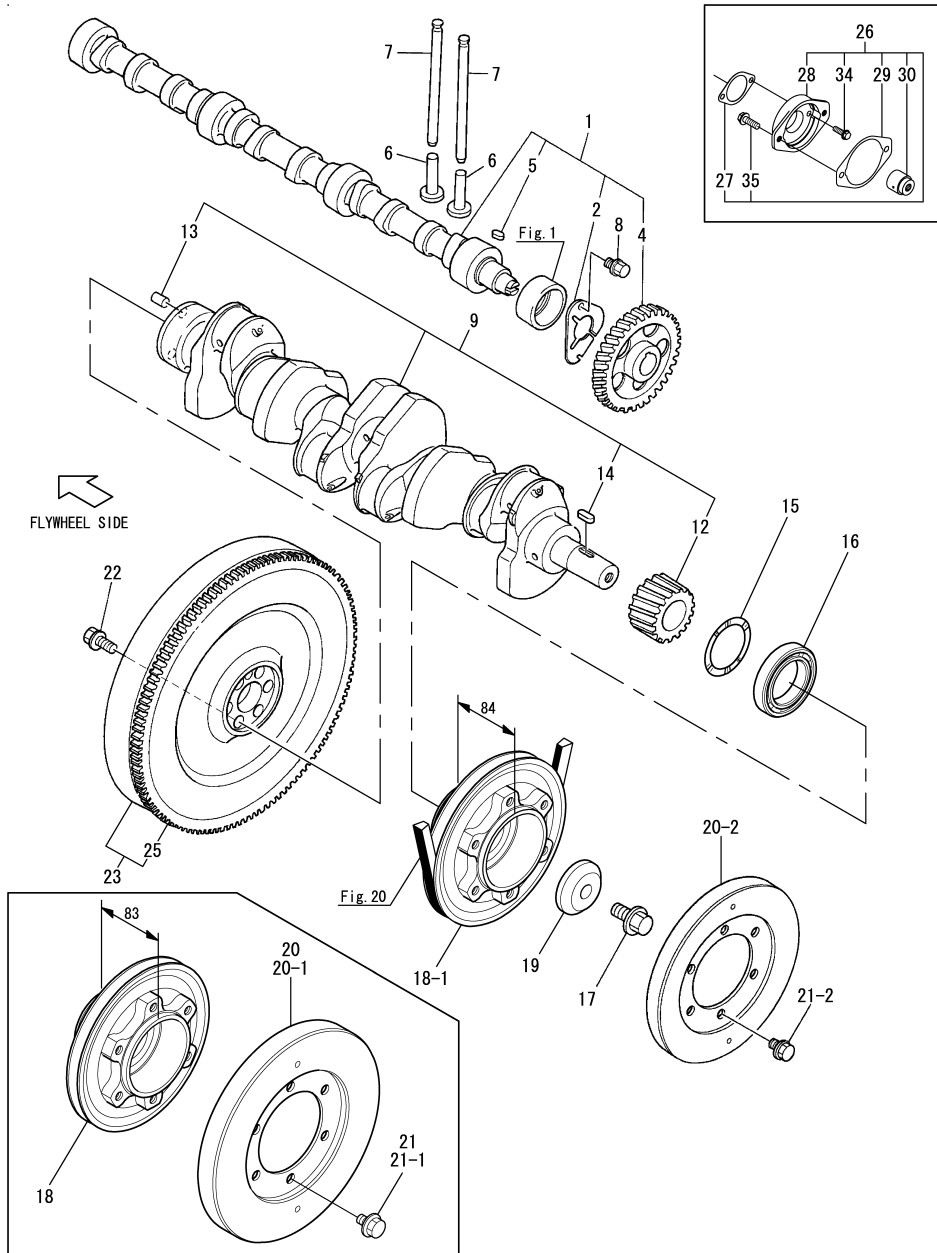
(D)=  
(E)=  
(F)=



No.	Lev.	Parts No.	Description	Q'ty						I	R
				(A)	(B)	(C)	(D)	(E)	(F)		
48	2	XNH963702	ACTUATOR	1							
49	2	XJD532012	CIRCLIP	1							
50	2	XNH978942	BOOST HOSE	1							
51	2	XNN976662	CLIP	2							

Remarks  
(1)Interchangeability is (N) with Fig.10 No.1-1.  
(2)Interchangeability is (S) with No.24.

# Fig.12. CAMSHAFT & CRANKSHAFT



(A)=6LYA-STP  
(B)=6LYA-STE  
(C)=6LYA-UTE

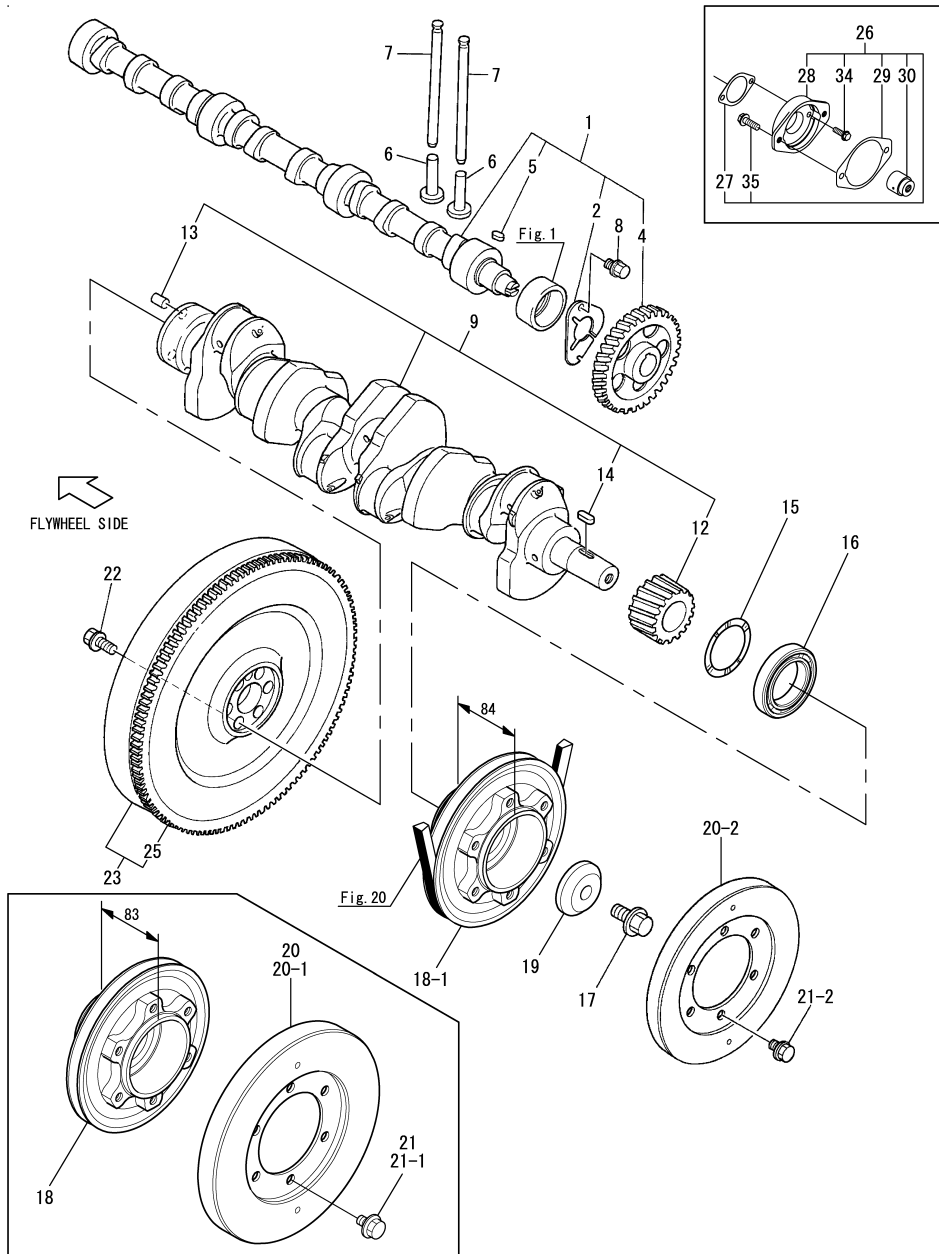
(D)=  
(E)=  
(F)=

No.	Lev.	Parts No.	Description	Q'ty						I	R
				(A)	(B)	(C)	(D)	(E)	(F)		
1	1	119593-14002	CAMSHAFT ASSY	1	1	1					
1-1	1	119574-14000	CAMSHAFT ASSY	1							S
(A=*2002.07)											
2	2	119000-02450	BEARING, THRUST	1	1	1					
4	2	119000-14100	GEAR, CAMSHAFT Z=48	1	1	1					
5	2	22512-070140	KEY, 7X 14	1	1	1					
6	1	119000-14200	TAPPET	12	12	12					
7	1	119171-14400	ROD, PUSH L=178	12	12	12					
8	1	26106-080162	BOLT, M8X 16 PLATED	2	2	2					
8-1	1	26013-080182	BOLT, M8X 18	2							N
(A=*2003.04)											
9	1	719574-21700	CRANKSHAFT ASSY	1	1	1					
12	3	119595-21200	GEAR, CRANKSHAFT	1	1	1					
13	2	121850-21920	PIN, PARALLEL 10X22	1	1	1					
14	2	22512-070220	KEY, 7X 22	1	1	1					
15	1	119595-21300	WASHER, 50	1	1	1					
16	1	24101-060100	BEARING, BALL 6010C3	1	1	1					
17	1	123672-21500	BOLT, M16X50	1	1	1					
18	1	119595-21650	V-PULLEY	1	1	1					
18-1	1	119595-21651	V-PULLEY	1							F 1
(A=E56067)											
19	1	123672-21861	WASHER	1	1	1					
20	1	119593-28050	DAMPER		1	1					
20-1	1	119593-28060	DAMPER, D246XT25	1	1	1					R
(B=E50191) (C=E40161)											
20-2	1	119578-28000	DAMPER	1							F 1
(A=E56067)											
21	1	26106-100162	BOLT, M10X 16 PLATED	6	6	6					
21-1	1	26106-100182	BOLT, M10X 18 PLATED	6							N
(A=*2003.04)											
21-2	1	26106-100222	BOLT, M10X 22 PLATED	6							F 1
(A=E56067)											
22	1	119593-21500	BOLT, FLYWHEEL	6	6	6					
23	1	119593-21601	FLYWHEEL ASSY		1	1					
23-1	1	119593-21602	FLYWHEEL ASSY	1	1	1					N
(B=E50484) (C=E40358)											
23-2	1	119575-21600	FLYWHEEL ASSY	1							S
(A=*2002.07)											
25	2	127410-21480	GEAR, RING Z=129	1	1	1					
26	1	777524-02120	FLANGE KIT, PTO	1							W 2
(A=*2004.09)											
26-1	1	777524-02121	FLANGE KIT, PTO	1							N 2
(A=*2006.03)											
27	2	177524-02210	GASKET, COVER	1							
27-1	2	177524-02211	GASKET, COVER	1							N
(A=*2012.03)											
28	2	177524-02220	FLANGE, SAE#A	1							
28-1	2	177524-02221	FLANGE, SAE#A	1							N
(A=*2006.03)											
29	2	177524-02230	GASKET	1							
30	2	177524-03701	SLEEVE ASSY, SPLINE	1							

**Remarks**

- (1) Interchangeable by simultaneous replacement with No.18-1, 20-2, 21-2.
- (2) Optional parts.

# Fig.12. CAMSHAFT & CRANKSHAFT



(A)=6LYA-STP  
 (B)=6LYA-STE  
 (C)=6LYA-UTE

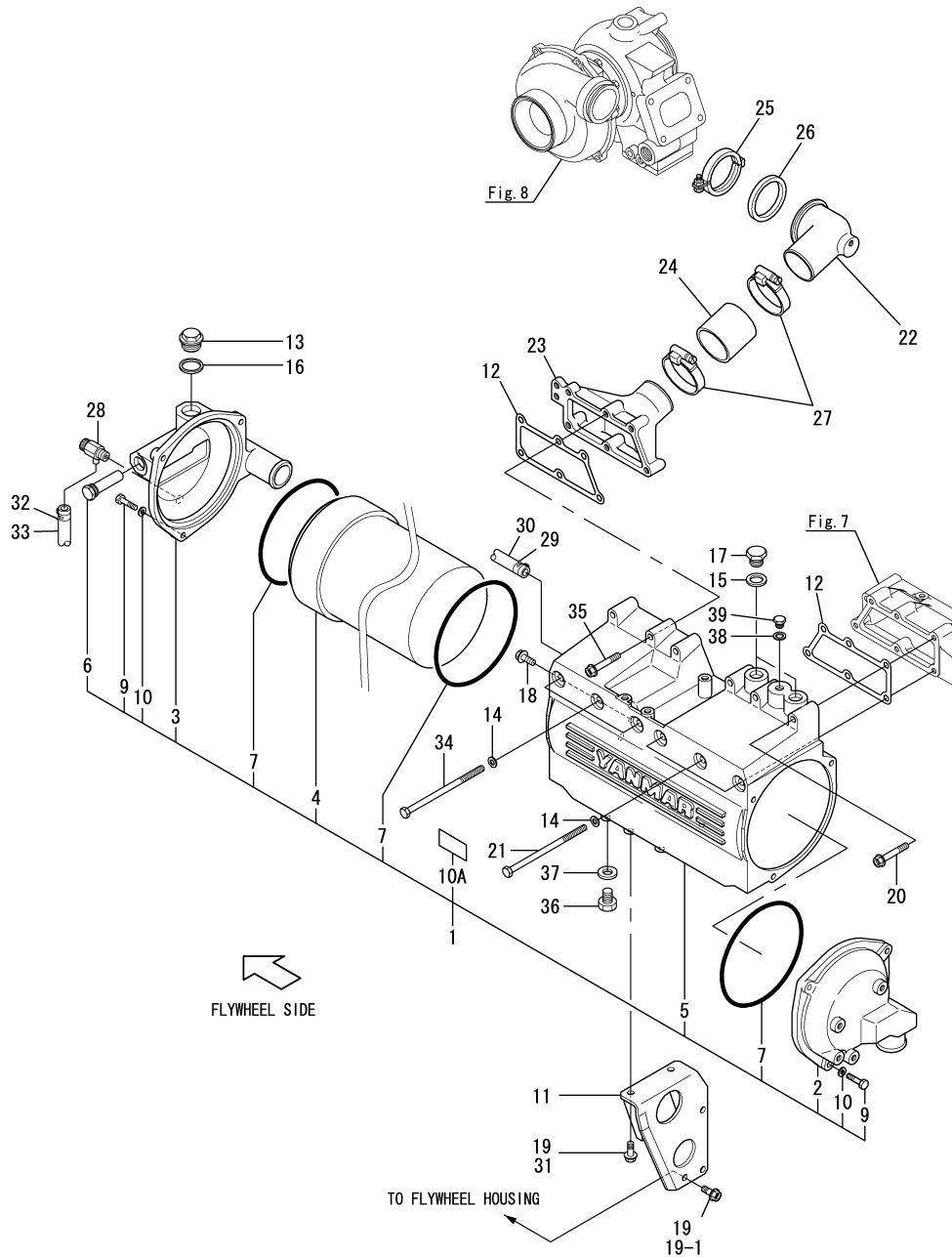
(D)=  
 (E)=  
 (F)=

No.	Lev.	Parts No.	Description	Q'ty						I	R
				(A)	(B)	(C)	(D)	(E)	(F)		
34	2	26106-080302	BOLT, M8X 30 PLATED	2							
35	2	26106-100352	BOLT, M10X 35 PLATED	2							

**Remarks**

- (1)Interchangeable by simultaneous replacement with No.18-1, 20-2, 21-2.
- (2)Optional parts.

Fig.13. AIR COOLER

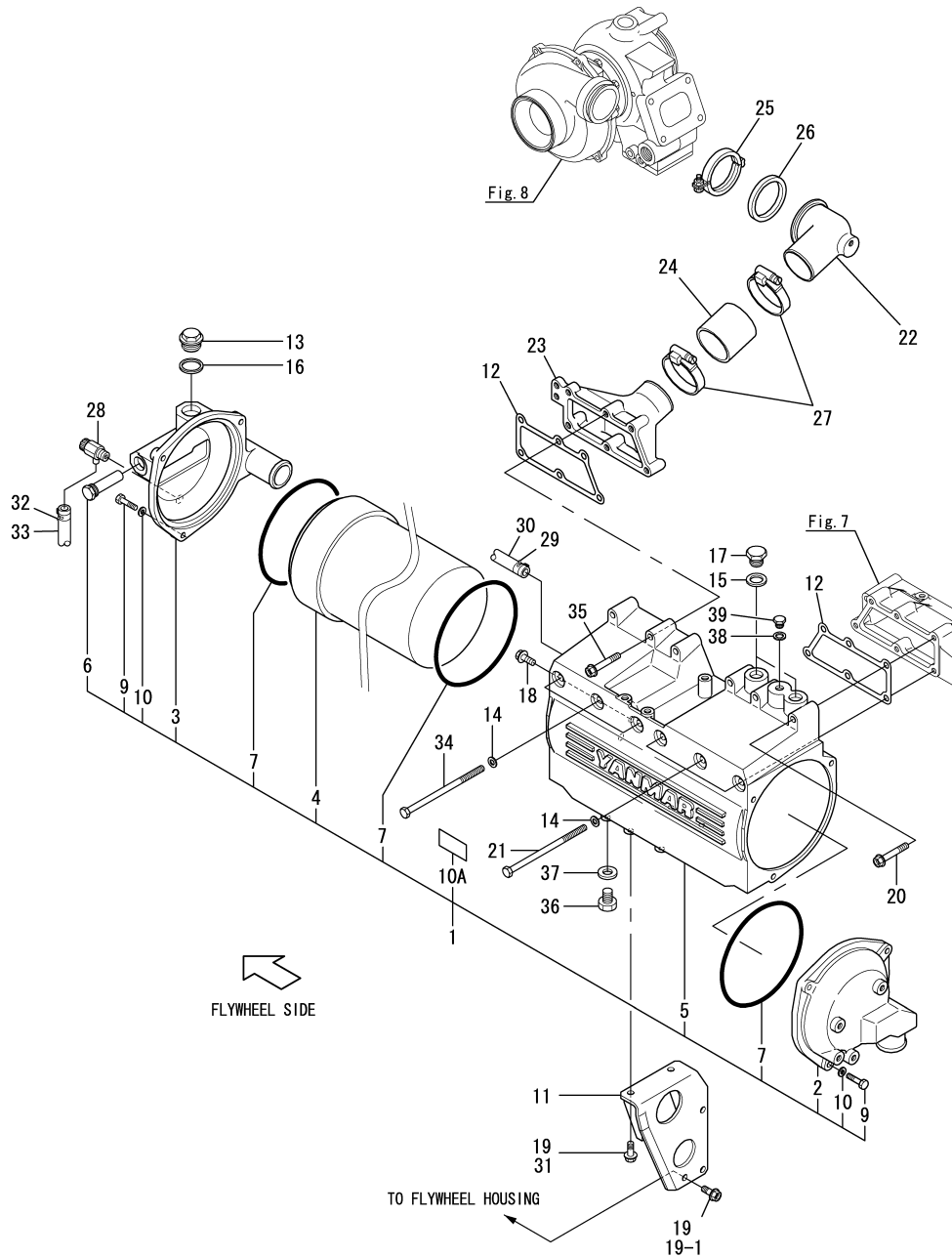


(A)=6LYA-STP  
(B)=6LYA-STE  
(C)=6LYA-UTE

(D)=  
(E)=  
(F)=

No.	Lev.	Parts No.	Description	Q'ty						I	R
				(A)	(B)	(C)	(D)	(E)	(F)		
1	1	119574-18100	COOLER ASSY, INTER		1	1					
1-1	1	119574-18101	COOLER ASSY, INTER (B=E50805) (C=*1999.02)		1	1					N
1-2	1	119574-18102	COOLER ASSY, INTER (B=E50905) (C=E40492)	1	1	1					N
2	2	119574-18750	BOX, WATER	1	1	1					
3	2	119574-18760	BOX, WATER	1	1	1					
4	2	119574-18770	TUBESTACK	1	1	1					
5	2	119574-18780	CASE	1	1	1					
6	2	119574-18790	ZINC, ANTI-CORROSIVE	1	1	1					
7	2	119574-18810	O-RING	3	3	3					
9	2	X214320104	SCREW	6	6	6					
10	2	X211810030	WASHER	6	6	6					
10A	2	119574-18820	LABEL (B=E51387) (C=E40739)	1	1	1					W
11	1	119574-18120	SUPPORT	1	1	1					
11-1	1	119595-18120	SUPPORT (A=*2008.12)	1							R
11-2	1	119595-18121	SUPPORT, AIR COOLER (A=E00782)	1							N
12	1	119574-18600	GASKET(INTER COOLER)		2	2					
12-1	1	119595-18600	GASKET (B=E50905) (C=E40492)	2	2	2					N
13	1	119574-18800	PLUG, M26X1.5	1	1	1					
14	1	22137-080000	WASHER, 8	6	6	6					
15	1	23414-180000	GASKET, 18X1.0		3	3					
15-1	1	23414-200000	GASKET, 20X1.0 (B=E50905) (C=E40492)	2	2	2					S
16	1	23414-260000	GASKET, 26X1.0		1	1					
16-1	1	22190-270002	WASHER, SEAL 27 (B=E50753) (C=*1998.11)	1	1	1					N
17	1	23887-180002	PLUG, 18		3	3					
17-1	1	23887-200002	PLUG, 20 (B=E50905) (C=E40492)	2	2	2					S
18	1	26106-080202	BOLT, M8X 20 PLATED	2	2	2					
19	1	26106-080202	BOLT, M8X 20 PLATED		5	5					
19-1	1	26106-080202	BOLT, M8X 20 PLATED (B=E50131) (C=E40131)	3	3	3					K
20	1	26106-080552	BOLT, M8X 55 PLATED		6	6					
20-1	1	26106-080552	BOLT, M8X 55 PLATED (B=E51387) (C=E40739)	3	3	3					K
21	1	26116-081502	BOLT, M8X150 PLATED		6	6					
21-1	1	26116-081502	BOLT, M8X150 PLATED (B=E51387) (C=E40739)	3	3	3					K
22	1	119574-18170	DUCT, AIR	1	1	1					
22-1	1	119595-18170	DUCT, AIR (A=*2008.12)	1							R
23	1	119574-18180	DUCT, AIR	1	1	1					
23-1	1	119595-18180	DUCT, AIR (A=*2008.12)	1							R
24	1	119574-18250	HOSE, AIR DUCT	1	1	1					

Fig.13. AIR COOLER



(A)=6LYA-STP  
(B)=6LYA-STE  
(C)=6LYA-UTE

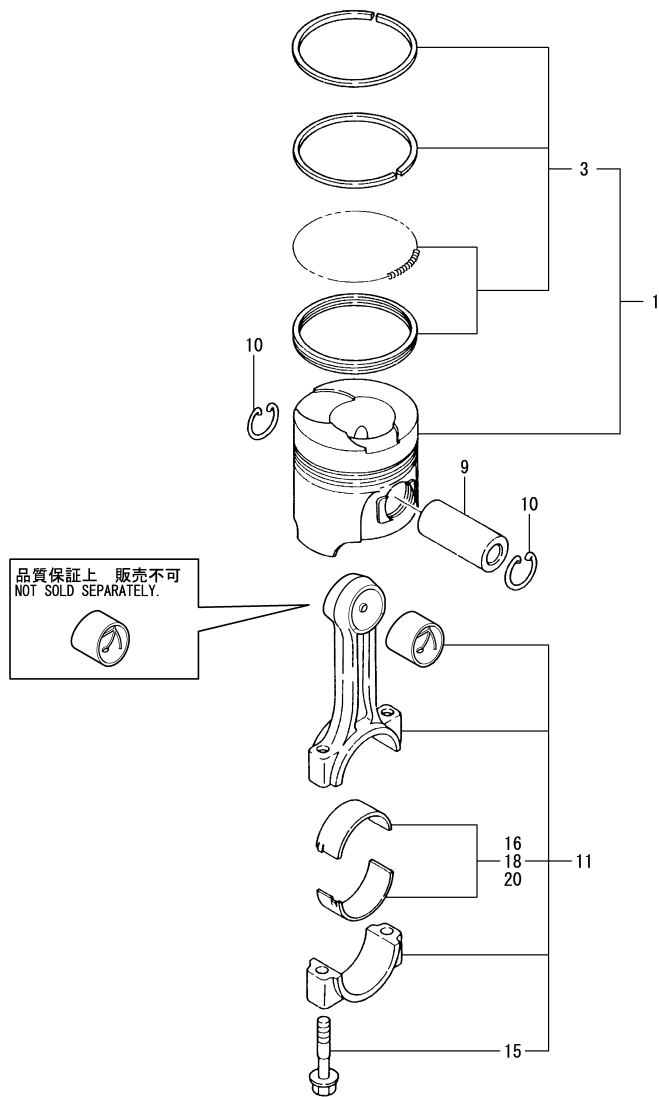
(D)=  
(E)=  
(F)=

No.	Lev.	Parts No.	Description	Q'ty						I	R
				(A)	(B)	(C)	(D)	(E)	(F)		
24-1	1	127695-18251 (A=E00539)	HOSE, RUBBER	1							R
25	1	119574-18700	BAND	1	1	1					
26	1	119593-18800	GASKET	1	1	1					
27	1	127687-18910	CLIP, HOSE	2	2	2					
28	1	120130-49350	COCK, 1/4		2	2					
28-1	1	120130-49350 (B=E50805) (C=*1999.02)	COCK, 1/4		1	1					K
28-2	1	119620-49290 (B=E50966) (C=E40622)	COCK ASSY, 1/4	1	1	1					N
29	1	124766-59050	CLIP, HOSE 11.5	1	1	1					
30	1	23061-100750	PIPE, 10X 750	1	1	1					
31	1	26106-080302 (B=E50131) (C=E40131)	BOLT, M8X 30 PLATED	2	2	2					W
32	1	124460-77680	RETAINER	1	1	1					W
33	1	23061-070400 (B=FROM 1ST) (C=FROM 1ST)	PIPE, 7X 400	1	1	1					W
34	1	26113-081502 (B=E51387) (C=E40739)	BOLT, M8X150	3	3	3					W
35	1	26113-080552 (B=E51387) (C=E40739)	BOLT M 8X 55	3	3	3					W
36	1	124790-55770 (B=E50369) (C=*1997.11)	PLUG, 8	1	1	1					W
37	1	23414-080012 (B=E50369) (C=*1997.11)	GASKET, 8X1.0	1	1	1					W
38	1	23414-120000 (B=E50905) (C=E40492)	GASKET, 12X1.0	1	1	1					W
39	1	23887-120002 (B=E50905) (C=E40492)	PLUG, 12	1	1	1					W

# Fig.14. PISTON & CONNECTING ROD

(A)=6LYA-STP  
(B)=6LYA-STE  
(C)=6LYA-UTE

(D)=  
(E)=  
(F)=

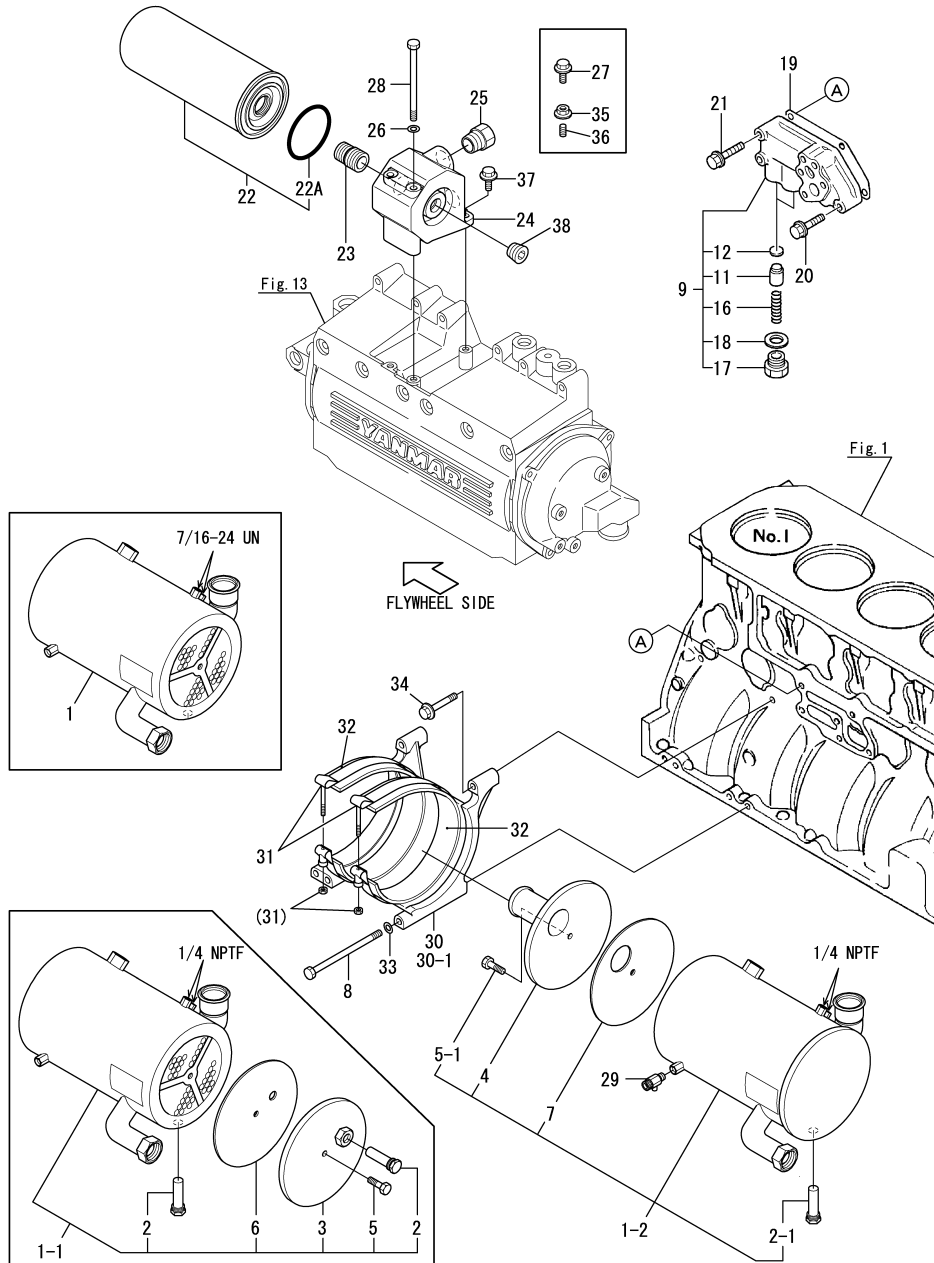


No.	Lev.	Parts No.	Description	Q'ty						I	R
				(A)	(B)	(C)	(D)	(E)	(F)		
1	1	719574-22720	PISTON ASSY	6	6	6					
1-1	1	719574-22721	PISTON ASSY	6							S
(A=*2002.07)											
1-2	1	119574-22110	PISTON ASSY	6							N
(A=E00840)											
3	2	119593-22351	RING SET, PISTON	6	6	6					
9	1	119173-22300	PIN, PISTON	6	6	6					
10	1	22252-000370	RING, 37	12	12	12					
11	1	719593-23700	ROD ASSY, CONNECTING		6	6					
11-1	1	719593-23701	ROD ASSY, CONNECTING	6	6	6					R
(B=E50965) (C=E40614)											
15	2	123500-23200	BOLT, CONNECTING ROD		12	12					
15-1	2	119593-23200	BOLT, CONNECTING ROD	12	12	12					N
(B=E50121) (C=E40105)											
16	2	719593-23600	BEARING, CRANK PIN		6	6					
16-1	2	719595-23600	BEARING, CRANK PIN	6	6	6					S
(B=E50965) (C=E40614)											
18	1	119595-23310	METAL ASSY, 0.50	6	6	6					W 2
(B=FROM 1ST) (C=FROM 1ST)											
18A	1	119593-23400	METAL ASSY, 0.25 US	6	6	6					W 1
(B=FROM 1ST) (C=FROM 1ST)											
20	1	119595-23320	METAL ASSY, 1.00 US	6	6	6					W 3
(B=FROM 1ST) (C=FROM 1ST)											

Remarks

- (1)Under-sized (U.S.=0.25) parts.
- (2)Under-sized (U.S.=0.50) parts.
- (3)Under-sized (U.S.=1.00)cannot be sold.

Fig.15. LUB.OIL COOLER & LUB.OIL STRAINER



(A)=6LYA-STP  
(B)=6LYA-STE  
(C)=6LYA-UTE

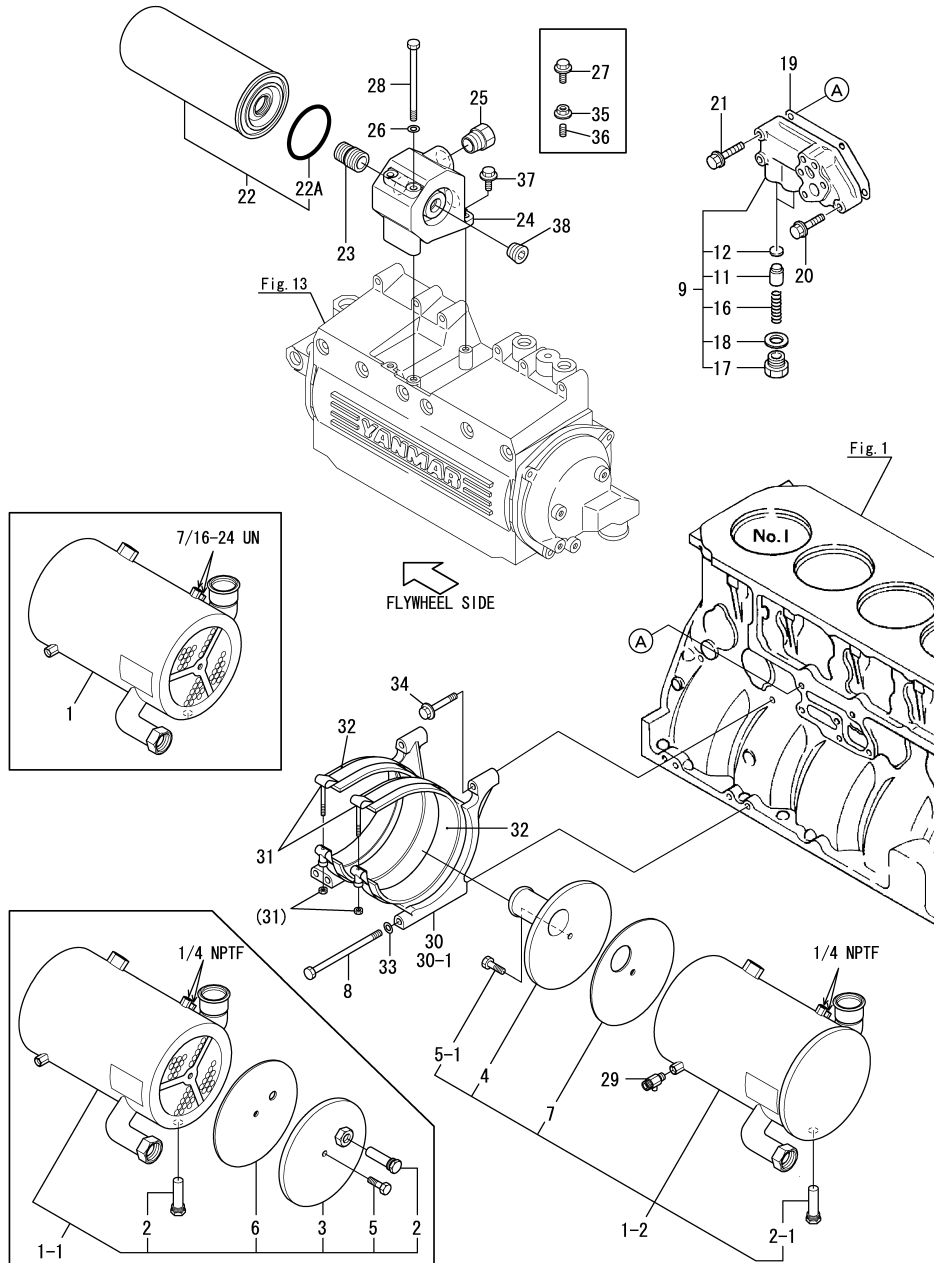
(D)=  
(E)=  
(F)=

No.	Lev.	Parts No.	Description	Q'ty						I	R
				(A)	(B)	(C)	(D)	(E)	(F)		
1	1	119574-33010	COOLER ASSY, OIL		1	1					
1-1	1	119574-33011 (B=E50474) (C=E40348)	COOLER ASSY, OIL	1	1	1					S 1
1-2	1	119574-33030 (A=*2005.05) (B=*2005.05) (C=*2005.05)	COOLER ASSY, OIL	1	1	1					N
2	2	119574-44150	ZINC, ANTI-CORROSIVE	2	2	2					
2-1	2	119574-44150 (A=*2005.05) (B=*2005.05) (C=*2005.05)	ZINC, ANTI-CORROSIVE	1	1	1					K
3	2	119574-33180 (A=*2005.05) (B=*2005.05) (C=*2005.05)	COVER ASSY	1	1	1					Z
4	2	119574-33170	COVER ASSY, A	1	1	1					
5	2	119574-44180	BOLT, UNC 3/8	2	2	2					
5-1	2	119574-44180 (A=*2005.05) (B=*2005.05) (C=*2005.05)	BOLT, UNC 3/8	1	1	1					K
6	2	119574-66160 (A=*2005.05) (B=*2005.05) (C=*2005.05)	GASKET	1	1	1					Z
7	2	119574-33150	GASKET	1	1	1					
8	1	26116-081302	BOLT, M8X130 PLATED	3	3	3					
9	1	119593-34000	VALVE ASSY, CONTROL		1	1					
9-1	1	119593-34001 (B=E50161) (C=E40141)	VALVE ASSY, CONTROL	1	1	1					N
11	2	119000-34030	VALVE, CONTROL	2	2	2					
12	2	121850-35200	SHIM SET	2	2	2					
16	2	124411-35520	SPRING	2	2	2					
17	2	123672-84530	RETAINER, VALVE	2	2	2					
18	2	23414-180000	GASKET, 18X1.0	2	2	2					
19	1	119593-34020	GASKET	1	1	1					
20	1	26106-080402	BOLT, M8X 40 PLATED	1	1	1					
21	1	26106-080452	BOLT, M8X 45 PLATED	4	4	4					
22	1	119593-35100	FILTER ASSY, OIL	1	1	1					
22A	2	X0588530373	GASKET	1	1	1					
23	1	119593-35150	BRACKET	1	1	1					
24	1	119574-35200	BRACKET	1	1	1					
24-1	1	119595-35200 (A=*2009.05)	BRACKET	1							R
25	1	119574-39200	JOINT	2	2	2					
26	1	22137-080000	WASHER, 8	2	2	2					
27	1	26106-080252 (B=E50131) (C=E40131)	BOLT, M8X 25 PLATED		1	1					Z
28	1	26116-081202	BOLT, M8X120 PLATED	2	2	2					
28-1	1	26106-081202 (A=*2011.07)	BOLT, M8X120 PLATED	2							N
29	1	120130-49350	COCK, 1/4		1	1					
29-1	1	119620-49290 (B=E50966) (C=E40622)	COCK ASSY, 1/4	1	1	1					R
30	1	119574-33050	BRACKET	1	1	1					
30-1	1	119595-33050 (A=*2005.05) (B=*2005.05) (C=*2005.05)	BRACKET, COOLER	1	1	1					N
31	1	119574-33600	CLAMP, BOLT	2	2	2					
32	1	119574-33620	SEAT, RUBBER		2	2					
32-1	1	119574-33621	SEAT, RUBBER	2	2	2					N

Remarks

(1) Interchangeable by simultaneous replacement with Fig.17 No.7-1, 23.

Fig.15. LUB.OIL COOLER & LUB.OIL STRAINER



(A)=6LYA-STP  
(B)=6LYA-STE  
(C)=6LYA-UTE

(D)=  
(E)=  
(F)=

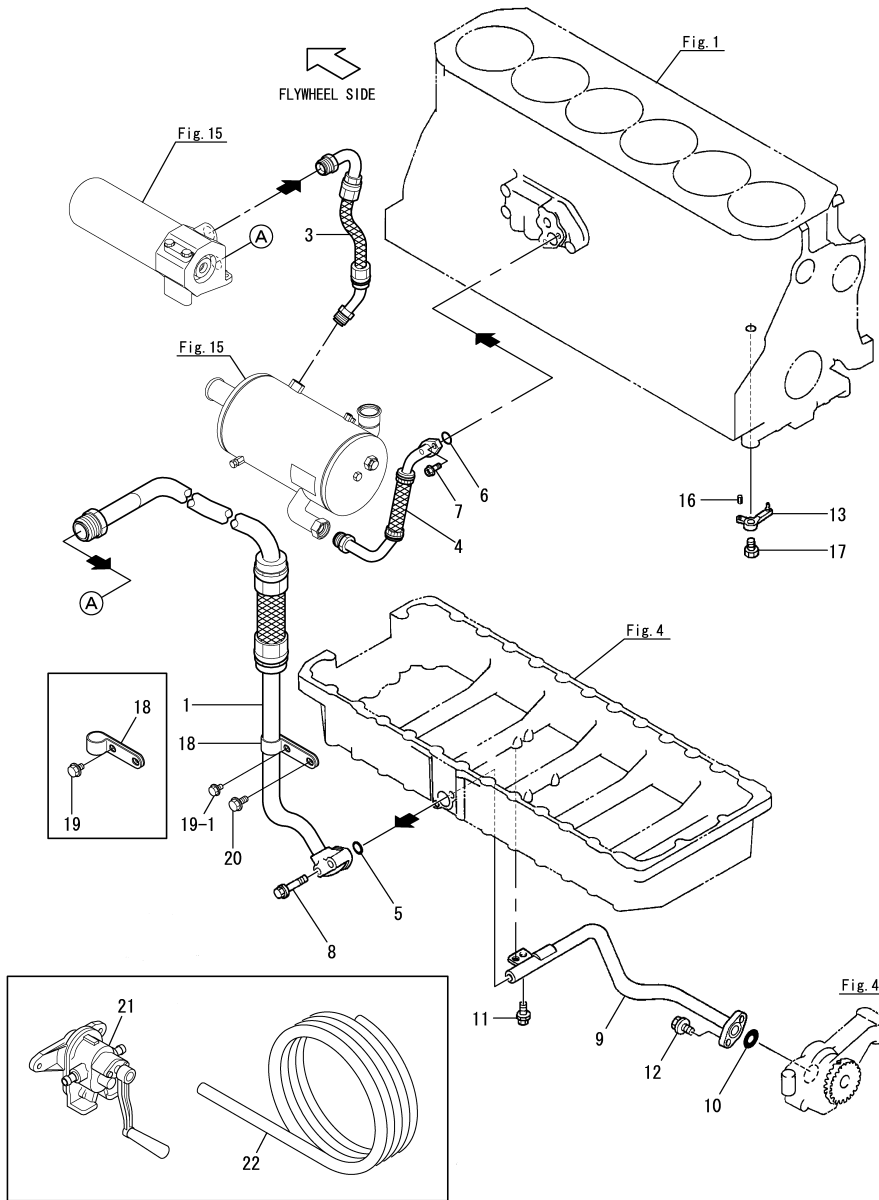
No.	Lev.	Parts No.	Description	Q'ty						I	R
				(A)	(B)	(C)	(D)	(E)	(F)		
			(B=E50474) (C=E40348)								
33	1	22137-080000	WASHER, 8	3	3	3					
34	1	26106-080502	BOLT, M8X 50 PLATED	2	2	2					
35	1	26366-080002	NUT, M8		1	1					W
35-1	1	26366-080002	NUT, M8		1	1					Z
			(B=E50206) (C=E40216)								
36	1	26226-080182	STUD, M8X 18		1	1					W
			(B=E50131) (C=E40131)								
36-1	1	26226-080182	STUD, M8X 18		1	1					Z
			(B=E50206) (C=E40216)								
37	1	26106-080252	BOLT, M8X 25 PLATED	1	1	1					W
			(B=E50206) (C=E40216)								
38	1	23876-040000	PLUG, R04	1							W
		(A)**2009.05									

Remarks

(1)Interchangeable by simultaneous replacement with Fig.17 No.7-1, 23.



Fig.16. LUB. OIL PIPE & NOZZLE



(A)=6LYA-STP  
(B)=6LYA-STE  
(C)=6LYA-UTE

(D)=  
(E)=  
(F)=

No.	Lev.	Parts No.	Description	Q'ty						I	R
				(A)	(B)	(C)	(D)	(E)	(F)		
1	1	119574-39050	PIPE ASSY, OIL		1	1					
1-1	1	119574-39051	PIPE ASSY, OIL (B=E50805) (C=*1999.02)	1	1	1					N
1-2	1	119574-39052	PIPE ASSY, LO (A=*2013.05)	1							R 2
3	1	119574-39110	PIPE ASSY, OIL		1	1					
3-1	1	119574-39111	PIPE ASSY, OIL (B=E50805) (C=*1999.02)	1	1	1					N
4	1	119574-39150	PIPE ASSY, OIL		1	1					
4-1	1	119574-39151	PIPE ASSY, OIL (B=E50626) (C=E40408)		1	1					N
4-2	1	119574-39152	PIPE ASSY, OIL (B=*1999.11) (C=E40545)	1	1	1					R
5	1	24311-000200	O-RING, 1AP20.0	1	1	1					
6	1	24314-000200	O-RING, 4CP20.0	1	1	1					
7	1	26106-080202	BOLT, M8X 20 PLATED	2	2	2					
8	1	26106-080502	BOLT, M8X 50 PLATED	2	2	2					
9	1	119593-39150	PIPE ASSY, OIL	1	1	1					
9-1	1	119593-39151	PIPE ASSY, OIL (A=*2004.08)	1							R
10	1	24311-000200	O-RING, 1AP20.0	1	1	1					
11	1	26106-080162	BOLT, M8X 16 PLATED	2	2	2					
11-1	1	26013-080182	BOLT, M8X 18 (A=*2003.04)	2							N
12	1	26106-080222	BOLT, M8X 22 PLATED	2	2	2					
12-1	1	26106-080252	BOLT, M8X 25 PLATED (A=*2003.04)	2							N
13	1	119593-39560	NOZZLE ASSY, COOLING	6	6	6					
16	1	22351-040010	PIN, SPRING 4.0X10	6	6	6					
17	1	23857-030000	BOLT, JOINT 3	6	6	6					
18	1	119574-39120	RETAINER (B=E40161) (C=E40141)	1	1	1					W 1
18-1	1	119595-39120	RETAINER, PIPE (A=*2008.12)	1							R
19	1	26106-080122	BOLT, M8X 12 PLATED (B=E40161) (C=E40141)		1	1					W
19-1	1	26106-060122	BOLT, M6X 12 PLATED (B=E50275) (C=E40734)	1	1	1					S
20	1	26106-080182	BOLT, M8X 18 PLATED (B=E40161) (C=E40141)	1	1	1					W
21	1	124413-39100	PUMP ASSY, WASTE	1	1	1					
22	1	43720-001220	PIPE	1	1	1					
22-1	1	120130-39990	HOSE, OIL DRAIN 3M (A=E00239)	1							R

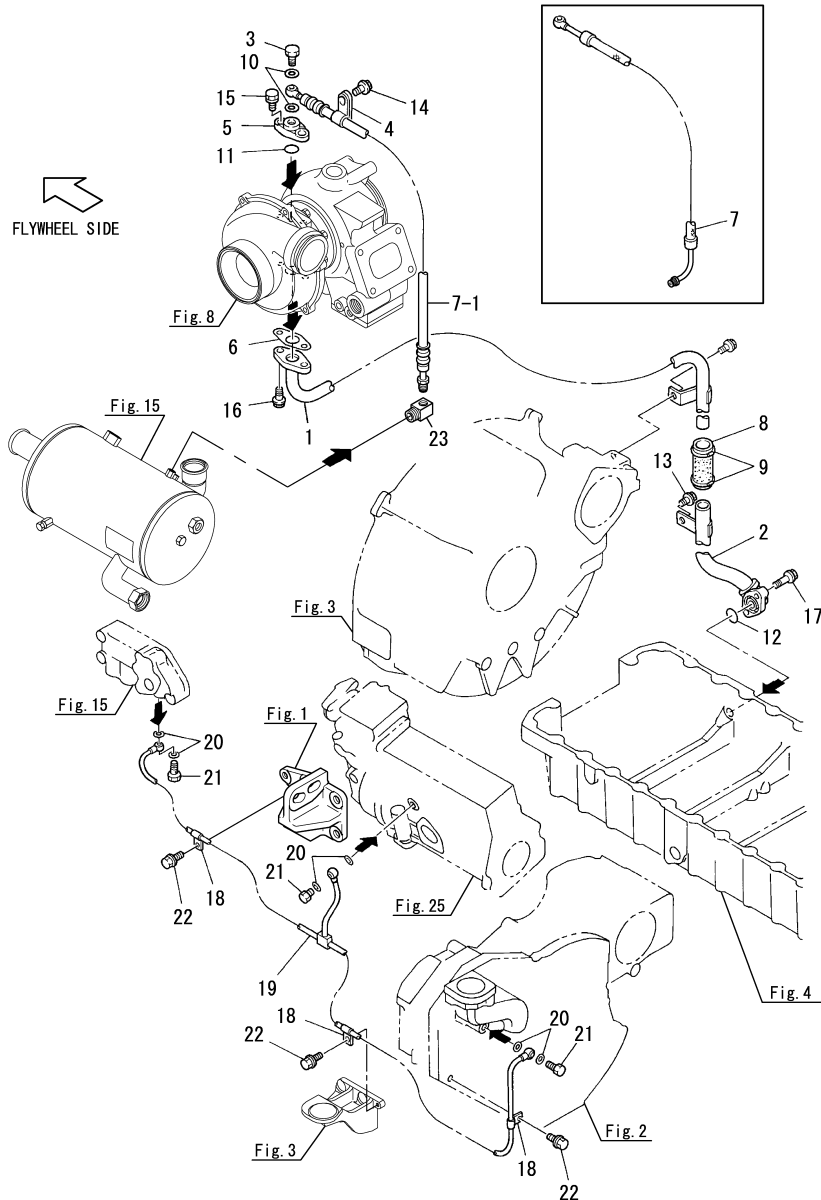
Remarks

- (1)Some sizes have been changed.(From M8 to M6).  
Interchangeable by simultaneous replacement with No.18, 19-1.
- (2)6LYA-STP:From 2013/05.

Fig.17. LUB. OIL PIPE(TURBOCHARGER)

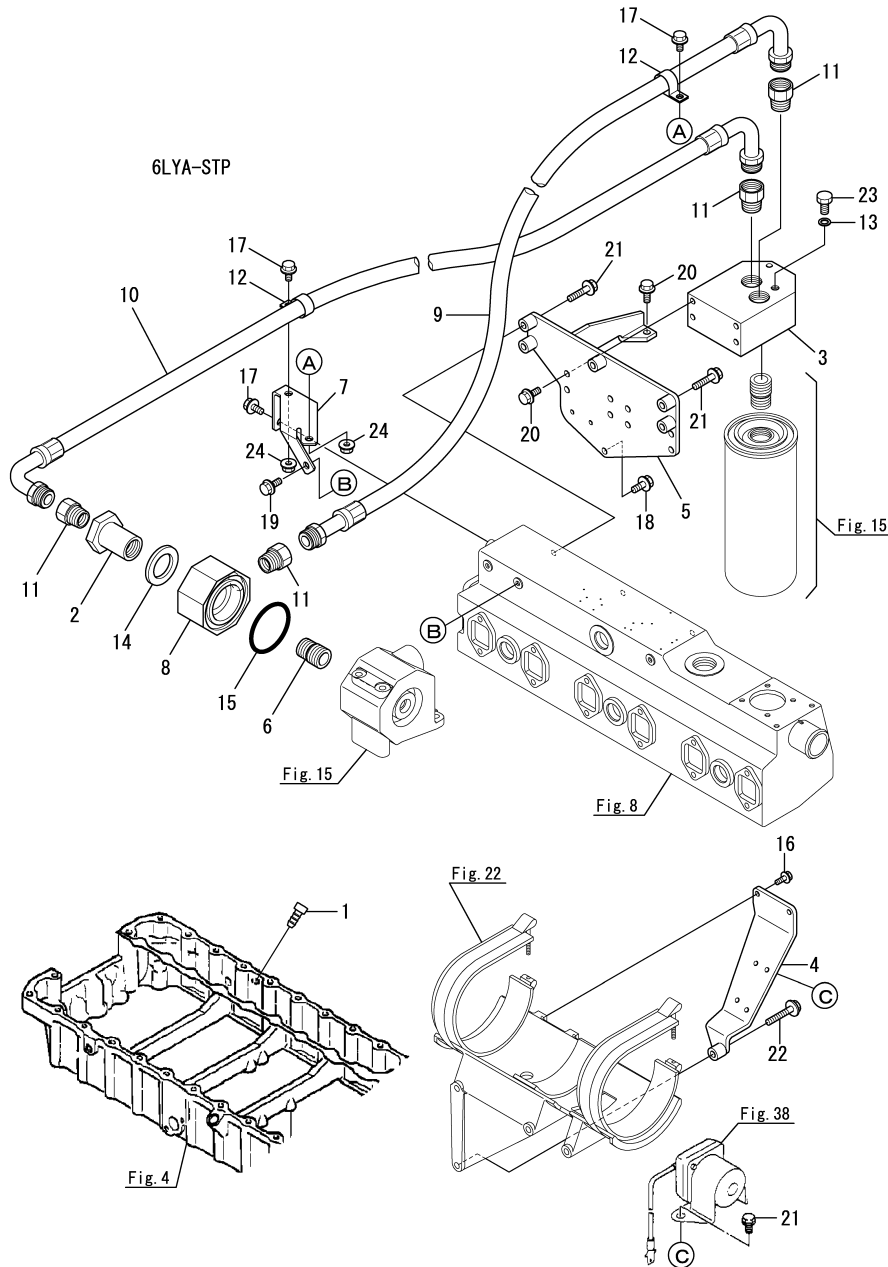
(A)=6LYA-STP  
(B)=6LYA-STE  
(C)=6LYA-UTE

(D)=  
(E)=  
(F)=



No.	Lev.	Parts No.	Description	Q'ty						I	R
				(A)	(B)	(C)	(D)	(E)	(F)		
1	1	119574-39600	PIPE ASSY, OIL		1	1					
1-1	1	119574-39601	PIPE ASSY, OIL	1	1	1					S
		(B=E50303)	(C=E40283)								
2	1	119574-39650	PIPE ASSY, OIL		1	1					
2-1	1	119574-39651	PIPE ASSY, OIL	1	1	1					S
		(B=E50303)	(C=E40283)								
3	1	124160-39140	BOLT, PIPE JOINT M10	1	1	1					
4	1	119593-39450	RETAINER	1	1	1					
5	1	119593-39620	SPACER	1	1	1					
5-1	1	119593-39630	FLANGE, M10	1							R
		(A=E00308)									
6	1	119593-39690	GASKET	1	1	1					
7	1	119574-39700	PIPE ASSY, OIL		1	1					
7-1	1	119574-39701	PIPE ASSY, OIL		1	1					S
		(B=E50474)	(C=E40348)								
7-2	1	119574-39702	PIPE ASSY, OIL		1	1					N
		(B=E50805)	(C=*1999.02)								
7-3	1	119595-39700	PIPE ASSY, OIL	1	1	1					N
		(B=E50965)	(C=E40585)								
8	1	119574-39820	HOSE, RETURN	1	1	1					
8-1	1	123688-39820	JOINT	1							R
		(A=*2008.12)									
9	1	23000-028000	CLAMP, 28	2	2	2					
9-1	1	119172-48280	CLIP, HOSE 28	2							N
		(A=*2010.09)									
10	1	23414-100000	GASKET, 10X1.0	2	2	2					
11	1	24314-000200	O-RING, 4CP20.0	1	1	1					
12	1	24324-000250	O-RING, 4CG25.0	1	1	1					
13	1	26106-080162	BOLT, M8X 16 PLATED	2	2	2					
14	1	26106-080162	BOLT, M8X 16 PLATED	1	1	1					
15	1	26106-080202	BOLT, M8X 20 PLATED	2	2	2					
16	1	26106-080252	BOLT, M8X 25 PLATED	2	2	2					
17	1	26106-080202	BOLT, M8X 20 PLATED	2	2	2					
17-1	1	26106-100222	BOLT, M10X 22 PLATED	2	2	2					S
		(B=E50303)	(C=E40283)								
18	1	124450-39240	RETAINER, PIPE	3	3	3					
19	1	119593-39401	PIPE, OIL	1	1	1					
20	1	23414-080000	GASKET, 8X1.0	6	6	6					
21	1	23857-030000	BOLT, JOINT 3	3	3	3					
22	1	26106-080122	BOLT, M8X 12 PLATED	3	3	3					
23	1	119574-39720	JOINT	1	1	1					W
		(B=E50474)	(C=E40348)								

Fig.53. (17A)REMOTE LUB.OIL STRAINER(OPTIONAL)

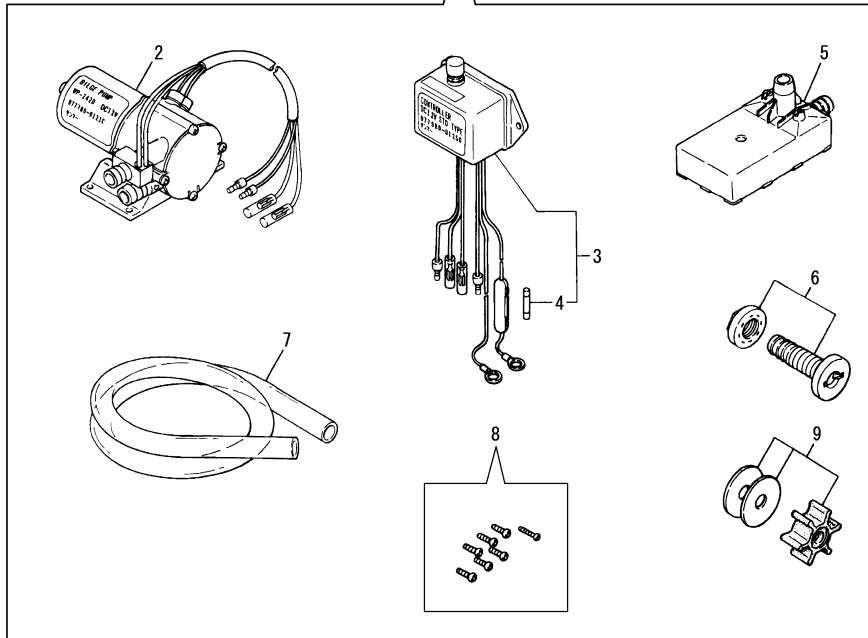
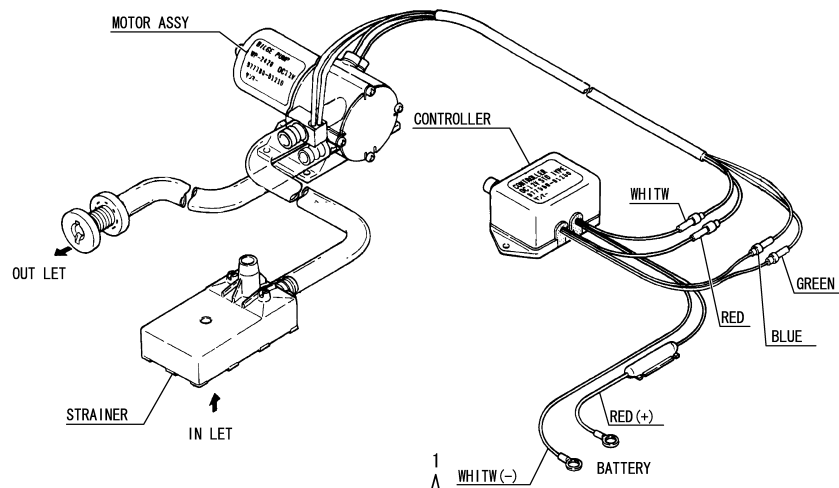


(A)=6LYA-STP  
(B)=6LYA-STE  
(C)=6LYA-UTE

(D)=  
(E)=  
(F)=

No.	Lev.	Parts No.	Description	Q'ty						I	R
				(A)	(B)	(C)	(D)	(E)	(F)		
1	1	124976-34850	CAP	1							
2	1	119575-35050	JOINT, REMOTE	1							
3	1	119575-35100	BRACKET	1							
4	1	119575-35120	BRACKET	1							
5	1	119575-35140	BRACKET	1							W
(A=*2002.06)											
6	1	119593-35150	BRACKET	1							
7	1	119575-35160	STAY	1							
8	1	119575-35200	ADAPTER, FILTER	1							
9	1	119575-35300	PIPE, OIL	1							
10	1	119575-35310	PIPE, OIL	1							
11	1	119574-39200	JOINT	4							
12	1	124770-49310	RETAINER	2							
13	1	23414-100000	GASKET, 10X1.0	1							
14	1	23414-360000	GASKET, 36X1.0	1							
15	1	24311-000700	O-RING, 1AP70.0	1							
16	1	26106-060162	BOLT, M6X 16 PLATED	2							
17	1	26106-080162	BOLT, M8X 16 PLATED	3							
18	1	26106-080202	BOLT, M8X 20 PLATED	1							
19	1	26106-080202	BOLT, M8X 20 PLATED	1							
20	1	26106-080202	BOLT, M8X 20 PLATED	5							
21	1	26106-080352	BOLT, M8X 35 PLATED	5							
22	1	26106-080452	BOLT, M8X 45 PLATED	1							
23	1	26156-100202	BOLT, M10X 20 PLATED	1							
24	1	26306-080002	NUT, M8	2							

Fig.18. BILGE PUMP(STD)(OPTIONAL)(TO DEC. 1996)



(A)=6LYA-STP  
(B)=6LYA-STE  
(C)=6LYA-UTE

(D)=  
(E)=  
(F)=

No.	Lev.	Parts No.	Description	Q'ty						I	R	
				(A)	(B)	(C)	(D)	(E)	(F)			
1	1	977780-01210	PUMP(12V),BILGE		1	1						
1-1	1	977780-01211 (B=*1997.01) (C=*1997.01)	PUMP ASSY, BILGE		1	1					N	1
2	2	977780-01230	MOTOR ASSY(BILG PUMP		1	1						
3	2	977780-01250	CONTROLLER		1	1						
4	3	X8636008003	FUSE		1	1						
5	2	X179100021X	STRAINER		1	1						
6	2	X179100100X	PIPE ASSY		1	1						
7	2	X0044021509	HOSE A		1	1						
8	2	X199903800X	SCREW KIT		1	1						
9	2	977780-03000	INPELLER		1	1						

Remarks

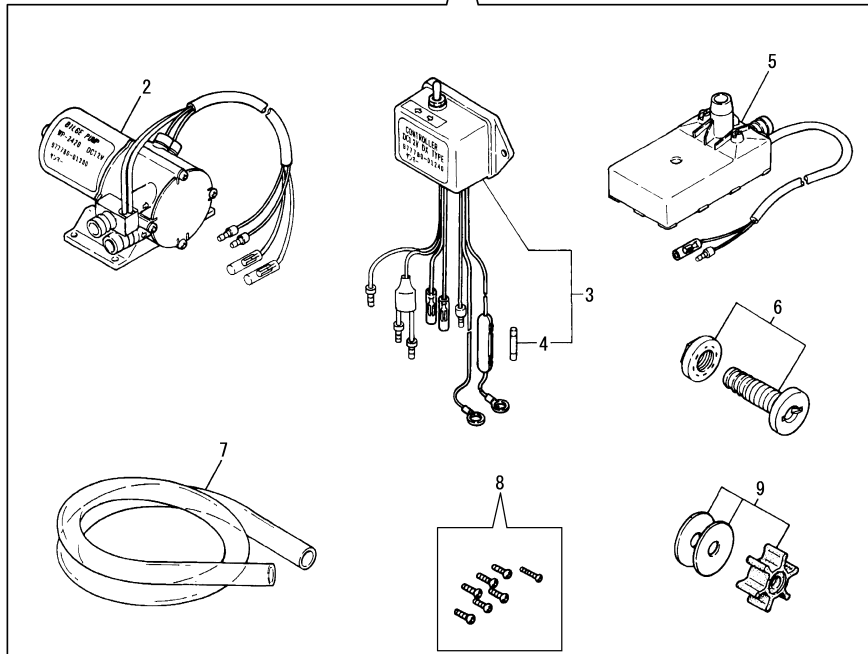
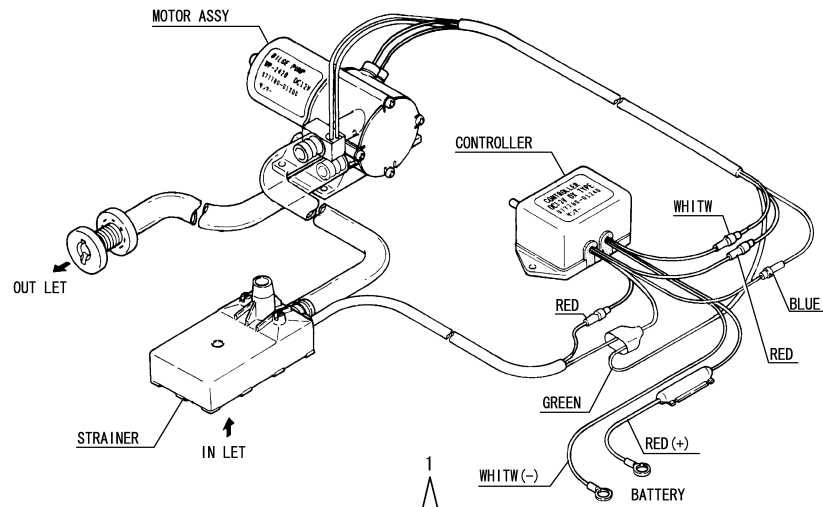
(1) Inner parts are shown in Fig.56.

Fig.19. BILGE PUMP(DX)(OPTIONAL))(TO DEC. 1996)

(A)=6LYA-STP  
(B)=6LYA-STE  
(C)=6LYA-UTE

(D)=  
(E)=  
(F)=

No.	Lev.	Parts No.	Description	Q'ty						I	R	
				(A)	(B)	(C)	(D)	(E)	(F)			
1	1	977780-01200	PUMP(12V),BILGE		1	1						
1-1	1	977780-01211	PUMP ASSY, BILGE		1	1					N	1
		(B=*1997.01)										
		(C=*1997.01)										
2	2	977780-01230	MOTOR ASSY(BILG PUMP		1	1						
3	2	977780-01240	CONTROLLER		1	1						
4	3	X8636008003	FUSE		1	1						
5	2	X179100011X	STRAINER		1	1						
6	2	X179100100X	PIPE ASSY		1	1						
7	2	X0044021509	HOSE A		1	1						
8	2	X199903800X	SCREW KIT		1	1						
9	2	977780-03000	INPELLER		1	1						



Remarks

(1) Inner parts are shown in Fig.56.

Fig.56. (19A)BILGE PUMP(OPTIONAL)(FROM JAN. 1997)

(A)=6LYA-STP  
(B)=6LYA-STE  
(C)=6LYA-UTE

(D)=  
(E)=  
(F)=

No.	Lev.	Parts No.	Description	Q'ty						I	R
				(A)	(B)	(C)	(D)	(E)	(F)		
1	1	977780-01211 (B=*1997.01)	PUMP ASSY, BILGE (C=*1997.01)	1	1	1					W
2	2	X0318101004	MOTOR ASSY, BILGE	1	1	1					
3	2	X158606410X	SWITH	1	1	1					
4	3	X8636015001	FUSE	1	1	1					
5	2	X179100022X	STRAINER	1	1	1					
6	2	X179100100X	PIPE ASSY	1	1	1					
7	2	X0044021509	HOSE A	1	1	1					
8	2	X199906101X	SCREW SET	1	1	1					
9	2	977780-03000	INPELLER	1	1	1					

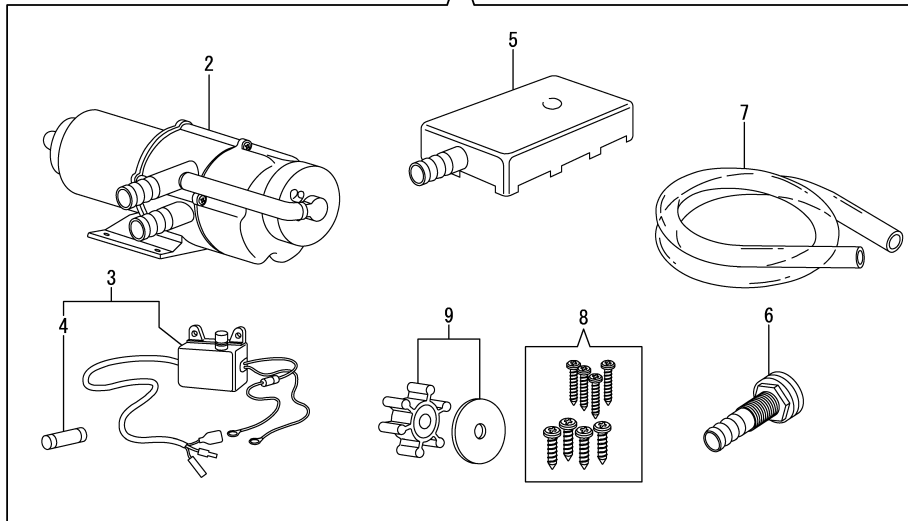
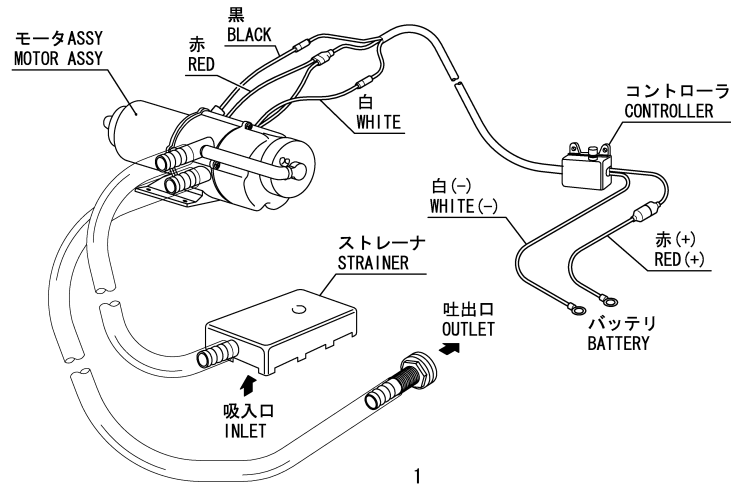
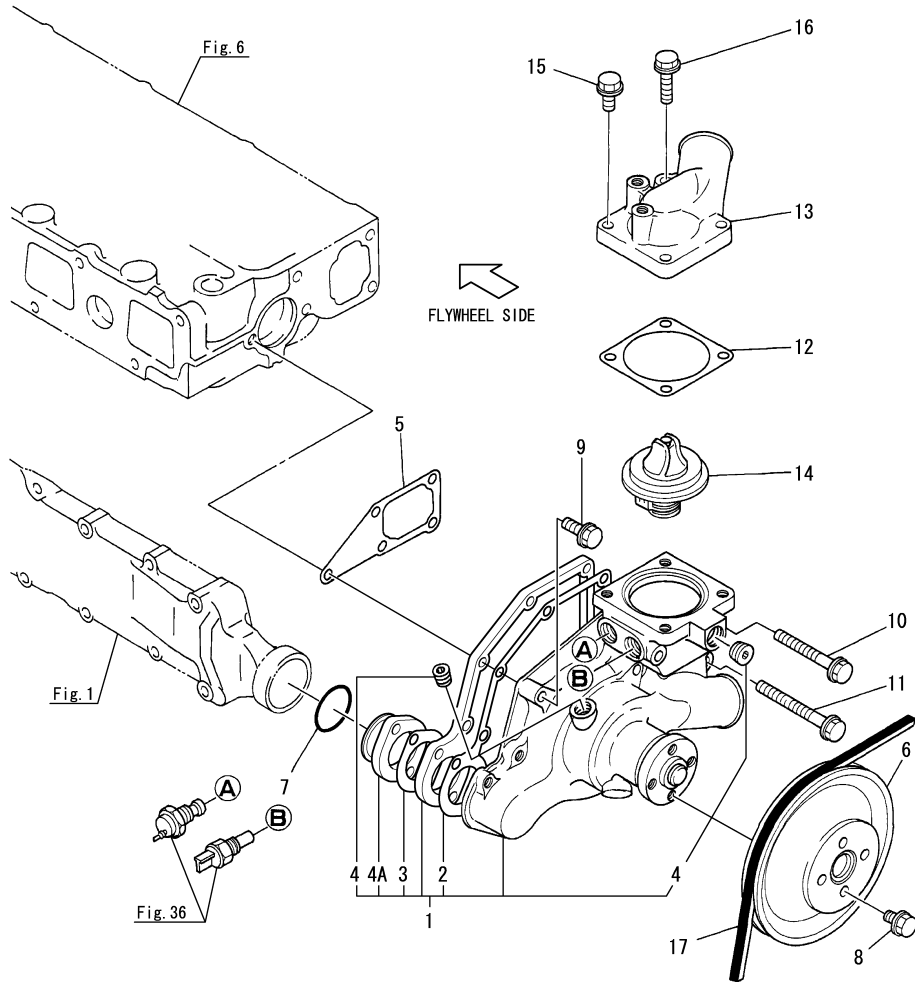


Fig.20. COOLING FRESH WATER PUMP & THERMOSTAT

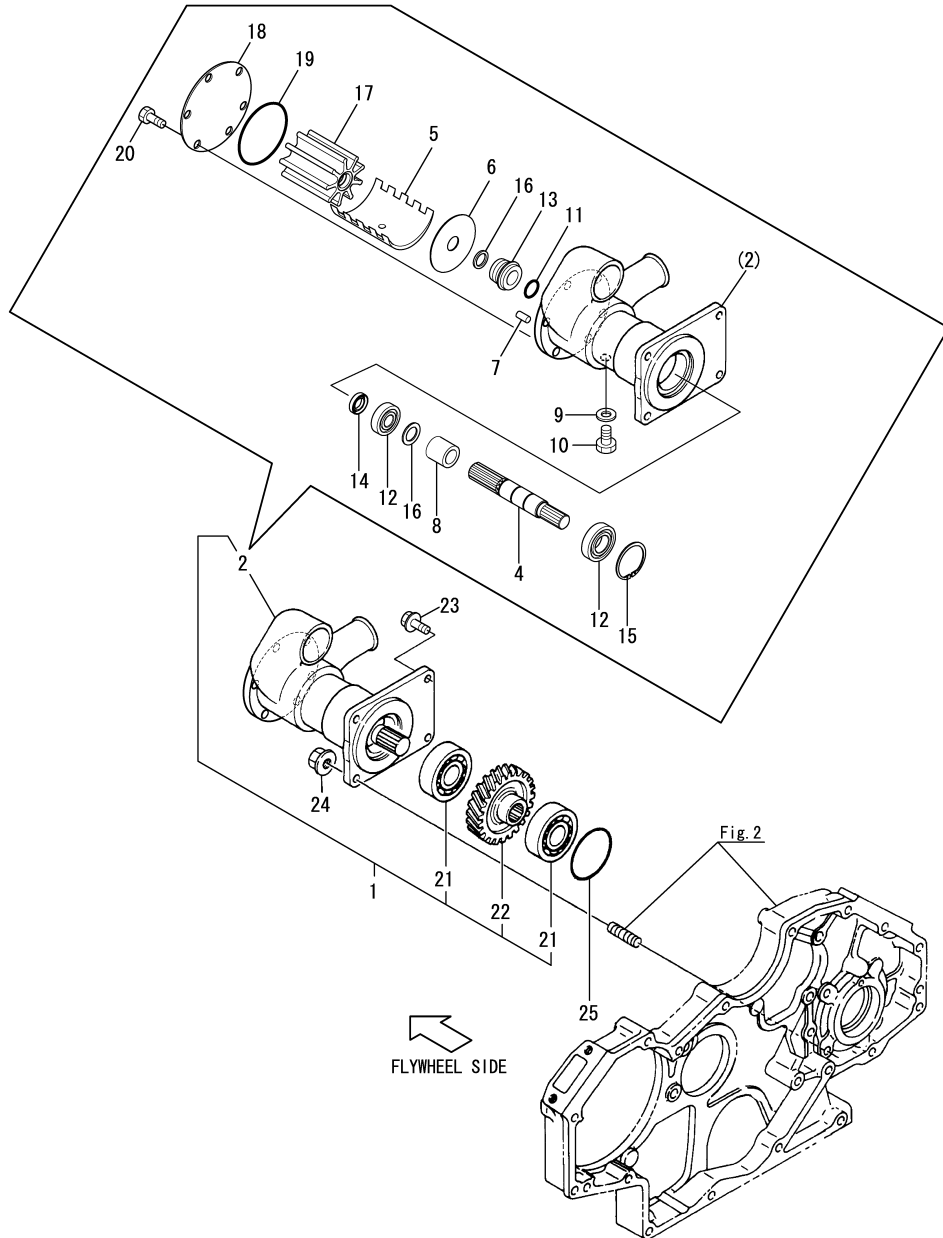


(A)=6LYA-STP  
(B)=6LYA-STE  
(C)=6LYA-UTE

(D)=  
(E)=  
(F)=

No.	Lev.	Parts No.	Description	Q'ty						I	R
				(A)	(B)	(C)	(D)	(E)	(F)		
1	1	119593-42010	PUMP ASSY, WATER	1	1	1					
2	2	XKWPY642021	GASKET	1	1	1					
3	2	XKWPY642101	GASKET			1					
3-1	2	119593-42130	GASKET (B=FROM 1ST) (C=FROM 1ST)	1	1	1					R
3-2	2	119578-42130	GASKET	1							R
4	2	23871-030000	PLUG, R03 (A=*2005.11)	2	2	2					
4A	2	119593-42120	FLANGE (B=FROM 1ST) (C=FROM 1ST)	1	1	1					W
5	1	119593-42021	GASKET, WATER PUMP	1	1	1					
6	1	119593-42300	V-PULLEY	1	1	1					
7	1	24321-000450	O-RING, 1AG45.0	1	1	1					
8	1	26106-080182	BOLT, M8X 18 PLATED	4	4	4					
9	1	26106-080302	BOLT, M8X 30 PLATED	1	1	1					
10	1	26106-080802	BOLT, M8X 80 PLATED	2	2	2					
11	1	26106-080952	BOLT, M8X 95 PLATED	2	2	2					
12	1	119593-49291	GASKET, THERMOSTAT	1	1	1					
13	1	119593-49530	COVER, THERMOSTAT	1	1	1					
14	1	119593-49550	THERMOSTAT, 76.5	1	1	1					
15	1	26106-080252	BOLT, M8X 25 PLATED	3	3	3					
16	1	26106-080452	BOLT, M8X 45 PLATED	1	1	1					
17	1	119593-42280	V-BELT, A53	1	1	1					

Fig.21. COOLING SEA WATER PUMP



(A)=6LYA-STP  
(B)=6LYA-STE  
(C)=6LYA-UTE

(D)=  
(E)=  
(F)=

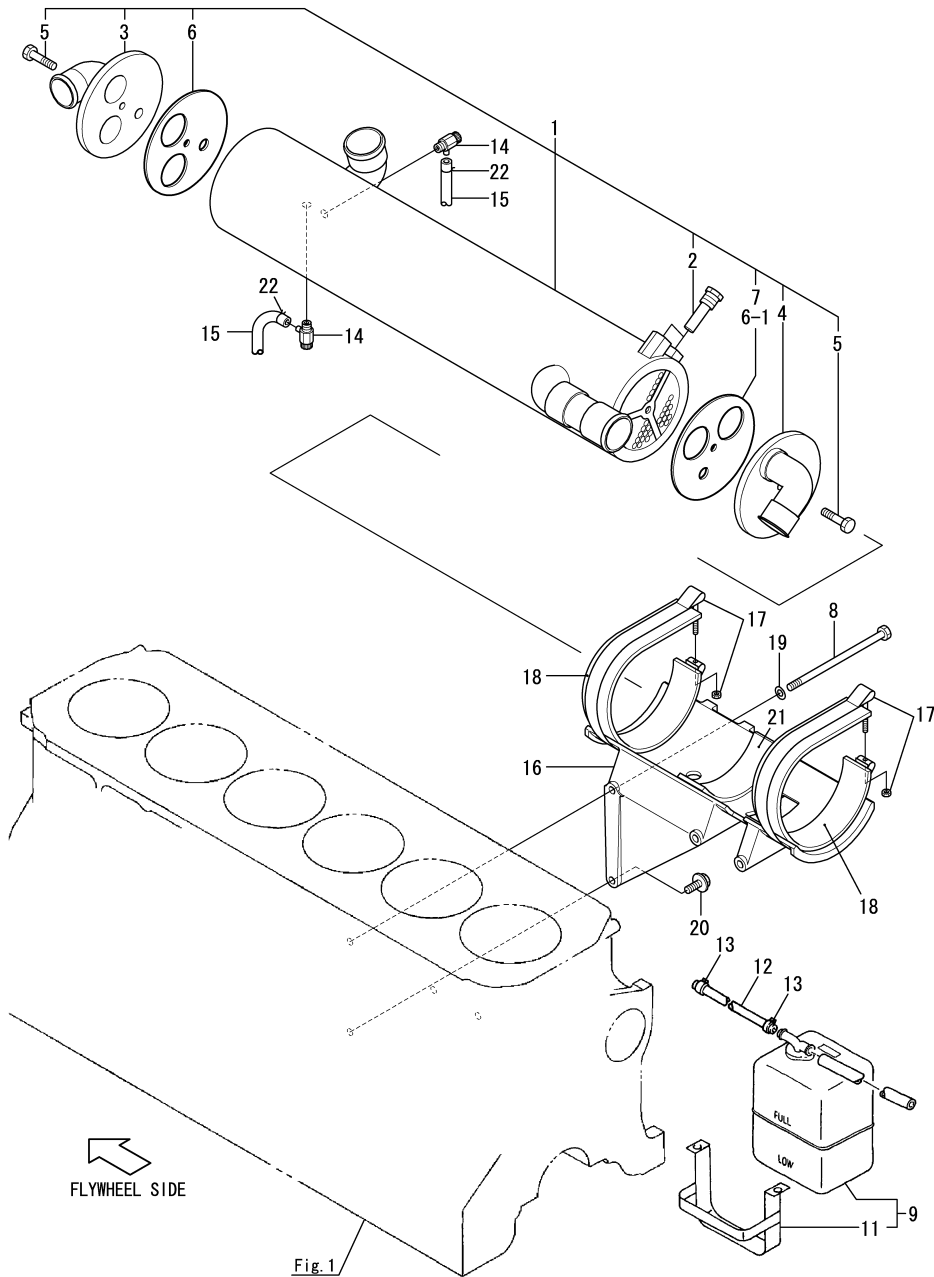
No.	Lev.	Parts No.	Description	Q'ty						I	R
				(A)	(B)	(C)	(D)	(E)	(F)		
1	1	719574-42700	PUMP ASSY, WATER	1	1	1					
2	2	119574-42500	PUMP ASSY, WATER		1	1					
2-1	2	119574-42501	PUMP ASSY, WATER	1	1	1					N
2-2	2	119574-42502	PUMP ASSY, WATER	1	1	1					R
		(A=*2006.10) (B=*2006.10) (C=*2006.10)									
		(A=*2007.08) (B=*2007.08) (C=*2007.08)									
4	3	X0135771	SHAFT	1	1	1					
5	3	119578-42610	CAM, PUMP	1	1	1					W
		(A=*2010.09) (B=*2010.09) (C=*2010.09)									
6	3	119578-42620	PLATE	1	1	1					
7	3	119578-42630	PIN	1	1	1					
8	3	119578-42690	SPACER	1	1	1					
9	3	119578-42700	WASHER	1	1	1					
10	3	119578-42720	SCREW	1	1	1					
11	3	119578-42640	O-RING	1	1	1					
12	3	119578-42660	BEARING	2	2	2					
13	3	119578-42600	SEAL, MECHANICAL	1	1	1					
14	3	119578-42650	SEAL, LIP	1	1	1					
15	3	119578-42680	RETAINER, BEARING	1	1	1					
16	3	119578-42670	RETAINER, SEAL	2	2	2					
17	3	119574-42550	IMPELLER	1	1	1					
17-1	3	119574-42551	IMPELLER	1	1	1					N
		(A=*2006.10) (B=*2006.10) (C=*2006.10)									
17-2	3	119574-42552	IMPELLER	1	1	1					R
		(A=*2007.08) (B=*2007.08) (C=*2007.08)									
18	3	119574-42560	COVER, END	1	1	1					W
		(B=FROM 1ST) (C=FROM 1ST)									
19	3	119574-42570	O-RING	1	1	1					W
		(B=FROM 1ST) (C=FROM 1ST)									
20	3	119175-42620	SCREW	6	6	6					W
		(B=E50965) (C=E40585)									
20-1	3	119574-42580	SCREW	6	6	6					N
		(A=*2006.10) (B=*2006.10) (C=*2006.10)									
21	2	24101-060064	BEARING, BALL 6006	2	2	2					
22	2	119100-26200	GEAR, PUMP	1	1	1					
23	1	26106-080202	BOLT, M8X 20 PLATED	2	2	2					
24	1	26366-080002	NUT, M8		2	2					
24-1	1	26306-080002	NUT, M8	2	2	2					N
		(B=E51655) (C=E40890)									
25	1	24341-000800	O-RING, 1AS80.0	1	1	1					



Fig.22. COOLING FRESH WATER COOLER & SUB TANK

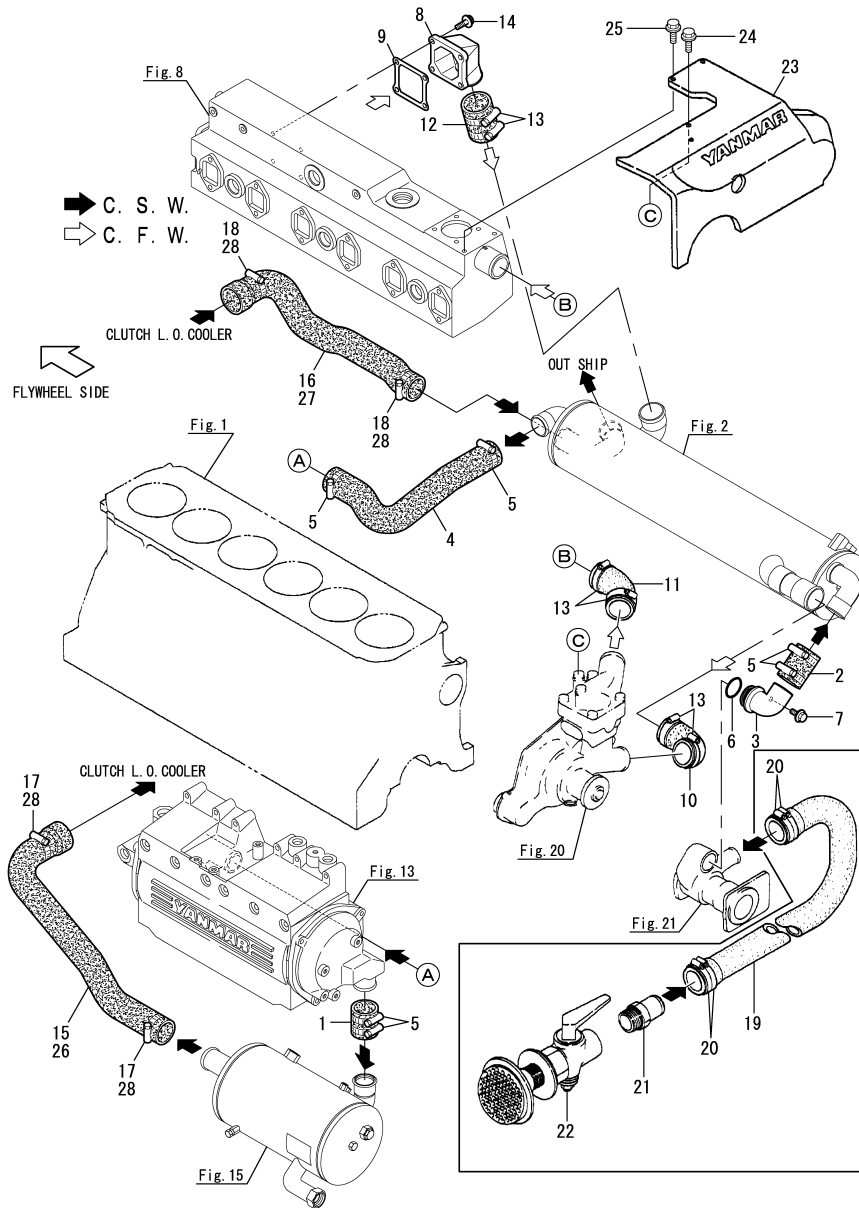
(A)=6LYA-STP  
(B)=6LYA-STE  
(C)=6LYA-UTE

(D)=  
(E)=  
(F)=



No.	Lev.	Parts No.	Description	Q'ty						I	R
				(A)	(B)	(C)	(D)	(E)	(F)		
1	1	119574-44010	COOLER ASSY, WATER		1	1					
1-1	1	119574-44011	COOLER ASSY, WATER (B=FROM 1ST) (C=FROM 1ST)	1	1	1					S
1-2	1	119575-44010 (A=*2001.12)	COOLER ASSY, WATER	1							R
2	2	119574-44150	ZINC, ANTI-CORROSIVE	2	2	2					
3	2	119574-44200	COVER ASSY	1	1	1					
4	2	119574-44190	COVER ASSY	1	1	1					
5	2	119574-44180	BOLT, UNC 3/8	2	2	2					
6	2	119574-44170	GASKET	1	1	1					
6-1	2	119574-44170 (A=*2011.08) (B=*2011.08) (C=*2011.08)	GASKET	2	2	2					K
7	2	119574-44160 (A=*2011.08) (B=*2011.08) (C=*2011.08)	GASKET	1	1	1					Z
8	1	26116-081502	BOLT, M8X150 PLATED	3	3	3					
9	1	720445-44201	TANK ASSY, SUB 3.4L	1	1	1					
11	2	119593-44560	BRACKET	1	1	1					
12	1	124790-44560	PIPE, WATER L=1000	1	1	1					
13	1	23010-013000	CLAMP 13	2	2	2					
14	1	120130-49350	COCK, 1/4		2	2					
14-1	1	119620-49290 (B=E50966) (C=E40622)	COCK ASSY, 1/4	2	2	2					N
15	1	23061-070400	PIPE, 7X 400	2	2	2					
16	1	119574-44050	BRACKET	1	1	1					
16-1	1	119595-44050 (A=*2008.12)	BRACKET, COOLER	1							R
17	1	119574-44600	CLAMP, BOLT	2	2	2					
18	1	119574-44620	SEAT, RUBBER	2	2	2					
18-1	1	119574-44621 (B=E50474) (C=E40348)	SEAT, RUBBER	2	2	2					N
19	1	22137-080000	WASHER, 8	3	3	3					
20	1	26106-080202	BOLT, M8X 20 PLATED	1	1	1					
21	1	119574-44630 (B=FROM 1ST) (C=FROM 1ST)	SEAT, RUBBER	1	1	1					W
22	1	124460-77680 (B=FROM 1ST) (C=FROM 1ST)	RETAINER		1	1					W
22-1	1	124460-77680 (B=E51387) (C=E40739)	RETAINER	2	2	2					K

Fig.23. COOLING WATER PIPE

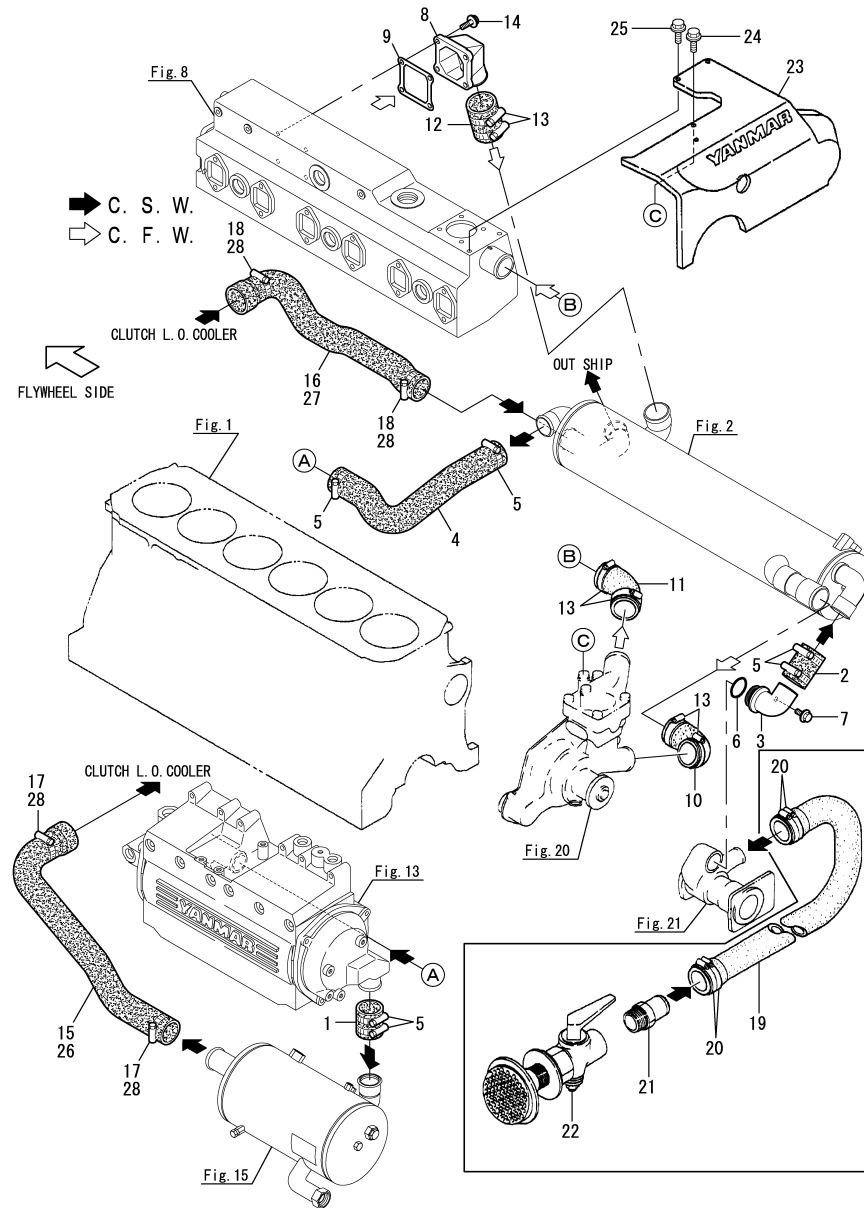


Remarks

- (1)Optional parts.
- (2)For KMH6A.
- (3)For KMH60A.

No.	Lev.	Parts No.	Description	Q'ty						I	R
				(A)	(B)	(C)	(D)	(E)	(F)		
1	1	119574-49050	HOSE, RUBBER	1	1	1					
2	1	119574-49060	HOSE, RUBBER		1	1					
2-1	1	119574-49061	HOSE, RUBBER	1	1	1					S
2-2	1	119595-49060	HOSE, COOLER (B=FROM 1ST) (C=FROM 1ST) (A=*2008.12)	1							R
3	1	119574-49070	BEND	1	1	1					
3-1	1	119595-49070	BEND (A=*2008.12)	1							R
4	1	119574-49080	HOSE	1	1	1					
4-1	1	119595-49080	HOSE, COOLER (A=*2008.12)	1							R
5	1	23000-054000	CLAMP, 54	6	6	6					
5-1	1	119172-48480	CLIP, HOSE 48 (A=*2002.02)	6							N
6	1	24321-000350	O-RING, 1AG35.0	1	1	1					
7	1	26106-080202	BOLT, M8X 20 PLATED	1	1	1					
8	1	119574-49150	BEND	1	1	1					
9	1	119574-49160	GASKET	1	1	1					
10	1	119574-49230	HOSE, RUBBER		1	1					
10-1	1	119574-49231	HOSE, RUBBER	1	1	1					S
11	1	119574-49250	HOSE, RUBBER (B=FROM 1ST) (C=FROM 1ST)	1	1	1					
11-1	1	119593-49250	JOINT, RUBBER 45 (A=*2010.09)	1							R
12	1	119574-49270	HOSE, RUBBER	1	1	1					
13	1	23000-060000	CLAMP, 60	6	6	6					
13-1	1	119172-48540	CLIP, HOSE 54 (A=*2002.02)	6							N
14	1	26106-080252	BOLT, M8X 25 PLATED	4	4	4					
15	1	119574-49700	HOSE	1	1	1					2
16	1	119574-49710	HOSE, RUBBER		1	1					2
16-1	1	119574-49711	HOSE (B=E50303) (C=E40283)	1	1	1					N 2
17	1	23000-054000	CLAMP, 54	2	2	2					2
17-1	1	119172-48480	CLIP, HOSE 48 (A=*2002.02)	2							N 2
18	1	23000-060000	CLAMP, 60	2	2	2					2
18-1	1	119172-48540	CLIP, HOSE 54 (A=*2002.02)	2							N 2
19	1	127610-49010	PIPE, WATER	1	1	1					1
20	1	23000-054000	CLAMP, 54	4	4	4					1
20-1	1	119172-48480	CLIP, HOSE 48 (A=*2002.02)	4							N 1
21	1	43530-500610	JOINT, PIPE 30A	1	1	1					1
22	1	43662-030030	COCK ASSY, KINGSTON	1	1	1					1
22-1	1	43662-030031	COCK ASSY, KINGSTON (A=E00379)	1							R 1
23	1	119593-77460	COVER (B=E51002) (C=E40633)	1	1	1					W
23-1	1	119593-77461	COVER, FRONT	1							N

Fig.23. COOLING WATER PIPE



(A)=6LYA-STP  
(B)=6LYA-STE  
(C)=6LYA-UTE

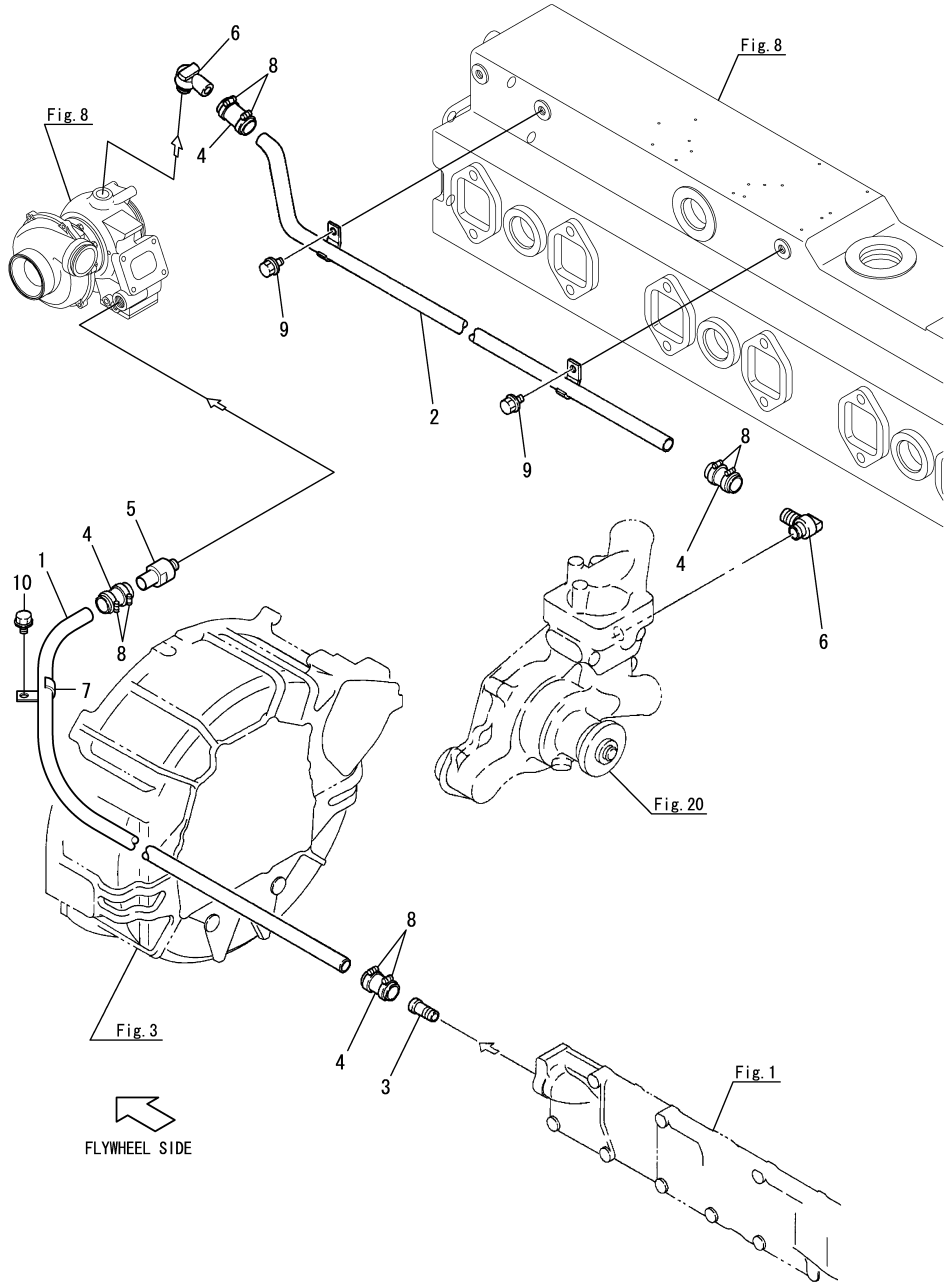
(D)=  
(E)=  
(F)=

No.	Lev.	Parts No.	Description	Q'ty						I	R
				(A)	(B)	(C)	(D)	(E)	(F)		
24	1	26106-080252 (A=E00803) (B=E51002) (C=E40633)	BOLT, M8X 25 PLATED	2	2	2					W
25	1	26106-080302 (B=E51002) (C=E40633)	BOLT, M8X 30 PLATED	2	2	2					W
26	1	119575-49800	HOSE, RUBBER	1							W 3
27	1	119575-49810 (A=*2010.03)	HOSE, RUBBER	1							W 3
28	1	119172-48480 (A=*2010.03)	CLIP, HOSE 48	4							W 3

Remarks

- (1)Optional parts.
- (2)For KMH6A.
- (3)For KMH60A.

Fig.24. COOLING FRESH WATER PIPE(TURBOCHARGER)

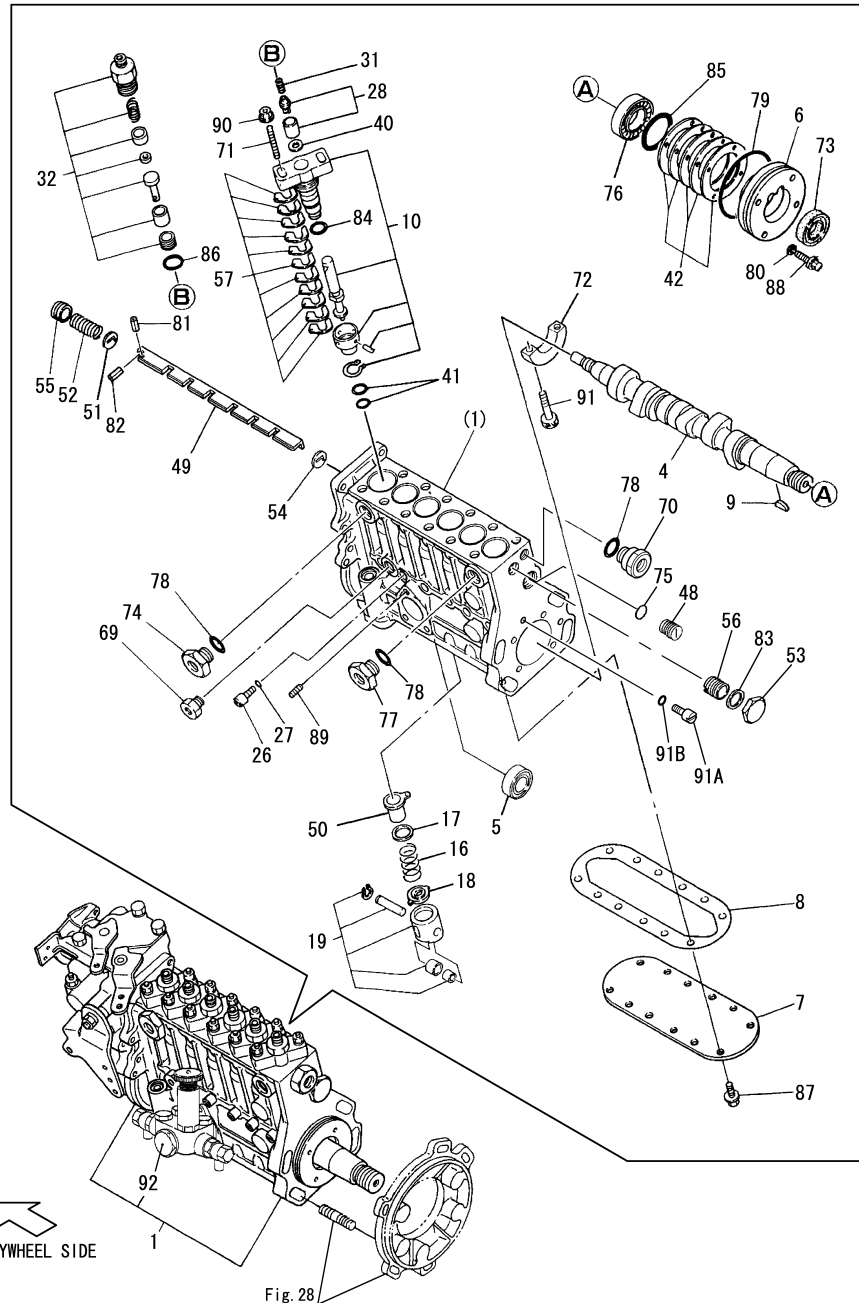


(A)=6LYA-STP  
(B)=6LYA-STE  
(C)=6LYA-UTE

(D)=  
(E)=  
(F)=

No.	Lev.	Parts No.	Description	Q'ty						I	R
				(A)	(B)	(C)	(D)	(E)	(F)		
1	1	119574-49400	PIPE, WATER	1	1	1					
2	1	119574-49420	PIPE, WATER	1	1	1					
3	1	123325-49220	JOINT, PIPE	1	1	1					
3-1	1	120130-49220 (A=*2003.08)	JOINT, PIPE	1							N
4	1	119574-49300	HOSE	4	4	4					
4-1	1	119593-49360 (A=*2008.12)	HOSE, RUBBER	4							R
5	1	119574-49320	JOINT			1	1				
5-1	1	119574-49321 (B=E50191) (C=E40161)	JOINT	1	1	1					R
6	1	119593-49320	JOINT	2	2	2					
7	1	119593-49370	RETAINER, PIPE	1	1	1					
8	1	23000-028000	CLAMP, 28	8	8	8					
8-1	1	119172-48280	CLIP, HOSE 28	8							N
9	1	26106-080162 (A=*2002.02)	BOLT, M8X 16 PLATED	2	2	2					
10	1	26106-080162	BOLT, M8X 16 PLATED	1	1	1					

# Fig.25. FUEL INJECTION PUMP

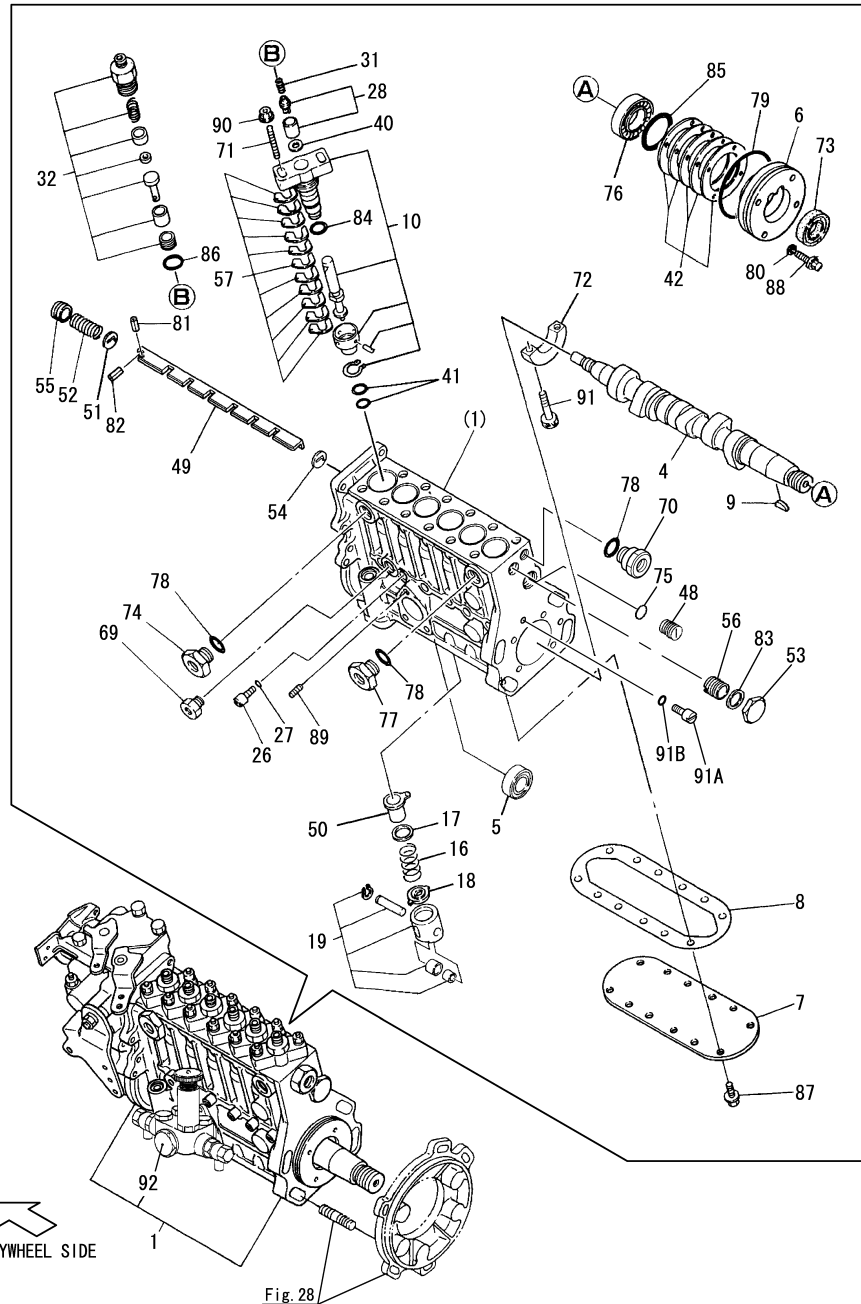


(A)=6LYA-STP  
(B)=6LYA-STE  
(C)=6LYA-UTE

(D)=  
(E)=  
(F)=

No.	Lev.	Parts No.	Description	Qty						I	R		
				(A)	(B)	(C)	(D)	(E)	(F)				
1	1	719573-51303	PUMP ASSY, INJECTION										
1A	1	719574-51311	PUMP ASSY, INJECTION	1	1								
4	3	119593-51030	CAMSHAFT			1							
4A	3	119594-51030	CAMSHAFT				1						
4A-1	3	119595-51030	CAMSHAFT (B=E50256)	1	1								S
5	3	122710-51050	BEARING, HR30203J										
5A	3	124410-51050	BEARING	1	1								
6	3	119000-51060	SUPPORT, BEARING A										
6A	3	119594-51061	SUPPORT, BEARING A										
6A-1	3	119595-51060	RETAINER, BEARING A (B=E50256)	1	1								S
7	3	119593-51080	COVER	1	1	1							
8	3	119593-51090	GASKET	1	1	1							
9	3	144626-51090	KEY, 5X19	1	1	1							
10	3	119593-51100	PLUNGER ASSY										
10A	3	119594-51100	PLUNGER ASSY	6	6								
16	3	119000-51161	SPRING, PLUNGER	6	6	6							
17	3	119000-51170	SEAT, SPRING A	6	6	6							
18	3	119000-51181	SEAT, SPRING B	6	6	6							
19	3	119573-51200	TAPPET ASSY										
19A	3	119594-51200	TAPPET ASSY	6	6								
19A-1	3	119574-51200	TAPPET ASSY (A=E51623) (B=E51386)	6	6								R
19A-2	3	119578-51201	TAPPET ASSY (A=*2005.12)	6									R
24A	4	119594-51240	TAPPET	6	6								
26	3	129155-51270	STOPPER, TAPPET	6	6	6							
26-1	3	158600-51270	STOPPER, TAPPET (A=*2009.09)	6									R
27	3	129155-51280	O-RING, S6	6	6	6							
28	3	119593-51300	VALVE ASSY, DELIVERY										
28A	3	119594-51301	VALVE ASSY, DELIVERY	6	6								
31	3	119000-51330	SPRING, DELIVERY	6	6	6							
32	3	119175-51340	VALVE ASSY, DELIVERY										
32A	3	119594-51341	VALVE ASSY, DELIVERY	6	6								
40	3	122710-51350	GASKET										
40A	3	119594-51290	GASKET	6	6								
41	3	119000-51410	O-RING, S18	12	12	12							
41-1	3	119000-51411	O-RING (A=*2005.11)	12									N
42	3	119000-51450	SHIM SET, CAMSHAFT										
42A	3	119594-51451	SHIM SET, CAMSHAFT	1	1								
48	3	129155-51410	BOLT	2	2								
48-1	3	158600-51410	PLUG, DEFLECTOR	1									R
			(A=*2006.10)										
49	3	119593-51500	RACK, CONTROL	1	1	1							
50	3	119000-51510	SLEEVE, CONTROL										
50-1	3	119000-51511	SLEEVE, CONTROL (B=E50723) (C=E40442)	6	6	6							R
51	3	119593-51520	WASHER	1	1	1							

Fig.25. FUEL INJECTION PUMP

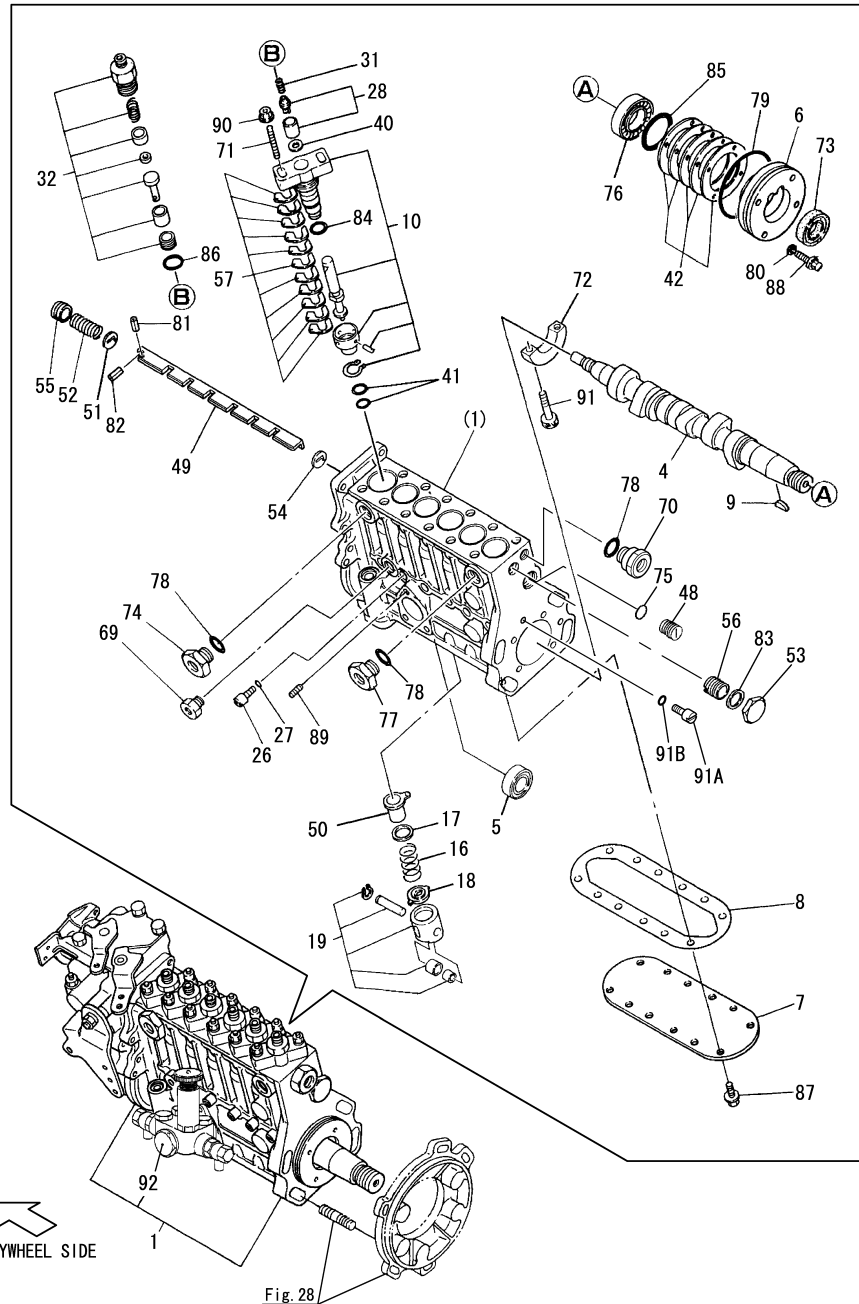


(A)=6LYA-STP  
(B)=6LYA-STE  
(C)=6LYA-UTE

(D)=  
(E)=  
(F)=

No.	Lev.	Parts No.	Description	Qty						I	R
				(A)	(B)	(C)	(D)	(E)	(F)		
52	3	119593-51530	SPRING, RACK	1	1	1					
53	3	119000-51550	COVER	1	1	1					
54	3	119000-51570	GUIDE, RACK	2	2	2					
55	3	119000-51580	SCREW	1	1	1					
56	3	119000-51590	SCREW	1	1	1					
57	3	119000-51650	SHIM SET, ADJUSTING	12	12	12					
69	3	121850-51700	BUSH	1	1	1					
70	3	152623-51720	PLUG								
71	3	119000-51800	BOLT	12	12	12					
72	3	119593-51850	BEARING								1
72A	3	119594-51850	BEARING	1	1						
73	3	119000-51900	SEAL, AC1290E0			1	1				
73-1	3	119595-51070	SEAL, OIL	1	1						S
			(B=E50256)								
74	3	121952-51900	PLUG	1	1	1					
75	3	24341-000160	O-RING, 1AS16.0	2	2						
75-1	3	119717-51420	O-RING	2							N
			(A=*2005.11)								
76	3	119000-51050	BEARING, HR32005XJ								1
76A	3	24142-322050	BEARING, 32205H			1					
76A-1	3	119595-51050	BEARING	1	1						S
			(B=E50256)								
77	3	121952-51900	PLUG	1	1	1					
78	3	144626-51950	O-RING, 1016	2	2	3					
78-1	3	24356-190160	O-RING, 4D19016	2							N
			(A=*2005.11)								
79	3	124410-51960	O-RING								1
79A	3	24321-000800	O-RING, 1AG80.0	1	1						
80	3	22190-060000	WASHER, SEAL 6			4	4				
80-1	3	22190-060003	SEAL WASER 6	4	4						N
			(B=E50753)								
81	3	22351-020008	PIN, SPRING 2.0X 8	1	1	1					
82	3	22351-020012	PIN, SPRING 2.0X12	1	1	1					
83	3	23414-220029	GASKET, 22X1.0	1	1	1					
84	3	24341-000260	O-RING, 1AS26.0	6	6	6					
84-1	3	158563-51662	O-RING, 4D S26	6							N
			(A=*2005.11)								
85	3	24341-000500	O-RING, 1AS50.0								1
85A	3	24341-000560	O-RING, 1AS56.0	1	1						
86	3	24352-010160	O-RING								6
86A	3	144626-51680	O-RING	6	6						
86A-1	3	24356-190180	O-RING, 4D19018	6							N
			(A=*2005.11)								
86A-2	3	24356-190170	PACKING, 19017	6							N
			(A=*2013.02)								
87	3	26106-060122	BOLT, M6X 12 PLATED			12	12				
87-1	3	26106-060142	BOLT, M6X 14 PLATED			12	12				N
			(B=E50753)								
88	3	26106-060302	BOLT, M6X 30 PLATED				4				
88-1	3	119594-51070	BOLT, M6X30			4	4				N
			(B=E50474)								

# Fig.25. FUEL INJECTION PUMP

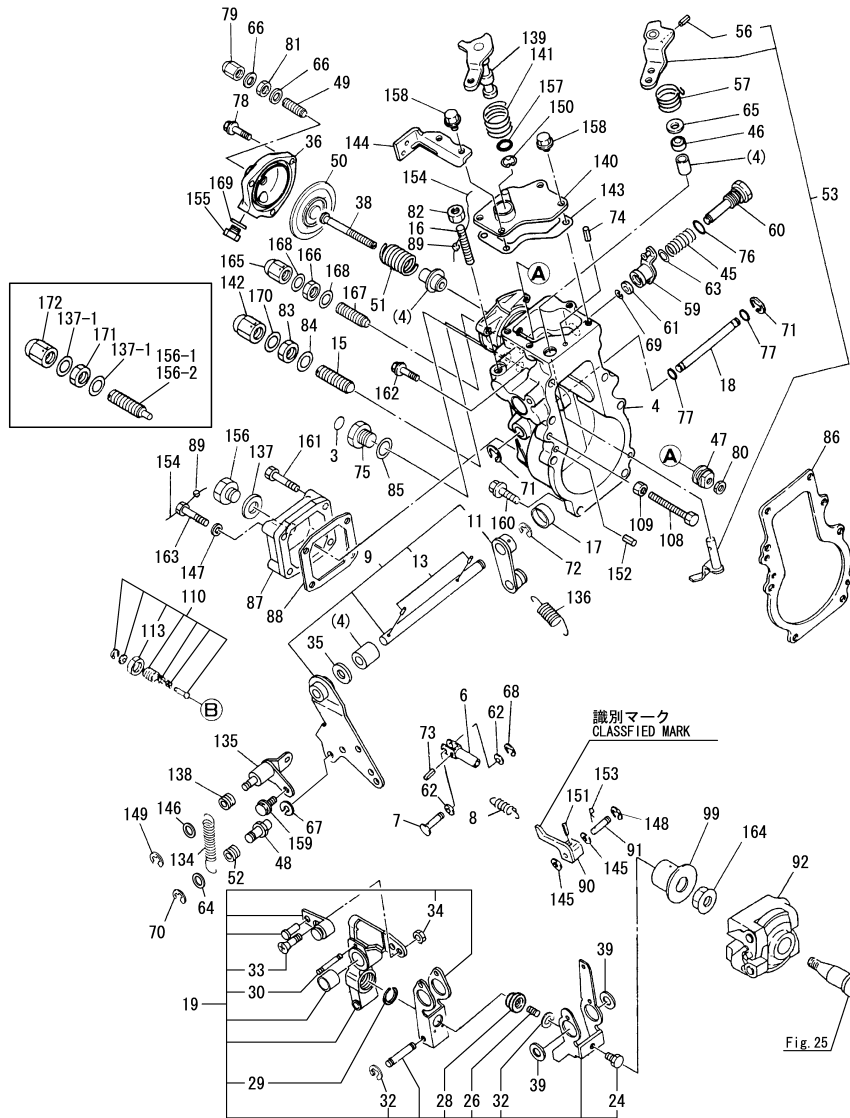


(A)=6LYA-STP  
(B)=6LYA-STE  
(C)=6LYA-UTE

(D)=  
(E)=  
(F)=

No.	Lev.	Parts No.	Description	Qty						I	R	
				(A)	(B)	(C)	(D)	(E)	(F)			
88A	3	26106-060202	BOLT, M6X 20 PLATED									
88A-1	3	119175-51070	BOLT, M6X20 (C=*1997.11)					4				N
89	3	26216-060162	STUD, M6X 16	3	3	3						
89-1	3	129155-51020	STUD (A=*2011.11)	3								N
90	3	26366-080002	NUT, M8	12	12	12						
90-1	3	26306-080002	NUT, M8 (A=E51655) (B=E51386) (C=E40890)	12	12	12						N
91	3	26450-060402	BOLT, M6X 40	2	2	2						
91A	3	129155-51270	STOPPER, TAPPET	2	2							
91A-1	3	119578-51400	PLUG 8 (A=*2007.09)	1								S
91B	3	129155-51280	O-RING, S6	2	2							
91B-1	3	24311-00090	O-RING, 1AP9.0	1								S
92	2	127691-52010	PUMP, FUEL FEED (A=*2007.09)	1	1	1						

Fig.26. GOVERNOR



Remarks

- (1)Pitch 51
- (2)Pitch 52
- (3)Pitch 53
- (4)Pitch 51.5
- (5)Pitch 52.5
- (6)Pitch 53.5

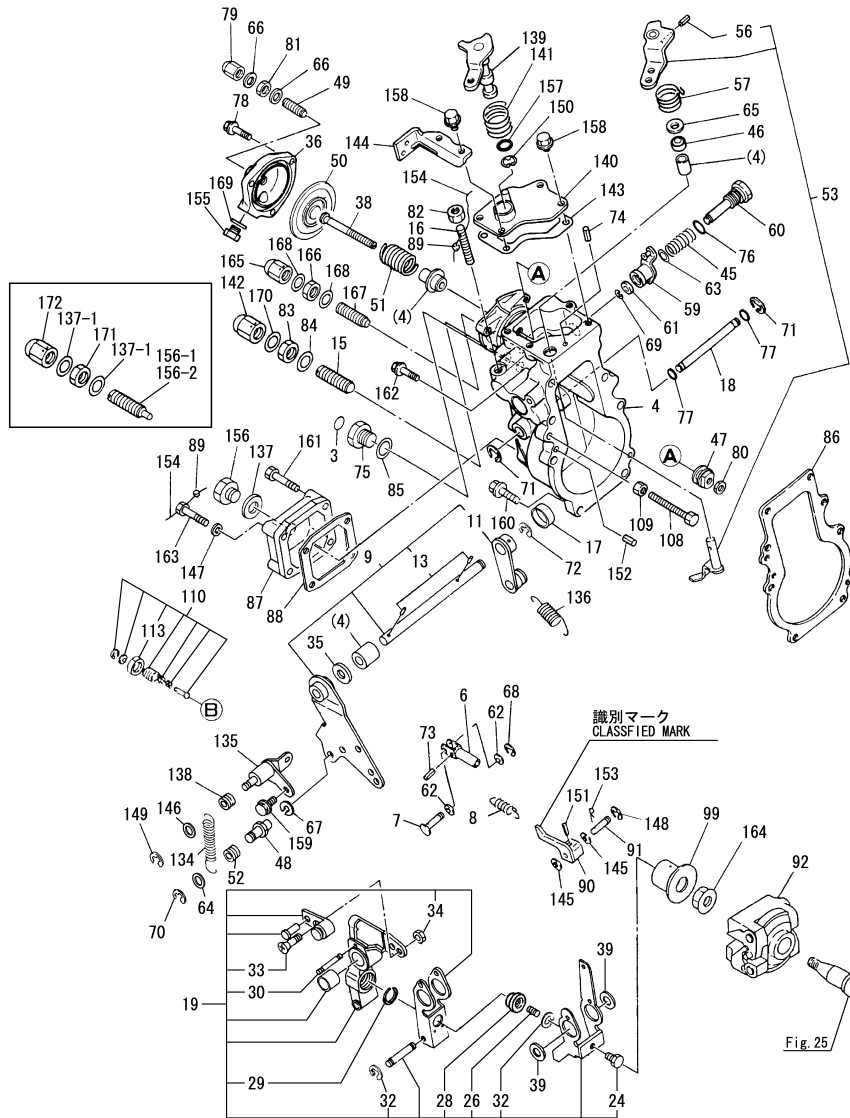
(A)=6LYA-STP  
(B)=6LYA-STE  
(C)=6LYA-UTE

(D)=  
(E)=  
(F)=

No.	Lev.	Parts No.	Description	Q'ty						I	R
				(A)	(B)	(C)	(D)	(E)	(F)		
3	3	124610-51970	LABEL	1	1	1					
4	3	119573-61010	CASE, GOVERNOR	1	1	1					
4-1	3	119573-61030	CASE, GOVERNOR	1	1	1					R
5C	4	120323-61430	BUSH	2	2	2					
5D	4	129595-61610	BUSH	1	1	1					
5E	4	127695-61840	BUSH	1	1	1					
6	3	119000-61120	LINK	1	1	1					
7	3	119000-61170	PIN, LINK	1	1	1					
7-1	3	119595-61170	PIN, LINK	1	1	1					N
8	3	119187-61190	SPRING	1	1	1					
9	3	119173-61400	LEVER ASSY, CONTROL	1	1	1					
11	4	120323-61420	LEVER, GOVERNOR	1	1	1					
13	4	22322-030220	PIN, TAPER 3X22	2	2	2					
15	3	127695-61450	BOLT, CONTROL	1	1	1					
16	3	121850-61470	BOLT, LIMITER	1	1	1					
17	3	129795-61470	PLUG, 20	1	1	1					
18	3	119000-61490	SHAFT	1	1	1					
19	3	119174-61500	LEVER ASSY, GOVERNOR								1
19A	3	119594-61500	LEVER ASSY, GOVERNOR	1	1	1					
24	4	127495-61540	SHIFTER	1	1	1					
26	4	120130-61600	SPRING, FUEL CONTROL								1
26A	4	119594-61600	SPRING, FUEL CONTROL	1	1	1					
28	4	119187-61911	RETAINER, SPRING	1	1	1					
29	4	119187-61920	CIRCLIP	1	1	1					
30	4	119187-61930	PIN	1	1	1					
32	4	22272-000040	RING, E- 4	5	5	5					
33	4	26577-060162	SCREW, M6X16	1	1	1					
34	4	26757-060002	NUT, LOCK M6	1	1	1					
34-1	4	26716-060002	NUT, M6	1	1	1					R
35	3	120320-61540	SEAL, SC102004	1	1	1					
36	3	129595-61600	CASE	1	1	1					
38	3	129595-61620	ROD, SLIDER	1	1	1					
39	3	119000-61630	SHIM SET	1	1	1					
45	3	119593-61650	SPRING	1	1	1					
46	3	148616-61650	SEAL, VC081404	1	1	1					
47	3	127495-61660	RING	1	1	1					
48	3	121850-61670	BOLT	1	1	1					
49	3	129595-61670	BOLT, ADJUSTER	1	1	1					
49-1	3	129595-61671	BOLT, ADJUSTING	1							N
50	3	129595-61680	DIAPHRAGM	1	1	1					
50-1	3	129595-61681	DIAPHRAGM ASSY	1							N
51	3	119593-61760	SPRING, DIAPHRAGM	1	1	1					
52	3	144626-61781	PIECE	1	1	1					
53	3	119593-61800	LEVER ASSY, STOP	1	1	1					
56	4	22351-030016	PIN, SPRING 3.0X16	1	1	1					
57	3	119593-61830	SPRING, RETURN	1	1	1					



Fig.26. GOVERNOR



Remarks

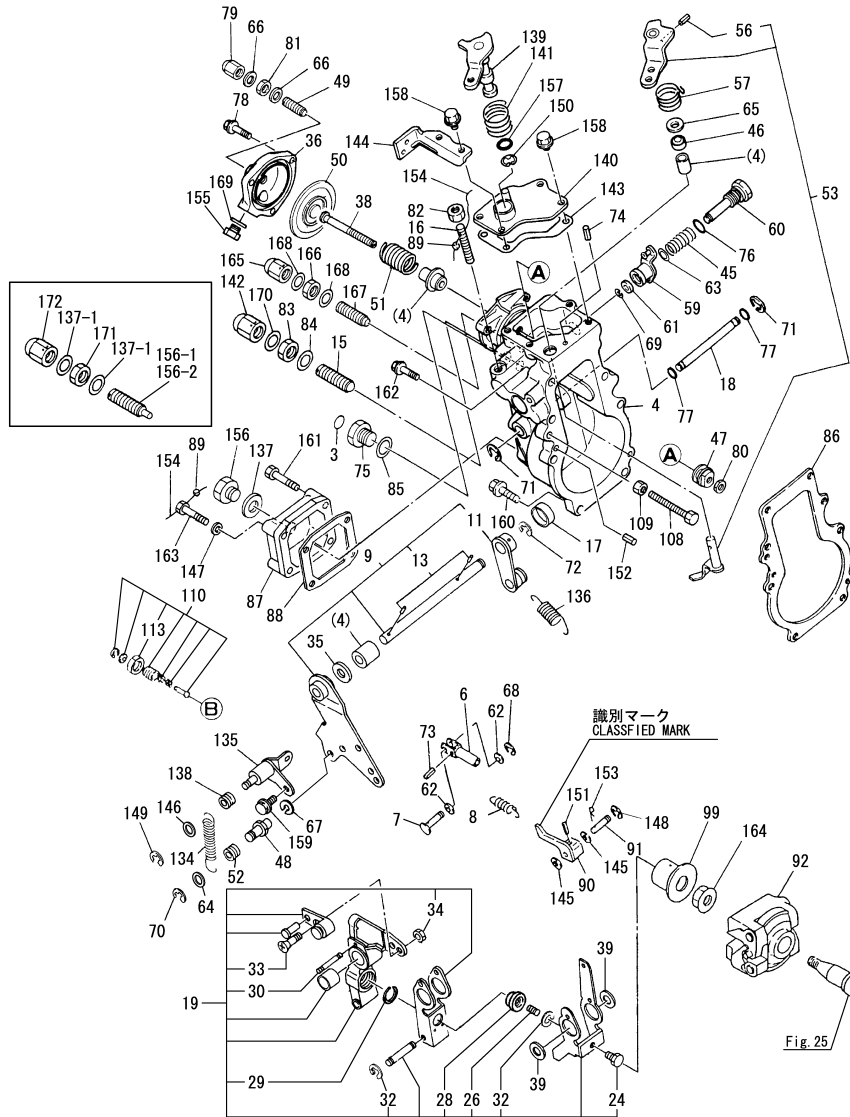
- (1)Pitch 51
- (2)Pitch 52
- (3)Pitch 53
- (4)Pitch 51.5
- (5)Pitch 52.5
- (6)Pitch 53.5

(A)=6LYA-STP  
(B)=6LYA-STE  
(C)=6LYA-UTE

(D)=  
(E)=  
(F)=

No.	Lev.	Parts No.	Description	Q'ty						I	R
				(A)	(B)	(C)	(D)	(E)	(F)		
59	3	119593-61850	LEVER							1	
59A	3	119594-61850	LEVER								
60	3	119593-61860	SHAFT	1	1	1					
61	3	119593-61890	SPACER	1	1	1					
62	3	22117-050000	WASHER, 5	2	2	2					
63	3	22117-080000	WASHER, 8	1	1	1					
64	3	22117-080000	WASHER, 8	1	1	1					
65	3	22137-080000	WASHER, 8	1	1	1					
66	3	22190-080000	WASHER, SEAL 8	2	2	2					
67	3	22217-080000	WASHER, SPRING 8	1	1	1					
68	3	22272-000040	RING, E- 4	1	1	1					
69	3	22272-000060	RING, E- 6	1	1	1					
70	3	22272-000060	RING, E- 6	1	1	1					
71	3	22272-000080	RING, E- 8	2	2	2					
72	3	22272-000080	RING, E- 8	1	1	1					
73	3	22351-030016	PIN, SPRING 3.0X16	1	1	1					
74	3	22492-060362	PIN, B6X36	1	1	1					
75	3	23887-160002	PLUG, 16	1	1	1					
76	3	24311-000120	O-RING, 1AP12.0	1	1	1					
77	3	24341-000080	O-RING, 1AS8.0	2	2	2					
78	3	26106-060182	BOLT, M6X 18 PLATED	3	3	3					
79	3	26667-080002	NUT, CAP M8	1	1	1					
80	3	26756-060002	NUT, LOCK M6	1	1	1					
80-1	3	26716-060002	NUT, M6	1							R
(A=*2005.04)											
81	3	26756-080002	NUT, LOCK M8	1	1	1					
82	3	26756-080002	NUT, LOCK M8	1	1	1					
83	3	26777-120002	NUT, LOCK M12	1	1	1					
84	3	22190-120002	WASHER, SEAL 12	1	1	1					
85	3	22190-160002	WASHER, SEAL 16	1	1	1					
86	2	119000-61051	GASKET		1	1					
86-1	2	119000-61052	GASKET	1	1	1					R
(B=E50753) (C=*1998.11)											
87	2	119187-61071	COVER, GOVERNOR CASE	1	1	1					
88	2	127695-61071	GASKET	1	1	1					
89	2	135210-61090	LEAD	3	3	3					
89-1	2	114780-61090	TIN	3							N
(A=*2008.10)											
90	2	119593-61100	LINK	1	1	1					1
90A	2	119593-61110	LINK	1	1	1					2
90B	2	119593-61120	LINK	1	1	1					3
90C	2	119593-61130	LINK, 10.5	1	1	1					4
90D	2	119593-61140	LINK, 11.5	1	1	1					5
90E	2	119593-61150	LINK, 12.5	1	1	1					6
91	2	119000-61180	PIN, LINK	1	1	1					
92	2	119173-61200	WEIGHT ASSY,GOVERNOR	1	1	1					
99	2	119187-61300	SLEEVE ASSY	1	1	1					
108	2	171353-61460	BOLT, IDLE	1	1	1					
109	2	119000-61470	NUT, M6	1	1	1					
110	2	119573-61551	ANGLEICH ASSY						1		
110A	2	120324-61551	ANGLEICH ASSY	1	1						

Fig.26. GOVERNOR



Remarks

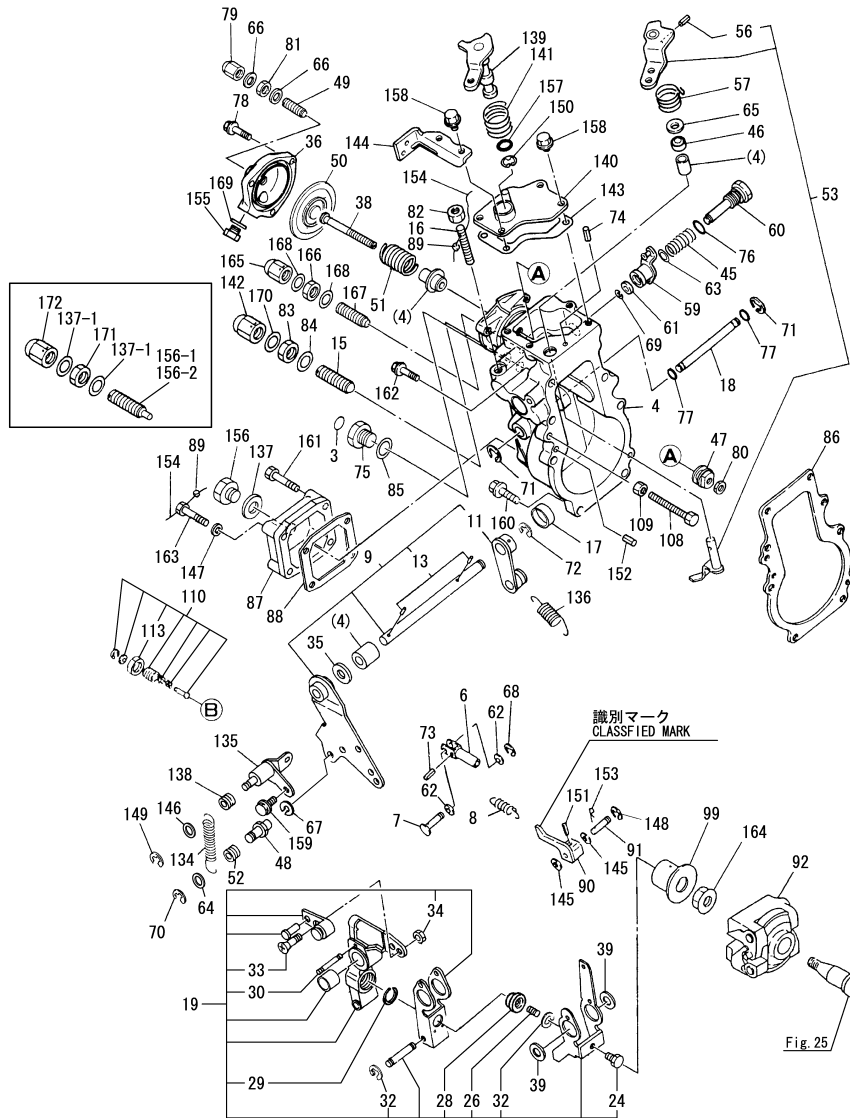
- (1)Pitch 51
- (2)Pitch 52
- (3)Pitch 53
- (4)Pitch 51.5
- (5)Pitch 52.5
- (6)Pitch 53.5

(A)=6LYA-STP  
(B)=6LYA-STE  
(C)=6LYA-UTE

(D)=  
(E)=  
(F)=

No.	Lev.	Parts No.	Description	Q'ty						I	R
				(A)	(B)	(C)	(D)	(E)	(F)		
113	3	124616-61580	NUT, LOCK	1	1	1					
134	2	119173-61650	SPRING		1	1					
134-1	2	119173-61651	SPRING	1	1	1					N
			(B=FROM 1ST) (C=FROM 1ST)								
135	2	119173-61660	SUPPORT, SPRING	1	1	1					
136	2	119588-61700	SPRING, GOVERNOR	1	1	1					
136-1	2	119594-61700	SPRING, GOVERNOR	1	1	1					N
			(A=*2001.07) (B=E51386) (C=E40954)								
137	2	22190-120002	WASHER, SEAL 12	1	1	1					
137-1	2	22190-120002	WASHER, SEAL 12	2	2	2					K
			(A=*2001.01) (B=*2001.01) (C=*2001.01)								
138	2	144626-61781	PIECE	1	1	1					
139	2	119593-61900	LEVER	1	1	1					
140	2	119593-61910	COVER	1	1	1					
141	2	119593-61920	SPRING, RETURN	1	1	1					
142	2	129100-61930	NUT, CAP	1	1	1					
143	2	127695-61961	GASKET	1	1	1					
144	2	119593-61990	SUPPORT, WIRE	1	1	1					
145	2	22117-050000	WASHER, 5	2	2	2					
146	2	22117-080000	WASHER, 8	1	1	1					
147	2	22217-060000	WASHER, SPRING 6	1	1	1					
148	2	22272-000040	RING, E- 4	1	1	1					
149	2	22272-000060	RING, E- 6	1	1	1					
149-1	2	22276-000060	RING, E- 6	1							R
			(A=*2010.03)								
150	2	22272-000100	RING, E-10	1	1	1					
150-1	2	22276-000100	RING, E-10	1							R
			(A=*2010.03)								
151	2	22351-030025	PIN, SPRING 3.0X25	1	1	1					
152	2	22351-050020	PIN, SPRING 5.0X20	2	2	2					
153	2	22372-050000	PIN, SNAP 5	1	1	1					
154	2	22453-060000	WIRE, 0.6	3	3	3					
154-1	2	120325-61100	WIRE, 1.0	3							N
			(A=*2002.01)								
155	2	23887-100002	PLUG, 10	1	1	1					
156	2	23887-120002	PLUG, 12	1	1	1					
156-1	2	127695-61550	IDLE ASSY	1	1	1					N
			(A=*2001.01) (B=*2001.01) (C=*2001.01)								
156-2	2	127695-61551	IDLE ASSY	1							R
			(A=*2007.07)								
157	2	24311-000110	O-RING, 1AP11.0	1	1	1					
158	2	26106-060122	BOLT, M6X 12 PLATED	4	4	4					
159	2	26106-060122	BOLT, M6X 12 PLATED	1	1	1					
160	2	26106-060222	BOLT, M6X 22 PLATED	6	6	6					
161	2	26106-060302	BOLT, M6X 30 PLATED	3	3	3					
162	2	26106-060402	BOLT, M6X 40 PLATED	1	1	1					
163	2	26116-060302	BOLT, M6X 30 PLATED		1	1					
163-1	2	26116-060306	BOLT, M6X 30 PLATED	1	1	1					N
			(B=E50966) (C=E40622)								
164	2	26376-120002	NUT, M12	1	1	1					
165	2	26667-080002	NUT, CAP M8	1	1	1					

Fig.26. GOVERNOR



(A)=6LYA-STP  
(B)=6LYA-STE  
(C)=6LYA-UTE

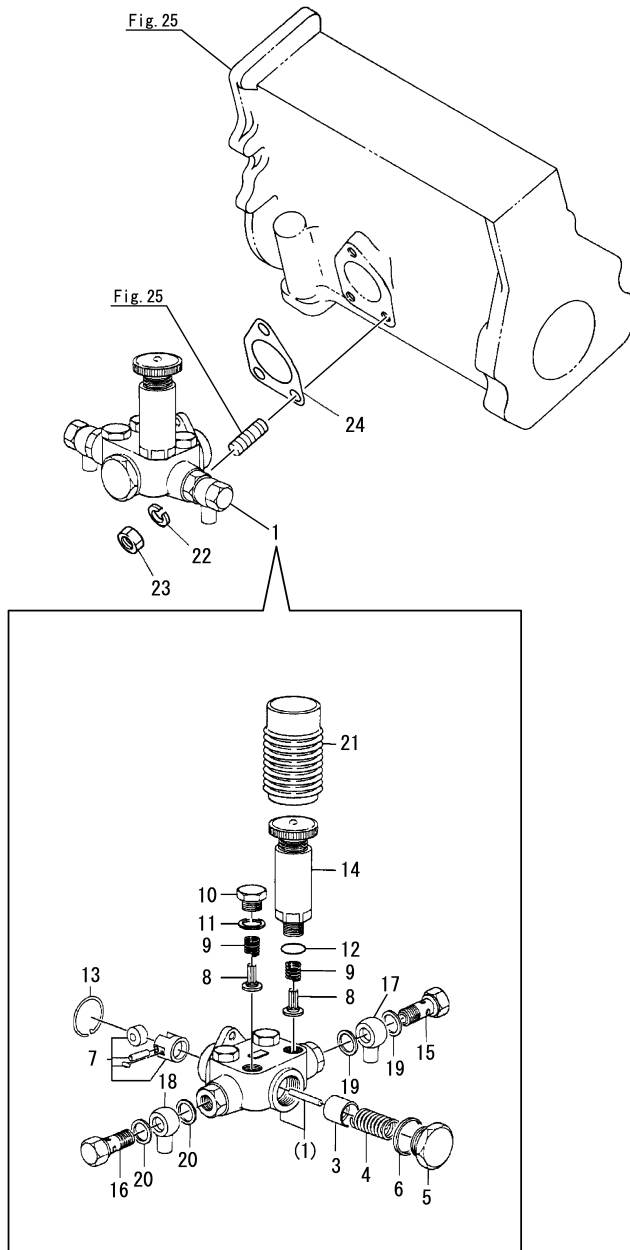
(D)=  
(E)=  
(F)=

No.	Lev.	Parts No.	Description	Q'ty						I	R
				(A)	(B)	(C)	(D)	(E)	(F)		
165-1	2	26667-080002 (A=*2005.04)	NUT, CAP M8	1							Z
166	2	26756-080002	NUT, LOCK M8	1	1	1					Z
166-1	2	26756-080002 (A=*2005.04)	NUT, LOCK M8	1							Z
167	2	26911-080402	SCREW, M8X40	1	1	1					
167-1	2	26106-080122 (A=*2005.04)	BOLT, M8X 12 PLATED	1							R
168	2	22190-080002	WASHER, SEAL 8	2	2	2					
169	2	22190-100002	WASHER, SEAL 10	1	1	1					
170	2	22190-120002	WASHER, SEAL 12	1	1	1					
171	2	26777-120002	NUT, LOCK M12	1	1	1					W
172	2	129100-61930 (B=*2001.01) (C=*2001.01)	NUT, CAP	1	1	1					W

Remarks

- (1)Pitch 51
- (2)Pitch 52
- (3)Pitch 53
- (4)Pitch 51.5
- (5)Pitch 52.5
- (6)Pitch 53.5

Fig.27. FUEL FEED PUMP

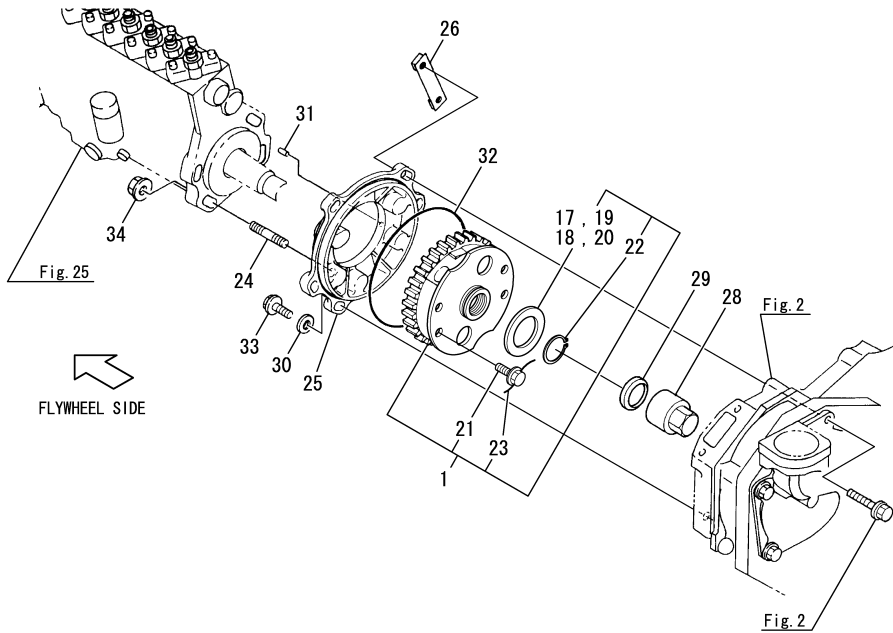


(A)=6LYA-STP  
(B)=6LYA-STE  
(C)=6LYA-UTE

(D)=  
(E)=  
(F)=

No.	Lev.	Parts No.	Description	Q'ty						I	R
				(A)	(B)	(C)	(D)	(E)	(F)		
1	1	127691-52010	PUMP, FUEL FEED	1	1	1					
3	2	X1521001120	PISTON	1	1	1					
4	2	X1521021300	SPRING, PISTON	1	1	1					
5	2	X1521051500	PLUG	1	1	1					
6	2	X0293326030	GASKET	1	1	1					
7	2	X1521114020	TAPPET	1	1	1					
8	2	X1521150500	VALVE	4	4	4					
9	2	X1521160200	SPRING	4	4	4					
10	2	X1521170100	PLUG	3	3	3					
11	2	X0293316030	GASKET	3	3	3					
12	2	X0296316060	O-RING	1	1	1					
13	2	X1521210400	RING, SNAP	1	1	1					
14	2	X1522006720	PRIMING PUMP	1	1	1					
15	2	X1523005920	BOLT	1	1	1					
16	2	X0297314680	EYE BOLT	1	1	1					
17	2	X0271141040	JOINT	1	1	1					
18	2	X0271141040	JOINT	1	1	1					
19	2	X0293314230	GASKET	2	2	2					
20	2	X0293314230	GASKET	2	2	2					
21	2	X1523200100	COVER	1	1	1					
22	1	22217-060000	WASHER, SPRING 6	3	3	3					
23	1	26716-060002	NUT, M6	3	3	3					
24	1	124410-51861	GASKET	1	1	1					

Fig.28. TIMER

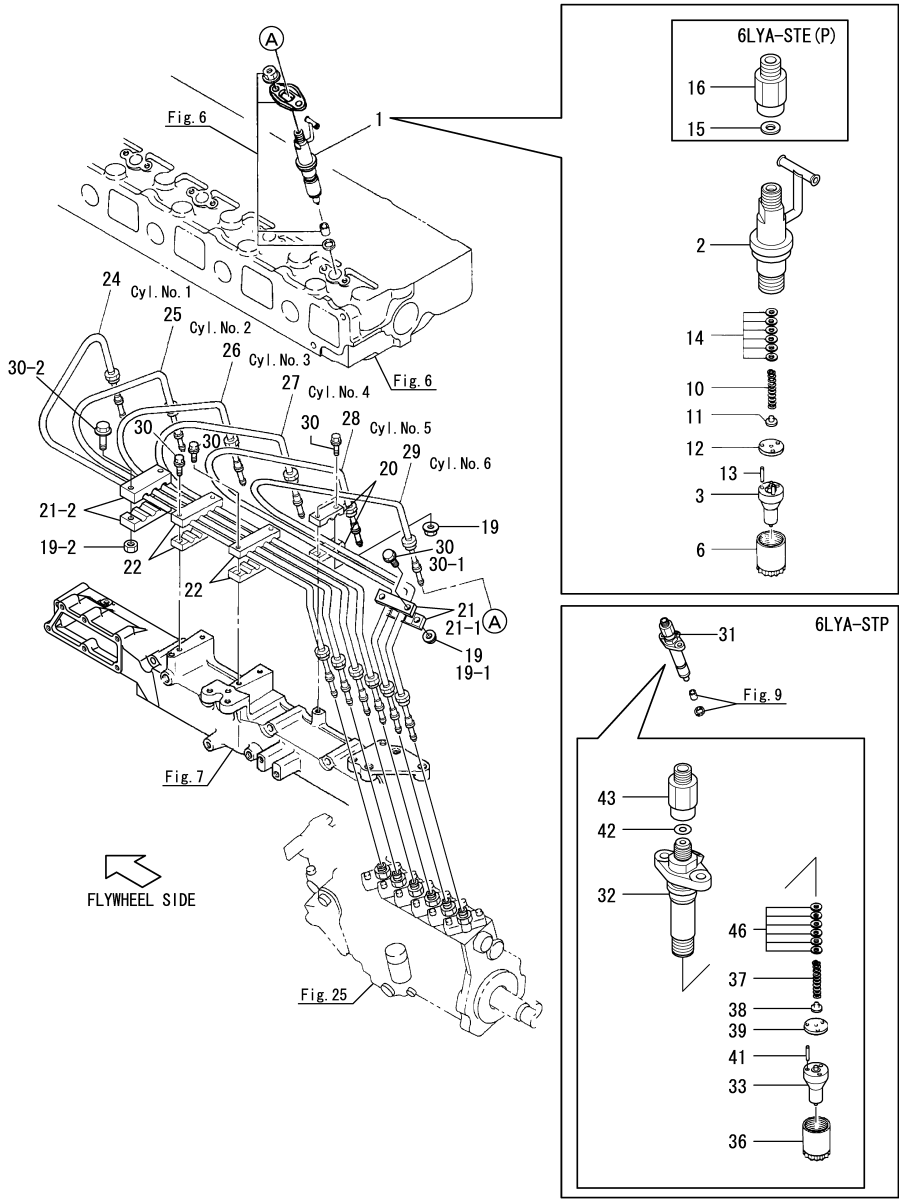


(A)=6LYA-STP  
(B)=6LYA-STE  
(C)=6LYA-UTE

(D)=  
(E)=  
(F)=

No.	Lev.	Parts No.	Description	Q'ty						I	R		
				(A)	(B)	(C)	(D)	(E)	(F)				
1	1	719593-54800	TIMER ASSY										
1A	1	719594-54800	TIMER ASSY	1	1								
1A-1	1	719574-54800	TIMER ASSY	1									S
		(A=*2002.07)											
1A-2	1	719574-54101	TIMER ASSY	1									N
		(A=*2003.11)											
1A-3	1	719574-54200	TIMER ASSY	1									N
		(A=*2004.01)											
17	2	119192-54860	SPACER, T=2.95	1	1	1							
18	2	119192-54870	SPACER, T=3.06	1	1	1							
19	2	119192-54880	SPACER, T=3.18	1	1	1							
20	2	119192-54890	SPACER, T=3.30	1	1	1							
21	2	119192-54910	BOLT										4
21A	2	119594-54910	BOLT	4	4								
21A-1	2	119595-54910	BOLT	4									R
		(A=*2003.11)											
22	2	22242-000400	RING, 40	1	1	1							
23	2	22451-100000	WIRE, 1.0	2	2	2							
23-1	2	22451-100000	WIRE, 1.0	2									Z
		(A=*2003.11)											
24	1	121850-01900	STUD, SB10X32	4	4	4							
24-1	1	26226-100322	STUD, M10X 32	4									N
		(A=*2003.04)											
25	1	119593-25910	BRACKET, PUMP										1
25A	1	119594-25911	BRACKET, PUMP	1	1								
26	1	119000-25920	RETAINER	1	1	1							
28	1	144606-54900	NUT, CAP	1	1	1							
29	1	144606-54910	WASHER	1	1	1							
30	1	106100-55800	WASHER	3	3	3							
31	1	22351-050012	PIN, SPRING 5.0X12	1	1	1							
32	1	24341-001350	O-RING, 1AS135.0	1	1	1							
33	1	26106-080252	BOLT, M8X 25 PLATED	3	3	3							
34	1	26366-100002	NUT, M10	4	4	4							
34-1	1	26306-100002	NUT, M10	4	4	4							N
		(A=E51655) (B=E51386) (C=E40890)											

Fig.29. FUEL INJECTION VALVE & FUEL INJECTION PIPE



(A)=6LYA-STP  
(B)=6LYA-STE  
(C)=6LYA-UTE

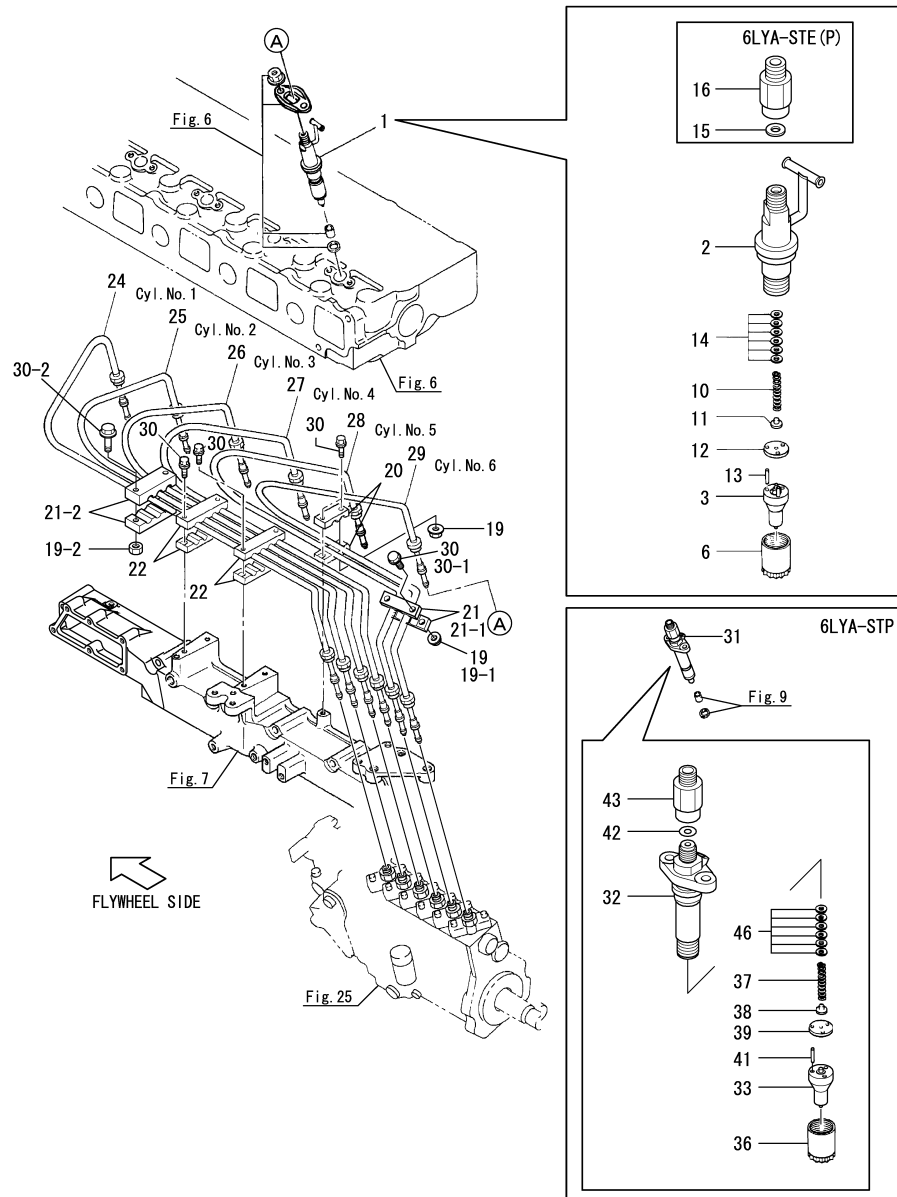
(D)=  
(E)=  
(F)=

No.	Lev.	Parts No.	Description	Q'ty						I	R	
				(A)	(B)	(C)	(D)	(E)	(F)			
1	1	719573-53100	VALVE ASSY,INJECTION									
1A	1	719574-53101	VALVE ASSY,INJECTION	6	6							
1A-1	1	719574-53101	VALVE ASSY,INJECTION	6							Z	1
(A=*2002.07)												
2	2	129470-11920	GASKET	6	6	6						
3	2	119195-53000	NOZZLE ASSY				6					
3A	2	119175-53000	VALVE ASSY,INJECTION	6	6							
6	2	119593-53080	NUT, NOZZLE	6	6	6						
10	2	119593-53120	SPRING, NOZZLE	6	6	6						
11	2	119593-53130	SEAT, SPRING	6	6	6						
12	2	119593-53140	PLATE	6	6	6						
13	2	114250-53210	PIN	12	12	12						
14	2	114250-53400	SHIM SET	6	6	6						
15	2	119594-53290	GASKET	6	6							
16	2	119594-53301	CONNECTOR	6	6							
19	1	26366-060002	NUT, M6		6	6						
19-1	1	26366-060002	NUT, M6	4	4	4						K
(B=FROM 1ST) (C=FROM 1ST)												
19-2	1	26366-060002	NUT, M6	5	5	5						K
(A=*2011.11) (B=*2011.11) (C=*2011.11)												
20	1	122780-59100	RETAINER	2	2	2						
21	1	123372-59100	RETAINER, PIPE		4	4						
21-1	1	123372-59100	RETAINER, PIPE	2	2	2						K
(B=FROM 1ST) (C=FROM 1ST)												
21-2	1	123372-59100	RETAINER, PIPE	4	4	4						K
(A=*2011.11) (B=*2011.11) (C=*2011.11)												
22	1	123472-59120	RETAINER, PIPE	4	4	4						
24	2	119573-59710	PIPE ASSY, INJECTION									1
24A	2	119574-59710	PIPE ASSY, INJECTION	1	1							
25	2	119573-59720	PIPE ASSY, INJECTION									1
25A	2	119574-59720	PIPE ASSY, INJECTION	1	1							
26	2	119573-59730	PIPE ASSY, INJECTION									1
26A	2	119574-59730	PIPE ASSY, INJECTION	1	1							
27	2	119573-59740	PIPE ASSY, INJECTION									1
27A	2	119574-59740	PIPE ASSY, INJECTION	1	1							
28	2	119573-59750	PIPE ASSY, INJECTION									1
28A	2	119574-59750	PIPE ASSY, INJECTION	1	1							
29	2	119573-59760	PIPE ASSY, INJECTION									1
29A	2	119574-59760	PIPE ASSY, INJECTION	1	1							
30	1	26106-060202	BOLT, M6X 20 PLATED		10	10						
30-1	1	26106-060202	BOLT, M6X 20 PLATED	8	8	8						K
(B=FROM 1ST) (C=FROM 1ST)												
30-2	1	26106-060202	BOLT, M6X 20 PLATED	10	10	10						K
(A=*2011.11) (B=*2011.11) (C=*2011.11)												
31	1	719574-53200	VALVE ASSY,INJECTION	6								W
(A=*2002.07)												
32	2	129470-11920	GASKET	6								
33	2	119574-53050	VALVE ASSY,INJECTION	6								
36	2	114250-53080	NUT, NOZZLE D16.95	6								
37	2	119593-53120	SPRING, NOZZLE	6								
38	2	114250-53130	SEAT, SPRING	6								

Remarks

(1)Interchangeability is (S) with No.31.

Fig.29. FUEL INJECTION VALVE & FUEL INJECTION PIPE



(A)=6LYA-STP  
(B)=6LYA-STE  
(C)=6LYA-UTE

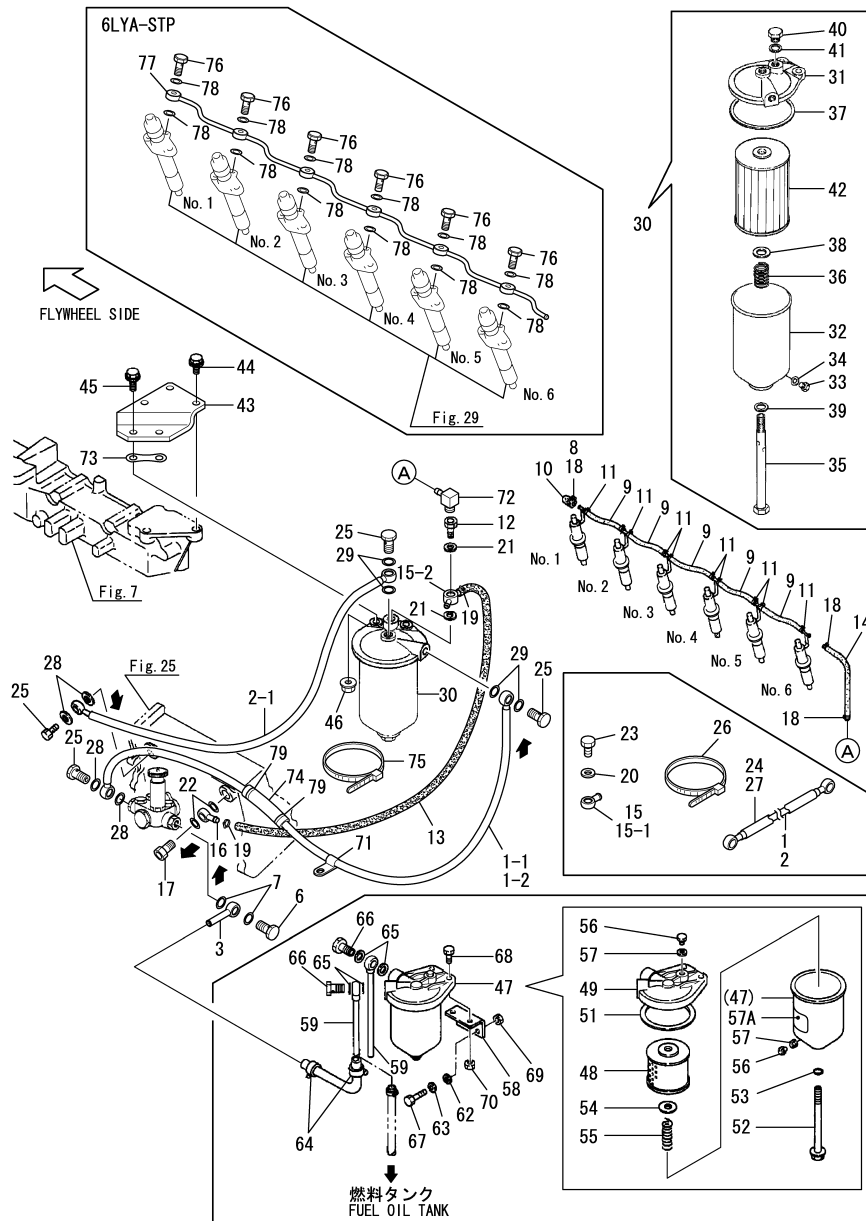
(D)=  
(E)=  
(F)=

No.	Lev.	Parts No.	Description	Q'ty						I	R
				(A)	(B)	(C)	(D)	(E)	(F)		
39	2	114250-53140	PLATE	6							
41	2	114250-53210	PIN	12							
42	2	119594-53290	GASKET	6							
43	2	119594-53301	CONNECTOR	6							
46	2	114250-53400	SHIM SET	6							
46-1	2	119803-53400	SHIM SET	6							R

(A=\*2012.05)

Remarks  
(1)Interchangeability is (S) with No.31.

Fig.30. FUEL PIPE & FUEL STRAINER



(A)=6LYA-STP  
(B)=6LYA-STE  
(C)=6LYA-UTE

(D)=  
(E)=  
(F)=

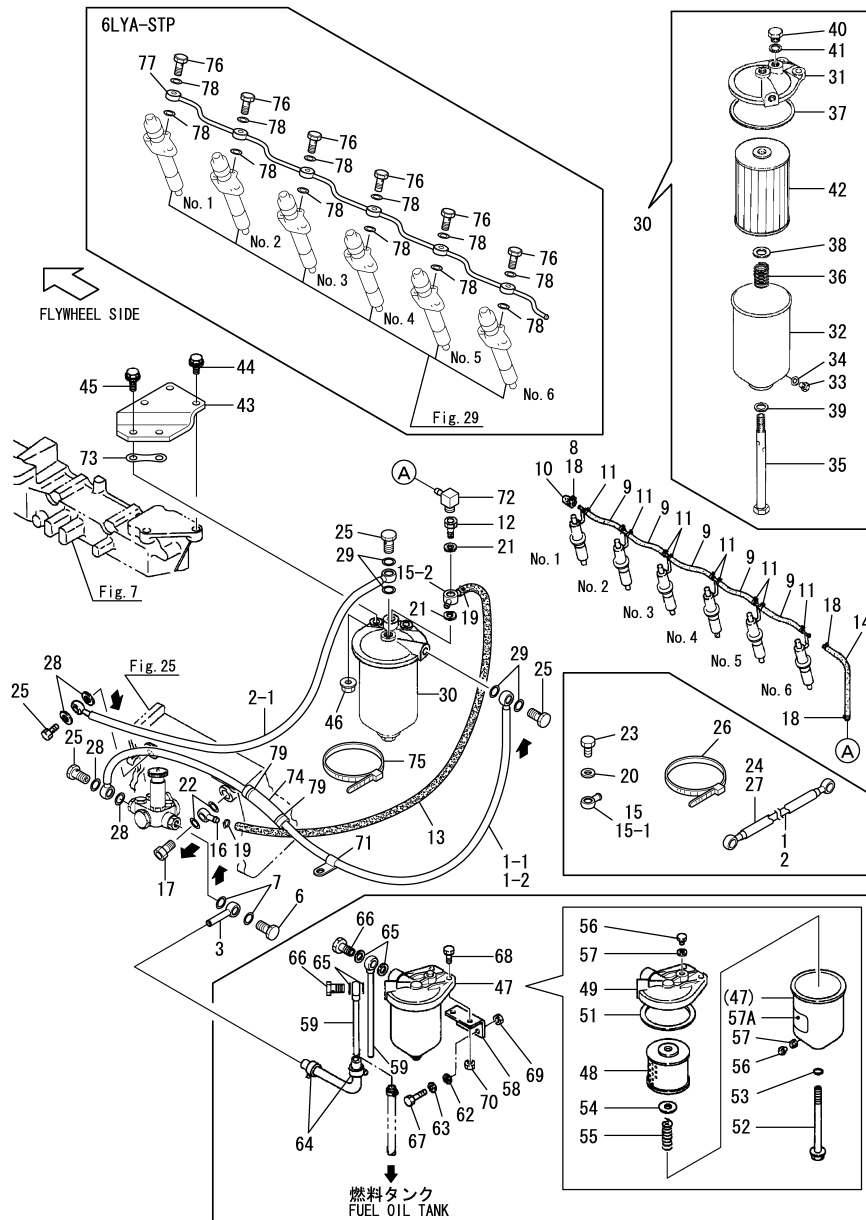
No.	Lev.	Parts No.	Description	Q'ty						I	R
				(A)	(B)	(C)	(D)	(E)	(F)		
1	1	119593-59130	PIPE ASSY, FUEL		1	1					
1-1	1	119593-59131 (B=E50161) (C=E40141)	PIPE ASSY, FUEL L630		1	1					N
1-2	1	119593-59132 (B=E50799) (C=*1998.12)	PIPE ASSY, FUEL	1	1	1					N
1-3	1	119593-59133	PIPE ASSY, FUEL L630	1							N
2	1	119593-59140 (A=*2002.07)	PIPE ASSY, FUEL L450		1	1					
2-1	1	119593-59141 (B=E50799) (C=*1998.12)	PIPE ASSY, FUEL	1	1	1					N
2-2	1	119593-59142 (A=*2002.07)	PIPE FUEL OIL	1							N
3	1	123325-59420	PIPE ASSY, FUEL	1	1	1					
6	1	148616-59430	BOLT, M14X26	1	1	1					
7	1	23414-140000	GASKET, 14X1.0	2	2	2					
8	1	124066-59100 (B=E50201) (C=E40201)	CLIP, HOSE 8	1	1						Z
9	1	129495-59551	PIPE, FUEL RETURN		5	5					
9-1	1	129495-59553 (B=E50799) (C=*1998.12)	PIPE, FUEL	5	5	5					N
9-2	1	129495-59553	PIPE, FUEL	5							Z
10	1	129150-59580 (A=*2002.07)	CAP		1	1					
10-1	1	119593-59580 (B=E50201) (C=E40201)	CAP		1	1					N
10-2	1	129270-59580 (B=E50799) (C=*1998.12)	CAP	1	1	1					N
10-3	1	129270-59580 (A=*2002.07)	CAP	1							Z
11	1	23000-013000	CLAMP, 13		10	10					
11-1	1	23000-016000 (B=E50799) (C=*1998.12)	CLAMP, 16	10	10	10					N
11-2	1	23000-016000 (A=*2002.07)	CLAMP, 16	10							Z
12	1	129495-59300	BOLT, PIPE JOINT		1	1					
12-1	1	119593-59920 (B=E50324) (C=E40308)	VALVE ASSY, CHECK	1	1	1					S
13	1	119574-59510	PIPE, FUEL		1	1					
13-1	1	119574-59512 (B=E50799) (C=*1998.12)	PIPE, FUEL	1	1	1					N
14	1	119574-59530	PIPE, FUEL		1	1					
14-1	1	119187-59562 (B=E50799) (C=*1998.12)	PIPE, FUEL	1	1	1					N
15	1	129470-59530	JOINT, PIPE		1	1					
15-1	1	119593-59980 (B=E50324) (C=E40308)	JOINT, PIPE		1	1					N
15-2	1	119574-59980 (B=*1999.11) (C=E40545)	JOINT, PIPE	1	1	1					N
16	1	121750-59910	JOINT	1	1	1					
17	1	119181-59950	VALVE ASSY, CHECK	1	1	1					
18	1	23000-013000	CLAMP, 13		2	2					

Remarks

(1)Optional parts.



Fig.30. FUEL PIPE & FUEL STRAINER



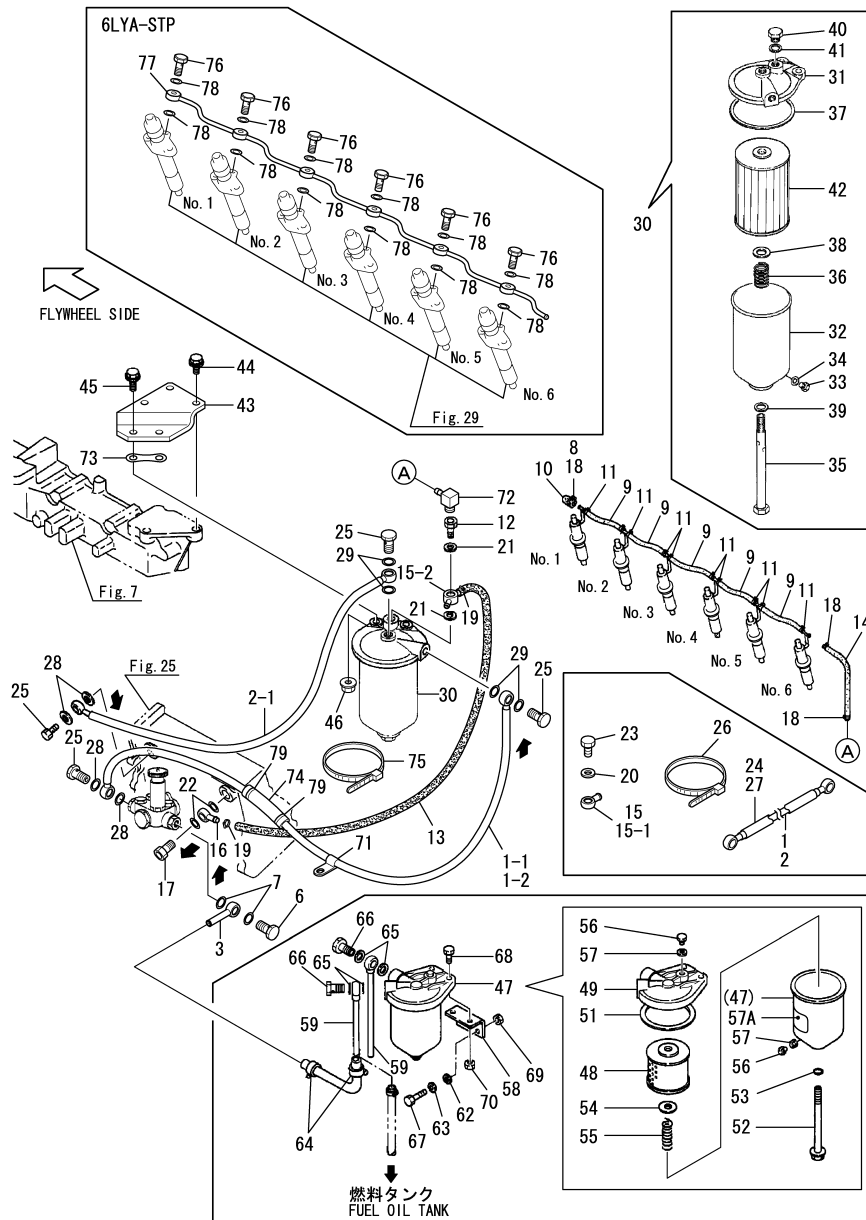
(A)=6LYA-STP  
(B)=6LYA-STE  
(C)=6LYA-UTE

(D)=  
(E)=  
(F)=

No.	Lev.	Parts No.	Description	Q'ty						I	R
				(A)	(B)	(C)	(D)	(E)	(F)		
18-1	1	23000-013000	CLAMP, 13 (B=E50201) (C=E40201)		3	3					K
18-2	1	23000-016000	CLAMP, 16 (B=E50799) (C=*1998.12)		3	3	3				N
18-3	1	23000-016000	CLAMP, 16 (A=*2002.07)		2						K
18-4	1	119172-48130	CLIP, HOSE 13 (A=*2002.02)		2						N
19	1	23000-016000	CLAMP, 16			2	2				
19-1	1	23000-019000	CLAMP, 19 (B=E50799) (C=*1998.12)		2	2	2				N
19-2	1	119172-48190	CLIP, HOSE 19 (A=*2002.02)		2						N
20	1	23414-080000	GASKET, 8X1.0 (B=E50324) (C=E40308)			1	1				Z
21	1	23414-140000	GASKET, 14X1.0		2	2	2				
22	1	23414-140000	GASKET, 14X1.0		2	2	2				
23	1	26106-080102	BOLT, M8X 10 PLATED (B=E50324) (C=E40308)			1	1				Z
24	1	119593-59250	PROTECTOR (B=E50161) (C=E40141)			1	1				Z
25	1	148616-59430	BOLT, M14X26		4	4	4				
26	1	121750-59890	BAND, 140 (B=E50161) (C=E40141)			1	1				Z
27	1	124770-77940	PROTECTOR (B=E50161) (C=E40141)			1	1				Z
28	1	23414-140000	GASKET, 14X1.0			6	6				
28-1	1	22190-140002	WASHER, SEAL 14 (B=E50965) (C=E40614)		6	6	6				N
29	1	23414-140000	GASKET, 14X1.0			4	4				
29-1	1	22190-140002	WASHER, SEAL 14 (B=E50965) (C=E40614)		4	4	4				N
30	1	41650-550310	STRAINER, FUEL		1	1	1				
31	2	123678-55700	COVER		1	1	1				
32	2	123678-55720	CASE		1	1	1				
33	2	123672-55750	PLUG, DRAIN M8		1	1	1				
34	2	123672-55760	GASKET		1	1	1				
35	2	123678-55770	BOLT		1	1	1				
36	2	123678-55790	SPRING, SET		1	1	1				
37	2	123678-55850	GASKET		1	1	1				
38	2	123678-55860	SEAT, SPRING D30/16		1	1	1				
39	2	123678-55870	GASKET		1	1	1				
40	2	123678-55880	PLUG, M14		1	1	1				
41	2	123678-55890	GASKET		1	1	1				
42	2	41650-550810	STRAINER		1	1	1				
42A	2	41650-501180	LABEL, CAUTION (A=E00377)		1						W
43	1	119574-55650	BRACKET		1	1	1				
44	1	26106-100252	BOLT, M10X 25 PLATED			3	3				
44-1	1	26106-100222	BOLT, M10X 22 PLATED (B=FROM 1ST) (C=FROM 1ST)		3	3	3				S

Remarks  
(1)Optional parts.

Fig.30. FUEL PIPE & FUEL STRAINER



(A)=6LYA-STP  
(B)=6LYA-STE  
(C)=6LYA-UTE

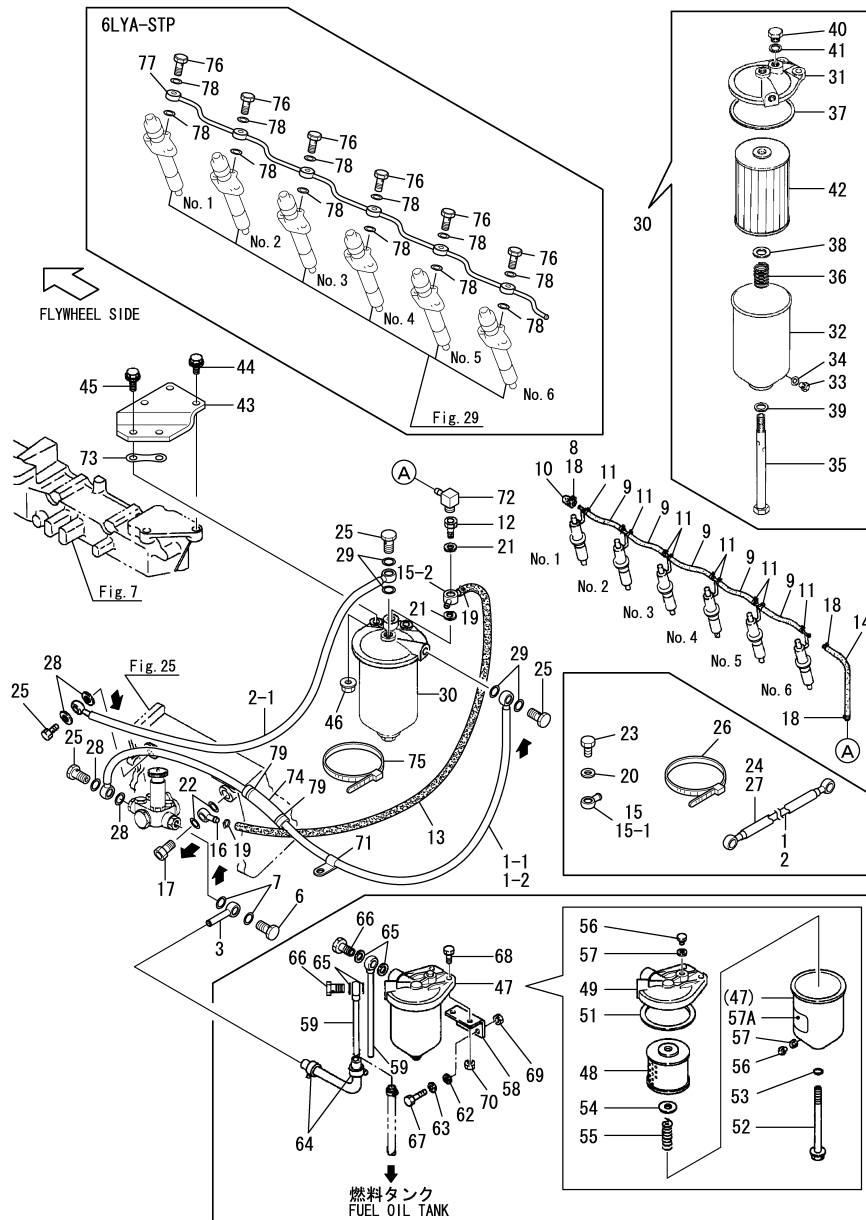
(D)=  
(E)=  
(F)=

No.	Lev.	Parts No.	Description	Q'ty						I	R
				(A)	(B)	(C)	(D)	(E)	(F)		
45	1	26106-100302	BOLT, M10X 30 PLATED	2	2	2					
46	1	26366-100002	NUT, M10	2	2	2					
46-1	1	26306-100002	NUT, M10	2	2	2					N
47	1	(A=E51655) (B=E51386) (C=E40890) 120324-55750	SEPARATOR ASSY	1	1	1					1
47-1	1	120324-55751	SEPARATOR ASSY	1							N 1
48	2	(A=E00184) 120324-55760	ELEMENT	1	1	1					
49	2	X2740134001	COVER ASSY	1	1	1					
51	2	X0582810173	GASKET	1	1	1					
52	2	X0311121522	BOLT	1	1	1					
53	2	X0580121073	O-RING, 1A P 12.0	1	1	1					
54	2	X0300120414	SEAT, SPRING	1	1	1					
55	2	X0600160122	SPRING	1	1	1					
56	2	X0314080110	PLUG	2	2	2					
57	2	X0588080273	WASHER	2	2	2					
57A	2	X0993071171	LABEL, CAUTION	1							W
58	1	(A=E00184) 123672-55811	BRACKET	1	1	1					
59	1	123325-59420	PIPE ASSY, FUEL	2	2	2					
62	1	22137-080000	WASHER, 8	2	2	2					
63	1	22217-080000	WASHER, SPRING 8	2	2	2					
64	1	23000-016000	CLAMP, 16	2	2	2					
64-1	1	119172-48190	CLIP, HOSE 19	2							N
65	1	(A=*2002.02) 23414-140000	GASKET, 14X1.0	4	4	4					
66	1	23857-080000	BOLT, JOINT 8	2	2	2					
67	1	26106-080402	BOLT, M8X 40 PLATED	2	2	2					
68	1	26106-100202	BOLT, M10X 20 PLATED	2	2	2					
69	1	26366-080002	NUT, M8	2	2	2					
69-1	1	26306-080002	NUT, M8	2	2	2					N
70	1	(A=E51655) (B=E51386) (C=E40890) 26706-100002	NUT, M10	2	2	2					
71	1	119593-39450	RETAINER		1	1					W
71-1	1	(B=E50161) (C=E40141) 128377-59860	RETAINER	1	1	1					S
71-2	1	(B=E50805) (C=*1999.02) 124770-49310	RETAINER	1							R
72	1	(A=*2008.12) 119593-59960	ELBOW, PT1/8	1	1	1					W
73	1	(B=E50324) (C=E40308) 127610-55820	PAD	1	1	1					W
74	1	(B=FROM 1ST) (C=FROM 1ST) 119575-59300	PROTECTOR	1	1	1					W
75	1	(B=E50805) (C=*1999.02) 121750-59890	BAND, 140	2	2	2					W
76	1	(B=E50805) (C=*1999.02) 129491-59540	BOLT, PIPE JOINT M6	6							W
77	1	(A=*2002.07) 119574-59550	PIPE ASSY, FUEL	1							W

Remarks

(1)Optional parts.

Fig.30. FUEL PIPE & FUEL STRAINER



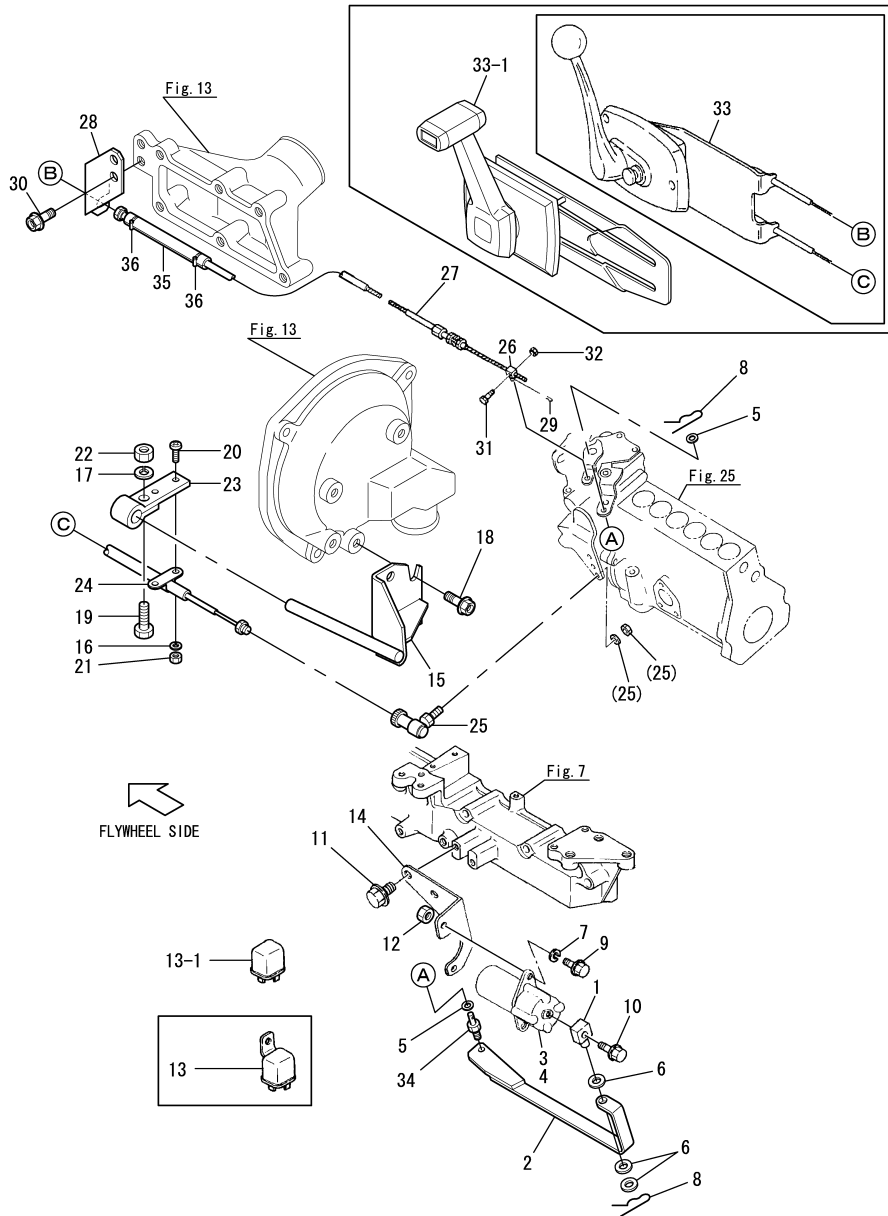
(A)=6LYA-STP  
(B)=6LYA-STE  
(C)=6LYA-UTE

(D)=  
(E)=  
(F)=

No.	Lev.	Parts No.	Description	Q'ty						I	R
				(A)	(B)	(C)	(D)	(E)	(F)		
78	1	22190-060002	WASHER, SEAL 6	12							W
		(A=*2002.07)									
79	1	123682-77710	PROTECTOR	1							W
		(A=*2008.12)									

Remarks  
(1)Optional parts.

# Fig.31. ENGINE STOP DEVICE



(A)=6LYA-STP  
(B)=6LYA-STE  
(C)=6LYA-UTE

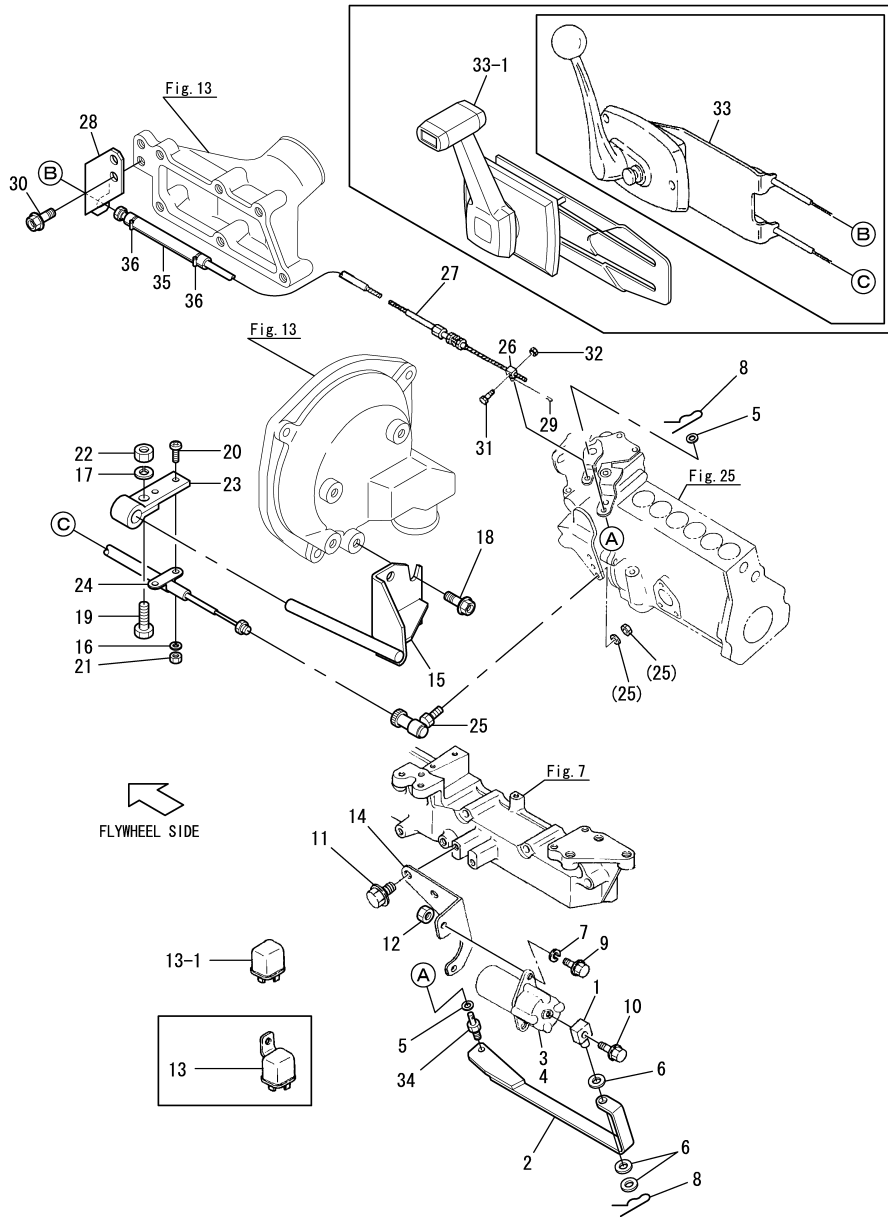
(D)=  
(E)=  
(F)=

No.	Lev.	Parts No.	Description	Q'ty						I	R
				(A)	(B)	(C)	(D)	(E)	(F)		
1	1	171078-66551	PIN	1	1	1					
2	1	119588-67311	LINK	1	1	1					
3	1	119588-67320	SOLENOID, STOP 24V		1	1					Z
		(B=FROM 1ST) (C=FROM 1ST)									
4	1	129470-67320	SOLENOID, STOP 12V	1	1	1					
5	1	22117-060000	WASHER, 6	2	2	2					
6	1	22117-080000	WASHER, 8	3	3	3					
7	1	22217-060000	WASHER, SPRING 6		2	2					Z
		(B=FROM 1ST) (C=FROM 1ST)									
8	1	22360-080000	SNAP PIN 8	2	2	2					
9	1	26106-060102	BOLT, M6X 10 PLATED		2	2					
9-1	1	26106-060122	BOLT, M6X 12 PLATED	2	2	2					S
		(B=FROM 1ST) (C=FROM 1ST)									
10	1	26106-060202	BOLT, M6X 20 PLATED	1	1	1					
11	1	26106-080122	BOLT, M8X 12 PLATED		2	2					
11-1	1	26106-080162	BOLT, M8X 16 PLATED	2	2	2					S
		(B=FROM 1ST) (C=FROM 1ST)									
12	1	26366-060002	NUT, M6		1	1					
12-1	1	26366-060002	NUT, M6	2	2	2					K
		(B=FROM 1ST) (C=FROM 1ST)									
13	1	124617-91850	RELAY		1	1					
13-1	1	119773-91850	RELAY	1	1	1					R
		(B=E50965) (C=E40589)									
14	1	119588-67300	BRACKET, SOLENOID	1	1	1					
14-1	1	119574-67300	BRACKET	1	1	1					R
		(A=E51655) (B=E51386) (C=E40890)									
14-2	1	119588-67300	BRACKET, SOLENOID	1							R
		(A=*2003.07)									
15	1	119574-67150	BRACKET	1	1	1					
15-1	1	119595-67150	BRACKET, CABLE	1							R
		(A=*2008.12)									
16	1	22217-050000	WASHER, SPRING 5	2	2	2					
17	1	22217-080000	WASHER, SPRING 8	1	1	1					
18	1	26106-080182	BOLT, M8X 18 PLATED		2	2					
18-1	1	26106-080142	BOLT, M8X 14 PLATED	2	2	2					N
		(B=E50206) (C=E40216)									
19	1	26116-080252	BOLT, M8X 25 PLATED		1	1					
19-1	1	26116-080202	BOLT, M8X 20 PLATED	1	1	1					R
		(B=E50866) (C=E40474)									
20	1	26557-050122	SCREW, M5X12	2	2	2					
21	1	26716-050002	NUT, M5	2	2	2					
22	1	26716-080002	NUT, M8	1	1	1					
23	1	41701-001720	BRACKET	1	1	1					
24	1	41710-000410	CLAMP	1	1	1					
25	1	41710-001300	JOINT, BALL	1	1	1					
26	1	129590-67310	RETAINER	1	1	1					
27	1	119593-67400	WIRE	1	1	1					
28	1	119574-67900	BRACKET		1	1					
28-1	1	119574-67901	BRACKET	1	1	1					N
		(B=FROM 1ST) (C=FROM 1ST)									
29	1	22414-250150	PIN, COTTER 2.5X15	1	1	1					

Remarks

(1)Optional parts.

# Fig.31. ENGINE STOP DEVICE



(A)=6LYA-STP  
(B)=6LYA-STE  
(C)=6LYA-UTE

(D)=  
(E)=  
(F)=

No.	Lev.	Parts No.	Description	Q'ty						I	R
				(A)	(B)	(C)	(D)	(E)	(F)		
30	1	26106-080122	BOLT, M8X 12 PLATED	2	2	2					
31	1	26116-050142	BOLT, M5X 14 PLATED	1	1	1					
32	1	26756-050002	NUT, LOCK M5	1	1	1					
33	1	128170-86500	CONTROLLER	1	1	1					1
33-1	1	128170-86501	REMOCON HEAD (MN	1	1	1					S 1
		(A=*2002.04) (B=*2002.04) (C=*2002.04)									
34	1	120220-66250	PIN	1	1	1					
35	1	119574-67450	COVER	1	1	1					
36	1	23000-013000	CLAMP, 13	2	2	2					

Remarks  
(1)Optional parts.

Fig.32. CLUTCH(OPTIONAL)

No.	Lev.	Parts No.	Description	Q'ty						I	R
				(A)	(B)	(C)	(D)	(E)	(F)		
1	1	119593-81110	CLUTCH ASSY, 1.58 6A	1	1	1					
2	1	119593-81120	CLUTCH ASSY, 1.92 6A	1	1	1					
3	1	119593-81130	CLUTCH ASSY, 2.26 6A	1	1	1					
4	1	119593-81310	CLUTCH ASSY, 1.58	1	1	1					
5	1	119593-81320	CLUTCH ASSY, 1.92	1	1	1					
6	1	119593-81330	CLUTCH ASSY, 2.26	1	1	1					
7	1	121750-59890	BAND, 140	2	2	2					
8	1	120270-77101	SWITCH, SAFETY	1	1	1					
9	1	119573-77850	HARNES, WIRE	1	1	1					
10	1	22312-100220	PIN, PARALLEL M10X22	1	1	1					
11	1	26106-100302	BOLT, M10X 30 PLATED	10	10	10					
12	1	26106-100402	BOLT, M10X 40 PLATED	8	8	8					
13	1	119593-85900	COUPLING	1	1	1					
14	1	26116-160452	BOLT, M16X 45 PLATED	6	6	6					
15	1	26716-160002	NUT, M16	6	6	6					
16	1	177524-80010	CLUTCH ASSY, 2.43	1							W
		(A=E00465)									
17	1	177524-80020	CLUTCH ASSY, 2.04	1							W
		(A=E00465)									
18	1	177524-80030	CLUTCH ASSY, 1.55	1							W
		(A=E00465)									
19	1	26106-100252	BOLT, M10X 25 PLATED	8							W
		(A=E00465)									
20	1	26106-100282	BOLT, M10X 28 PLATED	12							W
		(A=E00465)									

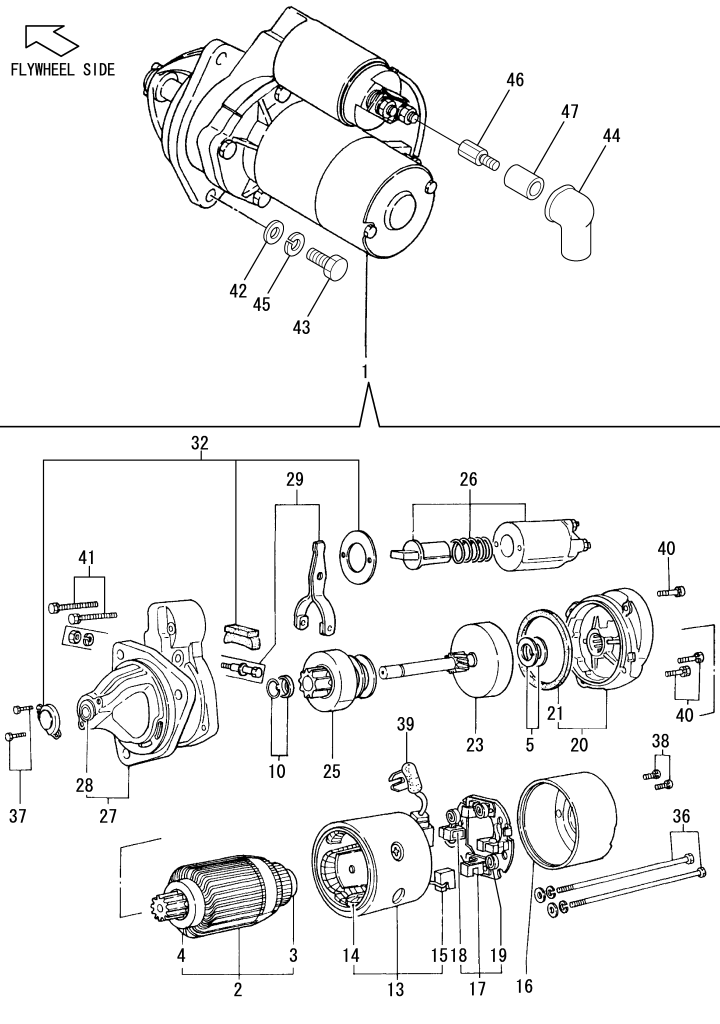
Remarks

\* Parts listed in this figure are not illustrated.

Fig.33. STARTING MOTOR

(A)=6LYA-STP  
(B)=6LYA-STE  
(C)=6LYA-UTE

(D)=  
(E)=  
(F)=



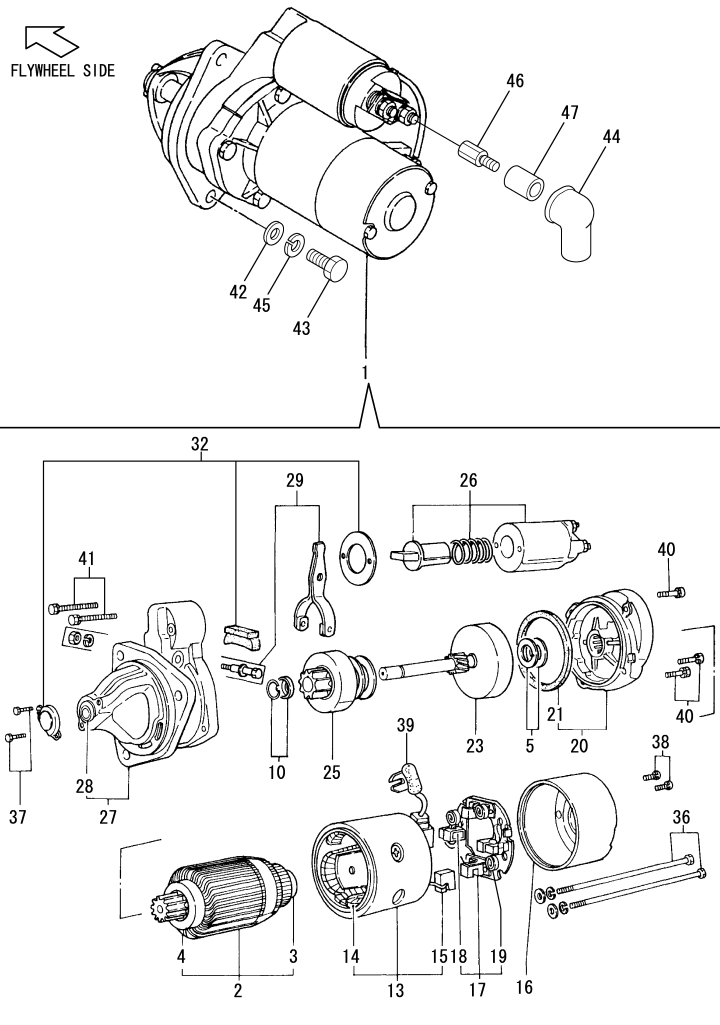
No.	Lev.	Parts No.	Description	Q'ty						I	R
				(A)	(B)	(C)	(D)	(E)	(F)		
1	1	124610-77010	STARTER, S13-68A	1	1						1
1-1	1	124610-77010	STARTER, S13-68A	1	1						N 2
		(B=*1995.12) (C=*1995.12)									
1-2	1	124610-77019	STARTING MOTOR	1	1	1					N 3
		(B=E51058) (C=E40642)									
2	2	121254-77401	ARMATURE ASSY		1	1					
2-1	2	121254-77402	ARMATURE ASSY	1	1	1					S
		(B=*1995.12) (C=*1995.12)									
3	3	121254-77410	BALL BEARING	1	1	1					
4	3	121254-77420	BALL BEARING	1	1	1					
5	2	121254-77430	WASHER KIT, THRUST	1	1	1					
10	2	121254-77480	STOPPER KIT, PINION	1	1	1					
13	2	121254-77510	YORK ASSY		1	1					
13-1	2	121254-77511	COIL ASSY, FIELD	1	1	1					S
		(B=*1995.12) (C=*1995.12)									
14	3	121254-77520	COIL ASSY, FIELD		1	1					
14-1	3	121254-77521	COIL ASSY, FIELD	1	1	1					S
		(B=*1995.12) (C=*1995.12)									
15	4	121254-77540	BRUSH(+)		2	2					
15-1	4	121254-77541	BRUSH (+)	2	2	2					S
		(B=*1995.12) (C=*1995.12)									
16	2	124610-77550	REAR COVER ASSY	1	1	1					
17	2	121254-77570	HOLDER ASSY, BRUSH		1	1					
17-1	2	121254-77571	HOLDER ASSY	1	1	1					S
		(B=*1995.12) (C=*1995.12)									
18	3	121254-77580	BRUSH (-)		2	2					
18-1	3	121254-77581	BRUSH, -	2	2	2					S
		(B=*1995.12) (C=*1995.12)									
19	3	121254-77590	SPRING	4	4	4					
20	2	X21304400	BEARING ASSY, CENTER		1	1					
20-1	2	121254-77600	BEARING ASSY, CENTER	1	1	1					N
		(B=*1995.12) (C=*1995.12)									
21	3	119129-77210	SEAL, OIL		1	1					
21-1	3	121254-77610	SEAL, OIL	1	1	1					N
		(B=*1995.12) (C=*1995.12)									
23	2	X22501113	SHAFT ASSY, GEAR		1	1					
23-1	2	124610-77640	SHAFT ASSY, GEAR	1	1	1					N
		(B=*1995.12) (C=*1995.12)									
25	2	X213035002	PINION ASSY		1	1					
25-1	2	124610-77660	PINION ASSY	1	1	1					N
		(B=*1995.12) (C=*1995.12)									
26	2	X213017001	SWITCH ASSY, MAGNET.		1	1					
26-1	2	121254-77670	SWITCH, MAGNETIC		1	1					N
		(B=*1995.12) (C=*1995.12)									
26-2	2	121254-77671	SWITCH, MAGNETIC	1	1	1					N
		(B=E51058) (C=E40642)									
27	2	X213046003	HOUSING ASSY, GEAR	1	1	1					
28	3	121254-77690	METAL, GEAR CASE		1	1					
28-1	3	124610-77690	METAL, GEAR CASE	1	1	1					N
		(B=*1995.12) (C=*1995.12)									
29	2	121254-77700	LEVER SET, SHIFT	1	1	1					

Remarks  
(1)S13-68  
(2)S13-68A  
(3)S13-68C

Fig.33. STARTING MOTOR

(A)=6LYA-STP  
(B)=6LYA-STE  
(C)=6LYA-UTE

(D)=  
(E)=  
(F)=

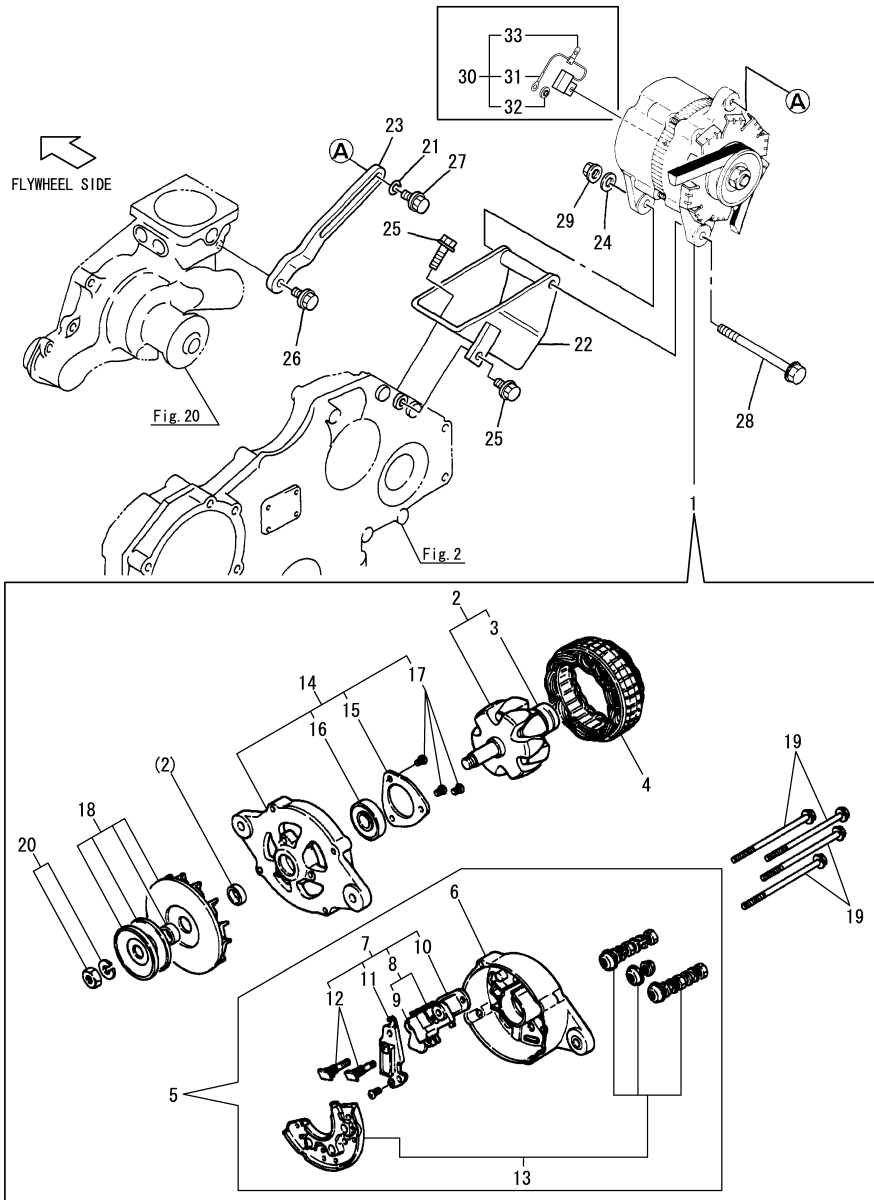


No.	Lev.	Parts No.	Description	Q'ty						I	R
				(A)	(B)	(C)	(D)	(E)	(F)		
32	2	121254-77730	DUST COVER SET	1	1	1					
36	2	121254-77770	BOLT, THROUGH	2	2	2					
37	2	121254-77780	SCREW 5	2	2	2					
38	2	121254-77790	SCREW 4	2	2	2					
39	2	121254-77810	COVER, TERMINAL	1	1	1					
40	2	26106-060302	BOLT, M6X 30 PLATED	3	3	3					
41	2	26106-060452	BOLT, M6X 45 PLATED	2	2	2					
42	1	22137-120000	WASHER, 12	3	3	3					
43	1	26116-120302	BOLT, M12X 30 PLATED	3	3	3					
43-1	1	26116-120352	BOLT, M12X 35 PLATED	3							N
		(A=*2003.04)									
44	1	124550-77030	COVER, TERMINAL	1	1	1					
44-1	1	119773-77030	COVER	1	1	1					R
		(A=*2002.01) (B=*2002.01) (C=*2002.01)									
45	1	22217-120000	WASHER, SPRING 12	3							W
		(A=*2003.04)									
46	1	119175-77500	BOLT	1							W
		(A=*2002.12)									
47	1	119175-77800	COVER	1							W
		(A=*2002.12)									

Remarks  
(1)S13-68  
(2)S13-68A  
(3)S13-68C



Fig.34. GENERATOR(TO MAY 1997)



(A)=6LYA-STP  
(B)=6LYA-STE  
(C)=6LYA-UTE

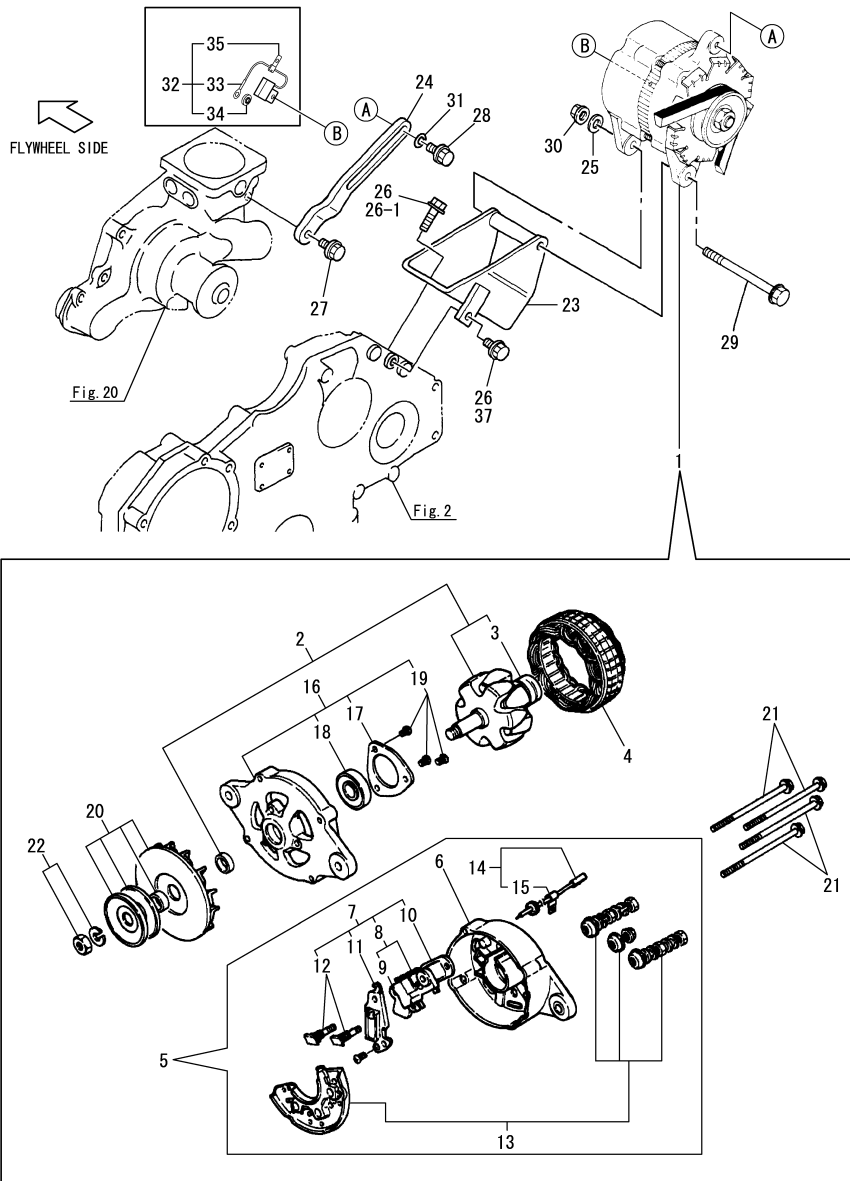
(D)=  
(E)=  
(F)=

No.	Lev.	Parts No.	Description	Q'ty						I	R
				(A)	(B)	(C)	(D)	(E)	(F)		
1	1	119573-77200 (B=E50256)	GENERATOR (12V-80A (C=E40241)	1	1						Z
2	2	XL1805100	ROTOR ASY		1	1					
3	3	X6201NC	BALL BEARING		1	1					
4	2	XL1801200	STATOR ASY		1	1					
5	2	XL1809300	COVER ASSY, REAR		1	1					
6	3	XL1805301	COVER, REAR		1	1					
7	3	XL1556315	REGULATOR ASSY,BRUSH		1	1					
8	4	XL2255320	DIODE L225-5320		1	1					
9	5	XL1801335	BRUSH		2	2					
10	4	XTR1Z63	REGULATOR		1	1					
11	4	XL2251318	CONDENCER ASSY		1	1					
12	4	119129-77940	BOLT(M5)		2	2					
13	3	XL1808320	DIODE ASY		1	1					
14	2	XL23534011	COVER ASSY, FRONT		1	1					
15	3	XL150M14041	RETAINER		1	1					
16	3	X6303BM	BALL BEARING 6303B		1	1					
17	3	XL15028001	SCREW ASSY		1	1					
18	2	XL1805500	PULLEY ASSY		1	1					
19	2	XL18018015	THROUGH BOLT		4	4					
20	2	XL1501810	NUT ASSY, PULLEY		1	1					
21	1	106100-55800	WASHER		1	1					
22	1	119593-77300	BRACKET		1	1					
22-1	1	119593-77301 (B=E51386)	BRACKET (C=E40795)		1	1					N
23	1	119593-77330	ADJUSTER, BELT		1	1					
24	1	22137-100000	WASHER, 10		1	1					
25	1	26106-080202	BOLT, M8X 20 PLATED		4	4					
26	1	26106-080222	BOLT, M8X 22 PLATED		1	1					
27	1	26106-080252	BOLT, M8X 25 PLATED		1	1					
28	1	26116-101202	BOLT, M10X120 PLATED		1	1					
29	1	26366-100002	NUT, M10		1	1					
29-1	1	26306-100002	NUT, M10		1	1					N
30	1	119573-77250 (B=E50206)	CONDENSER ASSY (C=E40890) (C=E40216)		1	1					W 1
31	2	119573-77260 (B=E50206)	CONDENSER (C=E40216)		1	1					W 1
32	2	119573-77270 (B=E50206)	BUSH (C=E40216)		2	2					W 1
33	2	129772-77280 (B=E50206)	CLAMP (C=E40216)		1	1					W 1

Remarks

(1)Optional parts.

Fig.35. GENERATOR(FROM JUN. 19971)



(A)=6LYA-STP  
(B)=6LYA-STE  
(C)=6LYA-UTE

(D)=  
(E)=  
(F)=

No.	Lev.	Parts No.	Description	Q'ty						I	R
				(A)	(B)	(C)	(D)	(E)	(F)		
1	1	119573-77201	ALTERNATER(12V-80A (B=E50256) (C=E40241)	1	1	1					W
1-1	1	119573-77201	ALTERNATER(12V-80A)	1							Z 2
(A=E00782)											
2	2	XL180G61000	ROTOR ASSY	1	1	1					
3	3	119129-77320	BEARING, BALL	1	1	1					
4	2	XL180120000	STATOR ASSY	1	1	1					
5	2	XL180G63006	COVER ASSY, REAR	1	1	1					
6	3	XL180G13012	COVER, REAR	1	1	1					
7	3	XL180G43150	BRUSH ASSY,REGULATOR	1	1	1					
8	4	XL155G1330	BRUSH ASSY	1	1	1					
9	5	XL225G1325	BRUSH SET	2	2	2					
10	4	124080-77390	REGULATOR ASSY	1	1	1					
11	4	XL225431800	CONDENSER ASSY	1	1	1					
12	4	119129-77940	BOLT(M5)	2	2	2					
13	3	XL180832000	DIODE ASSY	1	1	1					
14	3	119129-77250	WIRE, LEAD	1	1	1					
15	4	119129-77260	CLAMP	1	1	1					
16	2	XL235340110	COVER ASSY, FRONT	1	1	1					
17	3	XL150M14041	RETAINER	1	1	1					
18	3	X6303BM00000	BEARING, BALL	1	1	1					
19	3	119129-77930	SCREW KIT	1	1	1					
20	2	XL180G85001	PULLEY ASSY	1	1	1					
21	2	119129-77890	BOLT, THROUGH	4	4	4					
22	2	119129-77900	NUT ASSY, PULLEY	1	1	1					
23	1	119593-77300	BRACKET	1	1	1					
23-1	1	119593-77301	BRACKET	1	1	1					N
(A=E51623) (B=E51386) (C=E40795)											
24	1	119593-77330	ADJUSTER, BELT	1	1	1					
25	1	22137-100000	WASHER, 10	1	1	1					
26	1	26106-080202	BOLT, M8X 20 PLATED	4	4	4					
26-1	1	26106-080202	BOLT, M8X 20 PLATED	3							K
(A=*2003.04)											
27	1	26106-080222	BOLT, M8X 22 PLATED	1	1	1					
27-1	1	26013-080252	BOLT, M8X 25	1							N
(A=*2003.04)											
28	1	26106-080252	BOLT, M8X 25 PLATED	1	1	1					
28-1	1	26013-080252	BOLT, M8X 25	1							N
(A=*2003.04)											
29	1	26116-101202	BOLT, M10X120 PLATED	1	1	1					
30	1	26366-100002	NUT, M10	1	1	1					
30-1	1	26306-100002	NUT, M10	1	1	1					N
(A=E51655) (B=E51386) (C=E40890)											
31	1	106100-55800	WASHER	1	1	1					
32	1	119573-77250	CONDENSER ASSY	1	1	1					1
33	2	119573-77260	CONDENSER	1	1	1					1
34	2	119573-77270	BUSH	2	2	2					1
35	2	129772-77280	CLAMP	1	1	1					1
37	1	26106-080162	BOLT, M8X 16 PLATED	1							W
(A=*2003.04)											

Remarks

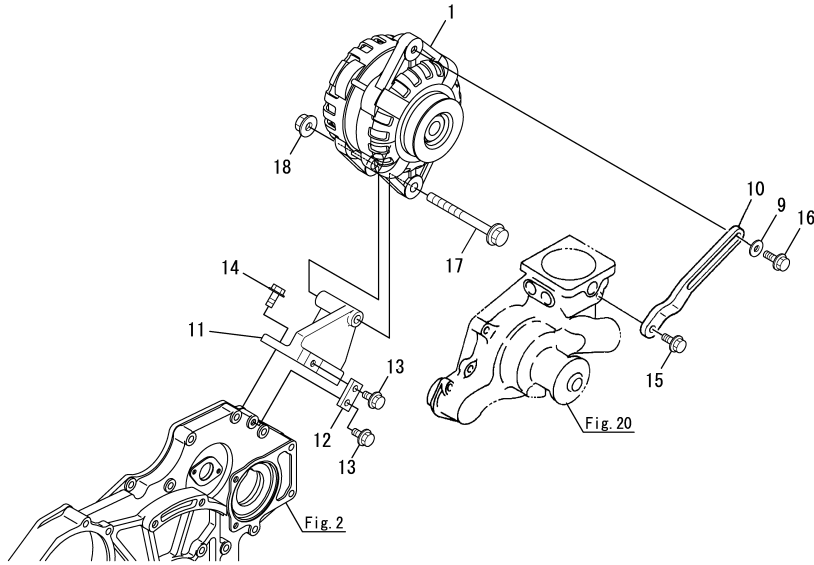
- (1)Optional parts.
- (2)HITACHI : Up to 2012.6.

Fig.55. (35A)GENERATOR(BOSCH)

(A)=6LYA-STP  
(B)=6LYA-STE  
(C)=6LYA-UTE

(D)=  
(E)=  
(F)=

No.	Lev.	Parts No.	Description	Q'ty						I	R	
				(A)	(B)	(C)	(D)	(E)	(F)			
1	1	129908-77200 (A=E00782)	ALTERNATOR 12V	1							W	1
9	1	106100-55800	WASHER	1								
10	1	119593-77330	ADJUSTER, BELT	1								
11	1	119595-77350	BRACKET, ALTERNATOR	1								
12	1	119595-77370	STAY, BRACKET	1								
13	1	26106-080162	BOLT, M8X 16 PLATED	2								
14	1	26106-080202	BOLT, M8X 20 PLATED	3								
15	1	26106-080222	BOLT, M8X 22 PLATED	1								
16	1	26106-080252	BOLT, M8X 25 PLATED	1								
17	1	26106-101052	BOLT, M10X105 PLATED	1								
18	1	26306-100002	NUT, M10	1								

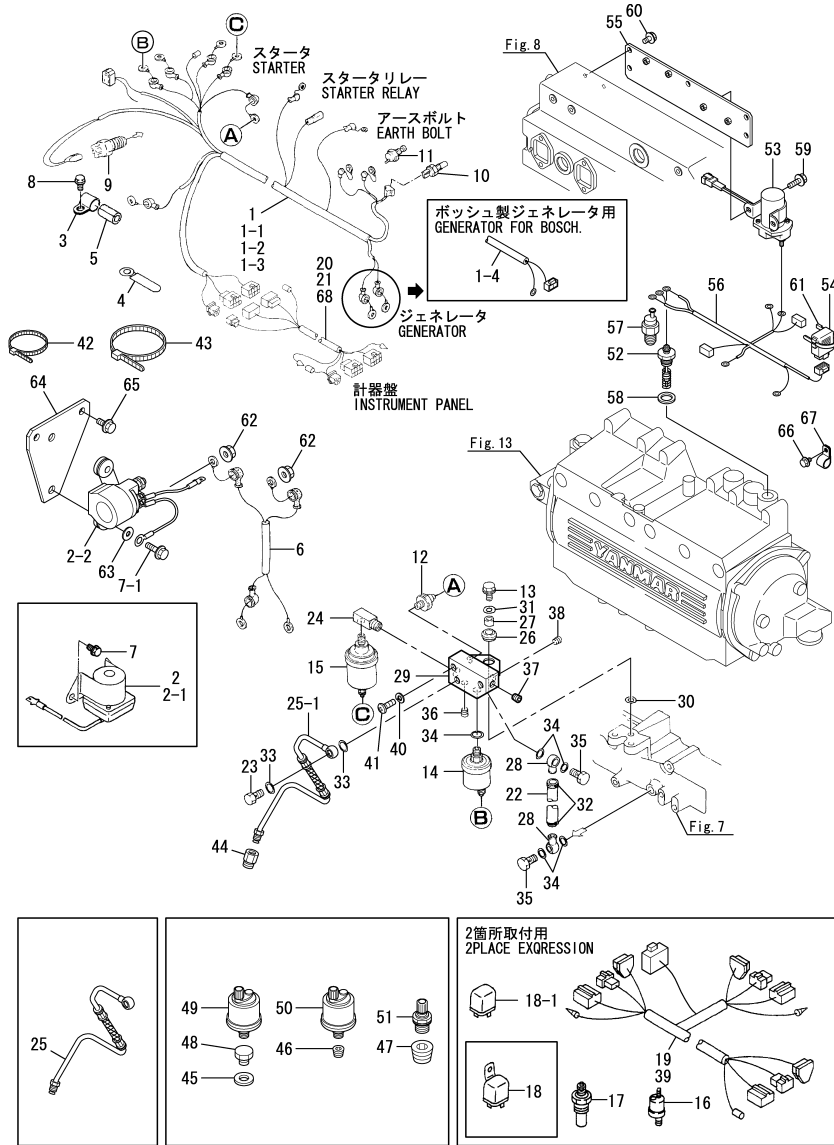


Remarks  
(1) BOSCH : from 2012.7.

Fig.36. WIRE HARNESS & SENSOR

(A)=6LYA-STP  
(B)=6LYA-STE  
(C)=6LYA-UTE

(D)=  
(E)=  
(F)=



No.	Lev.	Parts No.	Description	Q'ty						I	R
				(A)	(B)	(C)	(D)	(E)	(F)		
1	1	119573-77813	HARNESS, WIRE		1	1					
1-1	1	119573-77814 (B=E50556) (C=E40388)	HARNESS, WIRE		1	1					N
1-2	1	119574-77810 (B=E50905) (C=E40492)	HARNESS, WIRE	1	1	1					N
1-3	1	119574-77811 (A=E51735) (B=E51386) (C=E40938)	HARNESS, WIRE	1	1	1					N 5
1-4	1	119574-77812 (A=E00782)	HARNESS, WIRE	1							S 6
2	1	129100-77910	RELAY, MAGNETIC		1	1					
2-1	1	129490-77910 (B=E50626) (C=E40408)	RELAY, STARTER	1	1	1					N
2-2	1	119575-77510 (A=*2004.06) (B=*2004.06) (C=*2004.06)	RELAY, STARTER	1	1	1					F 4
2-3	1	119575-77511 (A=*2008.06)	RELAY, STARTER	1							N
3	1	124770-49310	RETAINER	1	1	1					
4	1	105430-67110	CLAMP, CORD	1	1	1					
4-1	1	105430-67110 (A=E51735) (B=E51386) (C=E40938)	CLAMP, CORD	5	5	5					K
5	1	123682-77710	PROTECTOR	1	1	1					
6	1	119171-77850	HARNESS, WIRE	1	1	1					
7	1	26106-060122	BOLT, M6X 12 PLATED	2	2	2					
7-1	1	26106-060202 (A=*2004.06) (B=*2004.06) (C=*2004.06)	BOLT, M6X 20 PLATED	2	2	2					F 4
8	1	26106-080162	BOLT, M8X 16 PLATED	1	1	1					
9	1	128170-91160	SENSOR	1	1	1					
10	1	127610-91350	SWITCH, 95	1	1	1					
11	1	144626-91570	SENDER UNIT	1	1	1					
12	1	124060-39451	SWITCH, 0.2KG		1	1					
12-1	1	124060-39452 (B=E50965) (C=E40589)	SWITCH, 0.2KG	1	1	1					N
13	1	26106-080202	BOLT, M8X 20 PLATED	3	3	3					
14	1	127687-91300	SENSOR		1	1					
14-1	1	119773-91300 (B=E51263) (C=E40708)	SENSOR	1	1	1					N
14-2	1	119773-91301 (A=E51623) (B=E51386) (C=E40795)	SENSOR	1	1	1					N
15	1	144626-91560	SENSOR		1	1					
15-1	1	119773-91500 (B=*1997.09) (C=*1997.05)	SENDER		1	1					N
15-2	1	119773-91501 (B=E51263) (C=E40708)	SENSOR	1	1	1					N
16	1	129574-91560	SENSOR	1	1	1					1
16-1	1	129574-91561 (A=E51655) (B=E51386) (C=E40890)	SENSOR	1	1	1					R 1
17	1	129574-91570	SENSOR	1	1	1					1
18	1	124617-91850	RELAY		1	1					1
18-1	1	119773-91850 (B=E50965) (C=E40589)	RELAY	1	1	1					R 1
19	1	46150-507600	HARNESS, WIRE	1	1	1					1

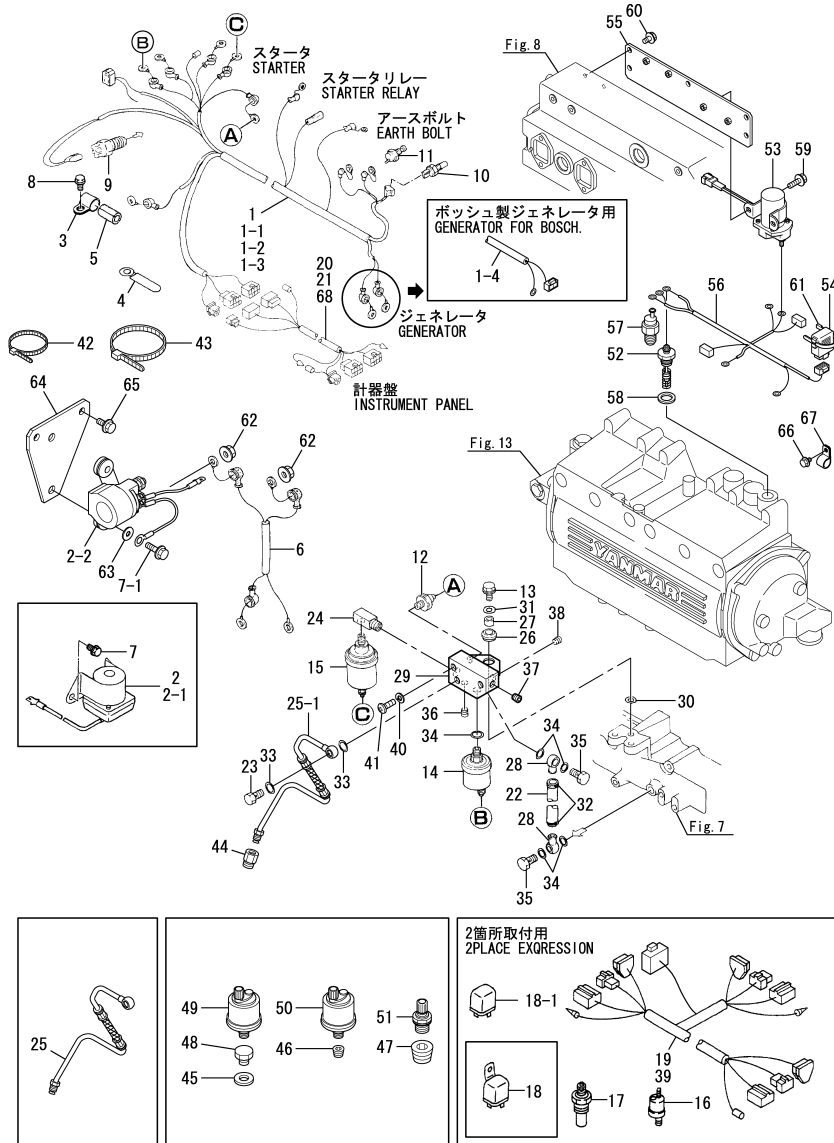
Remarks

- (1)Optional parts.
- (2)Optional parts. 12v
- (3)VDO spec.(Optional parts)
- (4)Interchangeable by simultaneous replacement with No.2-2, 7-1, 63, 64, 65.
- (5)GENERATOR : spec. of HITACHI.
- (6)GENERATOR : spec. of BOSCH.

Fig.36. WIRE HARNESS & SENSOR

(A)=6LYA-STP  
(B)=6LYA-STE  
(C)=6LYA-UTE

(D)=  
(E)=  
(F)=



No.	Lev.	Parts No.	Description	Q'ty						I	R
				(A)	(B)	(C)	(D)	(E)	(F)		
20	1	129574-77710	HARNESS, WIRE 4M	1	1	1					1
21	1	129574-77720	HARNESS, WIRE 6M	1	1	1					1
22	1	119574-18490	HOSE	1	1	1					
22-1	1	119593-18490	JOINT	1							N
		(A=*2008.12)									
23	1	124160-39140	BOLT, PIPE JOINT M10	1	1	1					
24	1	123482-39670	DAMPER CMP	1	1	1					
25	1	119574-39750	PIPE ASSY, OIL			1	1				
25-1	1	119574-39751	PIPE ASSY, OIL			1	1				S
		(B=E50474) (C=E40348)									
25-2	1	119574-39752	PIPE ASSY, OIL			1	1				N
		(B=E50805) (C=*1999.02)									
25-3	1	119595-39750	PIPE, OIL			1	1				N
		(B=E50965) (C=E40585)									
25-4	1	119595-39751	PIPE ASSY, OIL	1	1	1					R
		(B=E51058) (C=E40642)									
26	1	105100-55501	ABSORBER	3	3	3					
27	1	105100-55540	COLLAR	3	3	3					
28	1	101304-59020	JOINT, PIPE 12	2	2	2					
29	1	119574-91010	BRACKET			1	1				
29-1	1	119574-91011	BRACKET	1	1	1					R
		(B=*1999.11) (C=E40545)									
29-2	1	119594-91011	BRACKET	1							N
		(A=*2008.12)									
30	1	22137-080000	WASHER, 8	3	3	3					
31	1	22157-080000	WASHER, 8	3	3	3					
32	1	23000-013000	CLAMP, 13	2	2	2					
32-1	1	119172-48130	CLIP, HOSE 13	2							N
		(A=*2002.02)									
33	1	23414-100000	GASKET, 10X1.0	2	2	2					
34	1	23414-120000	GASKET, 12X1.0	5	5	5					
35	1	23851-060000	JOINT BOLT 6	2	2	2					
35-1	1	23857-060000	BOLT, JOINT 6	2							R
		(A=*2010.09)									
36	1	23871-010000	PLUG, R01			1	1				
36-1	1	124060-01050	PLUG, PT1/8			1	1				N
		(B=*1996.08) (C=*1996.08)									
36-2	1	23876-010000	PLUG, R01	1	1	1					N
		(B=E50256) (C=E40241)									
37	1	23871-010000	PLUG, R01			1	1				
37-1	1	124060-01050	PLUG, PT1/8			1	1				N
		(B=*1996.08) (C=*1996.08)									
37-2	1	23876-010000	PLUG, R01	1	1	1					N
		(B=E50256) (C=E40241)									
38	1	23871-010000	PLUG, R01			1	1				
38-1	1	124060-01050	PLUG, PT1/8			1	1				N
		(B=*1996.08) (C=*1996.08)									
38-2	1	23876-010000	PLUG, R01	1	1	1					N
		(B=E50256) (C=E40241)									
39	1	129574-77980	HARNESS, WIRE	1	1	1					W 2
		(B=E50275) (C=E40734)									

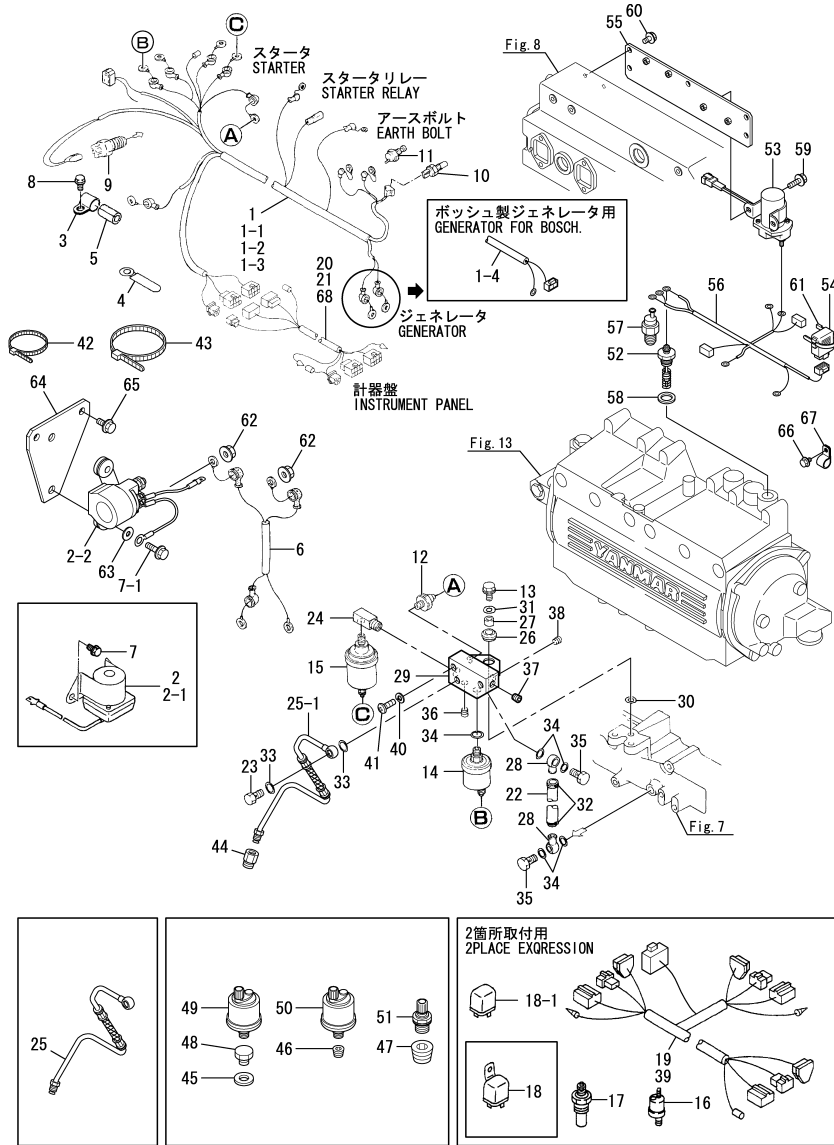
Remarks

- (1)Optional parts.
- (2)Optional parts. 12v
- (3)VDO spec.(Optional parts)
- (4)Interchangeable by simultaneous replacement with No.2-2, 7-1, 63, 64, 65.
- (5)GENERATOR : spec. of HITACHI.
- (6)GENERATOR : spec. of BOSCH.

Fig.36. WIRE HARNESS & SENSOR

(A)=6LYA-STP  
(B)=6LYA-STE  
(C)=6LYA-UTE

(D)=  
(E)=  
(F)=



Remarks

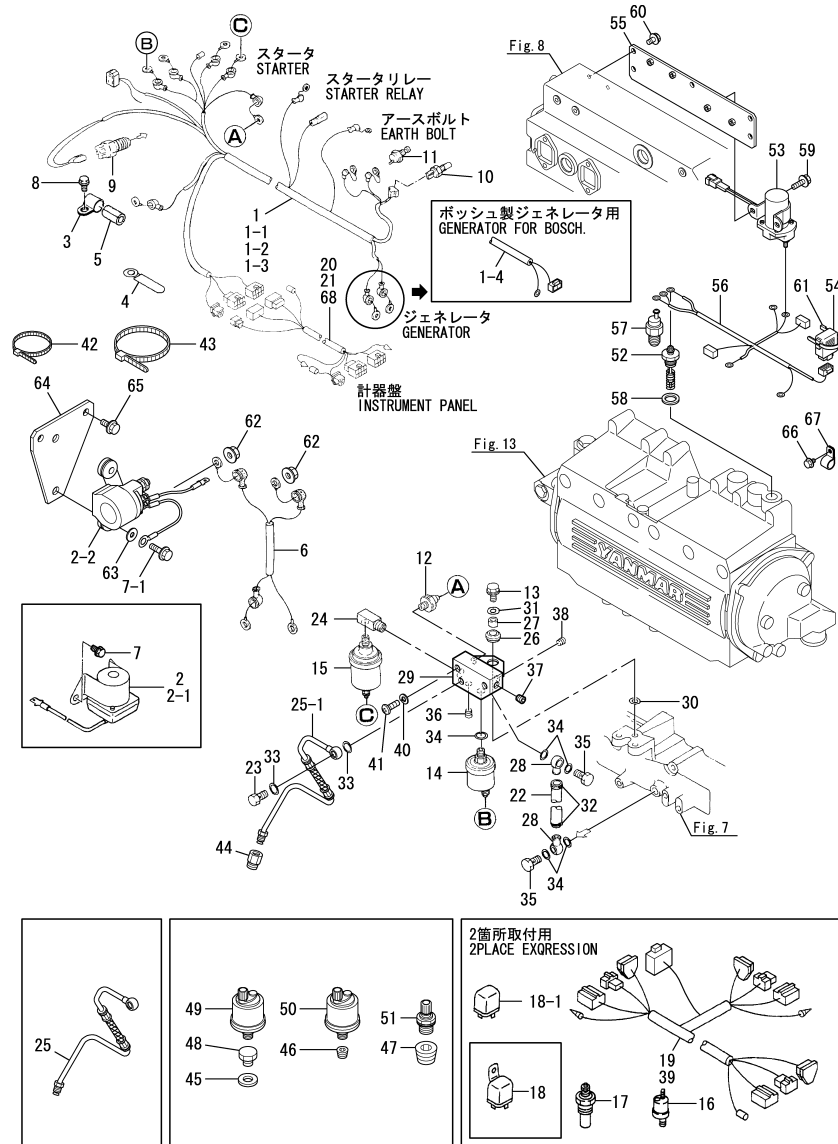
- (1)Optional parts.
- (2)Optional parts. 12v
- (3)VDO spec.(Optional parts)
- (4)Interchangeable by simultaneous replacement with No.2-2, 7-1, 63, 64, 65.
- (5)GENERATOR : spec. of HITACHI.
- (6)GENERATOR : spec. of BOSCH.

No.	Lev.	Parts No.	Description	Q'ty						I	R
				(A)	(B)	(C)	(D)	(E)	(F)		
40	1	22217-050000	WASHER, SPRING 5 (B=E50957) (C=E40533)	1	1	1					W
41	1	26557-050082	SCREW, M5X 8 (B=E50957) (C=E40533)	1	1	1					W
42	1	121750-59890	BAND, 140 (A=E51735) (C=E40938)	4		4					W
43	1	194250-51660	BAND, NYLON (A=E51735) (C=E40938)	2		2					W
44	1	119574-39770	JOINT (B=E50474) (C=E40348)	1	1	1					W
45	1	23414-120000	GASKET, 12X1.0 (B=E51263) (C=E40708)	1	1	1					W 3
46	1	23871-020000	PLUG, R02 (B=E51263) (C=E40708)	1	1	1					W 3
47	1	23871-030000	PLUG, R03 (B=E51263) (C=E40708)	1	1	1					W 3
48	1	23887-120002	PLUG, 12 (B=E51263) (C=E40708)	1	1	1					W 3
49	1	119773-91600	SENDER (B=E51263) (C=E40708)	1	1	1					W 3
50	1	119773-91650	SENSOR (B=E51263) (C=E40708)	1	1	1					W 3
51	1	119773-91700	SENDER (B=E51263) (C=E40708)	1	1	1					W 3
52	1	119575-77050	PLUG (B=E50905) (C=E40492)	2	2	2					W
53	1	119575-77060	RELAY, HEATER (B=E50905) (C=E40492)	1	1	1					W
54	1	119575-77071	CONTROLLER (B=E50905) (C=E40492)	1	1	1					W
55	1	119575-77551	BRACKET (B=E50905) (C=E40492)	1	1	1					W
56	1	119575-77910	HARNESS, WIRE (B=E50905) (C=E40492)	1	1	1					W
56-1	1	119575-77911	HARNESS,HEATER RELAY (A=*2012.08)	1							N
57	1	124616-91370	SWITCH, 42 (B=E50905) (C=E40492)	1	1	1					W
58	1	23414-200000	GASKET, 20X1.0 (B=E50905) (C=E40492)	2	2	2					W
59	1	26106-060122	BOLT, M6X 12 PLATED (B=E50905) (C=E40492)	2	2	2					W
60	1	26106-080142	BOLT, M8X 14 PLATED (B=E50905) (C=E40492)	5	5	5					W
61	1	29622-250001	BAND, RF250 (B=E50905) (C=E40492)	2	2	2					W
62	1	26366-060002	NUT, M6 (B=E50206) (C=E40216)	2	2	2					W
63	1	183350-55130	WASHER (A=*2004.06) (B=*2004.06) (C=*2004.06)	2	2	2					W 4
64	1	119575-77200	BRACKET, RELAY	1	1	1					W 4

# Fig.36. WIRE HARNESS & SENSOR

(A)=6LYA-STP  
(B)=6LYA-STE  
(C)=6LYA-UTE

(D)=  
(E)=  
(F)=

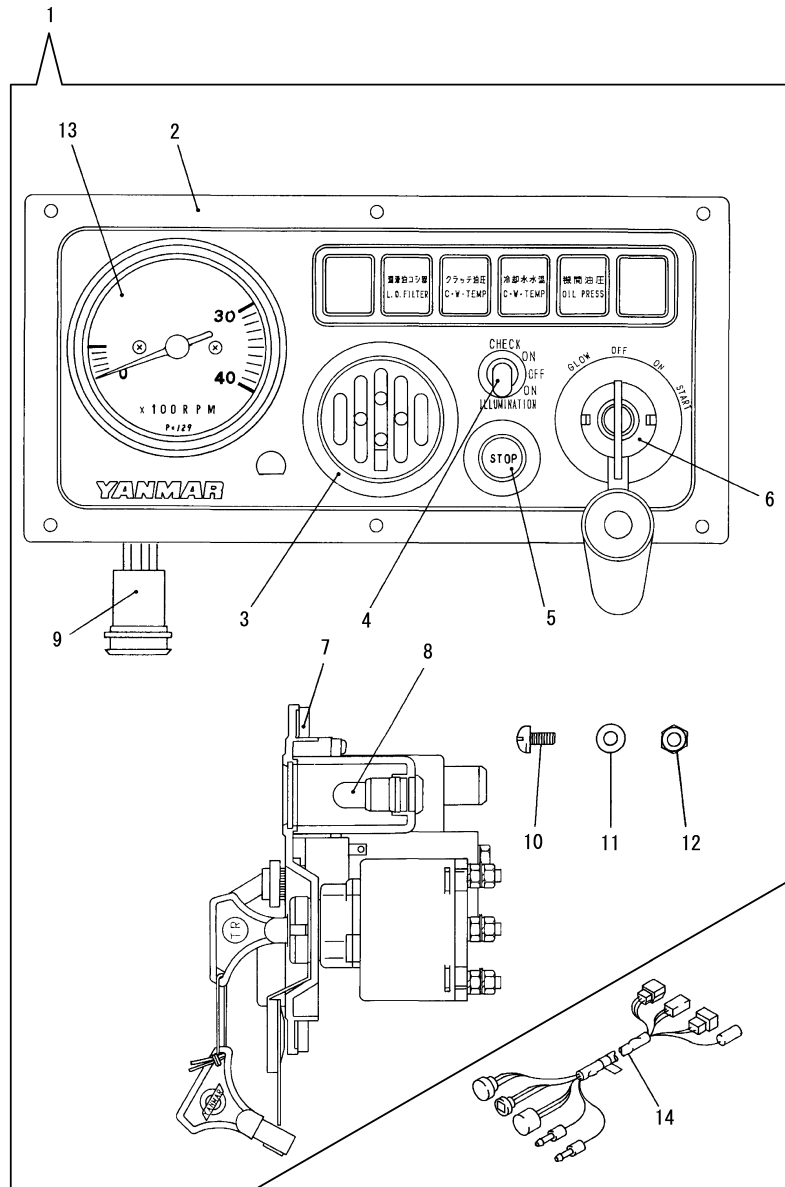


No.	Lev.	Parts No.	Description	Q'ty						I	R	
				(A)	(B)	(C)	(D)	(E)	(F)			
65	1	(A=*2004.06)	(B=*2004.06)	(C=*2004.06)								
		26106-060142	BOLT, M6X 14 PLATED		2	2	2				W	4
		(A=*2004.06)	(B=*2004.06)	(C=*2004.06)								
66	1	26106-080122	BOLT, M8X 12 PLATED	1							W	
67	1	(A=*2009.05)										
		119593-39450	RETAINER		1							W
68	1	(A=*2009.05)										
		129574-77740	HARNES, WIRE 10M		1							W
		(A=*2001.12)										

**Remarks**

- (1)Optional parts.
- (2)Optional parts. 12v
- (3)VDO spec.(Optional parts)
- (4)Interchangeable by simultaneous replacement with No.2-2, 7-1, 63, 64, 65.
- (5)GENERATOR : spec. of HITACHI.
- (6)GENERATOR : spec. of BOSCH.

Fig.37. INSTRUMENT PANEL-B(OPTIONAL)



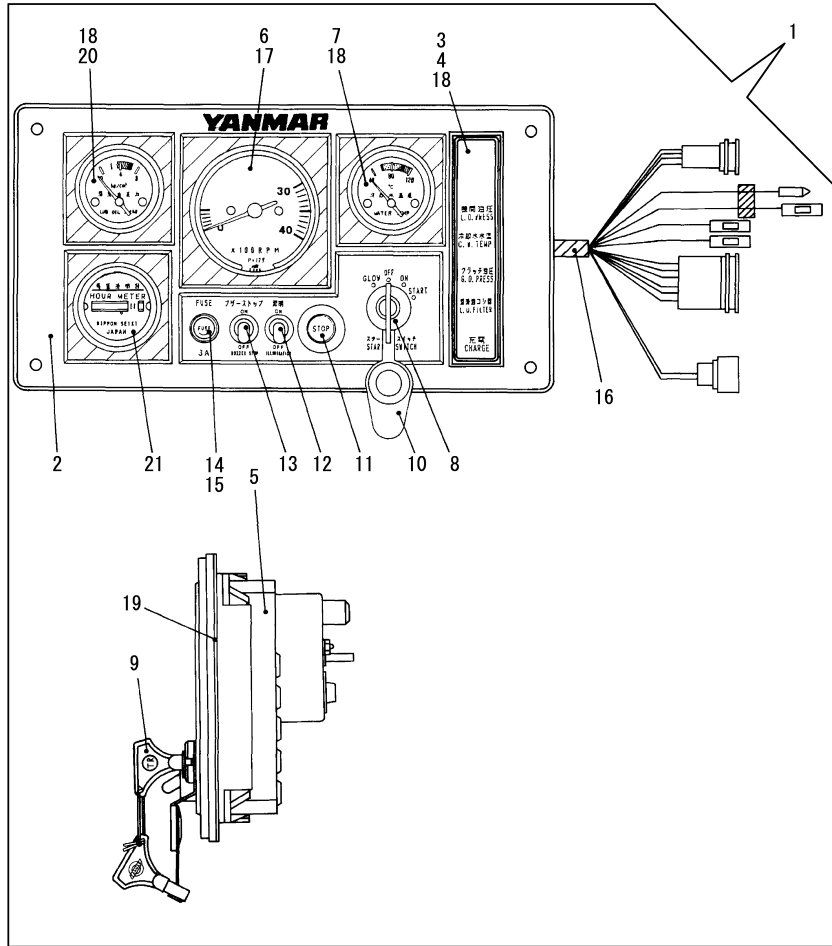
(A)=6LYA-STP  
(B)=6LYA-STE  
(C)=6LYA-UTE

(D)=  
(E)=  
(F)=

No.	Lev.	Parts No.	Description	Q'ty						I	R
				(A)	(B)	(C)	(D)	(E)	(F)		
1	1	127675-91100	PANNEL ASSY	1	1	1					
2	2	124411-91010	BODY, PANEL	1	1	1					
3	2	104271-91352	BUZZER 12V	1	1	1					
4	2	128170-91310	SWITCH	1	1	1					
5	2	129470-91190	SWITCH, STOP	1	1	1					
6	2	121575-91250	SWITCH, KEY	1	1	1					
7	2	128170-91020	GASKET	1	1	1					
8	2	124617-91920	BULB, 12V-3W	4	4	4					
9	2	127675-91660	HARNES, WIRE	1	1	1					
10	2	128170-91810	SCREW, M5X35	6	6	6					
11	2	128170-91820	WASHER, 5	6	6	6					
12	2	128170-91830	NUT, M5	6	6	6					
13	2	127675-91650	TACHOMETER	1	1	1					
14	1	129574-77860	HARNES, WIRE	1	1	1					



Fig.38. INSTRUMENT PANEL-C(OPTIONAL)

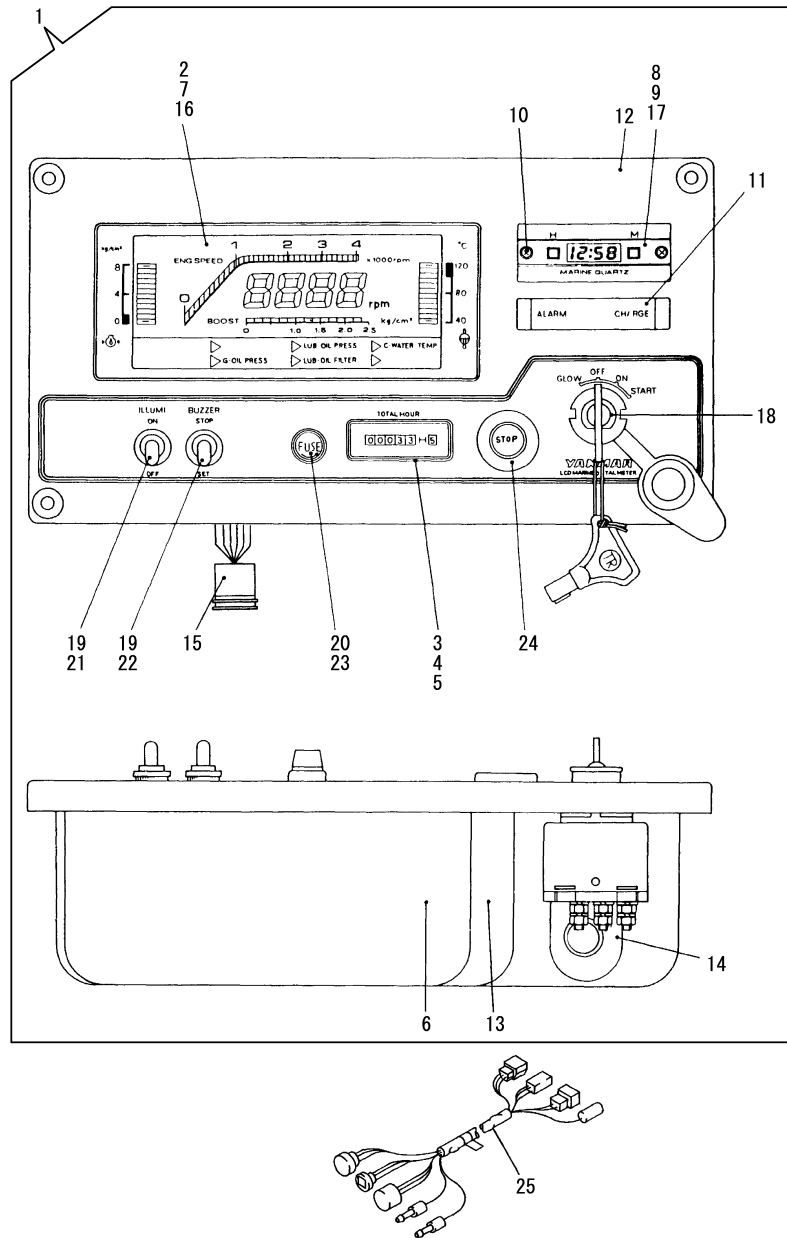


(A)=6LYA-STP  
(B)=6LYA-STE  
(C)=6LYA-UTE

(D)=  
(E)=  
(F)=

No.	Lev.	Parts No.	Description	Q'ty						I	R
				(A)	(B)	(C)	(D)	(E)	(F)		
1	1	127675-91170	PANEL ASSY		1	1					
1-1	1	127675-91171 (B=E50957) (C=E40533)	PANEL ASSY	1	1	1					N
2	2	129470-91180	BODY, PANEL	1	1	1					
3	2	127410-91600	LENS	1	1	1					
4	2	127410-91610	RETAINER	1	1	1					
5	2	127410-91620	BODY	1	1	1					
6	2	127675-91600	TACHOMETER ASSY	1	1	1					
7	2	124617-91840	THERMOMETER, WATER	1	1	1					
8	2	121575-91250	SWITCH, KEY	1	1	1					
9	2	123482-91291	KEY	1	1	1					
10	2	127620-91820	COVER	1	1	1					
11	2	129470-91190	SWITCH, STOP	1	1	1					
12	2	127687-91790	SWITCH	1	1	1					
13	2	128270-91350	BUZZER, ALARM	1	1	1					
14	2	46150-003610	BOX(WITH OUT FUSE	1	1	1					
15	2	46150-003620	FUSE	1	1	1					
16	2	127675-91610	HARNES ASSY, WIRE	1	1	1					
17	2	124617-91920	BULB, 12V-3W	1	1	1					
18	2	194555-55820	BULB, 12V1.7W	7	7	7					
19	2	129470-91200	GASKET	1	1	1					
20	2	129470-91160	GAUGE		1	1					
20-1	2	129470-91161 (B=E50957) (C=E40533)	METER	1	1	1					N
21	2	157854-04300	HOOR METER	1	1	1					
22	1	129574-77860	HARNES, WIRE	1	1	1					

Fig.39. INSTRUMENT PANEL-E(OPTIONAL)



(A)=6LYA-STP  
(B)=6LYA-STE  
(C)=6LYA-UTE

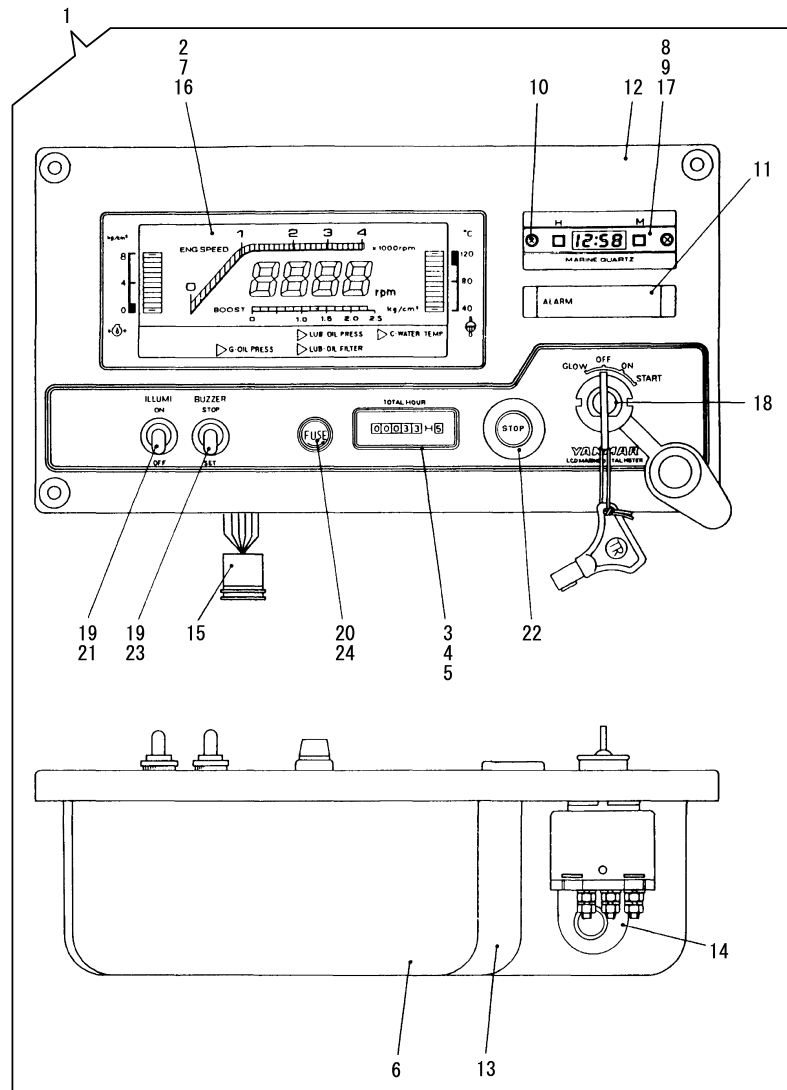
(D)=  
(E)=  
(F)=

No.	Lev.	Parts No.	Description	Q'ty						I	R
				(A)	(B)	(C)	(D)	(E)	(F)		
1	1	127675-91180	PANEL ASSY	1	1	1					
2	2	127675-91210	LCD ASSY	1	1	1					
3	2	120147-91230	HOUR METER	1	1	1					
4	2	22212-040000	SPRING WASHER 4	2	2	2					
5	2	26716-040002	NUT, M4	3	3	3					
6	2	127687-91850	CASE ASSY	1	1	1					
7	2	127687-91860	COVER	1	1	1					
8	2	127687-91240	CLOCK ASSY	1	1	1					
9	2	127687-91250	GASKET	1	1	1					
10	2	127687-91890	SCREW	2	2	2					
11	2	127687-91220	PILOT BOX ASSY	1	1	1					
12	2	127687-91830	BODY ASSY	1	1	1					
13	2	127687-91840	COVER	1	1	1					
14	2	127687-91800	GROMMET	1	1	1					
15	2	127675-91720	HARNES, WIRE	1	1	1					
16	2	124617-91920	BULB, 12V-3W	4	4	4					
17	2	120147-91760	BULB	1	1	1					
18	2	127412-91250	SWITCH, KEY	1	1	1					
19	2	127687-91770	CAP	2	2	2					
20	2	46150-003610	BOX(WITH OUT FUSE	1	1	1					
21	2	127687-91790	SWITCH	1	1	1					
22	2	127687-91780	SWITCH	1	1	1					
23	2	46150-003620	FUSE	1	1	1					
24	2	129470-91190	SWITCH, STOP	1	1	1					
25	1	129574-77860	HARNES, WIRE	1	1	1					

Fig.40. INSTRUMENT PANEL-E2(OPTIONAL)

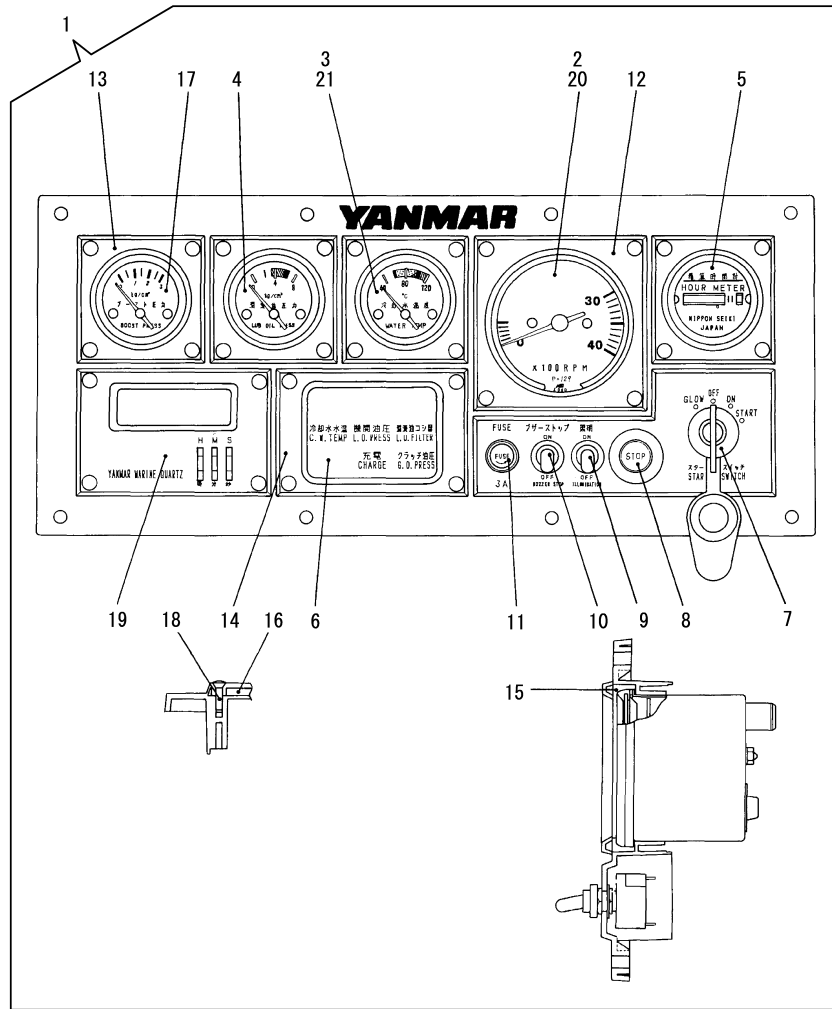
(A)=6LYA-STP  
(B)=6LYA-STE  
(C)=6LYA-UTE

(D)=  
(E)=  
(F)=



No.	Lev.	Parts No.	Description	Q'ty						I	R
				(A)	(B)	(C)	(D)	(E)	(F)		
1	1	127675-91200	PANEL ASSY, E2	1	1	1					
2	2	127675-91220	LCD ASSY	1	1	1					
3	2	120147-91230	HOUR METER	1	1	1					
4	2	22212-040000	SPRING WASHER 4	2	2	2					
5	2	26716-040002	NUT, M4	3	3	3					
6	2	127687-91850	CASE ASSY	1	1	1					
7	2	127687-91860	COVER	1	1	1					
8	2	127687-91240	CLOCK ASSY	1	1	1					
9	2	127687-91250	GASKET	1	1	1					
10	2	127687-91890	SCREW	2	2	2					
11	2	127687-91220	PILOT BOX ASSY	1	1	1					
12	2	127687-91830	BODY ASSY	1	1	1					
13	2	127687-91840	COVER	1	1	1					
14	2	127687-91800	GROMMET	1	1	1					
15	2	127675-91720	HARNES, WIRE	1	1	1					
16	2	124617-91920	BULB, 12V-3W	4	4	4					
17	2	120147-91760	BULB	1	1	1					
18	2	127412-91250	SWITCH, KEY	1	1	1					
19	2	127687-91770	CAP	2	2	2					
20	2	46150-003610	BOX(WITH OUT FUSE	1	1	1					
21	2	127687-91790	SWITCH	1	1	1					
22	2	129470-91190	SWITCH, STOP	1	1	1					
23	2	127687-91780	SWITCH	1	1	1					
24	2	46150-003620	FUSE	1	1	1					

Fig.41. INSTRUMENT PANEL-D(OPTIONAL)



(A)=6LYA-STP  
(B)=6LYA-STE  
(C)=6LYA-UTE

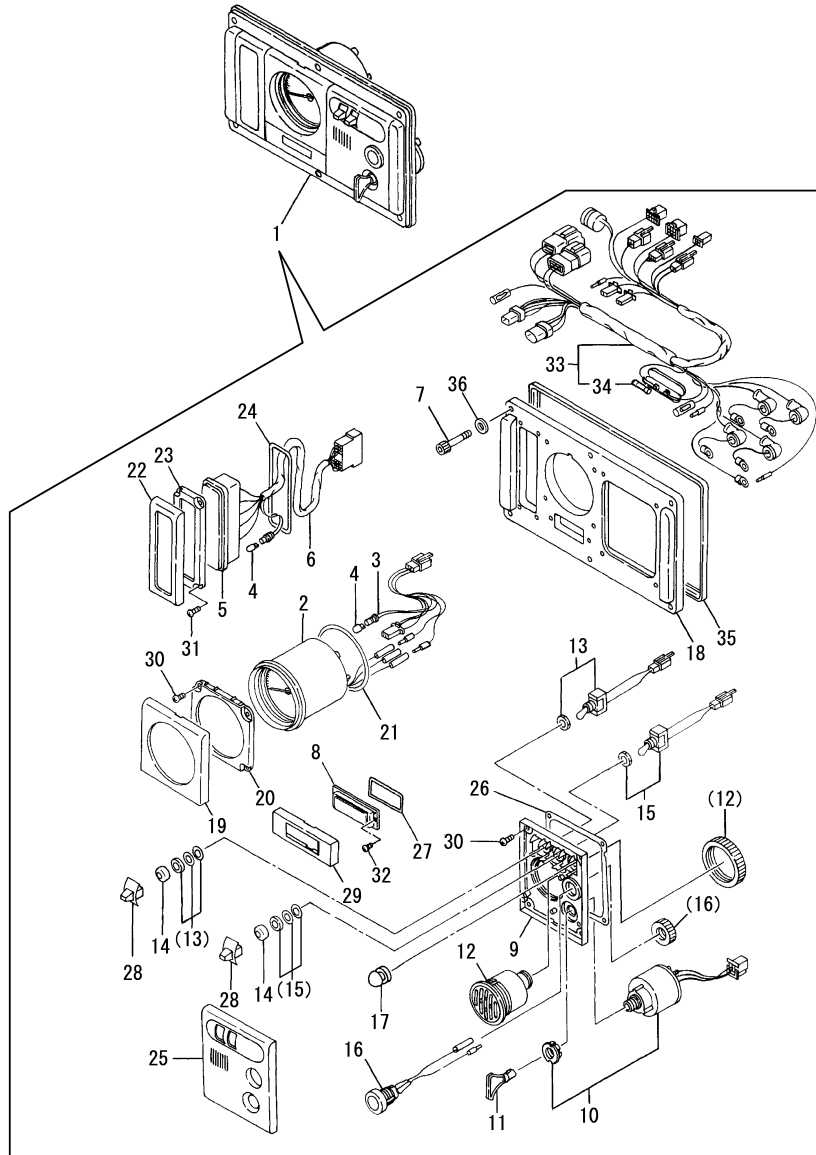
(D)=  
(E)=  
(F)=

No.	Lev.	Parts No.	Description	Q'ty						I	R
				(A)	(B)	(C)	(D)	(E)	(F)		
1	1	127675-91300	PANEL ASSY, D	1	1	1					
2	2	127675-91650	TACHOMETER	1	1	1					
3	2	124617-91840	THERMOMETER, WATER	1	1	1					
4	2	124617-91830	GAUGE	1	1	1					
5	2	124617-91820	METER, HOUR	1	1	1					
6	2	124617-91810	BOX ASSY, PILOT	1	1	1					
7	2	121575-91250	SWITCH, KEY	1	1	1					
8	2	129470-91190	SWITCH, STOP	1	1	1					
9	2	127620-91790	SWITCH	1	1	1					
10	2	127620-91790	SWITCH	1	1	1					
11	2	46150-003610	BOX(WITH OUT FUSE	1	1	1					
12	2	127620-91410	BRACKET	1	1	1					
13	2	127620-91620	BRACKET	4	4	4					
14	2	127620-91730	BRACKET	1	1	1					
15	2	127620-91690	RUBBER	1	1	1					
16	2	127620-91720	GASKET	1	1	1					
17	2	127675-91700	GUAGE, PRESSURE	1	1	1					
18	2	127620-91630	SCREW	28	28	28					
19	2	127620-91240	TIMER	1	1	1					
20	2	124617-91920	BULB, 12V-3W	4	4	4					
21	2	194555-55820	BULB, 12V1.7W	5	5	5					
22	1	129574-77860	HARNES, WIRE	1	1	1					

Fig.42. INSTRUMENT PANEL-B(OPTIONAL)(TO JUL. 1999)

(A)=6LYA-STP  
(B)=6LYA-STE  
(C)=6LYA-UTE

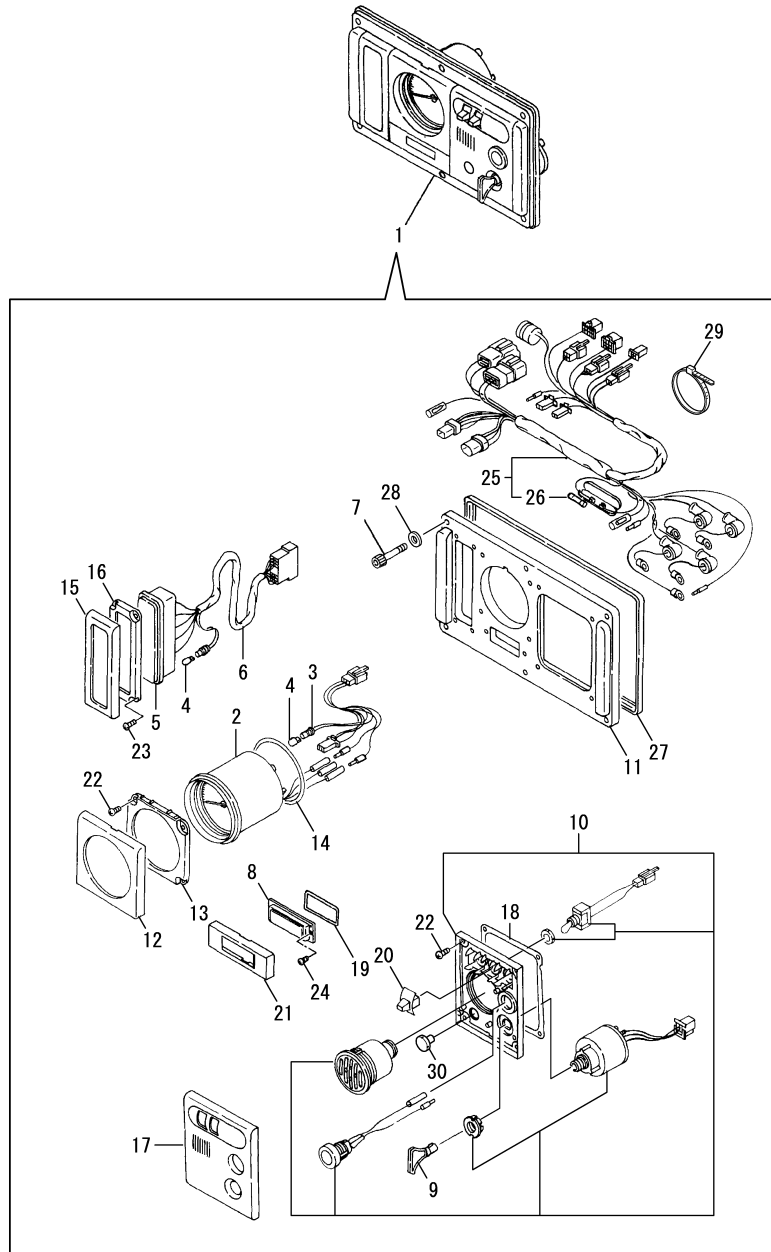
(D)=  
(E)=  
(F)=



No.	Lev.	Parts No.	Description	Q'ty						I	R
				(A)	(B)	(C)	(D)	(E)	(F)		
1	1	119573-91130	PANEL ASSY, INSTRUM (B=E50626) (C=E40408)	1	1						Z
2	2	119573-91200	METER KIT		1	1					
3	2	129574-91870	HARNES, WIRE		1	1					
4	2	124617-91980	BULB, 12V-1.7W		7	7					
5	2	120130-91260	BOX		1	1					
6	2	120130-91860	WIRE		1	1					
7	2	127687-91870	BOLT, M6X35		6	6					
8	2	129170-91650	COVER		1	1					
9	2	129574-91410	BRACKET, SWITCH		1	1					
10	2	121575-91250	SWITCH, KEY		1	1					
11	2	123482-91291	KEY		1	1					
12	2	104271-91352	BUZZER 12V		1	1					
13	2	129170-91800	SWITCH		1	1					
14	2	129574-91780	CAP, RUBBER		2	2					
15	2	129574-91790	SWITCH		1	1					
16	2	129470-91190	SWITCH, STOP		1	1					
17	2	129170-91810	COVER		1	1					
18	2	128391-91930	PANEL		1	1					
19	2	129574-91620	BEZEL		1	1					
20	2	129574-91420	BRACKET		1	1					
21	2	129574-91720	GASKET		1	1					
22	2	128391-91640	BEZEL		1	1					
23	2	128391-91440	PLATE		1	1					
24	2	128391-91740	GASKET		1	1					
25	2	129170-91610	BEZEL		1	1					
26	2	129574-91710	GASKET		1	1					
27	2	129574-91750	GASKET		1	1					
28	2	129574-91770	KNOB		2	2					
29	2	129574-91650	BEZEL		1	1					
30	2	127692-91410	SCREW		8	8					
31	2	127692-91440	SCREW		4	4					
32	2	127692-91450	SCREW		2	2					
33	2	120130-91850	HARNES, WIRE		1	1					
34	3	124617-91990	FUSE		1	1					
35	2	128391-91700	GASKET		1	1					
36	2	127687-91880	WASHER		6	6					W

(B=FROM 1ST) (C=FROM 1ST)

Fig.43. INSTRUMENT PANEL-B(OPTIONAL)(FROM AUG. 1999)



(A)=6LYA-STP  
(B)=6LYA-STE  
(C)=6LYA-UTE

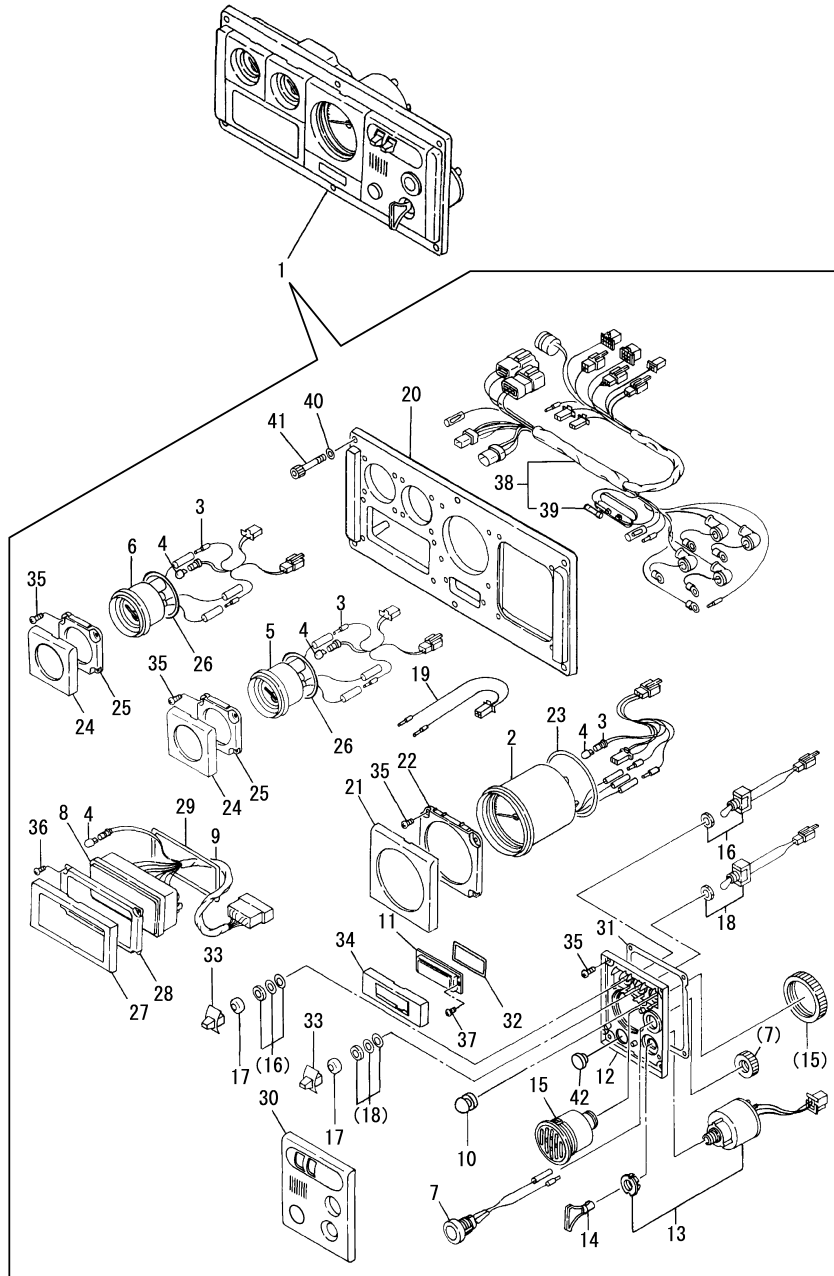
(D)=  
(E)=  
(F)=

No.	Lev.	Parts No.	Description	Q'ty						I	R
				(A)	(B)	(C)	(D)	(E)	(F)		
1	1	119575-91131	PANEL, INSTRUMENT B (B=E50626) (C=E40408)	1	1	1					W
2	2	119573-91200	METER KIT	1	1	1					
3	2	129574-91870	HARNESS, WIRE	1	1	1					
4	2	124617-91980	BULB, 12V-1.7W	7	7	7					
5	2	119575-91261	BOX ASSY, PILOT	1	1	1					
6	2	120130-91860	WIRE	1	1	1					
7	2	127687-91870	BOLT, M6X35	6	6	6					
8	2	129170-91650	COVER	1	1	1					
9	2	123482-91291	KEY	1	1	1					
10	2	129470-91191	BOX ASSY	1	1	1					
11	2	128391-91930	PANEL	1	1	1					
12	2	129574-91620	BEZEL	1	1	1					
13	2	129574-91420	BRACKET	1	1	1					
14	2	129574-91720	GASKET	1	1	1					
15	2	128391-91640	BEZEL	1	1	1					
16	2	128391-91440	PLATE	1	1	1					
17	2	129170-91610	BEZEL	1	1	1					
18	2	129574-91710	GASKET	1	1	1					
19	2	129574-91750	GASKET	1	1	1					
20	2	129574-91770	KNOB	2	2	2					
21	2	129574-91650	BEZEL	1	1	1					
22	2	127692-91410	SCREW	8	8	8					
23	2	127692-91440	SCREW	4	4	4					
24	2	127692-91450	SCREW	2	2	2					
25	2	119575-91851	HARNESS, WIRE	1	1	1					
26	3	124617-91990	FUSE	1	1	1					
27	2	128391-91700	GASKET	1	1	1					
28	2	127687-91880	WASHER	6	6	6					
29	2	198451-78680	CLAMP, CORD	1	1	1					
30	2	129574-91760	COVER	1	1	1					

Fig.44. INSTRUMENT PANEL-C(OPTIONAL)(TO APR. 1998)

(A)=6LYA-STP  
(B)=6LYA-STE  
(C)=6LYA-UTE

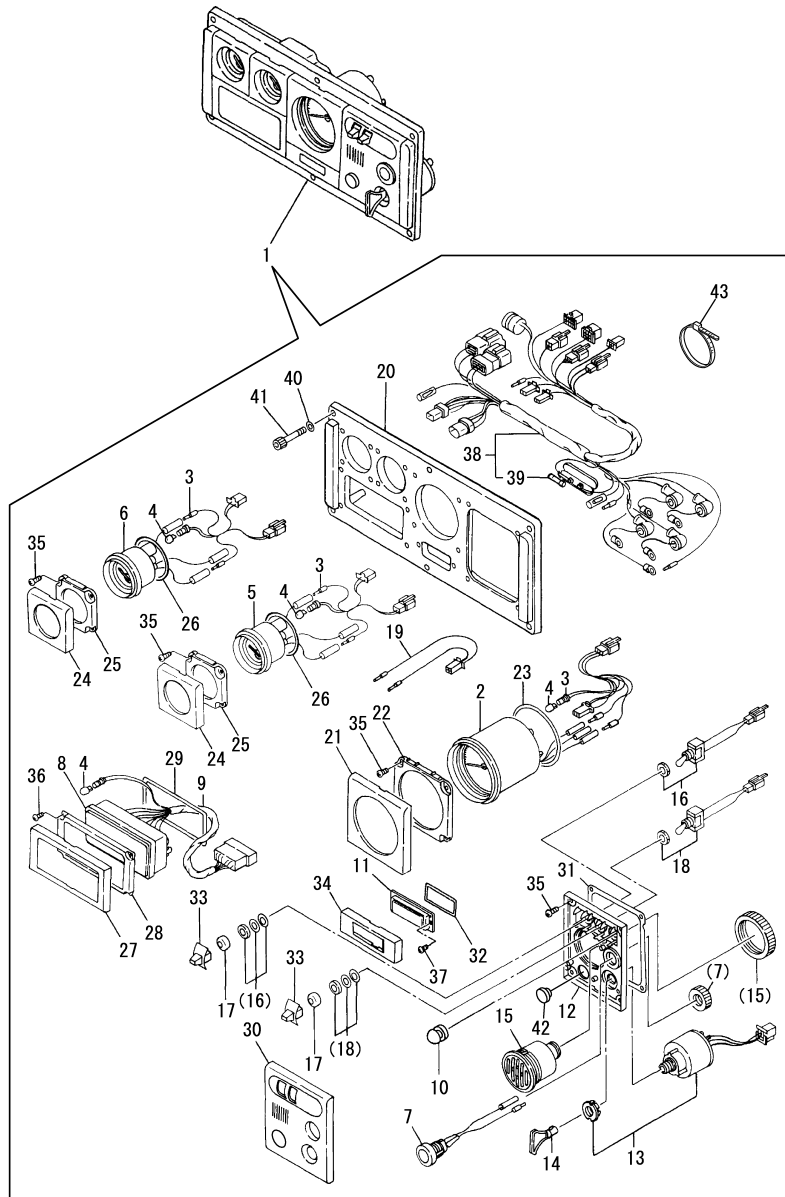
(D)=  
(E)=  
(F)=



No.	Lev.	Parts No.	Description	Q'ty						I	R
				(A)	(B)	(C)	(D)	(E)	(F)		
1	1	127675-91160	PANEL, INSTRUMENT (B=E50484) (C=E40358)	1	1						Z
2	2	119573-91200	METER KIT		1	1					
3	2	129574-91870	HARNES, WIRE		3	3					
4	2	124617-91980	BULB, 12V-1.7W		11	11					
5	2	129574-91210	METER		1	1					
6	2	129574-91220	METER		1	1					
7	2	129470-91190	SWITCH, STOP		1	1					
8	2	129574-91260	BOX		1	1					
8-1	2	119189-91260	BOX, PANEL (B=FROM 1ST) (C=FROM 1ST)		1	1					N
9	2	129574-91860	WIRE		1	1					
10	2	129170-91810	COVER		1	1					
11	2	129170-91650	COVER		1	1					
12	2	129574-91410	BRACKET, SWITCH		1	1					
13	2	121575-91250	SWITCH, KEY		1	1					
14	2	123482-91291	KEY		1	1					
15	2	104271-91352	BUZZER 12V		1	1					
16	2	129170-91800	SWITCH		1	1					
17	2	129574-91780	CAP, RUBBER		2	2					
18	2	129574-91790	SWITCH		1	1					
19	2	129574-91890	HARNES, WIRE		1	1					
20	2	129170-91930	PANEL		1	1					
21	2	129574-91620	BEZEL		1	1					
22	2	129574-91420	BRACKET		1	1					
23	2	129574-91720	GASKET		1	1					
24	2	129574-91630	BEZEL		2	2					
25	2	129574-91430	BRACKET		2	2					
26	2	129574-91730	GASKET		2	2					
27	2	129574-91640	BEZEL		1	1					
28	2	129574-91440	BRACKET		1	1					
29	2	129574-91740	GASKET		1	1					
30	2	129170-91610	BEZEL		1	1					
31	2	129574-91710	GASKET		1	1					
32	2	129574-91750	GASKET		1	1					
33	2	129574-91770	KNOB		2	2					
34	2	129574-91650	BEZEL		1	1					
35	2	127692-91410	SCREW		16	16					
36	2	127692-91440	SCREW		4	4					
37	2	127692-91450	SCREW		2	2					
38	2	129574-91850	HARNES, WIRE		1	1					
39	3	124617-91990	FUSE		1	1					
40	2	127687-91880	WASHER		6	6					
41	2	127687-91870	BOLT, M6X35		6	6					
42	2	129574-91760	COVER		1	1					W

(B=FROM 1ST) (C=FROM 1ST)

Fig.45. INSTRUMENT PANEL-C(OPTIONAL)(TO JUL. 1999)



(A)=6LYA-STP  
(B)=6LYA-STE  
(C)=6LYA-UTE

(D)=  
(E)=  
(F)=

No.	Lev.	Parts No.	Description	Q'ty						I	R
				(A)	(B)	(C)	(D)	(E)	(F)		
1	1	127675-91161 (B=E50484)	PANEL, INSTRUMENT C (C=E40358)	1	1						W
1-1	1	127675-91161 (B=E50905)	PANEL, INSTRUMENT C (C=E40492)	1	1						Z
2	2	119573-91200	METER KIT		1	1					
3	2	129574-91870	HARNES, WIRE		3	3					
4	2	124617-91980	BULB, 12V-1.7W		11	11					
5	2	129574-91210	METER		1	1					
6	2	129574-91220	METER		1	1					
7	2	129470-91190	SWITCH, STOP		1	1					
8	2	119189-91261	BOX, PANEL		1	1					
9	2	129574-91861	WIRE		1	1					
10	2	129170-91810	COVER		1	1					
11	2	129170-91650	COVER		1	1					
12	2	129574-91410	BRACKET, SWITCH		1	1					
13	2	121575-91250	SWITCH, KEY		1	1					
14	2	123482-91291	KEY		1	1					
15	2	104271-91352	BUZZER 12V		1	1					
16	2	129170-91800	SWITCH		1	1					
17	2	129574-91780	CAP, RUBBER		2	2					
18	2	129574-91790	SWITCH		1	1					
19	2	129574-91890	HARNES, WIRE		1	1					
20	2	129170-91930	PANEL		1	1					
21	2	129574-91620	BEZEL		1	1					
22	2	129574-91420	BRACKET		1	1					
23	2	129574-91720	GASKET		1	1					
24	2	129574-91630	BEZEL		2	2					
25	2	129574-91430	BRACKET		2	2					
26	2	129574-91730	GASKET		2	2					
27	2	129574-91640	BEZEL		1	1					
28	2	129574-91440	BRACKET		1	1					
29	2	129574-91740	GASKET		1	1					
30	2	129170-91610	BEZEL		1	1					
31	2	129574-91710	GASKET		1	1					
32	2	129574-91750	GASKET		1	1					
33	2	129574-91770	KNOB		2	2					
34	2	129574-91650	BEZEL		1	1					
35	2	127692-91410	SCREW		16	16					
36	2	127692-91440	SCREW		4	4					
37	2	127692-91450	SCREW		2	2					
38	2	129574-91851	HARNES, WIRE		1	1					
39	3	124617-91990	FUSE		1	1					
40	2	127687-91880	WASHER		6	6					
41	2	127687-91870	BOLT, M6X35		6	6					
42	2	129574-91760	COVER		1	1					
43	2	198451-78680	CLAMP, CORD		2	2					
44	2	129470-91191	BOX ASSY		1	1					1

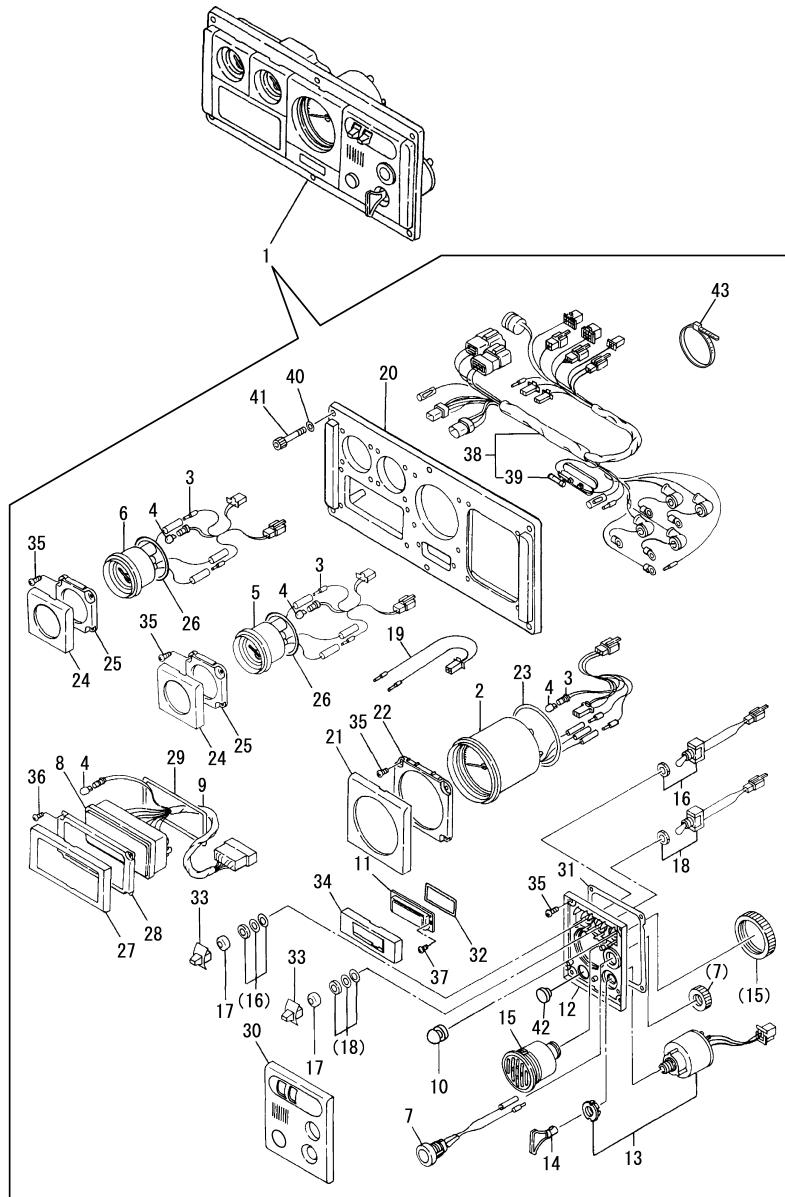
Remarks

(1)Not illustrated.

N:Old  $\begin{matrix} \text{Yes} \\ \text{No} \end{matrix}$  New, Q:Old  $\begin{matrix} \text{No} \\ \text{Yes} \end{matrix}$  New, R:Old  $\begin{matrix} \text{Yes} \\ \text{Yes} \end{matrix}$  New, S:Old  $\begin{matrix} \text{No} \\ \text{No} \end{matrix}$  New, W:Add, Z:Discontinued, F:Interchangeable by set, K:Q'ty Change



Fig.46. INSTRUMENT PANEL-C(OPTIONAL)(TO SEP. 1999)



(A)=6LYA-STP  
(B)=6LYA-STE  
(C)=6LYA-UTE

(D)=  
(E)=  
(F)=

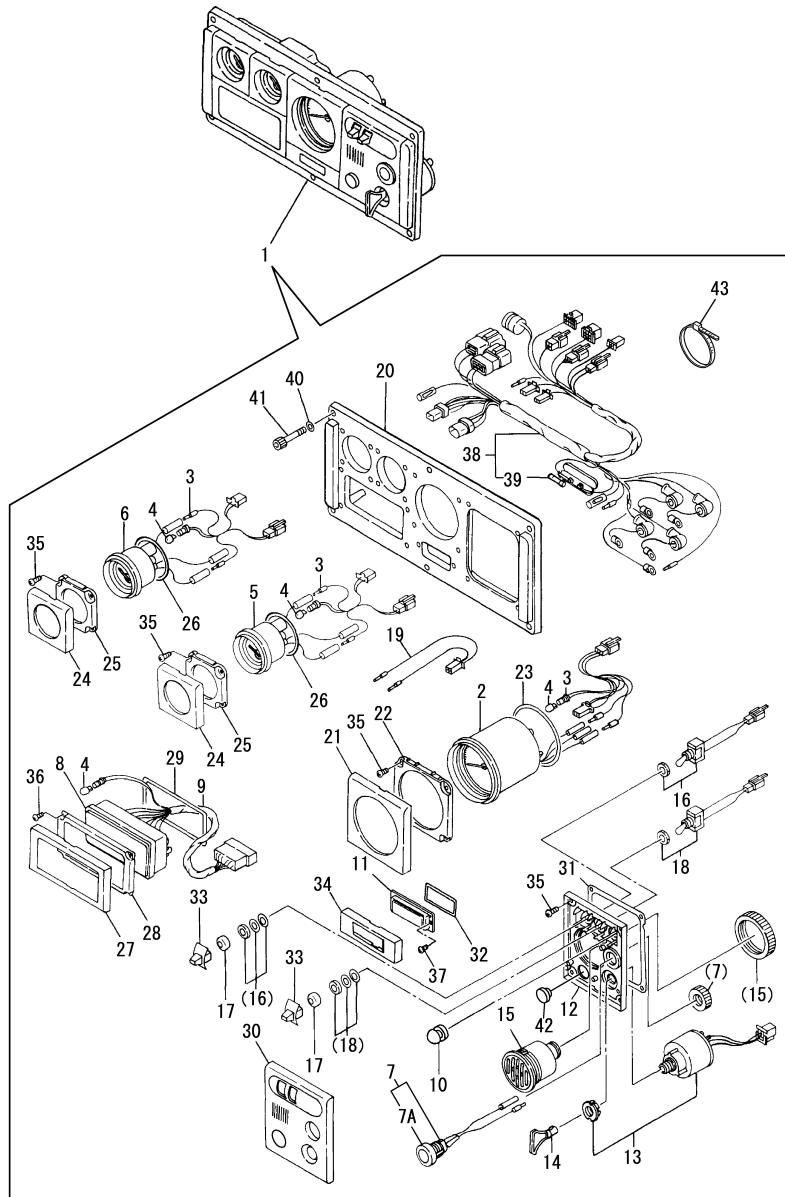
No.	Lev.	Parts No.	Description	Q'ty						I	R
				(A)	(B)	(C)	(D)	(E)	(F)		
1	1	127675-91162	PANEL, INSTRUMENT C (B=E50905) (C=E40492)	1	1						W
1-1	1	127675-91162	PANEL, INSTRUMENT C (B=E50957) (C=E40533)	1	1						Z
2	2	119573-91200	METER KIT		1	1					
3	2	129574-91870	HARNES, WIRE		3	3					
4	2	124617-91980	BULB, 12V-1.7W		12	12					
5	2	129574-91210	METER		1	1					
6	2	129574-91220	METER		1	1					
7	2	129470-91190	SWITCH, STOP		1	1					
8	2	119189-91262	BOX ASSY, PILOT		1	1					
9	2	129574-91862	HARNES, WIRE		1	1					
10	2	129170-91810	COVER		1	1					
11	2	129170-91650	COVER		1	1					
12	2	129574-91410	BRACKET, SWITCH		1	1					
13	2	121575-91250	SWITCH, KEY		1	1					
14	2	123482-91291	KEY		1	1					
15	2	104271-91352	BUZZER 12V		1	1					
16	2	129170-91800	SWITCH		1	1					
17	2	129574-91780	CAP, RUBBER		2	2					
18	2	129574-91790	SWITCH		1	1					
19	2	129574-91890	HARNES, WIRE		1	1					
20	2	129170-91930	PANEL		1	1					
21	2	129574-91620	BEZEL		1	1					
22	2	129574-91420	BRACKET		1	1					
23	2	129574-91720	GASKET		1	1					
24	2	129574-91630	BEZEL		2	2					
25	2	129574-91430	BRACKET		2	2					
26	2	129574-91730	GASKET		2	2					
27	2	129574-91640	BEZEL		1	1					
28	2	129574-91440	BRACKET		1	1					
29	2	129574-91740	GASKET		1	1					
30	2	129170-91610	BEZEL		1	1					
31	2	129574-91710	GASKET		1	1					
32	2	129574-91750	GASKET		1	1					
33	2	129574-91770	KNOB		2	2					
34	2	129574-91650	BEZEL		1	1					
35	2	127692-91410	SCREW		16	16					
36	2	127692-91440	SCREW		4	4					
37	2	127692-91450	SCREW		2	2					
38	2	129574-91852	HARNES, WIRE		1	1					
39	3	124617-91990	FUSE		1	1					
40	2	127687-91880	WASHER		6	6					
41	2	127687-91870	BOLT, M6X35		6	6					
42	2	129574-91760	COVER		1	1					
43	2	198451-78680	CLAMP, CORD		2	2					
44	2	129470-91191	BOX ASSY		1	1					1

Remarks

(1)Not illustrated.

N:Old  $\xrightarrow{\text{Yes}}$  New, Q:Old  $\xrightarrow{\text{No}}$  New, R:Old  $\xrightarrow{\text{Yes}}$  New, S:Old  $\xrightarrow{\text{No}}$  New, W:Add, Z:Discontinued, F:Interchangeable by set, K:Q'ty Change

Fig.47. INSTRUMENT PANEL-C(OPTIONAL)(FROM OCT. 1999)



(A)=6LYA-STP  
(B)=6LYA-STE  
(C)=6LYA-UTE

(D)=  
(E)=  
(F)=

No.	Lev.	Parts No.	Description	Q'ty						I	R
				(A)	(B)	(C)	(D)	(E)	(F)		
1	1	127675-91163	PANEL, INSTRUMENT C (B=E50957) (C=E40533)	1	1	1					W
1-1	1	127675-91164	PANEL, INSTRUMENT C	1							R
		(A=*2002.01)									
2	2	119573-91200	METER KIT	1	1	1					
3	2	129574-91870	HARNES, WIRE	3	3	3					
4	2	124617-91980	BULB, 12V-1.7W	12	12	12					
5	2	129574-91210	METER	1	1	1					
6	2	129574-91221	METER	1	1	1					
6-1	2	129574-91222	METER	1							R
		(A=*2002.01)									
7	2	129470-91190	SWITCH, STOP	1	1	1					
7A	3	129470-91210	CAP, RUBBER STOP	1	1	1					
8	2	119189-91262	BOX ASSY, PILOT	1	1	1					
9	2	129574-91862	HARNES, WIRE	1	1	1					
10	2	129170-91810	COVER	1	1	1					
11	2	129170-91650	COVER	1	1	1					
12	2	129574-91410	BRACKET, SWITCH	1	1	1					
13	2	121575-91250	SWITCH, KEY	1	1	1					
14	2	123482-91291	KEY	1	1	1					
15	2	104271-91352	BUZZER 12V	1	1	1					
16	2	129170-91800	SWITCH	1	1	1					
17	2	129574-91780	CAP, RUBBER	2	2	2					
18	2	129574-91790	SWITCH	1	1	1					
19	2	129574-91890	HARNES, WIRE	1	1	1					
20	2	129170-91930	PANEL	1	1	1					
21	2	129574-91620	BEZEL	1	1	1					
22	2	129574-91420	BRACKET	1	1	1					
23	2	129574-91720	GASKET	1	1	1					
24	2	129574-91630	BEZEL	2	2	2					
25	2	129574-91430	BRACKET	2	2	2					
26	2	129574-91730	GASKET	2	2	2					
27	2	129574-91640	BEZEL	1	1	1					
28	2	129574-91440	BRACKET	1	1	1					
29	2	129574-91740	GASKET	1	1	1					
30	2	129170-91610	BEZEL	1	1	1					
31	2	129574-91710	GASKET	1	1	1					
32	2	129574-91750	GASKET	1	1	1					
33	2	129574-91770	KNOB	2	2	2					
34	2	129574-91650	BEZEL	1	1	1					
35	2	127692-91410	SCREW	16	16	16					
36	2	127692-91440	SCREW	4	4	4					
37	2	127692-91450	SCREW	2	2	2					
38	2	129574-91852	HARNES, WIRE	1	1	1					
39	3	124617-91990	FUSE	1	1	1					
40	2	127687-91880	WASHER	6	6	6					
41	2	127687-91870	BOLT, M6X35	6	6	6					
42	2	129574-91760	COVER	1	1	1					
43	2	198451-78680	CLAMP, CORD	2	2	2					
44	2	129470-91191	BOX ASSY	1	1	1					1

Remarks

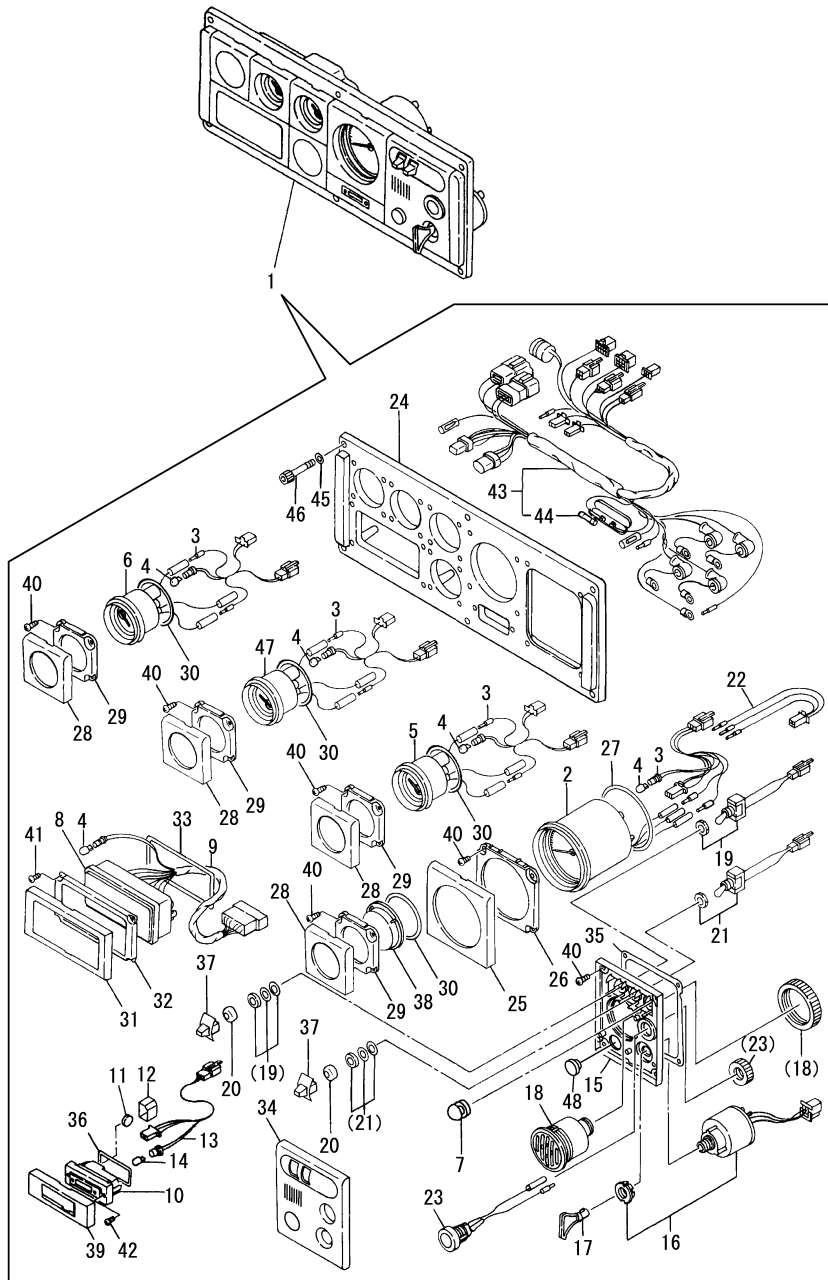
(1)Not illustrated.

N:Old  $\frac{Yes}{No}$  New, Q:Old  $\frac{No}{Yes}$  New, R:Old  $\frac{Yes}{Yes}$  New, S:Old  $\frac{No}{No}$  New, W:Add, Z:Discontinued, F:Interchangeable by set, K:Q'ty Change

Fig.48. INSTRUMENT PANEL-D(OPTIONAL)(TO APR. 1998)

(A)=6LYA-STP  
(B)=6LYA-STE  
(C)=6LYA-UTE

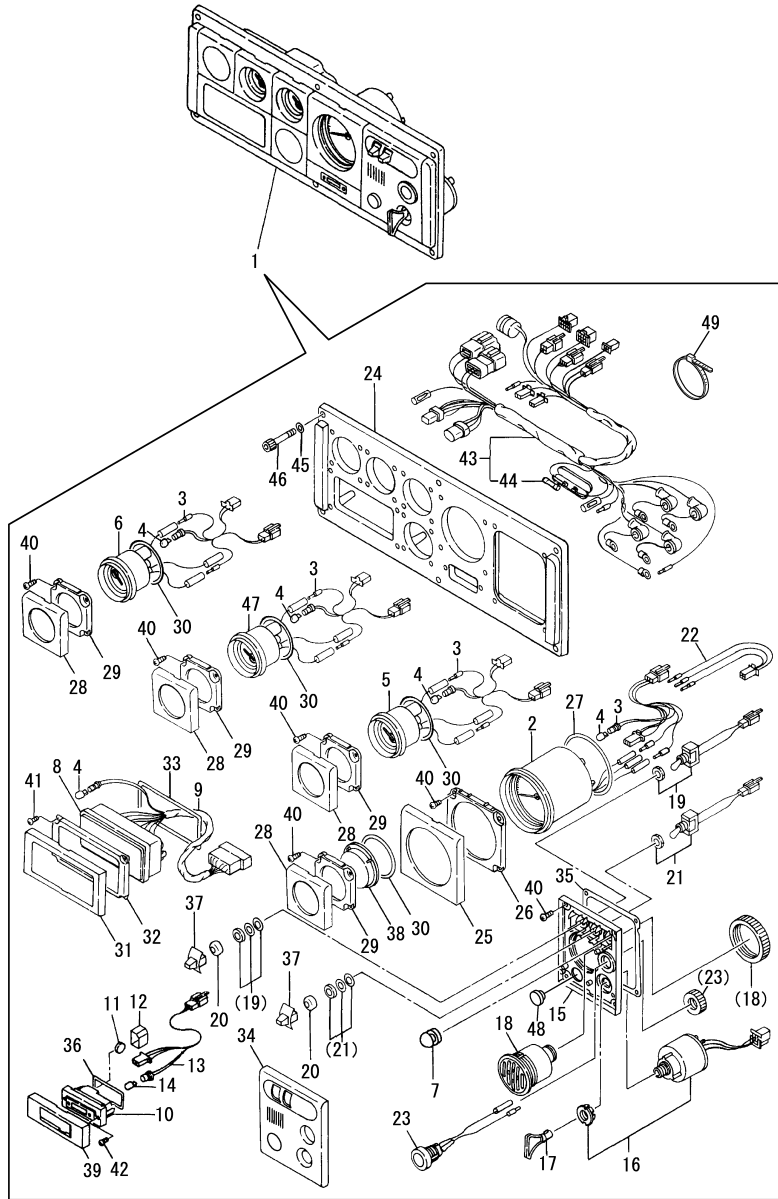
(D)=  
(E)=  
(F)=



No.	Lev.	Parts No.	Description	Q'ty						I	R
				(A)	(B)	(C)	(D)	(E)	(F)		
1	1	127675-91190	PANEL, INSTRUMENT (B=E50484) (C=E40358)	1	1						Z
2	2	119573-91200	METER KIT		1	1					
3	2	129574-91870	HARNES, WIRE		4	4					
4	2	124617-91980	BULB, 12V-1.7W		12	12					
5	2	129574-91210	METER		1	1					
6	2	129574-91310	METER		1	1					
7	2	129170-91810	COVER		1	1					
8	2	129574-91260	BOX		1	1					
8-1	2	119189-91260	BOX, PANEL (B=FROM 1ST) (C=FROM 1ST)		1	1					N
9	2	129574-91860	WIRE		1	1					
10	2	129574-91240	CLOCK		1	1					
11	2	127620-91250	CELL		1	1					
12	2	129574-91490	HOLDER		1	1					
13	2	129574-91880	HARNES, WIRE		1	1					
14	2	120147-91760	BULB		1	1					
15	2	129574-91410	BRACKET, SWITCH		1	1					
16	2	121575-91250	SWITCH, KEY		1	1					
17	2	123482-91291	KEY		1	1					
18	2	104271-91352	BUZZER 12V		1	1					
19	2	129170-91800	SWITCH		1	1					
20	2	129574-91780	CAP, RUBBER		2	2					
21	2	129574-91790	SWITCH		1	1					
22	2	129574-91890	HARNES, WIRE		1	1					
23	2	129470-91190	SWITCH, STOP		1	1					
24	2	129574-91930	PANEL		1	1					
25	2	129574-91620	BEZEL		1	1					
26	2	129574-91420	BRACKET		1	1					
27	2	129574-91720	GASKET		1	1					
28	2	129574-91630	BEZEL		4	4					
29	2	129574-91430	BRACKET		4	4					
30	2	129574-91730	GASKET		4	4					
31	2	129574-91640	BEZEL		1	1					
32	2	129574-91440	BRACKET		1	1					
33	2	129574-91740	GASKET		1	1					
34	2	129170-91610	BEZEL		1	1					
35	2	129574-91710	GASKET		1	1					
36	2	129574-91750	GASKET		1	1					
37	2	129574-91770	KNOB		2	2					
38	2	129574-91600	COVER		1	1					
39	2	129574-91650	BEZEL		1	1					
40	2	127692-91410	SCREW		24	24					
41	2	127692-91440	SCREW		4	4					
42	2	127692-91450	SCREW		2	2					
43	2	129574-91850	HARNES, WIRE		1	1					
44	3	124617-91990	FUSE		1	1					
45	2	127687-91880	WASHER		6	6					
46	2	127687-91870	BOLT, M6X35		6	6					
47	2	129574-91220	METER		1	1					
48	2	129574-91760	COVER		1	1					W



Fig.49. INSTRUMENT PANEL-D)(OPTIONAL)(TO JUL. 1999)



(A)=6LYA-STP  
(B)=6LYA-STE  
(C)=6LYA-UTE

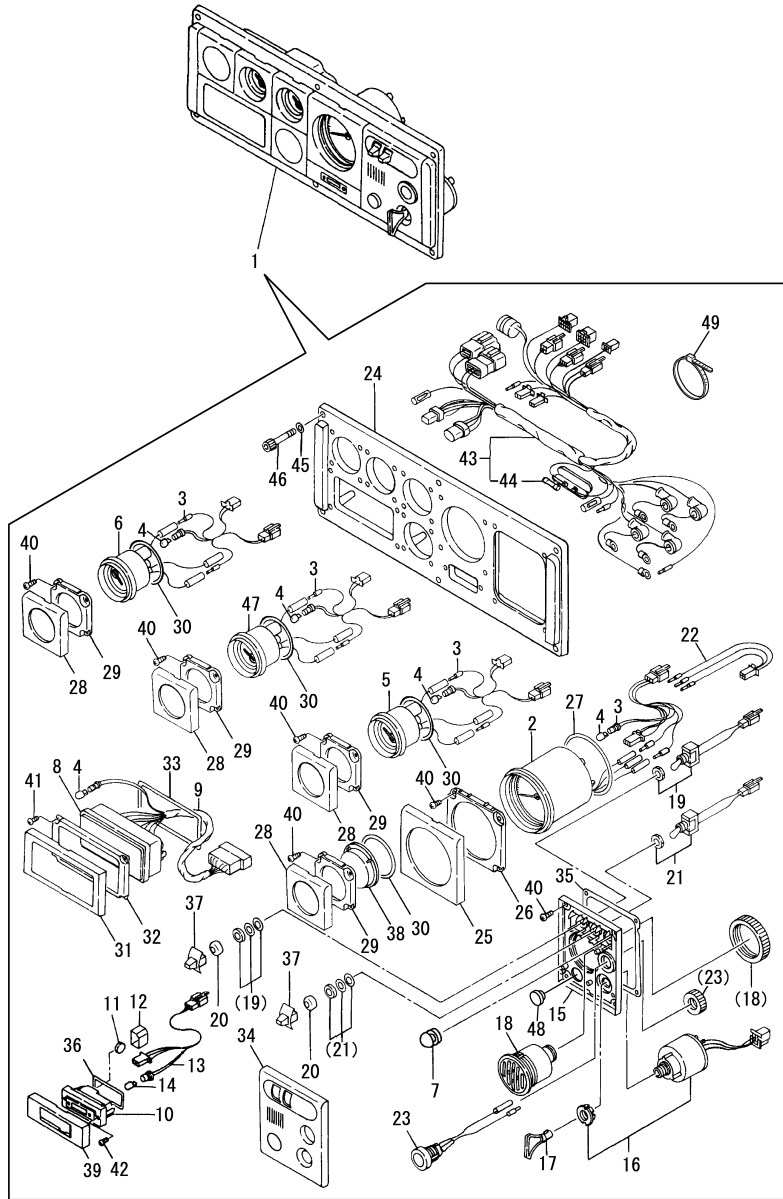
(D)=  
(E)=  
(F)=

No.	Lev.	Parts No.	Description	Q'ty						I	R
				(A)	(B)	(C)	(D)	(E)	(F)		
1	1	127675-91191	PANEL, INSTRUMENT D (B=E50484) (C=E40358)	1	1						W
1-1	1	127675-91191	PANEL, INSTRUMENT D (B=E50905) (C=E40492)	1	1						Z
2	2	119573-91200	METER KIT		1	1					
3	2	129574-91870	HARNES, WIRE		4	4					
4	2	124617-91980	BULB, 12V-1.7W		12	12					
5	2	129574-91210	METER		1	1					
6	2	129574-91310	METER		1	1					
7	2	129170-91810	COVER		1	1					
8	2	119189-91261	BOX, PANEL		1	1					
9	2	129574-91861	WIRE		1	1					
10	2	129574-91240	CLOCK		1	1					
11	2	127620-91250	CELL		1	1					
12	2	129574-91490	HOLDER		1	1					
13	2	129574-91880	HARNES, WIRE		1	1					
14	2	120147-91760	BULB		1	1					
15	2	129574-91410	BRACKET, SWITCH		1	1					
16	2	121575-91250	SWITCH, KEY		1	1					
17	2	123482-91291	KEY		1	1					
18	2	104271-91352	BUZZER 12V		1	1					
19	2	129170-91800	SWITCH		1	1					
20	2	129574-91780	CAP, RUBBER		2	2					
21	2	129574-91790	SWITCH		1	1					
22	2	129574-91890	HARNES, WIRE		1	1					
23	2	129470-91190	SWITCH, STOP		1	1					
24	2	129574-91930	PANEL		1	1					
25	2	129574-91620	BEZEL		1	1					
26	2	129574-91420	BRACKET		1	1					
27	2	129574-91720	GASKET		1	1					
28	2	129574-91630	BEZEL		4	4					
29	2	129574-91430	BRACKET		4	4					
30	2	129574-91730	GASKET		4	4					
31	2	129574-91640	BEZEL		1	1					
32	2	129574-91440	BRACKET		1	1					
33	2	129574-91740	GASKET		1	1					
34	2	129170-91610	BEZEL		1	1					
35	2	129574-91710	GASKET		1	1					
36	2	129574-91750	GASKET		1	1					
37	2	129574-91770	KNOB		2	2					
38	2	129574-91600	COVER		1	1					
39	2	129574-91650	BEZEL		1	1					
40	2	127692-91410	SCREW		24	24					
41	2	127692-91440	SCREW		4	4					
42	2	127692-91450	SCREW		2	2					
43	2	129574-91851	HARNES, WIRE		1	1					
44	3	124617-91990	FUSE		1	1					
45	2	127687-91880	WASHER		6	6					
46	2	127687-91870	BOLT, M6X35		6	6					
47	2	129574-91220	METER		1	1					
48	2	129574-91760	COVER		1	1					

Remarks

(1)Not illustrated.

Fig.49. INSTRUMENT PANEL-D)(OPTIONAL)(TO JUL. 1999)



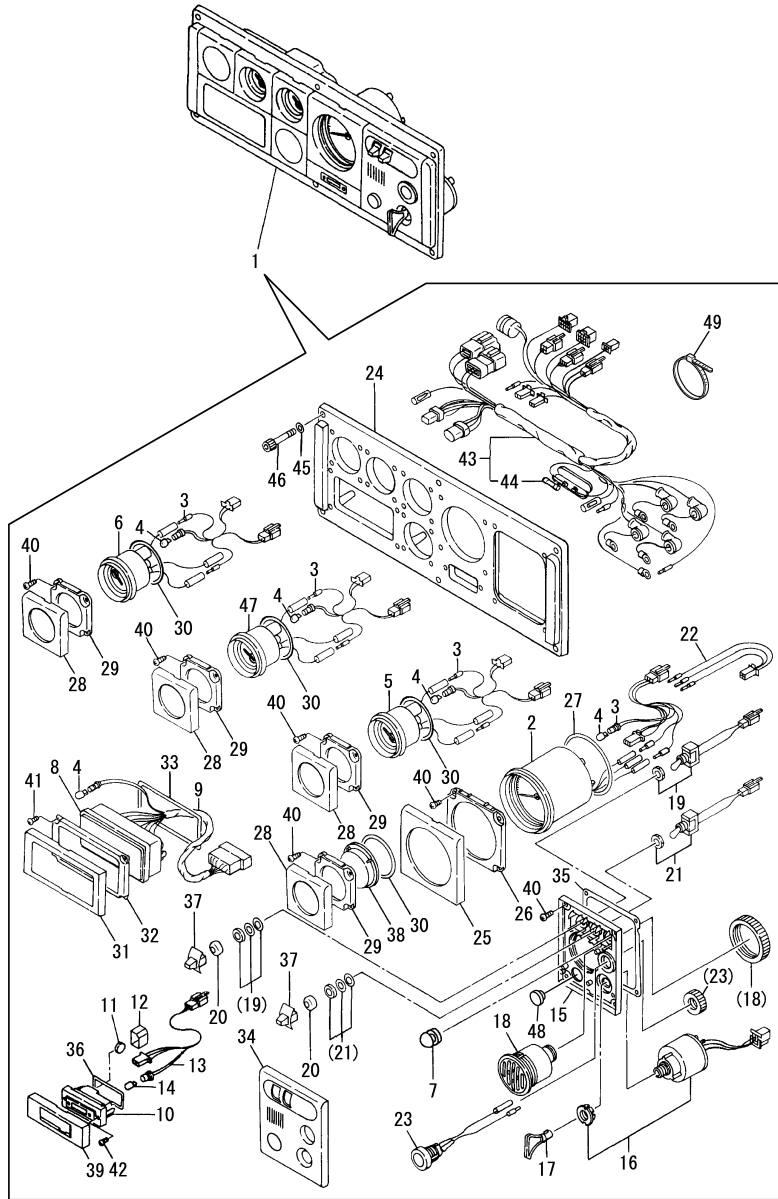
(A)=6LYA-STP  
(B)=6LYA-STE  
(C)=6LYA-UTE

(D)=  
(E)=  
(F)=

No.	Lev.	Parts No.	Description	Q'ty						I	R
				(A)	(B)	(C)	(D)	(E)	(F)		
49	2	198451-78680	CLAMP, CORD		3	3					
50	2	129470-91191	BOX ASSY		1	1					1

Remarks  
(1)Not illustrated.

Fig.50. INSTRUMENT PANEL-D(OPTIONAL)(TO SEP. 1999)



(A)=6LYA-STP  
(B)=6LYA-STE  
(C)=6LYA-UTE

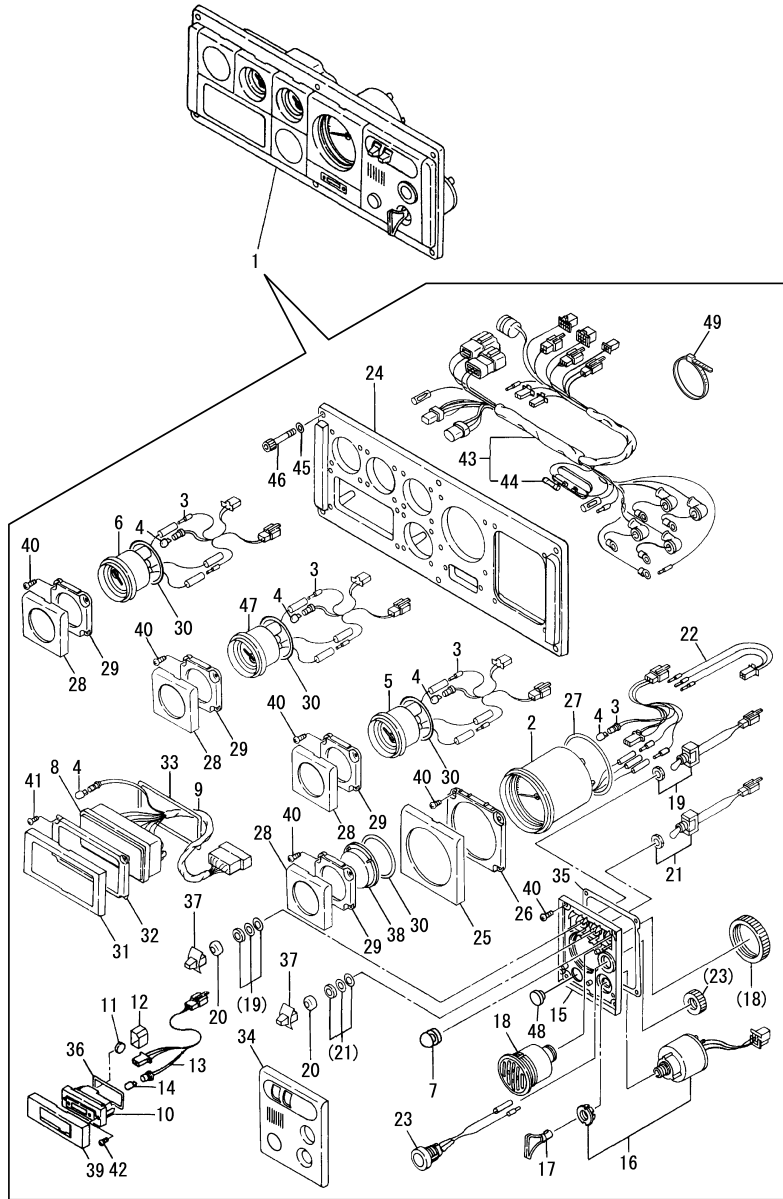
(D)=  
(E)=  
(F)=

No.	Lev.	Parts No.	Description	Q'ty						I	R
				(A)	(B)	(C)	(D)	(E)	(F)		
1	1	127675-91192	PANEL, INSTRUMENT D (B=E50905) (C=E40492)	1	1						W
1-1	1	127675-91192	PANEL, INSTRUMENT D (B=E50957) (C=E40533)	1	1						Z
2	2	119573-91200	METER KIT		1	1					
3	2	129574-91870	HARNES, WIRE		4	4					
4	2	124617-91980	BULB, 12V-1.7W		13	13					
5	2	129574-91210	METER		1	1					
6	2	129574-91310	METER		1	1					
7	2	129170-91810	COVER		1	1					
8	2	119189-91262	BOX ASSY, PILOT		1	1					
9	2	129574-91862	HARNES, WIRE		1	1					
10	2	129574-91240	CLOCK		1	1					
11	2	127620-91250	CELL		1	1					
12	2	129574-91490	HOLDER		1	1					
13	2	129574-91880	HARNES, WIRE		1	1					
14	2	120147-91760	BULB		1	1					
15	2	129574-91410	BRACKET, SWITCH		1	1					
16	2	121575-91250	SWITCH, KEY		1	1					
17	2	123482-91291	KEY		1	1					
18	2	104271-91352	BUZZER 12V		1	1					
19	2	129170-91800	SWITCH		1	1					
20	2	129574-91780	CAP, RUBBER		2	2					
21	2	129574-91790	SWITCH		1	1					
22	2	129574-91890	HARNES, WIRE		1	1					
23	2	129470-91190	SWITCH, STOP		1	1					
24	2	129574-91930	PANEL		1	1					
25	2	129574-91620	BEZEL		1	1					
26	2	129574-91420	BRACKET		1	1					
27	2	129574-91720	GASKET		1	1					
28	2	129574-91630	BEZEL		4	4					
29	2	129574-91430	BRACKET		4	4					
30	2	129574-91730	GASKET		4	4					
31	2	129574-91640	BEZEL		1	1					
32	2	129574-91440	BRACKET		1	1					
33	2	129574-91740	GASKET		1	1					
34	2	129170-91610	BEZEL		1	1					
35	2	129574-91710	GASKET		1	1					
36	2	129574-91750	GASKET		1	1					
37	2	129574-91770	KNOB		2	2					
38	2	129574-91600	COVER		1	1					
39	2	129574-91650	BEZEL		1	1					
40	2	127692-91410	SCREW		24	24					
41	2	127692-91440	SCREW		4	4					
42	2	127692-91450	SCREW		2	2					
43	2	129574-91852	HARNES, WIRE		1	1					
44	3	124617-91990	FUSE		1	1					
45	2	127687-91880	WASHER		6	6					
46	2	127687-91870	BOLT, M6X35		6	6					
47	2	129574-91220	METER		1	1					
48	2	129574-91760	COVER		1	1					

Remarks

(1)Not illustrated.

Fig.50. INSTRUMENT PANEL-D(OPTIONAL)(TO SEP. 1999)



(A)=6LYA-STP  
 (B)=6LYA-STE  
 (C)=6LYA-UTE

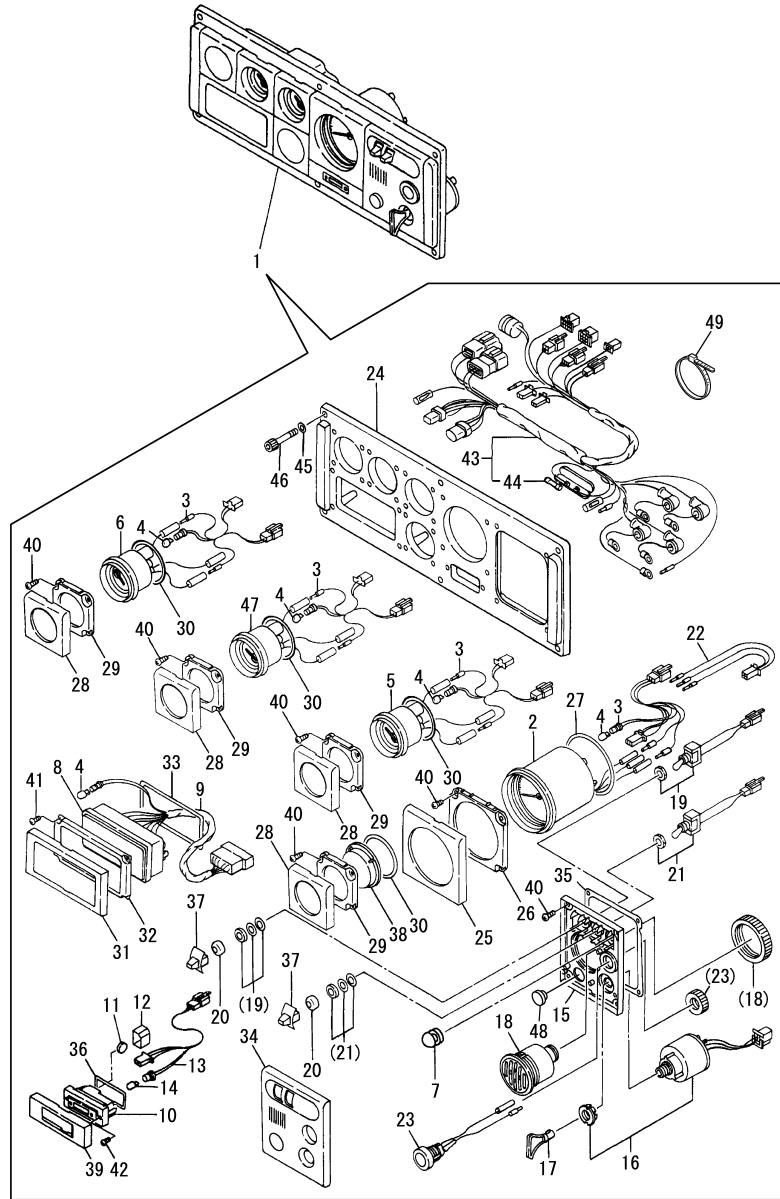
(D)=  
 (E)=  
 (F)=

No.	Lev.	Parts No.	Description	Q'ty						I	R
				(A)	(B)	(C)	(D)	(E)	(F)		
49	2	198451-78680	CLAMP, CORD		3	3					
50	2	129470-91191	BOX ASSY		1	1					1

Remarks  
 (1)Not illustrated.



Fig.51. INSTRUMENT PANEL-D(OPTIONAL)(FROM OCT. 1999)



(A)=6LYA-STP  
(B)=6LYA-STE  
(C)=6LYA-UTE

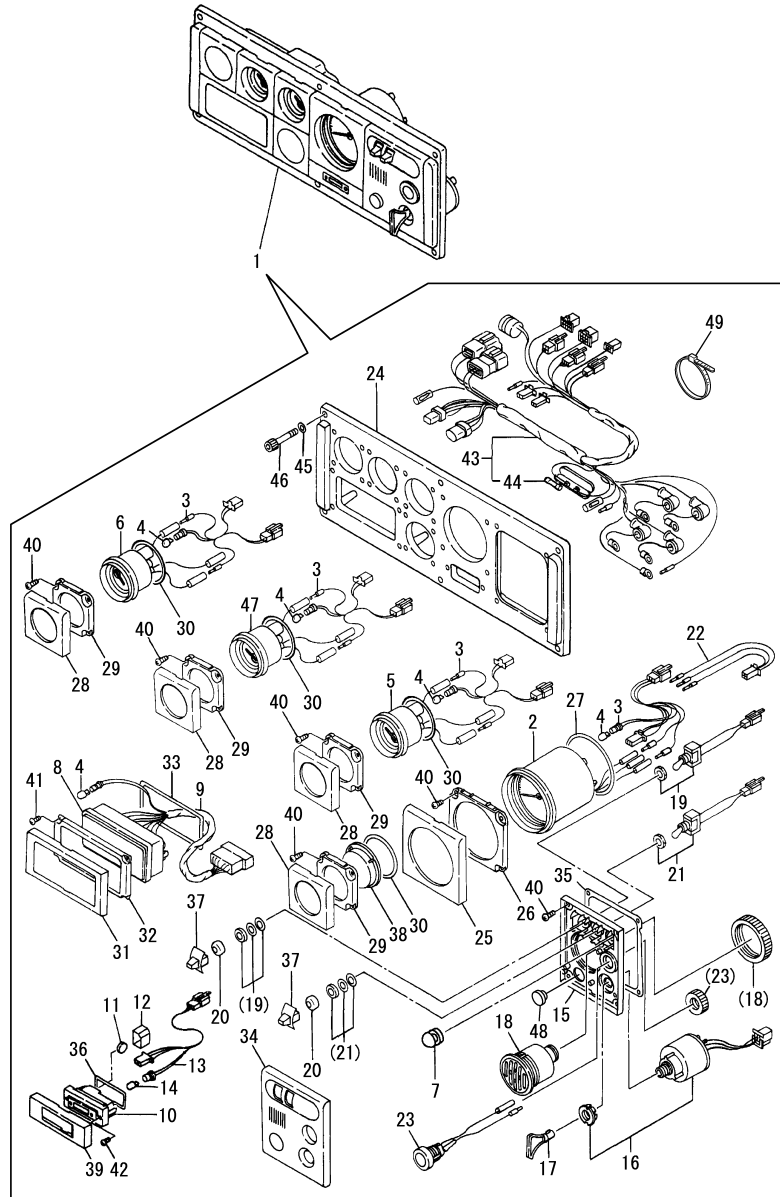
(D)=  
(E)=  
(F)=

No.	Lev.	Parts No.	Description	Q'ty						I	R
				(A)	(B)	(C)	(D)	(E)	(F)		
1	1	127675-91193	PANEL, INSTRUMENT D (B=E50957) (C=E40533)	1	1	1					W
1-1	1	127675-91194	PANEL, INSTRUMENT D	1							N
		(A=*2002.01)									
2	2	119573-91200	METER KIT	1	1	1					
3	2	129574-91870	HARNASS, WIRE	4	4	4					
4	2	124617-91980	BULB, 12V-1.7W	13	13	13					
5	2	129574-91210	METER	1	1	1					
6	2	129574-91311	METER	1	1	1					
7	2	129170-91810	COVER	1	1	1					
8	2	119189-91262	BOX ASSY, PILOT	1	1	1					
9	2	129574-91862	HARNASS, WIRE	1	1	1					
10	2	129574-91240	CLOCK	1	1	1					
11	2	127620-91250	CELL	1	1	1					
12	2	129574-91490	HOLDER	1	1	1					
13	2	129574-91880	HARNASS, WIRE	1	1	1					
14	2	120147-91760	BULB	1	1	1					
15	2	129574-91410	BRACKET, SWITCH	1	1	1					
16	2	121575-91250	SWITCH, KEY	1	1	1					
17	2	123482-91291	KEY	1	1	1					
18	2	104271-91352	BUZZER 12V	1	1	1					
19	2	129170-91800	SWITCH	1	1	1					
20	2	129574-91780	CAP, RUBBER	2	2	2					
21	2	129574-91790	SWITCH	1	1	1					
22	2	129574-91890	HARNASS, WIRE	1	1	1					
23	2	129470-91190	SWITCH, STOP	1	1	1					
24	2	129574-91930	PANEL	1	1	1					
25	2	129574-91620	BEZEL	1	1	1					
26	2	129574-91420	BRACKET	1	1	1					
27	2	129574-91720	GASKET	1	1	1					
28	2	129574-91630	BEZEL	4	4	4					
29	2	129574-91430	BRACKET	4	4	4					
30	2	129574-91730	GASKET	4	4	4					
31	2	129574-91640	BEZEL	1	1	1					
32	2	129574-91440	BRACKET	1	1	1					
33	2	129574-91740	GASKET	1	1	1					
34	2	129170-91610	BEZEL	1	1	1					
35	2	129574-91710	GASKET	1	1	1					
36	2	129574-91750	GASKET	1	1	1					
37	2	129574-91770	KNOB	2	2	2					
38	2	129574-91600	COVER	1	1	1					
39	2	129574-91650	BEZEL	1	1	1					
40	2	127692-91410	SCREW	24	24	24					
41	2	127692-91440	SCREW	4	4	4					
42	2	127692-91450	SCREW	2	2	2					
43	2	129574-91852	HARNASS, WIRE	1	1	1					
44	3	124617-91990	FUSE	1	1	1					
45	2	127687-91880	WASHER	6	6	6					
46	2	127687-91870	BOLT, M6X35	6	6	6					
47	2	129574-91221	METER	1	1	1					
47-1	2	129574-91222	METER	1							N

Remarks

(1)Not illustrated.

Fig.51. INSTRUMENT PANEL-D(OPTIONAL)(FROM OCT. 1999)



(A)=6LYA-STP  
(B)=6LYA-STE  
(C)=6LYA-UTE

(D)=  
(E)=  
(F)=

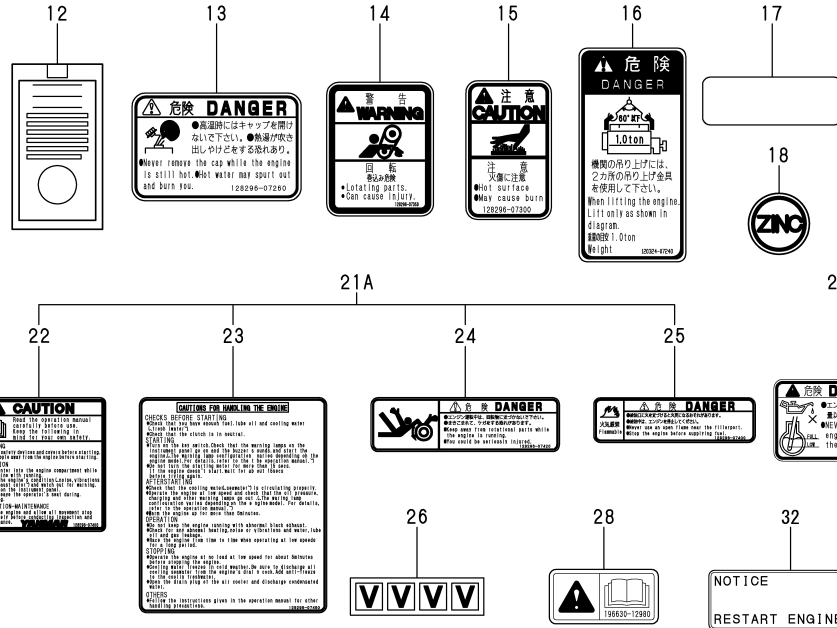
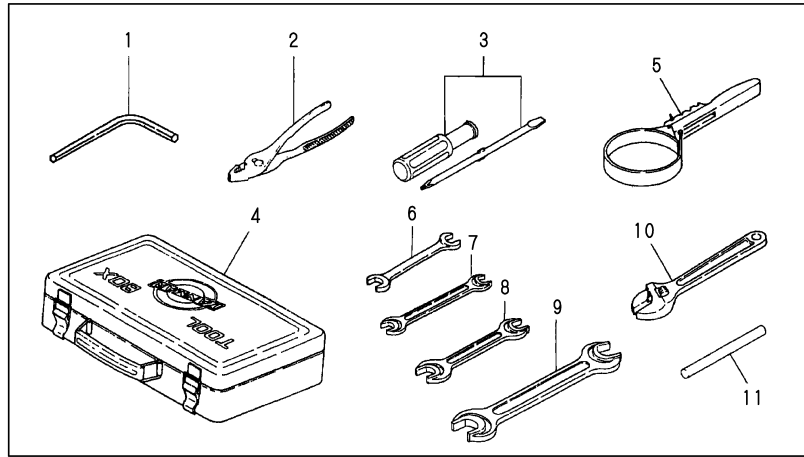
No.	Lev.	Parts No.	Description	Q'ty						I	R
				(A)	(B)	(C)	(D)	(E)	(F)		
(A=*2002.01)											
48	2	129574-91760	COVER	1	1	1					
49	2	198451-78680	CLAMP, CORD	3	3	3					
50	2	129470-91191	BOX ASSY	1	1	1					1

Remarks

(1)Not illustrated.

N:Old  $\xrightarrow{\text{Yes}}$  New, Q:Old  $\xrightarrow{\text{No}}$  New, R:Old  $\xrightarrow{\text{Yes}}$  New, S:Old  $\xrightarrow{\text{No}}$  New, W:Add, Z:Discontinued, F:Interchangeable by set, K:Q'ty Change

Fig.52. TOOL & LABEL



(A)=6LYA-STP  
(B)=6LYA-STE  
(C)=6LYA-UTE

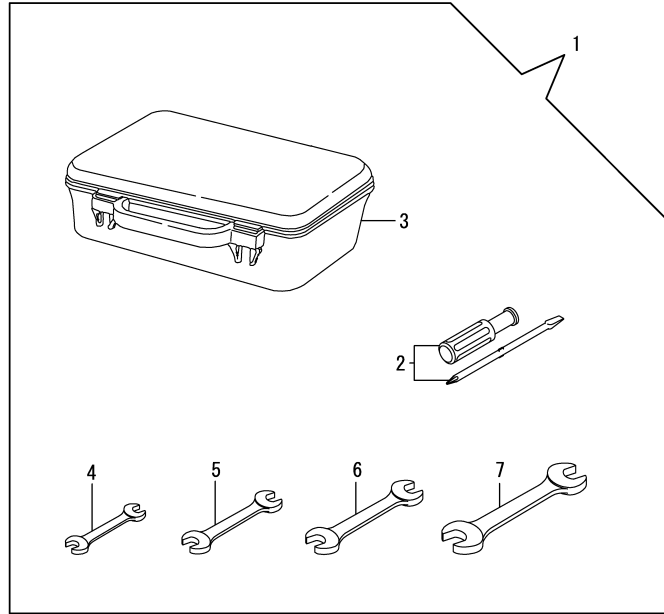
(D)=  
(E)=  
(F)=

No.	Lev.	Parts No.	Description	Qty						I	R
				(A)	(B)	(C)	(D)	(E)	(F)		
1	1	177040-09050	WRENCH	1	1	1					1
2	1	28170-001500	PLIER	1	1	1					1
3	1	104200-92350	DRIVER, SCREW	1	1	1					1
4	1	122210-92600	BOX, TOOL	1	1	1					1
5	1	127610-92750	WRENCH, FILTER	1	1	1					1
6	1	28110-100130	SPANNER, 10X13	1	1	1					1
7	1	28110-120140	SPANNER, 12X14	1	1	1					1
8	1	28110-170190	SPANNER, 17X19	1	1	1					1
9	1	28110-220240	SPANNER, 22X24	1	1	1					1
10	1	28120-002000	WRENCH, 200	1	1	1					1
11	1	28230-120300	HANDLE, TURN 12X300	1	1	1					1
12	1	123682-07851	LABEL, CAUTION	1	1	1					
12-1	1	123682-07852	LABEL, CAUTION	1							N
		(A=*2002.05)									
13	1	128296-07260	LABEL, DANGER	1	1	1					
14	1	128296-07350	LABEL, DANGER	1	1	1					
15	1	128296-07300	LABEL, DANGER	1	1	1					
16	1	120324-07240	LABEL, DANGER	1	1	1					
17	1	128171-07150	LABEL	1	1	1					
18	1	119574-07400	LABEL	5	5	5					
21A	1	128296-07190	LABEL, LOOSE PARTS	1	1	1					W
		(B=E50966) (C=E40622)									
22	2	128296-07450	LABEL, DANGER	1	1	1					W
		(B=E50966) (C=E40622)									
23	2	128296-07460	LABEL, DANGER	1	1	1					W
24	2	128296-07420	LABEL, DANGER	1	1	1					W
		(B=E50966) (C=E40622)									
25	2	128296-07400	LABEL, DANGER	1	1	1					W
		(B=E50966) (C=E40622)									
26	1	119574-07450	LABEL	1	1	1					W
		(B=FROM 1ST) (C=FROM 1ST)									
27	1	119773-07280	LABEL, DANGER	1	1	1					W
		(B=E50369) (C=*1997.11)									
28	1	196630-12980	LABEL, CAUTION	1	1	1					W
		(B=E50966) (C=E40622)									
32	1	119175-07260	LABEL, CAUTION	1							W
		(A=*2013.05)									

Remarks  
(1)Optional parts.

N:Old  $\xrightarrow{Yes}$  New, Q:Old  $\xrightarrow{No}$  New, R:Old  $\xrightarrow{Yes}$  New, S:Old  $\xrightarrow{No}$  New, W:Add, Z:Discontinued, F:Interchangeable by set, K:Q'ty Change

Fig.57. (52A)TOOL(STANDARD)

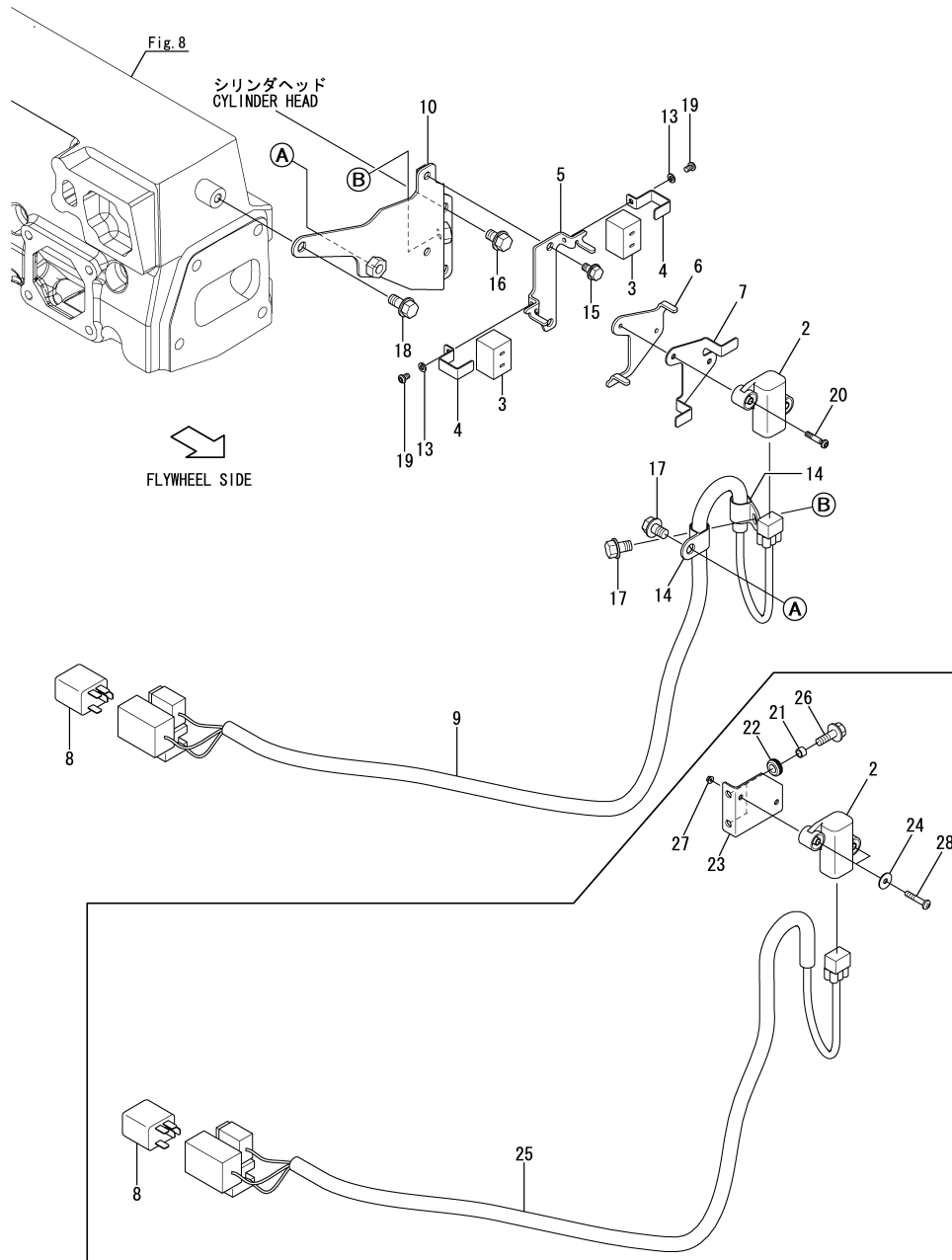


(A)=6LYA-STP  
(B)=6LYA-STE  
(C)=6LYA-UTE

(D)=  
(E)=  
(F)=

No.	Lev.	Parts No.	Description	Q'ty						I	R
				(A)	(B)	(C)	(D)	(E)	(F)		
1	1	726677-92100 (A=*2012.11)	TOOL ASSY	1							W
2	2	104200-92350	DRIVER, SCREW	1							
3	2	104200-92600	BOX, TOOL	1							
4	2	28110-080100	SPANNER, 8X10	1							
5	2	28110-100130	SPANNER, 10X13	1							
6	2	28110-120140	SPANNER, 12X14	1							
7	2	28110-170190	SPANNER, 17X19	1							

Fig.54. TURN OVER SWITCH(SOLAS)(OPTIONAL)



(A)=6LYA-STP  
(B)=6LYA-STE  
(C)=6LYA-UTE

(D)=  
(E)=  
(F)=

No.	Lev.	Parts No.	Description	Q'ty						I	R
				(A)	(B)	(C)	(D)	(E)	(F)		
2	1	119175-91510	SWITCH	1							
3	1	119175-91560	CUSHION	2							Z
		(A=*2012.03)									
4	1	119175-91600	SUPPORT	2							Z
		(A=*2012.03)									
5	1	119175-91630	BRACKET	1							Z
		(A=*2012.03)									
6	1	119175-91640	BRACKET	1							Z
		(A=*2012.03)									
7	1	119175-91650	BRACKET	1							Z
		(A=*2012.03)									
8	1	119773-91850	RELAY	1							
8-1	1	119773-91850	RELAY	2							K
		(A=*2012.04)									
9	1	119574-99440	WIREHARNES,SW	1							Z
		(A=*2012.03)									
10	1	119574-99451	BRACKET,SWITCH	1							Z
		(A=*2012.03)									
13	1	22217-040000	WASHER, SPRING 4	2							Z
		(A=*2012.03)									
14	1	23297-140081	CLAMP, A14X 8	2							Z
		(A=*2012.03)									
15	1	26106-060102	BOLT, M6X 10 PLATED	2							Z
		(A=*2012.03)									
16	1	26106-080122	BOLT, M8X 12 PLATED	2							Z
		(A=*2012.03)									
17	1	26106-080122	BOLT, M8X 12 PLATED	2							Z
		(A=*2012.03)									
18	1	26106-080162	BOLT, M8X 16 PLATED	1							Z
		(A=*2012.03)									
19	1	26557-040062	SCREW, M4X 6	2							Z
		(A=*2012.03)									
20	1	26557-040202	SCREW, M4X20	2							Z
		(A=*2012.03)									
21	1	105100-55540	COLLAR	2							W
		(A=*2012.03)									
22	1	127677-77400	RUBBER, CUSHION	2							W
		(A=*2012.03)									
23	1	119574-99010	BRACKET,SWITCH	1							W
		(A=*2012.03)									
24	1	119574-99020	WASHER	2							W
		(A=*2012.03)									
25	1	119574-99441	HARNES, WIRE T/O SW	1							N
		(A=*2012.03)									
26	1	26106-080222	BOLT, M8X 22 PLATED	2							W
		(A=*2012.03)									
27	1	26366-040002	NUT, M8	2							W
		(A=*2012.03)									
28	1	26557-040252	SCREW, M4X25	2							W
		(A=*2012.03)									

Remarks

\* This figuer was added as SOLAS spec. (optional).

N:Old  $\xrightarrow{\text{Yes}}$  New, Q:Old  $\xrightarrow{\text{No}}$  New, R:Old  $\xrightarrow{\text{Yes}}$  New, S:Old  $\xrightarrow{\text{No}}$  New, W:Add, Z:Discontinued, F:Interchangeable by set, K:Q'ty Change

## Parts No. Index

Parts No.	Fig. No.	Ref. No.
101304-59020	36	28
104200-92350	52	3
	57	2
104200-92600	57	3
104264-59030	8	39
104271-91352	37	3
	42	12
	44	15
	45	15
	46	15
	47	15
	48	18
	49	18
	50	18
	51	18
105100-55501	36	26
105100-55540	36	27
	54	21
105430-67110	36	4
		4 -1
106100-55800	28	30
	34	21
	35	31
	55	9
114250-53080	29	36
114250-53130	29	38
114250-53140	29	39
114250-53210	29	13
		41
114250-53400	29	14
		46
114780-61090	26	89 -1
119000-01740	2	3
119000-01771	2	4
119000-01840	1	10
119000-02410	1	4
119000-02450	12	2
119000-11180	6	49
119000-11230	6	30
119000-11260	6	33
119000-11270	6	34
119000-11280	6	35
119000-11290	6	36
119000-14100	12	4
119000-14200	12	6
119000-25060	1	44 -1
119000-25100	1	42 -1
119000-25920	28	26
119000-34030	15	11
119000-51050	25	76

Parts No.	Fig. No.	Ref. No.
119000-51060	25	6
119000-51161	25	16
119000-51170	25	17
119000-51181	25	18
119000-51330	25	31
119000-51410	25	41
119000-51411	25	41 -1
119000-51450	25	42
119000-51510	25	50
119000-51511	25	50 -1
119000-51550	25	53
119000-51570	25	54
119000-51580	25	55
119000-51590	25	56
119000-51650	25	57
119000-51800	25	71
119000-51900	25	73
119000-61051	26	86
119000-61052	26	86 -1
119000-61120	26	6
119000-61170	26	7
119000-61180	26	91
119000-61470	26	109
119000-61490	26	18
119000-61630	26	39
119100-26200	21	22
119129-77210	33	21
119129-77250	35	14
119129-77260	35	15
119129-77320	35	3
119129-77890	35	21
119129-77900	35	22
119129-77930	35	19
119129-77940	34	12
	35	12
119171-01101	1	26
119171-11150	6	18
119171-11370	6	23
119171-14400	12	7
119171-34820	4	23
119171-77850	36	6
119172-48130	7	10 -1
	8	40 -1
	30	18 -4
	36	32 -1
119172-48190	30	19 -2
		64 -1
119172-48280	5	8 -1
	17	9 -1
	24	8 -1

Parts No.	Fig. No.	Ref. No.
119172-48350	5	14 -1
119172-48480	8	20 -1
		57
		58
	23	5 -1
		17 -1
		20 -1
		28
119172-48540	23	13 -1
		18 -1
119173-03030	5	3
119173-11080	6	5
119173-11090	6	6
119173-11091	6	6 -1
119173-11101	6	14
119173-11110	6	15
119173-22300	14	9
119173-61200	26	92
119173-61400	26	9
119173-61650	26	134
119173-61651	26	134 -1
119173-61660	26	135
119174-61500	26	19
119175-07260	52	32
119175-42620	21	20
119175-51070	25	88 A-1
119175-51340	25	32
119175-53000	29	3 A
119175-77500	33	46
119175-77800	33	47
119175-91510	54	2
119175-91560	54	3
119175-91600	54	4
119175-91630	54	5
119175-91640	54	6
119175-91650	54	7
119181-59950	30	17
119187-59562	30	14 -1
119187-61071	26	87
119187-61190	26	8
119187-61300	26	99
119187-61911	26	28
119187-61920	26	29
119187-61930	26	30
119189-91260	44	8 -1
	48	8 -1
119189-91261	45	8
	49	8
119189-91262	46	8
	47	8

Parts No.	Fig. No.	Ref. No.
119189-91262	50	8
	51	8
119192-54860	28	17
119192-54870	28	18
119192-54880	28	19
119192-54890	28	20
119192-54910	28	21
119195-53000	29	3
119285-11990	1	8 -2
119573-08200	3	17
		17 -1
119573-51200	25	19
119573-59710	29	24
119573-59720	29	25
119573-59730	29	26
119573-59740	29	27
119573-59750	29	28
119573-59760	29	29
119573-61010	26	4
119573-61030	26	4 -1
119573-61551	26	110
119573-77200	34	1
119573-77201	35	1
		1 -1
119573-77250	34	30
	35	32
119573-77260	34	31
	35	33
119573-77270	34	32
	35	34
119573-77813	36	1
119573-77814	36	1 -1
119573-77850	32	9
119573-91130	42	1
119573-91200	42	2
	43	2
	44	2
	45	2
	46	2
	47	2
	48	2
	49	2
	50	2
	51	2
119574-03060	5	15
119574-03070	5	16
119574-03080	5	17
119574-03090	5	4
119574-03120	5	11 -1
119574-03130	5	12 -1

## Parts No. Index

Parts No.	Fig. No.	Ref. No.
119574-07400	52	18
119574-07450	52	26
119574-08200	3	9
119574-08201	3	9 -1
119574-08202	3	9 -2
119574-08210	3	10
119574-08211	3	10 -1
119574-08212	3	10 -2
119574-08230	3	18
119574-08231	3	18 -1
119574-11880	6	40
119574-12110	7	1
119574-13110	8	22
119574-13250	8	17
		46
119574-13251	8	17 -1
		46 -1
119574-13300	8	18
		47
119574-13500	8	21
119574-14000	12	1 -1
119574-18010	8	1
	9	1
119574-18011	8	1 -1
	10	1
		1 -1
119574-18012	8	1 -2
	11	1
		1 -1
119574-18020	8	1 -3
	11	24
119574-18050	8	4
119574-18051	8	4 -1
119574-18100	13	1
119574-18101	13	1 -1
119574-18102	13	1 -2
119574-18120	13	11
119574-18170	13	22
119574-18180	13	23
119574-18250	13	24
119574-18290	8	7
119574-18480	7	7
119574-18490	36	22
119574-18600	13	12
119574-18700	13	25
119574-18750	13	2
119574-18760	13	3
119574-18770	13	4
119574-18780	13	5
119574-18790	13	6

Parts No.	Fig. No.	Ref. No.
119574-18800	13	13
119574-18810	13	7
119574-18820	13	10 A
119574-22110	14	1 -2
119574-33010	15	1
119574-33011	15	1 -1
119574-33030	15	1 -2
119574-33050	15	30
119574-33150	15	7
119574-33170	15	4
119574-33180	15	3
119574-33600	15	31
119574-33620	15	32
119574-33621	15	32 -1
119574-34810	4	22
119574-34860	4	24
119574-34861	4	24 -1
119574-35200	15	24
119574-39050	16	1
119574-39051	16	1 -1
119574-39052	16	1 -2
119574-39110	16	3
119574-39111	16	3 -1
119574-39120	16	18
119574-39150	16	4
119574-39151	16	4 -1
119574-39152	16	4 -2
119574-39200	15	25
	53	11
119574-39600	17	1
119574-39601	17	1 -1
119574-39650	17	2
119574-39651	17	2 -1
119574-39700	17	7
119574-39701	17	7 -1
119574-39702	17	7 -2
119574-39720	17	23
119574-39750	36	25
119574-39751	36	25 -1
119574-39752	36	25 -2
119574-39770	36	44
119574-39820	17	8
119574-42500	21	2
119574-42501	21	2 -1
119574-42502	21	2 -2
119574-42550	21	17
119574-42551	21	17 -1
119574-42552	21	17 -2
119574-42560	21	18
119574-42570	21	19

Parts No.	Fig. No.	Ref. No.
119574-42580	21	20 -1
119574-44010	22	1
119574-44011	22	1 -1
119574-44050	22	16
119574-44150	15	2
		2 -1
	22	2
119574-44160	22	7
119574-44170	22	6
		6 -1
119574-44180	15	5
		5 -1
	22	5
119574-44190	22	4
119574-44200	22	3
119574-44600	22	17
119574-44620	22	18
119574-44621	22	18 -1
119574-44630	5	18
	22	21
119574-49050	23	1
119574-49060	23	2
119574-49061	23	2 -1
119574-49070	23	3
119574-49080	23	4
119574-49150	23	8
119574-49160	23	9
119574-49230	23	10
119574-49231	23	10 -1
119574-49250	23	11
119574-49270	23	12
119574-49300	24	4
119574-49320	24	5
119574-49321	24	5 -1
119574-49400	24	1
119574-49420	24	2
119574-49700	23	15
119574-49710	23	16
119574-49711	23	16 -1
119574-49750	8	19
119574-49751	8	19 -1
119574-51200	25	19 A-1
119574-53050	29	33
119574-55650	30	43
119574-59510	30	13
119574-59512	30	13 -1
119574-59530	30	14
119574-59550	30	77
119574-59710	29	24 A
119574-59720	29	25 A

Parts No.	Fig. No.	Ref. No.
119574-59730	29	26 A
119574-59740	29	27 A
119574-59750	29	28 A
119574-59760	29	29 A
119574-59980	30	15 -2
119574-66160	15	6
119574-67150	31	15
119574-67300	31	14 -1
119574-67450	31	35
119574-67900	31	28
119574-67901	31	28 -1
119574-77810	36	1 -2
119574-77811	36	1 -3
119574-77812	36	1 -4
119574-91010	36	29
119574-91011	36	29 -1
119574-99010	54	23
119574-99020	54	24
119574-99440	54	9
119574-99441	54	25
119574-99451	54	10
119575-01750	3	2 -1
119575-13300	8	48
119575-13320	8	50
119575-13330	8	51
119575-13340	8	52
119575-13350	8	53
119575-21600	12	23 -2
119575-35050	53	2
119575-35100	53	3
119575-35120	53	4
119575-35140	53	5
119575-35160	53	7
119575-35200	53	8
119575-35300	53	9
119575-35310	53	10
119575-44010	22	1 -2
119575-49800	23	26
119575-49810	23	27
119575-59300	30	74
119575-77050	36	52
119575-77060	36	53
119575-77071	36	54
119575-77200	36	64
119575-77510	36	2 -2
119575-77511	36	2 -3
119575-77551	36	55
119575-77910	36	56
119575-77911	36	56 -1
119575-91131	43	1

## Parts No. Index

Parts No.	Fig. No.	Ref. No.
119575-91261	43	5
119575-91851	43	25
119578-28000	12	20 -2
119578-42130	20	3 -2
119578-42600	21	13
119578-42610	21	5
119578-42620	21	6
119578-42630	21	7
119578-42640	21	11
119578-42650	21	14
119578-42660	21	12
119578-42670	21	16
119578-42680	21	15
119578-42690	21	8
119578-42700	21	9
119578-42720	21	10
119578-51201	25	19 A-2
119578-51400	25	91 A-1
119588-11310	6	51 -1
119588-11311	6	51 -2
119588-61700	26	136
119588-67300	31	14
		14 -2
119588-67311	31	2
119588-67320	31	3
119593-01200	1	27
119593-01342	1	28
119593-01500	2	1 -1
119593-01501	2	1 -2
119593-01601	3	1
119593-01730	4	5
119593-01731	4	5 -1
119593-01732	4	5 -2
119593-01751	1	35
119593-01760	1	45
119593-01801	1	29
119593-01811	1	30
119593-01860	6	11
119593-01870	1	9
119593-01880	1	8 -1
119593-01911	2	8
119593-02070	1	16
119593-02120	1	48
119593-02130	1	51
119593-02170	1	54
119593-02180	1	57
119593-02420	1	5
119593-02500	1	48 A
119593-02600	1	54 A
119593-03093	5	10

Parts No.	Fig. No.	Ref. No.
119593-03100	6	56
119593-03120	5	11
119593-03130	5	12
119593-03140	5	13
119593-03200	6	57
119593-07200	6	45
119593-07210	6	46
119593-08400	3	14
119593-11110	6	15 A
119593-11240	6	27
119593-11250	6	32
119593-11300	6	22
119593-11301	6	22 -1
119593-11310	6	51
119593-11360	6	53
119593-11870	6	39
119593-11910	6	24
119593-11911	6	24 -1
119593-12111	7	2
119593-13200	8	27
119593-13201	8	27 -1
119593-13202	8	27 -2
119593-13220	8	30 -1
119593-14002	12	1
119593-18070	8	2
119593-18080	8	5
119593-18110	8	6
119593-18480	7	7 -1
119593-18490	36	22 -1
119593-18800	13	26
119593-18870	8	3
119593-18871	8	3 -1
119593-18880	8	3 A
119593-21500	12	22
119593-21601	12	23
119593-21602	12	23 -1
119593-22351	14	3
119593-23200	14	15 -1
119593-23400	14	18 A
119593-25051	1	40
119593-25060	1	41
119593-25100	1	42
119593-25110	1	44
119593-25910	28	25
119593-28050	12	20
119593-28060	12	20 -1
119593-32001	4	14
119593-32500	4	15
119593-32520	4	17
119593-32530	4	18

Parts No.	Fig. No.	Ref. No.
119593-32700	4	19
119593-32710	4	20
119593-34000	15	9
119593-34001	15	9 -1
119593-34020	15	19
119593-34870	4	25
119593-35100	15	22
119593-35150	15	23
	53	6
119593-35191	4	28
119593-39150	16	9
119593-39151	16	9 -1
119593-39401	17	19
119593-39450	17	4
	30	71
	36	67
119593-39560	16	13
119593-39620	17	5
119593-39630	17	5 -1
119593-39690	17	6
119593-42010	20	1
119593-42021	20	5
119593-42120	20	4 A
119593-42130	20	3 -1
119593-42280	20	17
119593-42300	20	6
119593-44560	22	11
119593-49250	23	11 -1
119593-49291	20	12
119593-49320	6	55
	24	6
119593-49360	24	4 -1
119593-49370	24	7
119593-49530	20	13
119593-49550	20	14
119593-51030	25	4
119593-51080	25	7
119593-51090	25	8
119593-51100	25	10
119593-51300	25	28
119593-51500	25	49
119593-51520	25	51
119593-51530	25	52
119593-51850	25	72
119593-53080	29	6
119593-53120	29	10
		37
119593-53130	29	11
119593-53140	29	12
119593-59130	30	1

Parts No.	Fig. No.	Ref. No.
119593-59131	30	1 -1
119593-59132	30	1 -2
119593-59133	30	1 -3
119593-59140	30	2
119593-59141	30	2 -1
119593-59142	30	2 -2
119593-59250	30	24
119593-59580	30	10 -1
119593-59920	30	12 -1
119593-59960	30	72
119593-59980	30	15 -1
119593-61100	26	90
119593-61110	26	90 A
119593-61120	26	90 B
119593-61130	26	90 C
119593-61140	26	90 D
119593-61150	26	90 E
119593-61650	26	45
119593-61760	26	51
119593-61800	26	53
119593-61830	26	57
119593-61850	26	59
119593-61860	26	60
119593-61890	26	61
119593-61900	26	139
119593-61910	26	140
119593-61920	26	141
119593-61990	26	144
119593-67400	31	27
119593-77300	34	22
	35	23
119593-77301	34	22 -1
	35	23 -1
119593-77330	34	23
	35	24
	55	10
119593-77460	23	23
119593-77461	23	23 -1
119593-81110	32	1
119593-81120	32	2
119593-81130	32	3
119593-81310	32	4
119593-81320	32	5
119593-81330	32	6
119593-85900	32	13
119594-25911	28	25 A
119594-51030	25	4 A
119594-51061	25	6 A
119594-51070	25	88 -1
119594-51100	25	10 A



## Parts No. Index

Parts No.	Fig. No.	Ref. No.
119594-51200	25	19 A
119594-51240	25	24 A
119594-51290	25	40 A
119594-51301	25	28 A
119594-51341	25	32 A
119594-51451	25	42 A
119594-51850	25	72 A
119594-53290	29	15
		42
119594-53301	29	16
		43
119594-54910	28	21 A
119594-61500	26	19 A
119594-61600	26	26 A
119594-61700	26	136 -1
119594-61850	26	59 A
119594-91011	36	29 -2
119595-01500	2	1
119595-01800	2	5
119595-01930	2	10
119595-01950	2	11
119595-13200	8	27 -3
119595-18120	13	11 -1
119595-18121	13	11 -2
119595-18170	13	22 -1
119595-18180	13	23 -1
119595-18600	13	12 -1
119595-21200	12	12
119595-21300	12	15
119595-21650	12	18
119595-21651	12	18 -1
119595-23310	14	18
119595-23320	14	20
119595-33050	15	30 -1
119595-35200	15	24 -1
119595-39120	16	18 -1
119595-39700	17	7 -3
119595-39750	36	25 -3
119595-39751	36	25 -4
119595-44050	22	16 -1
119595-44600	8	35
119595-44700	8	37
119595-44801	8	38
119595-49060	23	2 -2
119595-49070	23	3 -1
119595-49080	23	4 -1
119595-51030	25	4 A-1
119595-51050	25	76 A-1
119595-51060	25	6 A-1
119595-51070	25	73 -1

Parts No.	Fig. No.	Ref. No.
119595-54910	28	21 A-1
119595-61170	26	7 -1
119595-67150	31	15 -1
119595-77350	55	11
119595-77370	55	12
119620-01750	3	2
119620-49290	13	28 -2
	15	29 -1
	22	14 -1
119625-11870	6	39 -1
119625-11872	6	39 -2
119625-11880	6	40 -1
119625-11900	6	41
119717-51420	25	75 -1
119773-07280	52	27
119773-08300	3	19
119773-08330	3	20
119773-08340	3	21
119773-08350	3	22
119773-77030	33	44 -1
119773-91300	36	14 -1
119773-91301	36	14 -2
119773-91500	36	15 -1
119773-91501	36	15 -2
119773-91600	36	49
119773-91650	36	50
119773-91700	36	51
119773-91850	31	13 -1
	36	18 -1
	54	8
		8 -1
119803-53400	29	46 -1
119885-01990	1	9 -1
120130-39990	16	22 -1
120130-49220	24	3 -1
120130-49350	13	28
		28 -1
		15
		29
		22
		14
120130-61600	26	26
120130-91260	42	5
120130-91850	42	33
120130-91860	42	6
	43	6
120147-91230	39	3
	40	3
120147-91760	39	17
	40	17
	48	14
	49	14

Parts No.	Fig. No.	Ref. No.
120147-91760	50	14
	51	14
120220-66250	31	34
120270-77101	32	8
120320-61540	26	35
120323-61420	26	11
120323-61430	26	5 C
120324-07240	52	16
120324-55750	30	47
120324-55751	30	47 -1
120324-55760	30	48
120324-61551	26	110 A
120325-61100	26	154 -1
120445-44640	8	26
		36
121023-01550	2	2
121023-01551	2	2 -1
121254-77401	33	2
121254-77402	33	2 -1
121254-77410	33	3
121254-77420	33	4
121254-77430	33	5
121254-77480	33	10
121254-77510	33	13
121254-77511	33	13 -1
121254-77520	33	14
121254-77521	33	14 -1
121254-77540	33	15
121254-77541	33	15 -1
121254-77570	33	17
121254-77571	33	17 -1
121254-77580	33	18
121254-77581	33	18 -1
121254-77590	33	19
121254-77600	33	20 -1
121254-77610	33	21 -1
121254-77670	33	26 -1
121254-77671	33	26 -2
121254-77690	33	28
121254-77700	33	29
121254-77730	33	32
121254-77770	33	36
121254-77780	33	37
121254-77790	33	38
121254-77810	33	39
121575-91250	37	6
	38	8
	41	7
	42	10
	44	13

Parts No.	Fig. No.	Ref. No.
121575-91250	45	13
	46	13
	47	13
	48	16
	49	16
	50	16
	51	16
121750-03080	5	5
121750-59890	30	26
		75
		32
		7
		36
		42
121750-59910	30	16
121850-01900	28	24
121850-01920	2	9
121850-03050	5	7
121850-11150	6	19
121850-11800	6	48
121850-21920	12	13
121850-35200	15	12
121850-51700	25	69
121850-61470	26	16
121850-61670	26	48
121950-28420	4	13
121952-51900	25	74
		77
122210-92600	52	4
122710-51050	25	5
122710-51350	25	40
122780-59100	29	20
123325-49220	24	3
123325-59420	30	3
		59
123372-59100	29	21
		21 -1
		21 -2
123385-82200	6	9
123472-59120	29	22
123482-39670	36	24
123482-91291	38	9
	42	11
	43	9
	44	14
	45	14
	46	14
	47	14
	48	17
	49	17
	50	17
	51	17

## Parts No. Index

Parts No.	Fig. No.	Ref. No.
123500-23200	14	15
123658-18910	8	8
123672-21500	12	17
123672-21861	12	19
123672-55750	30	33
123672-55760	30	34
123672-55811	30	58
123672-84530	15	17
123678-55700	30	31
123678-55720	30	32
123678-55770	30	35
123678-55790	30	36
123678-55850	30	37
123678-55860	30	38
123678-55870	30	39
123678-55880	30	40
123678-55890	30	41
123682-07851	52	12
123682-07852	52	12 -1
123682-77710	30	79
	36	5
123688-39820	17	8 -1
124060-01050	36	36 -1
		37 -1
		38 -1
124060-39451	36	12
124060-39452	36	12 -1
124066-59100	30	8
124080-77390	35	10
124160-01751	6	50
124160-11360	6	43
124160-39140	7	9
	17	3
	36	23
124410-51050	25	5 A
124410-51861	27	24
124410-51960	25	79
124411-01780	3	3
124411-03051	5	1
124411-11180	6	20
124411-28400	1	31
	4	12
124411-35520	15	16
124411-91010	37	2
124413-39100	16	21
124450-39240	17	18
124460-77680	13	32
	22	22
		22 -1
124550-77030	33	44

Parts No.	Fig. No.	Ref. No.
124610-01851	2	6
124610-01862	2	7
124610-51970	26	3
124610-77010	33	1
		1 -1
124610-77019	33	1 -2
124610-77550	33	16
124610-77640	33	23 -1
124610-77660	33	25 -1
124610-77690	33	28 -1
124616-61580	26	113
124616-91370	36	57
124617-11120	6	16
124617-11130	6	17
124617-91810	41	6
124617-91820	41	5
124617-91830	41	4
124617-91840	38	7
	41	3
124617-91850	31	13
	36	18
124617-91920	37	8
	38	17
	39	16
	40	16
	41	20
124617-91980	42	4
	43	4
	44	4
	45	4
	46	4
	47	4
	48	4
	49	4
	50	4
	51	4
124617-91990	42	34
	43	26
	44	39
	45	39
	46	39
	47	39
	48	44
	49	44
	50	44
	51	44
124766-59050	13	29
124770-49310	30	71 -2
	36	3
	53	12

Parts No.	Fig. No.	Ref. No.
124770-77940	30	27
124790-44560	22	12
124790-55770	8	33
	13	36
124976-34850	4	36
	53	1
127410-21480	12	25
127410-91600	38	3
127410-91610	38	4
127410-91620	38	5
127412-91250	39	18
	40	18
127495-08320	3	13
127495-61540	26	24
127495-61660	26	47
127610-44900	8	31
127610-49010	23	19
127610-55820	30	73
127610-91350	36	10
127610-92750	52	5
127620-91240	41	19
127620-91250	48	11
	49	11
	50	11
	51	11
127620-91410	41	12
127620-91620	41	13
127620-91630	41	18
127620-91690	41	15
127620-91720	41	16
127620-91730	41	14
127620-91790	41	9
		10
127620-91820	38	10
127675-91100	37	1
127675-91160	44	1
127675-91161	45	1
		1 -1
127675-91162	46	1
		1 -1
127675-91163	47	1
127675-91164	47	1 -1
127675-91170	38	1
127675-91171	38	1 -1
127675-91180	39	1
127675-91190	48	1
127675-91191	49	1
		1 -1
127675-91192	50	1
		1 -1

Parts No.	Fig. No.	Ref. No.
127675-91193	51	1
127675-91194	51	1 -1
127675-91200	40	1
127675-91210	39	2
127675-91220	40	2
127675-91300	41	1
127675-91600	38	6
127675-91610	38	16
127675-91650	37	13
	41	2
127675-91660	37	9
127675-91700	41	17
127675-91720	39	15
	40	15
127677-77400	54	22
127687-18910	13	27
127687-91220	39	11
	40	11
127687-91240	39	8
	40	8
127687-91250	39	9
	40	9
127687-91300	36	14
127687-91770	39	19
	40	19
127687-91780	39	22
	40	23
127687-91790	38	12
	39	21
	40	21
127687-91800	39	14
	40	14
127687-91830	39	12
	40	12
127687-91840	39	13
	40	13
127687-91850	39	6
	40	6
127687-91860	39	7
	40	7
127687-91870	42	7
	43	7
	44	41
	45	41
	46	41
	47	41
	48	46
	49	46
	50	46
	51	46

## Parts No. Index

Parts No.	Fig. No.	Ref. No.
127687-91880	42	36
	43	28
	44	40
	45	40
	46	40
	47	40
	48	45
	49	45
	50	45
	51	45
	127687-91890	39
	40	10
127691-52010	25	92
	27	1
127692-91410	42	30
	43	22
	44	35
	45	35
	46	35
	47	35
	48	40
	49	40
	50	40
	51	40
	127692-91440	42
43		23
44		36
45		36
46		36
47		36
48		41
49		41
50		41
51		41
127692-91450		42
	43	24
	44	37
	45	37
	46	37
	47	37
	48	42
	49	42
	50	42
	51	42
	127695-18251	13
127695-61071	26	88
127695-61450	26	15
127695-61550	26	156 -1
127695-61551	26	156 -2
127695-61840	26	5 E

Parts No.	Fig. No.	Ref. No.
127695-61961	26	143
128170-86500	31	33
128170-86501	31	33 -1
128170-91020	37	7
128170-91160	36	9
128170-91310	37	4
128170-91810	37	10
128170-91820	37	11
128170-91830	37	12
128171-07150	52	17
128270-91350	38	13
128296-07190	52	21 A
128296-07260	52	13
128296-07300	52	15
128296-07350	52	14
128296-07400	52	25
128296-07420	52	24
128296-07450	52	22
128296-07460	52	23
128371-01800	3	4
128377-59860	30	71 -1
128391-91440	42	23
	43	16
128391-91640	42	22
	43	15
128391-91700	42	35
	43	27
128391-91740	42	24
	42	18
128391-91930	43	11
	43	11
129100-01580	1	11 -1
		12 -1
		13 -1
129100-61930	26	142
		172
129100-77910	36	2
129107-44590	8	25
129150-11750	6	31
129150-59580	30	10
129155-51020	25	89 -1
129155-51270	25	26
		91 A
129155-51280	25	27
		91 B
129155-51410	25	48
129170-91610	42	25
	43	17
	44	30
	45	30
	46	30

Parts No.	Fig. No.	Ref. No.	
129170-91610	47	30	
	48	34	
	49	34	
	50	34	
	51	34	
129170-91650	42	8	
	43	8	
	44	11	
	45	11	
	46	11	
	47	11	
129170-91800	42	13	
	44	16	
	45	16	
	46	16	
	47	16	
	48	19	
	49	19	
	50	19	
	51	19	
129170-91810	42	17	
	44	10	
	45	10	
	46	10	
	47	10	
	48	7	
	49	7	
	50	7	
	51	7	
	129170-91930	44	20
		45	20
46		20	
47		20	
47		20	
129171-44600	8	23	
129171-44620	8	24	
129270-59580	30	10 -2	
		10 -3	
129470-11920	29	2	
		32	
129470-59530	30	15	
129470-67320	31	4	
129470-91160	38	20	
129470-91161	38	20 -1	
129470-91180	38	2	
129470-91190	37	5	
	38	11	
	39	24	
	40	22	
	41	8	
	42	16	

Parts No.	Fig. No.	Ref. No.
129470-91190	44	7
	45	7
	46	7
	47	7
	48	23
	49	23
	50	23
	51	23
129470-91191	43	10
	45	44
	46	44
	47	44
	49	50
	50	50
	51	50
129470-91200	38	19
129470-91210	47	7 A
129490-77910	36	2 -1
129491-59540	30	76
129495-59300	30	12
129495-59551	30	9
129495-59553	30	9 -1
		9 -2
129574-77710	36	20
129574-77720	36	21
129574-77740	36	68
129574-77860	37	14
	38	22
	39	25
	41	22
129574-77980	36	39
129574-91210	44	5
	45	5
	46	5
	47	5
	48	5
	49	5
	50	5
	51	5
129574-91220	44	6
	45	6
	46	6
	48	47
	49	47
	50	47
129574-91221	47	6
	51	47
129574-91222	47	6 -1
	51	47 -1
129574-91240	48	10

## Parts No. Index

Parts No.	Fig. No.	Ref. No.	
129574-91240	49	10	
	50	10	
	51	10	
129574-91260	44	8	
	48	8	
129574-91310	48	6	
	49	6	
	50	6	
129574-91311	51	6	
129574-91410	42	9	
	44	12	
	45	12	
	46	12	
	47	12	
	48	15	
	49	15	
	50	15	
	51	15	
	129574-91420	42	20
		43	13
44		22	
45		22	
46		22	
47		22	
48		26	
49		26	
50		26	
51		26	
129574-91430	44	25	
	45	25	
	46	25	
	47	25	
	48	29	
	49	29	
	50	29	
	51	29	
	129574-91440	44	28
45		28	
46		28	
47		28	
48		32	
49		32	
50		32	
129574-91490	51	32	
	48	12	
	49	12	
	50	12	
129574-91560	51	12	
	36	16	
	36	16	
129574-91561	36	16 -1	

Parts No.	Fig. No.	Ref. No.
129574-91570	36	17
129574-91600	48	38
	49	38
	50	38
	51	38
	42	19
129574-91620	43	12
	44	21
	45	21
	46	21
	47	21
	48	25
	49	25
129574-91630	50	25
	51	25
	44	24
	45	24
	46	24
	47	24
	48	28
129574-91640	49	28
	50	28
	51	28
	44	27
	45	27
	46	27
	47	27
	48	31
	49	31
	50	31
129574-91650	51	31
	42	29
	43	21
	44	34
	45	34
	46	34
	47	34
129574-91710	48	39
	49	39
	50	39
	51	39
	42	26
	43	18
	44	31
	45	31
	46	31
129574-91770	47	31
	48	35
	49	35
	49	35
	50	35

Parts No.	Fig. No.	Ref. No.
129574-91710	51	35
129574-91720	42	21
	43	14
	44	23
	45	23
	46	23
	47	23
	48	27
	49	27
	50	27
	51	27
	44	26
129574-91730	45	26
	46	26
	47	26
	48	30
	49	30
129574-91740	50	30
	51	30
	44	29
	45	29
	46	29
	47	29
	48	33
129574-91750	49	33
	50	33
	51	33
	42	27
	43	19
	44	32
	45	32
	46	32
	47	32
	48	36
49	36	
129574-91760	50	36
	51	36
	43	30
	44	42
	45	42
	46	42
	47	42
129574-91770	48	48
	49	48
	50	48
	51	48
	42	28
	43	20
	44	33
	45	33

Parts No.	Fig. No.	Ref. No.
129574-91770	46	33
	47	33
	48	37
	49	37
	50	37
129574-91780	51	37
	42	14
	44	17
	45	17
	46	17
	47	17
	48	20
129574-91790	49	20
	50	20
	51	20
	42	15
	44	18
	45	18
	46	18
	47	18
	48	21
	49	21
50	21	
129574-91850	51	21
	44	38
	48	43
129574-91851	45	38
129574-91852	49	43
	46	38
	47	38
	50	43
129574-91860	51	43
	44	9
	48	9
129574-91861	45	9
129574-91862	49	9
	46	9
	47	9
129574-91870	50	9
	51	9
	42	3
	43	3
	44	3
	45	3
	46	3
47	3	
129574-91770	48	3
	48	3
	49	3
	50	3
	51	3

## Parts No. Index

Parts No.	Fig. No.	Ref. No.
129574-91880	48	13
	49	13
	50	13
	51	13
129574-91890	44	19
	45	19
	46	19
	47	19
	48	22
	49	22
	50	22
	51	22
129574-91930	48	24
	49	24
	50	24
	51	24
129590-18520	7	8
129590-67310	31	26
129595-61600	26	36
129595-61610	26	5 D
129595-61620	26	38
129595-61670	26	49
129595-61671	26	49 -1
129595-61680	26	50
129595-61681	26	50 -1
129772-77280	34	33
	35	35
129795-61470	26	17
129908-77200	55	1
135210-61090	26	89
144606-54900	28	28
144606-54910	28	29
144626-51090	25	9
144626-51680	25	86 A
144626-51950	25	78
144626-61781	26	52
		138
144626-91560	36	15
144626-91570	36	11
148616-59430	30	6
		25
148616-61650	26	46
152623-51720	25	70
157854-04300	38	21
158563-51662	25	84 -1
158600-51270	25	26 -1
158600-51410	25	48 -1
171078-66551	31	1
171301-01640	4	2
171353-61460	26	108

Parts No.	Fig. No.	Ref. No.
177040-09050	52	1
177524-02210	12	27
177524-02211	12	27 -1
177524-02220	12	28
177524-02221	12	28 -1
177524-02230	12	29
177524-03701	12	30
177524-80010	32	16
177524-80020	32	17
177524-80030	32	18
183350-55130	36	63
194250-51660	5	6
	36	43
194555-55820	38	18
	41	21
196630-12980	52	28
198451-78680	43	29
	45	43
	46	43
	47	43
	49	49
	50	49
	51	49
22117-050000	26	62
		145
22117-060000	31	5
22117-080000	26	63
		64
		146
	31	6
22137-080000	4	6
	8	28
	13	14
	15	26
		33
	22	19
	26	65
	30	62
	36	30
22137-100000	34	24
	35	25
22137-120000	33	42
22157-080000	36	31
22190-060000	25	80
22190-060002	30	78
22190-060003	25	80 -1
22190-080000	26	66
22190-080002	26	168
22190-100002	26	169
22190-120002	26	84

Parts No.	Fig. No.	Ref. No.
22190-120002	26	137
		137 -1
		170
22190-140002	30	28 -1
		29 -1
22190-160002	26	85
22190-270002	13	16 -1
22212-040000	39	4
	40	4
22217-040000	54	13
22217-050000	31	16
	36	40
22217-060000	26	147
	27	22
	31	7
22217-080000	26	67
	30	63
	31	17
22217-120000	33	45
22217-270000	3	15
22242-000180	6	37
22242-000400	28	22
22252-000370	14	10
22272-000040	26	32
		68
		148
22272-000060	26	69
		70
		149
22272-000080	26	71
		72
22272-000100	26	150
22276-000060	26	149 -1
22276-000100	26	150 -1
22312-080160	1	11
		12
		13
	2	29
22312-100220	3	5
	32	10
22322-030220	26	13
22351-020008	25	81
22351-020012	25	82
22351-030016	26	56
		73
22351-030025	26	151
22351-040010	1	15
	16	16
22351-050012	28	31
22351-050020	26	152

Parts No.	Fig. No.	Ref. No.
22351-080016	1	14
22360-080000	31	8
22372-050000	26	153
22414-250150	31	29
22451-100000	28	23
		23 -1
22453-060000	26	154
22492-060362	26	74
22512-070140	12	5
22512-070220	12	14
23000-013000	7	10
	8	40
	30	11
		18
		18 -1
	31	36
	36	32
23000-016000	30	11 -1
		11 -2
		18 -2
		18 -3
		19
		64
23000-019000	30	19 -1
23000-028000	5	8
	17	9
	24	8
23000-035000	5	14
23000-054000	8	20
		54
	23	5
		17
		20
23000-060000	23	13
		18
23010-013000	22	13
23061-070400	13	33
	22	15
23061-100750	13	30
23123-060406	5	19
23171-040000	5	20
23297-080081	8	41
23297-140081	54	14
23414-080000	7	3
	17	20
	30	20
23414-080012	8	34
		42
	13	37
23414-100000	4	32

## Parts No. Index

Parts No.	Fig. No.	Ref. No.
23414-100000	7	11
	17	10
	36	33
	53	13
23414-120000	13	38
	36	34
		45
23414-130000	8	21 B
23414-140000	30	7
		21
		22
		28
		29
		65
23414-170000	8	9
23414-180000	13	15
	15	18
23414-200000	13	15 -1
	36	58
23414-220029	25	83
23414-260000	13	16
23414-270035	1	46
23414-360000	8	32
	53	14
23851-060000	36	35
23857-030000	8	43
	16	17
	17	21
23857-060000	36	35 -1
23857-080000	30	66
23871-010000	36	36
		37
		38
23871-020000	36	46
23871-030000	6	10
	20	4
	36	47
23875-030000	6	10 -1
23876-005000	6	9 -1
23876-010000	36	36 -2
		37 -2
		38 -2
23876-030000	4	34
23876-040000	15	38
23887-100002	26	155
23887-120002	13	39
	26	156
	36	48
23887-160002	26	75
23887-180002	13	17

Parts No.	Fig. No.	Ref. No.
23887-200002	13	17 -1
23887-270002	1	47
23893-020002	8	21 C
23894-030002	8	10
24101-060064	21	21
24101-060100	12	16
24142-322050	25	76 A
24190-230001	5	21
24311-000090	25	91 B-1
24311-000110	26	157
24311-000120	6	44
	26	76
24311-000140	3	6
24311-000200	16	5
		10
24311-000280	4	29
24311-000320	6	54
24311-000700	53	15
24314-000200	16	6
	17	11
24321-000350	23	6
24321-000450	20	7
24321-000800	25	79 A
24324-000250	17	12
24341-000080	26	77
24341-000100	4	26
24341-000160	25	75
24341-000240	2	13
	4	4
24341-000260	25	84
24341-000500	25	85
24341-000560	25	85 A
24341-000800	21	25
24341-001350	28	32
24352-010160	25	86
24356-190160	25	78 -1
24356-190170	25	86 A-2
24356-190180	25	86 A-1
26013-080182	4	31 -1
	12	8 -1
	16	11 -1
26013-080252	4	30
	35	27 -1
		28 -1
26022-050122	6	58
26106-060102	31	9
	54	15
26106-060122	16	19 -1
	25	87
	26	158

Parts No.	Fig. No.	Ref. No.
26106-060122	26	159
	31	9 -1
	36	7
		59
26106-060142	25	87 -1
	36	65
26106-060162	2	14 -1
	53	16
26106-060182	2	14
	26	78
26106-060202	5	2
	25	88 A
	29	30
		30 -1
		30 -2
	31	10
	36	7 -1
26106-060222	26	160
26106-060302	25	88
	26	161
	33	40
26106-060402	5	9
	26	162
26106-060452	33	41
26106-060502	5	9 -1
26106-080102	8	55
	30	23
26106-080122	2	15
		15 -1
	7	4
	16	19
	17	22
	26	167 -1
	31	11
		30
	36	66
	54	16
		17
26106-080142	8	29
		56
	31	18 -1
	36	60
26106-080162	1	32
	2	16
		16 -1
	4	27
		31
	8	45
	12	8
	16	11

Parts No.	Fig. No.	Ref. No.
26106-080162	17	13
		14
	24	9
		10
	31	11 -1
	35	37
	36	8
	53	17
	54	18
	55	13
26106-080182	1	36
	16	20
	20	8
	31	18
26106-080202	1	32 -1
		33
	2	12
		12 -1
		17
		18
		19
	13	18
		19
		19 -1
	16	7
	17	15
		17
	21	23
	22	20
	23	7
	34	25
	35	26
		26 -1
	36	13
	53	18
		19
		20
	55	14
26106-080222	2	19 -1
	16	12
	34	26
	35	27
	54	26
	55	15
26106-080252	4	7
		30 -1
	15	27
		37
	16	12 -1
	17	16

## Parts No. Index

Parts No.	Fig. No.	Ref. No.
26106-080252	20	15
	23	14
		24
	28	33
	34	27
	35	28
	55	16
26106-080302	1	37
	12	34
	13	31
	20	9
	23	25
26106-080352	4	8
	53	21
26106-080402	7	5
	15	20
	30	67
26106-080452	1	38
	2	20
		21
	15	21
	20	16
	53	22
26106-080502	1	39
	2	22
		22 -1
	15	34
	16	8
26106-080552	2	23
		23 -1
	13	20
		20 -1
26106-080602	8	44
26106-080652	6	42
26106-080702	7	6
26106-080752	2	24
		25
	4	35
26106-080802	20	10
26106-080852	2	26
26106-080902	2	27
	4	9
		9 -1
26106-080952	20	11
26106-081102	2	30
26106-081202	2	28
		28 -1
	4	10
	15	28 -1
26106-100162	4	33

Parts No.	Fig. No.	Ref. No.
26106-100162	12	21
26106-100182	8	11
	12	21 -1
26106-100202	6	47
	30	68
26106-100222	8	12
	12	21 -2
	17	17 -1
	30	44 -1
26106-100252	1	33 -1
	30	44
	32	19
26106-100282	32	20
26106-100302	3	7
	30	45
	32	11
26106-100352	3	8
	12	35
26106-100402	32	12
26106-100552	4	21
26106-100802	1	34
26106-101052	55	17
26113-080552	13	35
26113-081502	13	34
26116-050142	31	31
26116-060302	26	163
26116-060306	26	163 -1
26116-080202	31	19 -1
26116-080252	31	19
26116-081202	15	28
26116-081302	15	8
26116-081452	8	30
26116-081502	13	21
		21 -1
	22	8
26116-081902	4	11
26116-101202	34	28
	35	29
26116-120282	3	11
26116-120302	3	11 -1
	33	43
26116-120322	3	12
		12 -1
26116-120352	33	43 -1
26116-160452	32	14
26156-100202	53	23
26213-100252	8	13 -1
26216-060162	25	89
26223-100222	8	13
26223-100252	8	14

Parts No.	Fig. No.	Ref. No.
26226-080182	15	36
		36 -1
26226-100322	28	24 -1
26306-080002	6	26 -1
	21	24 -1
	25	90 -1
	30	69 -1
	53	24
26306-100002	28	34 -1
	30	46 -1
	34	29 -1
	35	30 -1
	55	18
26366-040002	54	27
26366-060002	6	25
	29	19
		19 -1
		19 -2
	31	12
		12 -1
	36	62
26366-080002	6	26
	15	35
		35 -1
	21	24
	25	90
	30	69
26366-100002	28	34
	30	46
	34	29
	35	30
26376-120002	26	164
26450-060402	25	91
26557-040062	54	19
26557-040202	54	20
26557-040252	54	28
26557-050082	36	41
26557-050122	31	20
26577-060162	26	33
26667-080002	26	79
		165
		165 -1
26703-100002	8	15
		16
26706-100002	30	70
26716-040002	39	5
	40	5
26716-050002	31	21
26716-060002	26	34 -1
		80 -1

Parts No.	Fig. No.	Ref. No.
26716-060002	27	23
26716-080002	31	22
26716-160002	32	15
26756-050002	31	32
26756-060002	26	80
26756-080002	26	81
		82
		166
		166 -1
26757-060002	26	34
26776-270002	3	16
26777-120002	26	83
		171
26911-080402	26	167
27231-650000	1	6
27241-100000	6	38
27241-160000	1	7
27241-280000	6	12
27241-350000	1	8
27241-400000	6	13
27310-090001	6	21
28110-080100	57	4
28110-100130	52	6
	57	5
28110-120140	52	7
	57	6
28110-170190	52	8
	57	7
28110-220240	52	9
28120-002000	52	10
28170-001500	52	2
28230-120300	52	11
29621-200000	5	22
29622-250001	5	6 -1
	36	61
41650-501180	30	42 A
41650-550310	30	30
41650-550810	30	42
41701-001720	31	23
41710-000410	31	24
41710-001300	31	25
43530-500610	23	21
43662-030030	23	22
43662-030031	23	22 -1
43720-001220	16	22
46150-003610	38	14
	39	20
	40	20
	41	11
46150-003620	38	15

## Parts No. Index

Parts No.	Fig. No.	Ref. No.
46150-003620	39	23
	40	24
46150-507600	36	19
719573-01540	4	1
719573-11700	6	1 A
719573-51303	25	1
719573-53100	29	1
719574-11700	6	1 -1
719574-11701	6	1 -2
719574-21700	12	9
719574-22720	14	1
719574-22721	14	1 -1
719574-42700	21	1
719574-51311	25	1 A
719574-53101	29	1 A
		1 A-1
719574-53200	29	31
719574-54101	28	1 A-2
719574-54200	28	1 A-3
719574-54800	28	1 A-1
719578-13500	8	21 -1
719593-01560	1	1
719593-01561	1	1 -1
719593-01562	1	1 -2
719593-02590	1	20
719593-02800	1	17
719593-11650	6	28
719593-11700	6	1
719593-23600	14	16
719593-23700	14	11
719593-23701	14	11 -1
719593-54800	28	1
719594-54800	28	1 A
719595-23600	14	16 -1
720445-44201	22	9
726677-92100	57	1
777524-02120	12	26
777524-02121	12	26 -1
977780-01200	19	1
977780-01210	18	1
977780-01211	18	1 -1
	19	1 -1
	56	1
977780-01230	18	2
	19	2
977780-01240	19	3
977780-01250	18	3
977780-03000	18	9
	19	9
	56	9

Parts No.	Fig. No.	Ref. No.
X0044021509	18	7
	19	7
	56	7
X0135771	21	4
X0271141040	27	17
		18
X0293314230	27	19
		20
X0293316030	27	11
X0293326030	27	6
X0296316060	27	12
X0297314680	27	16
X0300120414	30	54
X0311121522	30	52
X0314080110	30	56
X0318101004	56	2
X0580121073	30	53
X0582810173	30	51
X0588080273	30	57
X0588530373	15	22 A
X0600160122	30	55
X0993071171	30	57 A
X1521001120	27	3
X1521021300	27	4
X1521051500	27	5
X1521114020	27	7
X1521150500	27	8
X1521160200	27	9
X1521170100	27	10
X1521210400	27	13
X1522006720	27	14
X1523005920	27	15
X1523200100	27	21
X158606410X	56	3
X179100011X	19	5
X179100021X	18	5
X179100022X	56	5
X179100100X	18	6
	19	6
	56	6
X199903800X	18	8
	19	8
	19	8
X199906101X	56	8
X211810030	13	10
X213017001	33	26
X213035002	33	25
X21304400	33	20
X213046003	33	27
X214320104	13	9
X22501113	33	23

Parts No.	Fig. No.	Ref. No.
X2740134001	30	49
X6201NC	34	3
X6303BM	34	16
X6303BM0000	35	18
X8636008003	18	4
	19	4
X8636015001	56	4
XJD532012	11	49
XKWPY642021	20	2
XKWPY642101	20	3
XL1501810	34	20
XL15028001	34	17
XL150M14041	34	15
	35	17
XL1556315	34	7
XL155G1330	35	8
XL1801200	34	4
XL180120000	35	4
XL1801335	34	9
XL18018015	34	19
XL1805100	34	2
XL1805301	34	6
XL1805500	34	18
XL1808320	34	13
XL180832000	35	13
XL1809300	34	5
XL180G13012	35	6
XL180G43150	35	7
XL180G61000	35	2
XL180G63006	35	5
XL180G85001	35	20
XL2251318	34	11
XL225431800	35	11
XL2255320	34	8
XL225G1325	35	9
XL23534011	34	14
XL235340110	35	16
XNB133206	9	21
	10	21
	11	21
		47
XNE973420	9	19
	10	19
XNE974220	9	12
	10	12
	11	12
XNE977160	11	39
XNE977170	9	16
	10	16
	11	16

Parts No.	Fig. No.	Ref. No.
XNH171006	9	5
	10	5
	11	5
		28
XNH171302	9	3
	10	3
XNH171881	11	3
		27
XNH172500	9	9
	10	9
	11	9
		33
XNH173436	11	19
		44
XNH174307	9	13
	10	13
	11	13
		38
XNH174404	9	14
	10	14
	11	14
		37
XNH174848	11	36
XNH175703	10	15
	11	15
		32
XNH175902	9	15
XNH178265	9	23
	10	23
	11	23
		40
XNH191305	9	6
	10	6
	11	6
		29
XNH193006	9	22
	10	22
	11	22
		46
XNH271303	9	4
	10	4
XNH271340	9	2
	10	2
XNH271343	11	2
		25
XNH271351	11	4
		26
XNH273502	9	11
	10	11
	11	11



# Parts No. Index

Parts No.	Fig. No.	Ref. No.
XNH273502	11	35
XNH362809	11	43
XNH963702	11	48
XNH978942	11	50
XNN137007	9	17
	10	17
	11	17
		42
XNN137423	9	18
	10	18
	11	18
		41
XNN171107	9	7
	10	7
	11	7
		30
XNN171110	9	8
	10	8
	11	8
		31
XNN173204	9	20
	10	20
	11	20
		45
XNN173504	9	10
	10	10
	11	10
		34
XNN976662	11	51
XTR1Z63	34	10

Parts No.	Fig. No.	Ref. No.
-----------	----------	----------

Parts No.	Fig. No.	Ref. No.
-----------	----------	----------

Parts No.	Fig. No.	Ref. No.
-----------	----------	----------