



MANITOU NORTH AMERICA, INC.

6401 IMPERIAL DRIVE
Waco, TX 76712-6803

NOTE: *Manitou Forklift Manuals are continually updated and subject to change without prior notice. If your Forklift Model or parts are not found in this manual, please contact your dealer or the Manitou North America Parts Department for the latest information and parts availability.*

K-D HAWK
30-2/4 TH
HYDROSTATIC & 4 - SPEED

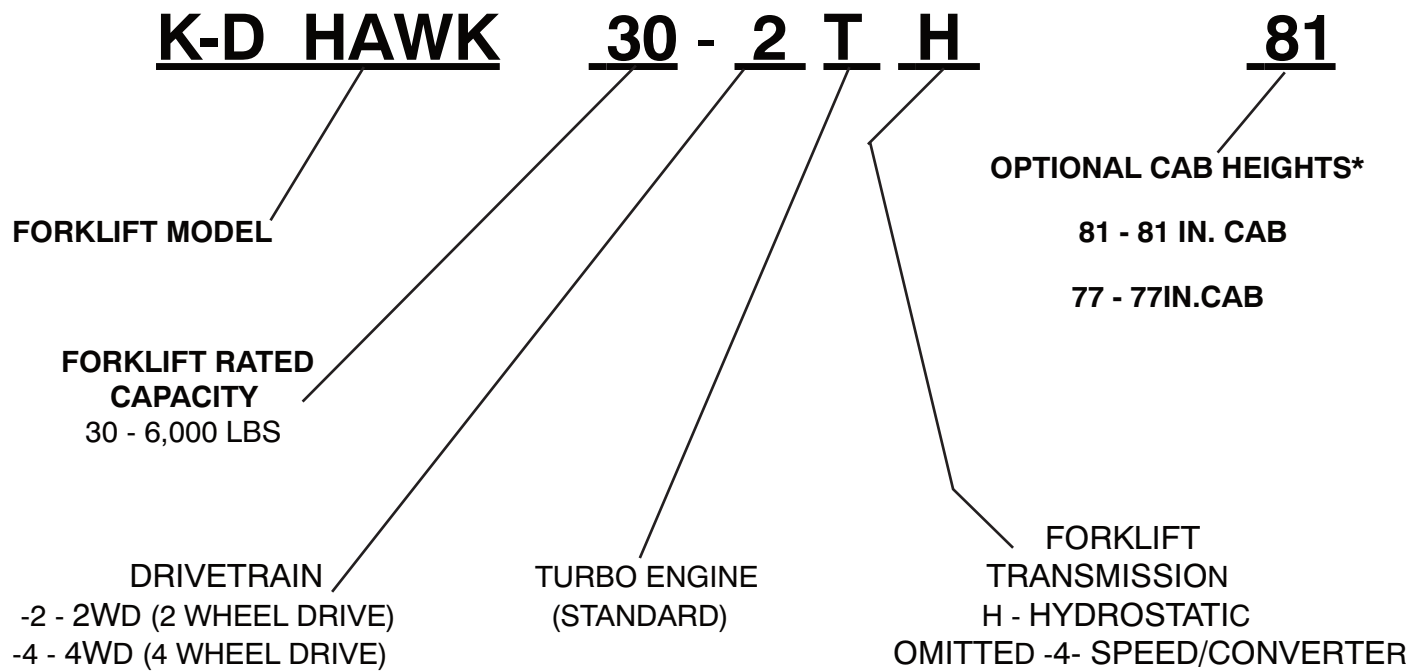
TRANSMISSIONS
-TIER III ENGINE-

PARTS MANUAL
S/N: 758337 & above

For Parts Orders contact your Manitou North America Dealer or call:
Manitou North America, Parts Dept. 800-425-3727 or (254) 799-0232
Parts Dept. Fax (254) 867-6504 Website: www.manitou-na.com

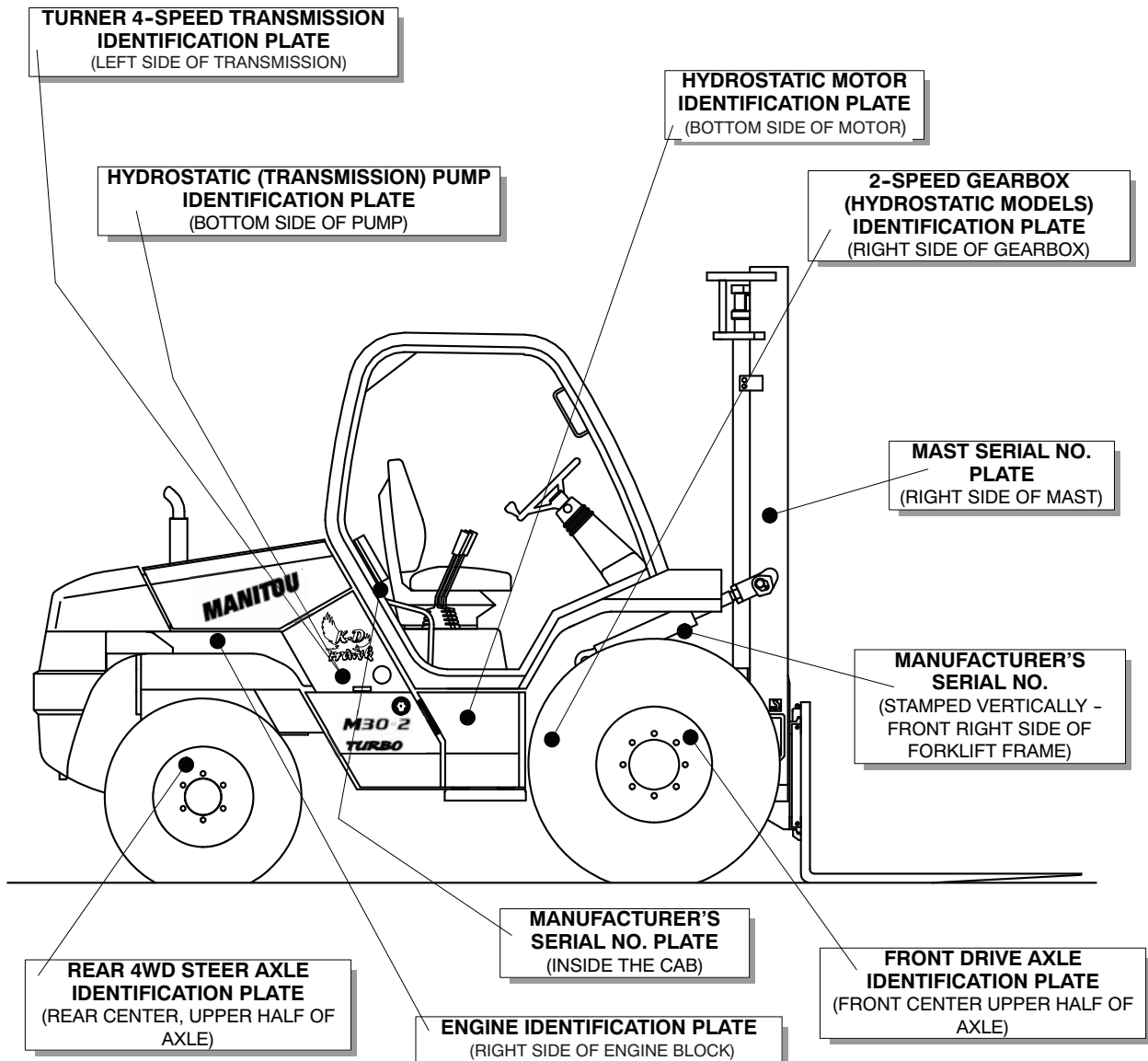
**K - D HAWK TIER III
FORKLIFT MODEL DESCRIPTION**

**TIER III MODELS ARE READILY IDENTIFIED BY SILVER COLORED
WHEELS AND BLACK FRONT/REAR AXLES**



* Dimensions may vary depending on tires, additional options, etc.

M-SERIES POWERTRAIN COMPONENT IDENTIFICATION



GENERAL INFORMATION

The purpose of this catalog is to provide illustrations for identifying and ordering assorted forklift parts. The illustrations provide a general description and may not show the *exact* shape or detail of the parts or components represented.

The parts are identified by an Item number on the Illustration Page. Find the Item Number for the part desired, then locate that Item Number under the "Items" column on the parts page. The part number will be located directly to the right of the Item Number. Also provided is a part description, dimensions (where necessary), quantity of parts required and the Truck Model Identification.

Manitou North America, Inc. continues to improve product design as new technologies are developed, and reserves the right to make revisions without prior notice. Please contact your nearest dealer or the Manitou North America Parts Dept. if you have any questions.

When ordering parts or requesting technical information, the following numbers are required:

Truck Model No: _____

Serial No: _____

Mast Model No: _____

Serial No: _____

Engine Name (Cat or Perkins): _____

Engine (List) No: _____

Transmission (Hydrostatic or 4-Speed): _____

Model (MANITOU) reference: _____

Serial No: _____

Hydrostatic Motor (Hydrostatic Models only): _____

Model No: _____

Serial No: _____

2-Speed Gearbox Model No. (Hydrostatic Models only): _____

Serial No: _____

Front Drive Axle No: _____

MANITOU reference: _____

Serial No: _____

Rear Drive Axle No. (4WD only): _____

MANITOU reference: _____

Serial No: _____

Attachment Model No: _____

Serial No: _____

For quick reference it is recommended these numbers be recorded as soon as possible.

ALPHABETICAL CONTENTS

CATALOG 809860 R 11 - 09

Description, Page Number

ACCELERATOR PEDAL ASSEMBLY, (21.00),	FILTERS AND BELTS, (1.00),
AIR INTAKE SYSTEM, INSTALLATION, (4.00),	FRAME, COUNTERWEIGHTS AND STEPS, (16.00),
ALTERNATOR, (64.00),	FRONT DRIVE AXLE AND DRIVESHAFT INSTALLATION, (17.00),
BRAKE SYSTEM ASSEMBLY, HYDRAULIC, (20.00),	FUEL SYSTEM, ENGINE, (14.00),
CAB ASSEMBLY AND FENDERS, 4-SPEED TRANS., (25.00),	FUEL TANK ASSEMBLY, (13.00),
CAB ASSEMBLY AND FENDERS, HYDROSTATIC, (26.00),	GEAR LEVER ASSEMBLY, 4-SPD TRANS, (9.00),
CAB MOUNTING ASSEMBLY, (27.00),	GEARBOX, HYDROSTATIC, 2-SPEED REDUCTION, (68.00),
DECALS, (51.00),	HEATER, FIREWALL, (32.00),
DRIVE AXLE, FRONT, (69.00),	HYDRAULIC DIFFERENTIAL LOCKING ASSEMBLY, (41.00),
DRIVE AXLE, FRONT, CASING, (70.00)	HYDRAULIC SYSTEM, PUMP AND CONTROLS, (39.00),
DRIVE AXLE, FRONT, DIFFERENTIAL, (71.00),	HYDRAULIC TANK ASSEMBLY, 4-SPEED TRANSMIS- SION, (35.00),
DRIVE AXLE, FRONT, DISC BRAKES, (73.00),	HYDRAULIC TANK ASSEMBLY, HYDROSTATIC TRANS- MISSION, (36.00),
DRIVE AXLE, FRONT, REDUCTION GEAR, (72.00),	HYDRAULIC VALVE BANK ASSEMBLY, (44.00),
ELECTRICAL ASSEMBLY, 4-SPEED, (45.00),	HYDROSTATIC (TRANS) SYSTEM ASSEMBLY 1 OF 2, (10.00),
ELECTRICAL ASSEMBLY, HYDROSTATIC, (46.00),	HYDROSTATIC (TRANS) SYSTEM ASSEMBLY 2 OF 2, (11.00),
ENGINE COVER AND COUNTERWEIGHT COVER, (34.00),	HYDROSTATIC GEARBOX HYDRAULICS, (12.00),
ENGINE SHUTDOWN KIT, (48.00),	HYDROSTATIC INCHING VALVE, TH7, (12.00),
ENGINE, ROCKER ARMS, (56.00),	HYDROSTATIC GEARBOX SOLENOID HARNESS, (49.00),
ENGINE, TIMING GEAR AND CAM, (57.00),	HYDROSTATIC MOTOR, (80.00),
ENGINE, COMPLETE, (52.00),	MAST MOUNTING HARDWARE, (15.00),
ENGINE, CRANKSHAFT, (54.00),	MAST SIDE-SHIFT CYLINDER ASSEMBLY, 1ST, 2ND AND 3RD MOUNTING, (40.00),
ENGINE, CYLINDER BLOCK, (53.00),	MAST TILT CYLINDER ASSEMBLY, 1ST AND 2ND MOUNTING, (40.00),
ENGINE, CYLINDER HEAD, (55.00),	MAST TILT CYLINDER ASSEMBLY, 2ND MOUNTING, (40.01),
ENGINE, CYLINDER HEAD OUTLETS, (61.00),	OIL COOLER, DRIVE AXLE, TORQUE CONVERTER, (8.00),
ENGINE, EXHAUST MANIFOLD, (63.00),	OIL COOLER, HYDRASTATIC, (37.00),
ENGINE, FLYWHEEL HOUSING, (65.00),	RADIATOR COOLER TRAYS, (6.00),
ENGINE, TURBOCHARGER(67.00),	SEAT ASSEMBLY, HIGH BACK, (30.00),
ENGINE, OIL FILTER BRACKET, (60.00),	SEAT ASSEMBLY, LOW BACK, (29.00),
ENGINE, OIL PUMP AND PAN, (58.00),	
ENGINE, RADIATOR AND MUFFLER MOUNTINGS, (5.00),	
ENGINE, ROCKER ARM COVER AND BREATHER, (59.00),	
ENGINE, STARTER MOTOR, (66.00),	
ENGINE, WATERPUMP, (62.00),	
FILTER ASSEMBLIES, HYDRAULIC TANK, (38.00),	
FRONT AXLE INST. ST. W/SAHR(18)	

ALPHABETICAL CONTENTS

CATALOG 809860, R 11 - 09

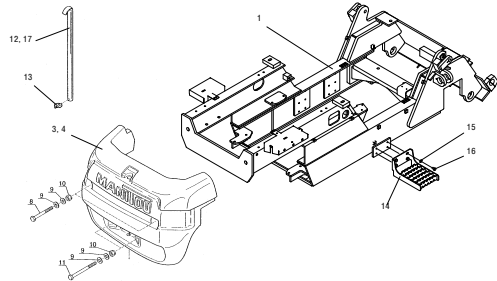
Description, Page Number

SENSORS, ENGINE AND TRANSMISSION, (50.00),	TIRES AND WHEELS, REAR, (3.00),
SIDE PANELS, REAR FENDERS, AND HOOD LIFT CYLINDER, (33.00),	TRANSMISSION INSTALLATION, 4-SPEED, (7.00),
STEER AXLE CASING, 4WD, (75.00),	TRANSMISSION, 4-SPEED, 2WD, (82.00),
STEER AXLE DIFFERENTIAL, 4WD, (76.00),	TRANSMISSION, 4-SPEED, 2WD, CONTROL VALVE, (85.00),
STEER AXLE REDUCTION GEAR, 4WD, (77.00),	TRANSMISSION, 4-SPEED, 2WD, EXTERNAL COMPONENTS, (83.00),
STEER AXLE SUPPORT BRACKET, 4WD, (79.00),	TRANSMISSION, 4-SPEED, 2WD, INTERNAL COMPONENTS, (84.00),
STEER AXLE, 2WD, (23.00),	TRANSMISSION, 4-SPEED, 2WD-4WD, CONTROL VALVE, (85.10),
STEER AXLE, 4WD, (74.00),	TRANSMISSION, 4-SPEED, 4WD, (86.00),
STEERING AXLE AND DRIVESHAFT INSTALLATION, 4WD, (24.00),	TRANSMISSION, 4-SPEED, 4WD, CONTROL VALVE, (89.00),
STEERING AXLE AND HANGER INSTALLATION, 2WD, (22.00),	TRANSMISSION, 4-SPEED, 4WD, EXTERNAL COMPONENTS, (87.00),
STEERING COLUMN ASSEMBLY, (28.00),	TRANSMISSION, 4-SPEED, 4WD, INTERNAL COMPONENTS, (88.00),
STEERING CYLINDER, 2WD, (43.00),	TRANSMISSION, HYDROSTATIC PUMP, (81.00)
STEERING CYLINDER, 4WD, (78.00),	WINDSHIELD AND WIPER KIT, (31.00),
STEERING HYDRAULICS, (42.00),	
TACHOMETER OPTION, (47.00),	
TIRES AND WHEELS, FRONT, (2.00),	

<p style="text-align: center;">2 AA</p> <p> Air filter cartridge 806659 NELSON - Steel Canister 476554 Engine oil filter Cat or Perkins 561749 Transmission oil filter (4-speed transmission) 221174 (4-speed) Hydraulic return oil filter Safety air filter cartridge 806654 NELSON 425501 Filter cap for hydraulic oil tank 420754 Suction strainer (inside hydraulic oil tank) 702494 Fan belt, alternator 470590 clamp 8169 Fuel cap for diesel fuel tank 803071 Air intake pre-filter B2236-15 clamp 495959 Turbo 2 Engine pre-filter & clamp 561749 221174 425501 420754 702494 470590 8169 803071 495959 </p> <p style="text-align: right;">1.00</p>	<p style="text-align: center;">3 AA</p> <p> TDM TREAD GOOD YEAR TREAD OTR TREAD MICHELIN TREAD MICHELIN TREAD </p> <p style="text-align: right;">2.00</p>	<p style="text-align: center;">3 AA</p> <p> OTR TREAD 802871 (4WD) OTR TREAD 802874 (4WD) OTR TREAD 802874 (4WD) MICHELIN TREAD 802874 (4WD) </p> <p style="text-align: right;">3.00</p>
<p style="text-align: center;">4 AA</p> <p style="text-align: right;">4.00</p>	<p style="text-align: center;">4 AA</p> <p style="text-align: right;">5.00</p>	<p style="text-align: center;">4 AA</p> <p style="text-align: right;">6.00</p>
<p style="text-align: center;">4 AA</p> <p> USE A RUBBER MALLETT TO DRIVE BREATHER INTO PLUG VIEW A * - APPLY LOCTITE 242 * - ONLY REMOVE THIS PLUG AND REPLACE WITH ITEM 22 & 23. </p> <p style="text-align: right;">7.00</p>	<p style="text-align: center;">4 AA</p> <p style="text-align: right;">8.00</p>	<p style="text-align: right;">8.00</p>

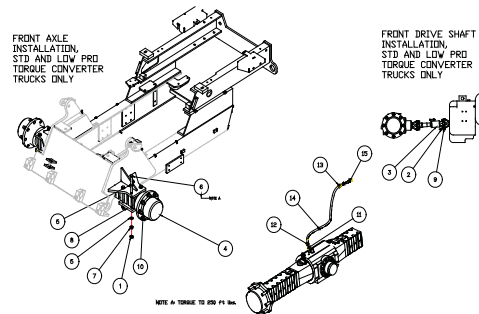
**I
N
D
E
X**

6 AA



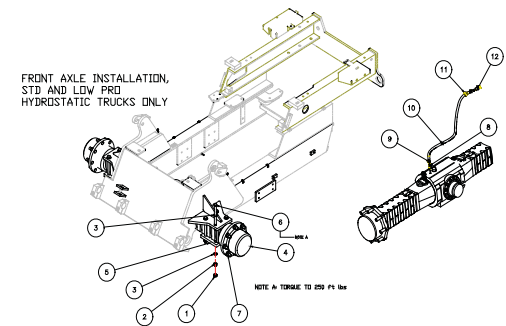
16.00

6 BA



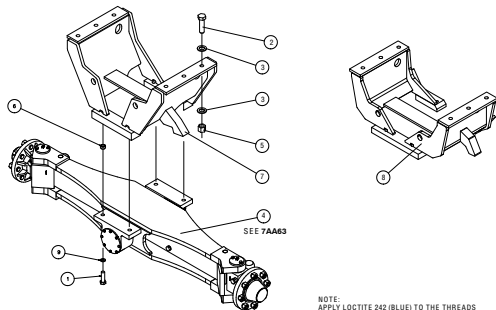
17.00

6 BA



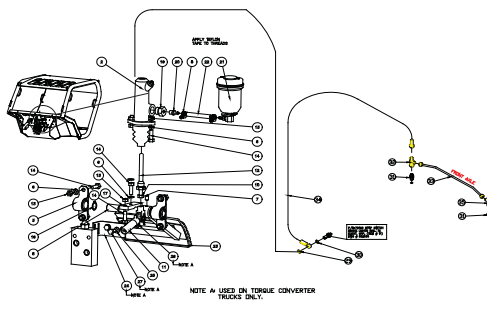
18.00

7 AA



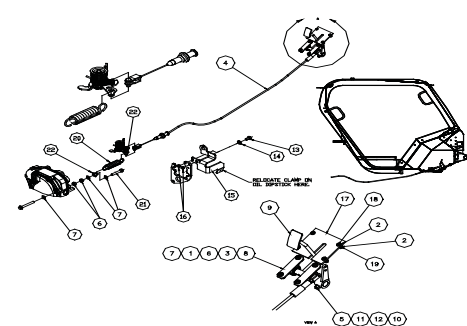
19.00

6 BB



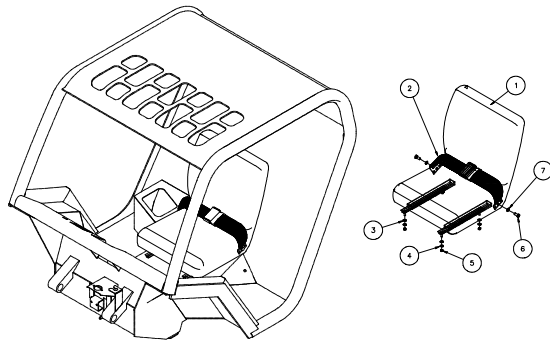
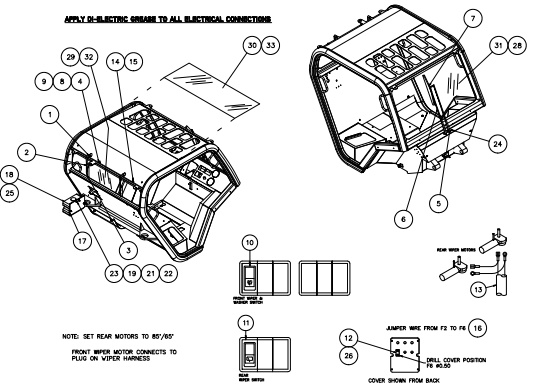
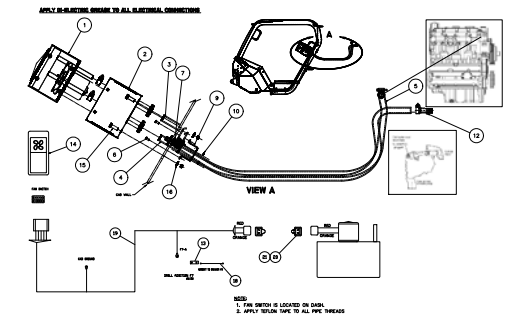
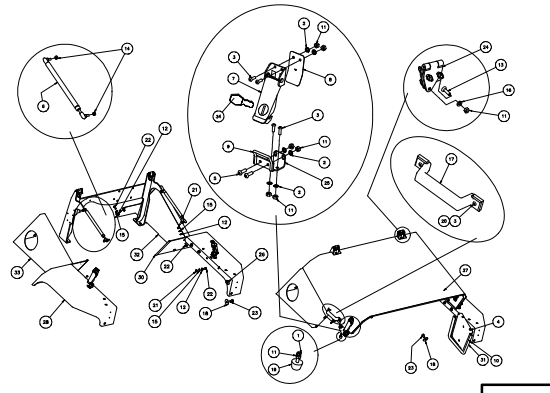
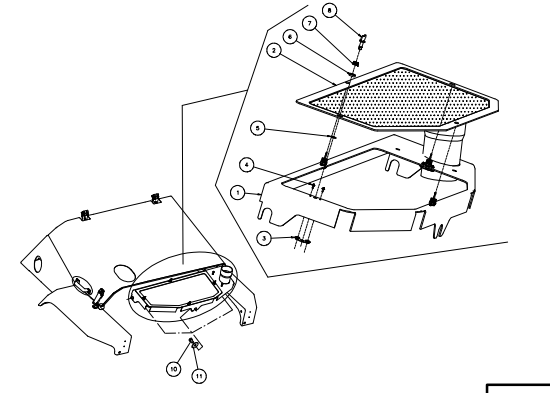
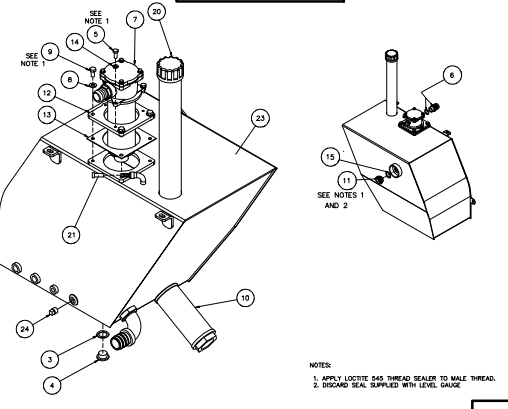
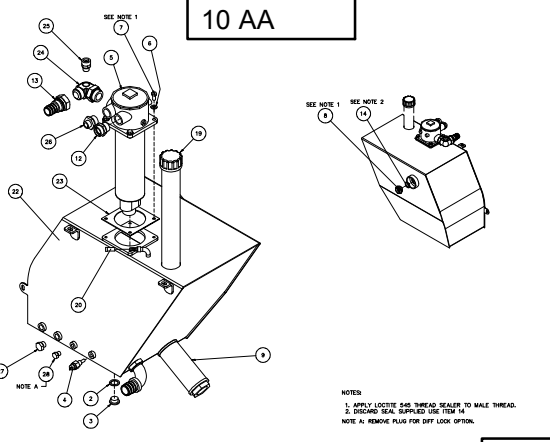
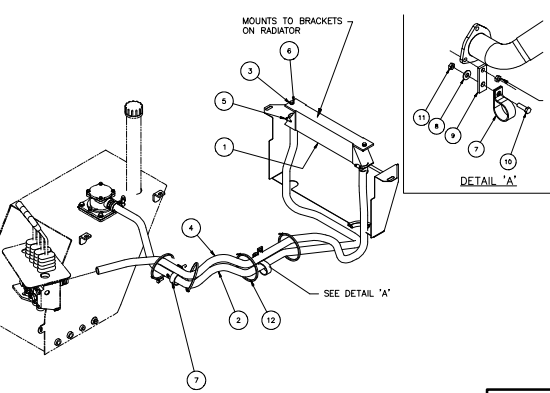

20.00

6 BB

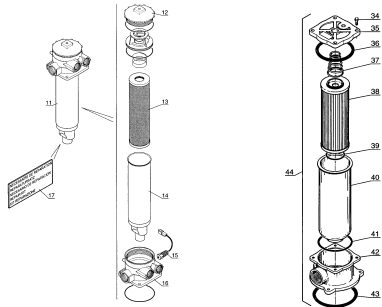


21.00

<p>7 AA</p> <p>23.00</p>	<p>7 AB</p> <p>24.00</p>	<p>8 AA</p> <p>25.00</p>
<p>8 AA</p> <p>26.00</p>	<p>8 AA</p> <p>27.00</p>	<p>8 AA</p> <p>28.00</p>
<p>8 AA</p> <p>29.00</p>		

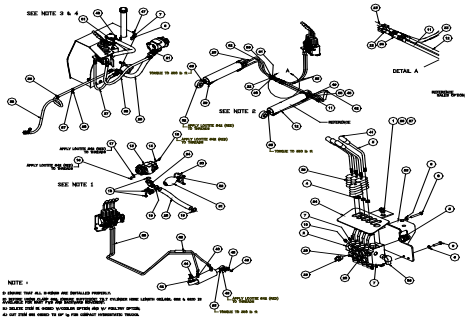
<p style="text-align: center;">8 AA</p>  <p style="text-align: right;">30.00</p>	<p style="text-align: center;">8 AA</p> <p style="text-align: center;">APPLY DIE-ELECTRIC SHRINK TO ALL ELECTRICAL CONNECTIONS</p>  <p style="text-align: right;">31.00</p>	<p style="text-align: center;">8 AD</p> <p style="text-align: center;">APPLY DIE-ELECTRIC SHRINK TO ALL ELECTRICAL CONNECTIONS</p>  <p style="text-align: right;">32.00</p>
<p style="text-align: center;">9 AA</p>  <p style="text-align: right;">33.00</p>	<p style="text-align: center;">9 AA</p>  <p style="text-align: right;">34.00</p>	<p style="text-align: center;">10 AA</p>  <p style="text-align: right;">35.00</p>
<p style="text-align: center;">10 AA</p>  <p style="text-align: right;">36.00</p>	<p style="text-align: center;">10 AA</p> <p style="text-align: center;">MOUNTS TO BRACKETS ON RADIATOR</p>  <p style="text-align: right;">37.00</p>	<p style="text-align: center;">10 AA</p>  <p style="text-align: right;">38.00</p>

10 AA



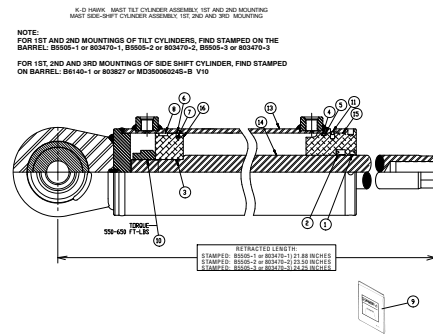
38.00

10 AA



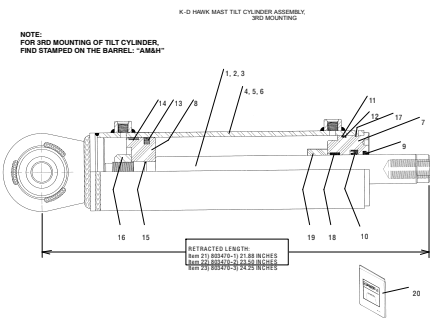
39.00

10 AE



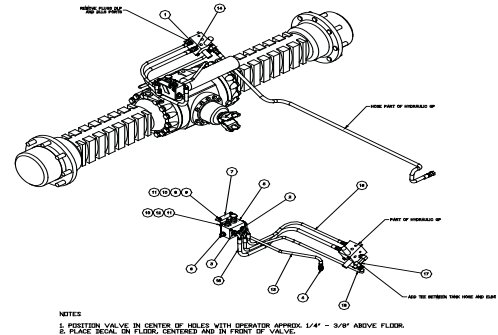
40.00

10 AE



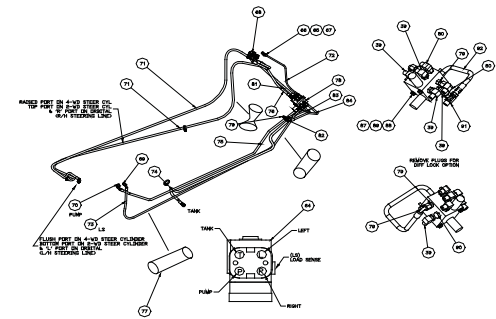
40.10

10 AF



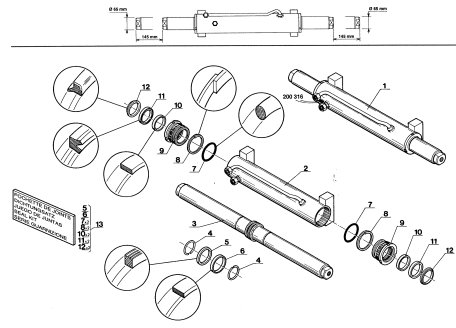
41.00

10 BA



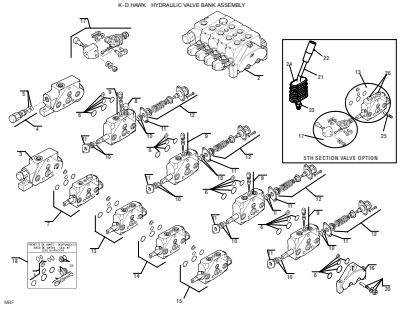
42.00

10 CE

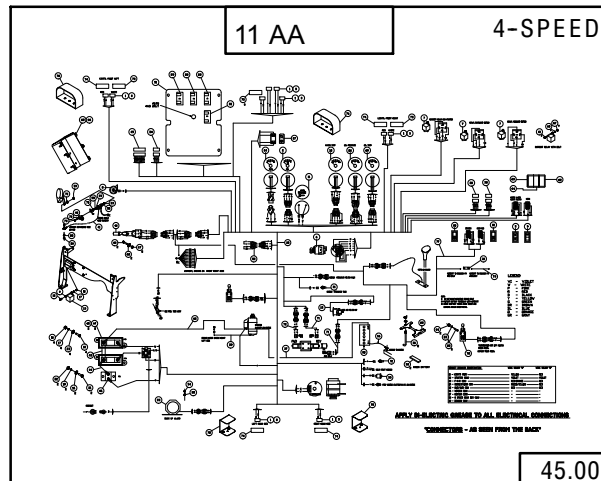


43.00

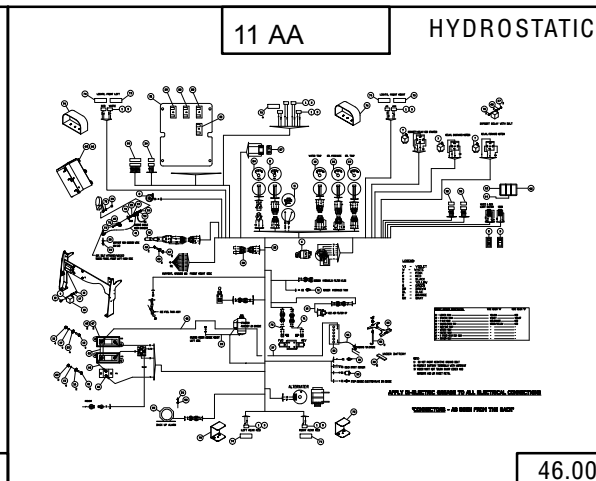
10 DA



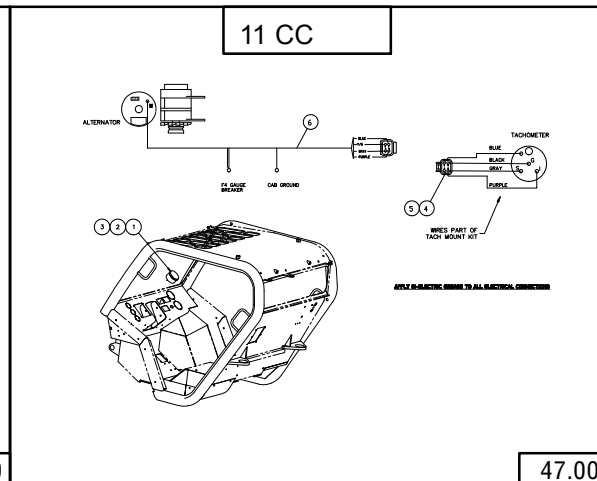
44.00



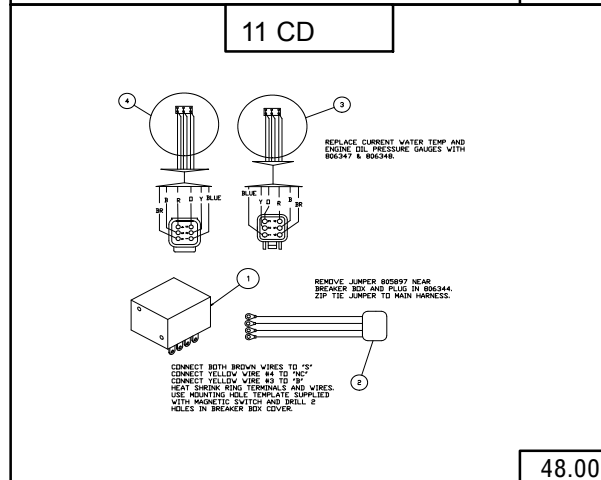
45.00



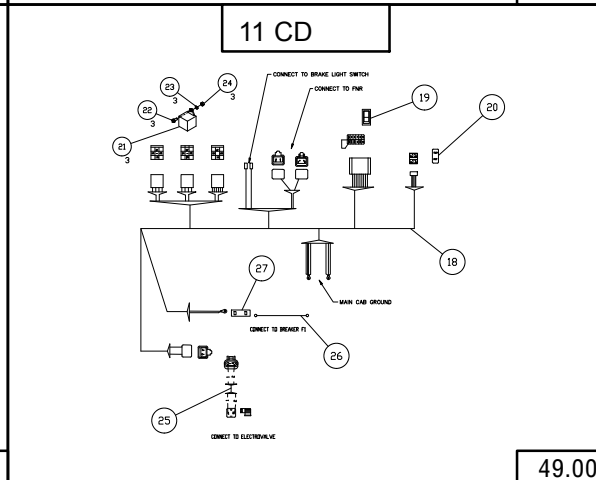
46.00



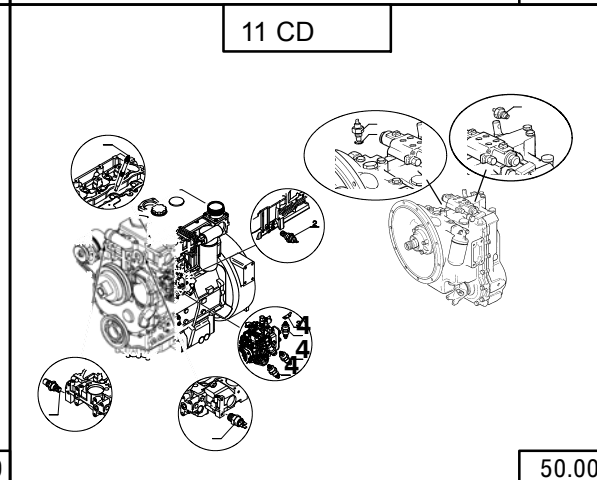
47.00



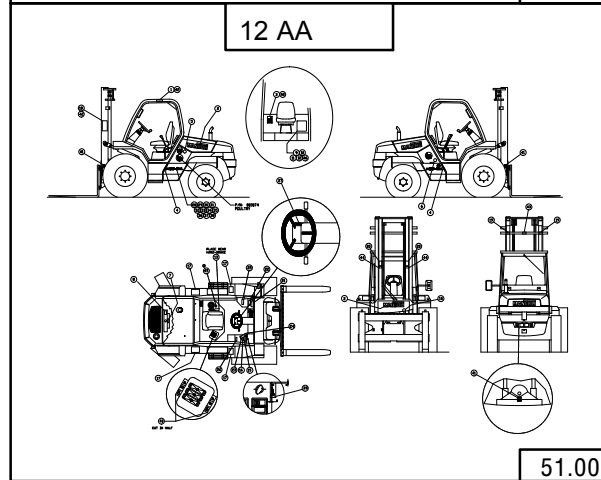
48.00



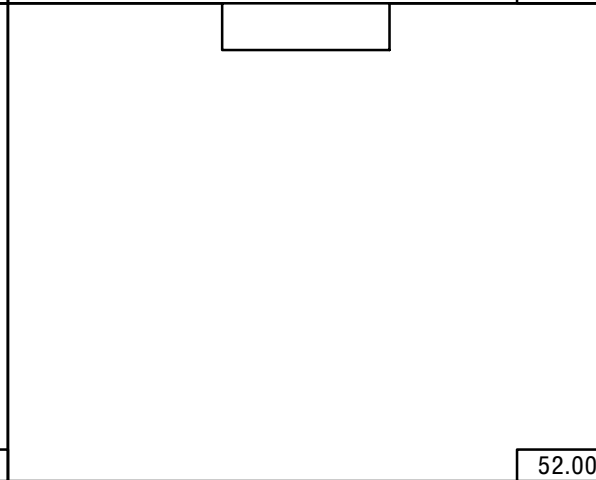
49.00



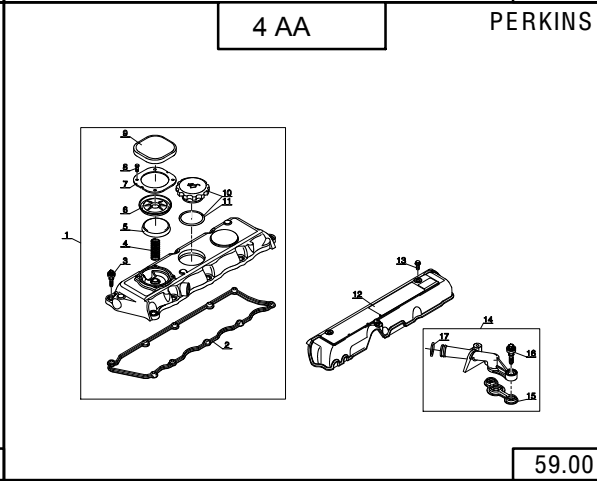
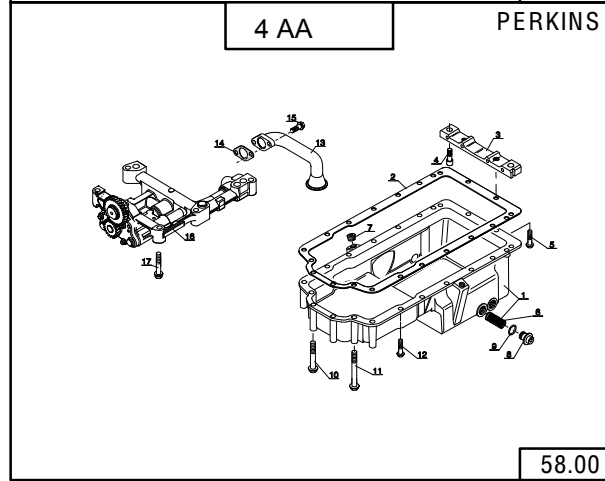
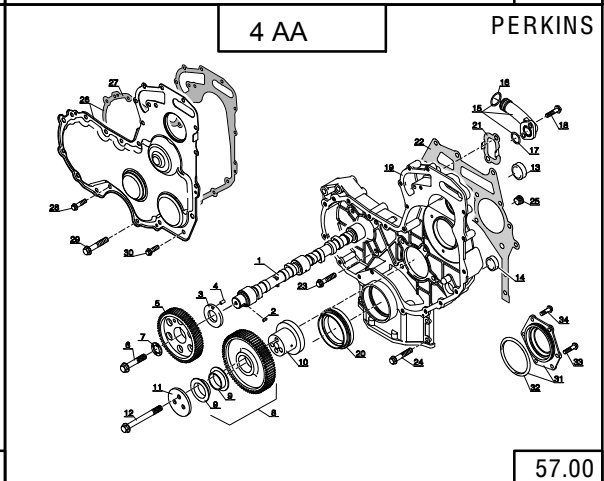
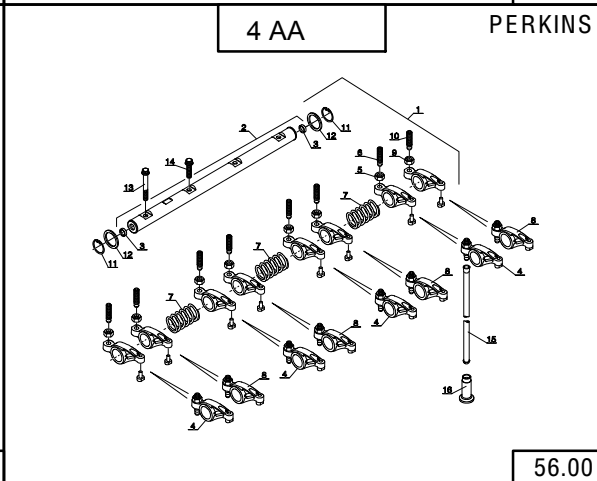
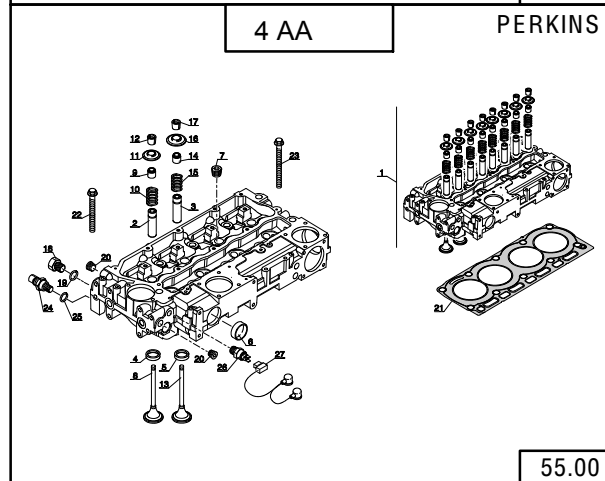
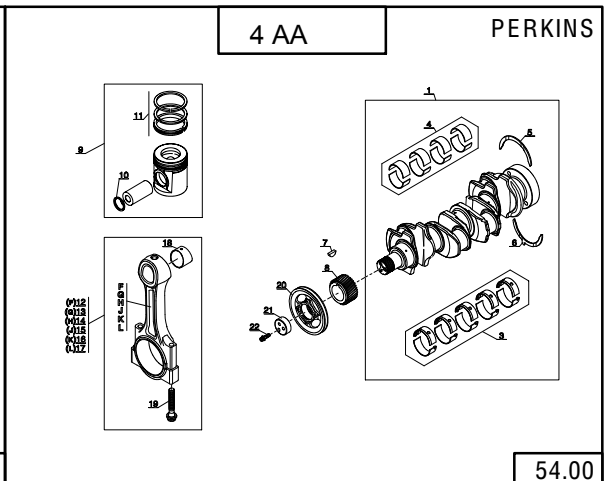
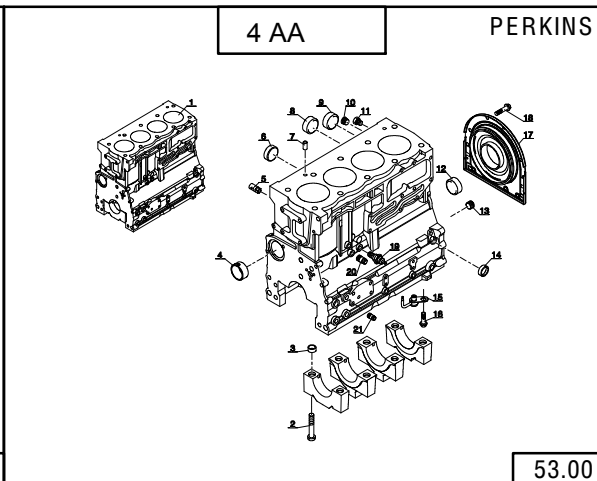
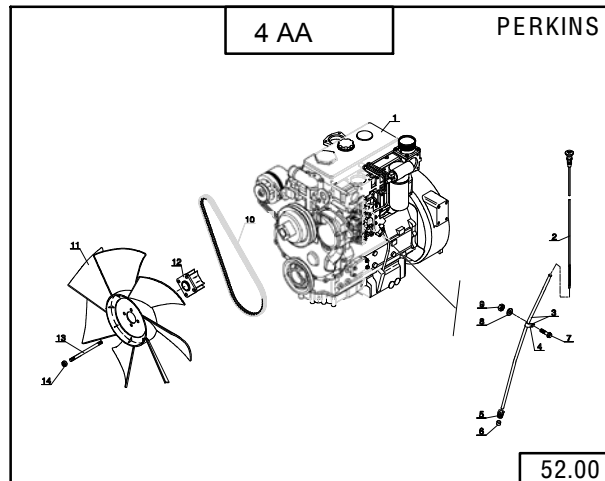
50.00

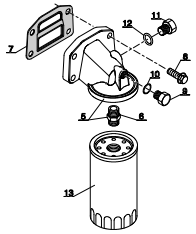
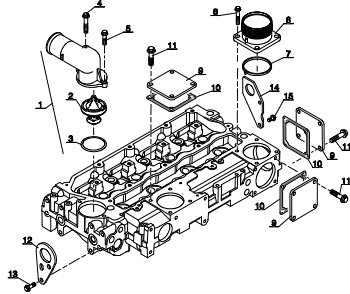
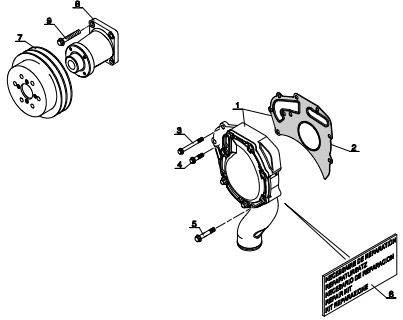
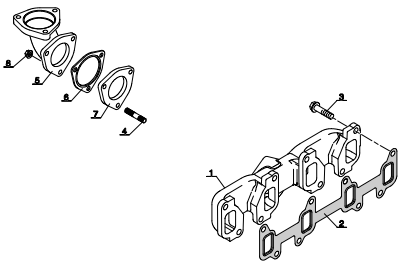
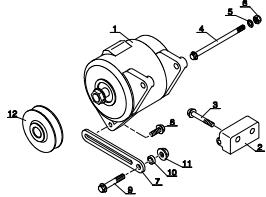
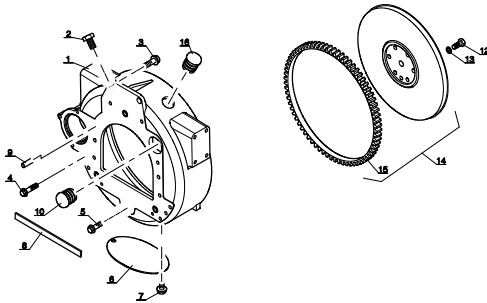
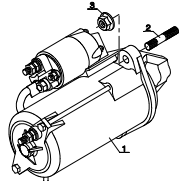
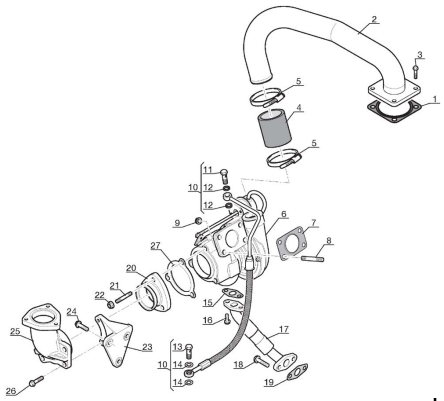


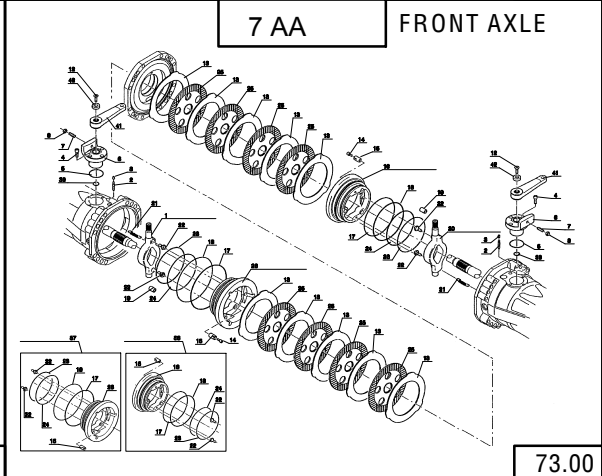
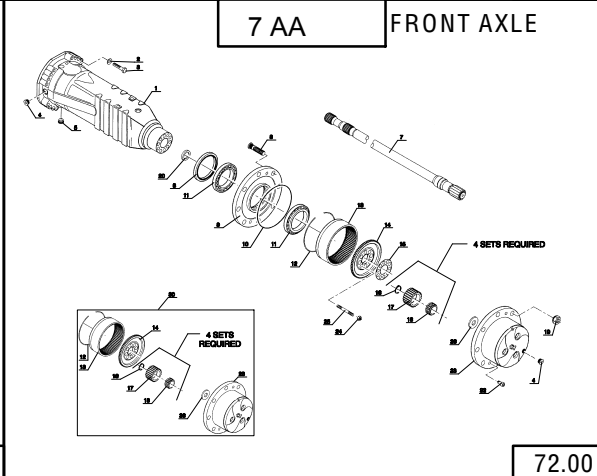
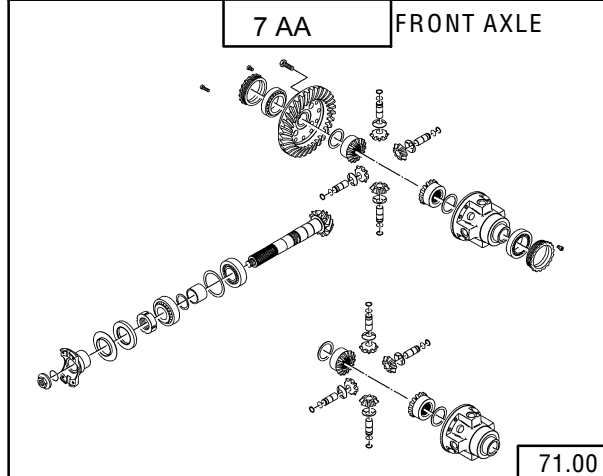
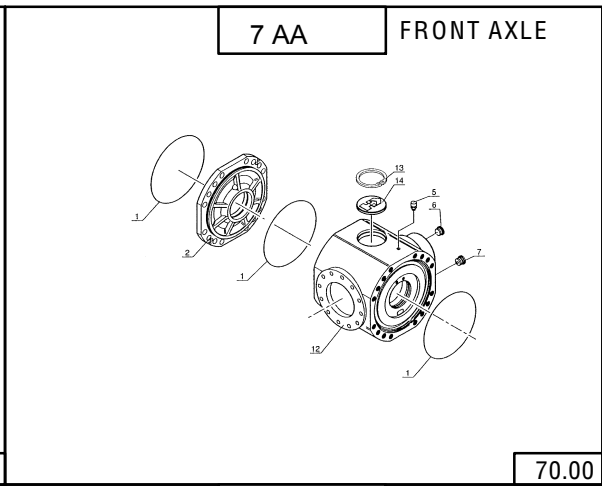
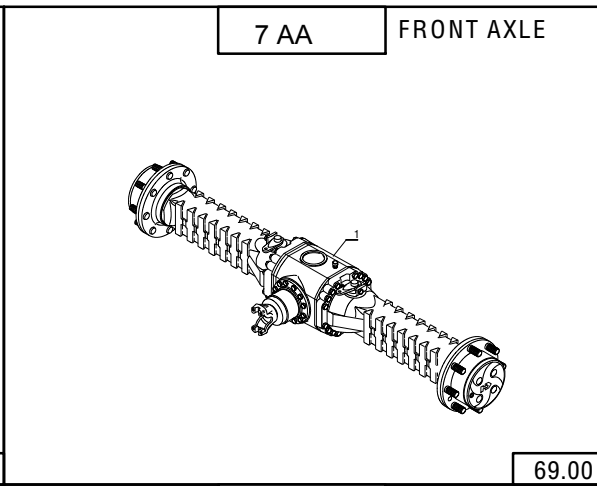
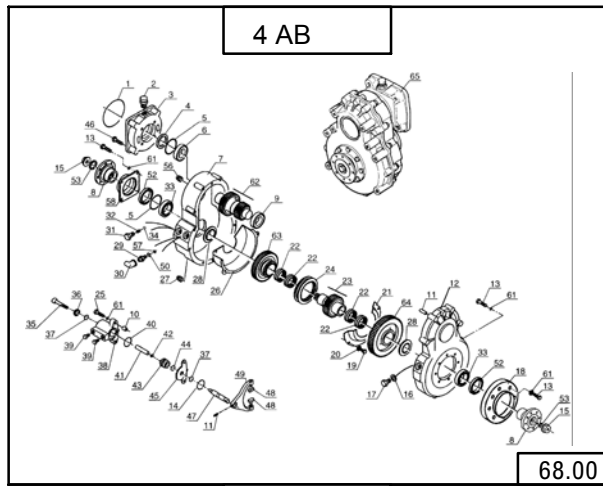
51.00

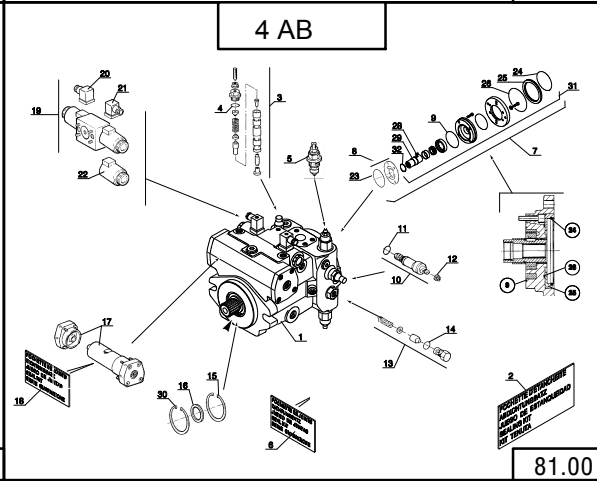
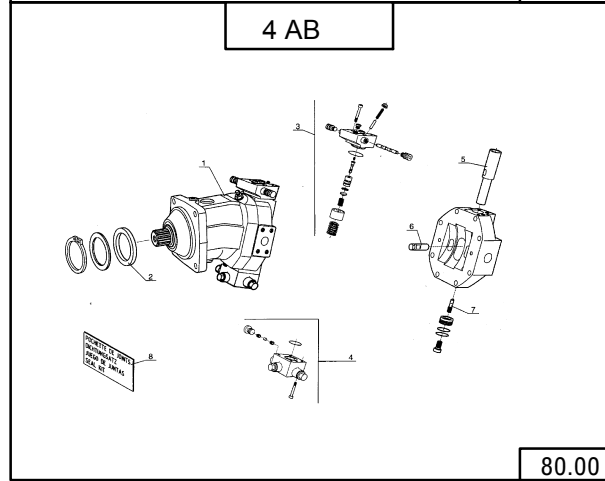
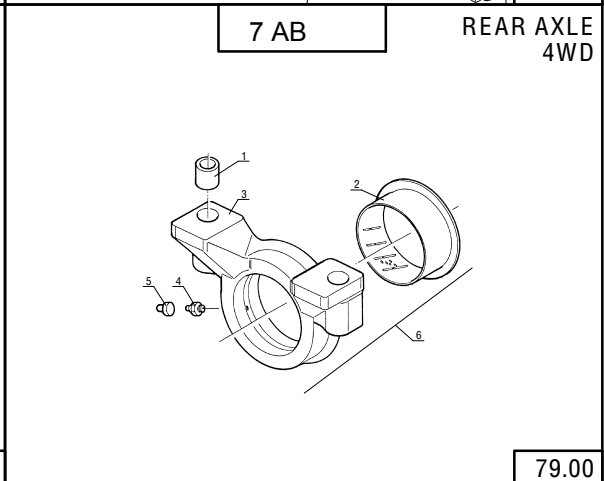
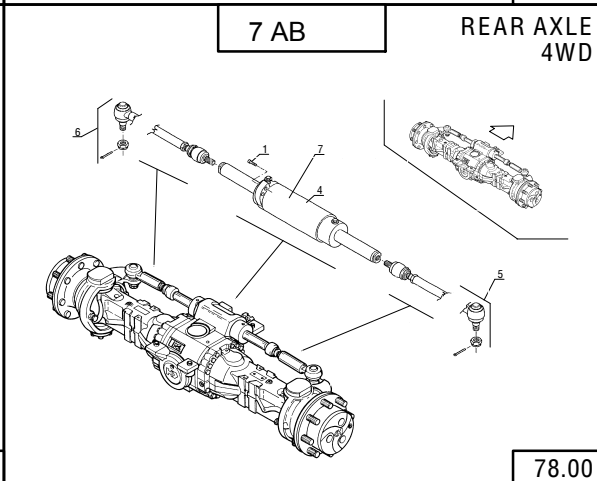
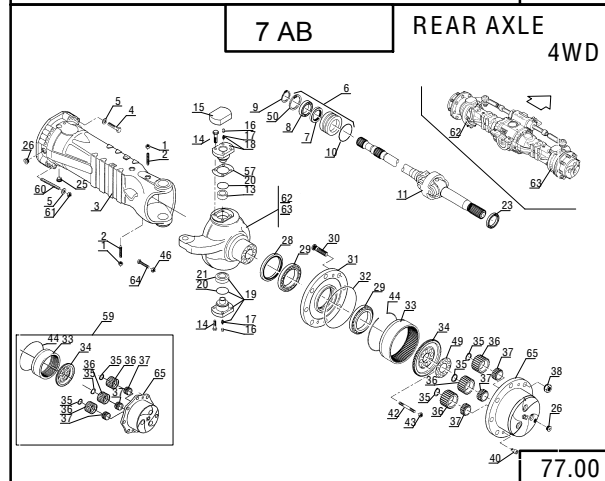
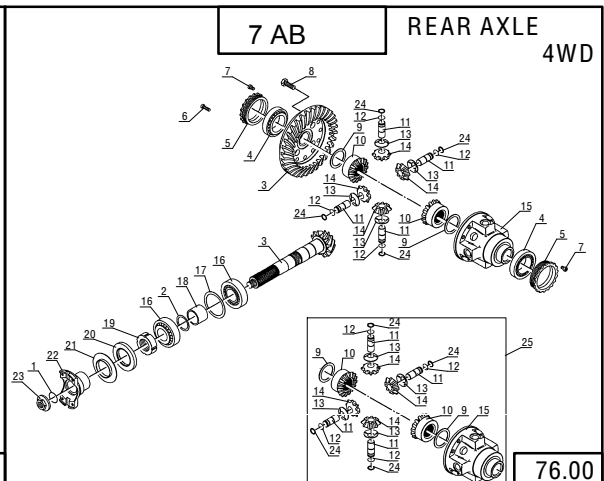
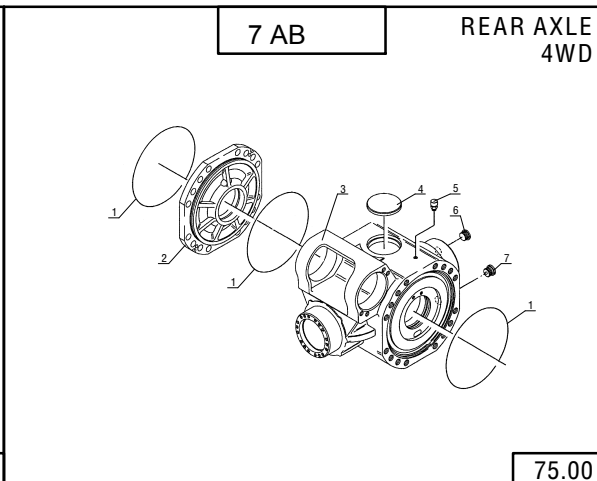
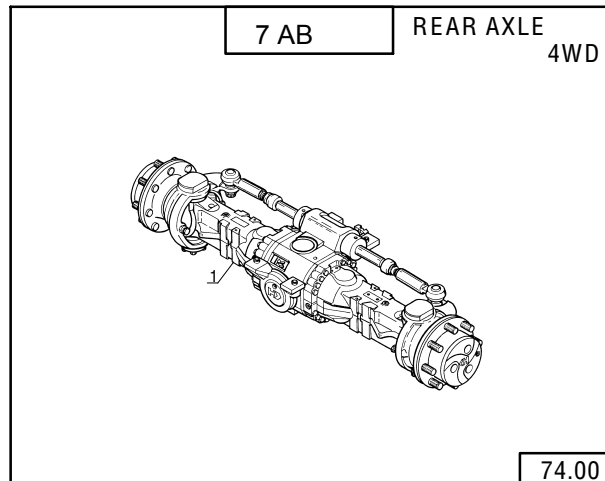


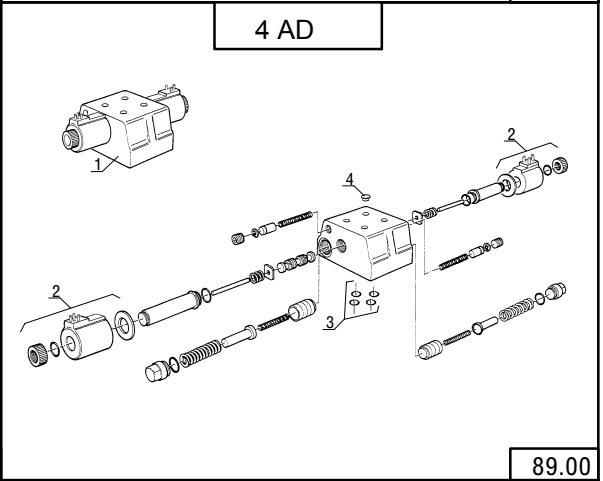
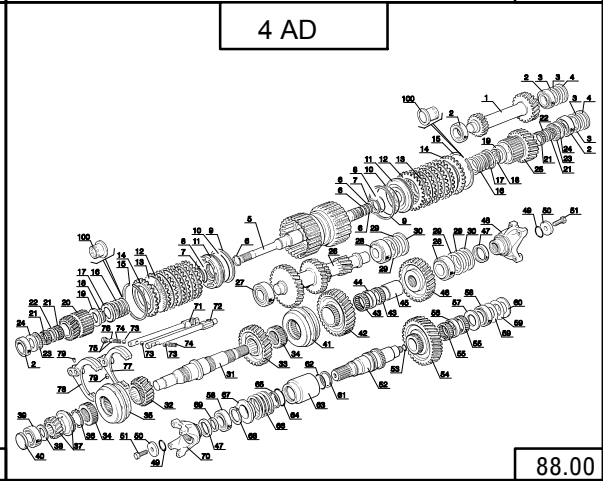
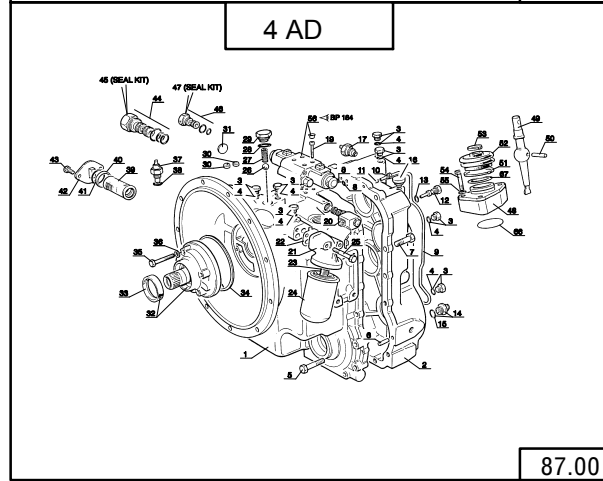
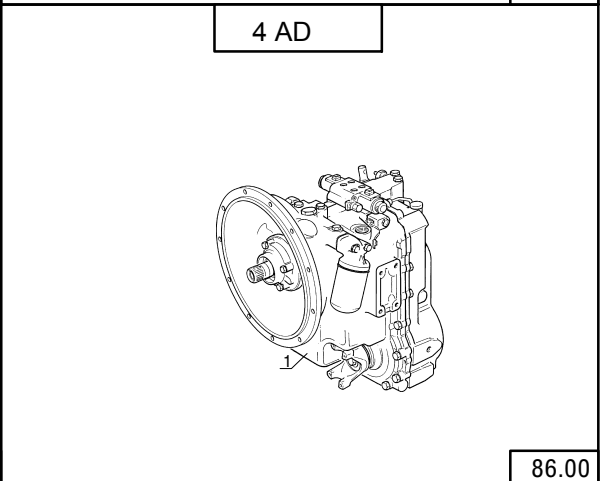
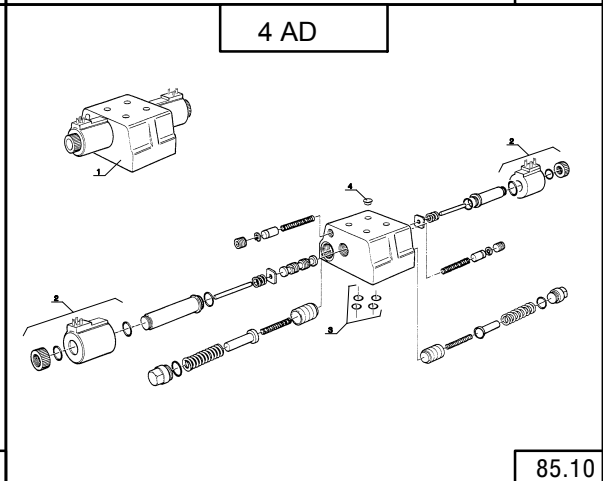
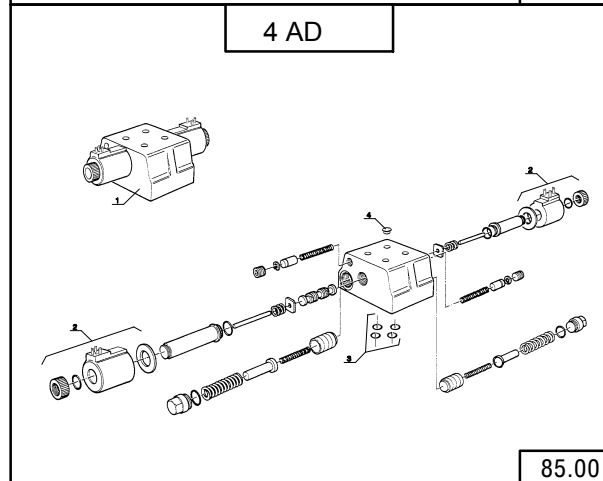
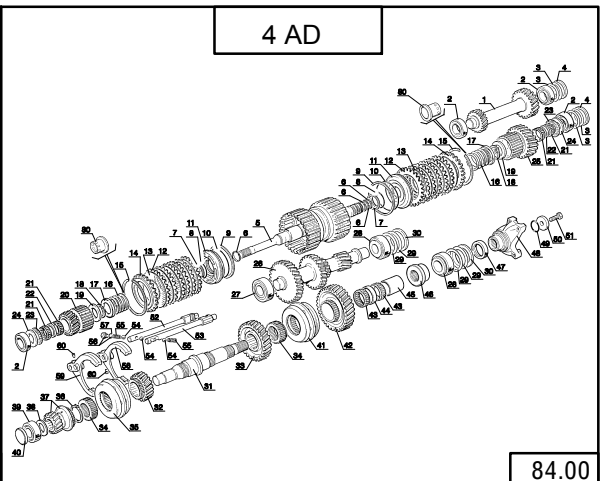
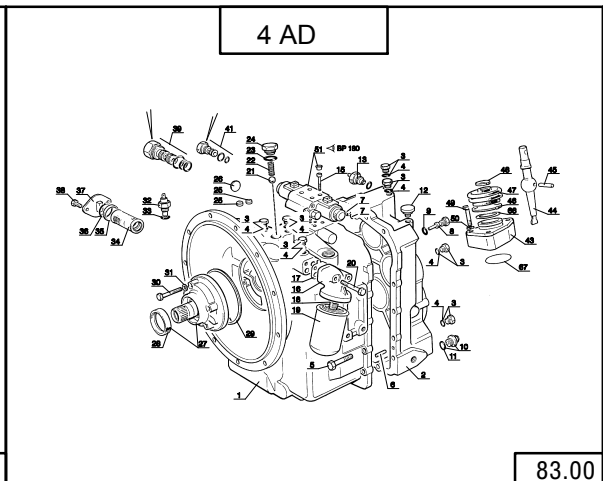
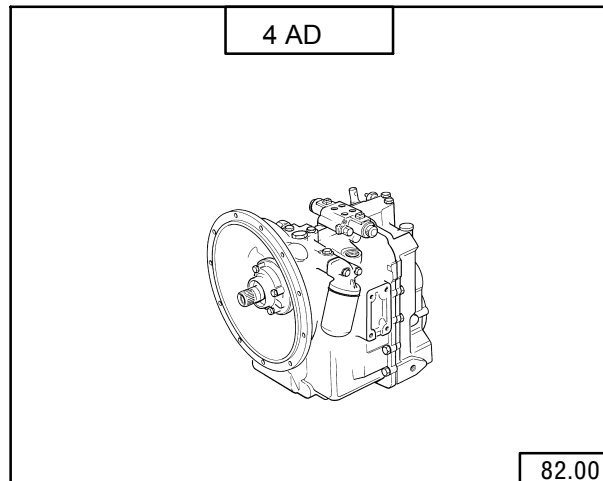
52.00



<p>4 AA PERKINS</p>  <p>60.00</p>	<p>4 AA PERKINS</p>  <p>61.00</p>	<p>4 AA PERKINS</p>  <p>62.00</p>
<p>4 AA PERKINS</p>  <p>63.00</p>	<p>4 AA PERKINS</p>  <p>64.00</p>	<p>4 AA PERKINS</p>  <p>65.00</p>
<p>4 AA PERKINS</p>  <p>66.00</p>	<p>4 AA PERKINS</p>  <p>67.00</p>	<p></p>







2 AA

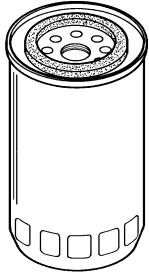
K-D HAWK FILTERS & BELTS

30-2T

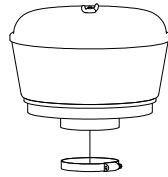
30-4T

30-2TH

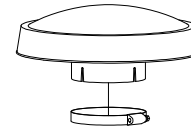
30-4TH



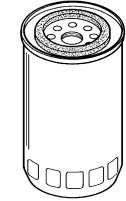
Engine Oil Filter #476954
Cat or Perkins



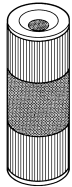
Air Intake Pre-Filter #803071
Clamp #B2236-15



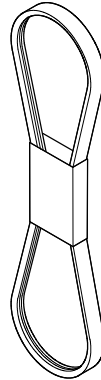
Rain Cap Pre-Filter #508565
Clamp #470680



Transmission oil Filter #561749
4 Speed transmission



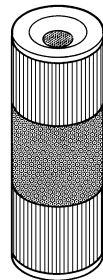
Fuel Filter Cartridge #605013
Cat or Perkins



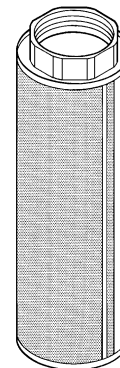
Fan Belt # 702494



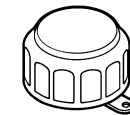
Turbo II Pre-Filter # 813120
Cap & Clamp



Hydraulic Return Oil Filter
Cartridge #221174
4 Speed Transmission
Hydrostatic #602098



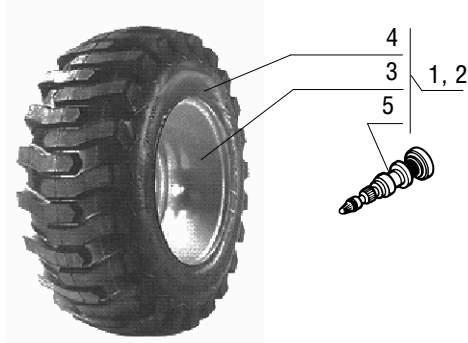
Suction Strainer for Hydraulic
Oil Tank. #424784



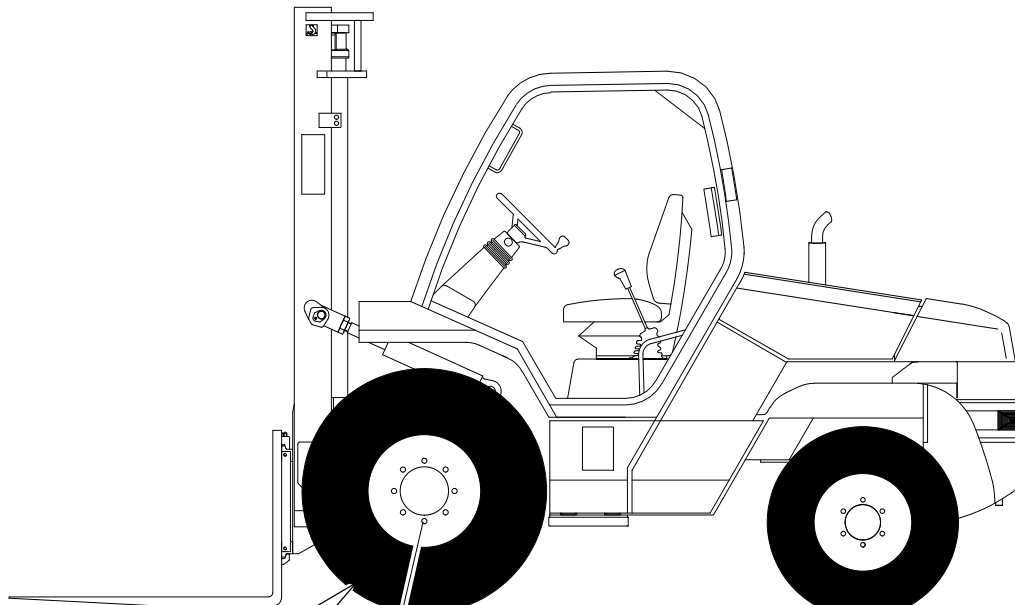
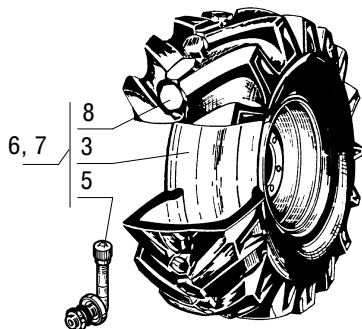
Filter Cap for Hydraulic Oil
Tank # 425501



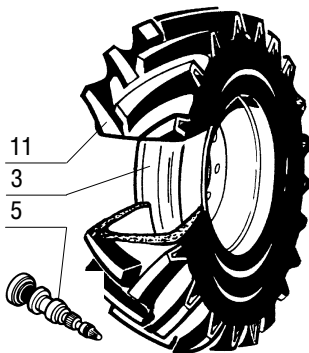
TITAN TREAD



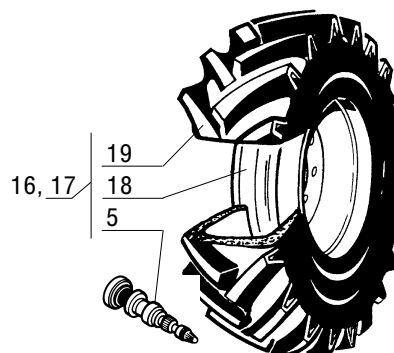
GOOD YEAR TREAD



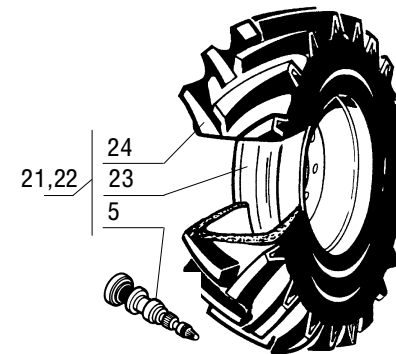
MICHELIN TREAD



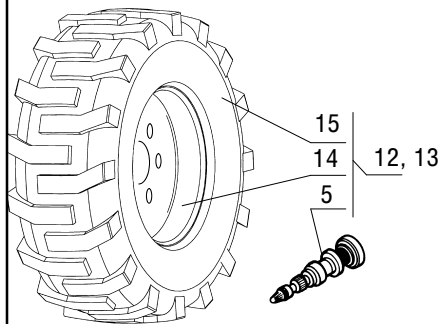
MICHELIN TREAD



DURAMAX TREAD



OTR TREAD

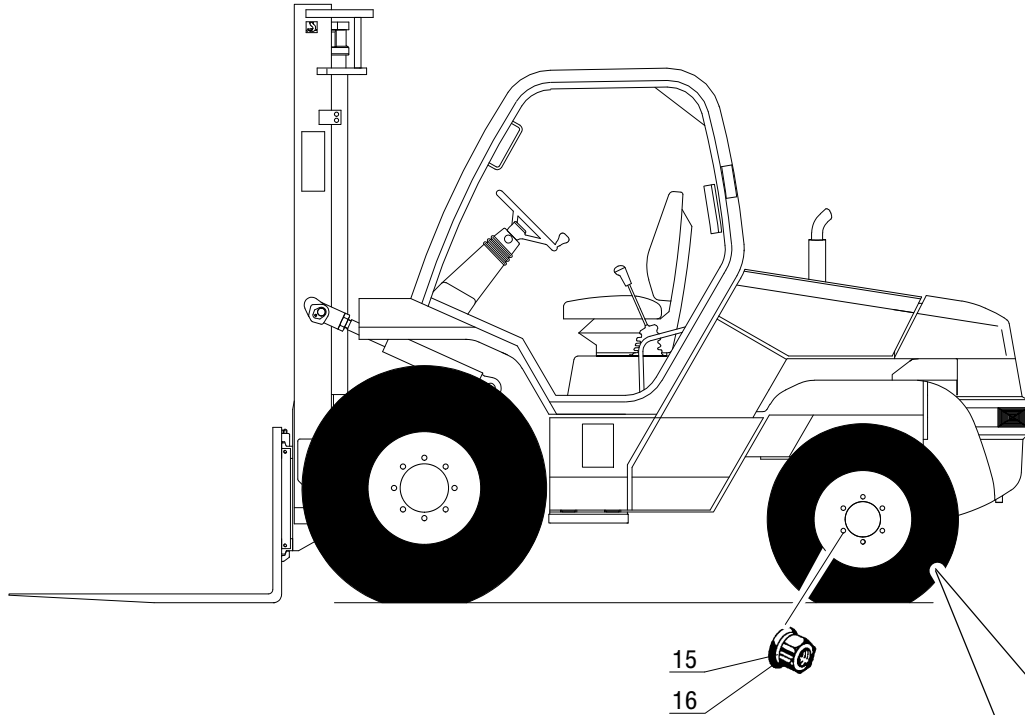


				QTY./MODEL				3 AA							
1/2		KD HAWK, TIRES AND WHEELS, FRONT		1- 30-2 T 2- 30-4 T 3- 30-2 TH 4- 30-4 TH											
ITEM	PART NO.	DESCRIPTION		1	2	3	4	5	6	7	8	9	10	11	12
1	804460R	Front wheel assembly, RH (100 & 81 in. cabs, 6K) Titan 17.5x24 R--4		1	1	1	1								
2	804460L	Front wheel assembly, LH (100 & 81 in. cabs, 6K) Titan 17.5x24 R--4		1	1	1	1								
3	804458	Front wheel (100 & 81 in. cabs, 6K)		A/R	A/R	A/R	A/R								
4	802127	Front tire, Titan 17.5x24 R--4 (100 & 81 in. cabs, 6K)		A/R	A/R	A/R	A/R								
5	802118	Tire valve, front		A/R	A/R	A/R	A/R								
6	804462R	Front wheel assembly, RH (100 & 81 in. cabs, 6K) Good Year 16.9x24 R--4		1	1	1	1								
7	804462L	Front wheel assembly, LH (100 & 81 in. cabs, 6K) Good Year 16.9x24 R--4		1	1	1	1								
8	803007	Front tire, Good Year 16.9x24 R--4 (100 & 81 in. cabs, 6K)		A/R	A/R	A/R	A/R								
9	804464R	Front wheel assembly, RH (100 & 81 in. cabs, 6K) Michelin 17.5x24 XM27		1	1	1	1								
10	804464L	Front wheel assembly, LH (100 & 81 in. cabs, 6K) Michelin 17.5x24 XM27		1	1	1	1								
11	803011	Front tire, Michelin 17.5x24 XM27 (100 & 81 in. cabs, 6K)		A/R	A/R	A/R	A/R								
12	804442R	Front wheel assembly, RH (77 in. cab, 6K) OTR 15x19.5		1	1	1	1								
13	804442L	Front wheel assembly, LH (77 in. cab, 6K)		1	1	1	1								

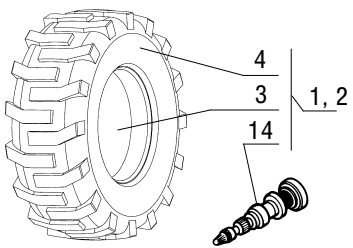
2.00

		QTY./MODEL				3 AA											
2/2		KD HAWK, TIRES AND WHEELS, FRONT				1- 30-2 T 2- 30-4 T 3- 30-2 TH 4- 30-4 TH											
ITEM	PART NO.	DESCRIPTION				1	2	3	4	5	6	7	8	9	10	11	12
14	804440	Front wheel (77 in. cab, 6K)				A/R	A/R	A/R	A/R								
15	802126	Front tire, OTR 15x19.5 (77 in. cab, 6K)				A/R	A/R	A/R	A/R								
16	804439R	Front wheel assembly, RH (77 in. cab, 6K) Michelin 375/75R20 XM27				1	1	1	1								
17	804439L	Front wheel assembly, LH (77 in. cab, 6K) Michelin 375/75R20 XM27				1	1	1	1								
18	804436	Front wheel (77 in. cab, 6K)				A/R	A/R	A/R	A/R								
19	802964	Front tire, Michelin 375/75R20 XM27 (77 in. cab, 6K)				A/R	A/R	A/R	A/R								
20	109480	Nut, drive wheel				A/R	A/R	A/R	A/R								
21	813125L	Tire Assy. Drive LH Duramax 15.5x25				1	1	1	1								
22	813125R	Tire Assy. Drive RH Duramax 15.5x25				1	1	1	1								
23	804443	Rim Assy.				A/R	A/R	A/R	A/R								
24	813126	TIRE, DURAMAX 15.5x25				A/R	A/R	A/R	A/R								

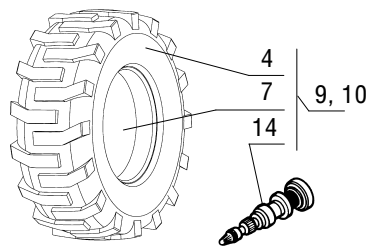
2.00



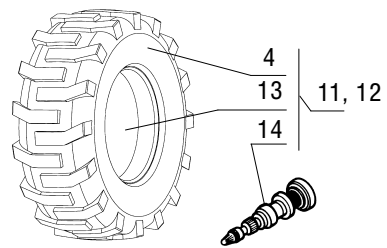
OTR TREAD (2WD)



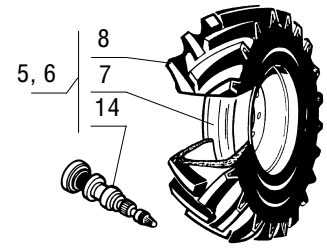
OTR TREAD (2WD)



OTR TREAD (4WD)

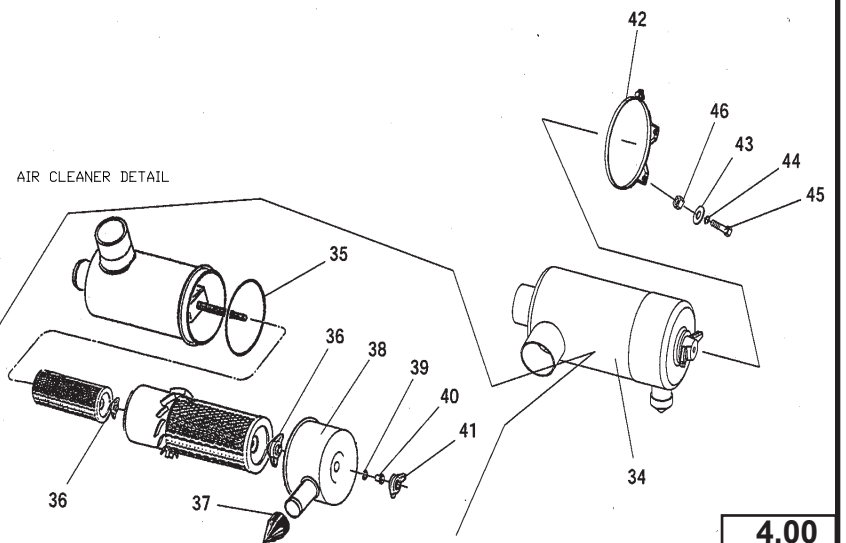
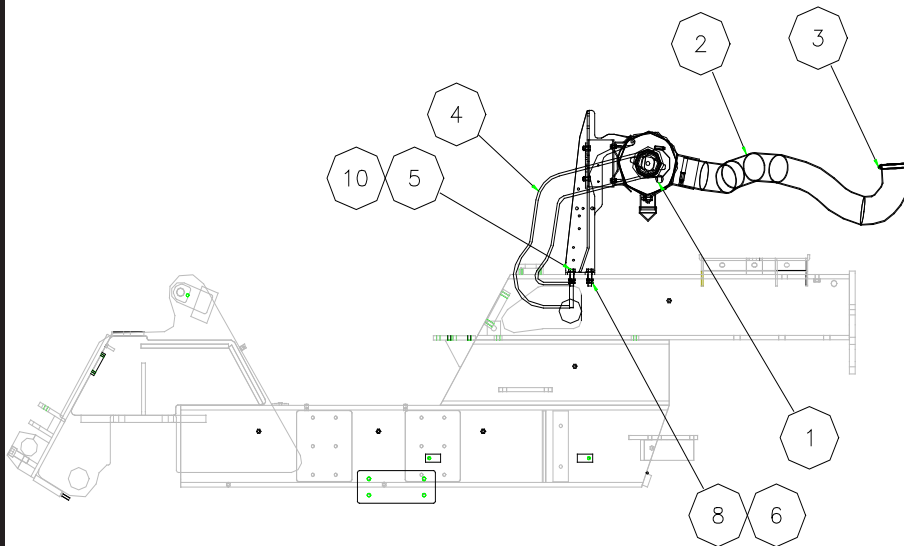
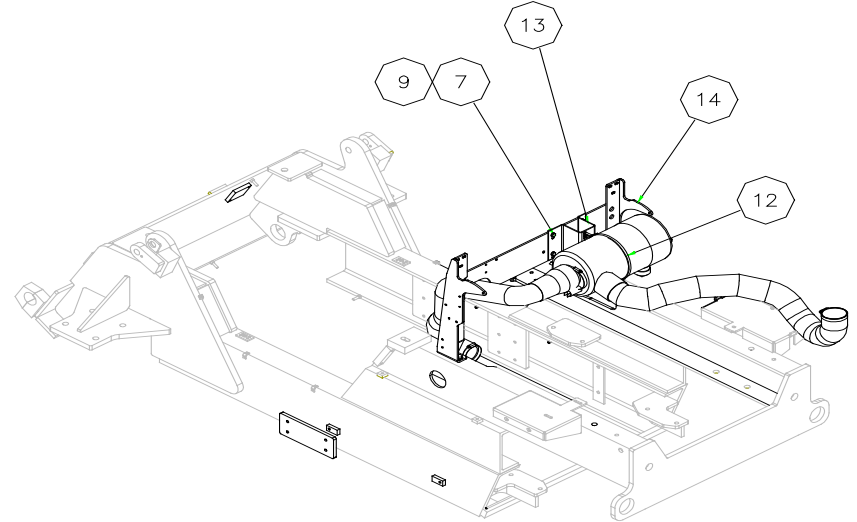
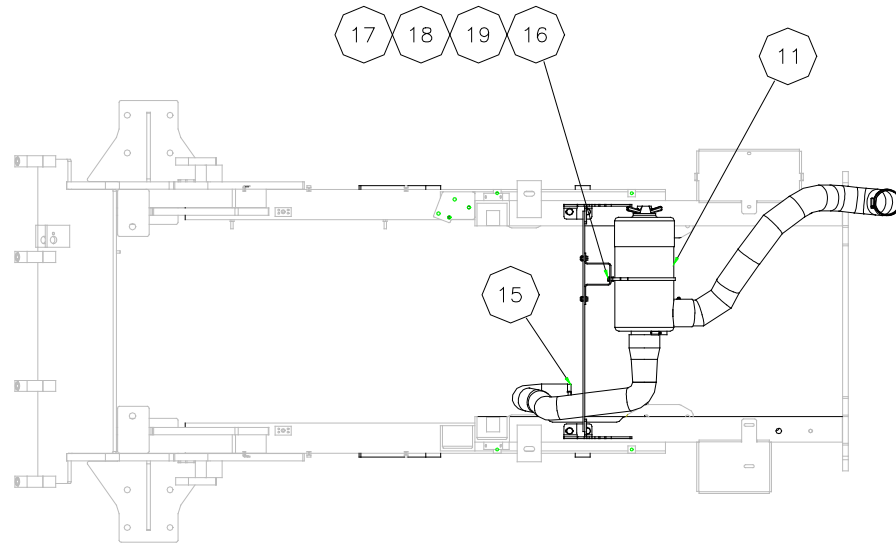


MICHELIN TREAD (2WD)

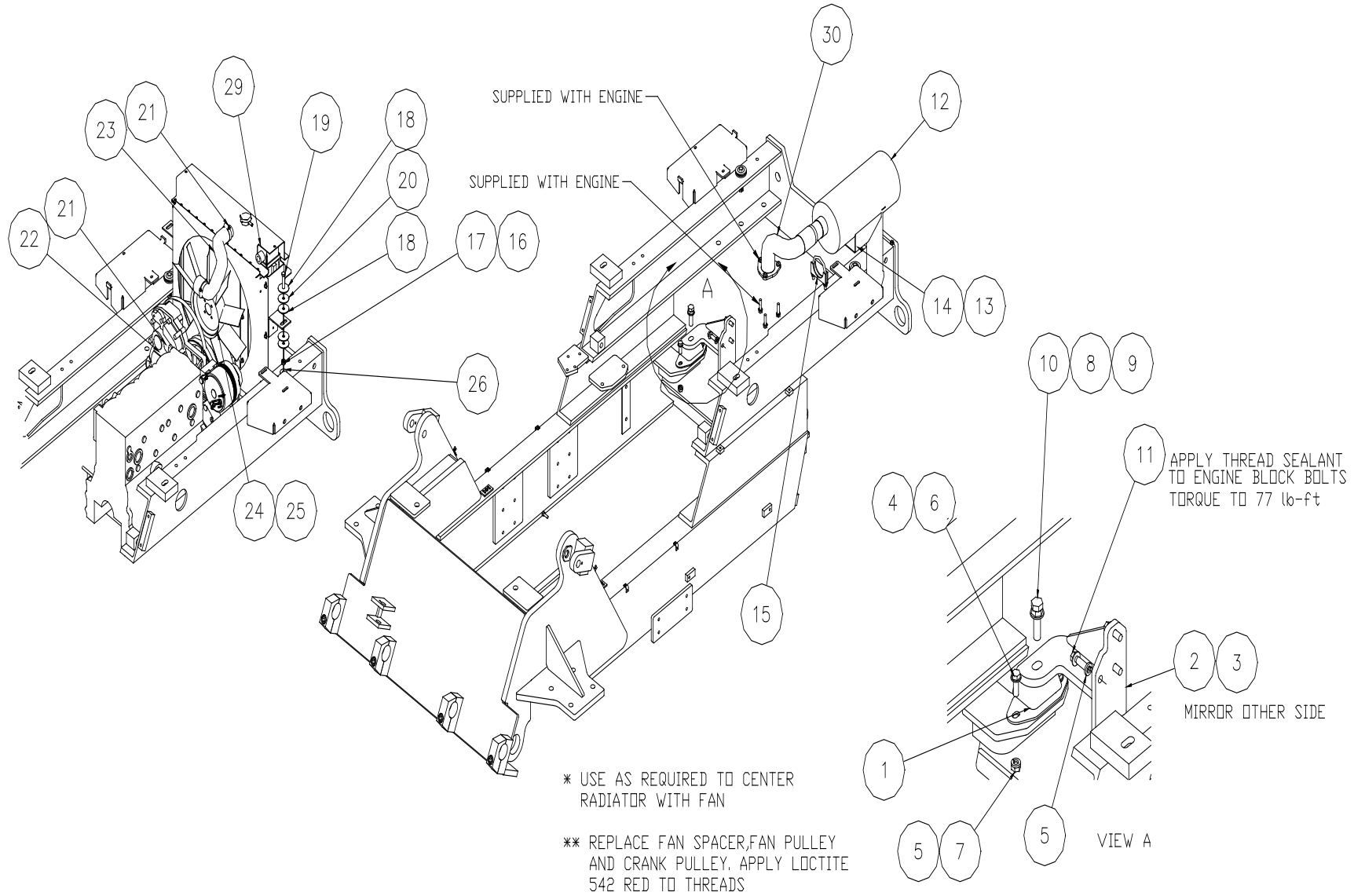


		QTY./MODEL				3 AA											
1/2		KD HAWK, TIRES AND WHEELS, REAR				1- 30-2 T 2- 30-4 T 3- 30-2 TH 4- 30-4 TH											
ITEM	PART NO.	DESCRIPTION				1	2	3	4	5	6	7	8	9	10	11	12
1	804454R	Rear wheel assembly, RH (100 & 81 in. cabs, 6K -- 12K) OTR 12x16.5				1	1	1	1								
2	804454L	Rear wheel assembly, LH (100 & 81 in. cabs, 6K -- 12K) OTR 12x16.5				1	1	1	1								
3	804452	Rear wheel (100 & 81 in. cabs, 6K -- 12K)				A/R	A/R	A/R	A/R								
4	802661	Rear tire, OTR 12x16.5 (100 & 81 in. cabs, 6K -- 12K)				A/R	A/R	A/R	A/R								
5	804448R	Rear wheel assembly, RH (100, 81 & 77 in. cabs, 6K) Michelin 12x16.5 XZSL				1	1	1	1								
6	804448L	Rear wheel assembly, LH (100, 81 & 77 in. cabs, 6K) Michelin 12x16.5 XZSL				1	1	1	1								
7	804446	Rear wheel (100, 81 & 77 in. cabs, 6K)				A/R	A/R	A/R	A/R								
8	803004	Rear tire, Michelin 12x16.5 XZSL (100, 81 & 77 in. cabs, 6K)				A/R	A/R	A/R	A/R								
9	804450R	Rear wheel assembly, RH (77 in. cab, 6K) OTR 12x16.6				1	1	1	1								
10	804450L	Rear wheel assembly, RH (77 in. cab, 6K) OTR 12x16.6				1	1	1	1								
															3.00		

		QTY./MODEL										3 AA		
2/2		KD HAWK, TIRES AND WHEELS, REAR										1- 30-2 T 2- 30-4 T 3- 30-2 TH 4- 30-4 TH		
ITEM	PART NO.	DESCRIPTION	1	2	3	4	5	6	7	8	9	10	11	12
11	804457R	Rear wheel assembly, RH (100 & 81 in. cabs, 6K -- 12K) OTR 12x16.5	1											
12	804457L	Rear wheel assembly, LH (100 & 81 in. cabs, 6K -- 12K) OTR 12x16.5	1											
13	804455	Rear wheel (100 & 81 in. cabs, 6K -- 12K)	A/R											
14	803543	Valve stem, rear	A/R											
15	421116	Nut, rear steer wheel (2WD ONLY)	A/R											
16	475260	Nut, rear steer wheel (4WD ONLY)	A/R											
												3.00		



				QTY.				4 AA							
1/1		KD HAWK AIR INTAKE SYSTEM, INSTALLATION		1- 30-2 H 2- 30-4 H 3- 30-2 HT 4- 30-4 HT											
ITEM	PART NO.	DESCRIPTION		1	2	3	4	5	6	7	8	9	10	11	12
1	224776	Hose clamp		1	1	1	1								
2	249424	Hose		1	1	1	1								
3	229587	Hose Clamp		3	3	3	3								
4	270650	Hose, Turbo		1	1	1	1								
5	29475	Bolt, M12 x 45		4	4	4	4								
6	42231	Washer, M12 Lock		4	4	4	4								
7	42347	Bolt, M8 - 1.25 x 20 PC8.8 Hex		4	4	4	4								
8	58548	Nut, M12 - 1.75 Hex		4	4	4	4								
9	61674	Washer M 8 Flat		4	4	4	4								
10	61676	Washer, M 12 Flat		4	4	4	4								
11	804338	Air Filter		1	1	1	1								
12	804339	Mounting Band		1	1	1	1								
13	804500	Bracket, Air Filter		1	1	1	1								
14	807459	Bracket Assy. Hood		1	1	1	1								
15	B2236-12	Clamp		1	1	1	1								
16	K20424	Bolt, 1/4 x 1-1/4		2	2	2	2								
17	K33795	Nut, 1/4 - 20		2	2	2	2								
18	K34805	Washer, 1/4 Lock		2	2	2	2								
19	K44719	Washer, 1/4 Flat		2	2	2	2								
20	29469	Washer,		2	2	2	2								
21	226807	Hose		1	1	1	1								
35	426206	O-Ring		1	1	1	1								
36	803653	Wing Nut		2	2	2	2								
37	426203	Dust Ejector		1	1	1	1								
38	803656	Cover, Filter Housing		1	1	1	1								
39	426197	E-Ring		1	1	1	1								
40	426196	Washer		1	1	1	1								
41	426198	Wing Nut		1	1	1	1								
													4.00		



				QTY.				4 AA							
1/2		KD HAWK ENGINE, RADIATOR & MUFFLER MOUNTINGS		1- 30-2 H 2- 30-4 H 3- 30-2 HT 4- 30-4 HT											
ITEM	PART NO.	DESCRIPTION		1	2	3	4	5	6	7	8	9	10	11	12
1	242496	Engine Mount. Rubber		2	2	2	2								
2	801949	Engine Mount, Rear RH		1	1	1	1								
3	801950	Engine Mount, Rear LH		1	1	1	1								
4	61676	Washer, M12 Plated Flat		4	4	4	4								
5	42231	Washer, M12 Lock		10	10	10	10								
6	58546	Bolt, M12-1.75x35 Hex		4	4	4	4								
7	58548	Nut, M12-1.75 Hex		4	4	4	4								
8	62203	Washer, M16 Flat		2	2	2	2								
9	42813	Nut, M16 2		2	2	2	2								
10	168365	Bolt, M16 - 2x60 Hex		2	2	2	2								
11	KN605815	Bolt, M12-1.75 x 35		6	6	6	6								
12	803501	Muffler, M Series T2, T3		1	1	1	1								
13	42347	Bolt, M8-1.25x20 PC8.8 Hex		2	2	2	2								
14	42325	Washer, M8 Lock 2		2	2	2	2								
15	423625	Clamp, Exhaust, 2-1/2"		1	1	1	1								
16	56354	Nut, M10 x 1.25 Hex 2		2	2	2	2								
17	42232	Washer, M10 Lock		2	2	2	2								
18	36010*	Washer		12	12	12	12								
19	58538	Bolt, M10-1.5x70 PC8.8		2	2	2	2								
20	73979 *	Washer, Rubber		8	8	8	8								
21	B2236-8	Hose, Clamp		2	2	2	2								
22	248378	Hose, Water Lower		1	1	1	1								
23	248379	Hose, Water Upper		1	1	1	1								
24	807867	Fan, 18", 45		1	1	1	1								
25	807850**	Spacer, Fan		1	1	1	1								
26	806757	Isolator		2	2	2	2								
27	265765	Engine, 1104D TIII		1	1	1	1								
27	807238	Cat Engine, 318-7159 C4.4 Diesel Turbo TIII		1	1	1	1								
28	806790*	Spacer, 3/8		2	2	2	2								

5.00

		QTY.				4 AA											
2/2		KD HAWK RADIATOR & MUFFLER MOUNTINGS				1- 30-2 H 2- 30-4 H 3- 30-2 HT 4- 30-4 HT											
ITEM	PART NO.	DESCRIPTION				1	2	3	4	5	6	7	8	9	10	11	12
29	807296	Radiator Complete TIII				1	1	1	1								
30	804684	Exhaust Tube Turbo				1	1	1	1								
31	552639**	Pulley Fan				1	1	1	1								
32	474036**	Pulley Crank				1	1	1	1								
33	61323**	Bolt, M8-1.25x35				4	4	4	4								
34	61674**	Washer, M8 Flat				4	4	4	4								
35	702494	Belt Fan				1	1	1	1								
36	B2236-10	Clamp, Radiator Hose				2	2	2	2								
															5.00		

4 AA

K-D HAWK

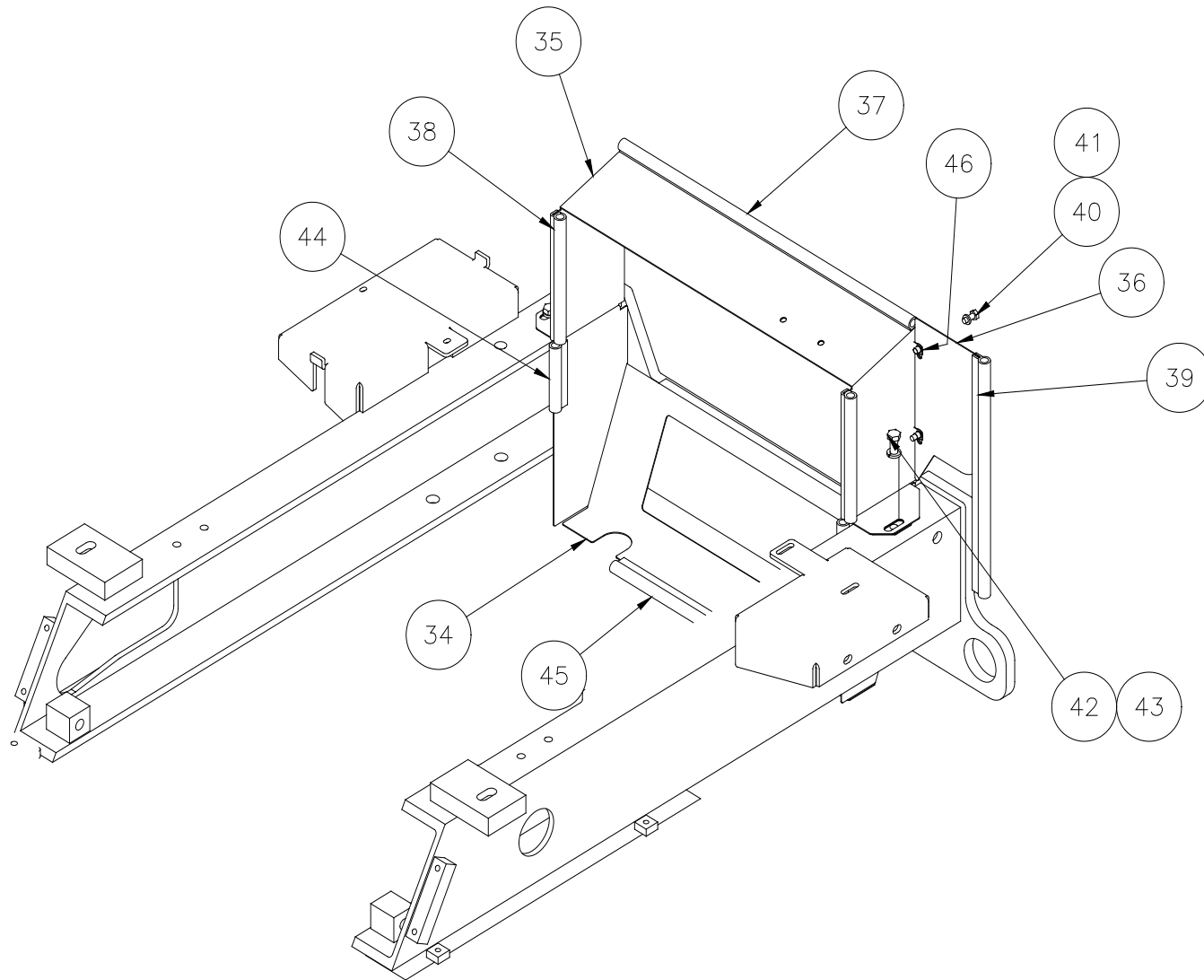
RADIATOR COOLER TRAYS

30-2T

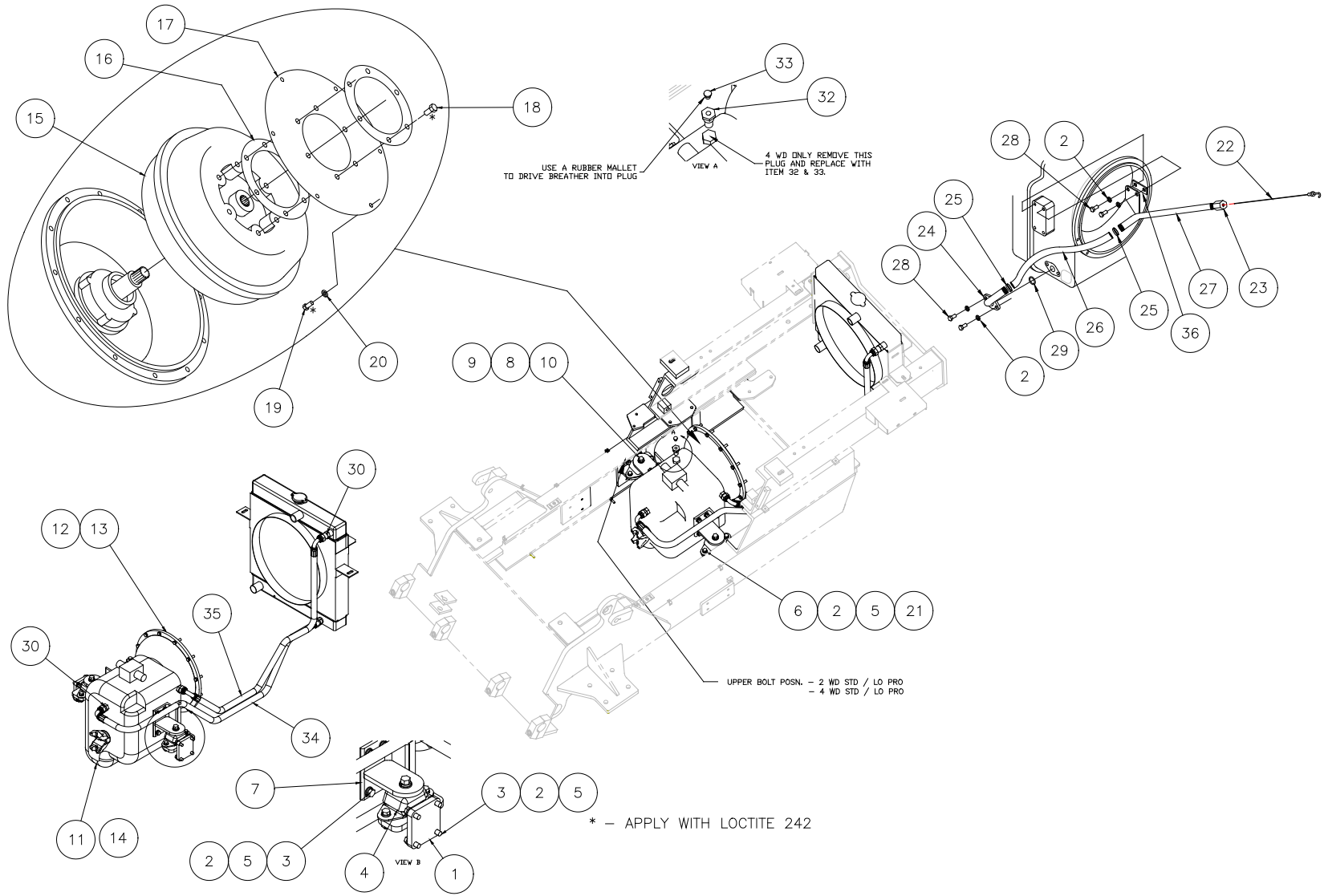
30-4T

30-2 TH

30-4 TH



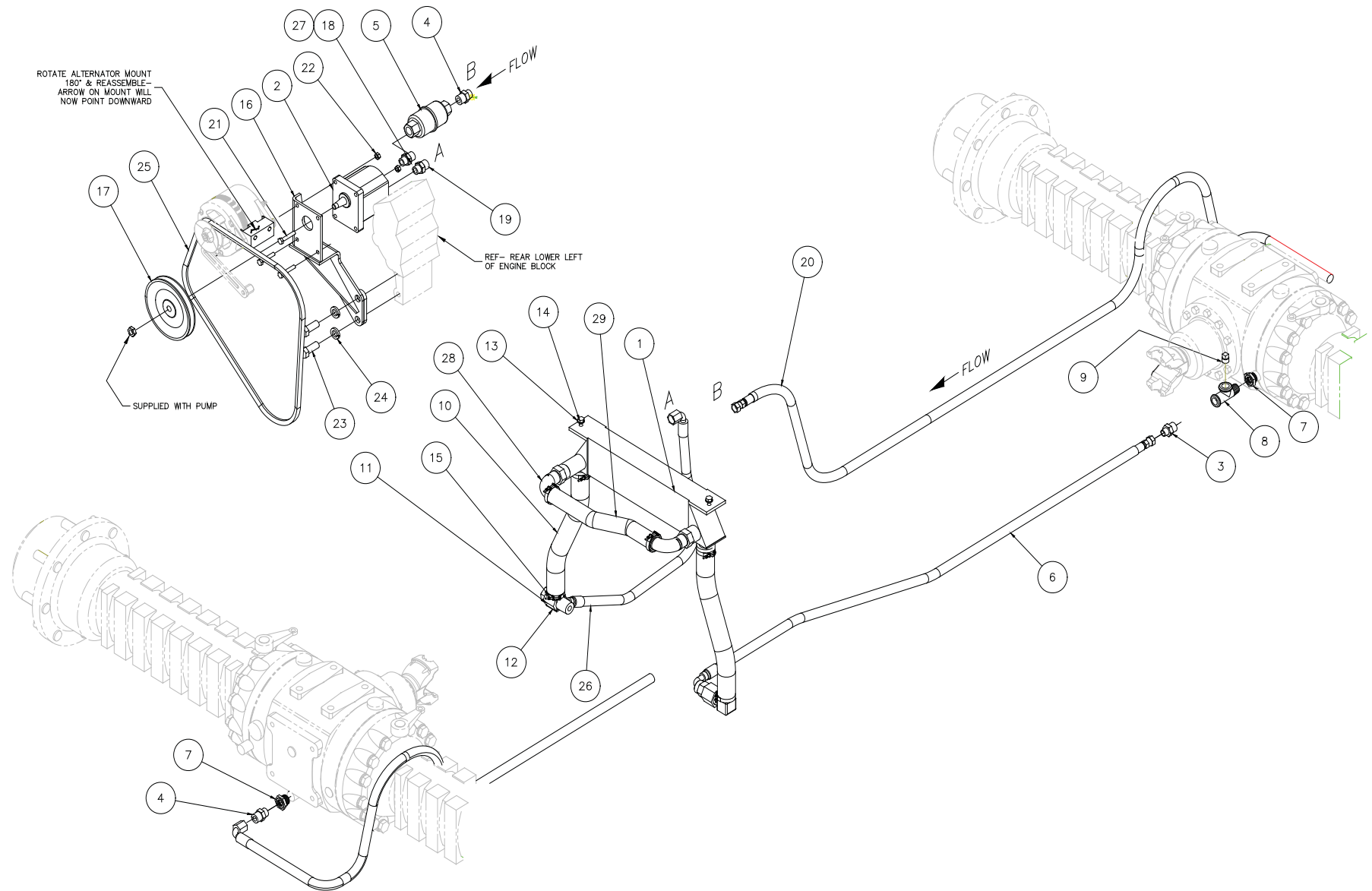
		QTY./MODEL				4 AA								
1/1		KD HAWK RADIATOR COOLER TRAY				1- 30-2 H 2- 30-4 H 3- 30-2 HT 4- 30-4 HT								
ITEM	PART NO.	DESCRIPTION	1	2	3	4	5	6	7	8	9	10	11	12
34	813077	Cooler Tray Bottom	1	1	1	1								
35	807464	Cooler Tray Top	1	1	1	1								
36	802885	Plate	1	1	1	1								
37	802889	Weather Strip, 25"	1	1	1	1								
38	802892	Weather Strip	2	2	2	2								
39	802887	Weather Strip	1	1	1	1								
40	42347	Bolt, M8-1.25 x 20 PC8.8 Hex	2	2	2	2								
41	42325	Washer, M 8 Lock	2	2	2	2								
42	63547	Bolt, M12 - 1.75 x 30 Hex	2	2	2	2								
43	42231	Washer, M12 Lock	2	2	2	2								
44	Z4054-4.5"	Weather Strip	2	2	2	2								
45	Z4054-30	Weather Strip	1	1	1	1								
46	805537	U-Nut, M-8, Short	2	2	2	2								
												6.00		



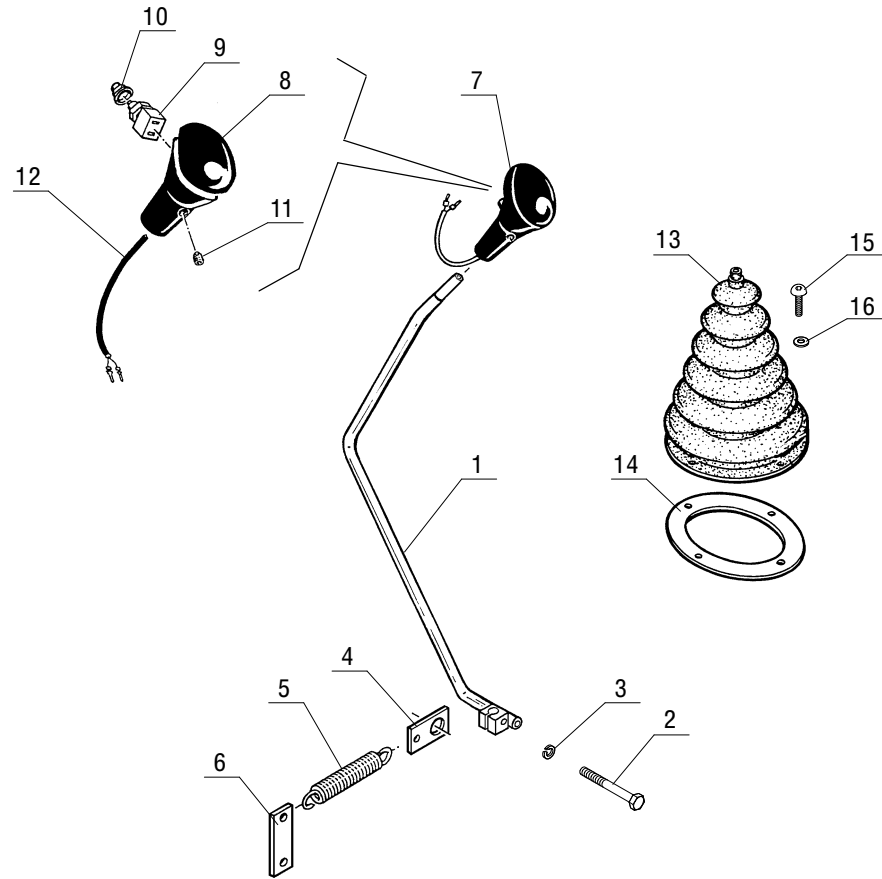
		QTY./MODEL										4 AA		
1/2		KD HAWK, TRANSMISSION INSTALLTION, 4-SPEED										1- 30-2 T 2- 30-4 T 3- 30-2 TH 4- 30-4 TH		
ITEM	PART NO.	DESCRIPTION	1	2	3	4	5	6	7	8	9	10	11	12
1	801820	Trans. Mount Assy.	2	2										
2	42231	Washer, M12 Lock	24	24										
3	58546	Bolt, M12 - 1.75 x 35 Hex.	20	20										
4	242496	Shock Mount	2	2										
5	61676	Washer, M12 Flat	20	20										
6	29475	Bolt, M12 x 45	4	4										
7	801822	Mount Transmission	2	2										
8	62203	Washer, Flat M16	2	2										
9	42322	Washer, M16 Lock	2	2										
10	58588	Bolt, M16 x 35	2	2										
11	264390	Transmission 4 W/D	1	1										
12	KN630174	Washer, M10 Lock	12	12										
13	KN605803	Bolt, M10-1.5 x 40 PC8.8 Hex	12	12										
14	264389	Transmission 2 W/D	1	1										
15	209372	Torque Converter	1	1										
16	209374	Spacer Plate	2	2										
17	209373	Flex Plate	1	1										
18	209376	Bolt, M10 x 13	6	6										
19	807746	Bolt, 5/16-18 x 5/8 GRB	6	6										
20	209573	Washer, Flat M8	6	6										
21	58548	Nut, M12 - 1.75 Hex	4	4										
22	252947	Dipstick, Transmission	1	1										
23	252997	Embout Jauge Huite	1	1										
24	219432	Tubulure Jauge	1	1										
25	71940	Collier Double	2	2										
26	802934	Hose, ZL16	1	1										
27	812106	Tube Assy.	1	1										
29	4039	Joint Tor. DI 29	1	1										

7.00

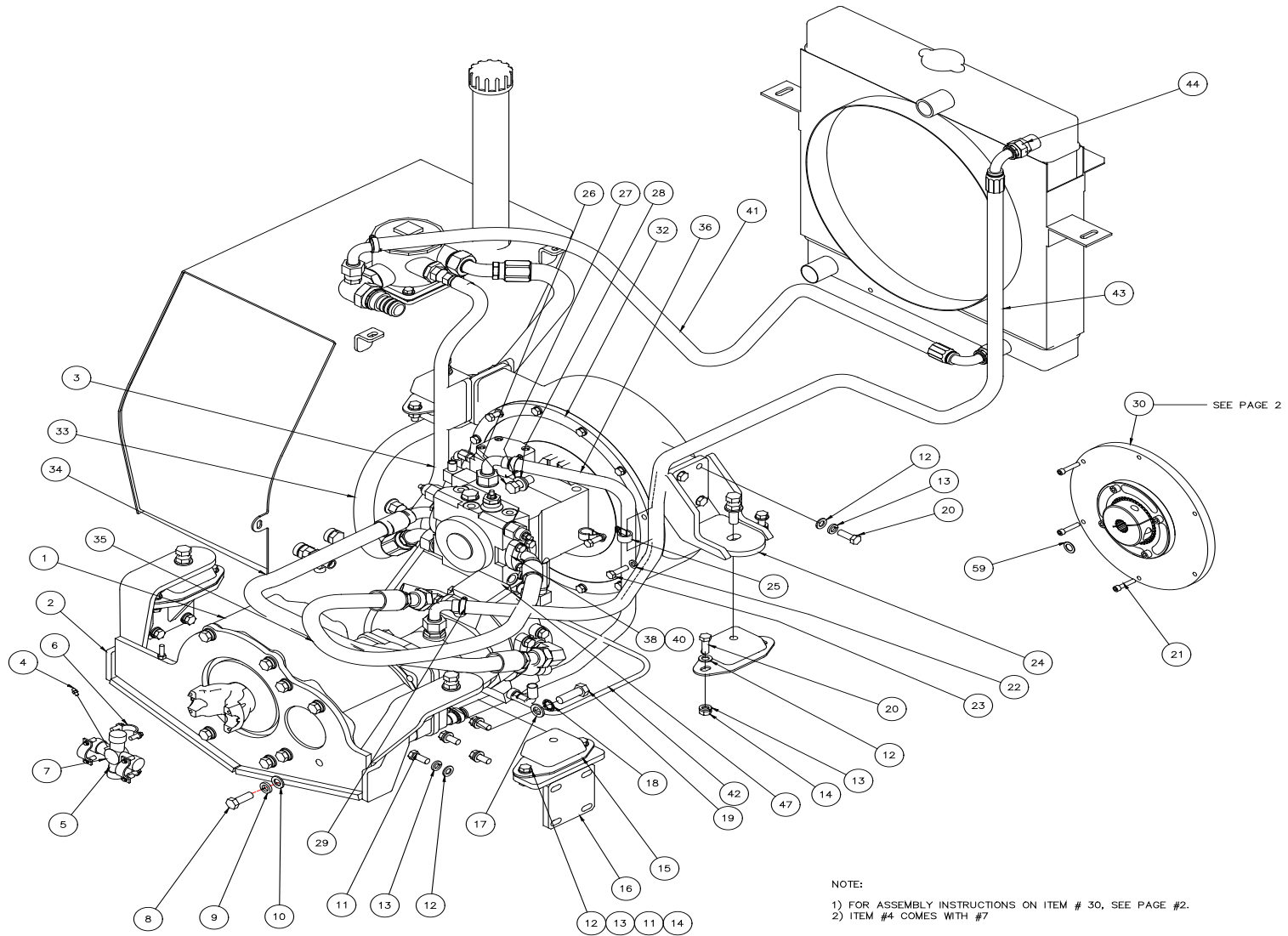
		QTY./MODEL										4 AA		
2/2		KD HAWK, TRANSMISSION INSTALLATION, 4-SPEED										1- 30-2 T 2- 30-4 T 3- 30-2 TH 4- 30-4 TH		
ITEM	PART NO.	DESCRIPTION	1	2	3	4	5	6	7	8	9	10	11	12
30	R18147-5	Adapter	4	4										
32	246347	Plug	1	1										
33	109705	Breather	1	1										
34	804604	Hose Assy.	1	1										
35	804605	Hose Assy.	1	1										
36	812172	Spacer	1	1										
37	K34779	Washer Lock #10	2	2										
												7.00		



		QTY.		4 AA											
1/1		KD HAWK, OIL COOLER, DRIVE AXLE TORQUE CONVERTER		1- 30- 2T 2- 30- 4T 3- 30- 2TH 4- 30- 4TH											
ITEM	PART NO.	DESCRIPTION		1	2	3	4	5	6	7	8	9	10	11	12
1	812481	Oil Cooler		1	1										
2	244242	Pump .89CU IN/REV		1	1										
3	425495	Adapter, 8-FLO-S		1	1										
4	425494	Adapter, Parker 8-8-FL0-5		2	2										
5	425481	Filter, Flo Ezy Oil 10L-04-238		1	1										
6	804600	Hose Assy.		1	1										
7	425493	Adapter, MMTFP221538		2	2										
8	K224-6	Tee		1	1										
9	B114A3	Plug, 3/8 NPT Pipe		1	1										
10	804597	Hose		2	2										
11	803409	Hose Insert, 1"NPT-1-1/4" Bead		2	2										
12	804598	Adapter		2	2										
13	K34807	Washer, 3/8 Lock		2	2										
14	K20388	Bolt, 3/8 x 1		2	2										
15	804776	Clamp		6	6										
16	804707	Pump Mount Bracket		1	1										
17	244289	Pully 1/2 Groove		1	1										
18	804808	Adapter 3/4 BSPP - 1/2 NPT		1	1										
19	804809	Adapter 1/2BSPP - 1/2ORFS		1	1										
20	M0000096-16	Hose Assy..		1	1										
21	58530	Bolt, M8-1.25x45 PC8.8 Hex		4	4										
22	54242	Nut, M8-1.25 Hex Lock		4	4										
23	42818	Bolt, M16x40 PC8.8 Hex		2	2										
24	42322	Washer, M16 Lock		2	2										
25	804881	Belt, 1/2 V-Groove		1	1										
26	804599	Hose Assy.		1	1										
27	804819	O-Ring For 804808		1	1										
28	813009	Elbow		2	2										
29	813025	Hose		1	1										
													8.00		



			QTY./MODEL								4 AA			
1/1		KD HAWK, GEAR LEVER ASSEMBLY, 4--SPD TRANS	1- 30-2 T 2- 30-4 T 3- 30-2 TH 4- 30-4 TH											
ITEM	PART NO.	DESCRIPTION	1	2	3	4	5	6	7	8	9	10	11	12
		803392 Gear lever assembly, complete (77 in. & 81 in. cab)	1	1										
1	803388	Lever, (77 in. & 81 in. cab)	1	1										
2	29475	Screw	1	1										
3	42231	Washer	1	1										
4	78086	Fixing spring	1	1										
5	80308	Spring	1	1										
6	164965	Fastening plate	1	1										
7	211278	Ball assembly	1	1										
8	551255	Cap	1	1										
9	551256	Switch, trans cut--off	1	1										
10	551258	Cap	1	1										
11	551257	Screw	1	1										
12	551259	Wire harness	1	1										
13	78088	Bellows	1	1										
14	803875	Fastening plate	1	1										
15	189172	Screw	4	4										
16	189857	Washer	4	4										
												9.00		



NOTE:

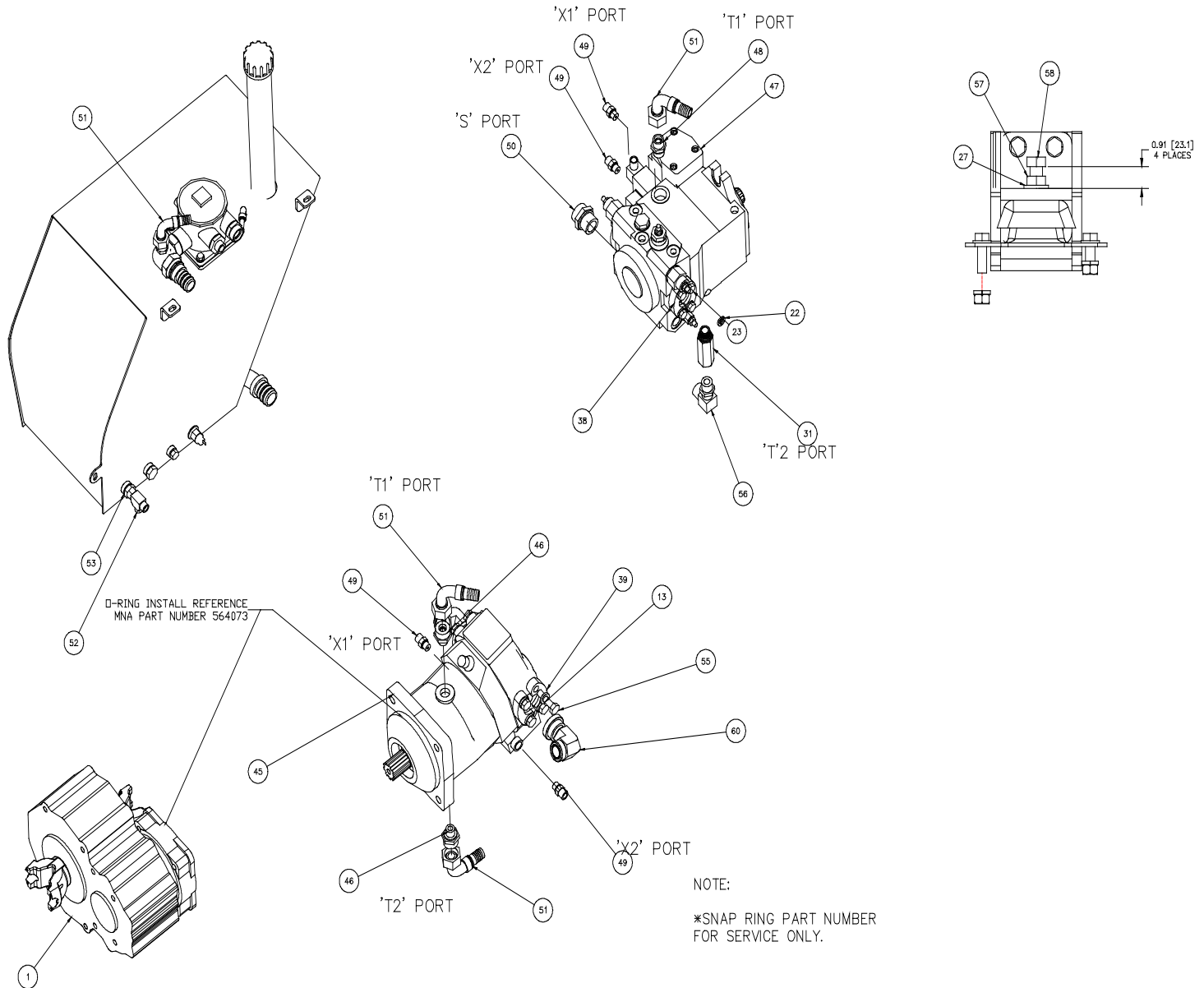
- 1) FOR ASSEMBLY INSTRUCTIONS ON ITEM # 30, SEE PAGE #2.
- 2) ITEM #4 COMES WITH #7

ITEM	PART NO.	DESCRIPTION	QTY./MODEL											
			1	2	3	4	5	6	7	8	9	10	11	12
1/2		KD HAWK, HYDROSTATIC(TRANS) SYSTEM ASSY.	1- 30-2 T 2- 30-4 T 3- 30-2 TH 4- 30-4 TH											
1	801992	Gear Box Assy. 2 Speed, STD. Frame Level and STD. Low Pro. Level 6K & 8K			1	1								
1	226148	Gear Box Assy. 2 Speed, STD. Frame Level and STD. Low Pro. Level 10K & 12K.			1	1								
2	802120	Gearbox Mount Weld Assy. NON FRAME 6K - 12K			1	1								
2	803205	Gearbox Mount Assy. STD. FRAME LEVEL			1	1								
3	803885	Hose, Pump "T" to Tank			1	1								
5	109752	Bolt 5/16-24			4	4								
6	109751	Clamp Half.			2	2								
7	424647	Crossblock, Universal Joint			1	1								
8	58557	Bolt, M14-2x40 Hex			8	8								
9	42256	Washer, M14 Lock			8	8								
10	61680	Washer M14 Flat			8	8								
11	63547	Bolt, M12-1.75x30 Hex			8	8								
12	61676	Washer, M12 Flat			32	32								
13	42231	Washer, M12 Lock			32	32								
14	58548	Nut, M12-1.75 Hex			8	8								
15	242496	Shock Mount			4	4								
16	802292	Mount, Gear Box			2	2								
17	KN630091	Washer, M16 Flat			4	4								
18	KN63361	Washer, M16 I.T. Lock			8	8								
19	61308	Bolt, M16-2x50 Hex			4	4								
20	58546	Bolt, M12-1.75x35 Hex			16	16								
21	K302211	Screw, 5/16-18x1-1/4 GRB SHC			6	6								
22	42232	Washer, M10 Lock			20	20								
23	63545	Bolt, M10-1.5MM x 35MM 8.8 Hex			20	20								
24	801943	Mount, Flywheel STD & LO			2	2								

10.00

		QTY./MODEL				4 AB											
2/2		KD HAWK, HYDROSTATIC(TRANS.) SYSTEM ASSY.				1- 30-2 T 2- 30-4 T 3- 30-2 TH 4- 30-4 TH											
ITEM	PART NO.	DESCRIPTION				1	2	3	4	5	6	7	8	9	10	11	12
25	B3698-17	Clamp, 1 1/4						2	2								
26	42818	Bolt, M16x40 PC8.8 Hex						2	2								
27	62203	Flat Washer						6	6								
28	42322	Washer, M16 Lock						2	2								
29	33593	Clamp						4	4								
30	805677	Hydrastatic Coupling						1	1								
31	803886	Check Valve 3 Bar						1	1								
32	508802	Plate, Pump Mounting						1	1								
33	803271	Hose Assy. Hydrostatic Supply						1	1								
34	807688	Hose Assy. Pump Motor						1	1								
35	807689	Hose Assy. Pump to Motor						1	1								
36	802898	Hose, Pump 'T' - Motor 'T'						1	1								
37	803611	O-Ring						2	2								
38	803566	Split Flange - 12						4	4								
39	803570	Split Flange - 16 - (SETS)						2	2								
40	803585	O-Ring						2	2								
41	804612	Hose Assy.						1	1								
42	803275	Hose Assy. Pump X1-Motor X1						2	2								
43	804611	Hose Assy.						1	1								
44	R18147-5	Connector						2	2								

10.00

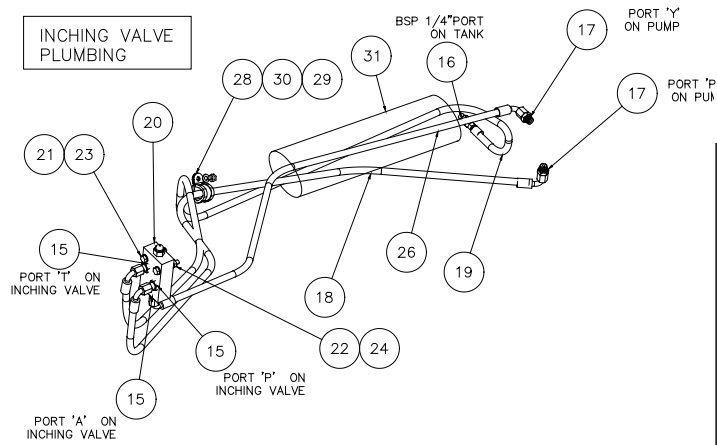


NOTE:
 *SNAP RING PART NUMBER
 FOR SERVICE ONLY.

		QTY./MODEL				4 AB											
1/1		KD HAWK, HYDROSTATIC(TRANS.) SYSTEM ASSY.				1- 30-2 T 2- 30-4 T 3- 30-2 TH 4- 30-4 TH											
ITEM	PART NO.	DESCRIPTION				1	2	3	4	5	6	7	8	9	10	11	12
45	208701	Hydrostatic Motor						1	1								
46	234267	Adapter, MA22L/MA18X150 OR						2	2								
47	807801	Pump, Hydrostatic						1	1								
48	524789	Adapter, MA22L/MA22X150 JE						1	1								
49	806955	Fitting, Modified						4	4								
50	803270	Connector, 16M33F82EDMLO-S						1	1								
51	208561	Fiiting, Push 20mm/FE22I 90'						4	4								
52	R19829-1	TEE, Swivel Run, 8R6L0-S						1	1								
53	803026	Connector, 8M22F870MLO-S						1	1								
55	29475	Bolt, M12-1.5X45 PC8						8	8								
56	R19452	Elbow						1	1								
57	42813	Nut, M16						4	4								
58	168365	Bolt, M16-2x60 Hex						4	4								
59	K97615	Snap O-Ring 1" INT, Snap Ring Part# for service only.						1	1								
60	807675	Elbow						2	2								

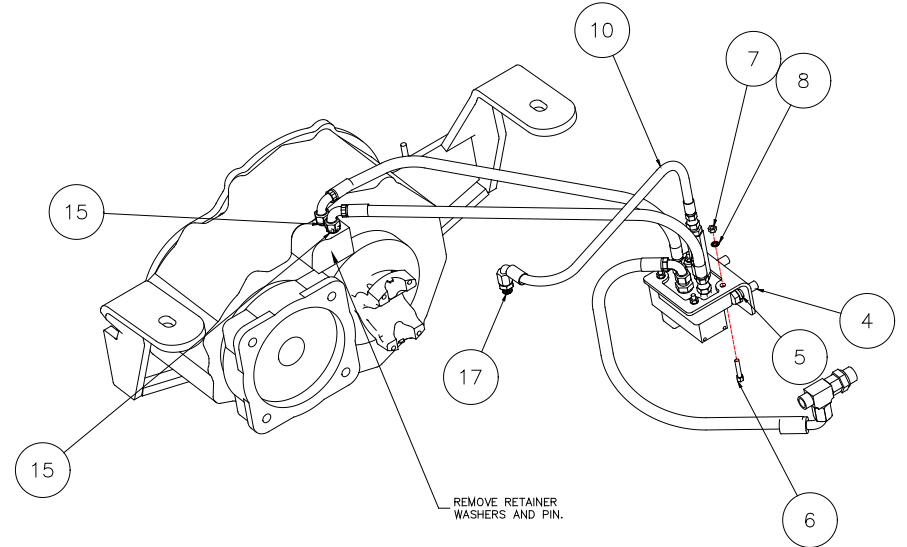
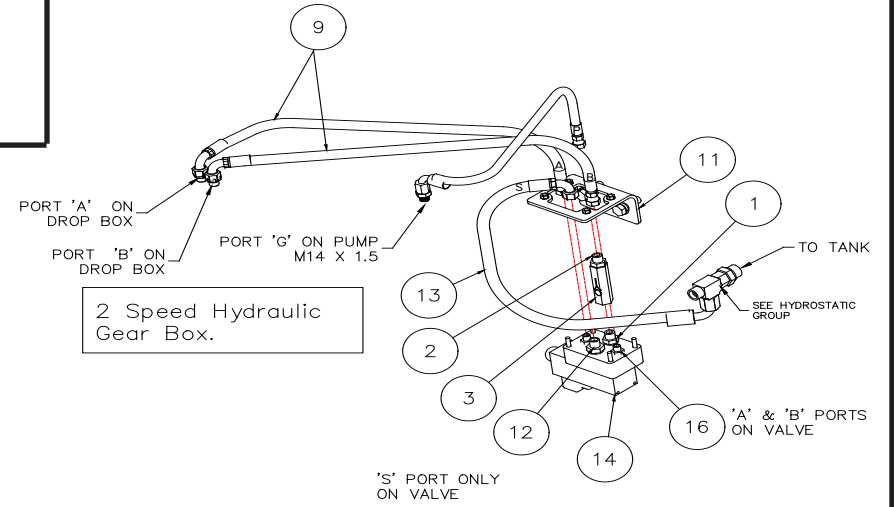
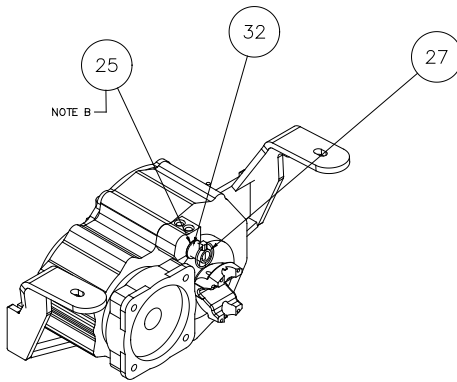
11.00

K-D HAWK HYDROSTATIC GEAR BOX HYDRAULICS,
HYDROSTATIC INCHING VALVE TH7



NOTE:

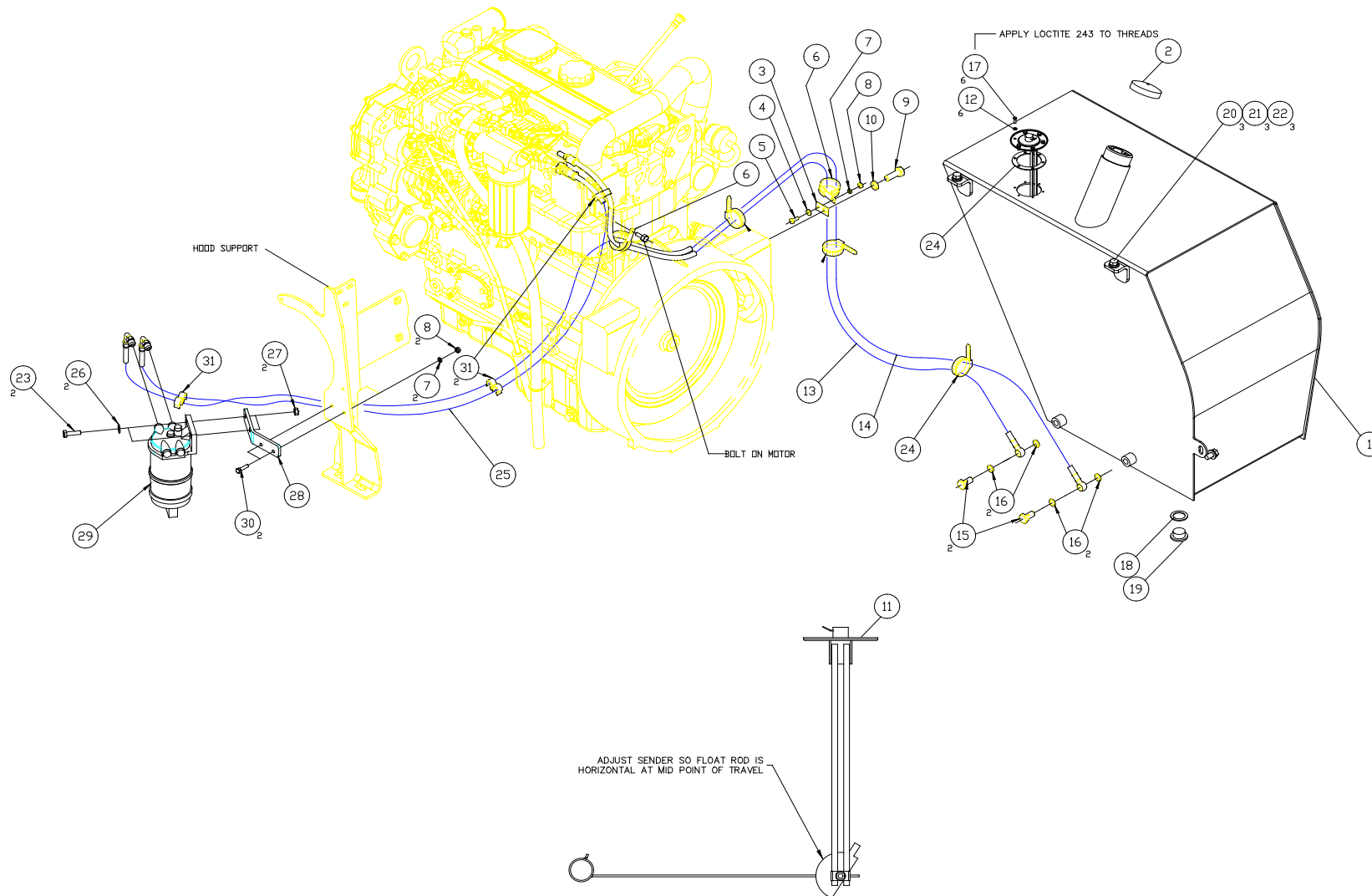
- A. ALL HOSES ROUTED OVER THE AXLE MUST HAVE NYLON SLEEVE
- B. USE AS REQUIRED TO ENSURE SHIFTER IS LOCKED IN HIGH GEAR.



				QTY./MODEL				4 AB							
1/2		KD HAWK, HYDROSTATIC GEAR BOX, HYDROSTATIC INCHING VALVE TH7		1- 30-2 T 2- 30-4 T 3- 30-2 TH 4- 30-4 TH											
ITEM	PART NO.	DESCRIPTION		1	2	3	4	5	6	7	8	9	10	11	12
1	803684	Connector, 6-4HMK4S				1	1								
2	803196	Connector, 4-6F42EDMLO-S				1	1								
3	62179	Check Valve, 3/8 BSP				1	1								
4	58546	Bolt, M12-1.75x35 Hex				2	2								
5	42231	Washer, M12 Lock				2	2								
6	168706	Screw, M6 x 30mm				4	4								
7	25714	Nut, M6 x 30mm				4	4								
8	174132	Washer, M6				4	4								
9	803175	Hose Assy.				2	2								
10	805118	Hose Assy.				1	1								
11	802504	Plate Valve Support				1	1								
12	803174	Connector, 6F42EDMLO-S				1	1								
13	803180	Hose Assy. 'S' to Tank				1	1								
14	60998	ElectroValve, 12V				1	1								
15	803182	Connector, 4M14F87OMLO-S				5	5								
16	803184	Connector, 4-4F42EDMLO-S				3	3								
17	805121	Connector, 6M14F82EDMLO-S				3	3								
18	805120	Hose Assy. PS to 'P' on TH7				1	1								
19	803185	Hose Assy. 'T' to Tank				1	1								
20	75498	Valve, TH7				1	1								
21	61674	Washer, M8 Flat				4	4								
22	58528	Nut				2	2								
23	58531	Bolt, M8-1.25x45 PC8.8 Hex				2	2								
24	42325	Washer, M8 Lock				2	2								
25	805119	Hose Assy. 'Y' Pump-'A' TH7				1	1								
26	86506	Nut, 5/16-18				1	1								
27	K44722	Washer				1	1								
28	Z4525	Sleeve, Hose				60	60								

12.00

			QTY./MODEL				4 AB							
2/2	KD HAWK, HYDROSTATIC GEAR BOX, HYDROSTATIC INCHING VALVE TH7		1- 30-2 T 2- 30-4 T 3- 30-2 TH 4- 30-4 TH											
ITEM	PART NO.	DESCRIPTION	1	2	3	4	5	6	7	8	9	10	11	12
29	805709	Retainer			1	1								
30	E-411	Pin, Lynch			1	1								
31	K44748	Washer, Flat 3/4"			2	2								
													12.00	



ITEM	PART NO.	DESCRIPTION	QTY./MODEL				4 AC										
			1	2	3	4	5	6	7	8	9	10	11	12			
1/2		KD HAWK, FUEL TANK ASSY.	1- 30-2 T 2- 30-4 T 3- 30-2 TH 4- 30-4 TH														
1	807434	Fuel Tank Assy.	1	1	1	1											
2	806421	Fuel Cap. Vented	1	1	1	1											
3	807440	Plate	1	1	1	1											
4	29469	Washer M6	1	1	1	1											
5	25713	Bolt	1	1	1	1											
6	B3698-15	Clamp	3	3	3	3											
7	42316	Washer, M6 Lock	3	3	3	3											
8	25714	Nut, M6	3	3	3	3											
9	63546	Bolt, M12x20	1	1	1	1											
10	42231	Washer, M12	1	1	1	1											
11	187283	Fuel Level Sender	1	1	1	1											
12	187294	Copper Seal	6	6	6	6											
13	273244	Hose	1	1	1	1											
14	273248	Hose	1	1	1	1											
15	129397	Screw, Banjo	2	2	2	2											
16	3411	Washer, Seal	4	4	4	4											
17	61801	Bolt, M4 7x16 Plated Hex	6	6	6	6											
18	189536	Seal, Drain Plug	1	1	1	1											
19	189535	Plug, Drain	1	1	1	1											
20	29437	Washer, M10 Flat	3	3	3	3											
21	42232	Washer, M10 Lock	3	3	3	3											
22	63727	Bolt, M10-1.5x20 Hex	3	3	3	3											
23	57446	Bolt, M8x25	2	2	2	2											
24	187485	Gasket, Fuel Level Sender	1	1	1	1											

13.00

		QTY./MODEL				4 AC											
2/2		KD HAWK, FUEL TANK ASSY.				1- 30-2 T 2- 30-4 T 3- 30-2 TH 4- 30-4 TH											
ITEM	PART NO.	DESCRIPTION				1	2	3	4	5	6	7	8	9	10	11	12
25	273250	Hose				1	1	1	1								
26	61674	Washer M8				2	2	2	2								
27	58528	Nut				4	4	4	4								
28	807441	Support, Separator				1	1	1	1								
29	254461	Fuel/Water Separator				1	1	1	1								
30	802225	Wrap Tie				10	10	10	10								
31	270225	Clamp				3	3	3	3								

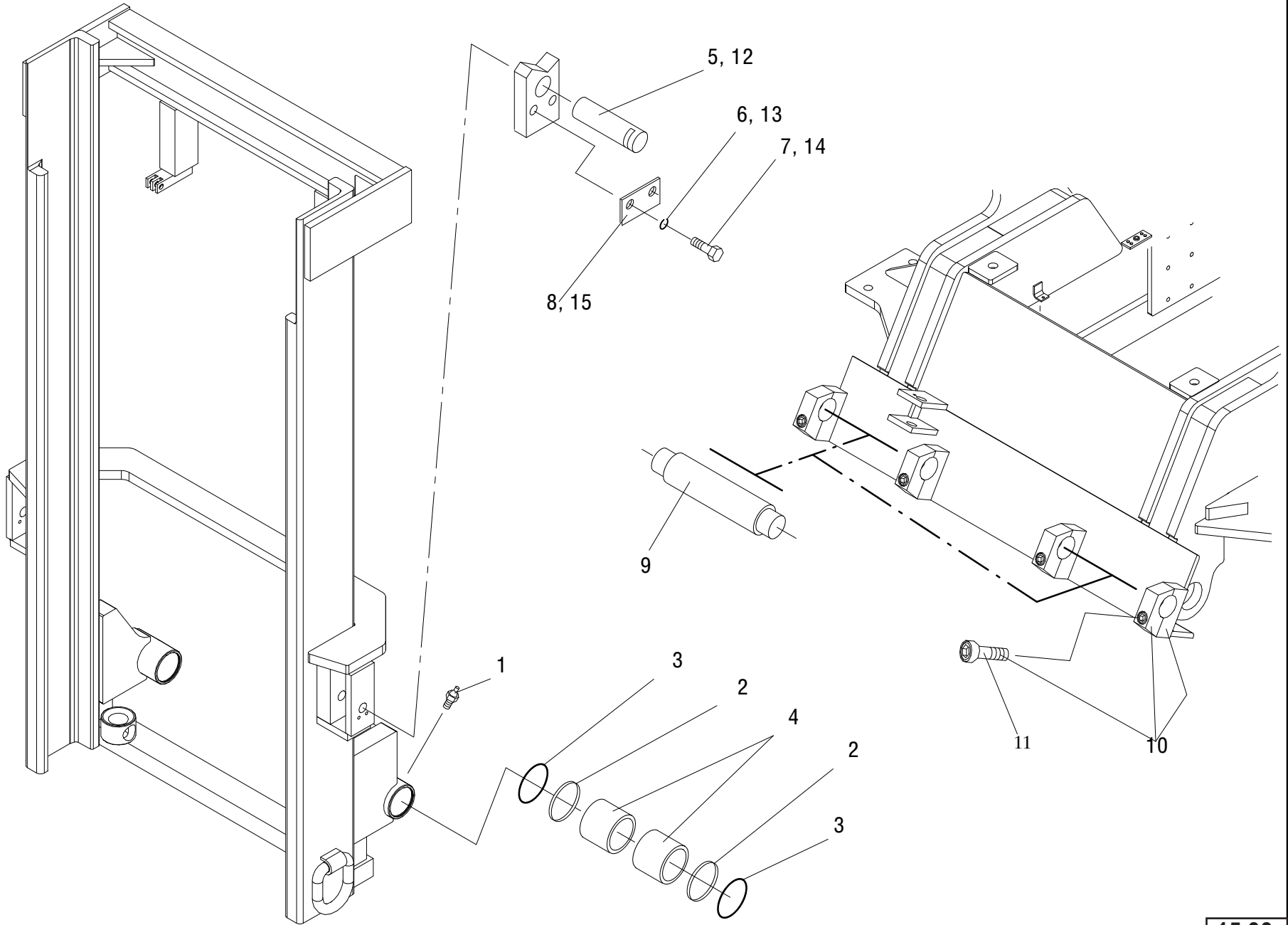
13.00

		QTY./MODEL				4 AC											
1/2		KD HAWK, FUEL CIRCUIT				1- 30-2 T 2- 30-4 T 3- 30-2 TH 4- 30-4 TH											
ITEM	PART NO.	DESCRIPTION				1	2	3	4	5	6	7	8	9	10	11	12
1	746434	Fuel filter, complete				1	1	1	1								
2	747625	Screw				3	3	3	3								
3	605014	Washer				3	3	3	3								
4	605013	Filter				1	1	1	1								
5	747624	Repair kit				1	1	1	1								
6	706974	Tank				1	1	1	1								
7	706975	Bleeder screw				1	1	1	1								
8	702037	Hose				1	1	1	1								
9	747619	Injection pump				1	1	1	1								
10	563758	O--ring				1	1	1	1								
11	551859	Washer				1	1	1	1								
12	551858	Nut				1	1	1	1								
13	601673	Electrovalve				1	1	1	1								
14	705991	Electrovalve				1	1	1	1								
15	702039	Gear				1	1	1	1								
16	473986	Screw				3	3	3	3								
17	605019	Washer				6	6	6	6								
18	605021	Fastening lug				1	1	1	1								
19	473943	Screw				1	1	1	1								
20	107363	Screw				1	1	1	1								
21	473939	Nut				1	1	1	1								
22	702733	Injection tube no. 1				1	1	1	1								
23	702735	Injection tube no. 3				1	1	1	1								
24	702736	Injection tube no. 4				1	1	1	1								
25	702734	Injection tube no. 2				1	1	1	1								
26	605026	Clamp				2	2	2	2								
27	702158	Clamp				1	1	1	1								
28	473950	Clamp				1	1	1	1								

14.00

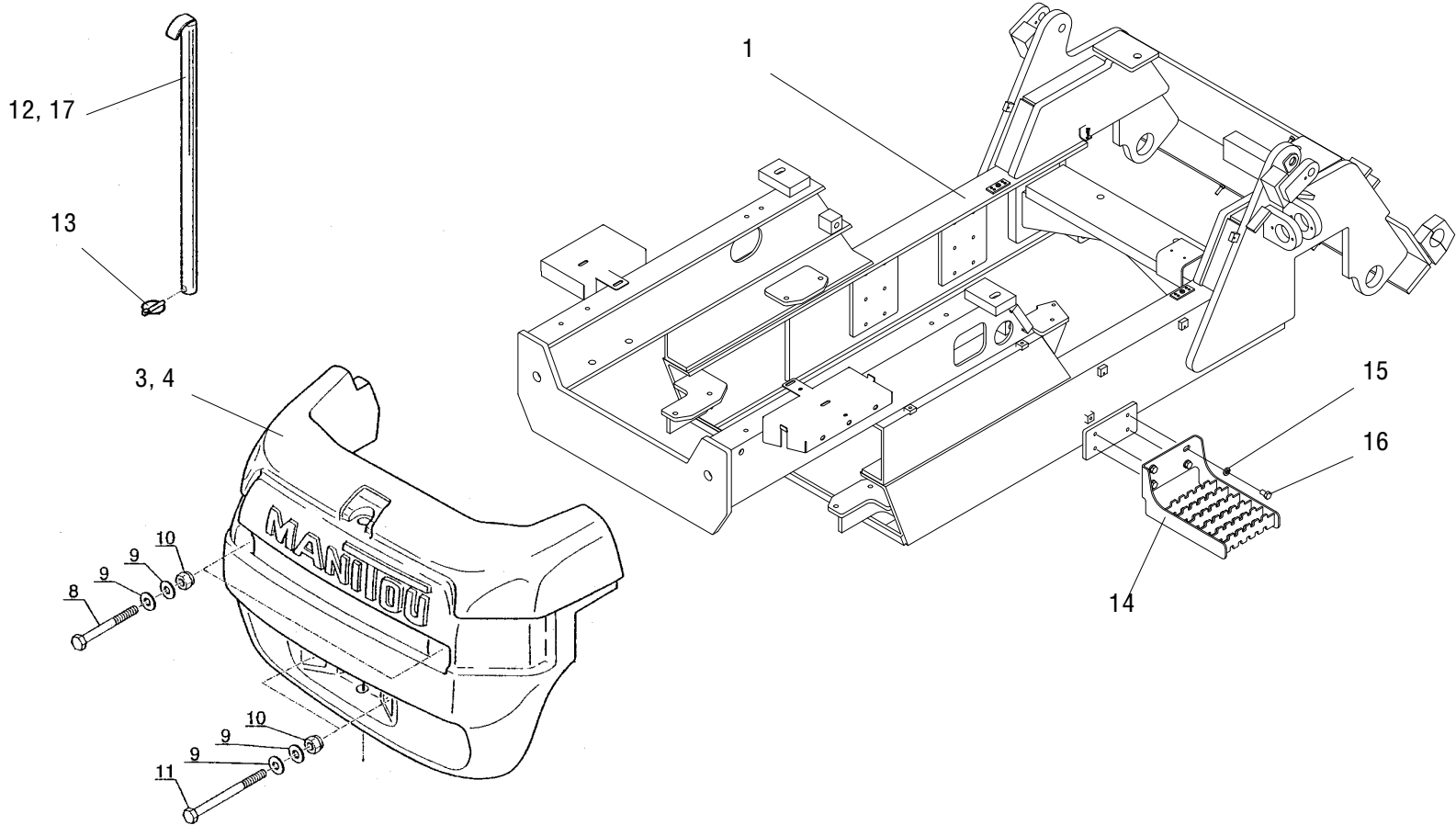
				QTY./MODEL				4 AC							
2/2		KD HAWK, FUEL CIRCUIT		1- 30-2 T 2- 30-4 T 3- 30-2 TH 4- 30-4 TH											
ITEM	PART NO.	DESCRIPTION		1	2	3	4	5	6	7	8	9	10	11	12
29	747620	Injector		4	4	4	4								
30	736851	O--ring		1	1	1	1								
31	551500	Washer		1	1	1	1								
32	702760	Locking collar		4	4	4	4								
33	605029	Screw		4	4	4	4								
34	702049	Hose		3	3	3	3								
35	702050	Cap		1	1	1	1								
36	748411	Hose		1	1	1	1								
37	741054	Clamp		1	1	1	1								
38	604975	O--ring		1	1	1	1								
39	748412	Connection		1	1	1	1								
40	605036	Clamp		1	1	1	1								
41	747627	Flange		1	1	1	1								
42	704926	Bracket		1	1	1	1								
43	474064	Screw		1	1	1	1								
44	605036	Clamp		1	1	1	1								
45	746435	Clamp		1	1	1	1								
46	605030	Heating plug		4	4	4	4								
47	706587	Wiring harness		1	1	1	1								
48	747626	Bracket		1	1	1	1								

14.00



		QTY./MODEL				5 AA								
1/2		KD HAWK, MAST MOUNTING				1- 30-2 T 2- 30-4 T 3- 30-2 TH 4- 30-4 TH								
ITEM	PART NO.	DESCRIPTION	1	2	3	4	5	6	7	8	9	10	11	12
1	K87901	Grease Fitting	2	2	2	2								
2	R106	Ring, Retaining	4	4	4	4								
3	R4584	Wiper	4	4	4	4								
4	R7638	Bearing, Mast Mounting	4	4	4	4								
5L	R25454	Pin	2	2	2	2								
6L	34807	Washer, Lock	4	4	4	4								
7L	K20388	Bolt	4	4	4	4								
8L	R25456	Plate, Pin Retaining	2	2	2	2								
9	B5407	Bar, Mast Support	2	2	2	2								
10	B5795	Cap and Base Assy. - Welding Required Must show Proof of Certification	4	4	4	4								
11	B6119	Bolt	4	4	4	4								
12LL	77399	Pin	2	2	2	2								
13LL	42232	Washer, Lock	4	4	4	4								
14LL	63727	Bolt	4	4	4	4								
15LL	165363	Plate, Pin Retaining	2	2	2	2								
		LFor use with "K" Model Mast. LLFor use with "800000" Model MA.												

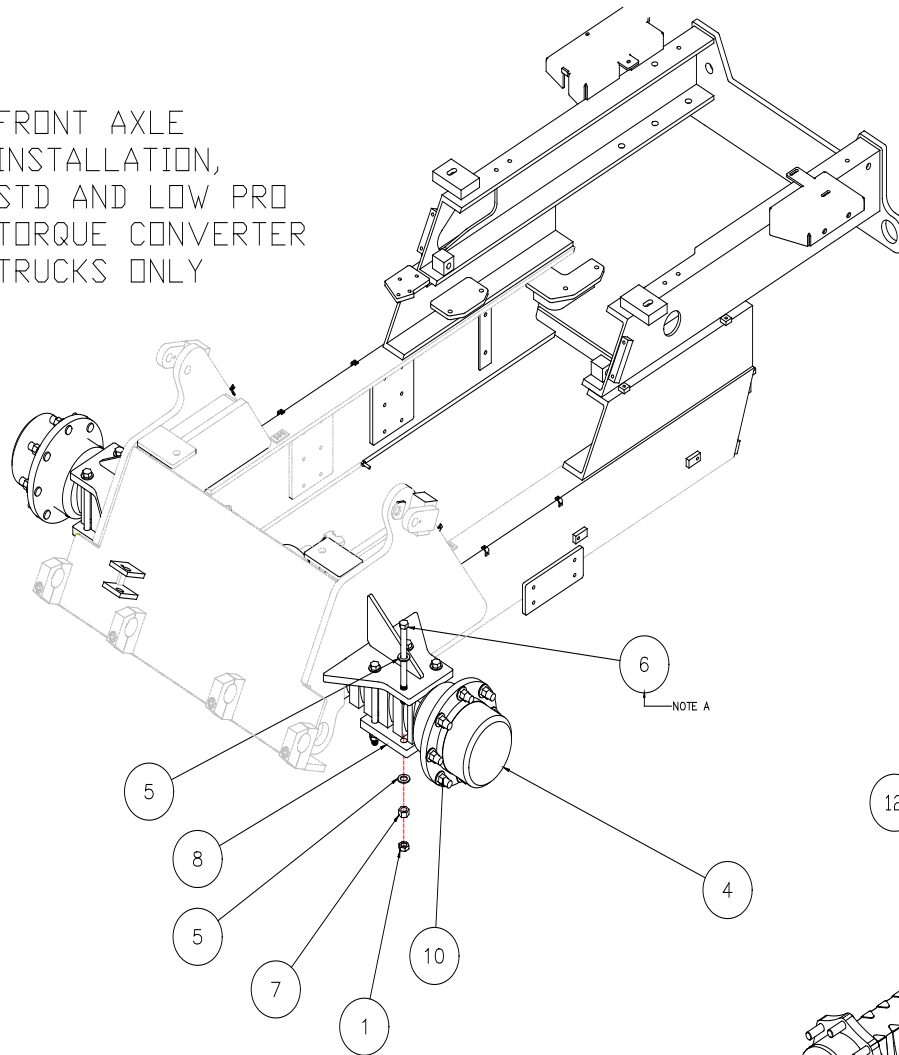
15.00



		QTY./MODEL				5 AA											
1/1		KD HAWK, FRAME COUNTER WIGHT & STEPS				1- 30-2 T 2- 30-4 T 3- 30-2 TH 4- 30-4 TH											
ITEM	PART NO.	DESCRIPTION				1	2	3	4	5	6	7	8	9	10	11	12
1	807414	Frame Assy.				1	1	1	1								
3	218177	Counter Weight (6000 lbs)				1	1	1	1								
3	218178	Counter Weight (8000 lbs)															
3	218179	Counter Weight (10000 lbs)															
3	218180	Counter Weight (12000 lbs)															
8	75992	Bolt M24-190-8.8				2	2	2	2								
9	63936	Washer M25.5X50-8.8				8	8	8	8								
10	184642	Nut M24				4	4	4	4								
11	168379	Bolt M24-250-8.8				2	2	2	2								
12	32963	Pin				1	1	1	1								
13	219518	Tow Pin (6000 lbs Only)				1	1	1	1								
14	803768	Step Assy. All Models				2	2	2	2								
15	42231	Washer				8	8	8	8								
16	63546	Bolt				8	8	8	8								
17	218265	Tow Pin				1	1	1	1								
18	44807	Bolt				4	4	4	4								

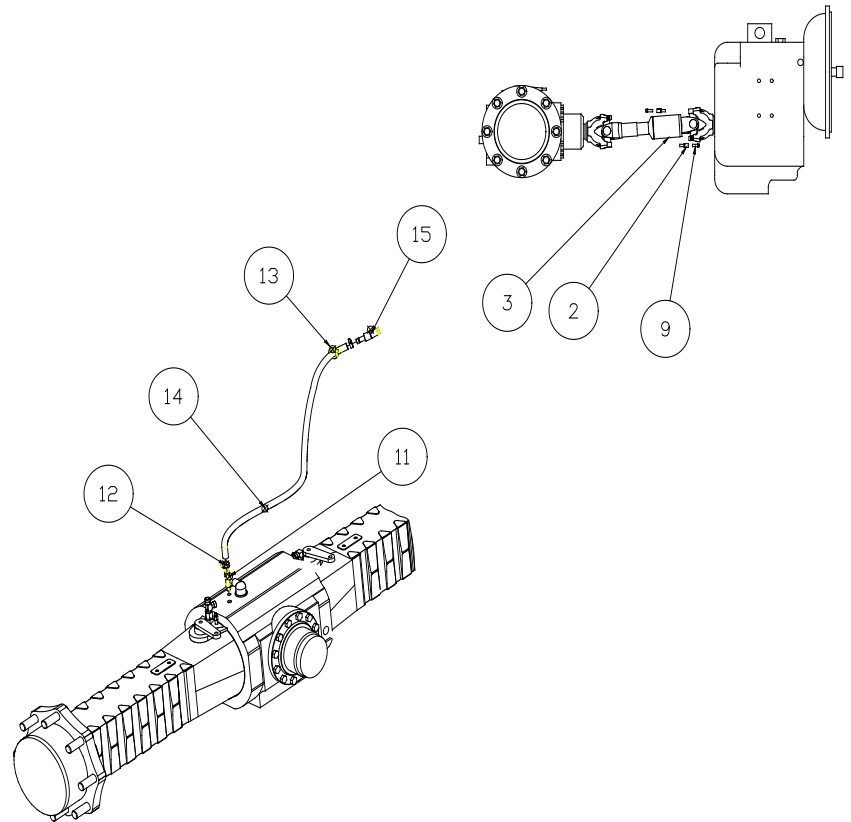
16.00

FRONT AXLE
INSTALLATION,
STD AND LOW PRO
TORQUE CONVERTER
TRUCKS ONLY



NOTE A: TORQUE TO 250 ft lbs.

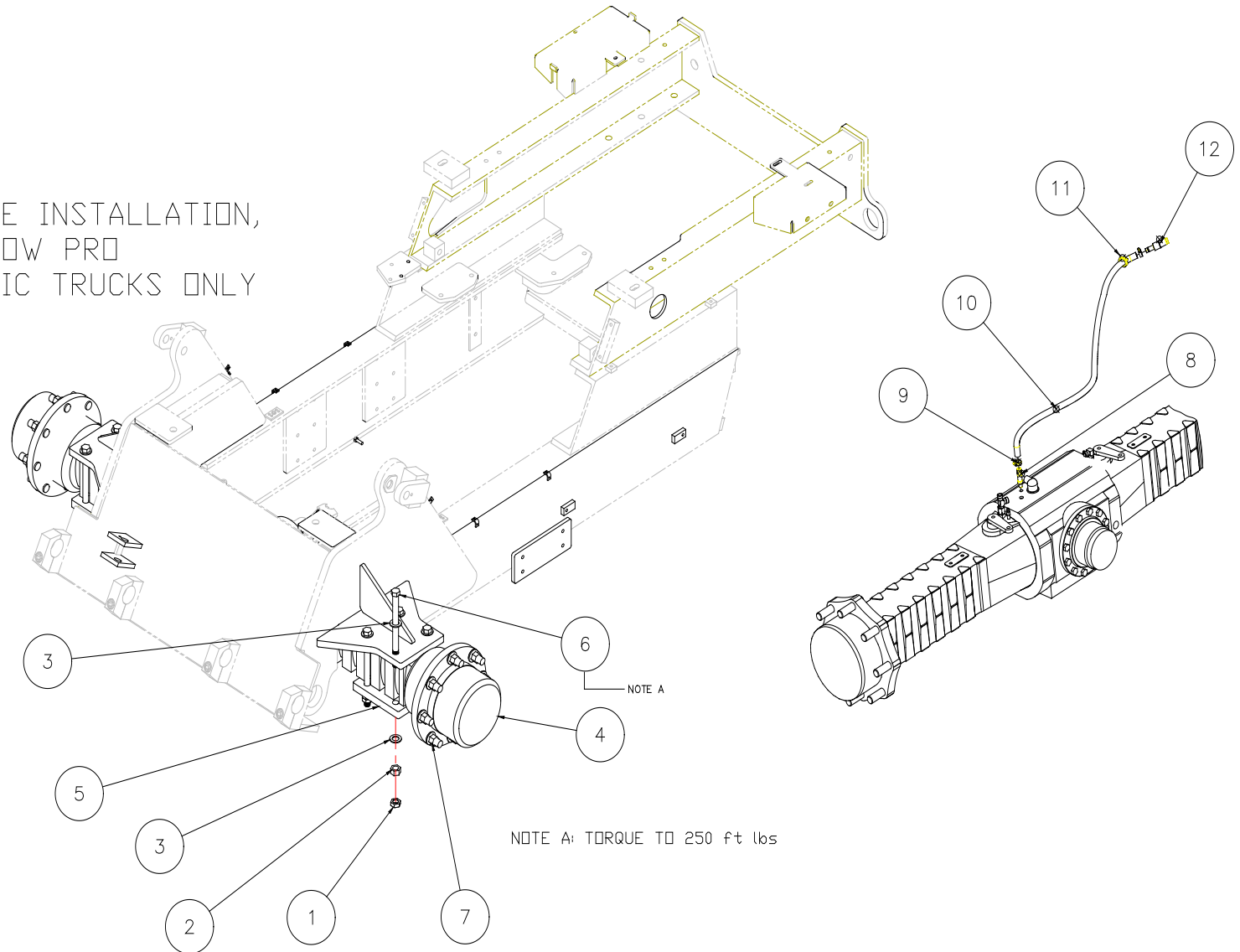
FRONT DRIVE SHAFT
INSTALLATION,
STD AND LOW PRO
TORQUE CONVERTER
TRUCKS ONLY



			QTY./MODEL				6 BA							
1/1	KD HAWK, FRONT DRIVE SHAFT INSTALLATION, STD. & LOW PRO. TORQUE CONVERTER ONLY W/SAHR		1- 30-2 T 2- 30-4 T 3- 30-2 TH 4- 30-4 TH											
ITEM	PART NO.	DESCRIPTION	1	2	3	4	5	6	7	8	9	10	11	12
1	K34691	Nut, Jam 3/4"-10	8	8										
2	109751	Clamp Half	4	4										
3	802047	Drive Shaft Front	1	1										
4	807371	Axle, Drive Dana 112/206	1	1										
5	K44748	Washer, Flat 3/4"	16	16										
6	804828	Bolt, 3/4-10 x 10 GR8	8	8										
7	K34992	Nut, Hex 3/4-10	8	8										
8	803560	Plate, Axle Mount	2	2										
9	109752	Bolt, 5/16-24	8	8										
10	245767	Lug Nut	16	16										
11	254733	Connector	1	1										
12	B2236-3	Clamp	2	2										
13	B3698-8	Clamp	1	1										
14	525596	Hose	1	1										
15	222381	Breather	1	1										

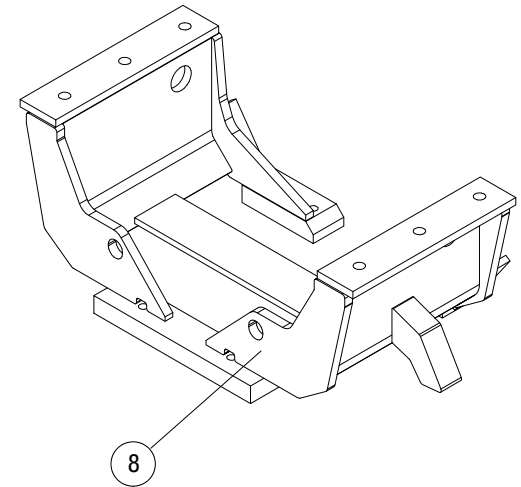
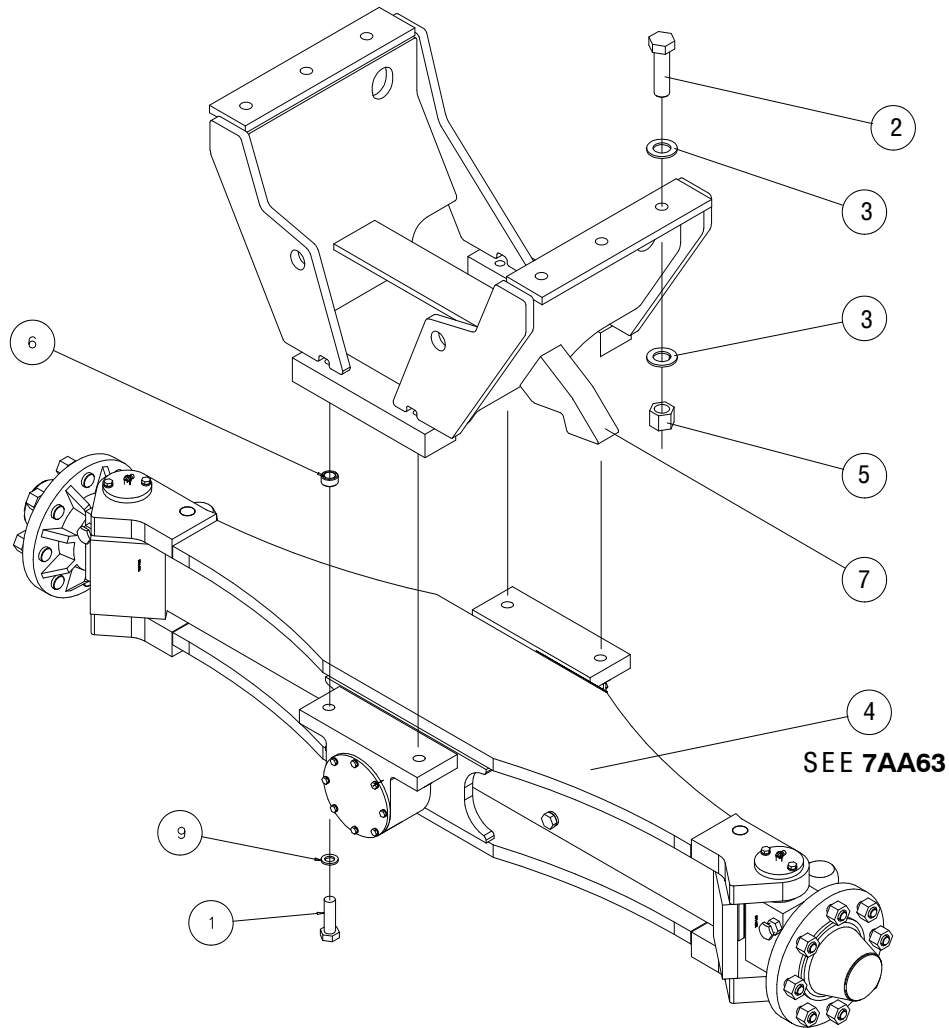
17.00

FRONT AXLE INSTALLATION,
STD AND LOW PRO
HYDROSTATIC TRUCKS ONLY



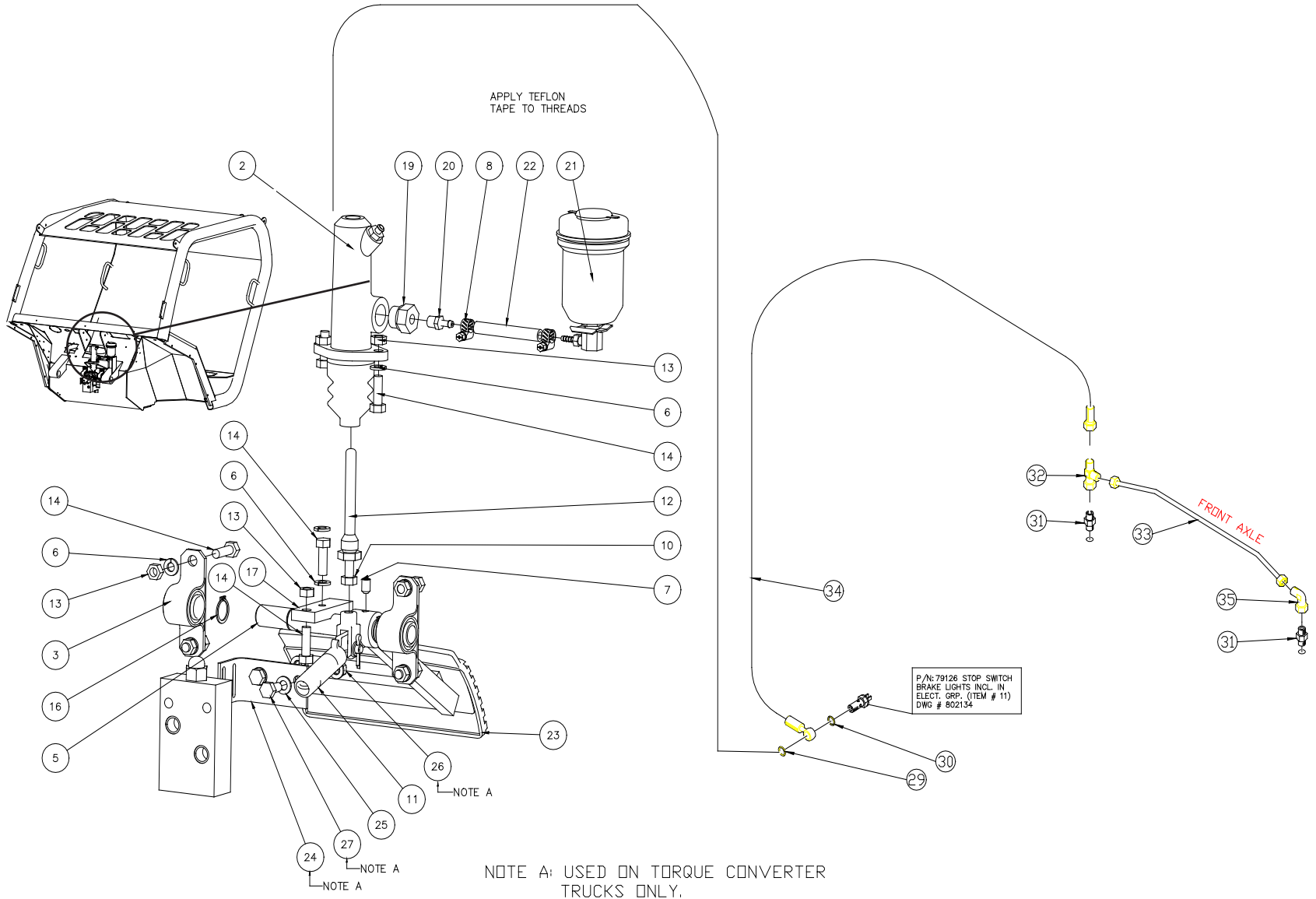
			QTY./MODEL				6 BA							
1/1	KD HAWK, FRONT AXLE INSTALLATION STANDARD AND LOW PRO. PRO. HYDROSTATIC W/ SAHR		1- 30-2 T 2- 30-4 T 3- 30-2 TH 4- 30-4 TH											
ITEM	PART NO.	DESCRIPTION	1	2	3	4	5	6	7	8	9	10	11	12
1	K34691	Nut, Hex Jam 3/4"-10			8	8								
2	K34992	Nut, Hex 3/4" 8			8	8								
3	K44748	Washer, Flat 3/4"			16	16								
4	807371	Axle, Drive Dana 112/206 T			1	1								
5	803560	Plate, Axle Mount 2			2	2								
6	804828	Bolt, 3/4-10 x 10 Gr.			8	8								
7	245767	Wheel Lug Nut			16	16								
8	254733	Connector			1	1								
9	B2236-3	Hose Clamp			2	2								
10	525596	Hose			1	1								
11	B3698-8	Clamp			1	1								
12	222381	Air Breather			1	1								

18.00



NOTE:
APPLY LOCTITE 242 (BLUE) TO THE THREADS
OF ALL BOLTS DURING INSTALLATION.

			QTY./MODEL				7 AA							
1/1	KD HAWK, STEERING AXLE & HANGAR INSTALLATION-2WD		1- 30-2 T 2- 30-4 T 3- 30-2 TH 4- 30-4 TH											
ITEM	PART NO.	DESCRIPTION	1	2	3	4	5	6	7	8	9	10	11	12
1	448930	Bolt, M20 x 70	4	4	4	4								
2	426688	Bolt, 3/4-16x3 GRT. Plated Hex	6	6	6	6								
3	K44748	Washer, 3/4 Flat	12	12	12	12								
4	805694	Steer Axle Assy.	1	1	1	1								
5	R32	Nut	6	6	6	6								
6	246073	Bague, D20 x D30	4	4	4	4								
7	807831	Hanger Weldman Rear Axle 81"	1	1	1	1								
8	807836	Hanger Steer Axle Compact T3, 77"	1	1	1	1								
9	61683	Washer	4	4	4	4								
													19.00	

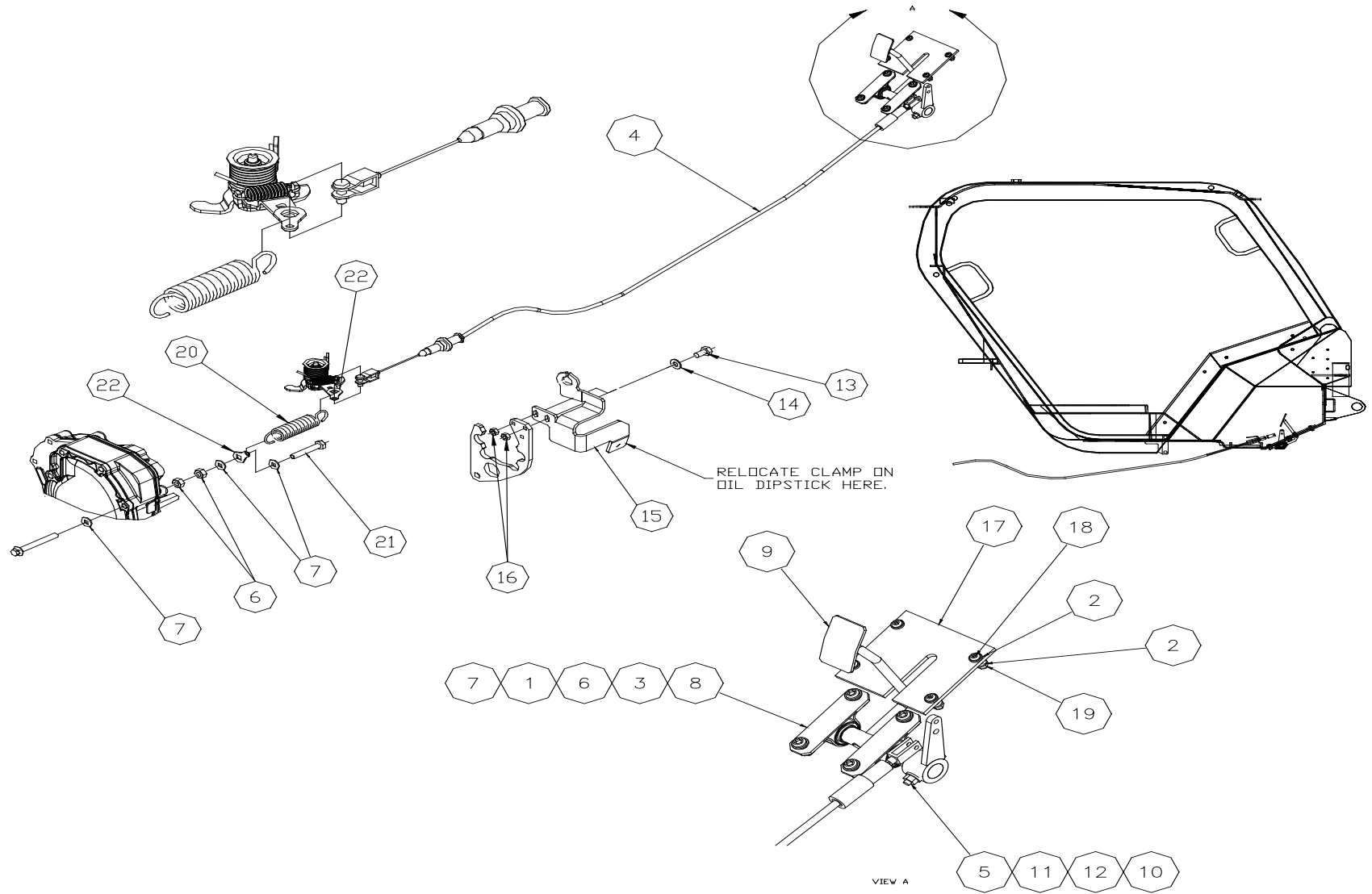


		QTY./MODEL				6 BA											
1/2		KD HAWK, BRAKE SYSTEM ASSY.				1- 30-2 T 2- 30-4 T 3- 30-2 TH 4- 30-4 TH											
ITEM	PART NO.	DESCRIPTION				1	2	3	4	5	6	7	8	9	10	11	12
2	271498	Master Cylinder, Brake				1	1	1	1								
3	801864	Bearing, @3/4 Pillow Block				2	2	2	2								
5	801885	Pin, Brake Assy.				1	1	1	1								
6	K34806SS	Washer, 5/16 Lock				7	7	7	7								
7	K89778	Screw, Set 5/16-1/2 Cone				1	1	1	1								
8	479218	Hose Clamp				2	2	2	2								
9	5549	Clevis Assy.				1	1	1	1								
10	56354	Nut, M8-1.25 Hex				1	1	1	1								
11	5398	Spring				1	1	1	1								
12	219834	Rod, Master Cylinder				1	1	1	1								
13	K33922	Nut, 5/16-18 Hex Jam				7	7	7	7								
14	K20386SS	Bolt, 5/16-18x1 Hex SS				8	8	8	8								
16	K97524	Ring, 3/4 EXT RET				2	2	2	2								
17	801886	Tab, Inching Valve Act.				1	1	1	1								
19	802054	Adapter, 3/4 SAE(M)-1/8NPT(F)				1	1	1	1								
20	B3500	Adapter				1	1	1	1								
21	219559	Reservoir, Brake Fluid				1	1	1	1								
22	802779	Hose, Hose, 1/4x2.75 Long				1	1	1	1								
23	240821	Pad, Pedal Cover				1	1	1	1								
24	802010	Angle				1	1	1	1								
25	61674	Washer, M8 Flat				4	4	4	4								
26	58528	Nut				2	2	2	2								
27	54951	Bolt, M8 x 16				2	2	2	2								
28	802876	Weld Assy. Brake Pedal				1	1	1	1								
29	233837	Seal				1	1	1	1								
30	81044	Seal				1	1	1	1								

20.00

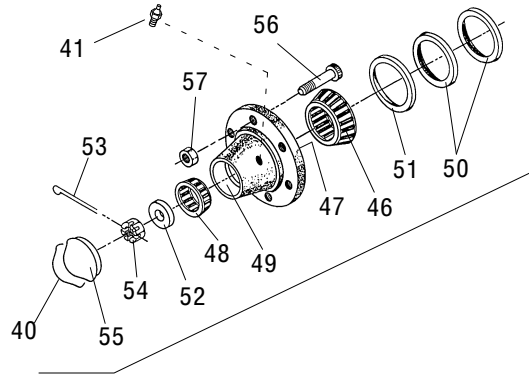
		QTY./MODEL				6 BA								
2/2		KD HAWK, BRAKE SYSTEM ASSY.				1- 30-2 T 2- 30-4 T 3- 30-2 TH 4- 30-4 TH								
ITEM	PART NO.	DESCRIPTION	1	2	3	4	5	6	7	8	9	10	11	12
28	802876	Weld Assy. Brake Pedal	1	1	1	1								
29	233837	Seal	1	1	1	1								
30	81044	Seal	1	1	1	1								
31	175498	Fittin MA8S/MA14x150	2	2	2	2								
32	190442	Tee Fitting	1	1	1	1								
33	237806	Tube Hyd,	1	1	1	1								
34	24704	Brake Hose	1	1	1	1								
35	497922	Fitting	1	1	1	1								

20.00

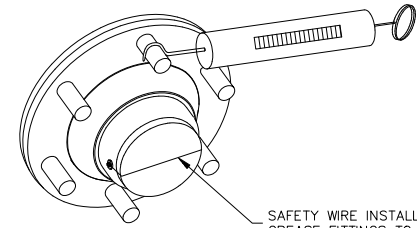


		QTY./MODEL				4 AB								
1/1		KD HAWK, ACCELERATOR PEDAL ASSY.				1- 30-2 T 2- 30-4 T 3- 30-2 TH 4- 30-4 TH								
ITEM	PART NO.	DESCRIPTION	1	2	3	4	5	6	7	8	9	10	11	12
1	202144	Screw, M8-1.25x20 BHC	4	4	4	4								
2	42316	Washer, M6 Lock	8	8	8	8								
3	42325	Washer, M8 Lock	4	4	4	4								
4	806748	Throttle Cable	1	1	1	1								
5	493789	Lock-Nut, Hex 1/4-20	1	1	1	1								
6	58528	Nut	6	6	6	6								
7	61674	Washer, M8 Flat	7	7	7	7								
8	801864	Bearing, Dia. 3/4 Pillow Block	2	2	2	2								
9	804222	Pedal Assy.	1	1	1	1								
10	806869	Arm Assy.	1	1	1	1								
11	K300858	Bolt, 1/4-20x1-3/4	1	1	1	1								
12	K44719	Washer, 1/4 Flat	2	2	2	2								
13	46668	Bolt, M6 x 20	2	2	2	2								
14	29469	Washer, Lock	2	2	2	2								
15	271456	Accelerator Cable Bracket	1	1	1	1								
16	162229	Nut, Lock	2	2	2	2								
17	804806	Cover	1	1	1	1								
18	205275	Screw, M6-1 Cap	4	4	4	4								
19	25714	Nut, M6-1 Hex	4	4	4	4								
20	475379	Spring	1	1	1	1								
21	6224	Bolt	1	1	1	1								
22	204069	Attache Ressort	2	2	2	2								

21.00



HUB ASSEMBLY
ITEM 7
(EXCEPT ITEM 40)

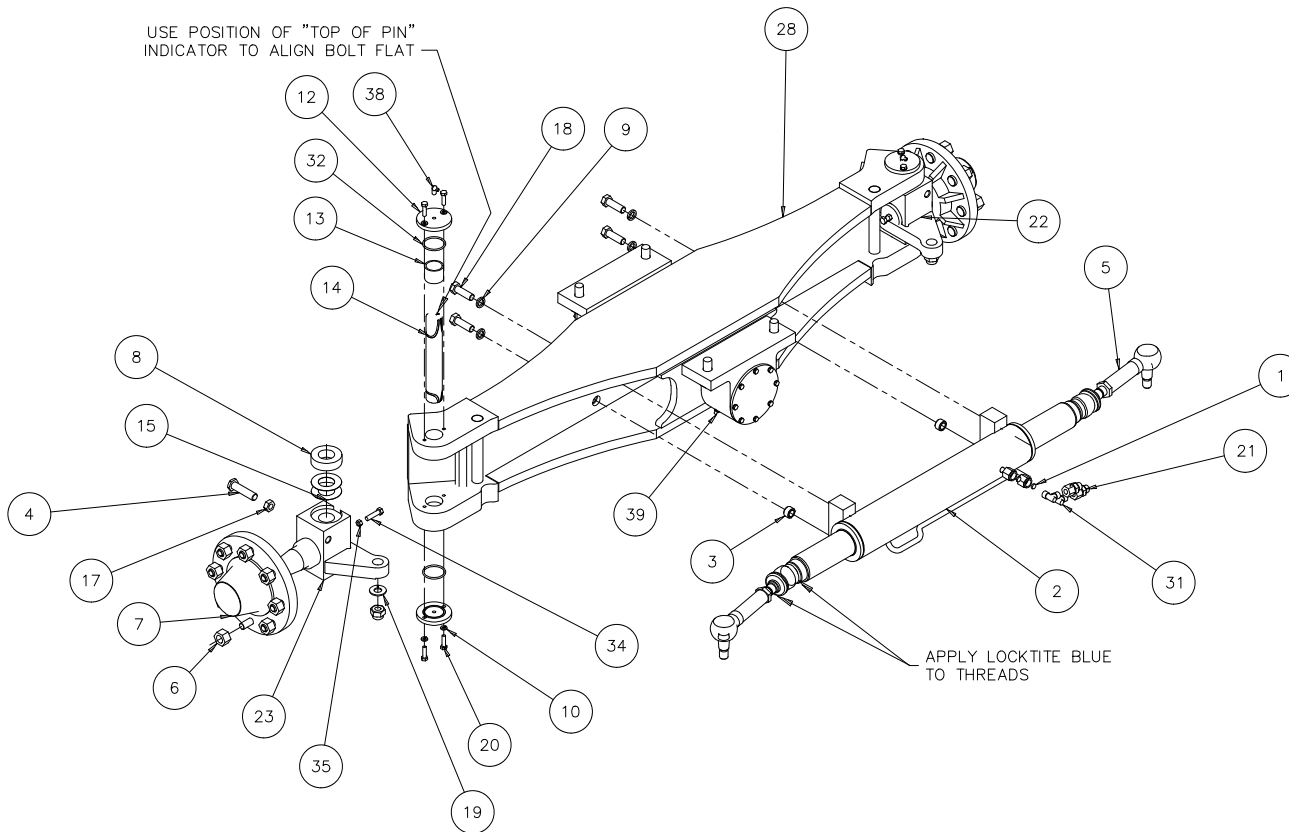


SAFETY WIRE INSTALL UNDER
GREASE FITTINGS TO RETAIN DUST CAP

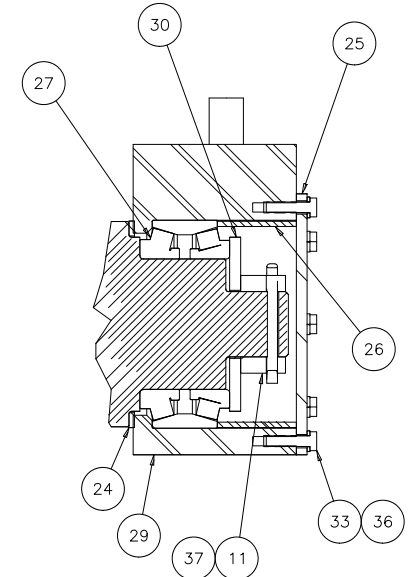
NOTE:

1. PRESET BEARINGS WITH 190 TO 200 FT-LB.
2. FINAL TORQUE AROUND 35-40 FT-LB.
3. FINAL INSPECTION HAS A PULL TEST OF 15-20 LB.

USE POSITION OF "TOP OF PIN"
INDICATOR TO ALIGN BOLT FLAT



APPLY LOCKTITE BLUE
TO THREADS



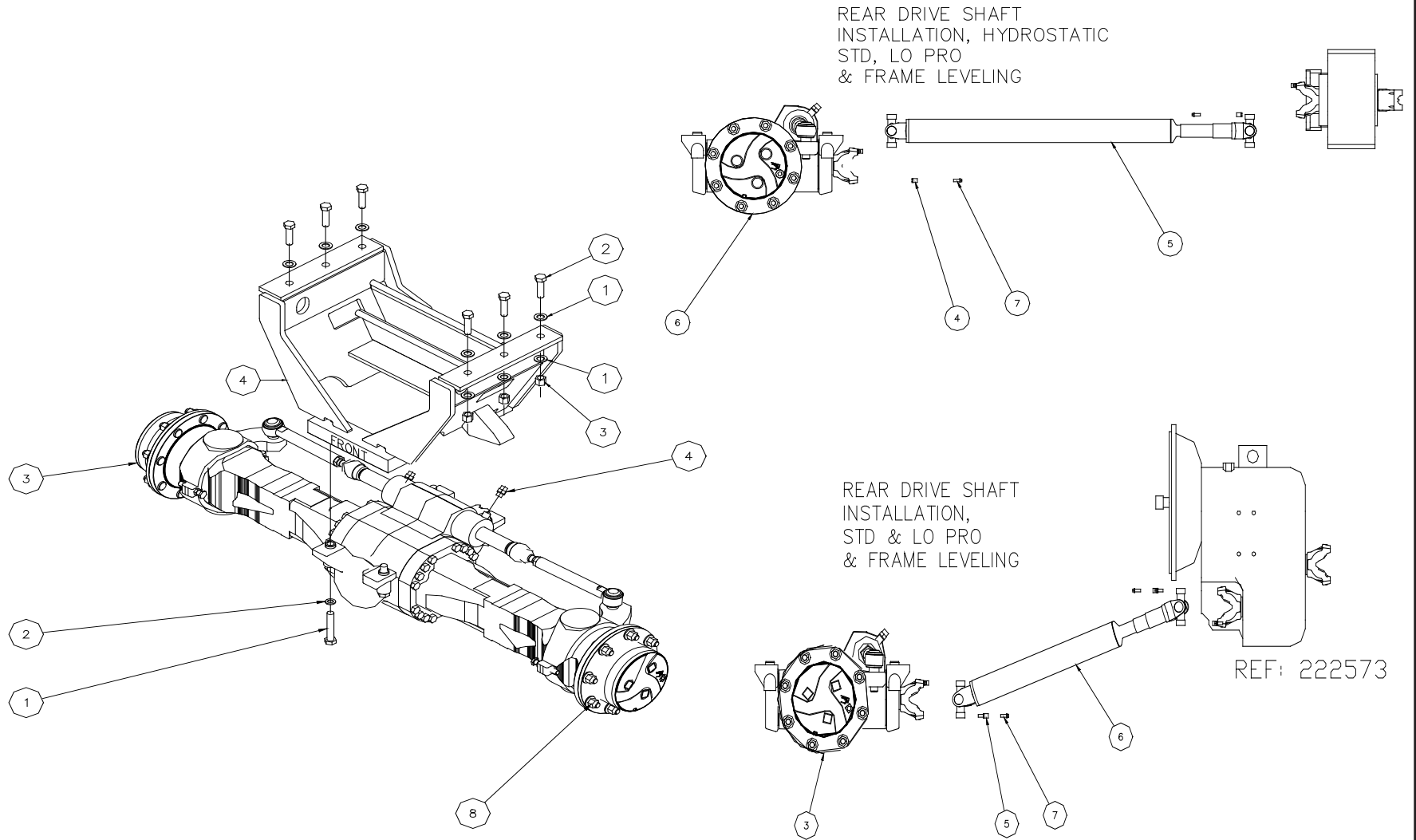
CROSS SECTION OF
STEER AXLE PIVOT BEARINGS

		QTY./MODEL				7 AA											
1/2		KD HAWK, STEER AXLE, 2WD				1- 30-2 T 2- 30-4 T 3- 30-2 TH 4- 30-4 TH											
ITEM	PART NO.	DESCRIPTION				1	2	3	4	5	6	7	8	9	10	11	12
		805691 Steer axle assembly, complete				1	1	1	1								
1	169437	Joint, Seal				2	2	2	2								
2	200316	Cylinder Assembly, Steering				1	1	1	1								
3	200317	Centering Bushing				2	2	2	2								
4	203524	Stop, Bolt				2	2	2	2								
5	229433	Rod Asy. Coupling				2	2	2	2								
6	421116	Nut, Steer Lug				16	16	16	16								
7	421318	Hub Assembly				2	2	2	2								
8	421520	Bearing, Thrust				2	2	2	2								
9	42322	Washer, Lock M--16				4	4	4	4								
10	42325	Washer, Lock M--8				8	8	8	8								
11	425137	Nut				2	2	2	2								
12	425674	Cover, King Pin				4	4	4	4								
13	426041	Bushing				4	4	4	4								
14	426042	Pin, King				2	2	2	2								
15	426131	Shim, 0.0149 in.				4	4	4	4								
16	448930	Bolt				4	4	4	4								
17	58574	Nut				2	2	2	2								
18	61308	Bolt				4	4	4	4								
19	61683	Washer, Flat M20				6	6	8	8								
20	63754	Bolt				8	8	8	8								
21	803285	Adapter, Swivel				2	2	2	2								
22	803920	Spindle Arm, L/H				1	1	1	1								
23	803922	Spindle Arm, R/H				1	1	1	1								
24	805688	Washer, Felt				2	2	2	2								
25	805689	Plate, Cover				2	2	2	2								
26	805690	Ring				2	2	2	2								
27	805693	Bearing				2	2	2	2								
28	805694	Steer Axle Assembly				1	1	1	1								

23.00

				QTY./MODEL				7 AA							
2/2		KD HAWK, STEER AXLE, 2WD		1- 30-2 T 2- 30-4 T 3- 30-2 TH 4- 30-4 TH											
ITEM	PART NO.	DESCRIPTION		1	2	3	4	5	6	7	8	9	10	11	12
29	805697	Housing		2	2	2	2								
30	805698	Plate, Retainer		2	2	2	2								
31	89179	Connector.		2	2	2	2								
32	K134	O--ring		4	4	4	4								
33	K20384	Bolt		16	16	16	16								
34	K302264	Screw		2	2	2	2								
35	K33799	Nut		2	2	2	2								
36	K34805	Washer		16	16	16	16								
37	K72147	Pin Cotter		2	2	2	2								
38	K87914	Grease Fitting		2	2	2	2								
39	T51534	Grease Fitting		2	2	2	2								
40	806118	Safety Wire		2	2	2	2								
41	K87907	Grease fitting		4	4	4	4								
46	421305	Bearing, inner		1	1	1	1								
47	421313	Inner Bearing Race		1	1	1	1								
48	421306	Bearing, Outer		1	1	1	1								
49	421314	Outer Bearing Race		1	1	1	1								
50	421538	Washer, Felt		4	4	4	4								
51	421307	Seal, Grease		1	1	1	1								
52	421309	Washer, Spindle		6	6	6	6								
53	421311	Pin, Cotter		1	1	1	1								
54	421310	Nut, Slotted		1	1	1	1								
55	421304	Cap, Grease		1	1	1	1								
56	421315	Bolt, Lug		8	8	8	8								
57	421116	Nut, Lug		8	8	8	8								

23.00



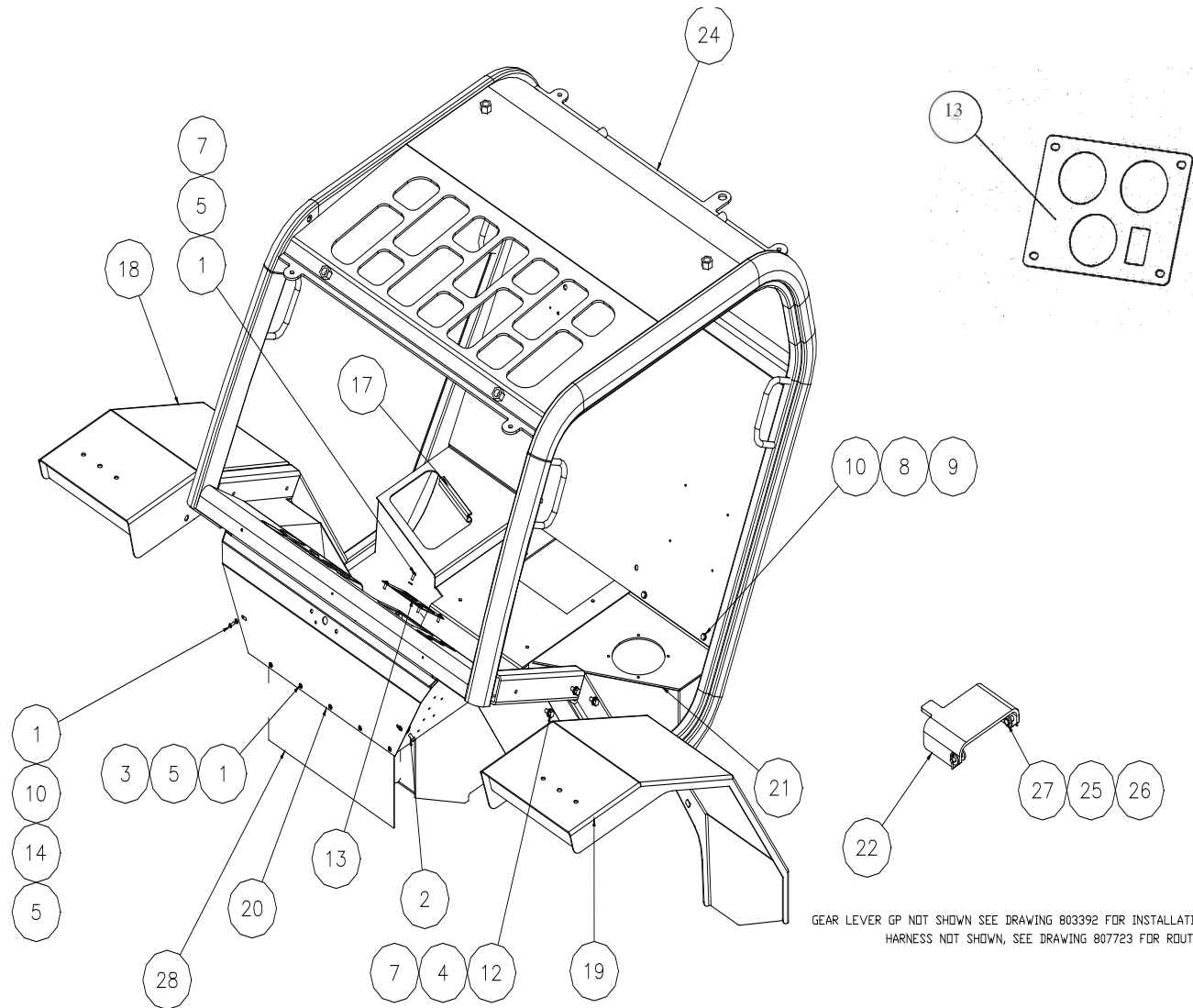
REAR DRIVE SHAFT
INSTALLATION, HYDROSTATIC
STD, LO PRO
& FRAME LEVELING

REAR DRIVE SHAFT
INSTALLATION,
STD & LO PRO
& FRAME LEVELING

NOTE:
APPLY LOCTITE 242 (BLUE) TO THE THREADS
OF ALL BOLTS DURING INSTALLATION.

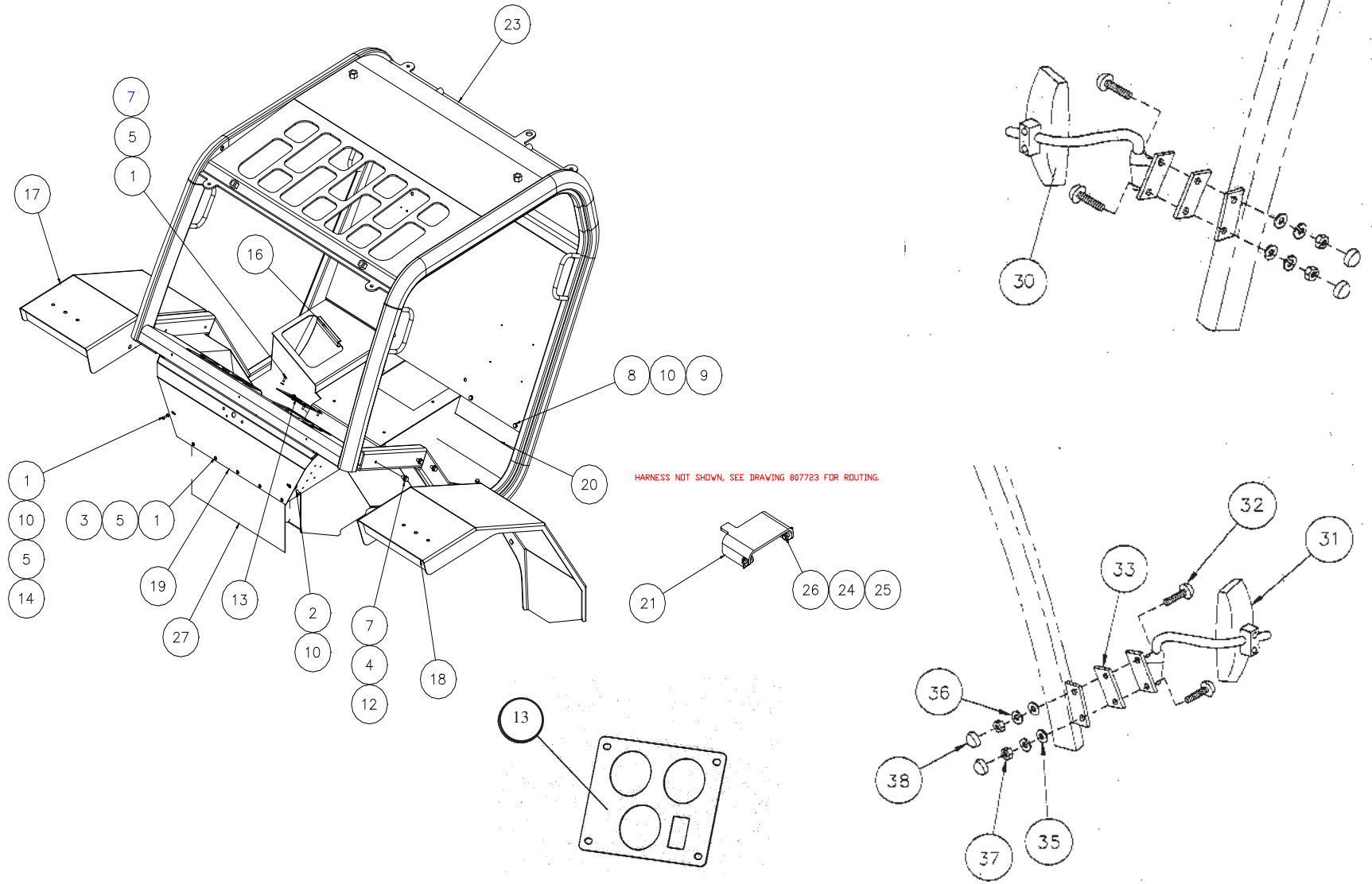
		QTY./MODEL				7 AB											
1/1		KD HAWK, STEERING AXLE & DRIVE INSTALLATION, 4WD				1- 30-2 T 2- 30-4 T 3- 30-2 TH 4- 30-4 TH											
ITEM	PART NO.	DESCRIPTION				1	2	3	4	5	6	7	8	9	10	11	12
1	58633	Bolt, M20 x 110					4		4								
2	61683	Washer, Flat M-20					4		4								
3	247289	Axle, Steer 4WD Dana 212/192					1		1								
4	803282	Connector, 8M18F82EDMLO-S					2		2								
5	109751	Clamp, Half					4		4								
6	802048	Drive Shaft, Rear					1		1								
7	409752	Bolt, 5/16-24					8		8								
8	247292	Lug Nut					16		16								
9	802049	Drive Shaft, Rear HYDROSTATIC					1		1								
10	804064	Axle, Steer 4WD HYDROSTATIC					1		1								

24.00



		QTY./MODEL										8 AA		
1/1		KD HAWK, CAB ASSY. & CAB FENDERS 4 SPEED TRANSMISSION										1- 30-2 T 2- 30-4 T 3- 30-2 TH 4- 30-4 TH		
ITEM	PART NO.	DESCRIPTION	1	2	3	4	5	6	7	8	9	10	11	12
1	189172	Screw , M6-1x16 BH Cap	11	11										
2	202731	Screw, M8-1.25 Button Head	2	2										
3	25714	Nut, M6-1 Hex	9	9										
4	29437	Washer, M10 Flat	8	8										
5	29469	Washer, M6 Flat	16	16										
7	42232	Washer, M10 Lock	8	8										
8	57446	Bolt, M8-1.25x25 Hex	4	4										
9	58528	Nut	4	4										
10	61674	Washer, M8 Flat	10	10										
12	63727	Bolt, M10-1.5x20 Hex	8	8										
13	802755	Plate, Gauges	1	1										
14	802771	Angle	2	2										
15	807723	CAB/OHG Harness	1	1										
16	803392	Gear Lever GP	1	1										
17	803393	Seal	1	1										
18	803458	Fender Assy. Front RH	1	1										
19	803461	Fender Assy. Front LH	1	1										
20	803663	Cover Front	1	1										
21	804272	Cover Assy. Torque Conv.	1	1										
22	805685	Cover, Diff. Lock	1	1										
24	807499	Cab Assy.	1	1										
25	K44719	Washer, 1/4 Flat	4	4										
26	K72016	Pin	2	2										
27	K76176	Pin, 1/4 x 7/8 Clevis	2	2										
28	806094	Skirt, Rubber	1	1										

25.00

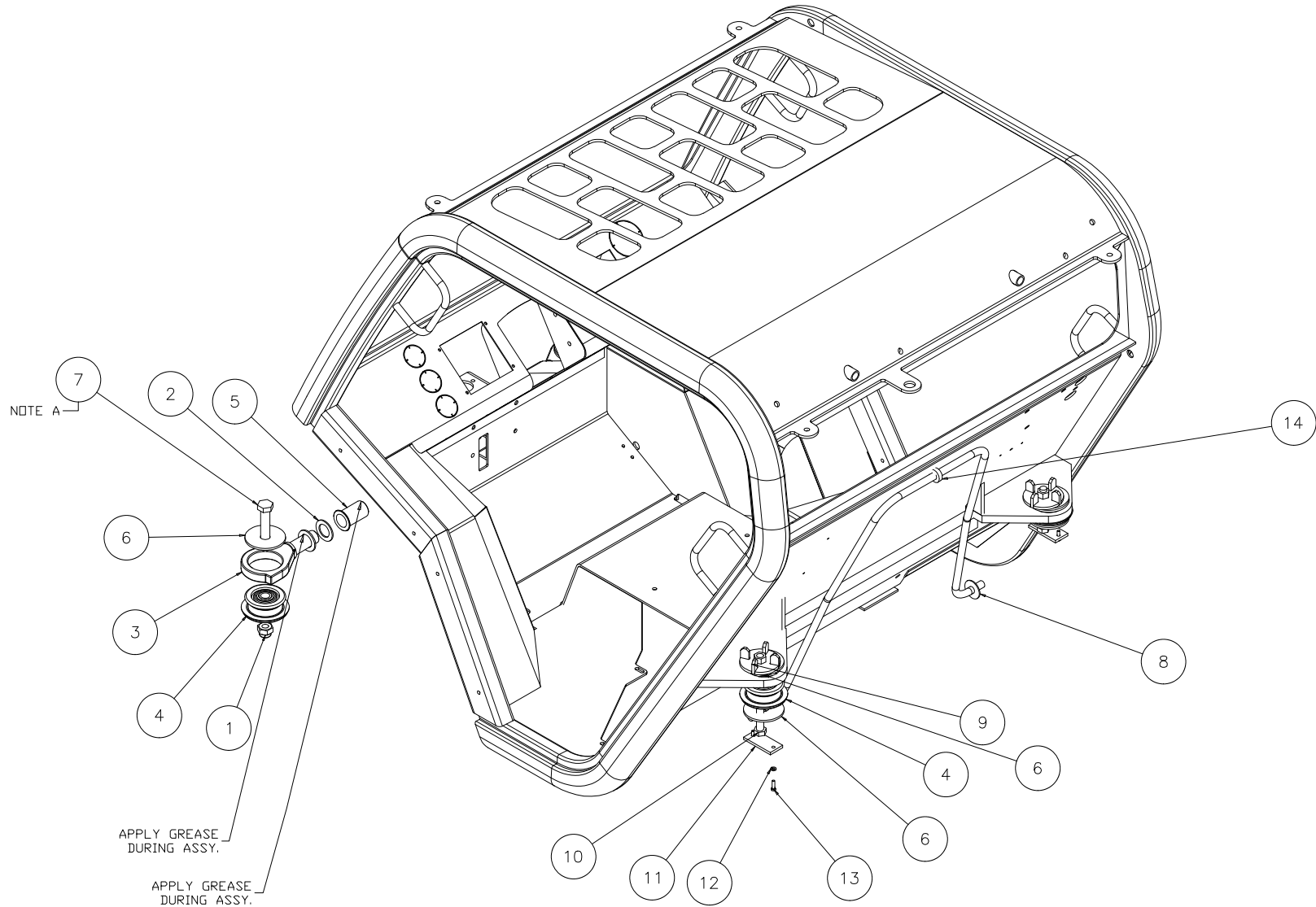


		QTY./MODEL				8 AA											
1/2		KD HAWK, CAB ASSY. AND FENDERS, HYDROSTATIC (SIDE VIEW MIRRORS FOR ALL MODELS)				1- 30-2 T 2- 30-4 T 3- 30-2 TH 4- 30-4 TH											
ITEM	PART NO.	DESCRIPTION				1	2	3	4	5	6	7	8	9	10	11	12
1	189172	Screw , M6-1x16 BH Cap						11	11								
2	202731	Screw, M8-1.25 Button Head						2	2								
3	25714	Nut, M6-1 Hex						9	9								
4	29437	Washer, M10 Flat						8	8								
5	29469	Washer, M6 Flat						16	16								
7	42232	Washer, M10 Lock						8	8								
8	57446	Bolt, M8-1.25x25 Hex						4	4								
9	58528	Nut						4	4								
10	61674	Washer, M8 Flat						10	10								
12	63727	Bolt, M10-1.5x20 Hex						8	8								
13	802755	Plate, Gauges						1	1								
14	802771	Angle						2	2								
15	807723	CAB/OHG Harness						1	1								
16	803393	Seal						1	1								
17	803458	Fender Assy. Front RH						1	1								
18	803461	Fender Assy. Front LH						1	1								
19	803663	Cover Front						1	1								
20	804274	Cover Assy. HYDRASTATIC						1	1								
21	805685	Cover, Diff. Lock						1	1								
23	807499	Cab Assy.						1	1								
24	K44719	Washer, 1/4 Flat						4	4								
25	K72016	Pin						2	2								
26	K76176	Pin, 1/4 x 7/8 Clevis						2	2								
27	806094	Skirt, Rubber						1	1								

26.00

				QTY./MODEL				8 AA							
2/2		KD HAWK CAB ASSY. AND FENDERS, HYDROSTATIC (SIDE VIEW MIRRORS FOR ALL MODELS)		1- 30-2 T 2- 30-4 T 3- 30-2 TH 4- 30-4 TH											
ITEM	PART NO.	DESCRIPTION		1	2	3	4	5	6	7	8	9	10	11	12
30	205809	Mirror, RH	1 All Models												
31	551451	Mirror, LH	1 All Models												
32	29441	Screw	2 All Models												
33		Spacer, Included with Mirror													
35	29469	Washer, Flat M6	2 All Models												
36	42316	Washer, M6 Lock	2 All Models												
37	25714	Nut, Hex M6	2 All Models												
38	55404	Cap	2 All Models												

26.00



NOTE A

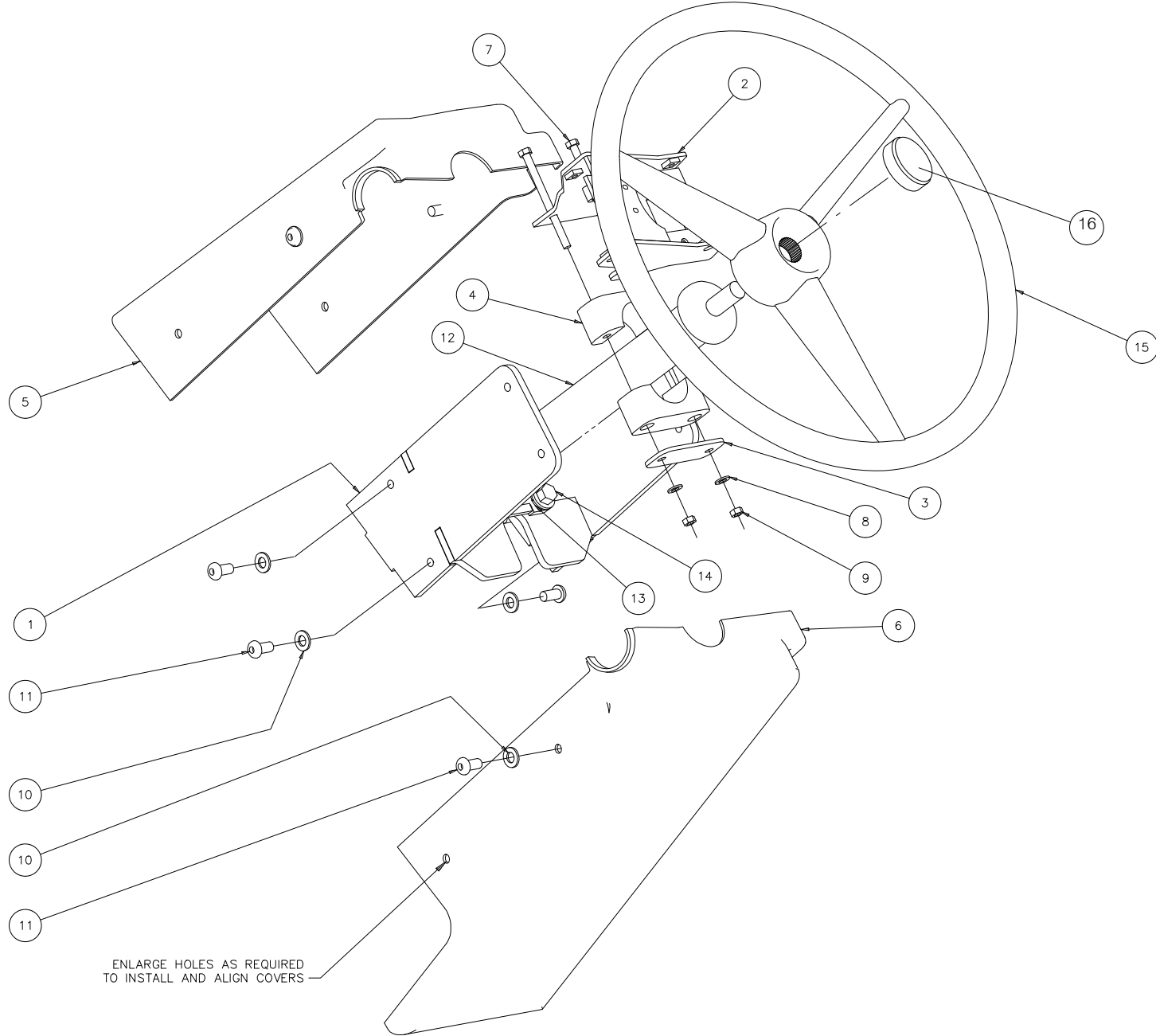
APPLY GREASE
DURING ASSY.

APPLY GREASE
DURING ASSY.

NOTE A: TORQUE TO 265 FT LB ± 26 FT LB
4 PLACES.

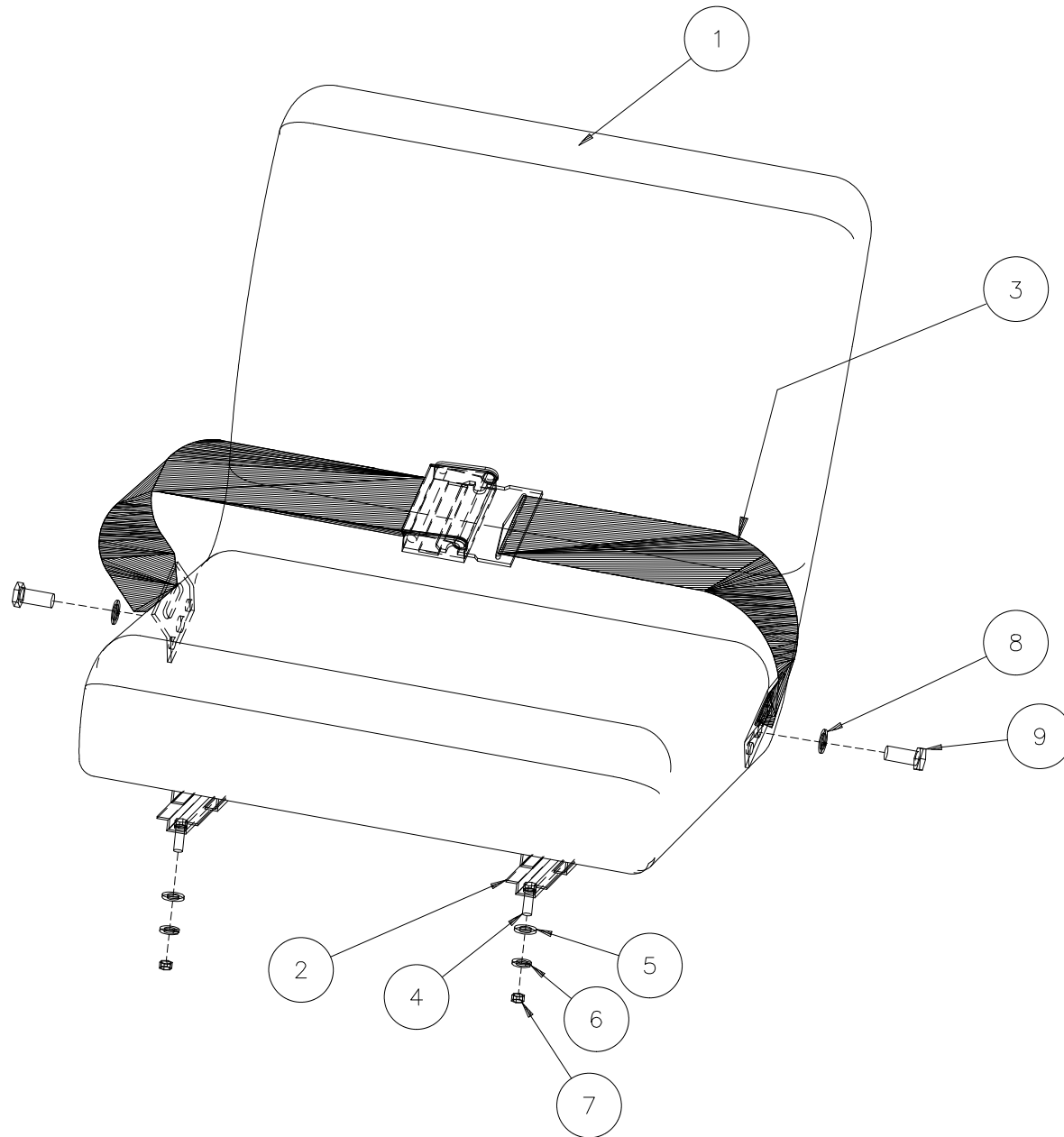
		QTY./MODEL				8 AA											
1/1		KD HAWK, CAB MOUNTING ASSY.				1- 30-2 T 2- 30-4 T 3- 30-2 TH 4- 30-4 TH											
ITEM	PART NO.	DESCRIPTION				1	2	3	4	5	6	7	8	9	10	11	12
1	185054	Lock Nut M20				1	1	1	1								
2	202947	Washer				4	4	4	4								
3	207783	Bearing				2	2	2	2								
4	209113	Shock Absorber				4	4	4	4								
5	210005	Bushing				2	2	2	2								
6	210006	Washer				8	8	8	8								
7	58633	Bolt, M20 x 110				2	2	2	2								
8	806993	Cab Stand Assy.				1	1	1	1								
9	803723	Wing Nut Assy.				2	2	2	2								
10	K45840	Bolt, 5/8-11x4				2	2	2	2								
11	804358	Plate, Cover				2	2	2	2								
12	42316	Washer, M6 Lock				4	4	4	4								
13	46668	Bolt				4	4	4	4								
14	82520	Grommet				1	1	1	1								
15	B3698-17	Clamp, 1-1/4				3	3	3	3								

27.00



		QTY./MODEL				8 AA								
1/1		KD HAWK, STEERING COLUMN ASSY.				1- 30-2 T 2- 30-4 T 3- 30-2 TH 4- 30-4 TH								
ITEM	PART NO.	DESCRIPTION	1	2	3	4	5	6	7	8	9	10	11	12
1	802025	Steering mount assembly	1	1	1	1								
2	203115	Bracket, steering column	1	1	1	1								
3	168870	Plate, cover	1	1	1	1								
4	174321	Clamp, hose half	2	2	2	2								
5	202953	Cover, column front	1	1	1	1								
6	202954	Cover, column rear	1	1	1	1								
7	165919	Bolt	2	2	2	2								
8	29469	Washer, flat	2	2	2	2								
9	162229	Nut	2	2	2	2								
10	61674	Washer, flat	8	8	8	8								
11	202731	Screw	8	8	8	8								
12	30327	Column, steering	1	1	1	1								
13	42232	Washer, lock	4	4	4	4								
14	63544	Bolt	4	4	4	4								
15	191613	Steering wheel	1	1	1	1								
16	195069	Steering wheel cap	1	1	1	1								

28.00



		QTY./MODEL				8 AA											
1/1		KD HAWK, SEAT ASSY. LOW BACK				1- 30-2 T 2- 30-4 T 3- 30-2 TH 4- 30-4 TH											
ITEM	PART NO.	DESCRIPTION				1	2	3	4	5	6	7	8	9	10	11	12
1	804673	Seat, 17.5 in. height				1	1	1	1								
2	802398	Rail kit, less hardware				1	1	1	1								
3	495931	Seat belt, 3 in.				1	1	1	1								
4	K20346SS	Bolt				4	4	4	4								
5	K44722	Washer				4	4	4	4								
6	K34806	Washer, lock				4	4	4	4								
7	K55961	Nut, lock				4	4	4	4								
8	K34808	Washer, lock				2	2	2	2								
9	K20391	Bolt				2	2	2	2								

29.00

8 AA

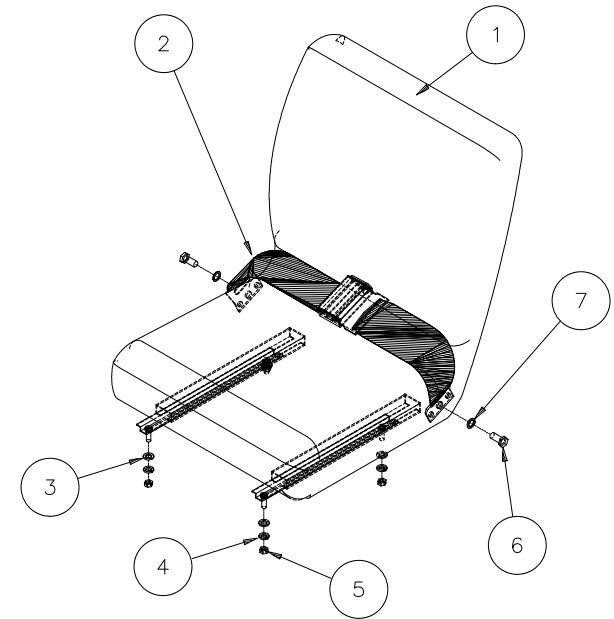
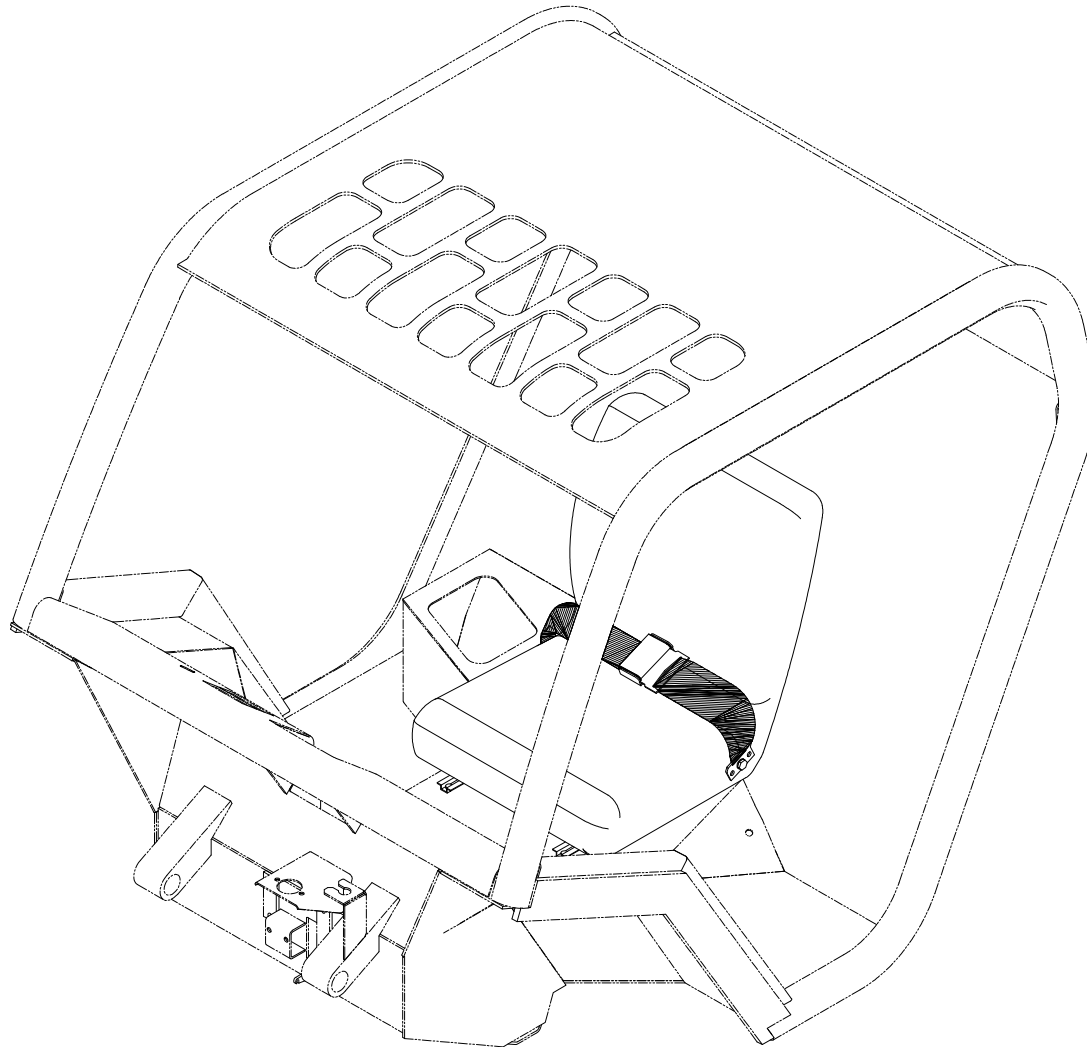
K-D HAWK SEAT ASSEMBLY, HIGH BACK

30-2T

30-4T

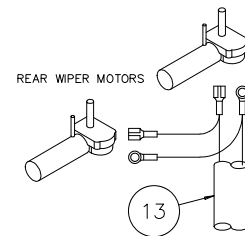
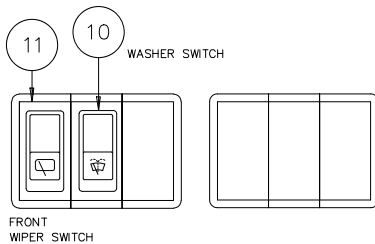
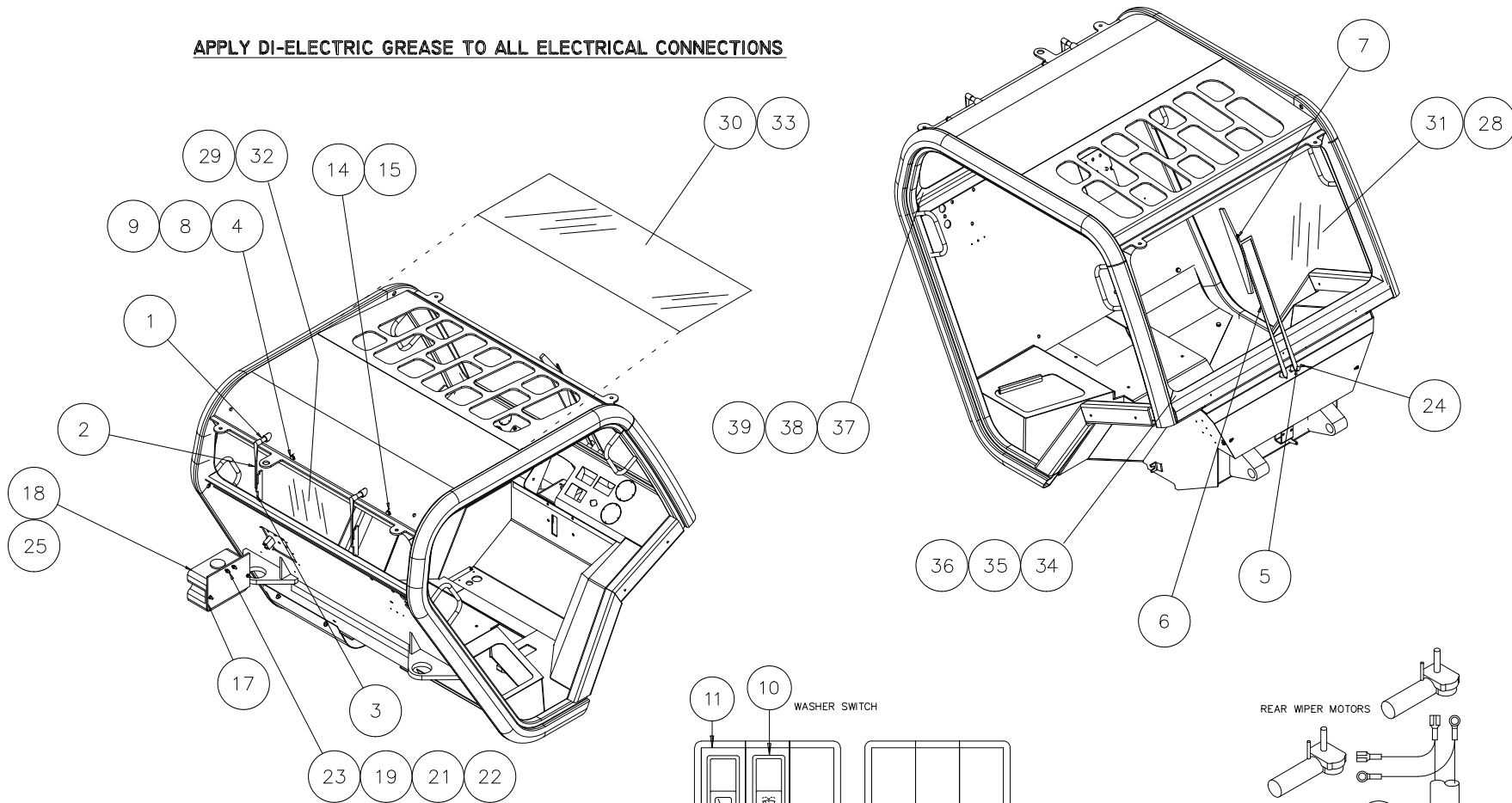
30-2 T H

30-4T H



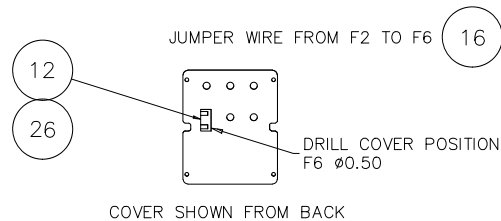
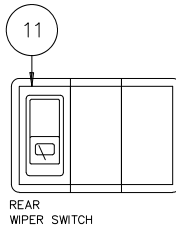
K-D HAWK WINDSHIELD AND WIPER KIT

APPLY DI-ELECTRIC GREASE TO ALL ELECTRICAL CONNECTIONS



NOTE: SET REAR MOTORS TO 85°/65°

FRONT WIPER MOTOR CONNECTS TO PLUG ON WIPER HARNESS



		QTY./MODEL				8 AA											
1/2		KD HAWK, WINDSHIELD AND WIPER KIT				1- 30-2 T 2- 30-4 T 3- 30-2 TH 4- 30-4 TH											
ITEM	PART NO.	DESCRIPTION				1	2	3	4	5	6	7	8	9	10	11	12
1	491718	Motor, Wiper				2	2	2	2								
2	803208	Wiper Arm				2	2	2	2								
3	803209	Wiper Blade				2	2	2	2								
4	58531	Bolt, M8				2	2	2	2								
5	803168	Motor, Wiper				1	1	1	1								
6	803169	Wiper Arm				1	1	1	1								
7	803202	Wiper Blade				1	1	1	1								
8	61674	Washer, M8				4	4	4	4								
9	58528	Nut				2	2	2	2								
10	807170	Switch				1	1	1	1								
11	805904	Switch				2	2	2	2								
12	805887	Circuit Breaker 20 A				1	1	1	1								
13	805902	Harness, Wiper				1	1	1	1								
14	804024	Spacer				2	2	2	2								
15	804025	Spacer				2	2	2	2								
16	805905	Wire Assembly, Jumper				1	1	1	1								
17	805937	Bracket				1	1	1	1								
18	805936	Washer Bottle				1	1	1	1								
19	29469	Washer, M6				4	4	4	4								
21	42316	Washer, M6				4	4	4	4								
22	25714	Nut, M6				4	4	4	4								
23	168343	Bolt, M6				4	4	4	4								
24	805938	Bulkhead Fitting				1	1	1	1								
25	805939	Hose				1	1	1	1								
26	806341	Boot, Breaker				1	1	1	1								
27	803138	Windshield Kit(items 28-39)				1	1	1	1								
28	803144	Glass Plate, Front				1	1	1	1								

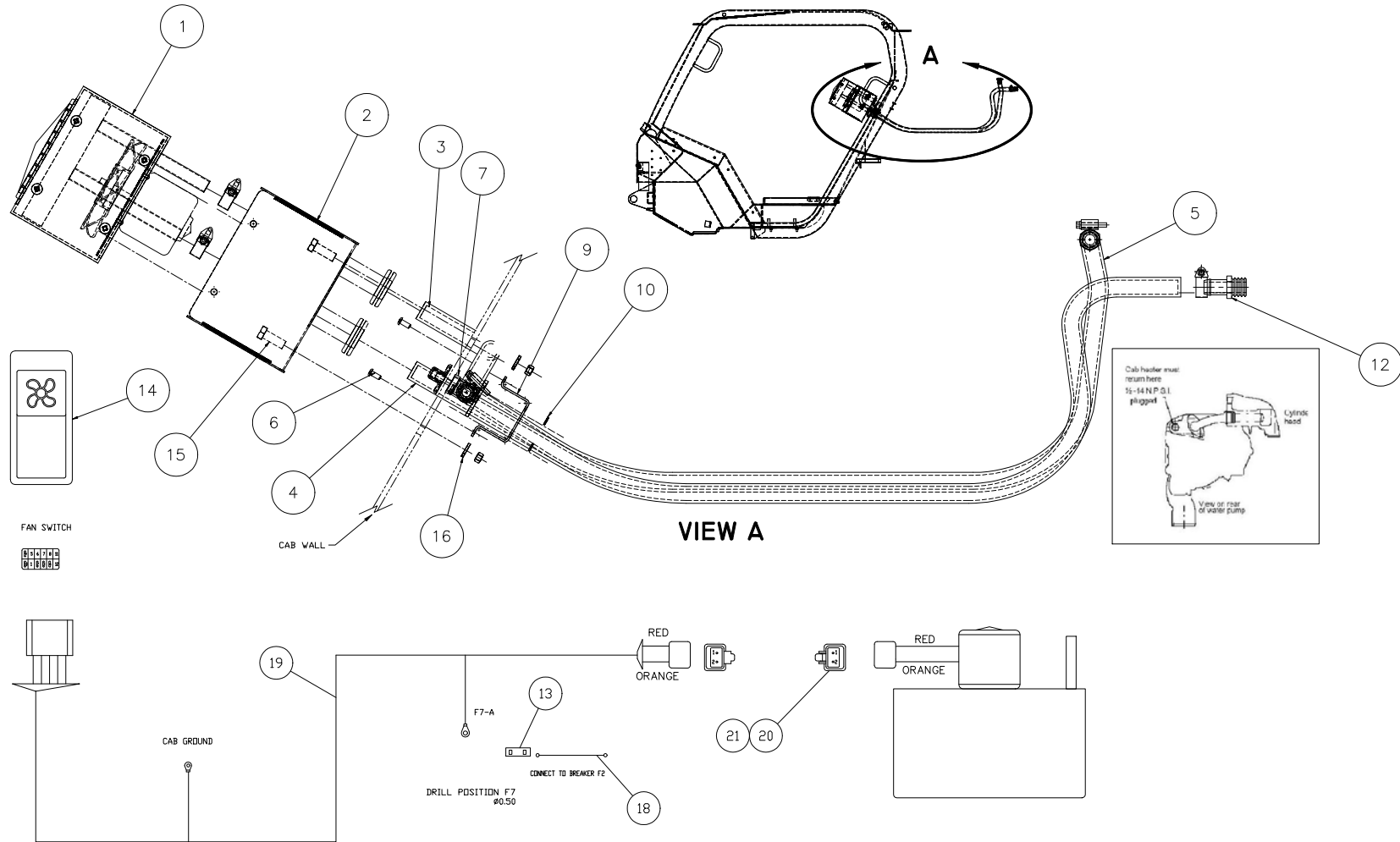
31.00

		QTY./MODEL				8 AA								
2/2		KD HAWK, WINDSHIELD AND WIPER KIT				1- 30-2 T 2- 30-4 T 3- 30-2 TH 4- 30-4 TH								
ITEM	PART NO.	DESCRIPTION	1	2	3	4	5	6	7	8	9	10	11	12
29	803142	Glass plate, rear	1	1	1	1								
30	803140	Glass plate, top	1	1	1	1								
31	Z4056	Gasket, front, 117 in.	1	1	1	1								
32	Z4056	Gasket, rear, 89 in.	1	1	1	1								
33	Z4053	Trim--Lock, 115 in.	1	1	1	1								
34	803622	Frame, window front upper	1	1	1	1								
35	803623	Frame, window front side	2	2	2	2								
36	803621	Frame, window front lower	1	1	1	1								
37	803625	Frame, window rear upper	1	1	1	1								
38	803626	Frame, window rear side	2	2	2	2								
39	803624	Frame, window rear lower	1	1	1	1								

31.00

K-D HAWK HEATER, FIREWALL

APPLY DI-ELECTRIC GREASE TO ALL ELECTRICAL CONNECTIONS



NOTE:

1. FAN SWITCH IS LOCATED ON DASH.
2. APPLY TEFLON TAPE TO ALL PIPE THREADS

		QTY./MODEL				8 AD								
1/1		KD HAWK, HEATER FIREWALL				1- 30-2 T 2- 30-4 T 3- 30-2 TH 4- 30-4 TH								
ITEM	PART NO.	DESCRIPTION	1	2	3	4	5	6	7	8	9	10	11	12
1	B3354 --7	Heater Assembly	1	1	1	1								
2	493370	Heater Mount	1	1	1	1								
3	802822	Heater Hose, 30 in.	1	1	1	1								
4	802821	Heater Hose, 93 in.	1	1	1	1								
5	802820	Heater Hose, 117 in.	1	1	1	1								
6	79533	Screw	2	2	2	2								
7	198060	Water Control Valve	1	1	1	1								
8	4240	Bolt	2	2	2	2								
9	196821	Bracket	1	1	1	1								
10	28959	Washer	2	2	2	2								
11	54232	Nut	2	2	2	2								
12	198059	Connector	2	2	2	2								
13	805973	Breaker, 15 Amp	1	1	1	1								
14	805974	Switch , Fan	1	1	1	1								
15	K20388SS	Bolt	3	3	3	3								
16	K34807SS	Washer	3	3	3	3								
17	K33799SS	Nut	3	3	3	3								
18	805905	Jumper Wire	1	1	1	1								
19	805972	Harness Assembly, Heater	1	1	1	1								
20	805911	Plub	1	1	1	1								
21	805912	Socket	2	2	2	2								
22	806341	Boot, Breaker	1	1	1	1								

32.00

9 AA

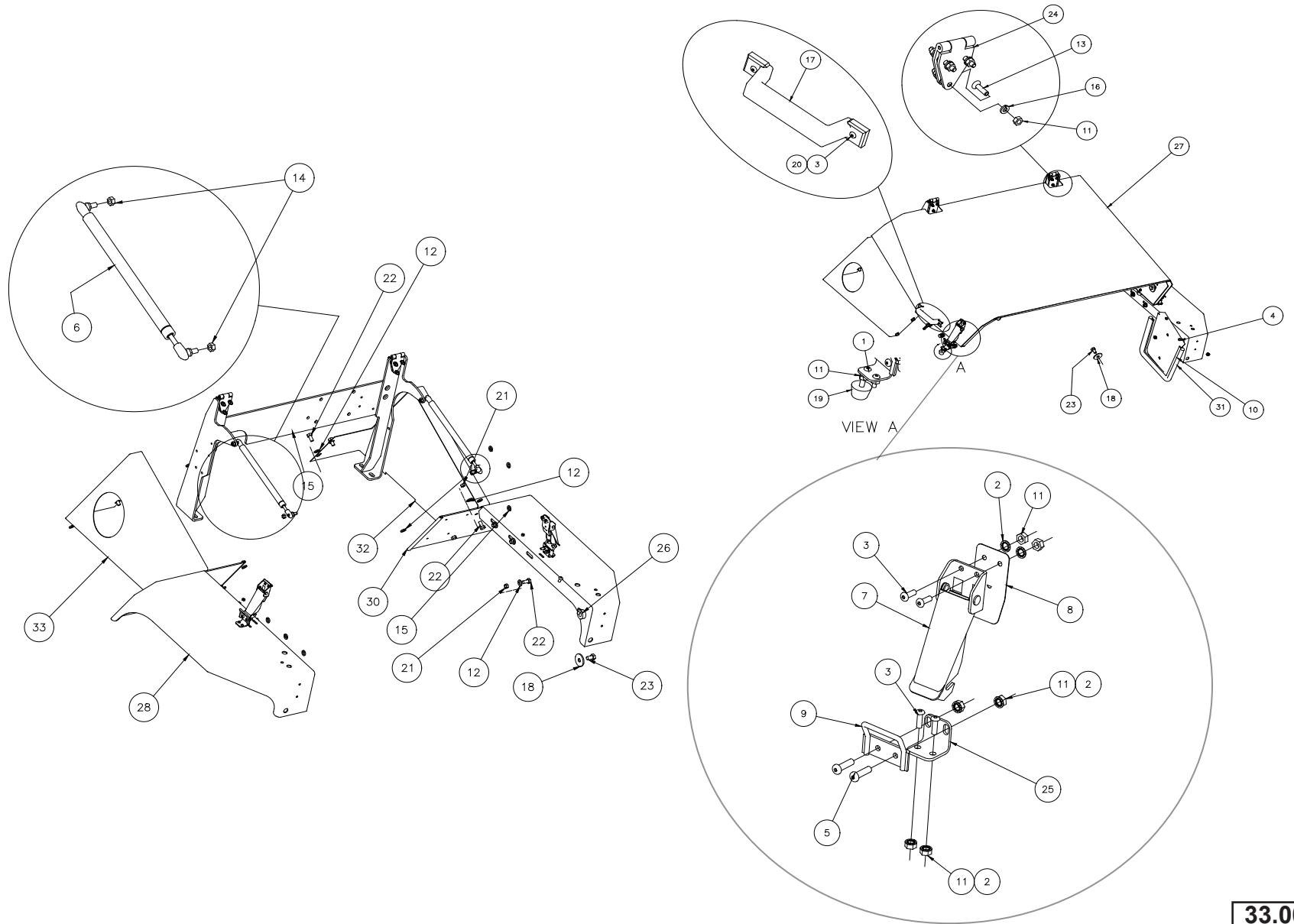
K-D HAWK SIDE PANELS, REAR FENDERS
AND HOOD LIFT CYLINDERS

30-2T

30-4T

30-2TH

30-4TH

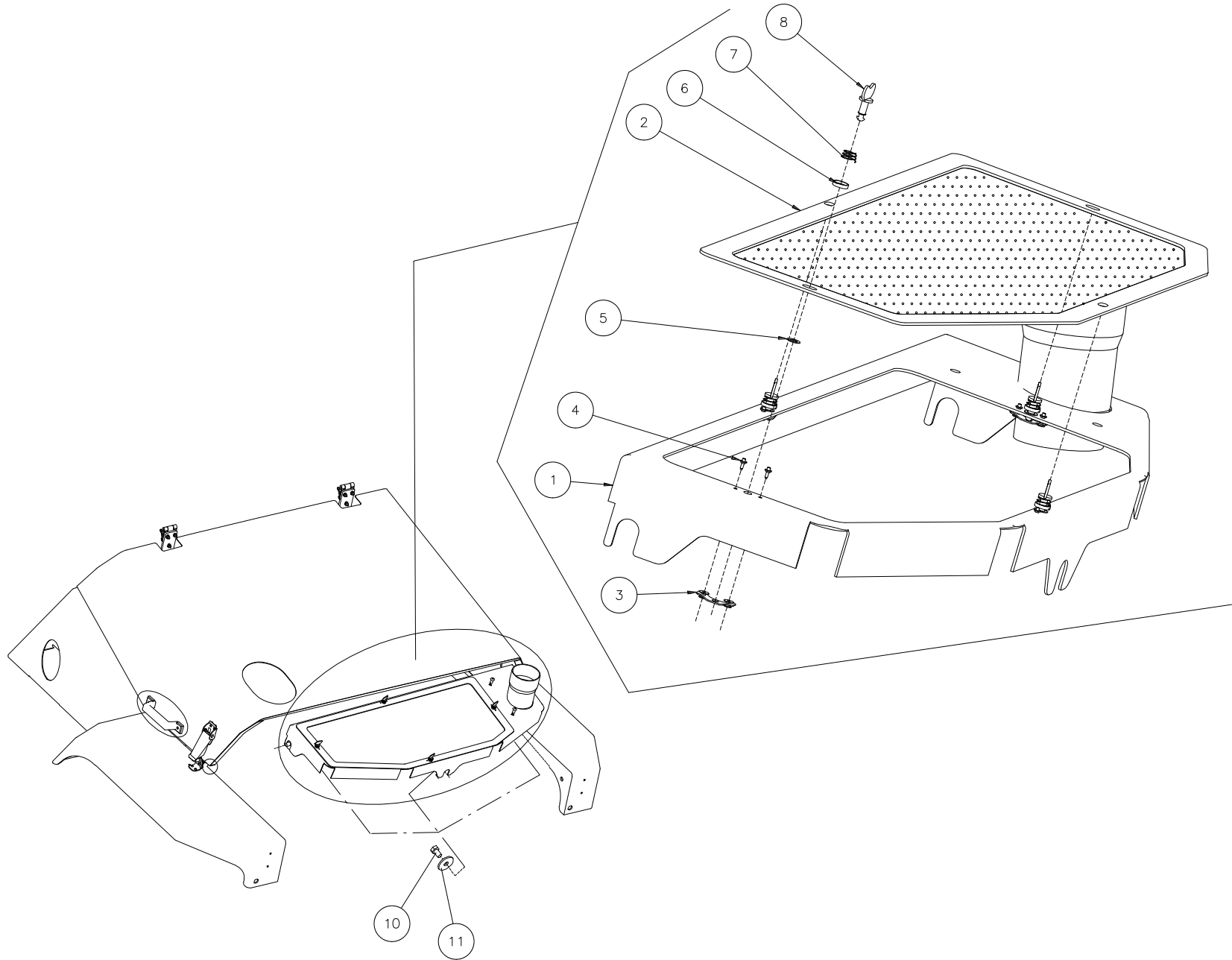


		QTY./MODEL				9 AA											
1/2		KD HAWK, SIDE PANELS, REAR FENDERS AND HOOD LIFT CYLINDERS				1- 30-2 T 2- 30-4 T 3- 30-2 TH 4- 30-4 TH											
ITEM	PART NO.	DESCRIPTION				1	2	3	4	5	6	7	8	9	10	11	12
1	162229	Nut, M6-1 Hex Lock				2	2	2	2								
2	174132	Washer, Lock M-6				12	12	12	12								
3	184036	Screw, M-5 12 12				2	2	2	2								
4	202731	Screw, M8-1.250 Button Head				2	2	2	2								
5	205275	Screw, M6-1 Cap				4	4	4	4								
6	209115	Air Spring				2	2	2	2								
7	223902	Latch With Keys, Locking				2	2	2	2								
8	223903	Spring				2	2	2	2								
9	223904	Hook, Latch				2	2	2	2								
10	224345	Air Baffle Weldment				1	1	1	1								
11	25714	Nut, M6-1 Hex				26	26	26	26								
12	29437	Washer, M10 Flat				20	20	20	20								
13	29441	Screw, M6-1x20 90d FHC				12	12	12	12								
14	3212	Nut, M8-1.25 Hex				4	4	4	4								
15	42232	Washer, M10 Lock				16	16	16	16								
16	42316	Washer, M6 Lock				12	12	12	12								
17	424186	Handle, Grab				2	2	2	2								
18	44026	Washer, M13x45x4 Special				5	5	5	5								
19	53501	Block, Silent				2	2	2	2								
20	54232	Nut, Hex M-5				4	4	4	4								
21	56354	Nut, Hex M10-1.5				12	12	12	12								
22	5804	Bolt, M10-1.5x20 Hex				14	14	14	14								
23	63546	Bolt, M12-1.75x20 PC8.8 Hex				5	5	5	5								
24	79570	Hinge				2	2	2	2								
25	802874	Bracket, Hood Latch				2	2	2	2								
26	803079	Washer, Special				2	2	2	2								
27	803677	Hood Assy.				1	1	1	1								
28	804326	Fender, LH Rear				1	1	1	1								

33.00

		QTY./MODEL				9 AA											
2/2		KD HAWK, SIDE PANELS, REAR FENDERS AND HOOD LIFT CYLINDERS				1- 30-2 T 2- 30-4 T 3- 30-2 TH 4- 30-4 TH											
ITEM	PART NO.	DESCRIPTION				1	2	3	4	5	6	7	8	9	10	11	12
29	804327	Fender, RH Rear				1	1	1	1								
30	Z4053-10	Trim Lock 10" Long				2	2	2	2								
31	Z4054-27	Seal Strip, 27" Long				1	1	1	1								
32	804346	Cover, Hyd. Tank				1	1	1	1								
33	804345	Cover, Fuel Tank				1	1	1	1								
34	813077	Cooler Tray, Bottom				1	1	1	1								
35	807464	Cooler Tray, Top				1	1	1	1								
36	802885	Plate				1	1	1	1								
37	802889	WeatherStrip, 25"				1	1	1	1								
38	802892	WeatherStrip				2	2	2	2								
39	802887	WeatherStrip				1	1	1	1								
40	42347	Bolt, M8-1.25x20 PC8.8 Hex				2	2	2	2								
41	42325	Washer, M8 Lock				2	2	2	2								
42	63547	Bolt, M12-1.75x30 Hex				2	2	2	2								
43	42231	Washer, M12 Lock				2	2	2	2								
44	Z4054-4.5"	WeatherStrip				2	2	2	2								
45	Z4054-30"	WeatherStrip				1	1	1	1								
46	805537	U-Nut, M8, Short				2	2	2	2								
47	Z4053	Trim-Lock				40	40	40	40								
48	168351	Bolt				2	2	2	2								

33.00

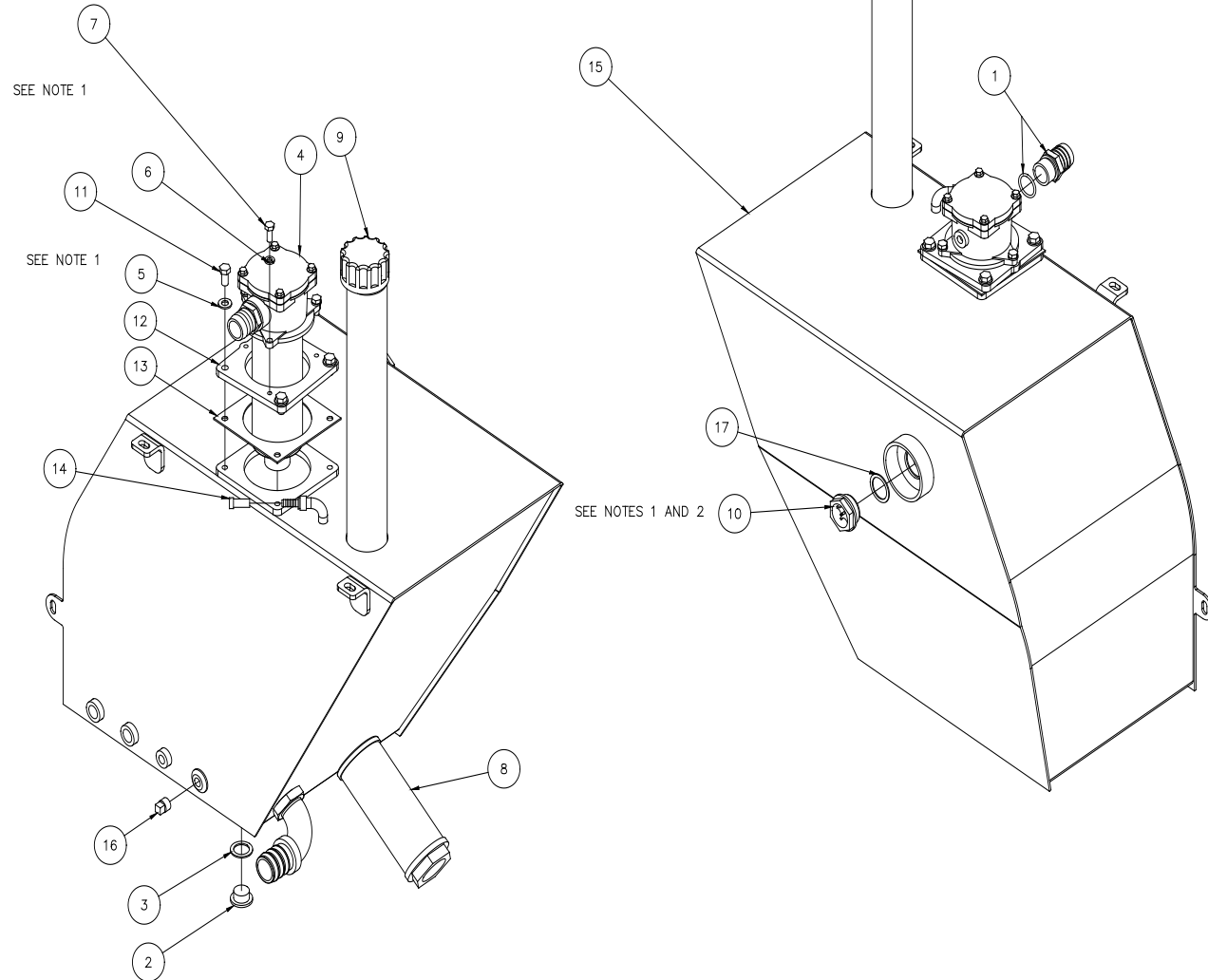


			QTY./MODEL								9 AA			
1/1	KD HAWK, ENGINE COVER AND COUNTER WEIGHTS		1- 30-2 T 2- 30-4 T 3- 30-2 TH 4- 30-4 TH											
ITEM	PART NO.	DESCRIPTION	1	2	3	4	5	6	7	8	9	10	11	12
1	802769	Cover, counterweight	1											
2	802884	Screen	1											
3	802944	Receptacle, large	4											
4	B254--2	Rivet	8											
5	802943	Retainer, push--on	4											
6	802945	Washer, cupped nylon	4											
7	802946	Spring, stud ejector	4											
8	802942	Stud, wing head recess	4											
10	63546	Bolt	3											
11	44026	Washer	3											

34.00

NOTES:

- 1. APPLY LOCTITE 545 THREAD SEALER TO MALE THREAD.
- 2. DISCARD SEAL SUPPLIED WITH LEVEL GAUGE USE ITEM 17



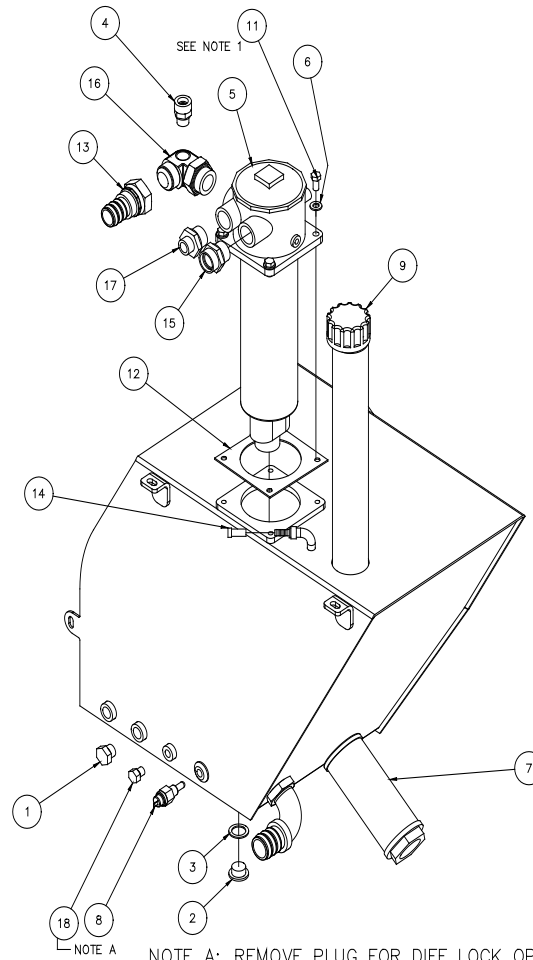
		QTY./MODEL		10 AA											
1/1		KD HAWK, HYDRAULIC TANK ASSY. 4 SPEED TRANSMISSION		1- 30-2 T 2- 30-4 T 3- 30-2 TH 4- 30-4 TH											
ITEM	PART NO.	DESCRIPTION		1	2	3	4	5	6	7	8	9	10	11	12
1	176864	Nipple, M33 O/R x 33		1	1										
2	189535	Plug, Drain		1	1										
3	189536	Seal, Drain Plug		1	1										
4	221172	Filter Assy. Complete		1	1										
5	29437	Washer, RL M10		4	4										
6	42325	Washer, M8 Plated Lock		3	3										
7	42347	Bolt, M8 x20 Hex		3	3										
8	424764	Element, Suction		1	1										
9	425501	Cap,		1	1										
10	488236	Indicator Level Gauge		1	1										
11	63727	Bolt, M10-1.5x20 Plated Hex		4	4										
12	802263	Plate Filter Adapter		1	1										
13	802354	Gasket, Filter Adapter		1	1										
14	803039	Cap		1	1										
15	807431	Tank Weldment Hydraulic T3		1	1										
16	B114A3	Plug, 3/8 NPT Pipe		1	1										
17	K-B326	Ring, Back up		1	1										
18	803726	Tab, Mounting		1	1										
19	807431	KIT Fitting Kit for Tank		1	1										

35.00

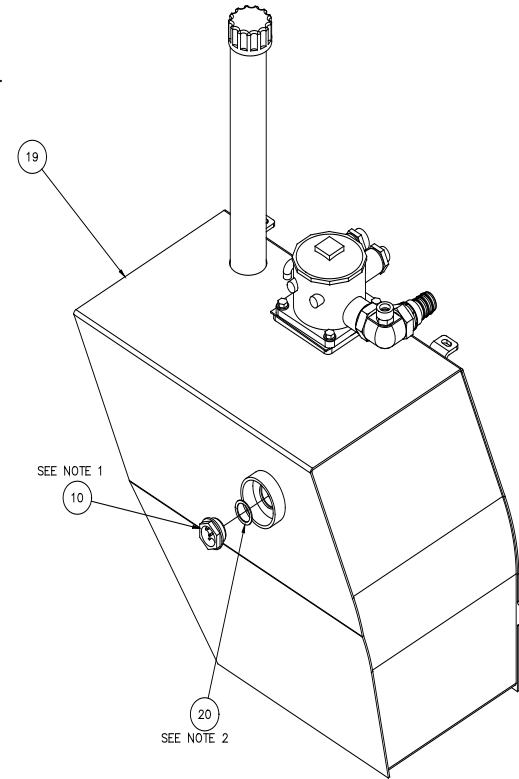
K-D HAWK HYDRAULIC TANK ASSY.
HYDROSTATIC TRANSMISSION

NOTES:

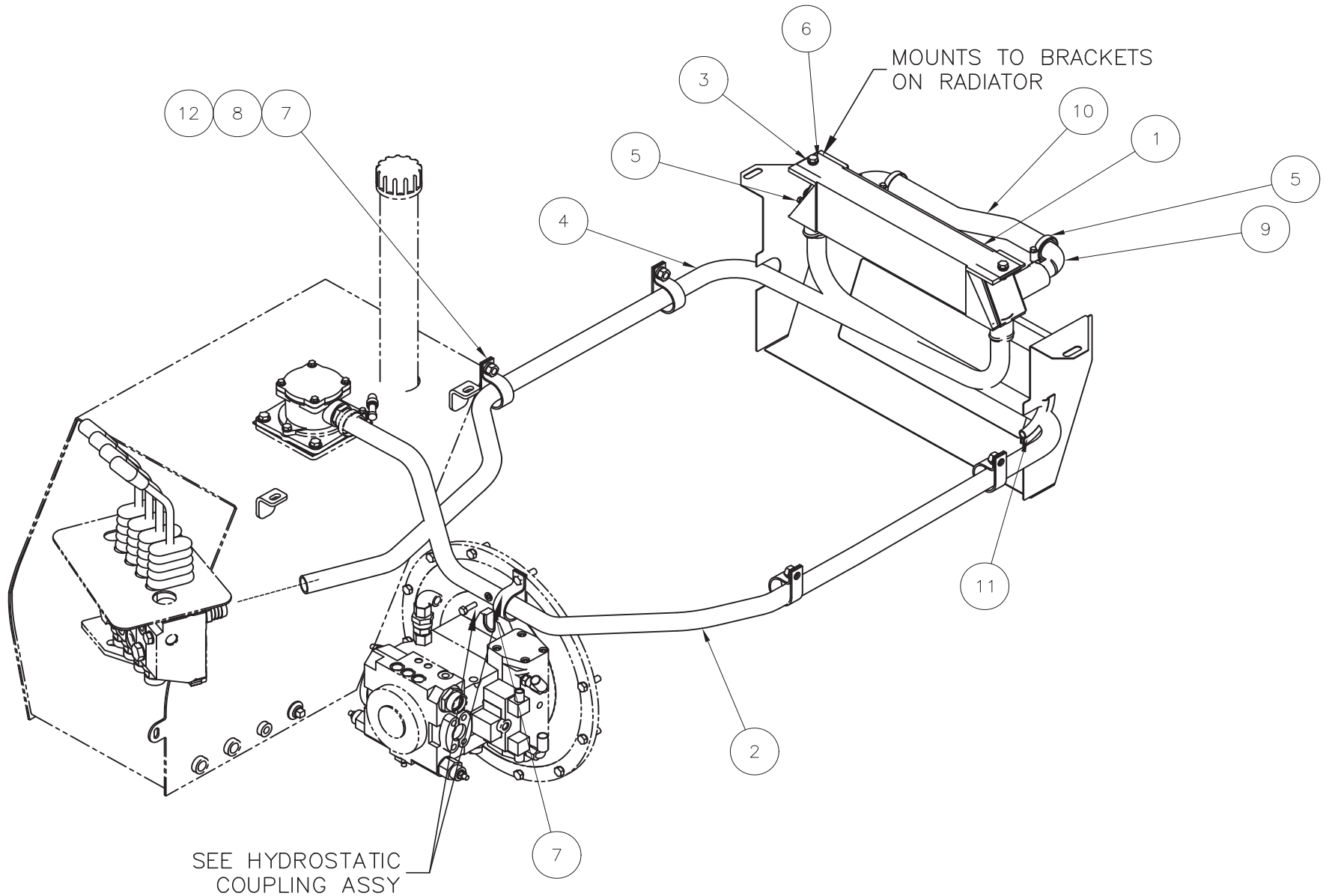
- 1. APPLY LOCTITE 545 THREAD SEALER TO MALE THREAD.
- 2. DISCARD SEAL SUPPLIED USE ITEM 20



NOTE A: REMOVE PLUG FOR DIFF LOCK OPTION.

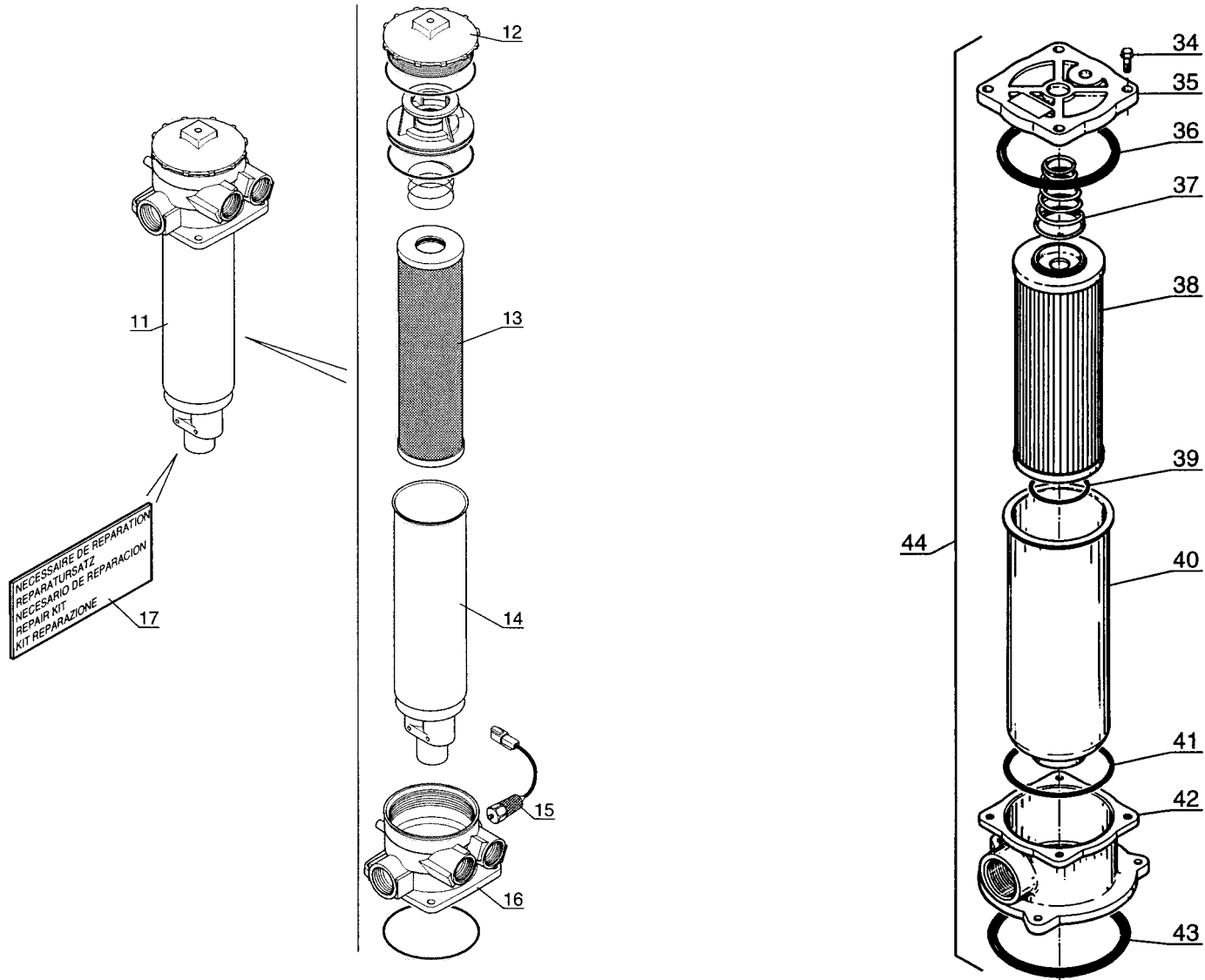


		QTY./MODEL				10 AA							
1/1		KD HAWK, HYDRAULIC TANK ASSY. HYDROSTATIC TRANSMISSION				1- 30-2 T 2- 30-4 T 3- 30-2 TH 4- 30-4 TH							
ITEM	PART NO.	DESCRIPTION											
		1	2	3	4	5	6	7	8	9	10	11	12
1	175743	Plug,											
2	189535	Plug, Drain											
3	189536	Seal											
4	213400	Fitting											
5	234292	Filter, HYDAC											
6	29437	Washer, RL M10											
7	424764	Element, Suction											
8	425497	Switch											
9	425501	Cap											
10	488236	Indicator											
11	63727	Bolt, M10-1.5X20 Plated Hex											
12	802354	Gasket, Filter Adapter											
13	802451	Fitting, FE20JIC/MA20HOSE											
14	803039	Cap											
15	803269	Connector, 16F42RDMLO-S											
16	803733	Elbow, Tapped											
17	803735	Connector											
18	803966	Plug, 1/4 BSPP											
19	807431	Tank Weldment, Hydraulic T3											
20	KB-326	Ring, Back up											
21	807431KIT	Fittings for Tank											
												36.00	

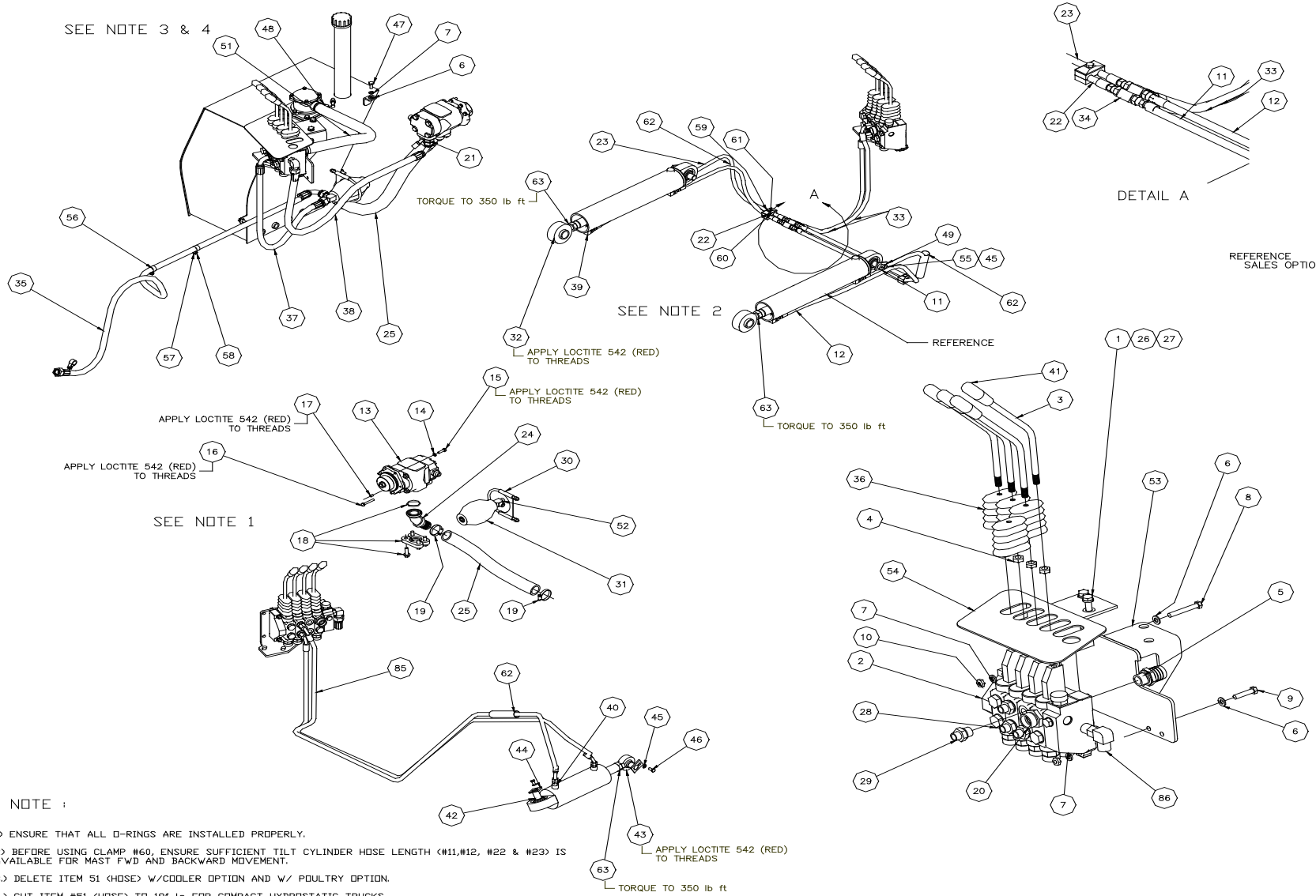


		QTY./MODEL				10 AA								
1/1		KD HAWK, OIL COOLER, HYDROSTATIC				1- 30-2 T 2- 30-4 T 3- 30-2 TH 4- 30-4 TH								
ITEM	PART NO.	DESCRIPTION	1	2	3	4	5	6	7	8	9	10	11	12
1	812481	Oil Cooler			1	1								
2	813079	Hose, ZL20			1	1								
3	K34807	Washer, 3/8 Lock			6	6								
4	813080	Hose, ZL20			1	1								
5	804776	Clamp, T-Bolt Band			4	4								
6	K20388	Bolt, 3/8-16 X 1"			2	2								
7	B3698-25	Clamp 1.87 Dia			4	4								
8	42231	Washer, M12 Lock			4	4								
9	813009	Elbow			2	2								
10	813025	Hose			1	1								
11	Z4054-5"	Weatherstrip, Rubber			10"	10"								
12	58548	Nut, M12-1.75 Hex			4	4								

37.00



		QTY./MODEL										10 AA		
1/1		KD HAWK, FILTER ASSY. HYDRAULIC TANK										1- 30-2 T 2- 30-4 T 3- 30-2 TH 4- 30-4TH		
ITEM	PART NO.	DESCRIPTION	1	2	3	4	5	6	7	8	9	10	11	12
34	562461	Screw	4											
35	562086	Cover	1											
36	48384	O--ring	1											
37	562088	Spring	1											
38	221174	Filter cartridge	1											
39	562092	O--ring	1											
40	562095	Tube	1											
41	562090	Seal	1											
42	562089	Body, filter return	1											
43	562093	Seal	1											
44	221172	Hydraulic return oil filter, complete, 4--speed	1											
												38.00		



NOTE :

- 1) ENSURE THAT ALL O-RINGS ARE INSTALLED PROPERLY.
- 2) BEFORE USING CLAMP #60, ENSURE SUFFICIENT TILT CYLINDER HOSE LENGTH (#11,#12, #22 & #23) IS AVAILABLE FOR MAST FWD AND BACKWARD MOVEMENT.
- 3.) DELETE ITEM S1 (HOSE) W/COOLER OPTION AND W/ POULTRY OPTION.
- 4.) CUT ITEM #S1 (HOSE) TO 19' LG FOR COMPACT HYDROSTATIC TRUCKS.

			QTY./MODEL				10 EA							
1/3		KD HAWK, HYDRAULIC SYSTEM, PUMP AND CONTROLS	1- 30-2 T 2- 30-4 T 3- 30-2 TH 4- 30-4 TH											
ITEM	PART NO.	DESCRIPTION	1	2	3	4	5	6	7	8	9	10	11	12
1	63547	Bolt, M12-1.75x30 Hex		2	2	2								
2	209131	Valve Assy. 4 Section	2	1	1	1								
3	801851	Control Lever,	1	4	4	4								
4	58548	Nut, M12-1.75 Hex	4	4	4	4								
5	192093	Adapter, 33mm Hose/MA 27x2	4	1	1	1								
6	29437	Washer, M10 Flat	1	7	7	7								
7	42232	Washer, M10 Lock	7	7	7	7								
8	58538	Bolt, M10-1.5x70 PC8.8	7	2	2	2								
9	58536	Bolt, M10-1.5x45 PC8.8	2	1	1	1								
10	56354	Nut, M10 x 1.25 Hex	1	3	3	3								
11	807719	Hose Assy. FWD Tilt LH	3	1	1	1								
12	807720	Hose Assy. Back Tilt LH	1	1	1	1								
13	244726	Pump, 41cc/Rev Hydraulic	1	1	1	1								
14	42325	Washer, M8 Plated Lock	1	4	4	4								
15	63754	Bolt, M8-30/30-8.8-ZN5A.CR3	4	4	4	4								
16	61545	Screw, M8-1.25x55 PC8.8 Hex	4	1	1	1								
17	73191	Screw, M8x1.25x10 Set	1	1	1	1								
18	496830	Flange, Kit	1	1	1	1								
19	177274	Clamp Hose	1	1	1	1								
20	803031	Adapter, 12M22F870MLO-S	1	1	1	1								
21	803032	Adapter, 12FA2EDMLO-S	1	1	1	1								
22	807716	Hose Assy. FWD Tilt, RH	1	1	1	1								
23	807717	Hose Assy. Back Tilt, RH	1	1	1	1								
24	496829	Flange	1	1	1	1								
25	802367	Hose, Suction	2	2	2	2								
26	61676	Washer, M12 Plated	2	2	2	2								
27	42232	Washer, M10 Lock	2	2	2	2								
28	17543	Plug	3	3	3	3								

39.00

		QTY./MODEL				10 AE											
2/2		KD HAWK, HYDRAULIC SYSTEM, PUMP AND CONTROLS				1- 30-2 T 2- 30-4 T 3- 30-2 TH 4- 30-4 TH											
ITEM	PART NO.	DESCRIPTION				1	2	3	4	5	6	7	8	9	10	11	12
29	803026	Connector, 8M22F87OMLO-S				4	4	4	4								
30	496861	Clamp, 4-1/2 Accumulator				1	1	1	1								
31	204220	Accumulator, Replaces 5373				1	1	1	1								
32	805642	Rod End				2	2	2	2								
33	807718	Hose Assy. Back & Forward Tilt				2	2	2	2								
34	803030	Union Tee, 6 JLO				2	2	2	2								
35	803028	Hose assy. Lift				1	1	1	1								
36	199728	Boot				4	4	4	4								
37	803027	Hose Assy. Accumulator				1	1	1	1								
38	807683	Hose Assy. Main Supply				1	1	1	1								
39	M0001183	Elbow				9	9	9	9								
40	R18147	Connector Parker				2	2	2	2								
41	202226	Handle				4	4	4	4								
42	803827	Cylinder, Side Shaft Assy.				1	1	1	1								
43	803734	Rod End Assy.				1	1	1	1								
44	B5425	Pin Weldment, Side Shift				2	2	2	2								
45	K34807	Washer, 3/8 Lock				4	4	4	4								
46	K20348	Bolt				2	2	2	2								
47	5804	Bolt, M10-1.5x25 Plated Hex				4	4	4	4								
48	804776	Clamp, Radiator				2	2	2	2								
49	424890	Pin Weldment, Tilt				2	2	2	2								
51	802358	Hose				1	1	1	1								
52	803293	Tee Run, 12M16R87OMLO-S				1	1	1	1								
53	803326	Valve Mount Weld Assy.				1	1	1	1								
54	803328	Valve Cover Weld Assy.				1	1	1	1								
55	K20428	Bolt, 3/8 x 1.25				2	2	2	2								
56	B3698-21	Clamp				3	3	3	3								
57	K44722	Washer 5/16 Flat				3	3	3	3								
58	K55691	Nut, 5/16-18 Pre-torque Lock Hex				3	3	3	3								

39.00

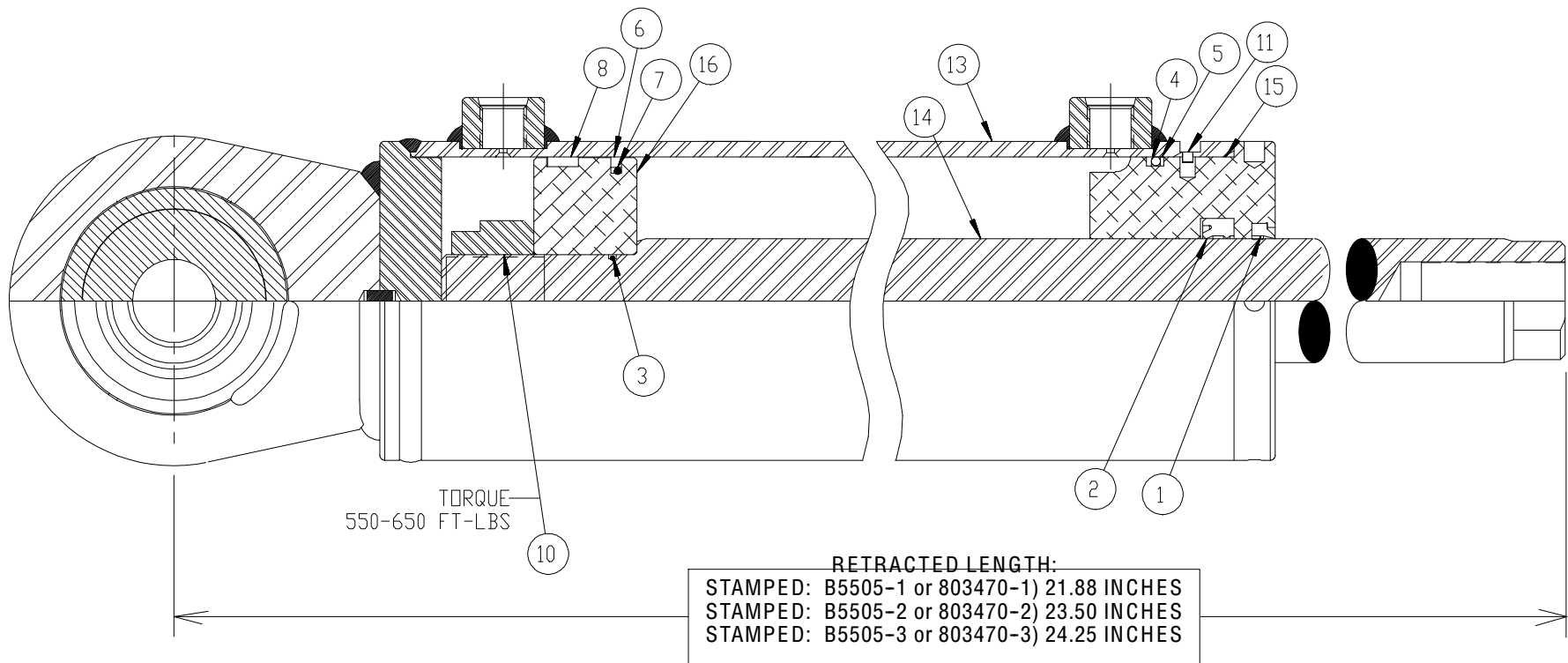
		QTY./MODEL				10 AE											
3/3		KD HAWK, HYDRAULIC SYSTEM, PUMP AND CONTROLS				1- 30-2 T 2- 30-4 T 3- 30-2 TH 4- 30-4 TH											
ITEM	PART NO.	DESCRIPTION				1	2	3	4	5	6	7	8	9	10	11	12
59	168494	Plate				2	2	2	2								
60	168758	Collar				4	4	4	4								
61	61323	Bolt, Hex M8-1.25x35mm				2	2	2	2								
62	Z4525-24	Sleeve, Nylon, 24" Lg				3	3	3	3								
63	K71B1393	Jam Nut				3	3	3	3								
64	197335	Pump, 200cc				1	1	1	1								
65	75976	Hose Clamp				1	1	1	1								

39.00

NOTE:

FOR 1ST AND 2ND MOUNTINGS OF TILT CYLINDERS, FIND STAMPED ON THE BARREL: B5505-1 or 803470-1, B5505-2 or 803470-2, B5505-3 or 803470-3

FOR 1ST, 2ND AND 3RD MOUNTINGS OF SIDE SHIFT CYLINDER, FIND STAMPED ON BARREL: B6140-1 or 803827 or MD35006024S-B V10

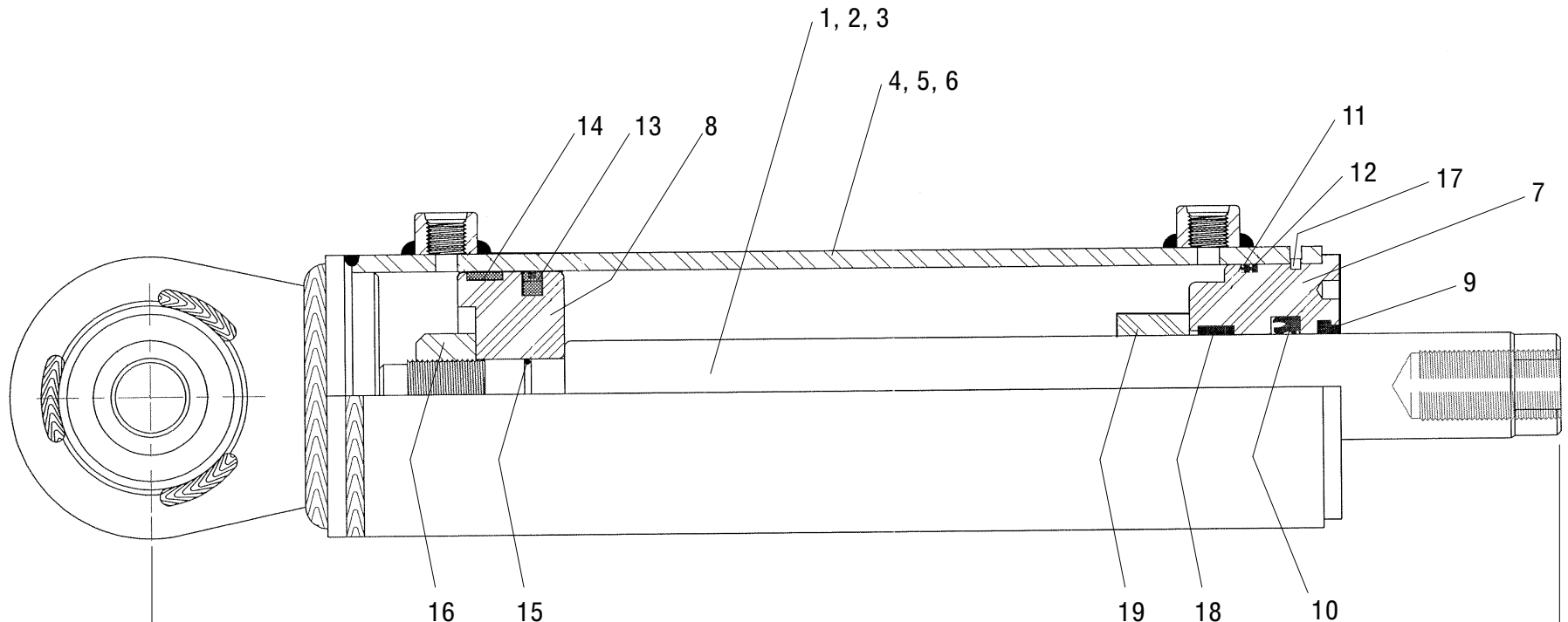


		QTY./MODEL				10 AE											
1/1		KD HAWK, MAST TILT CYLINDER ASSY. 1st & 2nd MOUNTING				1- 30-2 T 2- 30-4 T 3- 30-2 TH 4- 30-4 TH											
ITEM	PART NO.	DESCRIPTION				1	2	3	4	5	6	7	8	9	10	11	12
	Obsolete	Tilt Cyl. Asy, 20° /15° Tilt (Stamped B5505--1 or 803470--1)				2	2	2	2								
	Obsolete	Tilt Cyl. Asy, 20° /10° Tilt (Stamped B5505--2 or 803470--2)				2	2	2	2								
	Obsolete	Tilt Cyl. Asy, 45° /10° Tilt (Stamped B5505--3 or 803470--3)				2	2	2	2								
	803827	Side Shift Cylinder Assembly (Stamped B6140--1)				1	1	1	1								
1*	803818	Wiper				1	1	1	1								
2*	803817	Seal, rod				1	1	1	1								
3*	803820	O--Ring				1	1	1	1								
4*	803821	O--Ring				1	1	1	1								
5*	803822	Back--up Ring				1	1	1	1								
6*	803823	Cap seal				1	1	1	1								
7*	803824	O--Ring				1	1	1	1								
8	803825	Wear ring				1	1	1	1								
9	803470KIT	Seal Kit (for all Cylinders noted, not all parts will be used)				1	1	1	1								
10	803841	Locknut				1	1	1	1								
11	803840	Retaining ring				1	1	1	1								
13	803859	Barrel, Tilt Cylinder, 20° /15°Tilt				1	1	1	1								
13	803857	Barrel, Tilt Cylinder, 20° /10°Tilt				1	1	1	1								
13	803861	Barrel, Tilt Cylinder, 45° /10°Tilt				1	1	1	1								
13	803845	Barrel, Side Shift 1				1	1	1	1								
14	803860	Rod, Tilt Cylinder, 20° /15°Tilt				1	1	1	1								
14	803858	Rod, Tilt Cylinder, 20° /10°Tilt				1	1	1	1								
14	803862	Rod, Tilt Cylinder, 45° /10°Tilt				1	1	1	1								
14	803844	Rod, Side Shift Cylinder				1	1	1	1								
15	803856	Head, tilt cylinder 1				1	1	1	1								
15	803843	Head, side shift cylinder				1	1	1	1								
16	803855	Piston, tilt cylinder				1	1	1	1								
16	803842	Piston, side shift cylinder				1	1	1	1								

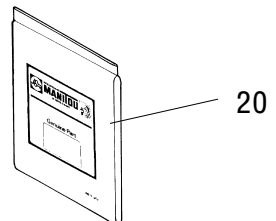
* Included in Seal Kit (Item 9).

40.00

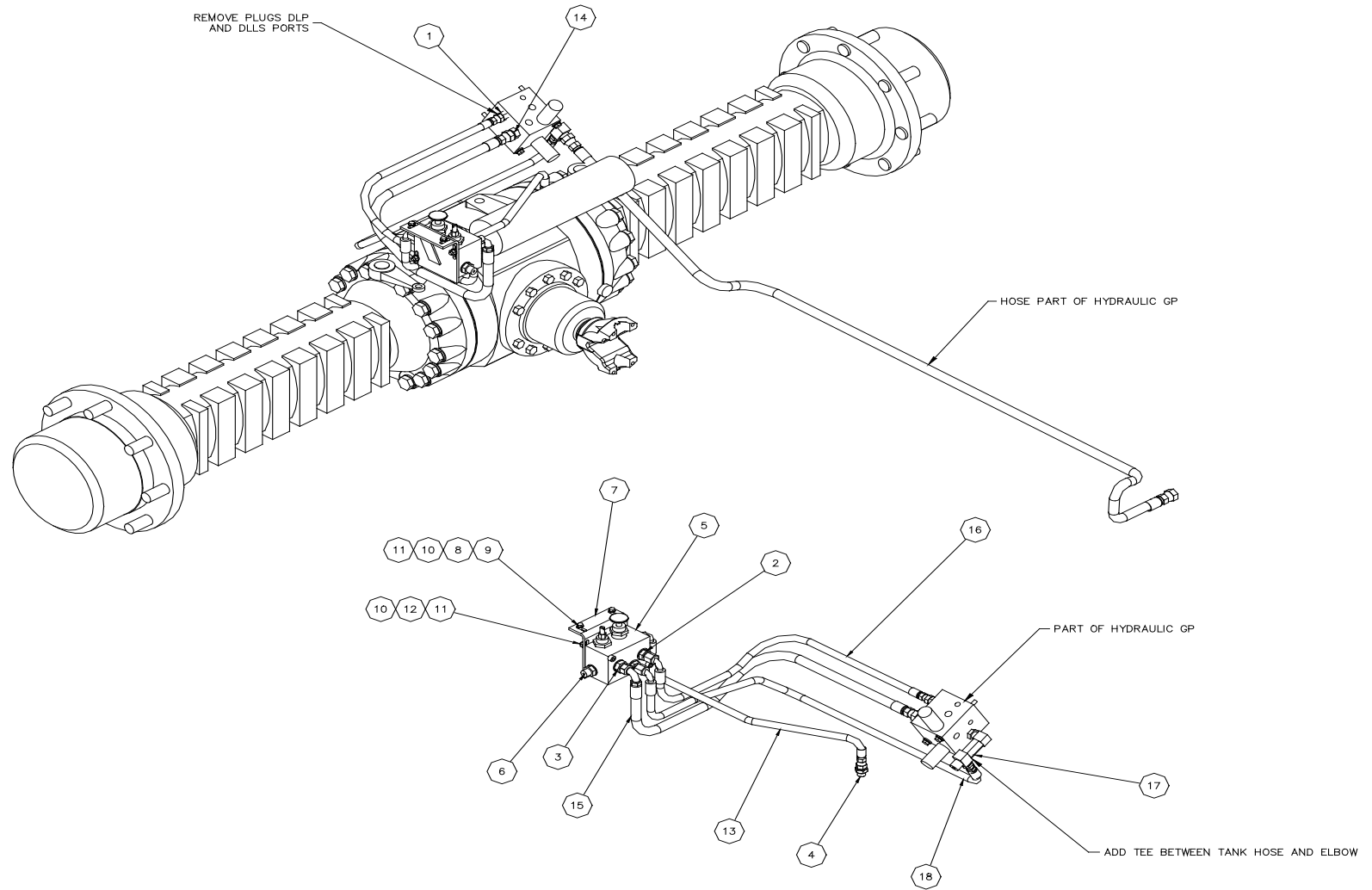
**NOTE:
FOR 3RD MOUNTING OF TILT CYLINDER,
FIND STAMPED ON THE BARREL: "AM&H"**



RETRACTED LENGTH:
Item 21) 803470-1) 21.88 INCHES
Item 22) 803470-2) 23.50 INCHES
Item 23) 803470-3) 24.25 INCHES



		QTY./MODEL				10 AE											
1/1		KD HAWK, MAST, TILT CYLINDER ASSY. 3rd MOUNTING				1- 30-2 T 2- 30-4 T 3- 30-2 TH 4- 30-4 TH											
ITEM	PART NO.	DESCRIPTION				1	2	3	4	5	6	7	8	9	10	11	12
1	806883	Rod, Tilt Cylinder, 20° /15°Tilt				1	1	1	1								
2	806885	Rod, Tilt Cylinder, 20° /10°Tilt				1	1	1	1								
3	807151	Rod, Tilt Cylinder, 45° /10°Tilt				1	1	1	1								
4	806884	Barrel, Tilt Cylinder, 20° /15°Tilt				1	1	1	1								
5	807150	Barrel, Tilt Cylinder, 20° /10°Tilt				1	1	1	1								
6	806886	Barrel, Tilt Cylinder, 45° /10°Tilt				1	1	1	1								
7	806887	Gland				1	1	1	1								
8	806888	Piston				1	1	1	1								
9*	806889	Wiper, rod				1	1	1	1								
10*	806890	Seal, rod				1	1	1	1								
11*	806891	O--Ring				1	1	1	1								
12*	806892	Back--up Ring				1	1	1	1								
13*	806893	Seal, piston				1	1	1	1								
14	806894	Wear ring				1	1	1	1								
15*	806895	O--Ring				1	1	1	1								
16	806896	Locknut				1	1	1	1								
17	806897	Lockwire				1	1	1	1								
18	806898	Wear ring				1	1	1	1								
19	B5521--6	Spacer (for Tilt Cylinder 803470--3)				1	1	1	1								
20	803470KIT	Seal Kit (for all Cylinders noted, not all parts will be used)				1	1	1	1								
21**	803470--1	Tilt Cylinder Assembly, 20° /15° Tilt (Stamped AM&H)				2	2	2	2								
22**	803470--2	Tilt Cylinder Assembly, 20° /10° Tilt (Stamped AM&H)				2	2	2	2								
23**	803470--3	Tilt Cylinder Assembly, 45° /10° Tilt (Stamped AM&H)				2	2	2	2								
		* Items included in Seal Kit (Item 20).															
		** Measure RETRACTED LENGTH to determine Cylinder Assembly Part Number.															

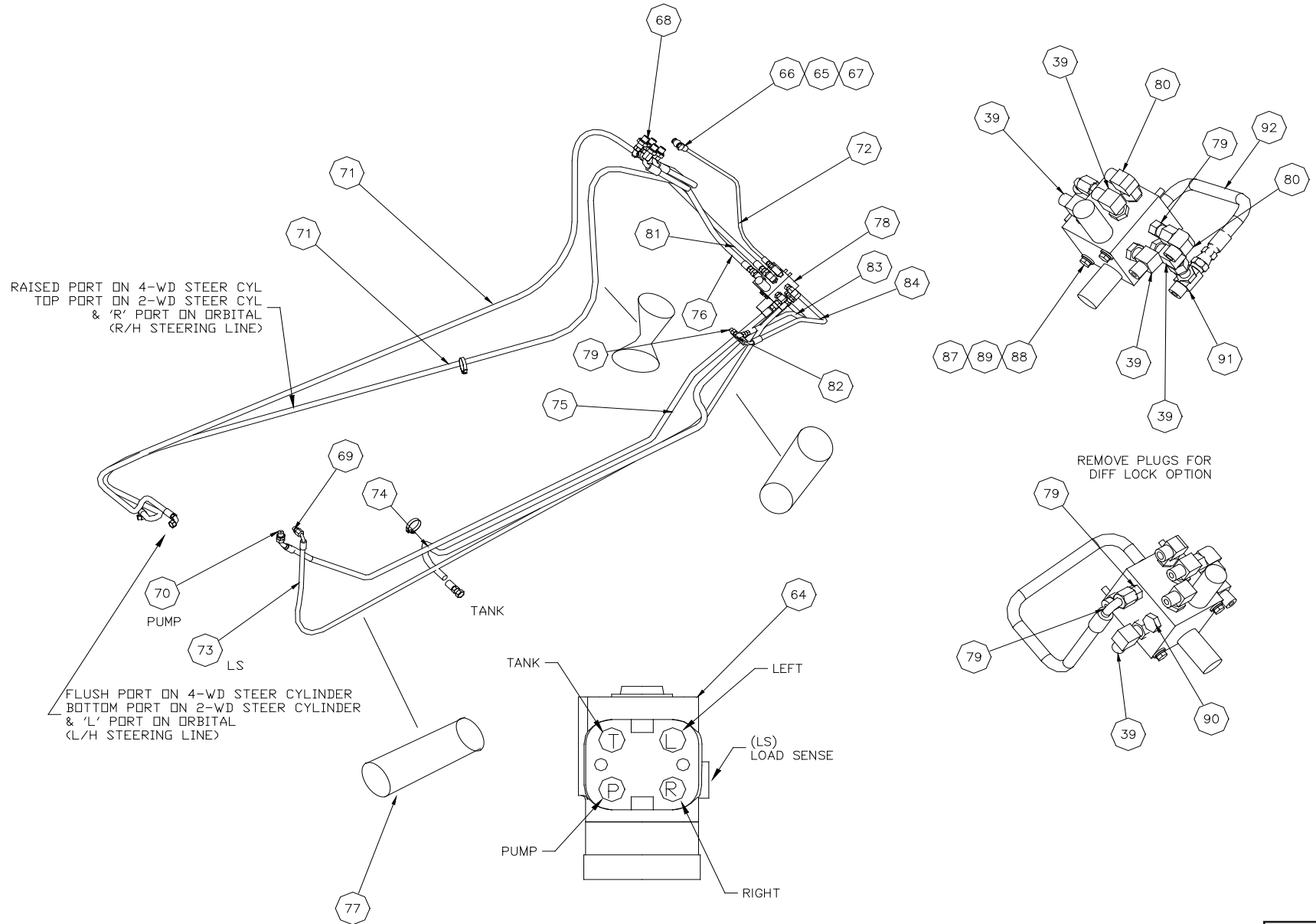


NOTES

1. POSITION VALVE IN CENTER OF HOLES WITH OPERATOR APPROX. 1/4" - 3/8" ABOVE FLOOR.
2. PLACE DECAL ON FLOOR, CENTERED AND IN FRONT OF VALVE.

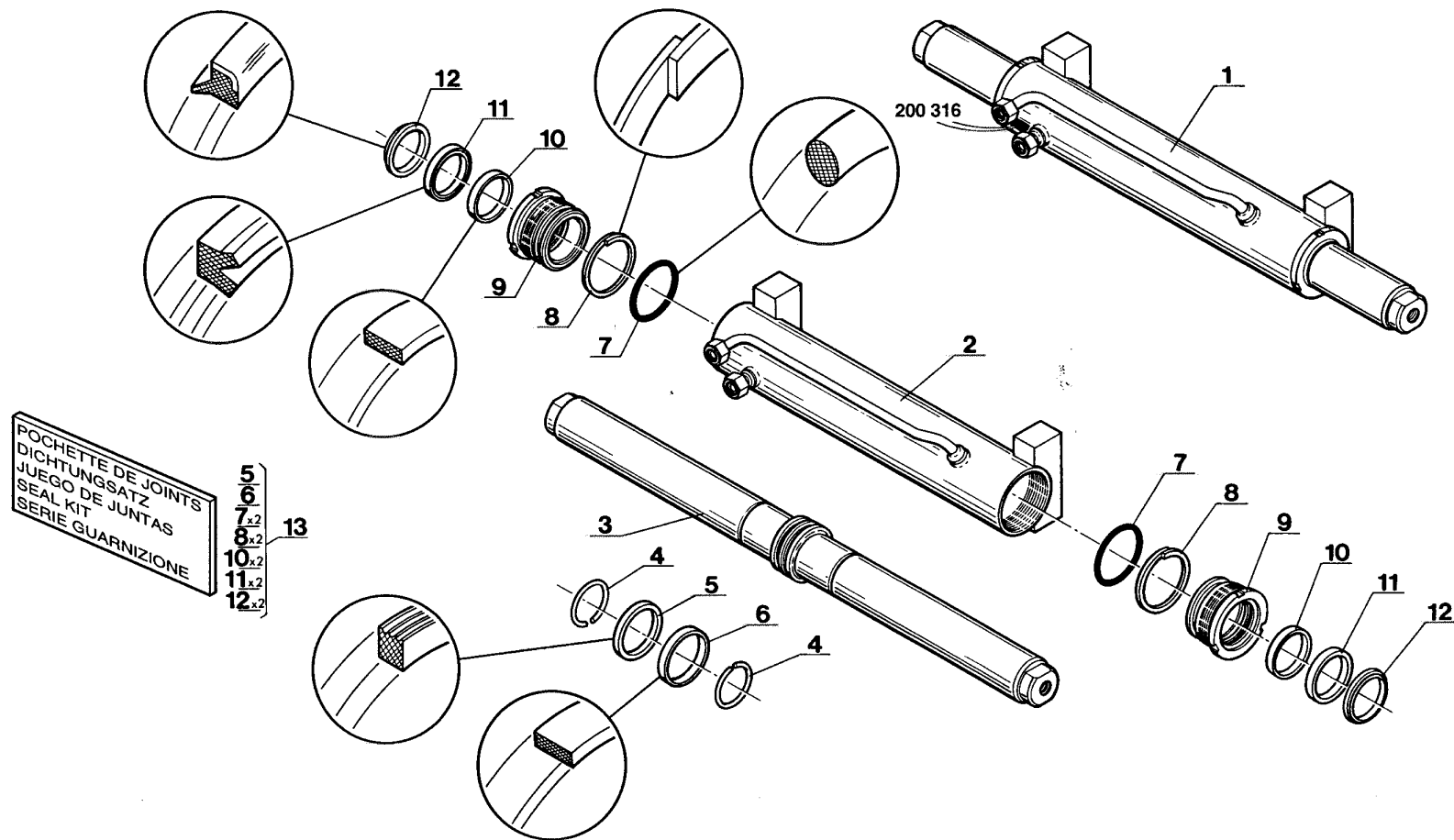
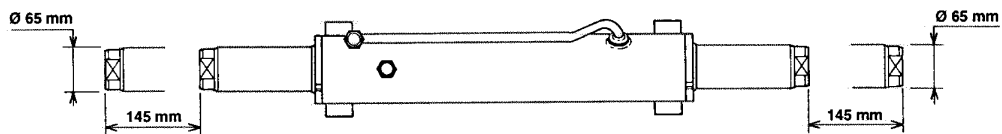
		QTY./MODEL				10 AF											
1/1		KD HAWK, HYDRAULIC DIFFERENTIAL LOCKING ASSY.				1- 30-2 T 2- 30-4 T 3- 30-2 TH 4- 30-4 TH											
ITEM	PART NO.	DESCRIPTION				1	2	3	4	5	6	7	8	9	10	11	12
1	806372	Connector, 4 STOR				1	1	1	1								
2	803196	Connector, 4-6F42EDMLO-S				3	3	3	3								
3	803177	Connector, 6-6F42EDMLO-S				1	1	1	1								
4	803182	Connector, 4M14F87OMLO-S				1	1	1	1								
5	240077	Valve				1	1	1	1								
6	72339	Pressure Test Fitting				1	1	1	1								
7	802983	Breckel Weld, Differential Lock Valve				1	1	1	1								
8	174132	Washer, M6 Lock				2	2	2	2								
9	25713	Bolt, M6 x 16 Plated				2	2	2	2								
10	42316	Washer, M6 Lock				4	4	4	4								
11	25714	Nut, M6				4	4	4	4								
12	178696	Screw				2	2	2	2								
13	803020	Hose Assy. BD to Axle				1	1	1	1								
14	R18147-3	Connector, Parker				1	1	1	1								
15	807701	Hose Assy. DLP to P				1	1	1	1								
16	807712	Hose Assy. DLLS to LS				1	1	1	1								
17	800554	Tee Swivel Nut Run				1	1	1	1								
18	807707	Hose Assy. T to Tank				1	1	1	1								
19	B4712	Decal, Differential Lock				1	1	1	1								

41.00



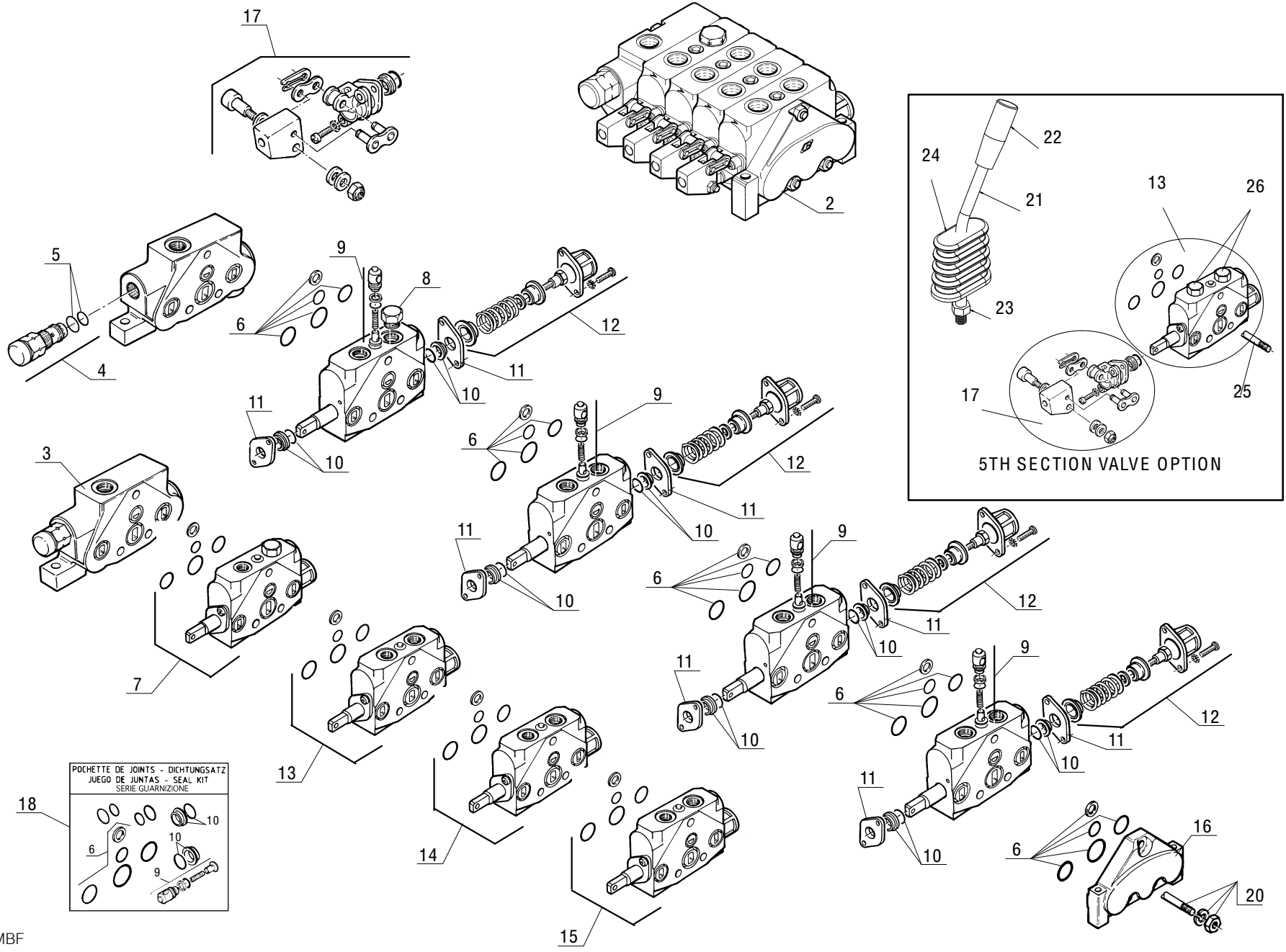
		QTY./MODEL				10 BA											
1/1		KD HAWK, STEERING, HYDRAULICS				1- 30-2 T 2- 30-4 T 3- 30-2 TH 4- 30-4 TH											
ITEM	PART NO.	DESCRIPTION				1	2	3	4	5	6	7	8	9	10	11	12
65	207785	Spacer				1	1	1	1								
66	207784	Hollow Screw				1	1	1	1								
67	479275	Copper Seal				3	3	3	3								
68	803188	Connector, 6-8F42EDMLO-S				4	4	4	4								
69	803184	Connector, 4-4F42EDMLO-S				1	1	1	1								
70	803177	Connector, 6-6F42EDMLO-S				1	1	1	1								
71	803187	Hose Assy, L/R Orbit to Cylinder				2	2	2	2								
72	803194	Hose Assy, 'LS' Orbital - Tee				1	1	1	1								
73	807722	Hose Assy,				1	1	1	1								
74	807710	Hose Assy. Tank to Block T				1	1	1	1								
75	807703	Hose Assy. Pump to Block P				1	1	1	1								
76	807700	Hose Assy. Orbital T to Block				1	1	1	1								
77	Z4525	Sleeve, Hose Protection 1-3/4				380	380	380	380								
78	807730	Block Manifold				1	1	1	1								
79	806372	Connector, - 4 Store				5	5	5	5								
80	803199	Elbow, Swivel Nut, 4 C6LO-S				2	2	2	2								
81	807699	Hose Assy. Orbital P to Block P				1	1	1	1								
82	803198	Union Tee, R6LO-S				1	1	1	1								
83	807705	Hose Assy. P Brake to Block P				1	1	1	1								
84	807706	Hose Assy. P Brake to Block LS				1	1	1	1								
85	803025	Hose Assy. SS				2	2	2	2								
86	807677	Connector				1	1	1	1								
87	K34805	Washer, 1/4 Lock				2	2	2	2								
88	807773	Bolt, 1/4 x 4				2	2	2	2								
89	K44719	Washer				2	2	2	2								
90	K64-8	Plug				1	1	1	1								
91	R19831-2	Tee, Parker				1	1	1	1								
92	807682	Hose Assy.				1	1	1	1								

42.00



			QTY./MODEL				10 CE							
1/1		KD HAWK, STEERING CYLINDER, 2 WD	1- 30-2 T 2- 30-4 T 3- 30-2 TH 4- 30-4 TH											
ITEM	PART NO.	DESCRIPTION	1	2	3	4	5	6	7	8	9	10	11	12
1	200316	Steering cylinder, complete 2WD	1		1									
2	561637	Cylinder body	1		1									
3	561623	Cylinder rod	1		1									
4	197670	Snap ring	2		2									
5	561624	Seal	1		1									
6	561625	Seal	1		1									
7	5239	O--ring	2		2									
8	187898	Seal, anti--extrusion	2		2									
9	561622	Fastening ring	2		2									
10	561621	Guide ring	2		2									
11	561620	Seal	2		2									
12	197709	Seal	2		2									
13	551774	Seal kit	1		1									

43.00

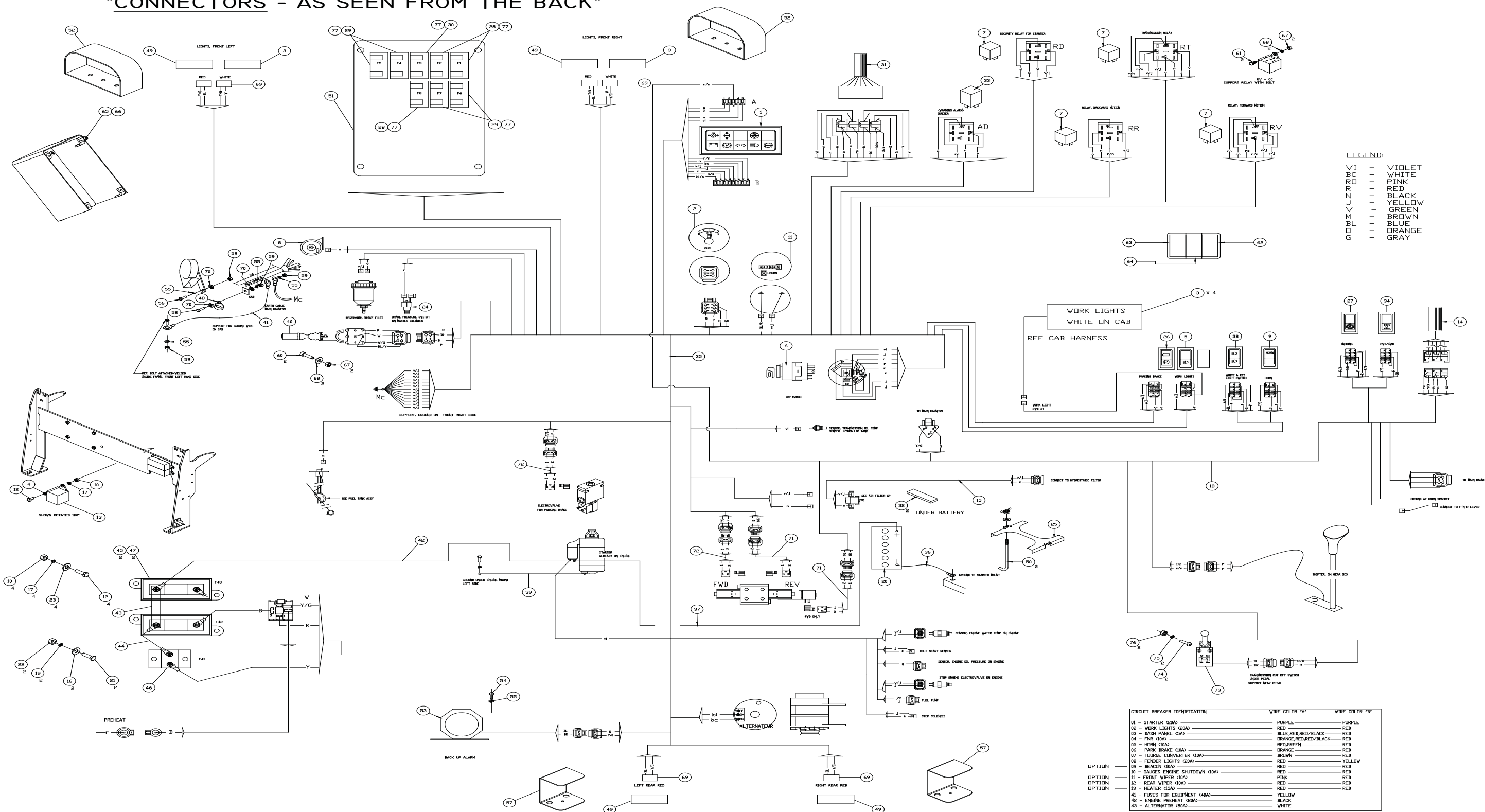


		QTY./MODEL										10 DA		
1/1		KD HAWK, HYDRAULIC VALVE BANK ASSY.										1- 30-2 T 2- 30-4 T 3- 30-2 TH 4- 30-4 TH		
ITEM	PART NO.	DESCRIPTION	1	2	3	4	5	6	7	8	9	10	11	12
2	209131	Valve bank assembly	1											
3	551239	Inlet member	1											
4	548112	Relief valve	1											
5	476318	O--ring	A/R											
6	476321	Seal	A/R											
7	561340	Single acting member	1											
8	476341	Plug	1											
9	476322	Valve	A/R											
10	476324	Seal	A/R											
11	476325	Plate	A/R											
12	548894	Spring return drive	A/R											
13	476850	Double acting member	1											
14	476850	Double acting member	1											
15	476850	Double acting member	1											
16	549774	Fastening member	1											
17	549672	Single drive	A/R											
18	192871	Seal kit	A/R											
20	600726	Tie rod	1											
21	801851	Lever, valve	1											
22	202226	Handle, valve	1											
23	58548	Nut	1											
24	199728	Boot, single lever	1											
25	600753	Tie rod	3											
26	175743	Plug	2											

44.00

"CONNECTORS - AS SEEN FROM THE BACK"

APPLY DI-ELECTRIC GREASE TO ALL ELECTRICAL CONNECTIONS



- LEGEND:
- VI - VIOLET
 - BC - WHITE
 - RO - PINK
 - R - RED
 - N - BLACK
 - J - YELLOW
 - V - GREEN
 - M - BROWN
 - BL - BLUE
 - D - ORANGE
 - G - GRAY

CIRCUIT BREAKER IDENTIFICATION		WIRE COLOR 'A'	WIRE COLOR 'B'
01 - STARTER (GOA)	PURPLE	PURPLE	PURPLE
02 - WORK LIGHTS (GOA)	RED	RED	RED
03 - DASH PANEL (SA)	BLUE, RED, RED/BLACK	RED	RED
04 - FMR (GOA)	ORANGE, RED, RED/BLACK	RED	RED
05 - HORN (GOA)	RED, GREEN	RED	RED
06 - PARK BRAKE (GOA)	ORANGE	RED	RED
07 - TORQUE CONVERTER (GOA)	BROWN	RED	RED
08 - FENDER LIGHTS (GOA)	RED	YELLOW	YELLOW
OPTION - 09 - BEACON (GOA)	RED	RED	RED
OPTION - 10 - GEAR'S ENGINE SHUTDOWN (GOA)	RED	RED	RED
OPTION - 11 - FRONT WIPER (GOA)	PINK	RED	RED
OPTION - 12 - REAR WIPER (GOA)	RED	RED	RED
OPTION - 13 - HEATER (GOA)	RED	RED	RED
41 - FUSES FOR EQUIPMENT (GOA)	YELLOW	YELLOW	YELLOW
42 - ENGINE PREHEAT (GOA)	BLACK	BLACK	BLACK
43 - ALTERNATOR (GOA)	WHITE	WHITE	WHITE

		QTY./MODEL										11 AA		
1/3		KD HAWK, ELECTRICAL ASSY. 4 SPEED										1- 30-2 T 2- 30-4 T 3- 30-2 TH 4- 30-4 TH		
ITEM	PART NO.	DESCRIPTION	1	2	3	4	5	6	7	8	9	10	11	12
1	686343	Panel, Warning Lights	1	1										
2	807664	Fuel Gauge	1	1										
3	807514	White Work Light	6	6										
4	174132	Washer, RL-JZC	1	1										
5	807667	Switch Lights	1	1										
6	184817	Ignition Switch	1	1										
7	807121	Realy, 12V 20/40A 4Pin	4	4										
8	20125	Horn	1	1										
9	805877	Horn, Switch	1	1										
10	25714	Nut, M6	5	5										
11	807665	Hour Meter	1	1										
12	46668	Bolt, M6 x 20	5	5										
13	243482	Relay, OMRON G8JR1A5TR12DC	1	1										
14	223246	Relay, W/3.5 Sec. Delay	1	1										
15	802936	Harness Assy.	1	1										
16	28959	Washer, M5 Plated Flat	8	8										
17	42316	Washer, M6 Lock	5	5										
18	807670	Harness, TC	1	1										
19	192310	RL JZC55.1 x 14.1 CAD Bich	2	2										
20	496682	Battery, 12V	1	1										
21	61974	Screw	2	2										
22	54232	Nut, M5 ECROU H	8	8										
23	29469	Washer, M6 Flat	5	5										
24	79126	Pressure Switch Contact - 22114	1	1										
25	202703	Battery, Flange	1	1										
26	806132	Switch Parking Brake	1	1										
27	805947	Switch Inching	1	1										
28	805887	Circuit Breaker 20 A	3	3										

45.00

		QTY./MODEL										11 AA		
2/3		KD HAWK, ELECTRICAL ASSY. 4 SPEED										1- 30-2 T 2- 30-4 T 3- 30-2 TH 4- 30-4 TH		
ITEM	PART NO.	DESCRIPTION	1	2	3	4	5	6	7	8	9	10	11	12
26	806132	Switch Parking Brake	1	1										
27	805947	Switch Inching	1	1										
28	805887	Circuit Breaker 20 A	3	3										
29	805888	Circuit Breaker 10 A	4	4										
30	805889	Circuit Breaker 5 A	1	1										
31	210942	Test Module	1	1										
32	41077	Strip, Rubber 30 X 6 L 190	2	2										
33	176737	Buzzer, 12V	1	1										
34	805946	Switch, 4 WD	1	1										
35	807929	Hawk T3, Maine Wire Harness	1	1										
36	720991	Cable, Battery Negative (66" Length)	1	1										
37	802937	Cable, Battery Positive to Starter	1	1										
38	805876	Light Switch	1	1										
39	802977	Ground Cable	1	1										
40	807666	Shifter, F-n-R	1	1										
41	215875	Wiring Harness, Ground Cable	1	1										
42	232402	Cable Assy. 50mm L250	1	1										
43	804930	Buzz Bar	1	1										
44	804661	Wire Assy.	1	1										
45	804832	Fuse 80 Amp.	2	2										
46	804641	Breaker 40 Amp	1	1										
47	804831	Fuse Holder	2	2										
48	86506	Clamp	1	1										
49	807515	Red Work light	4	4										
50	496687	Bolt Battery	2	2										
52	496680	Guard Light	2	2										
53	805907	Alarm, Backup	1	1										

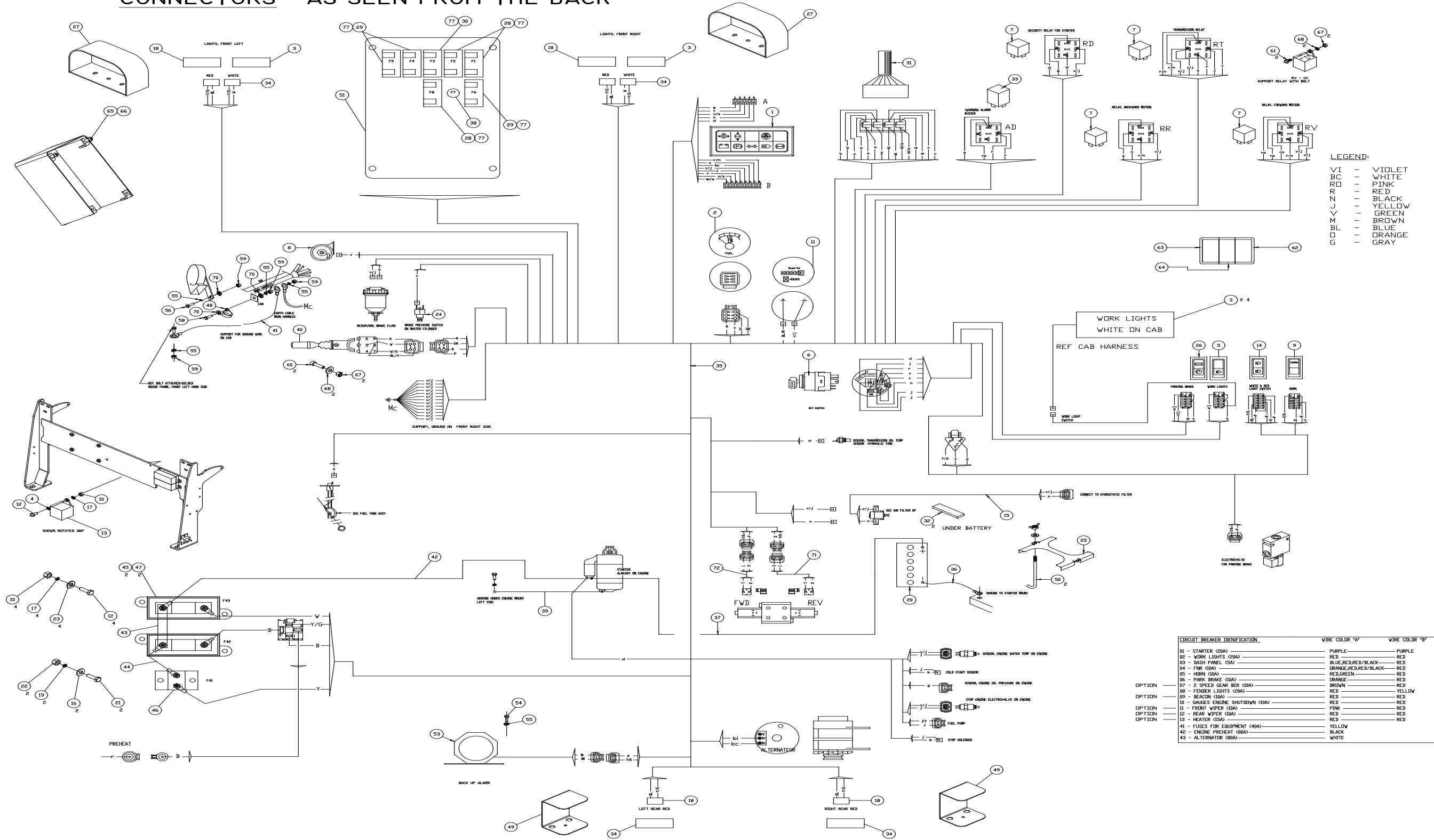
45.00

		QTY./MODEL		11 AA											
3/3		KD HAWK, ELECTRICAL ASSY. 4 SPEED		1- 30-2 T 2- 30-4 T 3- 30-2 TH 4- 30-4 TH											
ITEM	PART NO.	DESCRIPTION		1	2	3	4	5	6	7	8	9	10	11	12
54	807746	Bolt, 5/16-18 x 3/4" Long		2	2										
55	42325	Washer, M8 ZN12CPlated Lock		6	6										
56	54951	Bolt, M8-1.25x16 Plated Hex		2	2										
57	805683	Bracket, Rear Light		2	2										
58	168348	Bolt, M8x40/40 Hex Plated		1	1										
59	58528	Nut		5	5										
60	5323	Screw CHC M5-16-8.8-ZN5-C		2	2										
61	79533	Screw		6	6										
62	196905	Plug		4	4										
63	224774	Bracket		6	6										
64	224773	Bracket		3	3										
65	812862	Breaker Box Assy.		1	1										
66	25713	Bolt M6		4	4										
67	K34779	Washer #10 Lock		2	2										
68	805912	Socket, Deutch		4	4										
69	805911	Plug Deutch		8	8										
70	61674	Washer, M8 ZN12C/FE		3	3										
71	805923	Cable Assy.		2	2										
72	805924	Cable Assy.		2	2										
73	919100	Switch Assy.		1	1										
74	802986	Screw, M4 x 25		2	2										
75	78806	Washer, M8		2	2										
76	25758	Nut, M4		2	2										
77	806341	Boot Breaker		8	8										
78	806112	D1- Electric Grease		2.5	2.5										
79	812866	Isolator		2	2										

45.00

APPLY DI-ELECTRIC GREASE TO ALL ELECTRICAL CONNECTIONS

"CONNECTORS - AS SEEN FROM THE BACK"



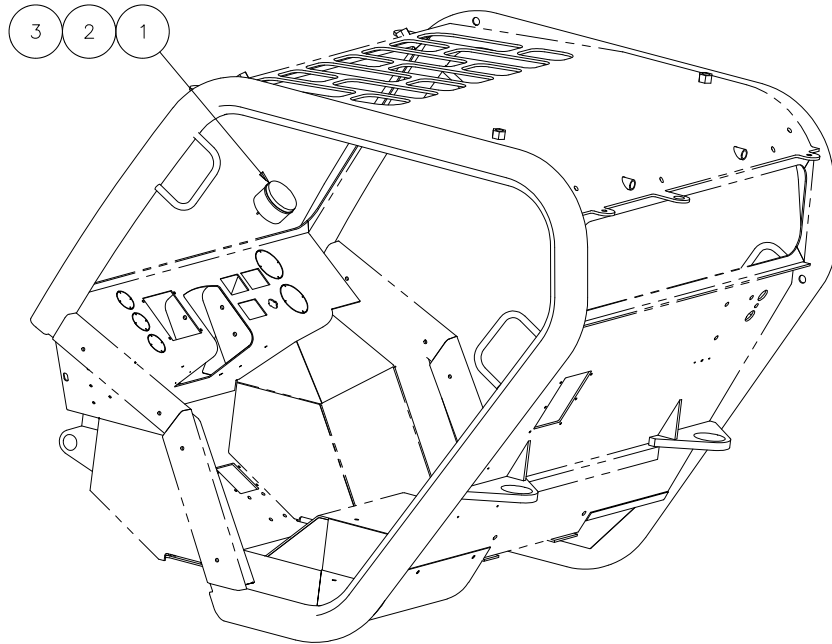
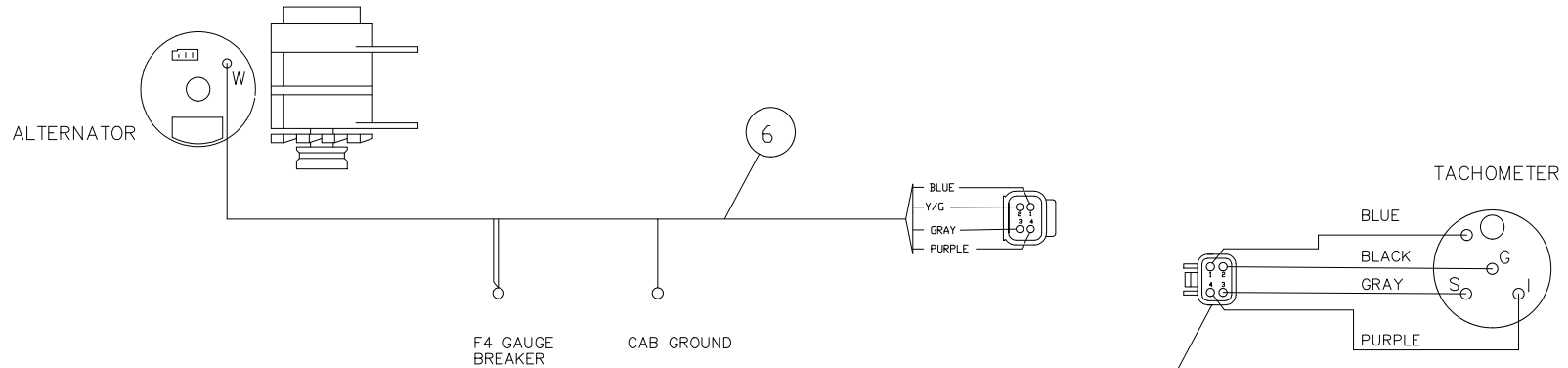
				QTY./MODEL				11 AA							
1/3		KD HAWK, ELECTRICAL ASSY. HYDROSTATIC		1- 30-2 T 2- 30-4 T 3- 30-2 TH 4- 30-4 TH											
ITEM	PART NO.	DESCRIPTION		1	2	3	4	5	6	7	8	9	10	11	12
1	686343	Panel, Warning Lights				1	1								
2	807664	Fuel Gauge				1	1								
3	807514	White Work Light				6	6								
4	174132	Washer, RL-JZC				1	1								
5	807667	Switch Lights				1	1								
6	184817	Ignition Switch				1	1								
7	807121	Realy, 12V 20/40A 4Pin				4	4								
8	20125	Horn				1	1								
9	805877	Horn, Switch				1	1								
10	25714	Nut, M6				5	5								
11	807665	Hour Meter				1	1								
12	46668	Bolt, M6 x 20				5	5								
13	243482	Relay, OMRON G8JR1A5TR12DC				1	1								
14	805876	Light Switch				1	1								
15	802936	Harness Assy.				1	1								
16	28959	Washer, M5 Plated Flat				8	8								
17	42316	Washer, M6 Lock				5	5								
18	807515	Light Red				4	4								
19	192310	RL JZC55.1 x 14.1 CAD Bich				2	2								
20	496682	Battery, 12V				1	1								
21	61974	Screw				2	2								
22	54232	Nut, M5 ECROU H				8	8								
23	29469	Washer, M6 Flat				5	5								
24	79126	Pressure Switch Contact - 22114				1	1								
25	202703	Battery, Flange				1	1								
26	806132	Switch Parking Brake				1	1								
27	496680	Guard Assy. Headlight				2	2								
28	805887	Circuit Breaker 20 A				3	3								

46.00

				QTY./MODEL				11 AA							
2/3		KD HAWK, ELECTRICAL ASSY. HYDROSTATIC		1- 30-2 T 2- 30-4 T 3- 30-2 TH 4- 30-4 TH											
ITEM	PART NO.	DESCRIPTION		1	2	3	4	5	6	7	8	9	10	11	12
29	805888	Circuit Breaker 10 A				4	4								
30	805889	Circuit Breaker 5 A				1	1								
31	210942	Test Module				1	1								
32	41077	Strip, Rubber 30 X 6 L 190				2	2								
33	176737	Buzzer, 12V				1	1								
34	805911	Plug, Deutch				6	6								
35	807929	Hawk T3, Maine Wire Harness				1	1								
36	720991	Cable, Battery Negative (66" Length)				1	1								
37	802937	Cable, Battery Positive to Starter				1	1								
38	807156	Plug				1	1								
39	802977	Ground Cable				1	1								
40	807666	Shifter, F-n-R				1	1								
41	215875	Wiring Harness, Ground Cable				1	1								
42	232402	Cable Assy. 50mm L250				1	1								
43	804930	Buzz Bar				1	1								
44	804661	Wire Assy.				1	1								
45	804832	Fuse 80 Amp.				2	2								
46	804641	Breaker 40 Amp				1	1								
47	804831	Fuse Holder				2	2								
48	86506	Clamp				1	1								
49	805683	Bracket, Rear Light				2	2								
50	496687	Bolt Battery				2	2								
51	812863	Plate Cover				1	1								
53	805907	Alarm, Backup				1	1								
54	807746	Bolt, 5/16-18 x 3/4" Long				2	2								
55	42325	Washer, M8 ZN12CPlated Lock				6	6								
56	54951	Bolt, M8-1.25x16 Plated Hex				2	2								
57	42347	Bolt, M8 x 20 Hex				1	1								
58	168348	Bolt, M8x40/40 Hex Plated				1	1								

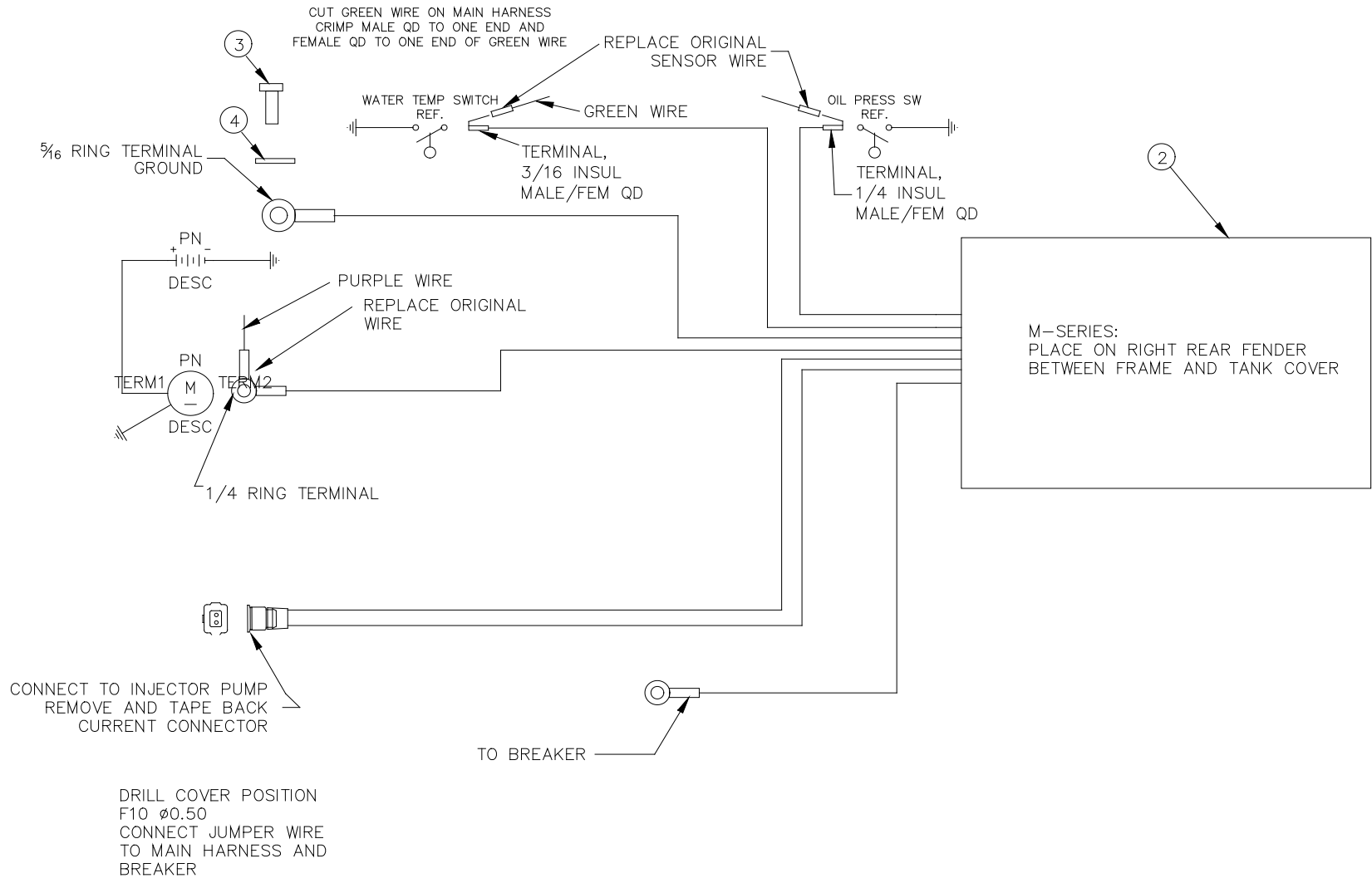
46.00

				QTY./MODEL				11 AA							
3/3		KD HAWK, ELECTRICAL ASSY. HYDROSTATIC		1- 30-2 T 2- 30-4 T 3- 30-2 TH 4- 30-4 TH											
ITEM	PART NO.	DESCRIPTION		1	2	3	4	5	6	7	8	9	10	11	12
60	5323	Screw CHC M5-16-8.8-ZN5-C				2	2								
61	79533	Screw				6	6								
62	196905	Plug				4	4								
63	224774	Bracket				6	6								
64	224773	Bracket				3	3								
65	812862	Breaker box Assy.				1	1								
66	804778	Weld Bracket				4	4								
68	805912	Socket, Deutch				4	4								
70	61674	Washer, M8 ZN12C/FE				3	3								
71	805923	Cable Assy.				2	2								
72	805924	Cable Assy.				2	2								
77	806341	Boot Breaker				8	8								
78	806112	D1- Electric Grease				2.5	2.5								
79	812864	Plate				1	1								
80	812865	Plate				1	1								
81	812866	Isolator				2	2								
82	25713	Bolt M6				4	4								
													46.00		



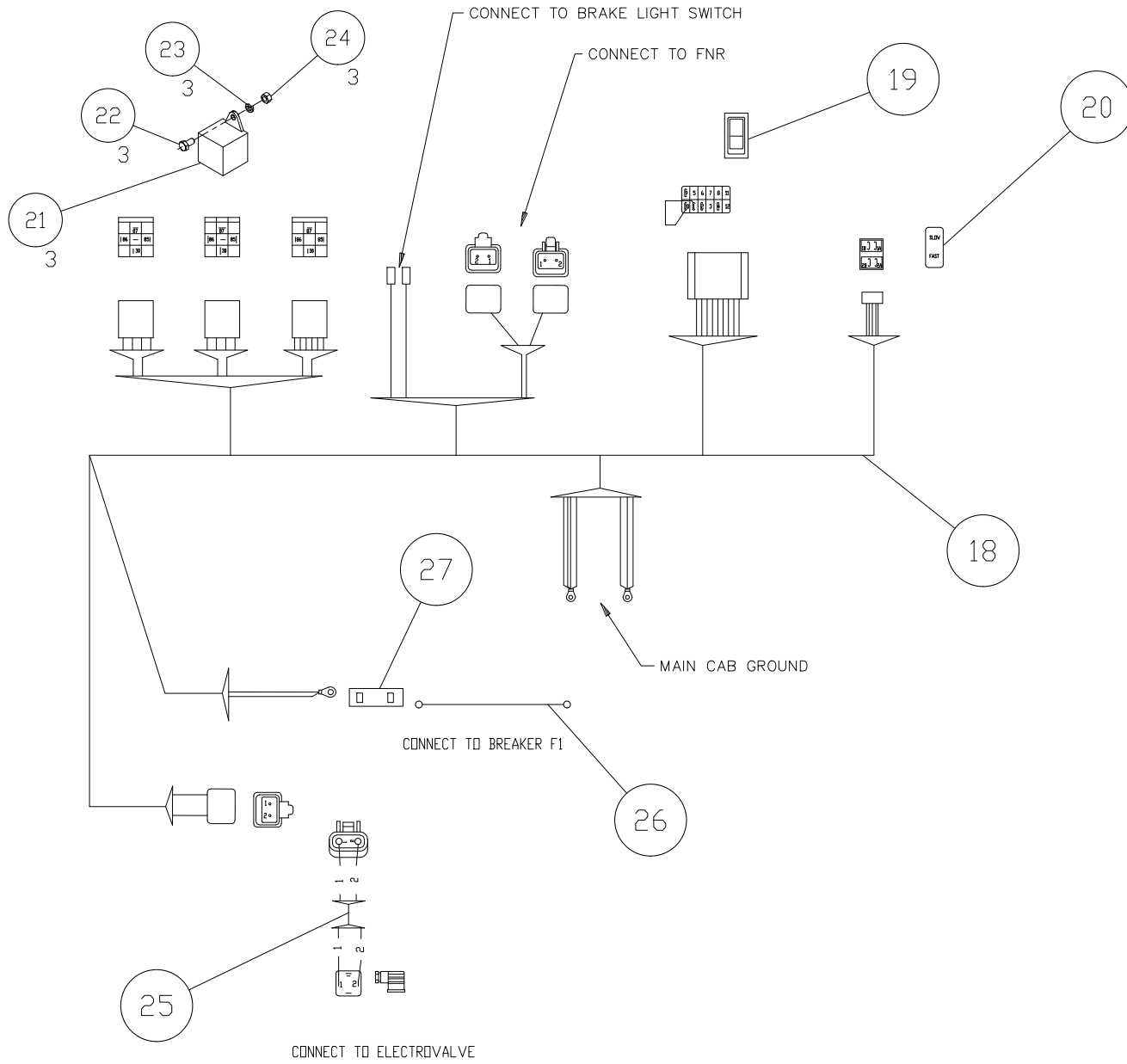
APPLY DI-ELECTRIC GREASE TO ALL ELECTRICAL CONNECTIONS

			QTY./MODEL				11 CC							
1/1	KD HAWK, TACHOMETER		1- 30-2 T 2- 30-4 T 3- 30-2 TH 4- 30-4 TH											
ITEM	PART NO.	DESCRIPTION	1	2	3	4	5	6	7	8	9	10	11	12
1	425514	Gauge, tachometer	1	1	1	1								
2	424359	Kit, tach mount	1	1	1	1								
3	424443	Kit, tach light	1	1	1	1								
4	805919	Plug	1	1	1	1								
5	805912	Socket	4	4	4	4								
6	805976	Harness, tachometer	1	1	1	1								
7	806112	D1-Electric Grease	.5	.5	.5	.5								
													47.00	



		QTY./MODEL				11 CD								
1/1		KD HAWK, ENGINE SHUT DOWN KIT				1- 30-2 T 2- 30-4 T 3- 30-2 TH 4- 30-4 TH								
ITEM	PART NO.	DESCRIPTION	1	2	3	4	5	6	7	8	9	10	11	12
1	805889	Circuit Breaker 5A	1	1	1	1								
2	807918	ShutDown Module	1	1	1	1								
3	54951	M8x1.25 Bolt 16 LG	1	1	1	1								
4	61674	M8 Flat Washer	1	1	1	1								
5	79533	Screw, M5x12 Soc. HD	4	4	4	4								
6	192310	Washer, Lock M5	4	4	4	4								
7	54232	Nut M5	4	4	4	4								
8	806341	Boot Breaker	1	1	1	1								
9	807826	Jumper Wire	1	1	1	1								

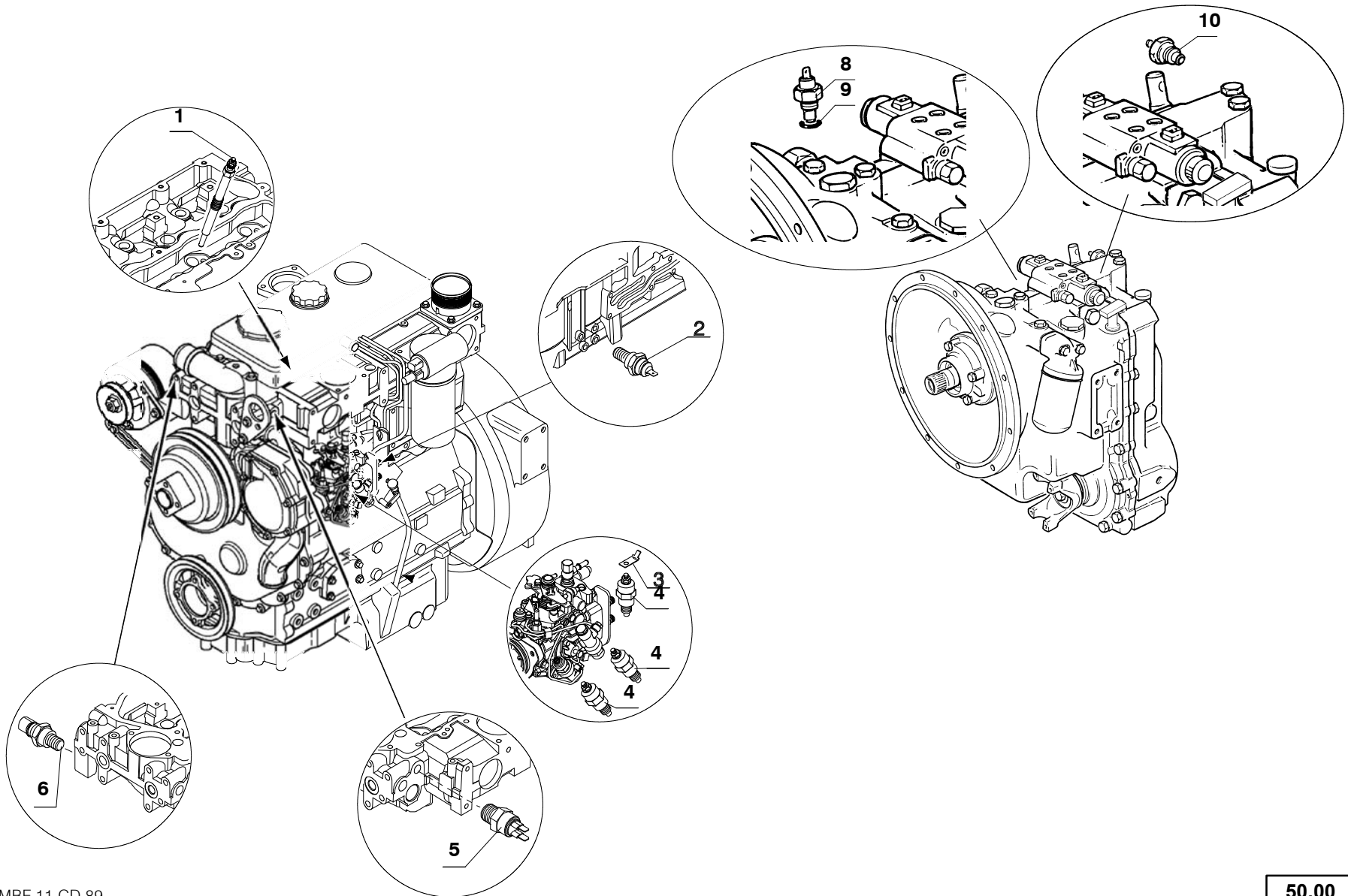
48.00



			QTY./MODEL				11 CD							
1/1	KD HAWK, HYDROSTATIC GEARBOX SOLENOID HARNESS		1- 30-2 T 2- 30-4 T 3- 30-2 TH 4- 30-4 TH											
ITEM	PART NO.	DESCRIPTION	1	2	3	4	5	6	7	8	9	10	11	12
18	805954	Harness Assembly, 2 Speed Shifter			1	1								
19	805957	Switch, 2 speed			1	1								
20	805958	Indicator lights			1	1								
21	805878	Relay			3	3								
22	79533	Screw			3	3								
23	28959	Washer			3	3								
24	54232	Nut			3	3								
25	805924	Cable assembly			1	1								
26	805905	Jumper wire			1	1								
27	805888	Breaker, 10 amp			1	1								
													49.00	

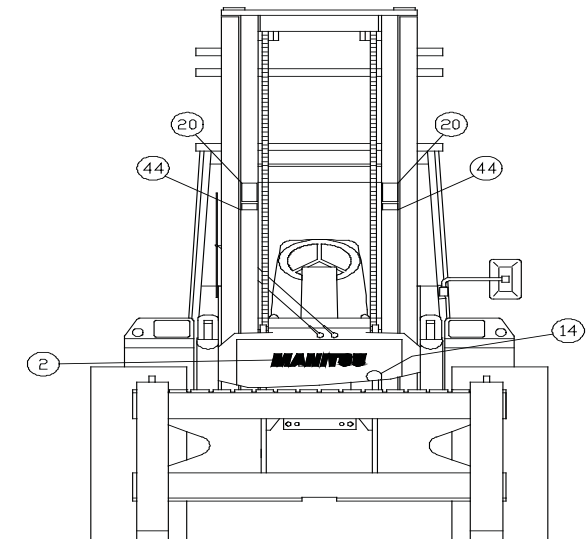
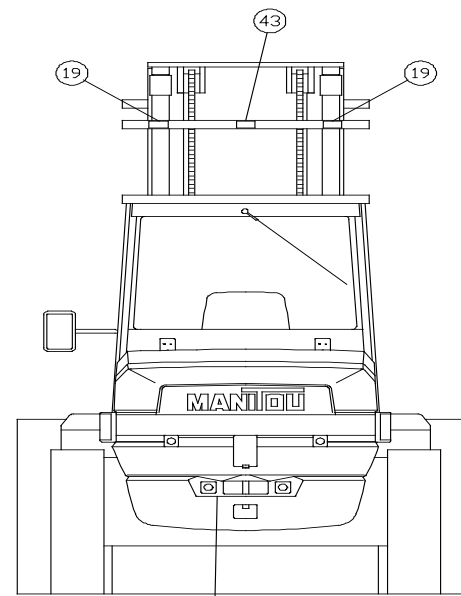
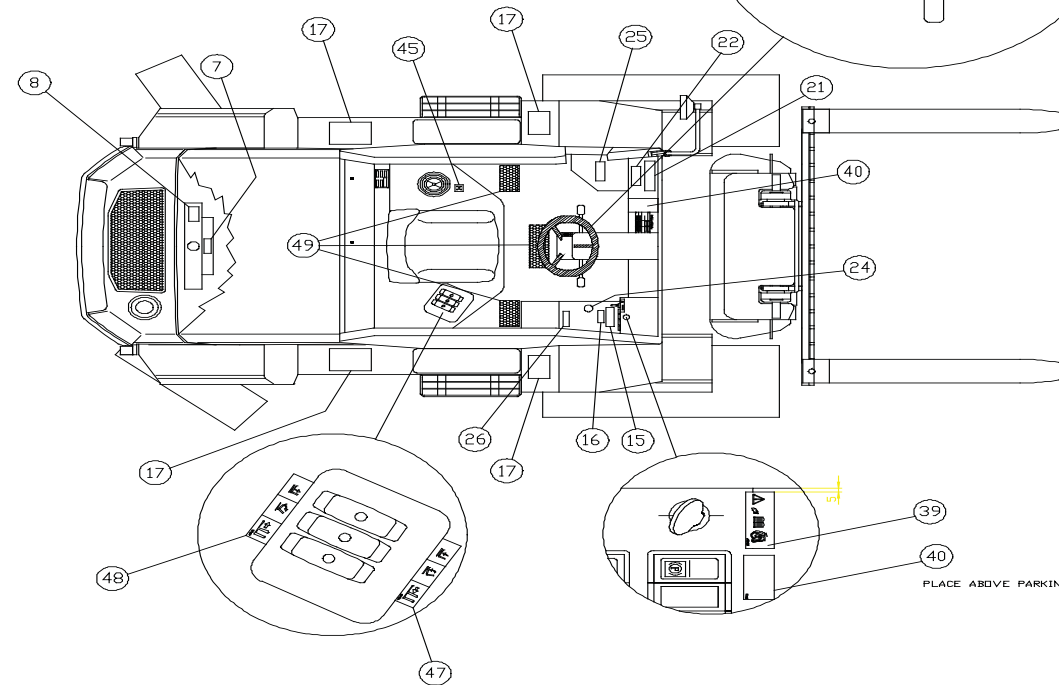
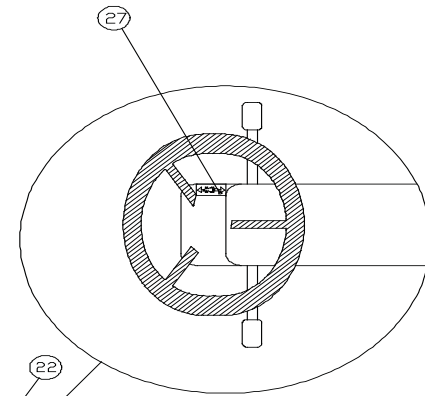
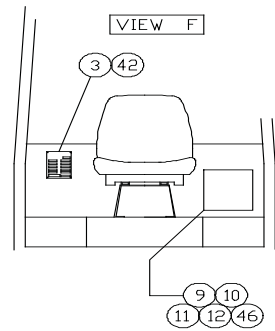
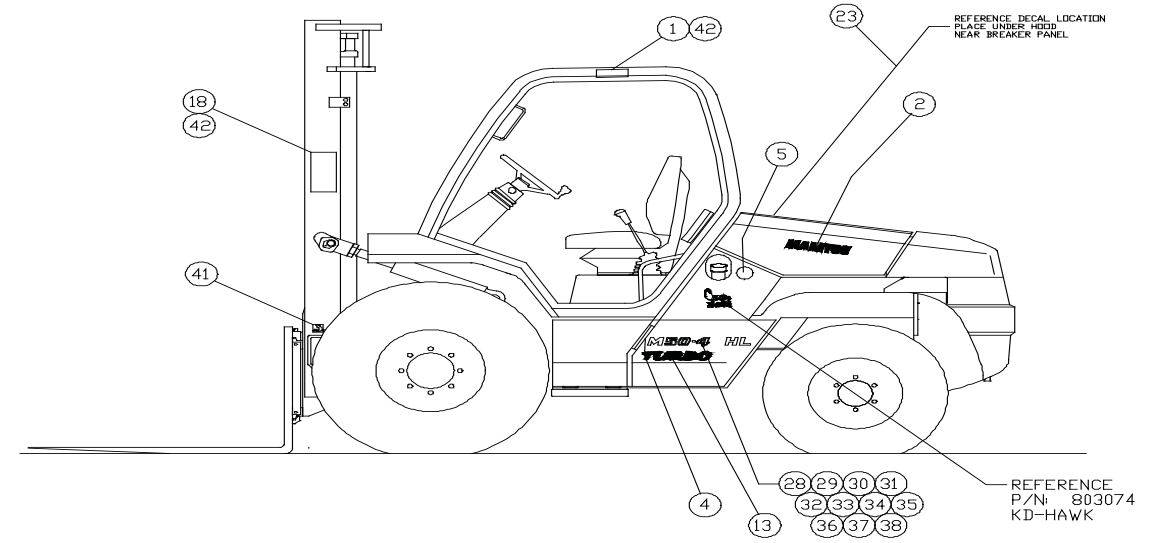
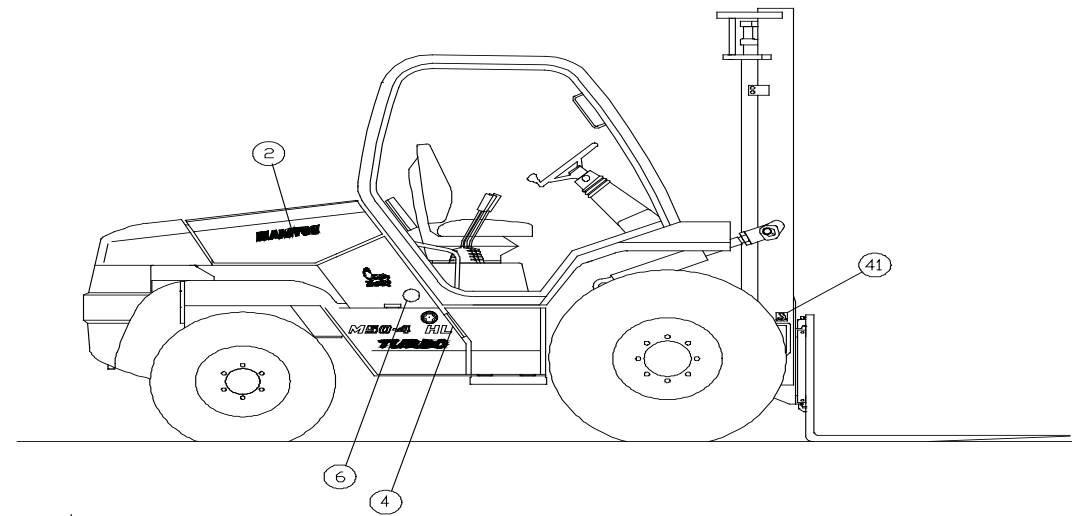
K-D HAWK SENSORS, ENGINE AND TRANSMISSION

NOTE: ENGINE COMPONENTS SHOWN ARE FOR PERKINS ENGINES ONLY.
FOR CAT ENGINE COMPONENTS CONTACT YOUR NEAREST CATERPILLAR DEALER. FOR PERKINS
COMPONENTS NOT FOUND IN THIS PARTS MANUAL CONTACT YOUR NEAREST PERKINS DEALER.



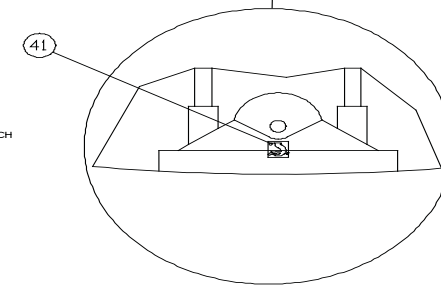
		QTY./MODEL				11 CD											
1/1		KD HAWK, SENSORS, ENGINE AND TRANSMISSION				1- 30-2 T 2- 30-4 T 3- 30-2 TH 4- 30-4 TH											
ITEM	PART NO.	DESCRIPTION				1	2	3	4	5	6	7	8	9	10	11	12
1	605030	Heating plug				4	4	4	4								
2	106389	Engine oil pressure switch				1	1	1	1								
3	212065	Cable terminal				1	1	1	1								
4	702709	Electrovalve, starting				3	3	3	3								
5	702283	Water temp sensor				1	1	1	1								
6	702318	Water temp sensor				1	1	1	1								
8	552502	Oil temp sensor				1	1	1	1								
9	109657	O--ring				1	1	1	1								
10	549100	Transmission oil pressure switch				1	1	1	1								

50.00



H - HYDROSTATIC
 L - FRAME LEVELING
 HL - FRAME LEVELING W/HYDROSTATIC
 C - COMPACT
 ZZ

M X X - Y Z Z
 M - MODEL SERIES
 XX - CAPACITY IN TONS
 Y - E V/B / 4 V/B



- NOTE:
1. DECAL KIT - 803123
 2. DIFF.-LOCK OPTION - 807848
 3. WARNING, TILT OPTION 45°/10° 807816

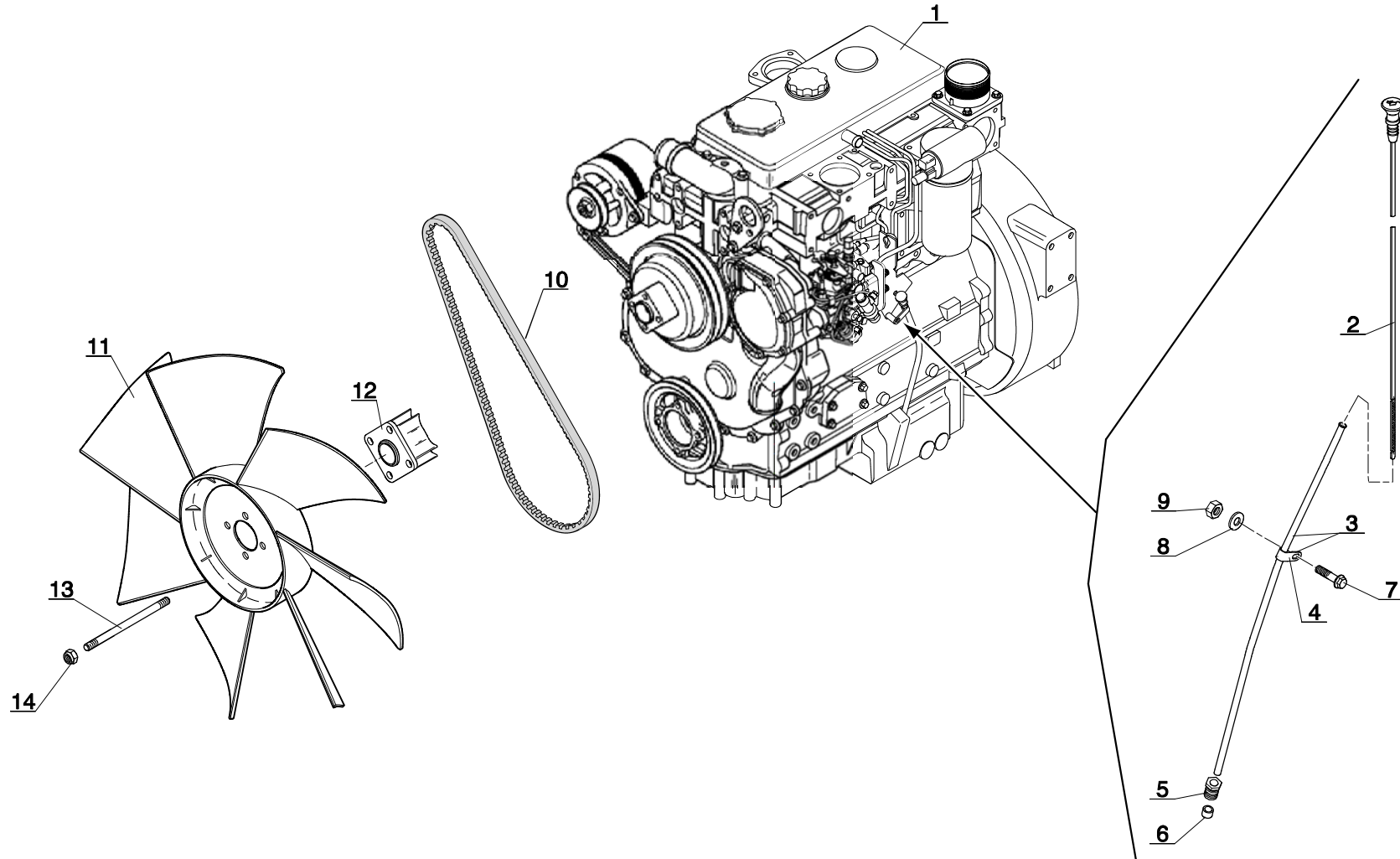
				QTY./MODEL				12 AA							
1/2		KD HAWK, DECALS		1- 30-2 T 2- 30-4 T 3- 30-2 TH 4- 30-4 TH											
ITEM	PART NO.	DESCRIPTION		1	2	3	4	5	6	7	8	9	10	11	12
1	B6109	O.H.G. Capacity Plate		1	1	1	1								
2	804768	Decal, Adhesive Text, "MANITOU"		3	3	3	3								
3	496538	S.N. Data Plate		1	1	1	1								
4	420732	Decal, No Riders		2	2	2	2								
5	234802	Decal, Diesel Only		1	1	1	1								
6	234798	Decal, Hydraulic Oil		1	1	1	1								
7	423398	Decal, Fan Shroud		1	1	1	1								
8	234799	Decal, Anti-Freeze		1	1	1	1								
9	420772	Cable Catalog		1	1	1	1								
10	420774	Case. Literature		1	1	1	1								
11	802833	Operator/Owner Manual		1	1	1	1								
12	420792	Decal, Before You Operate		1	1	1	1								
13	212021	Decal, Turbo		2	2	2	2								
14	164091	Decal, Brake Fluid		1	1	1	1								
15	M0000207	Decal, Caution		1	1	1	1								
16	494918	Decal, Push/Tow Warning		1	1	1	1								
17	496735	Decal, No Step		4	4	4	4								
18	R2016	Plate, Serial Number		1	1	1	1								
19	426643	Decal, Pinch Point(Large)		2	2	2	2								
20	B6108	Decal, Fork Warning		2	2	2	2								
21	423397	Decal, To Protect Engine		1	1	1	1								
22	493481	Decal, U.S.A		1	1	1	1								
23	807883	Decal, Breaker		1	1	1	1								
24	496162	Decal, Back-up		1	1	1	1								
25	B6143	Deck, Tilt Warning		1	1	1	1								
26	491779	Decal, Warning		1	1	1	1								
27	76571	Decal, F-N-R		1	1	1	1								
36	803156	Decal, "H" 30-2TH Only				2									
		See Note 3													

51.00

		QTY./MODEL				12 AA								
2/2		KD HAWK, DECALS				1- 30-2 T 2- 30-4 T 3- 30-2 TH 4- 30-4 TH								
ITEM	PART NO.	DESCRIPTION	1	2	3	4	5	6	7	8	9	10	11	12
37	803157	Decal, "L" 30-4TH Only				2								
39	234804	Decal, Instrument Panel	1	1	1	1								
40	807923	Decal, Parking Brake	1	1	1	1								
41	24653	Decal, Hook Here	3	3	3	3								
42	803313	Tack	12	12	12	12								
43	R40	Decal, Mast Safety	1	1	1	1								
44	426642	Decal, Keep Fingers Clear	2	2	2	2								
45	496653	Decal, Shift Pattern	1	1	1	1								
46	77808	Pop Rivet 4.8mm x 18mm	4	4	4	4								
47	803666	Decal, Control Valve - Top Half	1	1	1	1								
48	803667	Decal, Control Valve - Bottom Half	1	1	1	1								
49	Z2880	Non-Skid Adhesive	40"	40"	40"	40"								
50	806485	Manual, AEM Safety, M-Series	1	1	1	1								

51.00

NOTE: ENGINE COMPONENTS SHOWN ARE FOR PERKINS ENGINES - EXCEPT AS NOTED*.
 FOR COMPLETE CAT ENGINE SEE ITEM 1B ON THE FOLLOWING PAGE, FOR ALL OTHER ENGINE COMPONENTS CONTACT YOUR NEAREST CATERPILLAR DEALER
 FOR PERKINS COMPONENTS NOT FOUND IN THIS PARTS MANUAL CONTACT YOUR NEAREST PERKINS DEALER.

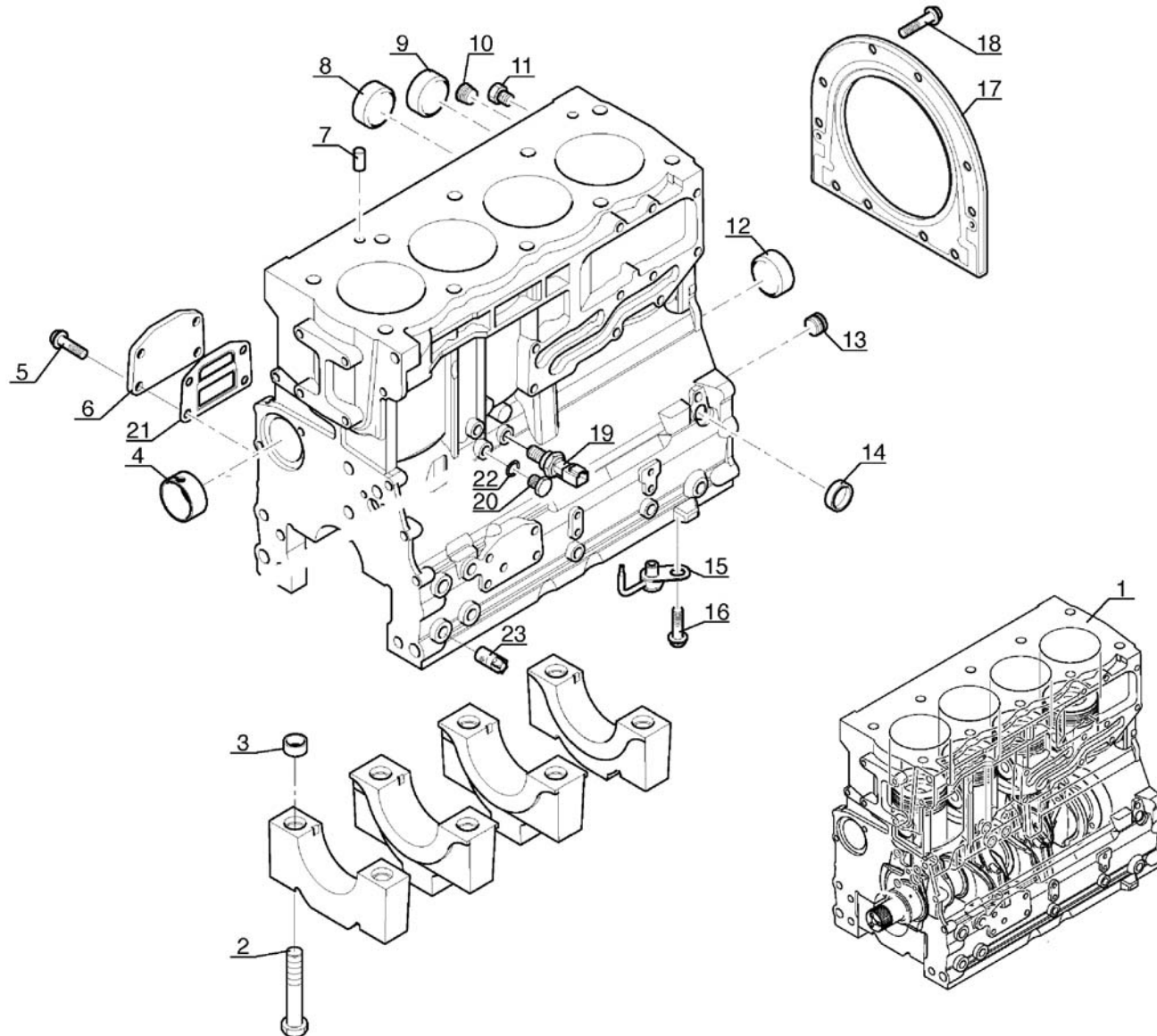


			QTY./MODEL				AP 1842							
1/1		KD HAWK, ENGINE COMPLETE	1- 30-2 T 2- 30-4 T 3- 30-2 TH 4- 30-4 TH											
ITEM	PART NO.	DESCRIPTION	1	2	3	4	5	6	7	8	9	10	11	12
1	265765	Complete Engine, Perkins 1104D--TIII	1	1	1	1								
1	807238	Complete Engine, Caterpillar 318-7159 TIII	1	1	1	1								
2	702287	Dipstick	1	1	1	1								
3	702286	Tube	1	1	1	1								
4	702289	Clamp	1	1	1	1								
5	474059	Nut	1	1	1	1								
6	474060	O--ring	1	1	1	1								
7	25713	Screw	1	1	1	1								
8	189857	Washer	1	1	1	1								
9	162229	Nut	1	1	1	1								
10*	702494	Belt	1	1	1	1								
11*	807867	Fan	1	1	1	1								
12	807850	Spacer, fan	1	1	1	1								
13	61674	Washer M8 Flat	4	4	4	4								
14	61323	Bolt, M8-1.25x35	4	4	4	4								

* Used on Perkins and Cat engines.

52.00

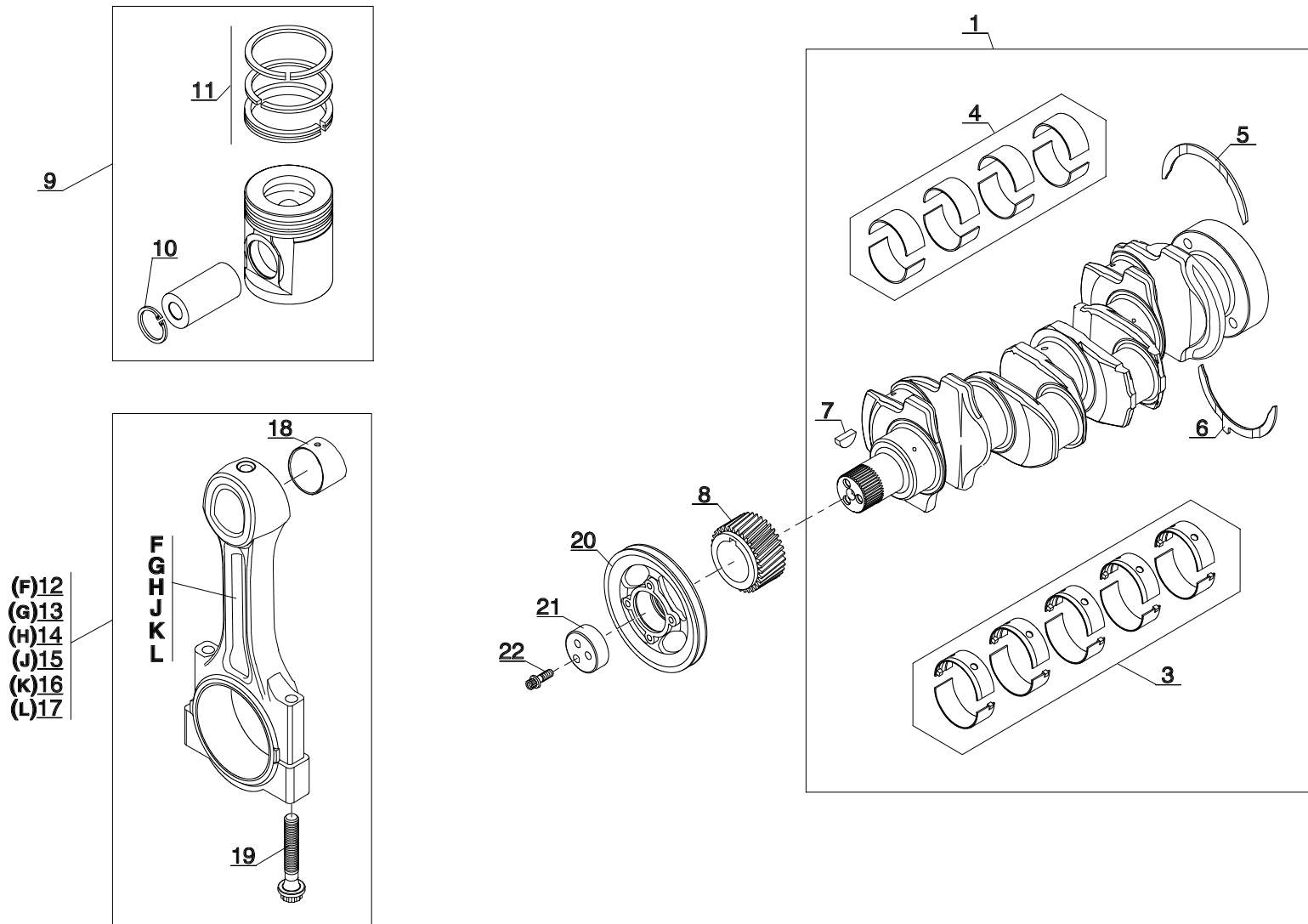
NOTE: ENGINE COMPONENTS SHOWN ARE FOR PERKINS ENGINES.
FOR CAT ENGINE COMPONENTS CONTACT YOUR NEAREST CATERPILLAR DEALER.
FOR PERKINS COMPONENTS NOT FOUND IN THIS PARTS MANUAL CONTACT YOUR NEAREST PERKINS DEALER.



		QTY./MODEL												
		4 AA												
		1- 30-2 T 2- 30-4 T 3- 30-2 TH 4- 30-4 TH												
1/1	KD HAWK, ENGINE CYLINDER BLOCK													
ITEM	PART NO.	DESCRIPTION	1	2	3	4	5	6	7	8	9	10	11	12
1	748404	Short block	1	1	1	1								
2	138222	Screw	10	10	10	10								
3	133831	Spacer	10	10	10	10								
4	604879	Bushing	1	1	1	1								
5	473955	Screw	4	4	4	4								
6	702052	Fastening plate	1	1	1	1								
7	563532	Centering pin	2	2	2	2								
8	604881	Plug	2	2	2	2								
9	139365	Plug	1	1	1	1								
10	133655	Plug	1	1	1	1								
11	604883	Plug	1	1	1	1								
12	604880	Plug	1	1	1	1								
13	604882	Plug	1	1	1	1								
14	604889	Plug	1	1	1	1								
15	706964	Fuel jet	4	4	4	4								
16	474138	Screw	4	4	4	4								
17	604887	Housing	1	1	1	1								
18	604888	Screw	10	10	10	10								
19	745801	Oil press switch	1	1	1	1								
20	474041	Screw	1	1	1	1								
21	604973	Gasket	1	1	1	1								
22	603433	Washer	1	1	1	1								
23	702657	Plug	4	4	4	4								

53.00

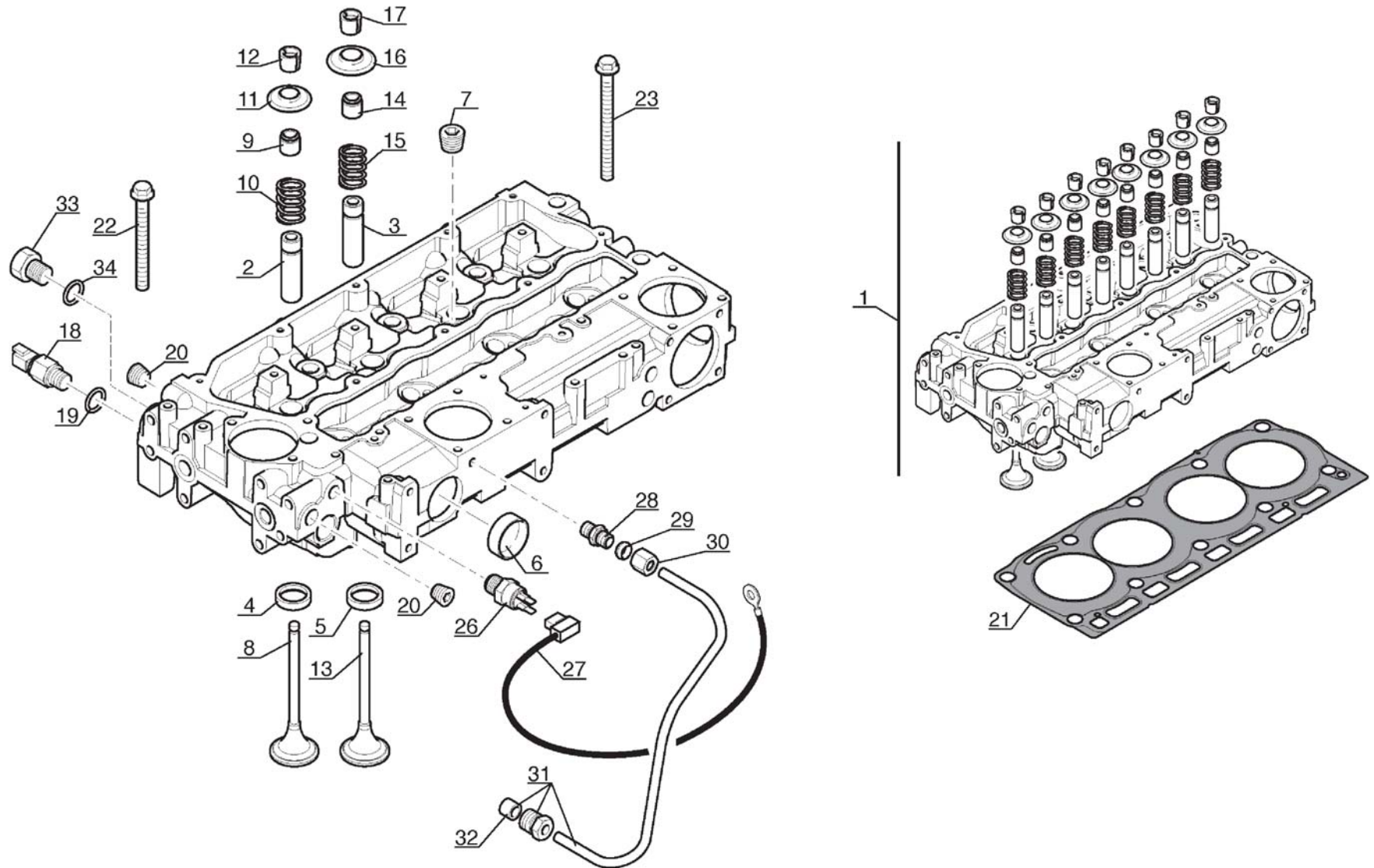
NOTE: ENGINE COMPONENTS SHOWN ARE FOR PERKINS ENGINES.
 FOR CAT ENGINE COMPONENTS CONTACT YOUR NEAREST CATERPILLAR DEALER.
 FOR PERKINS COMPONENTS NOT FOUND IN THIS PARTS MANUAL CONTACT YOUR NEAREST PERKINS DEALER.



		QTY./MODEL		4 AA											
1/1		KD HAWK, CRANKSHAFT		1- 30-2 T 2- 30-4 T 3- 30-2 TH 4- 30-4 TH											
ITEM	PART NO.	DESCRIPTION		1	2	3	4	5	6	7	8	9	10	11	12
1	702000	Crankshaft		1	1	1	1								
3	604894	Main bearing set (standard)		1	1	1	1								
3	604895	Main bearing set (+.010 in.)		A/R	A/R	A/R	A/R								
3	604896	Main bearing set (+.020 in.)		A/R	A/R	A/R	A/R								
3	604897	Main bearing set (+.030 in.)		A/R	A/R	A/R	A/R								
4	745798	Rod bearing set (standard)		1	1	1	1								
4	746100	Rod bearing set (+.010 in.)		A/R	A/R	A/R	A/R								
4	746101	Rod bearing set (+.020 in.)		A/R	A/R	A/R	A/R								
4	746102	Rod bearing set (+.030 in.)		A/R	A/R	A/R	A/R								
5	109834	Spacer (standard)		1	1	1	1								
5	133768	Spacer (+.007 in.)		A/R	A/R	A/R	A/R								
6	109835	Spacer (standard)		1	1	1	1								
6	133770	Spacer (+.007 in.)		A/R	A/R	A/R	A/R								
7	133636	Key		1	1	1	1								
8	604912	Gear		1	1	1	1								
9	747605	Piston		4	4	4	4								
10	563226	Circlip		2	2	2	2								
11	740840	Piston ring kit		1	1	1	1								
12	604904	Connecting rod (F)		4	4	4	4								
13	604905	Connecting rod (G)		4	4	4	4								
14	604906	Connecting rod (H)		4	4	4	4								
15	604907	Connecting rod (J)		4	4	4	4								
16	604908	Connecting rod (K)		4	4	4	4								
17	604909	Connecting rod (L)		4	4	4	4								
18	604910	Bushing		1	1	1	1								
19	604911	Screw		2	2	2	2								
20	702618	Pulley		1	1	1	1								
21	474037	Spacer		1	1	1	1								
22	474038	Screw		3	3	3	3								

54.00

NOTE: ENGINE COMPONENTS SHOWN ARE FOR PERKINS ENGINES.
 FOR CAT ENGINE COMPONENTS CONTACT YOUR NEAREST CATERPILLAR DEALER.
 FOR PERKINS COMPONENTS NOT FOUND IN THIS PARTS MANUAL CONTACT YOUR NEAREST PERKINS DEALER.



				QTY./MODEL				4 AA							
1/2		KD HAWK, CYLINDER HEAD		1- 30-2 T 2- 30-4 T 3- 30-2 TH 4- 30-4 TH											
ITEM	PART NO.	DESCRIPTION		1	2	3	4	5	6	7	8	9	10	11	12
1	747606	Cylinder head, complete		1	1	1	1								
2	563233	Guide		4	4	4	4								
3	563233	Guide		4	4	4	4								
4	747607	Bushing, intake		4	4	4	4								
5	747608	Bushing, exhaust		4	4	4	4								
6	474101	Plug		2	2	2	2								
7	133655	Plug		4	4	4	4								
8	747609	Intake valve		4	4	4	4								
9	704713	Seal		4	4	4	4								
10	747610	Spring		4	4	4	4								
11	747611	Cap		4	4	4	4								
12	747612	Cotter		8	8	8	8								
13	747613	Exhaust valve		4	4	4	4								
14	706965	Seal		4	4	4	4								
15	747610	Spring		4	4	4	4								
16	747611	Cap		4	4	4	4								
17	747612	Cotter		8	8	8	8								
18	702318	Water temp sensor		1	1	1	1								
19	604922	O--ring		1	1	1	1								
20	133739	Plug		2	2	2	2								
21	704934	Cylinder head gasket		1	1	1	1								
22	604924	Screw		7	7	7	7								
23	604925	Screw		3	3	3	3								
26	604928	Water temp sensor		1	1	1	1								
27	702126	Wiring harness		1	1	1	1								
28	108127	Connection		1	1	1	1								
29	133637	Tube		1	1	1	1								
30	133643	Nut		1	1	1	1								

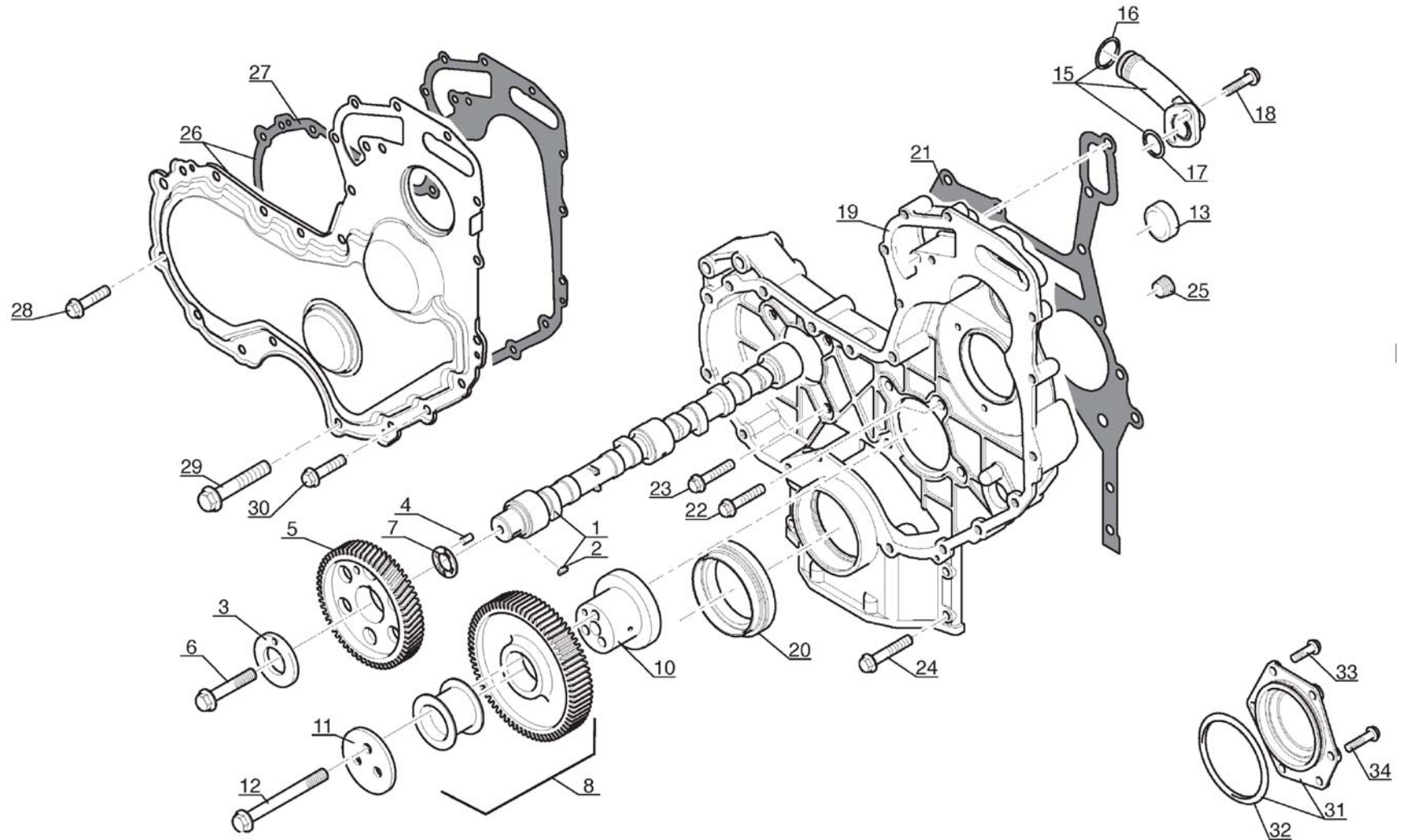
55.00

		QTY./MODEL										4 AA												
2/2		KD HAWK, ENGINE CYLINDER HEAD										1- 30-2 T 2- 30-4 T 3- 30-2 TH 4- 30-4 TH												
ITEM	PART NO.	DESCRIPTION										1	2	3	4	5	6	7	8	9	10	11	12	
31	702034	Connection										1												
32	133851	Tube										1												
33	604921	Plug										1												
34	604922	O--ring										1												
										55.00														

		QTY./MODEL				4 AA								
1/1		KD HAWK, ENGINE ROCKER ARMS				1- 30-2 T 2- 30-4 T 3- 30-2 TH 4- 30-4 TH								
ITEM	PART NO.	DESCRIPTION	1	2	3	4	5	6	7	8	9	10	11	12
1	747614	Rocker assembly, complete	1	1	1	1								
2	604931	Shaft	1	1	1	1								
3	604932	Plug	2	2	2	2								
4	747615	Rocker, exhaust	4	4	4	4								
5	747616	Nut	1	1	1	1								
6	740862	Screw	1	1	1	1								
7	604934	Spring	3	3	3	3								
8	747617	Rocker lever, intake	4	4	4	4								
9	747616	Nut	1	1	1	1								
10	740862	Screw	1	1	1	1								
11	604936	Circlip	2	2	2	2								
12	604937	Washer	2	2	2	2								
13	604938	Screw	1	1	1	1								
14	604939	Screw	3	3	3	3								
15	740873	Rod	8	8	8	8								
16	747371	Valve tappet	8	8	8	8								

56.00

NOTE: ENGINE COMPONENTS SHOWN ARE FOR PERKINS ENGINES.
 FOR CAT ENGINE COMPONENTS CONTACT YOUR NEAREST CATERPILLAR DEALER.
 FOR PERKINS COMPONENTS NOT FOUND IN THIS PARTS MANUAL CONTACT YOUR NEAREST PERKINS
 DEALER.

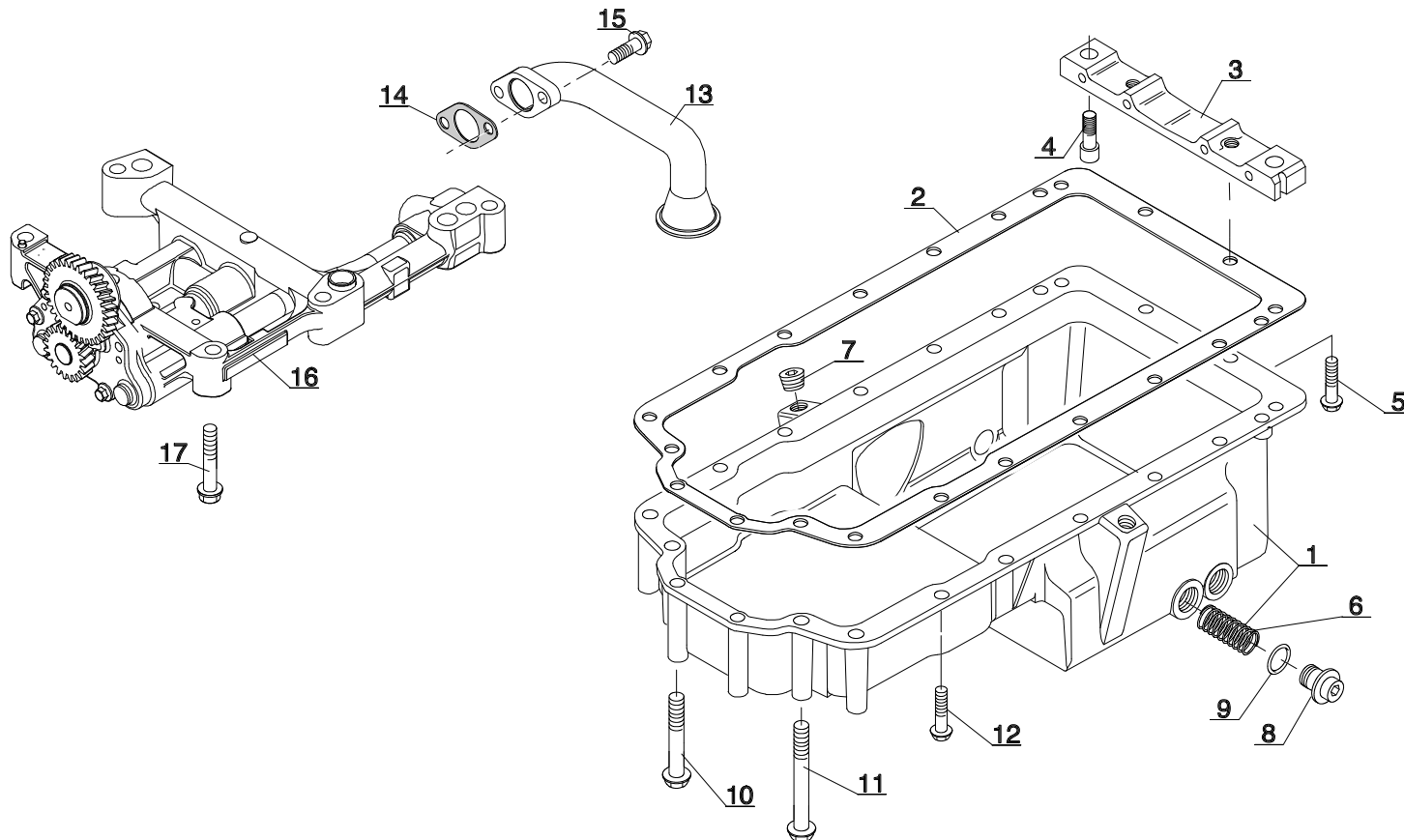


ITEM	PART NO.	DESCRIPTION	QTY./MODEL													
			1	2	3	4	5	6	7	8	9	10	11	12		
1/2		ENGINE, TIMING GEAR & CAM	1- 30-2 T 2- 30-4 T 3- 30-2 TH 4- 30-4 TH													
1	747648	Camshaft	1	1	1	1										
2	133636	Key	1	1	1	1										
3	474007	Washer	1	1	1	1										
4	133714	Pin	1	1	1	1										
5	604950	Gear	1	1	1	1										
6	473297	Screw	1	1	1	1										
7	702007	Washer	1	1	1	1										
8	703172	Gear	1	1	1	1										
10	747530	Hub	1	1	1	1										
11	745669	Plate	1	1	1	1										
12	473996	Screw	3	3	3	3										
13	604941	Plug	1	1	1	1										
15	604943	Connection	1	1	1	1										
16	604944	O--ring	1	1	1	1										
17	604945	O--ring	1	1	1	1										
18	107363	Screw	2	2	2	2										
19	775827	Housing	1	1	1	1										
20	706971	Seal	1	1	1	1										
21	706972	Gasket	1	1	1	1										
22	473951	Screw	1	1	1	1										
23	107363	Screw	8	8	8	8										
24	474005	Screw	4	4	4	4										
25	133739	Plug	1	1	1	1										
26	702310	Housing/gasket	1	1	1	1										
27	702311	Gasket	1	1	1	1										
28	474064	Screw	9	9	9	9										

57.00

		QTY./MODEL				4 AA								
2/2		ENGINE, TIMING GEAR & CAM				1- 30-2 T 2- 30-4 T 3- 30-2 TH 4- 30-4 TH								
ITEM	PART NO.	DESCRIPTION	1	2	3	4	5	6	7	8	9	10	11	12
29	476074	Screw	5	5	5	5								
30	473943	Screw	1	1	1	1								
31	603838	Fastening plate	1	1	1	1								
32	702312	Seal	1	1	1	1								
33	473943	Screw	1	1	1	1								
34	474105	Screw	5	5	5	5								
												57.00		

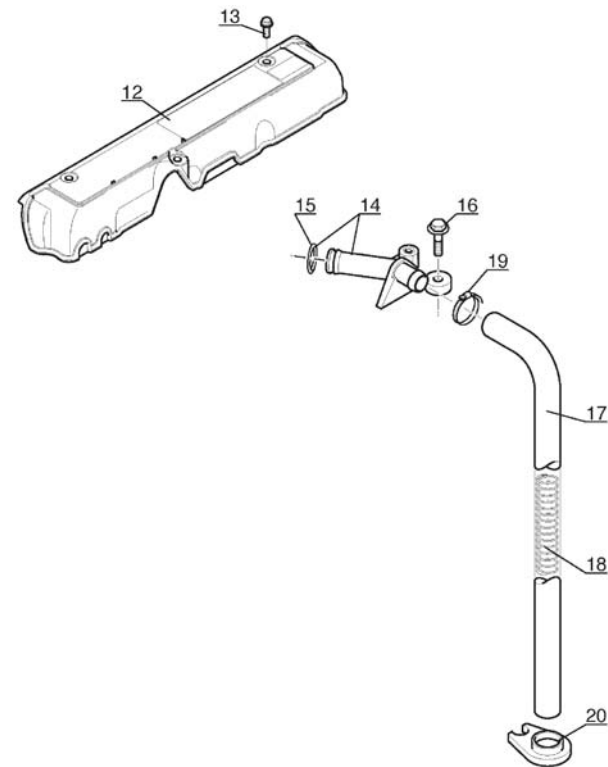
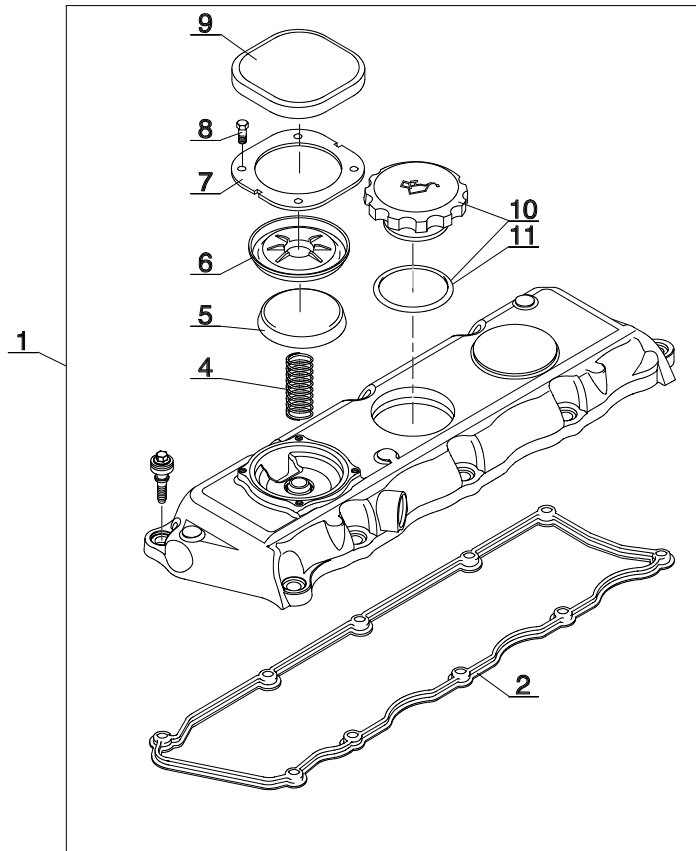
NOTE: ENGINE COMPONENTS SHOWN ARE FOR PERKINS ENGINES.
FOR CAT ENGINE COMPONENTS CONTACT YOUR NEAREST CATERPILLAR DEALER.
FOR PERKINS COMPONENTS NOT FOUND IN THIS PARTS MANUAL CONTACT YOUR NEAREST PERKINS DEALER.



		QTY./MODEL				4 AA								
1/1		KD HAWK, ENGINE OIL PUMP AND PAN				1- 30-2 T 2- 30-4 T 3- 30-2 TH 4- 30-4 TH								
ITEM	PART NO.	DESCRIPTION	1	2	3	4	5	6	7	8	9	10	11	12
1	745076	Oil pan	1	1	1	1								
2	702080	Gasket	1	1	1	1								
3	604954	Bridge	2	2	2	2								
4	474056	Screw	2	2	2	2								
5	473955	Screw	2	2	2	2								
6	139495	Spring	1	1	1	1								
7	548898	Plug	2	2	2	2								
8	473309	Plug	2	2	2	2								
9	474129	O--ring	4	4	4	4								
10	475201	Screw	2	2	2	2								
11	475201	Screw	12	12	12	12								
12	107363	Screw	1	1	1	1								
13	702291	Pipe	1	1	1	1								
14	477781	Seal	1	1	1	1								
15	473986	Screw	2	2	2	2								
16	702008	Oil pump	1	1	1	1								
17	473988	Screw	1	1	1	1								

58.00

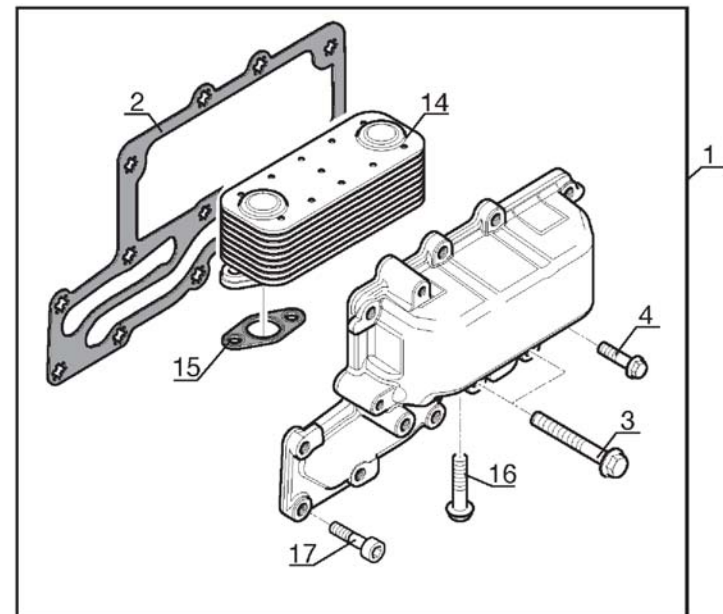
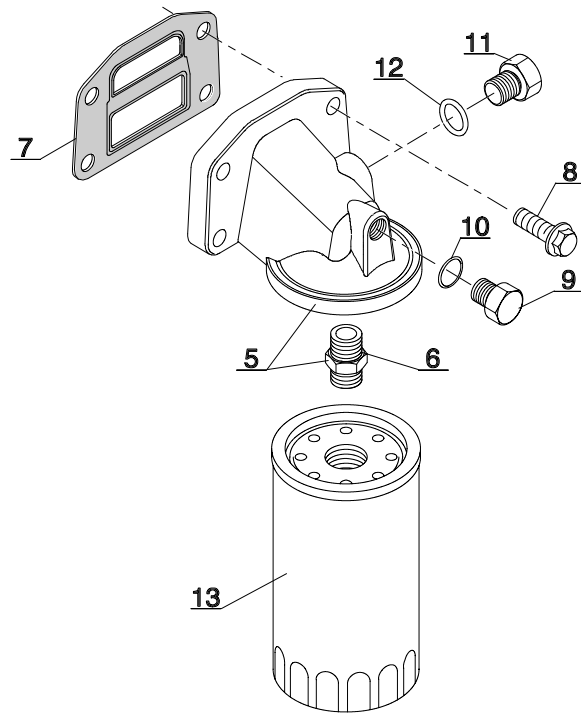
NOTE: ENGINE COMPONENTS SHOWN ARE FOR PERKINS ENGINES.
 FOR CAT ENGINE COMPONENTS CONTACT YOUR NEAREST CATERPILLAR DEALER.
 FOR PERKINS COMPONENTS NOT FOUND IN THIS PARTS MANUAL CONTACT YOUR NEAREST PERKINS DEALER.



			QTY./MODEL				4 AA							
1/1	ENGINE, ROCKER ARM COVER AND BREATHER		1- 30-2 T 2- 30-4 T 3- 30-2 TH 4- 30-4 TH											
ITEM	PART NO.	DESCRIPTION	1	2	3	4	5	6	7	8	9	10	11	12
1	744839	Rocker arm cover, complete	1	1	1	1								
2	604958	Seal	1	1	1	1								
4	604960	Spring	1	1	1	1								
5	604961	Plug	1	1	1	1								
6	604962	Diaphragm	1	1	1	1								
7	604963	Fastening plate	1	1	1	1								
8	604964	Screw	4	4	4	4								
9	604965	Cover	1	1	1	1								
10	550493	Filling plug	1	1	1	1								
11	603891	O--ring	1	1	1	1								
12	604966	Cover	1	1	1	1								
13	474018	Screw	3	3	3	3								
14	747621	Air breather	1	1	1	1								
15	604969	O--ring	1	1	1	1								
16	552894	Screw	2	2	2	2								
17	702010	Hose	1	1	1	1								
18	563506	Spring	1	1	1	1								
19	550499	Clamp	1	1	1	1								
20	474124	Bracket	1	1	1	1								

59.00

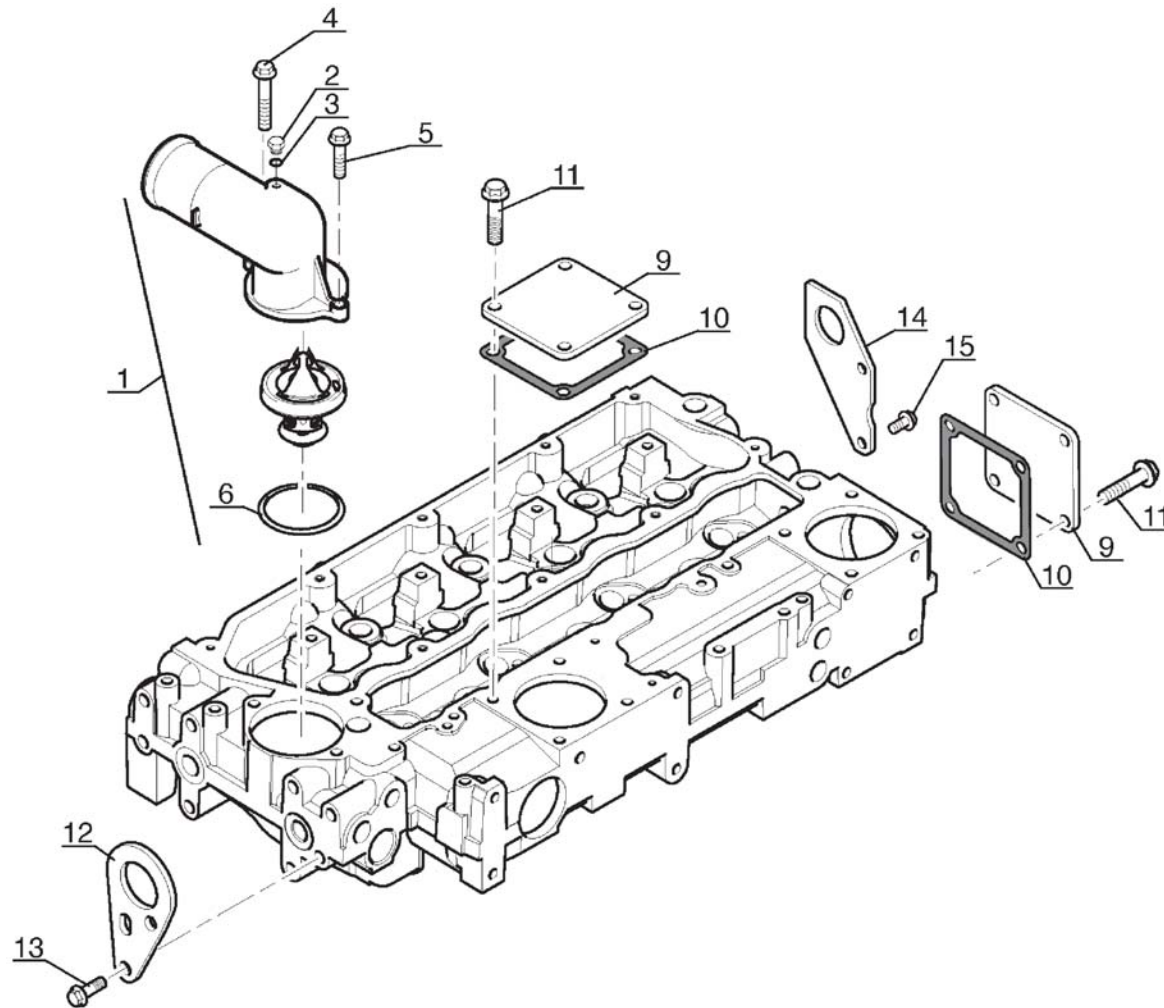
NOTE: ENGINE COMPONENTS SHOWN ARE FOR PERKINS ENGINES.
FOR CAT ENGINE COMPONENTS CONTACT YOUR NEAREST CATERPILLAR DEALER.
FOR PERKINS COMPONENTS NOT FOUND IN THIS PARTS MANUAL CONTACT YOUR NEAREST PERKINS
DEALER.



			QTY./MODEL				4 AA							
1/1	ENGINE, OIL FILTER BRACKET		1- 30-2 T 2- 30-4 T 3- 30-2 TH 4- 30-4 TH											
ITEM	PART NO.	DESCRIPTION	1	2	3	4	5	6	7	8	9	10	11	12
1	745800	Oil cooler	1	1	1	1								
2	706970	Gasket	1	1	1	1								
3	476018	Screw	3	3	3	3								
4	473986	Screw	8	8	8	8								
5	705459	Filter head	1	1	1	1								
6	550507	Connection	1	1	1	1								
7	604973	Gasket	1	1	1	1								
8	474005	Screw	4	4	4	4								
9	604974	Plug	1	1	1	1								
10	604975	O--ring	1	1	1	1								
11	604976	Plug	1	1	1	1								
12	604977	O--ring	1	1	1	1								
13	476954	Oil filter	1	1	1	1								
14	702012	Oil cooler	1	1	1	1								
15	702013	Seal	2	2	2	2								
16	473951	Screw	4	4	4	4								
17	475986	Screw	2	2	2	2								

60.00

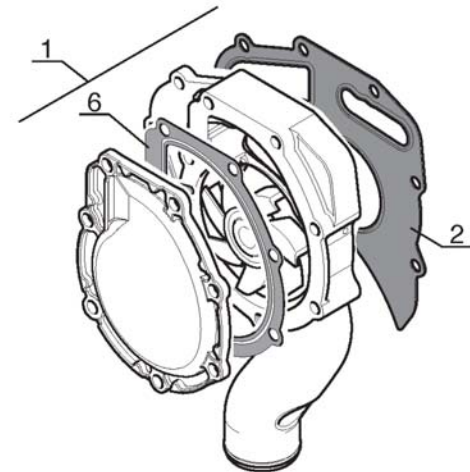
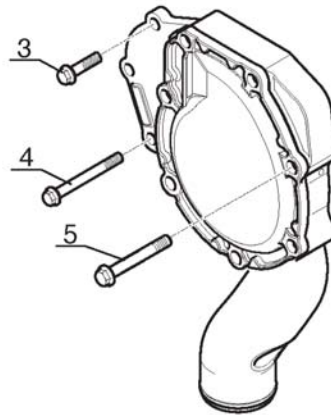
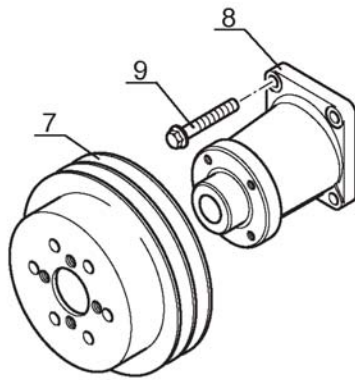
NOTE: ENGINE COMPONENTS SHOWN ARE FOR PERKINS ENGINES.
FOR CAT ENGINE COMPONENTS CONTACT YOUR NEAREST CATERPILLAR DEALER.
FOR PERKINS COMPONENTS NOT FOUND IN THIS PARTS MANUAL CONTACT YOUR NEAREST PERKINS DEALER.



		QTY./MODEL				4 AA								
1/1		ENGINE, CYLINDER HEAD OUTLETS				1- 30-2 T 2- 30-4 T 3- 30-2 TH 4- 30-4 TH								
ITEM	PART NO.	DESCRIPTION	1	2	3	4	5	6	7	8	9	10	11	12
1	704578	Water outlet kit	1	1	1	1								
2	704937	Plug	1	1	1	1								
3	704938	O--ring	1	1	1	1								
4	476074	Screw	1	1	1	1								
5	473986	Screw	1	1	1	1								
6	704936	O--ring	1	1	1	1								
9	564551	Fastening plate	2	2	2	2								
10	473560	Gasket	2	2	2	2								
11	474105	Screw	8	8	8	8								
12	604986	Lug	1	1	1	1								
13	473943	Screw	2	2	2	2								
14	702660	Lug	1	1	1	1								
15	473943	Screw	2	2	2	2								

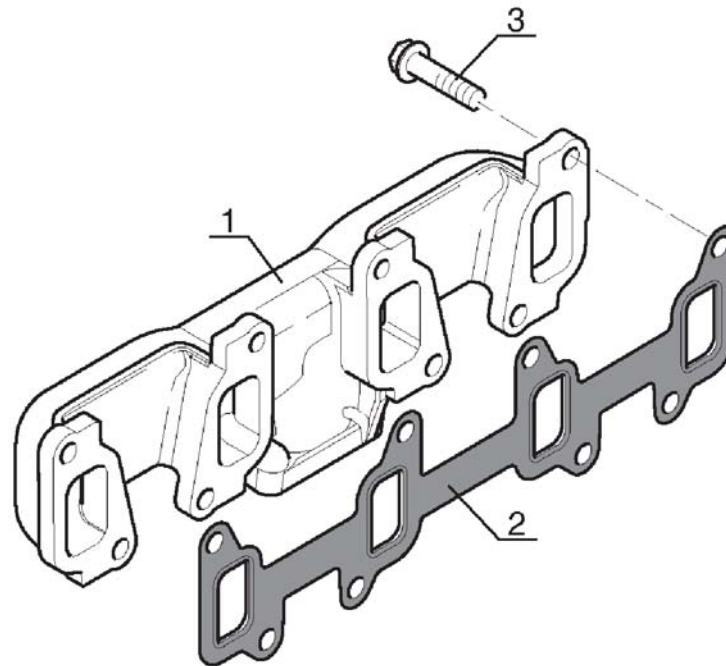
61.00

NOTE: ENGINE COMPONENTS SHOWN ARE FOR PERKINS ENGINES.
FOR CAT ENGINE COMPONENTS CONTACT YOUR NEAREST CATERPILLAR DEALER.
FOR PERKINS COMPONENTS NOT FOUND IN THIS PARTS MANUAL CONTACT YOUR NEAREST PERKINS DEALER.



		QTY./MODEL				4 AA											
1/1		ENGINE, WATERPUMP				1- 30-2 T 2- 30-4 T 3- 30-2 TH 4- 30-4 TH											
ITEM	PART NO.	DESCRIPTION				1	2	3	4	5	6	7	8	9	10	11	12
1	747622	Waterpump				1	1	1	1								
2	604988	Gasket				1	1	1	1								
3	473982	Screw				2	2	2	2								
4	475057	Screw				2	2	2	2								
5	476074	Screw				5	5	5	5								
6	704546	Seal				1	1	1	1								
7	552418	Pulley				1	1	1	1								
8	702762	Pulley bracket				1	1	1	1								
9	473290	Screw				4	4	4	4								
														62.00			

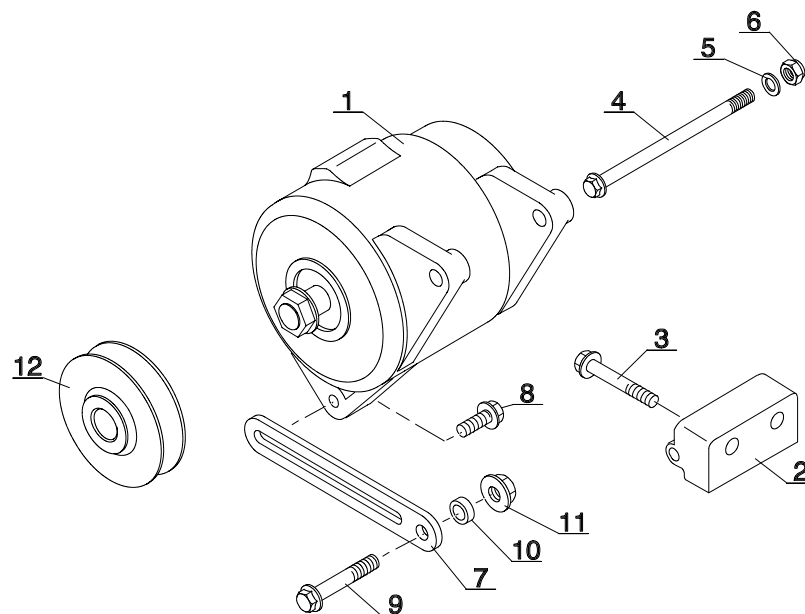
NOTE: ENGINE COMPONENTS SHOWN ARE FOR PERKINS ENGINES.
FOR CAT ENGINE COMPONENTS CONTACT YOUR NEAREST CATERPILLAR DEALER.
FOR PERKINS COMPONENTS NOT FOUND IN THIS PARTS MANUAL CONTACT YOUR NEAREST PERKINS
DEALER.



		QTY./MODEL										4 AA												
1/1		ENGINE, EXHAUST MANIFOLD										1- 30-2 T 2- 30-4 T 3- 30-2 TH 4- 30-4 TH												
ITEM	PART NO.	DESCRIPTION										1	2	3	4	5	6	7	8	9	10	11	12	
1	702336	Exhaust manifold										1												
2	604997	Gasket										1												
3	600716	Screw										8												

63.00

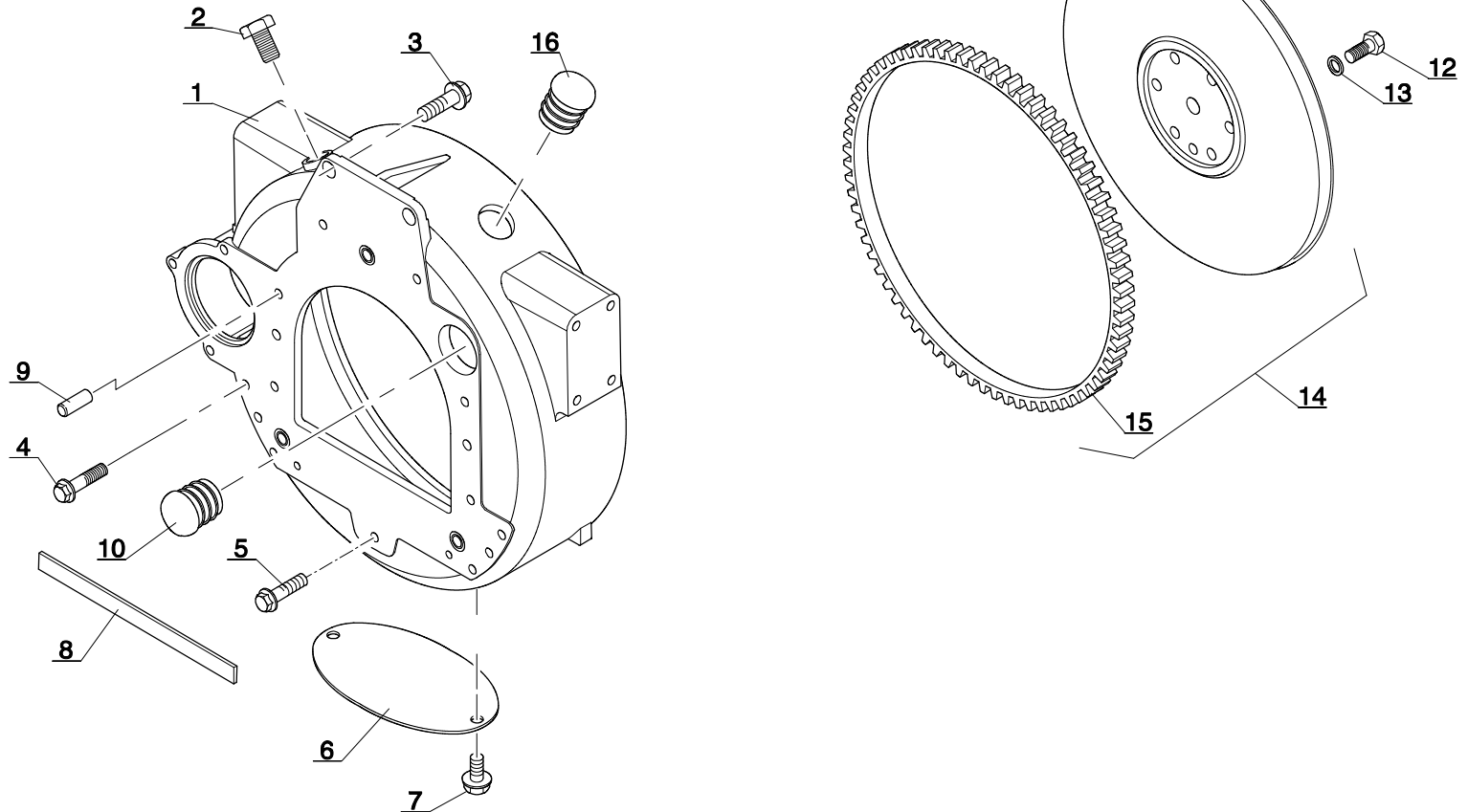
NOTE: ENGINE COMPONENTS SHOWN ARE FOR PERKINS ENGINES.
FOR CAT ENGINE COMPONENTS CONTACT YOUR NEAREST CATERPILLAR DEALER.
FOR PERKINS COMPONENTS NOT FOUND IN THIS PARTS MANUAL CONTACT YOUR NEAREST PERKINS DEALER.



		QTY./MODEL				4 AA											
1/1		KD HAWK , ALTERNATOR				1- 30-2 T 2- 30-4 T 3- 30-2 TH 4- 30-4 TH											
ITEM	PART NO.	DESCRIPTION				1	2	3	4	5	6	7	8	9	10	11	12
1	702759	Alternator				1	1	1	1								
2	604999	Bracket				1	1	1	1								
3	605000	Screw				2	2	2	2								
4	550482	Screw				1	1	1	1								
5	133707	Washer				1	1	1	1								
6	551662	Nut				1	1	1	1								
7	605001	Lever				1	1	1	1								
8	473986	Screw				1	1	1	1								
9	563744	Screw				1	1	1	1								
10	108564	Spacer				1	1	1	1								
11	473969	Nut				1	1	1	1								
12	605003	Pulley				1	1	1	1								

64.00

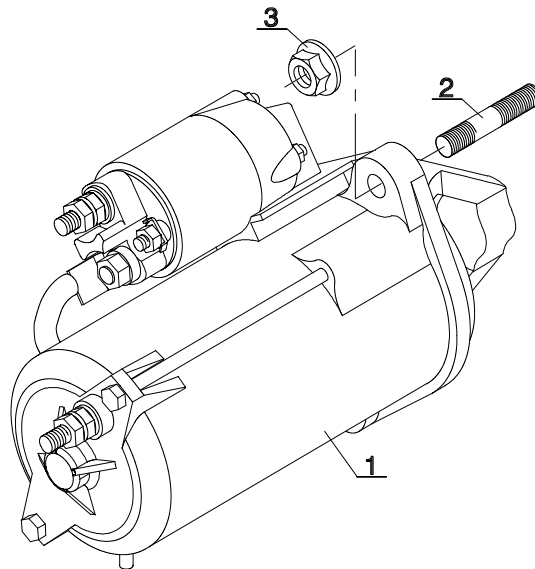
NOTE: ENGINE COMPONENTS SHOWN ARE FOR PERKINS ENGINES.
 FOR CAT ENGINE COMPONENTS CONTACT YOUR NEAREST CATERPILLAR DEALER.
 FOR PERKINS COMPONENTS NOT FOUND IN THIS PARTS MANUAL CONTACT YOUR NEAREST PERKINS DEALER.



		QTY./MODEL				4 AA								
1/1		KD HAWK, ENGINE, FLYWHEEL HOUSING				1- 30-2 T 2- 30-4 T 3- 30-2 TH 4- 30-4 TH								
ITEM	PART NO.	DESCRIPTION	1	2	3	4	5	6	7	8	9	10	11	12
1	562567	Flywheel housing	1	1	1	1								
2	473973	Plug	1	1	1	1								
3	473975	Screw	2	2	2	2								
4	473958	Screw	6	6	6	6								
5	473976	Screw	3	3	3	3								
6	473971	Sludge door	1	1	1	1								
7	473972	Screw	2	2	2	2								
8	107702	Cover	1	1	1	1								
9	745999	Pin	2	2	2	2								
10	601828	Plug	1	1	1	1								
12	473299	Screw	6	6	6	6								
13	473303	Washer	6	6	6	6								
14	702619	Flywheel	1	1	1	1								
15	138200	Gear	1	1	1	1								
16	601829	Plug	1	1	1	1								

65.00

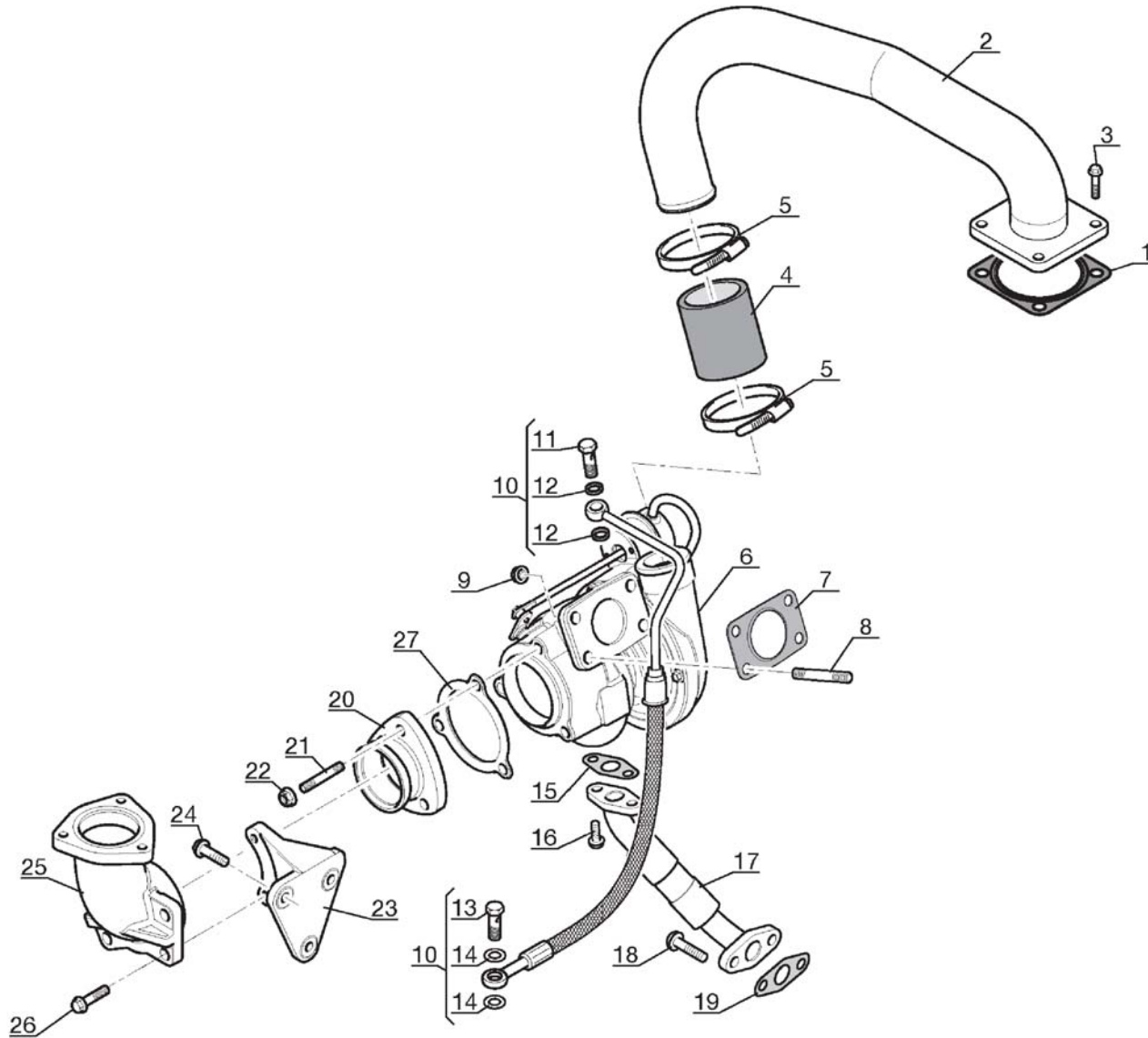
NOTE: ENGINE COMPONENTS SHOWN ARE FOR PERKINS ENGINES.
FOR CAT ENGINE COMPONENTS CONTACT YOUR NEAREST CATERPILLAR DEALER.
FOR PERKINS COMPONENTS NOT FOUND IN THIS PARTS MANUAL CONTACT YOUR NEAREST PERKINS
DEALER.



			QTY./MODEL				4 AA							
1/1	KD HAWK, ENGINE, STARTER MOTOR		1- 30-2 T 2- 30-4 T 3- 30-2 TH 4- 30-4 TH											
ITEM	PART NO.	DESCRIPTION	1	2	3	4	5	6	7	8	9	10	11	12
1	781742	Starter motor	1	1	1	1								
2	476168	Stud bolt	3	3	3	3								
3	473969	Nut	3	3	3	3								

66.00

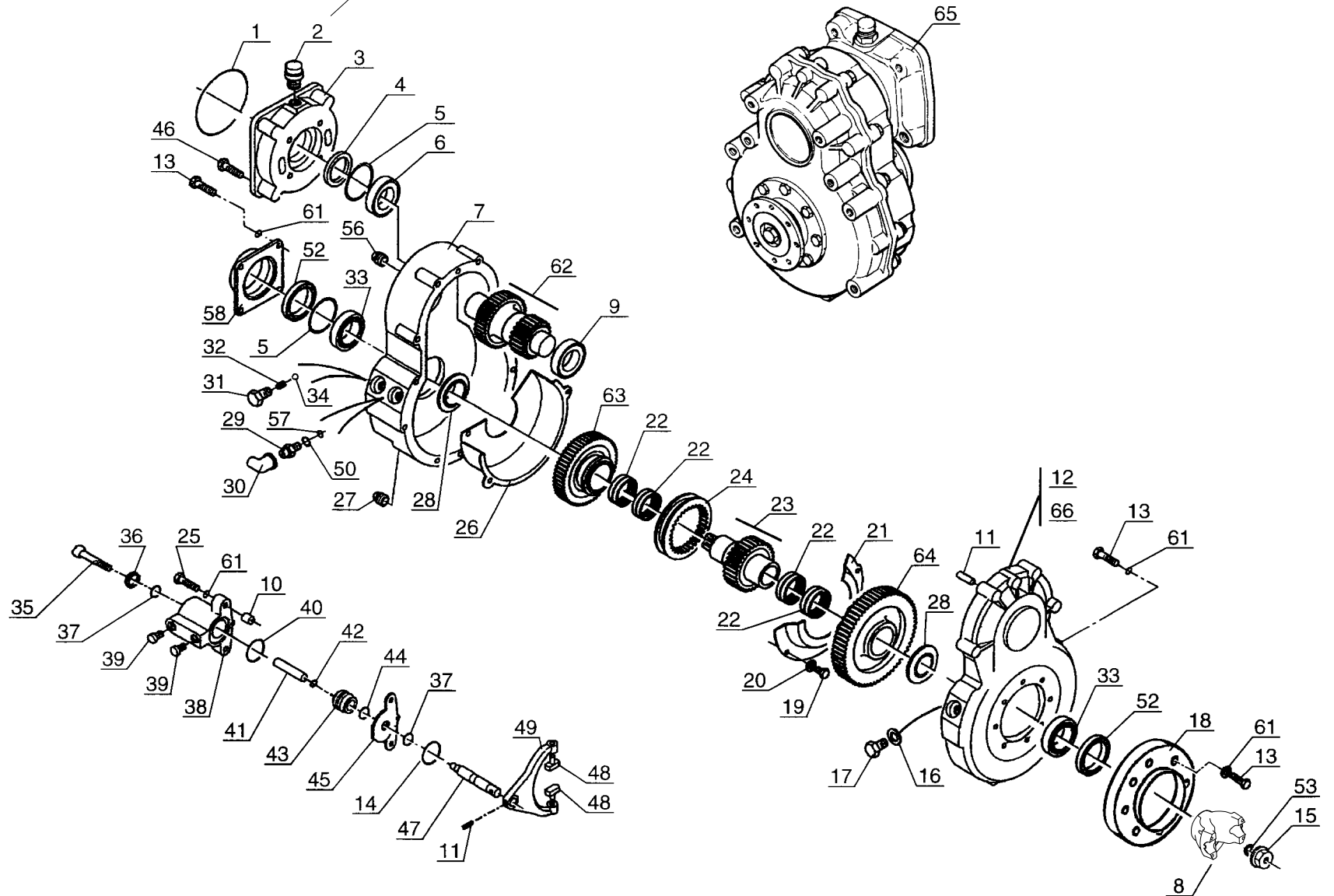
NOTE: ENGINE COMPONENTS SHOWN ARE FOR PERKINS ENGINES.
 FOR CAT ENGINE COMPONENTS CONTACT YOUR NEAREST CATERPILLAR DEALER.
 FOR PERKINS COMPONENTS NOT FOUND IN THIS PARTS MANUAL CONTACT YOUR NEAREST PERKINS
 DEALER.



		QTY./MODEL				4 AA											
1/1		ENGINE, TURBOCHARGER				1- 30-2 T 2- 30-4 T 3- 30-2 TH 4- 30-4 TH											
ITEM	PART NO.	DESCRIPTION				1	2	3	4	5	6	7	8	9	10	11	12
1	702017	Gasket				1	1	1	1								
2	702335	Tube				1	1	1	1								
3	473955	Screw				4	4	4	4								
4	702019	Hose				1	1	1	1								
5	702018	Clamp				2	2	2	2								
6	748409	Turbocharger				1	1	1	1								
7	601642	Gasket				1	1	1	1								
8	702021	Stud				4	4	4	4								
9	473908	Nut				4	4	4	4								
10	702330	Hose				1	1	1	1								
11	702024	Hollow screw				1	1	1	1								
12	702023	Washer				2	2	2	2								
13	702024	Hollow screw				1	1	1	1								
14	702023	Washer				2	2	2	2								
15	702026	Gasket				1	1	1	1								
16	474067	Screw				2	2	2	2								
17	702331	Hose				1	1	1	1								
18	107363	Screw				2	2	2	2								
19	702029	Gasket				1	1	1	1								
20	746433	Adaptor				1	1	1	1								
21	702021	Stud				3	3	3	3								
22	473908	Nut				3	3	3	3								
23	748455	Bracket				1	1	1	1								
24	473956	Screw				3	3	3	3								
25	702332	Connection				1	1	1	1								
26	473958	Screw				2	2	2	2								
27	702314	Seal				1	1	1	1								

67.00

INSTALLATION LOCATION VARIES



				QTY./MODEL				4 AA							
1/3		KD HAWK, GEARBOX, HYDROSTATIC, 2--SPEED REDUCTION		1- 30-2 T 2- 30-4 T 3- 30-2 TH 4- 30-4 TH											
ITEM	PART NO.	DESCRIPTION		1	2	3	4	5	6	7	8	9	10	11	12
1	564073	O--ring				1	1								
2	552524	Air breather				1	1								
3	564076	Cover				1	1								
4	552509	Seal				1	1								
5	133136	Shim .10mm (.004 in.)				A/R	A/R								
5	133138	Shim .30mm (.012 in.)				A/R	A/R								
5	478022	Shim .40mm (.016 in.)				A/R	A/R								
5	552515	Shim .15mm (.006 in.)				A/R	A/R								
5	562427	Shim .20mm (.008 in.)				A/R	A/R								
6	105101	Bearing				1	1								
7	563497	Housing				1	1								
8	564248	Flange				2	2								
9	105491	Bearing				1	1								
10	564223	Bushing				2	2								
11	552518	Centering pin				3	3								
12	600593	Cover (Gearbox Serial No. Z. ITA. 739546 and below)				1	1								
13	106842	Screw				24	24								
14	475059	O--ring				1	1								
15	562485	Nut				2	2								
16	552514	Washer				1	1								
17	552522	Screw				1	1								
18	600595	Cover				1	1								
19	105131	Screw				1	1								
20	133118	Washer				2	2								
21	552538	Protective housing				2	2								
22	552513	Roller bearing				1	1								
23	600596	Output shaft				4	4								
						1	1								

68.00

		QTY./MODEL				4 AA								
2/3		KD HAWK, GEARBOX, HYDROSTATIC, 2--SPEED REDUCTION				1- 30-2 T 2- 30-4 T 3- 30-2 TH 4- 30-4 TH								
ITEM	PART NO.	DESCRIPTION	1	2	3	4	5	6	7	8	9	10	11	12
24	601983	Change selector (GEARBOX 801992, 6K & 8K)			1	1								
25	133177	Screw (GEARBOX 801992, 6K & 8K)			2	2								
26	552537	Protective housing			1	1								
27	133296	Magnetic plug			1	1								
28	552531	Spacer			2	2								
29	477475	Safety system switch			1	1								
30	477476	Cap			1	1								
31	564250	Screw			1	1								
32	561947	Spring			1	1								
33	133055	Bearing			2	2								
34	133131	Ball (GEARBOX 801992, 6K & 8K)			1	1								
35	133187	Screw			1	1								
36	552512	O--ring			1	1								
37	563502	Seal			2	2								
38	564245	Cylinder body			1	1								
39	564226	Plug			2	2								
40	564215	O--ring			1	1								
41	564247	Cylinder rod			1	1								
42	564216	O--ring			1	1								
43	564246	Cylinder piston			1	1								
44	564214	O--ring			1	1								
45	563501	Protection plate			1	1								
46	564074	Screw			4	4								
47	564243	Rod			1	1								
48	552523	Slide block			2	2								
49	552532	Fork			1	1								
50	477474	Seal			1	1								
52	552510	Seal			2	2								

68.00

			QTY./MODEL				4 AA							
3/3	KD HAWK, GEARBOX, HYDROSTATIC, 2--SPEED REDUCTION		1- 30-2 T 2- 30-4 T 3- 30-2 TH 4- 30-4 TH											
ITEM	PART NO.	DESCRIPTION	1	2	3	4	5	6	7	8	9	10	11	12
53	133027	O--ring			2	2								
56	133276	Plug			1	1								
57	477473	O--ring			1	1								
58	552528	Cover			1	1								
61	108556	Washer			22	22								
62	496430	Input shaft (GEARBOX 801992, 6K & 8K)			1	1								
63	564242	Gear (GEARBOX 801992, 6K & 8K)			1	1								
64	496431	Gear (GEARBOX 801992, 6K & 8K)			1	1								
65	801992	Complete reduction gearbox (6K & 8K)			1	1								
66	600594	Cover (Gearbox Serial No. Z. ITA. 739547 and above)			1	1								
													68.00	

7 AA

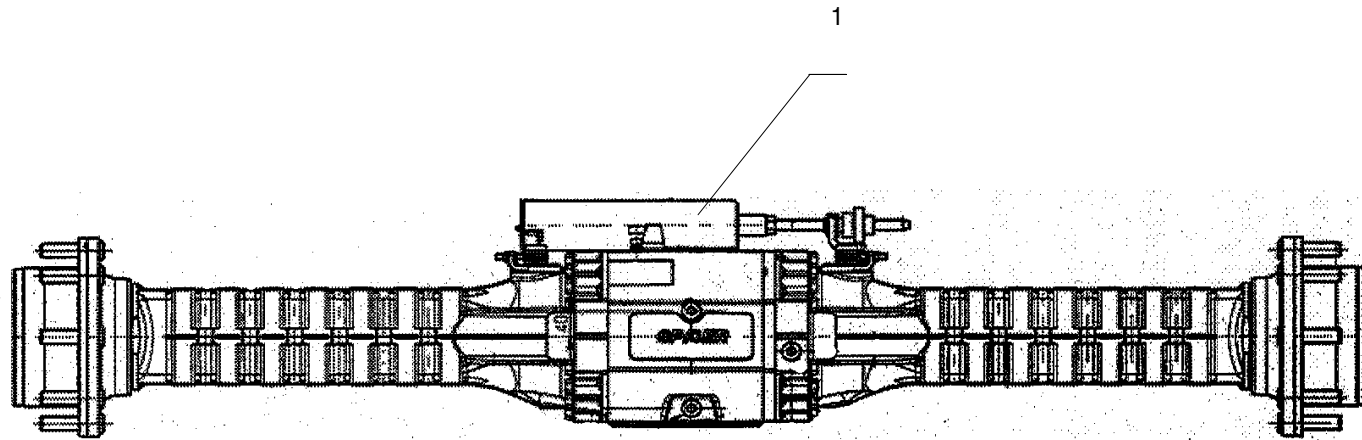
DRIVE AXLE, FRONT

30-2T

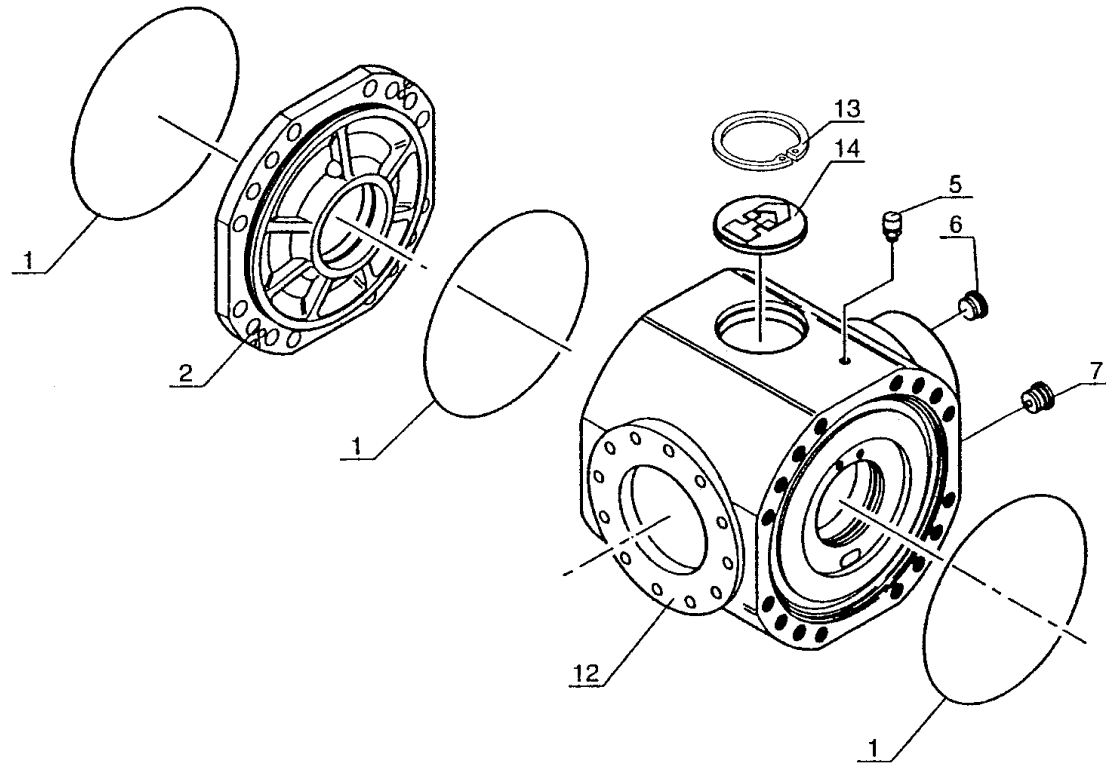
30-4T

30-2T H

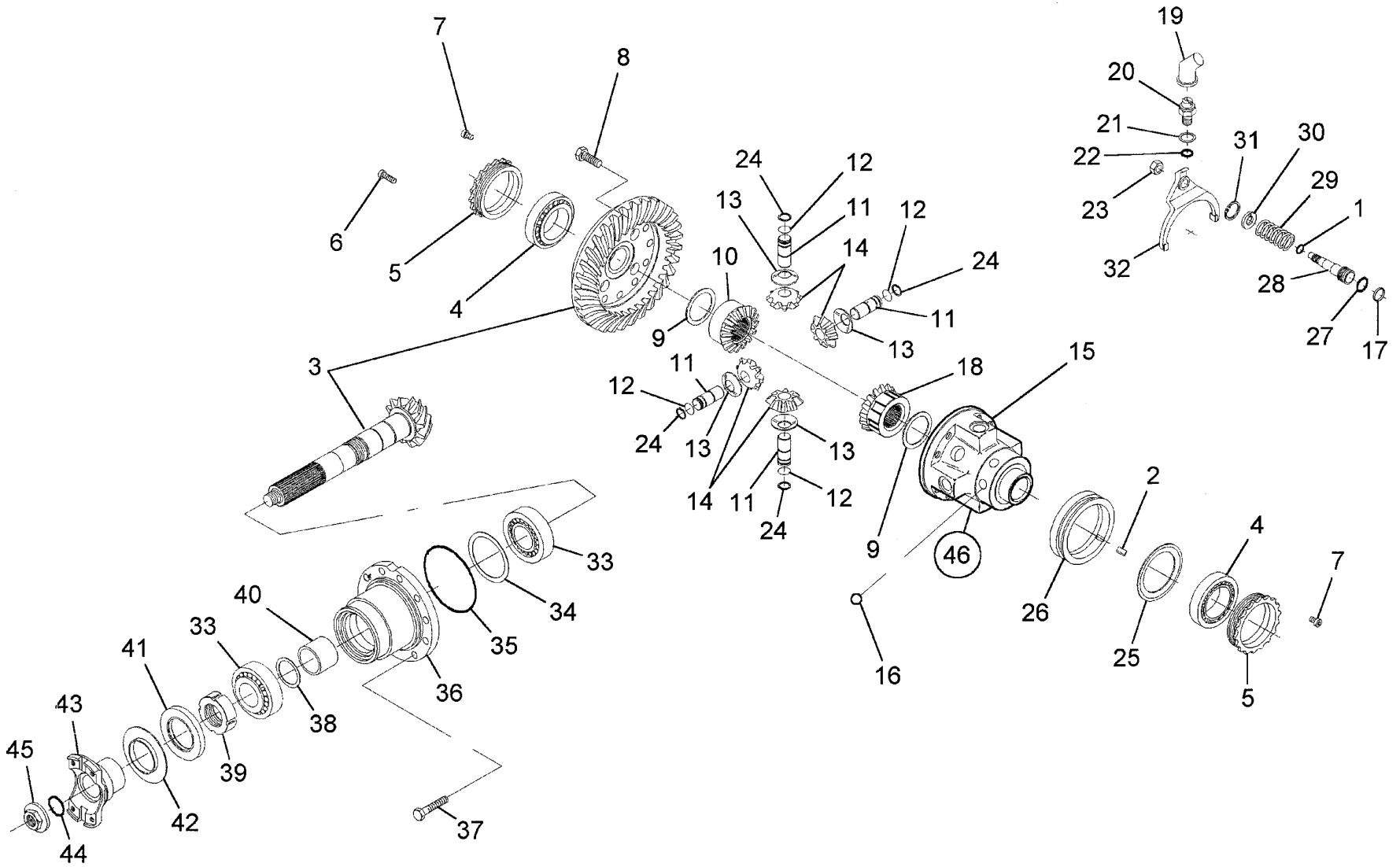
30-4T H



			QTY./MODEL				7 AA							
1/1		DRIVE AXLE, FRONT	1- 30-2 T 2- 30-4 T 3- 30-2 TH 4- 30-4 TH											
ITEM	PART NO.	DESCRIPTION	1	2	3	4	5	6	7	8	9	10	11	12
1	807371	Drive axle, front	1	1	1	1								
													69.00	



			QTY./MODEL				7 AA							
1/1	DRIVE AXLE, FRONT, CASING		1- 30-2 T 2- 30-4 T 3- 30-2 TH 4- 30-4 TH											
ITEM	PART NO.	DESCRIPTION	1	2	3	4	5	6	7	8	9	10	11	12
1	106533	O--ring	3	3	3	3								
2	562531	Housing	1	1	1	1								
5	562470	Air breather	1	1	1	1								
6	603638	Plug	1	1	1	1								
7	603639	Magnetic plug	1	1	1	1								
12	496425	Central casing	1	1	1	1								
13	133044	Circlip	1	1	1	1								
14	602293	Plug	1	1	1	1								
													70.00	



		QTY./MODEL				7 AA											
1/2		DRIVE AXLE, FRONT, DIFFERENTIAL				1- 30-2 T 2- 30-4 T 3- 30-2 TH 4- 30-4 TH											
ITEM	PART NO.	DESCRIPTION				1	2	3	4	5	6	7	8	9	10	11	12
1	601945	Circlip				1	1	1	1								
2	601935	Key				1	1	1	1								
3	601558	Bevel gear set				1	1	1	1								
4	106550	Tapered roller bearing				2	2	2	2								
5	562474	Ring nut				2	2	2	2								
6	133186	Bolt				4	4	4	4								
7	109912	Bolt				2	2	2	2								
8	601243	Bolt				12	12	12	12								
9	562476	Washer				2	2	2	2								
10	562477	Differential side gear				2	2	2	2								
11	562478	Pin				4	4	4	4								
12	562479	Circlips				4	4	4	4								
13	562480	Washer				4	4	4	4								
14	562481	Differential pinion				4	4	4	4								
15	603310	Differential carrier				1	1	1	1								
16	601941	Detend ball				6	6	6	6								
17	601943	Ring				1	1	1	1								
18	601937	Differential side gear				1	1	1	1								
19	603311	Boot				1	1	1	1								
20	603303	Security switch				1	1	1	1								
21	477474	Washer, lock				1	1	1	1								
22	477473	O--ring				1	1	1	1								
23	601949	Nut				1	1	1	1								
24	562486	Circlips				4	4	4	4								
25	603312	Sheet				1	1	1	1								
26	601998	Selector				1	1	1	1								
27	477693	O--ring				1	1	1	1								
28	601944	Piston				1	1	1	1								

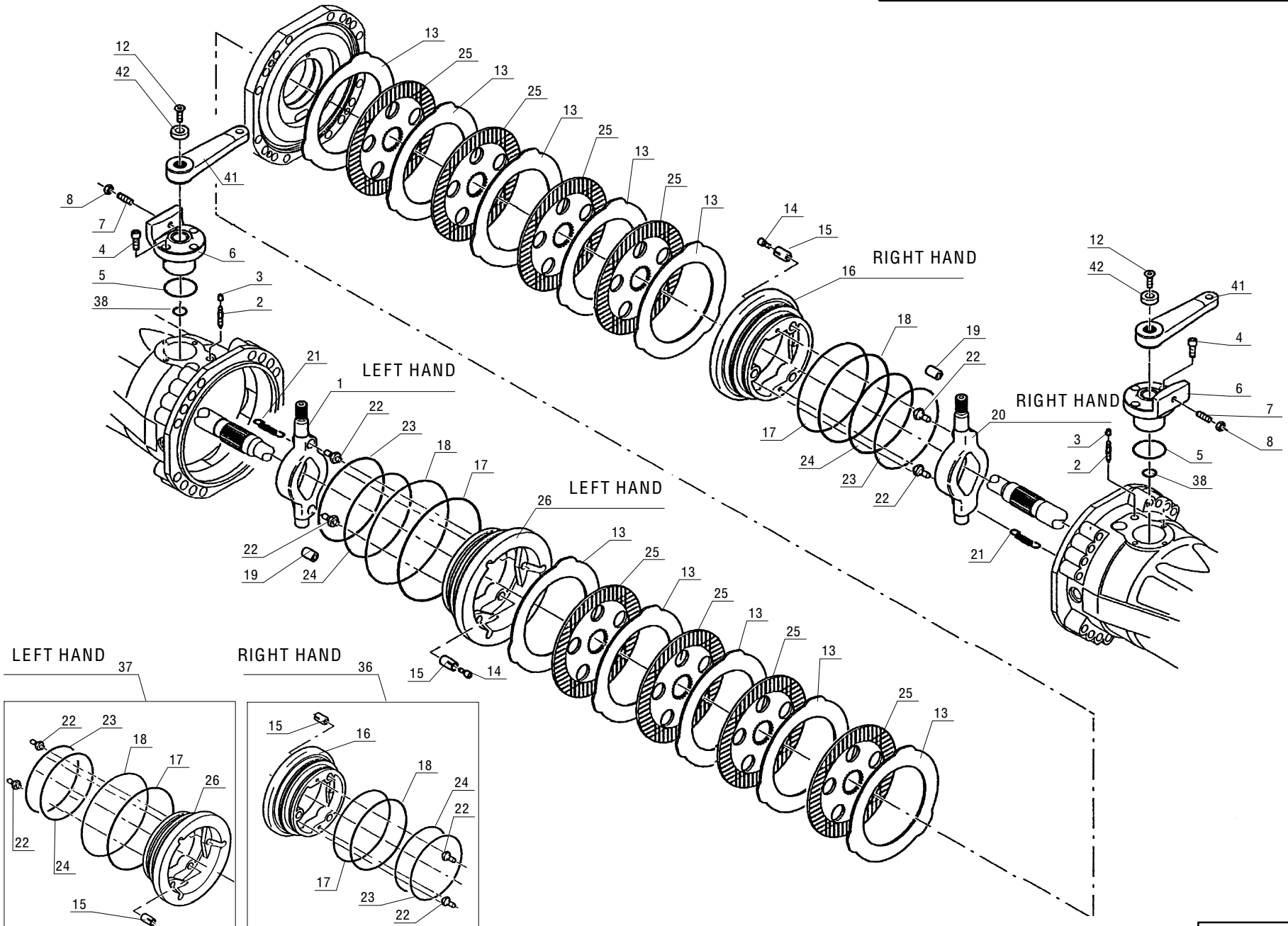
71.00

				QTY./MODEL				7 AA							
2/2		DRIVE AXLE, FRONT, DIFFERENTIAL		1- 30-2 T 2- 30-4 T 3- 30-2 TH 4- 30-4 TH											
ITEM	PART NO.	DESCRIPTION		1	2	3	4	5	6	7	8	9	10	11	12
29	601946	Spring		1	1	1	1								
30	601947	Plug		1	1	1	1								
31	601948	Circlip		1	1	1	1								
32	601950	Selector fork		1	1	1	1								
33	133069	Tapered roller bearing		2	2	2	2								
34	474298	Shim .20mm (.008 in)		A/R	A/R	A/R	A/R								
34	474300	Shim .30mm (.012 in)		A/R	A/R	A/R	A/R								
34	551615	Shim .15mm (.006 in)		A/R	A/R	A/R	A/R								
34	552516	Shim .10mm (.004 in)		A/R	A/R	A/R	A/R								
35	562265	O--ring		1	1	1	1								
36	602780	Cover		1	1	1	1								
37	133173	Bolt		12	12	12	12								
38	550556	Shim .15mm (.006 in)		A/R	A/R	A/R	A/R								
38	550557	Shim .20mm (.008 in)		A/R	A/R	A/R	A/R								
38	551616	Shim .40mm (.016 in)		A/R	A/R	A/R	A/R								
38	552517	Shim .50mm (.020 in)		A/R	A/R	A/R	A/R								
39	133570	Ring nut		1	1	1	1								
40	562483	Spacer		1	1	1	1								
41	107293	Seal		1	1	1	1								
42	107294	Cover plate		1	1	1	1								
43	563904	Flange		1	1	1	1								
44	562472	O--ring		1	1	1	1								
45	562485	Nut		1	1	1	1								
46	603313	Differential (Items: 9 -- 15, 18 & 24)		1	1	1	1								

71.00

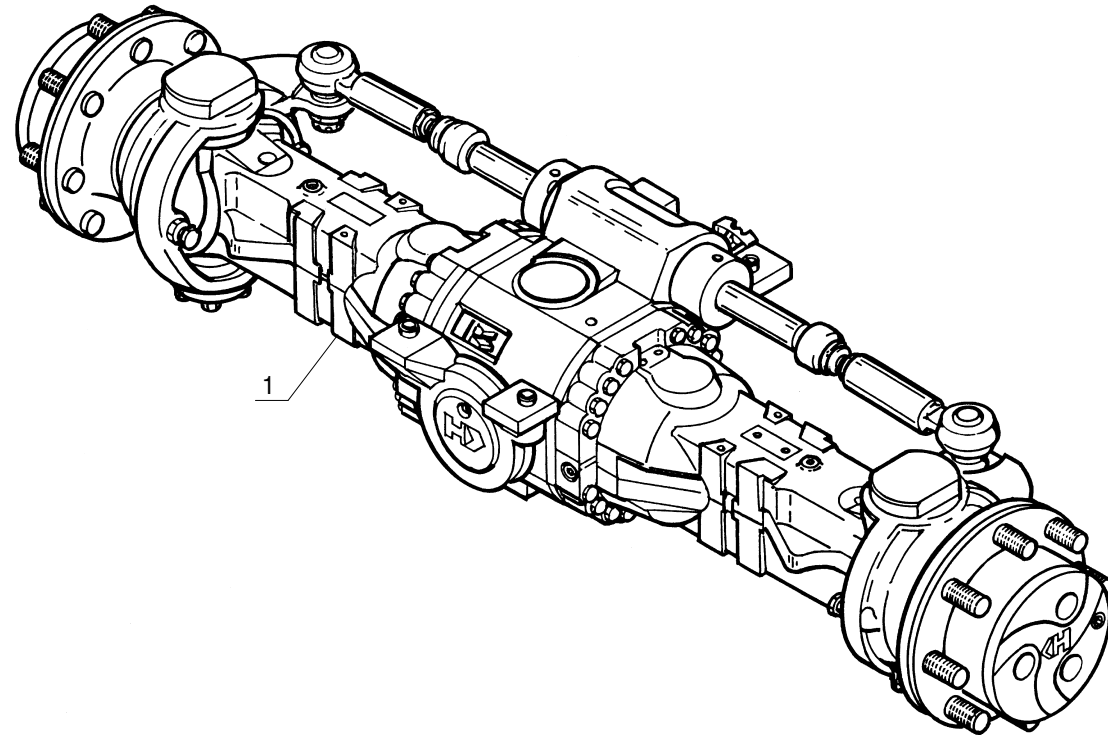
		QTY./MODEL				7 AA								
1/1		DRIVE AXLE, FRONT, REDUCTION GEAR				1- 30-2 T 2- 30-4 T 3- 30-2 TH 4- 30-4 TH								
ITEM	PART NO.	DESCRIPTION	1	2	3	4	5	6	7	8	9	10	11	12
1	602787	Lateral axel case	2	2	2	2								
2	562490	Washer	32	32	32	32								
3	702138	Bolt	32	32	32	32								
4	603638	Plug	4	4	4	4								
5	603639	Magnetic plug	2	2	2	2								
6	604656	Seal	2	2	2	2								
7	602788	Drive shaft	2	2	2	2								
8	106080	Wheel stud	16	16	16	16								
9	601246	Wheel hub	2	2	2	2								
10	106533	O--ring	2	2	2	2								
11	562504	Bearing	4	4	4	4								
12	562514	Circlips	2	2	2	2								
13	564133	Gear ring	2	2	2	2								
14	565998	Ring gear bracket	2	2	2	2								
15	562515	Locking plate	2	2	2	2								
16	562508	Circlips	8	8	8	8								
17	562509	Planet wheel	8	8	8	8								
18	562510	Bearing	8	8	8	8								
19	109480	Wheel nut	16	16	16	16								
20	602789	Seal	2	2	2	2								
22	600670	Screw	4	4	4	4								
23	603316	Planet wheel bracket	2	2	2	2								
24	562513	Nut	16	16	16	16								
25	562512	Stud, bolt	16	16	16	16								
26	603640	Washer	2	2	2	2								
30	603317	Planet wheel bracket kit	2	2	2	2								

72.00



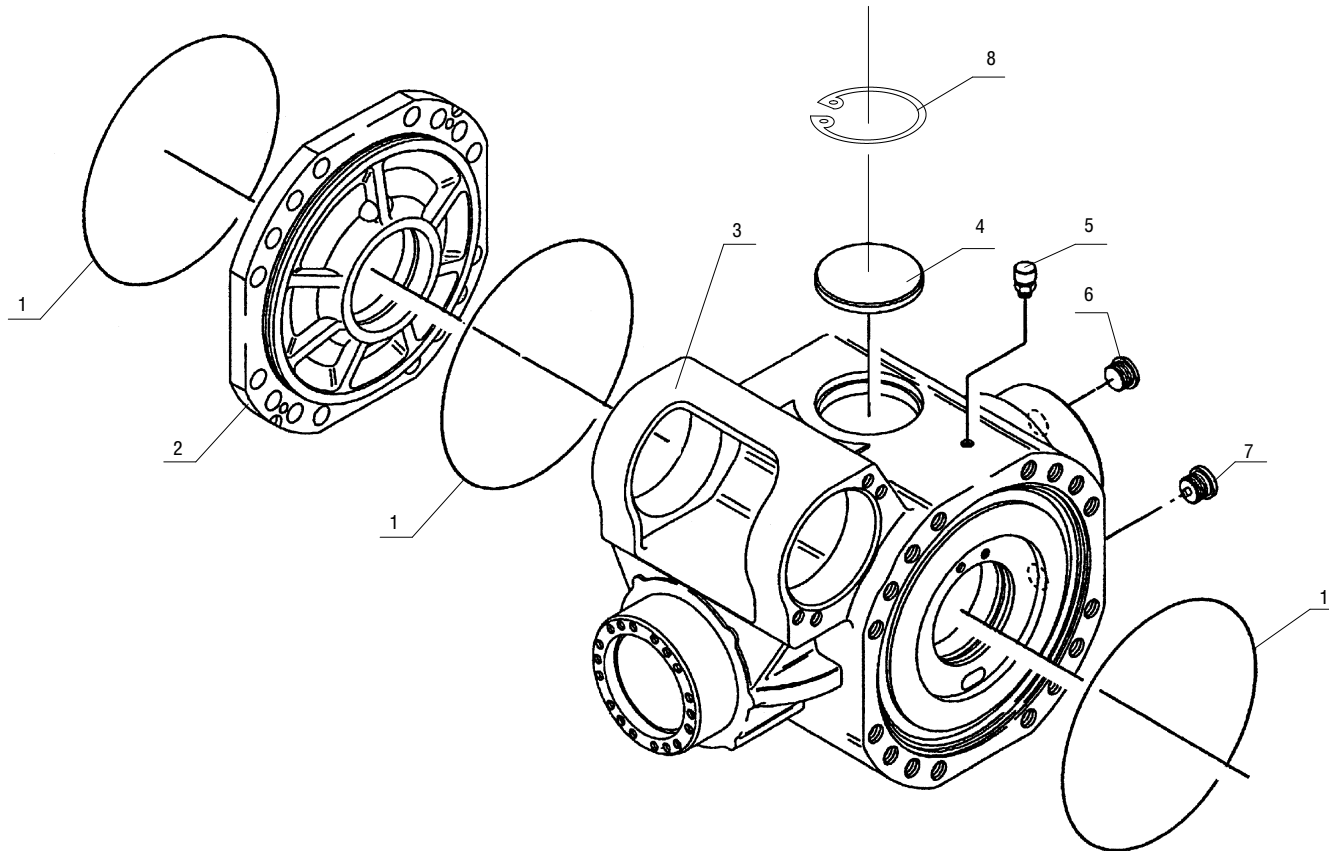
		QTY./MODEL				6 BA											
1/1		DRIVE AXLE, FRONT, DISC BRAKES				1- 30-2 T 2- 30-4 T 3- 30-2 TH 4- 30-4 TH											
ITEM	PART NO.	DESCRIPTION				1	2	3	4	5	6	7	8	9	10	11	12
1	562547	Lever, LH			1	1											
2	106010	Bleeder screw			2	2	2	2									
3	107796	Plug			2	2	2	2									
4	562548	Screw			6	6	6	6									
5	475059	O--ring			2	2	2	2									
6	602218	Reduction bushing			2	2	2	2									
7	562550	Needle valve			2	2	2	2									
8	133088	Nut			2	2	2	2									
12	133199	Screw			2	2	2	2									
13	562525	Intermediate disc			10	10	10	10									
14	564234	Adjusting screw			6	6	6	6									
15	602296	Spring			6	6	6	6									
16	563905	Piston			1	1	1	1									
17	562521	Anti--extrusion seal			2	2	2	2									
18	562522	O--ring			2	2	2	2									
19	107751	Centering pin			2	2	2	2									
20	562554	Lever, RH			1	1	1	1									
21	562520	Spring			6	6	6	6									
22	107286	Needle valve			4	4	4	4									
23	562523	Anti--extrusion seal			2	2	2	2									
24	562524	O--ring			2	2	2	2									
25	562516	Brake disc			8	8	8	8									
26	563906	Piston			1	1	1	1									
36	600582	Piston kit			1	1	1	1									
37	600558	Piston kit			1	1	1	1									
38	602007	O--ring			2	2	2	2									
41	604253	Lever			2	2	2	2									
42	106567	Spacer			2	2	2	2									

73.00



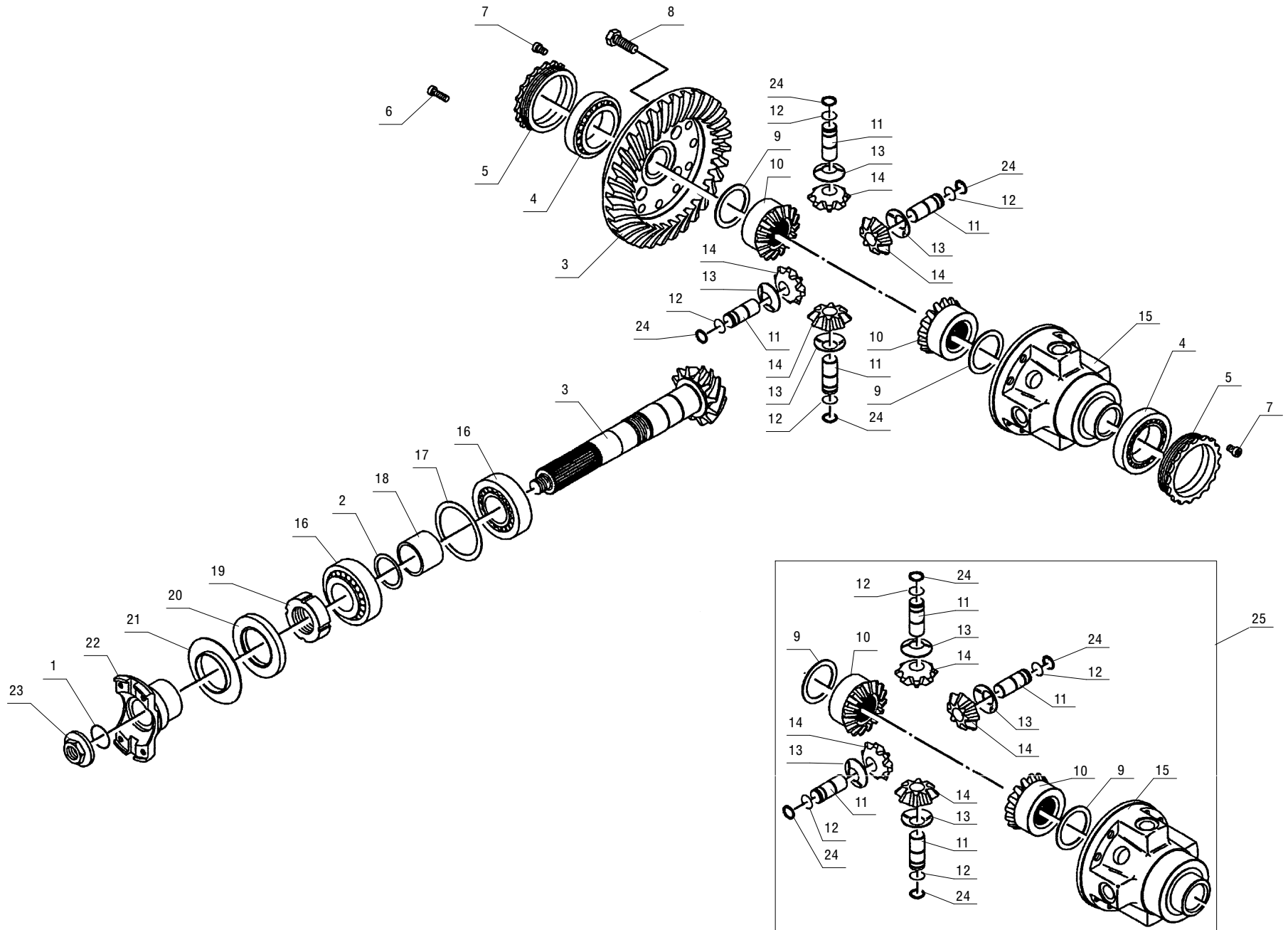
		QTY./MODEL		7 AA											
1/1		KD HAWK, STEER AXLE, 4WD		1- 30-2 T 2- 30-4 T 3- 30-2 TH 4- 30-4 TH											
ITEM	PART NO.	DESCRIPTION		1	2	3	4	5	6	7	8	9	10	11	12
1	247289	Steer axle, 4WD (4--SPEED MODELS)			1										
1	804064	Steer axle, 4WD (HYDROSTATIC MODELS)					1								

74.00



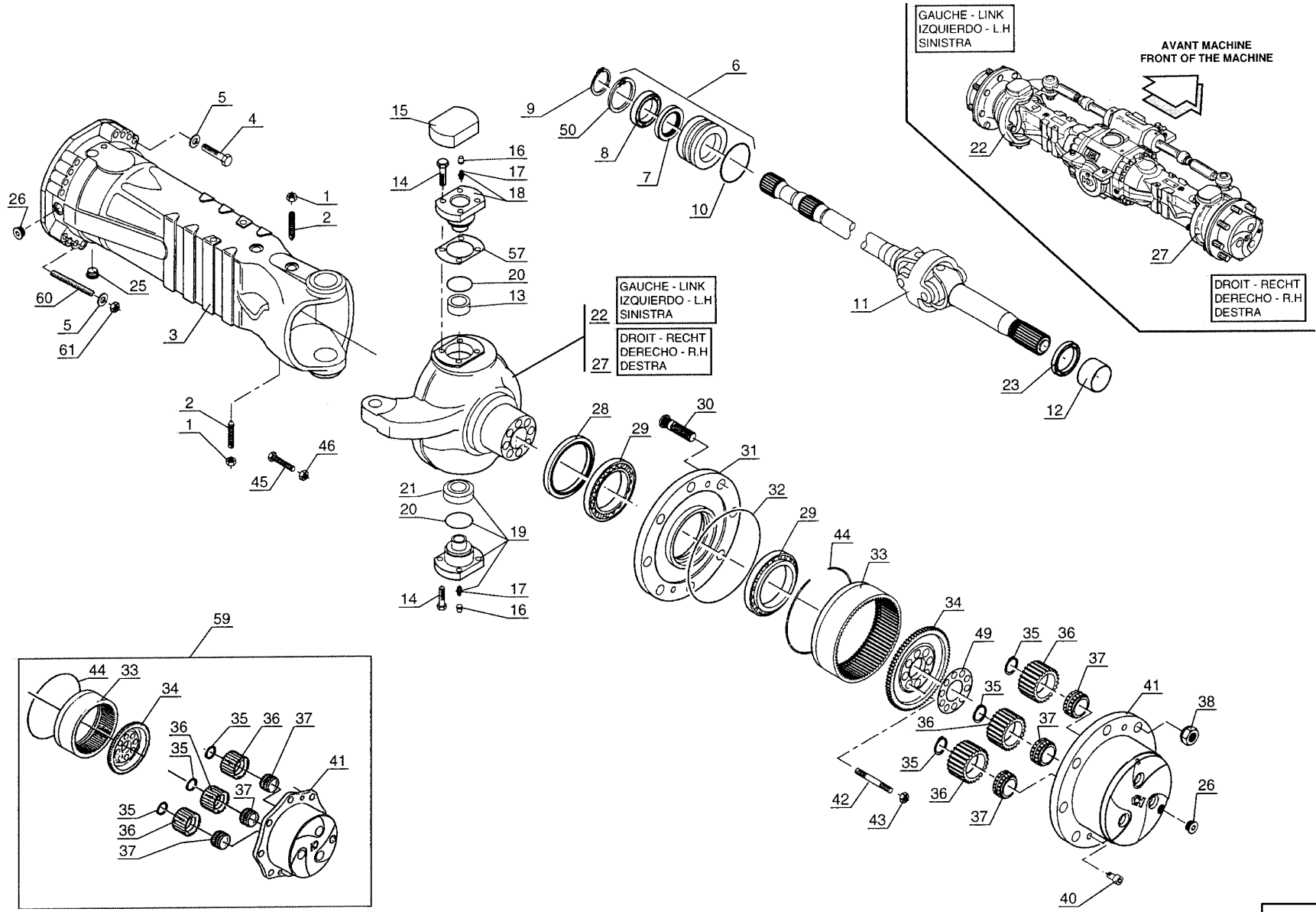
		QTY./MODEL				7 AA							
1/1		KD HAWK, STEER AXLE CASING, 4WD				1- 30-2 T 2- 30-4 T 3- 30-2 TH 4- 30-4 TH							
ITEM	PART NO.	DESCRIPTION											
		1	2	3	4	5	6	7	8	9	10	11	12
1	106533		3		3								
2	562531		1		1								
3	562469		1										
3	603821				1								
4	600549		1										
4	602293				1								
5	562470		1		1								
6	603638		1		1								
7	603639		1		1								
8	133044				1								

75.00



		QTY./MODEL		7 AA											
1/2		KD HAWK, STEER AXLE DIFFERENTIAL, 4WD		1- 30-2 T 2- 30-4 T 3- 30-2 TH 4- 30-4 TH											
ITEM	PART NO.	DESCRIPTION		1	2	3	4	5	6	7	8	9	10	11	12
1	562472	O--ring			1		1								
2	550556	Shim .15mm (.006 in)			A/R		A/R								
2	550557	Shim .20mm (.008 in)			A/R		A/R								
2	551616	Shim .40mm (.016 in)			A/R		A/R								
2	552517	Shim .50mm (.020 in)			A/R		A/R								
3	603648	Bevel drive gear			1		1								
4	106550	Bearing			2		2								
5	562474	Nut			2		2								
6	133186	Screw			4		4								
7	109912	Screw			2		2								
8	601243	Screw			12		12								
9	562476	Washer			2		2								
10	562477	Planetary			2		2								
11	562478	Axle			4		4								
12	562479	Circlips			4		4								
13	562480	Washer			4		4								
14	562481	Planet wheel			4		4								
15	562482	Differential housing			1		1								
16	133069	Bearing			2		2								
17	474298	Shim .20mm (.008 in)			A/R		A/R								
17	474300	Shim .30mm (.012 in)			A/R		A/R								
17	551615	Shim .15mm (.006 in)			A/R		A/R								
17	552516	Shim .10mm (.004 in)			A/R		A/R								
18	562483	Spacer			1		1								
19	133570	Nut			1		1								
20	107293	Seal			1		1								

76.00



			QTY./MODEL				7 AA							
1/3	KD HAWK, STEER AXLE REDUCTION GEAR, 4WD		1- 30-2 T 2- 30-4 T 3- 30-2 TH 4- 30-4 TH											
ITEM	PART NO.	DESCRIPTION	1	2	3	4	5	6	7	8	9	10	11	12
1	133090	Nut		2		2								
2	562750	Screw		2		2								
3	603649	Lateral axle case		2		2								
4	562489	Bolt (STEER AXLE 247289)		28										
4	702138	Bolt (STEER AXLE 804064)				28								
5	562490	Washer		32		32								
6	563903	Flange		2		2								
7	108100	Seal		2		2								
8	105101	Bearing		2		2								
9	105424	Circlips		2		2								
10	562752	O--ring		2		2								
11	603650	Axle, Cardan		2		2								
12	477847	Bushing		2		2								
13	603651	Bushing		2		2								
14	562475	Screw		20		20								
15	600559	Cover		2		2								
16	107796	Plug		4		4								
17	133103	Greaser		4		4								
18	564903	Pivot pin		2		2								
19	564898	Pivot pin		2		2								
20	562499	Seal		4		4								
21	562500	Bushing		2		2								
22	603652	LH steering case (STEER AXLE 247289)		1										
22	496428	LH steering case (STEER AXLE 804064)		1		1								
23	603653	Seal		2		2								
25	603639	Magnetic plug		2		2								
26	603638	Plug		4		4								
27	603654	RH steering case (STEER AXLE 247289)		1										
27	496429	RH steering case (STEER AXLE 804064)				1								

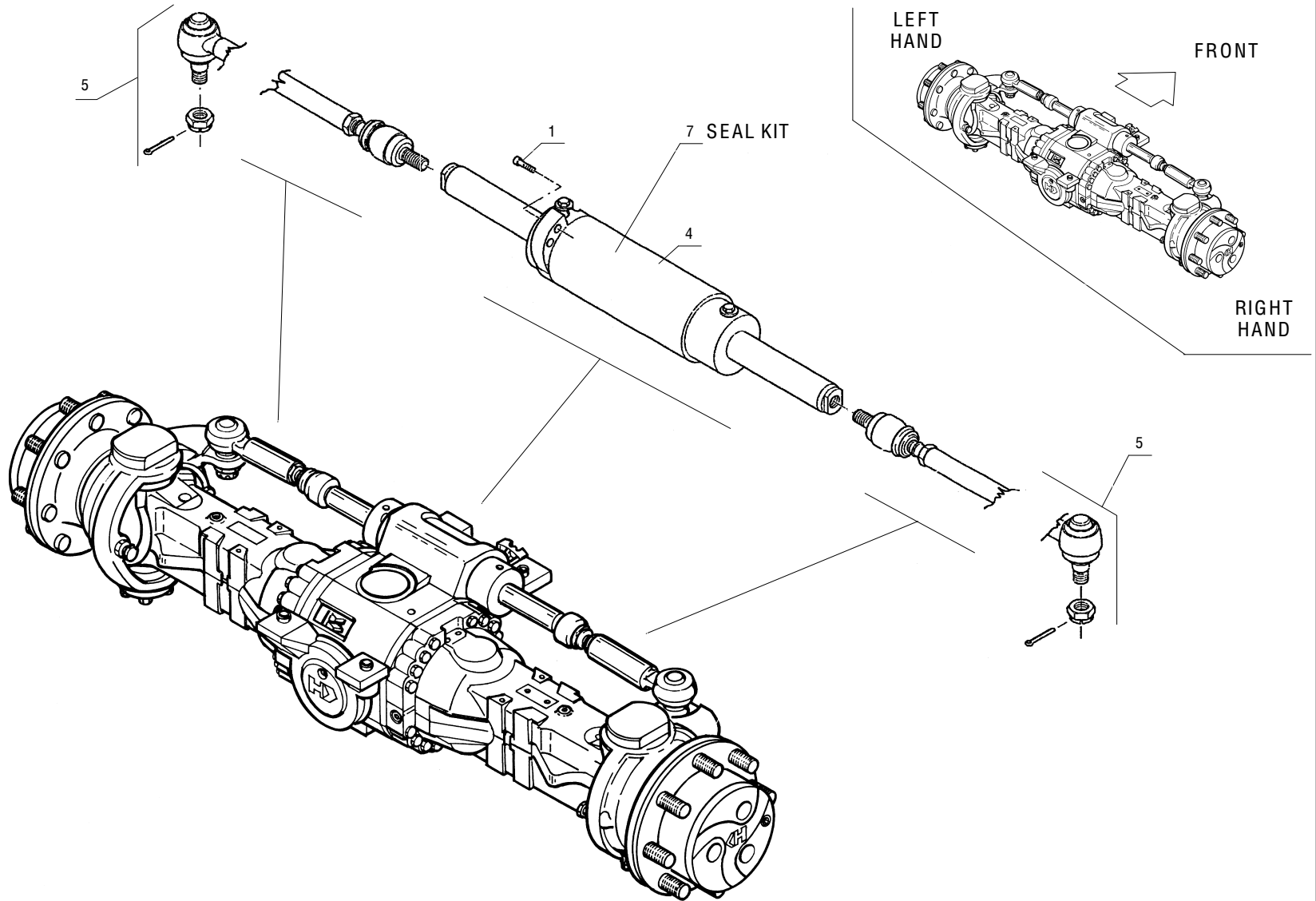
77.00

				QTY./MODEL				7 AA							
2/3		KD HAWK, STEER AXLE REDUCTION GEAR, 4WD		1- 30-2 T 2- 30-4 T 3- 30-2 TH 4- 30-4 TH											
ITEM	PART NO.	DESCRIPTION		1	2	3	4	5	6	7	8	9	10	11	12
28	562503	Seal (STEER AXLE 247289)			2										
28	604656	Seal (STEER AXLE 804064)					2								
29	562504	Bearing			4		4								
30	473575	Wheel stud			16		16								
31	601246	Wheel hub			2		2								
32	106533	O--ring			2		2								
33	564133	Gear ring			2		2								
34	565998	Ring gear bracket			2		2								
35	562508	Circlips			6		6								
36	562509	Planet wheel			6		6								
37	562510	Bearing			6		6								
38	247292	Wheel nut			16		16								
40	600670	Screw			4		4								
41	602220	Planet gear carrier (STEER AXLE 247289)			2										
41	604252	Planet gear carrier (STEER AXLE 804064)					2								
42	562512	Stud, bolt			16		16								
43	562513	Nut			16		16								
44	562514	Circlips			2		2								
45	474312	Adjusting screw (STEER AXLE 247289)			4										
45	602219	Adjusting screw (STEER AXLE 804064)					4								
46	474313	Nut			4		4								
49	562515	Locking plate			2		2								
50	133044	Circlips			2		2								
57	564679	Shim .15mm (.006 in) (STEER AXLE 247289)			A/R										
57	564680	Shim .20mm (.008 in) (STEER AXLE 247289)			A/R										
57	564681	Shim .50mm (.020 in) (STEER AXLE 247289)			A/R										

77.00

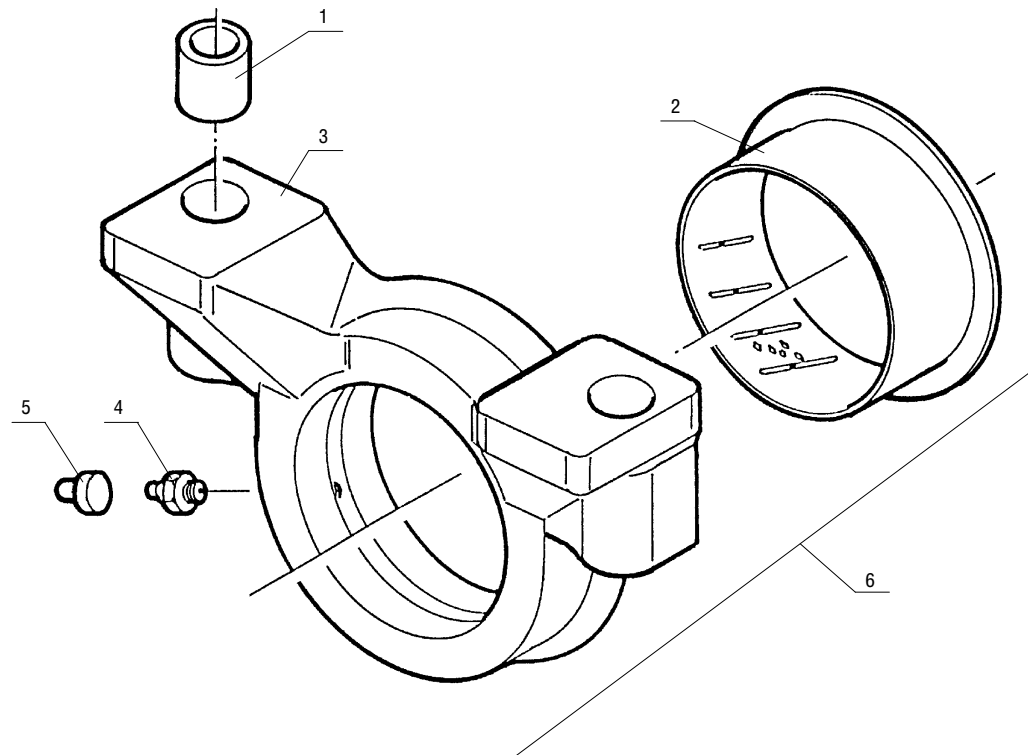
				QTY./MODEL				7 AA							
3/3		KD HAWK, STEER AXLE REDUCTION GEAR, 4WD		1- 30-2 T 2- 30-4 T 3- 30-2 TH 4- 30-4 TH											
ITEM	PART NO.	DESCRIPTION		1	2	3	4	5	6	7	8	9	10	11	12
57	604854	Shim .15mm (.006 in) (STEER AXLE 804064)					A/R								
57	702059	Shim .20mm (.008 in) (STEER AXLE 804064)					A/R								
57	702060	Shim .50mm (.020 in) (STEER AXLE 804064)					A/R								
59	602190	Planet wheel bracket (STEER AXLE 247289)			1										
59	603723	Planet wheel bracket (STEER AXLE 804064)					1								
60	603655	Stud, bolt			4		4								
61	602275	Nut 4			4		4								

77.00

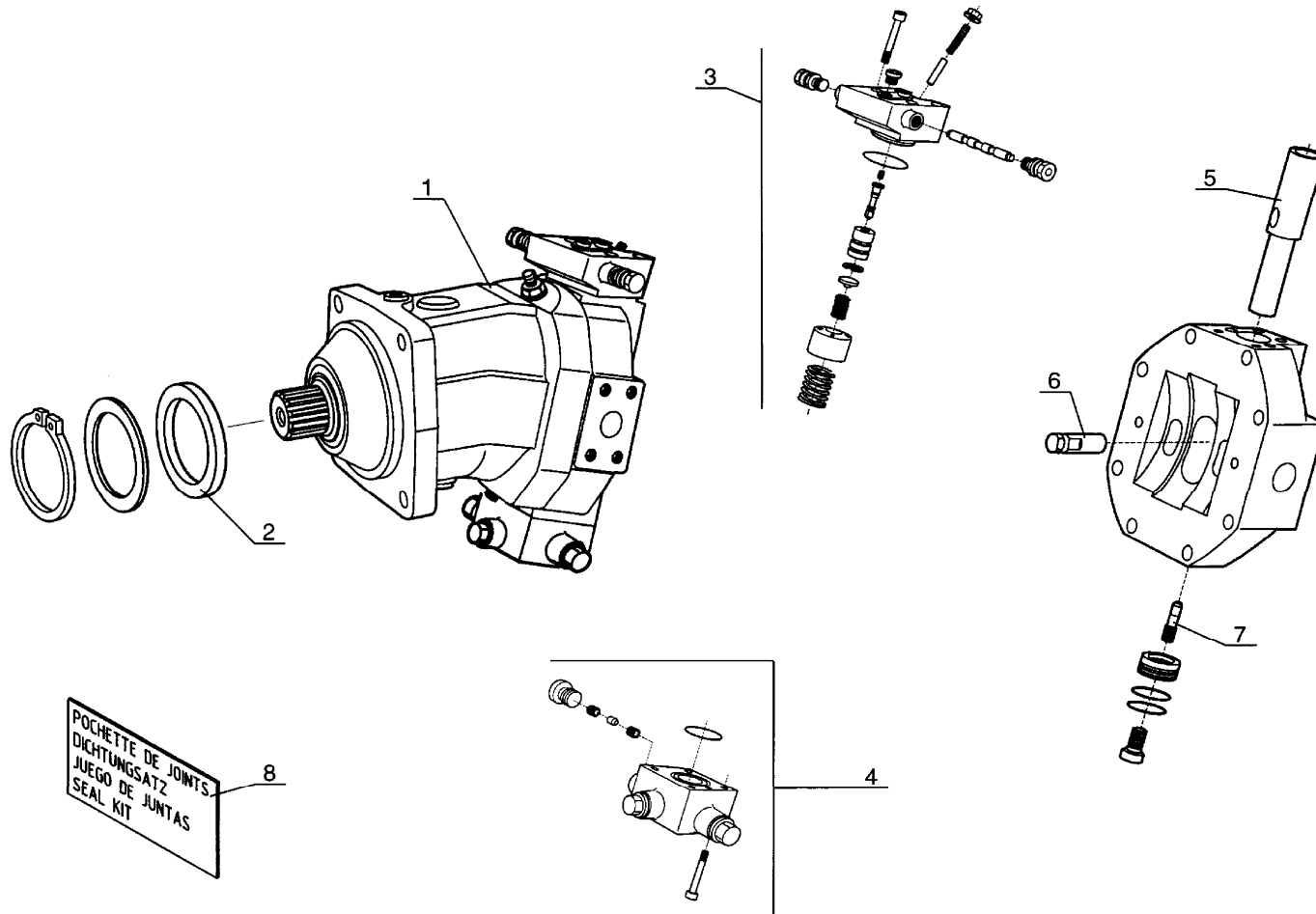


		QTY./MODEL				7 AA							
1/1		KD HAWK, STEERING CYLINDER, 4WD				1- 30-2 T 2- 30-4 T 3- 30-2 TH 4- 30-4 TH							
ITEM	PART NO.	DESCRIPTION											
		1	2	3	4	5	6	7	8	9	10	11	12
1	562526	Screw											
4	603656	Steering cylinder (STEER AXLE 247289)											
4	702067	Steering cylinder (STEER AXLE 804064)											
5	603657	Linked tie rod											
7	603681	Seal kit (STEER AXLE 247289)											
7	702147	Seal kit (STEER AXLE 804064)											

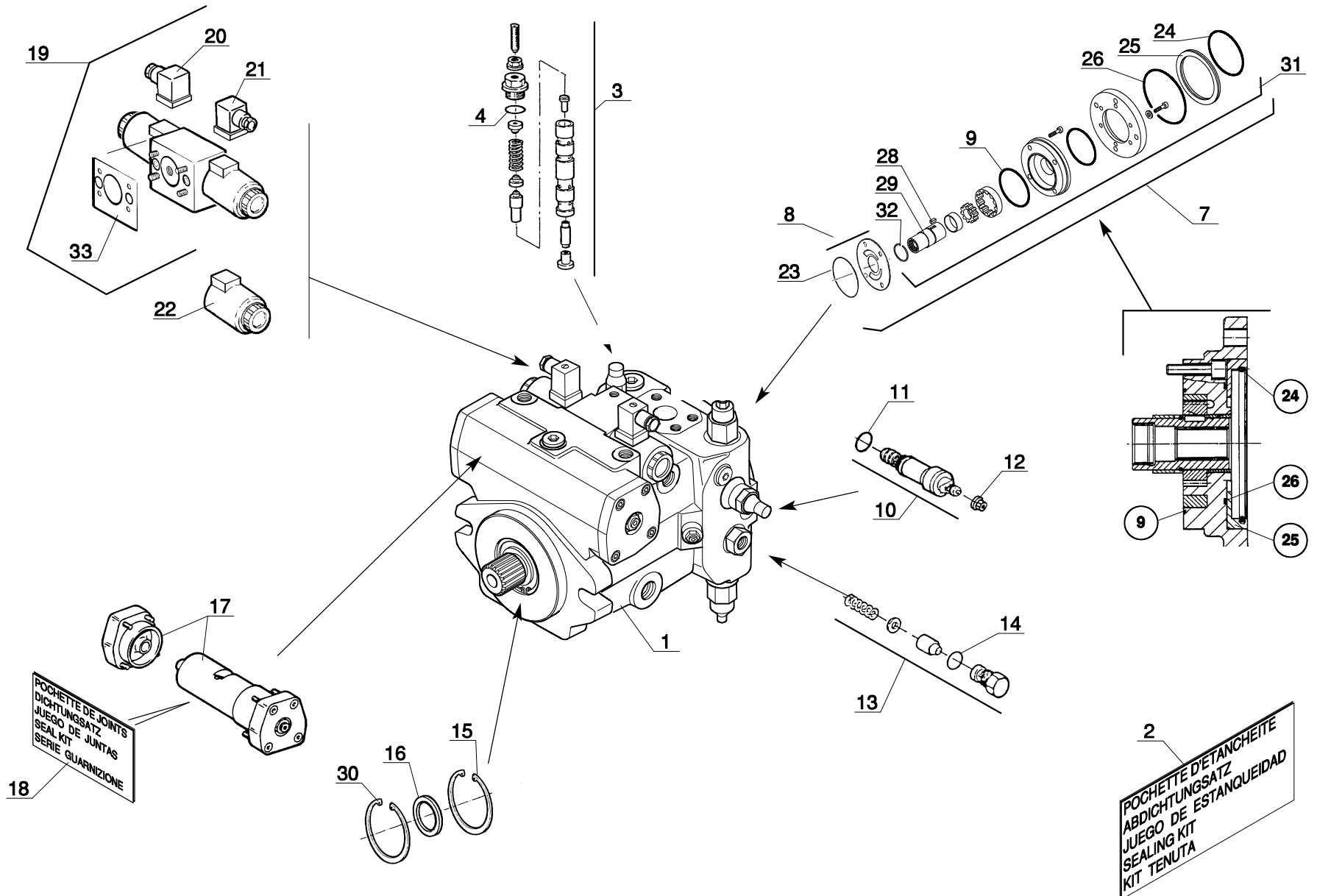
78.00



		QTY./MODEL				7 AA											
1/1		KD HAWK, STEER AXLE SUPPORT BRACKET, 4WD				1- 30-2 T 2- 30-4 T 3- 30-2 TH 4- 30-4 TH											
ITEM	PART NO.	DESCRIPTION				1	2	3	4	5	6	7	8	9	10	11	12
1	477964	Coupling					4		4								
2	477538	Bushing					2		2								
3	564693	Axle bracket					2		2								
4	133103	Greaser					2		2								
5	107796	Plug					2		2								
6	601561	Axle bracket					2		2								
															79.00		



		QTY./MODEL		4 AB											
1/1		KD HAWK, HYDROSTATIC MOTOR		1- 30-2 T 2- 30-4 T 3- 30-2 TH 4- 30-4 TH											
ITEM	PART NO.	DESCRIPTION		1	2	3	4	5	6	7	8	9	10	11	12
1	208701	Hydrostatic pump assembly				1	1								
2	561198	Seal				1	1								
3	561187	Control parts				1	1								
4	552608	Flushing and boost pressure valve				1	1								
5	562317	Piston				1	1								
6	562318	Swivel pin				1	1								
7	562319	Screw				1	1								
8	562320	Seal kit				1	1								
													80.00		



ITEM	PART NO.	DESCRIPTION	QTY./MODEL														
			1	2	3	4	5	6	7	8	9	10	11	12			
1/1		KD HAWK, TRANSMISSION, HYDROSTATIC PUMP	1- 30-2 T 2- 30-4 T 3- 30-2 TH 4- 30-4 TH														
1	807801	Hydrostatic pump, complete			1	1											
2	603534	Seal kit			1	1											
3	552629	Valve			1	1											
4	201149	O--ring			1	1											
7	602061	Boost pump			1	1											
8	601589	Friction lining			1	1											
9	201198	Seal			1	1											
10	458502	Control valve			1	1											
11	401831	O--ring			1	1											
12	409248	Nut			1	1											
13	601590	Relief valve			1	1											
14	601594	O--ring			1	1											
15	552634	Circlips			1	1											
16	602062	Seal			1	1											
17	601593	Positioning piston			1	1											
18	601597	Seal kit			1	1											
19	602063	Valve bank			1	1											
20	58112	Connnection test			1	1											
21	58113	Connection test			1	1											
22	602064	Solenoid			2	2											
23	201198	Seal			1	1											
24	474783	O--ring			1	1											
25	552622	Bushing			1	1											
26	201199	O--ring			1	1											
28	600525	Key			1	1											

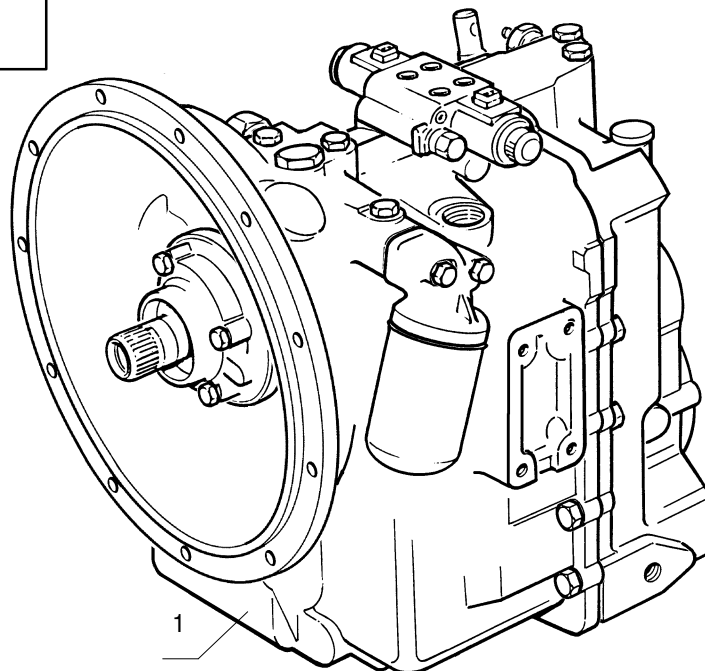
81.00

SAMPLE 2WD TRANSMISSION ID PLATE



NOTE:
BEFORE ORDERING TRANSMISSION PARTS RECORD ALL INFORMATION STAMPED ON THE ID PLATE.

SEE **4AA606** FOR DIPSTICK ASSEMBLY



			QTY./MODEL				4 AD							
1/1	KD HAWK TRANSMISSION, 4--SPEED, 2WD TRANSMISSION REF: 222572 TYPE: 15984		1- 30-2 T 2- 30-4 T 3- 30-2 TH 4- 30-4 TH											
ITEM	PART NO.	DESCRIPTION	1	2	3	4	5	6	7	8	9	10	11	12
1	222572	Gear box, complete	1											
													82.00	

JUSQU' A LA BOITE DE VITESSES
BIS DER GETRIEBEKASTEN
HASTA LA CAJA DE VELOCIDADES
UP TO GEAR BOX
FINO CAMBIO

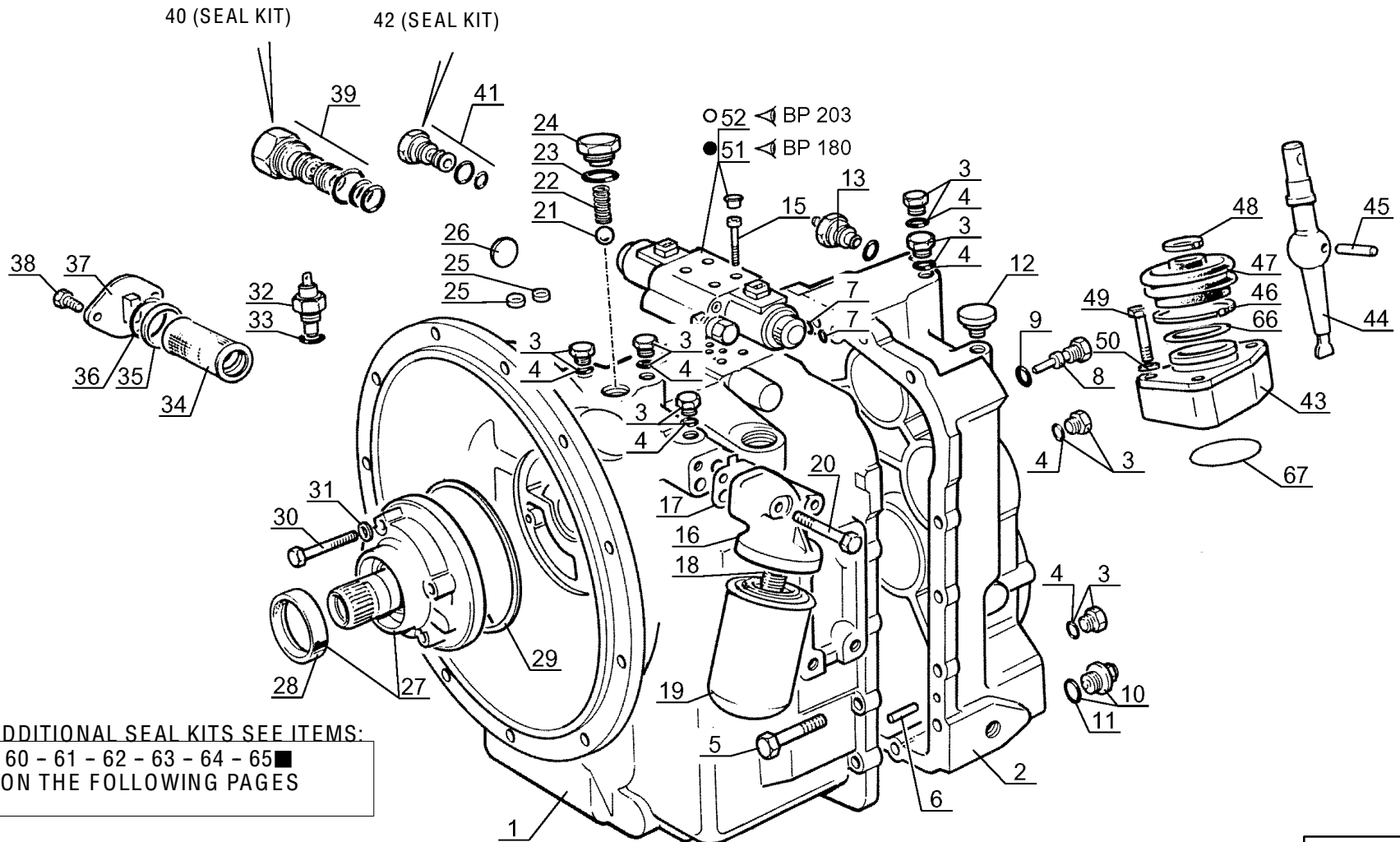
A PARTIR DE LA BOITE DE VITESSES
AB DER GETRIEBEKASTEN
A PARTIR DE LA CAJA DE VELOCIDADES
FROM GEAR BOX
A PARTIR DEL CAMBIO

●→ N°: 2638

○→ N°: 2639

■→ N°: 2725

NOTE: RECORD ID PLATE INFO BEFORE ORDERING PARTS. SEE BP177



FOR ADDITIONAL SEAL KITS SEE ITEMS:
60 - 61 - 62 - 63 - 64 - 65 ■
ON THE FOLLOWING PAGES

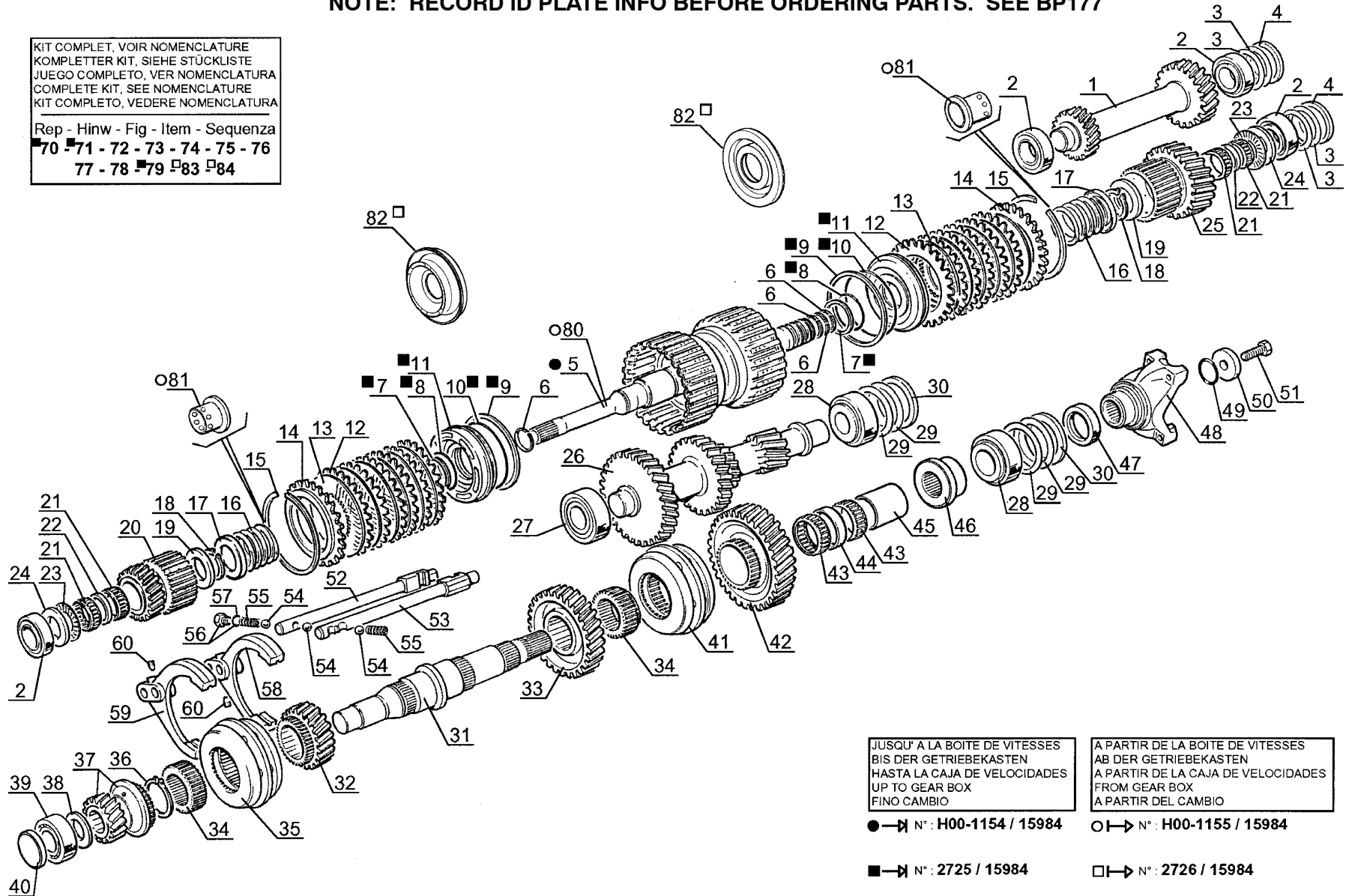
		QTY./MODEL										4 AD		
1/2		KD HAWK, TRANSMISSION, 4--SPEED, 2WD, EXTERNAL COMPONENTS TRANSMISSION REF: 222572 TYPE: 15984										1- 30-2 T 2- 30-4 T 3- 30-2 TH 4- 30-4 TH		
ITEM	PART NO.	DESCRIPTION	1	2	3	4	5	6	7	8	9	10	11	12
1	561840	Transmission housing	1											
2	561841	Transmission rear case	1											
3	550705	Plug	13											
4	109657	O--ring	13											
5	109727	Screw	16											
6	109703	Stud bolt	2											
7	561833	O--ring	3											
8	561835	Plug	1											
9	109657	O--ring	1											
10	473366	Drain plug	1											
11	473915	O--ring	1											
12	109705	Air breather	1											
13	705009	Oil pressure switch	1											
15	561829	Screw	4											
16	561837	Filter housing	1											
17	109646	Gasket	1											
18	109658	Connection	1											
19	561749	Oil filter	1											
20	109728	Screw	2											
21	561836	Ball	1											
22	561765	Spring	1											
23	561827	O--ring	1											
24	561828	Plug	1											
25	561822	Plug	2											
26	561834	Plug	1											
27	561930	Pump, complete	1											
28	109690	Seal	1											
29	109676	O--ring	1											
30	561760	Screw	4											
31	109659	Washer	4											
												83.00		

			QTY./MODEL				4 AD							
2/2	KD HAWK, TRANSMISSION, 4--SPEED, 2WD, EXTERNAL COMPONENTS TRANSMISSION REF: 222572 TYPE: 15984		1- 30-2 T 2- 30-4 T 3- 30-2 TH 4- 30-4 TH											
ITEM	PART NO.	DESCRIPTION	1	2	3	4	5	6	7	8	9	10	11	12
32	702388	Oil temp sensor	1											
33	109657	O--ring	1											
34	109565	Suction strainer	1											
35	550626	Washer	1											
36	550627	O--ring	1											
37	473368	Cover	1											
38	109732	Screw	2											
39	561830	Pressure regulation valve	1											
40	561946	Seal kit	1											
41	561823	Over pressure valve	1											
42	561945	Seal kit	1											
43	562040	Upper seat	1											
44	561816	Gear lever foot	1											
45	109681	Pin	1											
46	561820	Clamp	1											
47	109612	Dust cover	1											
48	561821	Clamp	1											
49	561760	Screw	3											
50	561761	Washer	3											
51	600792	Electrical control valve	1											
52	702639	Electrical control valve	1											
60	561931	Pump kit	A/R											
61	561934	Small parts kit	A/R											
62	562002	Seal kit	A/R											
63	562003	Seal kit	A/R											
64	562006	Valve kit	A/R											
65	561942	Complete repair kit	A/R											
66	600365	Gasket	1											
67	600366	O--ring	1											
													83.00	

NOTE: RECORD ID PLATE INFO BEFORE ORDERING PARTS. SEE BP177

KIT COMPLET, VOIR NOMENCLATURE
 KOMPLETTER KIT, SIEHE STÜCKLISTE
 JUEGO COMPLETO, VER NOMENCLATURA
 COMPLETE KIT, SEE NOMENCLATURE
 KIT COMPLETO, VEDERE NOMENCLATURA

Rep - Hinw - Fig - Item - Sequenza
 ■70 ■71 - 72 - 73 - 74 - 75 - 76
 77 - 78 ■79 □83 □84



JUSQU' A LA BOITE DE VITESSES
 BIS DER GETRIEBEKASTEN
 HASTA LA CAJA DE VELOCIDADES
 UP TO GEAR BOX
 FINO CAMBIO

A PARTIR DE LA BOITE DE VITESSES
 AB DER GETRIEBEKASTEN
 A PARTIR DE LA CAJA DE VELOCIDADES
 FROM GEAR BOX
 A PARTIR DEL CAMBIO

● → N°: H00-1154 / 15984

○ → N°: H00-1155 / 15984

■ → N°: 2725 / 15984

□ → N°: 2726 / 15984

			QTY./MODEL				4 AD							
1/3	KD HAWK, TRANSMISSION, 4--SPEED, 2WD, INTERNAL COMPONENTS TRANSMISSION REF: 222572 TYPE: 15984		1- 30-2 T 2- 30-4 T 3- 30-2 TH 4- 30-4 TH											
ITEM	PART NO.	DESCRIPTION	1	2	3	4	5	6	7	8	9	10	11	12
1	561791	Reverse idler gear	1											
2	109701	Bearing	4											
3	109615	Shim .051mm (.002 in)	A/R											
3	109616	Shim .076mm (.003 in)	A/R											
3	109617	Shim .127mm (.005 in)	A/R											
3	109618	Shim .178mm (.007 in)	A/R											
3	109619	Shim .381mm (.015 in)	A/R											
3	109620	Shim .508mm (.020 in)	A/R											
4	109597	Spacer	2											
6	109624	Seal	4											
12	561797	Clutch disc	12											
13	561798	Friction disc	12											
14	561796	Plate	2											
15	561795	Circlips	2											
16	561801	Spring	2											
17	561800	Bushing	2											
18	561799	Circlips	2											
19	561789	Thrust washer	2											
20	561793	Forward primary gear	1											
21	109651	Roller bearing	4											
22	561809	Spacer	2											
23	561762	Bearing	2											
24	561764	Stop washer	2											
25	561794	Backward primary gear	1											
26	561790	Countershaft	1											
27	109622	Bearing	1											
28	561786	Bearing	2											

84.00

		QTY./MODEL		4 AD											
2/3		KD HAWK, TRANSMISSION, 4--SPEED, 2WD, INTERNAL COMPONENTS TRANSMISSION REF: 222572 TYPE: 15984		1- 30-2 T 2- 30-4 T 3- 30-2 TH 4- 30-4 TH											
ITEM	PART NO.	DESCRIPTION		1	2	3	4	5	6	7	8	9	10	11	12
29	109599	Shim .051mm (.002 in)		A/R											
29	109600	Shim .076mm (.003 in)		A/R											
29	109601	Shim .178mm (.007 in)		A/R											
29	109602	Shim .559mm (.022 in)		A/R											
30	109598	Spacer		2											
31	561785	Output shaft		1											
32	561775	3rd gear		1											
33	561776	2nd gear		1											
34	109586	Coupling sleeve		2											
35	109665	Synchro assembly		1											
36	109664	Circlips		1											
37	561774	4th gear		1											
38	561784	Washer		1											
39	561788	Bearing		1											
40	550632	Plug		1											
41	109665	Synchro assembly		1											
42	109568	Output shaft, 1st gear		1											
43	109621	Bearing		1											
44	109653	Spacer		2											
45	109652	Coupling		1											
46	551373	Spacer		1											
47	109656	Seal		1											
48	561807	End yoke		1											
49	550636	O--ring		1											
50	109798	Washer		1											

84.00

		QTY./MODEL										4 AD		
3/3		KD HAWK, TRANSMISSION, 4--SPEED, 2WD, INTERNAL COMPONENTS TRANSMISSION REF: 222572 TYPE: 15984										1- 30-2 T 2- 30-4 T 3- 30-2 TH 4- 30-4 TH		
ITEM	PART NO.	DESCRIPTION	1	2	3	4	5	6	7	8	9	10	11	12
51	561810	Screw	1											
52	561814	1st and 2nd shift rod	1											
53	561815	3rd and 4th shift rod	1											
54	109709	Ball	3											
55	473920	Spring	2											
56	550705	Plug	1											
57	109657	O--ring	1											
58	561812	1st and 2nd shift fork	1											
59	561813	3rd and 4th shift fork	1											
60	109737	Screw	2											
70	561932	Clutch pack kit	A/R											
71	561933	Complete clutch pack kit	A/R											
72	561934	Small parts kit	A/R											
73	562001	Bearing kit	A/R											
74	562002	Seal kit	A/R											
75	562003	Seal kit	A/R											
76	562004	Circlip kit	A/R											
77	562005	Washer kit	A/R											
78	561940	Thrust washer kit	A/R											
79	561942	Complete repair kit	A/R											
80	602729	Input shaft	1											
81	602730	Bushing	2											
82	702819	Piston kit	2											
83	705892	Clutch pack kit	A/R											
84	703472	Complete clutch pack kit	A/R											

84.00

A PARTIR DE LA BOITE DE VITESSE
AB DER GETRIEBEKASTEN
A PARTIR DE LA CAJA DE VELOCIDADES
FROM GEAR BOX
A PARTIR DEL CAMBIO

↳ N°: **H00-1155**

JUSQU'A LA BOITE DE VITESSES
BIS DER GETRIEBEKASTEN
HASTA LA CAJA DE VELOCIDADES
UP TO GEAR BOX
FINO CAMBIO

↳ N°: **2638**

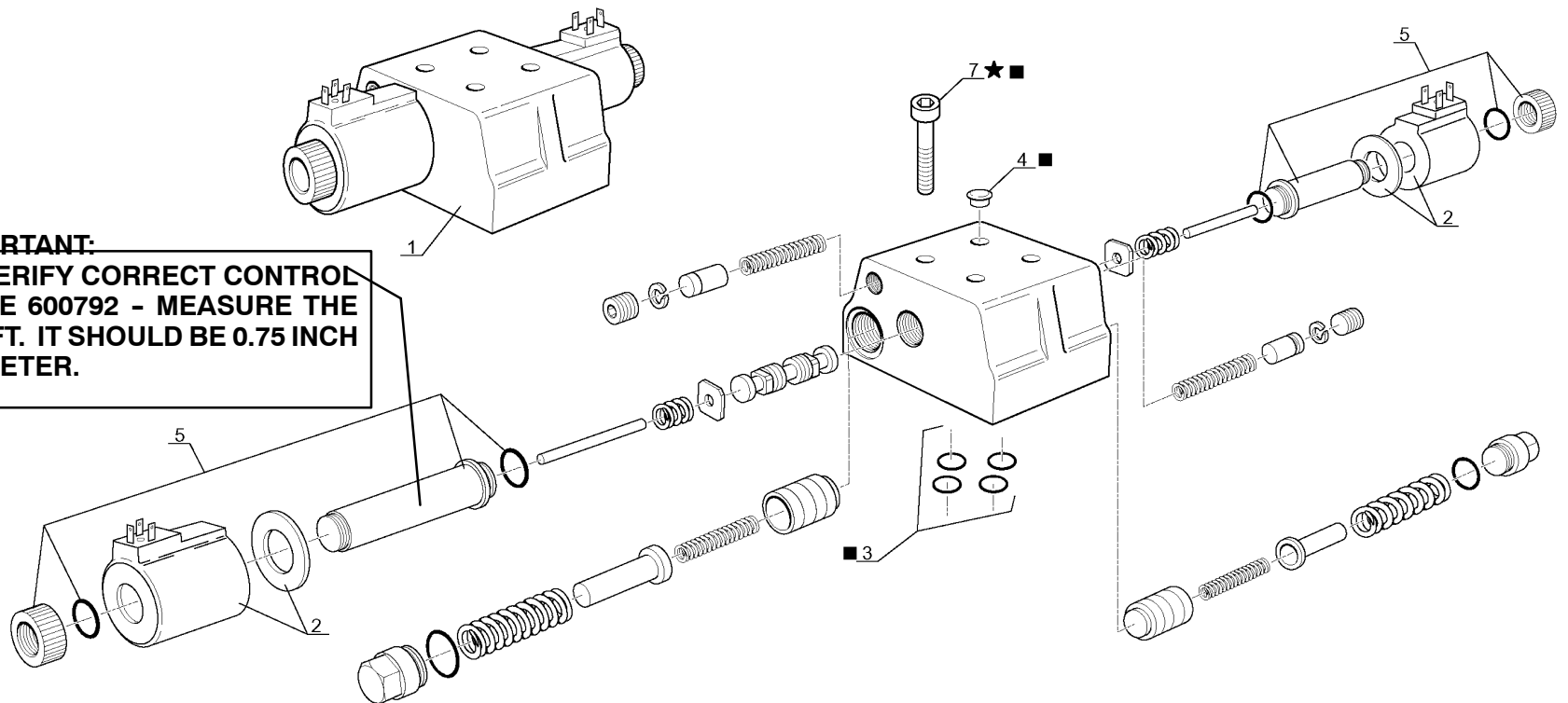
★ NON LIVRE AVEC REP. 1
NICHT GELIEFERT MIT HINW. 1
NO ENTREGADOS CON FIG. 1
NOT DELIVERED WITH ITEM. 1
NO CONSEGNARE CON SEQU. 1

**NOTE: RECORD ID PLATE INFO BEFORE ORDERING PARTS (SEE BP177)
SEE ALSO: BP203**

■ KIT COMPLET, VOIR NOMENCLATURE
KOMPLETTER KIT, SIEHE STÜCKLISTE
JUEGO COMPLETO, VER NOMENCLATURA
COMPLETE KIT, SEE NOMENCLATURE
KIT COMPLETO, VEDERE NOMENCLATURA

Rep - Hinw - Fig - Item - Sequenza
6

IMPORTANT:
TO VERIFY CORRECT CONTROL
VALVE 600792 - MEASURE THE
SHAFT. IT SHOULD BE 0.75 INCH
DIAMETER.



			QTY./MODEL				4 AD							
1/1	KD HAWK, TRANSMISSION, 4--SPEED, 2WD, CONTROL VALVE TRANSMISSION REF: 222572 TYPE: 15984		1- 30-2 T 2- 30-4 T 3- 30-2 TH 4- 30-4 TH											
ITEM	PART NO.	DESCRIPTION	1	2	3	4	5	6	7	8	9	10	11	12
1	600792	Electrical control valve	1											
2	561944	Solenoid	2											
3	561943	Seal kit	1											
4	562043	Plug	4											
5	604258	Solenoid bracket	2											
6	702384	Small parts kit	1											
7	561829	Screw	4											
													85.00	

POUR BOITE DE VITESSE
 FÜR GETREIBEKASTEN
 PARA CAJA DE VELOCIDADES
 FOR GEAR BOX
 PER CAMBIO

A PARTIR DE LA BOITE DE VITESSE
 AB DER GETREIBEKASTEN
 A PARTIR DE LA CAJA DE VELOCIDADES
 FROM GEAR BOX
 A PARTIR DEL CAMBIO

Type: 15984 Réf: 222 572
 Type: 15985 Réf: 222 573

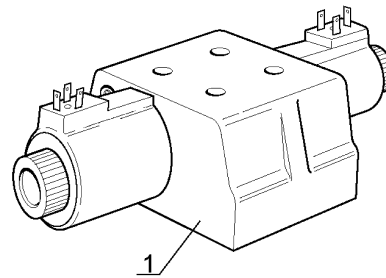
↳ N°: 2639
 ↳ N°: 2208

**NOTE: RECORD ID PLATE INFO BEFORE ORDERING PARTS
 (SEE BP177 OR BP181).**

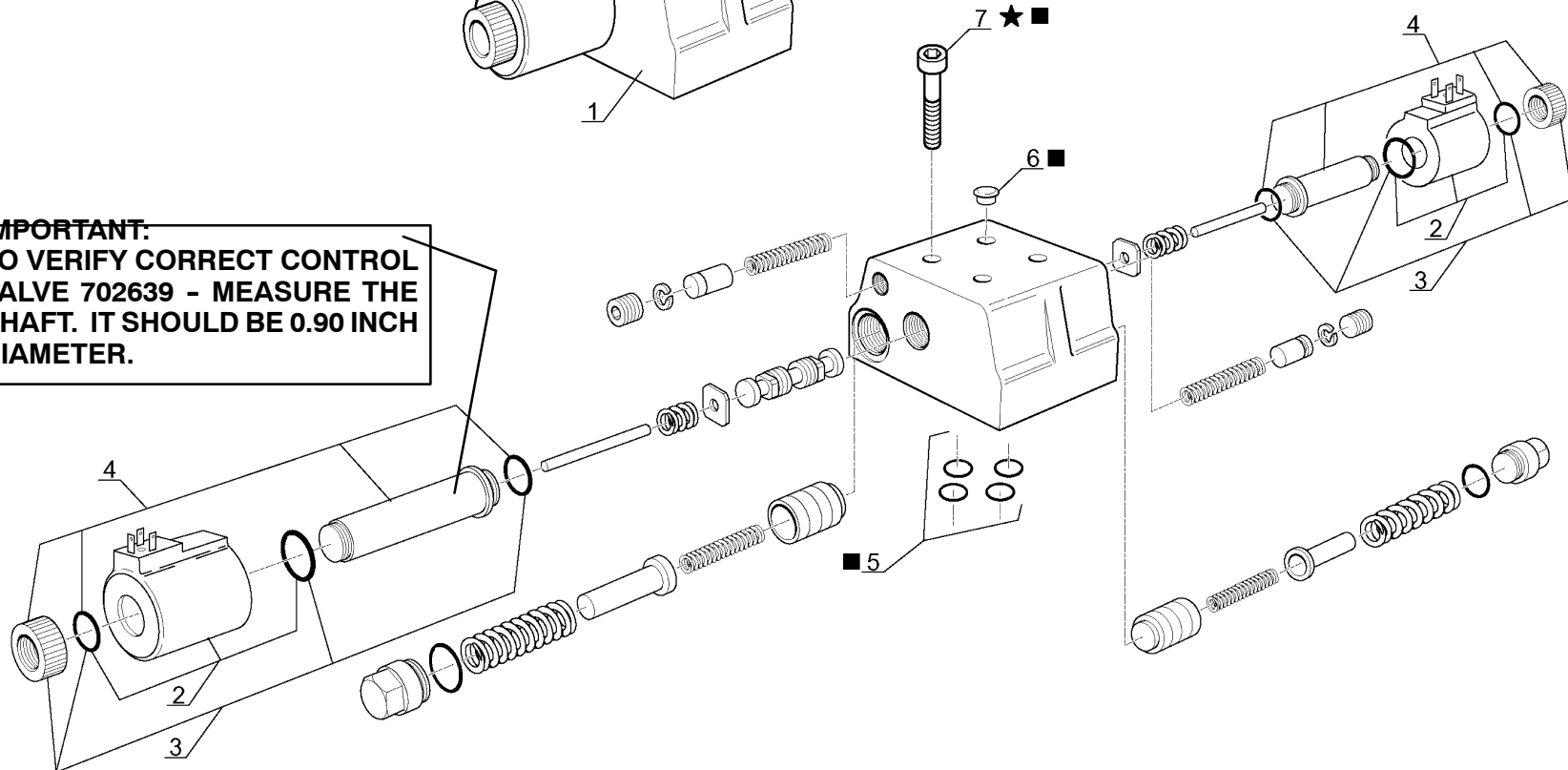
■ KIT COMPLET, VOIR NOMENCLATURE
 KOMPLETTER KIT, SIEHE STÜCKLISTE
 JUEGO COMPLETO, VER NOMENCLATURA
 COMPLETE KIT, SEE NOMENCLATURE
 KIT COMPLETO, VEDERE NOMENCLATURA

★ NON LIVRE AVEC REP. 1
 NICHT GELIEFERT MIT HINW. 1
 NO ENTREGADOS CON FIG. 1
 NOT DELIVERED WITH ITEM. 1
 NO CONSEGNARE CON SEQU. 1

Rep - Hinw - Fig - Item - Sequenza
 8



**IMPORTANT:
 TO VERIFY CORRECT CONTROL
 VALVE 702639 - MEASURE THE
 SHAFT. IT SHOULD BE 0.90 INCH
 DIAMETER.**



		QTY./MODEL										4 AD		
1/1	KD HAWK TRANSMISSION, 4--SPEED, 2/4WD, CONTROL VALVE 2WD TRANSMISSION REF: 222572 TYPE: 15984 4WD TRANSMISSION REF: 222573 TYPE: 15985		1- 30-2 T 2- 30-4 T 3- 30-2 TH 4- 30-4 TH											
ITEM	PART NO.	DESCRIPTION	1	2	3	4	5	6	7	8	9	10	11	12
1	702639	Electrical control valve	1	1										
2	702381	Solenoid	2	2										
3	702382	Small parts kit	1	1										
4	702383	Solenoid bracket	1	1										
5	561943	Seal kit	1	1										
6	562043	Plug	4	4										
7	561829	Screw	4	4										
8	702384	Small parts kit	1	1										

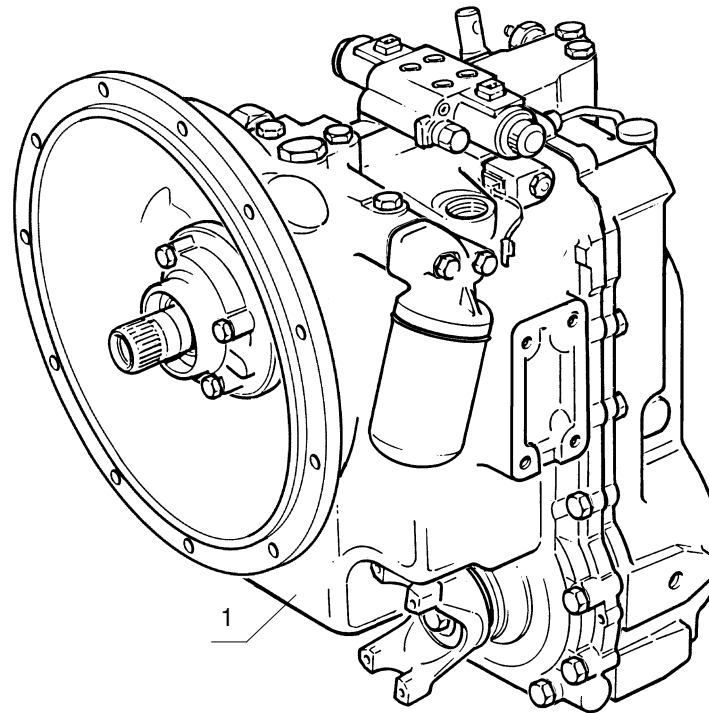
85.10

SAMPLE 4WD TRANSMISSION ID PLATE



NOTE:
BEFORE ORDERING TRANSMISSION PARTS RECORD ALL INFORMATION STAMPED ON THE ID PLATE.

SEE 4AA606 FOR DIPSTICK ASSEMBLY



		QTY./MODEL										4 AD												
1/1		KD HAWK, TRANSMISSION, 4--SPEED, 4WD										1- 30-2 T 2- 30-4 T 3- 30-2 TH 4- 30-4 TH												
ITEM	PART NO.	DESCRIPTION										1	2	3	4	5	6	7	8	9	10	11	12	
1	222573	Gear box, complete											1											
											86.00													

JUSQU' A LA BOITE DE VITESSES
BIS DER GETRIEBEKASTEN
HASTA LA CAJA DE VELOCIDADES
UP TO GEAR BOX
FINO LA MACHINA

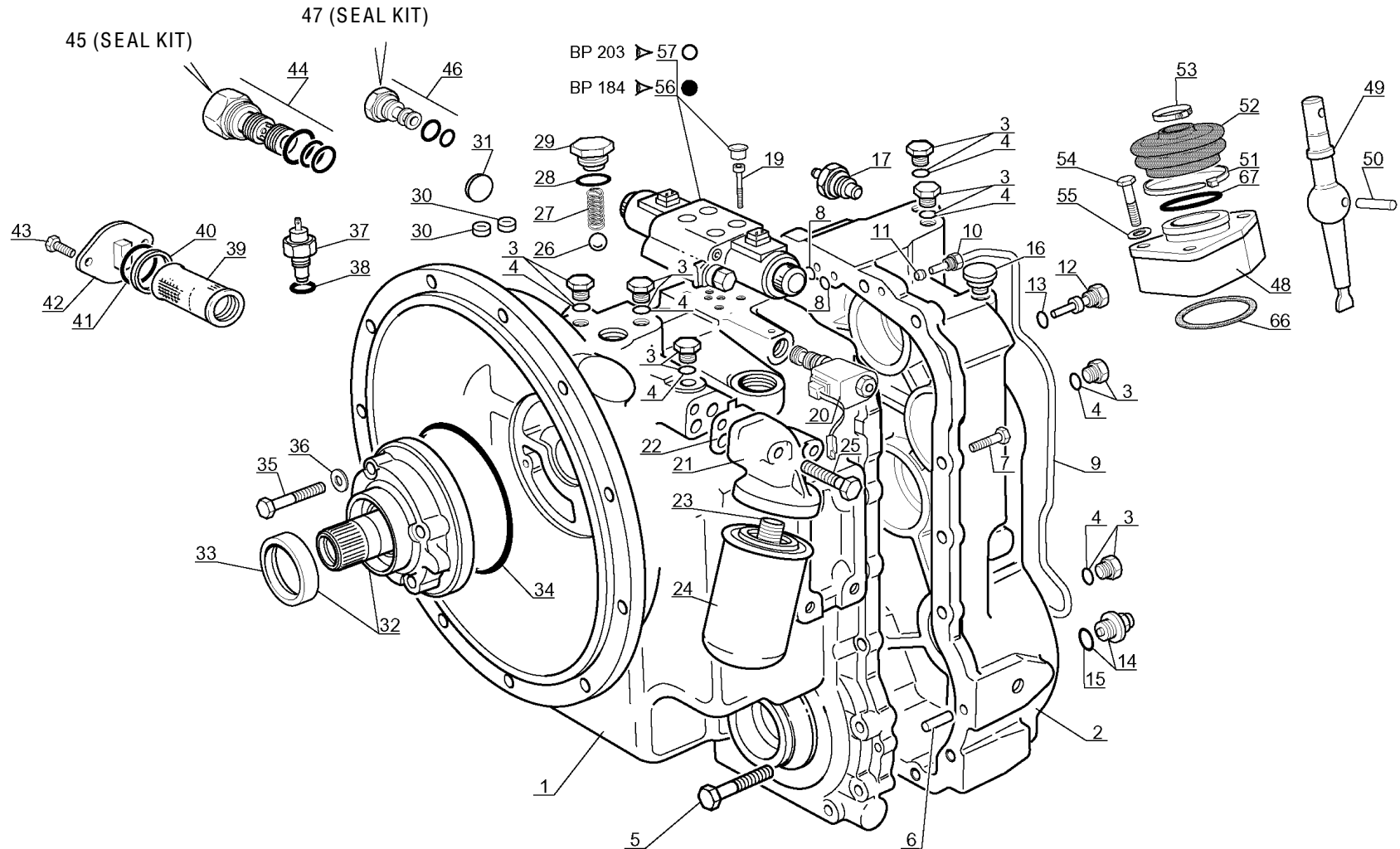
A PARTIR DE LA BOITE DE VITESSES
AB DER GETRIEBEKASTEN
A PARTIR DE LA CAJA DE VELOCIDADES
FROM GEAR BOX
A PARTIR DA CAMBIO

● → N° : 2207

○ → N° : 2208

■ → N° : 2256

**NOTE: RECORD ID PLATE INFO BEFORE ORDERING PARTS.
SEE BP181**



			QTY./MODEL								4 AA			
1/3	KD HAWK, TRANSMISSION, 4--SPEED, 4WD, EXTERNAL COMPONENTS TRANSMISSION REF: 222573 TYPE: 15985		1- 30-2 T 2- 30-4 T 3- 30-2 TH 4- 30-4 TH											
ITEM	PART NO.	DESCRIPTION	1	2	3	4	5	6	7	8	9	10	11	12
1	561757	Transmission housing		1										
2	561758	Transmission rear case		1										
3	550705	Plug		13										
4	109657	O--ring		13										
5	561759	Screw		4										
6	109703	Stud bolt		2										
7	109727	Screw		13										
8	561833	O--ring		4										
9	561825	Pipe		1										
10	561824	Nut		2										
11	561826	Bushing		2										
12	561835	Plug		1										
13	109657	O--ring		1										
14	473366	Drain plug		1										
15	147915	O--ring		1										
16	109705	Air breather		1										
17	705009	Oil pressure switch		1										
19	561829	Screw		4										
20	561831	Solenoid		1										
21	561837	Filter housing		1										
22	109646	Gasket		1										
23	109658	Connection		1										
24	561749	Oil filter		1										
25	109728	Screw		2										
26	561836	Ball		1										
27	561765	Spring		1										
28	561827	O--ring		1										

87.00

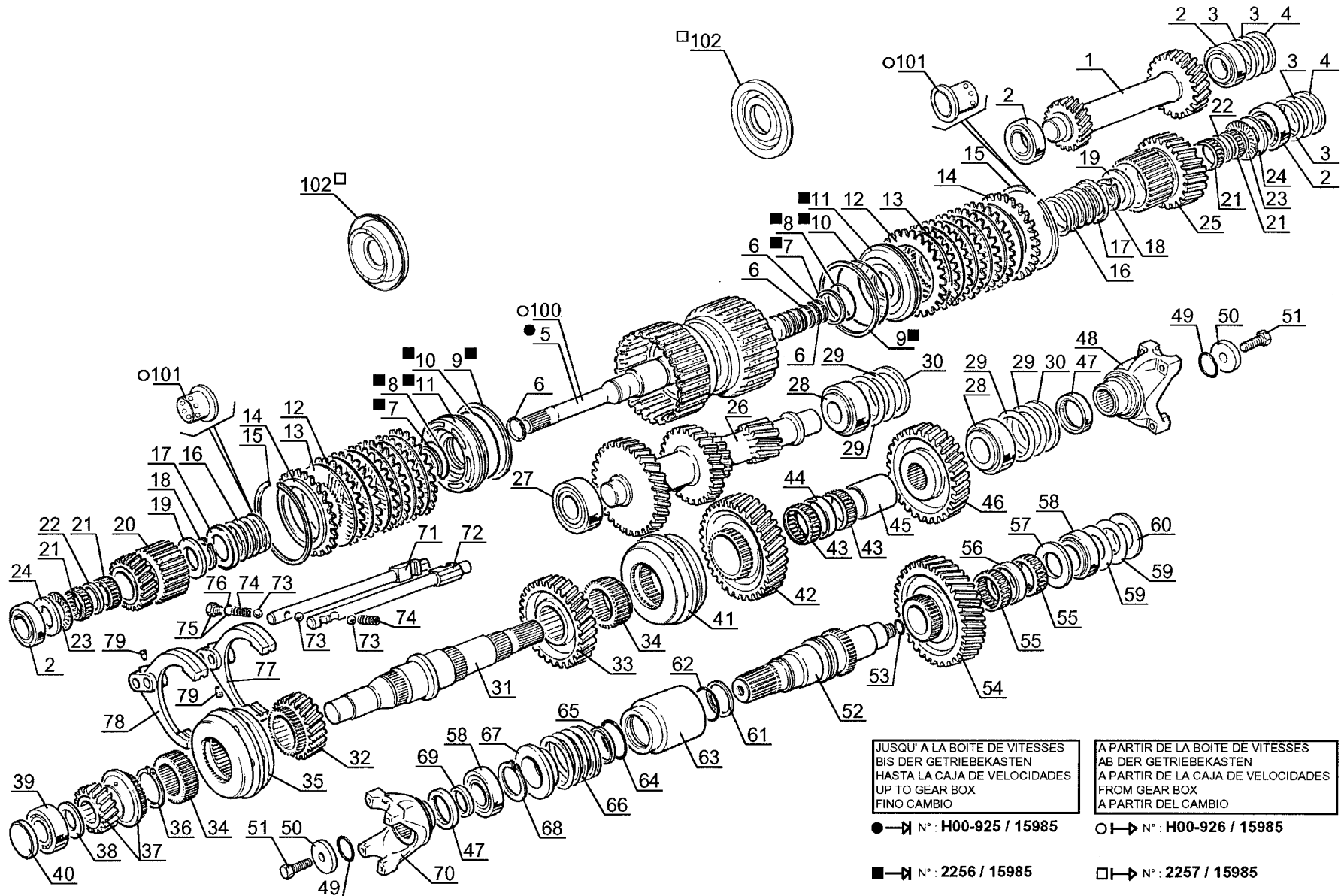
			QTY./MODEL				4 AD							
2/3			KD HAWK, TRANSMISSION, 4--SPEED, 4WD, EXTERNAL COMPONENTS TRANSMISSION REF: 222573 TYPE: 15985											
ITEM	PART NO.	DESCRIPTION	QTY./MODEL											
			1	2	3	4	5	6	7	8	9	10	11	12
29	561828	Plug				1								
30	561822	Plug				2								
31	561834	Plug				1								
32	561930	Complete pump				1								
33	109690	Seal				1								
34	109676	O--ring				1								
35	561760	Screw				4								
36	109659	Washer				4								
37	702388	Oil temp sensor				1								
38	109657	O--ring				1								
39	109565	Suction strainer				1								
40	550626	Washer				1								
41	550627	O--ring				1								
42	473368	Cover				1								
43	109732	Screw				1								
44	561830	Pressure regulation valve				1								
45	561946	Seal kit				1								
46	561823	Over pressure valve				1								
47	561945	Seal kit				1								
48	562040	Upper seat				1								
49	561816	Gear lever foot				1								
50	109681	Pin				1								
51	561820	Clamp				1								
52	109612	Dust cover				1								
53	561821	Clamp				1								
54	561760	Screw				3								
55	561761	Washer				3								

87.00

		QTY./MODEL										4 AD		
3/3		KD HAWK, TRANSMISSION, 4--SPEED, 4WD, EXTERNAL COMPONENTS TRANSMISSION REF: 222573 TYPE: 15985										1- 30-2 T 2- 30-4 T 3- 30-2 TH 4- 30-4 TH		
ITEM	PART NO.	DESCRIPTION	1	2	3	4	5	6	7	8	9	10	11	12
57	702639	Electrical control valve		1										
60	561931	Pump kit		A/R										
61	561934	Small parts kit		A/R										
62	561936	Seal kit		A/R										
63	561937	Seal kit		A/R										
64	561941	Tube kit		A/R										
65	562148	Complete repair kit		A/R										
66	600366	O--ring		1										
67	600365	Gasket		1										

87.00

**NOTE: RECORD ID PLATE INFO BEFORE ORDERING PARTS.
SEE BP181**



JUSQU' A LA BOITE DE VITESSES
BIS DER GETRIEBEKASTEN
HASTA LA CAJA DE VELOCIDADES
UP TO GEAR BOX
FINO CAMBIO

A PARTIR DE LA BOITE DE VITESSES
AB DER GETRIEBEKASTEN
A PARTIR DE LA CAJA DE VELOCIDADES
FROM GEAR BOX
A PARTIR DEL CAMBIO

●→ N°: H00-925 / 15985

○→ N°: H00-926 / 15985

■→ N°: 2256 / 15985

□→ N°: 2257 / 15985

ITEM	PART NO.	DESCRIPTION	QTY./MODEL													
			1	2	3	4	5	6	7	8	9	10	11	12		
1/4		KD HAWK, TRANSMISSION, 4--SPEED, 4WD, INTERNAL COMPONENTS TRANSMISSION REF: 222573 TYPE: 15985	1- 30-2 T 2- 30-4 T 3- 30-2 TH 4- 30-4 TH													
1	561791	Reverse idler gear		1												
2	109701	Bearing		4												
3	109615	Shim .051mm (.002 in)		4												
3	109616	Shim .076mm (.003 in)		A/R												
3	109617	Shim .127mm (.005 in)		A/R												
3	109618	Shim .178mm (.007 in)		A/R												
3	109619	Shim .381mm (.015 in)		A/R												
3	109620	Shim .508mm (.020 in)		A/R												
4	109597	Spacer		2												
5	561792	Input shaft		1												
6	109624	Seal		4												
7	561805	Seal, inner		2												
8	561806	O--ring		2												
9	561803	Seal, outer		2												
10	561804	O--ring		2												
11	561802	Piston		2												
12	561797	Clutch disc		12												
13	561798	Friction disc		12												
14	561796	Plate		2												
15	561795	Circlips		2												
16	561801	Spring		2												
17	561800	Bushing		2												
18	561799	Circlips		2												
19	561789	Thrust washer		2												
20	561793	Forward primary gear		1												
21	109651	Roller bearing		4												
22	561809	Spacer		2												

88.00

			QTY./MODEL								4 AA			
2/4			KD HAWK, TRANSMISSION, 4--SPEED, 4WD, INTERNAL COMPONENTS TRANSMISSION REF: 222573 TYPE: 15985								1- 30-2 T 2- 30-4 T 3- 30-2 TH 4- 30-4 TH			
ITEM	PART NO.	DESCRIPTION	1	2	3	4	5	6	7	8	9	10	11	12
23	561762	Bearing	2											
24	561764	Stop washer	2											
25	561794	Backward primary gear	1											
26	561790	Countershaft	1											
27	109622	Bearing	1											
28	561786	Bearing	2											
29	109599	Shim .051mm (.002 in)	A/R											
29	109600	Shim .076mm (.003 in)	A/R											
29	109601	Shim .178mm (.007 in)	A/R											
29	109602	Shim .559mm (.020 in)	A/R											
30	109598	Spacer	2											
31	561785	Output shaft	1											
32	561775	3rd gear	1											
33	561776	2nd gear	1											
34	109586	Coupling sleeve	2											
35	109665	Synchro assembly	1											
36	109664	Circlips	1											
37	561774	4th gear	1											
38	561784	Washer	1											
39	561788	Bearing	1											
40	550632	Plug	1											
41	109665	Synchro assembly	1											
42	109568	Output shaft 1st gear	1											
43	109621	Bearing	2											
44	109653	Spacer	1											
45	109652	Coupling	1											
46	561777	Output shaft drive gear	1											
47	109656	Seal	2											
												88.00		

			QTY./MODEL				4 AA							
3/4			KD HAWK, TRANSMISSION, 4--SPEED, 4WD, INTERNAL COMPONENTS TRANSMISSION REF: 222573 TYPE: 15985											
			1- 30-2 T 2- 30-4 T 3- 30-2 TH 4- 30-4 TH											
ITEM	PART NO.	DESCRIPTION	1	2	3	4	5	6	7	8	9	10	11	12
48	561807	End yoke		1										
49	550636	O--ring		2										
50	109798	Washer		2										
51	561810	Screw		2										
52	561771	Output shaft		1										
53	561778	O--ring		1										
54	561772	Gear (37 teeth)		1										
55	561838	Roller bearing		2										
56	561839	Spacer		1										
57	561773	Washer		1										
58	561787	Bearing		2										
59	561780	Shim		A/R										
59	561781	Shim		A/R										
59	561782	Shim		A/R										
59	561783	Shim		A/R										
60	561779	Spacer		1										
61	561763	Seal		1										
62	561766	O--ring		1										
63	561768	Coupling		1										
64	561818	O--ring		1										
65	561819	Seal		1										
66	561769	Spring		1										
67	561770	Spring bracket		1										
68	561767	Circlips		1										
69	561808	Spacer		1										
70	561807	End yoke		1										
71	561814	1st and 2nd shift rod		1										
72	561815	3rd and 4th shift rod		1										
													88.00	

		QTY./MODEL										4 AA		
4/4		KD HAWK, TRANSMISSION, 4--SPEED, 4WD, INTERNAL COMPONENTS TRANSMISSION REF: 222573 TYPE: 15985										1- 30-2 T 2- 30-4 T 3- 30-2 TH 4- 30-4 TH		
ITEM	PART NO.	DESCRIPTION	1	2	3	4	5	6	7	8	9	10	11	12
73	109709	Ball		3										
74	473920	Spring		2										
75	550705	Plug		1										
76	109657	O--ring		1										
77	561812	1st and 2nd shift fork		1										
78	561813	3rd and 4th shift fork		1										
79	109737	Screw		2										
90	561932	Clutch pack kit		A/R										
91	561933	Complete clutch pack kit		A/R										
92	561934	Small parts kit		A/R										
93	561935	Bearing kit		A/R										
94	561936	Seal kit		A/R										
95	561937	Seal kit		A/R										
96	561938	Circlip kit		A/R										
97	561939	Washer kit		A/R										
98	561940	Thrust washer kit		A/R										
99	562148	Complete repair kit		A/R										
100	602729	Input shaft		1										
101	602730	Bushing		2										
102	702819	Piston kit		2										
103	705892	Clutch pack kit		A/R										
104	703472	Complete clutch pack kit		A/R										

88.00

**NOTE: RECORD ID PLATE INFO BEFORE ORDERING PARTS (SEE BP181).
SEE ALSO: BP203.**

POUR BOITE DE VITESSE
FÜR GETREIBEKASTEN
PARA CAJA DE VELOCIDADES
FOR GEAR BOX
PER CAMBIO

A PARTIR DE LA BOITE DE VITESSE
AB DER GETREIBEKASTEN
A PARTIR DE LA CAJA DE VELOCIDADES
FROM GEAR BOX
A PARTIR DEL CAMBIO

JUSQU'A LA BOITE DE VITESSES
BIS DER GETREIBEKASTEN
HASTA LA CAJA DE VELOCIDADES
UP TO GEAR BOX
FINO CAMBIO

★ NON LIVRE AVEC REP. 1
NICHT GELIEFERT MIT HINW. 1
NO ENTREGADOS CON FIG. 1
NOT DELIVERED WITH ITEM. 1
NO CONSEGNARE CON SEQU. 1

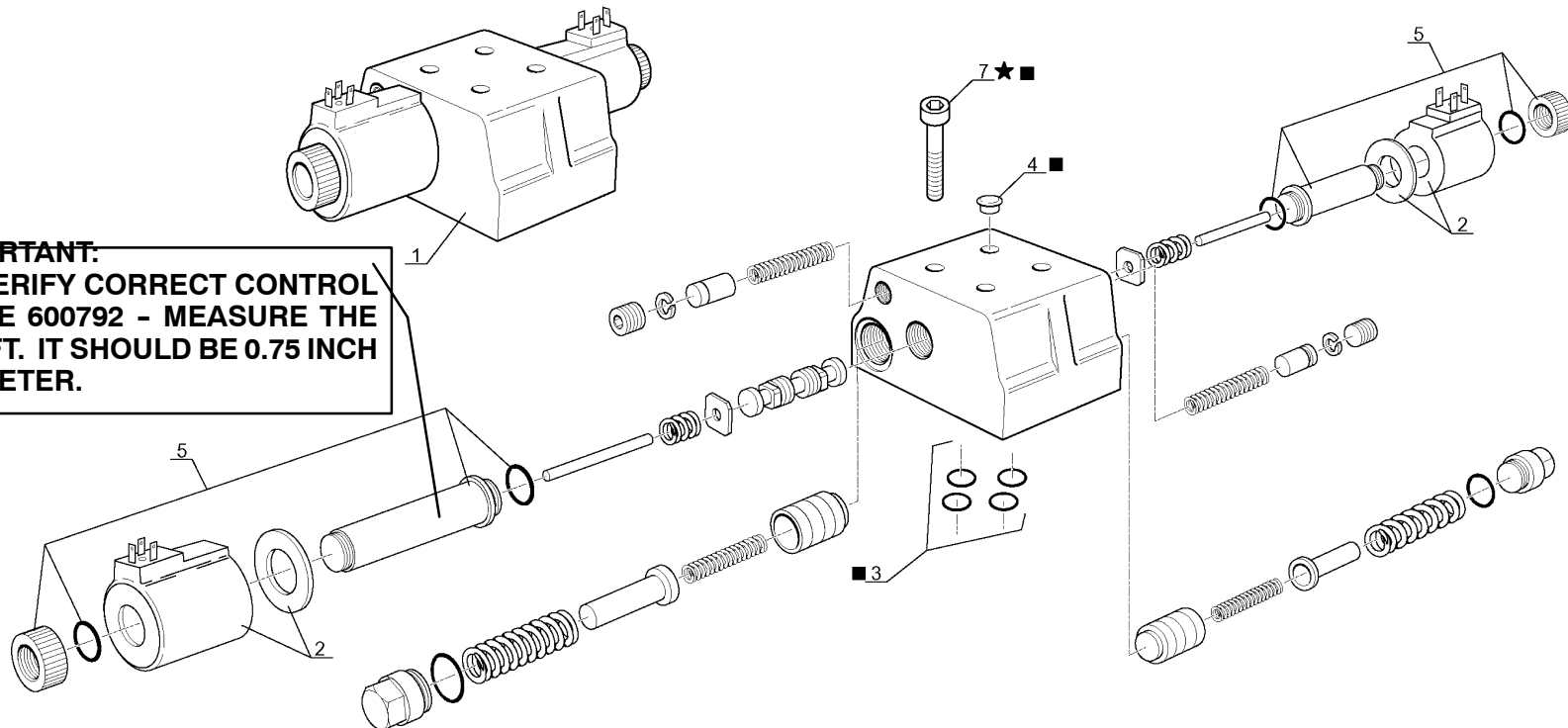
■ KIT COMPLET, VOIR NOMENCLATURE
KOMPLETTER KIT, SIEHE STÜCKLISTE
JUEGO COMPLETO, VER NOMENCLATURA
COMPLETE KIT, SEE NOMENCLATURE
KIT COMPLETO, VEDERE NOMENCLATURA

□ Type: 15985 Réf: 222 573 ↳ N°: H00-926

↳ N°: 2207

Rep - Hinw - Fig - Item - Sequenza
6

IMPORTANT:
TO VERIFY CORRECT CONTROL
VALVE 600792 - MEASURE THE
SHAFT. IT SHOULD BE 0.75 INCH
DIAMETER.



			QTY./MODEL				4 AA							
1/1	KD HAWK, TRANSMISSION, 4--SPEED, 4WD, CONTROL VALVE TRANSMISSION REF: 222573 TYPE: 15985		1- 30-2 T 2- 30-4 T 3- 30-2 TH 4- 30-4 TH											
ITEM	PART NO.	DESCRIPTION	1	2	3	4	5	6	7	8	9	10	11	12
1	600792	Electrical control valve		1										
2	561944	Solenoid		2										
3	561943	Seal kit		1										
4	562043	Plug		4										
5	604258	Solenoid bracket		2										
6	702384	Small parts kit		1										
7	561829	Screw		4										
													89.00	

PARTS INDEX: Part No., Item No., - Page

CATALOG 809860 R 11 – 09

105101	109602, 29, BP76-2	109701, 2, BP76-1	133296, 27, AX1851-2	184817, 6, 11AA1033-1	9, 8AA500-1	226148, 1, 4AB149
6, AX1851-1	BP183-2	BP183-1	133570	11AA1034-1	202947, 2, 8AA502-1	224776, 1, 4AA623-1
8, AX1865-1	109612	109703, 6, BP178-1	19, AX1864-1	185054, 1, 8AA502-1	202953, 5, 8AA475-1	229433, 5, 7AA63-1
105131, 19, AX1851-1	47, BP178-2	BP182-1	39, AX1449-2	187283, 11, 4AC216-1	202954, 6, 8AA475-1	229587, 3, 4AA623-1
105424, 9, AX1865-1	52, BP182-2	109705	133636	187283, 11, 4AC216-1	203115, 2, 8AA475-1	233837, 29, 6BB156-2
105491, 9, AX1851-1	109615, 3, BP76-1	12, BP178-1	2, AP1558-1	187294, 12, 4AC216-1	203524, 4, 7AA63-1	234267, 46, 4AB151-1
106010 2, AX1415-1	BP183-1	16, BP182-1	7, AP1555-1	187485, 10, 4AC216-1	204069, 18, 6BB158-1	234292
106080 8, AX1450-1	109616, 3, BP76-1	33, 4AA606-2	133641	187898, 8, 10CE15-1	204220, 32, 10AE763-2	11, 10AA636-1
106389	BP183-1	109709	5, AP1557-1	189172	205275	5, 10AA634-1
19, AP1554-1	109617, 3, BP76-1	54, BP76-3	9, AP1557-1	15, 4AA607-1	21, 6BB158-1	234798, 6, 12AA461-1
2, 11CD130-1	BP183-1	73, BP183-4	133655	5, 8AA500-1	5, 9AA322-1	234799, 8, 12AA461-1
106533	109618, 3, BP76-1	109727	10, AP1554-1	8AA501-1	207783, 3, 8AA502-1	234802, 5, 12AA461-1
1, AX1412-1	BP183-1	5, BP178-1	7, AP1556-1	189535	207784, 68, 10BA301-1	234804, 39, 12AA461-1
AX1856-1	109619, 3, BP76-1	7, BP182-1	133707, 5, AP1565	15, AC216-1	207785, 67, 10BA301-1	237806, 33, 6BB156-2
10, AX1450-1	BP183-1	109728	133714, 4, AP1558-1	3, 10AA634-1	208561, 51, 4AB151-1	240077, 2, 10AF562-1
32, AX1865-1	109620, 3, BP76-1	20, BP178-1	133739	4, 10AA633-1	208701	240821, 23, 6BB156-1
106550, 4, AX1449-1	BP183-1	25, BP182-1	189536	20, AP1556-1	1, BC108-1	242496
106550 4, AX1449-1	109621, 43, BP76-2	109732	25, AP1558-1	14, 4AC216-1	45, 4AB151-1	1, 4AA624-1
AX1864-1	BP183-2	38, BP178-2	133768, 5, AP1555-1	2, 10AA634-1	209113, 4, 8AA502-1	15, 4AB149-1
106567 42, AX1415-1	109622, 27, BP76-2	43, BP182-2	133770, 6, AP1555-1	3, 10AA633-1	209115, 6, 9AA322-1	4, 4AA606-1
106842 13, AX1851-1	BP183-1	109737	133831, 3, AP1554-1	189857	209131, 2, 10AE763-1	243482, 13, 11AA1033-1
107286 22, AX1415-1	109624, 6, BP76-1	60, BP76-3	138200, 15, AP1566-1	16, 4AA607-1	10DA318-1	11AA1034-1
107293	BP183-1	79, BP183-4	133822, 2, AP1554-1	8, AP1842-1	209372, 15, 4AA606-1	244242, 2, 4AA626-1
20, AX1864-1	109646	109751	139365, 9, AP1554-1	190442, 32, 6BB156-2	209373, 17, 4AA606-1	244289, 17, 4AA626-1
41, AX1449-2	17, BP178-1	11, 7AB14-1	139495, 6, AP1559-1	191613, 15, 8AA475-1	209374, 16, 4AA606-1	244726, 13, 10AE763
107294	22, BP182-1	6, 4AB149-1	147915, 15, BP182-1	192093, 5, 10AE763-1	209376, 18, 4AA606-1	245767, 10, 5AA101
21, AX1864-2	109651, 21, BP76-1	9, 6AA369-1	162229	192310, 19, 11AA1033-1	209573, 20, 4AA606-1	246073, 6, 7AA61-1
42, AX1449-2	BP183-1	109752	1, 9AA322-1	11AA1034-1	210005, 5, 8AA502-1	246347, 32, 4AA606-2
107363	109652, 45, BP76-2	10, 6AA369-1	16, 6BB158-1	192871, 18, 10DA318-1	210006, 6, 8AA502-1	24653, 41, 12AA461-2
12, AP1559-1	BP183-2	12, 7AB14-1	9, 8AA475-1	195069, 16, 8AA475-1	210942, 25, 11AA1034	247289
18, AP1558-1	109653, 44, BP76-2	5, 4AB149-1	AP1842-1	196905, 62, 11AA1033-3	211278, 7, 4AA607-1	1, AX1855-1
23, AP1558-1	BP183-2	109798, 50, BP76-3	164091, 14, 12AA461-1	11AA1034-3	212021, 3, 11CD130-1	3, 7AB14-1
38, 4AC217-1	109656, 47, BP76-2	BP183-3	164965	196951, 66, 11AA1033-3	212065, 3, 11CD130-1	24704, 34, 6BB156
107702 8, AP1566-1	BP183-2	109834, 5, AP1555-1	1, 6BA215-1	11AA1034-3	212065, 3, 11CD130-1	247292, 38, AX1865-2
107751 19, AX1415-1	109657	109835, 6, AP1555-1	6, 4AA607-1	197335, 66, 10BA301-1	213400, 25, 10AA634-1	
107796	13, BP182-1	109912, 7, AX1449-1	165363, 15, 5AA101-1	197670, 4, 10CE15-1	215875, 41, 11AA1033-2	
16, AX1865-1	33, BP178-2	AX1864-1	165919, 7, 8AA475-1	197709, 12, 10CE15-1	11AA1034-2	
3, AX1415-1	38, BP182-2	129397, 1, 4AC216-1	168343, 23, 8AA503-1	199728	218177, 3, 6AA374-1	
5, AX1584-1	4, BP178-1, BP182-1	133027, 53, AX1851-3	168348, 58, 11AA1033-2	24, 10DA318-1	218178, 4, 6AA374-1	
108100 7, AX1865-1	57, BP76-3	133044	11AA1034-3	38, 10AE763-2	218265, 17, 6AA374-1	
108127, 28, AP1556	76, BP183-4	13, AX1412-1	168365	200316	219432, 24, 4AA606-1	
108556 61, AX1851-3	9, 11CD130-1	50, AX1865-2	10, 4AA624-1	1, 10CE63-1	219518, 12, 6AA374-1	
108564 10, AP1565-1	BP178-1	8, AX1856-1	168379, 11, 6AA374-1	2, 7AA63-1	219559, 21, 6BB156-1	
109480	106658	133055, 33, AX1851-2	168494, 61, 10AE763-3	200317, 3, 7AA63-1	221172	
19, AX1450-1	18, BP178-1	133069	168706, 6, 4AB152-1	200944, 31, BC153-2	44, 10AA636-1	
20, 3AA248-2	23, BP182-1	16, AX1864-1	168758, 62, 10AE763-3	201149, 4, BC153-1	7, 10AA633-1	
109565	109659	33, AX1449-2	168870, 3, 8AA475-1	201197, 32, BC153-2	221174, 2AA165-0	
34, BP178-2	31, BP178-1	133088, 8, AX1415-1	169437, 1, 7AA63-1	201198	38, 10AA636-1	
39, BP182-2	36, BP182-2	133090, 1, AX1865-1	174132	23, BC153-1	222381, 15, 6BA215	
109568, 42, BP76-2	109664, 36, BP76-2	133103	2, 9AA322-1	9, BC153-1	222572	
BP183-2	BP183-2	17, AX1865-1	174321, 4, 8AA475-1	201199, 26, BC153-1	1, BP177-1	
109586, 34, BP76-2	109665	4, AX1584-1	17543, 28, 10AE763	20125, 8, 11AA1033-1	14, 4AA606-1	
BP183-2	35, BP76-2, BP183-2	133118, 20, AX1851-1	175498, 31, 6BB156-2	11AA1034-1		
109597, 4, BP76-1	41, BP76-2, BP183-2	133131, 34, AX1851-2	175743	202144, 1, 6BB158-1	11, 4AA606-1	
BP183-1	109676	133136, 5, AX1851-1	26, 10DA318-1	202226	223246, 14, 11AA1033	
109598, 30, BP76-2	29, BP178-1	133138, 5, AX1851-1	27, 10AA634-1	22, 10DA318-1	223902, 7, 9AA322-1	
BP183-2	34, BP182-2	133173, 37, AX1449-2	29, 10AE763-2	43, 10AE763-2	223903, 8, 9AA322-1	
109599, 29, BP86-2	109681	133177, 25, AX1851-2	176737, 33, 11AA1033	202703, 25, 11AA1033-1	223904, 9, 9AA322-1	
BP183-2	45, BP178-2	133186, 6, AX1449-1	176864, 6, 10AA633-1	11AA1034-1	224345, 10, 9AA322-1	
109600, 29, BP76-2	50, BP182-2	AX1864-1	177274, 20, 10AE763-1	202731	224773, 64, 11AA1033-3	
BP183-2	109690	133187, 35, AX1851-2	178696, 12, 10AF562-1	11, 8AA501-1	11AA1034-3	
109601, 29, BP76-2	28, BP178-1	133199, 12, AX1415-1	184036, 3, 9AA322-1	8AA475-1	224774, 63, 11AA1033-3	
BP183-2	33, BP182-2	133276, 56, AX1851-3	184642, 10, 6AA374-1	4, 8AA500-1	11AA1034-3	

PARTS INDEX: Part No., Item No., - Page

CATALOG 809860 R 11 - 09

<p>244726, 13, 10AE763 245767, 10, 5AA101 24704, 34, 6BB156 248378, 26, 4AA624-1 248379, 27, 4AA624-1 249424, 2, 4AA623 252947, 22, 4AA316-1 252997, 23, 4AA316-1 254461, 29, 4AC216 254733, 11, 5AA101 25713 11, 3BA215-1 7, AP1842-1 8, 10AF562-1 25714 11, 10AF562-1, 11AA1133-1,</p>	<p>8AA511-1 8, 8AA475-1 29475 2,4AA617-1 55, 4A8151-1 6, 4AA616-1 9, 4AA623-1 30327,12,8AA475-1 3212 10,688156-1 14, 9AA322-1 32963, 13, 6AA374-1 33593, 29,4A8149-1 3411, 5, 4A0216-1 34807, 6, 5AA101 401831, 11, BC153-1 4039, 29, 4AA606-2</p>	<p>7, 10AE763-1 42256, 9, 4AB149-1 42316 11, 10AF562-1 12,8AA502-1 14,6BA1215-1 16, 9AA322-1 17, 11AA1033-1 11AA1034-1 2,6BB158-1 21, 8AA503-1 36, 8AA501-2 42322 24,4AA626-1 28, 4AB149-2 9,4AA606-1, 7AA63-1 42325</p>	<p>426042, 14, 7AA63-1 426131, 15, 7AA63-1 426642, 44, 12AA461-2 426643, 19, 12AA461-2 426688 2, 7AA61-1 8, 7AB14-1 42813 57, 4AB149-2 9, 4AA624-1 42818 23, 4AA626-1 26,4AB149-2 44026 11, 9AA323-1 18, 9AA322-1 448930 1,7AA61-1 16,7AA63-1 458502,10, BC153-1 46668 12, 11AA1033-1, 11AA1034-1 8AA502-1 470680, 2AA165-0 473290,9, AP1563-1 473297,6, AP1558-1 473299,12, AP1566-1 473303,13, AP1566-1 473309,8, AP1559-1 473366 10, BP178-1 14, BP182-1 473368 37, BP178-2 42, BP182-2 473560,10, AP1562-1 473575,30, AX1865-2 473908,8, AP1564-1 473915,11, BP178-1 473920 55, BP76-3 74, BP183-4 473939, 39,4AC217-1 473943 13, AP1562-1 15, AP1562-1 30, AP1558-2 33, AP1558-2 37,4AC217-1 473950, 46,4AC217-1 473955 11, AP1562-1 5, AP1559-1 63, 4AC217-2 473958.4, AP1566-1</p>	<p>473975,3, AP1566-1 473976,5, AP1566-1 473982,4, AP1563-1 473986 15, AP1559-1 32, 4AC217-1 5, AP1562-1 473996, 12, AP1558 473988,17, AP1559-1 474005 24, AP1558-1 8, AP1561-1, AP1562-1 474007,3, AP1558-1 474018,13, AP1560-1 474018,13, AP1560-1 474037, 21, AP1555-1 474038, 22, AP1555-1 474041, 20, AP1554 474056,4, AP1559-1 474059,5, AP1842-1 474060,6, AP1842-1 474064 28, AP1558-1 54, 4AC217-2 474101,6, AP1556-1 474105,34, AP1558-2 474129,9, AP1559-1 474138,16, AP1554-1 474298 17, AX1864-1 34, AX1449-2 474300 17, AX1864-1 34, AX1449-2 474312,45, AX1865-2 474313,46, AX1865-2 474783,24, BC153-1 475057,3, AP1563-1 475059 14, AX1851-1 5, AX1415-1 475201 10, AP1559-1 11, AP1559-1 475260, 16,3AA249-2 475379, 20,6BB158 476074 29, AP1558-2 4, AP1562-1 5, AP1563-1 476168 2, AP1567-1 4, AP1564-1 476318, 5,10DA318-1 476321, 6,10DA318-1 476322,9,10DA318-1 476324,10,10DA318-1 476325, 11,10DA318-1 476341, 8, 10DA318-1 476850 13, 10DA318-1 14, 10DA318-1</p>	<p>15,10DA318-1 76954, 2AA165-0 13, AP1561-1 477473 22, AX1449-1 57, AX1851-3 477474,50AX1851-3 477475,29AX1851-2 477476,30AX1851-2 477538,2,AX1584-1 477693,27,AX1449-1 477781,14,AP1559-1 477847,12,AX1865-1 477964,1,AX1584-1 478022,5,AX1851-1 479218,8,6BB156-1 479275,69,10BA301 48384, 36, 10AA636 488236 11, 10AA633-1 8, 10AA634-1 491718, 1, 8AA503-1 491779,26,12AA461 493481, 22, 12AA461-1 493789, 5, 6BB158-1 494918, 16, 12AA461-1 495931 2, 8AA481-1 3, 8AA480-1 496162,24,12AA461 496425,12, AX1412 496426,21,AX1449-1 496428,22,AX1865-1 496429,27,AX1865-1 496430,62,AX1851-3 496431,64,AX1851-3 496538,3,12AA461-1 496653,45,12AA461 496680,76,11AA1033 11AA1034-3 496682, 20,1AA1034 496687, 50, 11AA1033-2, 11AA1034-2 496735,17,12AA461-1 496810, 12, 10AA635-1 496829, 25, 10AE763-1 496830, 19, 10AE763-1 496861, 31, 10AE763-2 497922, 35, 6BB156-2 508565, 2AA165-0 508802, 32, 4AB149-2 5239, 7, 10CE15-1 524789, 48,4AB151-1 525596, 14, 5AA101 5323, 60, 11AA1033-3 11AA1034-3 53501, 19, 9AA322-1 5398, 11, 6BB156-1 54232 11, 8AD202-1 20, 9AA322-1 22, 11AA1033-1,</p>	<p>11AA1034-1 24, 11CD133-1 67, 11AA1033-3, 11AA1034-3 54242, 22,4AA626-1 548112,4,10DA318-1 548894 12,10DA318 548898,7, AP1559-1 549100,10,11CD130 54951 27, 6BB156-1 56, 11AA1033-2, 11AA1034-2 549672,17,10DA318- 549774,16,10DA318 550482, 4, AP1565-1 550493, 10, AP1560-1 550499, 18, AP1558 550507, 6, AP1561-1 550556 2, AX1864-1 38, AX1449-2 550557 2, AX1864-1 38, AX1449-2 550626 35, BP178-2 40, BP182-2 550627 36, BP178-2 41, BP182-2 550632,40, BP76-2, BP183-2 550636,49, BP76-3, BP183-3 550705 3, BP178-1, BP182-1 56, BP76-3 75, BP183-4 551239,3,10DA318-1 551255,8,4AA607-1 551256,9,4AA607-1 551257,11,4AA607-1 551258,10,4AA607-1 551259,12,4AA607-1 551373,46, BP76-2 551451,31,8AA501-1 551500,48,4AC217-1 551615 17, AX1864-1 34, AX1449-2 551616 2, AX1864-1 38, AX1449-2 551662 14, AP1842-2 6, AP1565-1 551774, 13, 10CE15-1 551858, 11, 4AC217 551859, 10, 4AC217 552418, 7, AP1958 552502, 8, 11CD130-1 552504, 33, BC153-2 552509, 4, AX 1851-1 552510, 52, AX1851-3 552512, 36, AX1851-2</p>
--	--	--	---	---	---	--

PARTS INDEX: Part No., Item No., - Page
CATALOG 809860 R 11 - 09

552513,22, AX1851-1	561773,57, BP183-3	561810,51, BP76-3,	21, BP182-1	6, BP203-1	29, AX1865-2	563905,16, AX1415-1
552514,16, AX1851-1	561774,37, BP76-2,	BP183-3	561838,55, BP183-3	562086,35,10AA636-1	562508	1, AX1851-1
552515,5, AX1851-1	BP183-2	561812	561839,56, BP183-3	562088, 37, 10AA636-1	16, AX1450-1	77,4AB151-1
552516	561775,32, BP76-2	561812	561840,1, BP178-1	562089, 42, 10AA636-1	562509	564074,46, AX1851-2
17, AX1864-1	BP183-2	561813	561841,2, BP178-1	562090, 41, 10AA636-1	17, AX1450-1	564076,3, AX1851-1
34, AX1449-2	561777,46, BP183-3	561813	561930	562092, 39, 10AA636-1	36, AX1865-2	564133
552517	561778,53, BP183-3	561813	27, BP178-1	562093, 43, 10AA636-1	562510	13, AX1450-1
2, AX1864-1	561779,60, BP183-3	561813	32, BP182-2	562095, 40, 10AA636-1	18, AX1450-1	33, AX1865-2
38, AX1449-2	561780,59, BP183-3	561814	561931,60, BP178-2	562148	37, AX1865-2	564214,44, AX1851-2
552518,11, AX1851-1	561781,59, BP183-3	561814	BP182-3	65, BP182-3	562512	564215,40, AX1851-2
552522,17, AX1851-1	561782,59, BP183-3	561814	561932	99, BP183-4	25, AX1450-1	564216,42, AX1851-2
552523,48, AX1851-3	561783,59, BP183-3	561815	70, BP76-3	562265,35, AX1449-2	42, AX1865-2	564223,10, AX1851-1
552524,2, AX1851-1	561784,38, BP76-2,	561815	90, BP183-4	562317,5, BC108-1	562513	564226,39, AX1851-2
552528,58, AX1851-3	BP183-2	561815	561933	562318,6, BC108-1	24, AX1450-1	564234,14, AX1415-1
552531,28, AX1851-2	561785,31, BP76-2	561816	71, BP76-3	562319,7, BC108-1	43, AX1865-2	564242,63, AX1851-3
552532,49, AX1851-3	BP183-2	561816	91, BP183-4	562320,8, BC108-1	562514	564243,47, AX1851-2
552537,26, AX1851-2	561786,28, BP76-2	561816	561934	562354, 74, 10AE763-3	12, AX1450-1	564245,38, AX1851-2
552538,21, AX1851-1	BP183-2	561818,64, BP183-3	61, BP178-2, BP182-3	562355, 75, 10AE763-3	44, AX1865-2	564246,43, AX1851-2
552608,4, BC108-1	561787,58, BP183-3	561819,65, BP183-3	72, BP76-3	562427,5, AX1851-1	562515	564247,41, AX1851-2
552622,25, BC153-1	561788,39, BP76-2	561820	92, BP183-4	562461, 34, 10AA636-1	15, AX1450-1	564248,8, AX1851-1
552629,3, BC153-1	BP183-2	561820	561935,93, BP183-4	562469,3, AX1856-1	49, AX1865-2	564250,31, AX1851-2
552634, 15, BC153-1	561789,19, BP76-1	561821	561936	562470,5, AX1412-1	562516,25, AX1415-1	564551, 9, AP1956
552894, 16, AP1558	BP183-1	561821	62, BP182-3	AX1856-1	562520,21, AX1415-1	564679,57, AX1865-2
55404, 38, 8AA501-2	561700,26, BP76-2	561821	94, BP183-4	562472	562521,17, AX1415-1	564680,57, AX1865-2
5549, 9, 6BB156	BP183-2	561822	561937	1, AX1864-1	562522,18, AX1415-1	564681,57, AX1865-2
561187, 3, BC108-1	561791, 1, BP76-1	561822	63, BP182-3	44, AX1449-2	562523,23, AX1415-1	564693,3, AX1584-1
561198, 2, BC108-1	BP183-1	561822	95, BP183-4	562474,5, AX1449-1,	562524,24, AX1415-1	564898,19, AX1865-1
561340, 7, 10DA318-1	561792, 5, BP76-1	561823	561938,96, BP183-4	AX1864-1	562525,13, AX1415-1	564903,18, AX1865-1
561620, 11, 10CE15-1	BP183-1	561823	561939,97, BP183-4	562475,14, AX1865-1	562526,1, AX1866-1	565998
561621, 10, 10CE15-1	561793,20, BP76-1	561823	561940	562476,9, AX1449-1,	562531,2, AX1412-1,	14, AX1450-1
561622, 9, 10CE15-1	BP183-1	561823	78, BP76-3	AX1864-1	AX1856-1	34, AX1865-2
561623, 3, 10CE15-1	561794,25, BP76-2	561824,10, BP182-1	98, BP183-4	562477,10, AX1449-1,	562547,1, AX1415-1	57446, 2, 8AA500-1,
561624, 5, 10CE15-1	BP183-2	561825,9, BP182-1	561941,64, BP182-3	AX1864-1	562548,4, AX1415-1	8AA501-1
561625, 6, 10CE15-1	561795, 15, BP76-1	561826,11, BP182-1	561942	562478,11, AX1449-1,	562550,7, AX1415-1	5804
561637, 2, 10CE15-1	BP183-1	561827	65, BP178-2	AX1864-1	562554,20, AX1415-1	22, 9AA322-1
561749,2AA165-0	561796,14, BP76-1	561827	79, BP76-3	562479,12, AX1449-1,	562567,1, AP1566-1	49, 10AE763-2
19, BP178-1	BP183-1	561828	561943	AX1864-1	562706,77,10AE763-3	58112,20, BC153-1
24, BP182-1	561797,12, BP76-1	561828	3, BP180-1, BP184-1	562480,13, AX1449-1,	562750,2, AX1865-1	58113,21, BC153-1
561757,1, BP182-1	BP183-1	561828	5, BP203-1	AX1864-1	562752,10, AX1865-1	581732, 34, 9AA322-2
561758,2, BP182-1	561798,13, BP76-1	561829	561944,2, BP180-1,	562481,14, AX1449-1	563226,10, AP1555-1	58528
561759,5, BP182-1	BP183-1	561829	BP184-1	AX1864-1	563233	19, 4AB152-1
561760	561799,18, BP76-1	561829	561945	562482,15, AX1864-1	2, AP1556-1	26, 6BB156-1
30, BP178-1	BP183-1	561829	42, BP178-2	562483	3, AP1556-1	3, 8AA500-1,
35, BP182-2	561800,17, BP76-1,	561830	47, BP182-2	18, AX1864-1	563497,7, AX1851-1	8AA501-1
49, BP178-2	BP183-1	561830	561946	40, AX1449-2	563501,45, AX1851-2	59, 11AA1033-2,
54, BP182-2	561801,16, BP76-1,	561830	40, BP178-2	562485	563502,37, AX1851-2	11AA1034-3
561761	BP183-1	561830	45, BP182-2	15, AX1851-1	563506,18, AP1558	6, 6BB158-1
50, BP178-2	561802,11, BP76-1,	561830	561947,32, AX1851-2	23, AX1864-2	563532, 7, AP1554-1	9,8AA503-1
55, BP182-2	BP183-1	561831,20, BP182-1	562001.73, BP76-3	45, AX1449-2	56354	58530, 21, 4AA626-1
561762,23, BP76-2,	561803,9, BP76-1,	561833	562002	562486,24, AX1449-1,	10, 10AE763-1	58531
BP183-2	BP183-1	561833	62, BP178-2	AX1864-2	18, 4AA624-1	20, 4AB152-1
561763,61, BP183-3	561804,10, BP76-1,	561833	74, BP76-3	562489,4, AX1865-1	21, 9AA322-1	4, 8AA503-1
561764,24, BP76-2,	BP183-1	561834	562003	562490, 2, AX1450-1	563744,9, AP1565-1	58536
BP183-2	561805,7, BP76-1,	561834	63, BP178-2	5, AX1865-1	563758, 10, 4AC217	18, 6BA215-1
561765	BP183-1	561835	75, BP76-3	562499,20, AX1865-1	563903,6, AX1865-1	9,10AE763-1
22, BP178-1	561806,8, BP76-1	561835	562004,76, BP76-3	562500,21, AX1865-1	563904	58538
27, BP182-1	BP183-1	561835	562005,77, BP76-3	562502,21, AX1865-1	22, AX1864-2	22, 4AA624-1
561766,62, BP183-3	561807	561835	562006,64, BP178-2	562503,28, AX1865-2	43, AX1449-2	8,10AE763-1
561767,68, BP183-3	48, BP76-3, BP183-3	561836	562040	562504	563906,26, AX1415-1	58546
561769, 66, BP183-3	70, BP183-3	561836	43, BP178-2	11, AX1450-1	564073	20, 4AB149-1
561770, 67, BP183-3	561808,69, BP183-3	561837	48, BP182-2	4, BP180-1, BP184-1		3, 4AA606-1
561771, 52, BP183-3	561809,22, BP76-1,	561837	562043			4,4AB152-1
561772, 54, BP183-3	BP183-1	561837	4, BP180-1, BP184-1			6, 4AA624-1

PARTS INDEX: Part No., Item No., - Page

CATALOG 809860 R 11 - 09

<p>58548 11, 4AA623-1 14,4AB149-1 19, 6BA215-1 21, 4AA606-1 23, 10DA318-1 4, 10AE763-1 7, 4AA624-1 58557, 8, 4AB149-1 58574, 17, 7AA63-1 58588, 10, 4AA606-1 58633 1,7A314-1 7, 8AA502-1 600365 66, BP178-2 67, BP182-3 600366 66, BP182-3 67, BP178-2 600525,28, BC153-1 600549,4, AX1856-1 600552,25, AX1864-2 600558,37, AX1415-1 600559,15, AX1865-1 600582,36, AX1415-1 600593,12, AX1851-1 600594,66, AX1851-3 600595,18, AX1851-1 600596,23, AX1851-1 600670 22, AX1450-1 40, AX1865-2 600716,3, AP1564-1 600726, 20, 10DA318-1 600753, 25, 10DA318-1 600792 1, BP180-1, BP184-1 51, BP178-2 56, BP182-2 601243,8, AX1449-1, AX1864-1 601246 31, AX1865-2 9, AX1450-1 601558,3, AX1449-1 601561,6, AX1584-1 601589,8, BC153-1 601590,13, BC153-1 601592,30, BC153-2 601593,17, BC153-1 601594,14, BC153-1 601597,18, BC153-1 601673, 13, AC217 601828,10, AP1566-1 601829,16, AP1566-1 601935,2, AX1449-1 601937,18, AX1449-1 601941,16, AX1449-1 601943,17, AX1449-1 601944,28, AX1449-1 601945,1, AX1449-1 601946,29, AX1449-2 601947,30, AX1449-2 601948,31, AX1449-2 601949,23, AX1449-1 601950,32, AX1449-2</p>	<p>601983,24, AX1851-2 601998,26, AX1449-1 602007,38, AX1415-1 602061,7, BC153-1 602062,16, BC153-1 602063,19, BC153-1 602064,22, BC153-1 602065,29, BC153-2 602094, 12, 10AA636-1 602095, 16, 10AA636-1 602096, 2AA165-0 13, 10AA636-1 602097, 14, 10AA636-1 602098, 17, 10AA636-1 602099, 15, 10AA636-1 602190,59, AX1865-3 602218,6, AX1415-1 602219,45, AX1865-2 602220,41, AX1865-2 602275,61, AX1865-3 602293 14, AX1412-1 4, AX1856-1 602296,15, AX1415-1 602729 100, BP183-4 80, BP76-3 602730 101, BP183-4 81, BP76-3 602780,36, AX1449-2 602787,1, AX1450-1 602788,7, AX1450-1 602789,20, AX1450-1 603303,20, AX1449-1 603310,15, AX1449-1 603311,19, AX1449-1 603312,25, AX1449-1 603313,46, AX1449-2 603316,23, AX1450-1 603317,30, AX1450-1 603433, 22, 1554 603534,2, BC153-1 603638 26, AX1865-1 4, AX1450-1 6, AX1412-1, AX1856-1 603639 25, AX1865-1 5, AX1450-1 7, AX1412-1, AX1856-1 603640,26, AX1450-1 603648,3, AX1864-1 603649,3, AX1865-1 603650,11, AX1865-1 603651,13, AX1865-1 603652,22, AX1865-1 603653,23, AX1865-1 603654,27, AX1865-1 603655,60, AX1865-3 603656,4, AX1866-1 603657,5, AX1866-1 603681,7, AX1866-1 603723,59, AX1865-3 603821,3, AX1856-1</p>	<p>603838,31, AP1558-2 603891,11, AP1560-1 604252,41, AX1865-2 604253,41, AX1415-1 604258,5, BP180-1, BP184-1 604656 28, AX1865-2 602094, 12, 10AA636-1 604854,57, AX1865-3 604879,4, AP1554-1 604880,12, AP1554-1 604881,8, AP1554-1 604882,13, AP1554-1 604883,11, AP1554-1 604887,17, AP1554-1 604888,18, AP1554-1 604889,14, AP1554-1 604894,3, AP1555-1 604895,3, AP1555-1 604896,3, AP1555-1 604897,3, AP1555-1 604904,12, AP1555-1 604905,13, AP1555-1 604906,14, AP1555-1 604907,15, AP1555-1 604908,16, AP1555-1 604909,17, AP1555-1 604910,18, AP1555-1 604911,19, AP1555-1 604912,8, AP1555-1 604921,18, AP1556-1 604922 19, AP1556-1 25, AP1556-1 604924,22, AP1556-1 604925,23, AP1556-1 604931,2, AP1557-1 604932,3, AP1557-1 604934,7, AP1557-1 604936,11, AP1557-1 604937,12, AP1557-1 604938,13, AP1557-1 604939,14, AP1557-1 604941,13, AP1558-1 604943,15, AP1558-1 604944,16, AP1558-1 604945,17, AP1558-1 604950,5, AP1558-1 604954,3, AP1559-1 604958,2, AP1560-1 604960,4, AP1560-1 604961,5, AP1560-1 604962,6, AP1560-1 604963,7, AP1560-1 604964,8, AP1560-1 604965,9, AP1560-1 604966,12, AP1560-1 604969,1/, AP1560-1 604973 65, 4AC217-2 7, AP1561-1 604974,9, AP1561-1 604975,10, AP1561-1 604976,11, AP1561-1 604977,12, AP1561-1</p>	<p>604986,12, AP1562-1 604988,2, AP1563-1 604997,2, AP1564-1 604999,2, AP1565-1 605000,3, AP1565-1 605001,7, AP1565-1 605003,12, AP1565-1 605013, 2AA165-0 26,4AC217-1 605014, 25, 4AC217-1 605019, 33, 4AC217-1 605021, 36, 4AC217-1 605026, 44, 4AC217-1 605029, 50, 4AC217-2 605030 1, 11CD130-1 51, 4AC217-2 605036, 59, 4AC217-2 60998, 14, 4AB152-1 61308 18, 7AA63-1 19, 4AB149-1 61323, 63, 10AE763-3 61545, 17, 10AE763-1 61674 1, 8AA500-1, 8AA501-1 10, 8AA475-1 18,4AB152-1 20, 6BA215-1 25, 6BB156-1 7, 6BB158-1 70, 11AA1033-3, 11AA1034-3 8,8AA503-1 61676 12,4AB149-1 14, 4AA623-1 21,6BA215-1 27, 10AE763-2 4, 4AA624-1 5,4AA606-1 61680, 10, 4AB149-1 61683 19, 7AA63-1 2, 7AB14-1 9, 7AA61-1 61801, 17, AC216 61974, 21, 11AA1033-1, 11AA1034-1 62179, 3, 4AB152-1 62203 27,4AB149-2 8, 4AA624-1, 4AA606-1 63544, 14, 8AA475-1 63546 10, 9AA323-1 16, 6AA374-1 23,9AA372-1 63547 1, 10AE763-1 11, 4AB149-1 44, 4AA625-1 63727 14, 5AA101-1 63545, 23, 4AB149</p>	<p>16, 8AA501-1 18,8AA500-1 7, 4AC216-1, 10AA634-1 9, 10AA633-1 63754 16, 10AE763-1 20, 7AA63-1 63936, 9, 6AA374-1 660297, 36, 11AA1033-2, 11AA1034-2 686343, 1, 11AA1033 2, 11AA1034 687325, 42, 11AA1033-2, 11AA1034-2 77808, 46, 12AA461 78411, 36, 4AC217 78806, 75, 11AA1033 79126, 24, 11AA1034 702000, 1, AP1555 702007,7, AP1558-1 702008,16, AP1559-1 702010, 17, AP1560 702015,2, AP1568-1 702025,1, AP1559-1 702034, 31, AP1556 702037, 8, 4AC217 702039, 15, 4AC217 702049, 34, 4AC217 702050, 35, 4AC217 702052, 64, 4AC217-2 702054,8, AP1565-1 702059,57, AX1865-3 702060,57, AX1865-3 702067,4, AX1866-1 702080,2, AP1559-1 702126, 27, AP1556 702138 3, AX1450-1 4, AX1865-1 702147,7, AX1866-1 702158,45,4AC217-1 702283 26, AP1556-1 5, 11CD130-1 702286,3, AP1842-1 702287,2, AP1842-1 702289,4, AP1842-1 702291,13, AP1559-1 702310,26, AP1558-1 702311, 2/, AP1558-1 702312,32, AP1558-2 702318 24, AP1556-1 6, 11CD130-1 702336, 1, AP1564 702381,2, BP203-1 702382,3, BP203-1 702383,4, BP203-1 702384 6, BP180-1, BP184-1 8, BP203-1 702388 32, BP178-2 37, BP182-2</p>	<p>702494, 2AA165-0 10, AP1842-1 702618,20, AP1555-1 702619, 14, AP1566 702639 1, BP203-1 52, BP178-2 57, BP182-3 702657,21, AP1554-1 702660,14, AP1562-1 702709 4, 11CD130-1 79, 4AC217-2 702733, 22, 4AC217 702734, 25, 4AC217 31, AP1556 702735, 23, 4AC217 702736, 24, 4AC217 702759, 1, AP1565-1 702760, 49, 4AC217-1 702762,8, AP1563-1 702819 102, BP183-4 82, BP76-3 703172, 8, AP1559 703472.104, 8BP183-4 84, BP76-3 704546,6, AP1563 704578, 1, AP1958 704713, 9, 4AC217 704926, 42, 4AC217 704934, 21, AP1556 704936, 6, AP1958 704937, 2, AP1958 704938, 3, AP1958 705009 13, BP178-1 17, BP182-1 705459, 5, AP1561 705892 103, BP183-4 83, BP76-3 705991, 14, 4AC217 706587, 47, 4AC217 706964, 15, AP1554 706974, 6, 4AC217 706971, 2, AP1559 706972, 21, AP1559 706975, 7, 4AC217 71940, 25, 4AA606-1 720991,36, 11AA1033 72339, 3, 10AF562-1 73191, 18, 10AE763-1 736851, 30, 4AC217 73979, 23, 4AA624-1 740844, 11, AP1554 740862, 6, AP1557 10, AP1557 740873, 15, AP1557 741054, 37, 4AC217 744839, 1, AP1560 745076, 1, AP1556 745669, 11, AP1559 745798, 4, AP1555 745800, 1, AP1561 745801, 19, AP1554 745999, 9, AP1556</p>	<p>746100, 4, AP1555 746101, 4, AP1555 746102, AP1555 746434, 1, 4AC217 746435, 45, 4AC217 747371, 16, AP1557 747530, 10, AP1559 747605, 9, AP1555 747606, 1, AP1556 747607, 4, AP1556 747608, 5, AP1556 747609, 8, AP1556, 8, AC217 747610, 10, AP1556 747611, 16, AP1556 747612, 17, AP1556 747614, 1, AP1557 747615, 4, AP1557 747616, 9, AP1557 747616, 5, AP1557 747617, 8, AP1557 747619, 10, 4AC217 747620, 29, 4AC217 747621, 14, AP1560 747622, 1, AP1563 747624, 5, 4AC217 747625, 2, AC217 747626, 48, AC217 747627, 41, AC217 747648, 1, AP1559 748404, 1, AP1554 748412, 39, 4AC217 75498, 17, 4AB152-1 75992, 8, 6AA374-1 76571, 27, 12AA461-1 77399, 12, 5AA101-1 775827, 19, AP1559 78086, 4, 4AA607-1 78088, 13, 4AA607-1 781742, 1, AP1567 78806, 83, 11AA1033-3 79126,36,688156-2 24, 11AA1034 79533 22, 11CD133-1 6, 8AD202-1 61, 11AA1033-3 11AA1034-3 79570, 24, 9AA322-1 800554,17,10AF562 801820, 1, 4AA606-1 801822, 7, 4AA606-1 801851 21, 10DA318-1 3, 10AE763-1 801864 3,613E3156-1 8,688158-1 801885,5,6E313156-1 801886,17,688156-1 801943, 24, 4A8149-1 801949, 2, 4AA624-1 801950, 3, 4AA624-1 801992 1, 4AB149-1 65, AX1851-3 78,4AB151-1 802010,24,688156-1</p>
---	---	--	---	--	---	---

PARTS INDEX: Part No., Item No., - Page

CATALOG 809860 R 11 - 09

<p>802025, 1, 8AA475-1 802047,3, 6AA369-1 802048, 6, 7AB14-1 802049, 16, 7AB14-1 802054,19,688156-1 802118, 5, 3AA248-1 802120, 2,4A8149-1 802126, 15, 3AA248-2 802127, 4, 3AA248-1 802225, 30, AC216 802263, 12, 10AA633-1 802292, 16, 4AB149-1 802354 13, 10AA633-1 23, 10AA634-1 802358, 53, 10AE763-3 802367, 26, 10AE763 802398, 2, 8AA480-1 802451, 13, 10AA634-1 802504, 11, 4AB152-1 802661, 4, 3AA249-1 802769, 1, 9AA323-1 802771 10,8AA501-1 11, 8AA500-1 802755, 13, 8AA500, 8AA501 802779,22,61313156-1 802833, 11, 12AA461-1 802874, 25, 9AA322-1 802876,28,6138156-1 802884, 2, 9AA323-1 802885, 36, 4AA625-1 802887, 39, 4AA625-1 802889, 37, 4AA625-1 802892, 38, 4AA625-1 802898, 36, 4AB149-2 802934,26,4AA606-1 802936, 15, 11AA1033-1 11AA1034-1 802937, 37, 11AA1033-2 11AA1034-2 802942, 8, 9AA323-1 802943, 5, 9AA323-1 802944, 3, 9AA323-1 802945, 6, 9AA323-1 802946, 7, 9AA323-1 802964, 19, 3AA248-2 802977, 39, 11AA1033-2, 11AA1034-2 802983, 1, 10AF562-1 802986, 74, 11AA1033-3 803004, 8, 3AA249-1 803007, 8, 3AA248-1 803011, 11, 3AA248-1 803020, 15, 10AF562-1 803025, 11, 10AE763-1 803026 30, 10AE763-2 53, 4AB151-1 803027, 39, 10AE763-2 803028, 37, 10AE763-2 803030, 36, 10AE763-2 803031,21,10AE763-1</p>	<p>803032, 22, 10AE763-1 803039 20,10AA634-1 21, 10AA633-1 803071,2AA165-0 803079, 26, 9AA322-1 80308 19,688158-1 5,4AA607-1 803127, 37, 12AA461 803138, 8AA503-2 803140, 30, 8AA503-2 803142, 29, 8AA503-2 803144, 28, 8AA503-2 803156, 36, 12AA461 803168, 5, 8AA503-1 803169, 6, 8AA503-1 803174, 12, 4AB152-1 803175, 9, 4AB152-1 803177 4, 10AF562-1 74, 10BA301-1 803180,13,4AB152-1 803182 22, 4AB152-1 7,10AF562-1 803184 16, 10AF562-1 24, 4AB152-1 73, 10BA301-1 803185,16,4A8-152-1 803187,75,10BA301-1 803188,70,10BA301-1 803194,76,1013A301-1 803196 2, 4AB152-1 5,10AF562-1 803198, 18, 10AF562-1 803199, 19, 10AF562-1 80, 10BA301 803202, 7, 8AA503-1 803205, 2, 4AB149 803208, 2, 8AA503-1 803209, 3, 8AA503-1 803269, 12, 10AA634-1 803270, 50, 4AB151-1 803271, 33, 4AB149-2 803275,42,4AB149-2 803282,4,7A1314-1 803285, 21, 7AA63-1 803293, 54, 10AE763-3 803313, 42, 12AA461-2 803326, 55, 10AE763-3 803328, 56, 10AE763-3 803388, 1, 4AA607-1 803392,4AA607-1 803393, 8, 8AA500-1, 8AA501-1 803409, 11, 4AA626-1 803458, 14, 8AA500-1, 8AA501-1 803461, 15, 8AA500-1, 8AA501-1</p>	<p>803470-1 21, 10AE762-1 52, 10AE763-3 803470-2 22,10AE762-1 52, 10AE763-3 803470-3 23, 10AE762-1 52, 10AE763-3 803470KIT 20,10AE762-1 9, 10AE737-1 803501, 13, 4AA624-1 803543, 14, 3AA249-2 803560, 8, 6AA369-1 803566, 38, 4AB151-1 803570, 39, 4AB151-1 803585, 40, 4AB151-1 803611, 37, 4AB151-1 803621, 36, 8AA503-2 803622, 34, 8AA503-2 803623, 35, 8AA503-2 803624, 39, 8AA503-2 803625, 37, 8AA503-2 803626, 38, 8AA503-2 803663 10, 8AA500-1 9, 8AA501-1 803666, 47, 12AA461-2 803667,48,12AA461-2 803677, 27, 9AA322-1 803684, 1, 4AB152-1 803723, 9, 10AA635-1 803733, 24, 10AA634-1 803734, 45, 10AE763-2 803735, 26, 10AA634-1 803768, 14, 6AA374-1 803817, 2, 10AE737-1 803818, 1, 10AE737-1 803820, 3, 10AE737-1 803821, 4, 10AE737-1 803822, 5, 10AE737-1 803823, 6, 10AE737-1 803824, 7, 10AE737-1 803825, 8, 10AE737-1 803827,10AE737-1 44, 10AF763-2 803840, 11, 10AE737-1 803841, 10, 10AE737-1 803842, 16, 10AE737-1 803843, 15, 10AE737-1 803844, 14, 10AE737-1 803845, 13, 10AE737-1 803855, 16, 10AE737-1 803856, 15, 10AE737-1 803857, 13, 10AE737-1 803858, 14, 10AE737-1 803859, 13, 10AE737-1 803860, 14, 10AE737-1 803861, 13, 10AE737-1 803862, 14, 10AE737-1 803875, 14, 4AA607-1</p>	<p>803885, 3, 4A8149-1 803886, 31, 4AB151-1 803920, 22, 7AA63-1 803922, 23, 7AA63-1 803966, 28, 10AA634-1 804024, 14, 8AA503-1 804025, 15, 8AA503 804064 1, AX1855-1 15, 7AB14-1 804222,9,61313158-1 804272, 13, 8AA501-1 804326, 28, 9AA322-2 804327, 29, 9AA322-2 804338, 34, 4AA623-1 804339, 42, 4AA623-1 804345, 33, 4AA625-1, 9AA322-2 804346, 32, 9AA322-2 804358,11,8AA502-1 804432, 1, 4AA626-1, 10AA635-1 804434, 4, 10AA635-1 804435, 2, 10AA635-1 804436, 18, 3AA248-2 804439L, 17,3AA248-2 804439R, 16, 3AA248-2 804440, 14, 3AA248-2 804142L, 13, 3AA248-1 804442R, 12, 3AA248-1 804446, 7, 3AA249-1 804448L, 6,3AA249-1 804448R, 5, 3AA249-1 804450L, 10, 3AA249-1 804450R, 9, 3AA249-1 804452, 3, 3AA249-1 804454L, 2, 3AA249-1 804454R, 1, 3AA249-1 804455, 13, 3AA249-2 804457L, 12, 3AA249-2 804457R, 11, 3AA249-2 804458, 3, 3AA248-1 804459, 14, 4AA624 804460L, 2, 3AA248-1 804460R, 1, 3AA248-1 804462L, 7, 3AA248-1 804462R, 6, 3AA248-1 804464L, 10,3AA248-1 804464R, 9, 3AA248-1 804497, 10, 4AA629 804500, 12, 4AA623-1 804598, 12, 4AA626-1 804599, 26, 4AA626-1 804600, 6, 4AA626-1 804604, 34, 4AA606-2 804605, 35, 4AA606-2 804611, 43, 4AB149-2 804612, 41, 4AB149-2 804641, 46, 11AA1033-2, 11AA1034-2 804661, 44, 11AA1033-2, 11AA1034-2 804673, 1, 8AA480-1</p>	<p>804707, 16, 4AA626-1 804768,2,12AA461-1 804776 15, 4AA626-1 5,10AA635 50,10AE763-2 804806,20,68E3158-1 804808, 18, 4AA626-1 804809, 19, 4AA626-1 804819, 27, 4AA626-1 804828, 6, 6AA369-1 804831,47,11AA1033-2, 11AA1034-2 804832, 45, 11AA1033-2, 11AA1034-2 804831, 25, 4AA626-1 804880, 19, 4AA626-1, 11AA1033-2, 11AA1034-2 805118,10,4AB152-1 805119, 23, 4AB152-1 805120, 15, 4AB152-1 805121,29,4AB152-1 805537, 48, 4AA625-1 805642, 33, 10AE763-2 805677, 30, 4AB149-2 805683, 57, 11AA1033-3, 11AA1034-3 805685 22, 8AA500-1 23, 8AA501-1 805688, 24, 7AA63-1 805689, 25, 7AA63-1 805690, 26, 7AA63-1 805691, 7AA63-1 805693, 27, 7AA63-1 805694 28, 7AA63-1 4,7AA61-1 805697, 29, 7AA63-2 805698, 30, 7AA63-2 805709, 30, 4AB152-3 805876, 38, 11AA1033-1, 11AA1034-1 805877,9,11AA1033-1, 11AA1034-1 805878 21, 11CD133-1 7, 11AA1033-1, 11AA1034-1 805887 12, 8AA503-1 28, 11AA1033-1, 11AA1034-1 805888 27, 11CD133-1 29,11AA1033-1, 11AA1034-2 805889, 30, 11AA1033-1, 11AA1034-2 805902, 13, 8AA503-1 805905 16, 8AA503-1 18, 8AD202-1</p>	<p>26, 11CD133-1 79, 11AA1033-3 805906, 40, 11AA1033-2, 11AA1034-2 805907, 53, 11AA1033-2, 11AA1034-2 805911, 20, 8AD202-1 69, 11AA1033 805912 21, 8AD202-1 5, 11CC186-1 805919, 4, 11CC186-1 805923, 71, 11AA1034-3 805924 25, 11CD133-1 72, 11AA1033-3, 11AA1034-3 805936, 18, 503-1 805937, 17, 8AA503-1 805938, 24, 8AA503-1 805939, 25, 8AA503-1 805946, 81, 11AA1033-3 805947, 27, 11AA1033-3 805954, 18, 11CD133-1 805957, 19, 1100133-1 805958, 20, 11CD133-1 805976, 6, 11CC186-1 806094 26, 8AA500-1 27, 8AA501-1 806112, 78, 11AA1033 7, 11CC186 806118, 40, 7AA63-2 806132, 26, 11AA1033 806341 22, 8AD202-1 26, 8AA503-1 77, 11AA1034-3 85, 11AA1033-3 806372, 1, 10AF562 79, 10BA301 806485, 50, 12AA461 806883, 1, 10AE762-1 806884, 4, 10EA762-1 806885, 2, 10EA762-1 806886, 6, 10EA762-1 806887, 7, 10EA762-1 806888, 8, 10EA762-1 806889, 9, 10EA762-1 806890, 10, 10EA762-1 806891, 11, 10EA762-1 806892, 12, 10EA762-1 806893, 13, 10EA762-1 806894, 14, 10EA762-1 806895, 15, 10EA762-1 806896, 16, 10AE762-1 806897, 17, 10AE762-1 806898, 18, 10AE762-1 806899, 19, 4AB151-1 806993, 8, 8AA502-1 807121, 7, 11AA1033 7, 11AA1034 807150, 5, 10AE762-1 807151, 3, 10AE762-1 807156, 38, 11AA1034 807170, 10, 8AA503-1 807238, 1, AP1842 807371, 4, 5AA101, 4, 5BA215 807414, 1, 5AA101 807431, 15, 10AA633 807431KIT, 18, 10AA633 807434, 1, 4AC216 807440, 3, 4AC216 807464, 35, 4AA625 35, 9AA322 807499, 24, 8AA500 807514, 3, 11AA1033 807515, 49, 11AA1033 18, 11AA1034 807543, 1, 8AA481-1 807565, 65, 11AA1033 807594, 11AA1034 807568, 51, 11AA1033 807664, 2, 11AA1033 2, 11AA1034 807665, 11, 11AA1033 11, 11AA1034 807666, 40, 11AA1034 807667, 5, 11AA1034 5, 11AA1033 807670, 18, 11AA1033 807675, 60, AB151 807677, 86, 10BA301 807682, 92, 10BA301 807683, 38, 10AE763 49, 11AA1034 807688, 34, 4AB149 807689, 35, 4AB149 807699, 81, 10BA301 807700, 76, 10BA301 807701, 15, 10AF562 807703, 75, 10BA301 807705, 83, 10BA301 807706, 84, 10BA301 807707, 18, 10AF562 807710, 74, 10BA301 807712, 16, 10AF562 807716, 22, 10EA763 807717, 23, 10AE763 807718, 33, 10AE763 807719, 11, 10AA633 80772, 13, 10BA301 807720, 12, 10AE763 807723, 15, 8AA500 807730, 78, 10BA301 807746, 54, 11AA1033 19, 4AA606 807773, 88, 10BA301 807801, 47, 4AB151 807826, 9, 11CD132 807831, 7, 7AA61 807836, 8, 7AA61 807850, 12, AP1842</p>
--	--	---	--	---	--

PARTS INDEX: Part No., Item No., - Page

CATALOG 809860 R 11 - 09

<p>807850, 25, 4AA624 807865, 34, 9AA322 34, 4AA625 807867, 11, AP1842 24, 4AA624 807883, 23, 12AA461 807918, 2, 11CD132 807923, 40, 12AA461 807929, 35, 11AA1033 81044, 30, 6BB156-2 812106, 27, 4AA606 812172, 36, 4AA606 82520, 14, 8AA502-1 86506 25, 4AB152-1 48, 11AA1033-2, 11AA1034-2 89179, 31, 7AA63-2 919900, 93, 11AA1033 B114A3 24, 10AA633-1 9, 4AA626-1 B169, 2AA165-0 16, 4AC216-1 B2236-15, 2AA165-0 B2236-8, 25, 4AA624-1 B3500, 20, 688156-1 B3698-17, 25, 4AB149-1 B3698-21, 58, 10AE763-3 B3698-25, 7, 10AA635-1 B3698-8, 17, 4AC216-1 B4712, 20, 10AF562-1 B5407, 9, 5AA101-1 B5425, 46, 10AE763-2 B5521-6, 19, 10AE762-1 B5795, 10, 5AA101-1 B6108, 20, 12AA461-1 B6109, 1, 12AA461-1 B6119, 11, 5AA101-1 B6143, 25, 12AA461-1</p>	<p>E411, 31, 4AB152-2 K64-8, 89, 10, BA301 K134, 32, 7AA63-2 K20346SS, 4, 8AA480-1 K20348, 48, 10AE763-2 K20384, 33, 7AA63-2 K20386SS, 14, 666156-1 K20388- 14, 4AA626-1 6, 10AA635-1 7, 5AA101-1 K20391 6, 8AA481-1 9, 8AA480-1 K20424, 45, 4AA623-1 K20428 10, 10AA635-1 57, 10AE763-3 K224-6, 8, 4AA626-1 K300858 11, 6BB158-1 21, 10AF562-1 K302211, 21, 4AB149-1 K302264, 34, 7AA63-2 K33770, 5, 8AA481-1 K33795 22, 10AF562-1 46, 4AA623-1 K33799, 35, 7AA63-2 K33922, 13, 688156-1 K34691, 1, 6AA369-1 K34779, 67, 11AA1033 67, 11AA1034 K34791, 4, 8AA481-1 K34805 23, 10AF562-1 36, 7AA63-2 44, 4AA623-1 K34806, 6, 8AA480-1 K34806SS, 6, 688156-1</p>	<p>K34807 13, 4AA626-1 3, 10AA635-1 K20346SS, 4, 8AA480-1 47, 10AE763-2 6, 5AA101-1 K34808 7, 8AA481-1 8, 8AA480-1 K34992, 7, 6AA369-1 K44719 12, 6BB158-1 23, 8AA500-1 24, 8AA501-1 43, 4AA623-1 K44722 27, 4AB152-1 5, 8AA480-1 59, 10AE763-3 K44728, 8, 10AA635-1 K44748 32, 4AB152-2 5, 6AA369-1 K44877, 3, 8AA481-1 K45840, 10, 8AA502-1 K55748, 11, 10AA635-1 K55961, 7, 8AA480-1 K71B1393, 65, 10AE763-3 K72016 25, 8AA500-1 26, 8AA501-1 K72147, 37, 7AA63-2 K76176 24, 8AA500-1 25, 8AA501-1 K8-326 14, 10AA634-1 15, 10AA633-1 K87901, 1, 5AA101-1 K87907, 41, 7AA63-2</p>	<p>30, 9AA322-2 33, 8AA503-2 Z4054 31, 9AA322-2 46, 4AA625-1 47, 4AA625-1 Z4056 31, 8AA503-2 32, 8AA503-2 Z4117, 34, 10AE763-2 Z4525 24, 10AF562-1 28, 4AB152-1 64, 10AE763-3 R106, 2, 5AA101-1 R18147-3, 42, 10AE763-2 R18147-5 30, 4AA606-2 44, 4AB149-2 R19452, 56, 4AB151-1 R19829-1, 52, 4AB151-1 R 19831-2, 91, 10BA301 R19872-6, 71, 10BA301-1 R2016, 18, 12AA461-1 R25454, 5, 5AA101-1 R25456, 8, 5AA101-1 R32 10, 7AB14-1 5, 7AA61-1 R40, 43, 12AA461-2 R4584, 3, 5AA101-1 R4584, 3, 5AA101-1 T51534, 39, 7AA63-2 Z2880, 49, 12AA461-2 Z4053</p>
---	---	--	---