

MODEL NUMBER SIGNIFICANCE CHART

1		2		3		4		5		6		7	8	9	10
5		H		1		2		0		-		1	5	2	4

5 = OPEN COMPRESSOR

H = 3 1/4" DIA. BORE

NUMBER OF CYLINDERS
(4,5,8 OR 12)

0 = ORIGINAL DESIGN

6 = LONG STROKE

HYPHEN

SEQUENTIAL ONLY

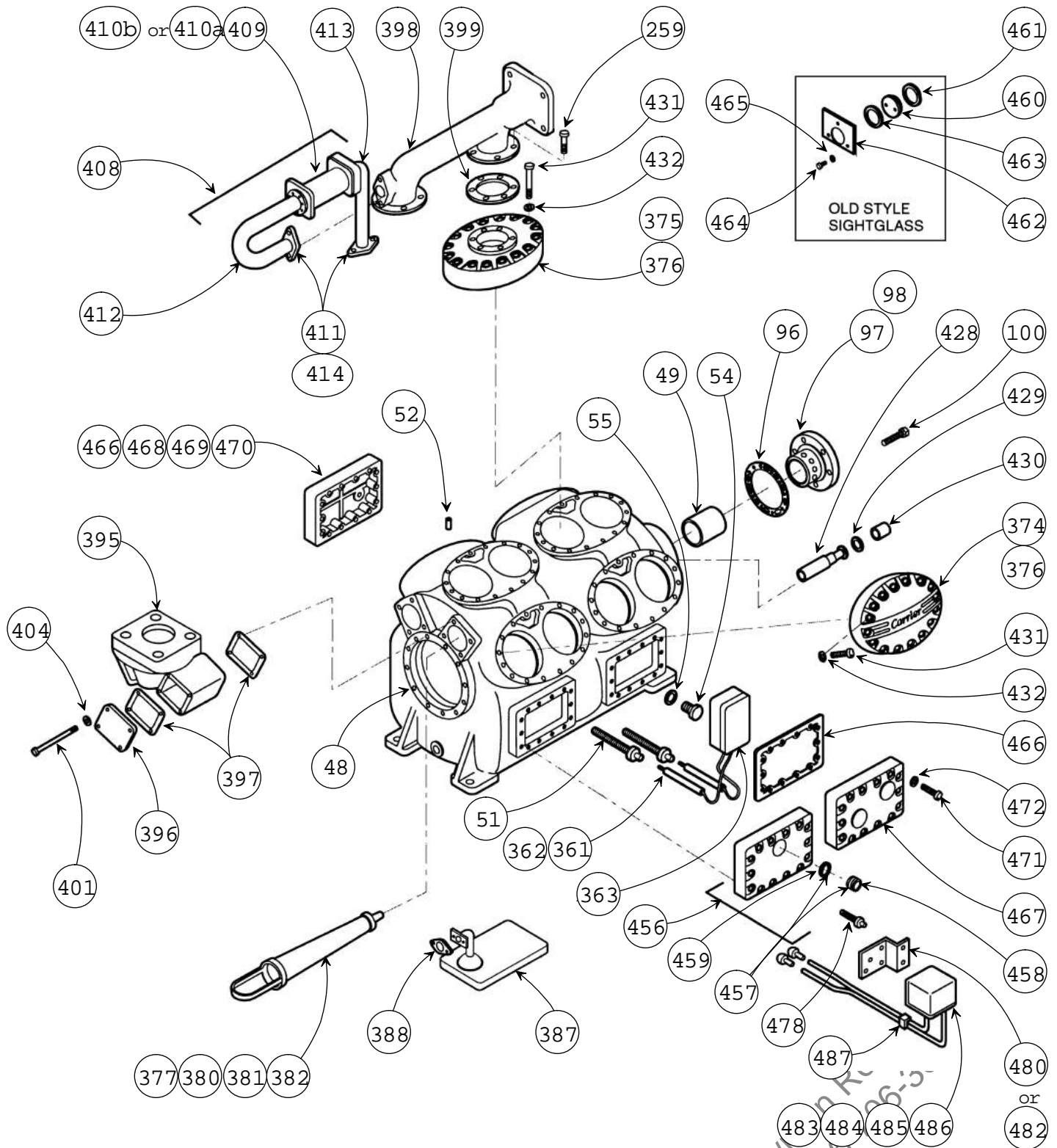
USED FOR SALVAGE PARTS
AND PROCEDURES

-S1 = .010 UNDERSIZE

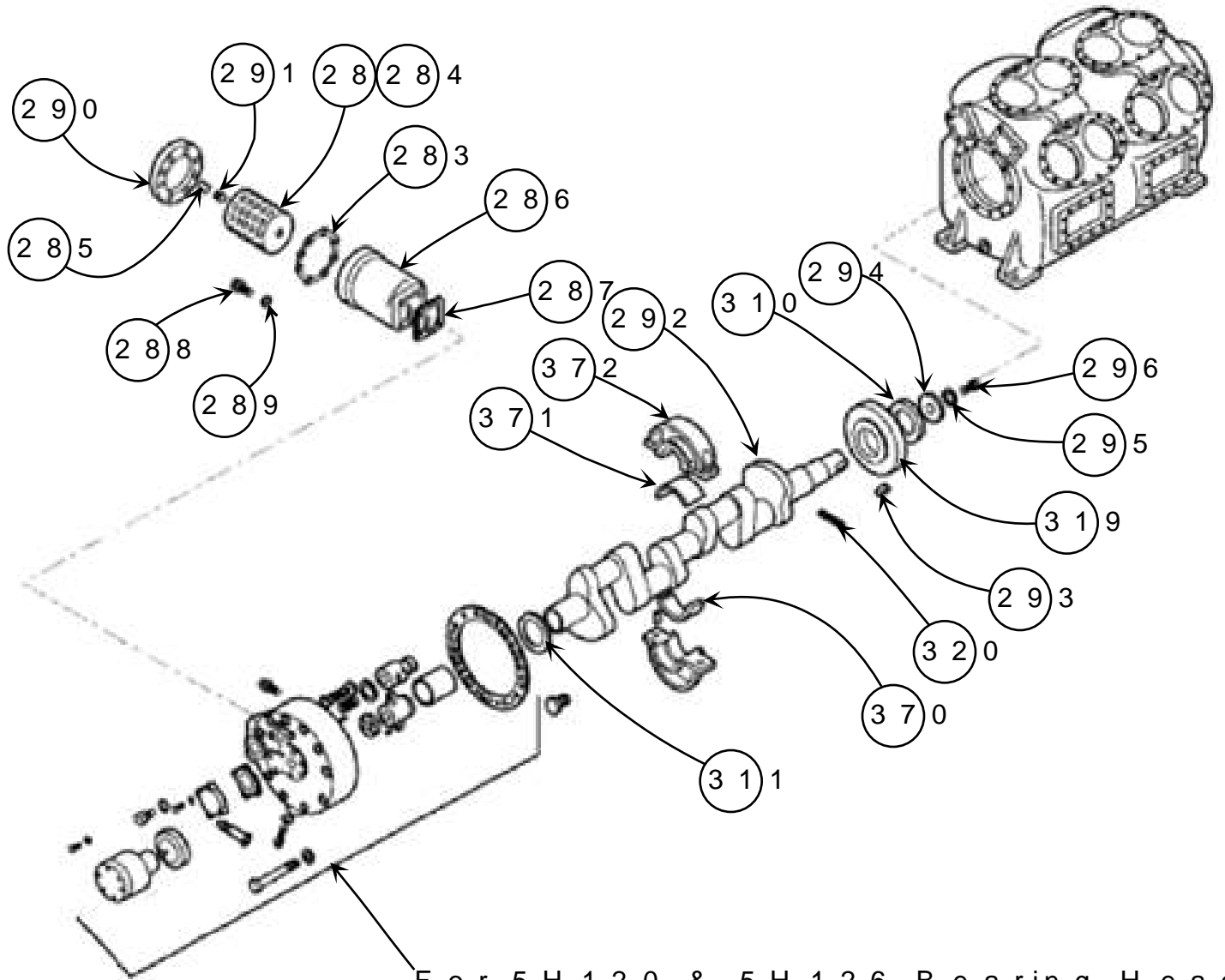
-S2 = .020

-S3 = .030

Bowman Refrigeration
206-706-3033



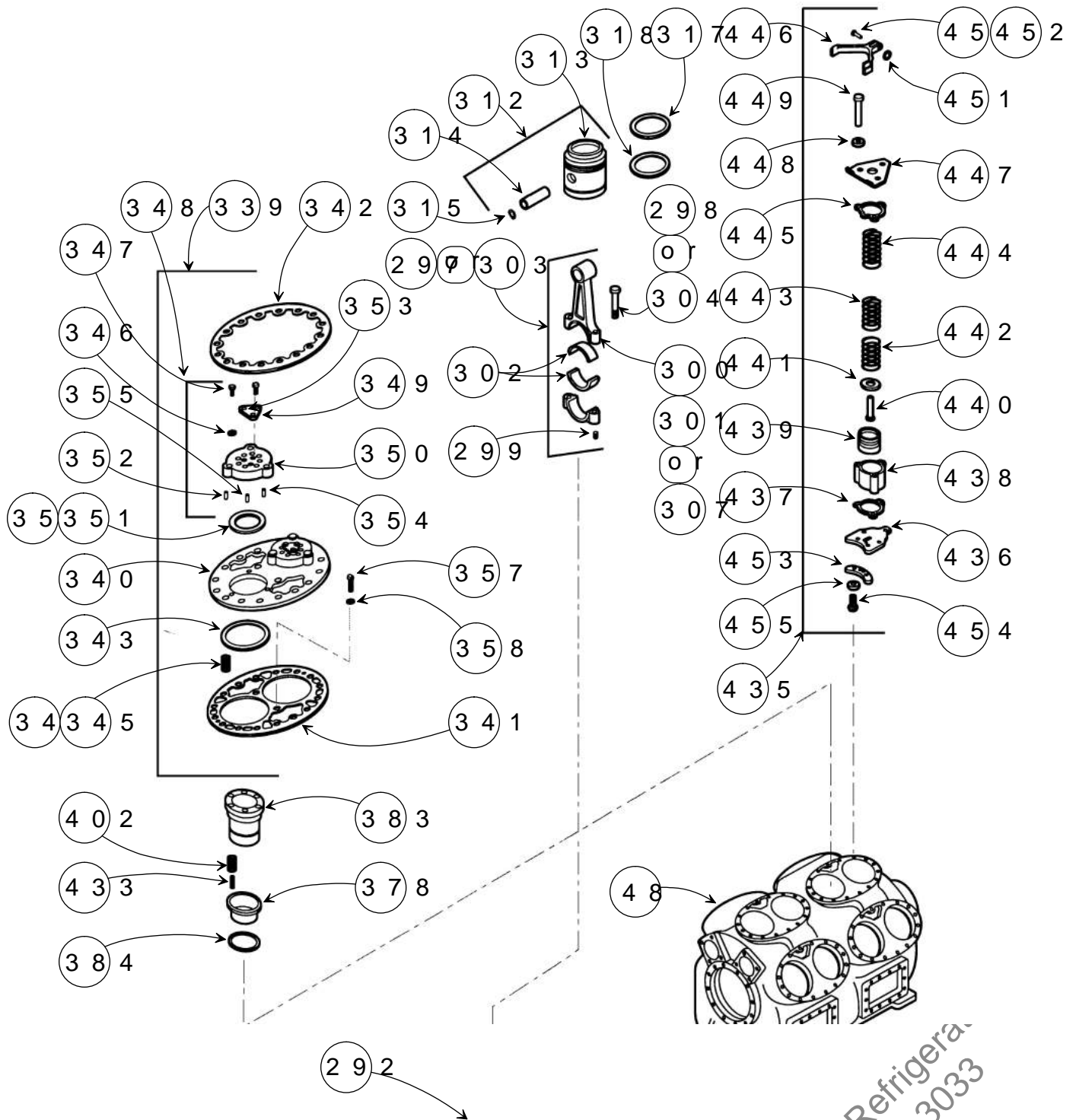
5H120,126 SHOWN



For 5H120 & 5H126 Bearing Head A
 Information Refer To Views On Graph
 05002002

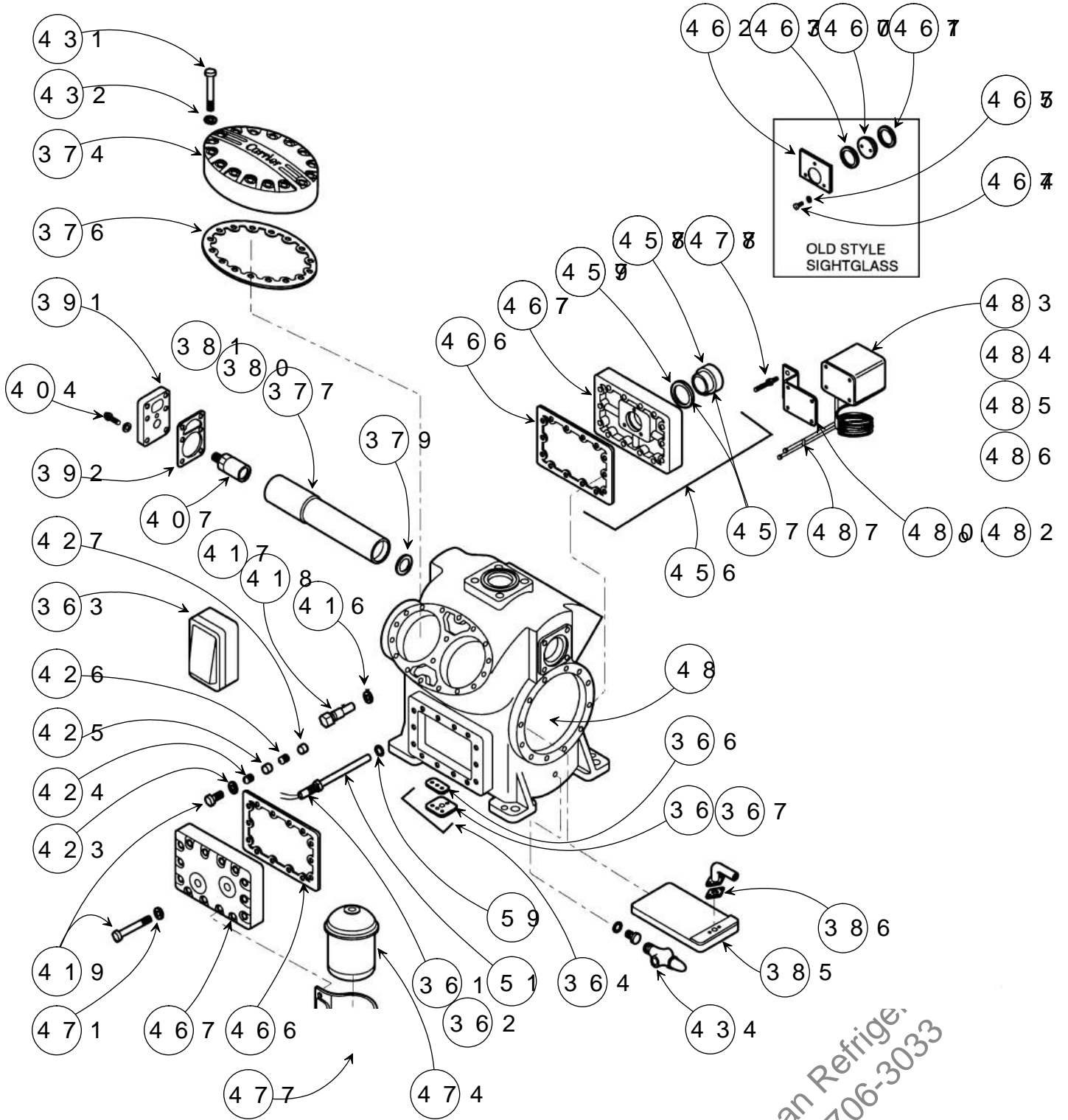
5H120 & 5H126 Shown

Bowman Refrigeration
 206-706-3033



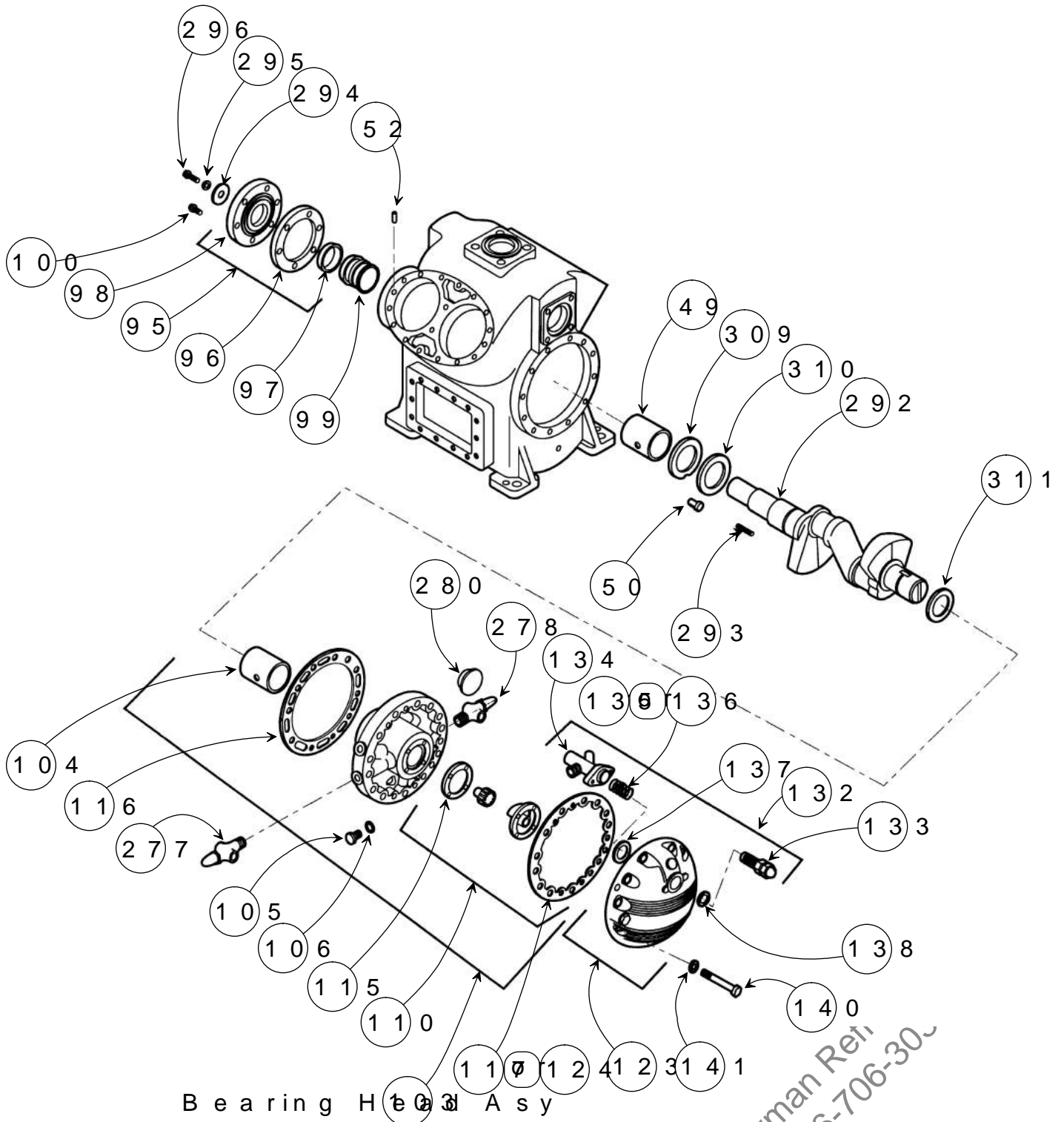
5H120, 126 SHOWN

*Bowman Refrigeration
206-706-3033*



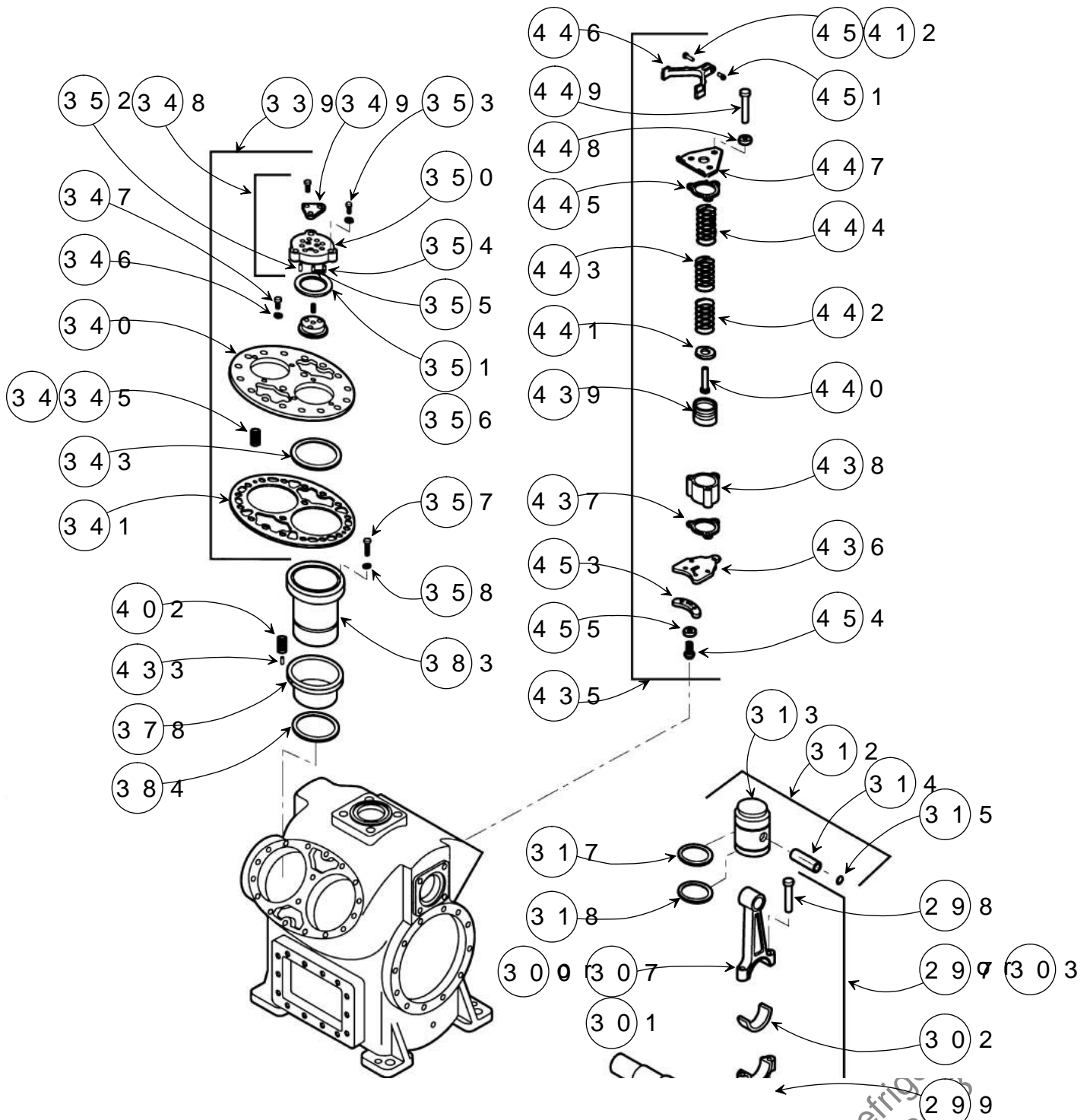
5H40, 46 SHOWN

Bowman Refrige.
206-706-3033



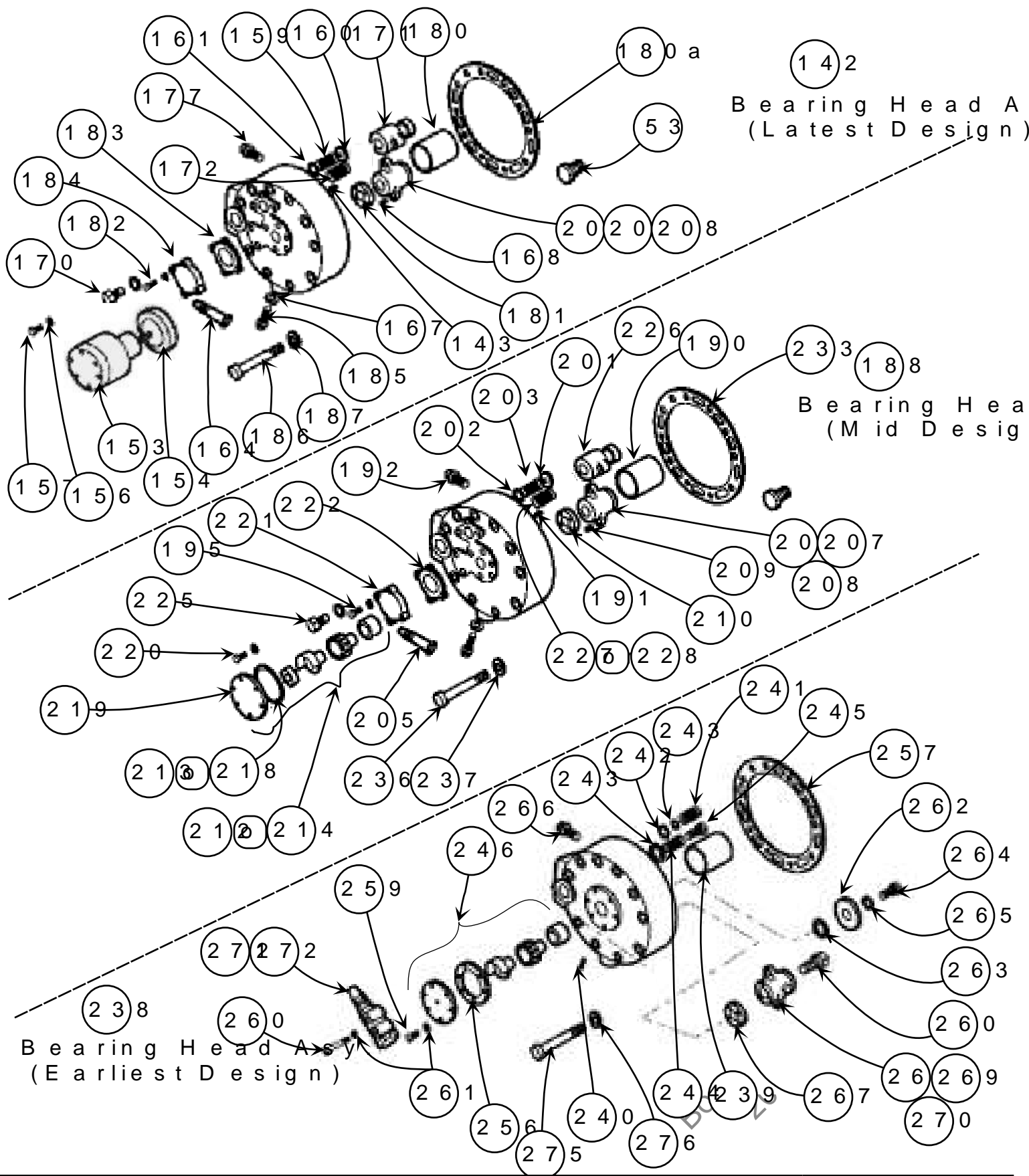
5H40, 46 SHOWN

Bowman Ref. 206-706-30~



5H40, 46 SHOWN

Bowman Refrigeration
206-706-3000



Model/Sales Package: 5H120.....

Model 5H120.....

Description OPEN DRIVE COMPRESSORS BELT & DIRECT DRIVE, 12 CYL

Itm#	Qty	Rec	Part Number	Description
1N	1	-	5H120S219	NEW SERVICE WITH UNLOADERS (8)
1P	1	-	5H120A219	REMAN SERVICE WITH UNLOADERS (8)
2	1	-	5H120A382	SERVICE PARTS PACKAGE(COMPR INSTALL): NOTE: THIS PACKAGE IS INCLUDED WITH EACH SERVICE COMPRESSOR AND CONTAINS SUCTION FILTER PARTS AND SERVICE VALVE GASKETS.
12	1	R	06LA660011	DISCHARGE SERVICE VALVE PKG(MUELLER): Includes: Items 13 - 20 (Important! see note for item #38). For Henry valve option see item #3.
13	1	R	NSS	> SERVICE VALVE (MUELLER)
14	1	R	EP29YC780LA	> GASKET,SERVICE VALVE
15	4	-	NSS	> CAPSCREW,HEXHEAD
30	1	R	06LA660011	SUCTION SERVICE VALVE PKG (MUELLER): Includes: Items 31 - 38 (Important! see note for item #38). For Henry valve option see item #21.
30A	1	R	EP29YC780LA	> GASKET,SERVICE VALVE
31	1	R	NSS	> SERVICE VALVE (MUELLER)
33	4	-	NSS	> > CAPSCREW,HEXHEAD
45	2	-	5H607192	MANIFOLD BLANK-OFF COVER (DISCH)
46	2	-	5H1204452	MANIFOLD BLANK-OFF COVER (SUCTION)
47	1	-	5H1204432	RELIEF VALVE BLANK-OFF
48	1	-	NSS	CRANKCASE ASSEMBLY (NSS): Includes: Items 49 - 94
49	1	-	5H401012	> MAIN BEARING
50	1	-	AX14CA222	> GROOVE PIN (BRG WASHER): NOTE: CHECK DEPTH OF HEATER CASING TO SELECT PROPER REPLACEMENT.
51A	2	-	5F403742	> C'CASE HEATER CASING 3 1/2 DEEP
51B	2	-	5H403992	> C'CASE HEATER CASING 4 3/8 DEEP
51C	2	-	5F203742	> C'CASE HTR CASING 7 3/8/8 5/16 DP
52	12	-	AX11AR197	> DOWEL PIN
53	1	-	CA99AA101	> MAGNETIC PLUG 5/8-11 (END)
54	1	-	5H1202181	> SEAL PLUG 7/8-14 (SIDE)
55	1	-	AU51YA013	> GASKET (SEAL PLUG)
56	1	-	AF20AA313	> HOLLOW SET SCREW
57	1	-	BE72AR320	> SET SCREW
58	2	-	5H401141	> OIL BY-PASS PLUG
59	4	-	AU51YA011	> GASKET,HEATER & MAGNETIC PLUG
60	8	-	5H1204502	> TUBE FERRULE 1/4
62	4	-	5H1204512	> TUBE FERRULE 5/16
63	1	-	5H1204522	> TUBE FERRULE 5/8
64	1	-	5H811551	> TUBE FERRULE 3/8
76	1	-	5H120524	> OIL FEED TUBE TO CYL 3L & 4L
77	1	-	5H120813	> OIL FEED TUBE TO CYL 3C & 4C
78	1	-	5H126113	> OIL FEED TUBE TO CYL 3R & 4R
79	1	-	5H1202173	> OIL FEED TUBE TO CYL 3L & 4L
80	1	-	5H1202133	> OIL FEED TUBE TO CYL 3C & 4C
81	1	-	5H1202113	> OIL FEED TUBE TO CYL 3R & 4R
82	1	-	5H126134	> OIL FEED TUBE TO CYL 1L & 1R
83	1	-	5H126113	> OIL FEED TUBE TO CYL 3R & 4R
85	1	-	5H1204602	> PUMP END TO CTR TEE LINE
86	1	-	5H1204612	> CENTER TEE TO SEAL END
87	1	-	5H120972	> CENTER TEE TO CENTER BRG
88	1	-	5H120833	> EQUALIZER LINE(SEAL END/SEAL END)
89	3	-	DC06SA076	> ERMETO UNION 5/16
90	1	-	DC18SA301	> ERMOTO UNION TEE 5/8
91	1	-	DC04SA302	> ERMOTO REDUCER 5/8 X 1/2
92	2	-	DD10CA103	> ELBOW 3/8 FL X 1/4 MPT
93	1	-	CA16JA051	> STREET ELBOW (BRASS)
94	1	-	DD10CA205	> HALF UNION ELBOW (1/4 NPT X 1/2 FL)

Bowman Refrigeration
 206-706-3033

Itm#	Qty	Rec	Part Number	Description
95A	1	R	5H120732	ROTARY SEAL PKG. (STANDARD)(SEE NOTE): NOTE: Item 95A IS A STANDARD OFFERING SEAL PACKAGE. Includes: Items 96, 97, 98A, 99
95B	1	R	5H120732A	ROTARY SEAL PKG. (OPTIONAL)(SEE NOTE): NOTE: Item 95B IS A OPTIONAL SEAL PACKAGE THAT CONTAINS A SPECIAL COVER PLATE THAT RUNS COOLER WITH HFC REFRIGERANTS. Includes: Items 96, 97, 98B, 99
96	1	-	5H403692	> GASKET,COVER PLATE
97	1	-	5H40B303	> CARBON WASHER (SEE NOTE)
98A	1	-	5H402433	> COVER PLATE (STANDARD)
98B	1	-	5H403413	> COVER PLATE (OPTIONAL)
99	1	R	NSS	> BELLOWS: NOTE: THE CARBON WASHERS LISTED SHOULD ONLY BE REPLACED IF DAMAGED IN SHIPMENT OR INSTALLATION.DO NOT REPLACE ON SEALS THAT HAVE BEEN IN OPERATION. THIS ROTARY SLEEVE TYPE SEAL REPLACES THE EARLIER ROTARY BELLOWS OR STATIONARY TYPES.
100	6	-	AA06GR262	CAPSCREW,SEAL COVER PLATE
101	1	-	05HG660014	SHAFT SEAL CVR PLT(FOR BELLOWS SEAL)
142	1	R	6L120223	BEARING HEAD OIL PUMP ASY (SEE NOTE): Note: Used on compressors with a serial number after 1086J01967. Includes: Items 143 - 187
143	1	-	AX35HR120	> GROOVE PIN,HEADED
144	1	-	AA06BR243	> SCREW,3/8-16 X 4 HEX. HEAD. CAP.
145	1	-	AU51YA005	> GASKET,3/8 CAP SCREW
146	2	-	AA44AA206	> SCREW,5/16-18 X 2-1/4 SOC. HEAD
147	5	-	CA64AA001	> PIPE PLUG,SOCKET HEAD
148	1	-	AU51YA011	> GASKET,5/8 CAP SCREW
149	1	-	LF37AZ001	> INSIDE THREAD PROTECTOR,1/8
150	2	-	AB44AA206	> SCREW,5/16-24 X 2-1/4 SOC. HEAD
151	1	-	CA63AA001	> PIPE PLUG,1/8 HEX. HEAD
152	4	-	AU51YA003	> GASKET,5/16 CAP SCREW
153	1	R	06LA660008	> OIL PUMP ASSEMBLY PACKAGE: Includes: Items 154 - 158
153A	1	-	6L120397	> > OIL PUMP ASY (NSS REFERENCE ONLY)
154	2	-	6L1202672	> > GASKET,OIL PUMP (SEE NOTE): Note: 1 gasket item #154 used on each side of adapter plate.
155	1	-	6L1202632	> > SPACER (ADAPTER)
156	6	-	AU11AS171	> > WASHER,LOCK
157	6	-	AA44AA176	> > SCREW,1/4-20 X 2-1/2"
158	6	-	AA44AA197	> > SCREW,5/16-18 X 5/8"
159	1	-	5H1201593	> BY-PASS SPRING,OIL FILTER
160	1	-	AU47AR087	> RETAINER RING,BY-PASS
161	1	-	5H1203411	> VALVE DISC,BY-PASS & EQUALIZER
161A	1	-	5H1201593	EQUALIZER VALVE SPRING
161B	1	-	5H1203401	EQUALIZER VALVE SEAT
162	1	-	CA63AA151	> PIPE PLUG,1/2 HEX. HEAD
163	2	-	AU51YA004	> GASKET,5/16 CAP SCREW
164	1	-	EP23QA090	> ANGLE VALVE,1/4 X 1/4
165	1	-	CA63AA051	> PIPE PLUG,1/4 HEX. HEAD
166	4	-	AA06BR202	> SCREW,5/16-18 X 1-1/4 SOC. HEAD
167	1	-	AU51YA013	> GASKET,7/8 CAP SCREW
168	2	-	AX11AR062	> DOWEL PIN,1/8 DIA X 1/2
169	1	R	5F40721	> VALVE ASY,CAPACITY CONTROL: Includes: Items 170 - 176
170	1	-	5F88213	> > EXTERNAL VALVE ASY
171	1	R	05HG660014	> > BELLOWS ASSEMBLY
172A	1	R	5F88206	> > SPRING,7#,(R12/134A/500)(7 COIL)
172B	1	R	EB39CZ001	> > SPRING,11#,(R22)(4 TIGHT,3 OPEN)
174	1	-	5H402001	> > INNER VALVE GASKET
175	1	-	5H401411	> > OUTER VALVE GASKET
176	2	-	AA44AA206	> > CAP,VALVE
177	1	-	6G401451	> PLUG,5/8-18 X 1/8-27
178	1	-	6L451041	> COVER,SURGE CHAMBER
179	1	-	5H1203341	> GASKET,SURGE COVER

Bowman Refrigeration
206-706-3033

Itm#	Qty	Rec	Part Number	Description
180	1	-	6L802172	> MAIN BEARING
180A	1	R	5H1201653	GASKET,BEARING HEAD
181	1	-	5H1203351	> GASKET,AUX. CONTROL
182	1	-	5H1203301	> STRAINER,CONTROL OIL
183	1	-	6L451132	> GASKET,OIL FLOW CAP
184	1	-	6L451122	> CAP,OIL FLOW
185	1	-	5H1203821	> SEAL PLUG,7/8-14
186	12	-	AA06BR304	> CAPSCREW,HEXHEAD (BEARING HEAD)
187	12	-	AU51YA009	> GASKET,CAPSCREW
188	1	R	5H120837	BEARING HEAD OIL PUMP ASY (SEE NOTE): Note: Used on compressors with a S/N between 0447119 & 1086J01967. Includes: Items 189 - 237
189	1	-	5H407252	> SLEEVE
190	1	-	6L802172	> MAIN BEARING
191	1	-	AX35HR120	> GROOVE PIN
192	1	-	6G401451	> ADAPTER PLUG
193	1	-	AU51YA011	> PLUG GASKET
194	5	-	CA64AA001	> PIPE PLUG,SOCKET HEAD
195	1	-	5H1203301	> CONTROL OIL STRAINER
196	1	-	6L45230	> COVER,SURGE CHAMBER
197	1	-	5H1203341	> GASKET,CHAMBER COVER
199	1	-	AU51YA005	> GASKET,CAPSCREW
200	1	-	5H1201683	> OIL FILTER BY-PASS SPRING
201	1	-	AU47AA087	> BY-PASS RETAINER RING
202	2	-	5H1203411	> VALVE DISC:BY-PASS & EQUALIZER
203	1	-	5H1201593	> EQUALIZER VALVE SPRING
204	1	-	5H1203401	> EQUALIZER VALVE SEAT
205	1	-	EP23QA090	> ANGLE VALVE
206	1	-	6L45123	> HYDRAULIC RELAY (AUX CNTRL VLV): Includes: Items 207 - 208
207	1	-	5H1203361	> > GASKET,COVER
208	2	-	KT37ZZ013	> > BALL 3/16" OD
209	2	-	AX11AR062	> DOWEL PIN
210	1	-	5H1203351	> GASKET,HYDRAULIC RELAY
211	2	-	AA44AA206	> CAPSCREW,SOCKET HEAD
212	1	R	5H120A773	> OIL PUMP ASSEMBLY PACKAGE: Note: spring, port insert asy, inner/outer gear, drive disc, bushing are not sold seperatly. Includes: Item 213
213	1	-	5H1203891	> > GASKET,OIL PUMP COVER
218	1	-	KK71GY033	> PUMP COVER "O" RING
219	1	-	5H1202923	> OIL PUMP COVER
220	6	-	AA06GR200	> CAPSCREW,HEXHEAD
221	1	-	NSS	> OIL FLOW CAP
222	1	-	6L451132	> GASKET,OIL FLOW CAP
223	10	-	AU51YA003	> GASKET,CAPSCREW
224	1	R	5F40721	CAPACITY CONTROL VALVE ASY: Includes: Items 225 - 237
225	1	-	5F88213	> EXTERNAL VALVE ASSEMBLY
226	1	R	05HG660014	> BELLOWS
227	1	R	5F88206	> SPRING,7#,(R12/134A/500)(7 COILS)
228	1	R	EB39CZ001	> SPRING,11#,(R22)(4 TIGHT,3 OPEN)
229	1	-	5H402001	> INNER VALVE GASKET
230	1	-	5H401411	> OUTER VALVE GASKET
231	2	-	AA44AA206	> CAPSCREW,SOCKET HEAD
232	2	-	AU51YA004	> GASKET,CAPSCREW
233	1	R	5H1201653	> GASKET,BEARING HEAD
234	1	-	5H1203821	> MAGNETIC SEAL PLUG
235	1	-	AU51YA003	> GASKET,CAPSCREW
236	12	-	AA44AA299	> CAPSCREW,HEXHEAD (BEARING HEAD)
237	12	-	AU51YA009	> GASKET,CAPSCREW

Bowman Refrigeration
206-706-3033

Itm#	Qty	Rec	Part Number	Description
238	1	-	NLA	BEARING HEAD OIL PUMP ASY (SEE NOTE): Note: Used on compressors with a serial number prior to 0447119. Includes: Items 239 - 281
239	1	-	5H401022	> MAIN BEARING
240	4	-	CA64AA001	> PIPE PLUG, SOCKET HEAD
241	1	-	5H1201683	> OIL FILTER BY-PASS SPRING
242	1	-	AU47AA087	> BY-PASS RETAINING RING
243	2	-	5H1203411	> VALVE DISC, BY-PASS & EQUALIZER
243A	1	-	5H1201593	EQUALIZER VALVE SPRING
243B	1	-	5H1203401	EQUALIZER VALVE SEAT
244	1	-	5H1201593	> EQUALIZER VALVE SPRING
245	1	-	5H1203401	> EQUALIZER VALVE SEAT
246	1	R	06LA660008	OIL PUMP PACKAGE (1 3/4" DIA): Includes: Items 247 - 255
247	1	-	NSS	> COVER
248	1	-	NSS	> IDLER
249	1	-	NSS	> ROTOR
250	1	-	NSS	> BUSHING
251	2	-	6L1202672	> GASKET, OIL PUMP (SEE NOTE): Note: 1 gasket item #251 used on each side of adapter plate item #252
252	1	-	NSS	> ADAPTER PLATE
253	6	-	AA44AA176	> SOCKET HD CAP SCREW 1/4-20
254	6	-	NSS	> LOCKWASHER 1/4
255	6	-	NSS	> SOCKET HD CAP SCREW 5/16-18
256	1	-	5H1203431	> GASKET, PUMP COVER
257	1	R	5H1201653	> GASKET, BEARING HEAD
258	1	-	5H1203301	> CONTROL, OIL STRAINER
259	6	-	AA44BR200	> CAPSCREW, HEXHEAD
260	6	-	AA44AA206	> SOCKET HEAD CAPSCREW
261	10	-	AU51YA004	> GASKET, CAPSCREW
262	1	-	6L45230	> SURGE COVER
263	1	-	5H1203341	> GASKET, SURGE COVER
264	1	-	NSS	> CAPSCREW, HEX HEAD
265	1	-	AU51YA005	> GASKET, CAPSCREW
266	1	-	5H401141	> OIL BY-PASS PLUG
267	1	-	5H1203351	> GASKET, HYDRAULIC RELAY
268	1	-	6L45123	> HYDRAULIC RELAY (AUX CNTRL VALVE): Includes: Items 269 - 270
269	1	-	5H1203361	> > GASKET, COVER
270	2	-	KT37ZZ013	> > BALL, 3/16" DIA.
271	1	R	NSS	> CAPACITY CONTROL VALVE PKG: Includes: Items 272 - 274
272	1	-	5H1204642	> > GASKET, CONTROL VALVE
273	1	R	5F88206	> > SPRING, 7#, (R12/500) (7 EVEN COIL)
274	1	R	EB39CZ001	> > SPRING, 11#, (R22) (4 TIGHT, 3 OPEN)
275	12	-	AA06BR304	> CAPSCREW, HEXHEAD (BEARING HEAD)
276	12	-	AU51YA009	> GASKET, CAPSCREW
282	1	R	5H120351	OIL FILTER CARTRIDGE PACKAGE: Includes: Items 283 - 284
283	1	R	5H1204492	> GASKET, OIL FILTER COVER
284	1	R	5H120351	> OIL FILTER CARTRIDGE
285	1	-	5H1201643	OIL FILTER SPRING
286	1	-	5H1201334	OIL FILTER HOUSING
287	1	-	5H1204482	GASKET, OIL FILTER HOUSING
288	4	-	AA44AA292	CAPSCREW, SOCKET HEAD
289	4	-	AU51YA009	GASKET, CAPSCREW
290	1	-	5H801892	OIL FILTER COVER

Bowman Refrigeration
206-706-3033

Itm#	Qty	Rec	Part Number	Description
291	1	-	5H1203441	OIL FILTER SPRING RETAINER: NOTE: SERVICE OIL PUMPS FOR 5H120/126 HAVE BEEN CHANGED SEVERAL TIMES SINCE INTRODUCTION.THE PUMP PSN 0447119 (1960) IS 5H120-A373.5H120-150 PUMP ASSY,5H120-3431 PUMP CVR GSKT & 5H120-1653 P.E. BRG HD GSKT ARE IN THIS PKG. FROM 1960-69 SSN 0447119 THRU A901764 06LA660008 WAS USED THIS PUMP IS MADE UP OF A SPENEX-GEAR ROTOR PUMP & A 6L120-2632 ADAPT. & (2) 6L120-2672 GASKETS & PUMP MTG HDWR. SSN A901765 (1969) TILL 1086 J01966 THE 5H120-A773 PUMP WAS USED.THIS PUMP IS 2 3/16" DIA. SSN J108601967 THE 06LA660008 WAS USED AGAIN.(THIS PUMP IS 1 3/4" DIA) THIS PUMP IS STILL IN USE.THIS PUMP IS NON SERVICABLE.A GASKET HAS EEN SET UP FOR YOU WHO DISASSEMBLE PUMP WHEN YOU SHOULD NOT IT IS 06LA680001.A GOOD PICTORIAL REFERENCE TO THESE PUMPS IS SHOWN IN A PMB87-32.
292	1	-	5H120562	CRANKSHAFT ASSEMBLY: NOTE: IF THERE IS A CRANKSHAFT IN YOUR COMPRESSOR WITH THE LETTER "A", "B". OR "C" STAMPED ON BOTH ENDS,IT IS UNDERSIZED .010,.020 OR .030. IF THIS SHAFT NEEDS REPLACING ORDER STANDARD SHAFT (ITEM #292) AND REPLACE ALL SHAFT BEARINGS WITH STANDARD SIZE. CARRIER DOES NOT SELL REPLACEMENT UNDERSIZED SHAFTS.UNDERSIZE BEARINGS ARE AVAILABLE. (SEE ITEMS #321 - 338).
293	1	-	AW01DA265	FLYWHEEL DRIVE KEY
294	1	-	5H401401	FLYWHEEL WASHER
295	1	-	AU29AR331	FLYWHEEL LOCKWASHER
296	1	-	AB06BR323	CAPSCREW,FLYWHEEL
297	12	-	5H40103	CONN ROD ASY (STEEL ROD)(SEE NOTE): Includes: Items 298 - 301
298	2	-	5H401041	> CONN ROD BOLT
299	2	-	AT61AA272	> CONN ROD NUT
300	1	-	NSS	> CONN ROD
301	1	-	NSS	> PISTON PIN BUSHING
302	24	-	5H401002	CONNECTING ROD BEARING HALF: NOTE: ALUMINUM RODS (ITEM #303) WERE USED PSN F701597 (1977) IN LONG STROKE COMRESSORS ONLY (46,66,86,126 SIZES). IF YOU WANT TO REPLACE WITH STEEL RODS YOU MUST CHANGE ALL. DO NOT MIX ALUM/STEEL IN COMPRESSOR. USE ALL OF SAME KIND. ALUM RODS DO NOT REQUIRE ROD BEARINGS AS STEEL RODS DO. ADD BEARINGS 5H40-1002 (2 PER ROD) IF YOU CHANGE TO STEEL RODS.
310	1	-	5H1201072	THRUST WASHER (SEAL END)(STEEL)
311	1	-	5H401082	BEARING WASHER (PUMP END)(BRONZE)
312	12	-	5H40482	PISTON & PIN ASSEMBLY: Includes: Items 313 - 315
313	1	-	NSS	> PISTON
314	1	-	5H401051	> PISTON PIN
315	2	-	5H403531	> PISTON PIN LOCK RING
316	3	-	5H40481	PISTON RING PACKAGE: Includes: Items 317 - 318
317	8	-	NSS	> COMPRESSION RING
318	8	-	NSS	> OIL RING (NOTCHED)
319	1	-	5H1201354	OIL RECOVERY IMPELLER
320	1	-	5H1202191	HEADED DOWEL PIN: NOTE: SEE NOTES FOR ITEM #292 TO DETERMINE IF UNDERSIZED BEARINGS ARE REQUIRED IN YOUR COMPRESSOR. LOOK FOR LETTER ON SHAFT END FOR UNDERSIZE REQUIREMENTS AND SIZE.
321	24	-	5H403612	CONN ROD BEARING HALF (-.010)
322	1	-	5H403632	SEAL END MAIN BEARING (-.010)
323	1	-	5H403652	PUMP END MAIN BEARING (-.010)
325	1	-	5H1203672	CENTER BEARING,UPPER (-.010)
326	1	-	5H803672	CENTER BEARING,LOWER (-.010)
327	24	-	5H403622	CONN ROD BEARING HALF (-.020)
328	1	-	5H403642	SEAL END MAIN BEARING (-.020)
329	1	-	5H403662	PUMP END MAIN BEARING (-.020)
331	1	-	5H1203682	CENTER BEARING,UPPER (-.020)
332	1	-	5H803682	CENTER BEARING,LOWER (-.020)
333	24	-	5H401002S3	CONN ROD BEARING HALF (-.030)
334	1	-	5H401012S3	SEAL END MAIN BEARING (-.030)
335	1	-	5H401022S3	PUMP END MAIN BEARING (-.030)
337	1	-	5H1201242S3	CENTER BEARING,UPPER (-.030)
338	1	-	5H801242S3	CENTER BEARING,LOWER (-.030)
339	6	R	5H40120A	VALVE PLATE PACKAGE: Includes: Items 340 - 356
340	1	R	NSS	> VALVE PLATE

Bowman Refrigeration
206-706-3033

Itm#	Qty	Rec	Part Number	Description
341	1	R	5H401083	> GASKET,VALVE PLATE
342	1	R	5H401093	> GASKET,CYLINDER HEAD
343	2	-	5H401142	> SUCTION VALVE
344	12	-	5H401791	> SUCTION VALVE SPRING
345	4	-	5F202061	> VALVE CLIP (FOR ASY ONLY)
346	6	-	5H403363	> LOCKWASHER (TRIANGLE)
347	6	-	AB06GR202	> CAPSCREW,HEX HEAD
348	2	-	5H40A552	> DISCHARGE VALVE GUIDE ASY: Includes: Items 349 - 356
349	1	-	5H401201	> > LOCKPLATE
350	1	-	5H401553	> > GUIDE
351	1	-	5H401132	> > DISCHARGE VALVE
352	6	-	5H407322	> > DISCHARGE VALVE SPRING
353	3	-	AB06GR202	> > CAPSCREW HEX HEAD
354	2	-	AX11AR128	> > DOWEL PIN 3/16 DIA
355	1	-	AX11AR162	> > DOWEL PIN 1/4 DIA
356	1	-	5H401191	> > INNER SEAT
357	12	-	AA06GR262	CAPSCREW,HEX HEAD
358	12	-	AU51YA008	GASKET,CAPSCREW
359	1	R	5H120502	GASKET SET
360A	1	-	PH23QK016	PAINT,SPRAY CAN (SEA FOAM GREEN)
360B	1	-	PH23SK016	PAINT,SPRAY CAN (ICE GREY): NOTE: GASKET SET CONTAINS
361A	2	R	HT31AR200	C'CASE HEATER ELMNT 115V,200W,6 LG
361B	2	R	HT31AR230	C'CASE HTR ELMNT 230V,200W,6 LG
361C	2	R	HT31AZ120	C'CASE HTR ELMNT 115V,100W,3 1/8 LG
361D	2	R	HT31AR130	C'CASE HTR ELMNT 230V,100W,3 1/8 LG
361E	2	R	HT31AZ121	C'CASE HTR ELMNT 115V,200W,7 LG
361F	2	R	HT31AZ241	C'CASE HTR ELMNT 230V,200W,7 LG
362	2	-	HW25FA005	HEATER COUPLING
363A	1	-	HN61AJ101	C'CASE HTR RELAY 115V,60 HZ
363B	1	-	HN61AJ108	C'CASE HTR RELAY 208/230,50/60 HZ
368	1	-	5H1204432	COVER,GAS EQUALIZER CONN
369	1	-	7K44522	GASKET,GAS EQUALIZER CONN
370	1	-	5H801242	CENTER BEARING BOTTOM HALF
371	1	-	5H1201242	CENTER BEARING TOP HALF
372	1	-	5H120204	CENTER BEARING HOUSING: Includes: Item 373
373	2	-	AB08AR323	> BEARING ASY BOLT (SPECIAL)
374	4	-	5H601004	CYLINDER HEAD
375	2	-	5H1201004	CYLINDER HEAD,CENTER BANK
376	6	R	5H401093	GASKET,CYLINDER HEAD
377	2	R	5H120794	SUCTION STRAINER ASSEMBLY (BAIL)
378	8	-	5H401752	UNLOADER SLEEVE
379	2	R	5H1203481	GASKET,SUCTION STRAINER
380	1	R	5H120A382	SUCTION FILTER PACKAGE: Includes: Items 381 - 382
381	1	R	5H1204552	> FELT FILTER
382	1	-	5H1203481	> RETAINING BAND
383	12	-	5H401003	CYLINDER SLEEVE (WITH HOLES): NOTE: USE IN PLACE OF SLEEVE WITH OUT UNLOADER PIN HOLES.
384	8	-	5H402221	CYLINDER SLEEVE SNAP RING
387	1	-	5H120252	OIL SCREEN & SUCTION TUBE ASY
388	1	R	5H1203451	GASKET,OIL SUCTION TUBE
395	1	-	5H1201299	SUCTION MANIFOLD (FOR 4 BLT VALVE)
396	2	-	5H1204452	COVER,SUCTION MANIFOLD
397	4	R	5H1204462	GASKET,SUCT MANIFOLD & COVER
398	1	-	5H1201279	DISCHARGE MANIFOLD (FOR 4 BLT VALVE)
399	2	R	5H1204472	GASKET,DISCHARGE MANIFOLD
401	8	-	AH06GR340	MOUNTING BOLTS,SUCTION MANIFOLD

Bowman Refrigeration
206-706-3033

Itm#	Qty	Rec	Part Number	Description
402	48	-	5H402241	VALVE LIFTER SPRING
404	8	-	AU51YA011	GASKET,CAPSCREW 5/8 (NOT NOW USED)
408	1	R	5H120337	DISCHARGE PRESSURE RELIEF VALVE ASY: Includes: Items 409 - 413
409	1	R	EB51FN870	> RELIEF VALVE (W/MATING FLANGES)
410A	2	R	EP29YC360LA	> RING GASKET,1.500 I.D. X 1.875 O.D.
410B	2	R	EP29YC361	> RING GASKET,1.375 I.D. X 1.700 O.D.
411	2	-	DK24CA712	> FLANGE
412	1	-	5H1202183	> DISCHARGE LINE (LESS FLANGE) (J)
413	1	-	5H1203182	> DISCHARGE LINE (LESS FLANGE) (L)
414	2	R	7K44522	GASKET,RELIEF VALVE LINE (BOTH ENDS)
420	1	-	CA99AA101	PLUG,MAGNETIC 5/8-11
421	1	-	5F201311	ADAPTER (1/4" FPT TO 5/8-18)
424	1	-	BE72AR320	SET SCREW
428	1	R	5H120782	OIL PRESSURE REGULATOR VALVE
429	1	R	AU51YA011	GASKET,REGULATOR VALVE
430	1	-	5H1203381	REGULATOR VALVE CAP
431	96	-	AA06GS271	CYLINDER HEAD BOLT
432	182	-	AU51YA008	GASKET,CAPSCREW (NOT NOW USED)
433	48	-	5H402231	VALVE LIFTER PIN
435	8	-	5H40163	UNLOADER POWER ELEMENT ASSEMBLY: Includes: Items 436 - 452
436	1	-	5H401762	> UNLOADER CYLINDER BRKT
437	1	-	5H401711	> UNLOADER CYLINDER GASKET (BOTTOM)
438	1	-	5H401772	> UNLOADER CYLINDER
439	1	-	5H401782	> UNLOADER PISTON
440	1	-	5H401731	> UNLOADER PISTON ROD
441	1	-	5H401811	> UNLOADER SPRING RETAINER WASHER
442	1	-	5H401822	> UNLOADER SPRING (INNER)
443	1	-	5H402812	> UNLOADER SPRING (MIDDLE)
444	1	-	5H401802	> UNLOADER SPRING (OUTTER)
445	1	-	5H401701	> UNLOADER CYLINDER GASKET (TOP)
446	1	-	5H401814	> UNLOADER FORK
447	1	-	5H40242	> CYLINDER COVER PLATE ASY
448	3	-	AU27AF201	> LOCKWASHER,EVERLOCK 5/16
449	3	-	AB06BR574	> CAPSCREW,HEX HEAD 5/16-24
450	1	-	AX01AA003	> COTTER PIN
451	1	-	5F201301	> PLATE WASHER
452	1	-	5F202751	> CLEVIS PIN
453	8	-	5H401451	GASKET,UNLOADER BRACKET
454	16	-	AB44AA202	CAPSCREW,SOCKET HEAD 5/16-24
455	16	-	AU61ML201	LOCKWASHER,SPRING 5/16
456	2	R	5H120B323	HAND HOLE COVER & SIGHT GLASS ASY
457	1	R	5F20152	SIGHT GLASS PACKAGE: Includes: Items 458 - 459
458	1	R	NSS	> SIGHT GLASS
459	1	R	5F201631	> GASKET,SIGHT GLASS
460	1	R	5H401001	SIGHT GLASS
461	1	-	5H401011	GASKET,INNER
462	1	-	5H401021	CLAMPING GLAND
463	1	-	5H401621	GASKET,OUTTER
464	1	-	AA06GR199	CAPSCREW,HEX HEAD
465	1	-	AA27AR201	WASHER,EVERLOCK
466	4	R	5H401042	GASKET,HAND HOLE COVER
467	1	-	5H401304	HAND HOLE COVER PLAIN
468	1	-	5H40703	INTERCONNECTION COVER PACKAGE: Includes: Items 469 - 470
469	1	-	NSS	> HAND HOLE COVER (W/1" FPT CONN'S)
470	1	R	5H401042	> GASKET,HAND HOLE COVER
471	54	-	AA06BR266	CAPSCREW,HEX HEAD

Bowman Refrigeration
206-706-3033

Itm#	Qty	Rec	Part Number	Description
472	56	-	AU51YA008	GASKET,CAPSCREW 7/16
478	2	-	5H401781	CONTROL BRACKET STUD
479	2	-	DD10CA052	ELBOW 1/4 X 1/4
480	1	-	5F401372	PRESS CONTROL BRACKET (A-B)
482	2	-	5H407232	PRESS CONTROL BRACKET
483	1	R	HK02HA012	PRESSURESTAT (HI SIDE) (A-B)
484	1	R	HK02HB012	PRESSURESTAT (LO SIDE) (A-B)
485	1	R	HK680018	PRESSURESTAT (HI SIDE)
486	1	R	HK02UB050	PRESSURESTAT (LO SIDE)
487	2	-	5F201501	PRESSURSTAT TUBE CLIP
511	1	R	5H120B283	OIL COOLER ACCESSORY PACKAGE: Includes: Items 512 - 528
512	1	R	KH51ZZ180	> OIL COOLER
513	2	-	5H40B253	> COOLER MOUNTING BRACKET
515	4	-	5H401781	> COOLER MOUNTING STUDS
516	4	-	AU11AR241	> SPRING LOCK WASHER 3/8
517	4	-	AT39AA241	> HEX NUT 3/8-16
518	1	-	5H812171	> HEADLESS SOCKET SCREW
519	2	-	DD10CA201	> HALF UNION ELBOW 1/2 NPT X 1/2 FL
520	2	-	DD10CA403	> HALF UNION ELBOW 3/4 NPT X 1/2 FL
526	2	-	CA53RA252	> REDUCER 1 NPT X 3/4 NPT
527	1	-	5H1204482	> GASKET,OIL FILTER HOUSING
528	1	R	5H1204492	> GASKET,OIL FILTER CHAM COVER
529	1	-	5H120507	WATER COOLED CYL.HEAD ACCESSORY PKG: Includes: Items 530 - 551
530	4	-	5H411019	> CYLINDER HEAD
531	2	-	5H1211019	> CYLINDER HEAD,CENTER
532	6	R	5H401093	> GASKET,CYLINDER HEAD
533	4	-	5H611039	> CYLINDER HEAD COVER
534	1	-	5H1211434	> CYL HEAD CVR CNTR LEFT (SEAL END)
535	1	-	5H1211424	> CYL HEAD CVR CNTR RIGHT (SEAL END)
536	1	-	5H1211044	> CYL HEAD CVR CNTR LEFT (PUMP END)
537	1	-	5H1211054	> CYL HEAD CVR CNTR RIGHT (PUMP END)
538	4	R	5H411703	> GASKET,CYL HEAD COVER
539	4	R	5H1211703	> GASKET,CENTER CYL HEAD COVER
540	72	-	AA06BR232	> CAPSCREW,HEXHEAD 1 1/4 LG
541	64	-	AA06BR274	> CAPSCREW,HEXHEAD 4 1/4 LG
542	32	-	AA06BR977	> CAPSCREW,HEXHEAD 5 1/8 LG
543	32	-	AA06BR233	> CAPSCREW,HEXHEAD 1 1/2 LG
544	12	-	DD10CA302	> HALF UNION ELL 5/8 FL X 1/2 MPT
546	2	-	DD10CA203	> HALF UNION ELBOW 1/2 FL X 3/8 MPT
547	2	R	5H1204472	> GASKET,DISCHARGE MANIFOLD
548	1	R	5H801632	> GASKET,DISCHARGE VALVE
549	3	R	7K44522	> GASKET,RELIEF VALVE
550	1	-	5H1205952	> FLANGE SPACER
551	2	-	AA06GR295	> CAPSCREW,HEXHEAD 2 LG
552	1	-	05HY500863	MUFFLER PACKAGE
553	1	R	5F20212	LUBE OIL CONTROL PACKAGE: Includes: Items 554 - 557
554	1	R	P529-4120	> PRESS SWITCH (W/45 SEC DELAY)
555	1	-	DD07UA051	> HALF UNION
556	1	-	5F201311	> ADAPTER
557	1	-	AU51YA011	> GASKET WASHER
558	1	-	HN61AJ101	CRANKCASE HEATER RELAY (120V COIL)
559	1	-	HN61AJ108	CRANKCASE HEATER RELAY (240V COIL)
561	1	-	5H60613	COUPLING (D.D.) 1.875 DIA MTR SHAFT
562	1	-	5H80663	COUPLING (D.D.) 1.875 DIA MTR SHAFT
564	1	-	5H120623	COUPLING (D.D.) 2.125 DIA MTR SHAFT
565	1	-	5H80613	COUPLING (D.D.) 2.375 DIA MTR SHAFT
566	1	-	5H126623	COUPLING (D.D.) 2.375 DIA MTR SHAFT

Bowman Refrigeration
206-706-3033



Itm#	Qty	Rec	Part Number	Description
568	1	-	5H60394	FLYWHEEL (11 PITCH DIA) (5 GROOVE)
570	1	-	5H120394	FLYWHEEL (11 PITCH DIA) (9 GROOVE)
571	1	-	SEEPRICEPAGES	BELT DRIVE PACKAGES
572	1	-	SEEDATA/ACCGUIDE	COMPRESSOR MOTOR
573	1	-	SEEPRICEPAGES	MOTOR MOUNTING PACKAGE
574	1	-	SEEPRICEPAGES	VIBRATION ISOLATOR PKG

Bowman Refrigeration
206-706-3033