



PARTS LIST

5.0 BCD/5.0 BCDA

4.0 BCDB/5.0 BCD

5.0 BCDB/5.5 BCD

4.0 BCD/4.0 BCDA

60Hz

50Hz

Marine Diesel Generators

Publication #038677

Revision 3

November 2018



WESTERBEKE CORPORATION • MYLES STANDISH INDUSTRIAL PARK
150 JOHN HANCOCK ROAD • TAUNTON MA 02780-7319 • TEL. 1-508-823-7677
FAX 1-508-884-9688 • WEBSITE: WWW.WESTERBEKE.COM

IMPORTANT

Product Software Disclaimer

Product software of all kinds such as brochures, drawings, technical data, operator's and workshop manuals, parts lists and parts price lists, and other information, instructions and specifications provided from sources other than Westerbeke, is not within Westerbeke's control and, accordingly, is provided to Westerbeke customers only as a courtesy and service. Westerbeke cannot be responsible for the content of such software, makes no warranties or representations with respect thereto, including the accuracy, timeliness or completeness thereof, and will in no event be liable for any type of damages or injury incurred in connection with, or arising out of, the furnishing or use of such software.

For example, components and subassemblies incorporated in Westerbeke's products and supplied by others (such as engine blocks, fuel systems and components, transmissions, electrical components, pumps and other products) are generally supported by their manufacturers with their own software, and Westerbeke must depend on such software for the design of Westerbeke's own product software. Such software may be outdated and no longer accurate. Routine changes made by Westerbeke's suppliers, of which Westerbeke rarely has notice in advance, are frequently not reflected in the supplier's software until after such changes take place.

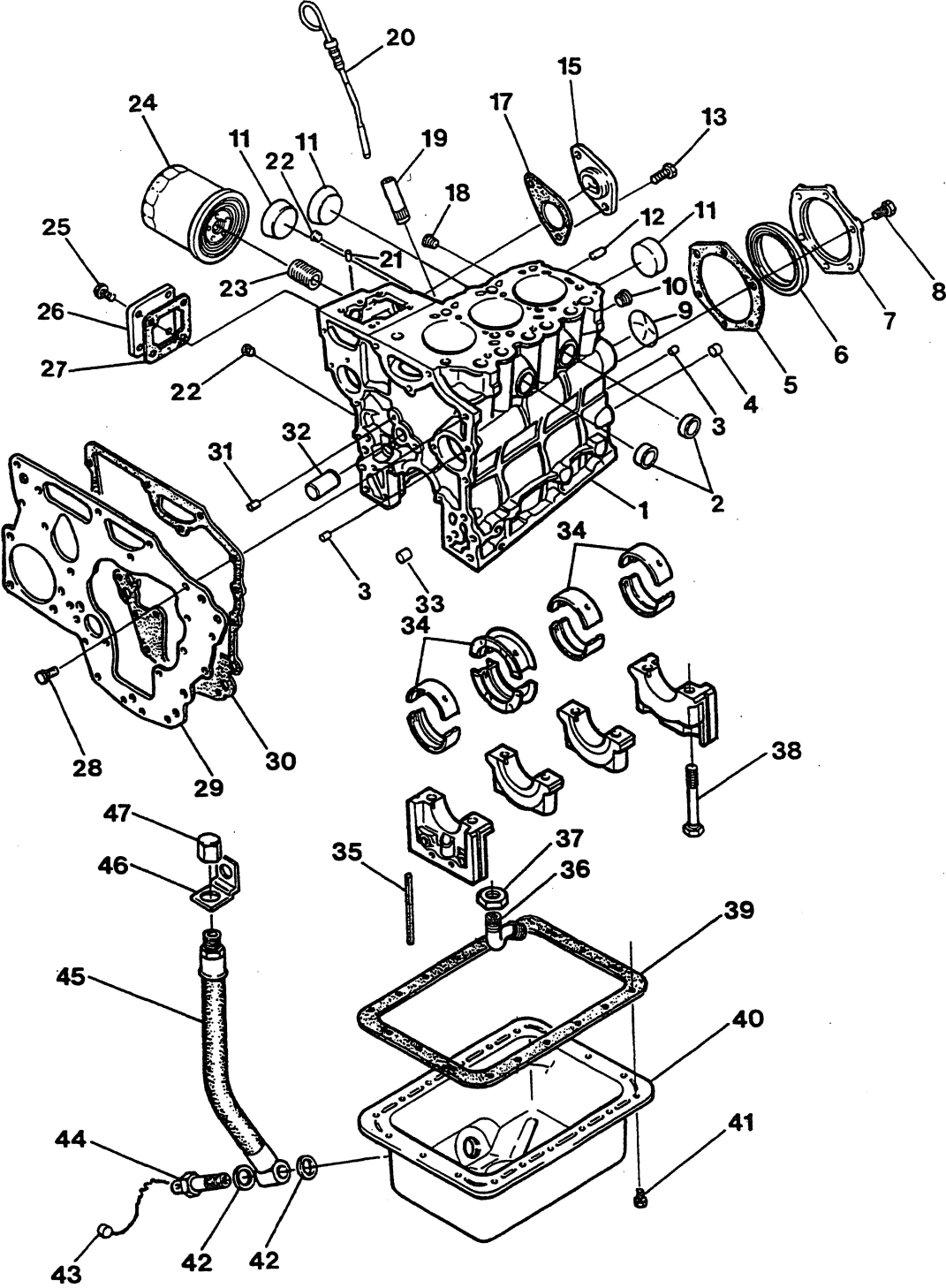
Westerbeke customers should also keep in mind the time span between printings of Westerbeke product software, and the unavoidable existence of earlier, non-current Westerbeke software editions in the field. Additionally, most Westerbeke products include customer-requested special features that frequently do not include complete documentation.

In summation, product software provided with Westerbeke products, whether from Westerbeke or other suppliers, must not and cannot be relied upon exclusively as the definitive authority on the respective product. It not only makes good sense but is imperative that appropriate representatives of Westerbeke or the supplier in question be consulted to determine the accuracy and currency of the product software being consulted by the customer.

TABLE OF CONTENTS

CYLINDER BLOCK	2	BACKEND - GENERATOR	24
PARTS LIST	3	PARTS LIST	25
CYLINDER HEAD, VALVES, ROCKER SHAFT	4	AC OUPUT	26
PARTS LIST	5	PARTS LIST	27
CRANKSHAFT - PISTONS	6	AC CIRCUIT BREAKER	28
PARTS LIST	7	PARTS LIST	29
CAMSHAFT - TIMING SYSTEM	8	CONTROL PANEL	30
PARTS LIST	9	PARTS LIST	31
COOLING SYSTEM	10	SEA RAY CONTROL PANEL	32
PARTS LIST	11	PARTS LIST	33
COOLING SYSTEM	12	START/STOP PANELS	34
PARTS LIST	13	PARTS LIST	34
RAW WATER PUMP	14	BELT, PULLEY & BELT GUARD	35
PARTS LIST	15	PARTS LIST	35
GOVERNOR SYSTEM	16	SOUND GUARD # 038182	36
PARTS LIST	17	PARTS LIST	37
FUEL SYSTEM	18	SOUND GUARD # 043132	38
PARTS LIST	19	PARTS LIST	38
FUEL SYSTEM	20	SOUND GUARD # 047484	39
PARTS LIST	21	PARTS LIST	39
ELECTRICAL SYSTEM	22	MISCELLANEOUS PARTS	40
PARTS LIST	23	PARTS LIST	40

CYLINDER BLOCK

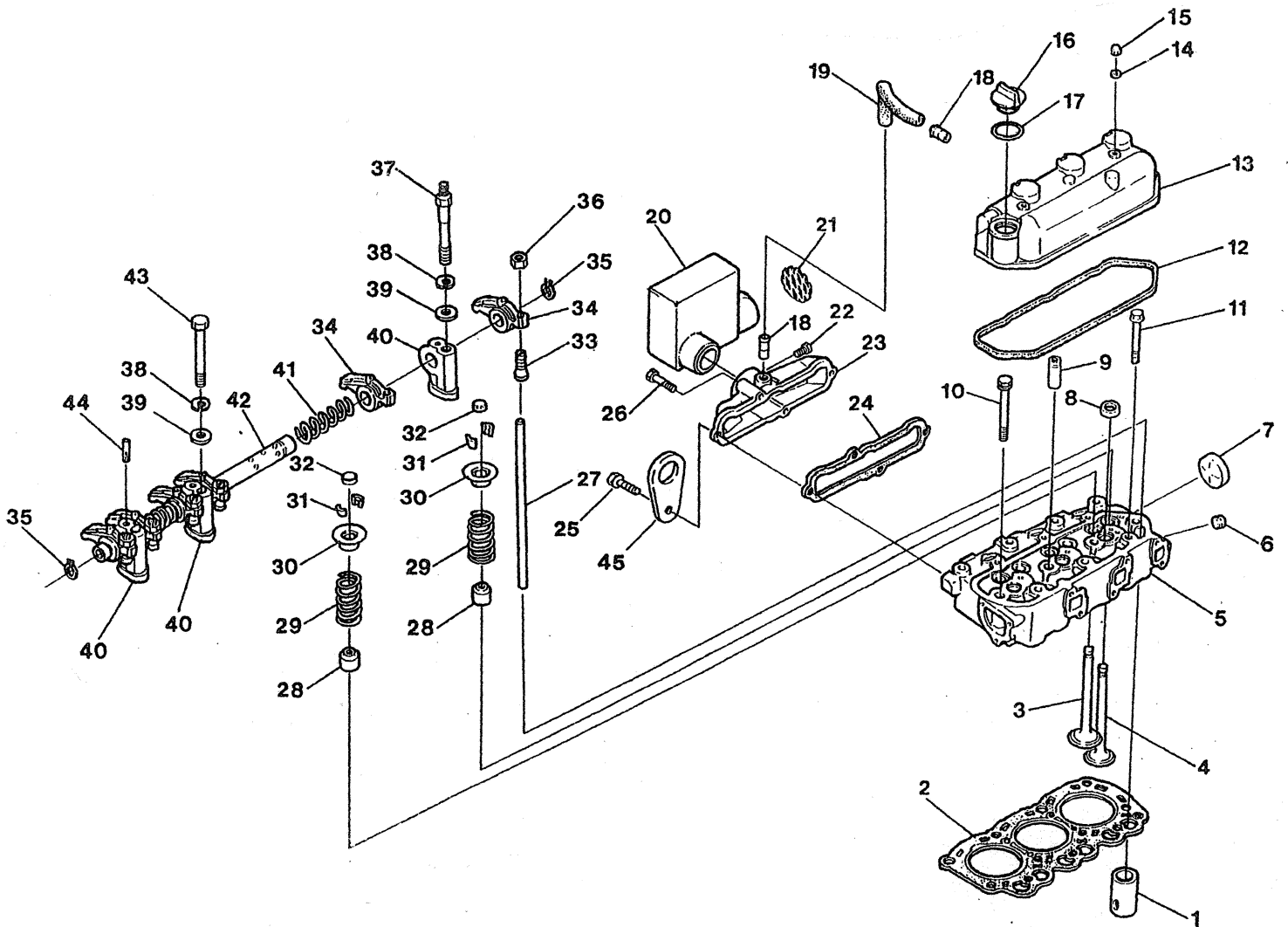


CYLINDER BLOCK

Item	Part No.	Quantity	Name/Description
1-1	038499	1	BLOCK, ASSEMBLY INCLUDING HEAD 5.0 BCD NLA*
1-2	038499	1	BLOCK, ASSEMBLY INCLUDING HEAD 5.0 BCDA NLA*
1-3	042400	1	BLOCK, ASSEMBLY INCLUDING HEAD 5.0 BCDB
1-4	054199	1	BLOCK, ASSEMBLY INCLUDING HEAD 5.5 BCD
2	024373	2	PLUG, EXPANSION-CUP 25 MM
3	033212	2	DOWEL, TUBULAR 6 X 9
4	030708	3	DOWEL, TUBULAR 10 X 9
5	036963	1	GASKET, OIL SEAL FLANGE
6	036917	1	SEAL, OIL
7	036945	1	FLANGE, OIL SEAL
8	018804	6	CAPSCREW, M 6 X 20 DIN 933
9	036940	1	PLUG, EXPANSION 35 MM DIN 470
10	030712	1	PLUG, 1/4 BSPT DIN 906
11	033657	3	PLUG, EXPANSION-CUP 40 MM
12	030272	1	DOWEL
13	016789	2	CAPSCREW, M 8 X 16 DIN 933
15	038679	1	COVER
17	036987	1	GASKET , COVER TO BLOCK
18	030712	1	PLUG, 1/4 BSPT BLOCK, DRAIN
19	037073	1	TUBE, DIPSTICK
20	037072	1	DIPSTICK
21	036943	2	DOWEL
22	030239	3	PLUG, 1/16
23	030214	1	NIPPLE, OIL FILTER
24	036918	1	FILTER, LUBE OIL
25-1	031810	4	CAPSCREW, M 6 X 14 DIN 933
25-2	031783	4	LOCKWASHER, M 6 DIN 127
26	037045	1	COVER, TIE ROD
27	036981	1	GASKET, TIE ROD COVER
28-1	031810	7	CAPSCREW, M 6 X 14 DIN 933
28-2	031783	7	LOCKWASHER, M 6 DIN 127
29	036997	1	PLATE, FRONT
30	037004	1	GASKET, FRONT PLATE
31	030707	2	DOWEL, TUBULAR 8 X 13
32	037005	1	SHAFT, IDLER
33	037114	1	DOWEL, TUBULAR 6 X 13
34-1	037018	1	BEARING, SET MAIN STD
34-2	037062	1	BEARING, SET MAIN 0.25 MM
34-3	037063	1	BEARING, SET MAIN 0.50 MM
35	036962	4	SEAL, SIDE MAIN BEARING CAP
36	037068	1	STRAINER, OIL PICKUP INCLUDING NUT
37	031809	1	NUT, M14 X 1.5 JAM
38	036916	8	BOLT, MAIN BEARING CAP
39	036988	1	GASKET, LUBE OIL SUMP
40	037095	1	SUMP, LUBE OIL
41-1	031825	18	CAPSCREW, M 6 X 12 DIN 933
41-2	031783	18	LOCKWASHER, M 6 DIN 127 18
42	036493	2	WASHER, SUMP DRAIN BANJO
43	037393	1	SEAL, LEAD WIRE
44	036819	1	BOLT, BANJO - SUMP DRAIN
45	030846	1	HOSE, SUMP DRAIN
46	024922	1	BRACKET
47	024905	1	CAP

*No longer available

CYLINDER HEAD - VALVES - ROCKER SHAFT

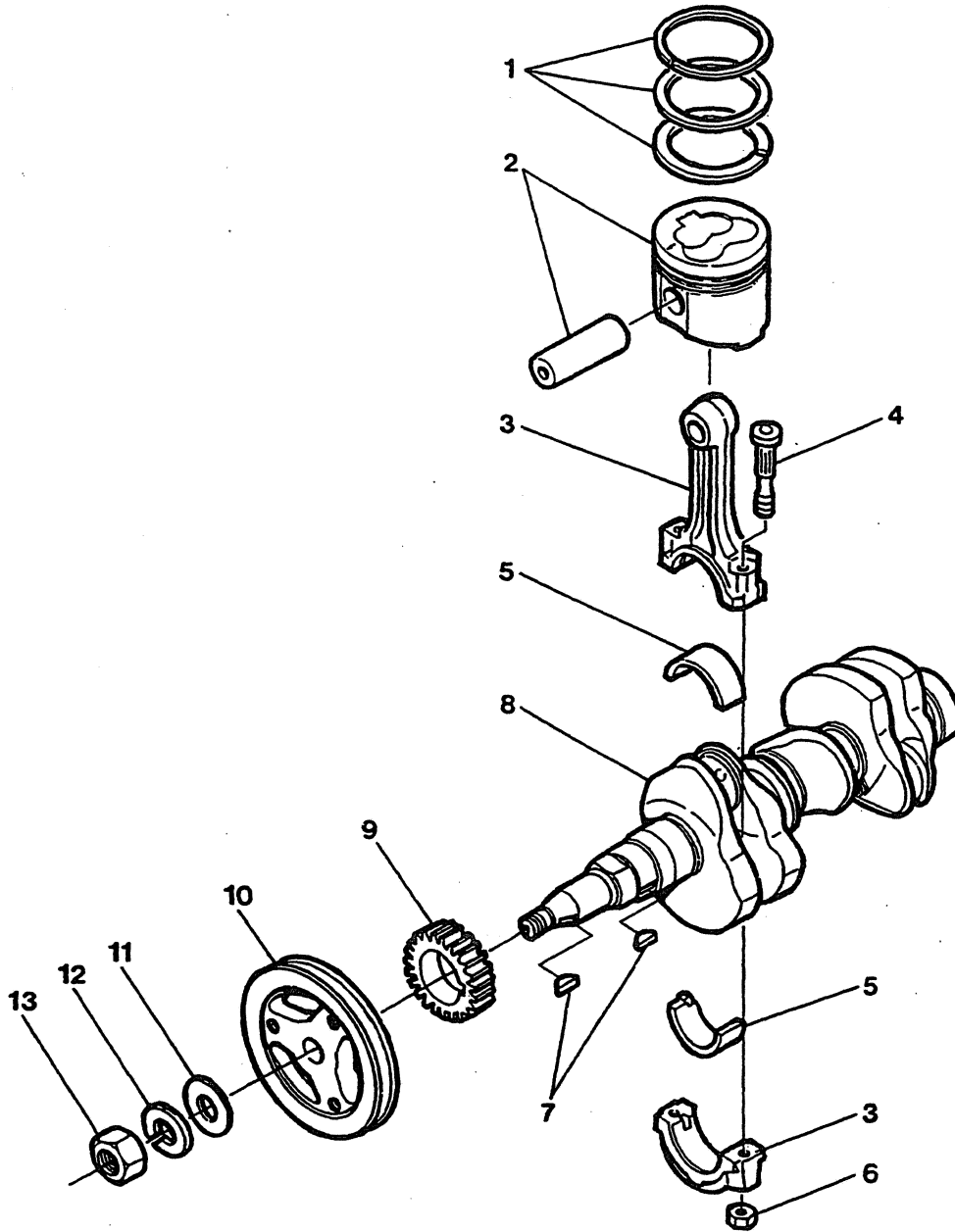


CYLINDER HEAD - VALVES - ROCKER SHAFT

Item	Part No.	Quantity	Name/Description
1	037056	6	TAPPET
2-1	038448	1	GASKET, CYLINDER HEAD 5.0 BCD, 5.0 BCDA
2-2	043550	1	GASKET, CYLINDER HEAD 5.0 BCDB
2-3	036969	1	GASKET, CYLINDER HEAD 5.5 BCD
3	036958	3	VALVE, INTAKE
4-1	036959	3	VALVE, EXHAUST 24.70 MM DIA.
4-2	056139	3	VALVE, EXHAUST 24.72 MM DIE
NLA* 5-1	038454	1	HEAD, CYLINDER INCL GUIDES 5.0 BCD, 5.0 BCDA
5-2	043559	1	HEAD, CYLINDER INCL GUIDES 5.0 BCDB
5-3	056137	1	HEAD, CYLINDER INCLUDING GUIDES & VALVE SEATS
6	030711	1	PLUG, 1/8 BSPT DIN 906
7	033657	1	PLUG, EXPANSION-CUP 40 MM
8	024369	3	PLUG, EXPANSION-CUP 20 MM
9	033134	6	GUIDE, VALVE
10	036954	8	BOLT, CYLINDER HEAD M 10 X 83 CYLINDER
11	036919	3	BOLT, HEAD M 8 X 70
12	037007	1	GASKET, ROCKER COVER
13	037087	1	COVER, ROCKER
14	031784	2	WASHER, M 6 DIN 125
15	036936	2	NUT, CAP M 6
16-1	033126	1	CAP, OIL FILLER INCLUDING O-RING - SCREW IN
16-2	041487	1	CAP, OIL FILLER - PUSH IN
17	033123	1	O-RING, OIL FILLER CAP 33126
18	030219	2	NIPPLE, BREATHER HOSE
19	037046	1	HOSE, BREATHER
20	037191	1	SILENCER, AIR INTAKE
21	034620	1	SCREEN, AIR INTAKE SILENCER
22-1	017012	1	CAPSCREW, M 6 X 16 DIN 933
22-2	031783	1	LOCKWASHER, M 6 DIN 127
22-3	031784	1	WASHER, M 6 DIN 125
23	037008	1	MANIFOLD, INTAKE
24	036980	1	GASKET, INTAKE MANIFOLD TO HEAD
25	018804	2	CAPSCREW, M 6 X 20 DIN 933
26	034642	2	CAPSCREW, M 6 X 45 DIN 931
27	037026	6	PUSHROD
28	030242	6	SEAL, STEM VALVE
29	036986	6	SPRING, VALVE
30	033149	6	SEAT, VALVE SPRING
31	030241	12	COLLET, VALVE SPRING
32	036979	6	CAP, VALVE STEM
33	037029	6	SCREW, ROCKER ADJUSTING
34	037027	6	ROCKER
35	033124	2	RING, RETAINING
36	031801	6	NUT, M 6 JAM
37	037053	2	BOLT, ROCKER BRACKET
38	031786	3	LOCKWASHER, M 8 DIN 127
39	031787	3	WASHER, M 8 DIN 125
40	033152	3	BRACKET, ROCKER
41	033151	2	SPRING, ROCKER SHAFT
42	036967	1	SHAFT, ROCKER
43	031225	1	CAPSCREW, M 8 X 60 DIN 931
44	036960	1	PIN, GROOVED
45	041250	1	EYE, FRONT LIFTING

*No longer available

CRANKSHAFT - PISTONS

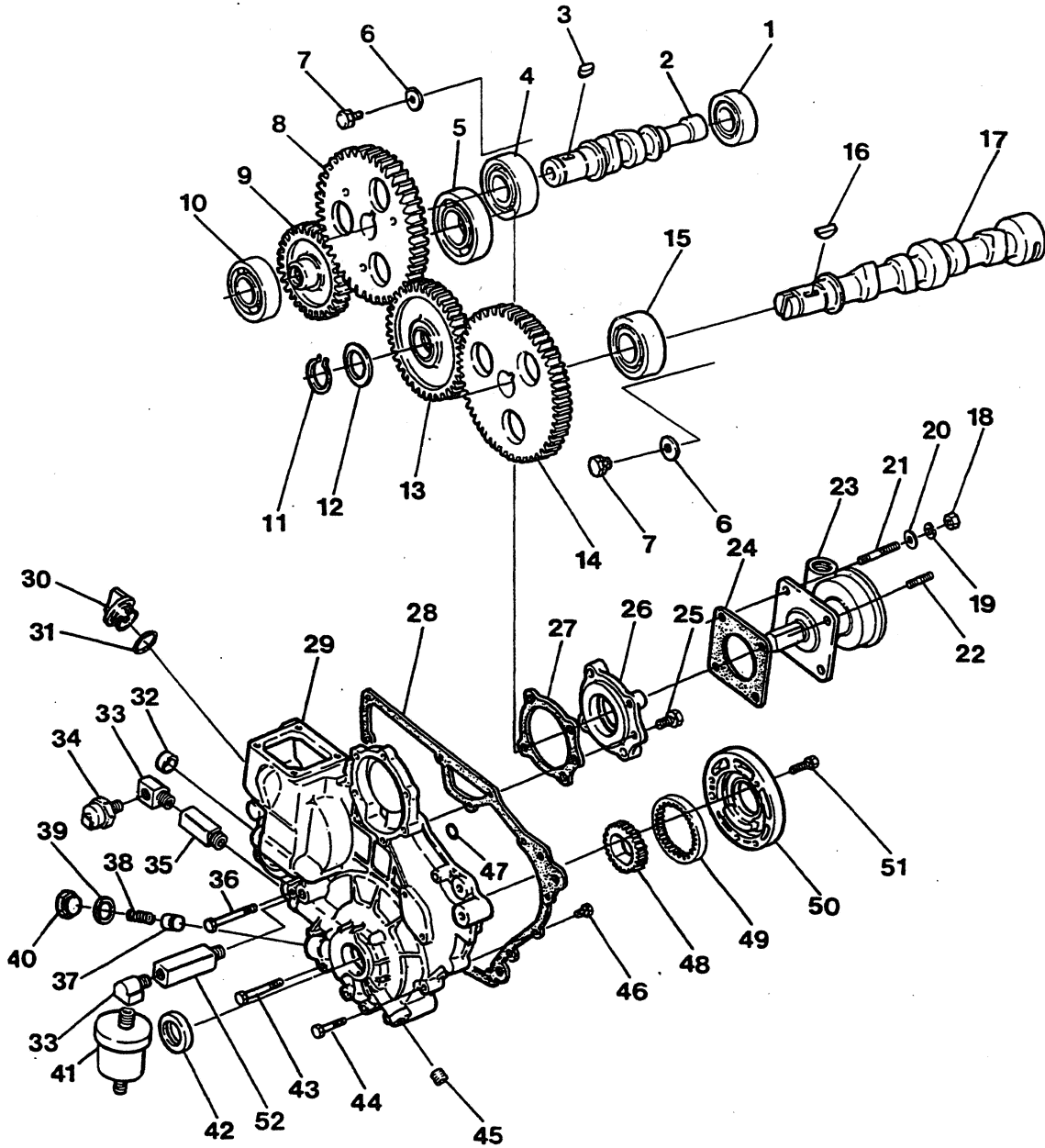


CRANKSHAFT - PISTONS

Item	Part No.	Quantity	Name/Description
1-1	038449	3	RING SET, PISTON STD 5.0 BCD, 5.0 BCDA
1-2	038451	3	RING SET, PISTON 0.25 MM 5.0 BCD, 5.0 BCDA
1-3	038452	3	RING SET, PISTON 0.50 MM 5.0 BCD, 5.0 BCDA
1-4	043551	3	RING SET, PISTON STD 5.0 BCDB
1-5	043553	3	RING SET, PISTON 0.25 MM 5.0 BCDB
1-6	043554	3	RING SET, PISTON 0.50 MM 5.0 BCDB
2-1	038456	3	PISTON, INCLUDING PIN STD 5.0 BCD, 5.0 BCDA
2-2	040892	3	PISTON, INCLUDING PIN 0.25 MM 5.0 BCD, 5.0 BCDA
2-3	040993	3	PISTON, INCLUDING PIN 0.50 MM 5.0 BCD, 5.0 BCDA
2-4	043556	3	PISTON, INCLUDING PIN STD 5.0 BCDB
2-5	043557	3	PISTON, INCLUDING PIN 0.25 MM 5.0 BCDB
2-6	043558	3	PISTON, INCLUDING PIN 0.50 MM 5.0 BCDB
2-7	052437	3	PISTON, 21 MM WRIST PIN STD
2-8	052438	3	PISTON, 21 MM WRIST PIN 0.25 MM
2-9	052439	3	PISTON, 21 MM WRIST PIN 0.50 MM
3-1	038447	3	ROD, CONNECTING INCL 4 & 6 5.0 BCD, 5.0 BCDA
3-2	037072	3	ROD, CONNECTING INCL 4 & 6 5.0 BCDB
3-3	052440	3	ROD, INCL # 4 & #6 21 MM WRIST PIN
4	036914	6	BOLT, CONNECTING ROD
5-1	037069	3	BEARING, SET CONNECTING ROD STD
5-2	037066	3	BEARING, SET CONNECTING ROD 0.25 MM
5-3	037067	3	BEARING, SET CONNECTING ROD 0.50 MM
6	030231	6	NUT, CONNECTING ROD BOLT
7	030274	2	KEY, WOODRUFF
8	040926	1	CRANKSHAFT
9	036994	1	GEAR, CRANKSHAFT
10	036993	1	PULLEY, CRANKSHAFT
11	037167	1	WASHER, M 16
12	037168	1	LOCKWASHER, M 16
13	033538	1	NUT, M 16 JAM

Note: Refer to Parts Dept Bulletin #2010-2 dated 9 June 20, 2010.
Subject: Piston Wrist Pin Size Change.

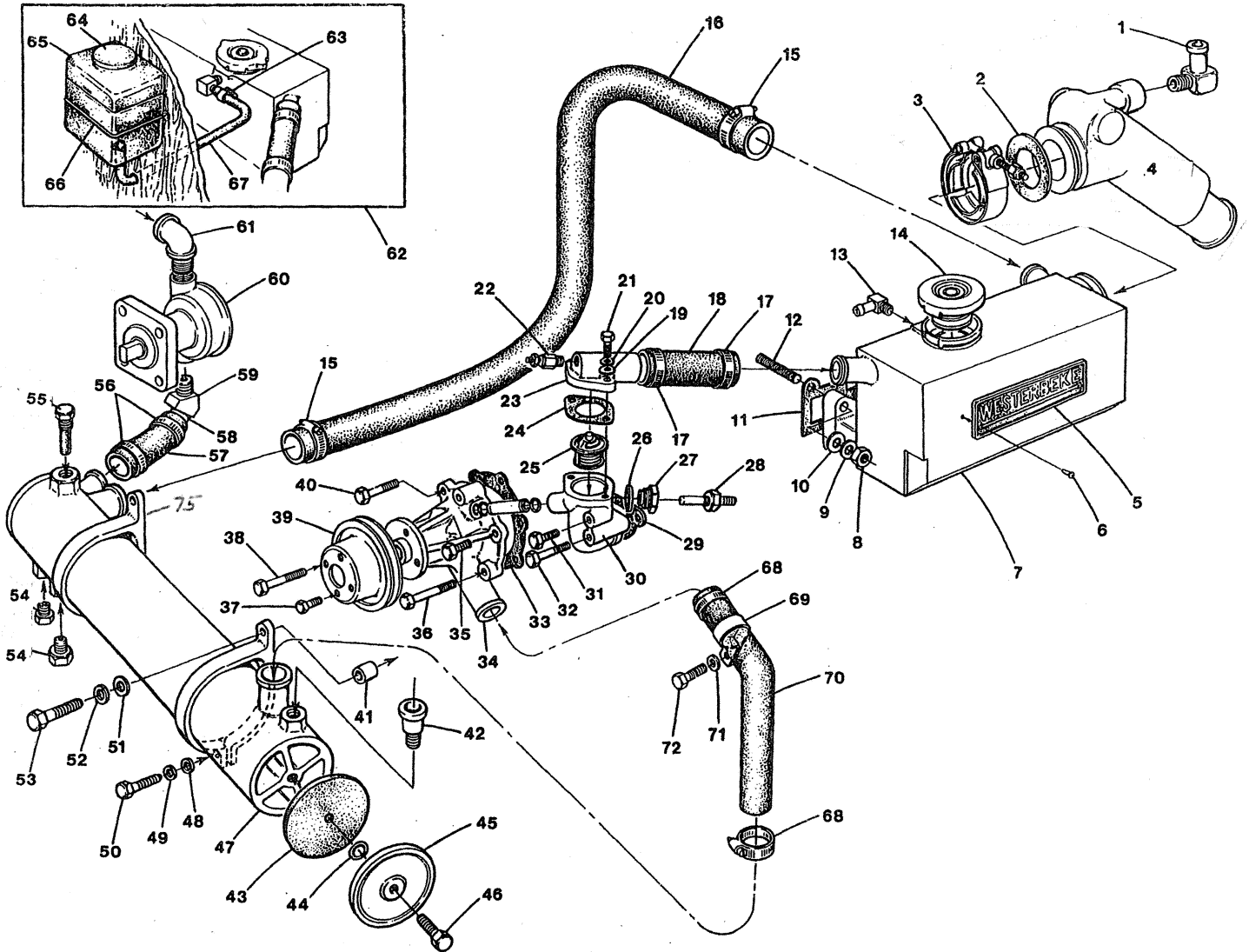
CAMSHAFT - TIMING SYSTEM



CAMSHAFT - TIMING SYSTEM

Item	Part No.	Quantity	Name/Description
1	036949	1	BEARING, BALL
2	037075	1	CAMSHAFT, INJECTION PUMP
3	030273	1	KEY
4	036948	1	BEARING, BALL
5	036950	1	BEARING, BALL
6	036970	2	WASHER, CAMSHAFT RETAINING
7-1	031825	2	CAPSCREW, M 6 X 12 DIN 933
7-2	031783	2	LOCKWASHER, M 6 DIN 127
8	037006	1	GEAR, INJECTION PUMP CAMSHAFT
9	036996	1	GEAR, SEA WATER PUMP DRIVE
10	036948	1	BEARING, BALL
11	030280	1	RING, RETAINING
12	036978	1	SPACER
13	037025	1	GEAR, IDLER
14	036995	1	GEAR, CAMSHAFT
15	036948	1	BEARING, BALL
16	030274	1	KEY, WOODRFF
17	037017	1	CAMSHAFT
18	018242	4	NUT, M 8 DIN 934
19	031786	4	LOCKWASHER, M 8 DIN 127
20	031787	4	WASHER, M 8 DIN 125
21	031281	3	STUD, M 8 X 40 DIN 939
22	015828	1	STUD, M 8 X 22 DIN 939
23	033636	1	PUMP, SEA WATER
24	030326	1	GASKET, SEA WATER PUMP MOUNTING
25-1	013630	1	CAPSCREW, M 8 X 25 DIN 933
25-2	031786	1	LOCKWASHER, M 8 DIN 127
26	036946	1	HOUSING, BEARING
27	036982	1	GASKET, HOUSING
28	037019	1	GASKET, GEAR CASE
29	037086	1	CASE, GEAR
30	033126	1	CAP, OIL FILLER INCLUDING O-RING
31	033123	1	O-RING, OIL FILLER CAP
32	036968	1	CAP, SEALING
33	013340	2	ELBOW, 1/8 NPT STREET
34	037323	1	SWITCH, OIL PRESSURE
35	037508	1	ADAPTER, 1/8 BSPT TO 1/8 NPT
36	034397	1	CAPSCREW, M 6 X 65 DIN 931
37	030244	1	PLUNGER, OIL RELIEF VALVE
38	037030	1	SPRING, OIL RELIEF VALVE
39	030225	1	GASKET OIL, RELIEF VALVE PLUG
40	030461	1	PLUG, OIL RELIEF VALVE
41	0241'32	1	SENDER, OIL PRESSURE
42	036915	1	SEAL, OIL
43	030146	4	CAPSCREW, M 6 X 55 DIN 931
44	0'31824	3	CAPSCREW, M 6 X 35 DIN 933
45	030712	1	PLUG, 1/4 BSPT DIN 906
46-1	031810	4	CAPSCREW, M 6 X 14 DIN 933
46-2	031783	4	LOCKWASHER, M 6 DIN 127
47	036938	2	O-RING
48	037050	1	GEAR, OIL PUMP INNER
49	037051	1	GEAR, OIL PUMP OUTER
50	037070	1	HOUSING, OIL PUMP 1
51-1	013590	3	CAPSCREW, M 6 X 30 DIN 933
51-2	031783	3	LOCKWASHER, M 6 DIN 127
52	024844	1	ADAPTER, 1/8 BSPT TO 1/8 NPT

COOLING SYSTEM



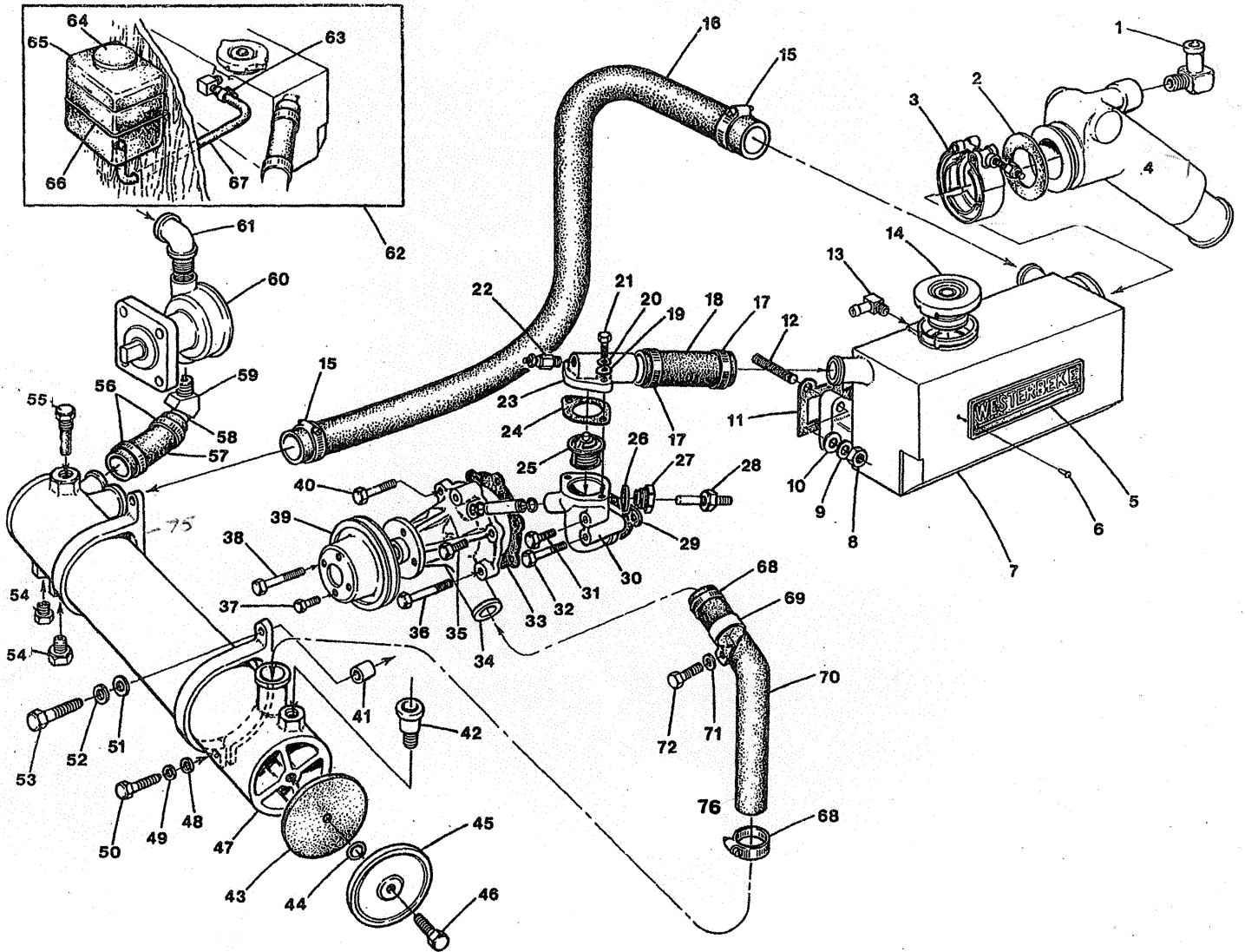
COOLING SYSTEM

Item	Part No.	Quantity	Name/Description
1	1036616	1	ELBOW, 1/2 NPT TO 1 HOSE
2	036425	1	GASKET, EXHAUST ELBOW TO MANIFOLD
3	036541	1	CLAMP, ELBOW TO MANIFOLD
NLA* 4-1	038114	1	ELBOW (NLA), WATER INJECTED 45°
4-2	037534	1	ELBOW, 45° KIT (REPLACES 4-1) ITEMS 1-4
5	035411	1	NAMEPLATE
6	031935	2	SCREW, 8-32 X 1/4 SS OVAL HEAD
7	037312	1	MANIFOLD, EXHAUST
8	018242	6	NUT, M 8 DIN 934
9	031786	6	LOCKWASHER, M 8 DIN 127
10	031787	6	WASHER, M 8 DIN 125
11	036955	1	GASKET, MANIFOLD TO HEAD
12	015830	6	STUD, M 8 X 25 DIN 939
13	024907	1	ELBOW, COOLANT RECOVERY TANK CONNECTION
14	024306	1	CAP, PRESSURE
15	011405	2	CLAMP, HOSE 16
16	038079	1	HOSE, MANIFOLD TO EXCHANGER
17	011405	2	CLAMP, HOSE 16
18	037383	1	HOSE, THERMOSTAT TO MANIFOLD
19	031784	2	WASHER, M 6 DIN 125
20	031783	2	LOCKWASHER, M 6 DIN 127
21	018804	2	CAPSCREW, M 6 X 20 DIN 933
22	039550	1	SWITCH, WATER TEMPERATURE
23	036228	1	HOUSING, THERMOSTAT
24	036956	1	GASKET, THERMOSTAT
25	037043	1	THERMOSTAT
26	037162	1	GASKET, ADAPTER TO HOUSING
27	024602	1	ADAPTER, M 16 X 1.5 TO 1/8 NPT
28	035109	1	SENDER, WATER TEMPERATURE
29	037016	1	GASKET, LOWER THERMOSTAT HOUSING
30	037057	2	HOUSING, LOWER THERMOSTAT
31	018804	2	CAPSCREW, M 6 X 20 DIN 933
32	033351	1	CAPSCREW, M 6 X 60 DIN 931
33	036957	1	GASKET, FRESH WATER PUMP
34	037015	1	PUMP, FRESH WATER
35	018804	2	CAPSCREW, M 6 X 20 DIN 933
36	030146	2	CAPSCREW, M 6 X 55 DIN 931
37-1	031825	4	CAPSCREW, M 6 X 12 DIN 933
37-2	031783	4	LOCKWASHER, M 6 DIN 127
38	034642	1	CAPSCREW, M 6 X 45 DIN 931
39	030386	1	PULLEY, FRESH WATER PUMP
40	031824	1	CAPSCREW, M 6 X 35 DIN 933
41	034497	2	SPACER, EXCHANGER TO BLOCK
42	036622	1	NIPPLE, 3/4 NPT TO 1 HOSE
43	022851	2	GASKET, EXCHANGER END COVER
44	019321	2	O-RING
45	022850	2	COVER, EXCHANGER END
46	022852	3	CAPSCREW, 3/8 NC X 3/4 BRASS

*No longer available

CONTINUED.

COOLING SYSTEM



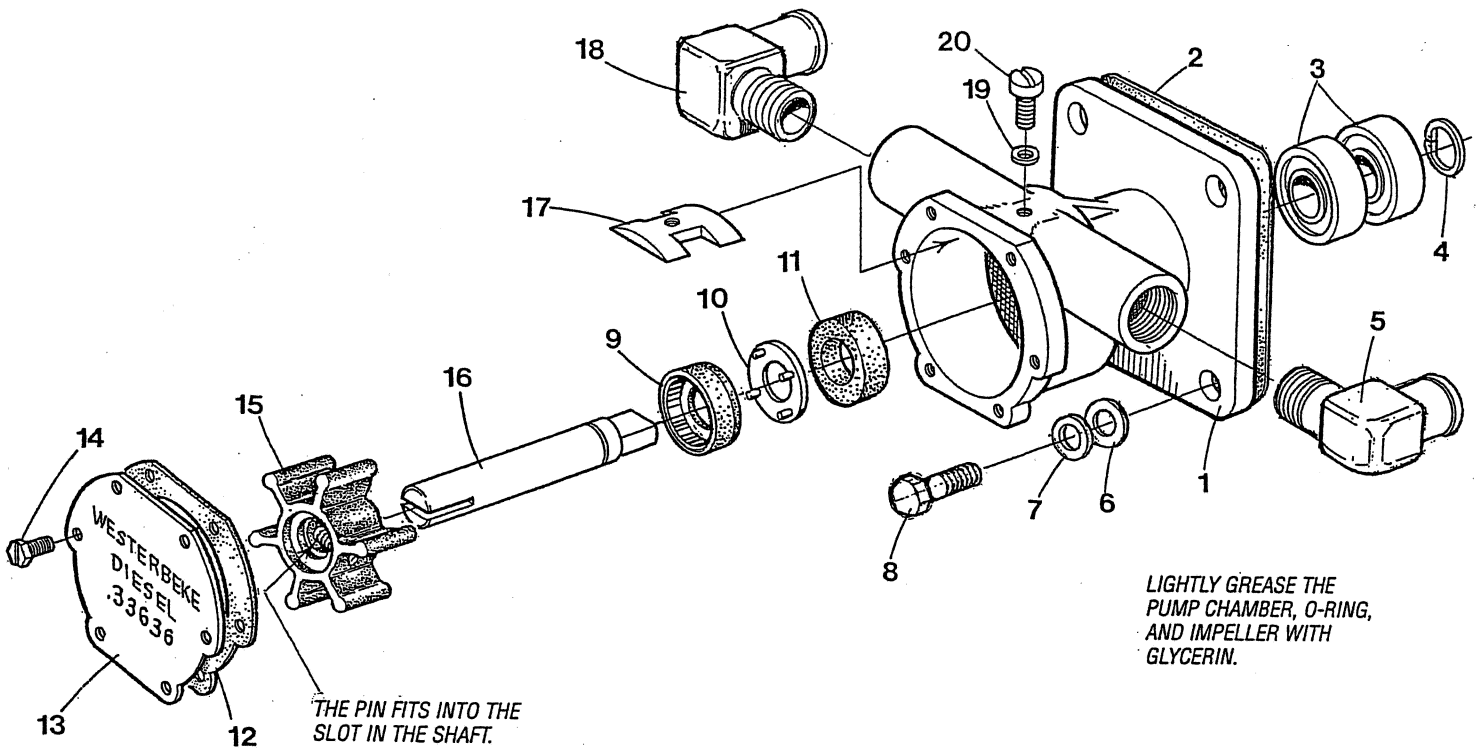
COOLING SYSTEM

Item	Part No.	Quantity	Name/Description
47-1	038147	1	EXCHANGER, HEAT (COPPER TUBES)
47-2	044047	1	EXCHANGER, HEAT (CUPRONICKEL TUBES)
48	031753	2	WASHER, FLAT 1/4
49	031752	2	LOCKWASHER, 1/4
50	031506	2	CAPSCREW, 1/4NC X 1-1/4
51	031789	2	WASHER, M10 DIN 125
52	019262	2	LOCKWASHER, M10 DIN 127
53	041130	2	CAPSCREW, M10 X 1.25 X 45 JIS
54	019369	2	PLUG, 1/8 NPT BRASS
55	011885	1	ZINC
56	011386	2	CLAMP, HOSE 12
57	038080	1	HOSE, SEA WATER PUMP. TO EXCHANGER
58	032947	1	NIPPLE, 3/8 NPT TO 7/8 HOSE
59	013337	1	ELBOW, 3/8 NPT STREET 45
60	033636	1	PUMP, SEA WATER
61	038076	1	ELBOW, 3/8 NPT TO 1 HOSE
62	024977	1	KIT, COOLANT RECOVERY TANK
63	024906	2	CLAMP, HOSE
64	024858	1	CAP, COOLANT RECOVERY TANK
65	024704	1	TANK, COOLANT RECOVERY
66	024786	1	STRAP, COOLANT RECOVERY TANK MOUNTING
67	024637	60	TUBING, INCHES REQUIRED
68	011405	2	CLAMP, HOSE 16
69	011405	2	CLAMP, HOSE 16
70	049974	1	ADAPTER, EXHANGER TO PUMP
71-1	031783	1	LOCKWASHER, M 6 DIN 127
71-2	031784	1	WASHER, M 6 DIN 125
72	031825	1	CAPSCREW, M 6 X 12 DIN 933
73	036947	1	TUBE, THERMOSTAT BYPASS
74	036937	2	O-RING
75	034434	2	CLAMP, HEAT EXCHANGER
76	015774	per inch	HOSE, 1 1/8 WIRE INSERTED

66

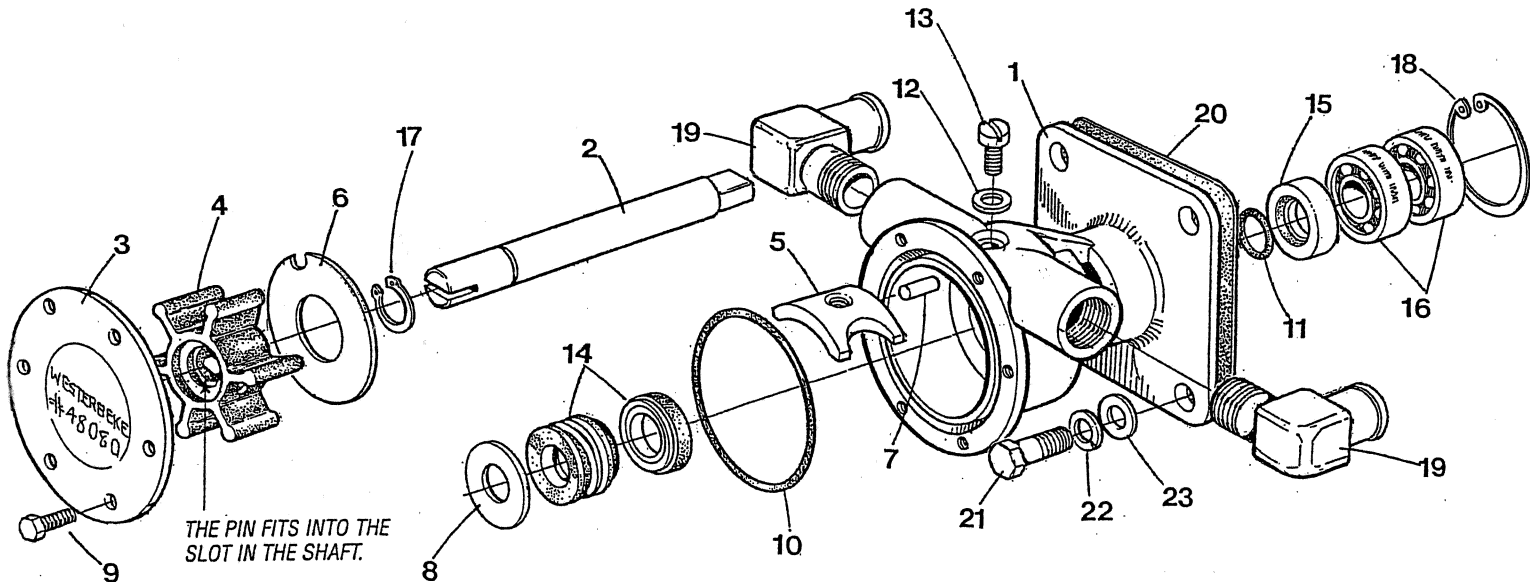
RAW WATER PUMP

Item	Part No.	Quantity	Name/Description
1-1	033636	1	RAW WATER PUMP (No Longer Available)
1-2	034466	1	PUMP KIT
2	030326	1	GASKET
3	034464	2	BEARING
4	033044	1	RETAINING RING
5	034710	1	ELBOW, 3/8 NPT TO 7/8 HOSE (NOT INCL. W/PUMP)
6	031787	4	WASHER, M8 DIN 125
7	031786	4	LOCKWASHER, M8 DIN 127
8	017190	4	CAPSCREW, M8 x 20 DIN 933
9	048013	1	SEAL
10	030070	1	SPACER
11	033043	1	OIL SEAL
12	034459	1	GASKET
13	034461	1	COVER
14	034463	6	SCREW
15	034440	1	IMPELLER, SCREW-GASKET KIT 1
16	034460	1	SHAFT
17	034450	1	CAM
18	036612	1	ELBOW 3/8 NPT TO 1' HOSE (NOT INCL. W/PUMP)
19	033037	1	WASHER
20	034462	1	SCREW



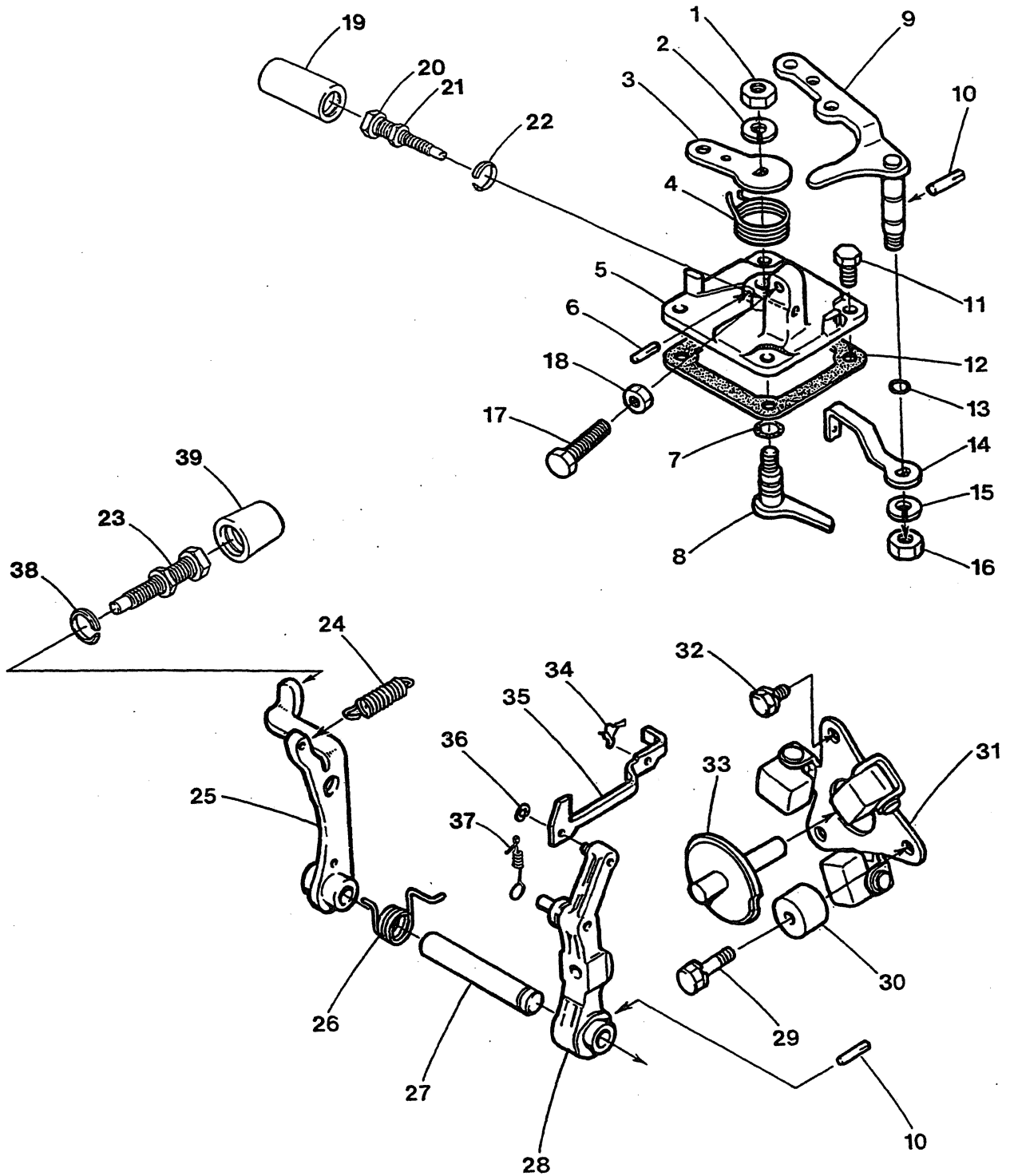
RAW WATER PUMP (from March 2004)

Item	Part No.	Quantity	Name/Description
1	048080	1	RAW WATER PUMP
2	049172	1	SHAFT
3	049170	1	IMPELLER COVER
4	048500	1	IMPELLER KIT (O-RING & GLYCERIN)
5	034458	1	CAM
6	049171	1	WEAR PLATE
7	0302575	1	DOWEL
8	048253	1	SPRING SEAL WASHER
9	034463	1	IMPELLER COVER SCREW
10	048359	1	IMPELLER COVER O-RING
11	033041	1	O-RING
12	033037	1	CAM WASHER
13	046662	1	CAM SCREW
14	048254	1	SPRING SEAL
15	049169	1	LIP SEAL
16	034464	2	BALLBEARING
17	033045	1	RETAINING INTERNAL RING
18	033044	1	RETAINING EXTERNAL RING
19	034710	1	ELBOW 3/8 NPT TO 7/8 HOSE
—	036612	1	ELBOW 3/8 NPT TO 1" HOSE
20	030320	1	MOUNTING GASKET
—	049000	1	PUMP REPAIR KIT (INCLUDES ALL COMPONENTS EXCEPT ITEMS 1,7, & 19)
—	037431	1	PUMP KIT (PUMP, MOUNTING GASKET & FITTINGS)



LIGHTLY GREASE THE
PUMP CHAMBER, O-RING,
AND IMPELLER WITH
GLYCERIN.

GOVERNOR SYSTEM

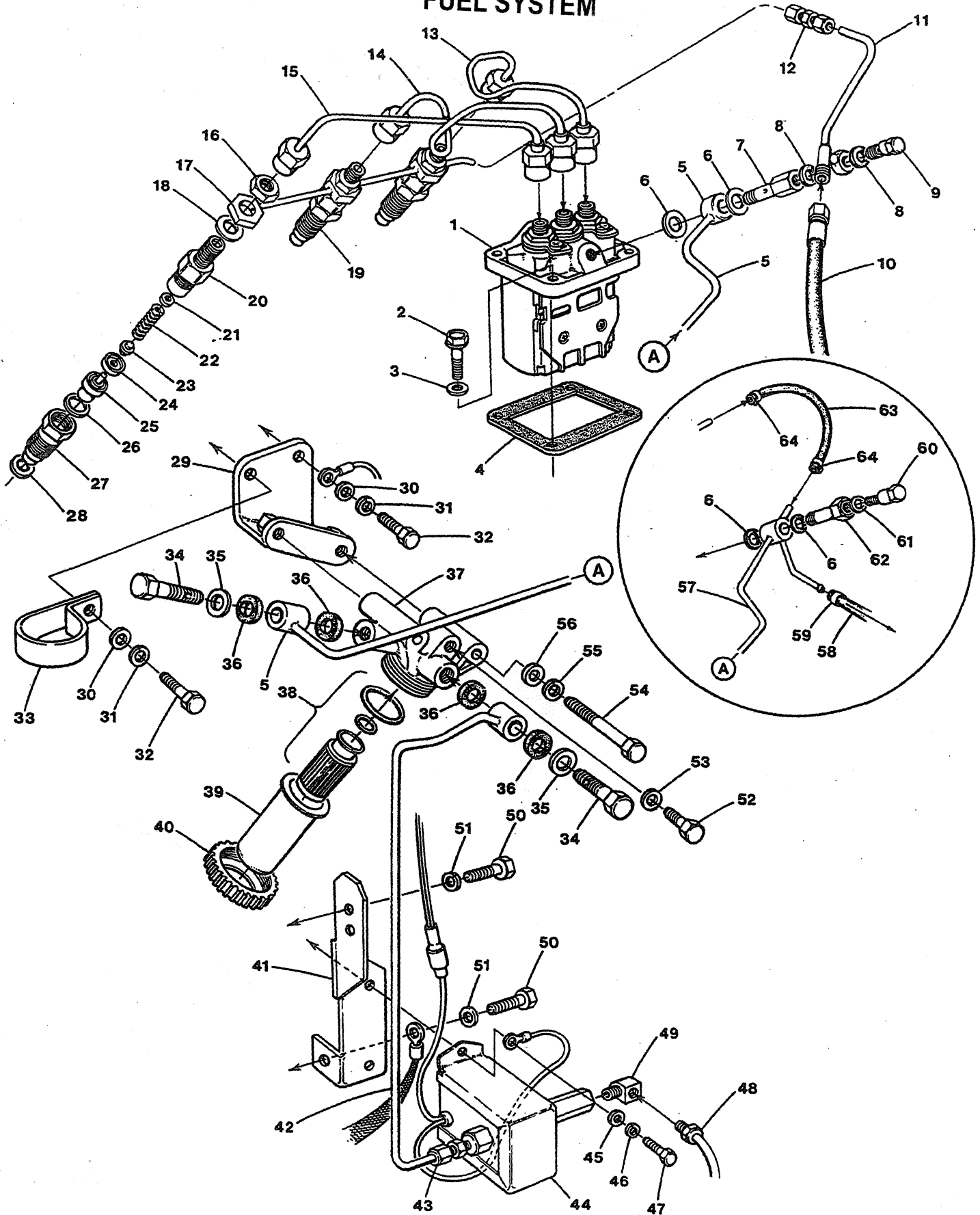


GOVERNOR SYSTEM

Item	Part No.	Quantity	Name/Description
1	031802	1	NUT, M 8 JAM
2	031786	1	LOCKWASHER, M 8 DIN 127
3	043988	1	LEVER, STOP
4	043986	1	SPRING, RETURN
5	043982	1	COVER
6	043985	1	PIN, GROOVED
7	030277	1	O-RING
8	043987	1	LEVER, STOP
9	037090	1	LEVER, THROTTLE
10	036942	2	PIN, GROOVED
11	031825	4	CAPSCREW, M 6 X 12 DIN 933
12	037024	1	GASKET, GOVERNOR COVER
13	030277	1	O-RING
14	036989	1	LEVER, GOVERNOR SPRING
15	031786	1	LOCKWASHER, M 8 DIN 127
16	031802	1	NUT, M 8 JAM
17	038680	1	SCREW, LOW SPEED SET
18	015812	1	NUT, M 6 DIN 934
19	043983	1	COVER, HIGH SPEED SET SCREW ANTI-TAMPER
20	043978	1	SCREW, HIGH SPEED SET INCL NUT
21		1	NUT, SEE REF 20
22	043984	1	C-RING
23	043977	1	SCREW ASSEMBLY, RACK SET
24-1	038458	1	SPRING, GOVERNOR 5.0 BCD 15.0 BCDA
24-2	037109	1	SPRING, GOVERNOR 5.0 BCDB
25	037079	1	LEVER, TENSION
26	037092	1	SPRING, START
27	037080	1	SHAFT, GOVERNOR
28	037078	1	LEVER, GOVERNOR
29-1	020628	1	CAPSCREW, M 6 X. 25 DIN 933
29-2	031783	1	LOCKWASHER, M 6 DIN 127
30	033200	1	STOPPER, GOVERNOR
31-1	038455	1	WEIGHT, ASSEMBLY-GOVERNOR 5.0 BCD 15.0
31-2	043979	1	WEIGHT, ASSEMBLY-GOVERNOR 5.0 BCDB
32-1	015816	2	CAPSCREW, M 6 X 10 DIN 933
32-2	031783	2	LOCKWASHER, M 6 DIN 127
33-1	038457	1	SHAFT, GOVERNOR SLIDING 5.0 BCD, 5.0 BCDA
33-2	036941	1	SHAFT, GOVERNOR SLIDING 5.0 BCDB
34	037022	1	CLIP, TIE ROD
35	037021	1	ROD, TIE
36	036939	1	RING, RETAINING
37	043989	1	SPRING, TIE ROD
38	043980	1	C-RING
39	043981	1	COVER, TORQUE SET ANTI-TAMPER

OK

FUEL SYSTEM



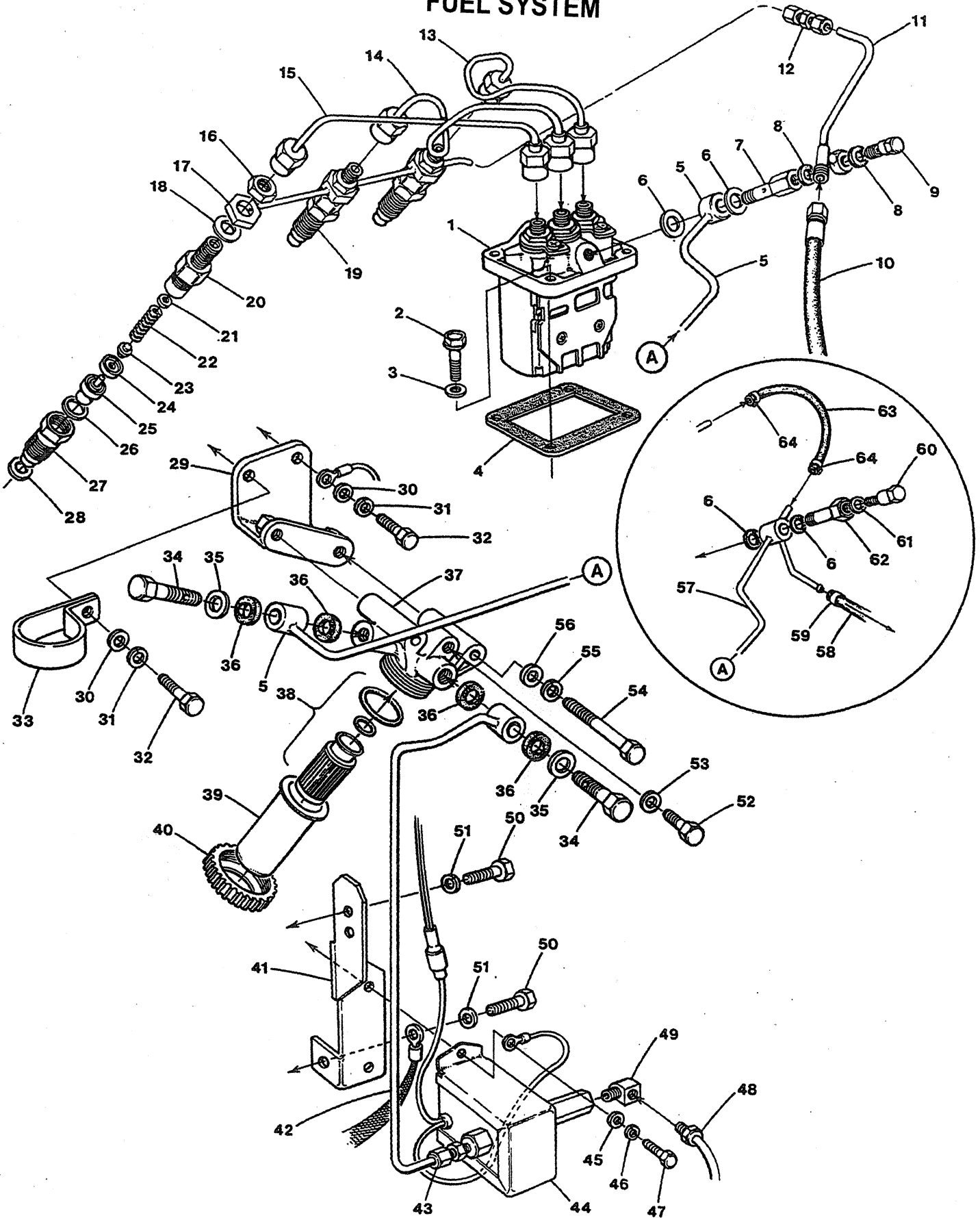
FUEL SYSTEM

Item	Part No.	Quantity	Name/Description
NLA* 1-1	038459	1	PUMP (NLA), FUEL INJECTION 5.0 BCD, 5.0 BCDA
1-2	043555	1	PUMP L.3C FUEL INJECTION 5. 0 BCDB
1-3	037103	1	PUMP, L3E FUEL INJECTION 5.0 BCDB TO SERIAL # 180495
1-4	056149	1	PUMP, L3E FUEL INJECTION 5.0 BCDB, 5.5 BCD FROM SERIAL # 180496
2	018804	4	CAPSCREW, M 6 X 20 DIN 933
3	031783	4	LOCKWASHER, M 6 DIN 127
4-1	036964	As Req.	SHIM, ADJUSTING 0.2 MM
4-2	036965	As Req.	SHIM, ADJUSTING 0.3 MM
4-3	037009	As Req.	SHIM, ADJUSTING 0.4 MM
4-4	036966	As Req.	SHIM, ADJUSTING 0.5 MM
4-5	037010	As Req.	SHIM, ADJUSTING 0.6 MM
4-6	037011	As Req.	SHIM, ADJUSTING 0.7 MM
4-7	037012	As Req.	SHIM, ADJUSTING 0.8 MM
4-8	037013	As Req.	SHIM, ADJUSTING 0.9 MM
4-9	037014	As Req.	SHIM, ADJUSTING 1.0 MM
5	038401	1	LINE, FILTER TO INJECTION PUMP
6	037105	2	WASHER, BANJO
7	038399	1	BOLT, BANJO
8	030209	2	WASHER, BANJO M 8
9	016988	1	BOLT, BANJO M 8
10	034857	1	HOSE, FUEL RETURN
11	038429	1	LINE, INJECTION RETURN TO PUMP
12-1	024600	1	UNION, COMPRESSION INCLUDING NUTS & FERRULES
12-2	013344	2	NUT, COMPRESSION
12-3	013343	1	FERRULE, COMPRESSION
13-1	036951	1	LINE, INJECTOR 1
13-2	056142	1	LINE, INJECTOR 1 FROM SERIAL # 180496
14-1	036952	1	LINE, INJECTOR 2
14-2	056143	1	LINE, INJECTOR 2 FROM SERIAL # 180496
15-1	036953	1	LINE, INJECTOR 3
15-2	056144	1	LINE, INJECTOR 3 FROM SERIAL # 180496
16	036921	3	NUT, INJECTOR
17	037099	1	LINE, INJECTOR RETURN
18	036922	3	GASKET, INJECTOR RETURN
19-1	037091	1	INJECTOR, INCLUDING REF 20 THRU 27
19-2	056150	3	INJECTOR, INCLUDING REF 20 THRU 27 FROM SERIAL # 180496
20-1	037112	1	HOLDER, INJECTOR
20-2	056152	1	HOLDER, INJECTOR FROM SERIAL # 180496
21-1	036925	As Req.	SHIM, INJECTOR 1.25
21-2	036926	As Req.	SHIM, INJECTOR 1.30
21-3	036927	As Req.	SHIM, INJECTOR 1.35
21-4	036928	As Req.	SHIM, INJECTOR 1.40
21-5	036929	As Req.	SHIM, INJECTOR 1.45
21-6	036930	As Req.	SHIM, INJECTOR 1.50
21-7	036931	As Req.	SHIM, INJECTOR 1.55
21-8	036932	As Req.	SHIM, INJECTOR 1.60
21-9	036933	As Req.	SHIM, INJECTOR 1.65
21-10	036934	As Req.	SHIM, INJECTOR 1.70
22-1	037106	1	SPRING, INJECTOR
22-2	056153	1	SPRING, INJECTOR FROM SERIAL # 180496
23	037107	1	PIN, INJECTOR SPRING
24	037108	1	SPACER, INJECTOR

*No longer available

CONTINUED

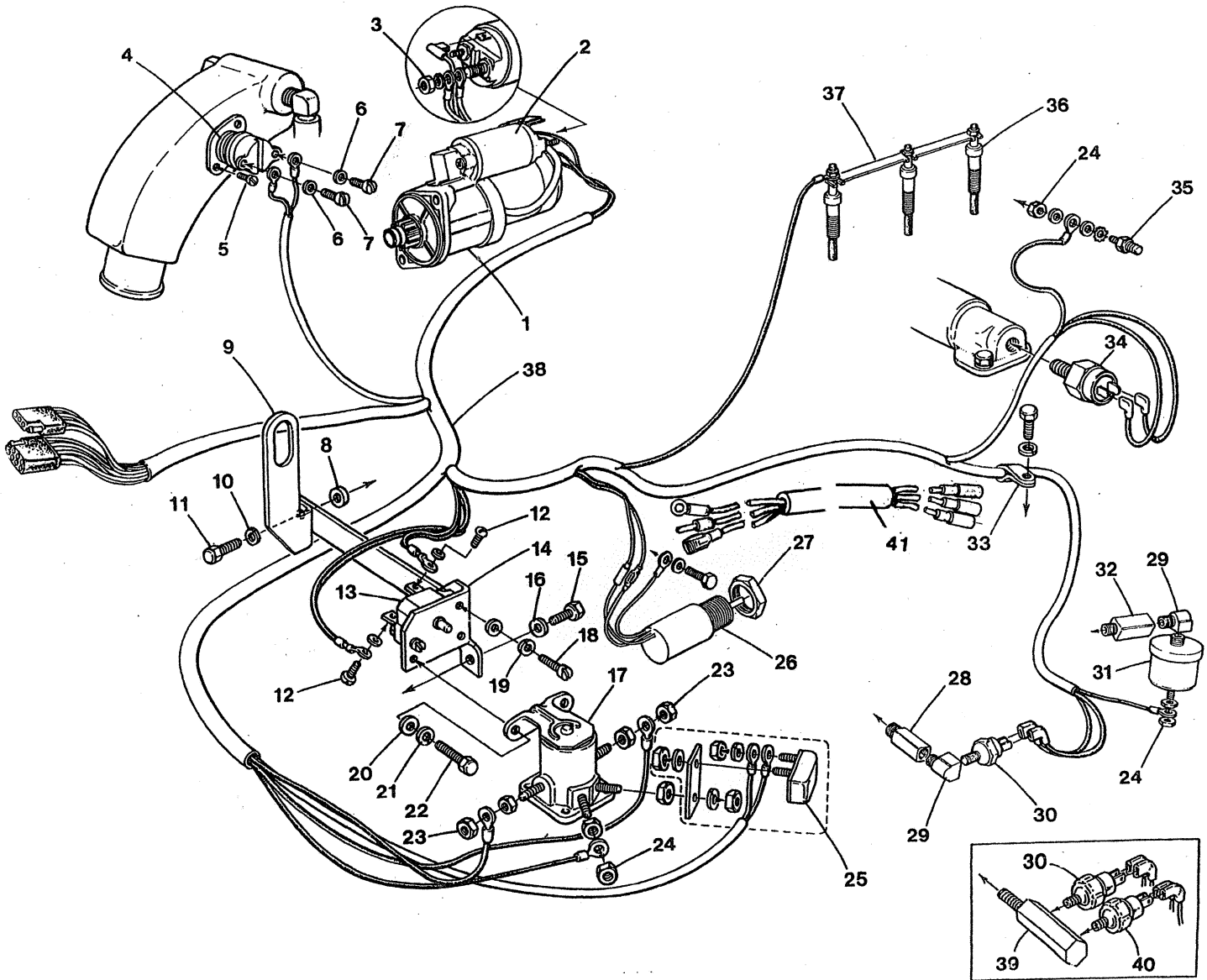
FUEL SYSTEM



FUEL SYSTEM

Item	Part No.	Quantity	Name/Description
25-1	036935	1	NOZZLE, INJECTOR
25-2	056151	1	NOZZLE, INJECTOR FROM SERIAL # 180496
26	037113	1	GASKET, INJECTOR NOZZLE 5.0 BCD TO S/N 12009
27-1	037109	1	NUT, INJECTOR NOZZLE
27-2	056159	1	NUT, INJECTOR NOZZLE FROM SERIAL # 180496
28	036923	3	GASKET, INJECTOR
29	038084		BRACKET, FUEL FILTER
30	031787	2	WASHER, M 8 DIN 125
31	031786	2	LOCKWASHER, M 8 DIN 127
32	017196	2	CAPSCREW, M 8 X 20 DIN 933
33	013741	1	CLAMP, SUPPORT HOSE
34	024984	2	BOLT, BANJO
35	024972	2	WASHER, ALUMINUM
36	030291	4	WASHER, BANJO
37-1	030210	1	FILTER, FUEL ASSEMBLY INCL REF 37 THRU 40
37-2	030211	1	BODY, FUEL FILTER
38	030200	1	ELEMENT, FUEL FILTER INCLUDING O-RINGS
39	030199	1	CUP, FUEL FILTER
40	030212	1	RETAINER, FUEL FILTER CUP
41	038085	1	BRACKET, LIFT PUMP
42	038118	1	LINE, LIFT PUMP TO FILTER
43-1	019449	1	CONNECTOR, 1/8 NPT TO 1/4 COMPRESSION
43-2	016676	1	NUT, COMPRESSION
43-3	011597	1	FERRULE, COMPRESSION
44	039275	1	PUMP, FUEL LIFT 12 VDC
45	031753	2	WASHER, FLAT 1/4
46	031752	2	LOCKWASHER, 1/4
47	031501	2	CAPSCREW, 1/4NC X 1/2
48	030025	1	HOSE, FUEL SUPPLY
49	013340	1	ELBOW, 1/8 NPT STREET
50	034589	2	CAPSCREW, M10 X 30 DIN 933
51	019262	2	LOCKWASHER, M10 DIN 127
52	030213	1	SCREW, BLEED
53	030289	1	WASHER
54	031560	2	CAPSCREW, 5/16NC X 2-1/4
55	031758	2	LOCKWASHER, 5/16
57	038122	1	LINE, PRIOR TO OCT 1989 REPL WITH REF 5-12
58	037187	1	LINE, FUEL RETURN TO OCT 1989
59	024906	1	CLAMP, HOSE
60	037110	1	BOLT, BLEED
61	037104	1	WASHER, BANJO
62	037111	1	BOLT, BANJO
63	036868	1	HOSE, INJECTOR RETURN TO PUMP
64	037163	2	CLAMP, KEYSTONE

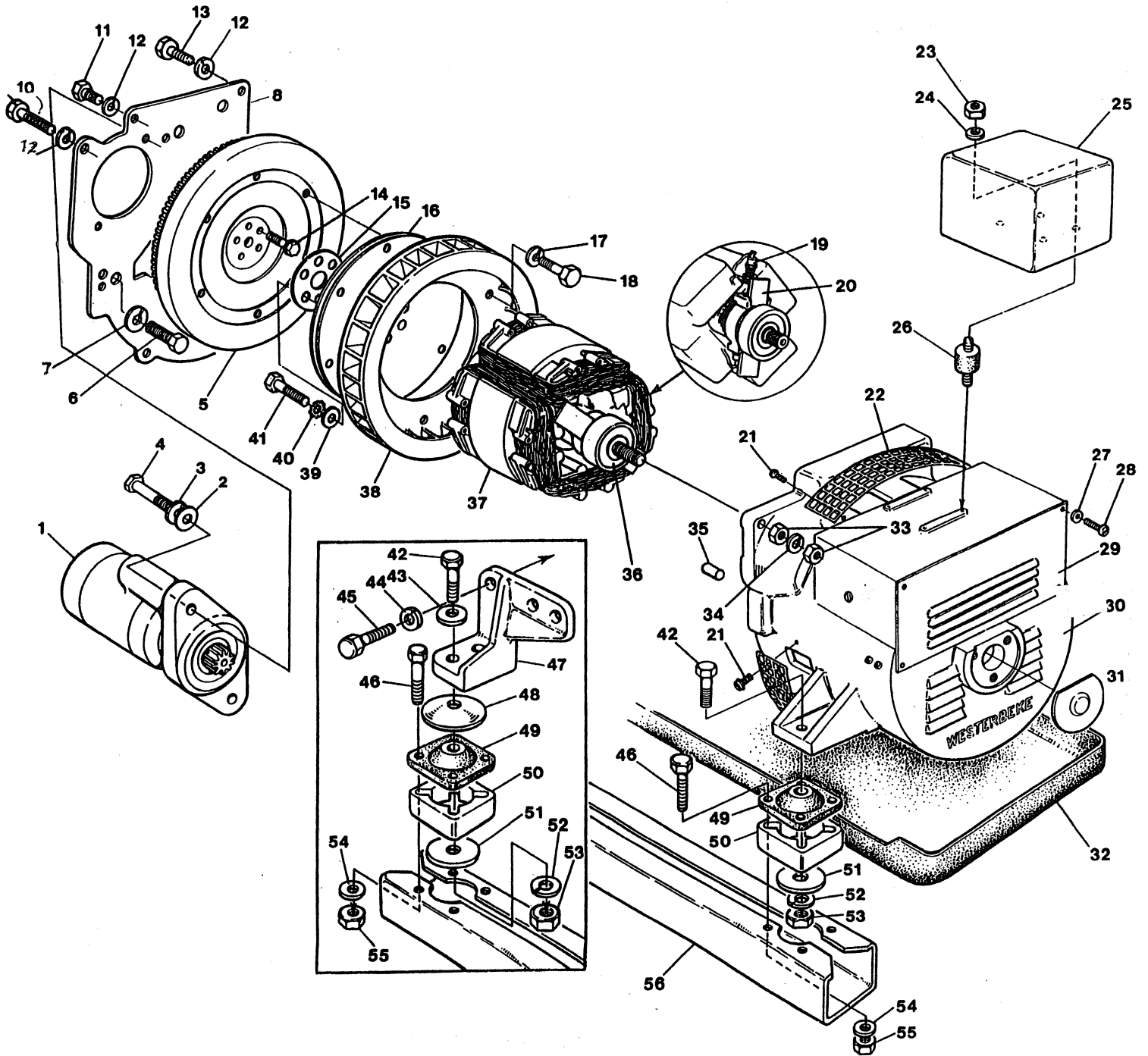
ELECTRICAL SYSTEM



ELECTRICAL SYSTEM

Item	Part No.	Quantity	Name/Description
1	034552	1	MOTOR, STARTER 12VDC
2	036218	1	SOLENOID, STARTER MOTOR
3	018242	1	NUT, M 8 DIN 934
4	032923	1	SWITCH, EXHAUST TEMPERATURE
5	035711	2	SCREW, 6-20 X 1/4 TAPPING
6	031844	2	LOCKWASHER, 8
7	031911	2	SCREW, 8-32 X 1/4
8	033381	1	SPACER
9	038087	1	EYE, LIFTING
10	031786	1	LOCKWASHER, M 8 DIN 127
11	013630	1	CAPSCREW, M 8 X 25 DIN 933
12	031861	2	SCREW, 8-32 X 1/4
13	043422	1	BREAKER, CIRCUIT 25 AMP
14	038086	1	BRACKET, CIRCUIT BREAKER, SOLENOID
15	034589	1	CAPSCREW, M 10 X 30 DIN 933
16	019262	1	LOCKWASHER, M 10 DIN 127
17	024639	1	SOLENOID, PRE-HEAT
18	031866	2	SCREW, 8-32 X 7/8
19	031844	1	LOCKWASHER, 8
20	031753	1	WASHER, FLAT 1/4
21	031752	1	LOCKWASHER, 1/4
22	031501	1	CAPSCREW, 1/4 NC X 1/2
23	031760	1	NUT, 5/16 NF
24	031847	As Req.	NUT, 10-32
25	036563	1	BREAKER, CIRCUIT ASSEMBLY 10 AMP
26	037100	1	SOLENOID, FUEL SHUT-OFF
27	034669	1	NUT, SOLENOID ADJUSTING/LOCKING
28	037508	1	ADAPTER, 1/8 BSPT TO 1/8 NPT
29	013340	2	ELBOW, 1/8 NPT STREET 90
30	037323	1	SWITCH, OIL PRESSURE
31	024132	1	SENDER, OIL PRESSURE
32	024844	1	ADAPTER, 1/8 BSPT TO 1/8 NPT
33	038074	2	CLAMP, HARNESS
34	039550	1	SWITCH, WATER TEMPERATURE
35	035109	1	SENDERWATER TEMPERATURE
36	036961	3	GLOWPLUG
37	037028	1	STRAP, GLOWPLUG CONNECTING
38	038123	1	HARNESS, GENSET WIRING
39	043812	1	ADAPTER, 2 OIL PRESSURE SWITCHES
40	011552	1	SWITCH, OIL PRESSURE - SEA RAY
41-1	046739	1	MODULE, CURRENT TIMING 9-36 VDC
41-2	046741	1	MODULE, CURRENT TIMING 9-36 VDC UNGROUNDED

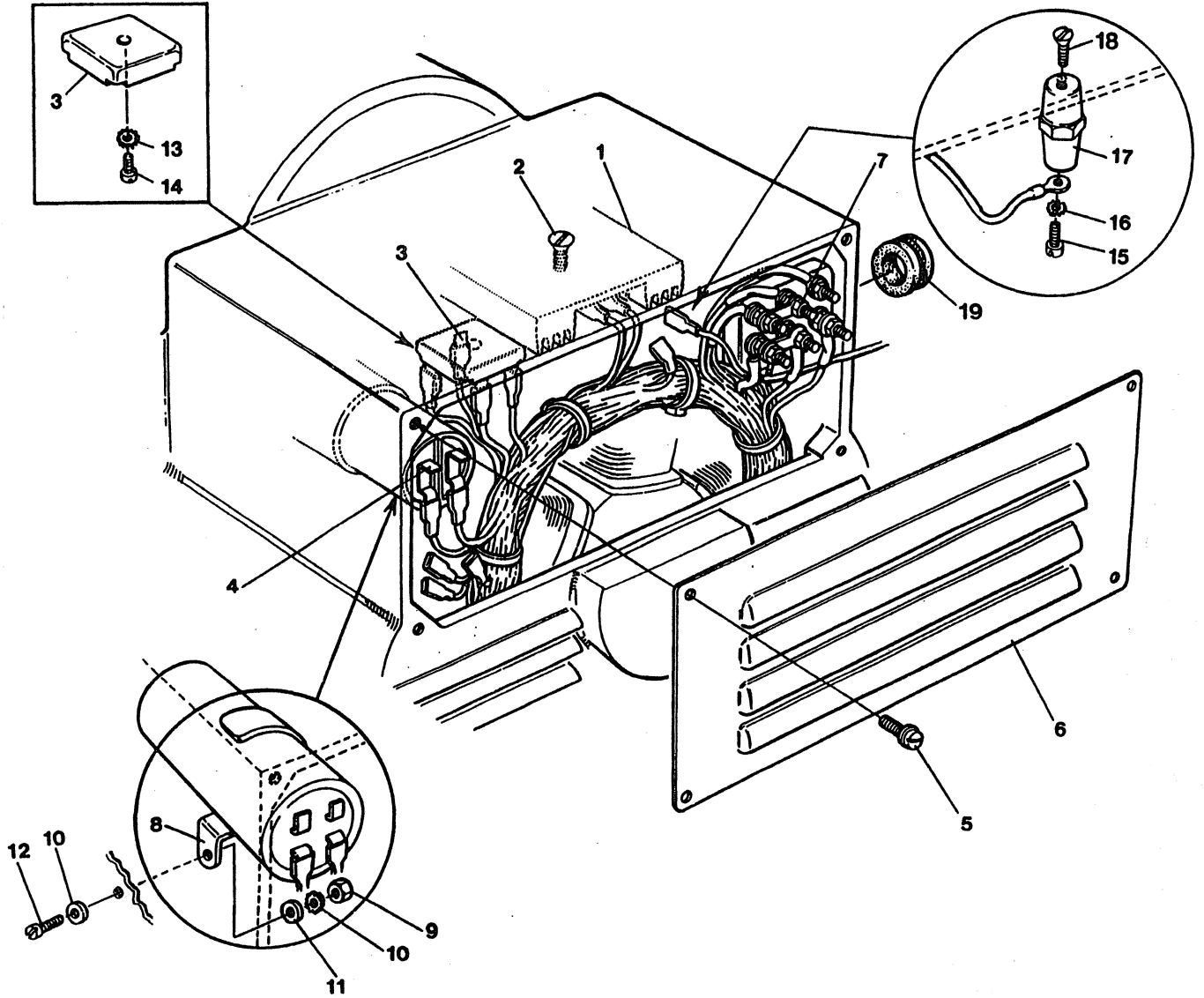
BACK END - GENERATOR



BACK END - GENERATOR

Item	Part No.	Quantity	Name/Description
1	034552	1	MOTOR, STARTER 12 VDC
2	031789	2	WASHER, M10 DIN 125
3	019262	2	LOCKWASHER, M 10 DIN 127
4	034589	2	CAPSCREW, M 10 X 30 DIN 933
5-1	038202	1	FLYWHEEL, BALANCED WITH RING GEAR
5-2	032996	1	GEAR, RING
6	024952	6	CAPSCREW, M 10 X 1.25 X 25 DIN 961
7	019262	6	LOCKWASHER M 10 DIN 127
8	036050	1	PLATE, BACK
9	019262	1	LOCKWASHER, M 10 DIN 127
10	034833	1	CAPSCREW, M 10 X 60 DIN 912
11	013629	2	CAPSCREW, M 10 X 25 DIN 933
12	019262	5	LOCKWASHER, M 10 DIN 127
13	034589	3	CAPSCREW, M 10 X 30 DIN 933
14	036924	4	BOLT, FLYWHEEL
15	035928	1	PLATE, DRIVE DISC TO ARMATURE
16	035927	2	DISC, DRIVE
17	031786	8	LOCKWASHER, M 8 DIN 127
18	017196	8	CAPSCREW, M 8 X 20 DIN 933
19	—	2	DIODE, SEE REF 20
20	035971	1	BRIDGE, DIODE SET
21	031933	1	SCREW, M 5 X 10 DIN 85A
22	035974	2	GUARD, AIR
23	015812	1	NUT, M 6 DIN 934
24	031783	4	LOCKWASHER, M 6 DIN 127
25	—	1	PANEL, CONTROL-REFER TO CONTROL PANEL PAGE
26	038236	4	ISOLATOR, PANEL MOUNTING
27	031914	4	LOCKWASHER, M 5 DIN 6797A
28	031918	4	SCREW, M 5 X 10 DIN 84A
29-1	035984	1	COVER, 5.0 BCD
29-2	035975	1	COVER, 5.0 BCDA, 5.0 BCDB
30-1	037429	1	GENERATOR, ASSEMBLY 5.0 BCD TO 31023 <i>NLA</i>
30-2	043092	1	GENERATOR, ASSEMBLY 5.0 BCD FROM 31024
30-3	037438	1	GENERATOR, ASSEMBLY 5.0 BCDA, 5.0 BCDB TO 31018 <i>NLA</i>
30-4	043095	1	GENERATOR, ASSEMBLY 5.0 BCDA/B 5.5 BCD FROM 31019
30-5	035983	1	HOUSING, INCL STATOR 5.0 BCD TO 20245 <i>NLA</i>
30-6	041218	1	HOUSING, INCL STATOR 5.0 BCD e0246 TO 31023
30-7	043101	1	HOUSING, INCL STATOR 5.0 BCD FROM 31024
30-8	035973	1	HOUSING, INCL STATOR 5.0 BCDA, 5.0 BCDB TO 31018
30-9	043102	1	HOUSING, INCL STATOR 5.0 BCDA /B, 5.5 BCD FROM 31019
30-10	037721	1	STATOR, 5.0 BCD TO 20245 <i>NLA</i>
30-11	041216	1	STATOR, 5.0 BCD FROM 20246 TO 31023
30-12	043098	1	STATOR, 5.0 BCD FROM 31024
30-13	037722	1	STATOR, 5.0 BCDA, 5.0 BCDB TO 31018
30-14	043099	1	STATOR, 5.0 BCDA/B, 5.5 BCD 31019
31	034182	1	COVER, PTO
32	038088	1	DRIPTRAY
33	015887	2	NUT, M10 DIN 934
34	019262	1	LOCKWASHER, M 10 DIN 127
35	019039	2	DOWEL, HOUSING TO BACKPLATE
36	035972	1	BEARING, BALL
37-1	035982	1	ARMATURE, ASSEMBLY 5.0 BCD
37-2	035970	1	ARMATURE, ASSEMBLY 5.0 BCDA, 5.0 BCDB
38	035969	1	FAN

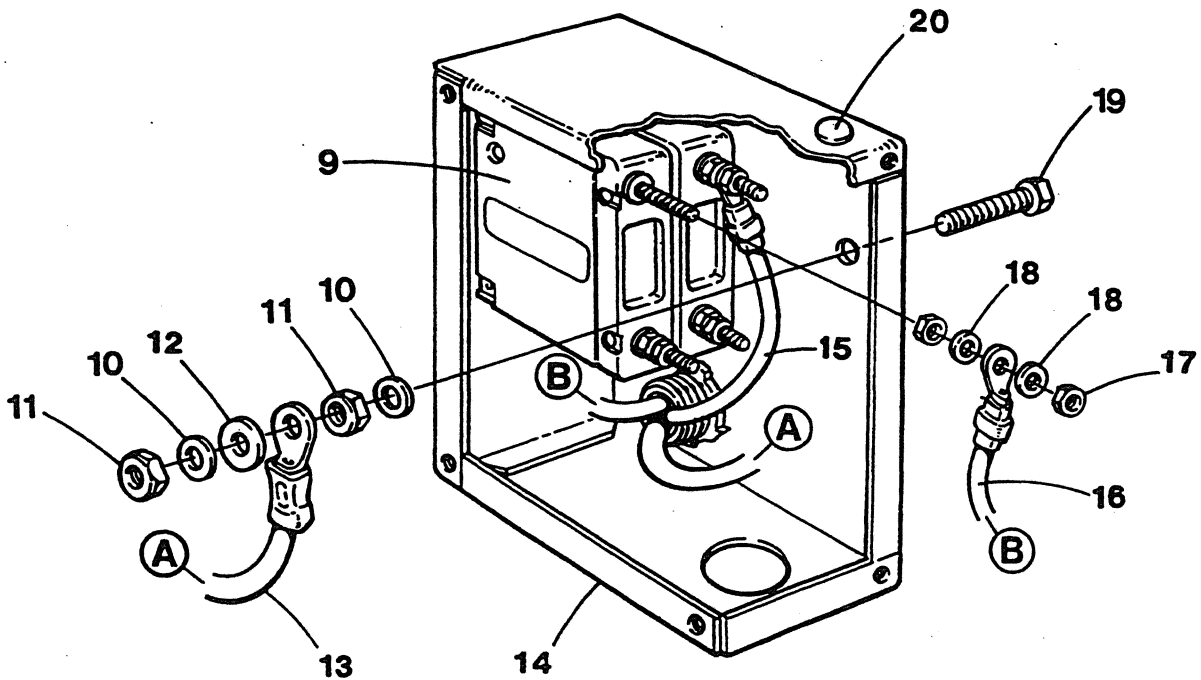
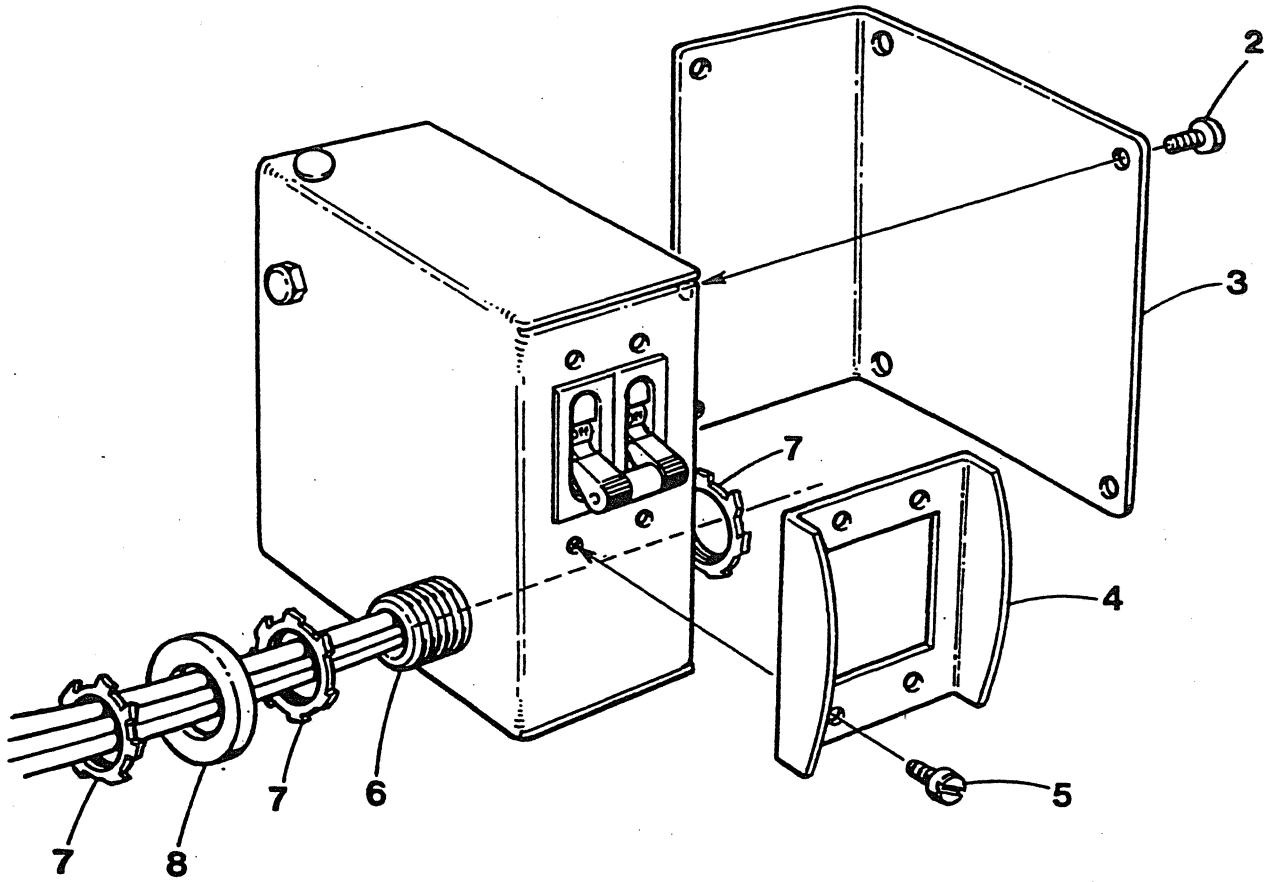
AC OUTPUT



AC OUTPUT

Item	Part No.	Quantity	Name/Description
1-1	035981	1	CHARGER, BATTERY 5.0 BCD TO 31023
1-2	043096	1	CHARGER, BATTERY 5.0 BCD FROM 31024
1-3	035981	1	CHARGER, BATTERY 5.0 BCDA,5.0 BCDB TO 31018
1-4	043096	1	CHARGER, BATTERY 5.0 BCD A/B, 5.5 BCD FROM 31019
2	031930	2	SCREW, M 5 X 10 DIN 963A
3	043649	1	RECTIFIER, BRIDGE
4-1	035978	1	CAPACITOR, 5.0 BCD (31.5 MFD)
4-2	041199	1	CAPACITOR, 5.0 BCD (35 MFD) S/N 20246C-20308C <i>ONLY</i>
4-3	035978	2	CAPACITOR, 5.0 BCDA, 5.0 BCDB (31.5 MFD) TO 15506
4-4	039556	2	CAPACITOR, 5.0 BCDA/B 5.5 BCD (18 MFD) FROM 15507
5	031918	4	SCREW, M 5 X 10 DIN 84A
6-1	035984	1	COVER, 5.0 BCD
6-2	035975	1	COVER, 5.0 BCDA, 5.0 BCDB, 5.5 BCD
7-1	035940	1	BLOCK, TERMINAL AC OUTPUT M 5 STUDS
7-2	038348	<i>As Req.</i>	NUT, M 5 BRASS
7-3	038349	<i>As Req.</i>	BAR, BUSS
7-4	040138	<i>As Req.</i>	WASHER, M 5 BRASS
8-1	035979	1	CLAMP, CAPACITOR 5.0 BCD
8-2	035979	2	CLAMP, CAPACITOR 5.0 BCDA, 5.0 BCDB
9-1	018241	1	NUT, M 5 DIN 934 5.0 BCD
9-2	018241	2	NUT, M 5 DIN 934 5.0 BCDA, 5.0 BCDB
10-1	031914	2	LOCKWASHER, M 5 DIN 6797A 5.0 BCD
10-2	031914	4	LOCKWASHER, M 5 DIN 6797A 5.0 BCDA, 5.0 BCDB
11-1	031781	1	WASHER, M 5 DIN 125 5.0 BCD
11-2	031781	1	WASHER, M 5 DIN 127 5.0 BCDA, 5.0 BCDB
12-1	031920	2	SCREW, M 5 X 20 DIN 84A 5.0 BCD
12-2	031920	2	SCREW M 5 X 20, DIN 84A 5.0 BCDA, 5.0 BCDB
13	031914	1	LOCKWASHER, M 5 DIN 6797A
14	031931	1	SCREW, M 5 X 16 DIN 84A
15	031932	1	CAPSCREW, M 5 X 10 DIN 933 BRASS
16	031914	1	LOCKWASHER, M 5 DIN 6797A
17	035980	1	TERMINAL, CHARGER OUTPUT-ISOLATED
18	031930	1	SCREW, M 5 X 10 DIN 963A
19	035944	1	GROMMET, WIRES THRU HOUSING
20	035455	1	LABEL, AC OUTPUT CONNECTIONS

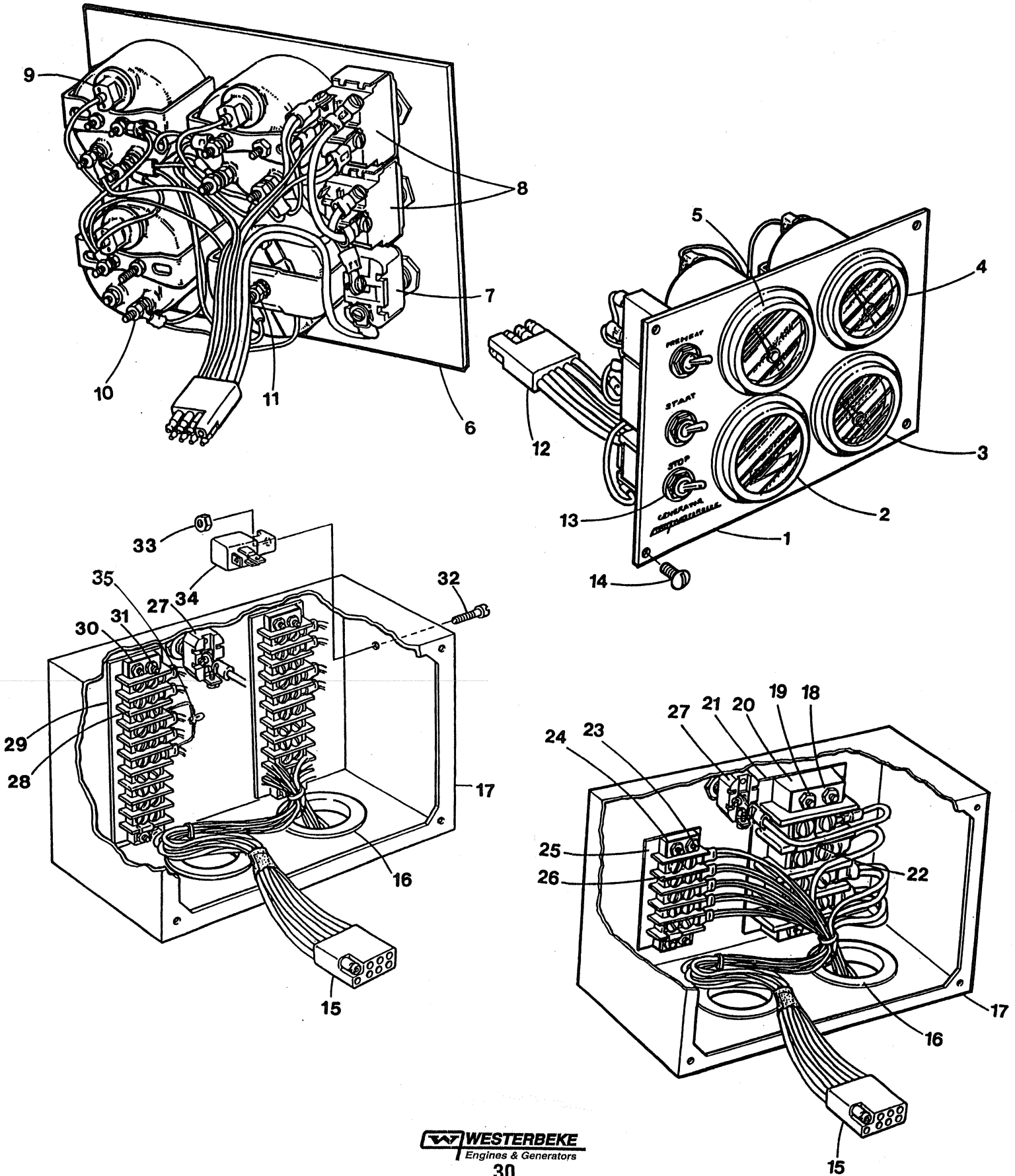
AC OUTPUT CIRCUIT BREAKER



AC OUTPUT CIRCUIT BREAKER

Item	Part No.	Quantity	Name/Description
2	031891	6	SCREW, 8-32 X 3/8 TRUSS HEAD SS
3	038126	1	COVER, BOX
4	039082	1	GUARD, CIRCUIT BREAKER HANDLE
5	031852	4	SCREW, 6-32 X 1/4 BINDING HEAD SS
6	042330	1	NIPPLE, 1"
7	042329	3	NUT, 1"
8	038523	1	SPACER
9-1	042705	1	BREAKER, CIRCUIT 25 AMP 60 HZ 2 POLE
9-2	042704	1	BREAKER, CIRCUIT 20 AMP 50HZ 2 POLE
10	032493	2	LOCKWASHER, 1/4 INTERNAL TOOTH BRONZE
11	032498	2	NUT, 1/4NC HEX BRASS
12	032499	2	WASHER, FLAT 1/4 BRASS
13	038645	1	WIRE, WHITE 60HZ
14	038125	1	BOX, CIRCUIT BREAKER
15	038640	1	WIRE, BLACK 60/50HZ
16-1	038640	1	WIRE, BLACK 60HZ
16-2	042333	1	WIRE, WHITE 50HZ
17	031847	4	NUT, 10-32 HEX SS
18	031848	8	WASHER, FLAT 10 SS
19	038622	1	CAPSCREW, 1/4NC X 1 BRONZE FULLY THREADED
20	038621	1	PLUG, NYLON
21	042719	1	DIAGRAM, AC OUTPUT & CIRCUIT BREAKER WIRING

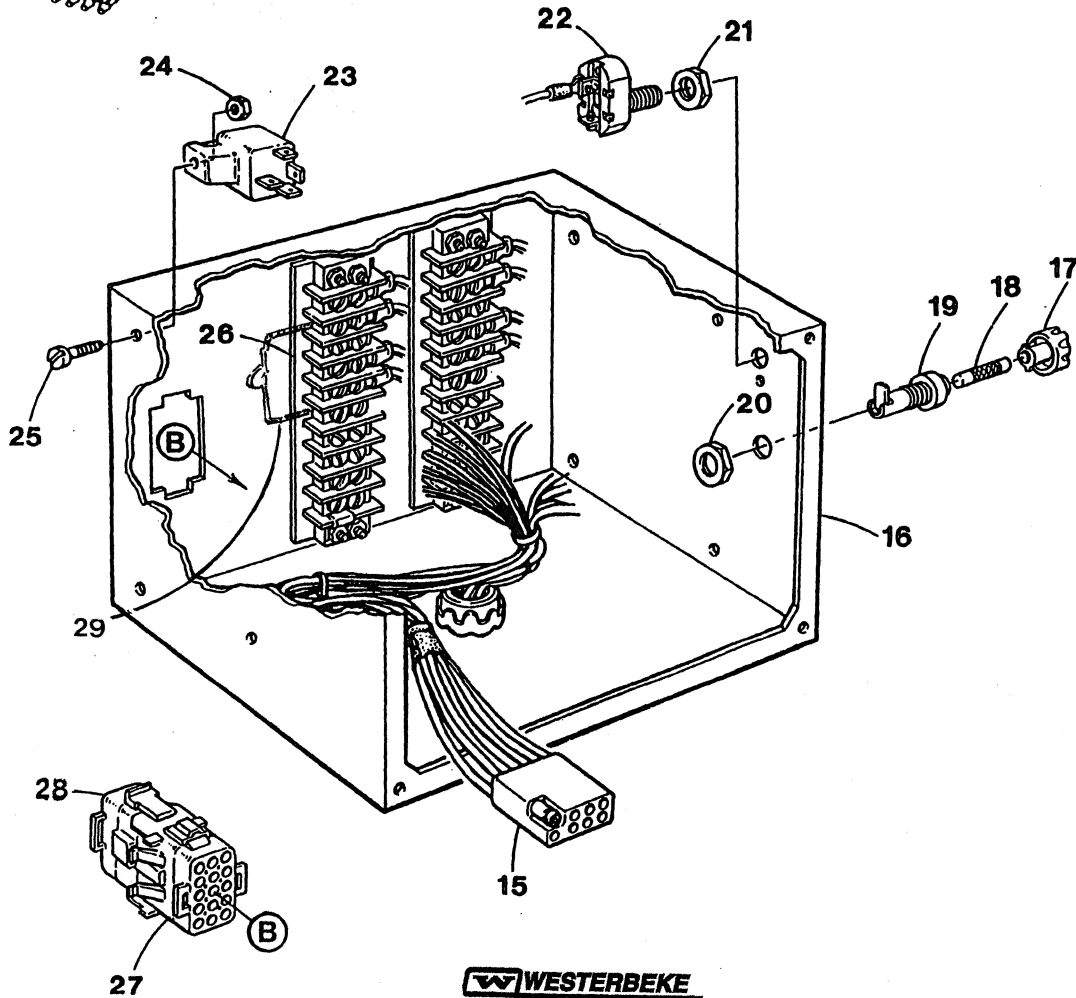
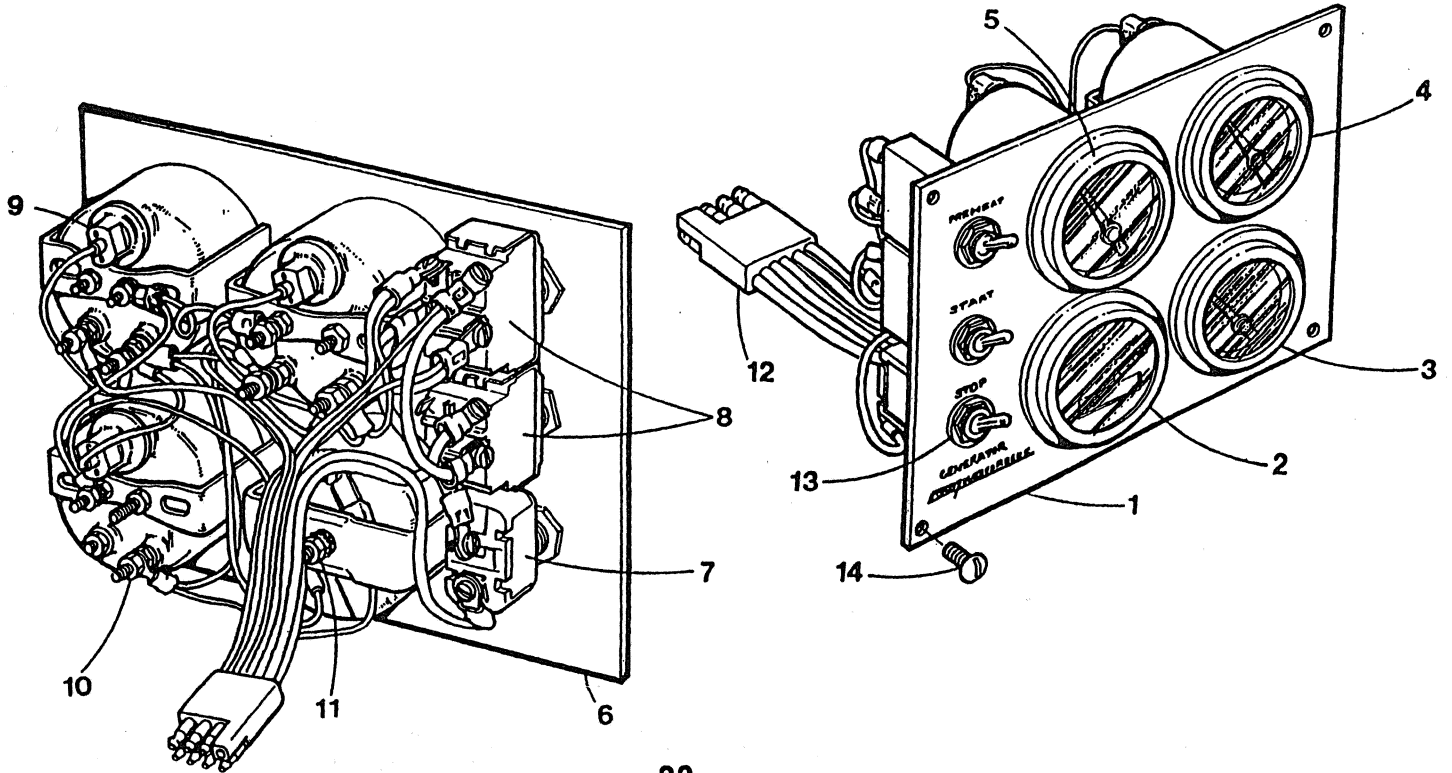
CONTROL PANEL



CONTROL PANEL

Item	Part No.	Quantity	Name/Description
1	036539	1	PANEL, GENERATOR CONTROL REF 2 THRU 13
2	036192	1	HOUR METER
3	037605	1	VOLTMETER, 12 VDC
4	037603	1	METER, OIL PRESSURE 0-100 PSI
5	037601	1	METER, WATER TEMPERATURE
6-1	034485	1	PLATE, PANEL
6-2	034999	1	COVER, BOX, WHEN PANEL REMOTE MOUNTED
7	024731	1	SWITCH, STOP
8	024732	2	SWITCH, PREHEAT-START
9-1	042893	3	LAMP, INSTRUMENT WEDGE BASE INCL HOLDER
9-2	035825	3	WIRE, LAMP POWER CONNECTION
10-1	031900	<i>As Req.</i>	NUT, 10-32
10-2	031902	<i>As Req.</i>	LOCKWASHER, 10
11	031904	1	NUT, 10-24 KEPS
12	036538	1	HARNESS, PANEL
13	031999	3	RING, LOCK-TOGGLE SWITCH MOUNT
14	034421	4	SCREW, 8-32 X 3/8 TRUSS HEAD BLACK SS
15-1	038123	1	HARNESS, ENGINE
15-2	036232	1	HARNESS, PANEL BOX
16	023939	2	BUSHING, SNAP-IN 1-3/4 IN HOLE
17-1	038178	1	ASSEMBLY, BOX AND HARNESS
17-2	034243	1	BOX, GENERATOR CONTROL PANEL
18	013856	2	PLATE, SCREW-TERMINAL BLOCK
19-1	031866	4	SCREW, 8-32 X 7/8 BINDING HEAD SS
19-2	031842	4	NUT, 8-32 HEX SS
19-3	031843	4	WASHER, FLAT 8
19-4	031844	4	LOCKWASHER, 8
20	013320	1	BLOCK, TERMINAL 4 POS TO SEPT 93
21	013363	1	MARKER, TERMINAL BLOCK
22	013938	1	JUMPER, TERMINAL BLOCK
23-1	031855	4	SCREW, 6-32 X 5/8 BINDING HEAD SS
23-2	050234	4	NUT, 6-32 KEPS
23-3	031838	4	WASHER, FLAT 6
24	015222	2	PLATE, SCREW-TERMINAL BLOCK
24-4	038042	1	NUT, SWITCH
25	019122	1	MARKER, TERMINAL BLOCK
26	019121	1	BLOCK, TERMINAL 5 POS TO SEPT 93
27-1	033259	1	SWITCH, EMERGENCY STOP
27-2	033258	1	BOOT, EMERGENCY STOP SWITCH
27-3	033251	1	LABEL, EMERGENCY STOP SWITCH
28	039928	2	BLOCK, TERMINAL 10 POS FROM SEPT 93
29	039929	2	MARKER, TERMINAL BLOCK
30	015222	4	PLATE, SCREW-TERMINAL BLOCK
31-1	031855	7	SCREW, 6-32 X 5/8 BINDING HEAD SS
31-2	031857	1	SCREW, 6-32 X 7/8 BINDING HEAD SS
31-3	050234	8	NUT, 6-32 KEPS
31-4	015223	<i>As Req.</i>	JUMPER, TERMINAL BLOCK
32-1	031072	1	SCREW, 10-32 X 1/2 BINDING HEAD SS - 1 RELAY
32-2	031872	2	SCREW, 10-32 X 1/2 BINDING HEAD SS - 2 RELAYS
33-1	037833	1	RELAY, 40 AMP FROM JUNE 97
33-2	037833	2	RELAY, 40 AMP FROM JAN 99
34-1	200125	1	NUT, 10-32 KEPS - 1 RELAY
34-2	200125	2	NUT, 10-32 KEPS - 2 RELAYS
35	041081	1	DIODE, FROM JUNE 97
36	024968	1	LABEL, GENSET OPERATING INSTRUCTIONS

SEA RAY CONTROL PANEL

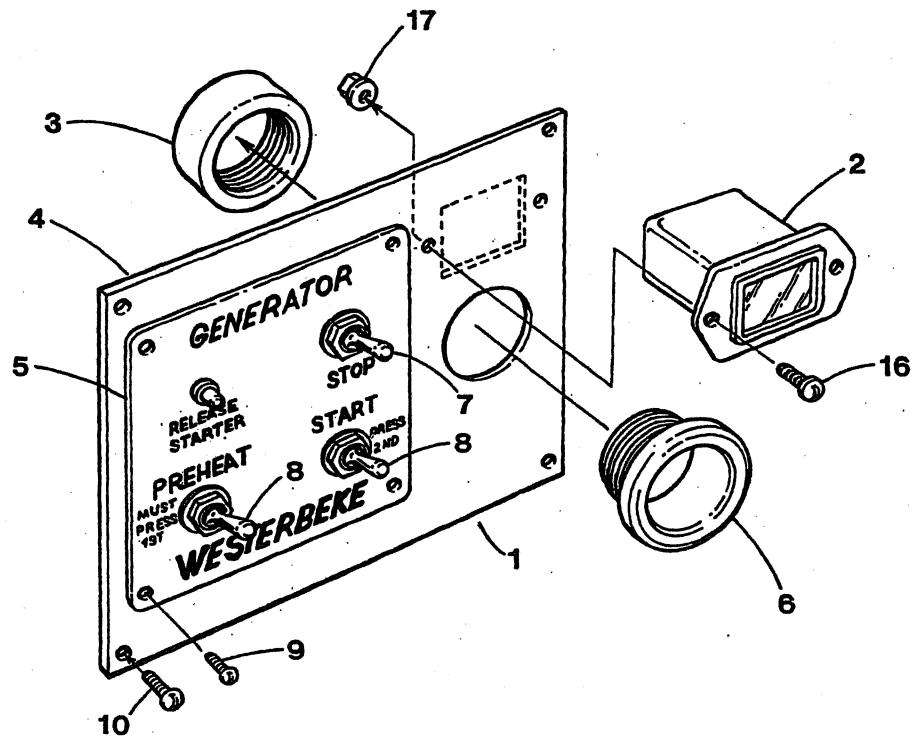


SEA RAY CONTROL PANEL

Item	Part No.	Quantity	Name/Description
1	036539	1	PANEL, GENERATOR CONTROL REF 2 THRU 13
2	036192	1	HOUR, METER
3	037605	1	VOLTMETER, 12 VDC
4	037603	1	METER, OIL PRESSURE 0-100 PSI
5	037601	1	METER, WATER TEMPERATURE
6	034485	1	PLATE, PANEL
7	024731	1	SWITCH, STOP
8	024732	2	SWITCH, PREHEAT-START
9-1	042893	3	LAMP, INSTRUMENT WEDGE BASE INCL HOLDER
9-2	035825	3	WIRE, LAMP POWER CONNECTION
10-1	031900	<i>As Req.</i>	NUT, 10-32
10-2	031902	<i>As Req.</i>	LOCKWASHER, 10
11	031904	1	NUT, 10-24 KEPS
12	036538	1	HARNESS, PANEL
13	031999	3	RING, LOCK-TOGGLE SWITCH MOUNT
14	034421	4	SCREW, 8-32 X 3/8 TRUSS HEAD BLACK SS
15-1	043841	1	HARNESS, ENGINE
15-2	043747	1	HARNESS, PANEL BOX
16-1	043795	1	ASSEMBLY, BOX AND HARNESS
16-2	043840	1	BOX, GENERATOR CONTROL PANEL
16-3	040195	1	COVER, CONTROL PANEL TOP
17	—	1	CAP, FUSE HOLDER SEE REF 19
18	033769	1	FUSE, 8 AMP
19	043747	1	HOLDER, FUSE INCL CAP AND NUT
20	—	1	NUT, SEE REF 19
21-1	038042	1	NUT, SWITCH MOUNT
21-2	031999	1	RING, LOCK-TOGGLE SWITCH MOUNT
22-1	033259	1	SWITCH, EMERGENCY STOP
22-2	033251	1	LABEL, EMERGENCY STOP SWITCH
23	037833	2	RELAY, 40 AMP
24	200125	2	NUT, 10-32 KEPS
25	031872	2	SCREW, 10-32 X 1/2 BINDING HEAD SS
26-1	039928	2	BLOCK, TERMINAL 10 POSITION
26-2	039929	2	MARKER, TERMINAL BLOCK
26-3	015222	4	PLATE, SCREW-TERMINAL BLOCK
26-4	031855	7	SCREW, 6-32 X 5/8 BINDING HEAD SS
26-5	031857	1	SCREW 6-32 X 7/8 BINDING HEAD SS
26-6	050234	8	NUT, 6-32 KEPS
27	043746	1	CONNECTOR, ASSEMBLY FEMALE FOR REMOTE PANEL
28	043818	1	CONNECTOR,
29	041081	1	DIODE, MALE JUMPER-IF REMOTE PNL NOT INSTALLED

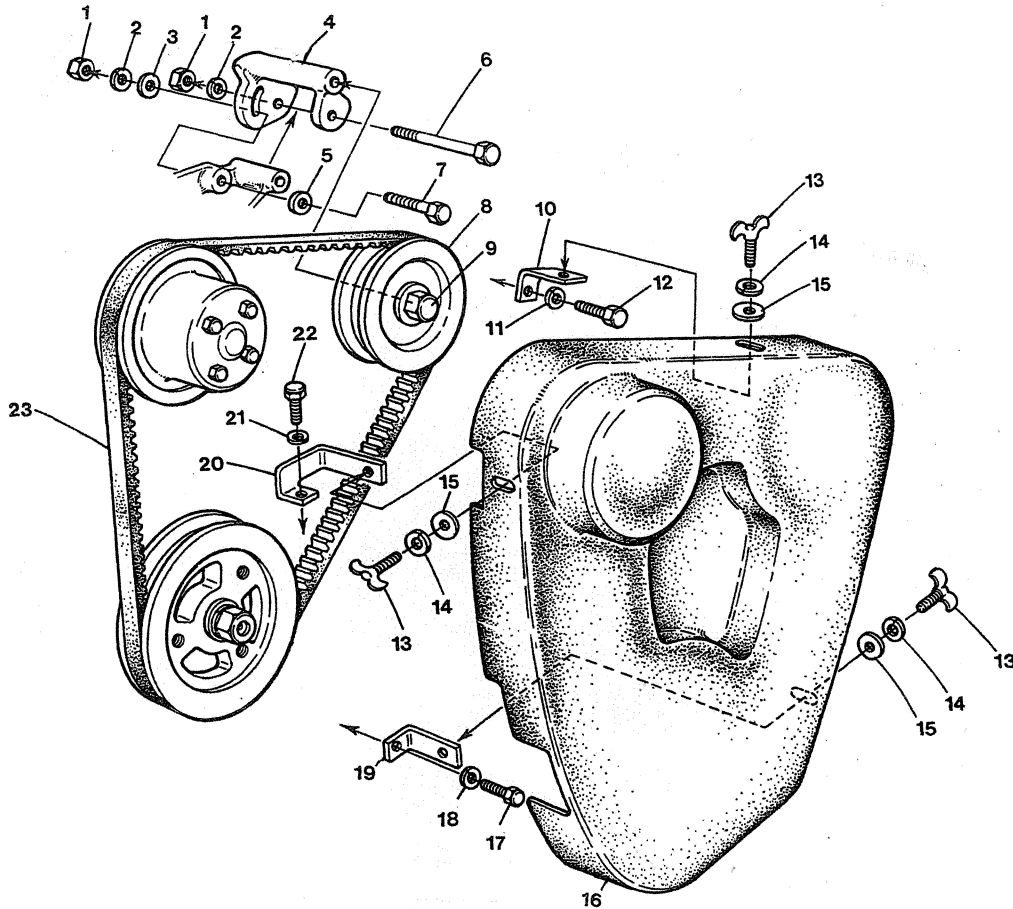
GENERATOR START/STOP PANELS

Item	Part No.	Quantity	Name/Description
1-1	042448	1	PANEL, START-STOP 12 VDC 8 PIN PLUG
1-2	044826	1	PANEL, START-STOP 12 VDC W/HRMETER 8 PIN PLUG
1-3	042620	1	PANEL, START-STOP 24 VDC W/HRMETER 8 PIN PLUG
2	042388	1	HOURMETER, 12/24 VDC
3	011812	1	BUSHING, INSULATED FEMALE 1.25
4-1	043950	1	PLATE, PANEL BOX RED
4-2	043929	1	PLATE, PANEL BOX WHITE
4-3	035303	1	COVER, RED, WITH BUSHING #6
4-4	041519	1	COVER, WHITE, WITH BUSHING #6
5-1	024943	1	PANEL, START-STOP CONTROL 12 VDC NO HARNESS
5-2	044336	1	PANEL, START-STOP CONTROL 12 VDC 15 PIN PLUG
5-3	044586	1	PANEL, START-STOP CONTROL 24 VDC 15 PIN PLUG
6	011811	2	BUSHING, INSULATED MALE - 1:25
7	024731	4	SWITCH, STOP
8	024732	4	SWITCH, PREHEAT & START
9	039004	1	SCREW, 6-32 X 1/3 SS FLAT HEAD BLACK
10	034421	1	SCREW, 8-32 X 3/8 SS TRUSS HEAD BLACK
11	032975	1	LED
12-1	013723	1	RESISTOR, 12 VDC
12-2	042621	1	RESISTOR, 24 VDC
13	013724	1	DIODE
14-1	042447	1	CABLE, 8 PIN FOR PANEL 42448 - 42620 - 44826
14-2	043913	1	CABLE, 15 PIN FOR PANEL 44336 - 44586
15-1	038220	1	DIAGRAM, WIRING 24943 START-STOP PANEL
15-2	044442	2	DIAGRAM, WIRING START-STOP PANELS 8 PIN PLUG
16	031853	1	SCREW, 6-32 X 3/8 SS BINDING HEAD
17	050234	1	NUT, 6-32 KEPS

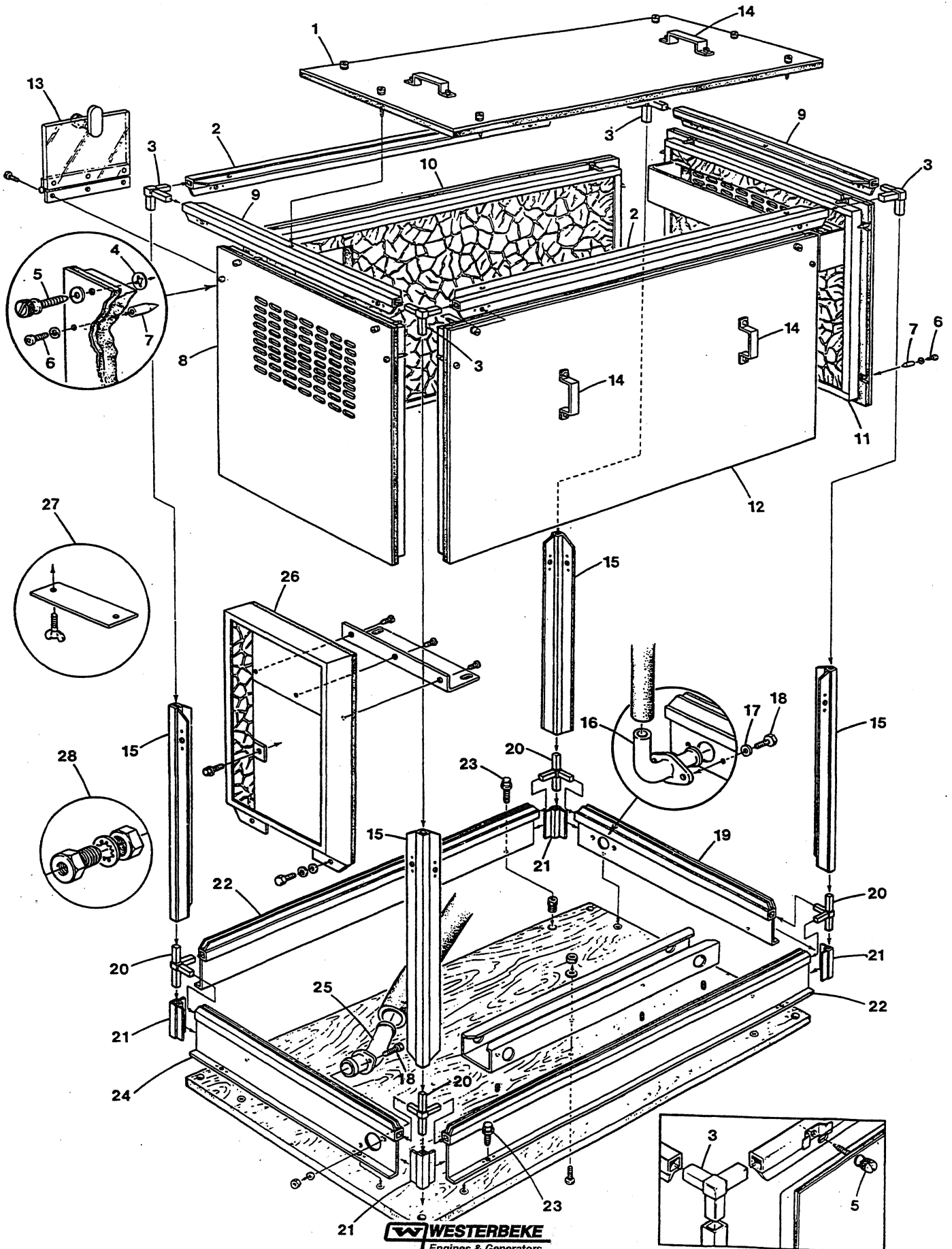


BELT - IDLER PULLEY - BELT GUARD

Item	Part No.	Quantity	Name/Description
1	018242	2	NUT, M 8 DIN 934
2	031786	2	LOCKWASHER, M 8 DIN 127
3	031765	1	WASHER
4	038070	1	BRACKET, IDLER PULLEY
5	031786	1	LOCKWASHER, M 8 DIN 127
6	031225	1	CAPSCREW, M 8 X 60 DIN 931
7	021558	1	CAPSCREW, M 8 X 35 DIN 933
8	037780	1	PULLEY, IDLER
9	037779	1	SCREW, IDLER PULLEY
10	038128	1	BRACKET, BELT GUARD
11	031783	1	LOCKWASHER, M 6 DIN 127
12	033351	1	CAPSCREW, M 6 X 60 DIN 931
13	033228	3	WINGSCREW, BELT GUARD
14	031849	3	LOCKWASHER, 10
15	033372	3	WASHER, BELT GUARD
16	038073	1	GUARD, BELT
17	034213	1	CAPSCREW, M 6 X 40 DIN 931
18	031783	1	LOCKWASHER, M 6 DIN 127
19	038130	1	BRACKET, BELT GUARD
20	038129	1	BRACKET, BELT GUARD
21	031783	1	LOCKWASHER, M 6 DIN 127
22	018804	1	CAPSCREW, M 6 X 20 DIN 933
23	030376	1	BELT



SOUND GUARD #038182



WESTERBEKE
Engines & Generators

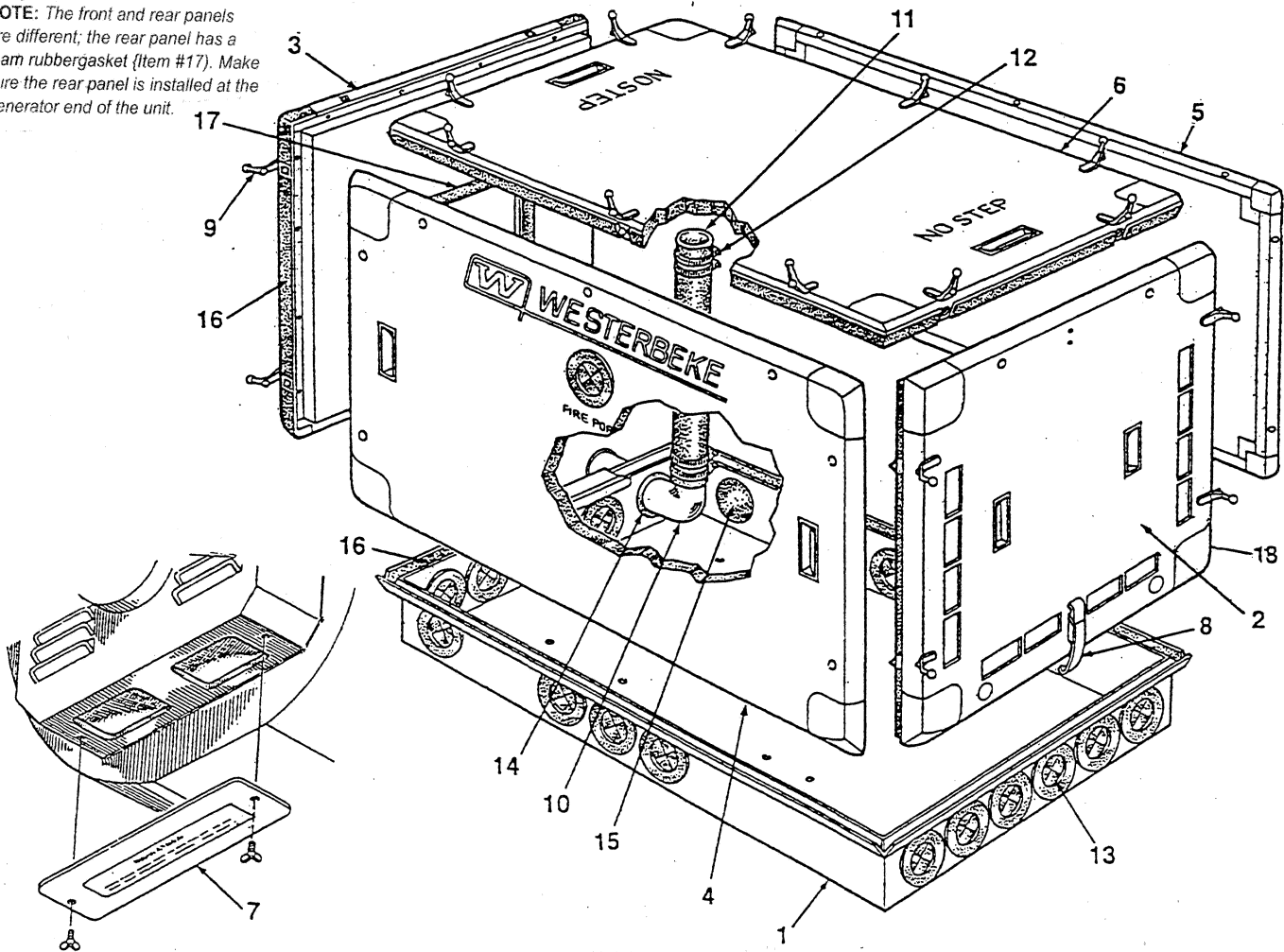
SOUND GUARD #038182

Item	Part No.	Quantity	Name/Description
1	038319	1	PANEL, TOP
2	038263	2	RAIL, SIDE
3	024057	4	CORNER
4	030896	<i>As Req.</i>	RETAINER, QUICK OPENING SCREW
5	030895	<i>As Req.</i>	SCREW, QUICK OPENING
6	031940	<i>As Req.</i>	SCREW, 6-32 X 3/8 SEMS PHIL HD
7	030775	<i>As Req.</i>	GUIDE, PANEL ALIGNMENT
8	038316	1	PANEL, REAR
9	038383	2	RAIL, END
10	038317	1	PANEL, SIDE
11	038315	1	PANEL, FRONT
12	038318	1	PANEL, SIDE WITH WINDOW
13	037417	1	WINDOW, ASSEMBLY
14-1	035720	<i>As Req.</i>	HANDLE
14-2	031937	<i>As Req.</i>	SCREW, 8-32 X 3/8 SEMS PHIL HD
15	040477	4	POST, CORNER
16	036624	1	ELBOW, SEA WATER INLET
17	031752	4	LOCKWASHER, 1/4
18	031501	4	CAPSCREW, 1/4 NC X 1/2
19	038328	1	SKIRT, FRONT
20	024058	4	CORNER
21	030880	4	CLOSURE, SKIRT CORNER
22	038258	2	SKIRT, SIDE
23	031503	8	CAPSCREW, 1/4 NC X 3/4
24	041744	1	SKIRT, REAR
25-1	041700	1	ELBOW, EXHAUST 90 DEG 1-7/8"
25-2	037916	1	BUSHING, 1-7/8" TO 2" HOSE
26	041745	1	PLENUM, AIR INTAKE
28	023991	2	ADAPTER, FUEL LINES THRU SKIRT-OPTIONAL
29	036069	2	BOLT, ASSEMBLY - PLENUM
30	038289	1	HOSE, SKIRT TO SEA WATER PUMP
—	030904	—	FOAM, 1" ACOUSTIC (SOLD BY SQ/FT)

SOUND GUARD (#043132)

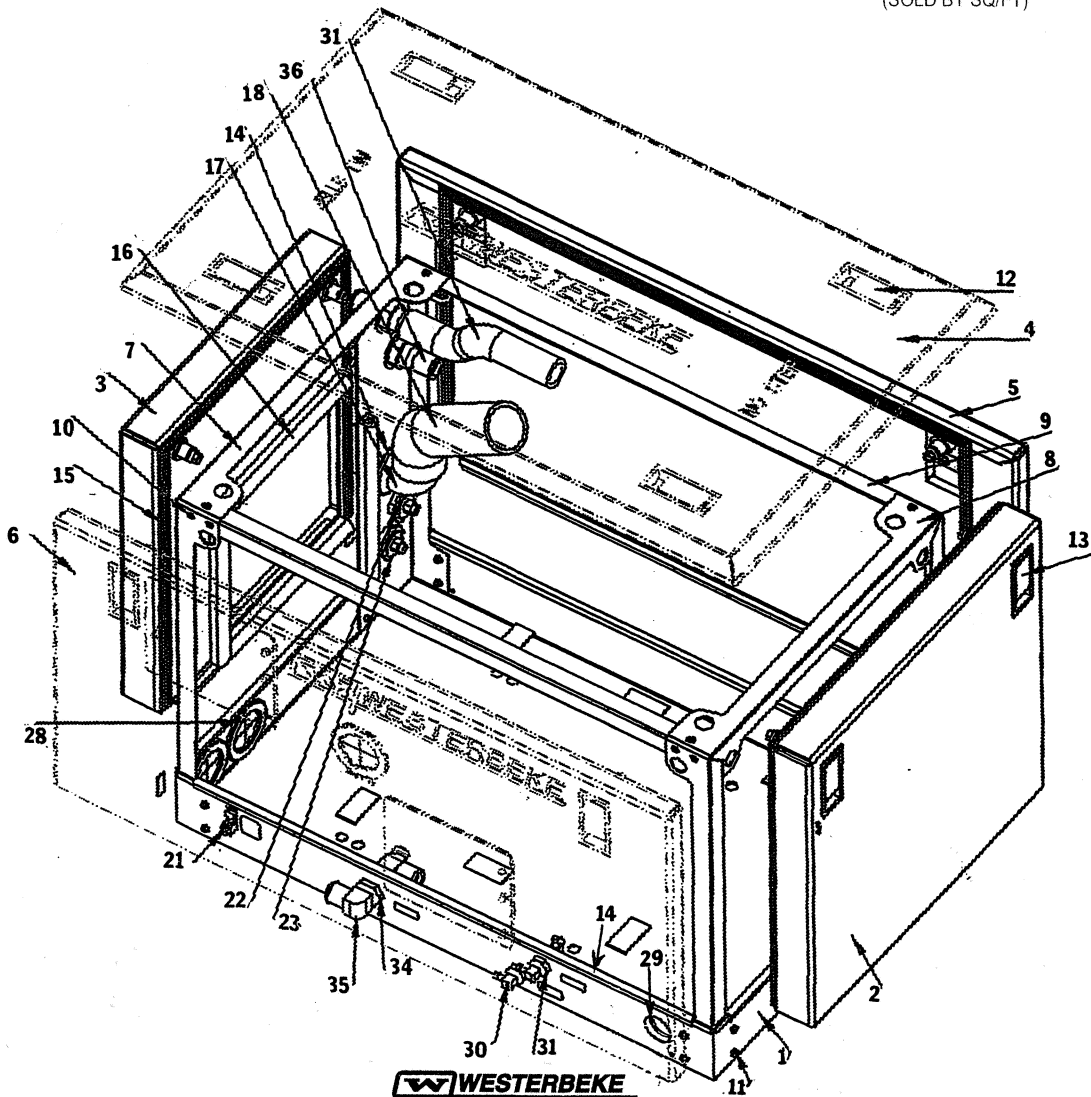
Item	Part No.	Quantity	Name/Description
1	43270	1	BASE
2	43357	1	PANEL, FRONT
3	43358	1	PANEL, REAR
4	47633	1	PANEL, SERVICE SIDE
5	43359	1	PANEL, LEFT SIDE
6	43360	1	PANEL, TOP
7	37298	1	COVER PLATE KIT 1 INDUDES COVERPLATE & TWO MOUNTING SCREWS
8	44080	2	CLASP
9	43775	18	LATCH, NEOPRENE
10	42815	1	ELBOW, EXHAUST
11	30901	As Req. by the Inch	HOSE, EXHAUST
12	11411	4	CLAMPS, EXHAUST HOSE
13	39498	16	GROMMET, NEOPRENE
14	42782	1	GROMMET, EXHAUST ELBOW
15	44065	1	COVER, NEOPRENE
16	43248	As Req. by the Inch	SEAL
17	43574	As Req. by the Inch	GASKET, FOAM RUBBER
18	42638	20	CORNER
—	030904	—	FOAM, 1" ACOUSTIC (SOLD BY SQ/FT)

NOTE: The front and rear panels are different; the rear panel has a foam rubbergasket (Item #17). Make sure the rear panel is installed at the generator end of the unit.



SOUND GUARD (SST #049484)

Item	Part No	Quantity	Name/Description	Item	Part No	Quantity	Name/Description
1	49486	1	BASE (INCLUDES CONNECTORS)	21	49543	1	TERMINAL, GROUND LUG
2	49485	1	PANEL, FRONT	22	49546	1	TERMINAL, BATTERY POS.
3	49487	1	PANEL, REAR	23	49544	1	TERMINAL, BATTERY NEG.
4	49490	1	PANEL, TOP	24	49661	1	CABLE, GROUND
5	49488	1	PANEL, SIDE	25	49659	1	CABLE, BATTERY POS.
6	49489	1	PANEL, SERVICE SIDE	26	49660	1	CABIE, BATTERY NEG.
7	49474	1	FRAME, REAR	27	39498	1	GROMMET, NEOPRENE
8	49473	1	FRAME, FRONT	28	42806	2	PLUG, DRAIN HOSE ACCESS
9	49475	2	FRAME, SUPPORT	29	49545	1	1/8 NPT BULKHEAD FITTING
10	49535	12	SCREW, 10-32 X 1/2 FLAT	30	48484	2	ELBOW, 1/8 NPT X 1/4 HOSE
11	49536	16	SCREW, 10-32 X 3/8 HEX SLOT	31	22927	5	SCREW, 10-32 X 3/8 HEX SLOT
12	49540	8	LATCH ASSEMBLY	32	24906	As Req.	HOSE, FUEL 1/4 ID
13	49537	4	LATCH ASSEMBLY (END PANELS)	33	48193	4	CLAMP, FUEL HOSE
14	49547	As Req.	GASKET, BASE EDGE	34	36616	3	1/2 NPT BULKHEAD FITTING
15	49548	As Req.	GASKET, PANEL EDGE	35	36618	2	ELBOW, 1/2 NPTX1 HOSE
16	43574	As Req.	GASKET, GENERATOR	36	49558	4	NIPPLE, 1/2 NPT X 1 HOSE
17	42815	1	ELBOW, EXHAUST OUTLET 2"	37	11779	1	HOSE, RAW WATER 1" MOLDED
18	49549	1	HOSE, EXHAUST 2" MOLDED	38	11405	As Req.	HOSE 1" WIRE INSERTED
19	42782	1	GROMMET, EXHAUST OUTLET	39	37298	8	CIAMP, RAW WATER HOSE
20	11411	4	CLAMP, EXHAUST HOSE	40	11411	1	COVER PLATE KIT, 7.6 BTD ONLY
					030904		FOAM, 1" ACOUSTIC (SOLD BY SQ/FT)



MISCELLANEOUS

Item	Part No.	Quantity	Name/Description
1	038350	1	KIT A, SPARE PARTS
2-1	038351	1	KIT B, SPARE PARTS-EXTENDED CRUISING 5.0 BCD
2-2	038351	1	KIT B, SPARE PARTS-EXTENDED CRUISING 5.0 BCDA
2-3	043562	1	KIT B, SPARE PARTS-EXTENDED CRUISING 5.0 BCDB
3-1	038352	1	GASKET SET, UPPER 5.0 BCD,5.0 BCDA
3-2	043560	1	GASKET SET, UPPER 5.0 BCDB
4-1	038353	1	GASKET SET, COMPLETE 5.0 BC0,5.0 BCDA
4-2	04 3561	1	GASKET SET, COMPLETE 5.0 BCDB
5	037121	1	KIT, FUEL HARDWARE
6	024177	1	KIT, REMOTE FRESH WATER SURGE TANK
7-1	01'3758	1	PAINT, RED AEROSOL SPRAY CAN
7-2	042307	1	PAINT, WHITE AEROSOL SPRAY CAN
8	030760	1	HARNES, 15 FOOT PANEL EXTENSION
9	038677	1	PARTS LIST
10	038673	1	MANUAL, SERVICE
11	042871	1	MANUAL, OPERATOR
12	015010	1	STRAINER, RAW WATER
13-1	038124	1	DIAGRAM, GENSET WIRING
13-2	043783	1	DIAGRAM, GENSET WIRING - SEA RAY
14	033327	1	VALVE, ANTI-SIPHON VENT
15	015010	1	STRAINER, SEA WATER
16	034936	1	MUFFLER, HYDRO-HUSH C
17-1	033340	<i>As Req.</i>	ADAPTER, HOSE TO MUFFLER-STRAIGHT
17-2	033341	<i>As Req.</i>	ADAPTER, HOSE TO MUFFLER-45 DEGREE
17-3	033342	<i>As Req.</i>	ADAPTER, HOSE TO MUFFLER-90 DEGREE
17-4	03394	<i>As Req.</i>	COUPLING, RUBBER INCLUDING CLAMPS
18	045050	1	KIT, HOSES
19	040078	1	KIT, REMOTE OIL FILTER

