



Parts Catalog

Cummins **Onan**

Performance you rely on.™



Marine Generator Set

MDKBT (Spec A)
MDKBU (Spec A)

MODEL IDENTIFICATION

To avoid errors or delay in filling your parts order, always give the MODEL, SPEC NO. and SERIAL NO. from the Onan nameplate.

For handy reference, insert your nameplate information in the spaces below.

MODEL AND SPEC NO.

SERIAL NO.

DIGITAL CONTROL SOFTWARE VERSION
AND DATE (IF APPLICABLE)

SAFETY PRECAUTIONS

The following symbols are used in Onan manuals to alert users to the potentially dangerous conditions relating to maintenance of equipment and replacement of parts. Please read and observe.



This symbol warns of immediate hazards which will result in severe personal injury or death.



This symbol refers to a hazard or unsafe practice which can result in severe personal injury or death.



This symbol refers to a hazard or unsafe practice which can result in severe personal injury or product or property damage.

PRODUCT SAFETY PRECAUTIONS



Service and repair of Onan equipment must be performed by trained, experienced personnel only. Improper service or repair may result in property damage, severe personal injury or death. Do not use this catalog as a guide to servicing your equipment. Read and follow the IMPORTANT SAFETY INSTRUCTIONS in the Service Manual appropriate for the equipment you are working on.



Contact with USED ENGINE OILS has been identified by a United States federal agency and some USA state agencies as causing CANCER or REPRODUCTIVE TOXICITY. When checking or changing engine oils take all necessary precautions not to ingest, breathe the fumes or contact the used oil.



Contact with ASBESTOS has been identified by a United States federal agency and some USA state agencies as causing CANCER or REPRODUCTIVE TOXICITY. When handling engine gaskets take all necessary precautions not to ingest, breathe or contact the dust from the gaskets! Use adequate ventilation and wear protective gloves, masks and clothing!



Contact with BENZINE and LEAD, found in gasoline, fuel additives and solvents has been identified by a United States federal agency and some USA state agencies as causing CANCER or REPRODUCTIVE TOXICITY. When checking, draining or adding gasoline and fuel additives or using solvents take all necessary precautions not to ingest, breathe the fumes or contact the liquids. Use adequate ventilation and wear protective gloves, masks and protective clothing!



Servicing and replacement of MARINE CRITICAL PARTS must be carried out by persons trained and experienced with marine gasoline engine-generator safety requirements!

Introduction

This catalog applies to the standard marine generator sets listed below. Parts are arranged in groups of related items and each illustrated part is identified by a reference number corresponding to the same reference number in the parts list. Parts illustrations are typical. Unless otherwise mentioned in the description or page heading, parts are interchangeable between models. Throughout this catalog left and right sides are determined by facing the engine end (front) of the set.

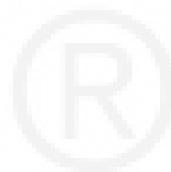
<u>MODEL</u>	<u>HERTZ</u>
--------------	--------------

MDKBT/*	50/60
MDKBU/*	50/60

* – The diagonal line (/) in the model and specification number separates generator set characteristics from the specification number and letter. The specification number denotes customer requested options or deviations from the standard model. The specification letter advances (A to B, B to C, etc.) with major manufacturing changes.

<u>WIRING DIAGRAM</u>	
-----------------------	--

630-2694	DC
----------	----



Index

Actuator, **20**
Actuator, Electronic Governor, **20**
Adapter, Coupling, **50**
Adapter, Pipe, **50**
Alternator, **34**
Alternator (Neg Gnd), **34**
Alternator (ISO Ground), **36**
Alternator (Isolated Ground), **35**
Alternator, ISO Ground, **36**
Assy ,Cylinder Head, **7**
Assy Bracket, Front, **35**
Assy Bracket, Rear, **35**
Assy Cover, Bearing Case, **15**
Assy Fork, Lever, **22**
Assy Holder, Nozzle, **25, 26**
Assy Lever, Engine Stop, **21**
Assy Lever, Governor, **21**
Assy Manifold, Intake, **31**
Assy Pipe, Over Flow, **25**
Assy Plug, Oil Filler, **29**
Assy Rectifier, **35**
Assy Rocker Arm Internal, **10**
Assy Rocker Arm, Exhaust, **10**
Assy Rotor, **35**
Assy Rotor, Oil Pump, **28**
Assy Shaft, Balancer, **11**
Assy. Arm, Valve, **10**
Assy. Shaft, Rocker Arm, **10**
Assy., Starter, **14**
Assy, Blank Panel, **68**
Assy, Connecting Rod, **8**
Assy, Control (eSDD), **68**
Assy, Drip Pan, **55**
Assy, Engine Mount, **55**
Assy, Engine Panel, **68, 70**
Assy, Flywheel, **12**
Assy, Generator Rotor, **65**
Assy, NIM PCB, **67**
Assy, Rocker Arm, **10**
Assy, Water Separator Drain, **42**
Assy, Water Separator Pump, **42**
Assy, Water Separator Replacement Head, **42**

Balancer, **11**
Base, Injection Pump, **27**
Base, Mounting, **55**
Belt Guard, **56**
Block, Cylinder, **6**

Bolt, Flange, **9**
Bolt, Flywheel, **12**
Bolts, Mechanical Governor Adjusting, **23**
Box, Control , **66**
Bracket, Air Silencer, **30**
Bracket, Alternator, **36**
Bracket, Clutch, **50**
Bracket, Engine (Lifting), **12**
Bracket, Fan Guard, **56, 57**
Bracket, Fuel Pump, **38**
Bracket, Heat Exchanger, **44**
Bracket, Isolated Ground, **54**
Bracket, Mounting Pad, **50**
Bracket, Oil Drain, **18**
Bracket, PTO (Left), **50**
Bracket, PTO (Right), **50**
Bracket, Remote Separator Mounting, **41**
Bracket, Rocker Arm, **10**
Breaker, Circuit (15 Amp), **70**
Breaker, Circuit (50 Amp), **70**
Bulkhead, Connector, **48**
Bush, Idle Gear, **9**
Bushing (Nylon), **30**
Bushing, Connecting Rod, **8**

Camshaft, **9**
Camshaft, Fuel, **27**
Cap, Coolant Recovery Tank, **49**
Cap, Cylinder Block Sealing, **6**
Cap, Radiator, **51**
Cap, Valve, **10**
Catch, Door, **62**
Circuit, Breaker, **67**
Circular Clip, External, **10**
Clamp, Hose, **30**
Clamp, Pipe, **25**
Clutch, **50**
Collar, Idle Gear, **9**
Collet, Valve Spring, **10**
Comp. Flange, Water, **32**
Comp. Gear, Idle, **9**
Comp., Valve Breather, **29**
Comp, Oil Pan, **18**
Components, Alternator , **35**
Components, Control Panel (Breaker Switch), **70**
Components, Control Panel (NIM), **68**
Components, Starter, **14**
Components, Water Pump, **33**

Index

Components, Water Separator, **42**
Connector, Hose, **43**
Connector, Hose (Rear), **48**
Control Harness, **73**
Control, Box, **67**
Cooler, Oil, **17**
Cooling, Keel, **45**
Cord, Glow Plug, **25**
Coupling, Flexible, **50**
Cover, **67**
Cover, Access, **61**
Cover, Access (Housed Only), **59, 60**
Cover, Bearing Case, **15**
Cover, Box, **67**
Cover, Breather, **29**
Cover, Cylinder Head, **29**
Cover, Enclosure (Rear), **58**
Cover, Flywheel, **12**
Cover, Flywheel Housing, **12**
Cover, Fuel Camshaft, **27**
Cover, Gear Case, **28**
Cover, Governor Rod, **21**
Cover, Hydraulic Pump, **47**
Cover, Injection Pump, **27**
Cover, Oil Pump, **28**
Cover, Thermostat, **32**

Door, **62**
Drive, Auxiliary (Sea Water Pump), **47**

Elbow, Exhaust (Wet), **51**
Elbow, Street Pipe, **38**
Element, Breather, **29**
Element, Water Separator, **42**
Endbell, **65**
Engine, Replacement, **6**
Exchanger, Heat, **44**
Exhaust, Bulkhead, **52**

Filter, Fuel, **37, 76**
Filter, Oil, **76**
Flange, Water Outlet, **32**
Flywheel, **12**

Gasket, **24, 28, 32**
Gasket, Crankcase, **28**
Gasket, Cylinder Head, **7**
Gasket, Enclosure, **61**
Gasket, Exhaust Manifold, **51**
Gasket, Governor Housing, **22**
Gasket, Head Cover, **29**
Gasket, Injection Pump, **27**
Gasket, Injection Pump Base, **27**
Gasket, Injection Pump Cover, **27**
Gasket, Shaft Cover, **27**
Gasket, Water Pump, **46**
Gauge, Oil, **16**
Gear, Camshaft, **9**
Gear, Crankshaft, **8**
Gear, Injection Pump, **27**
Gear, Ring, **12**
Gearcase Assy, **28**
Generator, **65**
Governor, Mechanical, **21**
Ground, Isolated, **54**
Guard, Belt, **57**
Guard, Belt W/O PTO, **56**
Guard, Coupling, **57**
Guard, Coupling (PTO), **64**
Guard, PTO (Front), **64**
Guide, Card, **67**
Guide, Exhaust Valve, **10**
Guide, Inlet Valve, **10**
Guide, Oil Gauge, **16**

Hanger, Coolant Recovery Tank, **49**
Harness, Accessory, **67**
Harness, Battery, **59, 60**
Harness, Battery (Front Bulkhead), **59**
Harness, Battery (Rear Bulkhead), **60**
Harness, Control, **73**
Harness, Ground, **54**
Harness, Junction, **75**
Harness, Remote Control Panel, **71**
Harness, Remote Extension, **75**
Harnesses, **74**
Head, Cylinder, **7**
Holder, Nozzle, **26**
Hose, Fuel, **39, 40**
Hose, Intake, **30**
Housing Assy, Injection Pump, **27**
Housing, Flywheel, **12**
Housing, Generator, **58**
Housing, Governor, **21**
Housing, Injection Pump, **27**
Housing, Main Bearing, **15**

Index

Impeller, Water Pump, **46**
Injection, Fuel, **25**
Instalation Roof (End), **63**
Insulation, Cover, **58**
Insulation, Duct, **63, 64**
Insulation, Panel, **58**
Insulation, Roof, **61**
Insulation, Sound, **62, 64**
Intake, **30**
Isolation, Vibration, **67**
Isolator, Mounting, **55**

Joint, Breaher, **31**
Joint, Breather Pip, **29**
Joint, Breather Pipe, **33**
Joint, Water Pipe, **33**

Kit Holder, Nozzle, **26**
Kit, Adapter Fuel (5/16 ID Hose), **38**
Kit, Control Panel, **69**
Kit, Coolant Recovery, **49**
Kit, Cruise, **76**
Kit, Exhaust (Adapter w/ Elbow), **51**
Kit, Exhaust (Adapter,No Elbow), **51**
Kit, Exhaust (Water Sperator), **53**
Kit, Exhaust (Wet, Front Out), **51**
Kit, Exhaust (Wet, Rear Out), **51**
Kit, Fitting Adapter, **38**
Kit, Fuel Adapter, **38**
Kit, Fuel Filter, **38**
Kit, Generator Heater, **65**
Kit, Holder Nozzle, **25**
Kit, Hose (Raw Water Front), **48**
Kit, Hose (Raw Water Rear), **48**
Kit, Impeller Service, **46**
Kit, Muffler/Water Separator, **53**
Kit, PCB (J1939 No Cover), **67**
Kit, PCB (SmartCraft No Cover), **67**
Kit, PTO, **50**
Kit, Pump Repair , **46**
Kit, Remote Control Panel, **71**
Kit, Remote Control Panel Switch Harness, **71**
Kit, Remote Fuel/Water Separator, **41**
Kit, Siphon Break, **43**
Kit, Sound Shield (Full), **61**
Kit, Sound Shield (PTO), **64**
Kit, Terminal Boot, **59**
Kit, Water Separator Metal Bowl Replacement, **42**

Kit, Water Separator O'Ring , **42**
Kits, **76**

Label, Control , **70**
Labels, **76**
Latch, Door, **62**
Lever, Engine Stop, **21**
Lever, Speed Control, **21**
Lever, Stop, **21**
Lever,Mechanical Governor Fork, **22**
Lines, Fuel Transfer (Front), **39**
Lines, Fuel Transfer (Rear), **40**

Manifold Assy. (Exhaust), **51**
Manifold, Exhaust, **51**
Manifold, Intake, **31**
Meter, Hour, **70**
Mounting, Governor, **19**
Muffler, **53**

Pan, Oil, **18**
Panel, Access, **58, 62**
Panel, Air Baffle, **58**
Panel, Control, **70**
Panel, Control(Gnd), **70**
Panel, Duct, **63, 64**
Panel, Enclosure, **58, 64**
Panel, Enclosure (Front), **63**
Panel, Housing, **58**
Panel, Remote Control, **71, 71**
Panel, Roof, **61**
Panel, Roof (End), **63**
PCB Assy, Control, **58**
Pickup, Oil, **18**
Piece, Nozzle, **26**
Pin, Cylinder Block Straight, **6**
Pin, Piston, **8**
Pin, Spring, **10**
Pipe, Injection, **25**
Pipe, Water Return, **32**
Piston, **8**
Plug, Cylinder Block, **6**
Plug, Hole, **67**
Plug, Oil Filler, **29**
Plug, Water Outlet Flange, **32**
Plug, Water Separator, **42**
PTO, **50**
PTO Belt Guard, **57**

Index

- Pulley, Alternator, **36**
- Pump Assy., Water, **33**
- Pump, Comp. Base Hydraulic, **47**
- Pump, Electric Fuel, **38**
- Pump, Injection, **24**
- Pump, Injection , **24**
- Pump, Sea Water, **46**

- Relay, Isolated Ground Solenoid, **54**
- Relay, SPDT (12V), **67**
- Relay, SPDT (24V), **67**
- Resonator, Air Intake, **30**
- Retainer, Spring, **10**
- Retainer, Valve Spring, **10**
- Ring, Retaining, **46**
- Rivet, Drive Plastic, **68**
- Rod, Push, **9**
- Rotor, Exciter, **65**

- Screw, Adjusting, **10**
- Seal, Heat, **25**
- Seal, Oil, **15**
- Seal, Shaft, **46**
- Seal, Valve Stem, **10**
- Seal, Weather, **62**
- Separator, Fuel/Water, **53**
- Separator, Remote Fuel/Water, **41**
- Separator, Remote Fuel/Water Separator, **41**
- Separator, Water, **53**
- Set, Regulator, **35**
- Set, Ring, **8**
- Shaft, Fork Lever, **22**
- Shaft, Idle Gear, **9**
- Shaft, Valve, **10**
- Shield, Breather, **29**
- Shield, Engine Panel Sound, **62**
- Shield, Panel Engine Sound (Front and Rear), **63**
- Shield, Panel Engine Sound (Front w/PTO), **64**
- Shield, Sound, **61**

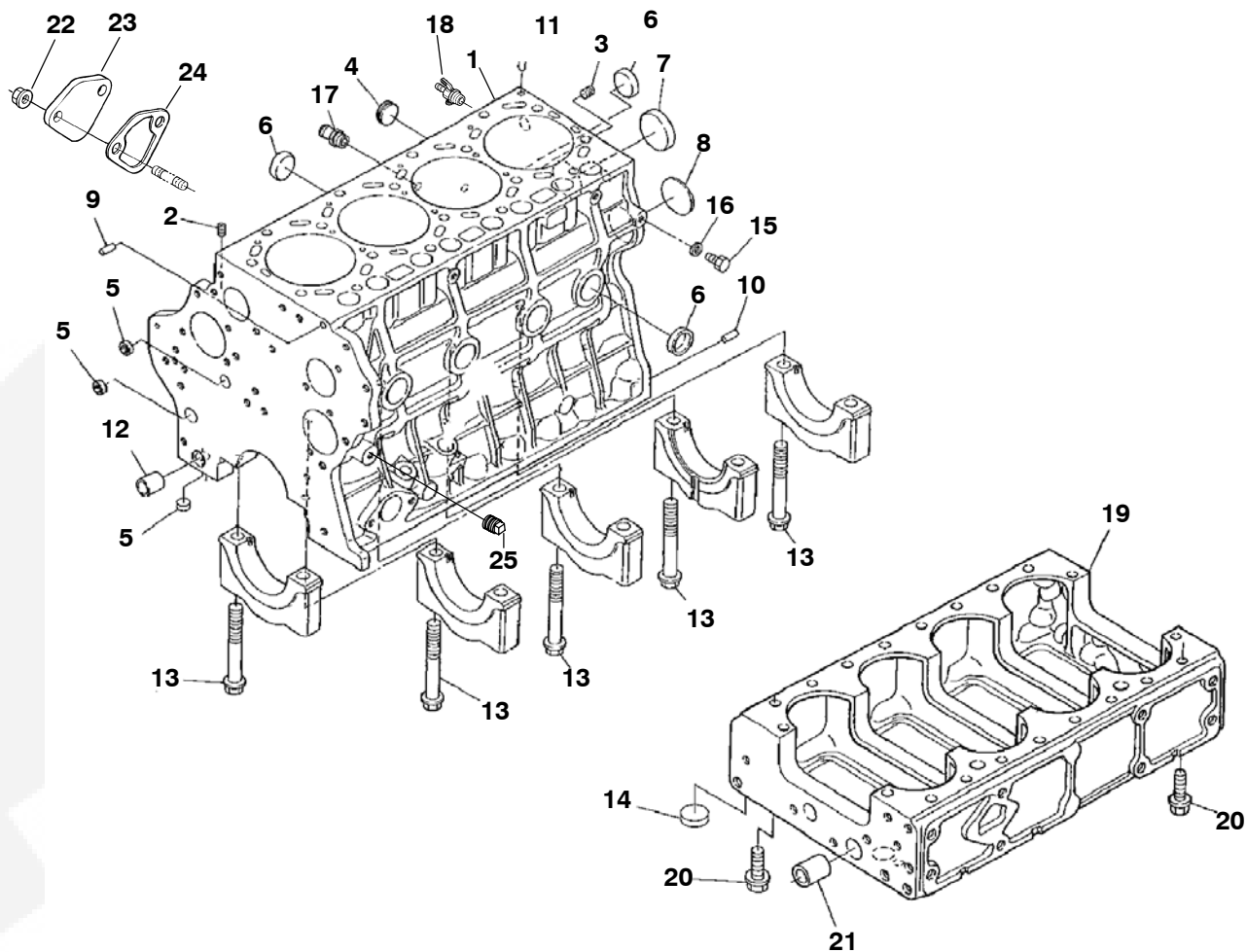
- Shim, Injection Pump Mounting, **24**
- Siphon, Break, **43**
- Slinger, Water Pump, **46**
- Socket, Relay, **73**
- Spacer, Alternator, **36**
- Spacer, Guard, **56, 57**
- Spacer, Water Pump, **46**
- Spring, **10**
- Spring, Governor, **22**
- Spring, Nozzle, **26**
- Spring, Return, **21**
- Spring, Stop Lever, **22**
- Spring, Valve, **10**
- Spring, Valve Seat, **28**
- Standoff, Insulation, **67**
- Starter, **13**
- Starter Assy, **13**
- Stator, Generator, **65**
- Stopper, Camshaft, **9**
- Stopper, Fuel Camshaft, **27**
- Strap, Bond, **67**
- Supply, Fuel, **38**
- Switch, Pressure, **44, 45**
- Switch, Remote Control Panel Rocker (S11), **71**
- Switch, Rocker, SPDT, **70**
- Switch, Temperature (Wet), **51**

- Tank, Coolant Recovery, **49**
- Tappet, **9**
- Tube, Breather, **29**

- Valve, Check, **43**
- Valve, Exhaust, **10**
- Valve, Inlet, **10**
- Valve, Relief, **28**

- Water Inlet, **48**
- Weight, Governor, **21**

Cylinder Block

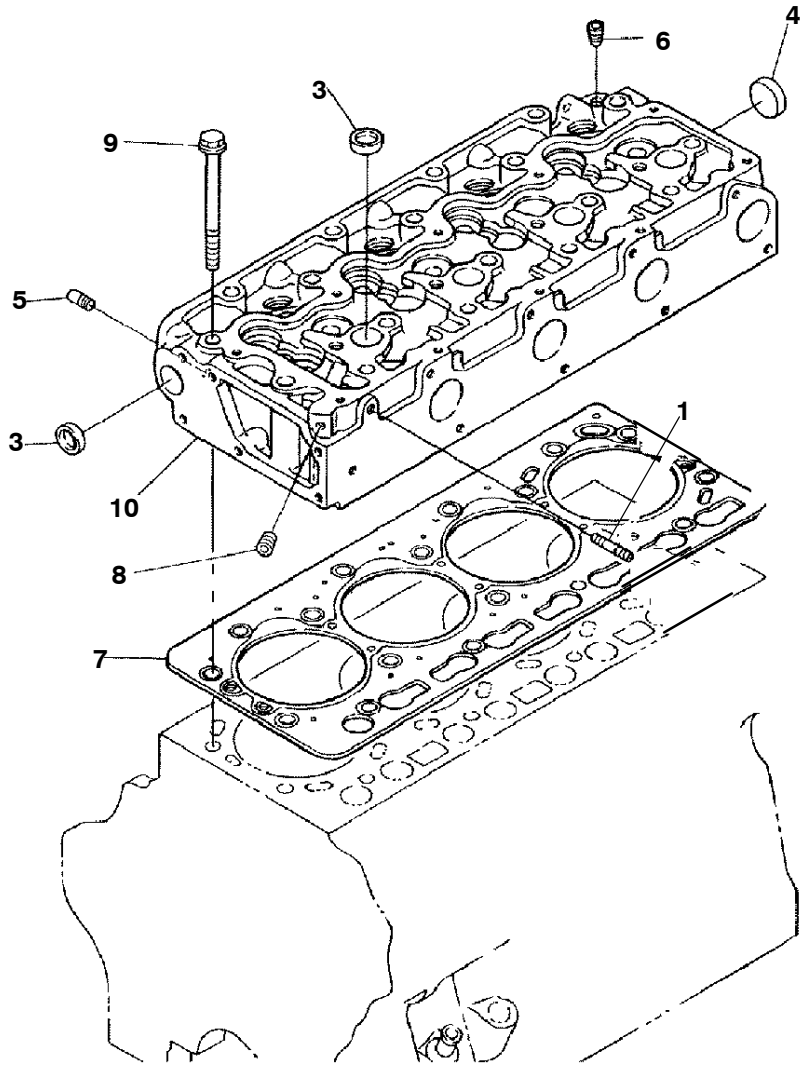


REF NO.	PART NO.	QTY USED	PART DESCRIPTION	REF NO.	PART NO.	QTY USED	PART DESCRIPTION
			Engine, Replacement	14	185-5840	1	#Cap, Sealing
	100-3977-01	1	12V	15	185-5845	1	Plug
	100-3977-02	1	24V	16	185-2338	1	Gasket
1	110-3977	1	Block Assy, Cylinder (Includes Parts Marked #)	17	502-1604	1	Joint, Water Pipe
2	185-2233	2	#Plug	18	504-0310	1	Valve, Ball
3	505-2371	1	#Plug	19	110-3980	1	Crankcase
4	185-6856	1	#Plug	20	800-6418	16	Bolt, Flange
5	185-2413	4	#Cap, Sealing	21	516-2117	1	Pin, Gear Case
6	185-5840	9	#Cap, Sealing	22	185-7166	2	Nut, Flanged
7	185-5841	1	#Cap, Sealing	23	185-5798	1	Cover
8	517-0404	1	#Plug, Expansion	24	185-6580	1	Gasket, Fuel Pump
9	516-2122	1	#Pin, Straight	25	185-5502	1	Plug
10	516-2123	4	#Pin, Straight				
11	185-5842	2	#Pin, Pipe				
12	516-2116	1	#Pin, Gear Case				
13	800-6405	10	#Bolt, Bearing Case				

- Parts included in Cylinder Block Assy.

* - Parts Included in Keel Cooling Kit Listed on Keel Cooling-Dry Exhaust Page.

Cylinder Head

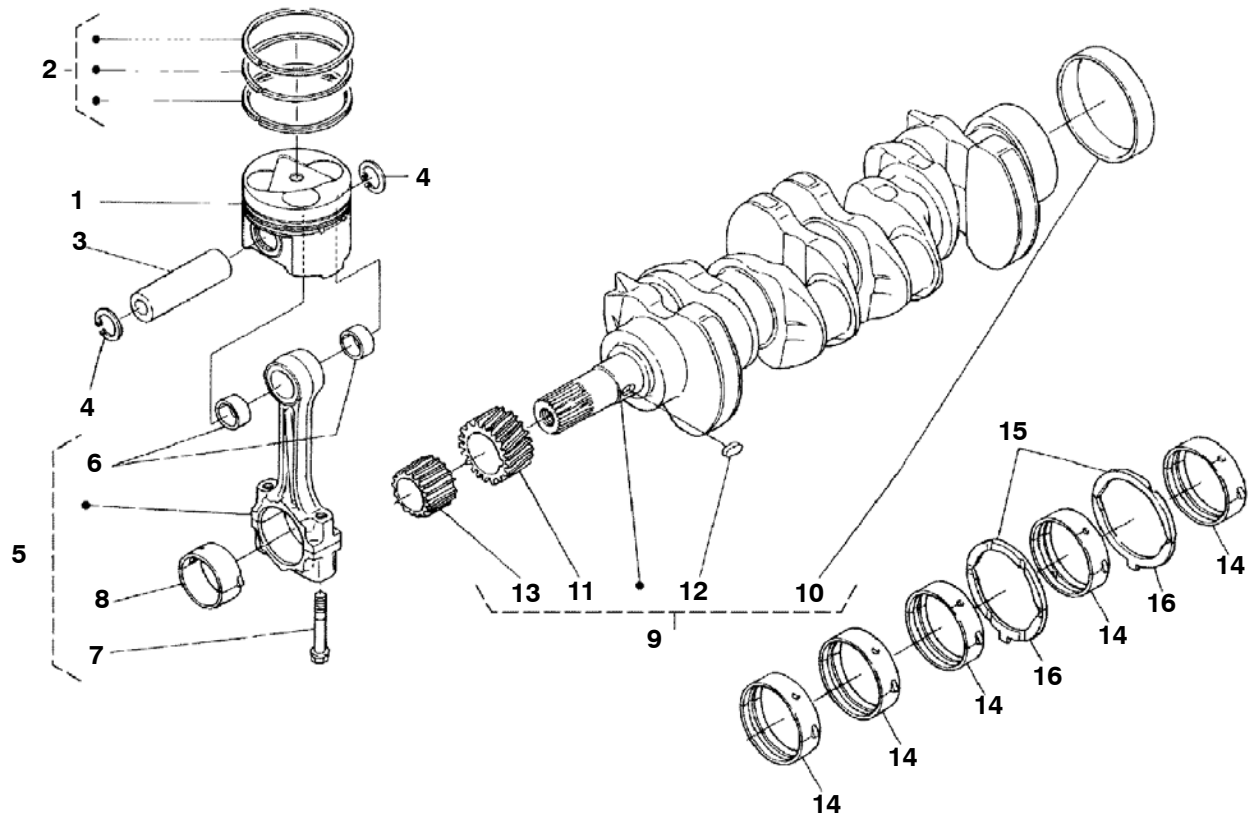


REF NO.	PART NO.	QTY USED	PART DESCRIPTION	REF NO.	PART NO.	QTY USED	PART DESCRIPTION
1	185-6033	1	#Stud	8	185-5502	1	Plug
2	110-3985	1	Assy ,Cylinder Head (Includes Parts Marked #)	9	800-6407	18	Bolt, Cylinder Head
3	185-5861	5	#Cap, Sealing	10	110-3986	1	#Head, Cylinder
4	185-2412	1	#Cap, Sealing				
5	185-2188	4	#Plug				
6	185-2233	1	#Plug				
7			Gasket, Cylinder Head				
	110-3976	1	0.90mm				
	110-3978	1	1.00mm				
	110-3979	1	1.05mm				

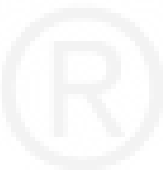
* - Parts Included in Cylinder Head Assy.



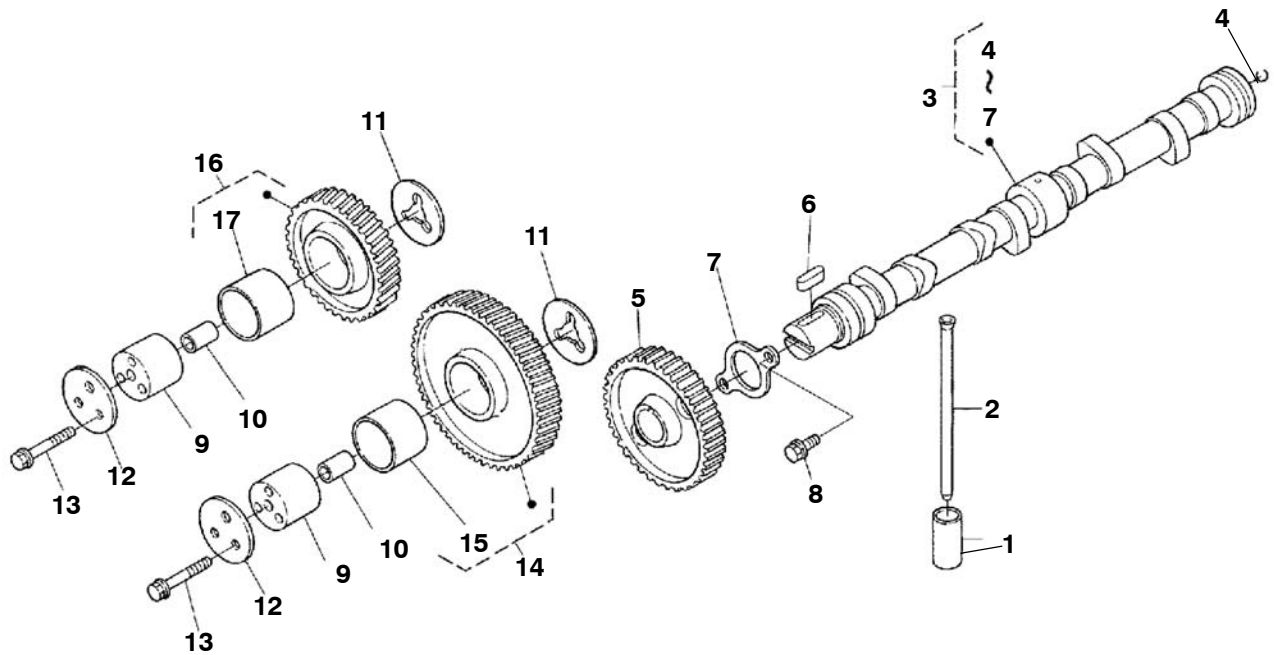
Piston



REF NO.	PART NO.	QTY USED	PART DESCRIPTION	REF NO.	PART NO.	QTY USED	PART DESCRIPTION
1			Piston	10	104-2096	1	Sleeve, Crankshaft
	112-0311	4	Standard	11	507-0017	1	Gear, Crankshaft
	112-0310	4	0.5 mm Oversize	12	185-2353	1	Key, Feather
2			Set, Ring	13	507-0020	1	Gear, Oil Pump Drive
	541-1403	4	Standard	14			Bushing, Crankshaft
	541-1402	4	0.5 mm Oversize		104-2088	5	Standard
3	112-0312	4	Pin, Piston		104-2082	5	0.20 mm Oversize
4	518-0761	8	Circle Clip, Internal		104-2085	5	0.40 mm Oversize
5	114-0425	4	Rod Assy, Connecting (Includes Bushing, Bearing and Bolts)	15			Bushing
6	510-0244	8	Bushing		104-2086	2	Standard
7	800-6406	8	Bolt, Connecting Rod		104-2080	2	0.20 mm Oversize
8			Bushing		104-2083	2	0.40 mm Oversize
	114-0423	4	Standard	16			Bushing
	114-0421	4	0.20 mm Oversize		104-2087	2	Standard
	114-0422	4	0.40 mm Oversize		104-2081	2	0.20 mm Oversize
	114-0424	4	Standard		104-2084	2	0.40 mm Oversize
9	104-2092	1	Comp., Crankshaft				



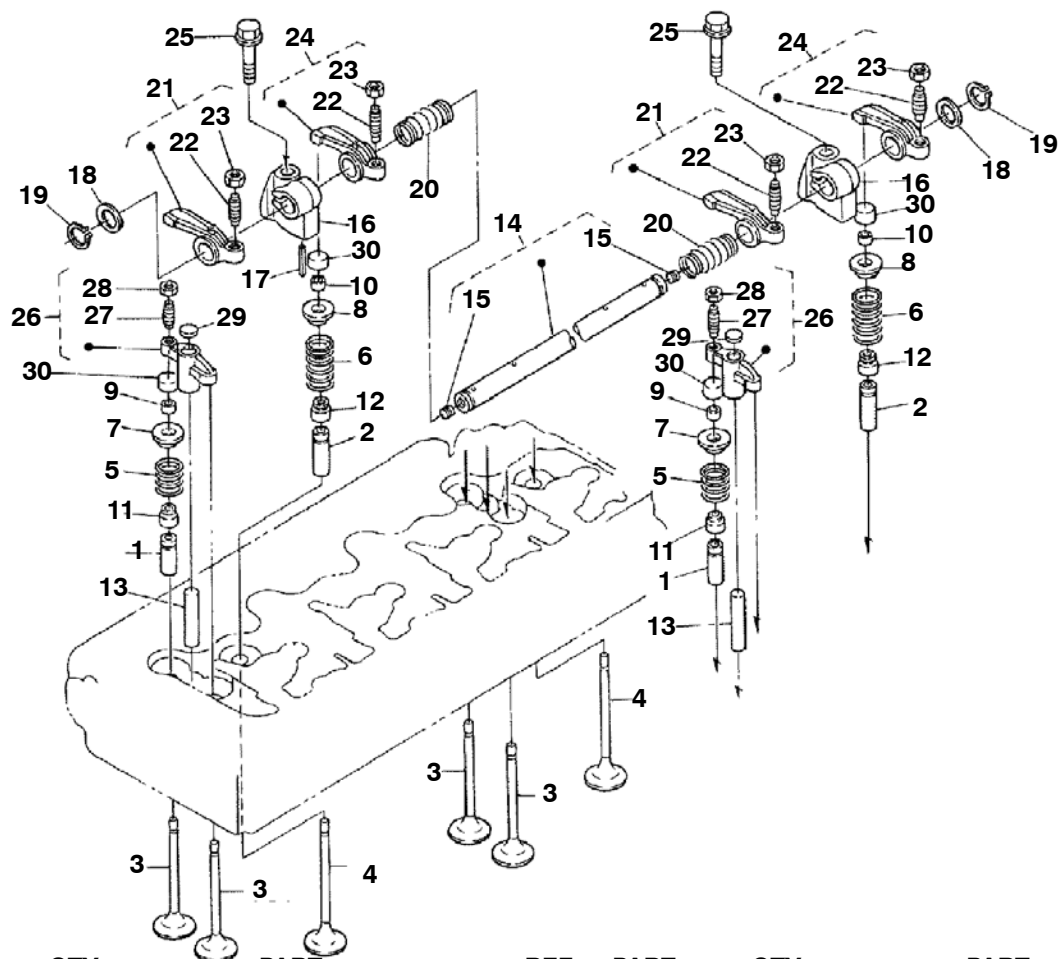
Camshaft



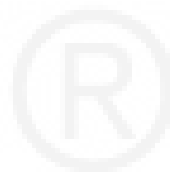
REF NO.	PART NO.	QTY USED	PART DESCRIPTION	REF NO.	PART NO.	QTY USED	PART DESCRIPTION
1	185-5900	8	Tappet	12	406-1171	2	Collar, Idle Gear
2	115-0527	8	Rod, Push	13	800-6335	6	Bolt, Flange
3	105-0746	1	Camshaft Assy (Includes Parts Marked *)	14	507-0014	1	Comp. Gear, Idle
4	105-0748	1	*Ball	15	510-0243	1	Bush, Idle Gear
5	507-0016	1	*Gear, Camshaft	16	507-0013	1	Comp. Gear, Idle
6	185-2354	1	*Key, Feather	17	510-0243	1	Bush, Idle Gear
7	518-0769	1	*Stopper, Camshaft				
8	185-2826	1	*Bolt, Flange				
9	120-1369	2	*Shaft, Idle Gear				
10	516-2118	2	Pin, Gear Idle				
11	406-1170	2	Collar, Idle Gear				

* - Parts Included in Camshaft Assy

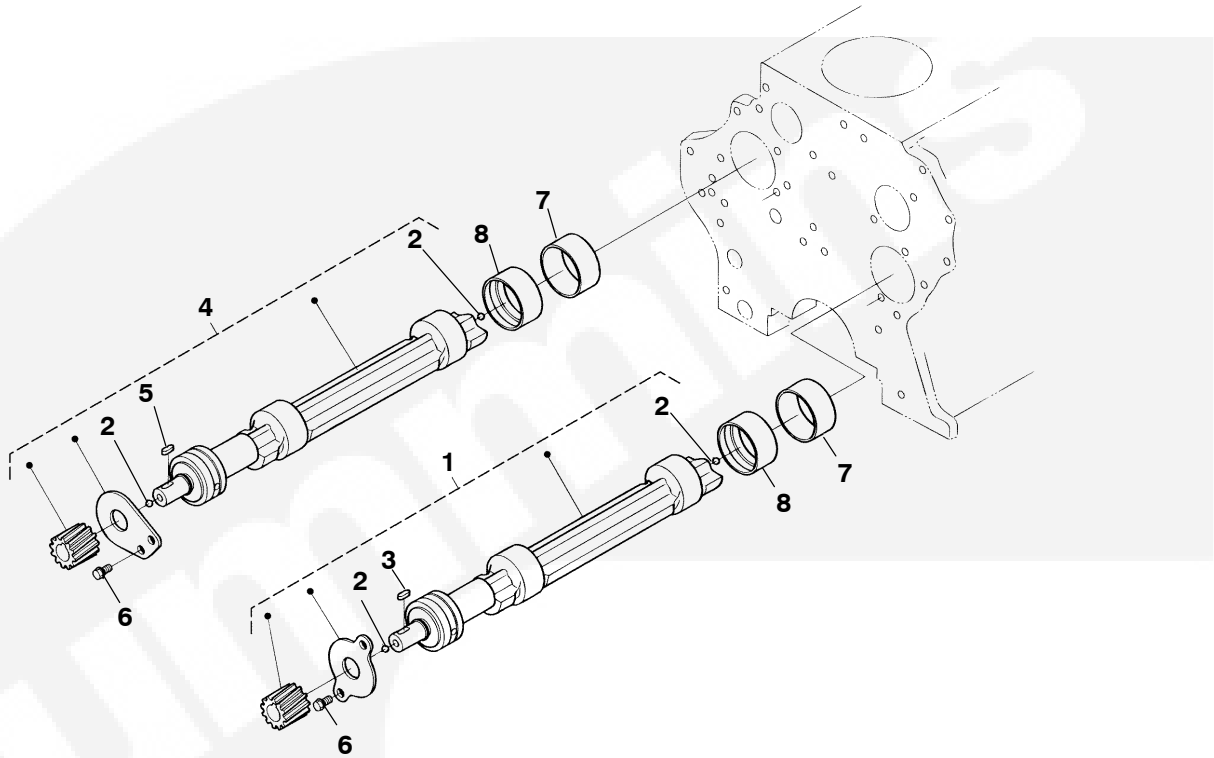
Rocker Arm



REF NO.	PART NO.	QTY USED	PART DESCRIPTION	REF NO.	PART NO.	QTY USED	PART DESCRIPTION
1	110-3960	8	Guide, Inlet Valve	17	185-6749	1	Pin, Spring
2	185-5863	4	Guide, Exhaust Valve	18	526-2343	2	Washer
3	110-3984	8	Valve, Inlet	19	518-0766	2	Circular Clip, External
4	110-3983	4	Valve, Exhaust	20	506-0043	3	Spring
5	110-3982	8	Spring, Valve	21	115-0520	4	Assy Rocker Arm Internal
6	185-6016	4	Spring, Valve	22	185-6029	8	Screw, Adjusting
7	110-3959	8	Retainer, Spring	23	185-6030	8	Nut
8	185-6017	4	Retainer, Valve Spring	24	115-0521	4	Assy Rocker Arm, Exhaust
9	185-2077	8	Collet, Valve Spring	25	800-6420	4	Bolt, Flange
10	110-3948	4	Collet, Valve Spring	26	115-0519	4	Assy. Arm, Valve
11	185-7300	8	Seal, Valve Stem	27	800-6429	4	Screw, Adjustment
12	110-3975	4	Seal, Valve Stem	28	185-6695	4	Nut
13	115-0524	4	Shaft, Valve	29	517-0406	4	Pad
14	115-0522	1	Assy. Shaft, Rocker Arm	30	185-6019	4	Cap, Valve
15	803-2013	2	Screw, Set				
16	115-0526	4	Bracket, Rocker Arm				



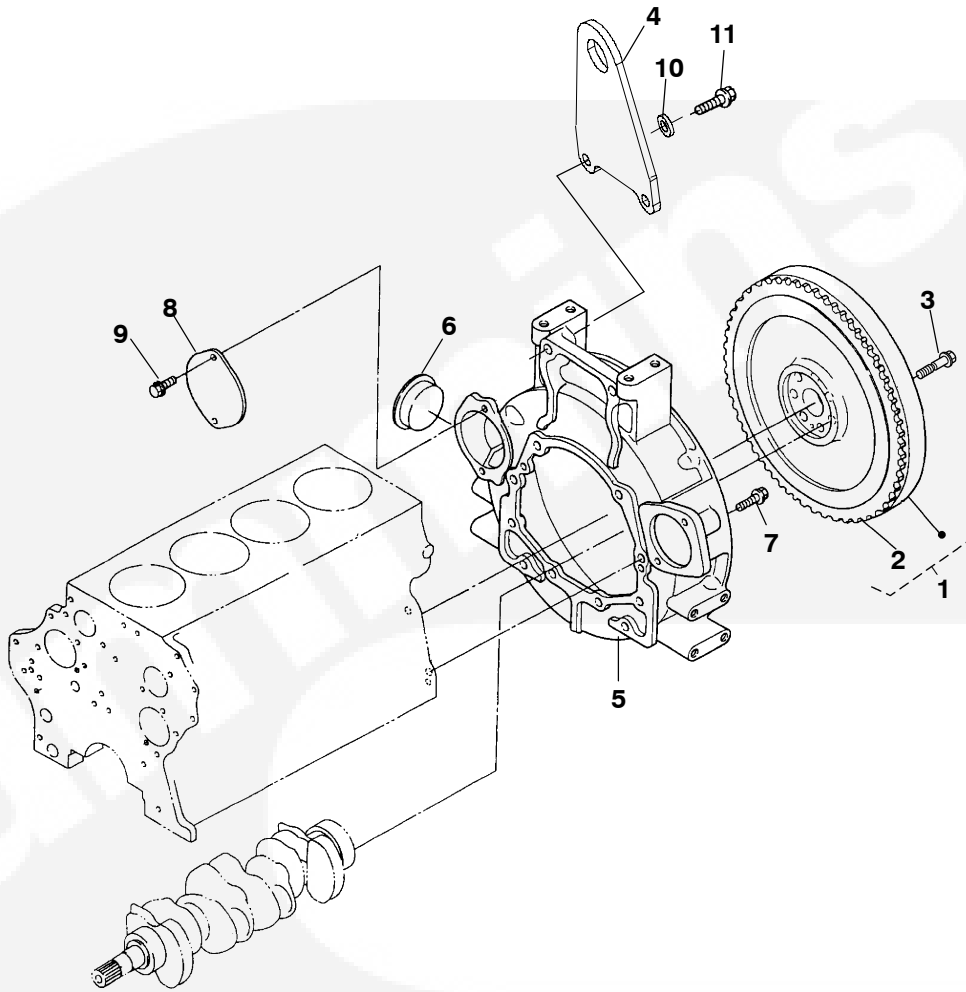
Balancer



REF NO.	PART NO.	QTY USED	PART DESCRIPTION	REF NO.	PART NO.	QTY USED	PART DESCRIPTION
1	104-2090	1	Assy Shaft, Balancer	5	515-0321	1	Key, Feather
2	185-5924	4	Ball	6	185-2826	4	Bolt, Flanged
3	515-0321	1	Key, Feather	7	510-0241	2	Metal, Balancer
4	104-2089	1	Assy Shaft, Balancer	8	510-0242	2	Metal, Balancer



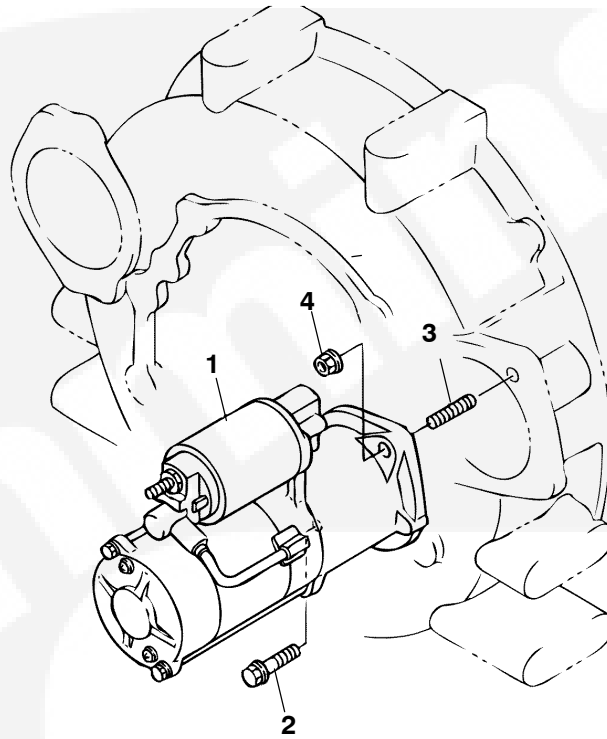
Flywheel



REF NO.	PART NO.	QTY USED	PART DESCRIPTION	REF NO.	PART NO.	QTY USED	PART DESCRIPTION
1	104-2095	1	Flywheel Assy (Includes Ring Gear)	9	800-6417	2	Bolt, Flange
2	507-0021	1	Gear, Ring	10	526-0399-73	2	Washer, Flat (M12)
3	800-6423	7	Bolt, Flywheel	11	800-6392	2	Screw, Hex Head (M14 x 1.5 x 60mm)
4	403-6089-03	1	Bracket, Engine (Lifting)	* - Engine Bracket Mounted with embossed "M" faces flywheel.			
5	104-2091	1	Housing, Flywheel				
6	104-2094	1	Cover, Flywheel				
7	800-6422	10	Bolt, Flange				
8	104-2093	2	Cover, Flywheel Housing				



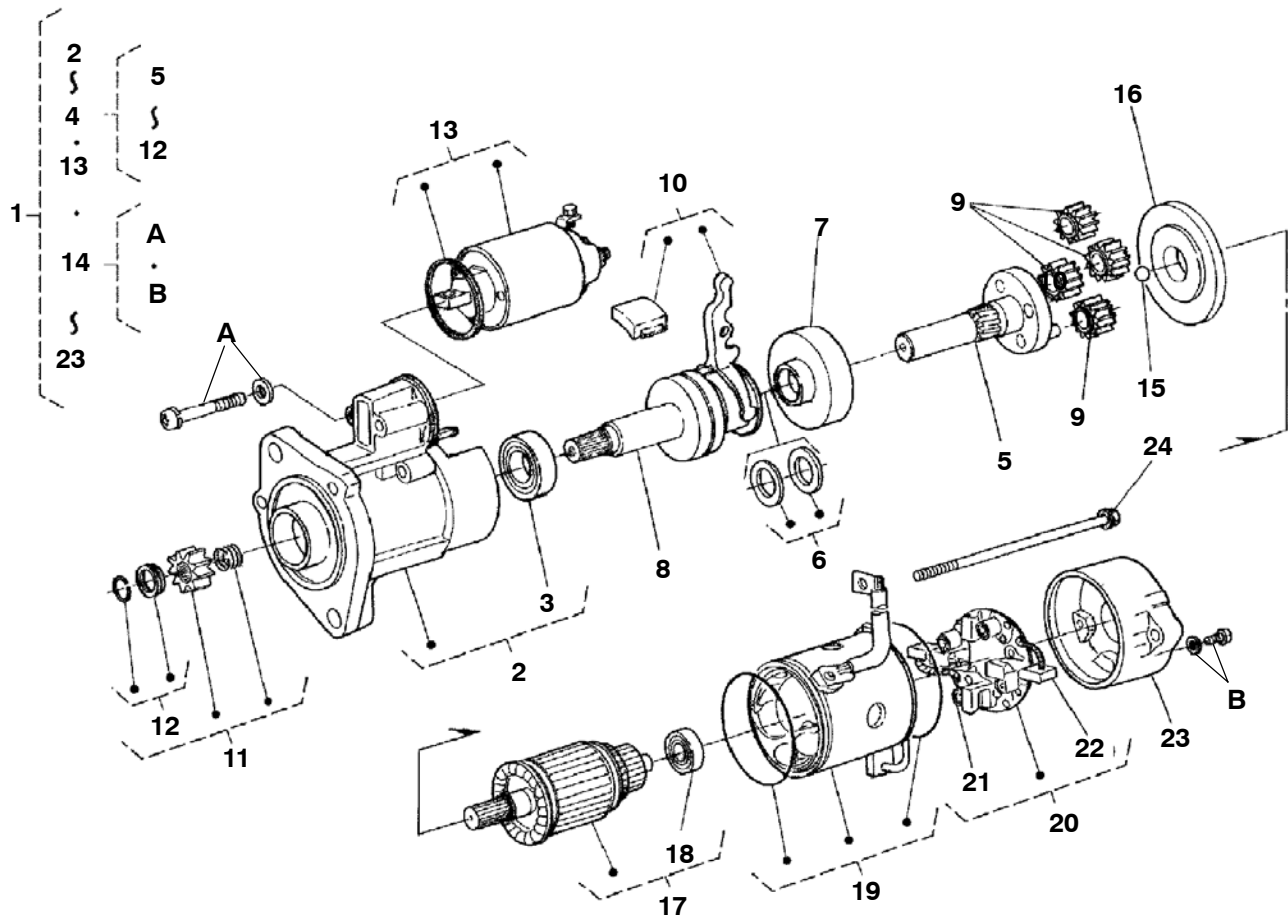
Starter



REF NO.	PART NO.	QTY USED	PART DESCRIPTION	REF NO.	PART NO.	QTY USED	PART DESCRIPTION
1			Starter Assy	2	800-6419	1	Bolt, Flange
	191-2422	1	12V	3	520-2674	1	Stud
	191-2423	1	24V	4	860-2084	1	Nut, Flanged

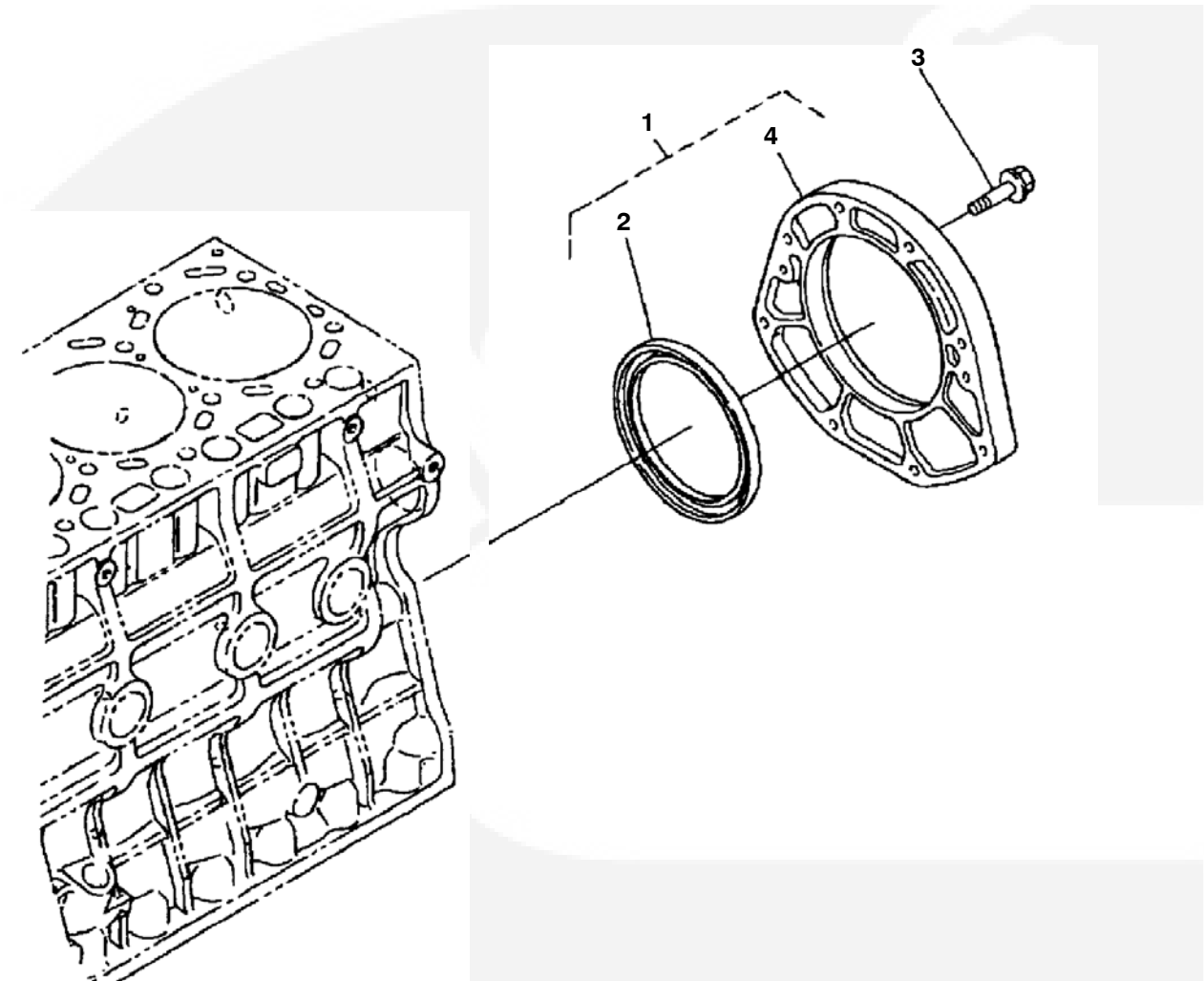


Starter Components (12V and 24V)



REF NO.	PART NO.	QTY USED	PART DESCRIPTION	REF NO.	PART NO.	QTY USED	PART DESCRIPTION
1			Assy., Starter	14	803-2014	1	Set, Screw
	191-2422	1	12V	15	191-2447	1	Ball
	191-2423	1	24V	16	191-2443	1	Packing, Set
2			Bracket Assy., Front	17			Assy. Armature
	191-2428	1	12V		191-2425	1	12V
	191-2431	1	24V		191-2426	1	24V
3	510-0235	1	Set, Bearing	18	510-0236	1	Bearing
4			Shaft Assy., Clutch	19			Assy Yoke
	191-2440	1	12V		191-2435	1	12V
	191-2441	1	24V		191-2436	1	24V
5	191-2442	1	Shaft Assy., Gear	20			Holder Assy., Brush
6	526-2345	1	Set, Washer		212-1311	1	12V
7			Set, Internal Gear		212-1312	1	24V
	507-0022	1	12V	21	506-0044	4	Brush, Spring
	507-0023	1	24V	22			Brush
8	190-0887	1	Clutch, Over Running		191-2429	2	12V
9	507-0015	4	Assy. Gear		191-2430	2	24V
10	191-2444	1	Assy Lever, Set	23	191-2439	1	Bracket Assy., Rear
11	191-2445	1	Set, Pinion	24	800-6426	1	Set, Bolt
12	518-0770	1	Set, Stopper				
13			Switch Assy., Magnetic				
	307-3124	1	12V				
	307-3125	1	24V				

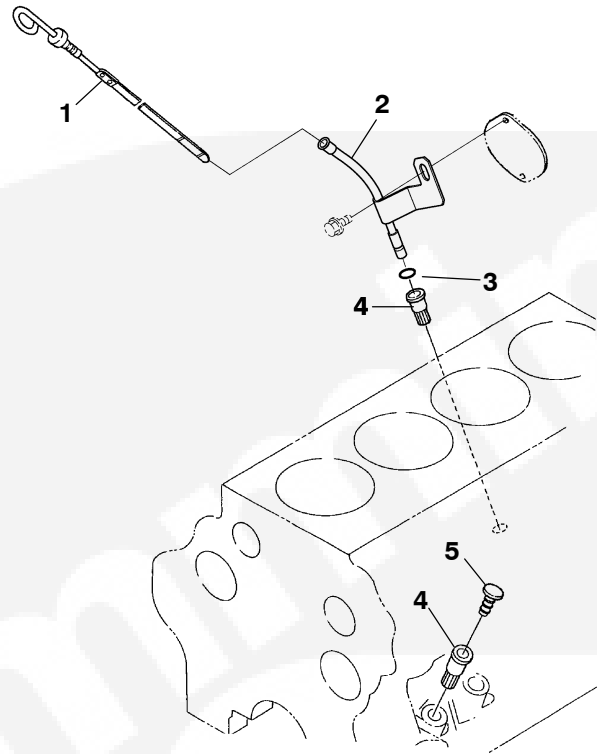
Main Bearing Housing



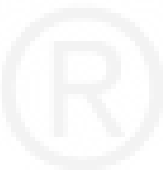
REF NO.	PART NO.	QTY USED	PART DESCRIPTION	REF NO.	PART NO.	QTY USED	PART DESCRIPTION
1	101-0851	1	Assy Cover, Bearing Case	3	800-6334	8	Bolt, Flange
2	509-0460	1	Seal, Oil	4	101-0852	1	Cover, Bearing Case



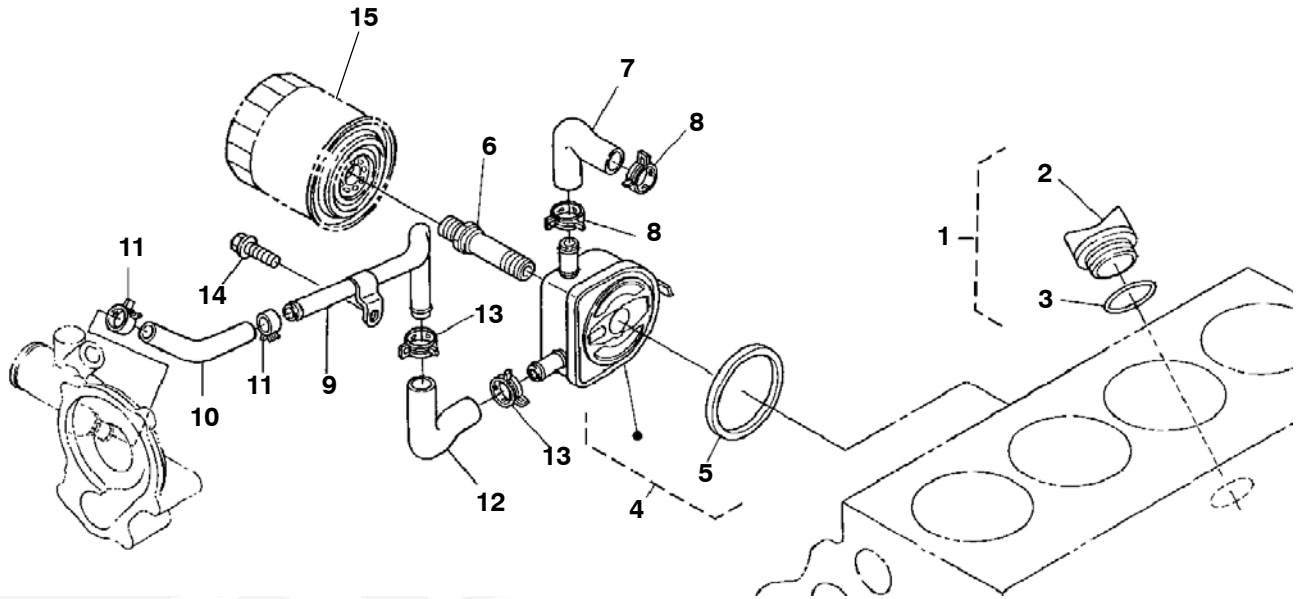
Oil Gauge



REF NO.	PART NO.	QTY USED	PART DESCRIPTION	REF NO.	PART NO.	QTY USED	PART DESCRIPTION
1	123-2323	1	Gauge, Oil	4	123-2331	2	Guide, Oil Gauge
2	123-2324	1	Guide, Oil Gauge	5	517-0386	1	Plug, Oil Gauge
3	181-9018	1	O'Ring				



Oil Cooler

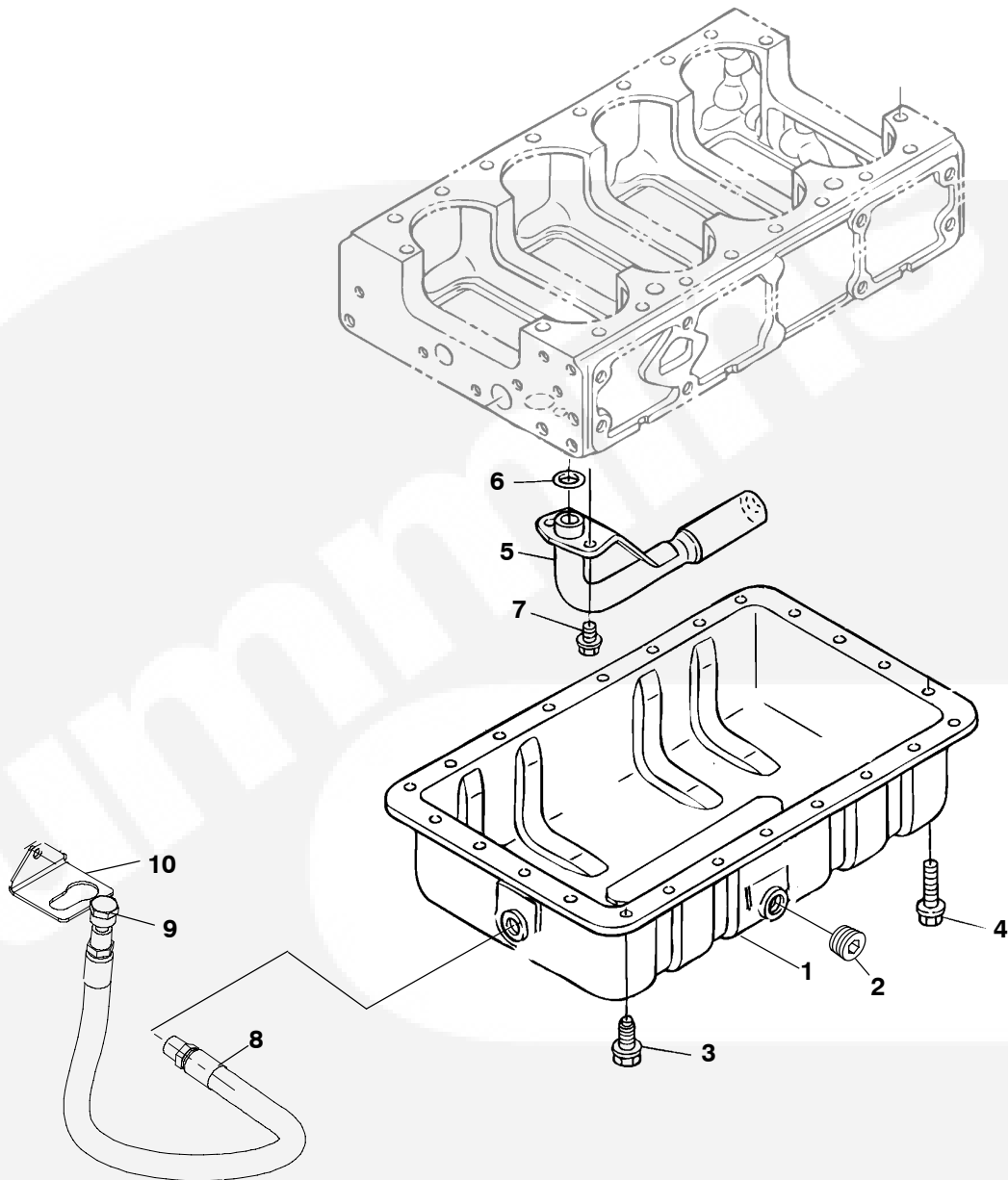


REF NO.	PART NO.	QTY USED	PART DESCRIPTION	REF NO.	PART NO.	QTY USED	PART DESCRIPTION
1	123-2328	1	Plug Assy., Oil Filler (Includes Parts Marked #)	9	130-7421	1	Pipe, Oil Cooler
2	123-2299	1	#Plug, Oil Filler	10	503-2903	1	Pipe, Oil Cooler
3	509-0414	1	#O'Ring	11	185-6722	2	Clamp, Hose
4	102-1533	1	Cooler Assy., Oil (Includes Housing and Gasket)	12	503-2904	1	Pipe, Oil Cooler
5	509-0468	1	Gasket, Oil Cooler	13	185-6722	2	Clamp, Hose
6	122-0907	1	Joint	14	185-2826	1	Bolt, Flange
7	503-2902	1	Pipe, Oil Cooler	15	122-0906	1	Filter, Oil
8	185-6722	2	Clamp, Hose				

- Parts included in Plug Assy.

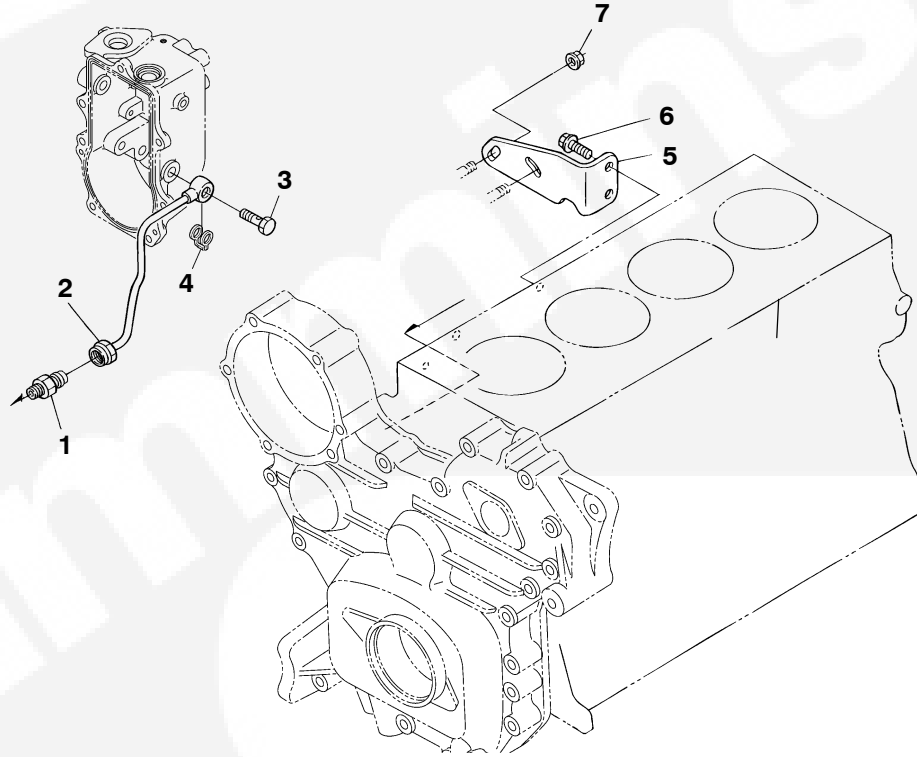


Oil Pan



REF NO.	PART NO.	QTY USED	PART DESCRIPTION	REF NO.	PART NO.	QTY USED	PART DESCRIPTION
1	102-1532	1	Comp, Oil Pan	6	509-0464	1	O'Ring
2	181-9230	1	Plug	7	185-2826	2	Bolt
3	800-6425	20	Bolt, Oil Pan	8	501-0910	1	Hose Assy
4	800-6416	4	Bolt, Flange	9	502-1123	1	Cap, Pipe
5	120-1368	1	Pickup, Oil	10	120-1365-03	1	Bracket, Oil Drain

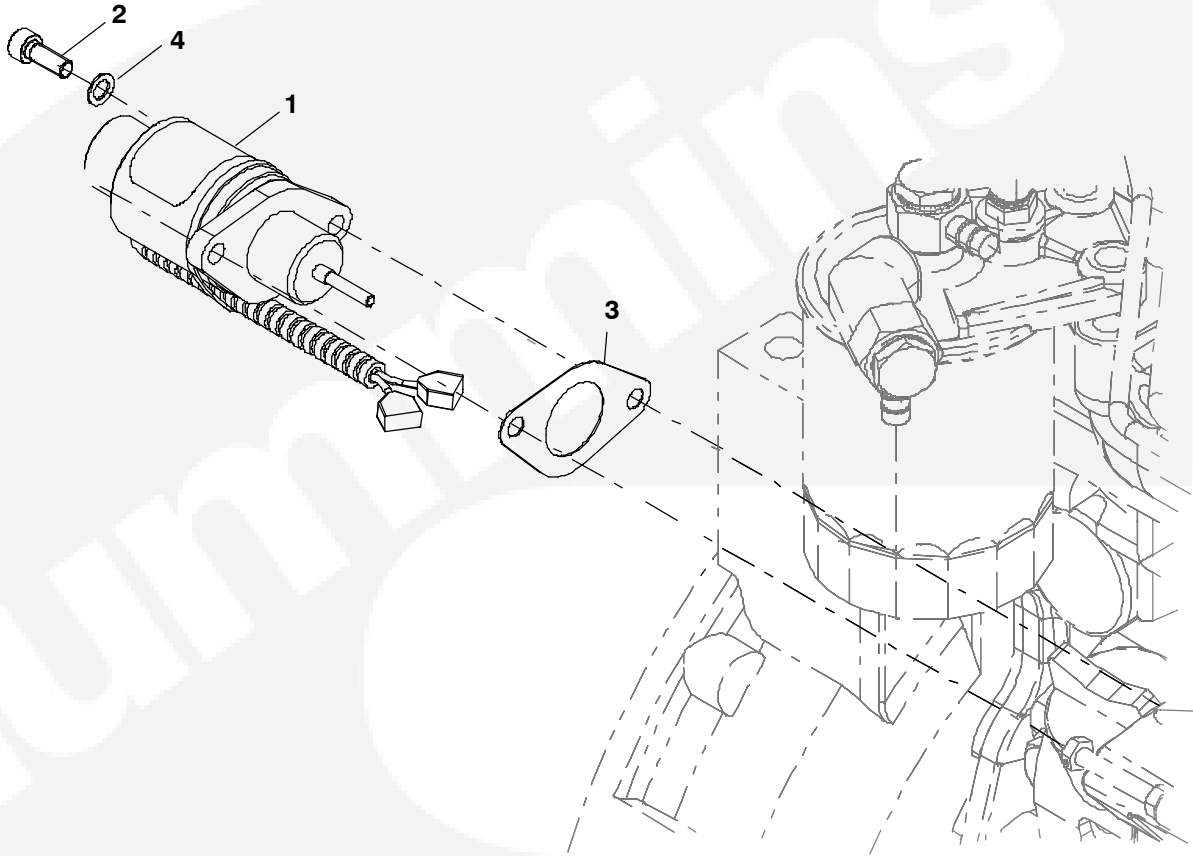
Governor Mounting



REF NO.	PART NO.	QTY USED	PART DESCRIPTION	REF NO.	PART NO.	QTY USED	PART DESCRIPTION
1	502-1603	1	Joint , Union	5	147-0913	1	Bracket, Pump
2	123-2336	1	Assy Pipe I P Oil	6	185-2826	2	Bolt, Flange
3	502-1608	1	Bolt, Eye Joint	7	185-7134	2	Nut, Flange
4	509-0474	1	Gasket				



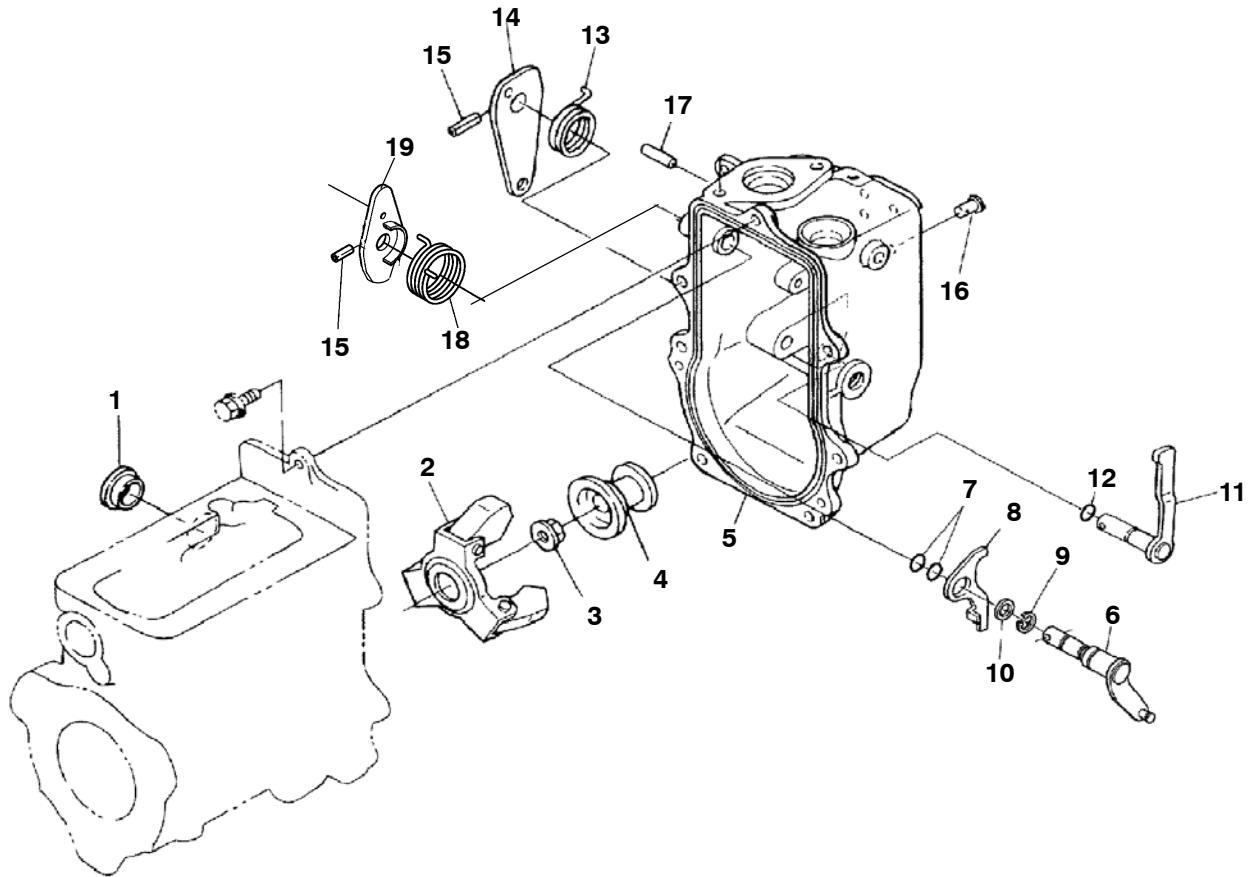
Electronic Governor Actuator



REF NO.	PART NO.	QTY USED	PART DESCRIPTION	REF NO.	PART NO.	QTY USED	PART DESCRIPTION
1	306-5289-01	1	Actuator 12V	3	150-2918	1	Gasket
	306-5289-02	1	24V	4	526-0063	2	Washer, Flat (1/2")
2	725-1028	2	Bolt, Hex Socket Head (M6 x 1 x 20mm)				

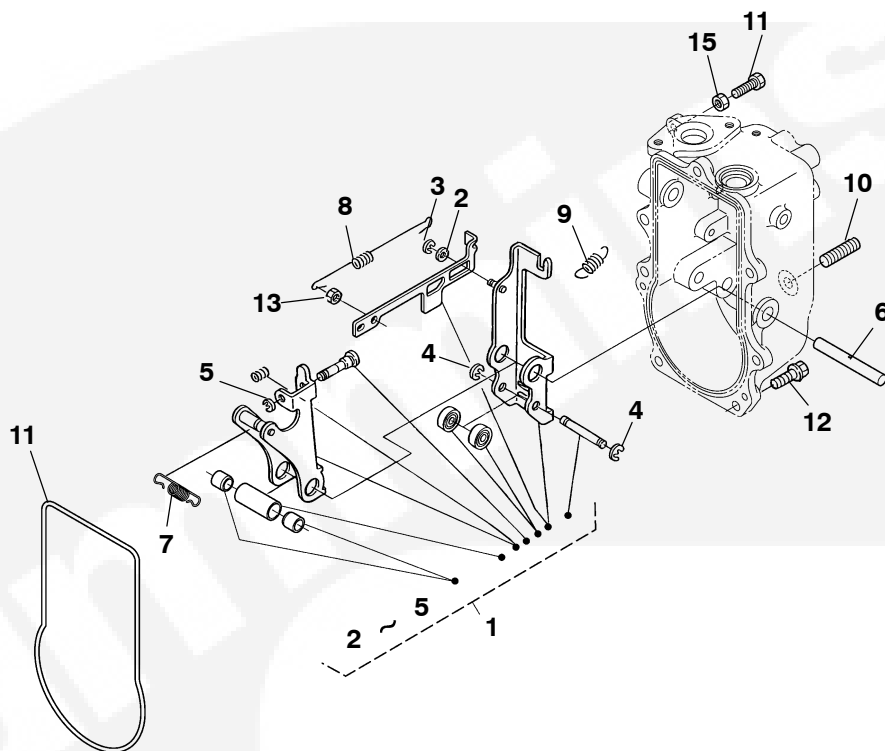


Mechanical Governor



REF NO.	PART NO.	QTY USED	PART DESCRIPTION	REF NO.	PART NO.	QTY USED	PART DESCRIPTION
1	150-2905	1	Cover, Governor Rod	11	150-2902	1	Assy Lever, Engine Stop
2	150-2903	1	Weight, Governor	12	184-0017	1	O'Ring
3	860-2084	1	Nut, Flange	13	506-0049	1	Spring, Return
4	510-0232	1	Sleeve, Governor	14	306-5250	1	Lever, Engine Stop
5	150-2906	1	Housing, Governor	15	516-2120	2	Pin, Spring
6	150-290	1	Assy Lever, Governor	16	516-2113	1	Pin, Start Spring
7	184-0017	2	O'Ring	17	516-2124	1	Pin, Straight
8	306-5251	1	Lever, Stop	18	506-0051	1	Spring
9	518-0765	1	Circular Clip, Ex	19	150-2919	1	Lever, Speed Control
10	185-6025	1	Washer, Rocker Arm Shaft				

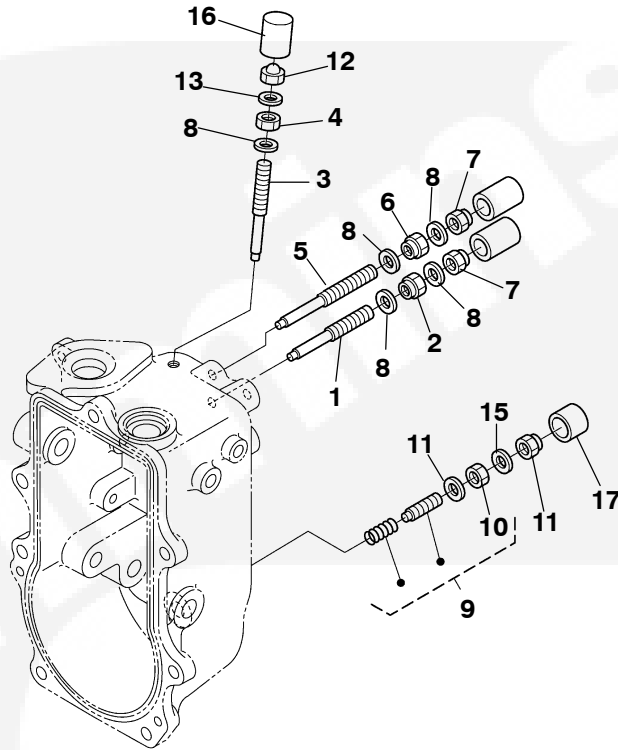
Mechanical Governor Fork Lever



REF NO.	PART NO.	QTY USED	PART DESCRIPTION	REF NO.	PART NO.	QTY USED	PART DESCRIPTION
1	150-2900	1	Assy Fork, Lever (Includes Parts Marked*)	10	185-4146	2	Stud
2	185-5145	1	*Washer, Plain	11	150-2904	1	Gasket, Governor Housing
3	518-0763	1	*Circular Clip Ex	12	800-6305	7	Bolt, Flange
4	185-2977	2	*Circular Clip Ex	13	860-2087	1	Nut, Lock
5	185-7090	1	*Circular Clip Ex	14	181-9205	1	Bolt
6	150-2907	1	Shaft, Fork Lever	15	181-9013	1	Nut
7	506-0047	1	Spring, Governor				
8	506-0046	1	Spring, Start				
9	506-0045	1	Spring, Stop Lever				

* - All parts marked included in Assembly.

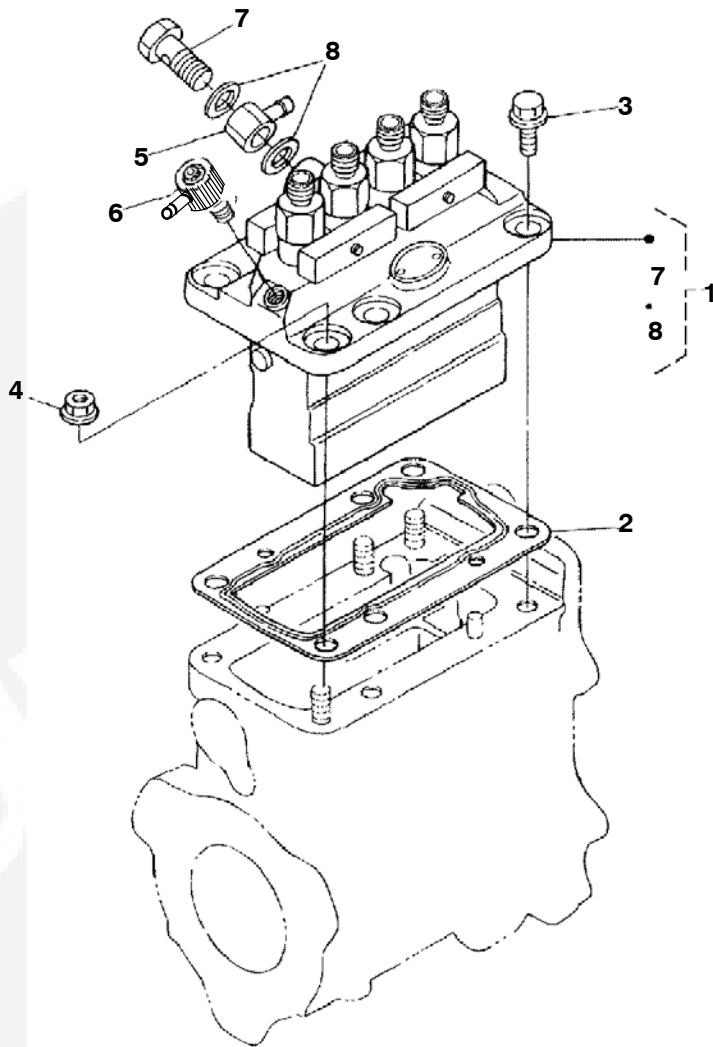
Mechanical Governor Adjusting Bolt



REF NO.	PART NO.	QTY USED	PART DESCRIPTION	REF NO.	PART NO.	QTY USED	PART DESCRIPTION
1	150-2910	1	Bolt Adjusting	10	185-2180	1	Nut
2	185-6931	1	Nut, Locking	11	185-2338	1	Gasket
3	150-2909	1	Bolt, Adjusting	12	860-2075	1	Nut
4	185-6484	1	Nut	13	185-2284	1	Gasket
5	150-2908	1	Bolt, Adjusting	14	185-5681	1	Nut
6	185-6931	1	Nut, Locking	15	185-2338	1	Gasket
7	860-2075	2	Nut	16	185-6930	1	Cap
8	185-2284	5	Gasket	17	185-5682	1	Cap
9	800-6404	1	Bolt Assy, Adjustment				

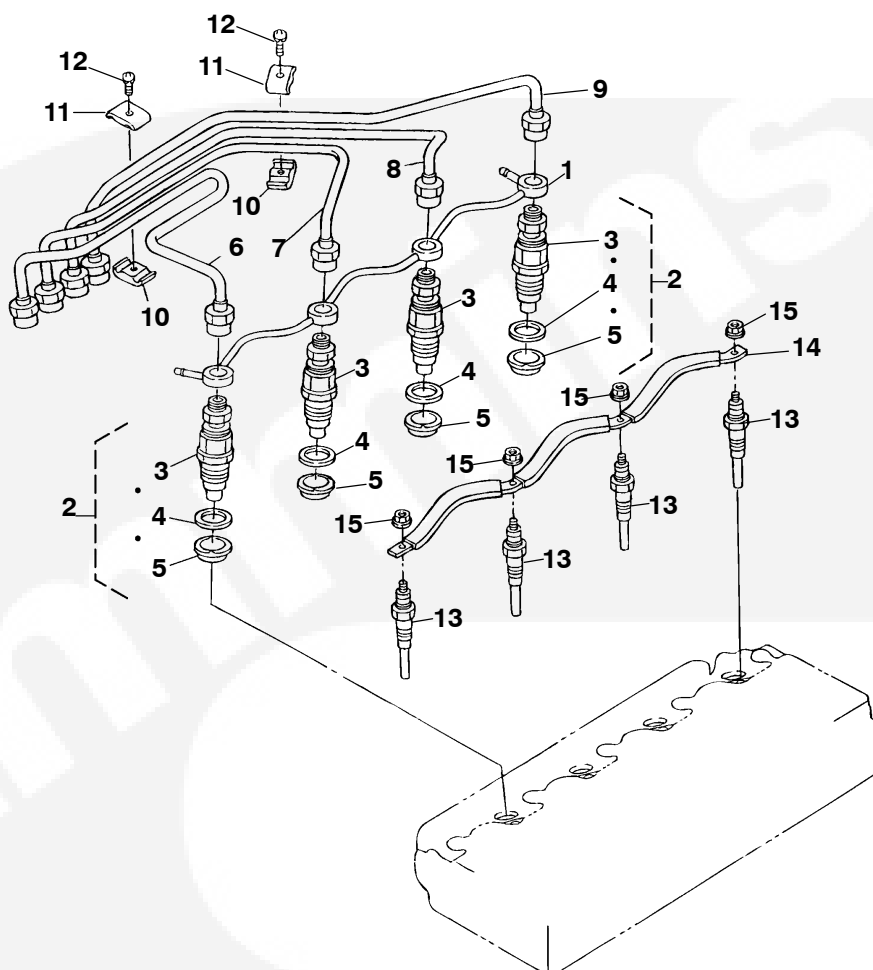


Injection Pump

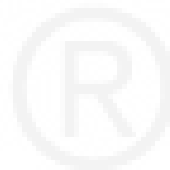


REF NO.	PART NO.	QTY USED	PART DESCRIPTION	REF NO.	PART NO.	QTY USED	PART DESCRIPTION
1	147-0907	1	Pump, Injection	5	185-5980	1	Joint, Eye
2	147-0910	1	Shim	6	505-2258	1	Pipe, Adapter
3	800-6410	3	Bolt, Flange	7	502-1609	1	Screw, Hollow
4	185-7134	3	Bolt	8	185-6154	1	Gasket

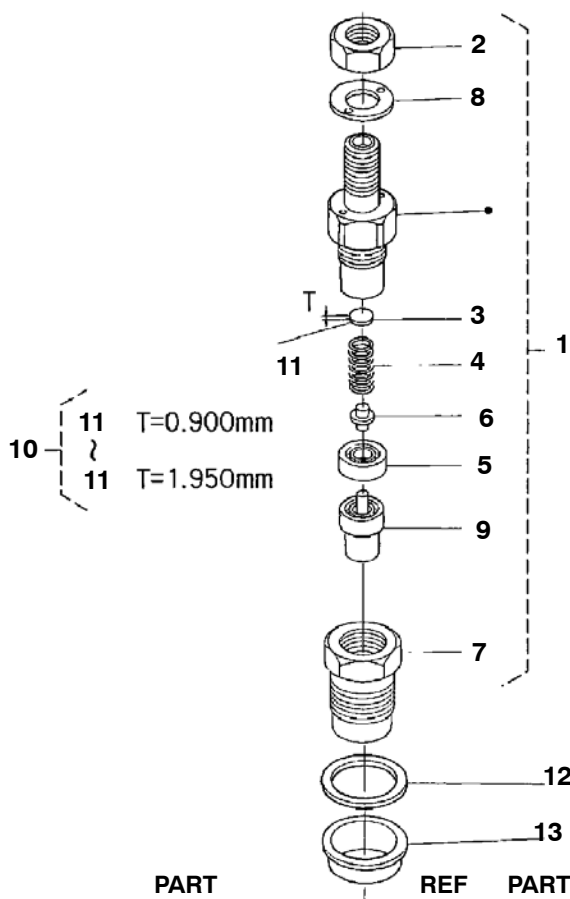
Fuel Injection



REF NO.	PART NO.	QTY USED	PART DESCRIPTION	REF NO.	PART NO.	QTY USED	PART DESCRIPTION
1	501-0981	1	Assy Pipe, Over Flow	10	185-5612	3	Clamp, Pipe
2	147-0909	4	Kit, Holder Nozzle	11	185-5613	3	Clamp, Pipe
3	147-0905	4	Assy Holder, Nozzle	12	185-2385	3	Screw, with Washer
4	185-5337	4	Gasket	13		4	Plug, Glow
5	185-5985	4	Seal, Heat		333-0745	4	12V
6	501-0982	1	Pipe, Injection		333-0746	4	24V
7	501-0983	1	Pipe, Injection	14	337-3926	1	Cord, Glow Plug
8	501-0984	1	Pipe, Injection	15	185-5615	4	Nut, Flange
9	501-0985	1	Pipe, Injection				

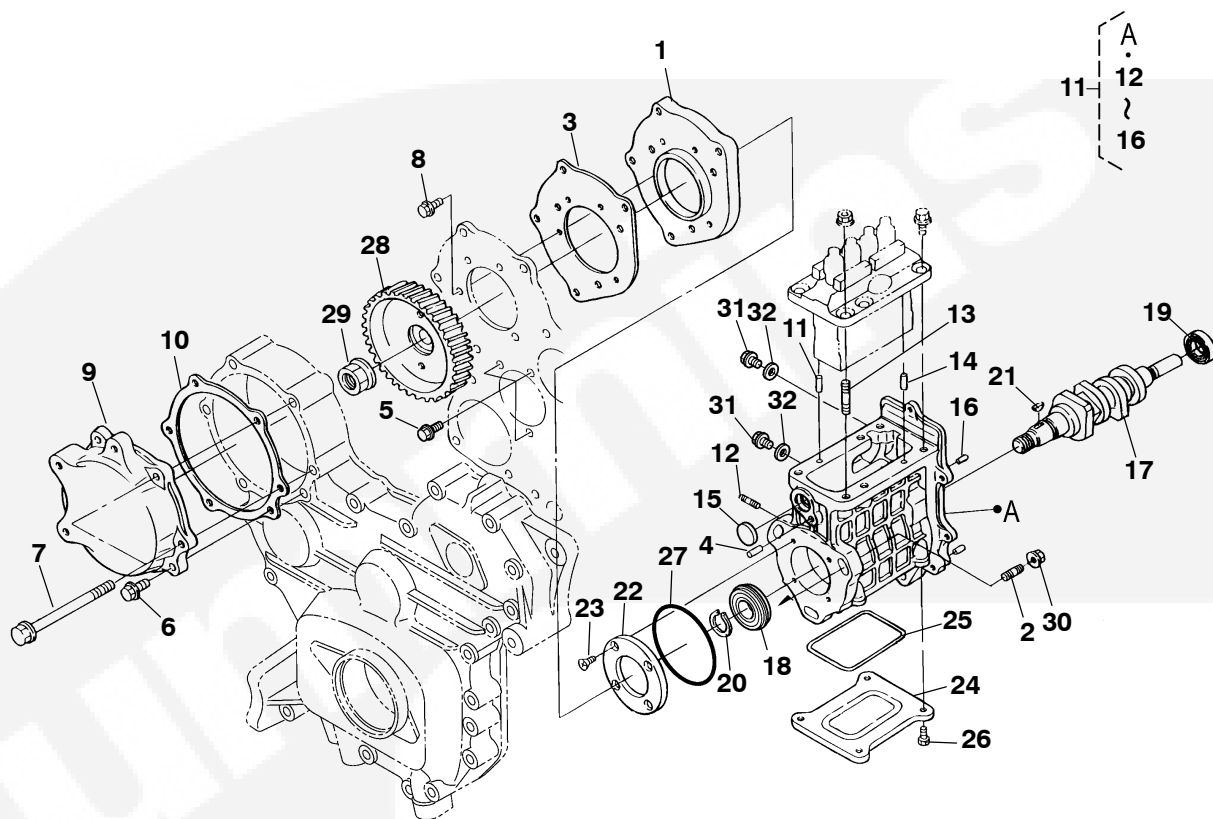


Nozzle Holder



REF NO.	PART NO.	QTY USED	PART DESCRIPTION	REF NO.	PART NO.	QTY USED	PART DESCRIPTION
	147-0909	4	Kit Holder, Nozzle (Includes Assembly, Gasket and Heat Seal)	185-5380		4	1.300mm
1	147-0905	4	Assy Holder, Nozzle	185-5381		4	1.325mm
2	185-5616	4	Nut	185-5382		4	1.350mm
3	185-5364	4	Washer, Adjusting	185-5383		4	1.375mm
4	506-0048	4	Spring, Nozzle	185-5384		4	1.400mm
5	185-5618	4	Piece, Distance	185-5385		4	1.425mm
6	185-5619	4	Push, Rod	185-5386		4	1.450mm
7	185-6825	4	Nut, Nozzle	185-5387		4	1.475mm
8	185-5621	4	Washer	185-5388		4	1.500mm
9	147-0914	4	Piece, Nozzle	185-5389		4	1.525mm
10	185-5363	4	Assy Washer, Adjust	185-5391		4	1.575mm
11			Washer, Adjusting	185-5392		4	1.600mm
	185-5364	4	0.900mm	185-5393		4	1.625mm
	185-5365	4	0.925mm	185-5394		4	1.650mm
	185-5366	4	0.950mm	185-5395		4	1.675mm
	185-5367	4	0.975mm	185-5396		4	1.700mm
	185-5368	4	1.000mm	185-5397		4	1.725mm
	185-5369	4	1.025mm	185-5398		4	1.750mm
	185-5370	4	1.050mm	185-5399		4	1.775mm
	185-5371	4	1.075mm	185-5400		4	1.800mm
	185-5372	4	1.100mm	185-5401		4	1.825mm
	185-5373	4	1.125mm	185-5402		4	1.850mm
	185-5374	4	1.150mm	185-5403		4	1.875mm
	185-5375	4	1.175mm	185-5404		4	1.900mm
	185-5376	4	1.200mm	185-5405		4	1.925mm
	185-5377	4	1.225mm	185-5406		4	1.950mm
	185-5378	4	1.250mm	12	185-5337	4	Gasket
	185-5379	4	1.275mm	13	185-5985	4	Seal, Heat

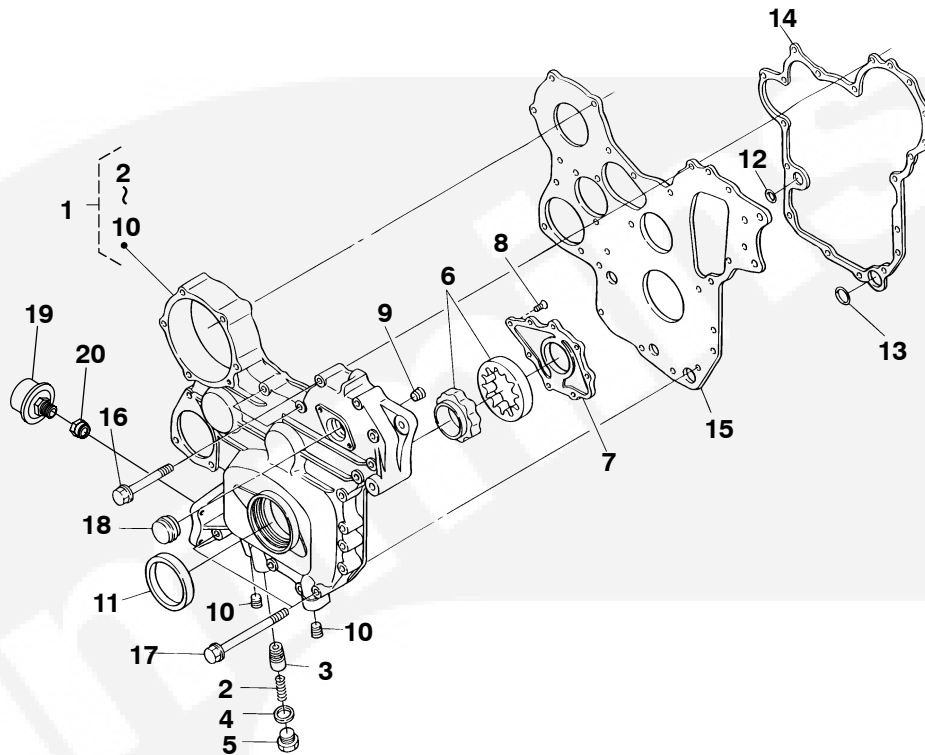
Injection Pump Housing



REF NO.	PART NO.	QTY USED	PART DESCRIPTION	REF NO.	PART NO.	QTY USED	PART DESCRIPTION
1	147-0911	1	Base, Injection Pump	18	510-0240	1	Bearing, Ball
2	520-2678	3	Stud	19	185-4710	1	Bearing, Ball
3	103-0839	1	Gasket, Injection Pump Base	20	185-2370	1	Circular Clip, External
4	185-3082	1	Pin, Straight	21	185-2759	1	Key, Woodruff
5	185-2826	3	Bolt, Flanged	22	510-0233	1	Stopper, Fuel Camshaft
6	800-6410	1	Bolt, Flanged	23	814-2158	4	Screw, Counter Sunk
7	800-6414	5	Bolt, Flanged	24	149-2818	1	Cover, Fuel Camshaft
8	800-6408	3	Bolt, Flanged	25	149-2820	1	Gasket, Shaft Cover
9	103-0837	1	Cover, Injection Pump	26	185-0753	4	Bolt
10	103-0838	1	Gasket, Injection Pump Cover	27	147-0908	1	Gasket, Injection Pump
11	147-0912	1	Housing Assy, Injection Pump (Includes Part Marked *)	28	507-0019	1	Gear, Injection Pump
12	185-7425	2	*Stud	29	860-2088	1	Nut, UBS
13	185-6048	3	*Stud	30	185-7134	3	Nut, Flanged
14	185-2350	2	*Pin, Straight	31	185-2826	2	Bolt, Flanged
15	517-0405	1	*Plug, Injection Pump Housing	32	185-2338	2	Gasket
16	516-2119	2	*Pin, Straight				
17	105-0747	1	Camshaft, Fuel				

* - All Parts Included in Injection Pump Housing Assembly.

Gearcase

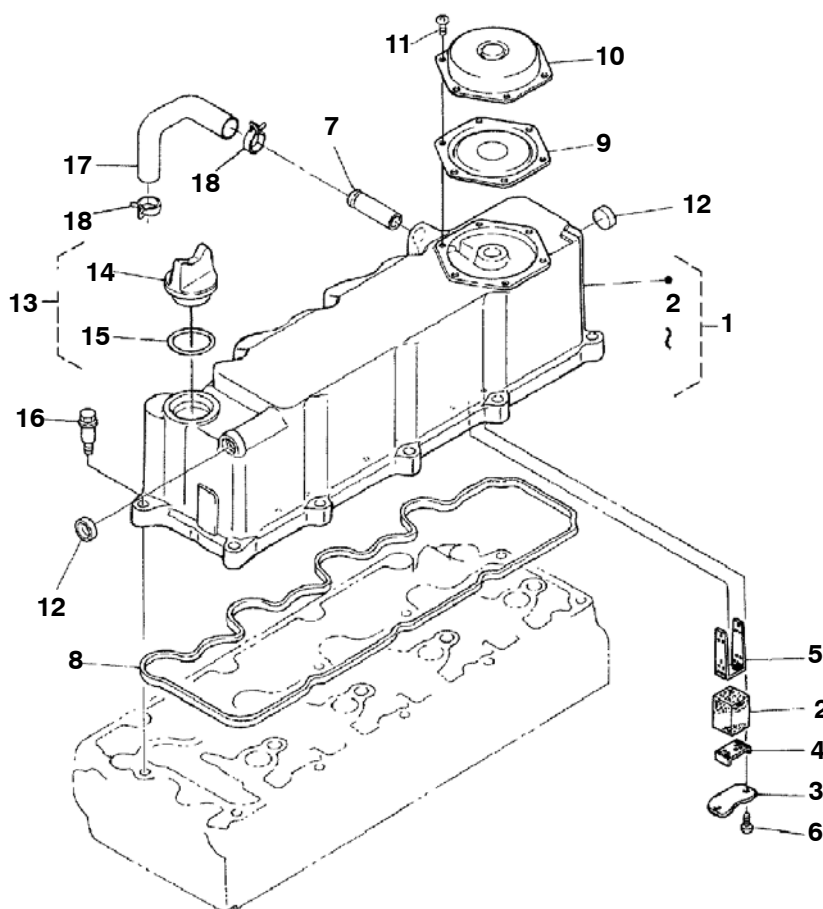


REF NO.	PART NO.	QTY USED	PART DESCRIPTION	REF NO.	PART NO.	QTY USED	PART DESCRIPTION
1	103-0836	1	Assy Case, Gear	14	101-0849	1	Gasket, Crankcase
2	506-0042	1	Spring	15	319-6748	1	Plate, Gear Case
3	504-0309	1	*Valve, Relief	16	800-6335	13	Bolt, Flange
4	185-5495	1	*Gasket	17	800-6414	2	Bolt, Flange
5	505-2384	1	*Plug	18	185-7216	1	Cover, Gear Case
6	120-1366	1	*Assy Rotor, Oil Pump	19			Sender, Oil Pressure
7	120-1367	1	*Cover, Oil Pump		193-0244	1	Neg Gnd
8	814-2158	8	*Screw, Countersunk		193-0430-01	1	ISO Gnd
9	505-2380	1	*Plug	20	502-0029-03	1	Bushing, Reducer
10	505-2383	2	Plug				
11	509-0461	1	Seal, Oil				
12	509-0463	1	O'Ring				
13	509-0465	1	O'Ring				

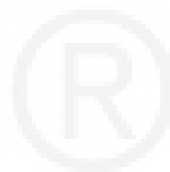
* - Parts Included in Gearcase Assy



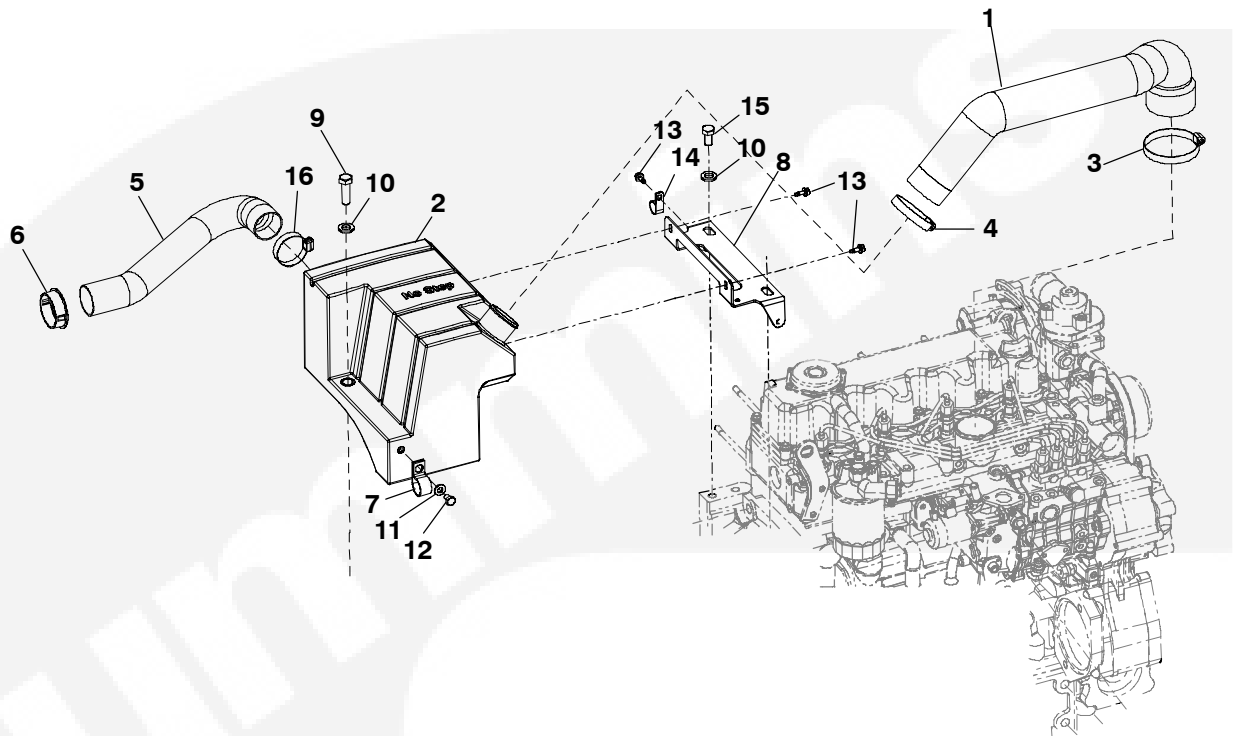
Cylinder Head Cover



REF NO.	PART NO.	QTY USED	PART DESCRIPTION	REF NO.	PART NO.	QTY USED	PART DESCRIPTION
1	115-0523	1	Cover, Cylinder Head	10	123-2333	1	Cover, Breather
2	123-2327	3	Element, Breather	11	819-1171	6	Screw, Pan Head
3	123-2334	3	Shield, Breather	12	517-0402	2	Cap, Sealing
4	123-2337	3	Plate, Breather Element	13	123-2328	1	Assy Plug, Oil Filler
5	123-2338	3	Plate, Breather Element	14	123-2299	1	Plug, Oil Filler
6	819-1170	6	Screw, Pan Head	15	509-0414	1	O'Ring
7	185-6499	1	Joint, Breather Pipe	16	800-6403	10	Bolt
8	115-0525	1	Gasket, Head Cover	17	123-2335	1	Tube, Breather
9	123-2332	1	Comp., Valve Breather	18	503-2901	2	Band, Pipe

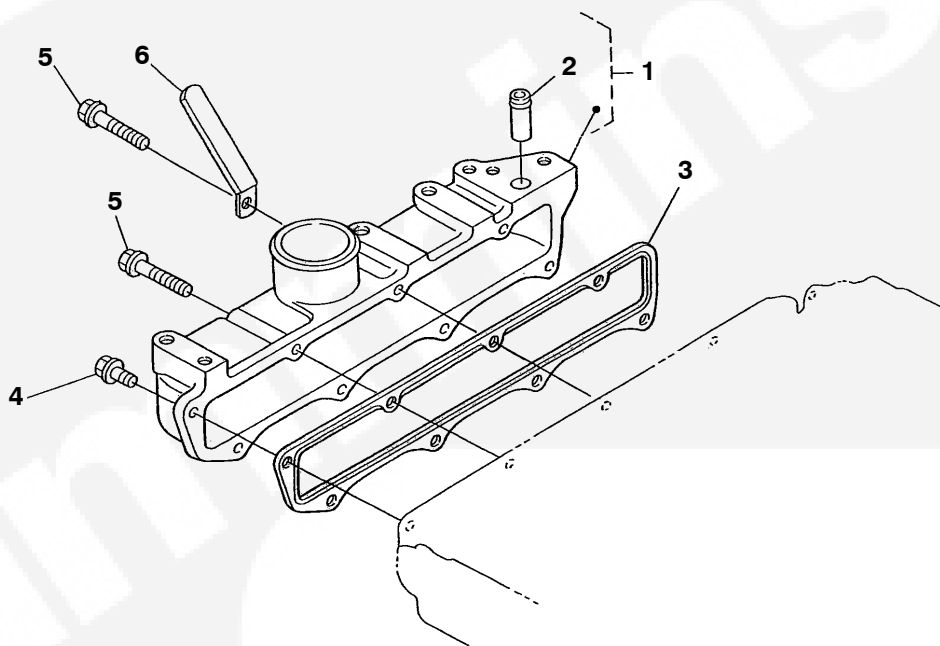


Intake



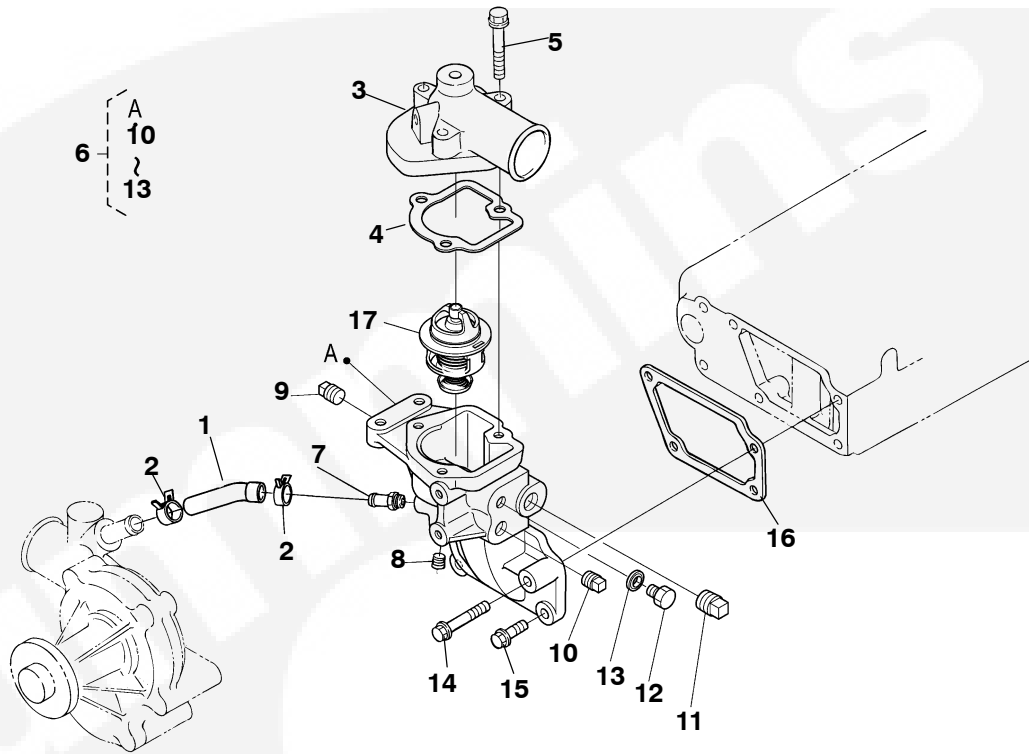
REF NO.	PART NO.	QTY USED	PART DESCRIPTION	REF NO.	PART NO.	QTY USED	PART DESCRIPTION
1	503-2782	1	Hose, Intake	12	800-3017-17	1	Screw, Hex Head Cap (M8 x 1.25 x 12mm)
2	140-3998	1	Resonator, Air Intake	13	800-6395-01	4	Screw, Hex Head SEMS (M6 x 1.0 x 16mm)
3	503-1144	1	Clamp, Hose	14	518-0720	2	Clamp, Loop (3/4")
4	503-1142	1	Clamp, Hose	15	800-3025-01	2	Screw, Hex Head Cap (M12 x1.25 x 20mm)
5	503-2846-01	1	Hose, Intake	16	503-1139	1	Clamp, Hose
6	508-1278	1	Bushing (Nylon)				
7	518-0548-35	1	Clamp, Hose				
8	140-4025-03	1	Bracket, Air Silencer				
9	800-0092-01	1	Screw, Hex Head Cap (1/2-13NC x1.5mm)				
10			Washer, Flat (M12)				
	526-0399-64	19	MDKBT and MDKBU				
	526-0399-64	11	MDKBT and MDKBU W/PTO				
11	526-0399-41	1	Washer, Flat DAC				

Intake Manifold

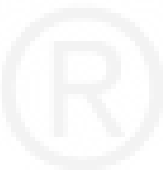


REF NO.	PART NO.	QTY USED	PART DESCRIPTION	REF NO.	PART NO.	QTY USED	PART DESCRIPTION
1	154-3232	1	Assy Manifold, Intake	4	800-6333	5	Bolt, Flange
2	185-6499	1	Joint, Breather	5	800-6413	3	Bolt, Flange
3	154-3225	1	Gasket	6	518-0771	1	Clamp, Cord

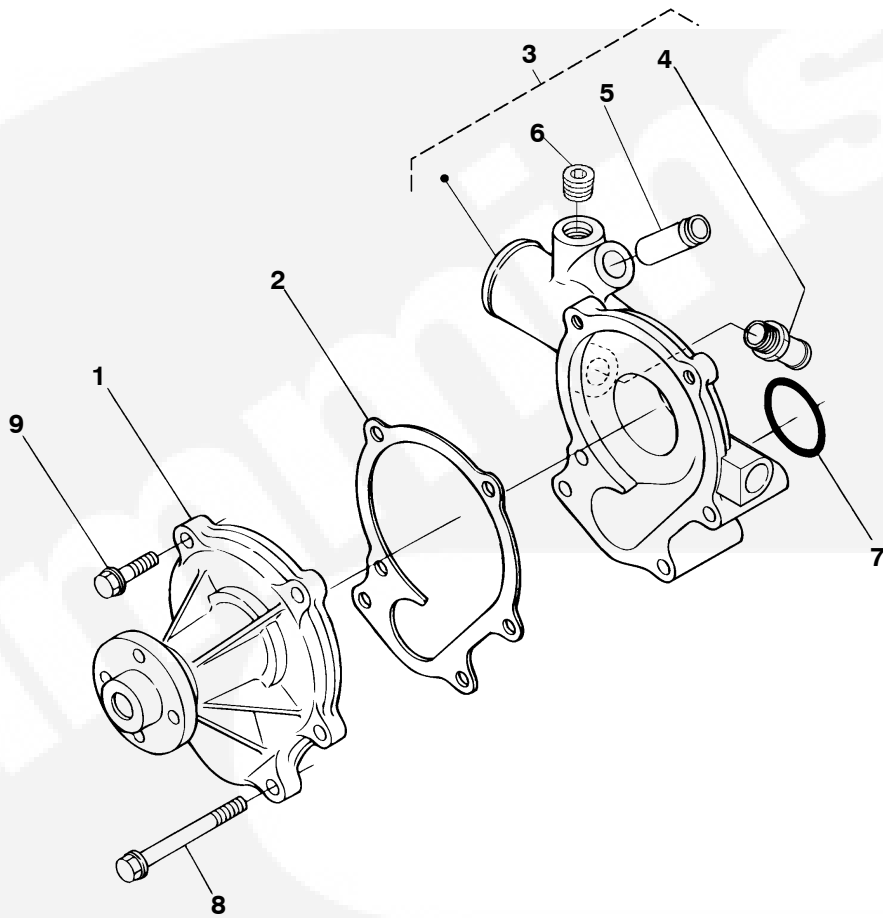
Water Outlet Flange



REF NO.	PART NO.	QTY USED	PART DESCRIPTION	REF NO.	PART NO.	QTY USED	PART DESCRIPTION
1	503-2905	1	Pipe, Water Return	10	185-5826	1	Plug
2	185-6722	2	Clamp, Hose	11	505-2378	1	Plug
3	130-7417	1	Cover, Thermostat	12	505-2381	1	Plug, Drain
4	130-7354	1	Gasket	13	185-2343	1	Gasket
5	800-6411	3	Bolt, Flange	14	110-3896	1	Bolt, Flange
6	130-7416	1	Comp. Flange, Water	15	800-6410	3	Bolt, Flange
7	502-1604	1	Joint, Water Pipe	16	130-7361	1	Gasket, Water Flange
8	505-2379	1	Plug	17	130-7355	1	Assy Thermostat
9	185-6481	1	Plug				



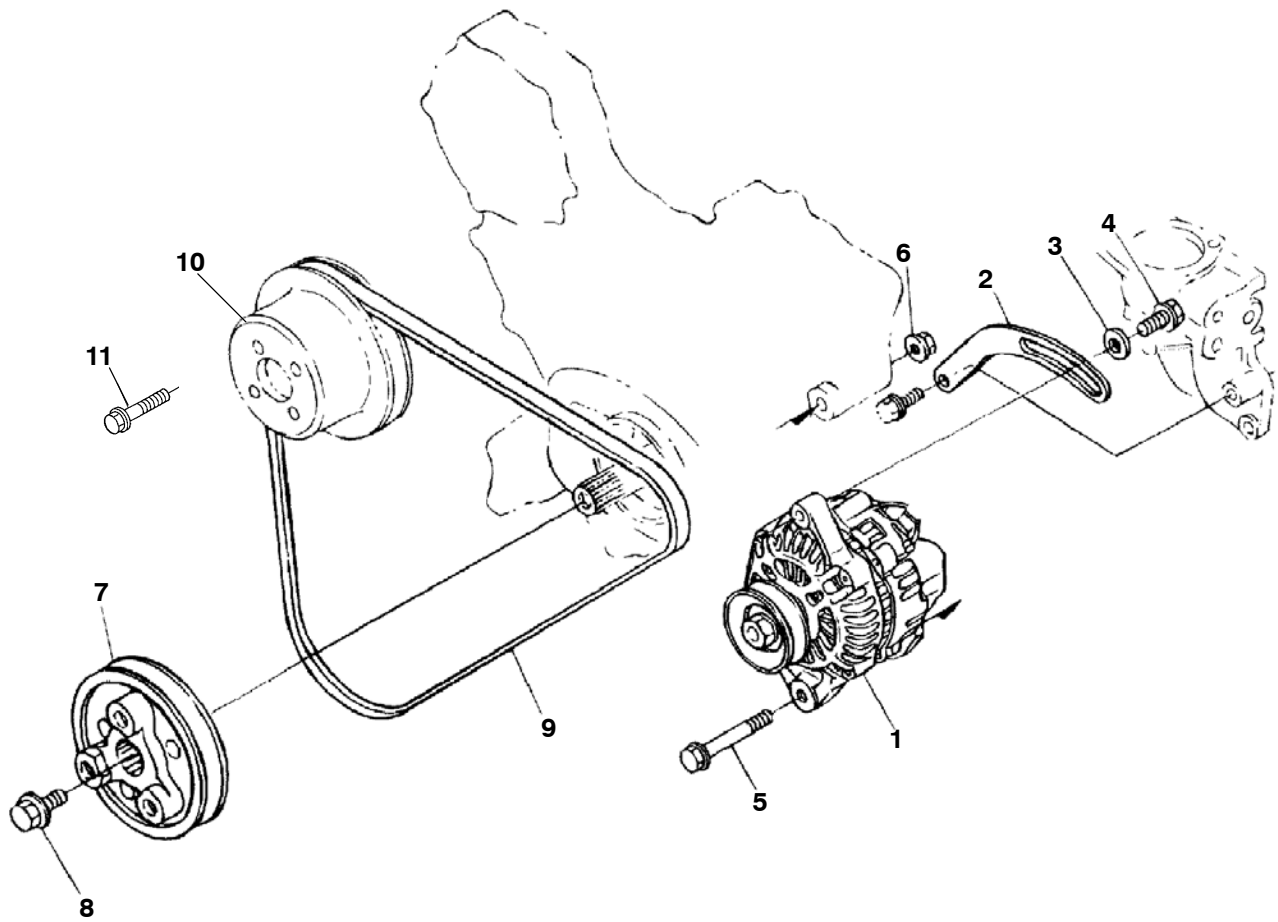
Water Pump Components



REF NO.	PART NO.	QTY USED	PART DESCRIPTION	REF NO.	PART NO.	QTY USED	PART DESCRIPTION
1	132-0485	1	Pump Assy., Water (Includes Cover, Seal and Impeller)	5	185-6499	1	*Joint, Breather Pipe
2	132-0486	1	Gasket, Water Pump	6	185-6481	1	*Plug
3	132-0488	1	Support Assy., Water Pump (Includes Parts Marked*)	7	509-0466	1	*O'Ring
4	502-1604	1	*Joint, Water Pipe	8	800-6412	4	Bolt, Flange
				9	800-6334	1	Bolt, Flange

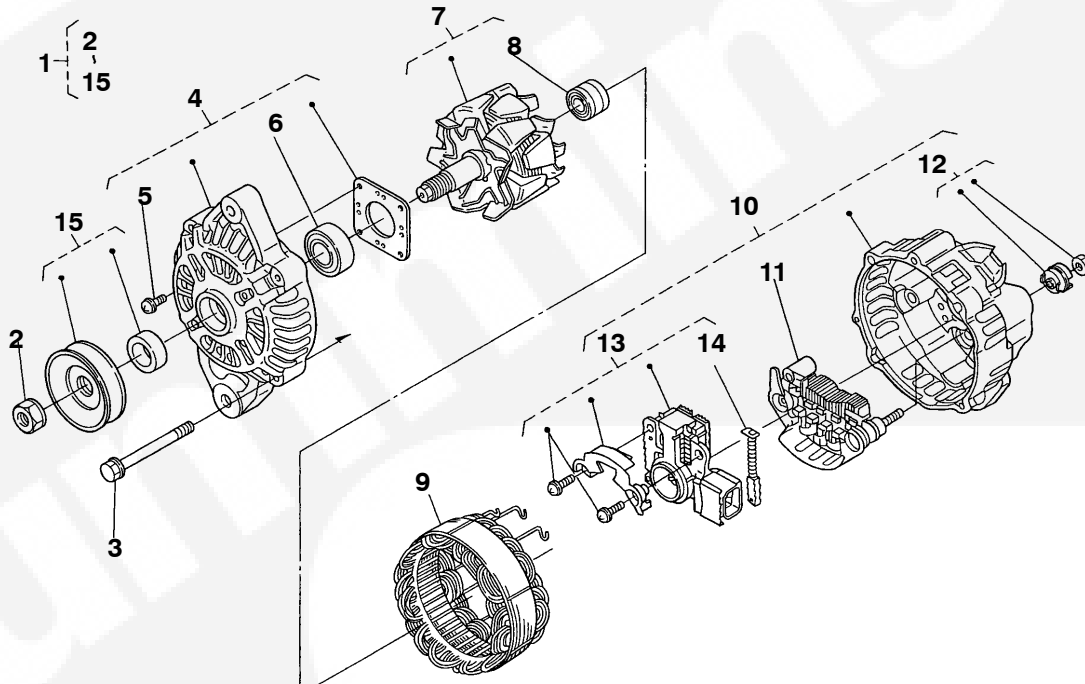


Alternator



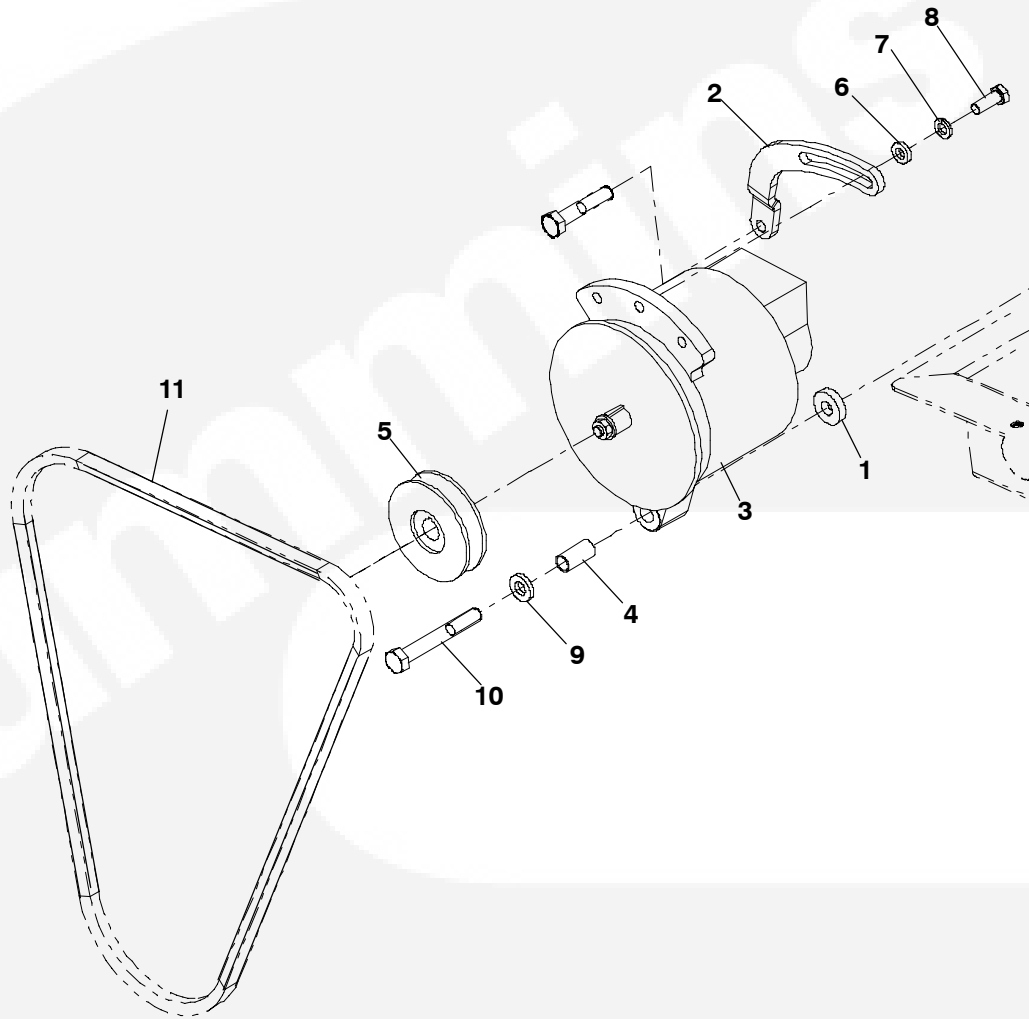
REF NO.	PART NO.	QTY USED	PART DESCRIPTION	REF NO.	PART NO.	QTY USED	PART DESCRIPTION
1			Alternator, Complete	6	860-2084	1	Nut, Flange
	191-2420	1	12V	7	512-0368	1	Pulley, Fan Drive
	191-2421	1	24V	8	800-6402	1	Bolt
2	191-2427	1	Bracket, Alternator	9	511-0237	1	Belt, V
3	185-6786	1	Washer, Plain	10	512-0369	1	Pulley, Fan
4	800-6410	1	Bolt, Flange	11	185-2826	4	Bolt, Flange
5	800-6421	1	Bolt, Flange				

Alternator Components



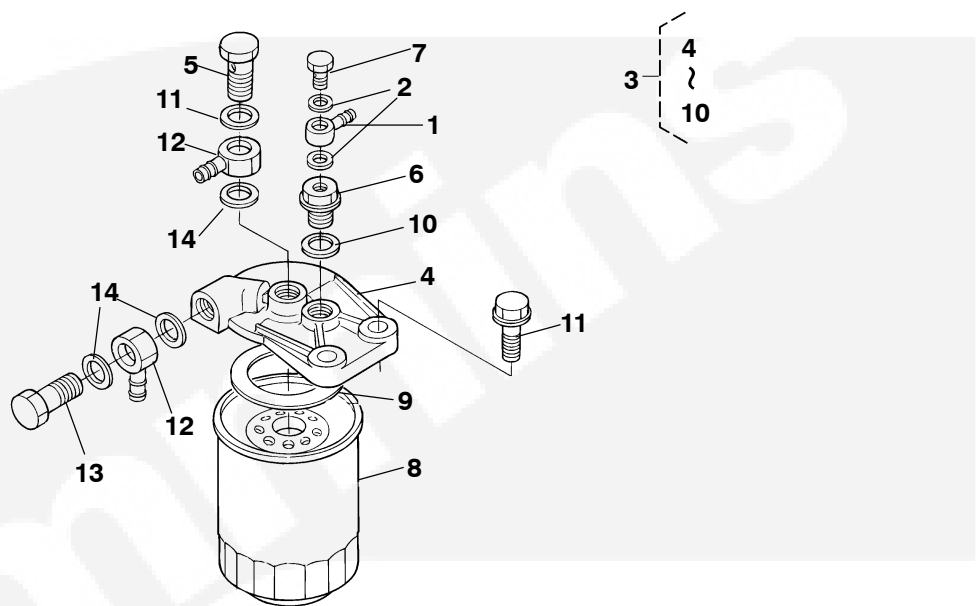
REF NO.	PART NO.	QTY USED	PART DESCRIPTION	REF NO.	PART NO.	QTY USED	PART DESCRIPTION
1			Alternator, Complete (No Components Available)	10			Assy Bracket, Rear
	191-2420	1	12V		191-2437	1	12V
	191-2421	1	24V		191-2438	1	24V
2	860-2082	1	Nut	11			Assy Rectifier
3	800-6427	1	Set, Bolt		357-0156	1	12V
4			Assy Bracket, Front		357-0157	1	24V
	190-2432	1	12V	12	860-2089	1	Set, Nut
	190-2433	1	24V	13			Set, Regulator
5	800-6428	1	Set, Bolt		305-1040	1	12V
6	510-0238	1	Bearing		305-1041	1	24V
7			Assy Rotor	14	191-2446	1	Set, Brush
	201-3655	1	12V	15	512-0367	1	Assy Pulley
	201-3656	1	24V				
8	510-0237	1	Bearing				
9			Assy Stator				
	191-2433	1	12V				
	191-2434	1	24V				

Alternator (ISO Ground)



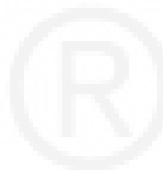
REF NO.	PART NO.	QTY USED	PART DESCRIPTION	REF NO.	PART NO.	QTY USED	PART DESCRIPTION
1	191-2409-02	1	Spacer, Alternator	7	850-0045	1	Washer Split Locking (5/16")
2	191-2410-03	1	Bracket, Alternator	8	800-0027	1	Screw, Hex Head Cap (5/16-18 x .81mm)
3	191-2169-02	1	12V ISO Ground	9	526-0174	1	Washer, Flat (3/4")
	191-2169-01	1	24V ISO Ground	10	800-2096	1	Screw, Hex Head Cap (M10 x 1.5 x 75mm)
4	191-2411	1	Spacer, Alternator	11	511-0237	1	Belt, V
5	191-2170	1	Pulley, Alternator				
6	526-0045	1	Washer, (5/10")				

Fuel Filter

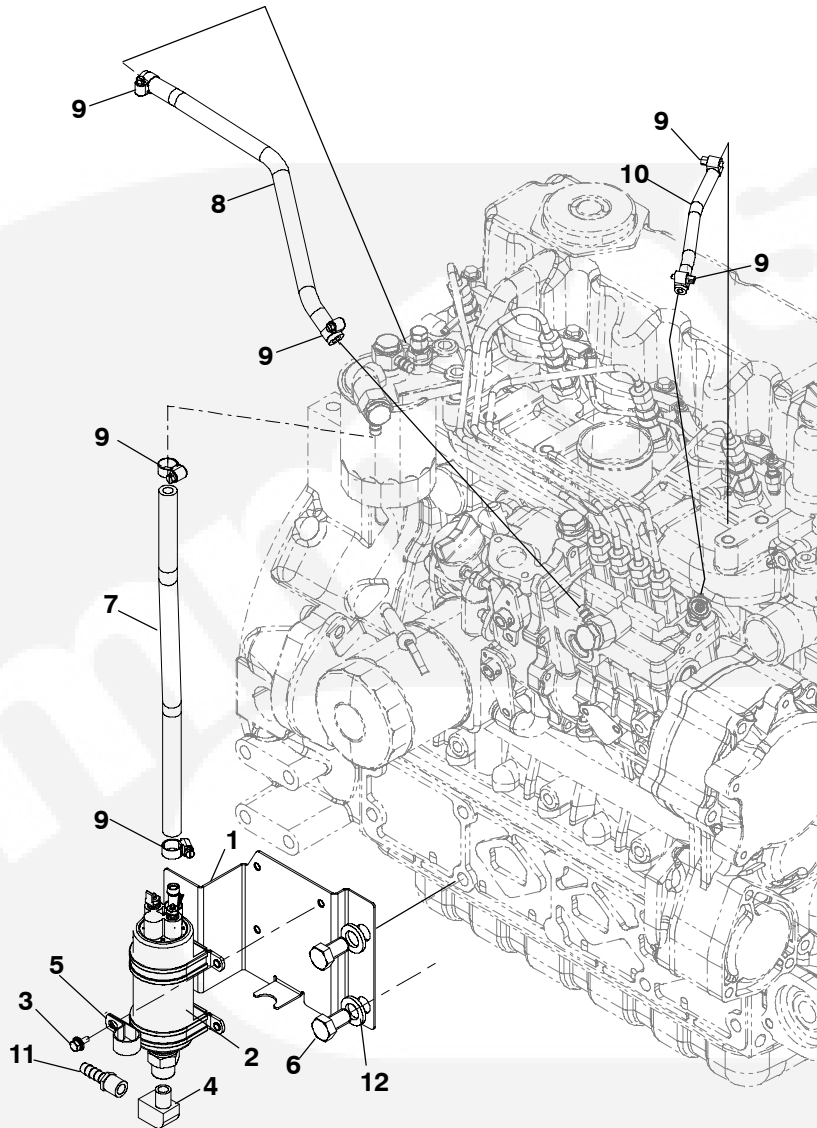


REF NO.	PART NO.	QTY USED	PART DESCRIPTION	REF NO.	PART NO.	QTY USED	PART DESCRIPTION
1	502-1602	1	Joint, Pipe	9	509-0471	1	*Gasket
2	185-2338	2	Gasket	10	509-0472	1	*Gasket
3	149-2819	1	Assy Filter, Fuel (Includes Parts Marked*)	11	800-6418	2	Bolt, Flanged
4	149-2817	1	*Cover	12	185-5980	2	Joint, Eye
5	502-1606	1	*Bolt, Joint	13	502-1606	1	Bolt, Joint
6	502-1599	1	*Connector	14	509-0472	4	Gasket
7	502-1611	1	*Connector				
8	149-2804	1	*Element, Fuel Filter				

* - All parts included in Fuel Filter Assembly.

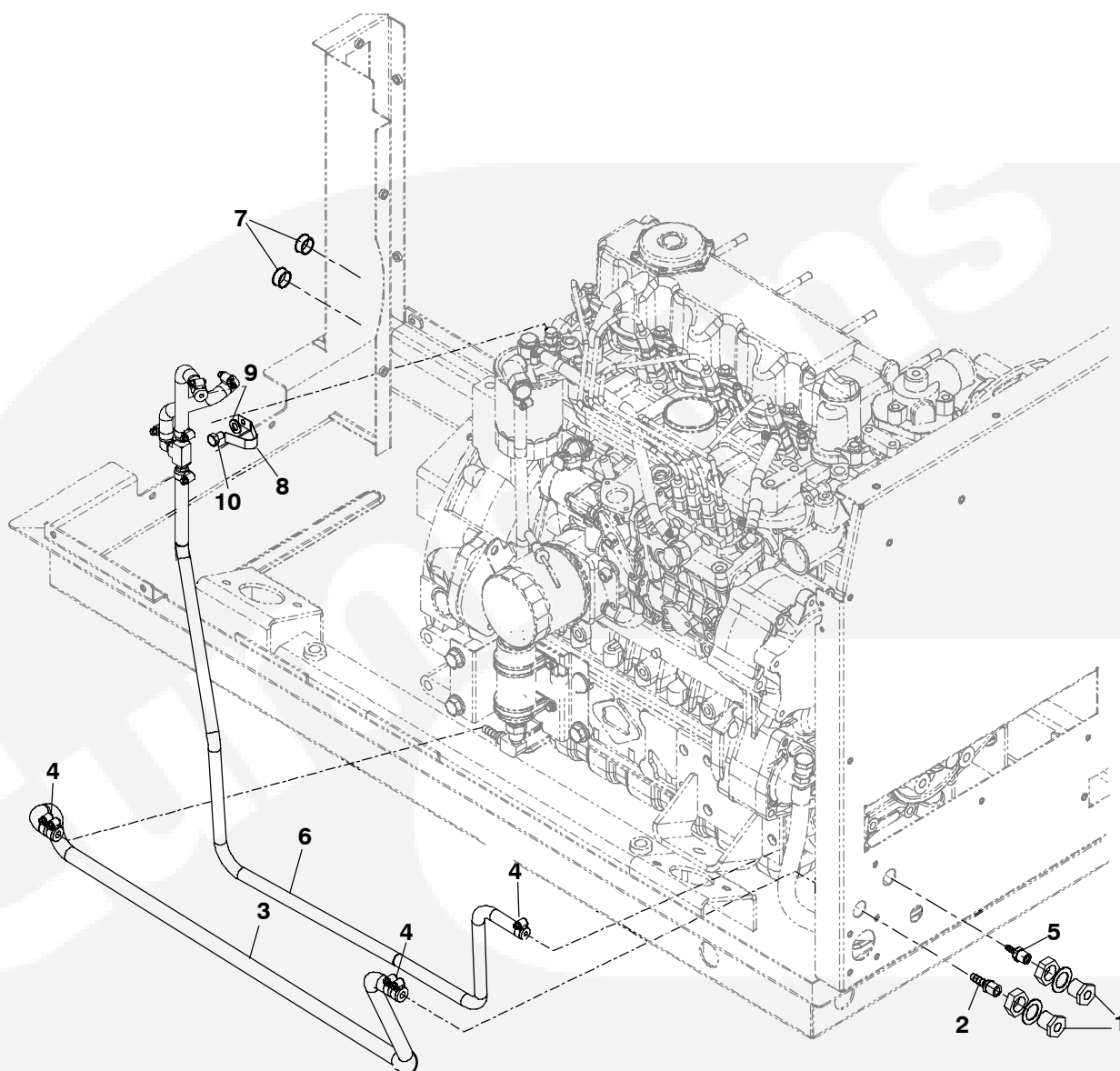


Fuel Supply



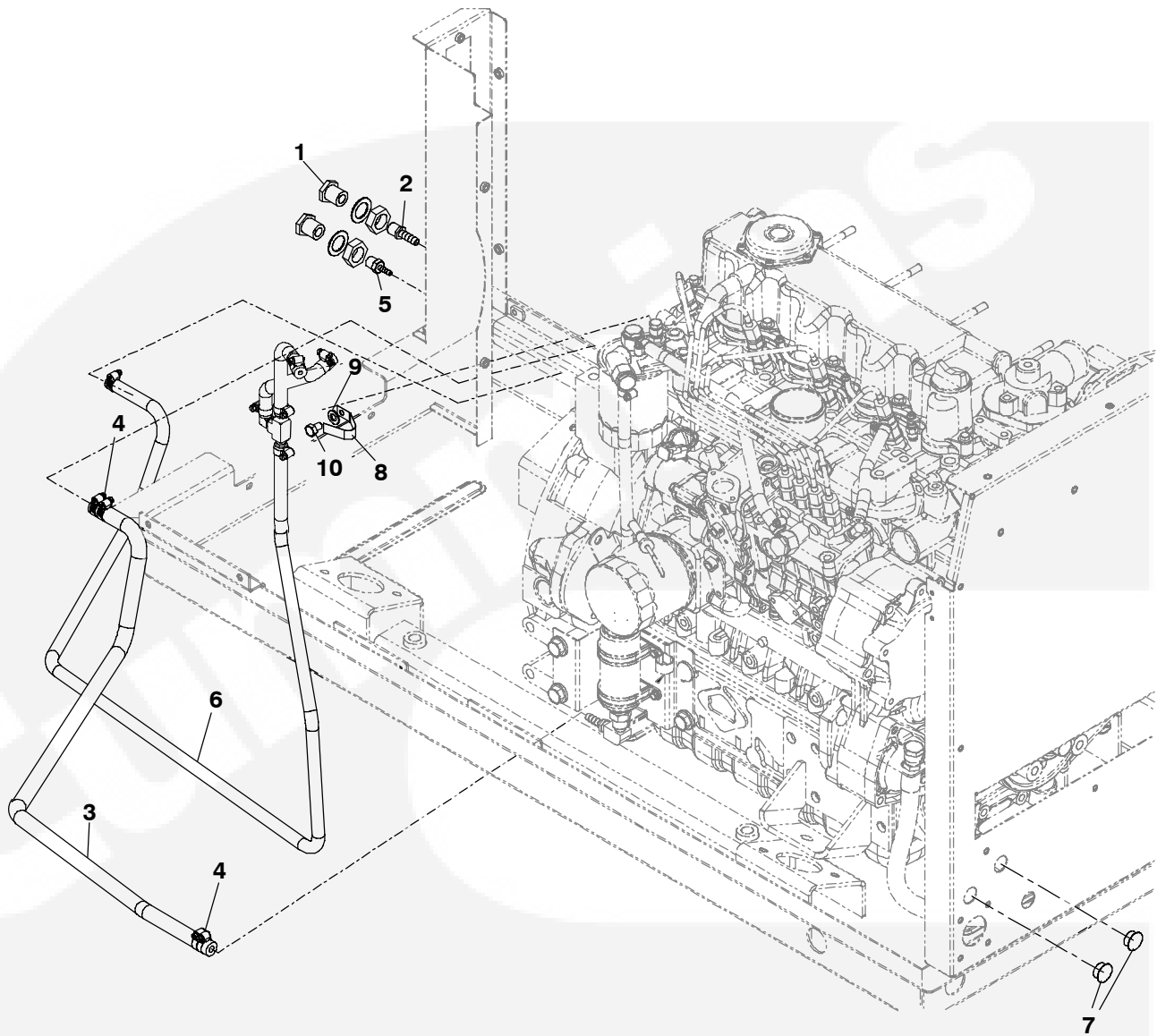
REF NO.	PART NO.	QTY USED	PART DESCRIPTION	REF NO.	PART NO.	QTY USED	PART DESCRIPTION
	149-2654	1	Kit, Adapter Fuel (5/16 ID Hose)	6	800-3025-01	4	Screw, Hex Head Cap (M12 x 1.25 x 20mm)
	149-2645	1	Kit, Fuel Adapter (5/16 ID Hose)	7	503-2788-01	1	Hose, Fuel
	149-2655	1	Kit, Fuel Adapter (3/8 ID Hose)	8	503-2788-02	1	Hose, Fuel
	149-2612	1	Kit, Fitting Adapter	9	503-2309	6	Clamp, Hose
	149-2073	1	Kit, Fuel Filter	10	503-2787-01	1	Hose, Fuel
1	149-2765-03	1	Bracket, Fuel Pump	11	518-1218	1	Connector, Hose
2	149-2783-01	1	Pump, Electric Fuel 12V	12	526-0399-64	4	Washer, Flat (M12)
	149-2783-02	1	24V				
3	821-6001-02	4	Screw, Hex Head Sems (M5 x 0.8 x 10mm)				
4	502-0054	1	Elbow, Street Pipe				
5	518-0720	1	Clamp, Loop				

Fuel Transfer Lines (Front)



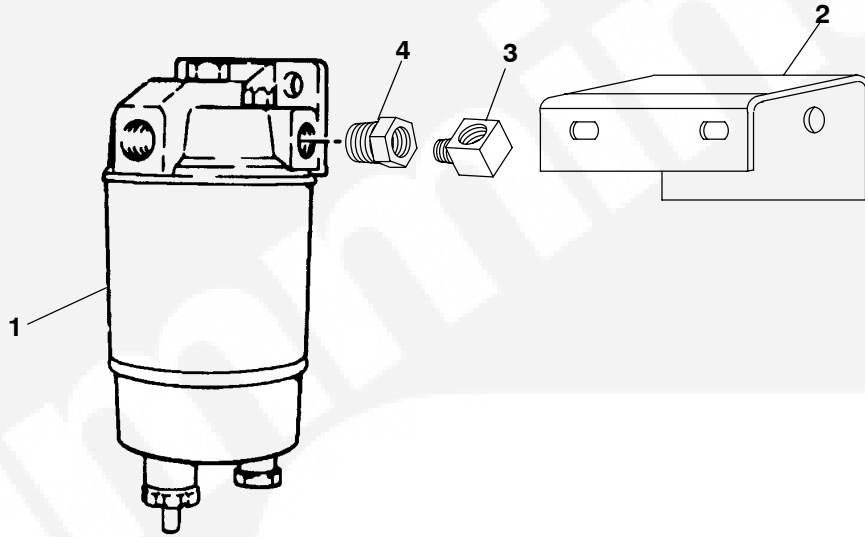
REF NO.	PART NO.	QTY. USED	PART DESCRIPTION	REF NO.	PART NO.	QTY. USED	PART DESCRIPTION
1	502-1133	2	Coupling, Anchor	7	517-0136-01	2	Plug, Hole
2	502-1218	1	Connector, Hose	8	518-0757	1	Clip, Retainer
3	503-2788-03	1	Hose, Fuel	9	526-0366-60	1	Washer, Flat
4	503-2309	4	Clamp, Hose	10	800-3017-17	1	Screw, Hex Head Cap (M8 x 1.25 x 12mm)
5	502-1584	1	Connector, Hose (1/4-NPT x 3/16 Hose)				
6	503-2837-01	1	Hose, Fuel (Return)				

Fuel Transfer Lines (Rear)



REF NO.	PART NO.	QTY. USED	PART DESCRIPTION	REF NO.	PART NO.	QTY. USED	PART DESCRIPTION
1	502-1133	2	Coupling, Anchor	7	517-0136-01	2	Plug, Bulkhead Hole
2	502-1218	1	Connector, Hose	8	518-0757	1	Clip, Retainer
3	503-2788-03	1	Hose, Fuel	9	526-0399-60	1	Washer, Flat
4	503-2309	4	Clamp, Hose	10	800-3017-17	1	Screw, HEx Head Cap (M8 x 1.25 x 12mm)
5	502-1584	1	Connector, Hose (1/4-NPT x 3/16 Hose)				
6	503-2837-01	1	Hose, Fuel (Return)				

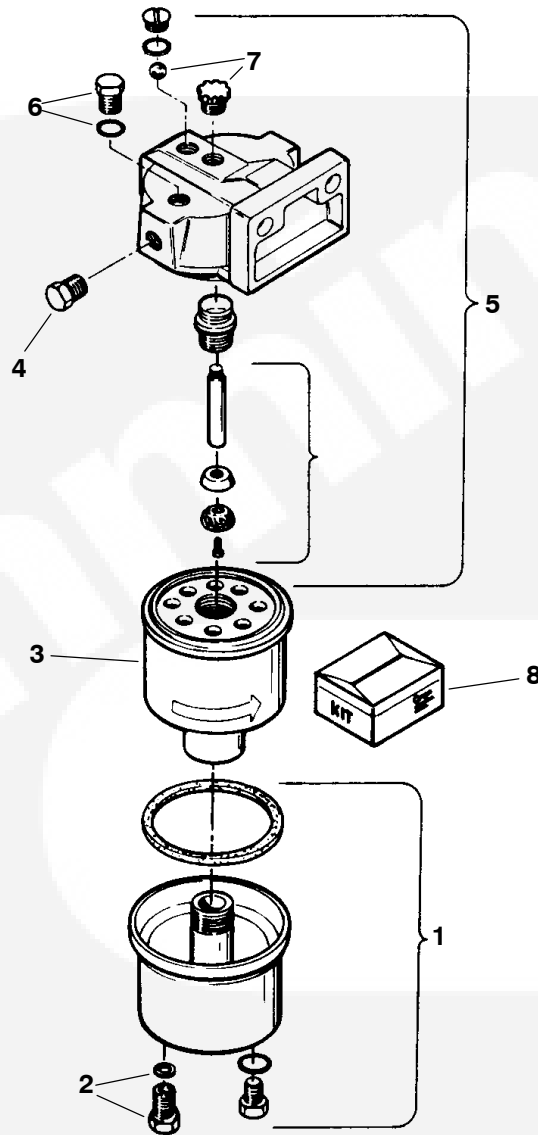
Remote Water Separator



REF NO.	PART NO.	QTY. USED	PART DESCRIPTION	REF NO.	PART NO.	QTY. USED	PART DESCRIPTION
	149-2073	1	Kit, Remote Fuel/Water Separator	3	502-0020	1	Elbow, Street 90Degrees
1	149-1908-05	1	Separator, Fuel/Water (See Separate Page for Components)	4	502-0029	2	Bushing, Pipe
2	149-2041-03	1	Bracket, Separator Mounting	* - All Parts Included In Kit.			

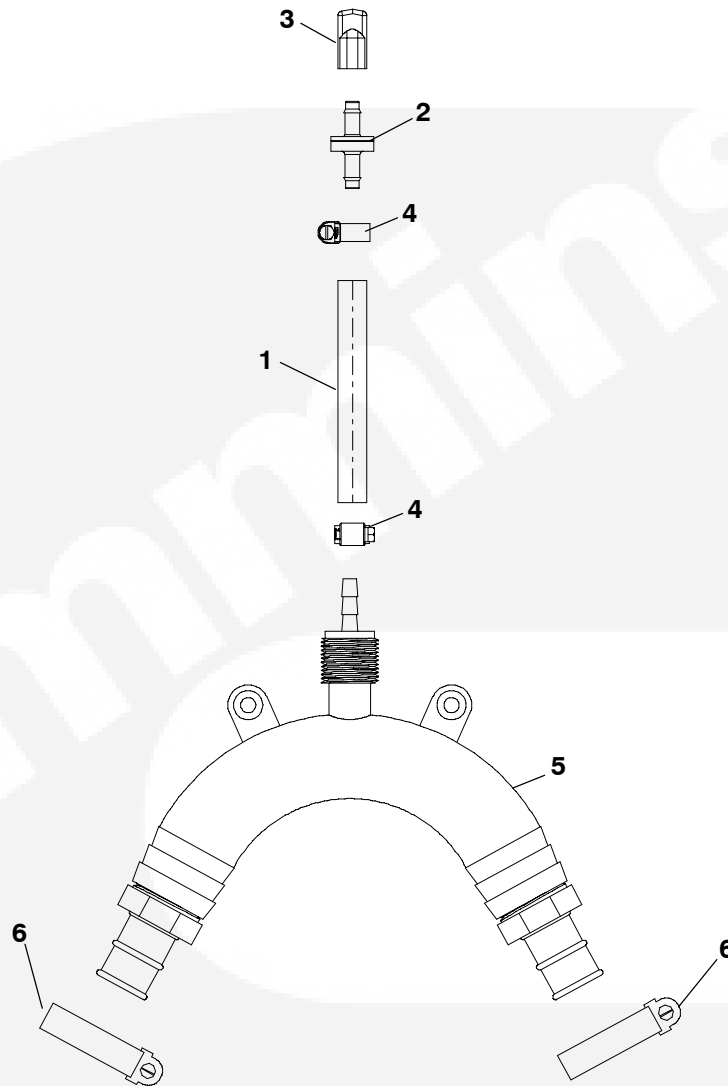


Water Separator Components



REF NO.	PART NO.	QTY USED	PART DESCRIPTION	REF NO.	PART NO.	QTY USED	PART DESCRIPTION
	149-1908-05	1	Kit Separator, Water	6	149-1952	1	Plug, Vent (Includes O-Ring)
1	149-2046	1	Kit, Metal Bowl Replacement (Includes Plug, O-Rings and Drain Assy)	7	149-2047	1	Pump Assy (Includes Plunger, Retainer, Shaft, Check Ball, Knob and Screw)
2	149-1953	1	Drain Assy (Includes Knob and Seal)	8	149-2045	1	O'Ring Kit (Includes Seal and Plunger)
3	149-1914-05	1	Element (Includes Seals)	* - All Parts Included In Separator Kit.			
4	502-0153	1	Plug, Hex (1/4")				
5	149-1949	1	Head Assy, Replacement (Includes Vent Plug, O-Rings, Seal, Cap, Tube and Pump Assy)				

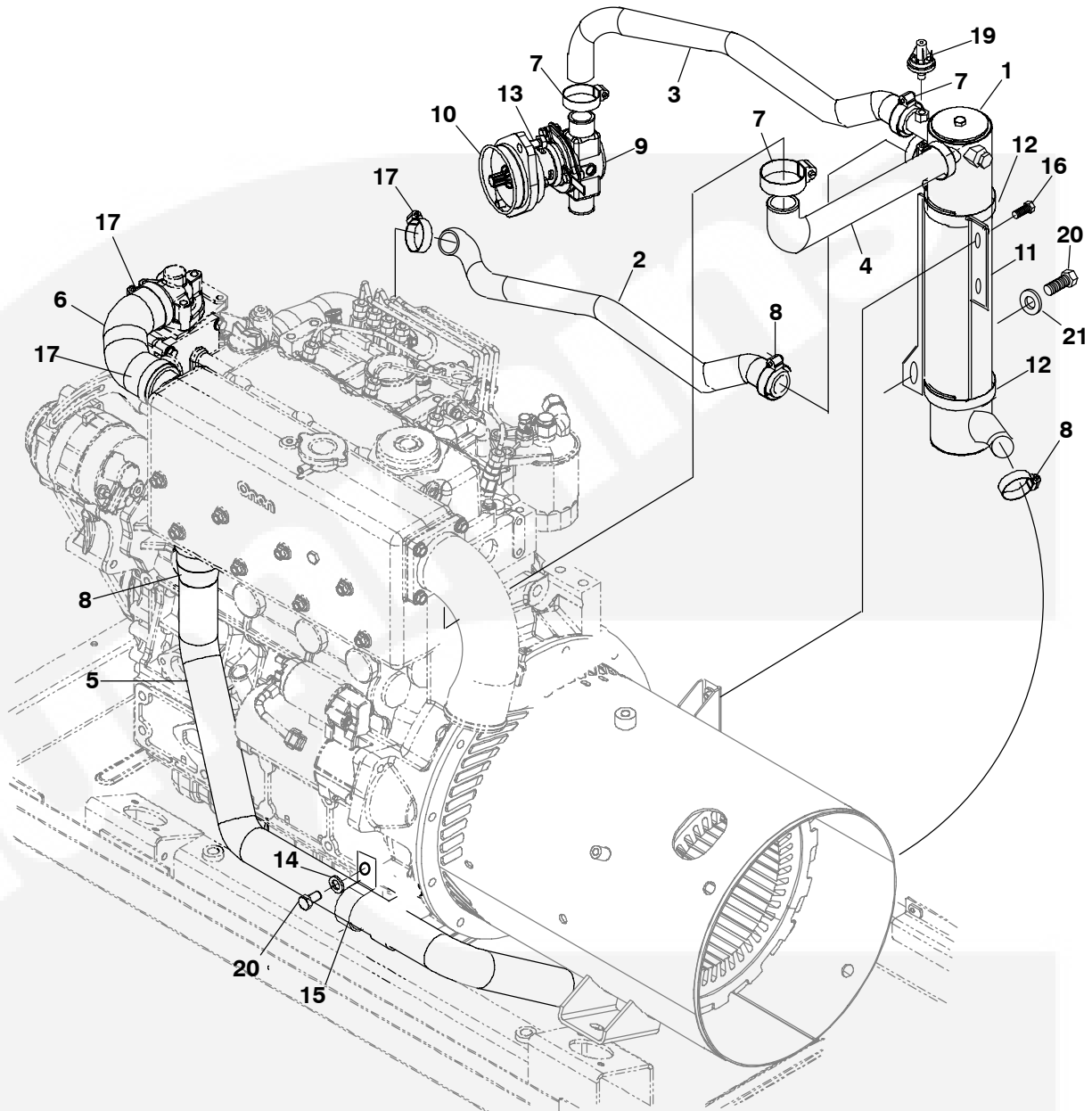
Break Siphon MDKBT, MDKBU



REF NO.	PART NO.	QTY USED	PART DESCRIPTION	REF NO.	PART NO.	QTY USED	PART DESCRIPTION
	541-0877-01	1	Kit, Siphon Break	6	503-1138	2	Clamp, Hose
1	503-2728-01	1	Hose, Coolant	7	508-1039	2	Edging
2	504-0223	1	Valve, Check	8	508-1203	2	Grommet (Boot)
3	502-1425-02	1	Cap, Tube				
4	503-2309	2	Clamp, Hose				
5	502-1451-01	1	Connector, Hose				

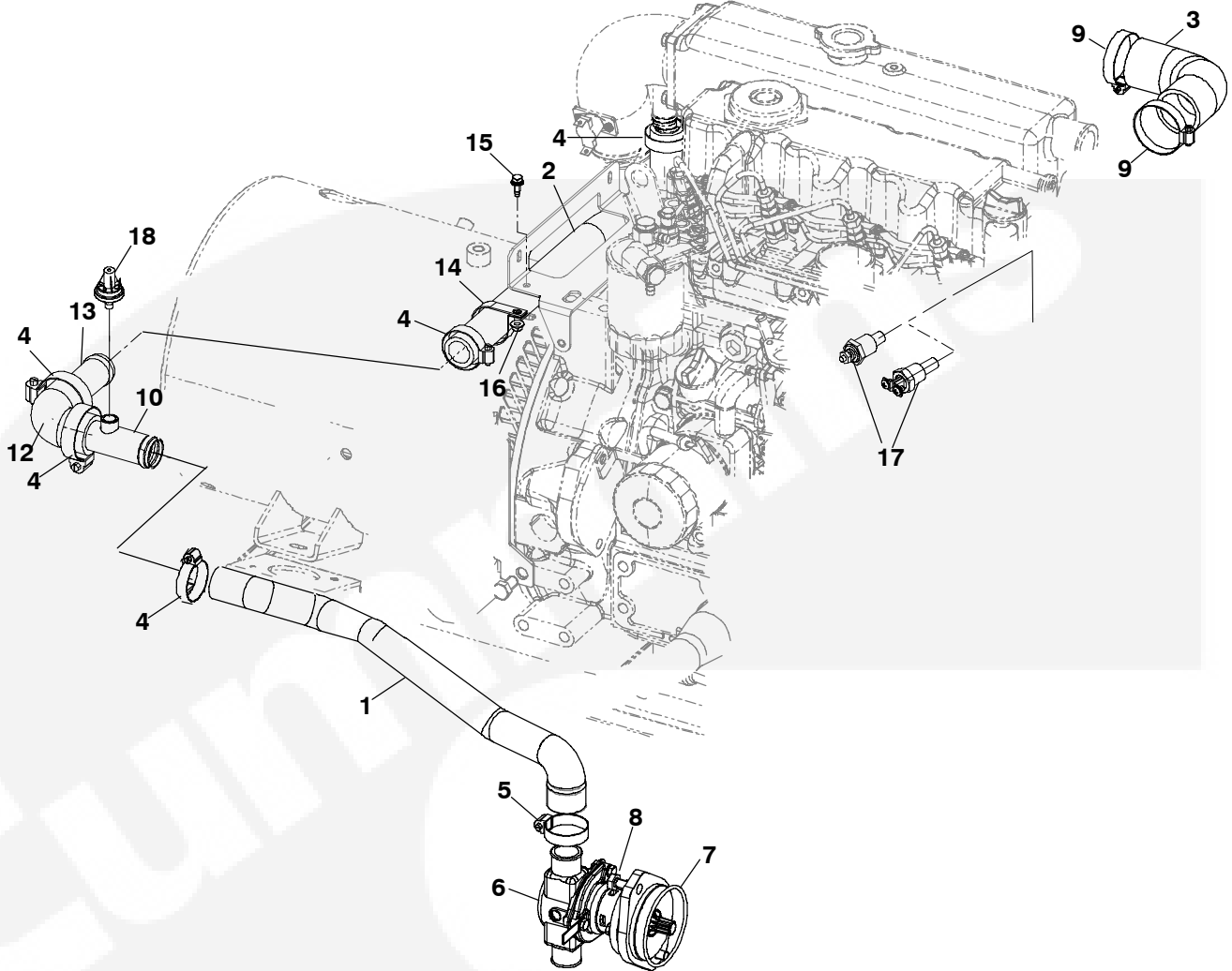
* - All Parts Included In Kit But Not All Shown.

Heat Exchanger



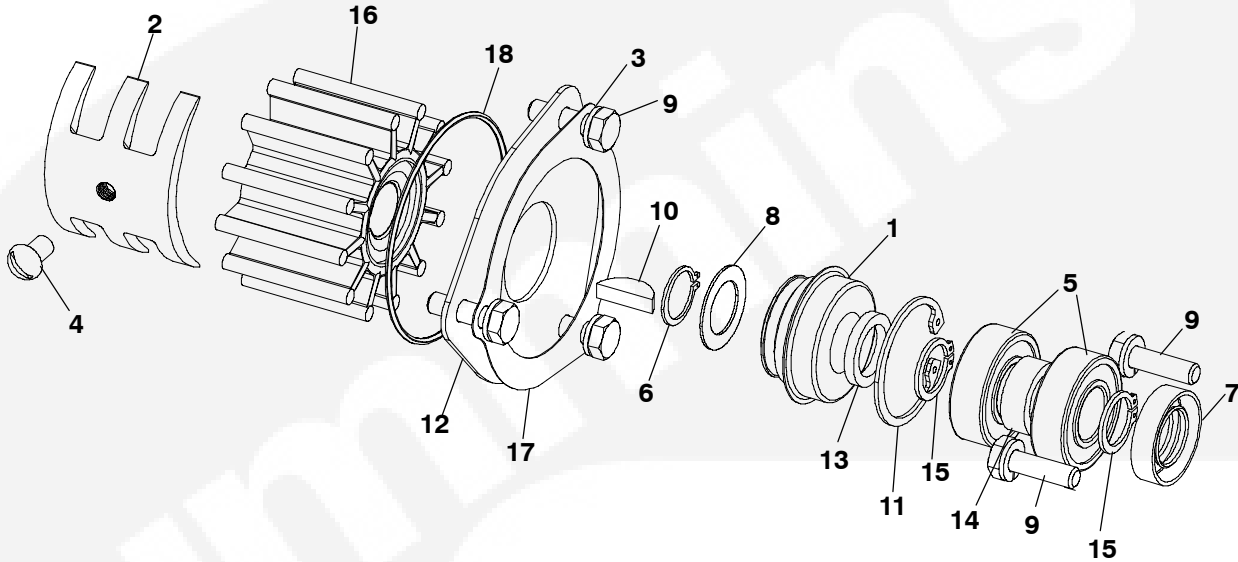
REF NO.	PART NO.	QTY USED	PART DESCRIPTION	REF NO.	PART NO.	QTY USED	PART DESCRIPTION
	300-4686	1	Kit, Low Coolant Sender	14	526-0399-64	2	Flat, Washer (M12)
1	130-6733-02	1	Exchanger, Heat	15	518-0746	1	Clamp, Loop Heat Exchange
2	503-2871	1	Hose, Coolant (Wet and Dry)	16	821-6003-01	2	Screw, Hex Head Sims (M8 x 1.25 x 16mm)
3	503-2716	1	Hose, Water	17	503-1140	4	Clamp, Hose (Cover)
4	503-2717	1	Hose, Water	18			Clamp, Hose (Cover, Not Shown)
5	503-2715	1	Hose, Coolant		503-2823	10	Wet
6	503-2843	1	Hose, Coolant		503-2823	8	Dry
7	503-1138	2	Clamp, Hose	19	309-0667	1	Switch, Pressure
8	503-1139	3	Clamp, Hose	20	800-3025-01	2	Screw, Hex Head Cap (M12 x 1.25 x 20mm)
9	132-0464	1	Pump, Water	21	526-3699-64	2	Washer, Flat (M12)
10	509-0450	1	O'Ring, Seal				
11	130-7069-03	1	Bracket, Heat Exchanger				
12	503-1872-05	2	Clamp, Hose				
13	800-6085	2	Hex, Head Cap (M1 x 1.5 x 20mm)				

Keel Cooling (Wet Exhaust)



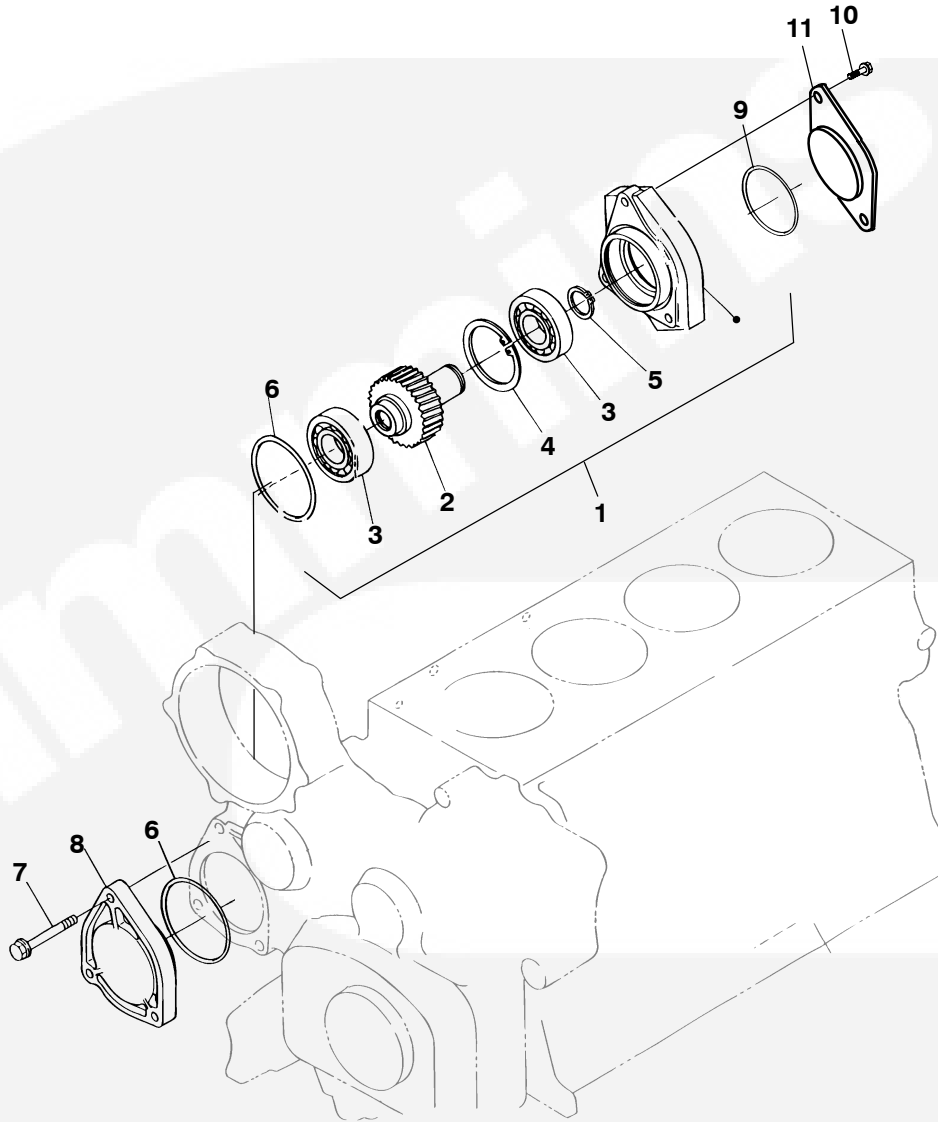
REF NO.	PART NO.	QTY USED	PART DESCRIPTION	REF NO.	PART NO.	QTY USED	PART DESCRIPTION
1	503-2716	1	Hose, Water	12	503-2872	1	Elbow, Hose
2	503-2717	1	Hose, Water	13	130-4803-02	1	Tube, Water
3	503-2843	1	Hose, Coolant	14	518-0548-44	1	Clamp, Hose
4	503-1137	5	Clamp, Hose	15	800-6395-01	1	Screw, Hex Head (M6 x 1 x 16mm)
5	503-1138	1	Clamp, Hose	16	870-2065-02	1	Nut, HEx Flanged (M6)
6	132-0464	1	Pump, Water	17	193-0318	1	Sender, Water Temperature
7	509-0450	1	O'Ring, Seal		193-0457-01	1	Neg Gnd
8	815-0600	2	Screw, Hex Head Cap (M10 x 1.25 x 25mm)		309-0667	1	ISO Gnd
9	503-1140	2	Clamp, Hose(Wet and Dry)	18		1	Switch, Pressure
10	103-5387-01	1	Tube, Low Pressure				
11			Clamp, Hose				
	503-2823	8	Wet				
	503-2823	2	Dry				

Sea Water Pump



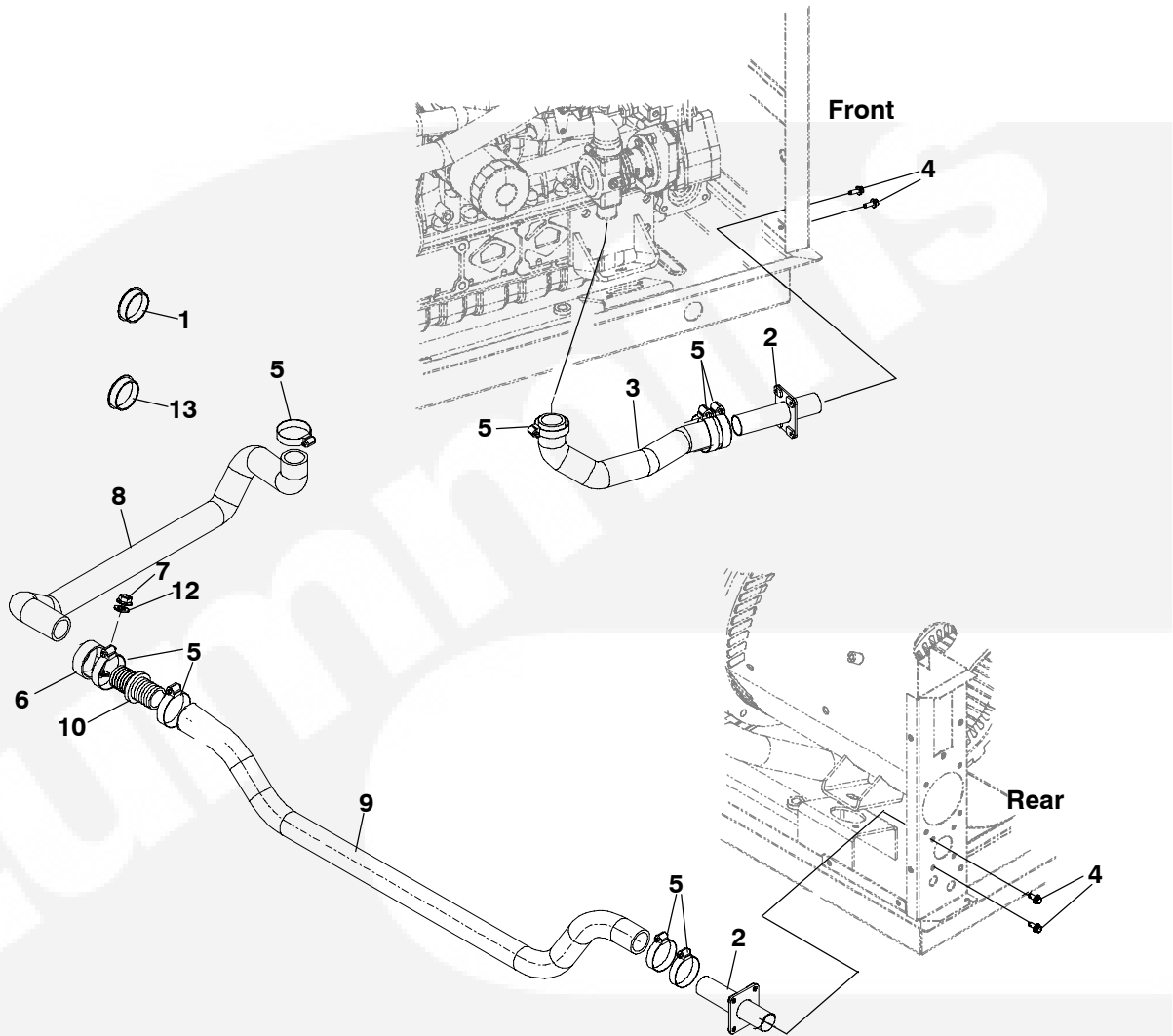
REF NO.	PART NO.	QTY USED	PART DESCRIPTION	REF NO.	PART NO.	QTY USED	PART DESCRIPTION
	541-1316	1	Kit, Pump Repair (Minor, Includes Parts Marked *)	10	132-0391	1	Key
	132-0283	1	Kit, Impeller Service (Includes Parts Marked +)	11	132-0392	1	Ring, Retaining
	541-1317	1	Kit, Pump Repair (Major Includes All Parts Below)	12	132-0473	1	Spacer, Water Pump
1	509-0459	1	+ Seal, Shaft	13	132-0470	1	Slinger, Water Pump
2	132-0474	1	Wear, Sleeve	14	132-0469	1	Spacer, Water Pump
3	850-2089	7	Washer, Spring Locking	15	519-0745	2	Ring, Retaining
4	812-1158	1	Screw, Round Head Slotted	16	132-0348	1	+*Impeller, Water Pump
5	510-0230	2	Bearing, Ball	17	132-0472	1	+*Gasket, Water Pump
6	132-0393	1	Ring, Retaining	18	132-0293	1	+*Gasket, Water Pump
7	509-0447	1	Seal, Shaft	All parts included in Major Repair Kit only.			
8	132-0368	1	Washer	* - Pump Repair Kit Includes Impeller and Gaskets.			
9	800-6384	7	Screw, Hex Head	+ - Impeller Service Kit Includes Impeller Gaskets and Shaft Seal.			

Auxiliary Drive (Sea Water Pump)

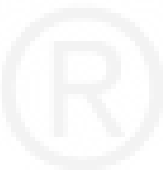


REF NO.	PART NO.	QTY USED	PART DESCRIPTION	REF NO.	PART NO.	QTY USED	PART DESCRIPTION
1	132-0490	1	Pump, Comp. Base Hydraulic	7	800-6414	3	Bolt, Flange
2	507-0018	1	Gear, Hydraulic Pump Drive	8	132-0487	1	Cover, Hydraulic Pump
3	185-3095	2	Ball, Bearing	9	509-0450	1	O'Ring (Dry Exhaust)
4	518-0768	1	Circular Clip, Internal	10	800-6085	2	Bolt, Flange(Dry Exhaust)
5	518-0767	1	Circular Clip, External	11	103-0840	1	Cover, Hydraulic Pump (Dry Exhaust)
6	509-0467	2	O'Ring				

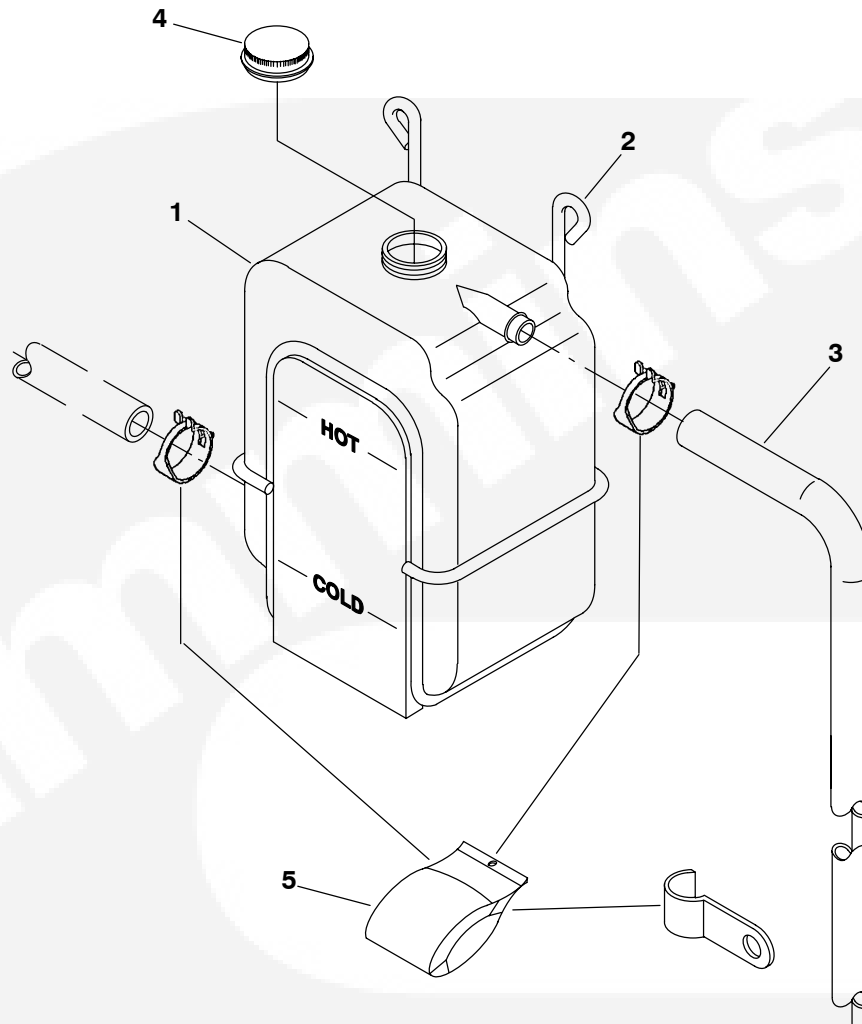
Water Inlet



REF NO.	PART NO.	QTY USED	PART DESCRIPTION	REF NO.	PART NO.	QTY USED	PART DESCRIPTION
	541-1392-01	1	Kit, Hose (Includes Instruction and Water Hose, Front)	9	503-2814	1	*Hose, Water (Rear)
	541-1392-02	1	Kit, Hose (Includes Parts Mark*)	10	502-1583	1	*Connector, Hose (Rear)
1	517-0138-06	1	Plug, Hole (Front and Rear Housed, 1.50")	11			Clamp, Hose (Cover Not Shown)
2	405-9475	1	Bulkhead, Connector		503-2823	3	Front
3	503-2792	1	Hose, Water (Front)		503-2823	5	Rear
4	800-6395-01	4	Screw, Hex Head Sems (M6 x 1.0 x 16mm)	12	526-0399-60	1	Washer, Flat (M8)
5			Clamp, Hose	13	517-0131-02	1	Plug, Hole
	503-1138	3	Front	* - Includes Hoses Connector and Clamps.			
	503-1138	5	Rear				
6	518-0747	1	Clamp, Loop				
7	870-2065-03	1	Nut, Hex Head Flange (M8 x 1.25mm)				
8	503-2793	1	*Hose, Water (Rear)				



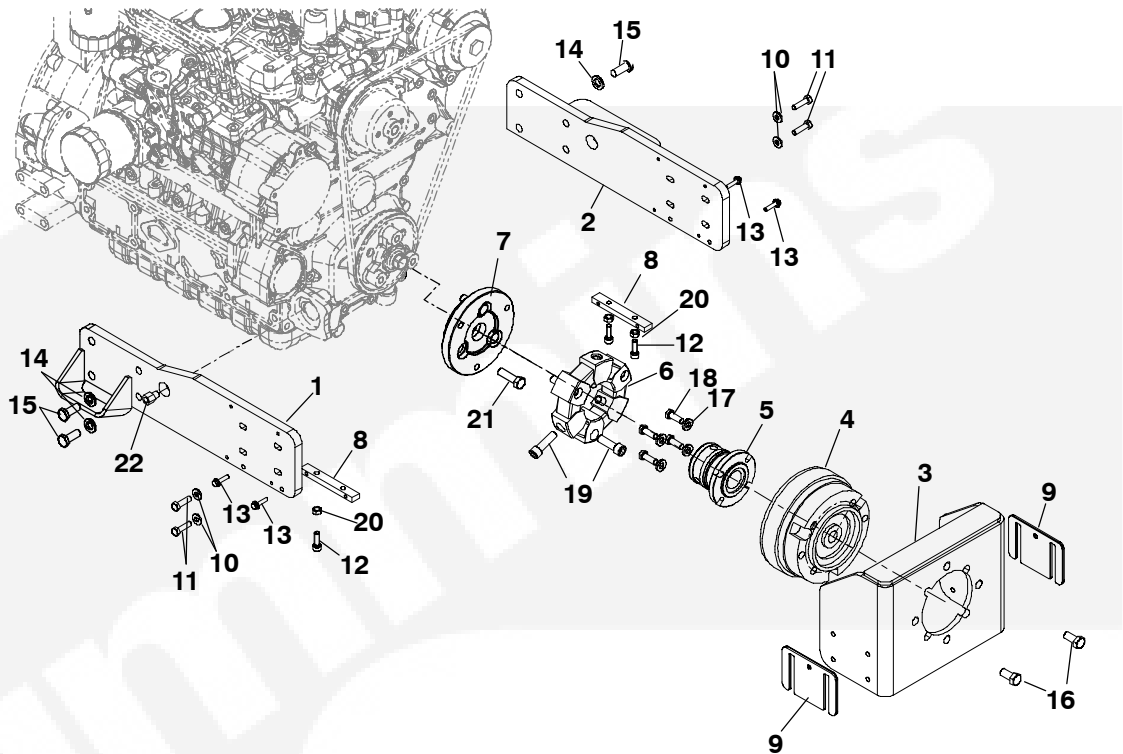
Coolant Recovery



REF NO.	PART NO.	QTY USED	PART DESCRIPTION	REF NO.	PART NO.	QTY USED	PART DESCRIPTION
	130-3574	1	Kit, Coolant Recovery (Instructions Included)	5	130-3573	1	Hardware Package (Includes Mounting Hardware)
1	130-3570	1	Tank, Coolant Recovery				
2	130-3571	1	Hanger, Tank				
3	503-1692	1	Hose (5/16 I.D. x 120" Lg.)				
4	130-3572	1	Cap, Tank				

* - All Parts Included In Kit.

PTO

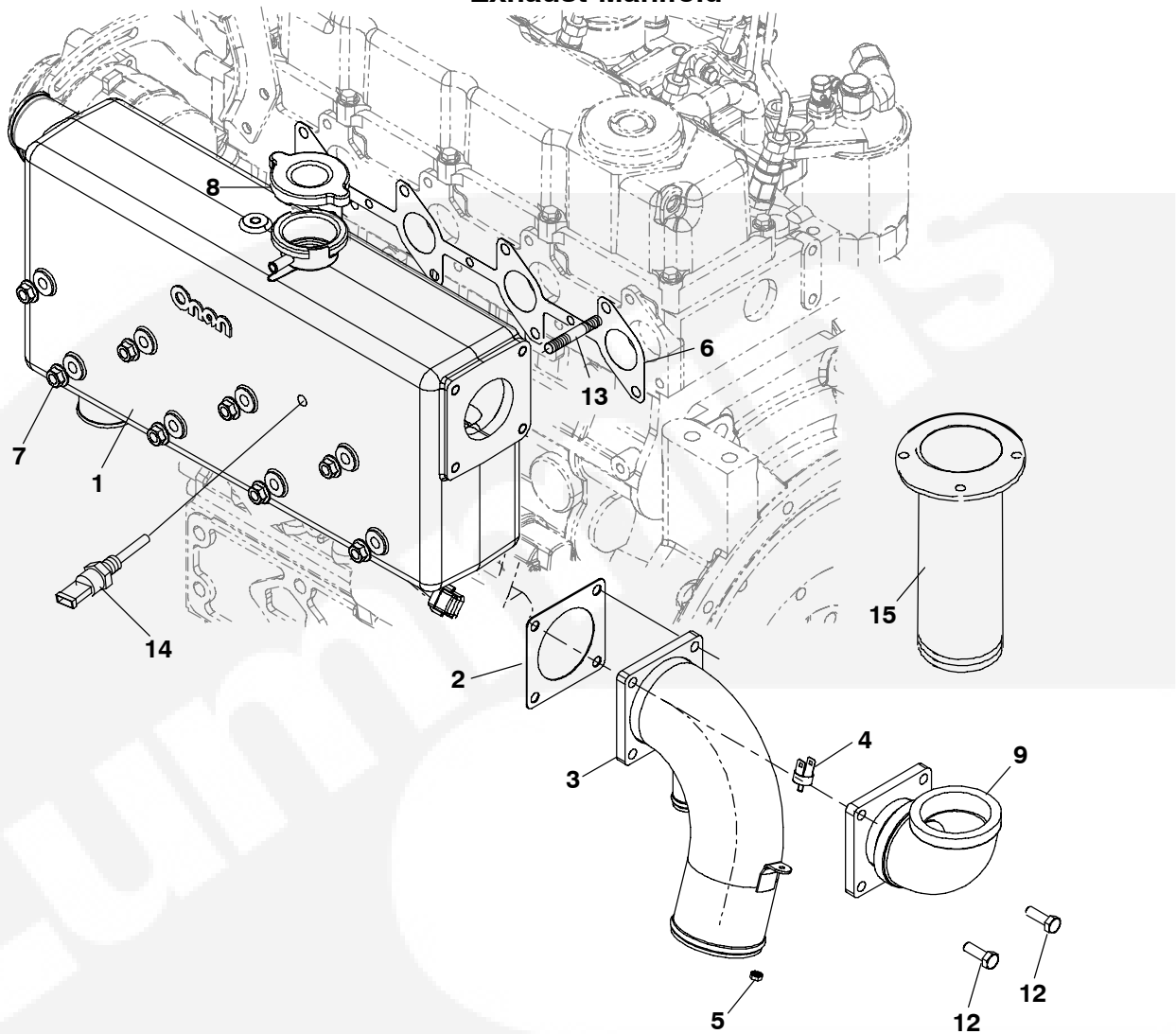


REF NO.	PART NO.	QTY USED	PART DESCRIPTION
	541-1275-01	1	Kit, PTO (12V)
	541-1275-02	1	Kit, PTO (24V)
1	190-0856-02	1	Bracket, PTO (Right)
2	190-0855-02	11	Bracket, PTO (Left)
3	190-0857-02	1	Bracket, Clutch
4			Clutch
	190-0729-01	1	12V
	190-0729-02	1	24V
5	190-0767-02	1	Adapter, Coupling
6	190-0768	1	Coupling, Flexible
7	190-0858-02	1	Adapter, Coupling
8	190-0766-03	2	Bracket, Mounting Pad
9			Shim, PTO
	190-0771-02	AR	12GA
	190-0771-04	AR	14GA
	190-0771-06	AR	20GA
10	526-0451	8	Washer, Flat
11	800-3017-21	8	Screw, Hex Head Cap (M8 x 1.25 x 30mm)
12	815-0916	4	Screw, Socket Head

REF NO.	PART NO.	QTY USED	PART DESCRIPTION
13	821-2035	4	Screw, Locking Flange (M6 x 1.25 x 30mm)
14	526-0399-64	8	Washer, Flat (M12)
15	800-3032	8	Screw, Hex Head Cap (M12 x 1.25 x 30mm)
16	800-0090	2	Screw, Hex Head (1/2-13 x 1.00)
17	526-0174	4	Washer, Flat (3.4 10GA)
18	801-1050	4	Screw, Hex Head (3/8-24NC x 1.00)
19	725-1103	6	Screw, Socket Head Cap (M12 x 1.75 x 40mm)
20	862-0026-55	4	Nut, Hex (M8 x 1.25mm)
21	800-3027	3	Screw, Hex Head Cap (M12 x 1.25 x 40mm)
22	505-1503	1	Adapter, Pipe

*- Kits Include all parts noted.

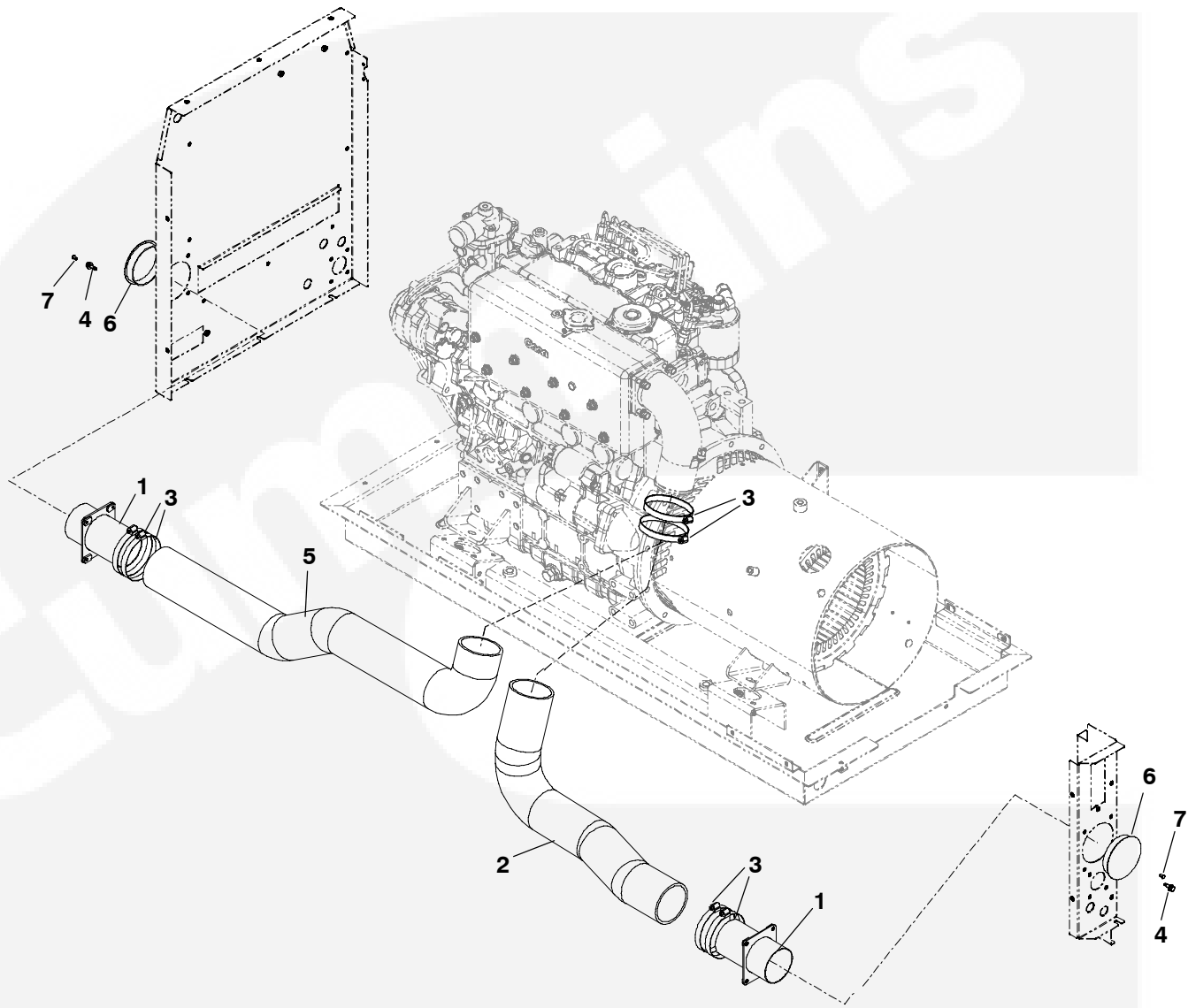
Exhaust Manifold



REF NO.	PART NO.	QTY USED	PART DESCRIPTION	REF NO.	PART NO.	QTY USED	PART DESCRIPTION
	541-1281	1	Kit, Exhaust (Parts Marked*)	10	332-1571	1	Terminal, Tab Adapter
	541-1282	1	Kit, Exhaust (Parts Marked+)	11	898-0972	3"	Sleeving, Insulation(.50")
	541-1272-01	1	Kit, Exhaust (Parts Marked^)	12	800-3017-19	4	Screw, Hex Head Cap (M8 x 1.25 x 25mm)
	541-1272-02	1	Kit, Exhaust (Includes Gasket Hole Plug, Adapter)	13	520-2679	8	Stud
1	154-3197	1	Manifold Assy. (Exhaust)	14	193-0468	1	Sender, Low Coolant
2	155-4486	1	Gasket, Exhaust	15	155-4586-02	1	Adapter
3	155-4487-02	1	Elbow, Exhaust (Wet)				
4	309-0597-03	1	Switch, Temperature (Wet)				
5	870-0221-01	1	Nut, Hex W/ET (#8-32)				
6	155-4599	1	Gasket, Exhaust				
7	870-2065-03	8	Nut, Hex Flanged (M8)				
8	130-3721	1	Cap, Radiator				
9	155-4584-02	1	^ Elbow, Exhaust (Dry)				

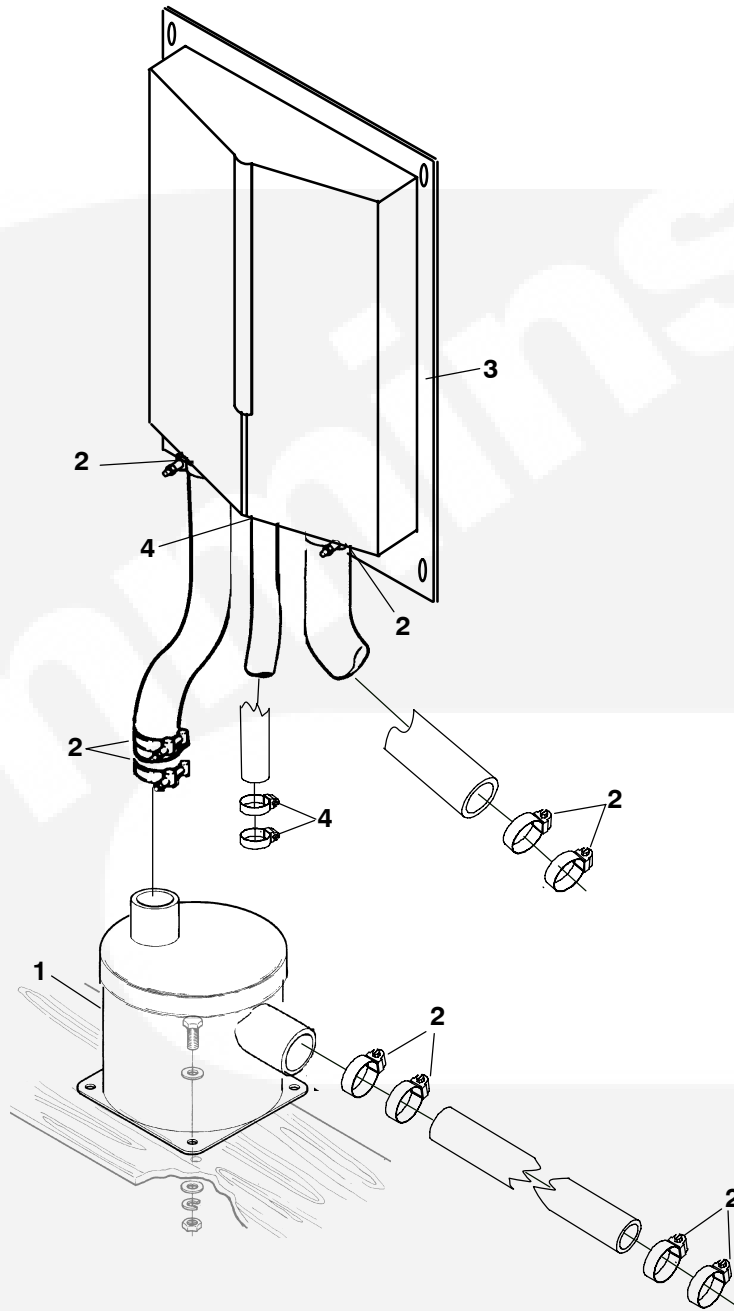
* - Includes Rear Exhaust Hose
 + - Includes Front Exhaust Hose
 ^ - Includes Exhaust Elbow. Kit 541-1272-02 Includes Hole Plug, Gasket and Adapter 155-4586-02.

Bulkhead Exhaust



REF NO.	PART NO.	QTY USED	PART DESCRIPTION	REF NO.	PART NO.	QTY USED	PART DESCRIPTION
1	405-9473	1	Bulkhead Assy.	5	503-2774	1	Hose, Exhaust (Front)
2	503-2773	1	Hose, Exhaust (Rear)	6	517-0393	1	Plug, Hole Housed
3	503-1872-06	4	Clamp, Hose	7	517-0131-02	4	Plug, Hole Housed
4	800-6395-01	4	Screw, Hex Head				

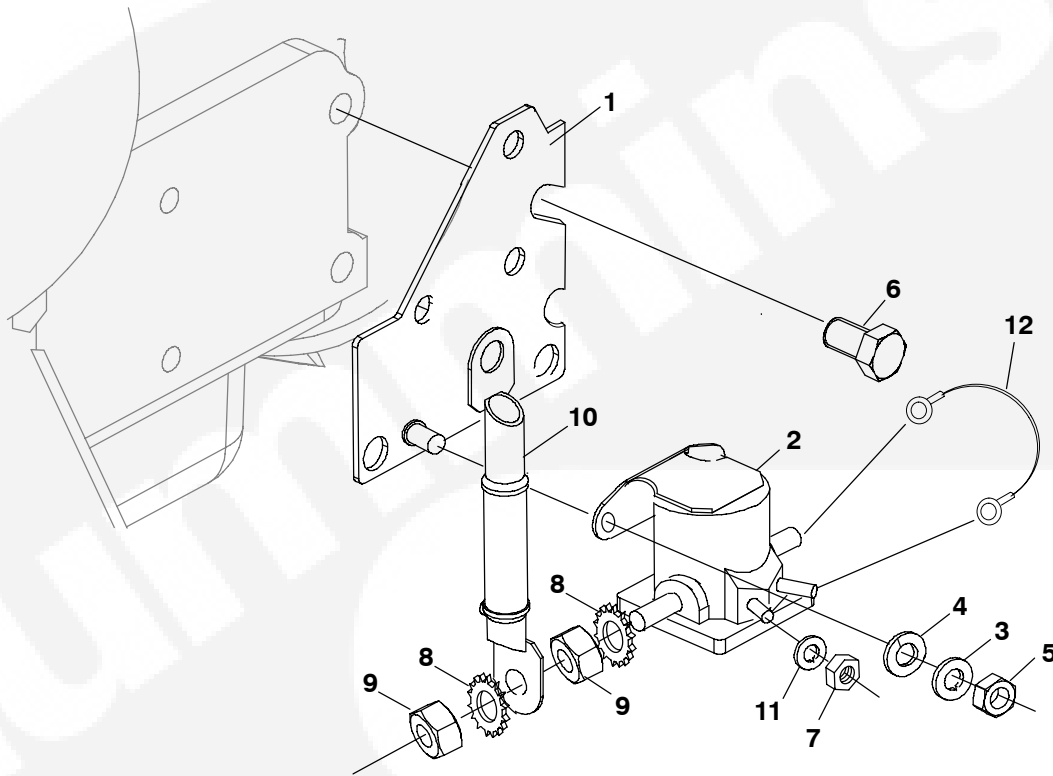
Water Separator, Muffler



REF NO.	PART NO.	QTY USED	PART DESCRIPTION	REF NO.	PART NO.	QTY USED	PART DESCRIPTION
	541-1270	1	Kit, Muffler, Separator (Includes Parts Marked *)	2			Clamp, Hose
	541-1274	1	Kit, Exhaust (Water Separator) (Includes Parts Marked +)	503-1872-06	6	+	Muffler Kit
1	155-4641	1	*Muffler, Marine	503-1872-06	4	*	Separator Kit
				3	130-7343	1	+ Separator, Water
				4	503-1872-02	4	+ Clamp, Hose



Isolated Ground

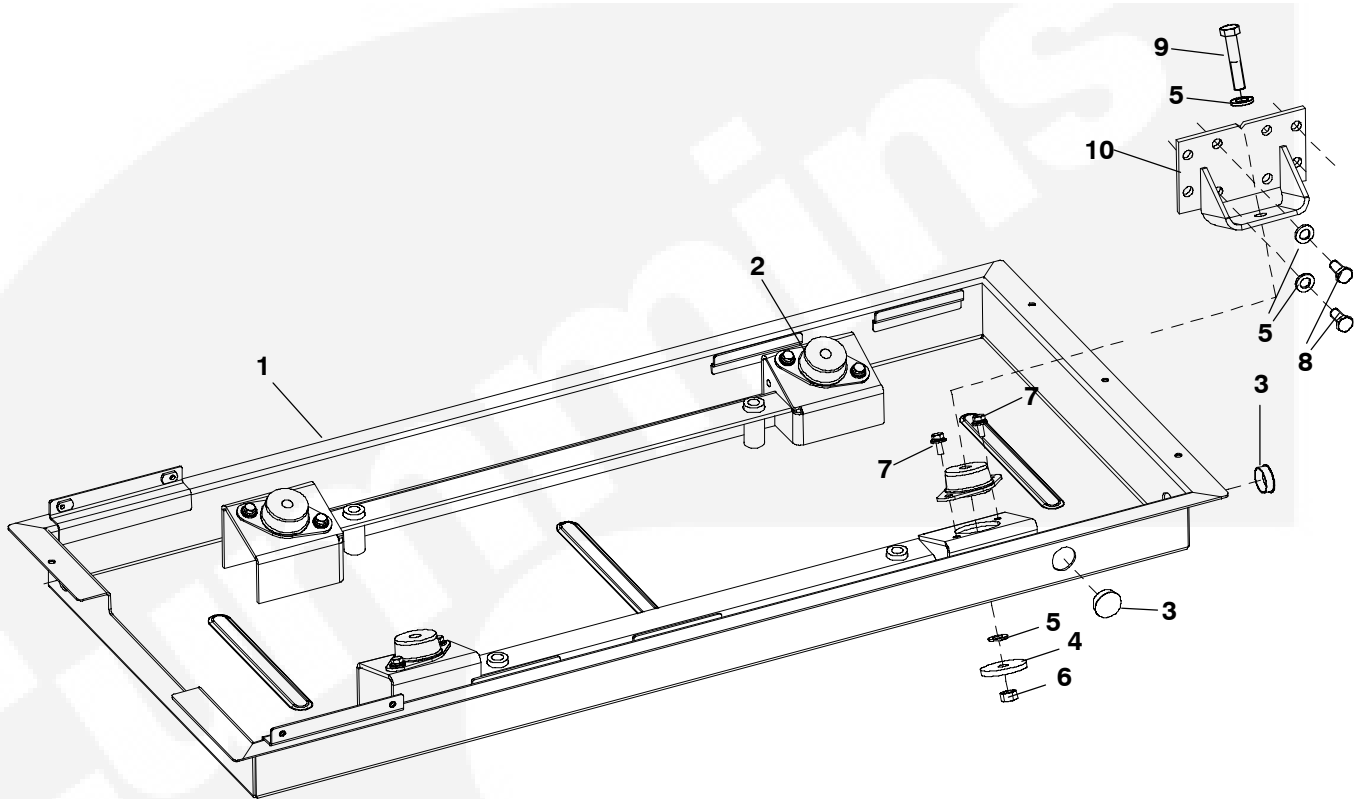


REF NO.	PART NO.	QTY. USED	PART DESCRIPTION	REF NO.	PART NO.	QTY. USED	PART DESCRIPTION
1	333-0732-02	1	Bracket, Solenoid	8	853-0016	2	Washer, ET Lock (5/16")
2			*Relay, Solenoid	9	862-0026-30	2	Nut, Hex (5/16-24)
	307-1617	1	12V	10	338-4200-02	1	Harness, Ground
	307-2656	1	24V	11	853-0016	2	Washer (5/16)
3	526-0399-58	2	Washer, Flat (M6)	12	226-4976	1	Cable, Jumper
4	850-0114-53	2	Washer, Split Lock (M6)				
5	862-0026-54	2	Nut, Hex (M6)				
6	800-3025-01	3	Screw, Hex Head Cap (M12 x 1.25 x 20)				
7	870-0131-01	2	Nut, ET Hex (#10-32) (12V)				

* - Relay Solenoid ties to B- and K9-1 Isolated Ground Harness (338-4200-01)

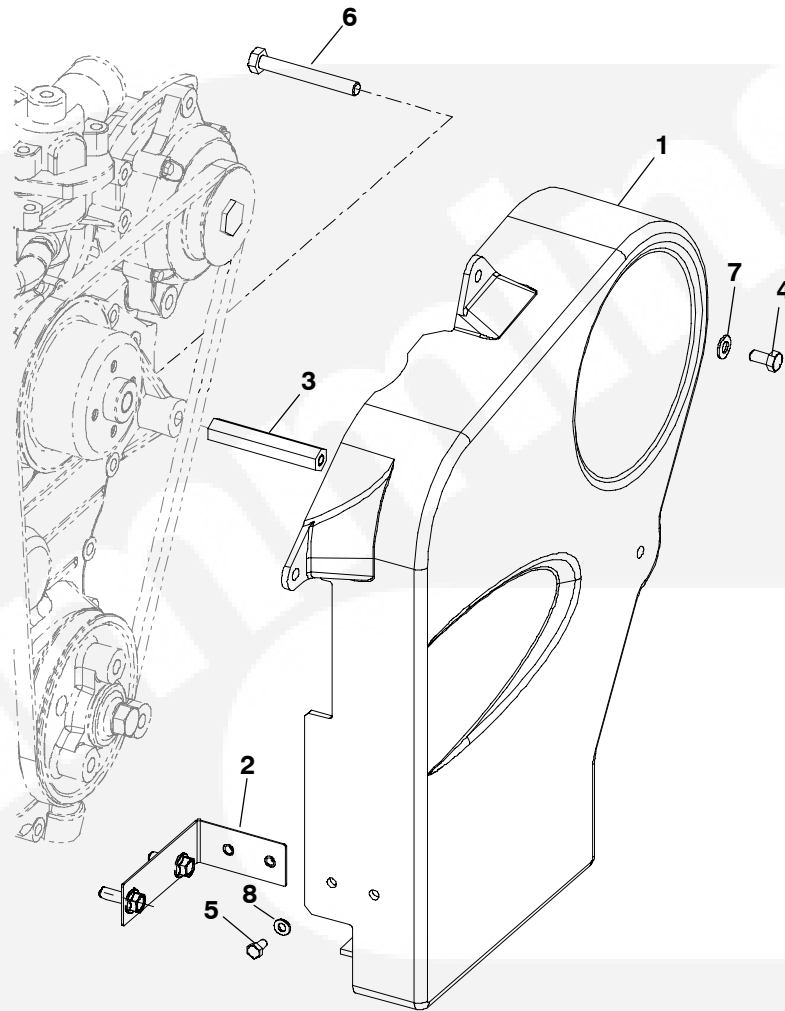


Mounting Base



REF NO.	PART NO.	QTY USED	PART DESCRIPTION	REF NO.	PART NO.	QTY USED	PART DESCRIPTION
1	403-6043-02	1	Assy, Drip Pan	5			Washer, Flat (M12)
2			Isolator, Mounting	526-0399-64	19		Without PTO
	402-0676-01	4	MDKBT	526-0399-64	11		With PTO
	402-0676-01	2	MDKBT and MDKBU w/ PTO MDKBU w/o PTO	6	860-2010	4	Nut, Hex (M12 x .75mm)
	403-3955	2	MDKBT and MDKBU w/ PTO MDKBU w/o PTO	7	821-6003-01	8	Screw, Hex Head Sems (M8 x 1.25 x 16mm)
3	517-0138-04	3	Plug, Hole	8	800-3033	8	Screw, Hex Head Cap (M12 x 1.25 x 25mm)
4	526-0172	4	Washer, Flat	9	800-2118	1	Screw, Hex Head Cap (M12x 1.75 x 60mm)
				10	403-6064-02	1	Mount, Engine

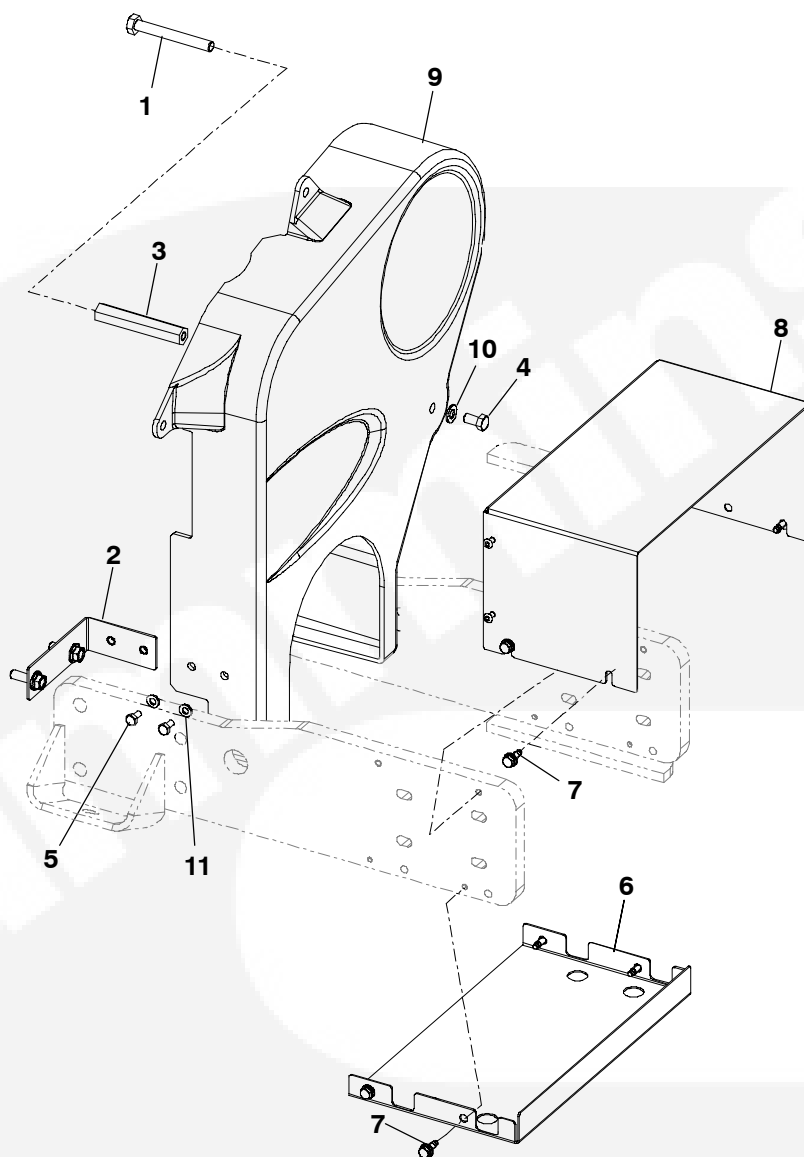
Belt Guard



REF NO.	PART NO.	QTY USED	PART DESCRIPTION	REF NO.	PART NO.	QTY USED	PART DESCRIPTION
	541-1280-01	1	Kit Guard, Belt (Includes Parts Marked *)	5	800-3017-02	2	*Screw, Hex Head Sems (M6 x 1 x 12mm)
1	130-6958-01	1	*Guard, Belt	6	800-3017-50	1	*Screw, Hex Head Cap (M10 x 1.5 x 90mm)
2	130-7038-03	1	*Bracket, Fan Guard	7	526-0399-60	4	*Washer, Flat
3	130-7127	1	*Spacer, Guard	8	526-0399-58	2	*Washer, Flat
4	800-3017-17	4	*Screw, Hex Head Sems (M8 x 1.25 x 12mm)	9	98-4798-01	1	*Label, Warning

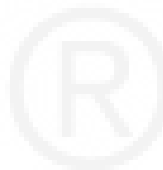
All parts are for Unhoused Units Only.

PTO Belt Guard

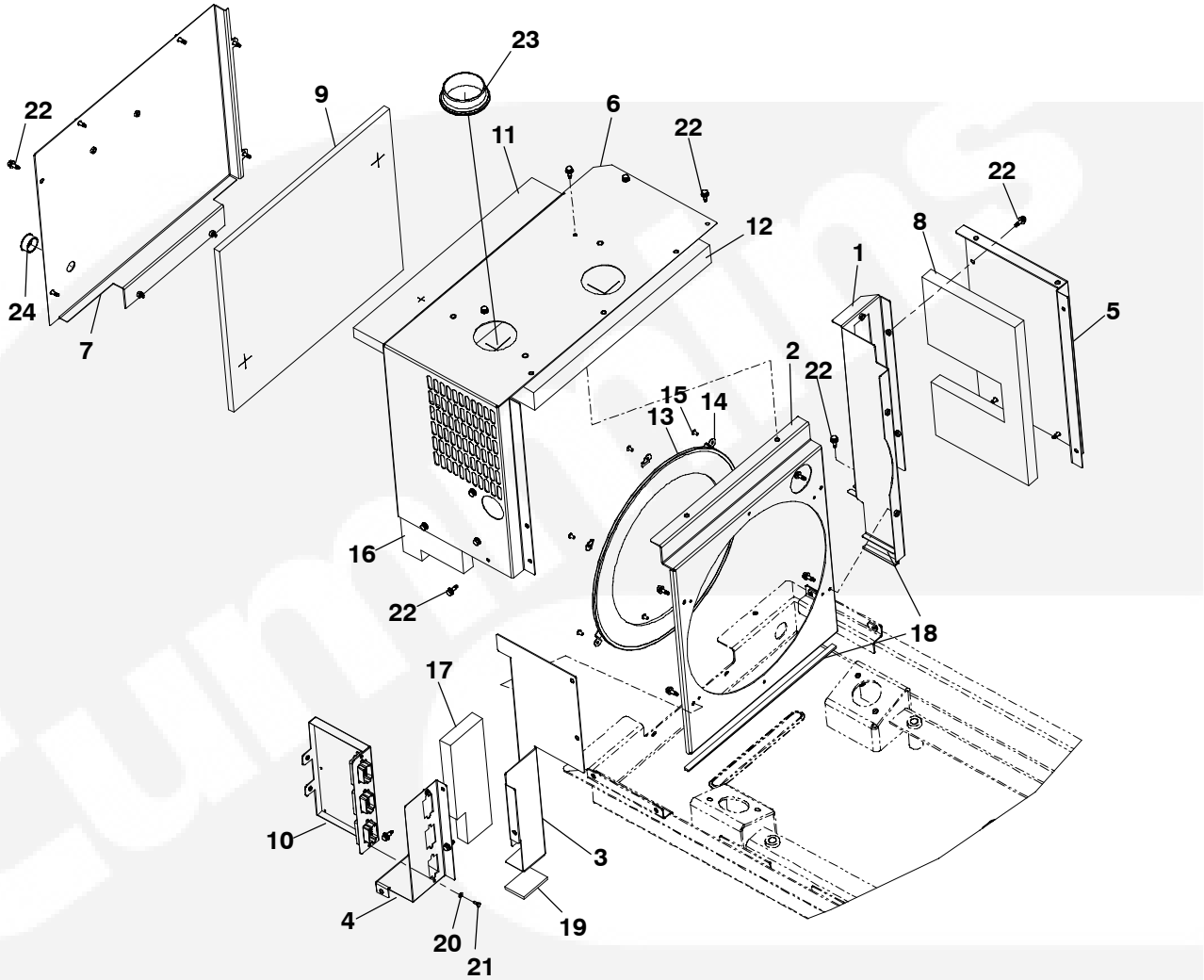


REF NO.	PART NO.	QTY USED	PART DESCRIPTION	REF NO.	PART NO.	QTY USED	PART DESCRIPTION
	541-1280-02	1	Kit Guard, Belt (Includes Parts Marked *)	7	800-6395-01	8	*Screw, Hex Head Sems Stainless (M6 x 1.00 x 16mm)
1	800-3017-50	1	*Screw, Hex Head Cap (M10 x 1.5 x 90mm)	8	190-0865-03	1	*Guard, Coupling
2	130-7038-03	1	*Bracket, Fan Guard	9	130-6958-02	1	*Guard, Belt
3	130-7127	1	*Spacer, Guard	10	526-0399-60	2	*Washer, Flat
4	800-3017-17	4	*Screw, Hex Head (M8 x 1.25 x 12mm)	11	526-0399-58	4	*Washer, Flat
5	800-3017-02	2	*Screw, Hex Head Sems (M6 x 1.00 x 12mm)				
6	190-0866-03	1	*Guard, Coupling				

All Parts are for Unhoused Units Only

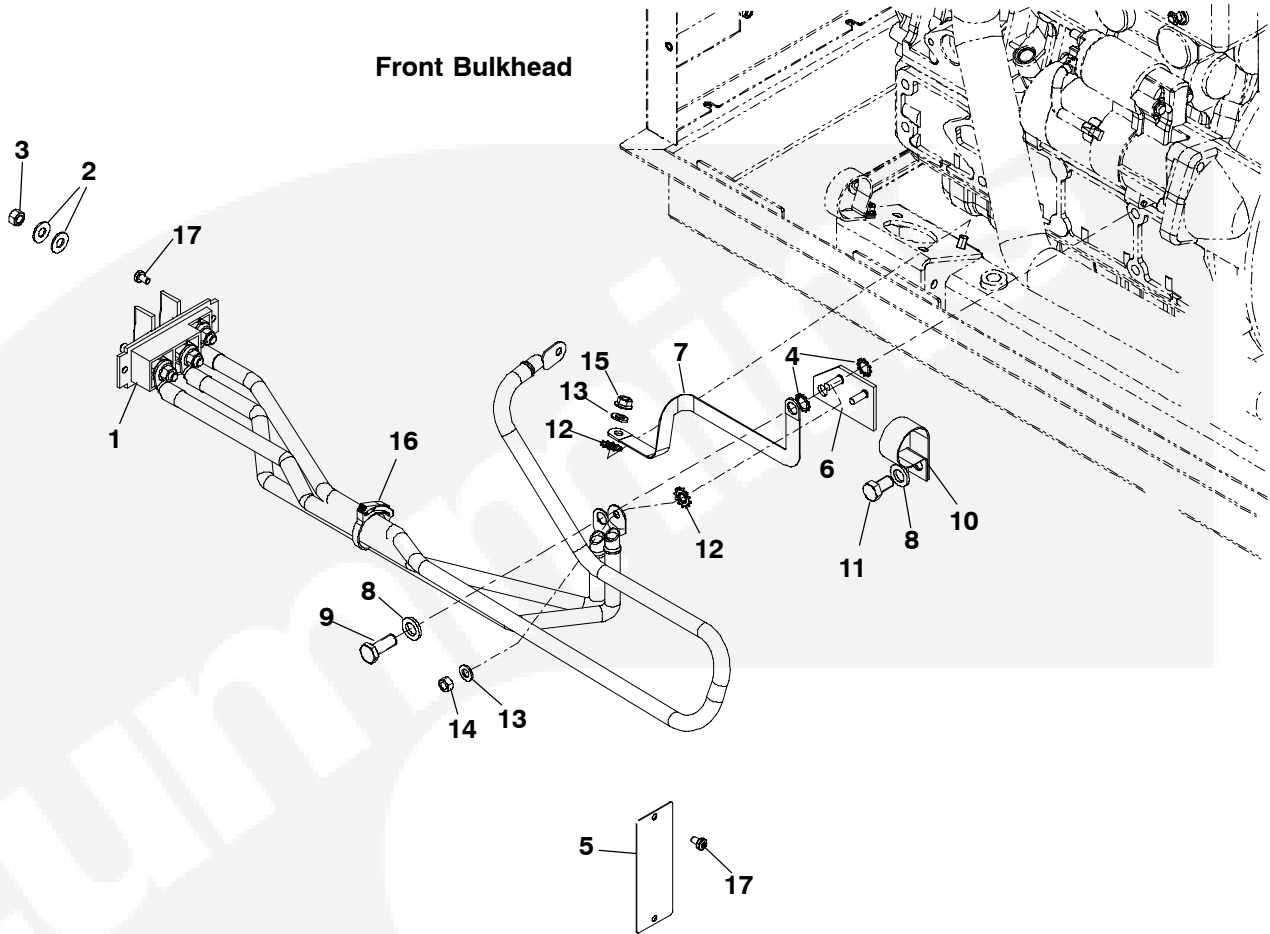


Generator Housing



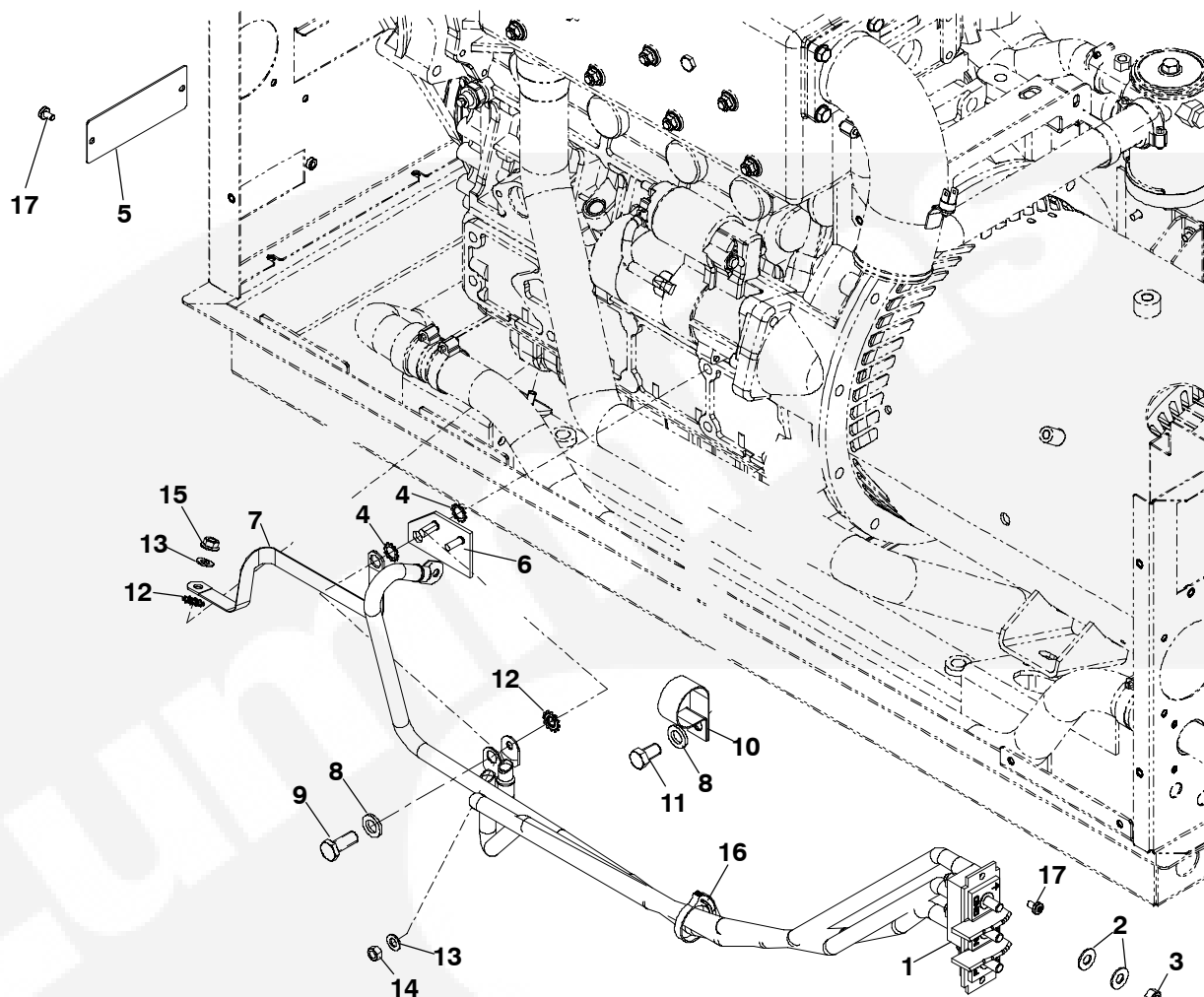
REF NO.	PART NO.	QTY USED	PART DESCRIPTION	REF NO.	PART NO.	QTY USED	PART DESCRIPTION
1	405-9299-03	1	Panel, Housing	14	134-5299-02	6	Bracket, Fan HSG
2	405-9308-03	1	Panel, Air Baffle	15	818-0231-01	6	Rivet, Pop
3	405-9307-03	1	Panel, Air Baffle	16	405-9554	1	Insulation, Panel
4	405-9707-03	1	Panel, Access	17	405-6919	1	Insulation, Panel
5	405-9508-03	1	Panel, Enclosure	18	895-0395	19"	Seal, Weather
6	405-9300-03	1	Panel, Enclosure	19	405-9841	1	Insulation, Panel
7	405-9301-03	1	Cover, Enclosure (Rear)	20	526-2050	2	Washer, Flat (M4)
8	405-9552	1	Insulation, Panel	21	800-3042	2	Screw, Hex Head Sems (M4 x 0.7 x 10mm)
9	405-9553	1	Insulation, Cover	22	800-6395-01	29	Screw, Hex Head Sems (M6 x 1 x 16mm)
10	327-1450	1	PCB Assy, Control	23	508-1152	2	Grommet, Rubber
11	405-9559	1	Insulation, Panel	24	517-0136-01	2	Plug, Hole
12	405-9558	1	Insulation, Panel				
13	509-0368	1	Seal, Brush				

Battery Harness (Front Bulkhead)



REF NO.	PART NO.	QTY. USED	PART DESCRIPTION	REF NO.	PART NO.	QTY. USED	PART DESCRIPTION
	332-3771	1	Kit, Terminal Boot (Includes Insulated Terminal Black and Red)	11	800-3025-01	1	Screw, Hex Head Cap (M12 x 1.25 x 20mm)
1	338-4623-01	1	Harness, Battery	12	856-0008	2	Washer, ET Lock (5/16") Neg
2	526-0029	6	Washer, Flat (1/2")		856-0008	1	ISO
3	862-0003	3	Nut, Hex Head Hvy (3/8-16UNC)	13	526-0399-60	2	Washer, Flat (M8) Neg
4			Washer, ET Locking (M12)		526-0399-60	1	ISO
	853-2012	2	Neg	14	871-0025	1	Nut, HB Full (5/16-18) (Neg Ground)
5	405-9764-02	1	Cover, Access (Housed Only)	15	870-2065-03	1	Nut, Hex Head Flanged (M8 x 1.25)
6	337-2784-02	1	Bar Assy, Bus (Neg Gnd)	16	503-2865-13	1	Clamp, Hose
7	337-2785	1	Strap, Bond	17	823-1002-03	4	Screw, Pan Head Mach Torx (M6 x 1.00 x 10mm)
8	526-0399-64	2	Washer, Flat (M12)				
9	800-3032	1	Screw, Hex Head Cap (M12 x 1.25 x 30mm)				
10	518-0548-43	1	Clamp, Hose				

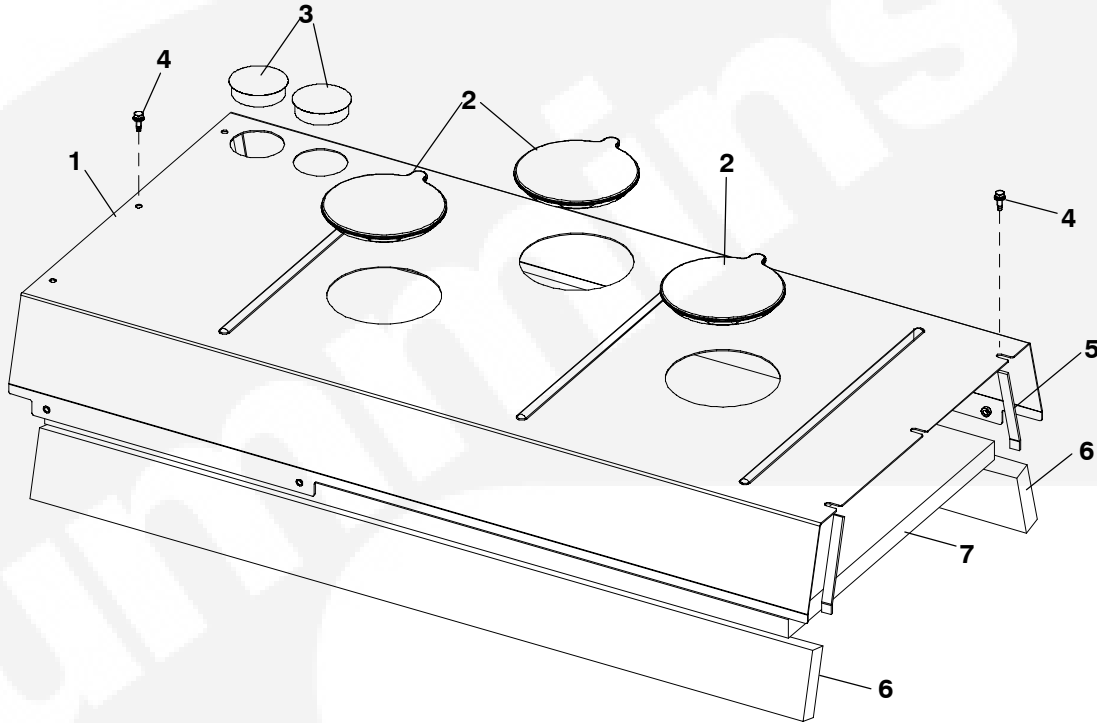
Battery Harness (Rear Bulkhead)



Front Bulkhead

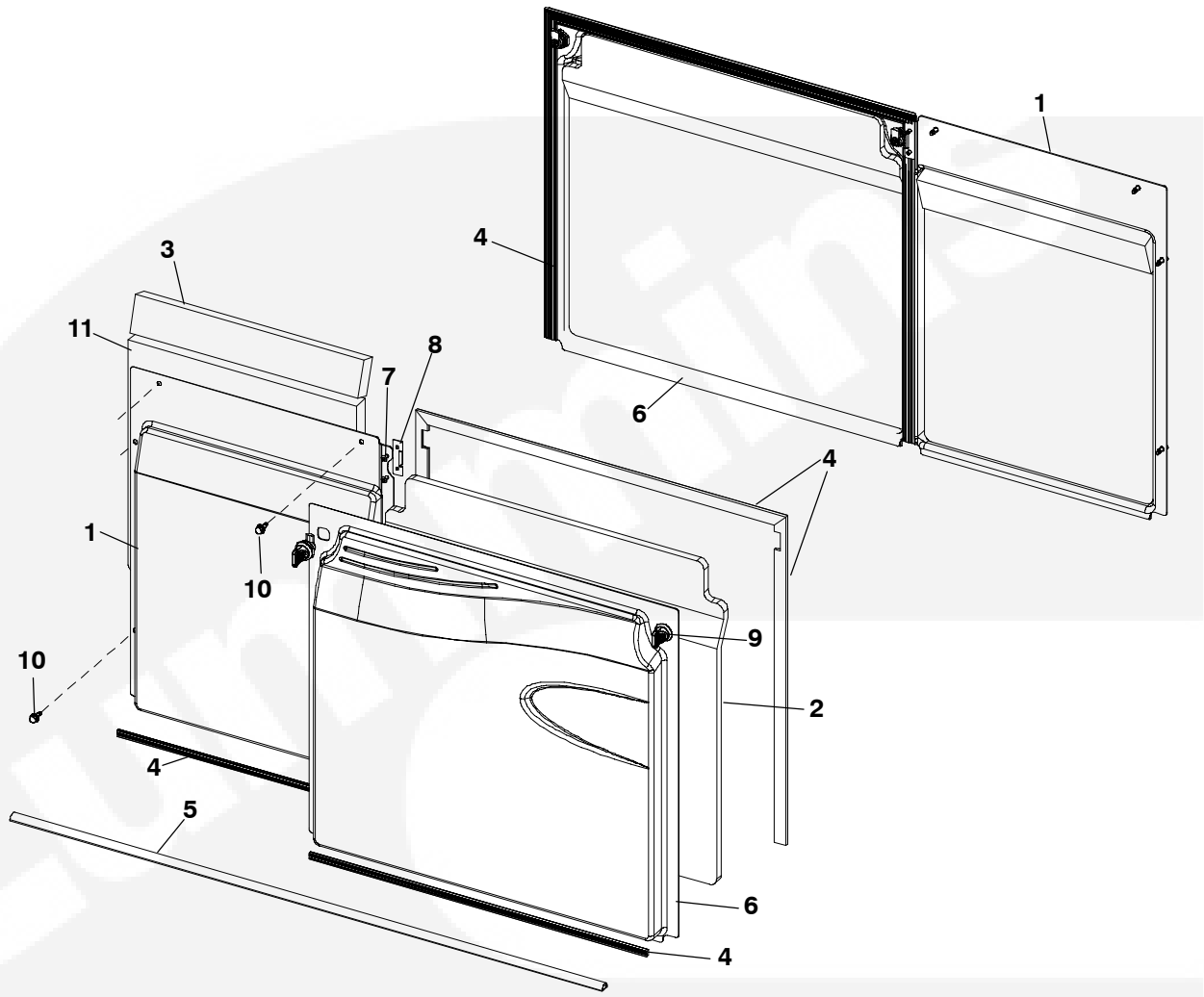
REF NO.	PART NO.	QTY. USED	PART DESCRIPTION	REF NO.	PART NO.	QTY. USED	PART DESCRIPTION
1	338-4623-01	1	Harness, Battery	12			Washer, ET Lock (5/16")
2	526-0029	6	Washer, Flat (1/2")		856-0008	2	Neg
3	862-0003	3	Nut, Hex Head Hvy (3/8-16UNC)		856-0008	1	ISO
4			Washer, ET Locking (M12)	13			Washer, Flat (M8)
	853-2012	2	Neg		526-0399-60	2	Neg
	853-2012	1	ISO		526-0399-60	1	ISO
5	405-9764-02	1	Cover, Access (Housed Only)	14	871-0025	1	Nut, HB Full (5/16-18) (Neg Ground)
6	337-2784-02	1	Bar Assy, Bus (Neg Gnd)	15	870-2065-03	1	Nut, Hex Head Flanged (M8 x 1.25)
7	337-2785	1	Strap, Bond	16	503-2865-13	1	Clamp, Hose
8	526-0399-64	2	Washer, Flat (M12)	17	823-1002-03	4	Screw, Pan Head Mach Torx (M6 x 1.00 x 10mm)
9	800-3032	1	Screw, Hex Head Cap (M12 x 1.25 x 30mm)				
10	518-0548-43	1	Clamp, Hose				
11	800-3025-01	1	Screw, Hex Head Cap (M12 x 1.25 x 20mm)				

Engine Sound Shield



REF NO.	PART NO.	QTY. USED	PART DESCRIPTION	REF NO.	PART NO.	QTY. USED	PART DESCRIPTION
	541-1279	1	Kit, Sound Shield (Includes Complete Sound Shield Enclosure for Engine)	5	405-9560	4	Gasket, Enclosure
1	405-9331-03	1	Panel, Roof	6	405-9567	2	Insulation, Roof
2	405-7257	3	Cover, Access	7	405-9548	1	Insulation, Roof
3	517-0392-23	2	Plug, Hole	* - Kit Includes Insulated Roof, Doors, Sides and Ends.			
4	800-6395-01	6	Screw, Hex Head Sems Stainless (M6 x 1.0 x 16mm)				

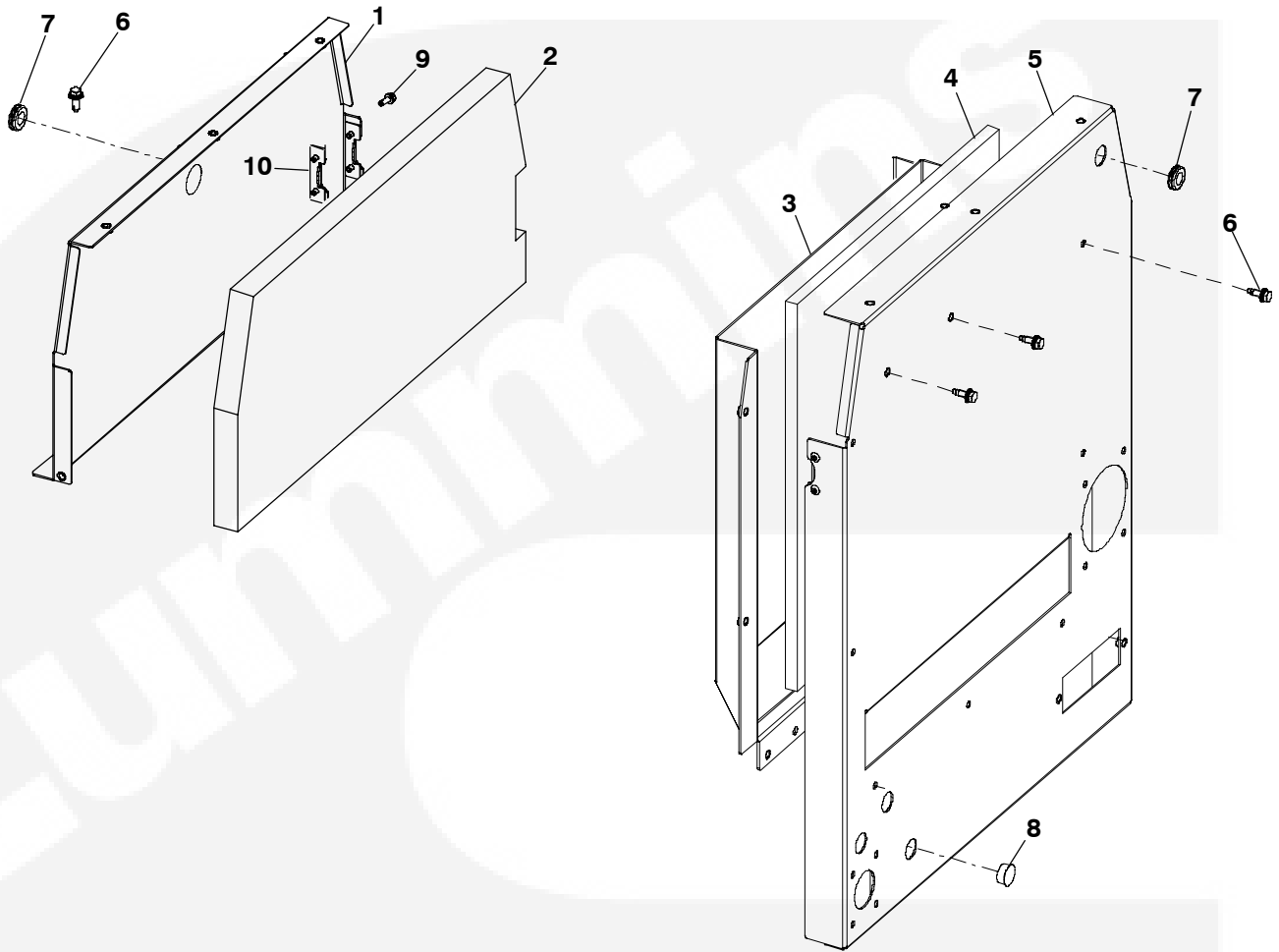
Engine Panel Sound Shield



REF NO.	PART NO.	QTY. USED	PART DESCRIPTION	REF NO.	PART NO.	QTY. USED	PART DESCRIPTION
1	405-9752-03	2	Panel, Access	7	818-0231-01	4	Rivet, Pop
2	405-9568	2	Insulation, Door	8	406-1032	2	Catch, Door
3	405-6993-02	2	Insulation, Sound	9	406-0958	4	Latch, Door
4	895-0395	17.6'	Seal, Weather	10	800-6395-01	8	Screw, Hex Head Sems (M6 x 1 x 16mm)
5	895-0411	2.8'	Seal, Weather	11	405-6995-02	2	Insulation, Sound
6	405-9751-03	2	Door				



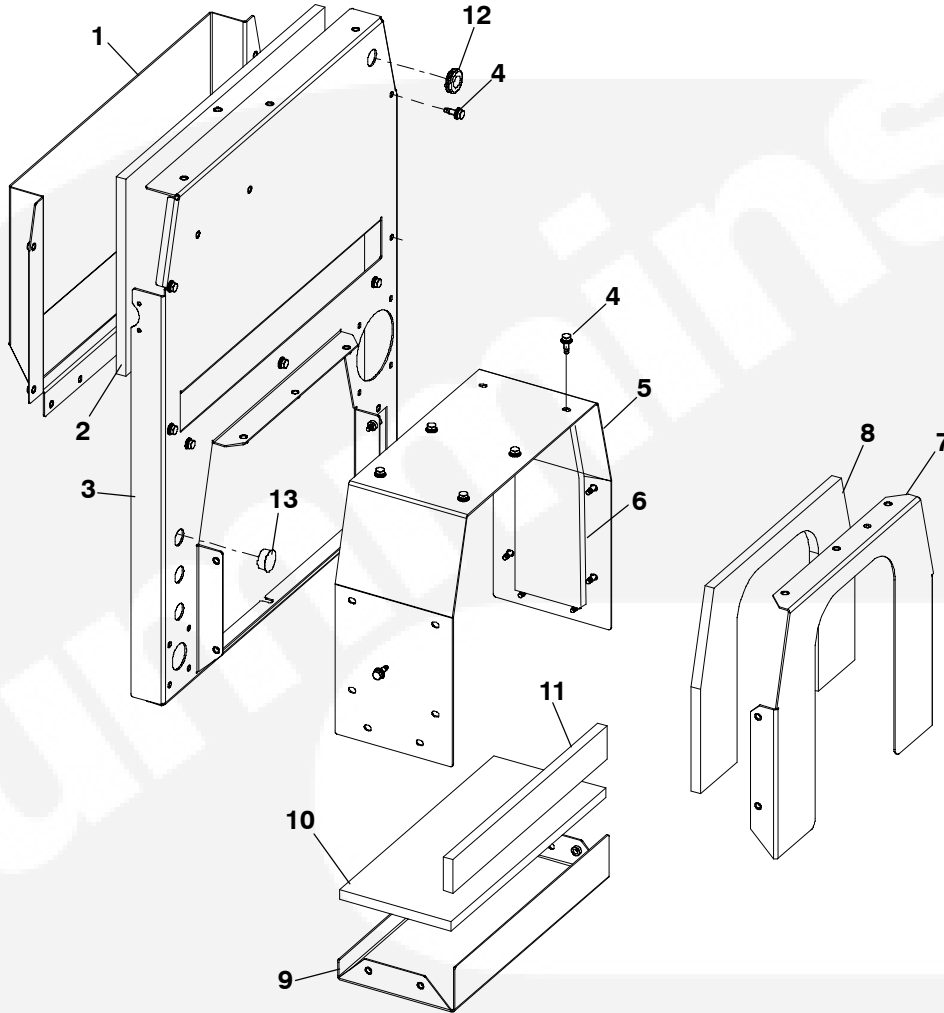
Engine Panel Sound Shield (Front and Rear without PTO)



REF NO.	PART NO.	QTY. USED	PART DESCRIPTION
1	405-9336-03	1	Panel, Roof (End)
2	405-9547	1	Installation Roof (End)
3	405-9517-03	1	Panel, Duct
4	405-9732	1	Insulation, Duct
5	405-9315-03	1	Panel, Enclosure (Front)
6	800-8395-01	12	Screw, Hex Head Cap Stainless (M6 x 1.0 x 16mm)

REF NO.	PART NO.	QTY. USED	PART DESCRIPTION
7	508-0021	2	Grommet, Rubber
8	517-0136-01	1	Plug, Hole
9	818-0231-01	4	Rivet, Pop
10	406-1032	2	Catch, Door

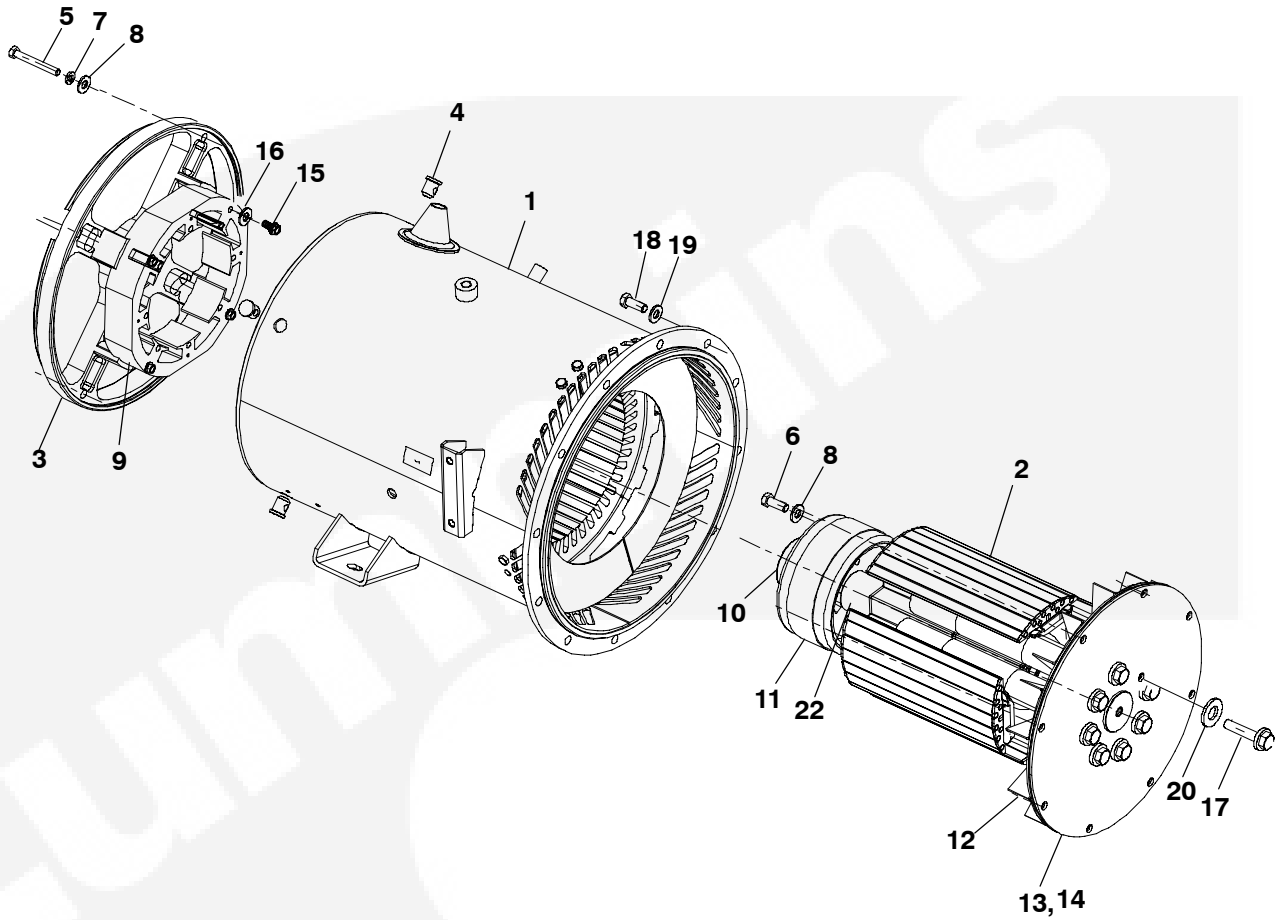
Engine Panel Sound Shield (Front w/PTO)



REF NO.	PART NO.	QTY. USED	PART DESCRIPTION	REF NO.	PART NO.	QTY. USED	PART DESCRIPTION
	541-1395	1	Kit, Sound Shield (Includes PTO End Parts)	7	190-0864-03	1	Guard, PTO
1	405-9507-03	1	Panel, Duct	8	405-9562	1	Insulation, Sound
2	405-9731	1	Insulation, Duct	9	190-0862-03	1	Guard, PTO
3	405-9314-03	1	Panel, Enclosure	10	405-9563	1	Insulation, Sound
4	800-6395-01	25	Screw, Hex Head Sems Stainless (M6 x1 x 16mm)	11	405-9564	1	Insulation, Sound
5	190-0861-03	1	Guard, Coupling (PTO)	12	508-0021	2	Grommet, Rubber
6	405-9561	1	Insulation, Sound	13	517-0136-01	1	Plug, Hole

* - All Parts On This Page Included In Kit.

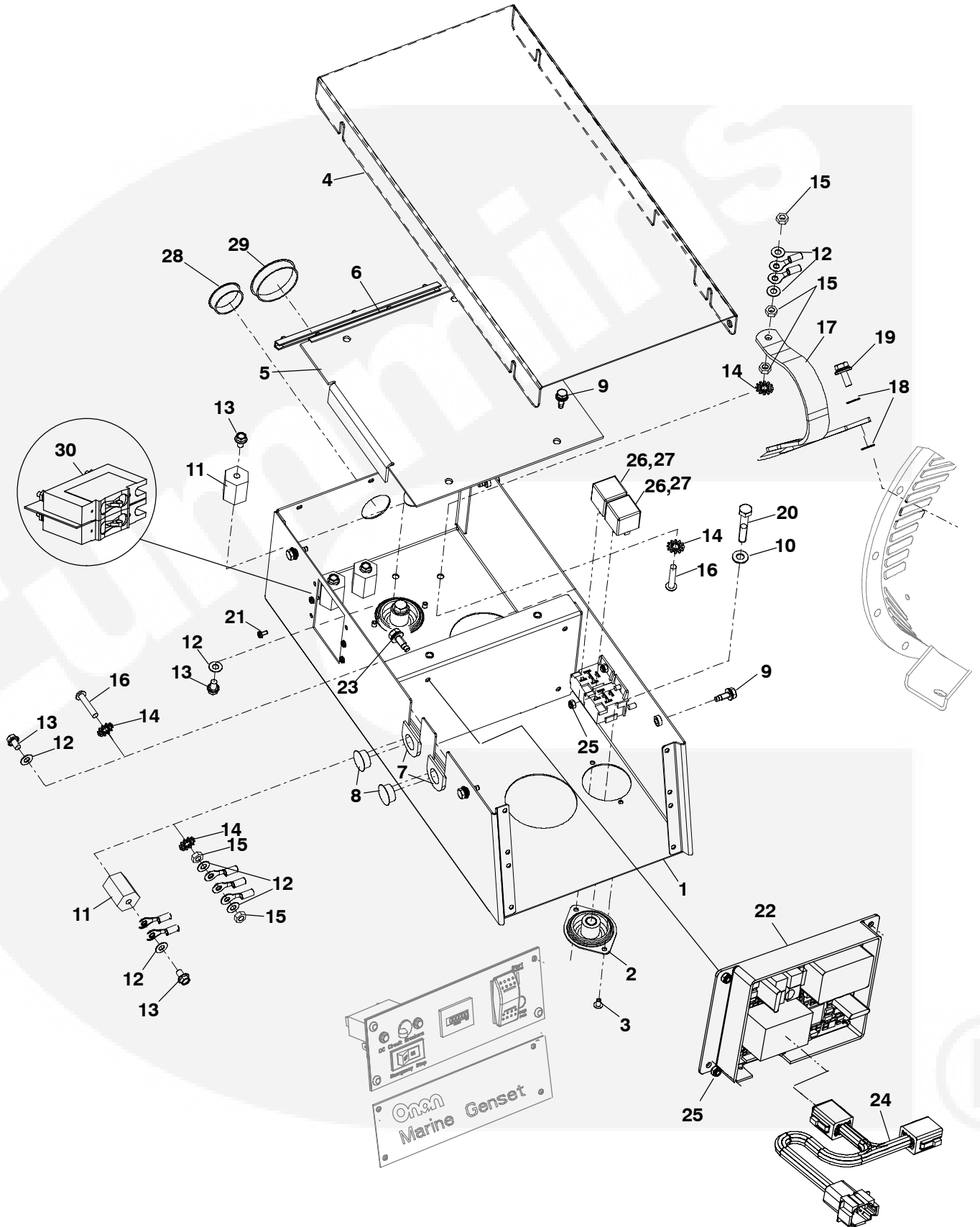
Generator



REF NO.	PART NO.	QTY USED	PART DESCRIPTION	REF NO.	PART NO.	QTY USED	PART DESCRIPTION
			Kit, Generator Heater	8	526-0399-42	4	Washer, Flat (.38")
	300-4434	1	12V	9	323-1623	1	Connector, Plug
	300-4435	1	24V	10	510-0112	1	Bearing, Ball
1			Stator, Generator (Includes Grommet) Single, Phase	11	201-3642-02	1	Rotor, Wound (Excitor)
	220-4671-06	1	MDKBT	12	205-0229-02	1	Generator, Fan
	220-4671-07	1	MDKBU	13	232-3826-02	1	Spacer
			Three Phase	14	232-3945	1	Drive, Disk
	220-4672-06	1	MDKBT	15	815-0935	4	Screw, Hex Flanged (.250")
	220-4672-07	1	MDKBU	16	853-0013	4	Washer, Locking ET (.250")
2			Rotor Assy, Generator (Includes Parts Marked *)	17	800-3017-52	8	*Screw, Hex Head Cap (M12 x 1.75 x 20mm)
	201-3641-06	1	MDKBT	18	815-0600	12	Screw, Hex Head Cap (.375-16 x 1.00")
	201-3641-07	1	MDKBU	19	526-0399-62	12	Washer, Flat (M10)
3	211-0465-02	2	Endbell	20	526-0399-73	8	Washer, (M12)
4	232-3206-02	4	Retainer, Endbell	21	98-8183	1	Label, Certification (UL)
5	800-0310-27	4	Screw, Hex Head Cap (.312-16 x 2.50")	22	232-3815-04	1	Hub, Drive
6	800-0310-36	4	Screw, Hex Head Cap (.375-16 x 1.00")				
7	850-0114-06	4	Washer, Locking (.31")				

* - Parts Included in Generator Rotor Assy.
 +- Heater Clamp Cover and Hardware Included
 In Heater Kits.

Control Box

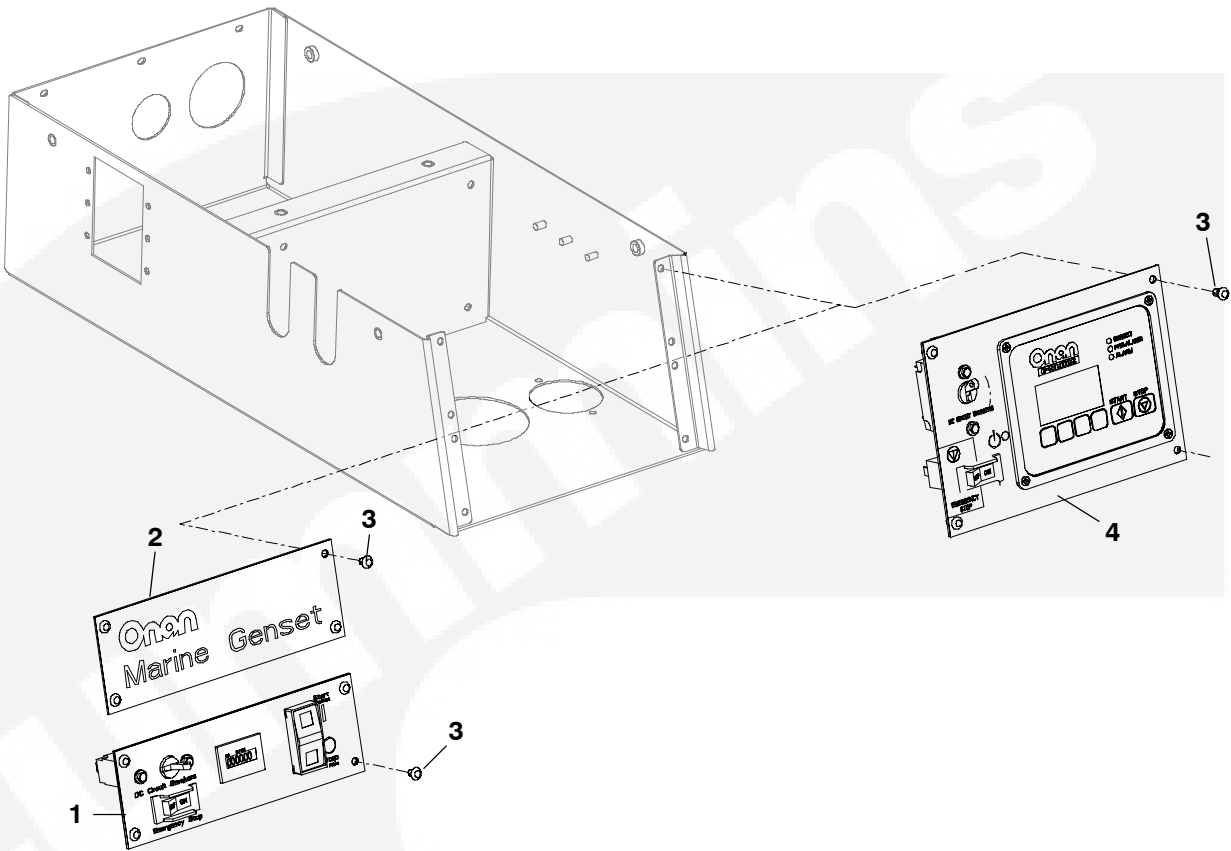


Control Box

REF NO.	PART NO.	QTY. USED	PART DESCRIPTION	REF NO.	PART NO.	QTY. USED	PART DESCRIPTION
	541-1195-03	1	Kit, PCB (J1939 No Cover)	23	800-6002	4	Screw, Hex Head Sems (M5 x .8 x 10mm)
	541-1195-04	1	Kit, PCB (SmartCraft No Cover)				J1939 /Smartcraft
1	319-6227-03	1	Control, Box				
2	402-0681-01	3	Isolation, Vibration	24	338-4491	1	Harness, Accessory J1939/Smartcraft
3	818-0231-01	6	Rivet, Pop				
4	319-6228-03	1	Cover, Box	25			Nut, Nylon Locking (M5)
5	319-4404	1	Cover		870-2062	2	Neg/Iso Gnd 1-3 Phase 12 and 24v
6	332-3750	1	Guide, Card				
7	508-1105	2	Grommet, Remote		870-2062	4	J1939 /Smartcraft
8	517-0136	2	Plug, Hole	26	307-2767	2	Relay, SPDT (12V)
9	800-6395-01	6	Screw, Hex Head Cap (M6 x 1 x 16mm)	27	307-2819	2	Relay, SPDT (24V)
10	526-2100	3	Washer, Flat (M8)	28	517-0138-05	1	Plug, Hole
11			Standoff, Insulation	29	517-0138-08	1	Plug, Hole
	332-2370	2	Single Phase Neg 12V-24V	30			Circuit, Breaker MDKBT
	332-2370	3	Three Phase Neg/ISO 12V-24V				100 Amps 2 Pole
	332-2370	4	Three Phase ISO 12V-24V		320-1689-18	1	115 Amps 2 Pole
12			Washer, Flat (6.75 ID)		320-2332-01	1	50 Amps 3 Pole
	526-0052	6	Single Phase Neg 12V-24V		320-1891-10	1	70 Amps 3 Pole
	526-0052	7	Three Phase Neg 12V-24V		320-1836-12	1	75 Amps 3 Pole
	526-0052	8	Single Phase ISO 12V-24V		320-1836-13	1	80 Amps 3 Pole
	526-0052	9	Three Phase ISO 12V-24V		320-1836-14	1	85 Amps 3 Pole
13			Screw, Hex Flange (1/4-20 x 3/8")		320-1836-15	1	90 Amps 3 Pole
	821-0009	4	Single Phase Neg 12V-24V		320-1836-16	1	95 Amps 3 Pole
	821-0009	6	Three Phase Neg 12V-24V		320-1836-17	1	100 Amps 3 Pole
	821-0009	8	Three Phase ISO 12V-24V		320-1836-18	1	MDKBU
14	856-0006	4	Washer, ETIT Locking (1/4)		320-1689-18	1	100 Amps 2 Pole
15	871-0016	5	Nut, Hex (.25-20UNC)		320-1891-10	1	50 Amps 3 Pole
16	810-0155	2	Screw, Round, Head (.25-20UNC 1.25")		320-1891-11	1	55 Amps 3 Pole
17	337-2795	1	Strap, Bond		320-2332-01	1	115 Amps 2 Pole
18	853-0016	2	Washer, ET Lock (5/16")		320-2332-02	1	125 Amps 2 Pole
19	821-6003-01	1	Screw, Hex Head Cap (M8 x 1.25 x 16mm)		320-1836-15	1	85 Amps 3 Pole
20	800-6062	3	Screw, Hex Head Cap (M8 x 1.25 x 45mm)		320-1836-16	1	90 Amps 3 Pole
21			Screw, XREC Pan Head (6-32 x .312")		320-1836-17	1	95 Amps 3 Pole
	815-0550-03	4	Single Phase		320-1836-18	1	100 Amps 3 Pole
	815-0550-03	6	Three Phase		320-1836-19	1	110 Amps 3 Pole
22			Assy, NIM PCB				
	327-1659-01	1	NIM /J1939				
	327-1659-02	1	NIM /Smartcraft				

* - Included In PCB Kits, PCB Assembly, Accessory Harness Instructions and Hardware.

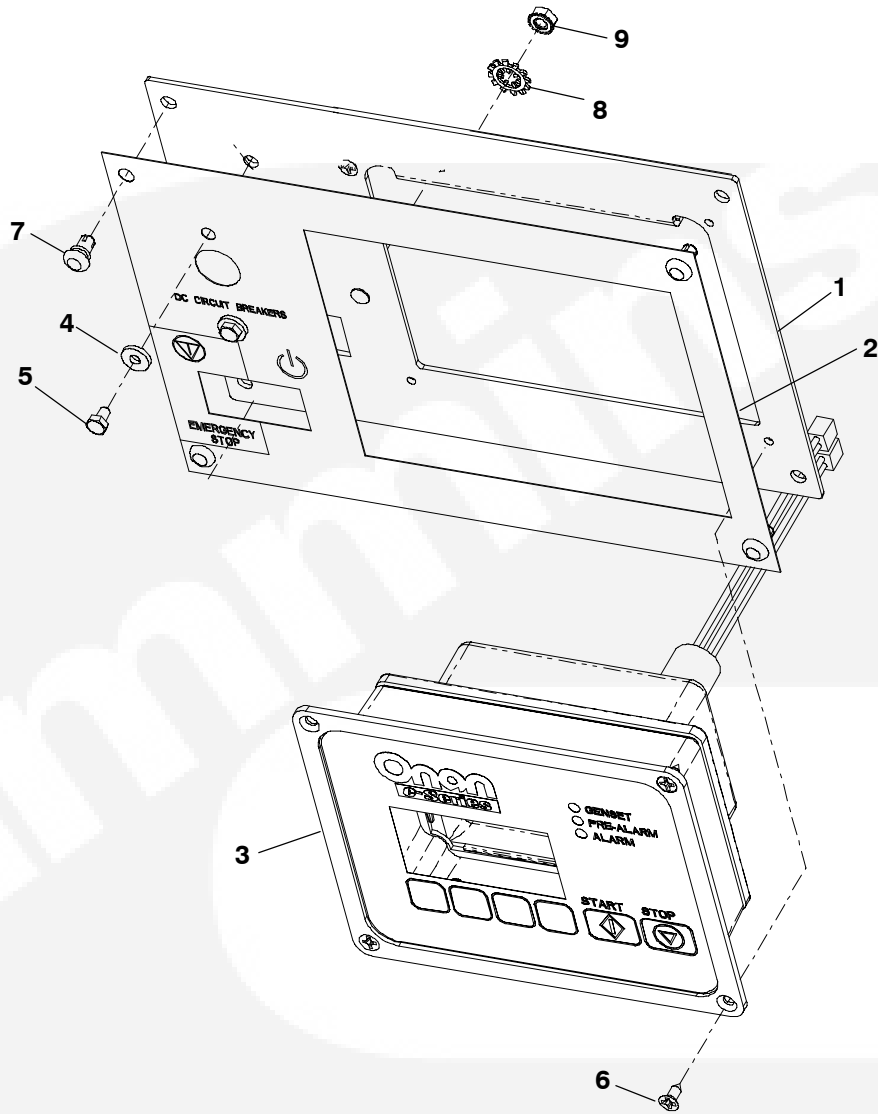
Control Panel Components



REF NO.	PART NO.	QTY USED	PART DESCRIPTION
1	300-5476-09	1	Assy Panel, Engine 12V
	300-5476-10	1	24V
2	300-5474	1	Assy Panel, Blank (Std)
3	818-1150-03	8	Rivet, Drive Plastic (Std) Standard
		4	eSDD
		1	Assy Control (eSDD) (See NIM Option Page)
4	300-5944-01	1	



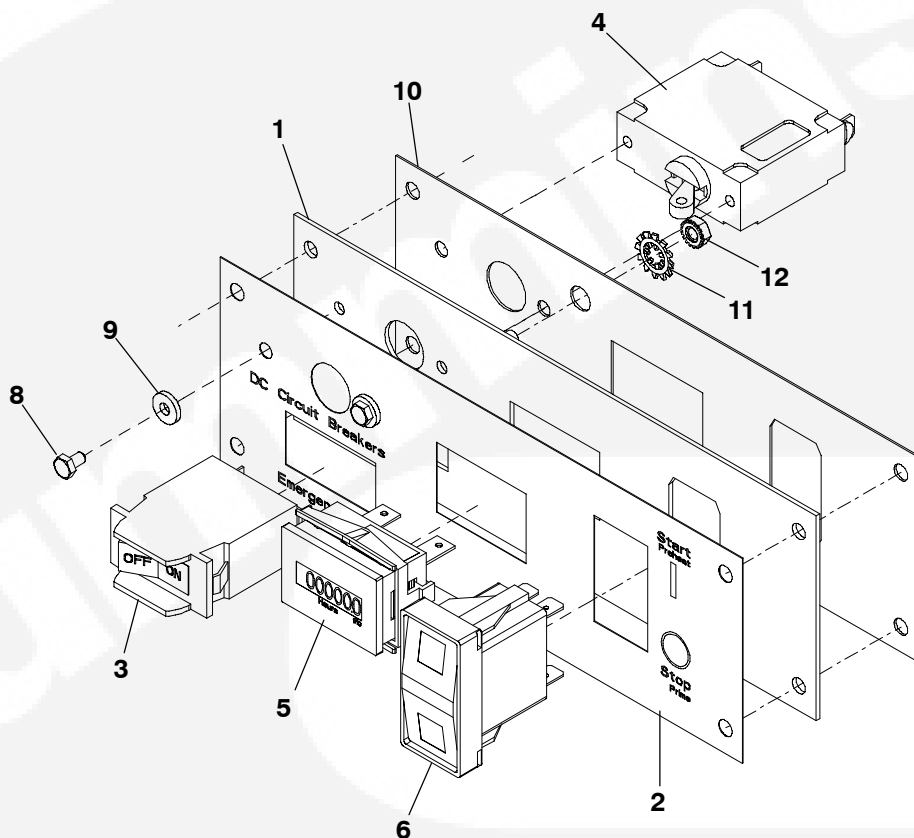
Control Panel Kit



REF NO.	PART NO.	QTY USED	PART DESCRIPTION	REF NO.	PART NO.	QTY USED	PART DESCRIPTION
	541-1130	1	Kit, Control (Includes Instruction Sheet Control and Screws)	6	814-2155-01	4	Screw, Flat Head XREC (M3.5 x 9.5mm)
1	319-5544-02	1	Panel, Display	7	818-1150-03	4	Rivet, Driver
2	98-8323	1	Label, Information (Display)	8	856-0003	1	Washer, ETITE Locking (#10)
3	300-6018	1	Assy, Control	9	870-0131	1	Nut, Sems ET (#10-32)
4	526-0399-05	2	Washer, Flat DAC (#6)				
5	800-0309-10	2	Screw, Hex Head Mach (#6-32UNC x .250Lg)				

* - Also includes Instruction sheet 000C-0671.

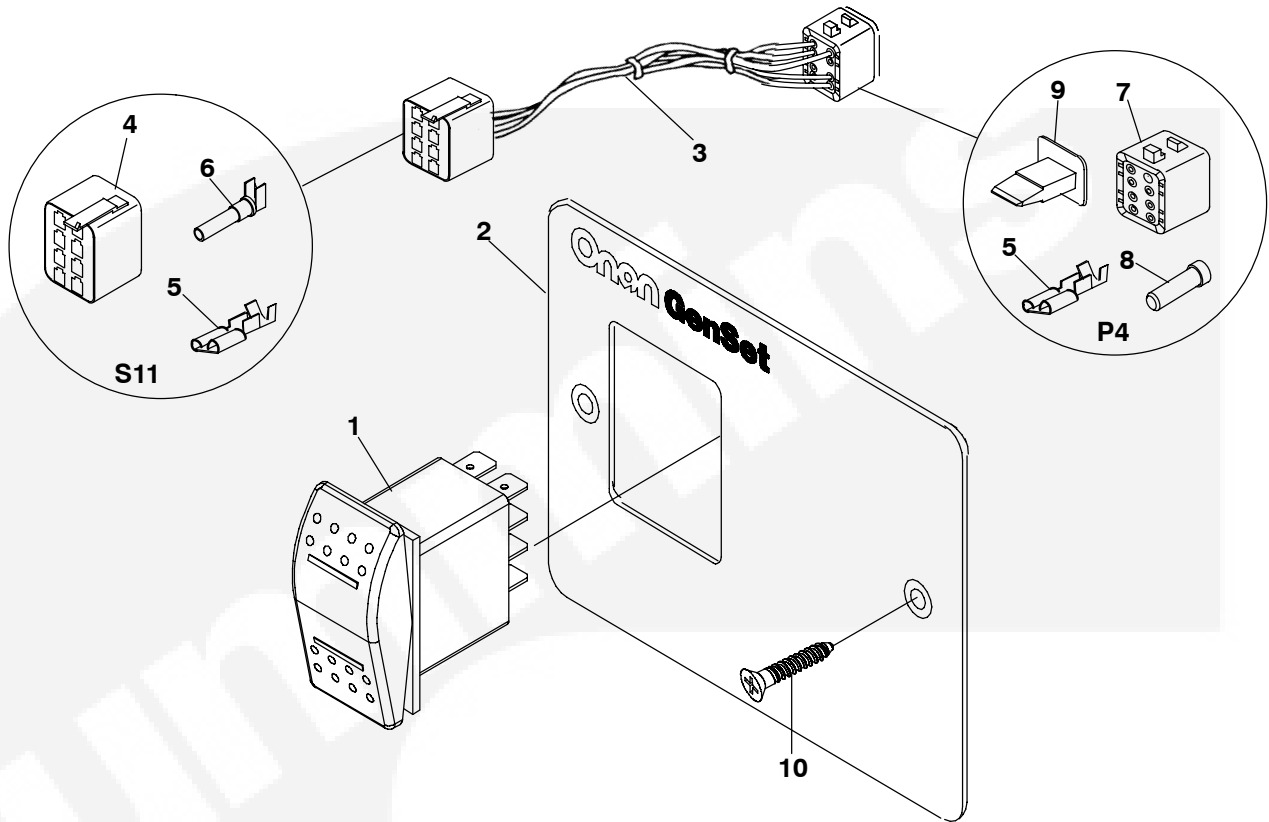
Control Panel Components (Breaker Switch Option)



REF NO.	PART NO.	QTY. USED	PART DESCRIPTION	REF NO.	PART NO.	QTY. USED	PART DESCRIPTION
			Assy, Engine Panel (All Parts Included)	7	338-4790	1	Harness, Control
	300-5476-09	1	12V	8	800-0309-10	2	Screw, Hex Head (6-32 x 1/4")
	300-5476-10	1	24V	9	526-0399-05	2	Washer, Flat (#6)
1	319-4368-06	1	Panel, Control	10	319-4467-02	1	Panel, Control (Ground)
2	98-7781	1	Label, Control	11	856-0003	1	Washer, EIT Lock (#10)
3	320-2361	1	Breaker, Circuit (15 Amp)	12	870-0131	1	Nut, Sems EIT
4	320-2362	1	Breaker, Circuit (50 Amp)				
5	302-2048	1	Meter, Hour				
6			Switch, Rocker SPDT				
	308-1218	1	12VDC				
	308-1219	1	24VDC				

* - See Control Box for Location.

Remote Control Panel



REF NO.	PART NO.	QTY. USED	PART DESCRIPTION	REF NO.	PART NO.	QTY. USED	PART DESCRIPTION
			Kit, Remote Switch Harness (Includes Parts Marked +)	6	323-1492	6	*Terminal, Socket
	541-0941-01	1	12V	7	323-1541	1	*Plug, (8 Pin)
	541-0941-02	1	24V	8	323-1491	3	*Plug, Seal
			Kit, Panel Remote (Includes Parts Marked #)	9	323-1543	1	*Wedge, Plug (8 Pin)
	300-5725-01	1	12V	10	815-0910	2	#Screw, Wood (#6 x 1)
	300-5725-02	1	24V	11	98-8092	1	+Label, Instructions
1			#+Switch, Rocker (S11)	12	98-8081	1	#+Label, Warning
	308-1101	1	12V				
	308-1102	1	24V				
2	319-4996	1	#Panel, Remote (Includes Printing)				
3	338-3988	1	#+Harness, Remote Panel (Includes Parts Marked *)				
4	308-1019	1	*Connector, Switch (S11)				
5	332-2890	6	*Terminal, Receptacle (.25")				

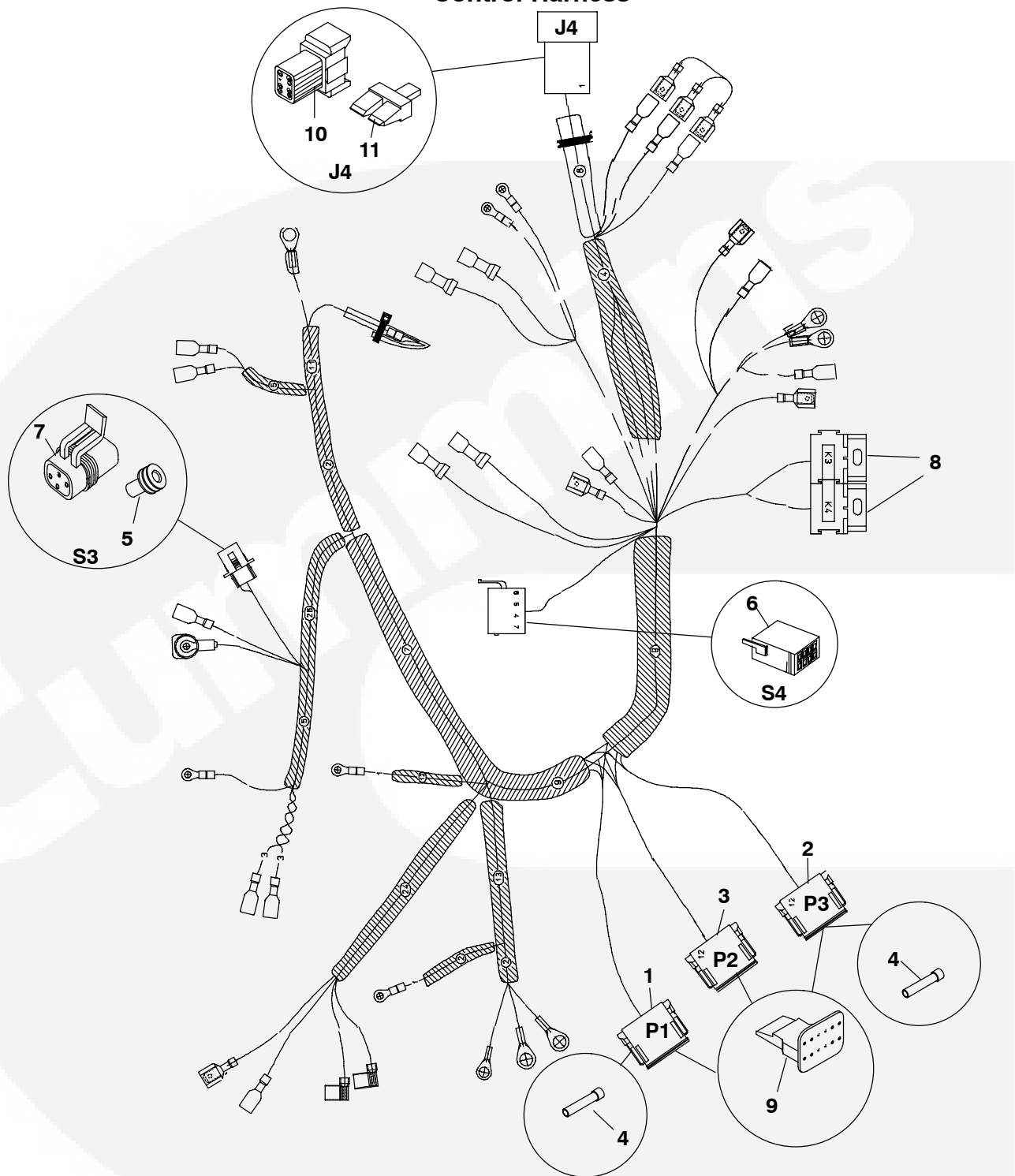
- Parts Included in Remote Panel.

+ - Parts Included in Remote Switch Harness. Instructions included in Kits only

“Blank Sheet”

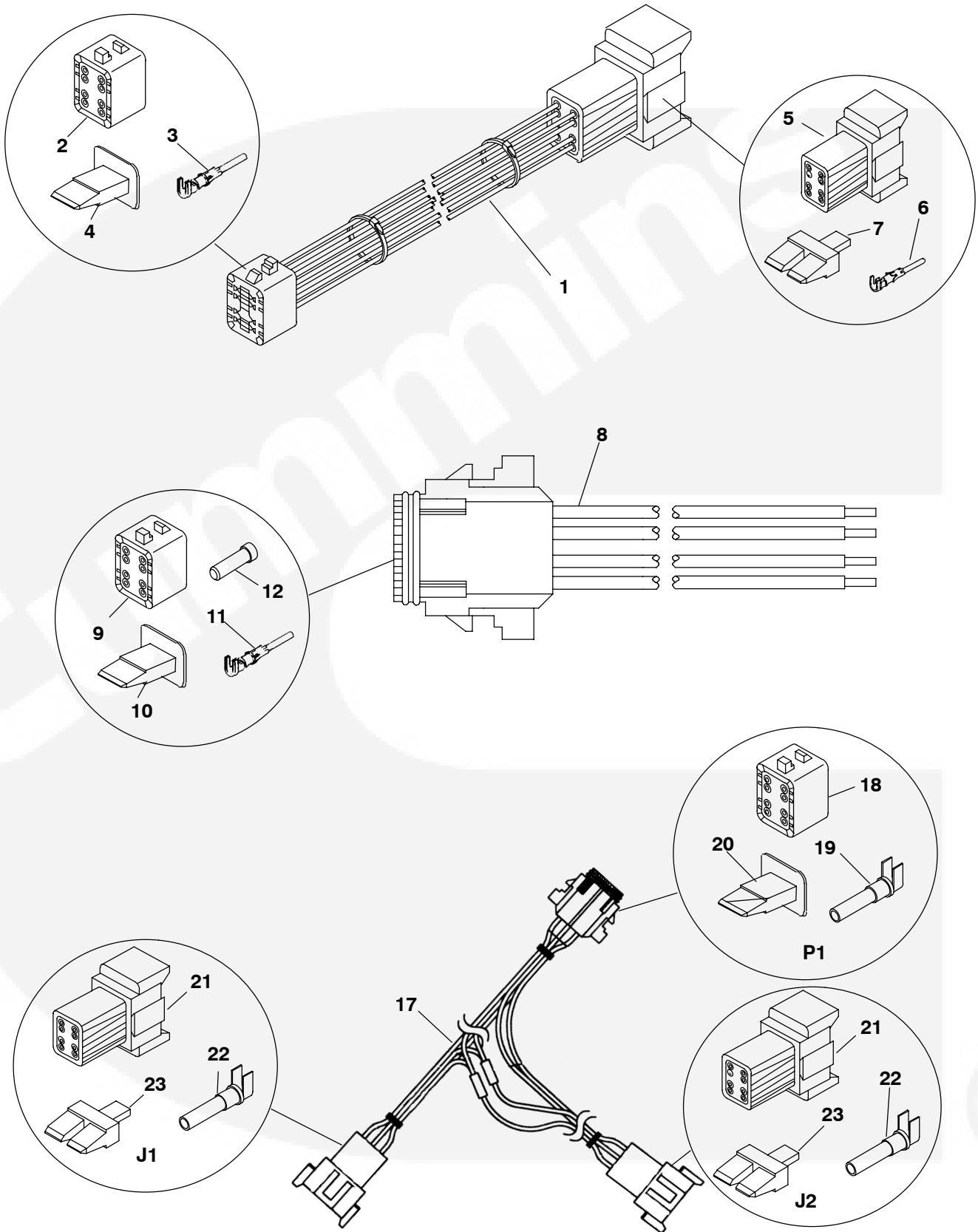


Control Harness

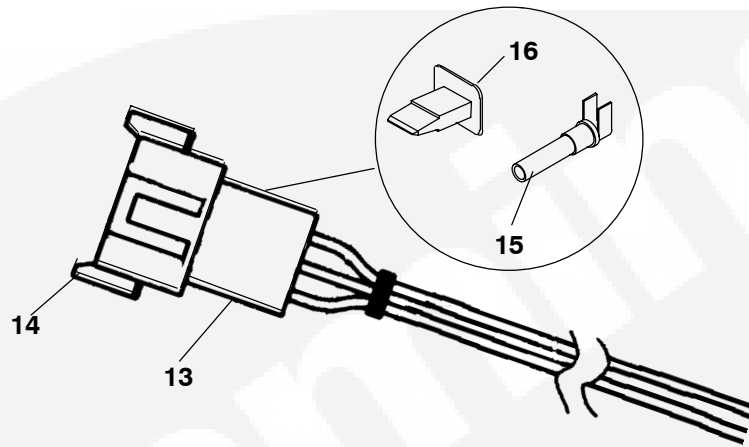


REF NO.	PART NO.	QTY. USED	PART DESCRIPTION	REF NO.	PART NO.	QTY. USED	PART DESCRIPTION
	338-4790	1	Harness, Control	7	323-1765	1	Connector, Housing 4 Pin (S3)
1	320-1582-06	1	Plug (12 Pin, Black P1)	8	323-1563	1	Socket, Relay
2	323-1582-05	1	Plug (12 Pin, Gray P2)	9	323-1583	3	Plug, Wedge 12 Pin, P1, P2, P3
3	323-1582-07	1	Plug (12 Pin, Green P3)	10	323-1542	2	Connector, Receptacle 8 Pin (J4, J8)
4	323-1591	AR	Plug (P1)	11	323-1544	2	Receptacle, Wedge(J4, J8)
5	323-1708	AR	Seal,Cable(S3)	12	98-7917	1	Label, Information (Relay)
6	308-1019	1	Switch, Connector (S4)				

Wiring Harnesses



Wiring Harnesses



REF NO.	PART NO.	QTY. USED	PART DESCRIPTION	REF NO.	PART NO.	QTY. USED	PART DESCRIPTION
1			Harness, Remote Extension (Includes Parts Marked #)	13	338-4017	1	Harness, Pigtail (Includes Parts Marked @)
	338-3167	1	15 feet	14	323-1542	1	@Connector, Receptacle (8 Pin)
	338-3168	1	25 feet	15	323-1491	AR	+Terminal, Pin
	338-3169	1	45 feet	16	323-1544	2	@Wedge, Lock (8 Pin)
	338-3169-01	1	75 feet				
	338-3169-02	1	100 feet	17	338-4016	1	Harness, Junction (Includes Parts Marked +)
	338-3169-03	1	150 feet				
2	323-1541	1	#Plug (8 Pin)	18	323-1541	1	±°Plug, Connector (8 Pin)
3	323-1492	8	#Terminal, Socket	19	323-1492	AR	±°Terminal, Socket
4	323-1543	1	#Wedge, Plug (8 Pin)	20	323-1543	1	±°Wedge, Plug (8 Pin)
5	323-1542	1	#Receptacle, (8 Pin)	21	323-1542	2	+Connector, Receptacle (8 Pin)
6	323-1491	8	#Terminal, Pin	22	323-1491	AR	@Terminal, Pin
7	323-1544	1	#Wedge, Receptacle (8 Pin)	23	323-1544	2	+Wedge, Lock, Receptacle (8 Pin)
8	338-4223	1	Harness, Remote Panel				
9	323-1541	1	Plug (8 Pin)				
10	323-1543	1	Wedge, Plug (8Pin)				
11	323-1492	AR	Terminal, Socket				
12	323-1591	AR	Plug, Seal				

- Parts Included in Remote Extension Harness.
 * - Parts Included in Custom Pigtail Harness.
 ° - Parts Included in Adapter Harness.
 .+ - Parts Included in Junction Harness.
 .@ - Parts Included in Pigtail Harness.



Labels, Kits

REF NO.	PART NO.	QTY USED	PART DESCRIPTION	REF NO.	PART NO.	QTY USED	PART DESCRIPTION
98-8601		1	Label, Information (Housed Includes Parts Marked *)	98-8602		1	Label, Information (Housed w/ PTO, Includes Parts Marked ^)
98-8567		1	Label, Information Includes Parts Marked +)	98-8569		1	Label, Information
98-8597		1	+Label, Information Ground	98-8563		1	Label, Information (Housed)
98-8594		1	+Label, Warning (Unhoused)	98-8566-02		1	^Label, Information (Housed w/ PTO)
98-8603		1	+Label, Information	98-8566-01		1	^Label, Information (Housed w/ PTO)
98-8590		1	+Label, Danger	100-3478-60		1	Kit, Cruise Includes
98-8599		1	+Label, Warning				All of The Following Items:
98-8608		1	+Label, Information (Service)	149-2804		2	Filter, Fuel
98-8592		1	+Label, Warning	122-0906		2	Filter, Oil
98-7850		2	Label, Onan E-QD (Housed)	541-1316		2	Kit Pump, Service
98-8600		1	*Label, Information (Oil Fill Housed)	511-0237		2	Belt
98-7869		4	*Label, Warning (Housed)	130-4434		2	Pencil, Zinc
98-8596		2	*Label, Information (Lifting (Housed)	417-0233		2	Box, Cruise Kits
98-8595		1	*Label, Information (Coolant (Housed)	300-5725-01		1	Kit, Remote Panel
			Label, Information (No Step)	300-5725-02		1	Kit, Remote Panel
98-8593		2	+ Housed	332-3771		1	Kit, Terminal Boot
98-8593		1	* Unhoused	541-0941-01		1	Kit, Remote Switch
			Label, Warning (Coolant)	541-0941-02		1	Kit, Remote Switch
98-8591		2	+ Housed				
98-8591		1	* Unhoused				



Numerical Index

<u>Part No.</u>	<u>Page</u>	<u>Part No.</u>	<u>Page</u>	<u>Part No.</u>	<u>Page</u>	<u>Part No.</u>	<u>Page</u>
098-4798-01,	56	103-0838,	27	110-3986,	7	130-3570,	49
098-7781,	70	103-0839,	27	112-0310,	8	130-3571,	49
098-7850,	76	103-0840,	47	112-0311,	8	130-3572,	49
098-7869,	76	103-5387-01,	45	112-0312,	8	130-3573,	49
098-7917,	73	104-2080,	8	114-0421,	8	130-3574,	49
098-8081,	71	104-2081,	8	114-0422,	8	130-3721,	51
098-8092,	71	104-2082,	8	114-0423,	8	130-4434,	76
098-8183,	65	104-2083,	8	114-0424,	8	130-4803-02,	45
098-8323,	69	104-2084,	8	114-0425,	8	130-6733-02,	44
098-8563,	76	104-2085,	8	115-0519,	10	130-6958-01,	56
098-8566-01,	76	104-2086,	8	115-0520,	10	130-6958-02,	57
098-8566-02,	76	104-2087,	8	115-0521,	10	130-7038-03,	56, 57
098-8567,	76	104-2088,	8	115-0522,	10	130-7069-03,	44
098-8569,	76	104-2089,	11	115-0523,	29	130-7127,	56, 57
098-8590,	76	104-2090,	11	115-0524,	10	130-7343,	53
098-8591,	76	104-2091,	12	115-0525,	29	130-7354,	32
098-8592,	76	104-2092,	8	115-0526,	10	130-7355,	32
098-8593,	76	104-2093,	12	115-0527,	9	130-7361,	32
098-8594,	76	104-2094,	12	120-1365-03,	18	130-7416,	32
098-8595,	76	104-2095,	12	120-1366,	28	130-7417,	32
098-8596,	76	104-2096,	8	120-1367,	28	130-7421,	17
098-8597,	76	105-0746,	9	120-1368,	18	132-0283,	46
098-8599,	76	105-0747,	27	120-1369,	9	132-0293,	46
098-8600,	76	105-0748,	9	122-0906,	17, 76	132-0348,	46
098-8601,	76	110-3896,	32	122-0907,	17	132-0368,	46
098-8602,	76	110-3948,	10	123-2299,	17, 29	132-0392,	46
098-8603,	76	110-3959,	10	123-2323,	16	132-0393,	46
098-8608,	76	110-3960,	10	123-2324,	16	132-0464,	44, 45
100-3478-60,	76	110-3975,	10	123-2327,	29	132-0469,	46
100-3895-01,	6	110-3976,	7	123-2328,	17, 29	132-0470,	46
100-3895-02,	6	110-3977,	6	123-2331,	16	132-0472,	46
101-0849,	28	110-3978,	7	123-2332,	29	132-0473,	46
101-0851,	15	110-3979,	7	123-2333,	29	132-0474,	46
101-0852,	15	110-3980,	6	123-2334,	29	132-0485,	33
102-1532,	18	110-3982,	10	123-2335,	29	132-0486,	33
102-1533,	17	110-3983,	10	123-2336,	19	132-0487,	47
103-0836,	28	110-3984,	10	123-2337,	29	132-0488,	33
103-0837,	27	110-3985,	7	123-2338,	29	132-0490,	47

Numerical Index

<u>Part No.</u>	<u>Page</u>	<u>Part No.</u>	<u>Page</u>	<u>Part No.</u>	<u>Page</u>	<u>Part No.</u>	<u>Page</u>
134-5299-02,	58	150-2904,	22	185-2759,	27	185-5392,	26
140-3998,	30	150-2905,	21	185-2826,	17, 18, 19, 27,	185-5393,	26
140-4025-03,	30	150-2906,	21		34	185-5394,	26
147-0905,	25, 26	150-2907,	22	185-2977,	22	185-5395,	26
147-0907,	24	150-2908,	23	185-3082,	27	185-5396,	26
147-0908,	27	150-2909,	23	185-3095,	47	185-5397,	26
147-0909,	25, 26	150-2910,	23	185-4146,	22	185-5398,	26
147-0910,	24	150-2918,	20	185-4710,	27	185-5399,	26
147-0911,	27	150-2919,	21	185-5145,	22	185-5400,	26
147-0912,	27	154-3197,	51	185-5337,	25, 26	185-5401,	26
147-0913,	19	154-3225,	31	185-5363,	26	185-5402,	26
147-0914,	26	154-3232,	31	185-5364,	26	185-5403,	26
149-1908-05,	41, 42	155-4486,	51	185-5365,	26	185-5404,	26
149-1914-05,	42	155-4487-02,	51	185-5366,	26	185-5405,	26
149-1949,	42	155-4584-02,	51	185-5367,	26	185-5406,	26
149-1952,	42	155-4586-02,	51	185-5368,	26	185-5495,	28
149-1953,	42	155-4599,	51	185-5369,	26	185-5502,	6, 7
149-2041-03,	41	155-4641,	53	185-5370,	26	185-5612,	25
149-2045,	42	181-9013,	22	185-5371,	26	185-5613,	25
149-2046,	42	181-9018,	16	185-5372,	26	185-5615,	25
149-2047,	42	181-9205,	22	185-5373,	26	185-5616,	26
149-2073,	38, 41	181-9230,	18	185-5374,	26	185-5618,	26
149-2612,	38	184-0017,	21	185-5375,	26	185-5619,	26
149-2645,	38	185-0753,	27	185-5376,	26	185-5621,	26
149-2654,	38	185-2077,	10	185-5377,	26	185-5681,	23
149-2655,	38	185-2180,	23	185-5378,	26	185-5682,	23
149-2765-03,	38	185-2188,	7	185-5379,	26	185-5798,	6
149-2783-01,	38	185-2233,	6, 7	185-5380,	26	185-5826,	32
149-2783-02,	38	185-2284,	23	185-5381,	26	185-5840,	6
149-2804,	37, 76	185-2338,	6, 23, 27, 37	185-5382,	26	185-5841,	6
149-2817,	37	185-2343,	32	185-5383,	26	185-5842,	6
149-2818,	27	185-2350,	27	185-5384,	26	185-5845,	6
149-2819,	37	185-2353,	8	185-5385,	26	185-5861,	7
149-2820,	27	185-2354,	9	185-5386,	26	185-5863,	10
150-290,	21	185-2370,	27	185-5387,	26	185-5900,	9
150-2900,	22	185-2385,	25	185-5388,	26	185-5924,	11
150-2902,	21	185-2412,	7	185-5389,	26	185-5980,	24, 37
150-2903,	21	185-2413,	6	185-5390,	26	185-5985,	25, 26
				185-5391,	26		

Numerical Index

<u>Part No.</u>	<u>Page</u>	<u>Part No.</u>	<u>Page</u>	<u>Part No.</u>	<u>Page</u>	<u>Part No.</u>	<u>Page</u>
185-6016,	10	190-0858-02,	50	191-2445,	14	305-1041,	35
185-6017,	10	190-0861-03,	64	191-2446,	35	306-5250,	21
185-6019,	10	190-0862-03,	64	191-2447,	14	306-5251,	21
185-6025,	21	190-0864-03,	64	193-0244,	28	306-5289-01,	20
185-6029,	10	190-0865-03,	57	193-0318,	45	306-5289-02,	20
185-6030,	10	190-0866-03,	57	193-0430-01,	28	307-1617,	54
185-6033,	7	190-0887,	14	193-0457-01,	45	307-2656,	54
185-6048,	27	190-2432,	35	193-0468,	51	307-2767,	67
185-6154,	24	190-2433,	35	201-3641-06,	65	307-2819,	67
185-6481,	32, 33	191-2169-01,	36	201-3641-07,	65	307-3124,	14
185-6484,	23	191-2169-02,	36	201-3642-02,	65	307-3125,	14
185-6499,	29, 31, 33	191-2170,	36	201-3655,	35	308-1019,	71, 73
185-6580,	6	191-2409-02,	36	201-3656,	35	308-1101,	71
185-6695,	10	191-2410-03,	36	205-0229-02,	65	308-1102,	71
185-6722,	17, 32	191-2411,	36	211-0465-02,	65	308-1218,	70
185-6749,	10	191-2420,	34, 35	212-1311,	14	308-1219,	70
185-6786,	34	191-2421,	34, 35	212-1312,	14	309-0597-03,	51
185-6825,	26	191-2422,	13, 14	220-4671-06,	65	309-0667,	44, 45
185-6856,	6	191-2423,	13, 14	220-4671-07,	65	319-4368-06,	70
185-6930,	23	191-2425,	14	220-4672-06,	65	319-4404,	67
185-6931,	23	191-2426,	14	220-4672-07,	65	319-4467-02,	70
185-7090,	22	191-2427,	34	226-4976,	54	319-4996,	71
185-7134,	19, 24, 27	191-2428,	14	232-3206-02,	65	319-5544-02,	69
185-7166,	6	191-2429,	14	232-3815-04,	65	319-6227-03,	67
185-7216,	28	191-2430,	14	232-3826-02,	65	319-6228-03,	67
185-7300,	10	191-2431,	14	232-3945,	65	319-6748,	28
185-7425,	27	191-2433,	35	300-4434,	65	320-1582-06,	73
190-0729-01,	50	191-2434,	35	300-4435,	65	320-1689-18,	67
190-0729-02,	50	191-2435,	14	300-4686,	44	320-1836-12,	67
190-0766-03,	50	191-2436,	14	300-5474,	68	320-1836-13,	67
190-0767-02,	50	191-2437,	35	300-5476-09,	68, 70	320-1836-14,	67
190-0768,	50	191-2438,	35	300-5476-10,	68, 70	320-1836-15,	67
190-0771-02,	50	191-2439,	14	300-5725-01,	71, 76	320-1836-16,	67
190-0771-04,	50	191-2440,	14	300-5725-02,	71, 76	320-1836-17,	67
190-0771-06,	50	191-2441,	14	300-5944-01,	68	320-1836-18,	67
190-0855-02,	50	191-2442,	14	300-6018,	69	320-1836-19,	67
190-0856-02,	50	191-2443,	14	302-2048,	70	320-1891-10,	67
190-0857-02,	50	191-2444,	14	305-1040,	35	320-1891-11,	67

Numerical Index

<u>Part No.</u>	<u>Page</u>	<u>Part No.</u>	<u>Page</u>	<u>Part No.</u>	<u>Page</u>	<u>Part No.</u>	<u>Page</u>
320-2332-01,	67	338-3169-03,	75	405-9553,	58	502-1451-01,	43
320-2332-02,	67	338-3988,	71	405-9554,	58	502-1583,	48
320-2361,	70	338-4016,	75	405-9558,	58	502-1584,	39, 40
320-2362,	70	338-4017,	75	405-9559,	58	502-1599,	37
323-1491,	71, 75	338-4200-02,	54	405-9560,	61	502-1602,	37
323-1492,	71, 75	338-4223,	75	405-9561,	64	502-1603,	19
323-1541,	71, 75	338-4491,	67	405-9562,	64	502-1604,	6, 32, 33
323-1542,	73, 75	338-4623-01,	59, 60	405-9563,	64	502-1606,	37
323-1543,	71, 75	338-4790,	70, 73	405-9564,	64	502-1608,	19
323-1544,	73, 75	357-0156,	35	405-9567,	61	502-1609,	24
323-1563,	73	357-0157,	35	405-9568,	62	502-1611,	37
323-1582-05,	73	402-0676-01,	55	405-9707-03,	58	503-1137,	45
323-1582-07,	73	402-0681-01,	67	405-9731,	64	503-1138,	43, 44, 45, 48
323-1583,	73	403-3955,	55	405-9732,	63	503-1139,	30, 44
323-1591,	73, 75	403-6043-02,	55	405-9751-03,	62	503-1140,	44, 45
323-1623,	65	403-6064-02,	55	405-9752-03,	62	503-1142,	30
323-1708,	73	403-6089-03,	12	405-9764-02,	59, 60	503-1144,	30
323-1765,	73	405-6919,	58	405-9841,	58	503-1692,	49
327-1450,	58	405-6993-02,	62	406-0958,	62	503-1872-02,	53
327-1659-01,	67	405-6995-02,	62	406-1032,	62, 63	503-1872-05,	44
327-1659-02,	67	405-7257,	61	406-1170,	9	503-1872-06,	52, 53
332-1571,	51	405-9299-03,	58	406-1171,	9	503-2309,	38, 39, 40, 43
332-2370,	67	405-9300-03,	58	417-0233,	76	503-2715,	44
332-2890,	71	405-9301-03,	58	501-0910,	18	503-2716,	44, 45
332-3750,	67	405-9307-03,	58	501-0981,	25	503-2717,	44, 45
332-3771,	59, 76	405-9308-03,	58	501-0982,	25	503-2728-01,	43
333-0732-02,	54	405-9314-03,	64	501-0983,	25	503-2773,	52
333-0745,	25	405-9315-03,	63	501-0984,	25	503-2774,	52
333-0746,	25	405-9331-03,	61	501-0985,	25	503-2782,	30
337-2784-02,	59, 60	405-9336-03,	63	502-0020,	41	503-2787-01,	38
337-2785,	59, 60	405-9473,	52	502-0029,	41	503-2788-01,	38
337-2795,	67	405-9475,	48	502-0029-03,	28	503-2788-02,	38
337-3926,	25	405-9507-03,	64	502-0054,	38	503-2788-03,	39, 40
338-3167,	75	405-9508-03,	58	502-0153,	42	503-2792,	48
338-3168,	75	405-9517-03,	63	502-1123,	18	503-2793,	48
338-3169,	75	405-9547,	63	502-1133,	39, 40	503-2814,	48
338-3169-01,	75	405-9548,	61	502-1218,	39, 40	503-2823,	44, 45, 48
338-3169-02,	75	405-9552,	58	502-1425-02,	43	503-2837-01,	39, 40

Numerical Index

<u>Part No.</u>	<u>Page</u>	<u>Part No.</u>	<u>Page</u>	<u>Part No.</u>	<u>Page</u>	<u>Part No.</u>	<u>Page</u>
503-2843,	44, 45	507-0020,	8	510-0244,	8	518-0765,	21
503-2846-01,	30	507-0021,	12	511-0237,	34, 36, 76	518-0766,	10
503-2865-13,	59, 60	507-0022,	14	512-0367,	35	518-0767,	47
503-2871,	44	507-0023,	14	512-0368,	34	518-0768,	47
503-2872,	45	508-0021,	63, 64	512-0369,	34	518-0769,	9
503-2901,	29	508-1039,	43	515-0321,	11	518-0770,	14
503-2902,	17	508-1105,	67	516-2113,	21	518-0771,	31
503-2903,	17	508-1152,	58	516-2116,	6	518-1218,	38
503-2904,	17	508-1203,	43	516-2117,	6	519-0745,	46
503-2905,	32	508-1278,	30	516-2118,	9	520-2674,	13
504-0223,	43	509-0368,	58	516-2119,	27	520-2678,	27
504-0309,	28	509-0414,	17, 29	516-2120,	21	520-2679,	51
504-0310,	6	509-0447,	46	516-2122,	6	526-0029,	59, 60
505-1503,	50	509-0450,	44, 45, 47	516-2123,	6	526-0045,	36
505-2258,	24	509-0459,	46	516-2124,	21	526-0052,	67
505-2371,	6	509-0460,	15	517-0131-02,	48, 52	526-0063,	20
505-2378,	32	509-0461,	28	517-0136,	67	526-0172,	55
505-2379,	32	509-0463,	28	517-0136-01,	39, 40, 58,	526-0174,	36, 50
505-2380,	28	509-0464,	18		63, 64	526-0366-60,	39
505-2381,	32	509-0465,	28	517-0138-04,	55	526-0399-05,	69, 70
505-2383,	28	509-0466,	33	517-0138-05,	67	526-0399-41,	30
505-2384,	28	509-0467,	47	517-0138-06,	48	526-0399-42,	65
506-0042,	28	509-0468,	17	517-0138-08,	67	526-0399-58,	54, 56, 57
506-0043,	10	509-0471,	37	517-0386,	16	526-0399-60,	40, 48, 56,
506-0044,	14	509-0472,	37	517-0392-23,	61		57, 59, 60
506-0045,	22	509-0474,	19	517-0393,	52	526-0399-62,	65
506-0046,	22	510-0112,	65	517-0402,	29	526-0399-64,	30, 38, 44,
506-0047,	22	510-0230,	46	517-0404,	6		50, 55, 59, 60
506-0048,	26	510-0232,	21	517-0405,	27	526-0399-73,	12, 65
506-0049,	21	510-0233,	27	517-0406,	10	526-0451,	50
506-0051,	21	510-0235,	14	518-0548-35,	30	526-2050,	58
507-0013,	9	510-0236,	14	518-0548-43,	59, 60	526-2100,	67
507-0014,	9	510-0237,	35	518-0548-44,	45	526-2343,	10
507-0015,	14	510-0238,	35	518-0720,	30, 38	526-2345,	14
507-0016,	9	510-0240,	27	518-0746,	44	526-3699-64,	44
507-0017,	8	510-0241,	11	518-0747,	48	541-0877-01,	43
507-0018,	47	510-0242,	11	518-0757,	39, 40	541-0941-01,	71, 76
507-0019,	27	510-0243,	9	518-0761,	8	541-0941-02,	71, 76
				518-0763,	22	541-1130,	69

Numerical Index

<u>Part No.</u>	<u>Page</u>	<u>Part No.</u>	<u>Page</u>	<u>Part No.</u>	<u>Page</u>	<u>Part No.</u>	<u>Page</u>
541-1195-03,	67	800-3027,	50	800-6427,	35	860-2084,	13, 21, 34
541-1195-04,	67	800-3032,	50, 59, 60	800-6428,	35	860-2087,	22
541-1270,	53	800-3033,	55	800-6429,	10	860-2088,	27
541-1272-01,	51	800-3042,	58	800-8395-01,	63	860-2089,	35
541-1272-02,	51	800-6002,	67	801-1050,	50	862-0003,	59, 60
541-1274,	53	800-6062,	67	803-2013,	10	862-0026-30,	54
541-1275-01,	50	800-6085,	44, 47	803-2014,	14	862-0026-54,	54
541-1275-02,	50	800-6305,	22	810-0155,	67	862-0026-55,	50
541-1279,	61	800-6333,	31	812-1158,	46	870-0131,	69, 70
541-1280-01,	56	800-6334,	15, 33	814-2155-01,	69	870-0131-01,	54
541-1280-02,	57	800-6335,	9, 28	814-2158,	27, 28	870-0221-01,	51
541-1281,	51	800-6384,	46	815-0550-03,	67	870-2062,	67
541-1282,	51	800-6392,	12	815-0600,	45, 65	870-2065-02,	45
541-1316,	46, 76	800-6395-01,	30, 45, 48, 52, 57, 58, 61, 62, 64, 67	815-0910,	71	870-2065-03,	48, 51, 59, 60
541-1317,	46	800-6402,	34	815-0916,	50	871-0016,	67
541-1392-01,	48	800-6403,	29	815-0935,	65	871-0025,	59, 60
541-1392-02,	48	800-6404,	23	818-0231-01,	58, 62, 63, 67	895-0395,	58, 62
541-1395,	64	800-6405,	6	818-1150-03,	68, 69	895-0411,	62
541-1402,	8	800-6406,	8	819-1170,	29	898-0972,	51
541-1403,	8	800-6407,	7	819-1171,	29		
725-1028,	20	800-6408,	27	821-0009,	67		
725-1103,	50	800-6409,	9, 11	821-2035,	50		
800-0027,	36	800-6410,	24, 27, 32, 34	821-6001-02,	38		
800-0090,	50	800-6411,	32	821-6003-01,	44, 55, 67		
800-0092-01,	30	800-6412,	33	823-1002-03,	59, 60		
800-0309-10,	69, 70	800-6413,	31	850-0045,	36		
800-0310-27,	65	800-6414,	27, 28, 47	850-0114-06,	65		
800-0310-36,	65	800-6416,	18	850-0114-53,	54		
800-2096,	36	800-6417,	12	850-2089,	46		
800-2118,	55	800-6418,	6, 37	853-0013,	65		
800-3017-02,	56, 57	800-6419,	13	853-0016,	54, 67		
800-3017-17,	30, 39, 40, 56, 57	800-6420,	10	853-2012,	59, 60		
800-3017-19,	51	800-6421,	34	856-0003,	69, 70		
800-3017-21,	50	800-6422,	12	856-0006,	67		
800-3017-50,	56, 57	800-6423,	12	856-0008,	59, 60		
800-3017-52,	65	800-6425,	18	860-2010,	55		
800-3025-01,	30, 38, 44, 54, 59, 60	800-6426,	14	860-2075,	23		
				860-2082,	35		



Cummins **Onan**

Cummins Power Generation

1400 73rd Ave. NE
Minneapolis, MN 55432 USA

Phone 1 763 574 5000

Toll-free 1 800 888 6626

Fax 1 763 574 5298

Email www.cumminsonan.com/contact

www.cumminsonan.com

Cummins®, Onan®, the "C" logo, and "Performance you rely on." are trademarks of Cummins Inc.

©2009 Cummins Power Generation, Inc. All rights reserved.

