

Cummins **Onan**



Parts Manual

Marine Generator Set

MDKBH (Spec A-F)

Introduction

This parts catalog applies to the standard generator set listed below. Parts are arranged in groups of related items and each illustrated part is defined by a reference number corresponding to the same reference number in the parts list. Parts illustrations are typical. Using the model and specification number from your generator set nameplate, select parts that apply to your set. Unless otherwise mentioned in the description or page heading, parts are interchangeable between models. Throughout this catalog right and left sides are determined by facing the engine end (front) of the set.

<u>MODEL</u>	<u>HERTZ</u>
4MDKBH	50
5MDKBH	60

* – The diagonal line (/) or dash (-) in the model and specification number separates generator set characteristics from the specification number and letter. The specification number denotes customer requested options or deviations from a standard model. The specification letter advances (A to B, B to C, etc.) with major manufacturing changes.

WIRING DIAGRAM

630-2694

This Page Intentionally Left Blank.

Index

A

Adapter, Engine, **31**
Adapter, Intake Resonator, **42**
Adapter, Oil Drain, **56**
Adapter, Pressure Sender Pipe, **9**
Apparatus, Idle, **23**
Arm, Rocker, **17**
Assy Bearing, Main Case, **14**
Assy Cover, Bearing Case, **14**
Assy, Control (Display), **82**
Assy, Rotor, **73**
Assy, Stator Wound, **73**

B

Ball, Crankshaft, **10 , 11**
Ball, Governor Gear, **15**
Ball, Valve Seat, **34**
Bar, Bus, **26**
Bearing, Coolant Water Pump, **44**
Bearing, Crankshaft, **10 , 11**
Bearing, Fuel Camshaft Ball, **15**
Bearing, Governor Carrier Ball, **20**
Belt, Drive, **31**
Belt, Raw Water Pump, **48**
Block, Brush, **73 , 74**
Block, Cylinder, **9**
Block, Terminal, **57**
Box, Control, **67**
Bracket, **74**
Bracket, Engine Generator, **59**
Bracket, Engine Mount, **59**
Bracket, Lifting, **31**
Bracket, Remote Fuel/Water Separator Mounting, **40**
Bracket, Rocker Arm, **17**
Breaker, Circuit, **77**
Breather, Baffle, **33**
Bush, Idle Gear, **12**
Bush, Piston, **10 , 11**
Bushing, Remote Fuel/Water Separator Pipe, **40**

C

Camshaft, **12**
Camshaft, Fuel, **15**
Cap, Coolant Recovery Tank, **49**
Cap, Cylinder Block, **9**
Cap, Cylinder Head, **16**
Cap, Exhaust, **63**
Cap, Idle Apparatus, **23**
Cap, Valve, **17**
Carrier, Governor, **20**
Case, Governor Ball, **15**
Case, Main Bearing, **13 , 14**
Circlip, Fuel Camshaft, **15**
Circlip, Piston Pin, **10 , 11**
Clamp, Hose, **42**
Clamp, Loop, **73 , 74**
Clip, Hose, **33**
Collar, Crankshaft, **10 , 11**
Collar, Idle Gear, **12**
Collar, Speed Control, **18 , 19**
Collet, Valve Spring, **17**
Components, Coolant Water Pump, **44**
Components, Injection Pump, **25**
Components, Nozzle Holder, **28**
Components, Remote Fuel/Water Separator, **41**
Connector, Fuel Hose, **37 , 39**
Connector, Raw Water Hose, **47**
Control, **77**
Coupling, Flywheel, **31**
Coupling, Fuel Elbow Anchor, **37 , 39**
Coupling, Raw Water Hose Union, **47**
Cover, Access, **69**
Cover, Breather, **33**
Cover, Control Box, **65**
Cover, Control Panel Access, **65**
Cover, Cylinder Block Hole, **9**
Cover, Cylinder Head, **33**
Cover, Cylinder Head , **33**
Cover, Enclosure, **65 , 67 , 69 , 70**
Cover, Fuel Camshaft, **15**

Index

Cover, Governor, **20**
Cover, Heat Exchanger End, **51**
Cover, Main Bearing Case, **13 , 14**
Cover, Side Panel Access, **68**
Cover, Thermostat, **43**
Cover, Top Enclosure, **65**
Cover-Enclosure, **70**
Crankshaft, **10 , 11**

D

Drain, Remote Water Separator, **41**
Drip Pan, **59**
Drive, **31**
Duct, Air, **65**
Duct, Air (Inlet), **69**
Duct, Exhaust, **68 , 69**
Duct, Intake, **31**

E

Elbow, 90 Degree Coolant Drain, **9**
Elbow, Exhaust, **63**
Elbow, Fuel Hose Female, **37 , 39**
Elbow, Fuel Pump Pipe, **37 , 39**
Elbow, Pressure Sender Pipe, **9**
Elbow, Raw Water Pump, **47**
Elbow, Remote Fuel/Water Separator Street, **40**
Element, Remote Water Separator, **41**
Enclosure, **64 , 69**
Endbell, **73**
Endbell, Generator, **74**
Engine, Replacement, **9**
Exchanger, Heat, **51**

F

Fan, Generator, **73 , 74**
Filter, Fuel, **37 , 39**
Filter, Oil, **34 , 56**
Flange, Coolant Water Pump, **44**
Flange, Injection Pump Sleeve, **25**

Flange, Water, **43**
Flywheel, **31**

G

Gasket, **24**
Gasket, Air Bleeder Screw, **26**
Gasket, Coolant Water Pump, **44**
Gasket, Cylinder Block Hole Cover, **9**
Gasket, Cylinder Head, **16**
Gasket, Delivery Valve, **25**
Gasket, Exhaust, **63**
Gasket, Gearcase, **34**
Gasket, Heat Exchanger, **51**
Gasket, Heat Exchanger End Cover, **51**
Gasket, Idle Apparatus, **23**
Gasket, Injection Pump, **25**
Gasket, Injector Nozzle, **26 , 27**
Gasket, Inlet Manifold, **60**
Gasket, Main Bearing Case, **13 , 14**
Gasket, Oil Pan, **56**
Gasket, Oil Pump, **9**
Gasket, Rocker Cover, **33**
Gasket, Speed Control Plate, **18**
Gasket, Thermostat, **43**
Gasket, Water Flange, **43**
Gear, Cam, **12**
Gear, Crankshaft, **10**
Gear, Idle, **12**
Gear, Injection Pump, **15**
Gear, Oil Pump Drive, **9**
Gearcase, **34**
Generator, **73 , 74**
Generator Begin Spec F, **74**
Governor, **20**
Grommet, **69 , 73 , 74**
Grommet (1 inch), **69**
Grommet, Air Duct, **65**
Grommet, Control Box, **67**
Grommet, Control Panel, **77**
Grommet, Enclosure, **68**

Index

Grommet, Remote, **69**

Guide, Valve, **16**

H

Hanger, Coolant Recovery Tank, **49**

Harness, Battery, **57**

Harness, Control, **77** , **79**

Harness, Customer Interface Pigtail, **81**

Harness, Extension, **81**

Harness, Genset, **77**

Harness, Iso Gnd, **58**

Harness, Junction, **81**

Harness, Remote Panel (W/Switch), **83** , **84**

Head, Cylinder, **16**

Head, Water Separator Replacement, **41**

Heatsink, **77**

Holder, Delivery Valve, **25**

Holder, Nozzle, **26** , **27**

Hook, Engine, **16**

Hose, Coolant, **51**

Hose, Coolant Recovery, **49**

Hose, Exhaust, **63**

Hose, Fuel, **37** , **39**

Hose, Intake, **42**

Hose, Raw Water Pump Coolant, **47**

Hourmeter, **77**

Housing, Terminal, **74**

Hub, Flywheel Flex Coupling, **31**

I

Impeller, Coolant Water Pump, **44**

Impeller, Raw Water Pump, **47**

Indicator, Oil, **55**

Insulation, Air Duct, **65**

Insulation, Cover, **65** , **70**

Insulation, Housing, **65** , **67** , **68**

Insulation, Side Panel, **65**

Insulation, Top Cover, **65**

Isolator, Vibration, **59**

J

Joint, Injection Pump Eye, **24**

Joint, Oil Filter Pipe, **34**

K

Key, Camshaft Feather, **12**

Key, Crankshaft Feather, **10** , **11**

Key, Fuel Camshaft Feather, **15**

Key, Oil Pump Feather, **9**

Kit Break Siphon, **52**

Kit, Control (Display), **82**

Kit, Coolant Recovery, **49**

Kit, Cruise, **85**

Kit, Exhaust, **63**

Kit, Fuel Adapter, **37**

Kit, Fuel Filter, **85**

Kit, Gasket, **85**

Kit, Heat Exchanger Cap, **51**

Kit, Isolated Ground, **58**

Kit, Muffler, **53** , **54**

Kit, Muffler/Water Separator, **53**

Kit, Nozzle Holder, **26** , **27**

Kit, Raw Water Pump Service, **47**

Kit, Remote Control Panel (W/Switch), **83** , **84**

Kit, Remote Fuel/Water Separator, **40**

Kit, Remote Fuel/Water Separator O'Ring, **41**

Kit, Remote Panel , **82**

Kit, Remote Switch Harness, **85**

Kit, Remote Water Separator Metal Bowl Replacement, **41**

Kit, Resonator, **54**

Kit, Siphon Break, **52**

L

Label, Remote Panel (W/Switch) (Start/Preheat), **83** , **84**

Label, Warning, **82**

Labels, **85**

Latch, **70**

Index

Latch, Cover, **65**
Latch, Enclosure, **68**
Lever, Engine Stop, **18 , 23**
Lever, Fork, **21 , 22**
Lever, Governor, **18 , 19**
Lever, Speed Control, **18 , 19**
Line, Fuel, **26 , 27**

M

Manifold, Exhaust, **63**
Manifold, Inlet, **60**
Mixer, Exhaust, **63**
Muffler, **53 , 54 , 63**

N

Nozzle, **26 , 27**
Nozzle, Injection, **28**

O

O'Ring, **33**
O'Ring, Crankshaft, **10**
O'Ring, Cylinder Block, **9**
O'Ring, Cylinder Head, **16**
O'Ring, Gearcase, **34**
O'Ring, Generator Pulley, **31**
O'Ring, Generator Rotor, **73 , 74**
O'Ring, Heat Exchanger Cover, **51**
O'Ring, Injection Pump, **25**
O'Ring, Oil Pickup, **56**
O'Ring, Raw Water Pump, **47**
O'Ring, Speed Control, **18 , 19**

P

Pad, Heatsink, **77**
Pan, Drip, **59**
Pan, Oil, **56**
Panel, Control, **67**
Panel, Exhaust, **68**

Panel, Remote (W/Switch), **83 , 84**
Panel, Service, **68**
Panel, Side, **65**
Pin, Cylinder Block Pipe, **9**
Pin, Cylinder Block Straight, **9**
Pin, Fork Lever Spring, **21**
Pin, Injection Pump, **25**
Pin, Main Bearing Case, **13**
Pin, Piston, **10 , 11**
Pin, Rocker Arm Spring, **17**
Pin, Speed Control Spring, **18**
Pin, Start Spring, **34**
Pipe, Coolant Water Return, **44**
Pipe, Overflow, **26**
Pipe, Water Return, **33 , 43**
Piston, **10 , 11**
Plate, Control Box, **77**
Plate, Injection Pump, **25**
Plate, Speed Control, **18 , 19**
Plug, Control Panel Hole, **77**
Plug, Cylinder Block, **9**
Plug, Cylinder Head, **16**
Plug, Fuel Filter, **37 , 39**
Plug, Gearcase, **34**
Plug, Glow, **26 , 27**
Plug, Hole, **69**
Plug, Oil Filler, **33**
Plug, Oil Pan, **56**
Plug, Water Flange, **43**
Plunger, Injection Pump, **25**
Pulley, Drive, **31**
Pulley, Fan, **48**
Pulley, Generator, **31**
Pump, Coolant Water, **44**
Pump, Fuel, **37 , 39**
Pump, Injection, **24**
Pump, Oil, **9**
Pump, Raw Water, **47**
Pump, Water Separator, **41**

Index

R

Rack, Injection Pump Control, **25**
Rail, Enclosure, **69**
Regulator, Battery Charger, **77**
Relay, **77**
Relay (Isolated Ground), **58**
Resonator, **42** , **54**
Retainer, Brush Seal, **65**
Retainer, Valve Spring, **17**
Ring, Governor Rotor Retaining, **20**
Ring, Idle Gear Snap, **12**
Ring, Piston, **10** , **11**
Rod, Connecting, **10** , **11**
Rod, Nozzle Holder Push, **28**
Rod, Push, **12**
Rotor, Governor, **20**

S

Screw, Hex Flange Head, **74**
Seal, Brush, **65**
Seal, Coolant Water Pump Mechanical, **44**
Seal, Cover, **65**
Seal, Enclosure, **59** , **68**
Seal, Fuel Pump, **37** , **39**
Seal, Gearcase Oil, **34**
Seal, Main Bearing Case Oil, **13** , **14**
Seal, Speed Control Oil, **18**
Seal, Valve Stem, **17**
Seal, Weather, **70**
Seat, Injection Pump Spring, **25**
Seat, Valve, **34**
Sender, Oil Pressure, **9**
Sender, Water Temperature, **16**
Separator, Remote Fuel/Water, **40**
Separator, Water, **53**
Shaft, Fork Lever, **21** , **22**
Shaft, Governor Lever, **18** , **19**
Shaft, Idle Gear, **12**
Shaft, Rocker Arm, **17**
Shim, Injection Pump, **24** , **25**

Sleeve, Air Intake, **42**
Sleeve, Convoluted, **74**
Sleeve, Crankshaft, **10**
Sleeve, Governor, **15**
Sleeve, Injection Pump Control, **25**
Sleeve, Insulation, **74**
Slinger, Oil, **10** , **11**
Socket, Relay, **77**
Spacer, Nozzle Holder, **28**
Spacer, Raw Water Pump, **47**
Spring, Delivery Valve, **25**
Spring, Governor, **20** , **21** , **22**
Spring, Injection Pump Plunger, **25**
Spring, Nozzle Holder, **28**
Spring, Rocker Arm, **17**
Spring, Valve, **17**
Spring, Valve Seat, **34**
Standoff, Insulator, **67** , **69**
Starter, **32**
Stator, Governor, **20**
Stopper, Camshaft, **12**
Stopper, Fuel Camshaft, **15**
Strainer, Slotted, **54**
Strainer, Water Pickup, **53**
Strap, Bond, **57** , **69**
Strap, Control Box Ground, **67**
Switch, Exhaust Temperature, **63**
Switch, Rocker, **77** , **83** , **84**
Switch, Water Pressure, **51**

T

Tank, Coolant Recovery, **49**
Tape, Weather Stripping, **42**
Tappet, **12** , **25**
Tee, Fuel Hose Street, **37** , **39**
Tensioner, Belt, **31**
Thermostat, Water, **43**
Tube, Breather, **33** , **60**
Tube, Exhaust, **63**
Tube, Oil, **55**

Index

Tube, Oil Fill, **55**

U

Union, Vacuum Relief Hose, **52**

V

Valve, **17** , **33**

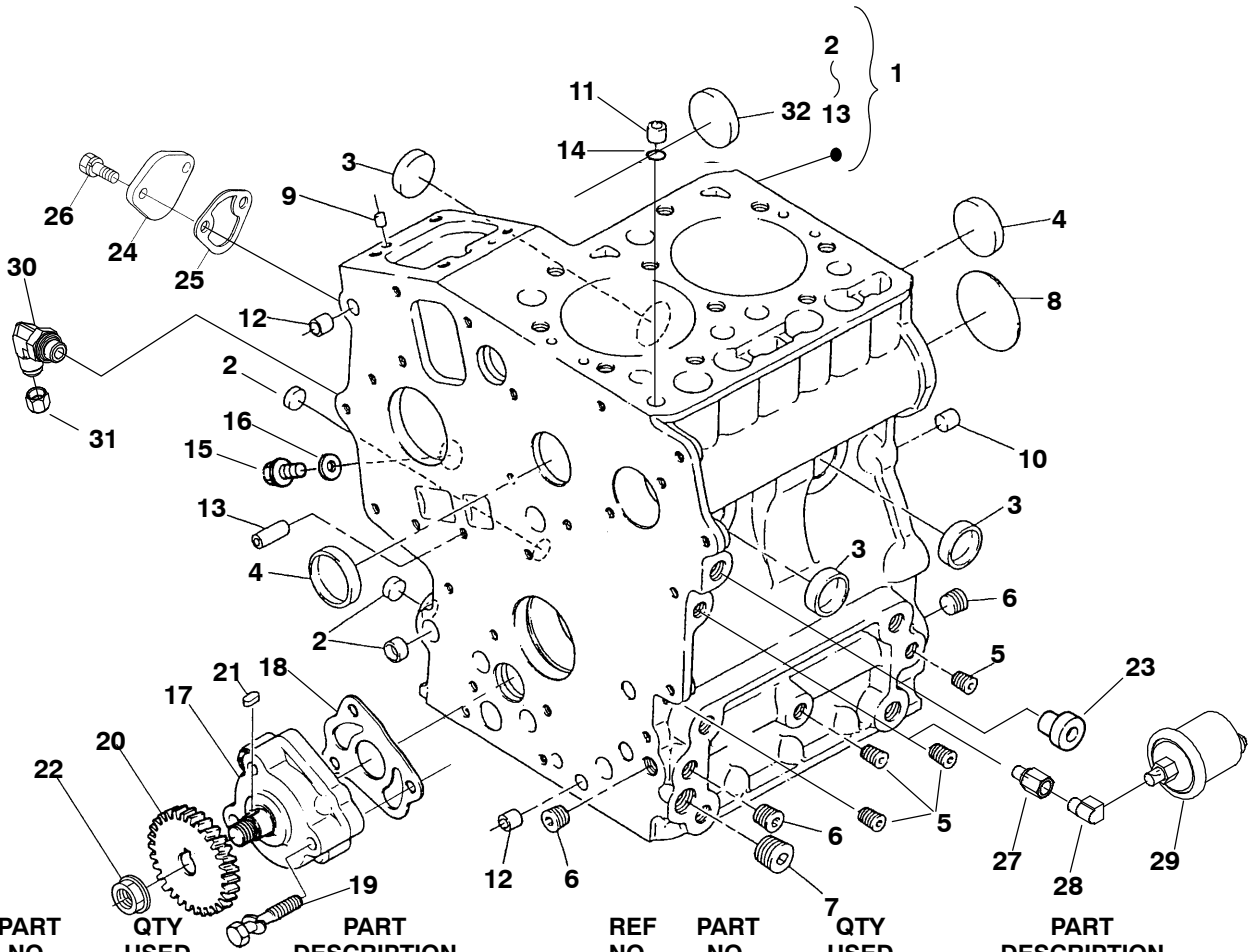
Valve, Delivery, **25**

Valve, Oil Drain Ball, **56**

W

Wire, Injection Pump Retainer, **25**

Cylinder Block



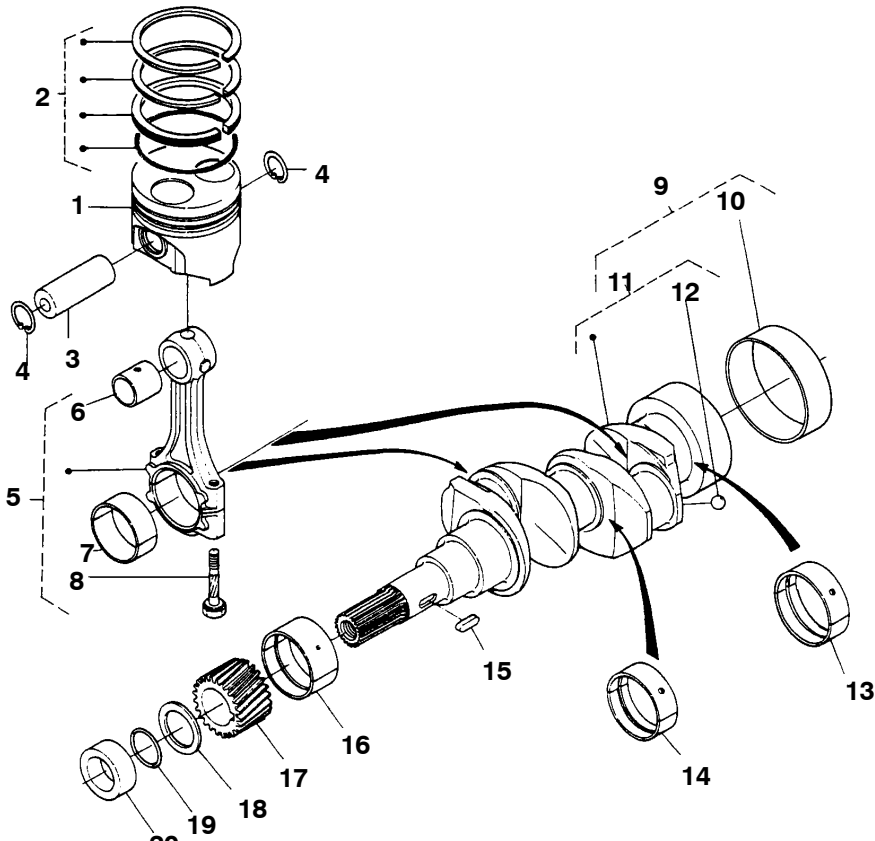
REF NO.	PART NO.	QTY USED	PART DESCRIPTION
			Engine, Replacement
	100-3941	1	Spec A
	100-4098	1	Begin Spec C
	A044B206	1	Begin Spec E
1			Block Assy, Cylinder (Not Available order Engine)
	110-3970	1	Spec A
	110-3971	1	Begin Spec C
2	185-5482	3	*Cap, Sealing
3	185-5483	3	*Cap, Sealing
4	185-5484	2	*Cap, Sealing
5	185-2188	4	*Plug
6	185-2233	3	*Plug
7	185-2234	1	*Plug
8	185-5485	1	*Plug, Expansion
9	185-5486	2	*Pin, Straight
10	185-5487	2	*Pin, Straight
11	185-2094	1	*Pin, Pipe
12	185-2115	2	*Pin, Pipe
13	185-5488	2	*Pin, Pipe
14	185-2095	1	O'Ring
15	184-0023	1	Plug
16			Washer, Sealing
	509-0442	1	Spec A
	509-0549	1	Begin Spec C
17	181-9165	1	Pump, Oil
18	185-5413	1	Gasket, Oil Pump
19	185-5491	3	Bolt
20	185-5414	1	Gear, Oil Pump Drive

REF NO.	PART NO.	QTY USED	PART DESCRIPTION
21	185-5415	1	Key, Feather
22	185-5416	1	Nut, Flange
23	185-6039	1	Plug
24	185-5798	1	Cover
25	185-6580	1	Gasket, Hole Cover
26	185-2388	2	Bolt
27	502-0917	1	+Adapter, Pipe
28	502-0020-01	1	+Elbow, Pipe
29			◆Sender, Oil Pressure MC
	193-0244	1	Standard Ground
	193-0430-01	1	+ Isolated Ground
30	502-1359	1	Elbow, 90° Coolant Drain
31	502-1360	1	Nut, Cap
32	185-5489	1	Cover, Fuel Camshaft

⚠WARNING ◆MC - Are MARINE CRITICAL and must comply with boating safety ignition protection, backfire, fire resistance, exhaust system integrity, or other requirements established by regulatory agencies, such as US Coast Guard, ABYU, and ISO. When MARINE CRITICAL parts are replaced for any reason, use Onan parts that are identified with the part numbers in this book.

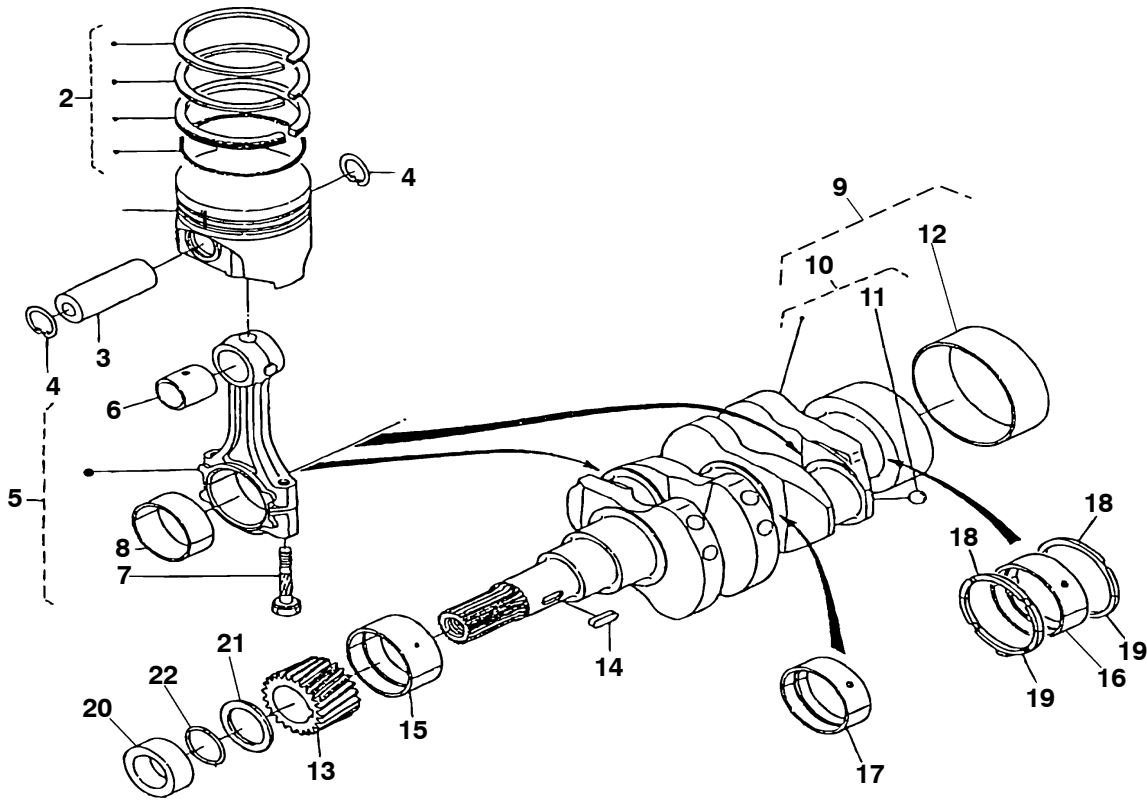
* - Parts Included in Cylinder Block Assy.
 + - Parts Included in Isolated Ground Kit Listed on Relay Page.

Piston and Crankshaft Spec A-B



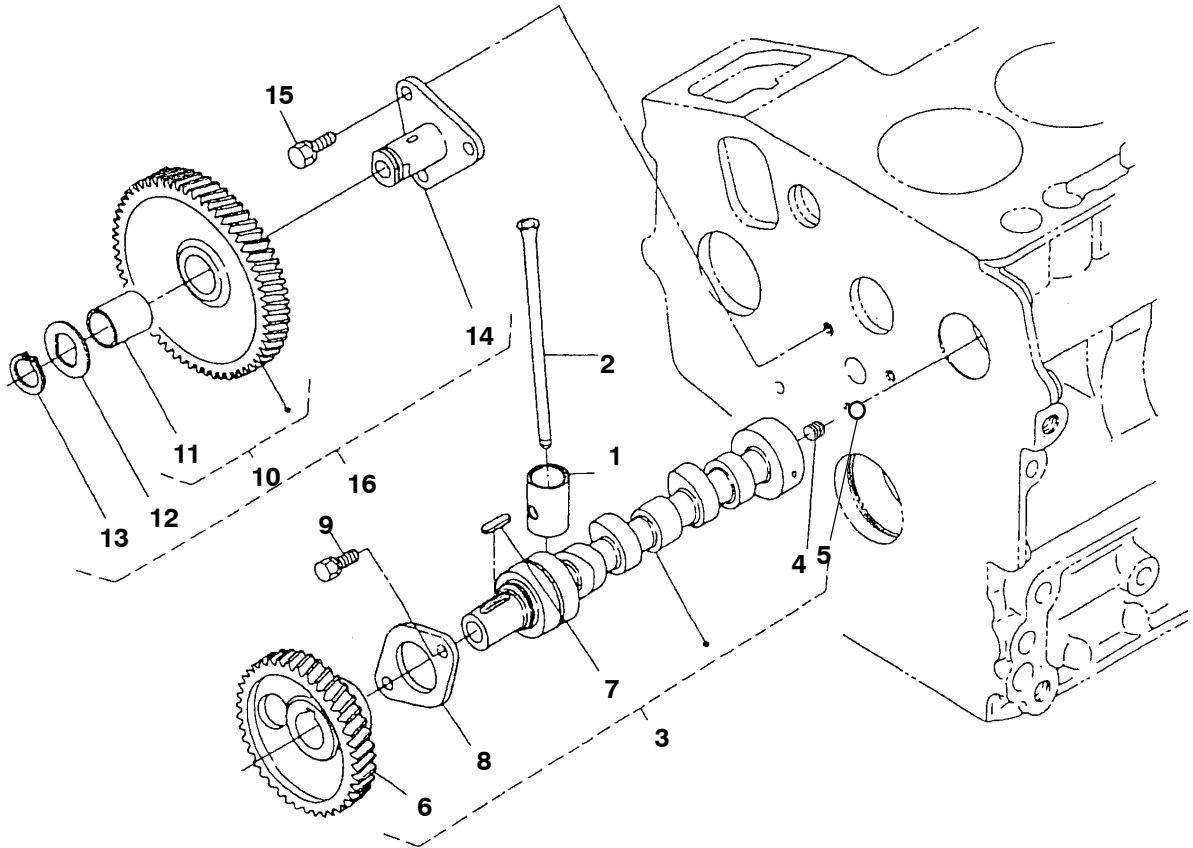
REF NO.	PART NO.	QTY USED	PART DESCRIPTION	REF NO.	PART NO.	QTY USED	PART DESCRIPTION
1	184-0032	2	Piston	11	184-0034	2	Crankshaft (Includes Ball)
	184-0033	2	Standard +0.50mm	12	185-5575	2	Ball
2	184-0030	2	Ring Assy, Piston	13	185-5580	1	Bearing
	184-0031	2	Standard +.050mm		185-2026	1	Standard
3	185-5568	2	Pin, Piston		185-5357	1	-0.20mm
4	185-2016	4	Circlip, Piston Pin	14	185-5581	1	-0.40mm
5	114-0420	2	Rod Assy, Connecting (Includes Bush, Bolt, and Bearing)		185-5360	1	Bearing
6	508-1255	2	Bush, Piston		185-5361	1	Standard
7	185-5571	2	Bearing	15	185-2353	1	-0.20mm
	185-5572	2	Standard	16	185-5577	1	-0.40mm
	185-5573	2	-0.20mm		185-5578	1	Key, Feather
8	185-5570	4	Bolt, Connecting Rod		185-5579	1	Bearing
9	184-0046	1	Crankshaft Assy (Includes Sleeve, Crankshaft and Ball)	17	185-5576	1	Standard
10	185-2033	1	Sleeve	18	185-5583	1	-0.20mm
				19	184-0021	1	-0.40mm
				20	185-7407	1	Gear
							Slinger, Oil
							O'Ring
							Collar, Crankshaft

Piston and Crankshaft Begin Spec C



REF NO.	PART NO.	QTY USED	PART DESCRIPTION	REF NO.	PART NO.	QTY USED	PART DESCRIPTION
1			Piston	15			Bearing
	185-5566	2	Standard		185-5577	1	Standard
	185-5350	2	+0.250mm		185-5578	1	-0.20mm
2			Ring Assy, Piston		185-5579	1	-0.40mm
	185-7076	2	Standard	16			Metal, Crankshaft
	185-7386	2	+0.50mm		185-5580	1	Standard
3	185-5568	2	Pin, Piston		185-2026	1	0.20mm
4	185-2016	4	Circlip, Piston Pin		185-5357	1	0.40mm
5	181-9162	2	Rod Assy, Connecting (Includes Bush, Bolt, and Bearing)	17			Metal, Crankshaft
6	181-9161	2	Bush, Piston		185-5581	1	Standard
7	185-5570	4	Bolt, Connecting Rod		185-5360	1	0.20mm
8			Bearing		181-9072	1	0.40mm
	185-5571	2	Standard	18			Metal, Side
	181-9071	2	-0.20mm		185-2022	2	Standard
	185-5573	2	-0.40mm		185-2028	2	0.20mm
9	104-2099	1	Crankshaft Assy (Includes Sleeve, Crankshaft and Ball)		181-9037	2	0.40mm
10	181-9163	1	Crankshaft (Includes Ball)	19			Metal, Side
11	105-0740	2	Ball		185-2023	2	Standard
12	185-2033	1	Sleeve, Crankshaft		185-2030	2	0.20mm
13	185-5576	1	Gear, Crank		185-2031	2	0.40mm
14	185-5560	1	Key, Feather	20	185-7407	1	Collar, Crankshaft
				21	185-5583	1	Slinger, Oil
				22	181-9020	1	O'Ring

Camshaft

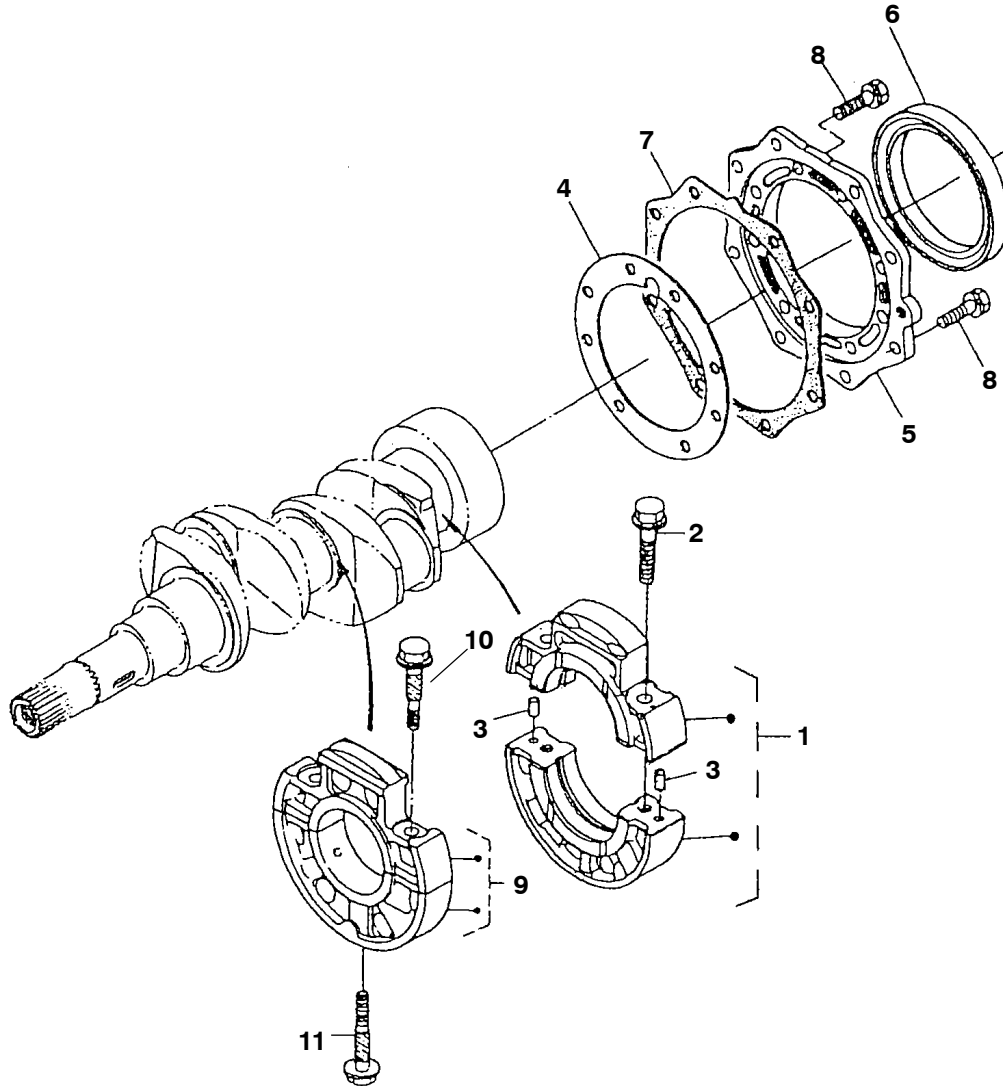


REF NO.	PART NO.	QTY USED	PART DESCRIPTION	REF NO.	PART NO.	QTY USED	PART DESCRIPTION
1			Tappet	9	185-2386	2	Bolt
	185-5554	4	Spec A-B	10	185-5562	1	+Gear, Idle (Includes Bush)
	181-9159	4	Begin Spec C	11			+Bush
2			Rod, Push		185-7385	1	Spec A-B
	184-0028	4	Spec A-B		185-5359	1	Begin Spec C
	185-5555	4	Begin Spec C	12	185-5563	1	+Collar, Idle Gear
3			Camshaft Assy (Includes Parts Marked *)	13	185-5564	1	+Ring, Snap
	184-0029	1	Spec A-B	14	185-5565	1	+Shaft, Idle Gear
	105-0768	1	Spec C-D	15	185-2387	3	Bolt
	A045Y545	1	Spec E	16	184-0040	1	Gear, Idle (Includes Parts Marked + Spec A-B)
4	185-5558	1	*Screw, Set (Spec A-B only)				
5	185-5924	1	*Ball (Begin Spec C)				
6	185-7075	1	*Gear, Cam				
7	185-5560	1	*Key, Feather				
8	185-5561	1	*Stopper, Camshaft				

* - Parts Included in Camshaft Assy.

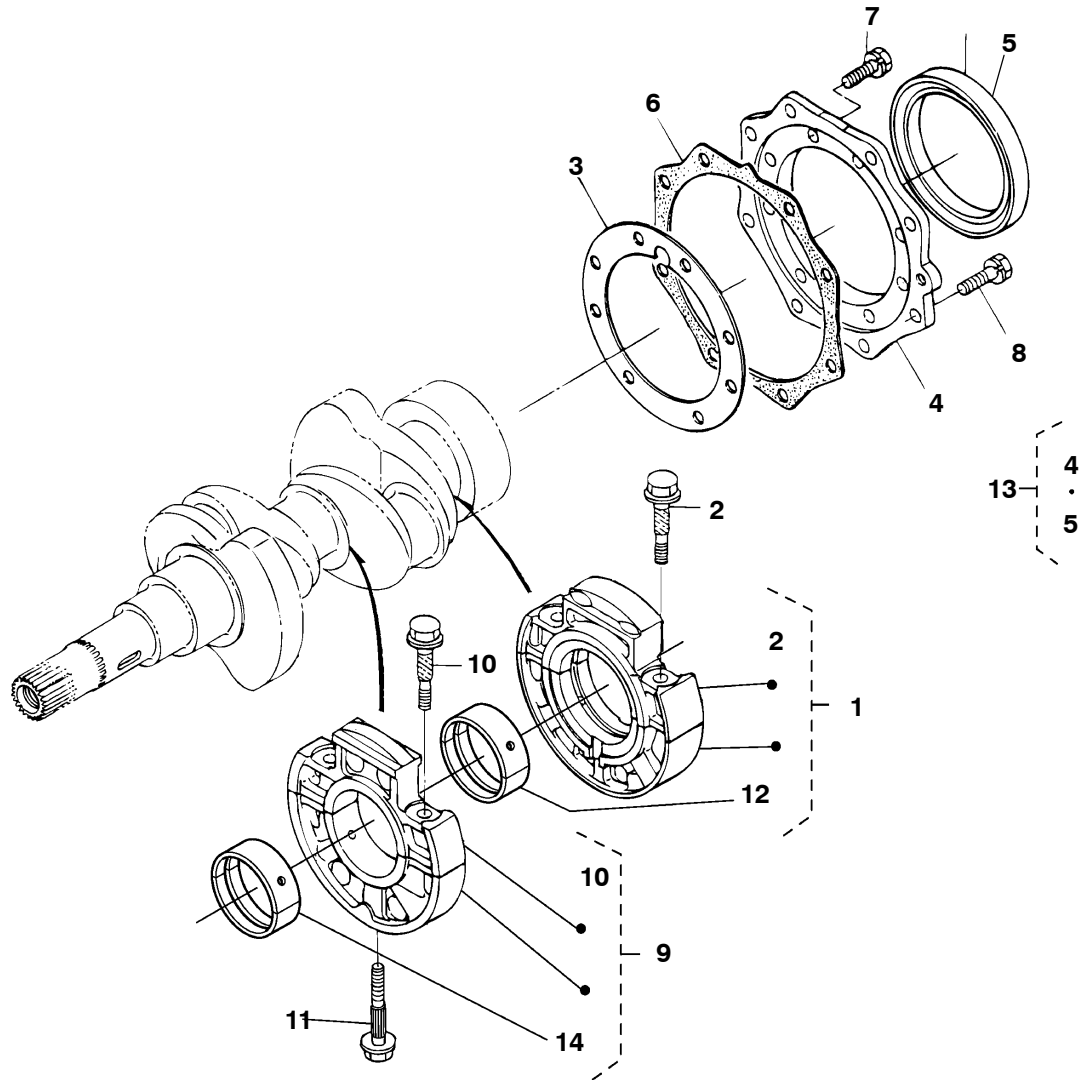
+ - Parts Included in Idle Gear Assy.

Main Bearing Case (Spec A-B)



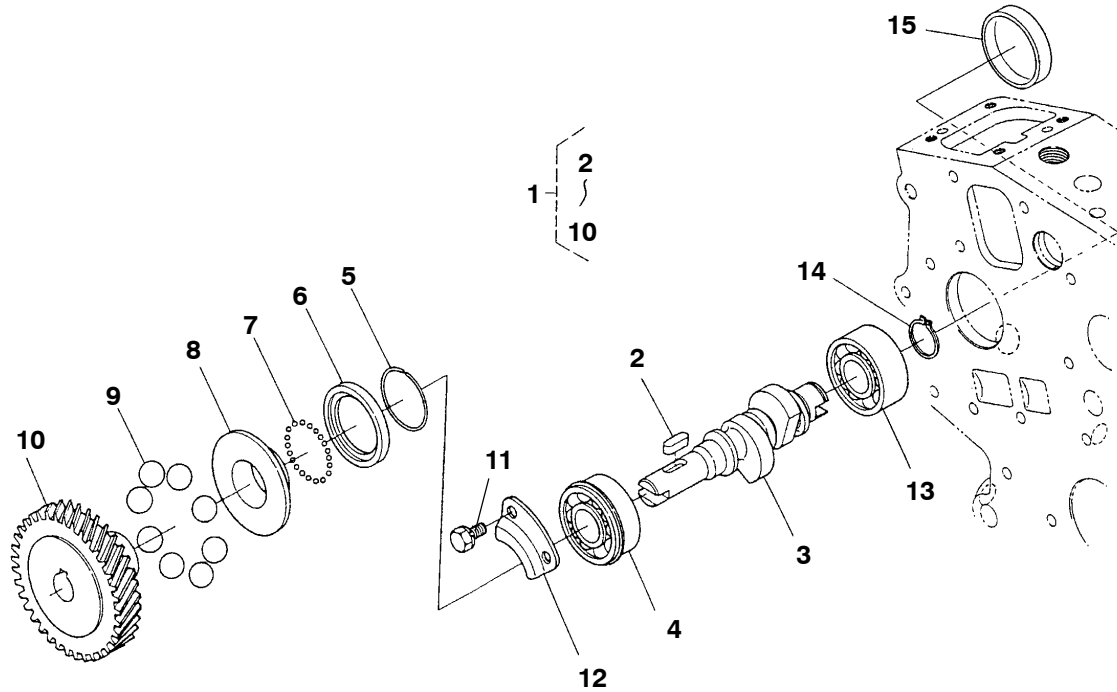
REF NO.	PART NO.	QTY USED	PART DESCRIPTION	REF NO.	PART NO.	QTY USED	PART DESCRIPTION
1	184-0027	1	Case, Main Bearing (Includes Pins)	6	185-5437	1	Seal, Oil
2	185-6105	2	Bolt, Flange	7	185-7383	1	Gasket
3	184-0022	2	Pin, Straight	8	185-2559	16	Bolt
4	101-0846	1	Gasket, Bearing Case	9	185-5517	1	Case, Main Bearing
5	185-5516	1	Cover, Bearing Case	10	185-5515	2	Bolt, Bearing Case
				11	185-5519	1	Bolt, Bearing Case

Main Bearing Case (Begin Spec C)



REF NO.	PART NO.	QTY USED	PART DESCRIPTION	REF NO.	PART NO.	QTY USED	PART DESCRIPTION
1	232-4193	1	Assy Bearing, Main Case (Includes, Bolts and Bearing)	8	185-2559	8	Bolt
2	185-5515	2	Bolt, Bearing Case	9	232-4192	1	Case, Main Bearing
3	181-9065	1	Gasket, Bearing Case	10	185-5515	2	Bolt, Bearing Case
4	185-5516	1	Cover, Bearing Case	11	181-9046	1	Bolt, Bearing Case
5	185-5437	1	Seal, Oil	12	185-5580	1	Bearing
6	185-7383	1	Gasket, Case Cover	13	185-7073	1	Assy Cover, Bearing Case
7	185-2391	8	Bolt	14	185-5581	1	Bearing

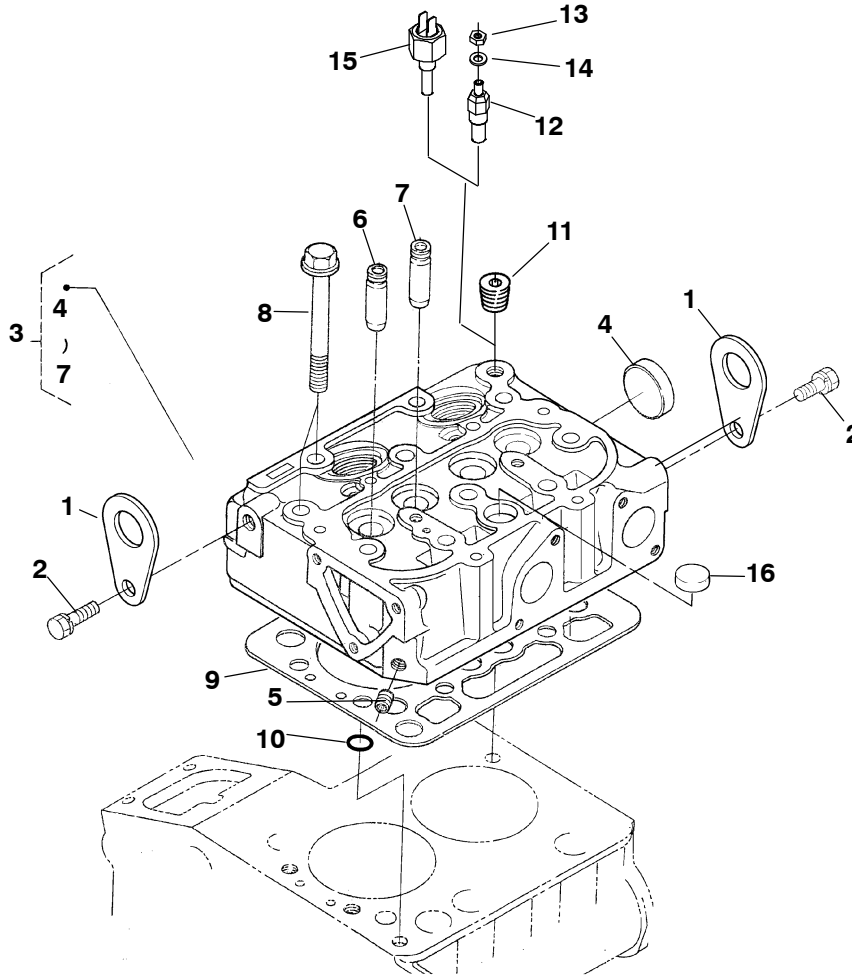
Fuel Camshaft Spec A-C



REF NO.	PART NO.	QTY USED	PART DESCRIPTION	REF NO.	PART NO.	QTY USED	PART DESCRIPTION
1			Camshaft Assy, Fuel (Includes Parts Marked *)	9	185-5633	8	*Ball
	184-0049	1	Spec A-B	10	185-5630	1	*Gear, Injection Pump
	181-9195	1	Spec C-D		181-9166	1	Begin Spec C
	A045Y546	1	Spec E	11			Bolt
2			*Key, Feather		185-2386	2	Spec A-B
	185-2353	1	Spec A-B		181-9001	2	Spec C-D
	185-5560	1	Begin Spec C		A045Y540	2	Spec E
3			*Camshaft, Fuel	12	185-5635	1	Stopper, Fuel Camshaft
	185-5628	1	Spec A-B	13			Bearing, Ball
	181-9053	1	Begin Spec C		510-0299	1	Spec A-B
4	185-5629	1	*Bearing, Ball		181-9182	1	Begin Spec C
5			*Circlip, External	14	185-5634	1	Circlip, External
	185-2163	1	Spec A-B	15	185-5489	1	Cover, Fuel Camshaft
	181-9038	1	Begin Spec C				Spec A-B
6	185-5632	1	*Case, Governor Ball				
7	185-2357	32	*Ball				
8	185-5631	1	*Sleeve, Governor				

* - Parts Included in Fuel Camshaft Assy.

Cylinder Head

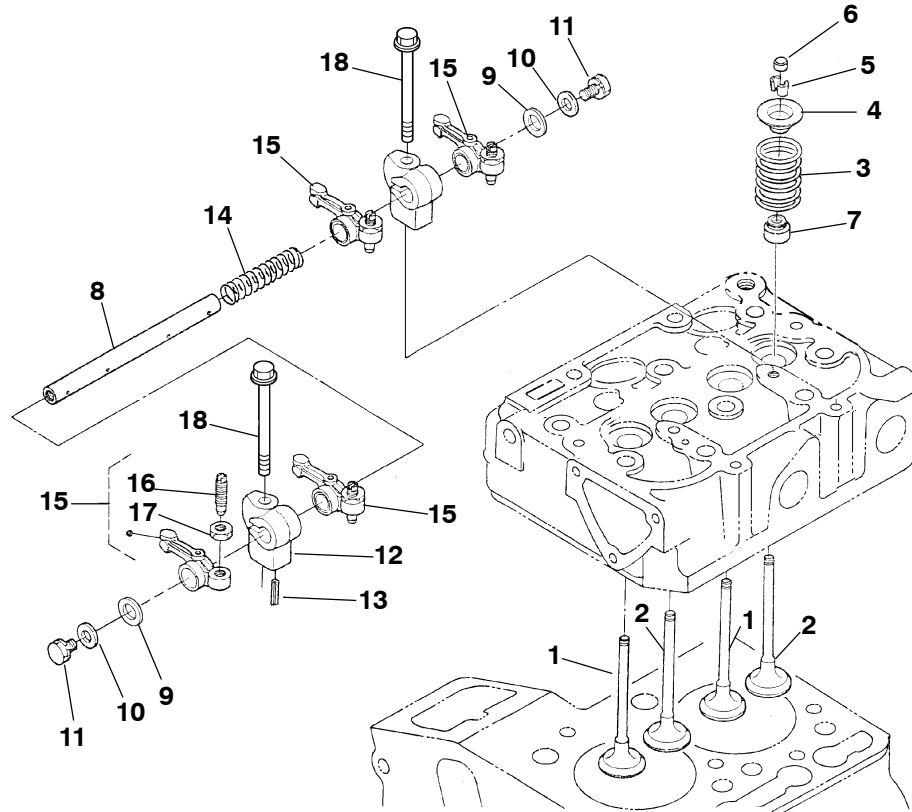


REF NO.	PART NO.	QTY USED	PART DESCRIPTION	REF NO.	PART NO.	QTY USED	PART DESCRIPTION
1	185-2414	2	Hook, Engine	13	871-0010	1	Nut, Hex Brass (10-32)
2	185-2563	2	Bolt	14	526-0049	1	Washer, Brass Flat (#10) (Standard Ground)
3			Head, Cylinder (Includes Cap, Plug and Guides)	15	193-0491	1	◆*Sender, Water Temperature MC (Isolated Ground)
	184-0024	1	Spec A-B	16	185-2413	1	Cap, Sealing
	110-4095	1	Spec C-D				
	A045Y528	1	Spec E				
	A045Y564	1	Components, Spec E				
4			Cap, Sealing				
	517-0387	1	Spec A-B				
	185-2411	1	Begin Spec C				
5	185-2188	1	Plug				
6	185-5500	2	Guide, Inlet Valve				
7	185-5501	2	Guide, Exhaust Valve				
8	185-5503	1	Bolt, Cylinder Head				
9			Gasket, Cylinder Head				
	184-0025	1	Spec A-B				
	185-5339	1	Begin Spec C				
10	185-2095	1	O'Ring Spec A-B				
11	185-5502	1	Plug				
12	193-0388	1	◆*Sender, Water Temperature MC (Includes Nut and Washer)				

⚠WARNING ◆MC - Are MARINE CRITICAL and must comply with boating safety ignition protection, back-fire, fire resistance, exhaust system integrity, or other requirements established by regulatory agencies, such as US Coast Guard, ABYU, and ISO. When MARINE CRITICAL parts are replaced for any reason, use Onan parts that are identified with the part numbers in this book.

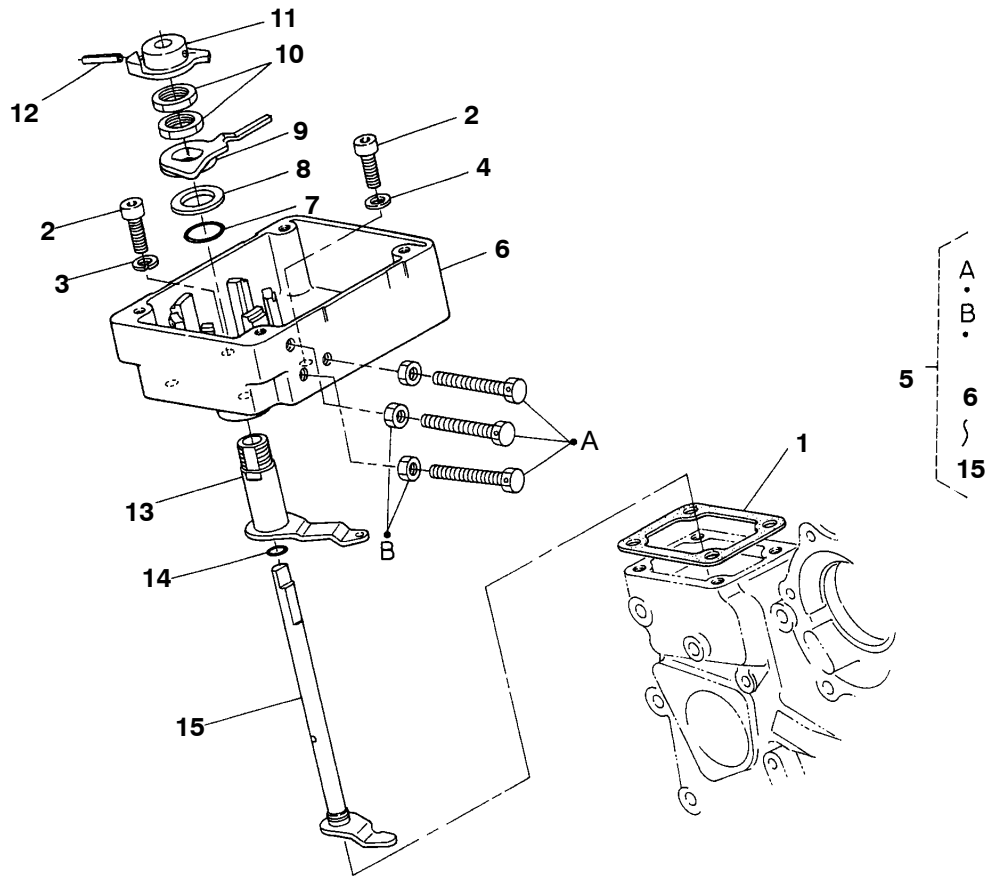
* - Part Included in Isolated Ground Kit Listed on Relay (Isolated Ground) Page.

Rocker Arm



REF NO.	PART NO.	QTY USED	PART DESCRIPTION	REF NO.	PART NO.	QTY USED	PART DESCRIPTION
1	185-5537	2	Valve, Inlet Spec A-B	10	185-7395	2	Washer, Plain
	110-3990	2	Begin Spec C	11	185-2386	2	Bolt Spec A-B
2	185-5538	2	Valve, Exhaust Spec A-B		185-7440	2	Begin Spec C
	110-3991	2	Begin Spec C	12	185-5546	2	Bracket, Rocker Arm Spec A-B
3	185-5539	4	Spring, Valve		181-9251	2	Begin Spec C
4	185-5540	4	Retainer, Spring	13	185-2351	1	Pin, Spring
5	185-5541	4	Collet, Valve Spring	14	185-5550	1	Spring, Rocker Arm
6	185-5542	4	Cap, Valve Spec A-B	15	185-5551	4	Arm Assy, Rocker
	185-5793	4	Begin Spec C	16	185-5552	4	Screw, Adjusting
7	185-5348	4	Seal, Valve Stem	17	185-5553	2	Nut
8	185-7394	1	Shaft, Rocker Arm	18	800-6372	2	Screw, Hex Flanged Head
9	185-7086	2	Washer				

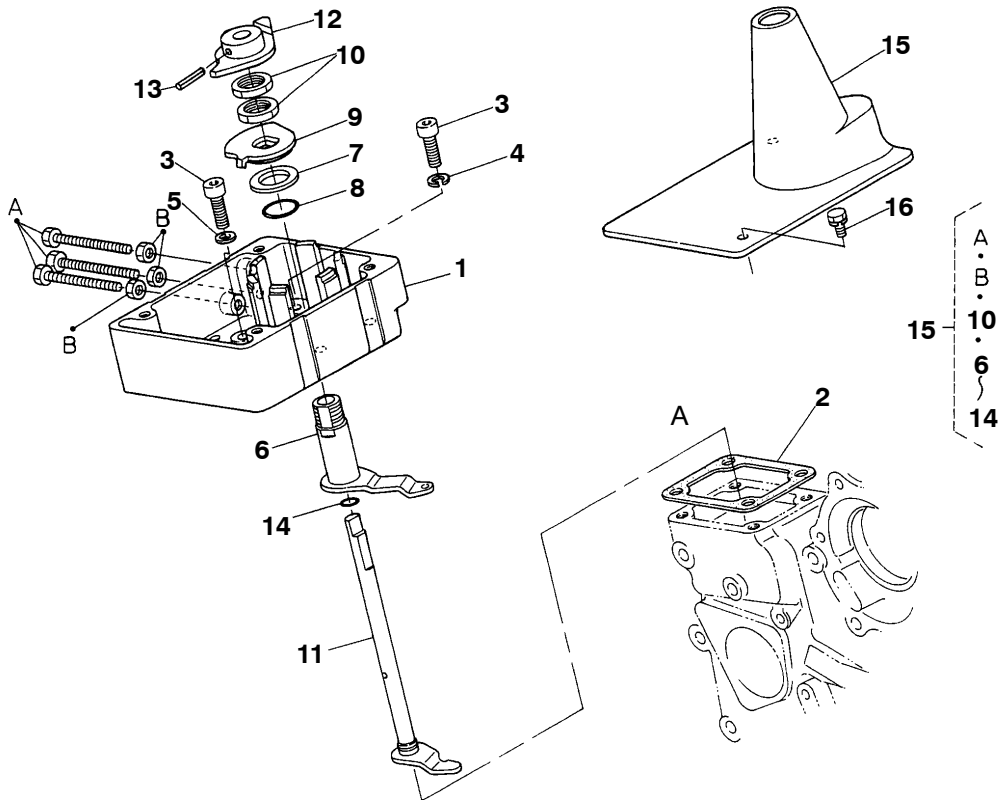
Speed Control Plate (Spec A-B)



REF NO.	PART NO.	QTY USED	PART DESCRIPTION	REF NO.	PART NO.	QTY USED	PART DESCRIPTION
1	185-7080	1	Gasket	9	184-0056	1	*Lever, Speed Control
2	184-0013	4	Screw, Hex Head Cap W/Lock Washer (M6 x 18mm)	10	185-5693	2	*Nut, Jam Hex
3	185-2380	2	Washer, Spring	11	184-0059	1	*Lever, Engine Stop
4	185-2284	2	Seal, Oil	12	185-5696	1	*Pin, Spring
5	185-7267	1	Plate Assy, Speed Control (Includes Parts Marked *)	13	184-0053	1	*Lever, Governor
6	185-6847	1	*Plate, Speed Control	14	184-0017	1	*O'Ring
7	184-0019	1	*O'Ring	15	184-0060	1	*Shaft, Lever
8	184-0057	1	*Collar				

* - Parts Included in Speed Control Plate Assy.

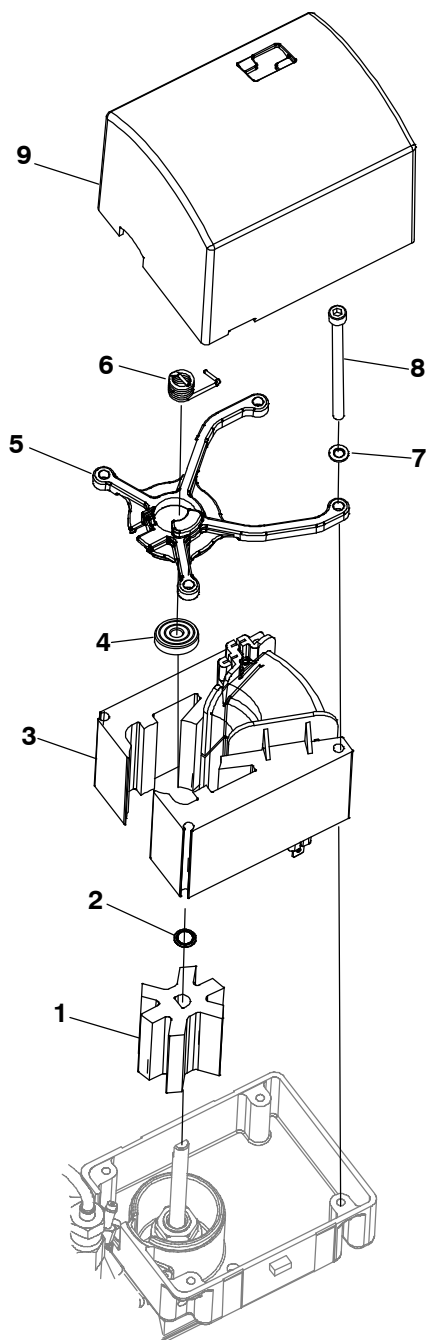
Speed Control Plate (Begin Spec C)



REF NO.	PART NO.	QTY USED	PART DESCRIPTION	REF NO.	PART NO.	QTY USED	PART DESCRIPTION
1	185-7080	1	Gasket, Control Plate	11	184-0059	1	*Lever, Engine Stop
2	802-2548	4	Screw, Hex Socket Head	12	185-5696	1	*Pin, Spring
3	185-6759	2	Washer, Spring	13	184-0017	1	*O'Ring
4	185-2284	2	Gasket	14	185-7267	1	Comp. Plate, Speed Control
5	184-0053	1	*Lever, Governor	15	184-0058	1	Cover
6	184-0057	1	*Collar	16	184-0012	2	Screw
7	184-0019	1	*O'Ring				
8	184-0056	1	*Lever, Speed Control				
9	181-9063	2	*Nut, Speed Control				
10	184-0060	1	*Shaft, Lever				

* - Parts Included in Speed Control Plate Assy.

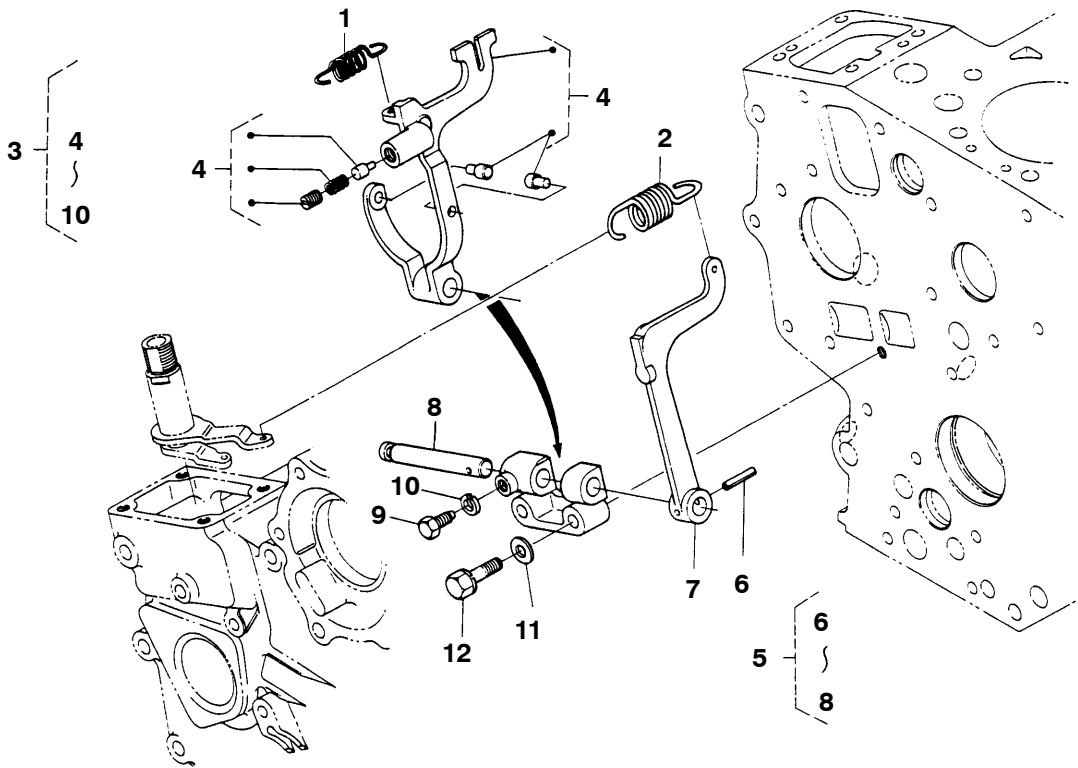
Governor



REF NO.	PART NO.	QTY USED	PART DESCRIPTION	REF NO.	PART NO.	QTY USED	PART DESCRIPTION
1	150-2639	1	Rotor, Governor	8	815-0877	4	Screw, Socket Head Cap
2	518-0672	1	Ring, Retainer	9	150-2641	1	Cover, Governor
3	150-2630	1	◆ Stator MC				
4	510-0184	1	Bearing, Ball				
5	150-2643	1	Carrier (Includes Carrier and Ball Bearing)				
6	150-2724	1	Spring, Governor				
7	740-1002	4	Washer, Flat (M5)				

⚠ WARNING ◆ **MC** – Are **MARINE CRITICAL** and must comply with boating safety ignition protection, back-fire, fire resistance, exhaust system integrity, or other requirements established by regulatory agencies, such as US Coast Guard, ABYC, and ISO. When **MARINE CRITICAL** parts are replaced for any reason, use Onan parts that are identified with the part numbers in this book.

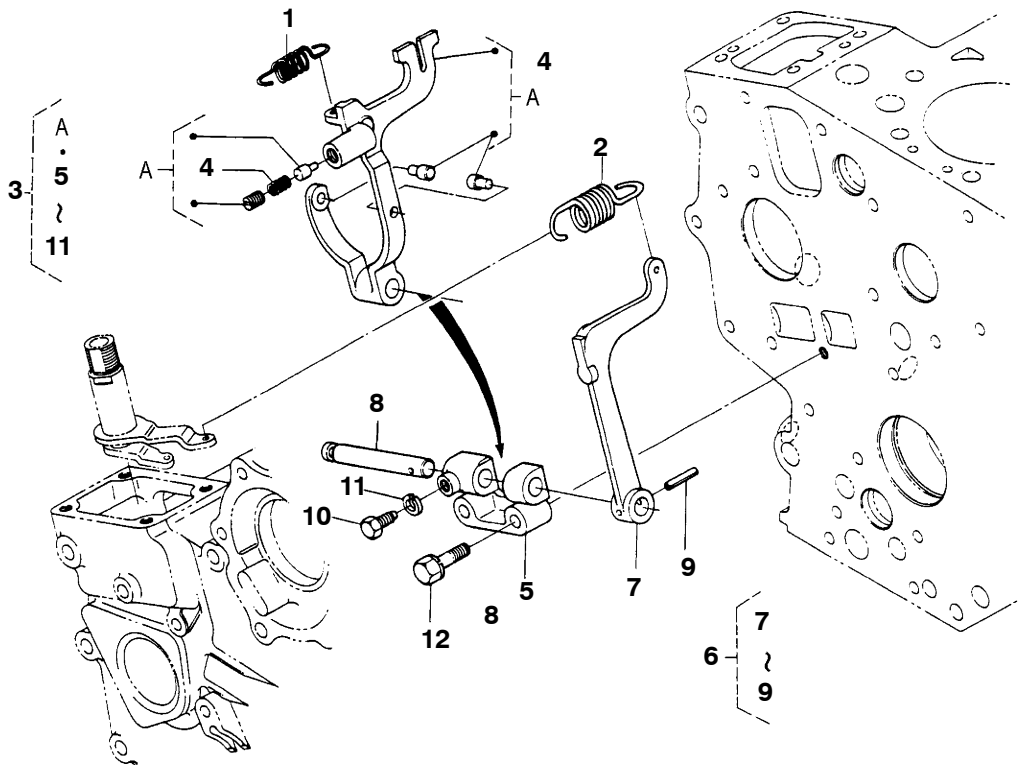
Fork Lever Spec A-B



REF NO.	PART NO.	QTY USED	PART DESCRIPTION	REF NO.	PART NO.	QTY USED	PART DESCRIPTION
1	185-5698	1	Spring, Start	7	185-5702	1	*Lever, Outer Fork
2	184-0054	1	Spring, Governor	8	185-5703	1	*Shaft
3	150-2873		Lever, Fork (Includes Parts Marked *)	9	185-2173	1	*Bolt
4	184-0052	1	*Lever, Inner Fork	10	185-6999	1	*Washer, Spring Lock
5	185-5701	1	*Lever Assy, Outer Fork (Includes Pin, Fork Lever, and Shaft)	11	185-5966	2	Washer, Plain
6	185-5696	1	*Pin, Spring	12	185-2393	2	Bolt

* - Parts Included in Fork Lever Assy.

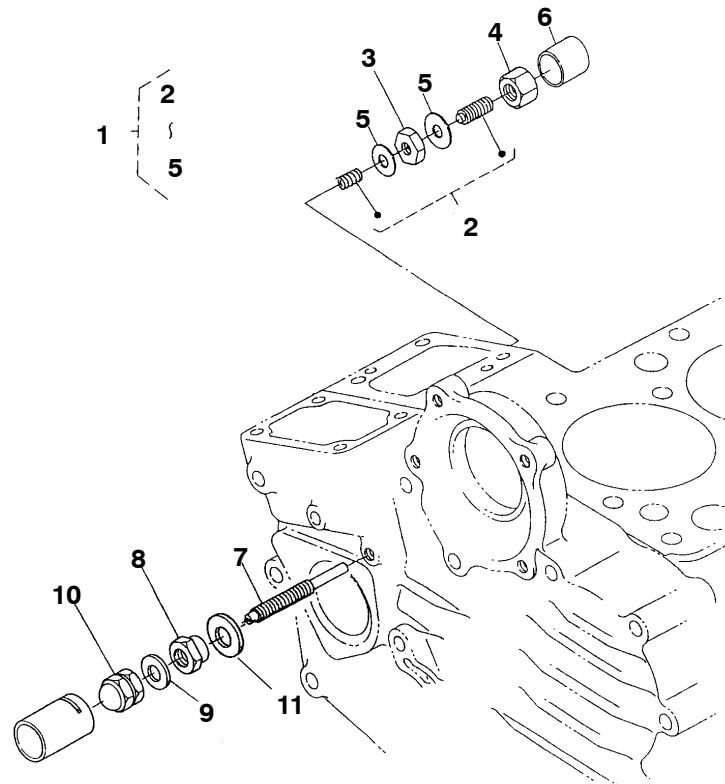
Fork Lever Begin Spec C



REF NO.	PART NO.	QTY USED	PART DESCRIPTION	REF NO.	PART NO.	QTY USED	PART DESCRIPTION
1	181-9058	1	Spring, Start	8	185-5703	1	+*Shaft, Fork Lever
2	184-0054	1	Spring, Governor	9	185-5696	1	+*Pin, Spring
3	150-2871		Lever, Fork (Includes Parts Marked *)	10	181-9039	1	Bolt
4	181-9203	1	Spring	11	185-6999	1	*Washer, Spring Lock
5	306-5292	1	*Holder, Fork Lever	12	181-9002	2	Bolt
6	185-5701	1	*Assy, Fork Lever (Includes Parts Marked +)				
7	185-5702	1	+*Lever, Fork				

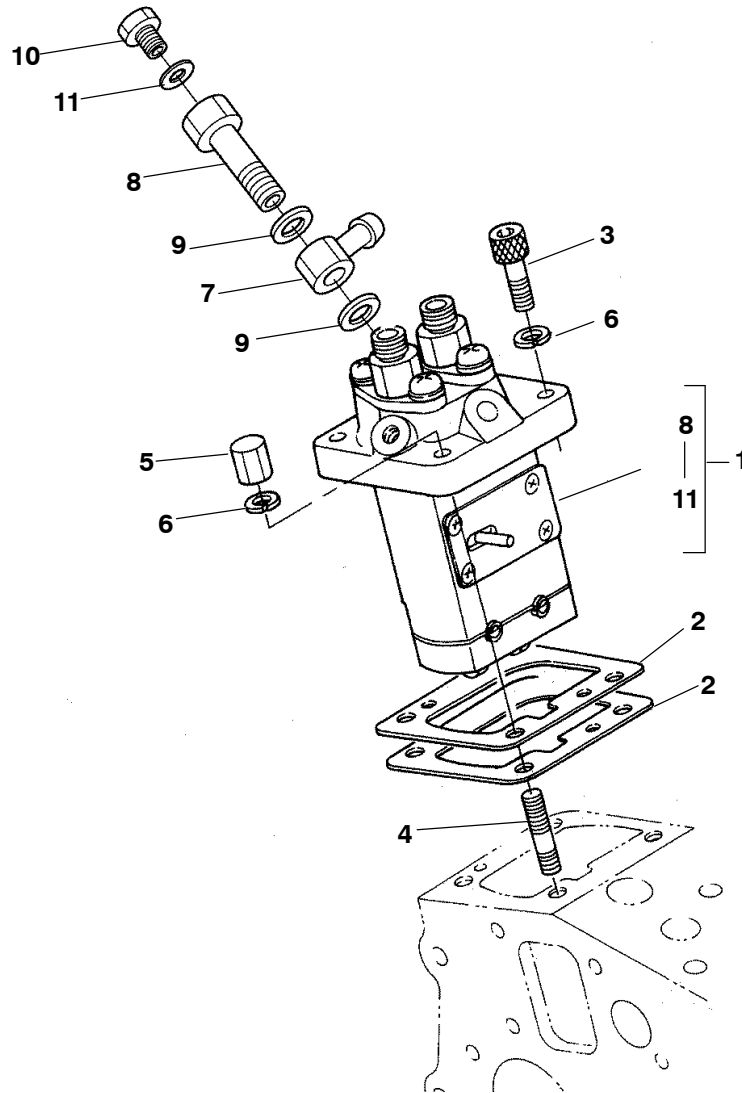
* - Parts Included in Fork Lever Assy.

Engine Stop Lever Spec A-C



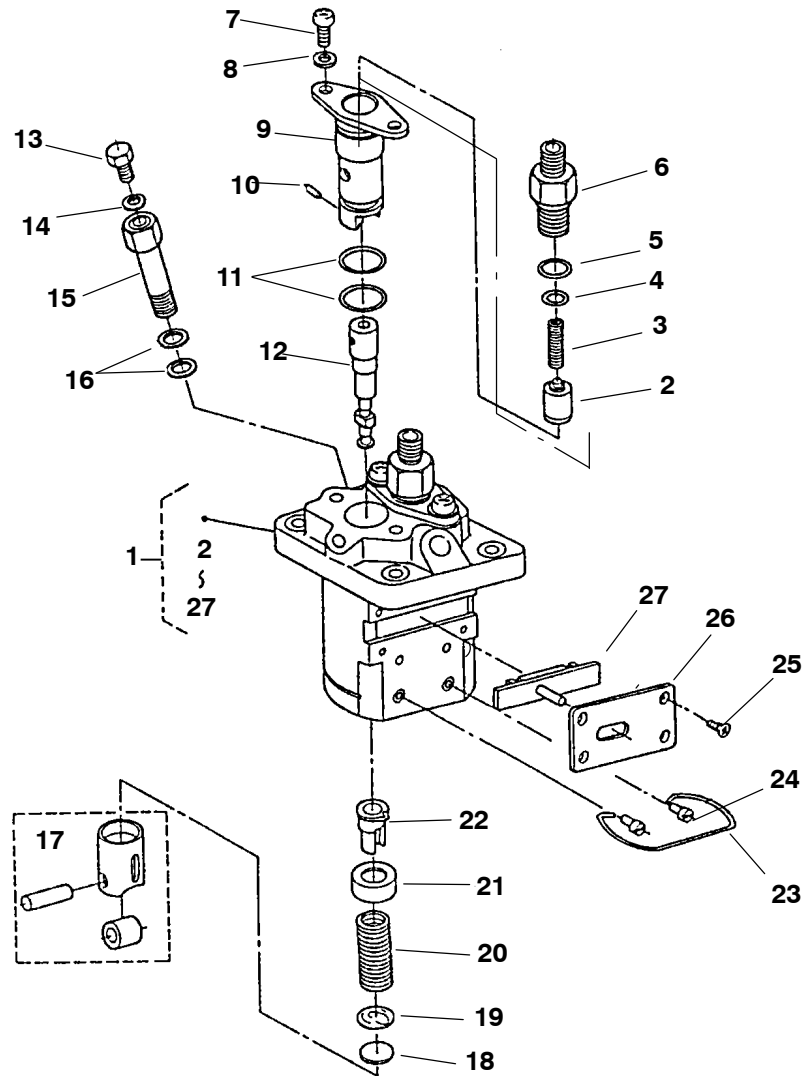
REF NO.	PART NO.	QTY USED	PART DESCRIPTION	REF NO.	PART NO.	QTY USED	PART DESCRIPTION
1			Apparatus Assy, Idle (Includes Bolt, Nuts and Gaskets)	5	185-2338	2	Gasket
	185-5679	1	Spec A-B	6	185-5682	1	Cap
	181-9056	1	Begin Spec C	7	181-9057	1	Screw, Governor
2	185-5680	1	Bolt Assy, Adjusting	8	185-6931	1	Nut
3			Nut	9	185-2284	2	Gasket
	185-2180	1	Spec A-B	10	185-5685	1	Nut
	181-9041	1	Begin Spec C	11			Gasket
4	185-5681	1	Nut		150-2870	1	Spec A-B
					185-7313	1	Begin Spec C

Injection Pump Spec A-C



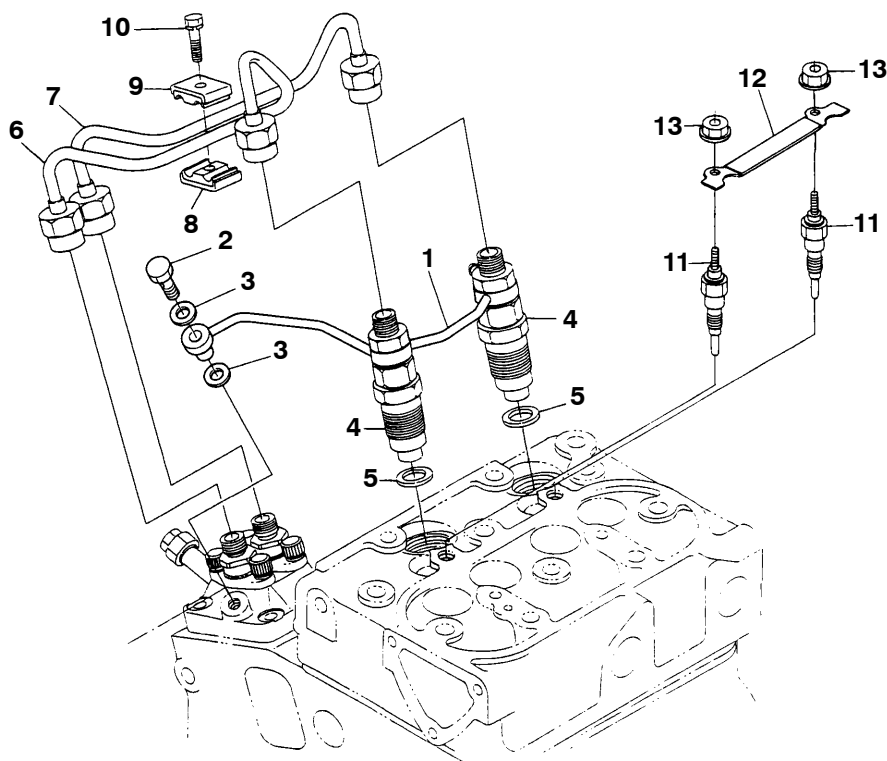
REF NO.	PART NO.	QTY USED	PART DESCRIPTION	REF NO.	PART NO.	QTY USED	PART DESCRIPTION
1			Pump Assy, Injection	4	185-5624	1	Stud
	185-5422	1	Spec A-B	5	185-5625	1	Nut
	181-9080	1	Begin Spec C	6			Washer, Spring
2			Shim, Injection Pump		185-2380	4	Spec A-B
	147-0981	1	0.175mm		185-6759	4	Begin Spec C
	181-9081	1	0.20mm	7	185-5626	1	Joint, Eye
	181-9082	1	0.25mm	8	185-5660	1	Screw, Follow
	181-9083	1	0.30mm	9	185-5661	2	Gasket
	147-0980	1	0.35mm	10	185-5662	1	Screw
3	185-5623	3	Bolt, Hex Socket Head	11	185-5663	1	Gasket

Injection Pump Components



REF NO.	PART NO.	QTY USED	PART DESCRIPTION	REF NO.	PART NO.	QTY USED	PART DESCRIPTION
1	185-5422	1	Pump Assy, Injection	15	185-5660	2	Screw, Follow
2	185-5639	2	Valve, Delivery	16	185-5661	1	O'Ring
3	185-5640	2	Spring, Delivery Valve	17	185-5649	2	Tappet
4	185-5641	2	Gasket, Delivery Valve	18	185-5655	1	Shim
5	185-5643	2	O'Ring	19	185-5654	2	Seat, Lower Spring
6	185-5642	2	Holder, Delivery Valve	20	185-5652	2	Spring, Plunger
7	185-5647	4	Screw, Round Head Machine	21	185-5653	2	Seat, Upper Spring
8	185-5648	4	Washer	22	185-5659	2	Sleeve, Control
9	185-5644	2	Flange, Sleeve	23	185-5651	1	Wire, Retainer
10	185-5645	2	Pin, Joint	24	185-5650	2	Pin
11	185-5646	4	O'Ring	25	185-5658	4	Screw, Machine
12	185-5638	2	Plunger, Pump	26	185-5657	1	Plate
13	185-5662	1	Screw	27	185-5656	1	Rack, Control
14	185-5663	1	Gasket				

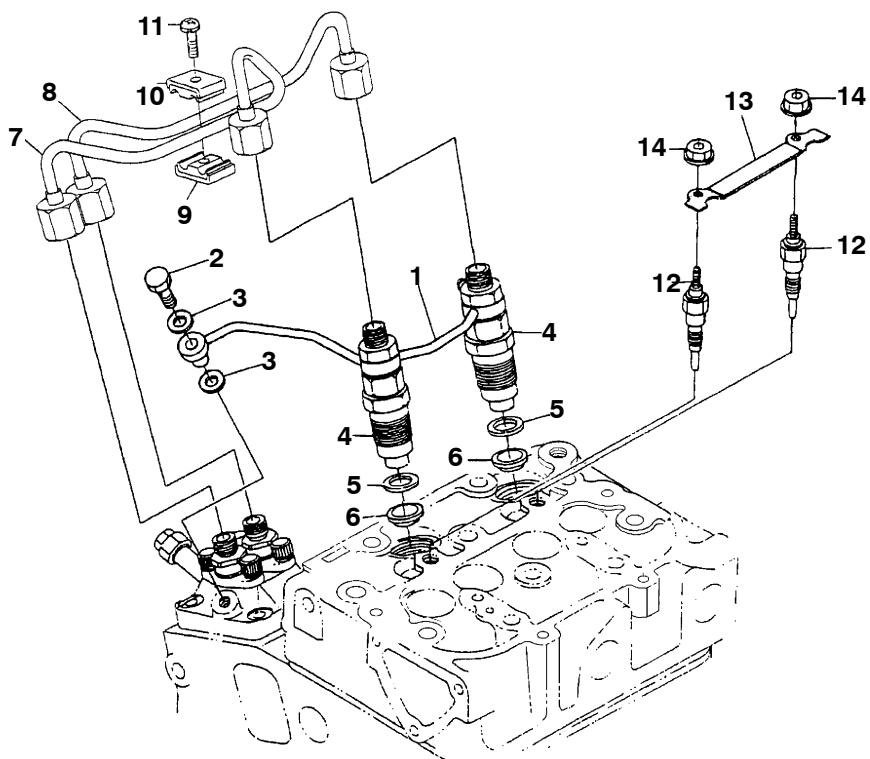
Nozzle Holder (Spec A-B)



REF NO.	PART NO.	QTY USED	PART DESCRIPTION	REF NO.	PART NO.	QTY USED	PART DESCRIPTION
	184-0035	1	Kit, Nozzle Holder (Includes Nozzle Holder and Gasket-SPEC A-D)	11	185-5421	2	◆Plug, Glow (HR5)MC SPEC A-D
	A045Y560	1	Kit, Nozzle Holder (Includes Nozzle Holder and Gasket-SPEC E)		A045Y557	2	◆Plug, Glow (HR5)MC SPEC E
1	184-0062	1	Pipe Assy, Overflow	12	337-3782	1	Bar, Bus
2	185-7082	1	Screw, Air Bleeder	13	185-5615	2	Nut, Flange
3	185-2284	2	Gasket				
4	185-6738	2	Holder, Nozzle				
5	185-5337	2	Gasket				
6	501-0925	1	Line, Fuel				
7	501-0926	1	Line, Fuel				
8	185-5612	1	Clamp, Bottom Pipe				
9	185-2345	1	Clamp, Top Pipe				
10	185-2385	1	Screw, Pan Head Machine				

⚠WARNING ◆MC – Are **MARINE CRITICAL** and must comply with boating safety ignition protection, back-fire, fire resistance, exhaust system integrity, or other requirements established by regulatory agencies, such as US Coast Guard, ABYU, and ISO. When **MARINE CRITICAL** parts are replaced for any reason, use Onan parts that are identified with the part numbers in this book.

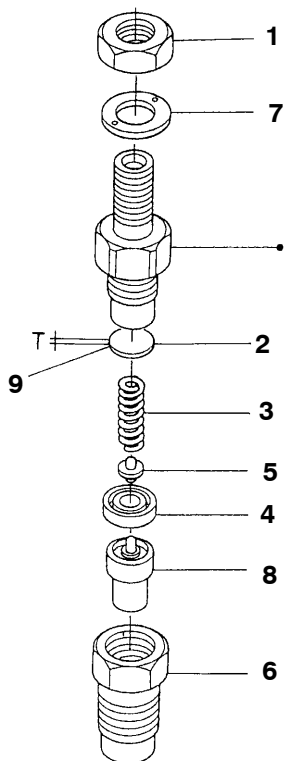
Nozzle Holder (Begin Spec C)



REF NO.	PART NO.	QTY USED	PART DESCRIPTION	REF NO.	PART NO.	QTY USED	PART DESCRIPTION
	181-9084	2	Kit, Nozzle Holder (Includes Nozzle Holder and Gasket)	13	181-9170	1	Cord, Glow Plug
1	181-9232	1	Pipe, Fuel Overflow	14	185-5615	2	Nut, Flange
2	185-7082	1	Screw, Air Bleeder				
3	185-2284	2	Gasket				
4	185-6738	2	Holder, Nozzle				
5	185-5337	2	Gasket				
6	185-5985	2	Seal, Heat				
7	501-1118	1	Line, Fuel				
8	501-1119	1	Line, Fuel				
9	185-5612	1	Clamp, Bottom Pipe				
10	185-2345	1	Clamp, Top Pipe				
11	185-2385	1	Screw, W/ Washer				
12	185-5421	2	◆ Plug, Glow (HR5)MC				

⚠WARNING ◆MC – Are MARINE CRITICAL and must comply with boating safety ignition protection, back-fire, fire resistance, exhaust system integrity, or other requirements established by regulatory agencies, such as US Coast Guard, ABYO, and ISO. When MARINE CRITICAL parts are replaced for any reason, use Onan parts that are identified with the part numbers in this book.

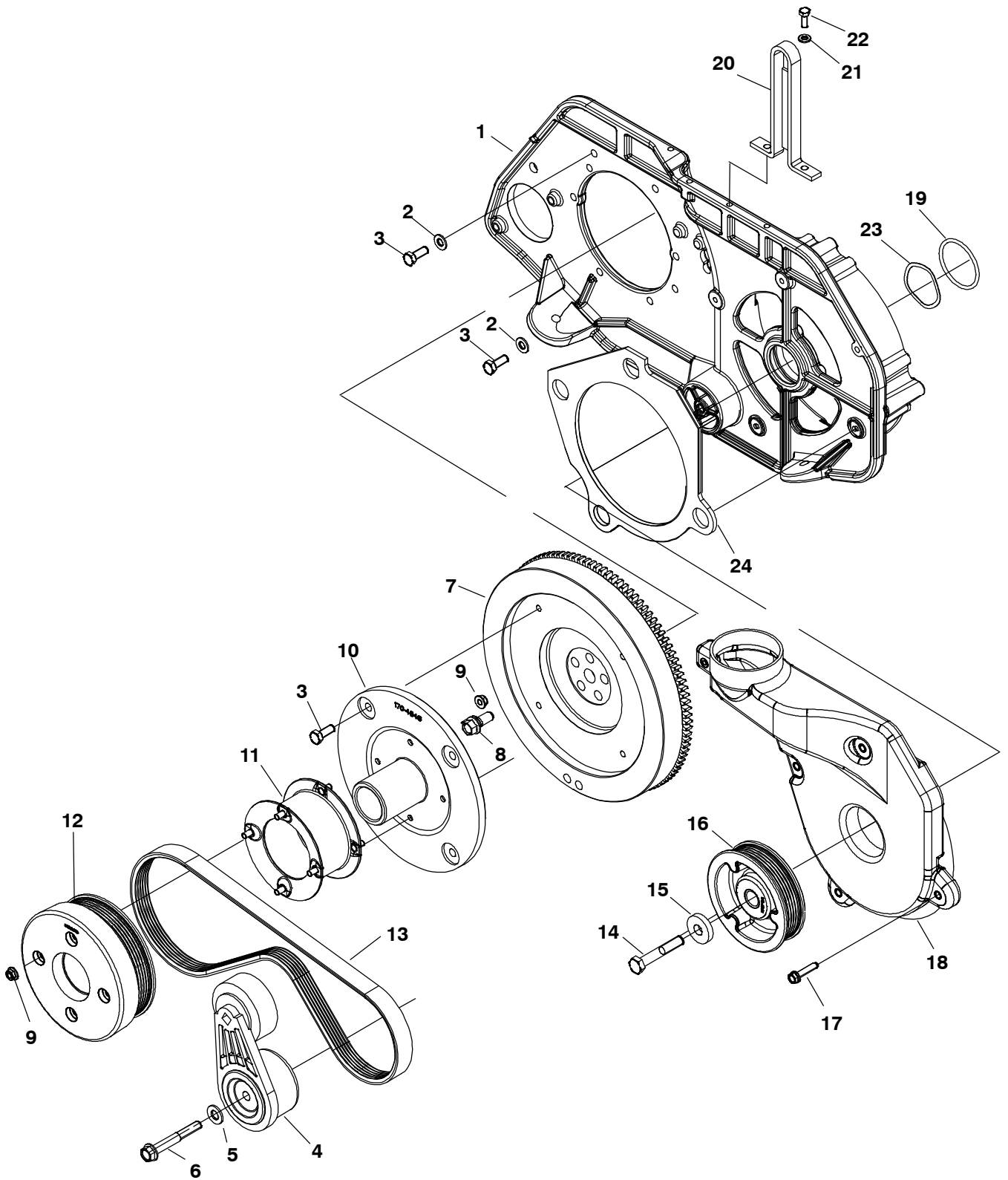
Nozzle Holder Components



REF NO.	PART NO.	QTY USED	PART DESCRIPTION	REF NO.	PART NO.	QTY USED	PART DESCRIPTION
	185-6738	1	Holder Assy, Nozzle		185-5381	2	1.325 mm
1	185-5616	2	Nut, Hex		185-5382	2	1.350 mm
2	185-5364	2	Washer, Adjusting		185-5383	2	1.375 mm
3	185-5617	2	Spring		185-5384	2	1.400 mm
4	185-5618	2	Spacer		185-5385	2	1.425 mm
5	185-5619	2	Rod, Push		185-5386	2	1.450 mm
6	185-6825	2	Nut, Nozzle		185-5387	2	1.475 mm
7	185-5621	2	Washer		185-5388	2	1.500 mm
8	185-5622	2	Nozzle		185-5389	2	1.525 mm
9	185-5363	2	Washer Assy, Adjusting		185-5390	2	1.550 mm
			(Includes all of the following:		185-5391	2	1.575 mm
	185-5364	2	0.900 mm		185-5392	2	1.600 mm
	185-5365	2	0.925 mm		185-5393	2	1.625 mm
	185-5366	2	0.950 mm		185-5394	2	1.650 mm
	185-5367	2	0.975 mm		185-5395	2	1.675 mm
	185-5368	2	1.000 mm		185-5396	2	1.700 mm
	185-5369	2	1.025 mm		185-5397	2	1.725 mm
	185-5370	2	1.050 mm		185-5398	2	1.750 mm
	185-5371	2	1.075 mm		185-5399	2	1.775 mm
	185-5372	2	1.100 mm		185-5400	2	1.800 mm
	185-5373	2	1.125 mm		185-5401	2	1.825 mm
	185-5374	2	1.150 mm		185-5402	2	1.850 mm
	185-5375	2	1.175 mm		185-5403	2	1.875 mm
	185-5376	2	1.200 mm		185-5404	2	1.900 mm
	185-5377	2	1.225 mm		185-5405	2	1.925 mm
	185-5378	2	1.250 mm		185-5406	2	1.950 mm
	185-5379	2	1.275 mm				
	185-5380	2	1.300 mm				

"Intentionally Left Blank"

Drive

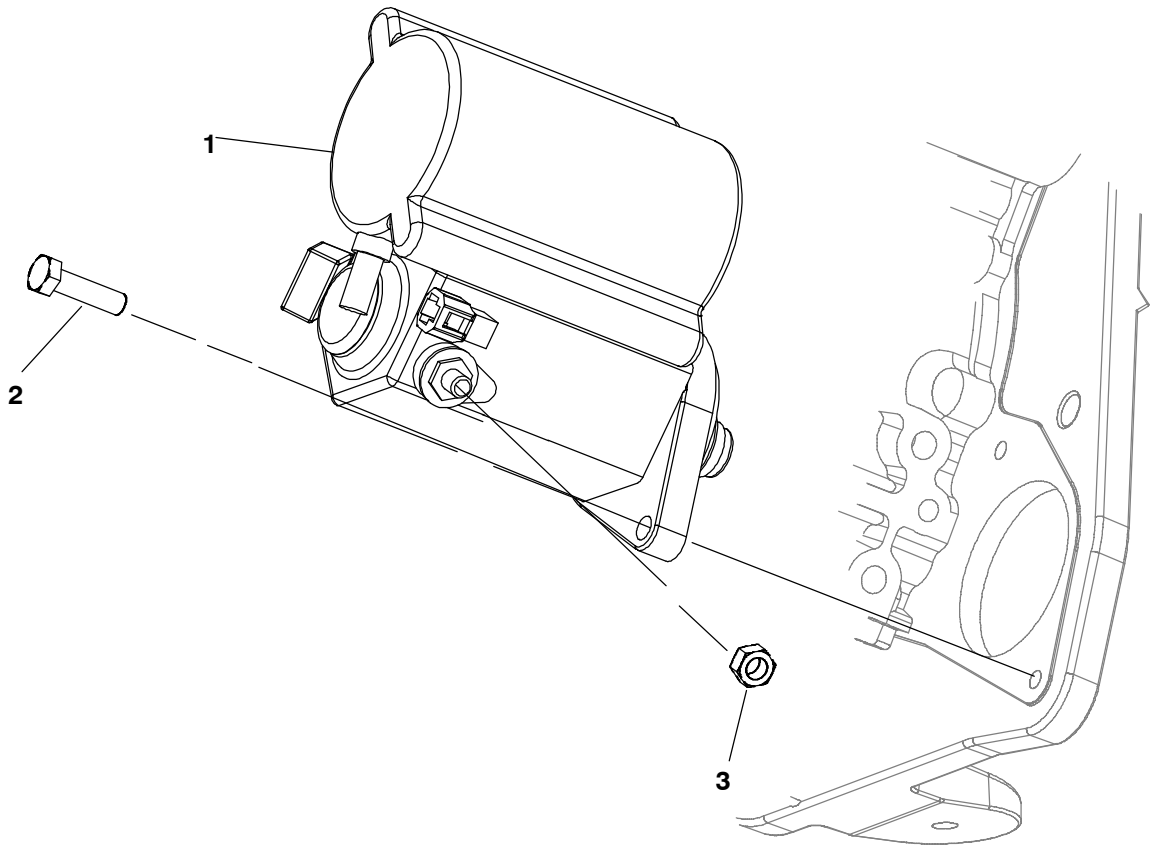


Drive

REF NO.	PART NO.	QTY USED	PART DESCRIPTION	REF NO.	PART NO.	QTY USED	PART DESCRIPTION
1	101-0826-02	1	Adapter, Engine	17	815-0941-04	4	Screw, Hex Thread Form (M6 x 1 x 30mm)
2	526-2100	8	Washer, Flat (M8)	18	405-7388	1	Duct, Intake
3	800-2057	12	Screw, Hex Head Cap (M8 x 1.25 x 20mm)	19	509-0420	1	O'Ring
4	190-0757	1	Tensioner, Belt	20	403-4546-02	1	Bracket, Lifting
5	526-2120	1	Washer, Flat (M10)	21	526-2080	2	Washer, Flat (M6)
6	815-0657	1	Hex Thread Form (3/8-16 x .75")	22	800-2033	2	Screw, Hex Head Cap (M6 x 1 x 16mm)
7	104-1967-02	1	Flywheel Assy (Includes Ring Gear)	23	851-0045	1	Washer, Wave
8	185-5587	5	Bolt, Flywheel	24	405-7389	1	Seal, Air Inlet
9	870-2065-02	8	Nut, Hex (M6 x 1)				
10	232-4111	1	Hub, Flex Coupling				
11	512-0217	1	Coupling				
12	512-0248	1	Pulley Assy, Drive (Includes Bearings)				
13	511-0196	1	◆ Belt (6 Rib)MC				
14	800-2093	1	Screw, Hex Head Cap (M10 x 1.5 x 60mm)				
15	526-0017	1	Washer, Flat				
16	512-0205-01	1	Pulley, Generator				

⚠WARNING ◆MC – Are **MARINE CRITICAL** and must comply with boating safety ignition protection, back-fire, fire resistance, exhaust system integrity, or other requirements established by regulatory agencies, such as US Coast Guard, ABYU, and ISO. When **MARINE CRITICAL** parts are replaced for any reason, use Onan parts that are identified with the part numbers in this book.

Starter

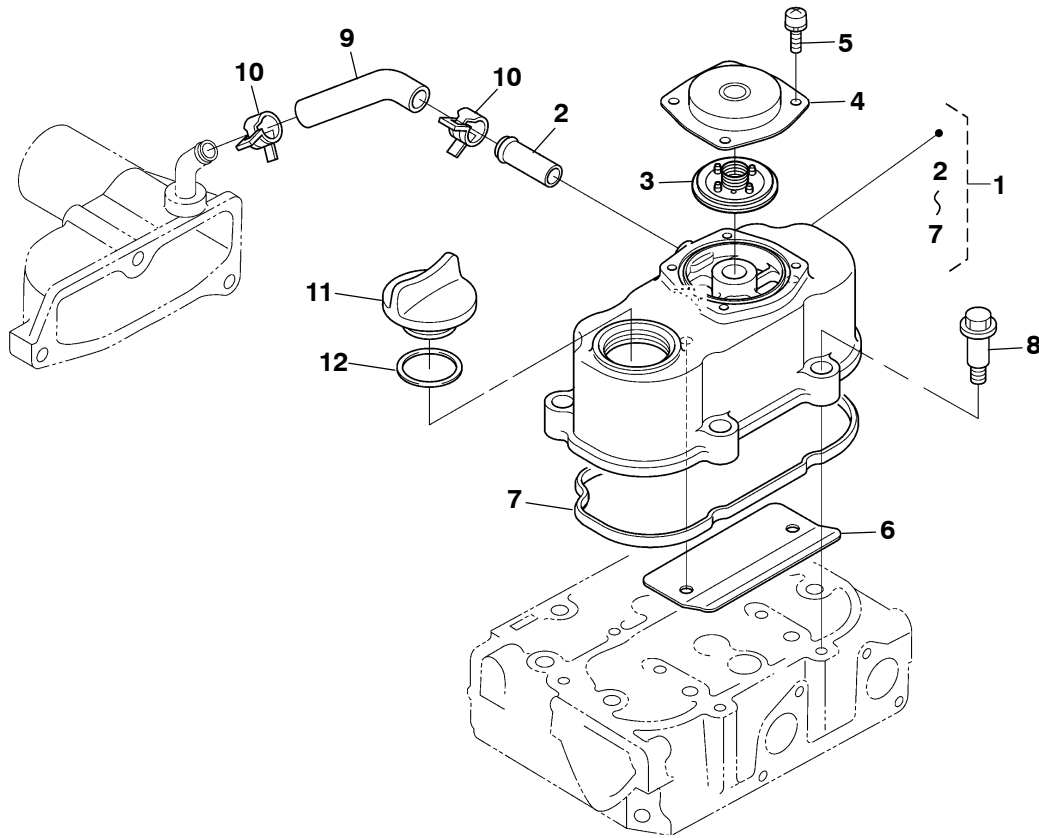


REF NO.	PART NO.	QTY USED	PART DESCRIPTION
1	191-2229	1	◆ Starter MC
2	815-0781	2	Screw, Hex Head Cap (M8 x 1.25 x 30mm)
3	870-2055	2	Nut (M8 x 2.15mm)

⚠ WARNING ◆ MC – Are MARINE CRITICAL and must comply with boating safety ignition protection, back-fire, fire resistance, exhaust system integrity, or other requirements established by regality agencies, such

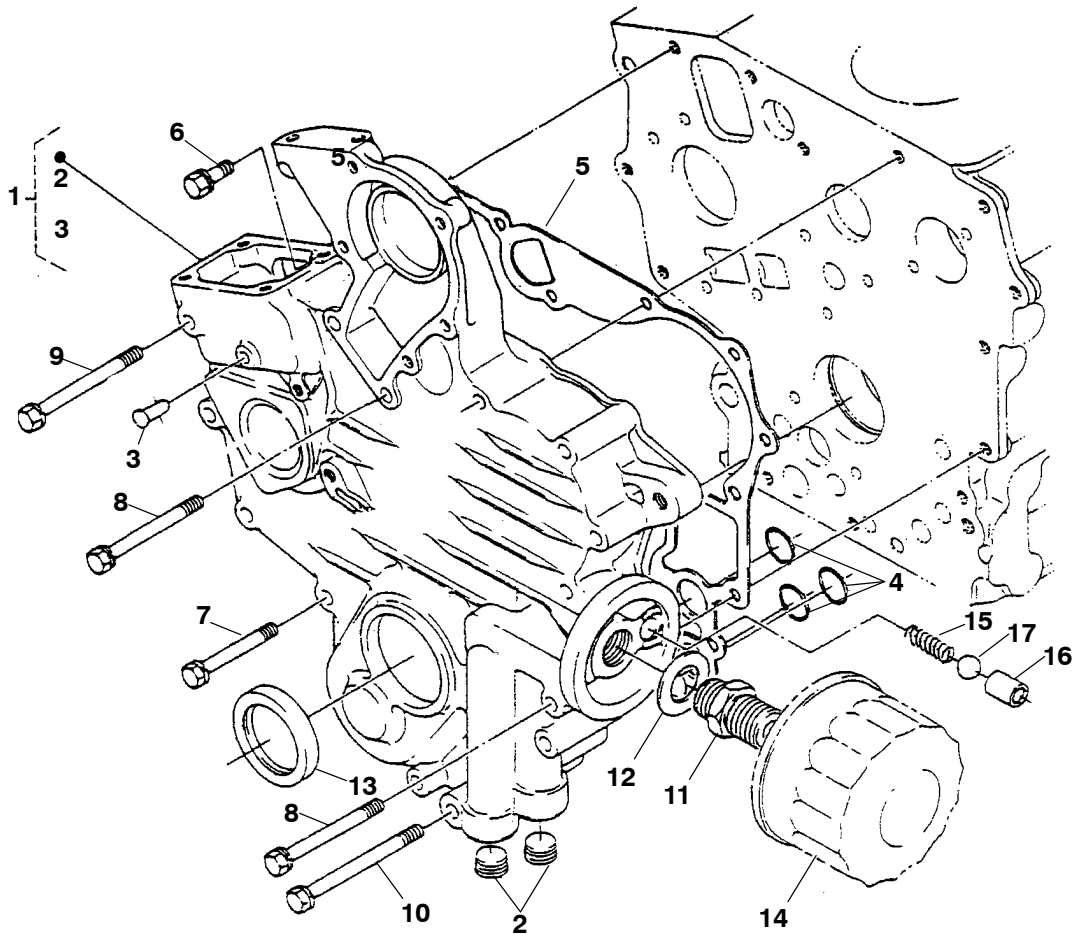
as US Coast Guard, ABYU, and ISO. When MARINE CRITICAL parts are replaced for any reason , use Onan parts that are identified with the part numbers in this book.

Cylinder Head Cover



REF NO.	PART NO.	QTY USED	PART DESCRIPTION	REF NO.	PART NO.	QTY USED	PART DESCRIPTION
1	134-5360	1	Cover, Cylinder Head Spec A-B	6	123-2303	1	Breather, Baffle (A-B)
	181-9245	1	Begin Spec C	7	115-0516	1	Gasket, Rocker Cover Spec A-B
2	185-5719	1	Pipe, Water Return Spec A-B		181-9246	1	Begin Spec C
	181-9107	1	Begin Spec C	8	800-6330	4	Screw, Hex Head
3	123-2301	1	Valve Spec A-B	9	123-2304	1	Tube, Breather
	123-2296	1	Spec C	10	181-9024	2	Clip, Hose
4	123-2302	1	Cover, Breather Spec A-B	11	123-2299	1	Plug, Oil Filler Spec A-B
	181-9238	1	Begin Spec C		181-9000	1	Begin Spec C
5	185-2384	4	Screw, with Washer	12	185-7426	1	O'Ring

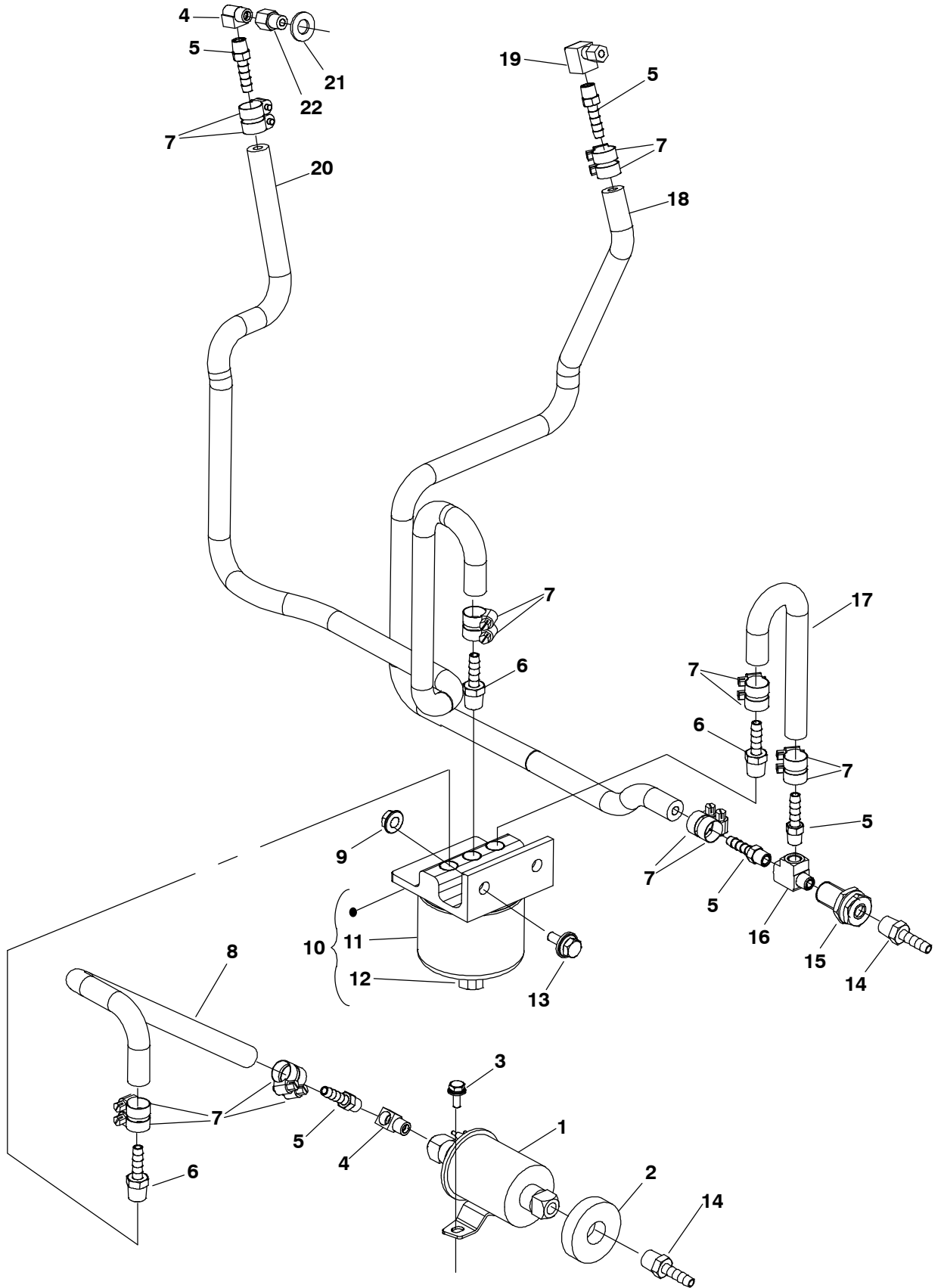
Gearcase (Spec A-E)



REF NO.	PART NO.	QTY USED	PART DESCRIPTION	REF NO.	PART NO.	QTY USED	PART DESCRIPTION
1			Gearcase (Includes Plugs and Pin)	8	185-5507	1	Bolt
	184-0043	1	Spec A-B	9	185-2397	1	Bolt
	103-0861	1	Spec C	10	185-2398	1	Bolt
	103-0843	1	Begin Spec D	11	185-2124	1	Joint, Pipe
2	185-2234	2	Plug	12	185-5508	1	Washer, Plain
3	185-5506	1	Pin, Start Spring	13	185-5410	1	Seal, Oil
4	184-0015	3	O'Ring (Spec A-B)	14	185-7444	1	Filter, Oil
5			Gasket, Gearcase	15	185-5509	1	Spring
	185-7382	1	Spec A-B	16	185-5510	1	Seat, Valve
	103-0860	1	Begin Spec C	17		1	Ball
6	185-2389	1	Bolt		185-6711	1	Spec A-B
7	185-7069	10	Bolt		181-9023	1	Begin Spec C

"Intentionally Left Blank"

Fuel Pump (Spec A-B)

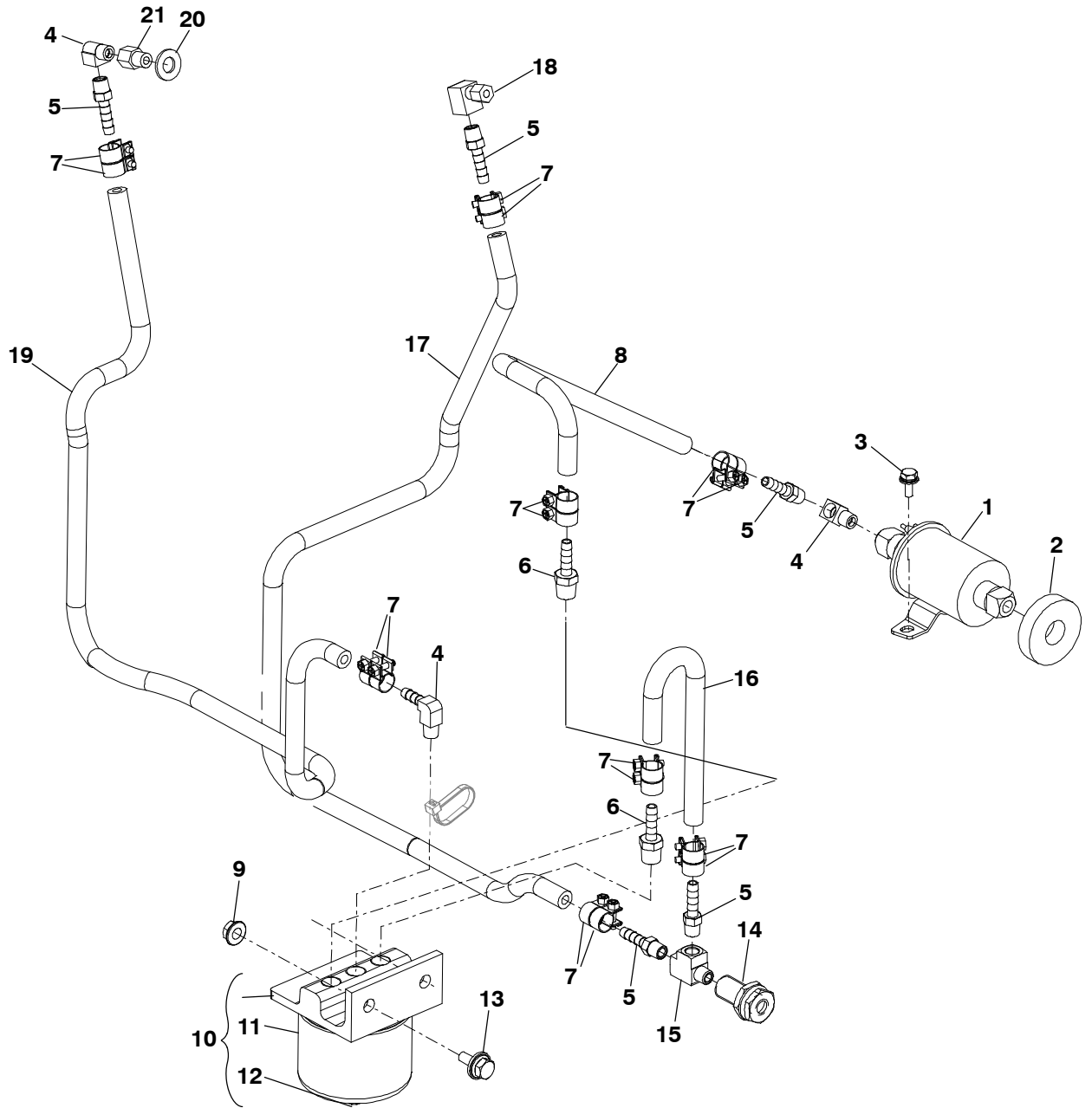


Fuel Pump (Spec A-B)

REF NO.	PART NO.	QTY USED	PART DESCRIPTION	REF NO.	PART NO.	QTY USED	PART DESCRIPTION
	149-2651	1	Kit, Fuel Adapter (Includes Connector Hose)	16	502-1368	1	Tee, Street (1/8 NPT)
1	149-2646	1	◆ Pump, Fuel MC	17	503-2200-01	1	◆ Hose, Fuel (191.4mm) MC
2	403-3860	1	Seal, Fuel Pump	18	503-2200-04	1	◆ Hose, Fuel (784mm)(784mm) MC
3	821-6002-02	2	Screw, Hex Head Sems (M6 x 1 x 12mm)	19	502-1224	1	Elbow, 90 Female
4	502-0020	2	Elbow, Pipe	20	503-2200-03	1	◆ Hose, Fuel (849.9mm) MC
5	502-1367-01	5	Connector, Hose	21	526-0401	1	Washer, Flat
6	502-1367-02	3	Connector, Hose	22	502-1177	1	Connector, Female
7	503-2309	16	Clamp, Hose				
8	503-2200-02	1	◆ Hose, Fuel (336.8mm) MC				
9	870-2055	2	Nut, Lock Flange (M8 x 1.25)				
10	149-2634-01	1	Filter Assy, Fuel (Includes Plug and Base)				
11	149-2106	1	Filter, Fuel (Includes Plug)				
12	502-0028	1	Plug, Hex Head Pipe (1/8 NPT)				
13	821-6003-01	2	Screw, Hex Head Sems (M8 x 1.25 x 16mm)				
14	502-1367-03	2	Connector, Hose				
15	502-1244	1	Coupling, Anchor				

⚠WARNING ◆MC – Are **MARINE CRITICAL** and must comply with boating safety ignition protection, back-fire, fire resistance, exhaust system integrity, or other requirements established by regulatory agencies, such as US Coast Guard, ABYU, and ISO. When **MARINE CRITICAL** parts are replaced for any reason , use Onan parts that are identified with the part numbers in this book.

Fuel Pump (Begin Spec C)

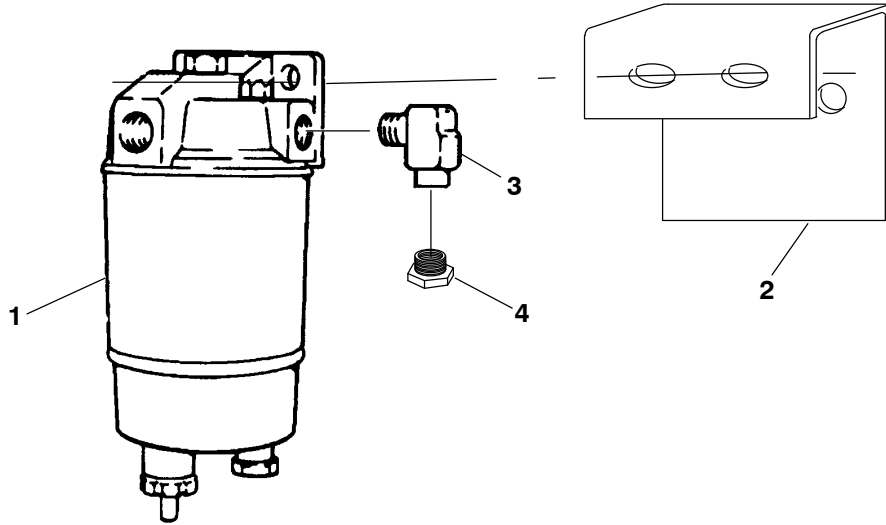


Fuel Pump (Begin Spec C)

REF NO.	PART NO.	QTY USED	PART DESCRIPTION	REF NO.	PART NO.	QTY USED	PART DESCRIPTION
1	149-2646	1	◆ Pump, Fuel MC	16	503-2883-10	1	◆ Hose, Fuel (191.4mm) MC
2	403-3860	1	Seal, Fuel Pump	17	503-2883-04	1	◆ Hose, Fuel (784mm)(784mm) MC
3	821-6002-02	2	Screw, Hex Head Sems (M6 x 1 x 12mm)	18	502-1224	1	Elbow, 90 Female
4	502-0020	2	Elbow, Pipe	19	503-2883-03	1	◆ Hose, Fuel (849.9mm) MC
5	502-1367-01	5	Connector, Hose	20	526-0401	1	Washer, Flat
6	502-1367-02	2	Connector, Hose	21	502-1177	1	Connector, Female
7	503-2808	16	Clamp, Hose				
8	503-2883-02	1	◆ Hose, Fuel (336.8mm) MC				
9	870-2055	2	Nut, Lock Flange (M8 x 1.25)				
10	149-2634-01	1	Filter Assy, Fuel (Includes Plug and Base)				
11	149-2106	1	Filter, Fuel (Includes Plug)				
12	502-0028	1	Plug, Hex Head Pipe (1/8 NPT)				
13	821-6003-01	2	Screw, Hex Head Sems (M8 x 1.25 x 16mm)				
14	502-1244	1	Coupling, Anchor				
15	502-1368	1	Tee, Street (1/8 NPT)				

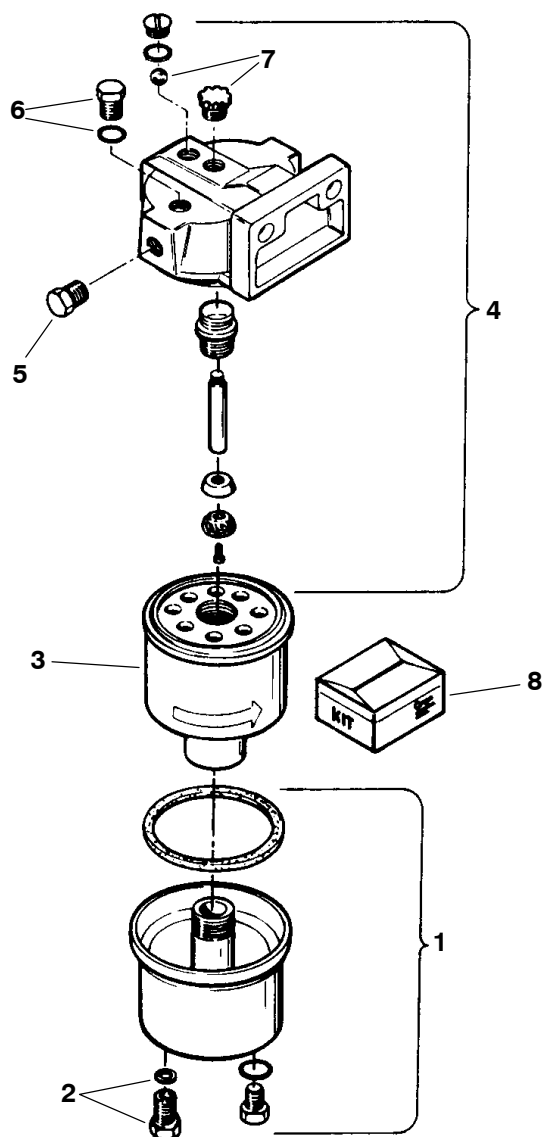
⚠WARNING ◆MC – Are MARINE CRITICAL and must comply with boating safety ignition protection, back-fire, fire resistance, exhaust system integrity, or other requirements established by regulatory agencies, such as US Coast Guard, ABYU, and ISO. When MARINE CRITICAL parts are replaced for any reason, use Onan parts that are identified with the part numbers in this book.

Remote Water Separator



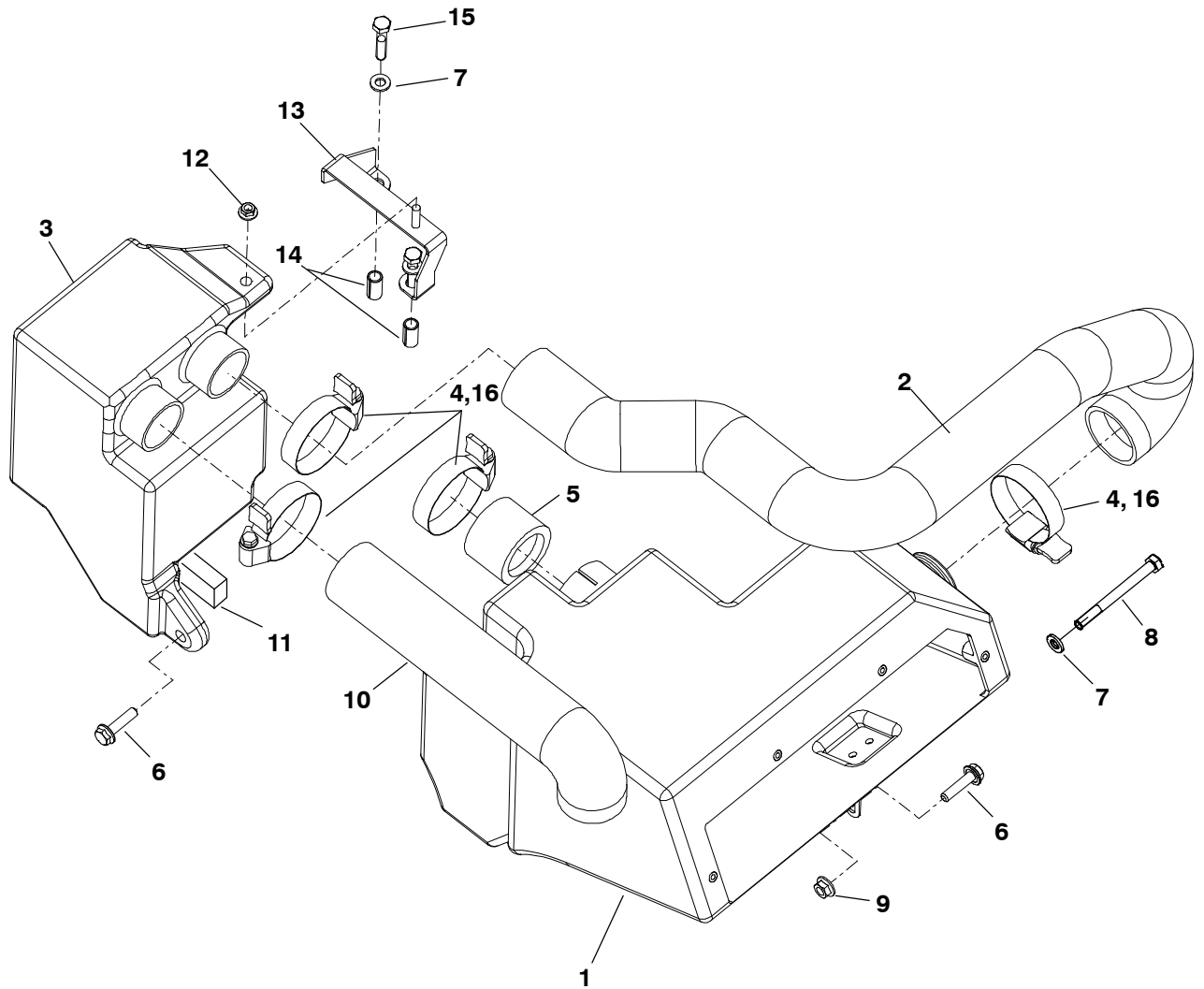
REF NO.	PART NO.	QTY USED	PART DESCRIPTION	REF NO.	PART NO.	QTY USED	PART DESCRIPTION
	149-2073	1	Kit, Remote Fuel/Water Separator	2	149-2041-03	1	Bracket, Separator Mounting
1	149-1908-05	1	Separator, Fuel/Water (See Separate Page for Components)	3	502-0020-01	1	Elbow, Street 90° (1/4 NPT)
				4	502-0029	1	Bushing, Pipe (1/4" to 1/8")

Remote Water Separator Components



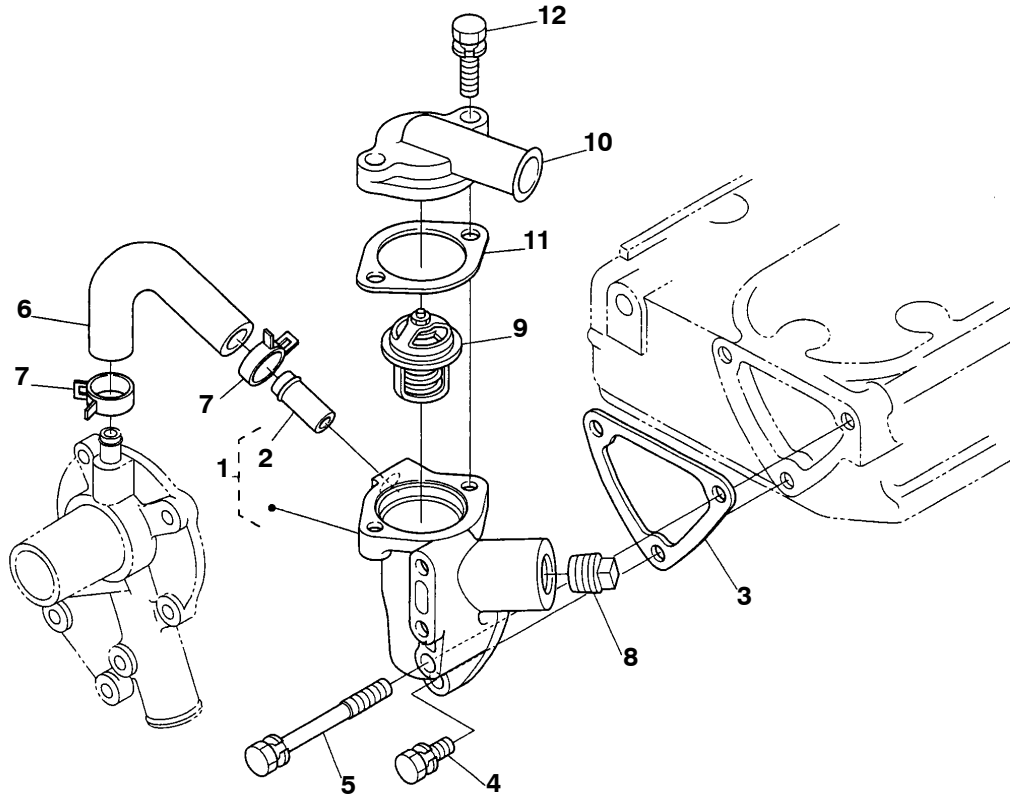
REF NO.	PART NO.	QTY USED	PART DESCRIPTION	REF NO.	PART NO.	QTY USED	PART DESCRIPTION
	149-1908-05	1	Separator, Water	5	502-0153	1	Plug, Hex (1/4")
1	149-2046	1	Kit, Metal Bowl Replacement (Includes Plug, O-Rings and Drain Assy)	6	149-1952	1	Plug, Vent (Includes O-Ring)
2	149-1953	1	Drain Assy (Includes Knob and Seal)	7	149-2047	1	Pump Assy (Includes Plunger, Retainer, Shaft, Check Ball, Knob and Screw)
3	149-1914-01	1	Element (Includes Seals)	8	149-2045	1	Kit, O'Ring (Includes Seal and Plunger)
4	149-1949	1	Head Assy, Replacement (Includes Vent Plug, O-Rings, Seal, Cap, Tube and Pump Assy)				

Resonator



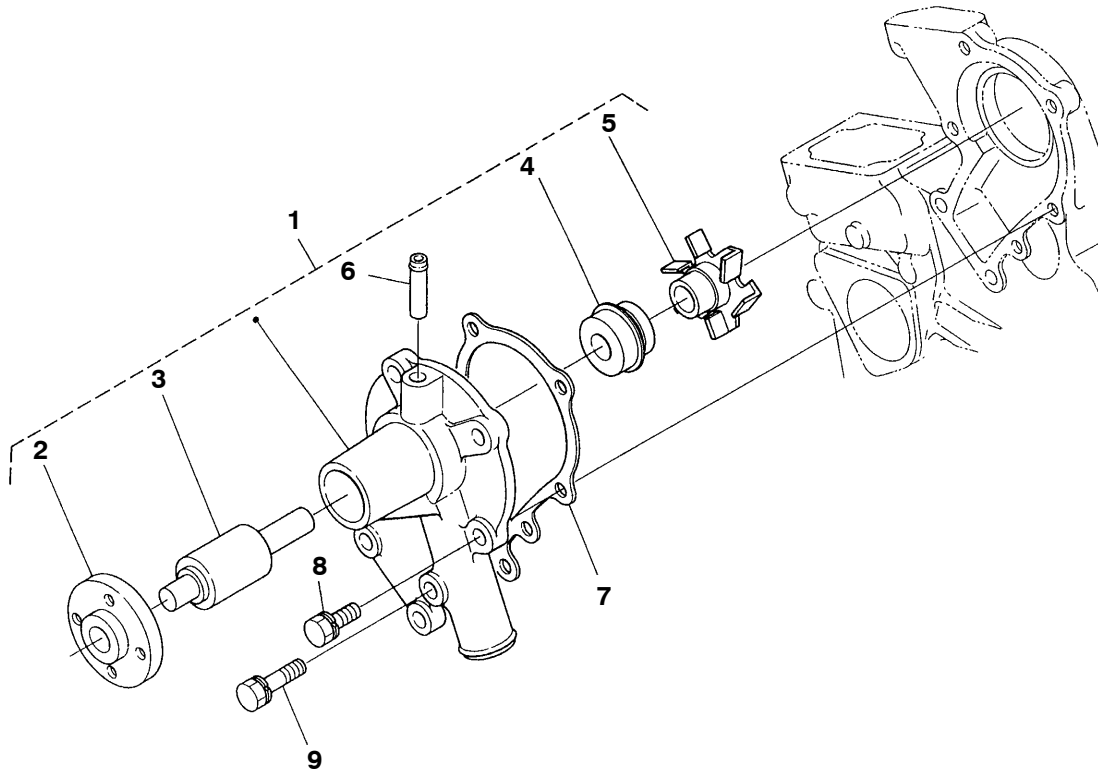
REF NO.	PART NO.	QTY USED	PART DESCRIPTION	REF NO.	PART NO.	QTY USED	PART DESCRIPTION
1			Resonator, Intake	9	870-2065-02	1	Nut, Hex Flanged (M6 x 1mm)
	134-0690	1	Spec A	10	503-2192-01	1	Hose, Intake
	140-4182	1	Begin Spec B	11	895-0399	1	Tape, Weather Stripping (Spec A)
2	503-2206	1	Hose, Intake	12	870-2065-01	1	Nut, Hex Flanged (M5 x 0.8mm)
3			Resonator, Intake	13	140-3821-02	1	Adapter, Intake Resonator
	134-5275-01	1	Spec A	14	508-1228	2	Bushing
	140-7176	1	Spec B	15	800-2036	2	Screw, Hex Head Cap (M6 x 1.0 x 30mm)
	140-4176	1	Begin Spec C	16	503-2823	4	Clamp, Hose (Covers)
4	503-0429	4	Clamp, Hose				
5	140-2898	1	Sleeve, Air Intake				
6	821-2035	2	Screw, Lock Flange (M6 x 1 x 25mm)				
7	526-2080	2	Washer, Flat (M6) (Spec A)				
8	800-2043	1	Screw, Hex Head Cap Spec A (M6 x 1 x 65mm)				

Water Flange (Spec A-C)



REF NO.	PART NO.	QTY USED	PART DESCRIPTION	REF NO.	PART NO.	QTY USED	PART DESCRIPTION
1	184-0063	1	Flange, Water (Includes Pipe)	6			Pipe, Water Return
2			Pipe, Water Return		184-0064	1	Spec A-B
	185-5719	1	Spec A-B		181-9235	1	Begin Spec C
	181-9107	1	Begin Spec C	7	185-6667	2	Band, Pipe
3			Gasket, Water Flange	8			Plug
	185-7393	1	Spec A-B		185-5826	1	Spec A-B
	181-9059	1	Begin Spec C		512-0438	1	Begin Spec C
4			Bolt	9	185-5458	1	Thermostat
	185-2388	1	Spec A-B	10	185-7208	1	Cover, Thermostat
	181-9001	1	Spec C-D	11	185-2238	1	Gasket, Thermostat
	A045Y540	1	Spec E	12	185-6677	2	Bolt
5			Bolt				
	184-0038	1	Spec A-B				
	185-7069	1	Begin Spec C				

Coolant Water Pump

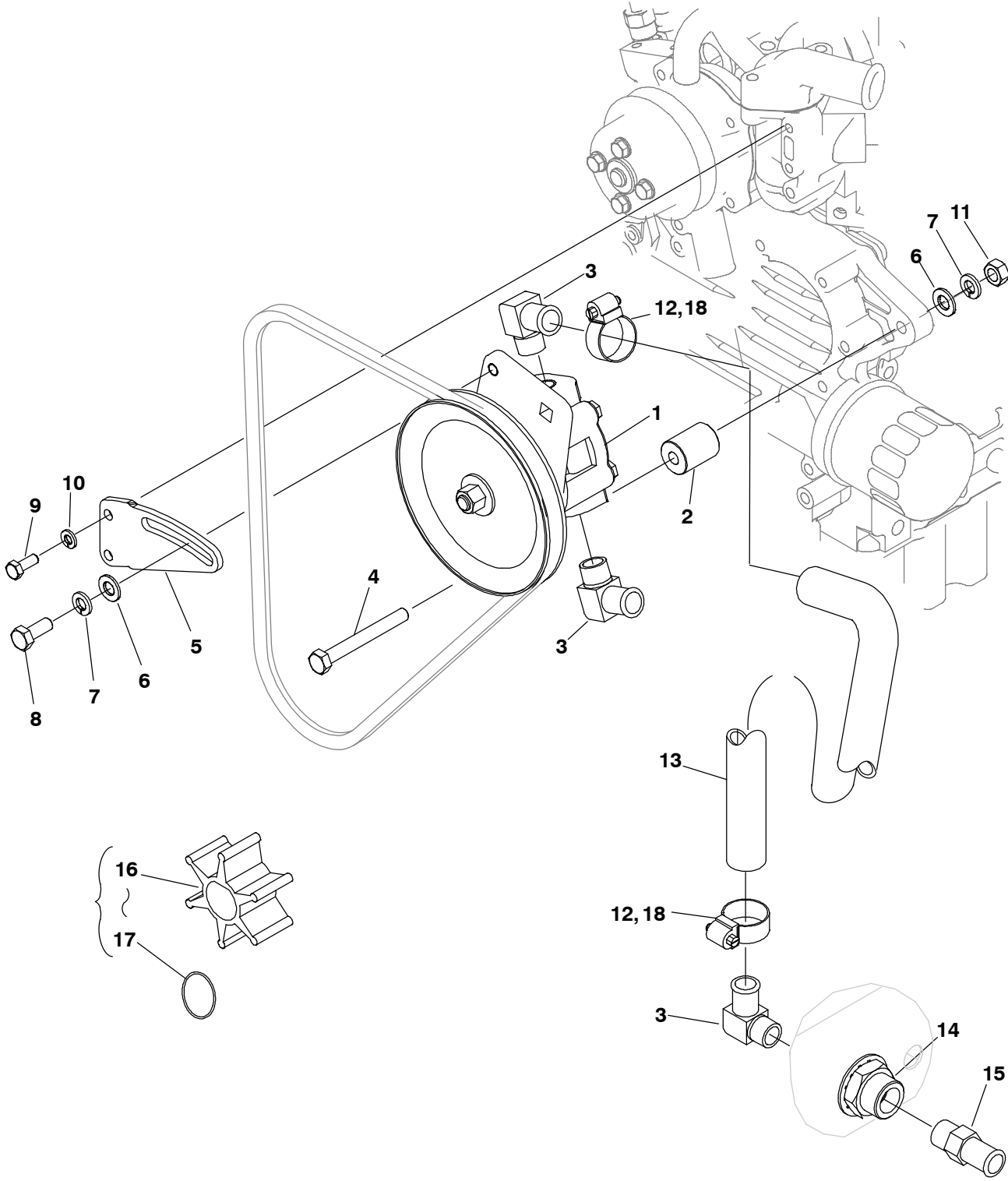


REF NO.	PART NO.	QTY USED	PART DESCRIPTION	REF NO.	PART NO.	QTY USED	PART DESCRIPTION
1			Pump Assy, Water (Includes Parts Marked *)	6	185-5716	1	*Pipe, Water Return
	185-5433	1	Spec A-B	7			Gasket, Water Pump
	132-0492	1	Begin Spec C		185-5434	1	Spec A-B
2	185-5712	1	*Flange		132-0517	1	Begin Spec C
3	185-5713	1	*Bearing	8	185-2559	2	Bolt
4	185-5714	1	*Seal Assy, Mechanical	9	185-5717	2	Bolt
5		1	*Impeller, Water Pump				
	185-5715	1	Spec A-B				
	132-0493	1	Begin Spec C				

* - Parts Included in Water Pump Assy.

”Intentionally Left Blank”

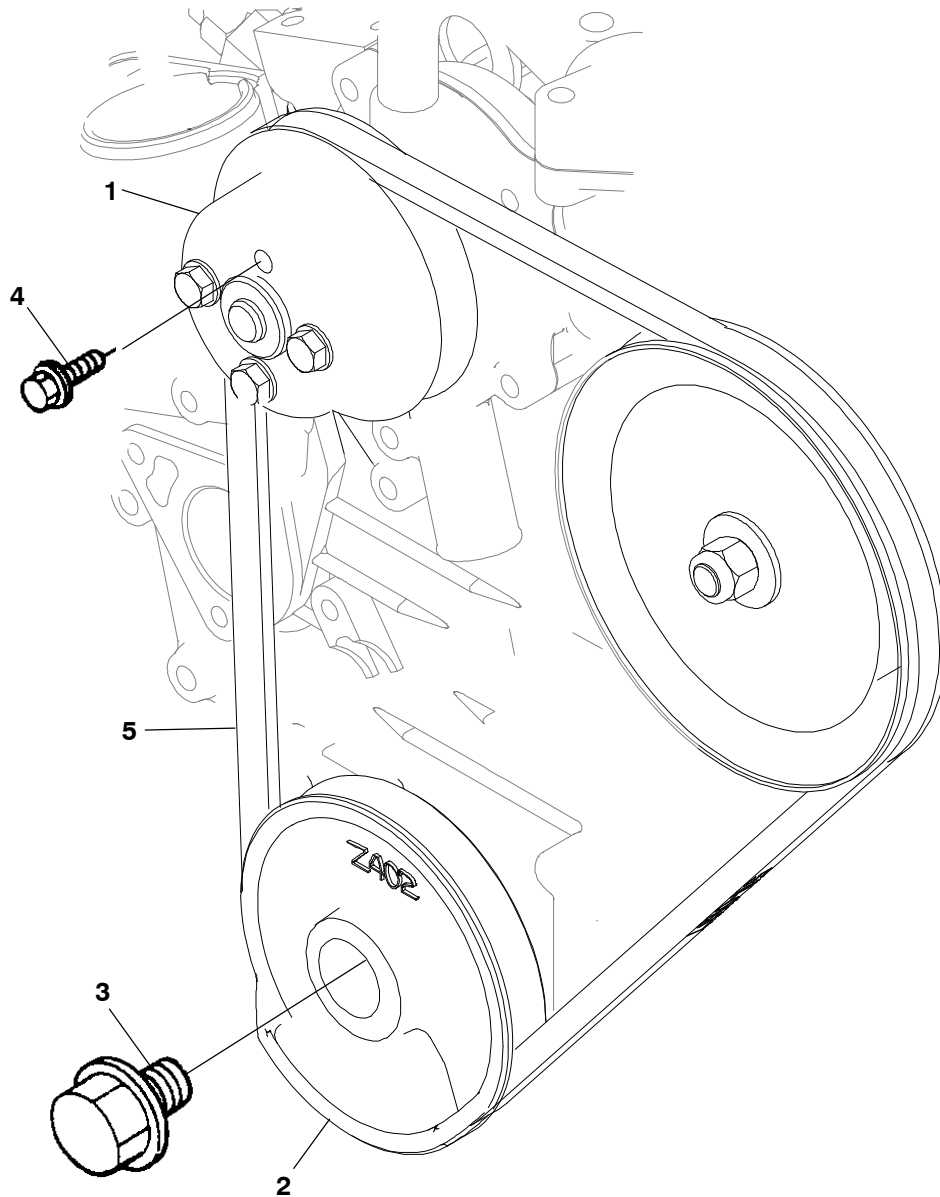
Raw Water Pump



Raw Water Pump

REF NO.	PART NO.	QTY USED	PART DESCRIPTION	REF NO.	PART NO.	QTY USED	PART DESCRIPTION
	132-0415	1	Kit, Water Pump Service (Includes Impeller and O'Ring)	8	800-3017-19	1	Screw, Hex Head Cap (M8 x 20mm)
1	132-0430	1	Pump, Water	9	800-3017-03	2	Screw, Hex Head Cap (M6 x 16mm)
2	132-0411-01	1	Spacer, Water Pump	10	850-0114-53	2	Washer, Lock (M6)
3	502-0942	3	Elbow, 90° Hose (3/8 NPT x 5/8 Hose)	11	862-0026-55	1	Nut, Hex (M8)
4	800-3017-29	1	Screw, Hex Head Cap (M8 x 70mm)	12	503-1135	2	Clamp, Hose
5			Bracket, Mounting	13	503-2193	1	Hose, Coolant
	130-5188-02	1	Spec A,C	14	502-1209	1	Coupling, Union
	132-0497-02	1	Spec B	15	502-0943	1	Connector, Hose
6	526-0399-60	2	Washer, Flat (M8)	16	132-0407	1	Impeller, Pump
7	850-0114-54	2	Washer, Lock (M8)	17	132-0410	1	O'Ring
				18	503-2823	2	Clamp, Hose (Covers)

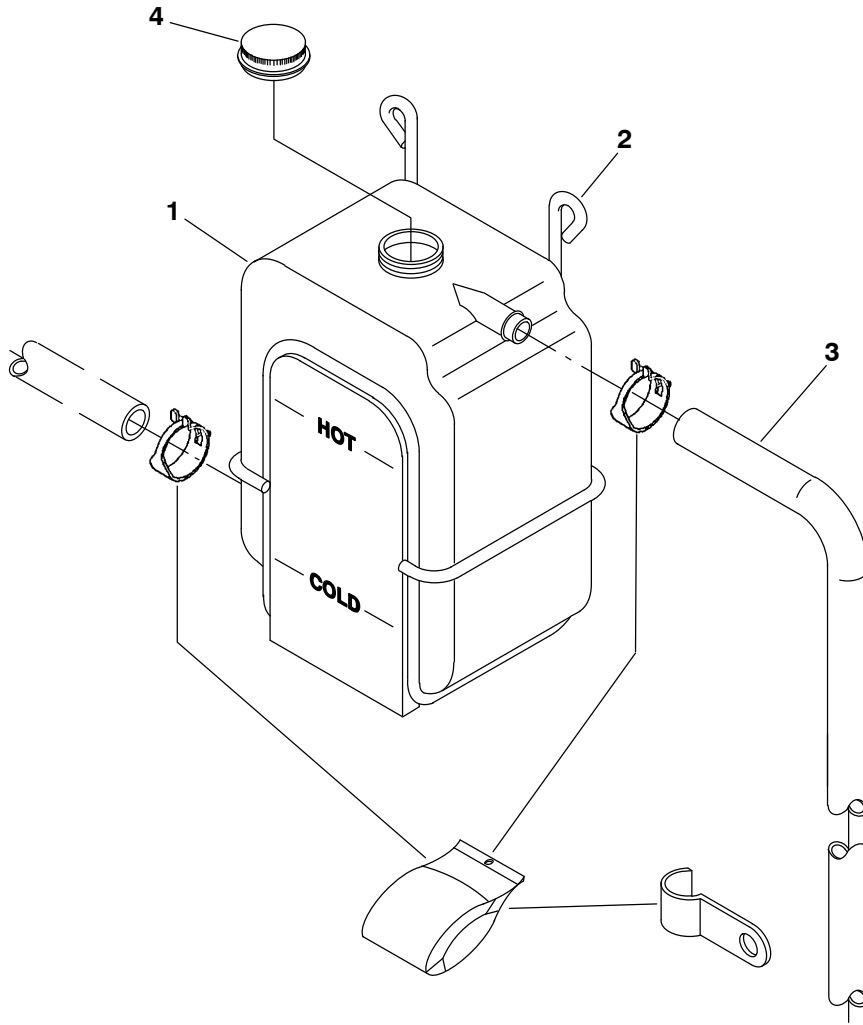
Pulley



REF NO.	PART NO.	QTY USED	PART DESCRIPTION	REF NO.	PART NO.	QTY USED	PART DESCRIPTION
1	185-5707	1	Pulley, Fan	5	511-0197	1	◆Belt, "V" MC
2	184-0050	1	Pulley, Fan Drive				
3	185-5709	1	Bolt, Flange				
4	185-2572	4	Bolt, Flange				

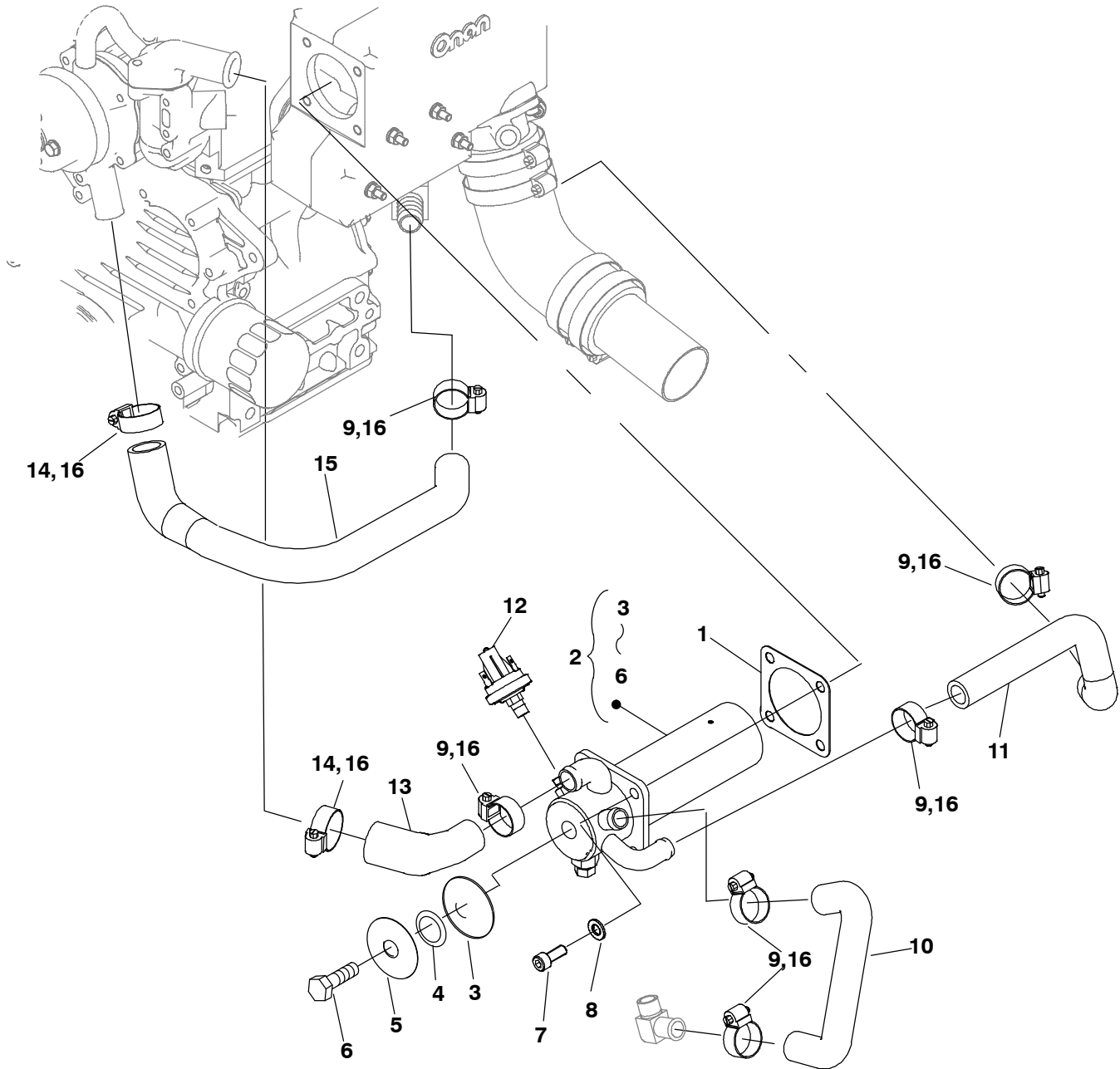
▲WARNING ◆MC – Are MARINE CRITICAL and must comply with boating safety ignition protection, back-fire, fire resistance, exhaust system integrity, or other requirements established by regulatory agencies, such as US Coast Guard, ABYU, and ISO. When MARINE CRITICAL parts are replaced for any reason, use Onan parts that are identified with the part numbers in this book.

Coolant Recovery



REF NO.	PART NO.	QTY USED	PART DESCRIPTION	REF NO.	PART NO.	QTY USED	PART DESCRIPTION
	130-3574	1	Kit, Coolant Recovery	3	503-1692	1	Hose (5/16 I.D. x 120" Lg.)
1	130-3570	1	Tank, Coolant Recovery	4	130-3572	1	Cap, Tank
2	130-3571	1	Hanger, Tank				

Heat Exchanger

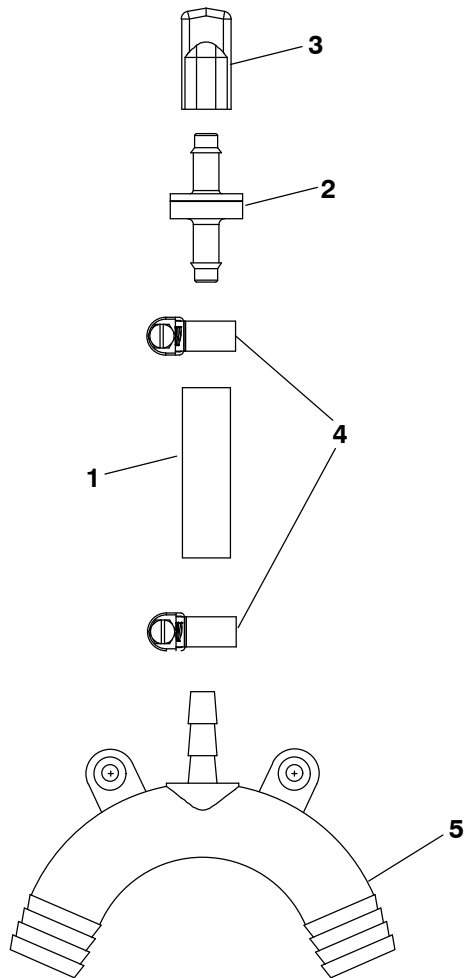


Heat Exchanger

REF NO.	PART NO.	QTY USED	PART DESCRIPTION	REF NO.	PART NO.	QTY USED	PART DESCRIPTION
	130-5176	1	Kit, Cap (Includes Parts Marked *)	13	503-2160	1	Hose, Coolant
1	130-5139	1	Gasket, Heat Exchanger	14	503-1136	2	Clamp, Hose
2	130-5138	1	Exchanger, Heat (Includes Gasket, O'Ring, Cover, and Screw)	15	503-2161	1	Hose, Coolant
3	130-5170	1	*Gasket, End Cover	16	503-2823	8	Clamp, Hose (Covers)
4	509-0351	1	*O'Ring	⚠WARNING ♦MC – Are MARINE CRITICAL and must comply with boating safety ignition protection, back-fire, fire resistance, exhaust system integrity, or other requirements established by regulatory agencies, such as US Coast Guard, ABYU, and ISO. When MARINE CRITICAL parts are replaced for any reason , use Onan parts that are identified with the part numbers in this book.			
5	130-5169	1	*Cover, End				
6	800-0317	1	*Screw, Hex Head (5/16-18)				
7	815-0916	4	Screw, Socket, Head Cap (M8 x 20mm)				
8	526-0399-60	4	Washer, Flat (M8)				
9	503-1135	6	Clamp, Hose				
10	503-2162	1	Hose, Coolant				
11	503-2189	1	Hose, Coolant				
12	309-0717	1	♦Switch, Pressure MC				

* – Parts Included in Heat Exchanger Cap Kit.

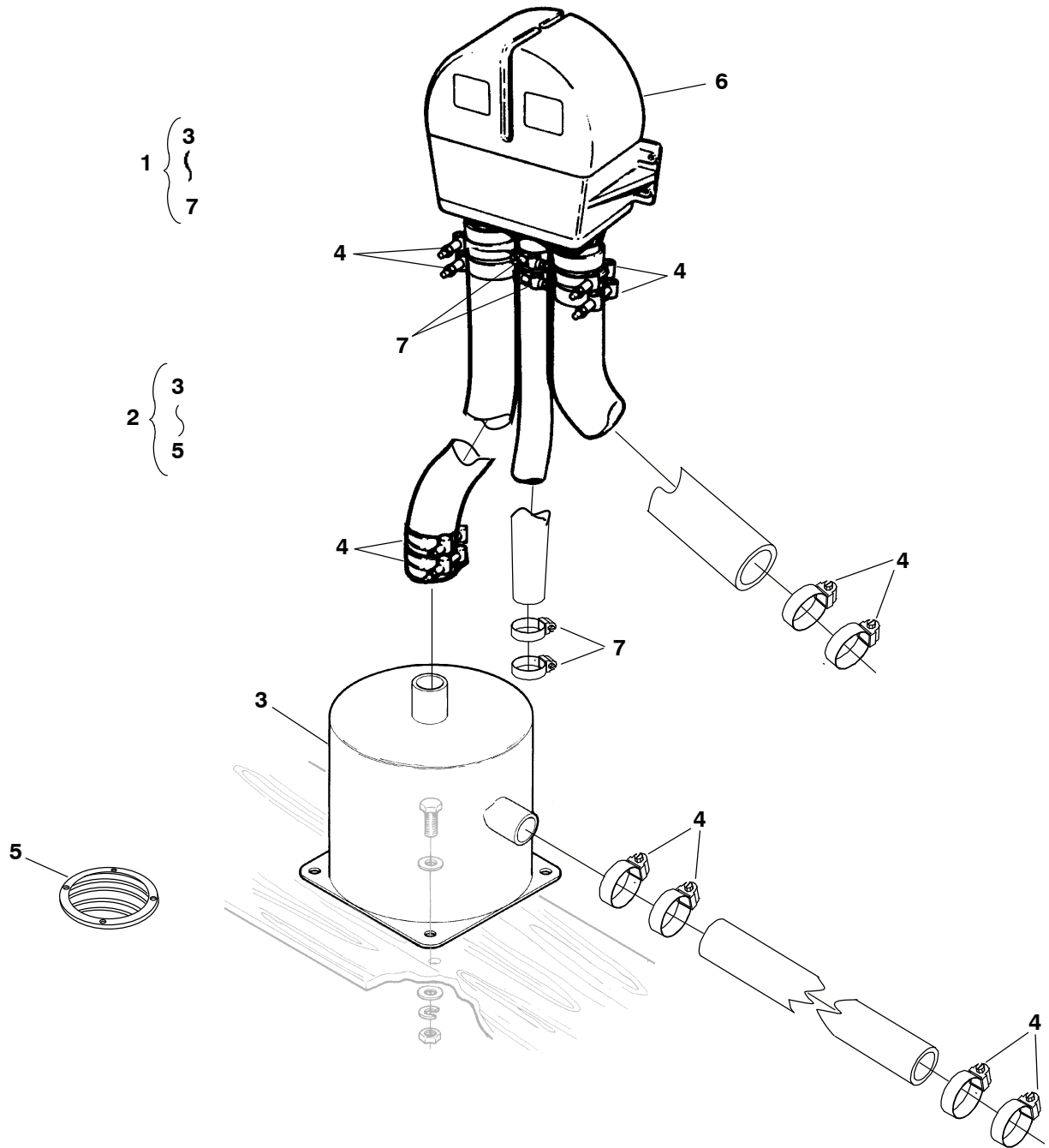
Break Siphon Kit



REF NO.	PART NO.	QTY USED	PART DESCRIPTION	REF NO.	PART NO.	QTY USED	PART DESCRIPTION
	541-0876-02	1	Kit, Siphon Break	8	503-2396	1	*Hose, Coolant
1	503-2728-01	1	Hose, Coolant	9	503-2213	2	*Hose, Coolant
2	504-0223	1	Valve, Check	10	502-1383	2	*Union, Hose (3/4" x 3/4")
3	502-1425-02	2	Cap, Tube				
4	503-2309	1	Clamp, Hose				
5	502-1463	1	Connector, Hose				
6	503-0977	8	*Clamp, Hose				
7	508-0166	2	*Grommet				

* - Parts not shown in Assembly view are shipped loose in kit.

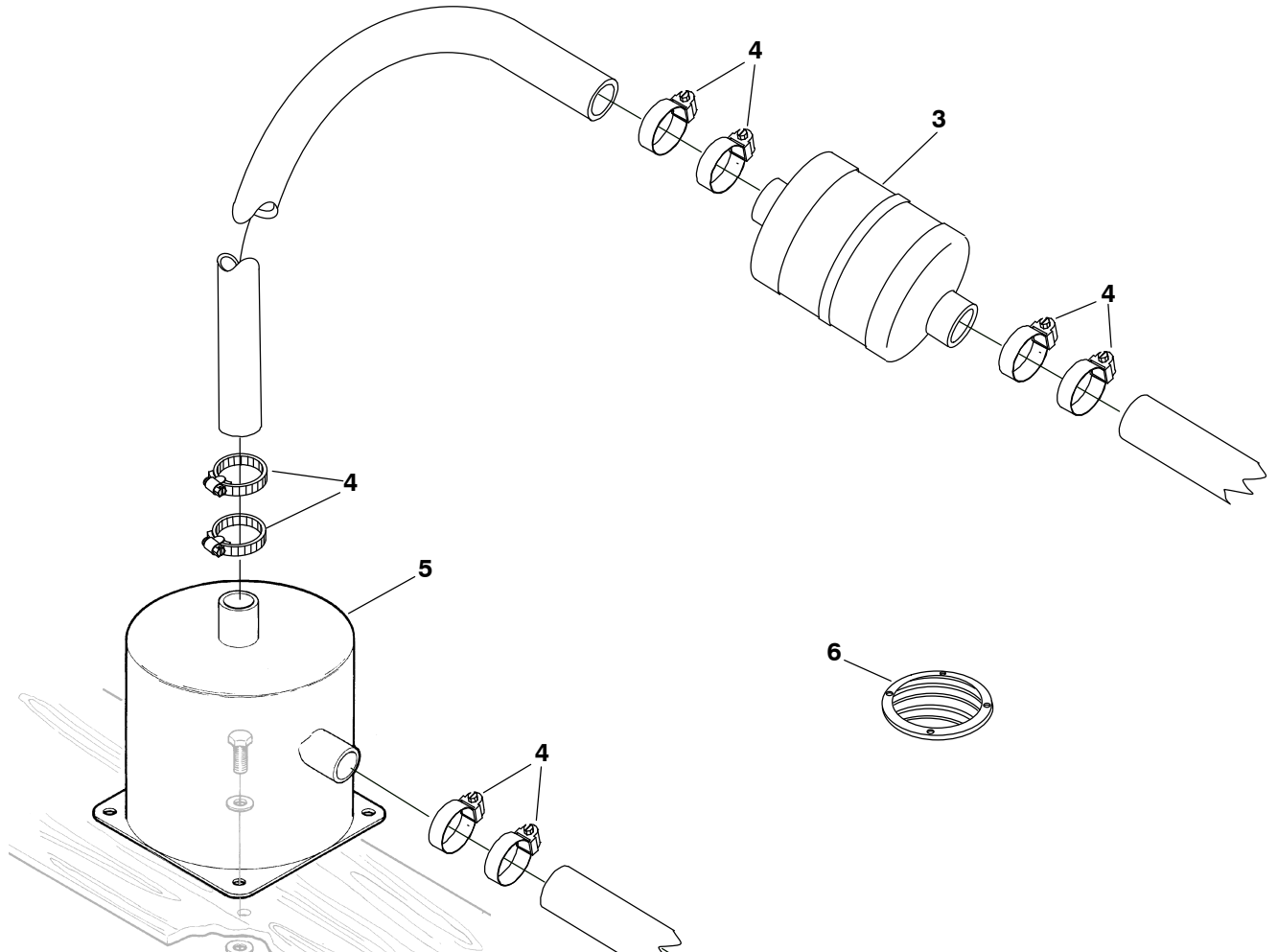
Muffler/Water Separator



REF NO.	PART NO.	QTY USED	PART DESCRIPTION	REF NO.	PART NO.	QTY USED	PART DESCRIPTION
1	155-3217	1	Kit, Muffler/Separator (Includes Parts Marked *)	5	155-1002	1	*+Strainer, Water Pickup
2	155-2030	1	Kit, Muffler (Includes Parts Marked +)	6	155-3218	1	*•Separator, Water (2")
3	155-2029	1	*+Muffler	7	503-1139	4	*•Clamp, Hose (1-1/2")
4	503-1142	8	+ Muffler Kit				
	503-1142	4	• Separator Kit				
	503-1142	10	* Muffler/Separator Kit				

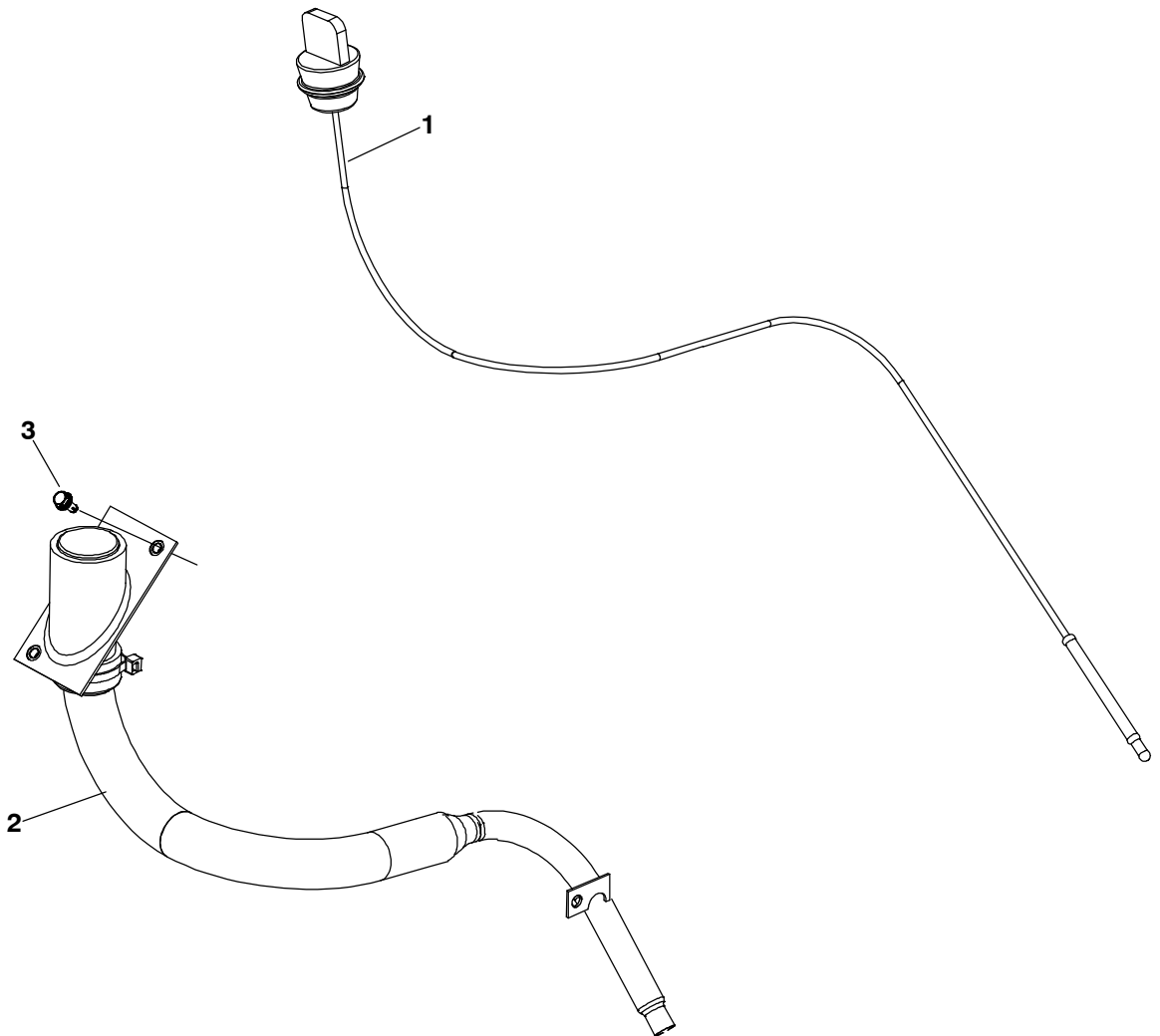
* - Parts Included in Muffler/Separator Kit.
 + - Parts Included in Muffler Kit.
 • - Parts Included in Water Separator Kit.

Muffler/Resonator



REF NO.	PART NO.	QTY USED	PART DESCRIPTION	REF NO.	PART NO.	QTY USED	PART DESCRIPTION
1	155-3147	1	Kit, Muffler (Includes Parts Marked *)	5	155-2029	1	*Muffler
2	155-3239	1	Kit, Resonator (Includes Resonator)	6	155-1002	1	*Strainer, Slotted
3	155-3149	1	*Resonator (2")	* - Parts Included in Marine Muffler Kit.			
4	503-1142	12	*Clamp, Hose				

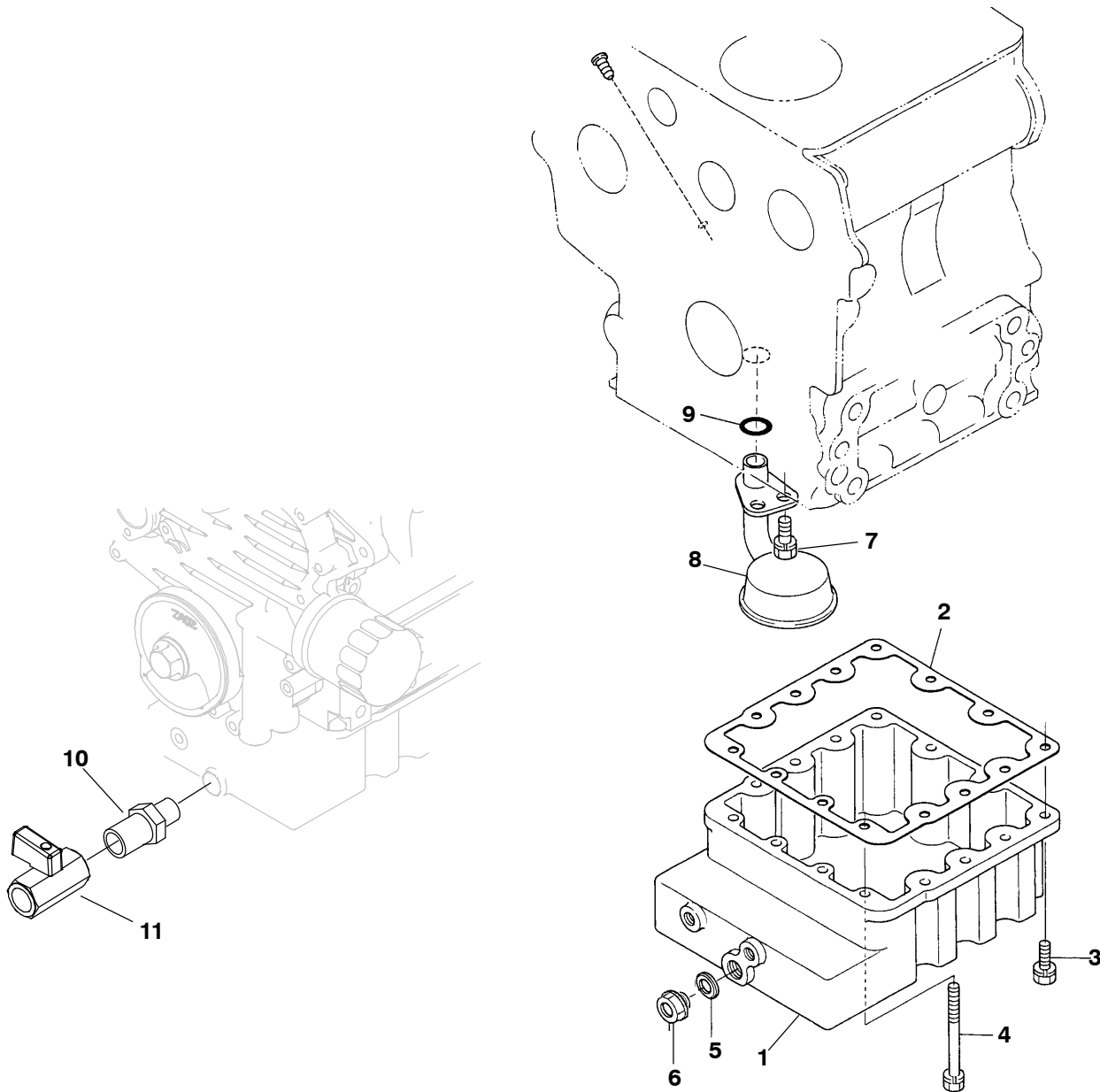
Oil Fill Tube



REF NO.	PART NO.	QTY USED	PART DESCRIPTION
1	123-2236	1	Indicator, Oil
2	123-2345	1	Tube, Oil
3	800-6395-01	2	Screw, Hex Head Sems (M6 x 1 x 16mm)

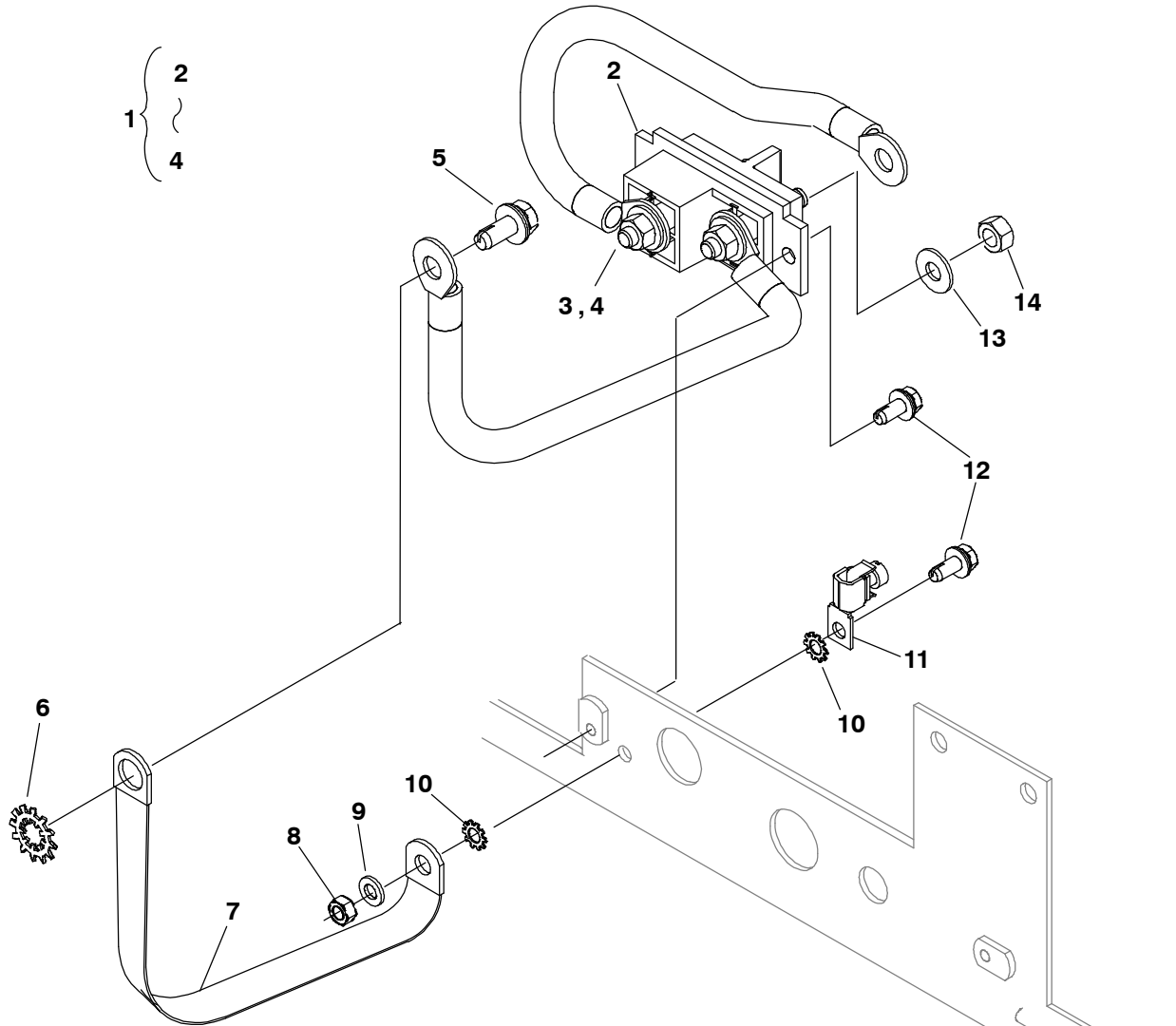
* - All parts included in Assembly.

Oil Pan



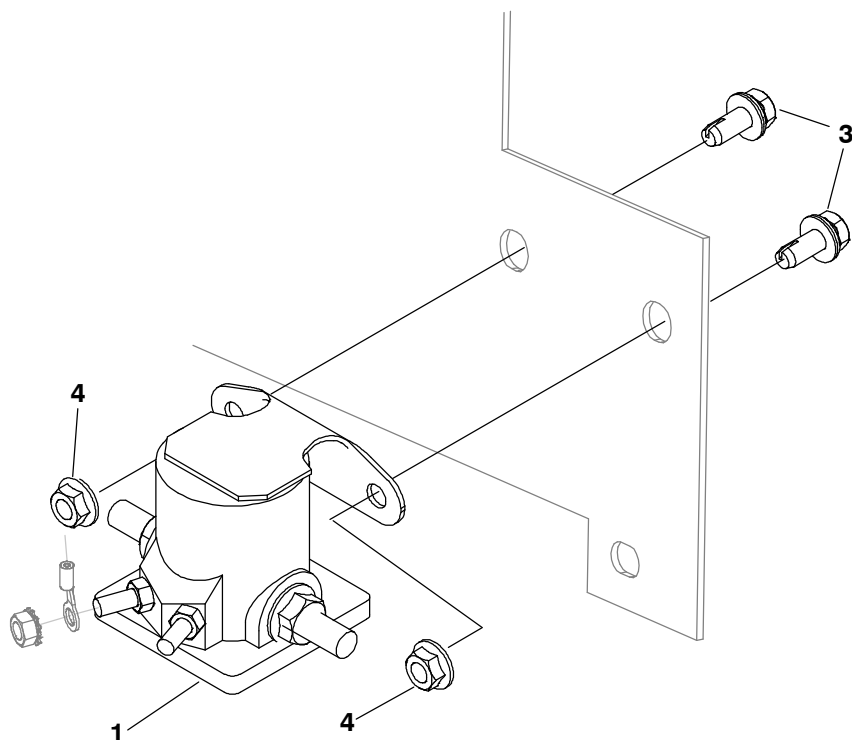
REF NO.	PART NO.	QTY USED	PART DESCRIPTION	REF NO.	PART NO.	QTY USED	PART DESCRIPTION
1	184-0047	1	Pan, Oil	7	185-6956	1	Bolt
2	184-0039	1	Gasket, Oil Pan	8	184-0048	1	Pickup, Oil
3	185-2389	10	Bolt	9	185-7421	1	O'Ring
4	184-0011	4	Bolt	10	102-1485	1	Adapter, Oil Drain
5	185-2343	1	Gasket	11	504-0206	1	Valve, Ball
6	517-0386	1	Plug				

Battery Harness



REF NO.	PART NO.	QTY USED	PART DESCRIPTION	REF NO.	PART NO.	QTY USED	PART DESCRIPTION
1	338-3987	1	Harness, Battery (Includes Terminal Block, 2 Washers, 2 Nuts, and Cables)	8	860-2007	1	Nut, Hex (M6)
2	332-3408	1	Block, Terminal	9	526-2081	1	Washer, Flat
3	526-0054	2	Washer, Flat (5/16")	10	853-0013	2	Washer, Lock ET
4	871-0025	2	Nut, Hex (.313-18)	11	332-0142	1	Lug, Solderless
5	815-0586	1	Screw, Hex Head Cap (M10 x 1.25 x 16mm)	12	800-6395-01	3	Screw, Hex Head Sems (M6 x 1 x 16mm)
6	856-0012	1	Washer, Lock ET	13	526-0054	2	Washer, Flat (5/16")
7	337-2785	1	Strap, Bond	14	871-0025	2	Nut, Hex Brass (5/16-18)

Relay (Isolated Ground)

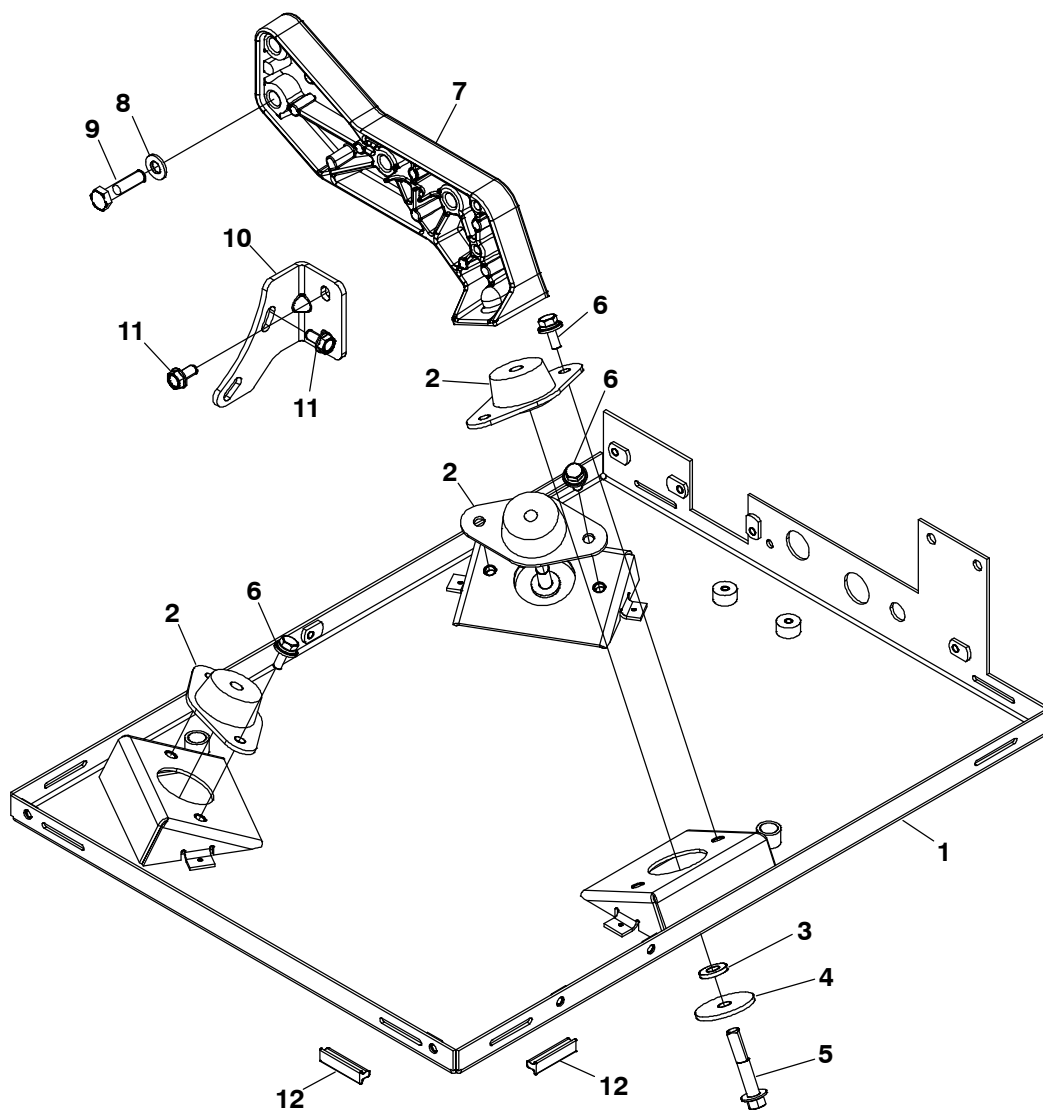


REF NO.	PART NO.	QTY USED	PART DESCRIPTION
	300-5464	1	Kit, Isolated Ground (Includes Parts Listed Above and Water Temperature Sender Listed on Cylinder Head Page, and Oil Pressure Sender [with Hardware] Listed on Cylinder Block Page)
1	307-1617	1	◆ Relay MC
2	338-3675	1	Harness, Iso Gnd (Not shown)
3	800-6395-01	2	Screw, Hex Head Sems (M6 x 16)
4	870-2065-02	2	Nut, Hex Flange (M6)

⚠ WARNING ◆ MC – Are MARINE CRITICAL and must comply with boating safety ignition protection, back-fire, fire resistance, exhaust system integrity, or other requirements established by regulatory agencies,

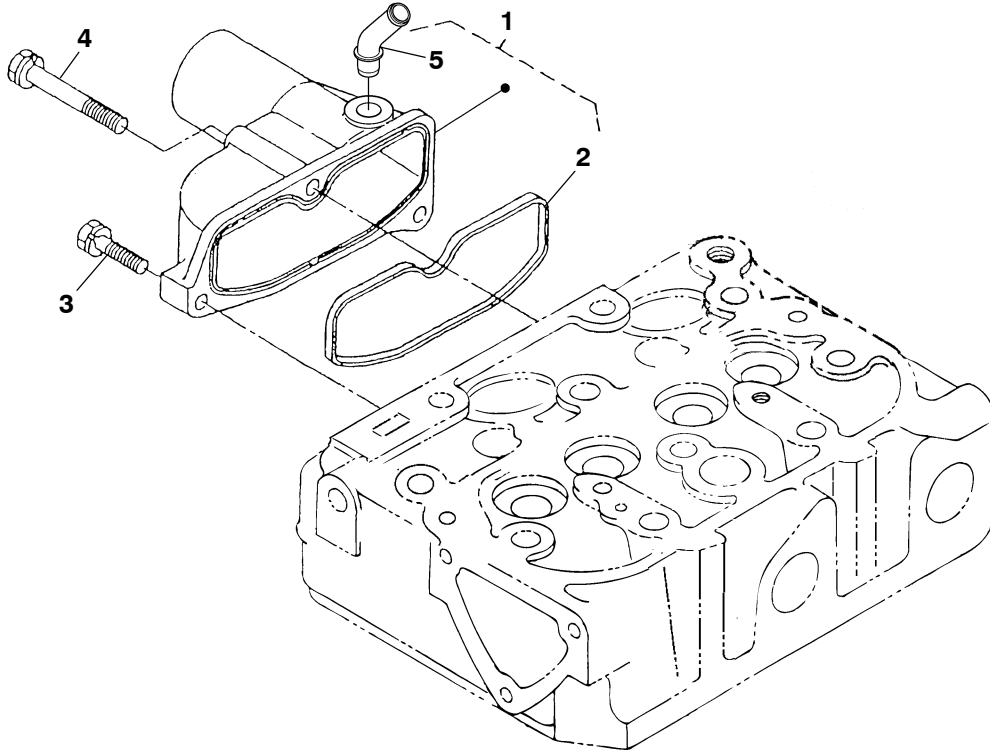
such as US Coast Guard, ABYU, and ISO. When MARINE CRITICAL parts are replaced for any reason, use Onan parts that are identified with the part numbers in this book.

Drip Pan



REF NO.	PART NO.	QTY USED	PART DESCRIPTION	REF NO.	PART NO.	QTY USED	PART DESCRIPTION
1	403-4541-02	1	Pan, Drip	7	403-4605	1	Bracket, Engine Mount
2	402-0728-01	3	Isolator, Vibration	8	526-2120	3	Washer, Flat (M10)
3	526-0030	3	Washer, Flat (3/8")	9	800-3006	3	Screw, Hex Head Cap (M10 x 1.25 x 40mm)
4	526-0324	3	Washer, Flat (3/8")	10	403-4635-04	1	Bracket, Engine Generator
5	815-0842-09	3	Screw, Hex Head Thread Form (M10 x 1.5)	11	815-0829-04	4	Screw, Hex Head Thread Form (M8 x .25 x 18mm)
6	821-6003-01	6	Screw, Hex Head Sems (M8 x 1.25 x 16mm)	12	405-6776	8	Seal, Enclosure

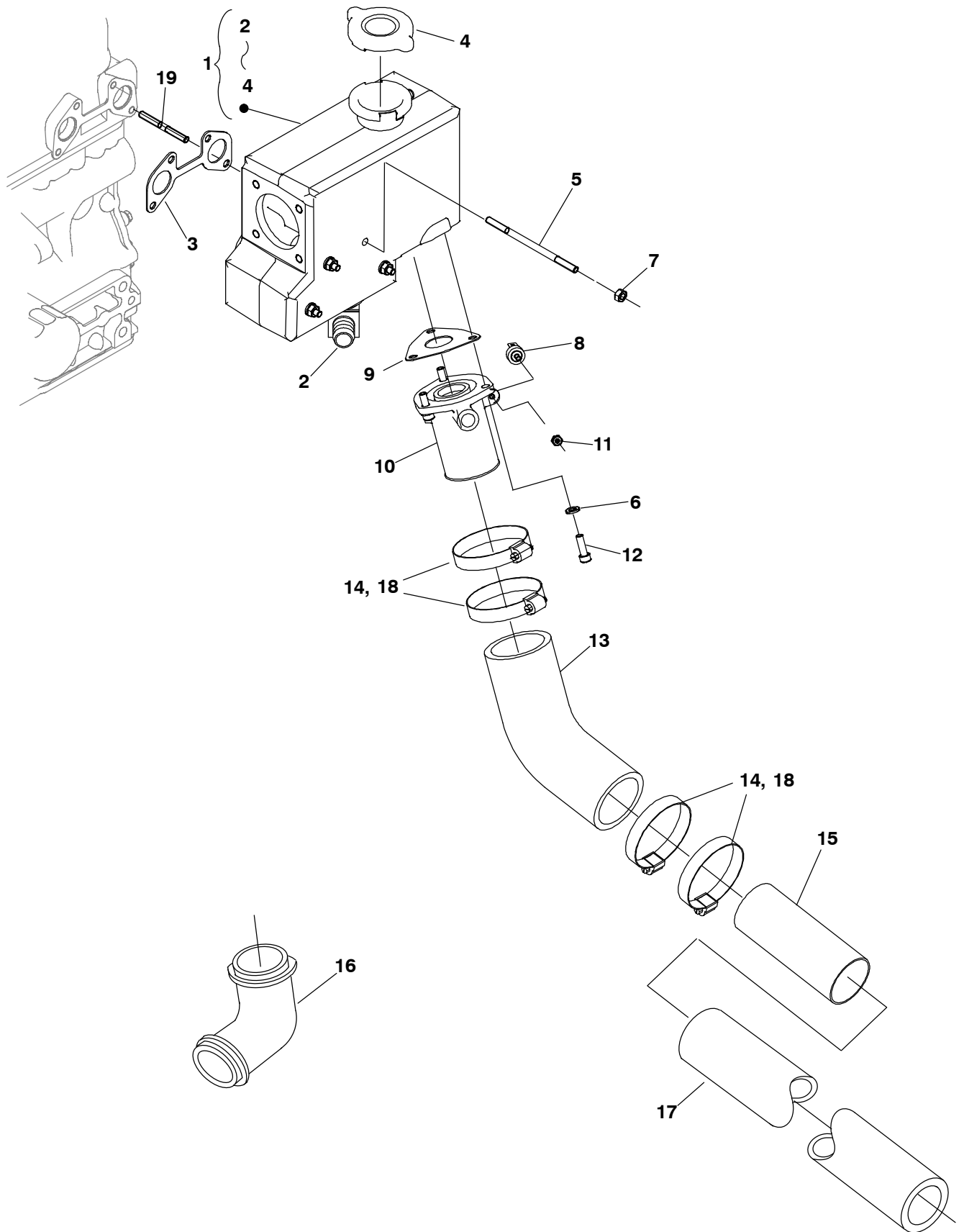
Inlet Manifold



REF NO.	PART NO.	QTY USED	PART DESCRIPTION	REF NO.	PART NO.	QTY USED	PART DESCRIPTION
1			Manifold Assy, Inlet (Includes Gasket)	3			Bolt
	154-3205	1	Spec A-B		185-2389	2	Spec A-B
	181-9244	1	Begin Spec C		181-9001	2	Spec C-D
2			Gasket, Inlet Manifold		A045Y540	2	Spec E
	185-5335	1	Spec A-B	4	185-5833	1	Bolt
	181-9048	1	Begin Spec C	5			Tube, Breather
					123-2300	1	Spec A-B
					181-9256	1	Begin Spec C

”Intentionally Left Blank”

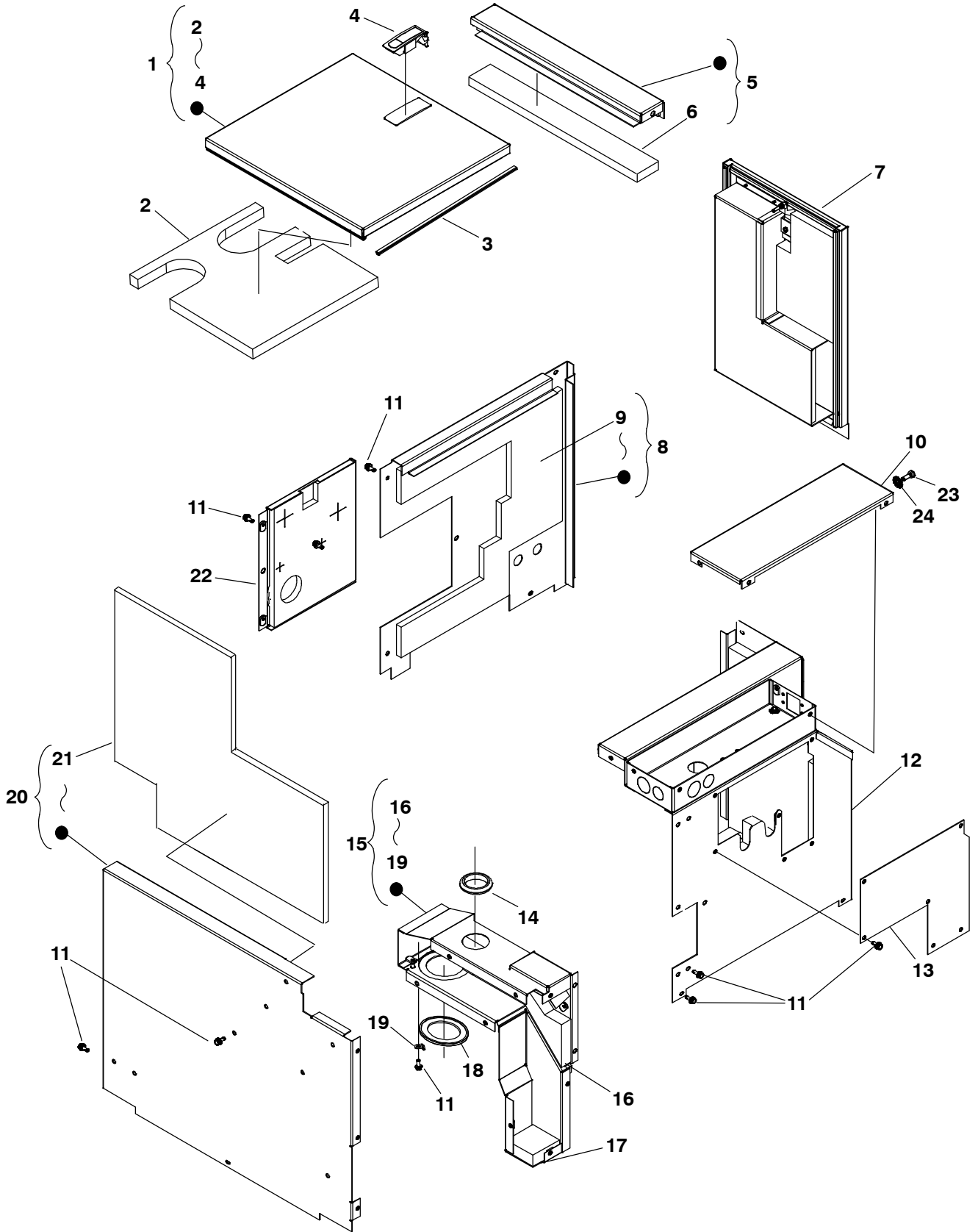
Muffler



Muffler

REF NO.	PART NO.	QTY USED	PART DESCRIPTION	REF NO.	PART NO.	QTY USED	PART DESCRIPTION
	541-0599	1	Kit, Exhaust (Part Included Marked *)	12	800-3017-04	3	Screw, Hex, Head (M6 x 1 x 20mm)
1	154-3073-01	1	◆ Manifold Assy, Exhaust (Includes Filler Neck and Elbow) MC	13	503-2177	1	Hose, Exhaust
2	502-1338	1	Elbow	14	503-1142	4	Clamp, Hose
3	185-6851	1	◆ Gasket, Exhaust Manifold MC	15	155-4065	1	Tube, Exhaust
4	130-3721	1	Cap, Radiator	16	155-2033	1	Elbow, 90° Exhaust (2")
5	520-1021	4	◆ Stud MC	17	503-1353	1	Hose, Exhaust (2" x 10')
6	526-0399-58	3	◆ Washer, Flat (M6) MC	18	503-2823	4	Clamp, Hose (Cover)
7	870-2065-02	4	◆ Nut, Hex (M6 x 1) MC	19	185-5829	4	Stud
8	309-0597-01	1	◆ Switch, Exhaust Temperature MC	⚠WARNING ◆ MC – Are MARINE CRITICAL and must comply with boating safety ignition protection, back-fire, fire resistance, exhaust system integrity, or other requirements established by regulatory agencies, such as US Coast Guard, ABYU, and ISO. When MARINE CRITICAL parts are replaced for any reason , use Onan parts that are identified with the part numbers in this book.			
9			◆ Gasket, Exhaust MC				
	155-3061	1	Spec A				
	155-3720	1	Begin Spec B				
10	154-3163	1	◆ Mixer, Exhaust MC				
11	870-0221-01	1	◆ Nut, Hex (#8-32) MC				

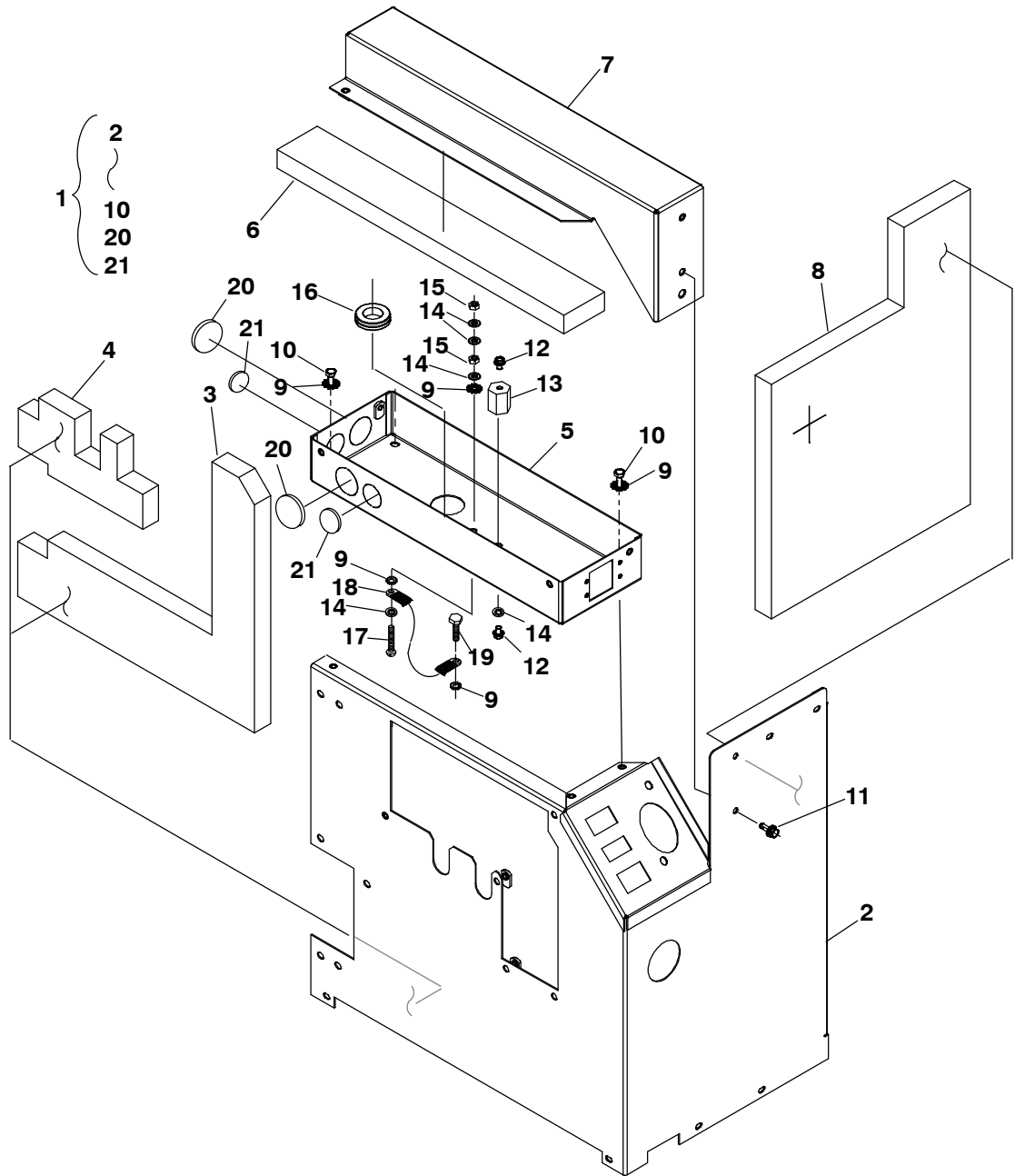
Enclosure



Enclosure

REF NO.	PART NO.	QTY USED	PART DESCRIPTION	REF NO.	PART NO.	QTY USED	PART DESCRIPTION
1	405-9939	1	Cover, Enclosure (Includes Insulation, Seal, and Latch)	13	405-9936-03	1	Cover, Control Panel Access
2	405-6751	1	Insulation	14	508-0051	1	Grommet
3	405-6693	1	Seal (5')	15	404-0011	1	Duct, Air Inlet (Includes Parts Marked *)
4	405-5884	1	Latch	16	405-6759	1	*Insulation
5	405-9940	1	Support, Top (Includes Insulation)	17	405-6755	2	*Insulation
6	405-6775	1	Insulation	18	509-0359	1	*Seal, Brush
7	-		Panel, Service (See Service/ Exhaust Panel Page for Components)	19	405-6769-02	3	*Retainer, Seal
8	405-9941	1	Panel, Side (With Service Door) (Includes Insulation)	20	405-9935	1	Panel, Side (Includes Insulation)
9	405-6766	1	Insulation	21	405-6752	1	Insulation
10	405-9934-03	1	Cover, Control Box	22	-	1	Cover, Side Panel Access (See Service / Exhaust Panel Page for Components)
11	800-6395-01	37	*Screw, Hex Head Sems (M6 x 1 x 16mm)	23	800-6033	4	Screw, Hex Head Cap (M6 x 1.0 x 16mm)
12	-		Panel, Control (See Control Box Begin Spec B Page for Components)	24	856-0006	4	Washer, ETIT Locking (1/4")

Control Box



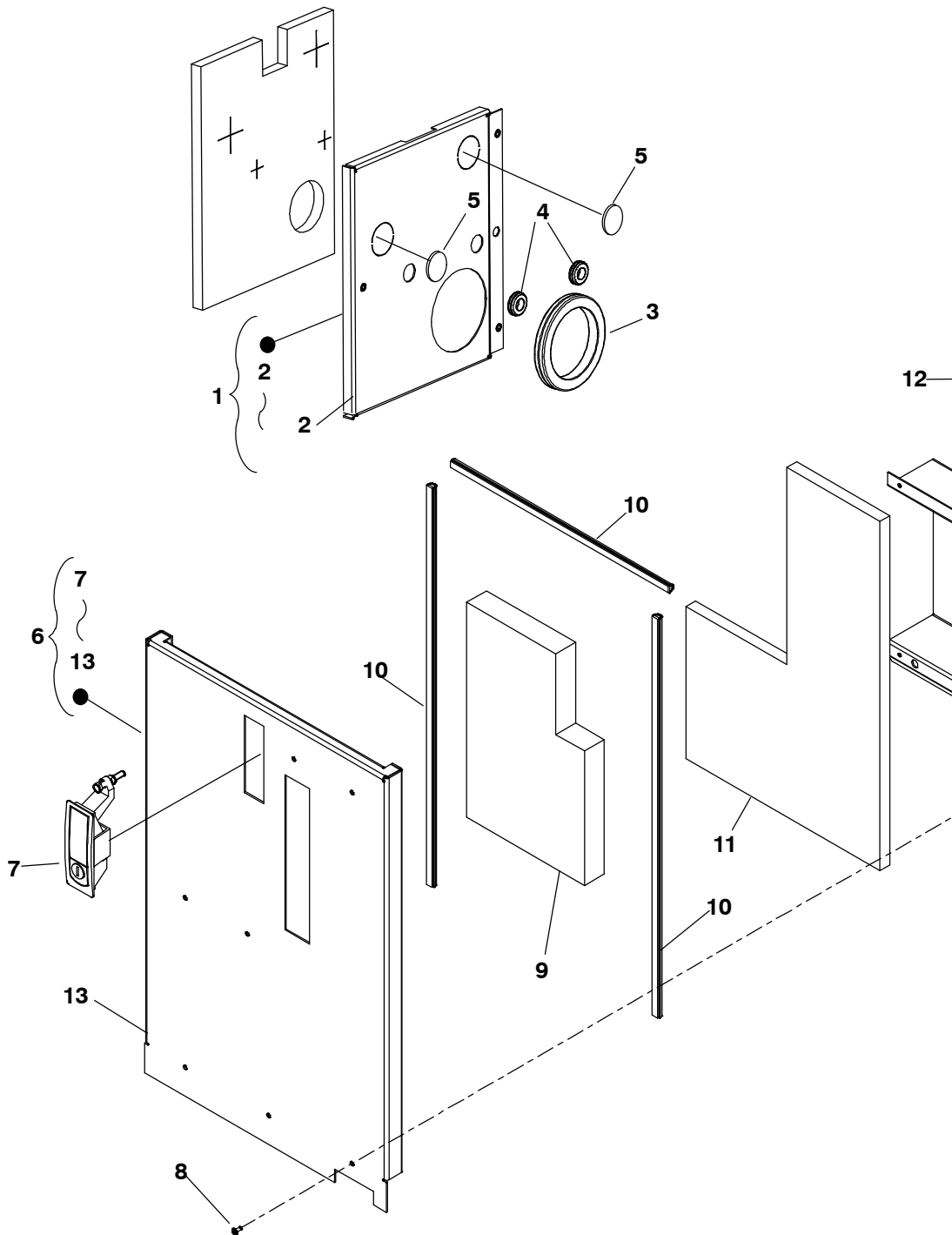
Control Box

REF NO.	PART NO.	QTY USED	PART DESCRIPTION	REF NO.	PART NO.	QTY USED	PART DESCRIPTION
1		1	Panel Assy, Control (Includes Parts Marked *)	17	810-0155	1	Screw, Round Head (.25-20UNC x 1.25")
2	405-9942-03	1	*Panel, Control)	18	337-2953	1	◆Strap, BondMC
3	405-8542	1	*Insulation	19	800-2033	1	Screw, Hex Head Cap (M6 x 1 x 16m)
4	405-8541	1	*Insulation	20	517-0138-05	2	Plug, Hole
5	319-6712-03	1	*Box, Control	21	517-0138-02	2	Plug, Hole
6	405-6750	1	*Insulation				
7	405-9943-03	1	Cover, Enclosure				
8	405-6749	1	Insulation				
9	856-0006	7	Washer, EIT Lock (1/4")				
10	800-6033	4	*Screw, Hex Head Sems (M6 x 1 x 16mm)				
11	800-6395-01	2	*Screw, Hex Head Sems Stainless (M6 x 1 x 16mm)				
12	821-0009	2	Screw, Lock Head (1/4-20 x 5/16")				
13	332-2370	1	Standoff, Insulator				
14	526-0052	5	Washer, Flat (1/4")				
15	871-0016	2	Nut, Hex (.25-20UNC)				
16	508-0117	1	Grommet (1")				

⚠WARNING ◆MC – Are MARINE CRITICAL and must comply with boating safety ignition protection, back-fire, fire resistance, exhaust system integrity, or other requirements established by regulatory agencies, such as US Coast Guard, ABYO, and ISO. When MARINE CRITICAL parts are replaced for any reason , use Onan parts that are identified with the part numbers in this book.

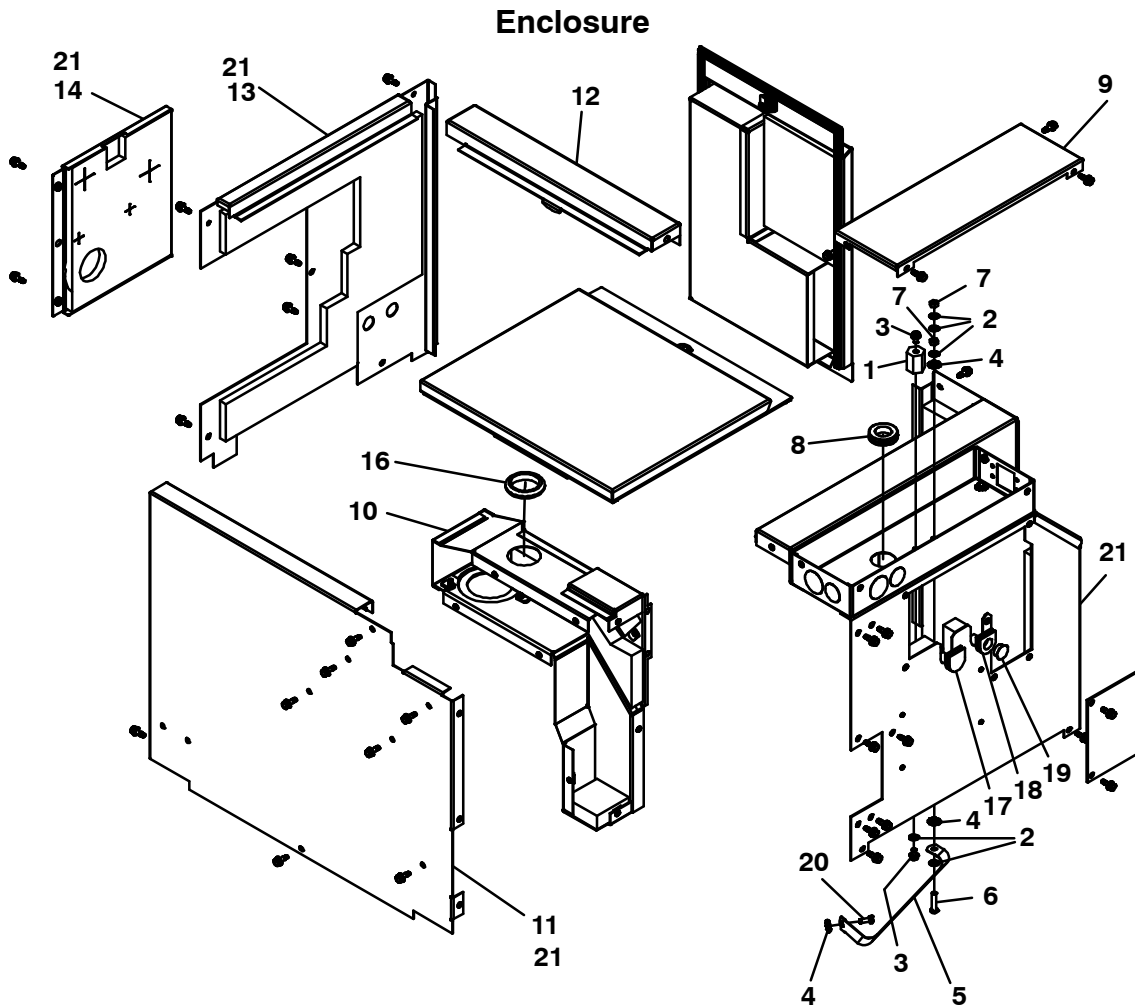
* – Parts Included in Control Cover.

Service/Exhaust Panel



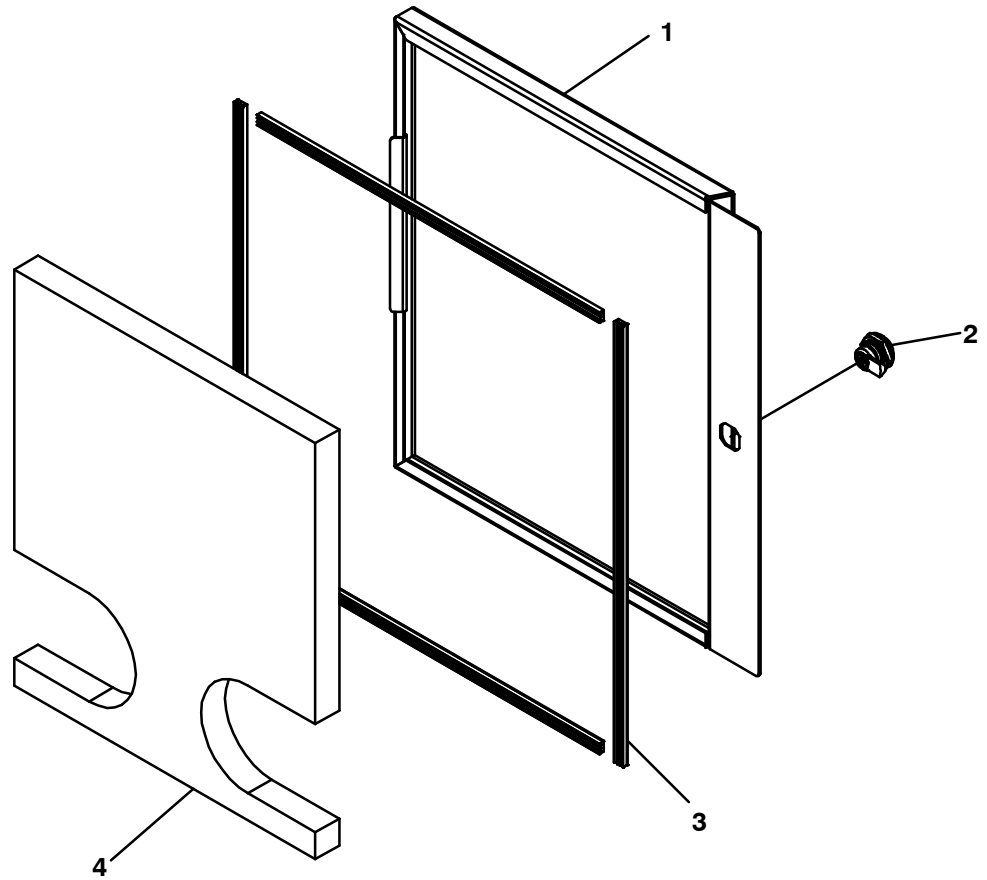
REF NO.	PART NO.	QTY USED	PART DESCRIPTION	REF NO.	PART NO.	QTY USED	PART DESCRIPTION
1	405-9938	1	Cover, Side Panel Access (Includes Grommets and Insulation)	8	818-0194	7	*Rivet, Pop
2	405-9954-03	1	Cover, Enclosure	9	405-6757	1	*Insulation
3	508-1095	1	Grommet, Rubber	10	405-6693	1	*Seal, Enclosure (3.8ft)
4	508-0021	2	Grommet	11	405-6758	1	*Insulation
5	517-0138-05	2	Plug, Hole	12	405-9946-02	1	*Duct, Exhaust
6	405-6718	1	Panel, Service (Includes Parts Marked *)	13	405-9945-03	1	*Cover, Enclosure
7	406-0961	1	*Latch, Enclosure				

* - Parts Included in Service Panel.



REF NO.	PART NO.	QTY USED	PART DESCRIPTION	REF NO.	PART NO.	QTY USED	PART DESCRIPTION
1	332-2370	1	Standoff, Insulator	14	405-9938	1	Cover, Enclosure
2	526-0052	5	Washer, Flat	15	405-9936-03	1	Cover, Access
3	821-0009	2	Screw, Lock 1/4-20 x 3/8	16	508-0051	1	Grommet
4	856-0006	3	Washer, Lock (1/4)	17	508-1105-01	1	Grommet, Remote
5	337-2953	1	Strap, Bond	18	508-1105	1	Grommet, Remote
6	810-0155	1	Screw, Rnd Hd (.25-20UNC x 1.25)	19	517-0136	1	Plug, Hole
7	871-0016	2	Nut, Hex (.25-20UNC)	20	800-2033	1	Screw, HHC (M6 x 1 x 16)
8	508-0117	1	Grommet (1 inch)	21	A030B088	37	Screw, Hex HD (M6 x 1 x 16)
9	405-9934-03	1	Cover, Enclosure				
10	404-0011	1	Duct, Air (Inlet)				
11	405-9935	1	Cover, Enclosure				
12	A030C228	1	Rail, Enclosure				
13	405-9941	1	Cover, Enclosure				

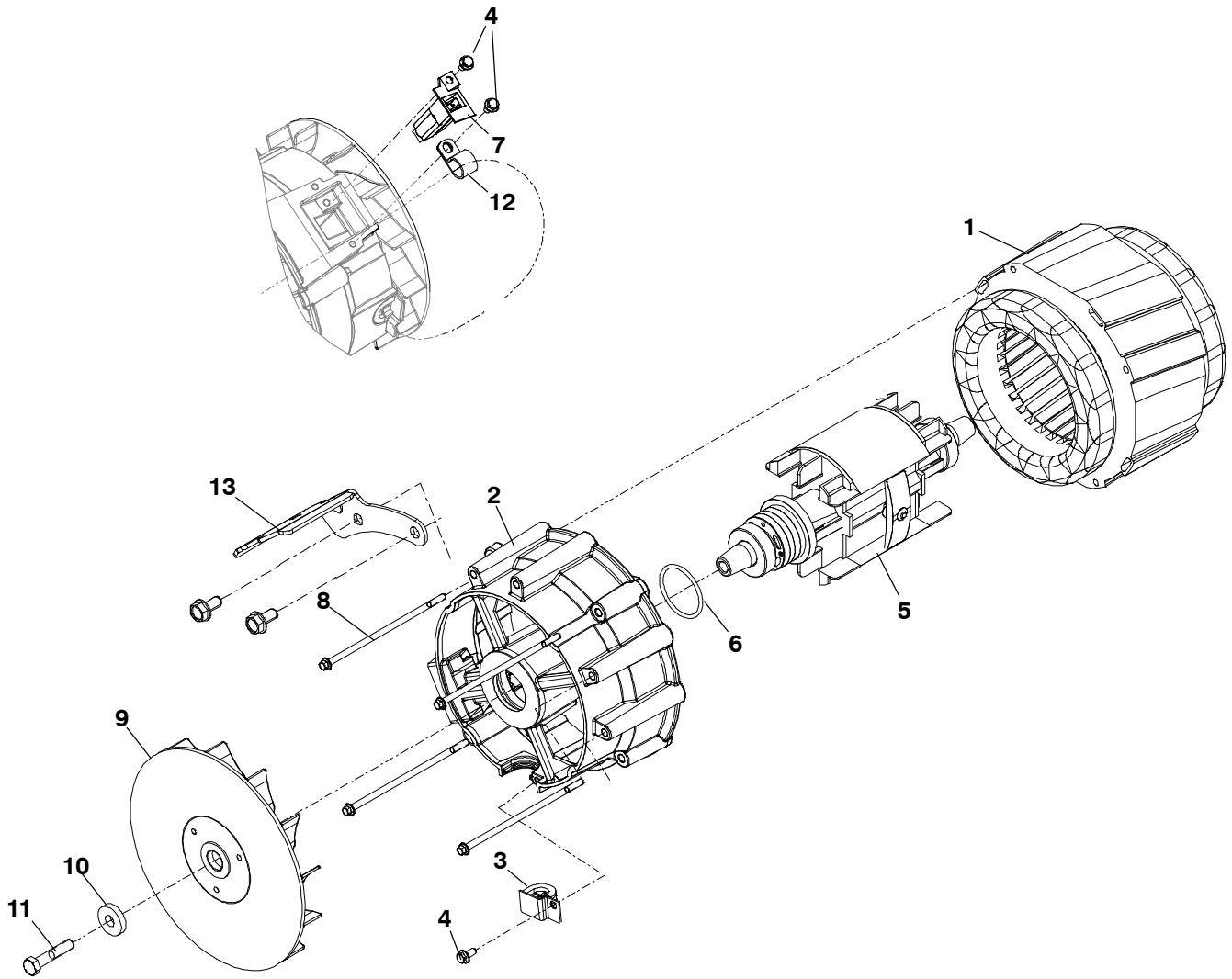
Cover-Enclosure



REF NO.	PART NO.	QTY USED	PART DESCRIPTION	REF NO.	PART NO.	QTY USED	PART DESCRIPTION
1	A030C166	1	Cover, Enclosure	3	895-0395	5	Seal, Weather
2	A030B824	1	Latch	4	A030C414	1	Insulation, Cover

"Intentionally Left Blank"

Generator Spec A-E

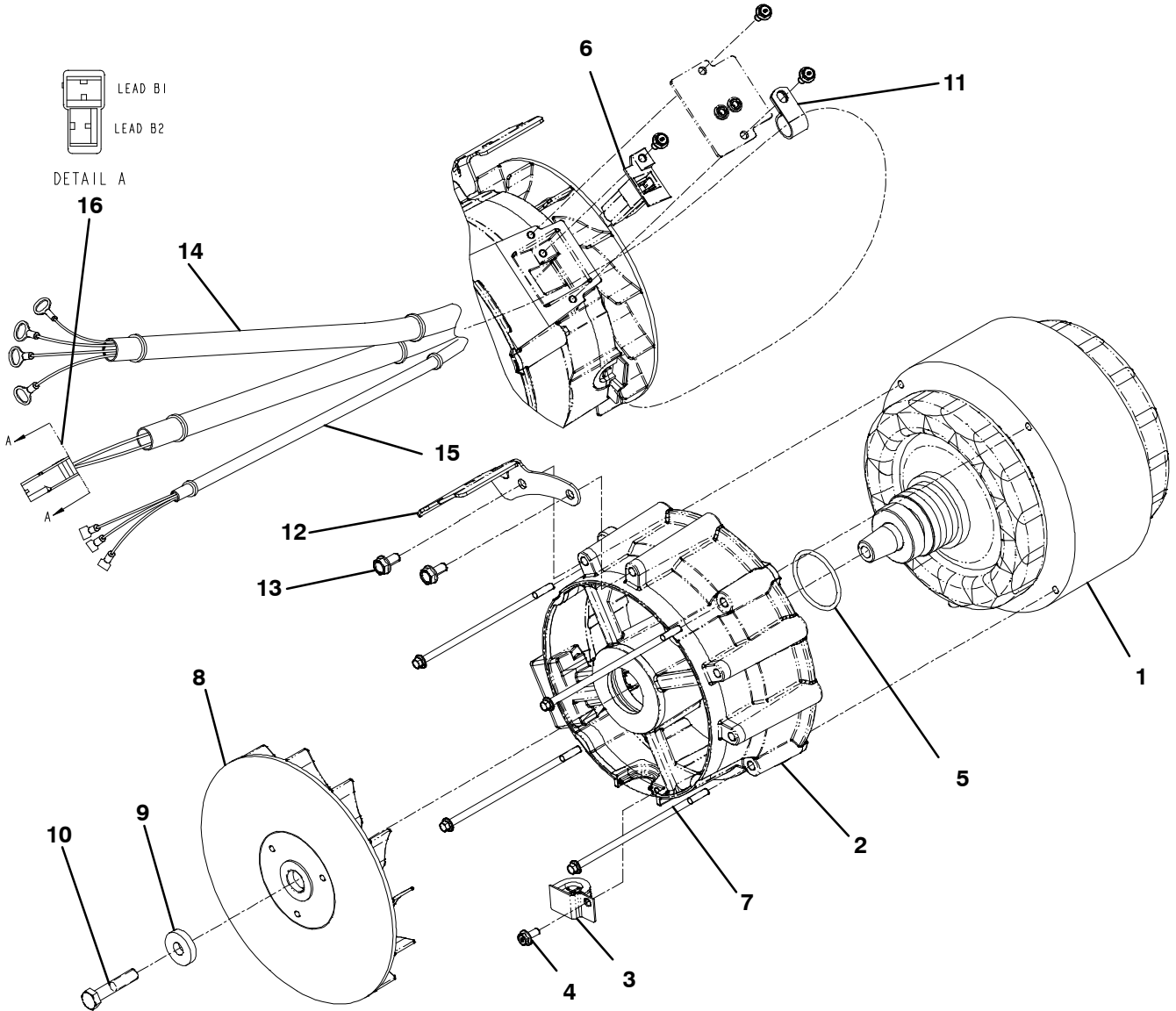


Generator Spec A-E

REF NO.	PART NO.	QTY USED	PART DESCRIPTION	REF NO.	PART NO.	QTY USED	PART DESCRIPTION
1	220-4610-05	1	◆ Assy, Stator Wound (Includes Leads T1-T4, Q1, Q50, Q60 and B1-B2) MC	11	800-2091	1	Screw, Hex Head Cap (M10 x 1.5 x 50mm)
2	211-0521	1	◆ Endbell MC	12	332-1356	1	Clamp, Loop (3/4")
3	508-1265	1	Grommet	13	403-6463-02	1	Bracket, Generator
4	815-0753	3	◆ Screw, Locking Flange MC	⚠WARNING ◆ MC – Are MARINE CRITICAL and must comply with boating safety ignition protection, back-fire, fire resistance, exhaust system integrity, or other requirements established by regulatory agencies, such as US Coast Guard, ABYU, and ISO. When MARINE CRITICAL parts are replaced for any reason, use Onan parts that are identified with the part numbers in this book.			
5	201-3607-03	1	◆ Assy, Rotor (Includes Excitor Hub Drive and Rotor Coil) MC				
6	509-0420	1	O'Ring				
7	212-1303	1	◆ Block, Brush (Includes Brushes and Springs) MC				
8	815-0927-01	4	Bolt, Stator Mounting				
9	205-0300	1	Fan, Generator				
10	526-0017	1	Washer, Flat				

Note- Rotor and Stator parts for Specs A-E are now only available to order as combined generator part A053P424.

Generator Begin Spec F



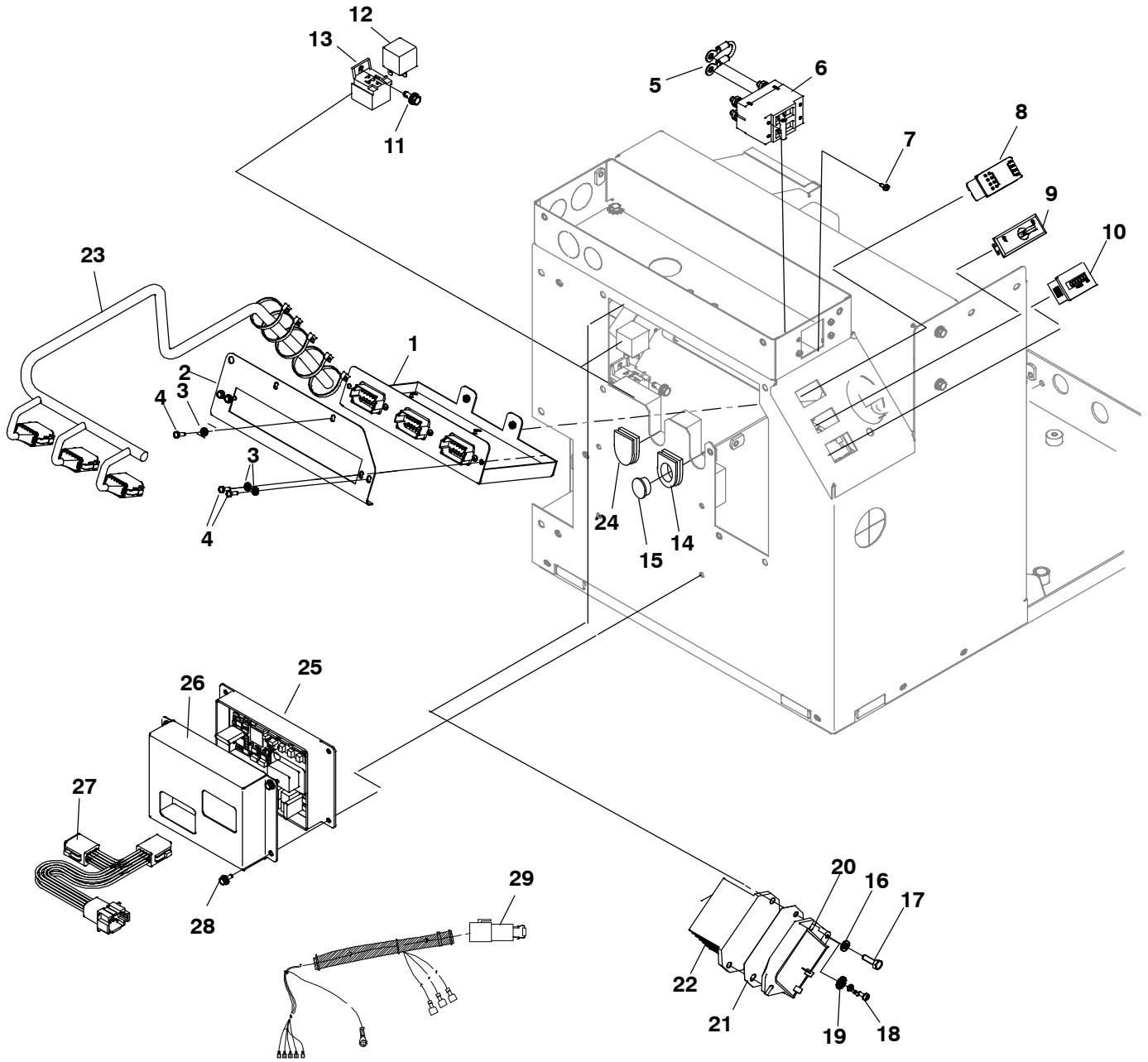
Generator Begin Spec F

REF NO.	PART NO.	QTY USED	PART DESCRIPTION	REF NO.	PART NO.	QTY USED	PART DESCRIPTION
1	A053P424	1	◆ Generator MC	14	898-1386	2	Sleeve, Insulation
2	A029W995	1	◆ Endbell, Generator MC	15	898-1196-10	1	Sleeve, Convoluted
3	508-1265	1	Grommet	16	332-4285	1	Housing, Terminal
4	815-0753	4	◆ Screw, Locking Flange MC				
5	509-0420	1	O'Ring				
6	212-1303	1	◆ Block, Brush (Includes Brushes and Springs) MC				
7	815-0927-01	4	Bolt, Stator Mounting				
8	205-0300	1	Fan, Generator				
9	526-0017	1	Washer, Flat				
10	800-2091	1	Screw, Hex Head Cap (M10 x 1.5 x 50mm)				
11	332-1356	1	Clamp, Loop (3/4")				
12	403-6463-02	1	Bracket				
13	815-0829-04	2	Screw, Hex Flange Head				

⚠ WARNING ◆ **MC** – Are **MARINE CRITICAL** and must comply with boating safety ignition protection, back-fire, fire resistance, exhaust system integrity, or other requirements established by regulatory agencies, such as US Coast Guard, ABYO, and ISO. When **MARINE CRITICAL** parts are replaced for any reason, use Onan parts that are identified with the part numbers in this book.

"Intentionally Left Blank"

Control

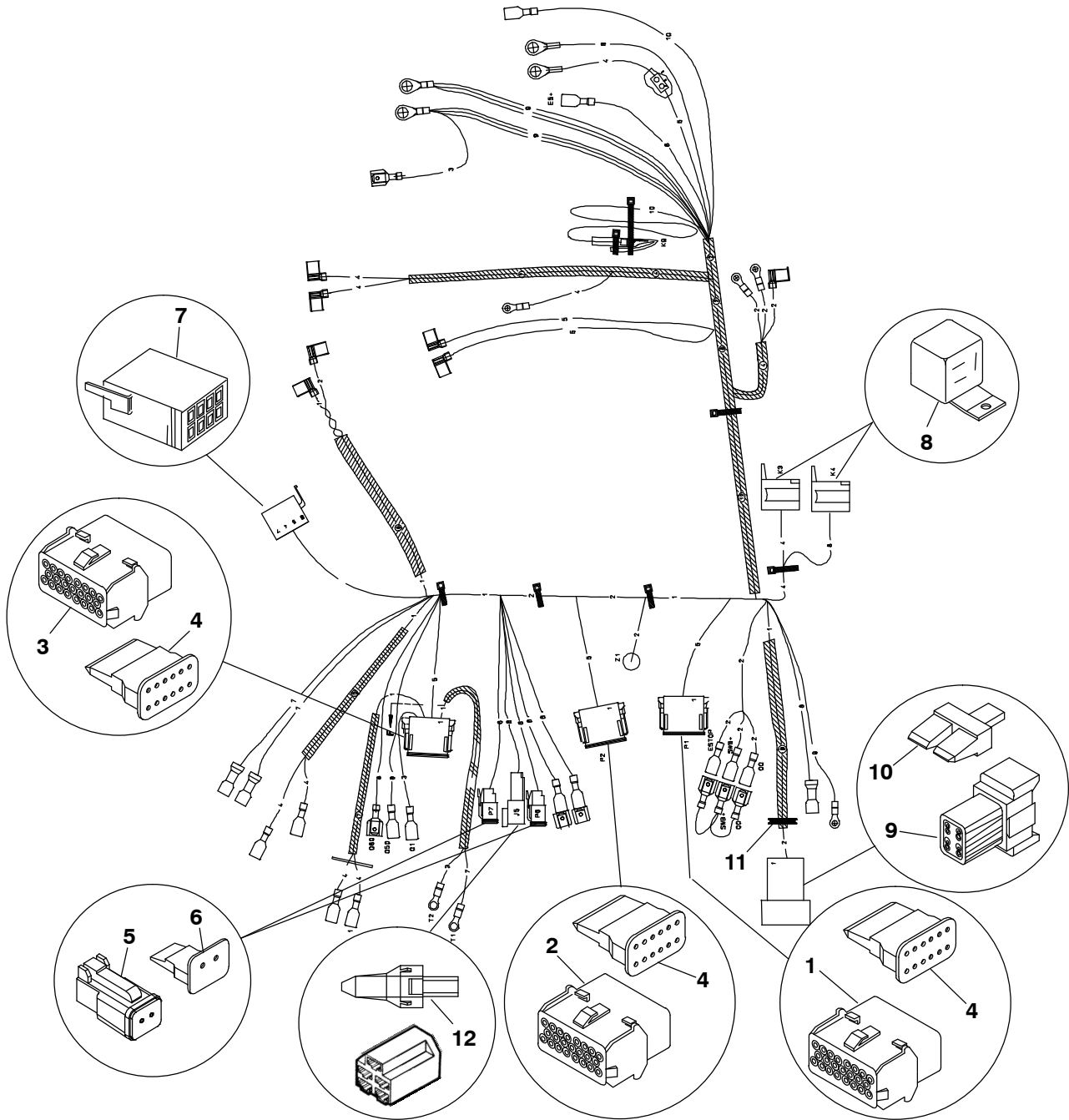


Control

REF NO.	PART NO.	QTY USED	PART DESCRIPTION	REF NO.	PART NO.	QTY USED	PART DESCRIPTION
	541-1195-01	1	Kit, PCB (J1939 NIM)(Includes PCB, Cover, Harness and Screws)	17	815-0974-04	2	Screw, Hex Head Cap (M6 x 20)
	541-1195-02	1	Kit, PCB (Smartcraft NIM) (Includes PCB, Cover, Harness and Screws)	18	815-0792-03	1	Screw, Pan Crescent Head (M4 x 10)
1	300-5966	1	◆Control, PCB MC	19	856-0002	1	Washer, EIT
2	319-4332-03	1	Plate, Control Box	20	305-1006	1	◆Regulator, Voltage MC (12V)
3	526-2050	6	Washer, Flat (M4)	21	363-0205	1	Pad, Heatsink
4	800-3042	6	Screw, Hex Head Machine (M4 x 10)	22	305-0995	1	Heatsink
5	526-2081	1	Lead, Circuit Breaker	23	-	1	◆Harness, Genset (See Control Harness Next Page) MC
6	320-1666-01	1	◆Breaker, Circuit (20A, 2 Pole) (Uses 1/4-28 Nuts for Leads) MC	24	508-1105-01	1	Grommet, Remote
7	815-0550-01	4	Screw, Cross Recessed ET (#6-32 x .375")	25		1	◆PCB (NIM) MC
8	308-1101	1	◆Switch, Rocker (SPDT) (12V) MC		327-1659-01	1	J1939
9	320-2315	1	◆Breaker, Circuit MC		327-1659-02	1	Smartcraft*
10	302-2048	1	◆Hourmeter MC	26	319-5748-03	1	Cover, (NIM)
11	821-6006-01	4	Screw, Hex Head Sems (M6 x 1 x 16mm)	27	338-4491	1	Harness, Accessory
12	307-2767	1	◆Relay, SPDT (12V) MC	28	821-6001-01	4	Screw, Hex Head Sems (M5 x .8 x 10mm)
13	323-1563	AR	Socket, Relay (K3) (Part of Control Harness Listed on Separate Page)	29	338-4441	1	Harness, Control
14	508-1105	1	Grommet (Part of Control Harness Listed on Separate Page)	<div style="border: 1px solid black; padding: 5px;"> ⚠WARNING ◆MC – Are MARINE CRITICAL and must comply with boating safety ignition protection, back-fire, fire resistance, exhaust system integrity, or other requirements established by regulatory agencies, such as US Coast Guard, ABYO, and ISO. When MARINE CRITICAL parts are replaced for any reason , use Onan parts that are identified with the part numbers in this book. </div>			
15	517-0136	1	Plug, Hole				
16	526-2081	3	Washer,Flat				

*SmartCraft is a trademark of the Brunswick Corporation.

Control Harness

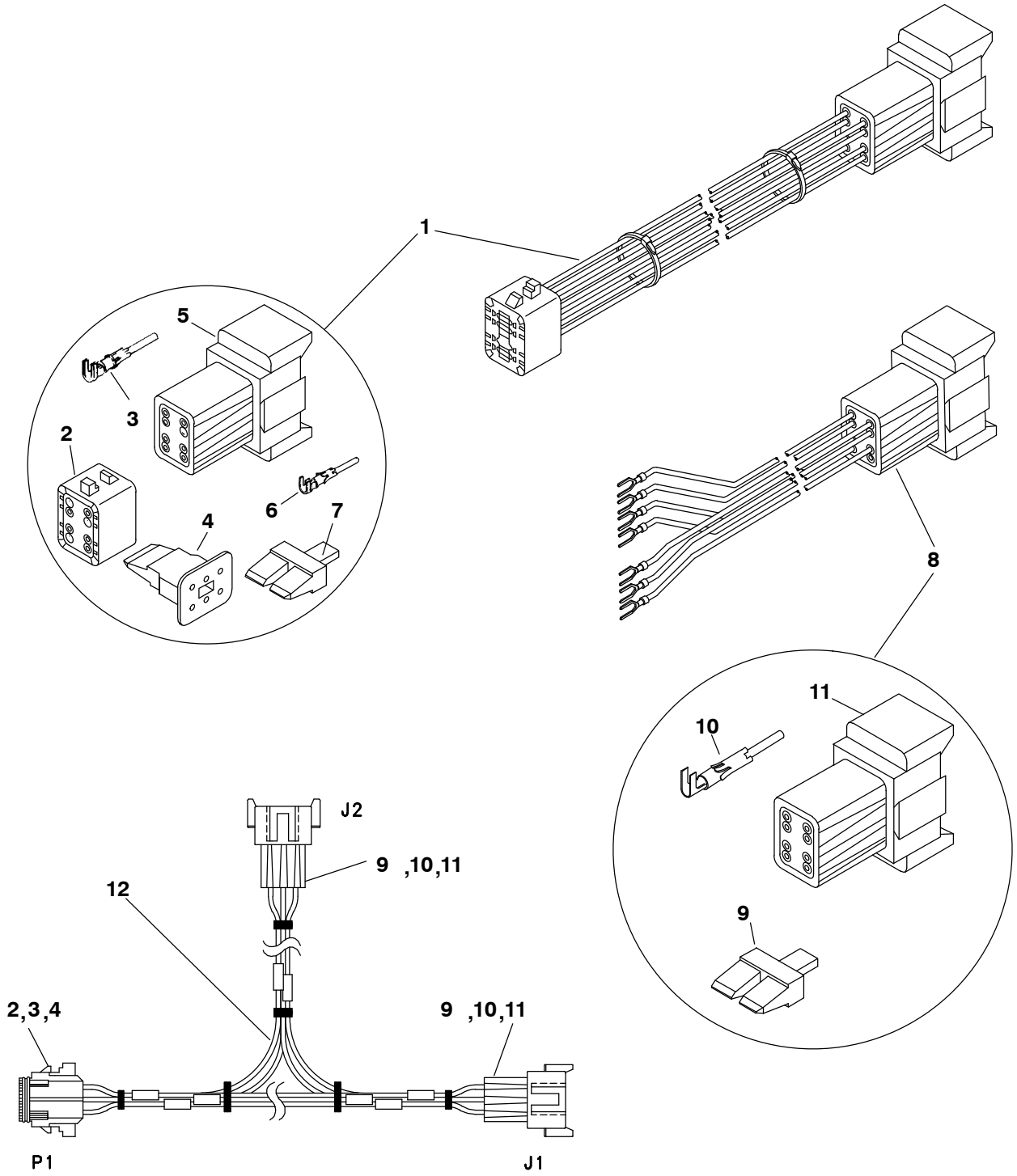


Control Harness

REF NO.	PART NO.	QTY USED	PART DESCRIPTION	REF NO.	PART NO.	QTY USED	PART DESCRIPTION
	338-4625	1	◆ Harness, Control (Includes Cover Brush Block) MC	11	-	1	Grommet (See Control Page for Part Number)
1	323-1582-06	1	Plug, Black (12 Pin) (P1)	12	323-1505	1	Connector, Receptacle (J5)
2	323-1582-07	1	Plug, Gray (12 Pin) (P2)				
3	323-1582-05	1	Plug, Green (12 Pin) (P3)				
4	323-1583	3	Wedge, Plug (12 Pin) (P1, P2, P3)				
5	323-1504	2	Connector, Plug (2 Pin) (P6, P7)				
6	323-1500	2	Wedge (P6, P7)				
7	308-1019	1	Connector, Switch (S4)				
8	-	2	Socket, Relay (K3) (See Control Page for Part Number)				
9	323-1542	1	Connector, Receptacle (8 Pin) (J4)				
10	323-1544	1	Wedge, Receptacle (J4)				

⚠WARNING ◆MC – Are MARINE CRITICAL and must comply with boating safety ignition protection, back-fire, fire resistance, exhaust system integrity, or other requirements established by regulatory agencies, such as US Coast Guard, ABYO, and ISO. When MARINE CRITICAL parts are replaced for any reason , use Onan parts that are identified with the part numbers in this book.

Extension, Junction and Pigtail Harnesses



Extension, Junction and Pigtail Harnesses

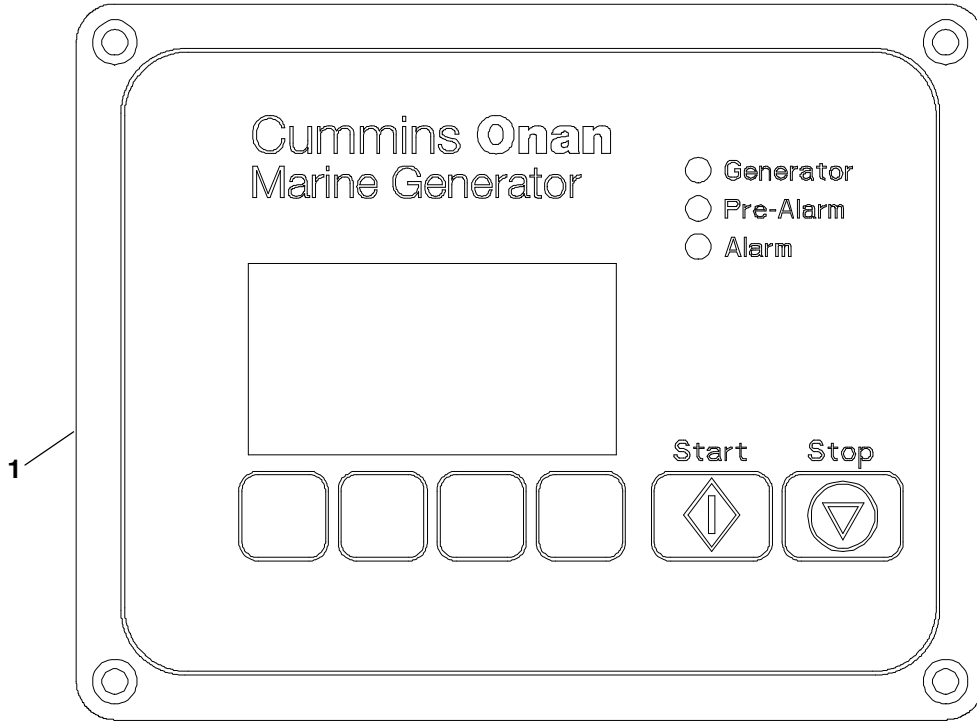
REF NO.	PART NO.	QTY USED	PART DESCRIPTION	REF NO.	PART NO.	QTY USED	PART DESCRIPTION
1			Harness, Extension (Reaches From Control Harness to Remote Panel Harness or Customer Interface Pigtail Harness) (Includes Parts Marked #)	8	338-4017	1	Harness, Pigtail (Customer Interface) (8") (Reaches from Customer Extension Harness to Remote Panel Harness) (Includes Parts Marked +)
	338-3167	1	15 feet (4.5 meters)	9	323-1544	1	°+Wedge, Lock Receptacle (8 Pin)
	338-3168	1	25 feet (7.6 meters)	10	323-1491	AR	°+Terminal, Pin
	338-3169	1	45 feet (13.7 meters)	11	323-1542	1	°+Housing, Receptacle (8 Pin)
	338-3169-01	1	75 feet (22.8 meters)	12	338-4016	1	Harness, "Y" Junction (8" x 4") (Reaches from Extension Harness to two Remote Panel Harnesses) (Includes Parts Marked °)
	338-3169-02	1	100 feet (30.4 meters)				
	338-3169-03	1	150 feet (45.6 meters)				
2	323-1541	1	°#Plug (8 Pin)				
3	323-1492	8	°#Terminal, Socket				
4	323-1543	1	°#Wedge, Plug (8 Pin)				
5	323-1542	1	#Receptacle (8 Pin)				
6	323-1491	8	#Terminal, Pin				
7	323-1544	1	#Wedge, Receptacle (8 Pin)				

- Parts Included in Extension Harness.

+ - Parts Included in Pigtail (Customer Interface) Harness.

° - Parts Included in Junction Harness.

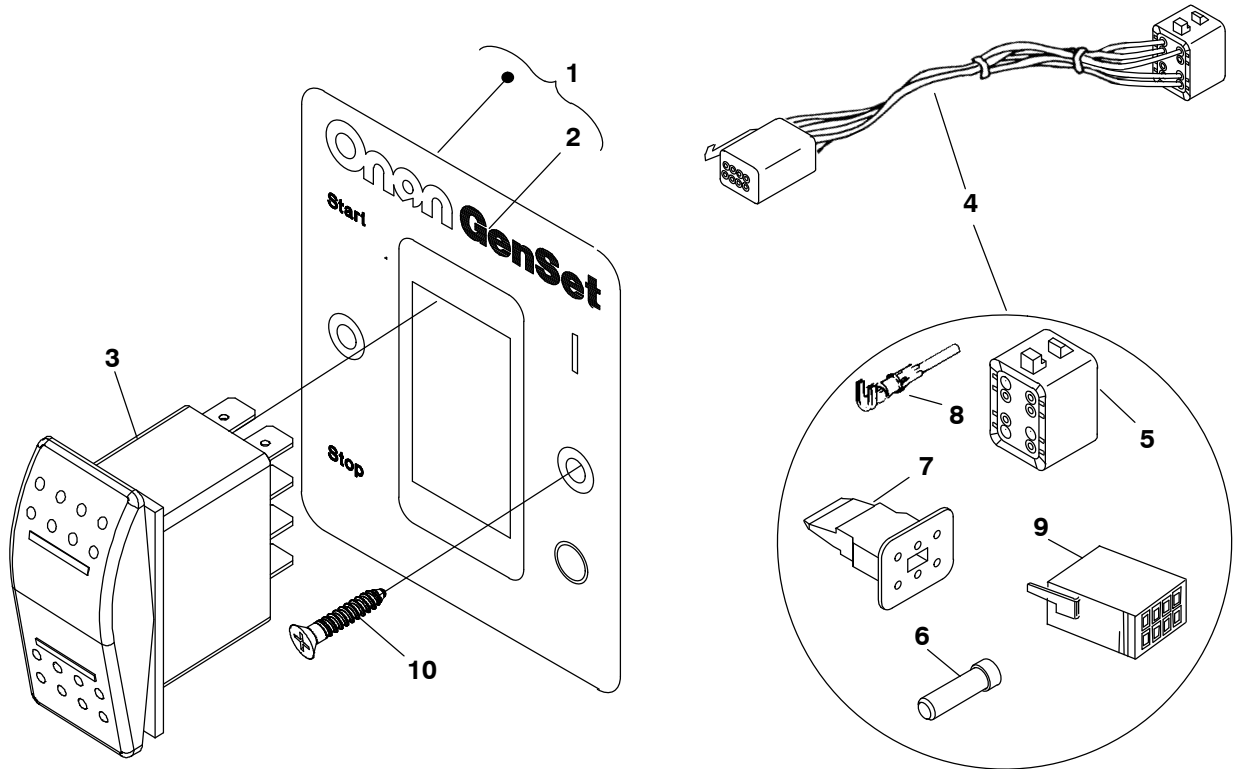
Kit, Control (Display)



REF NO.	PART NO.	QTY USED	PART DESCRIPTION
	541-1130	1	Kit, Remote Panel
1	300-6393	1	Assy, Control (Display)
	98-8081	1	Label, Warning
	814-2152-01	4	Screw, Flat Head Xrec (6-20 x .75")
	814-2155-01	4	Screw, Flat Head Xrec (M3.5 x 9.5mm")
	860-2028	4	Nut, Hex (6-32)

* - Includes Instructions and all parts listed

Remote Control Panel (w/Switch)

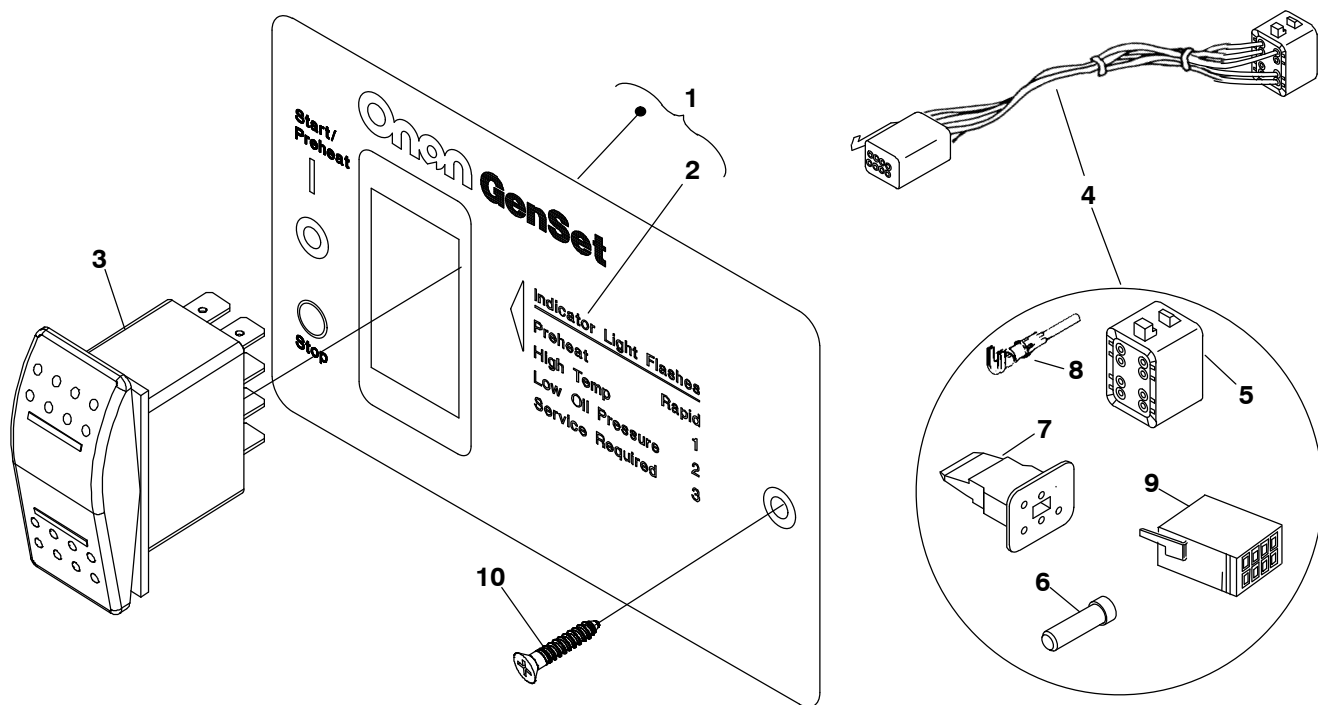


REF NO.	PART NO.	QTY USED	PART DESCRIPTION
	541-1131-01	1	◆ Kit, Remote Panel MC
	300-5899-01	1	◆ Kit, Remote Panel MC
1	319-2339-01	1	Panel, Remote (Includes Label)
2	98-8081	1	Label, Panel (Start/Preheat)
3	308-1101	1	◆ Switch, Rocker MC
4	338-3988	1	◆ Harness, Remote Panel MC (Reaches From Extension Harness to Remote Panel) (Includes Plugs, Wedge and Pin)
5	323-1541	1	Plug (8 Pin) (J4)
6	323-1591	3	Plug, Connector
7	323-1543	1	Wedge, Plug (8 Pin)

REF NO.	PART NO.	QTY USED	PART DESCRIPTION
8	323-1492	5	Pin, Contact
9	308-1019	1	Connector, Switch
10	815-0910	2	Screw, Wood (#6 x 1)

⚠ WARNING ◆ **MC** – Are **MARINE CRITICAL** and must comply with boating safety ignition protection, back-fire, fire resistance, exhaust system integrity, or other requirements established by regulatory agencies, such as US Coast Guard, ABYU, and ISO. When **MARINE CRITICAL** parts are replaced for any reason, use Onan parts that are identified with the part numbers in this book.

Remote Control Panel (w/Switch)



REF NO.	PART NO.	QTY USED	PART DESCRIPTION
	300-5725-01	1	◆ Kit, Remote Panel MC
1	319-4996	1	Panel, Remote (Includes Label)
2	98-8081	1	Label, Panel (Start/Preheat)
3	308-1101	1	◆ Switch, Rocker MC
4	338-3988	1	◆ Harness, Remote Panel MC (Reaches From Extension Harness to Remote Panel) (Includes Plugs, Wedge and Pin)
5	323-1541	1	Plug (8 Pin) (J4)
6	323-1591	3	Plug, Connector
7	323-1543	1	Wedge, Plug (8 Pin)
8	323-1492	5	Pin, Contact

REF NO.	PART NO.	QTY USED	PART DESCRIPTION
9	308-1019	1	Connector, Switch
10	815-0910	2	Screw, Wood (#6 x 1)

⚠ WARNING ◆ **MC** – Are **MARINE CRITICAL** and must comply with boating safety ignition protection, back-fire, fire resistance, exhaust system integrity, or other requirements established by regulatory agencies, such as US Coast Guard, ABYU, and ISO. When **MARINE CRITICAL** parts are replaced for any reason, use Onan parts that are identified with the part numbers in this book.

Kits/Labels

REF NO.	PART NO.	QTY USED	PART DESCRIPTION	REF NO.	PART NO.	QTY USED	PART DESCRIPTION
	100-3478-08	1	Kit, Cruise (Includes Parts Marked *)		185-5348	1	+Seal, Valve Stem
	A026K278	2	*Filter, Fuel		541-0941-01	1	Kit, Remote Switch Harness
	185-7444	2	*Filter, Oil		185-5528	1	+Gasket, Head Cover
	132-0415	2	*Kit, Sea Water Pump Small Service (Includes Impeller and O'Ring Listed on Sea Water Pump Page)		185-6248	1	+O'Ring
	511-0197	1	*Belt, "V"		185-7426	1	+O'Ring
	541-1524	1	*Kit, Water Pump Repair		184-0019	1	+O'Ring
	149-2073	1	Kit, Fuel Filter		184-0017	1	+O'Ring
	184-0051	1	Kit, Gasket (Includes Parts Marked +)		185-2410	1	+Gasket, Oil Gauge
	184-0025	1	+Gasket, Cylinder Head		98-8717	1	Label, Logo (Cummins Onan)
	185-7382	1	+Gasket, Gearcase		98-8686	1	Label, Information Sheet
	185-5438	1	+Gasket Bearing Case				Label, Warning (Service)
	185-7383	1	+Gasket				Label, Warning
	185-6853	1	+Gasket, Muffler				Label, Information (Reconnection)
	185-6851	1	+Gasket				Label, Warning (Coolant)
	185-5413	1	+Gasket, Oil Pump				Label, Information (No Step)
	185-6580	1	+Gasket, Fuel Pump				Label, Warning
	185-7080	1	+Gasket Control Plate				Label, Information (DC)
	185-5720	1	+Gasket Water Flange		98-8677	1	Label, Warning
	184-0036	1	+Gasket, Water Pump				Label, Information Sheet
	185-2268	2	+Gasket, Thermostat				Label, Information (Connection)
	184-0037	1	+Gasket				Label, Information (Control)
	185-5513	1	+Gasket, H/M Gearcase				Label, Warning (Fire Port)
	185-2095	1	+O'Ring				Label, Information
	184-0015	3	+O'Ring				
	185-5410	1	+Seal, Oil (Front)				
	185-5437	1	+Seal, Oil				
	185-5335	1	+Gasket, Inlet Manifold				
	420-0577	1	+Wrench, Oil Filter				

* - Parts Included in Cruise Kit.
+ - Parts Included in Gasket Kit.
- Parts Included in Label Kit.

This Page Intentionally Left Blank.

Numerical Index

<u>Part No.</u>	<u>Page</u>	<u>Part No.</u>	<u>Page</u>	<u>Part No.</u>	<u>Page</u>	<u>Part No.</u>	<u>Page</u>
098-8081, 83 , 84		130-5170, 51		150-2870, 23		181-9083, 24	
098-8677, 85		130-5176, 51		150-2871, 22		181-9084, 27	
098-8686, 85		130-5188-02, 47		150-2873, 21		181-9107, 33 , 43	
098-8717, 85		132-0407, 47		154-3073-01, 63		181-9159, 12	
100-3478-08, 85		132-0410, 47		154-3163, 63		181-9161, 11	
100-3941, 9		132-0411-01, 47		154-3205, 60		181-9162, 11	
100-4098, 9		132-0415, 47 , 85		155-1002, 53 , 54		181-9163, 11	
101-0826-02, 31		132-0430, 47		155-2029, 53 , 54		181-9165, 9	
101-0846, 13		132-0492, 44		155-2030, 53		181-9166, 15	
102-1485, 56		132-0493, 44		155-2033, 63		181-9170, 27	
103-0843, 34		132-0497-02, 47		155-3061, 63		181-9182, 15	
103-0860, 34		132-0517, 44		155-3147, 54		181-9195, 15	
103-0861, 34		134-0690, 42		155-3149, 54		181-9203, 22	
104-1967-02, 31		134-5275-01, 42		155-3217, 53		181-9232, 27	
104-2099, 11		134-5360, 33		155-3218, 53		181-9235, 43	
105-0740, 11		140-2898, 42		155-3239, 54		181-9238, 33	
105-0768, 12		140-3821-02, 42		155-3720, 63		181-9244, 60	
110-3970, 9		140-4176, 42		155-4065, 63		181-9245, 33	
110-3971, 9		140-4182, 42		181-9000, 33		181-9246, 33	
110-3990, 17		140-7176, 42		181-9001, 15 , 43 , 60		181-9251, 17	
110-3991, 17		147-0980, 24		181-9002, 22		181-9256, 60	
110-4095, 16		147-0981, 24		181-9020, 11		184-0011, 56	
114-0420, 10		149-1908-05, 40 , 41		181-9023, 34		184-0012, 19	
115-0516, 33		149-1914-01, 41		181-9024, 33		184-0013, 18	
123-2236, 55		149-1949, 41		181-9037, 11		184-0015, 34 , 85	
123-2296, 33		149-1952, 41		181-9038, 15		184-0017, 18 , 19 , 85	
123-2299, 33		149-1953, 41		181-9039, 22		184-0019, 18 , 19 , 85	
123-2300, 60		149-2041-03, 40		181-9041, 23		184-0021, 10	
123-2301, 33		149-2045, 41		181-9046, 14		184-0022, 13	
123-2302, 33		149-2046, 41		181-9048, 60		184-0023, 9	
123-2303, 33		149-2047, 41		181-9053, 15		184-0024, 16	
123-2304, 33		149-2073, 40 , 85		181-9056, 23		184-0025, 16 , 85	
123-2345, 55		149-2106, 37 , 39		181-9057, 23		184-0027, 13	
130-3570, 49		149-2634-01, 37 , 39		181-9058, 22		184-0028, 12	
130-3571, 49		149-2646, 37 , 39		181-9059, 43		184-0029, 12	
130-3572, 49		149-2651, 37		181-9063, 19		184-0030, 10	
130-3574, 49		150-2630, 20		181-9065, 14		184-0031, 10	
130-3721, 63		150-2639, 20		181-9071, 11		184-0032, 10	
130-5138, 51		150-2641, 20		181-9072, 11		184-0033, 10	
130-5139, 51		150-2643, 20		181-9081, 24		184-0034, 10	
130-5169, 51		150-2724, 20		181-9082, 24		184-0035, 26	

Numerical Index

<u>Part No.</u>	<u>Page</u>	<u>Part No.</u>	<u>Page</u>	<u>Part No.</u>	<u>Page</u>	<u>Part No.</u>	<u>Page</u>
184-0036,	85	185-2238,	43	185-5368,	28	185-5414,	9
184-0037,	85	185-2268,	85	185-5369,	28	185-5415,	9
184-0038,	43	185-2284,	18 , 19 , 23 , 26	185-5370,	28	185-5416,	9
184-0039,	56		, 27	185-5371,	28	185-5421,	26 , 27
184-0040,	12	185-2338,	23	185-5372,	28	185-5422,	24 , 25
184-0043,	34	185-2343,	56	185-5373,	28	185-5433,	44
184-0046,	10	185-2345,	26 , 27	185-5374,	28	185-5434,	44
184-0047,	56	185-2351,	17	185-5375,	28	185-5437,	13 , 14 , 85
184-0048,	56	185-2353,	10 , 15	185-5376,	28	185-5438,	85
184-0049,	15	185-2357,	15	185-5377,	28	185-5458,	43
184-0050,	48	185-2380,	18 , 24	185-5378,	28	185-5482,	9
184-0051,	85	185-2384,	33	185-5379,	28	185-5483,	9
184-0052,	21	185-2385,	26 , 27	185-5380,	28	185-5484,	9
184-0053,	18 , 19	185-2386,	12 , 15 , 17	185-5381,	28	185-5485,	9
184-0054,	21 , 22	185-2387,	12	185-5382,	28	185-5486,	9
184-0056,	18 , 19	185-2388,	9 , 43	185-5383,	28	185-5487,	9
184-0057,	18 , 19	185-2389,	34 , 56 , 60	185-5384,	28	185-5488,	9
184-0058,	19	185-2391,	14	185-5385,	28	185-5489,	9 , 15
184-0059,	18 , 19	185-2393,	21	185-5386,	28	185-5491,	9
184-0060,	18 , 19	185-2397,	34	185-5387,	28	185-5500,	16
184-0062,	26	185-2398,	34	185-5388,	28	185-5501,	16
184-0063,	43	185-2410,	85	185-5389,	28	185-5502,	16
184-0064,	43	185-2411,	16	185-5390,	28	185-5503,	16
185-2016,	10 , 11	185-2413,	16	185-5391,	28	185-5506,	34
185-2022,	11	185-2414,	16	185-5392,	28	185-5507,	34
185-2023,	11	185-2559,	13 , 14 , 44	185-5393,	28	185-5508,	34
185-2026,	10 , 11	185-2563,	16	185-5394,	28	185-5509,	34
185-2028,	11	185-2572,	48	185-5395,	28	185-5510,	34
185-2030,	11	185-5335,	60 , 85	185-5396,	28	185-5513,	85
185-2031,	11	185-5337,	26 , 27	185-5397,	28	185-5515,	13 , 14
185-2033,	10 , 11	185-5339,	16	185-5398,	28	185-5516,	13 , 14
185-2094,	9	185-5348,	17 , 85	185-5399,	28	185-5517,	13
185-2095,	9 , 16 , 85	185-5350,	11	185-5400,	28	185-5519,	13
185-2115,	9	185-5357,	10 , 11	185-5401,	28	185-5528,	85
185-2124,	34	185-5359,	12	185-5402,	28	185-5537,	17
185-2163,	15	185-5360,	10 , 11	185-5403,	28	185-5538,	17
185-2173,	21	185-5361,	10	185-5404,	28	185-5539,	17
185-2180,	23	185-5363,	28	185-5405,	28	185-5540,	17
185-2188,	9 , 16	185-5364,	28	185-5406,	28	185-5541,	17
185-2233,	9	185-5365,	28	185-5410,	34 , 85	185-5542,	17
185-2234,	9 , 34	185-5366,	28	185-5413,	9 , 85	185-5546,	17
		185-5367,	28				

Numerical Index

<u>Part No.</u>	<u>Page</u>	<u>Part No.</u>	<u>Page</u>	<u>Part No.</u>	<u>Page</u>	<u>Part No.</u>	<u>Page</u>
185-5550,	17	185-5629,	15	185-5701,	21 , 22	185-7080,	18 , 19 , 85
185-5551,	17	185-5630,	15	185-5702,	21 , 22	185-7082,	26 , 27
185-5552,	17	185-5631,	15	185-5703,	21 , 22	185-7086,	17
185-5553,	17	185-5632,	15	185-5707,	48	185-7208,	43
185-5554,	12	185-5633,	15	185-5709,	48	185-7267,	18 , 19
185-5555,	12	185-5634,	15	185-5712,	44	185-7313,	23
185-5558,	12	185-5635,	15	185-5713,	44	185-7382,	34 , 85
185-5560,	11 , 12 , 15	185-5638,	25	185-5714,	44	185-7383,	13 , 14 , 85
185-5561,	12	185-5639,	25	185-5715,	44	185-7385,	12
185-5562,	12	185-5640,	25	185-5716,	44	185-7386,	11
185-5563,	12	185-5641,	25	185-5717,	44	185-7393,	43
185-5564,	12	185-5642,	25	185-5719,	33 , 43	185-7394,	17
185-5565,	12	185-5643,	25	185-5720,	85	185-7395,	17
185-5566,	11	185-5644,	25	185-5793,	17	185-7407,	10 , 11
185-5568,	10 , 11	185-5645,	25	185-5798,	9	185-7421,	56
185-5570,	10 , 11	185-5646,	25	185-5826,	43	185-7426,	33 , 85
185-5571,	10 , 11	185-5647,	25	185-5829,	63	185-7440,	17
185-5572,	10	185-5648,	25	185-5833,	60	185-7444,	34 , 85
185-5573,	10 , 11	185-5649,	25	185-5924,	12	190-0757,	31
185-5575,	10	185-5650,	25	185-5966,	21	191-2229,	32
185-5576,	10 , 11	185-5651,	25	185-5985,	27	193-0244,	9
185-5577,	10 , 11	185-5652,	25	185-6039,	9	193-0388,	16
185-5578,	10 , 11	185-5653,	25	185-6105,	13	193-0430-01,	9
185-5579,	10 , 11	185-5654,	25	185-6248,	85	193-0491,	16
185-5580,	10 , 11 , 14	185-5655,	25	185-6580,	9 , 85	201-3607-03,	73
185-5581,	10 , 11 , 14	185-5656,	25	185-6667,	43	205-0300,	73 , 74
185-5583,	10 , 11	185-5657,	25	185-6677,	43	211-0521,	73
185-5587,	31	185-5658,	25	185-6711,	34	212-1303,	73 , 74
185-5612,	26 , 27	185-5659,	25	185-6738,	26 , 27 , 28	220-4610-05,	73
185-5615,	26 , 27	185-5660,	24 , 25	185-6759,	19 , 24	232-4111,	31
185-5616,	28	185-5661,	24 , 25	185-6825,	28	232-4192,	14
185-5617,	28	185-5662,	24 , 25	185-6847,	18	232-4193,	14
185-5618,	28	185-5663,	24 , 25	185-6851,	63 , 85	300-5464,	58
185-5619,	28	185-5679,	23	185-6853,	85	300-5725-01,	84
185-5621,	28	185-5680,	23	185-6931,	23	300-5899-01,	83
185-5622,	28	185-5681,	23	185-6956,	56	300-5966,	77
185-5623,	24	185-5682,	23	185-6999,	21 , 22	300-6393,	82
185-5624,	24	185-5685,	23	185-7069,	34 , 43	302-2048,	77
185-5625,	24	185-5693,	18	185-7073,	14	305-0995,	77
185-5626,	24	185-5696,	18 , 19 , 21 , 22	185-7075,	12	305-1006,	77
185-5628,	15			185-7076,	11	306-5292,	22
		185-5698,	21				

Numerical Index

<u>Part No.</u>	<u>Page</u>	<u>Part No.</u>	<u>Page</u>	<u>Part No.</u>	<u>Page</u>	<u>Part No.</u>	<u>Page</u>
307-1617,	58	338-3169-01,	81	405-9936-03,	65 , 69	503-1136,	51
307-2767,	77	338-3169-02,	81	405-9938,	68 , 69	503-1139,	53
308-1019,	79 , 83 , 84	338-3169-03,	81	405-9939,	65	503-1142,	53 , 54 , 63
308-1101,	77 , 83 , 84	338-3675,	58	405-9940,	65	503-1353,	63
309-0597-01,	63	338-3987,	57	405-9941,	65 , 69	503-1692,	49
309-0717,	51	338-3988,	83 , 84	405-9942-03,	67	503-2160,	51
319-2339-01,	83	338-4016,	81	405-9943-03,	67	503-2161,	51
319-4332-03,	77	338-4017,	81	405-9945-03,	68	503-2162,	51
319-4996,	84	338-4441,	77	405-9946-02,	68 , 69	503-2177,	63
319-5748-03,	77	338-4491,	77	405-9954-03,	68	503-2189,	51
319-6712-03,	67	338-4625,	79	406-0961,	68	503-2192-01,	42
320-1666-01,	77	363-0205,	77	420-0577,	85	503-2193,	47
320-2315,	77	402-0728-01,	59	501-0925,	26	503-2200-01,	37
323-1491,	81	403-3860,	37 , 39	501-0926,	26	503-2200-02,	37
323-1492,	81 , 83 , 84	403-4541-02,	59	501-1118,	27	503-2200-03,	37
323-1500,	79	403-4546-02,	31	501-1119,	27	503-2200-04,	37
323-1504,	79	403-4605,	59	502-0020,	37 , 39	503-2206,	42
323-1505,	79	403-4635-04,	59	502-0020-01,	9 , 40	503-2213,	52
323-1541,	81 , 83 , 84	403-6463-02,	73 , 74	502-0028,	37 , 39	503-2309,	37 , 52
323-1542,	79 , 81	404-0011,	65 , 69	502-0029,	40	503-2396,	52
323-1543,	81 , 83 , 84	405-5884,	65	502-0153,	41	503-2728-01,	52
323-1544,	79 , 81	405-6693,	65 , 68	502-0917,	9	503-2808,	39
323-1563,	77	405-6718,	68	502-0942,	47	503-2823,	42 , 47 , 51 , 63
323-1582-05,	79	405-6749,	67	502-0943,	47		
323-1582-06,	79	405-6750,	67	502-1177,	37 , 39	503-2883-02,	39
323-1582-07,	79	405-6751,	65	502-1209,	47	503-2883-03,	39
323-1583,	79	405-6752,	65	502-1224,	37 , 39	503-2883-04,	39
323-1591,	83 , 84	405-6755,	65	502-1244,	37 , 39	503-2883-10,	39
327-1659-01,	77	405-6757,	68	502-1338,	63	504-0206,	56
327-1659-02,	77	405-6758,	68	502-1359,	9	504-0223,	52
332-0142,	57	405-6759,	65	502-1360,	9	508-0021,	68
332-1356,	73 , 74	405-6766,	65	502-1367-01,	37 , 39	508-0051,	65 , 69
332-2370,	67 , 69	405-6769-02,	65	502-1367-02,	37 , 39	508-0117,	67 , 69
332-3408,	57	405-6775,	65	502-1367-03,	37	508-0166,	52
332-4285,	74	405-6776,	59	502-1368,	37 , 39	508-1095,	68
337-2785,	57	405-7388,	31	502-1383,	52	508-1105,	69 , 77
337-2953,	67 , 69	405-7389,	31	502-1425-02,	52	508-1105-01,	69 , 77
337-3782,	26	405-8541,	67	502-1463,	52	508-1228,	42
338-3167,	81	405-8542,	67	503-0429,	42	508-1255,	10
338-3168,	81	405-9934-03,	65 , 69	503-0977,	52	508-1265,	73 , 74
338-3169,	81	405-9935,	65 , 69	503-1135,	47 , 51	509-0351,	51
						509-0359,	65

Numerical Index

<u>Part No.</u>	<u>Page</u>	<u>Part No.</u>	<u>Page</u>	<u>Part No.</u>	<u>Page</u>	<u>Part No.</u>	<u>Page</u>
509-0420, 31 , 73 , 74		800-0317, 51		821-6003-01, 37 , 39 , 59			
509-0442, 9		800-2033, 31 , 67 , 69		821-6006-01, 77			
509-0549, 9		800-2036, 42		850-0114-53, 47			
510-0184, 20		800-2043, 42		850-0114-54, 47			
510-0299, 15		800-2057, 31		851-0045, 31			
511-0196, 31		800-2091, 73 , 74		853-0013, 57			
511-0197, 48 , 85		800-2093, 31		856-0002, 77			
512-0205-01, 31		800-3006, 59		856-0006, 65 , 67 , 69			
512-0217, 31		800-3017-03, 47		856-0012, 57			
512-0248, 31		800-3017-04, 63		860-2007, 57			
512-0438, 43		800-3017-19, 47		860-2028, 82			
517-0136, 77		800-3017-29, 47		862-0026-55, 47			
517-0138-02, 67		800-3042, 77		870-0221-01, 63			
517-0138-05, 67 , 68		800-6033, 65 , 67		870-2055, 32 , 37 , 39			
517-0386, 56		800-6330, 33		870-2065-01, 42			
517-0387, 16		800-6372, 17		870-2065-02, 31 , 42 , 58			
518-0672, 20		800-6395-01, 55 , 57 , 58		, 63			
520-1021, 63		, 65 , 67		871-0010, 16			
526-0017, 31 , 73 , 74		802-2548, 19		871-0016, 67 , 69			
526-0030, 59		810-0155, 67 , 69		871-0025, 57			
526-0049, 16		814-2152-01, 82		895-0395, 70			
526-0052, 67 , 69		814-2155-01, 82		895-0399, 42			
526-0054, 57		815-0550-01, 77		898-1196-10, 74			
526-0324, 59		815-0586, 57		898-1386, 74			
526-0399-58, 63		815-0657, 31		98-8081, 82			
526-0399-60, 47 , 51		815-0753, 73 , 74		A026K278, 85			
526-0401, 37 , 39		815-0781, 32		A029W995, 74			
526-2050, 77		815-0792-03, 77		A030B088, 69			
526-2080, 31 , 42		815-0829-04, 59 , 74		A030B824, 70			
526-2081, 57 , 77		815-0842-09, 59		A030C166, 70			
526-2100, 31		815-0877, 20		A030C228, 69			
526-2120, 31 , 59		815-0910, 83 , 84		A030C414, 70			
541-0599, 63		815-0916, 51		A044B206, 9			
541-0876-02, 52		815-0927-01, 73 , 74		A045Y528, 16			
541-0941-01, 85		815-0941-04, 31		A045Y540, 15 , 43 , 60			
541-1130, 82		815-0974-04, 77		A045Y545, 12			
541-1131-01, 83		818-0194, 68		A045Y546, 15			
541-1195-01, 77		821-0008, 67		A045Y557, 26			
541-1195-02, 77		821-0009, 69		A045Y560, 26			
541-1524, 85		821-2035, 42		A045Y564, 16			
740-1002, 20		821-6001-01, 77		A053P424, 74			
		821-6002-02, 37 , 39					

This Page Intentionally Left Blank.

power.cummins.com

Copyright © 2016 Cummins Inc. All rights reserved.

Cummins, Onan, the "C" logo, and "Performance you rely on." are trademarks of Cummins Inc.

Other company, product, or service names may be trademarks or service marks of others.

Specifications are subject to change without notice.

