

Catálogo de accesorios Náuticos



Trolling
Motors



Instruments



Electrical



Lighting



Anchor
& Dock



Safety



Steering,
Controls



Pumps



Fuel
System



Seating &
Pedestals



Trailerling



Tops &
Covers



2021

Parte 1

El Navegante

www.repuestoselnavegante.com



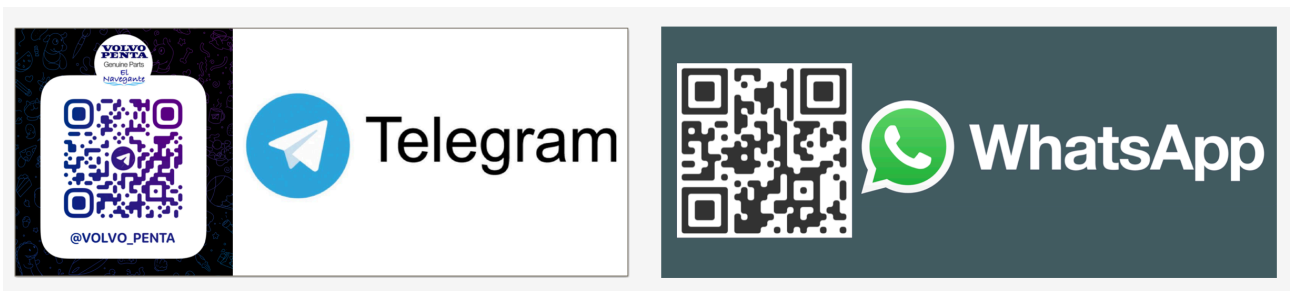
- Trolling Motors
- Instruments
- Electrical
- Lighting
- Anchor & Dock
- Safety
- Steering, Controls
- Pumps
- Fuel System
- Seating & Pedestals
- Trailer
- Tops & Covers
- Perform.
- Propellers
- Engine & Care
- Cleaning & Care
- Paint & Paint Acc.
- Fun & Flotation
- Topside Acc.
- Cockpit & Deck
- Hardware, Fasteners
- Camouflage
- Misc.
- Comm.

Bienvenidos a Repuestos El Navegante.

Aquí podrás encontrar mas de **35.000** productos de diferentes fabricantes, con una gran variedad de accesorios y componentes para tu embarcación, contamos con mas de 20 años de experiencia en el sector náutico, no dudes en contactarnos para aclarar cualquier duda que tengas, prestamos asesoría técnica lo que es un valor agregado, y te dará tranquilidad a la hora de tomar una decisión de compra.

Nota Importante:

Debido a las restricciones causadas por el Covid 19, y otros problemas a nivel Mundial muchas empresas se vieron afectadas debido a la falta de materia prima, por este motivo tanto los precios como las fechas de entrega sufrieron cambios en gran cantidad de productos, comuníquese con nosotros a través del correo: repuestoselnavegante@gmail.com y solicite su presupuesto sin compromiso, también puede comunicarse vía Telegram o WhatsApp escaneando los códigos QR.



Los productos aquí publicados se encuentran en varias partes del mundo, pero la mayoría se encuentran en Estados Unidos y Europa, por lo que estos precios no incluyen gastos de envío.

También puede consultar en nuestra pagina www.repuestoselnavegante.com nuestros términos y condiciones antes de efectuar la compra, ahí podrá ver también nuestra política de devoluciones.

Los productos pueden ser entregados en un currier de su confianza.

En nuestra pagina podrá encontrar mas de **3.500** productos para entrega inmediata.

Nos especializamos en repuestos Volvo Penta, Cummings, Yanmar, Caterpillar, Mercruiser.

Ofrecemos repuestos para Generadores Onan, Kohler, Westerbeke, Fisher Panda y Northern Lights.

Dometic SS-137 Safe-T QC® Steering Systems



- Virtually all power-assisted sterndrive boats.
- Replaces all Dometic Safe-T helms made since 1968 with little or no dash modifications.
- For single station use only. Accepts wheels up to 16" diameter.

Consist of:

- (1) **836555** (SH5094-1P) Safe-T QC Helm (Single)
- (1) **836859** (SB27484P) Safe-T QC 90° Bezel Kit
- (1) SSC62XX - QC Steering Cable

Order No.	Length	List Price		Order No.	Length	List Price	
834855	8'	\$175.39	ZO-9357100	834920	15'	\$175.39	ZO-9503100
834867	9'	\$175.39	ZO-9357100	834932	16'	\$175.39	ZO-9503100
834879	10'	\$175.39	ZO-9503100	834944	17'	\$175.39	ZO-9503100
834881	11'	\$175.39	ZO-9503100	834956	18'	\$175.39	ZO-9503100
834893	12'	\$175.39	ZO-9503100	834968	19'	\$175.39	ZO-9503100
834906	13'	\$175.39	ZO-9503100	834970	20'	\$175.39	ZO-9503100
834918	14'	\$175.39	ZO-9503100	835023	22'	\$247.49	F0-4237100

Dometic SS-132 NFB™ Safe-T II Steering Systems



- Suitable for most single station boats with a single non-power-assisted outboard engine up to V4 and minimal engine flutter or steering instability.
- For single station use only.
- Accepts wheels up to 16" diameter.

Consist of:

- (1) **836621** (SH5150P) NFB Safe-T II Helm (Single)
- (1) **836811** (SB27150P) NFB Rotary 90° Bezel Kit
- (1) SSC62XX - QC Steering Cable

Order No.	Length	List Price		Order No.	Length	List Price	
835101	10'	\$265.39	F0-7758100	835153	15'	\$285.69	F0-8999100
835113	11'	\$275.19	F0-3629100	835163	16'	\$280.69	F0-8469100
835126	12'	\$270.39	F0-7298100	835175	17'	\$283.29	F0-0389100
835138	13'	\$272.99	F0-9019100	835187	18'	\$285.79	F0-5000200
835147	14'	\$283.09	F0-6189100	835202	20'	\$290.89	F0-2630200

Dometic SS-137 Safe-T QC® Steering Systems with Steering Wheel



- Package includes: SS-137 Safe-T QC Steering System and Marpac 7-0253 - Plastic Steering Wheel.
- Marpac Steering Wheel ships separate from Dometic Box (Not part of Dometic Steering System).

Order No.	Length	List Price		Order No.	Length	List Price	
834985	8'	\$212.49	F0-4784100	834991	14'	\$212.49	F0-4784100
834986	9'	\$212.49	F0-4784100	834992	15'	\$212.49	F0-4784100
834987	10'	\$212.49	F0-4784100	834993	16'	\$212.49	F0-4784100
834988	11'	\$212.49	F0-4784100	834994	17'	\$212.49	F0-4784100
834989	12'	\$212.49	F0-4784100	834995	18'	\$212.49	F0-4784100
834990	13'	\$212.49	F0-4784100	834996	20'	\$212.49	F0-4784100

Dometic SS-147 NFB™ 4.2 Steering Systems



- Suitable for most single station boats with a single non-power-assisted outboard engine up to V6 and minimal engine flutter or steering instability.
- 4.2 accepts wheels up to 16" diameter.

Consist of:

- (1) **836666** (SH4910P) NFB 4.2 Helm (Single)
- (1) **836811** (SB27150P) NFB Rotary 90° Bezel Kit
- (1) SSC62XX - QC Steering Cable

Order No.	Length	List Price		Order No.	Length	List Price	
835504	10'	\$270.69	F0-8498100	835566	16'	\$270.69	F0-8498100
835528	12'	\$270.69	F0-8498100	835578	17'	\$270.69	F0-8498100
835530	13'	\$270.69	F0-8498100	835580	18'	\$270.69	F0-8498100
835542	14'	\$270.69	F0-8498100	835592	20'	\$270.69	F0-8498100
835554	15'	\$270.69	F0-8498100				

Dometic SS-148 NFB™ 4.2 Dual Steering Systems



- Suitable for most single station boats with a single non-power-assisted outboard engine up to V6 and minimal engine flutter or steering instability.
- 4.2 accepts wheels up to 16" diameter.

Consist of:

- (1) **836671** (SH4920P) NFB 4.2 Helm (Dual)
- (1) **836811** (SB27150P) NFB Rotary 90° Bezel Kit
- (2) SSC62XX - QC Steering Cable

Order No.	Description	List Price	
835744	Length 14'	\$645.19	F0-3615400



- Electronics
- Trolling Motors
- Instruments
- Electrical
- Lighting
- Anchor & Dock
- Safety
- Steering, Controls
- Pumps
- Fuel System
- Seating & Pedestals
- Trailer
- Tops & Covers
- Perform.
- Propellers
- Engine & Care
- Cleaning & Care
- Paint & Paint Acc.
- Fun & Flotation
- Topside Acc.
- Cockpit & Deck
- Hardware, Fasteners
- Camouflage
- Misc.
- Comm.

Dometic SSX-176 XTREME™ NFB™ Steering Systems



- Suitable for most single station boats with a single non-power-assisted outboard engine up to V6 and minimal engine flutter or steering instability.

• Consist of:

- (1) SHX7606 - Xtreme NFB Helm
- (1) SSCX64XX - Xtreme QC Steering Cable

Order No.	Length	List Price	Order No.	Length	List Price
836210	11'	\$314.79	836220	16'	\$306.39
836212	12'	\$306.39	836222	17'	\$314.79
836214	13'	\$306.39	836224	18'	\$314.79
836216	14'	\$306.39	836226	19'	\$306.39
836218	15'	\$306.39	836228	20'	\$314.79

Dometic SS-151 NFB™ Pro Rack Steering Systems



- Suitable for most single station boats with a single non-power-assisted outboard engine up to V6 and minimal engine flutter or steering instability.

- NFB Rack accepts wheels up to 16" diameter.
- New back mount design installs easy replaces standard Dometic Rack Steering without dash modifications.

• Consist of:

- (1) 836592 (SH5230P) NFB Rack Helm (Single/Dual)
- (1) 8020564 (SB39544P) NFB Rack 90° Bezel Kit
- (1) SSC134XX - Rack Single Steering Cable

Order No.	Length	List Price	Order No.	Length	List Price
835910	11'	\$315.09	835960	16'	\$312.69
835922	12'	\$305.49	835972	17'	\$320.39
835934	13'	\$295.79	835984	18'	\$332.29
835946	14'	\$298.69	836001	20'	\$338.39
835958	15'	\$301.49			

Dometic SS-141 Back Mount Rack Single Steering Systems



Order No.	Length	List Price	Order No.	Length	List Price
834689	8'	\$202.89	834742	14'	\$197.49
834691	9'	\$204.49	834754	15'	\$202.89
834704	10'	\$197.49	834766	16'	\$197.49
834716	11'	\$197.49	834778	17'	\$197.49
834728	12'	\$197.49	834780	18'	\$197.49
834730	13'	\$197.49	834792	20'	\$197.49

Dometic SSX-177 XTREME™ NFB™ Tilt Steering Systems



- Suitable for most single station boats with a single non-power-assisted outboard engine up to V6 and minimal engine flutter or steering instability.

• Consist of:

- (1) SHX97606 - Xtreme Tilt NFB Helm
- (1) 836678 (SH91800P) Sport Tilt Mechanism
- (1) SSCX64XX - Xtreme QC Steering Cable

Order No.	Length	List Price	Order No.	Length	List Price
836230	11'	\$421.59	836240	16'	\$404.69
836232	12'	\$421.59	836242	17'	\$404.69
836234	13'	\$421.59	836244	18'	\$415.79
836236	14'	\$404.69	836246	19'	\$404.69
836238	15'	\$415.79	836248	20'	\$404.69

Dometic SS-152 NFB™ Pro Rack Steering Systems



- Suitable for most single station boats with a single non-power-assisted outboard engine up to V6 and minimal engine flutter or steering instability.

- NFB Rack accepts wheels up to 16" diameter.
- New back mount design installs easy replaces standard Dometic Rack Steering without dash modifications.

• Consist of:

- (1) 836592 (SH5230P) NFB Rack Helm (Single/Dual)
- (1) 8020564 (SB39544P) NFB Rack 90° Bezel Kit
- (1) SSC135XX - Rack Dual Steering Cable

Order No.	Length	List Price	Order No.	Length	List Price
836127	12'	\$609.29	836153	15'	\$655.29
836139	13'	\$615.29	836165	16'	\$661.59
836141	14'	\$638.39			



- Back mount rack replaces 1984-date Dometic "The Rack" steering without dash modification.
- Virtually all power-assisted sterndrive boats with wheels up to 16" diameter.
- For single station use only.

• Consist of:

- (1) 836520 (SH5210P) Back Mount Rack Helm (Single)
- (1) 836809 (SB39526P) Back Mount 90° Bezel Kit
- (1) SSC134XX - Rack Single Steering Cable

Dometic SSC62 QC® Steering Cable



- Fits SH5150P, SH4910P, SH4920P, SH5094-1P, SH91190P, SH91526P, SH9127P and SH91523-1P.

Order No.	Length	List Price		Order No.	Length	List Price	
838089	8'	\$126.39	F0-7488000	838182	18'	\$125.99	F0-9188000
838093	9'	\$126.39	F0-7488000	838194	19'	\$125.89	F0-2188000
838106	10'	\$126.39	F0-7488000	838207	20'	\$125.89	F0-2188000
838118	11'	\$126.29	F0-0488000	838221	22'	\$200.19	F0-3104100
838120	12'	\$126.19	F0-3388000	838245	24'	\$213.09	F0-6194100
838132	13'	\$126.19	F0-3388000	838269	26'	\$225.99	F0-9185100
838144	14'	\$126.09	F0-6288000	838283	28'	\$238.89	F0-2276100
838156	15'	\$126.09	F0-6288000	838307	30'	\$251.79	F0-5267100
838168	16'	\$125.99	F0-9188000	838347	34'	\$303.39	F0-7321200
838170	17'	\$125.99	F0-9188000	838372	40'	\$370.59	F0-7321200

Dometic SSC124 Rack Steering Replacement Cable



- Old Style XR-4 rack steering cable that fits old Dometic Rack Helms: SH5098P, SH5097P, SH91528, SH91529.

Order No.	Length	List Price		Order No.	Length	List Price	
837457	9'	\$211.59	F0-1184100	837510	15'	\$202.89	F0-2024100
837469	10'	\$190.59	F0-1433100	837522	16'	\$220.39	F0-7245100
837471	11'	\$195.59	F0-1963100	837534	17'	\$202.89	F0-2024100
837483	12'	\$202.89	F0-2024100	837546	18'	\$202.89	F0-2024100
837495	13'	\$202.89	F0-2024100	837558	20'	\$202.89	F0-2024100
837501	14'	\$202.89	F0-2024100	836568	22'	\$260.39	F0-7228100

Dometic SSC130 Replacement Steering Cable



- Replacement cable for the Morse 300619 cable used on the Command 200 Rack and Pinion System.

Order No.	Length	List Price		Order No.	Length	List Price	
8020584	11'	\$205.69	F0-8934100	8020588	15'	\$202.89	F0-2024100
8020585	12'	\$202.89	F0-2024100	8020589	16'	\$202.89	F0-2024100
8020586	13'	\$202.89	F0-2024100	8020203	18'	\$238.09	F0-6666100
8020587	14'	\$202.89	F0-2024100				

Dometic SSC219 Jet Boat Steering Cable

- JBS steering cable for the Dometic jet boat steering helms; SH5087P, SH5088P, SH91691P, SH91692P, SH91678P (obsolete) and SH91679P (obsolete).

Order No.	Length	List Price		Order No.	Length	List Price	
837560	10'	\$142.39	F0-7699000	837596	13'	\$154.79	F0-5380100
837572	11'	\$145.79	F0-5020100	7001474	14'	\$162.89	F0-2041100
837584	12'	\$149.29	F0-0540100	7001476	15'	\$166.49	F0-4561100

Dometic SSCX64XX Xtreme Steering Cable



- Designed specifically for the XTREME helms.
- This cable offers lower backlash and is more efficient than a standard steering cable.
- It provides the lowest ease of effort, a close "fit" of the core to liner for lowest lost motion.
- The concept provides the "tight" fit of core to liner yet allows area for lubrication.
- The design of the helm allows higher loads to be placed into the cable requiring this new design cable.
- There is a quick connect feature on both the steering cable and spent travel tube for easy, quick installation.

Order No.	Length	List Price		Order No.	Length	List Price	
837914	10'	\$136.69	F0-8659000	837976	16'	\$148.29	F0-0830100
837926	11'	\$138.69	F0-8079000	837988	17'	\$150.29	F0-0250100
837938	12'	\$140.59	F0-1489000	837990	18'	\$152.19	F0-3560100
837940	13'	\$142.59	F0-1899000	838005	20'	\$156.09	F0-6290100
837952	14'	\$144.49	F0-4110100	838017	22'	\$159.89	F0-2911100
837964	15'	\$146.39	F0-7420100				

Dometic SSC134 Rack Single Steering Cable



- For single cable steering only.
- Fits SH5210P, SH5230P, SH91610P and SH91630P.

Order No.	Length	List Price		Order No.	Length	List Price	
838409	9'	\$182.39	F0-7672100	838473	16'	\$158.29	F0-0801100
838411	10'	\$178.19	F0-3742100	838485	17'	\$160.89	F0-2621100
838423	11'	\$181.49	F0-4072100	838497	18'	\$163.49	F0-4441100
838435	12'	\$147.89	F0-2530100	838498	19'	\$166.09	F0-6261100
838447	13'	\$150.39	F0-7250100	838500	20'	\$168.69	F0-8081100
838459	14'	\$153.09	F0-6170100	838505	21'	\$214.19	F0-3994100
838461	15'	\$155.69	F0-8980100	838512	22'	\$211.59	F0-1184100

Dometic SSC135 Rack Dual Steering Cable



- SSC-135 dual cable replacement.
- Fits SH5210P, SH5230P, SH91610P and SH91630P.

Order No.	Length	List Price		Order No.	Length	List Price	
838550	11'	\$503.19	F0-3225300	838598	15'	\$509.69	F0-8765300
838562	12'	\$489.39	F0-7524300	838602	16'	\$516.49	F0-4516300
838574	13'	\$496.19	F0-3374300	838613	17'	\$523.29	F0-0366300
838586	14'	\$502.99	F0-9025300				

- Electronics
- Trolling Motors
- Instruments
- Electrical
- Lighting
- Anchor & Dock
- Safety
- Steering, Controls
- Pumps
- Fuel System
- Seating & Pedestals
- Trailering
- Tops & Covers
- Perform.
- Propellers
- Engine & Care
- Cleaning & Care
- Paint & Paint Acc.
- Fun & Flotation
- Topside Acc.
- Cockpit & Deck
- Hardware, Fasteners
- Camouflage
- Misc.
- Comm.

Dometic Big-T® Rotary Helm



- Large thread-on nut secures cable to helm.
- Conical plastic nut holds spent travel tube.
- Diecast bezel which can be either round one-piece or oval 2-piece design.
- Older systems may have 2 helms (twin station).

Order No.	Mfg. No. / Description	List Price	
649965	(SH-5000P) Single Cable	\$317.59	F0-1322200
649662	(SB27265P) 2-Piece 90°/20° Bezel	\$164.09	F0-6841100

Dometic Safe-T® TS (Old Style) Helm



- Large thread-on nut secures cable to helm.
- Conical plastic nut holds spent travel tube.
- Requires **838032** (SA27620P) QC II Helm Converter

Order No.	Mfg. No. / Description	List Price	
649977	(SH5023P) Single Cable	\$180.59	F0-1462100

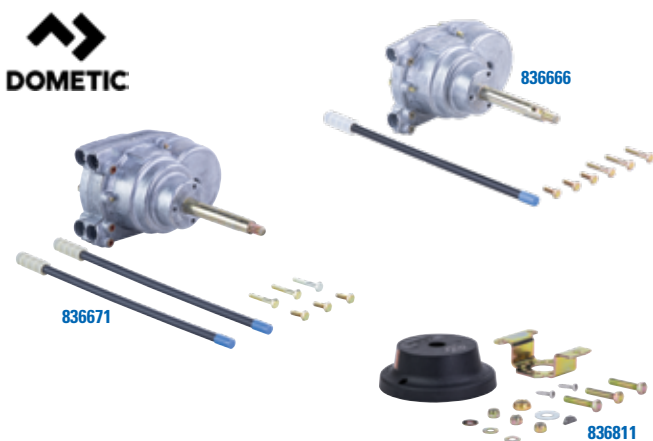
Dometic Safe-T® QC® Helms



- Collet and hitch pin secure QC cable to helm.
- Conical plastic nut holds spent travel tube.

Order No.	Mfg. No. / Description	List Price	
836555	(SH5094-1P) Single Cable	\$86.09	F0-6206000
836582	(SH4952P) Dual Cable	\$273.29	F0-0319100
836859	(SB27484P) Safe-T QC 90° Bezel Kit	\$23.89	F0-2761000
836847	(SB-27483P) Safe-T QC 20° Bezel Kit	\$36.99	F0-9852000

Dometic NFB™ 4.2 Helms



- Two bolts secure QC cable to helm.
- One bolt holds spent travel tube.
- Cast finish helms have No FeedBack feature.

Order No.	Mfg. No. / Description	List Price	
836666	(SH4910P) Single Cable	\$159.19	F0-3411100
836671	(SH4920P) Dual Cable	\$277.79	F0-5449100
836811	(SB27150P) NFB Rotary 90° Bezel Kit	\$28.29	F0-0891000

Dometic NFB™ Safe-T II Helm



- Collet and hitch pin secure QC cable to helm.
- One bolt holds spent travel tube.
- Cast finish helm has No FeedBack feature.

Order No.	Mfg. No. / Description	List Price	
836621	(SH-5150P) Single Cable	\$147.39	F0-7130100
836811	(SB27150P) NFB Rotary 90° Bezel Kit	\$28.29	F0-0891000

Dometic Back Mount Rack Helm



- Four bolts and nuts secure cable's rack housing to helm.
- Helm/cable install as unit from back of dash.
- Helm requires current generation rack cables.
- Dual cable has one rack housing with two cables attached. Single helm works on both single and dual cable applications.
- One bezel is offered; angle to dash is changed by adding wedges.

Order No.	Mfg. No. / Description	List Price	
836708	(SH5210P) Single Cable	\$77.49	F0-4245000
836900	(SB39526P) Back Mount 90° Bezel Kit	\$24.69	F0-8271000
836950	(SB27449P) 20° Wedge Kit	\$25.89	F0-2181000

- Electronics
- Trolling Motors
- Instruments
- Electrical
- Lighting
- Anchor & Dock
- Safety
- Steering, Controls
- Pumps
- Fuel System
- Seating & Pedestals
- Trailer
- Tops & Covers
- Perform.
- Propellers
- Engine & Care
- Cleaning & Care
- Paint & Paint Acc.
- Fun & Flotation
- Topside Acc.
- Cockpit & Deck
- Hardware, Fasteners
- Camouflage
- Misc.
- Comm.

Dometic NFB™ Pro Rack Helm

- Four bolts and nuts secure cable's rack housing to helm.
- Helm has No FeedBack feature.
- Helm/cable install as unit from back of dash.
- Helm requires current generation rack cables.
- Dual cable has one rack housing with two cables attached. Single helm works on both single and dual cable applications.
- One bezel is offered; angle to dash is changed by adding wedges.



Order No.	Mfg. No. / Description	List Price	
836758	(SH5230P) Single/Dual Cable	\$155.99	F0-9190100
836912	(SB39544P) NFB Rack 90° Bezel Kit	\$26.19	F0-3381000
836950	(SB27449P) 20° Wedge Kit	\$25.89	F0-2181000

Dometic Tilt Steering



- Tilt steering is an option for all mechanical steering systems.
- Precise, easy turning.
- Pre-loaded dual taper bearings ensures minimal free play at the wheel.
- Smooth operation and feel.
- Shaft seals to prevent water ingress.
- 48° of tilt articulation.
- 5 positive lock positions.
- Compact footprint.
- Fits most dashes.
- When ordering mechanical Tilt Steering, note that a special Tilt version of the helm must be ordered. Also, a Tilt Mechanism must be ordered.



TILT MECHANISM - TAPER WHEEL SHAFT

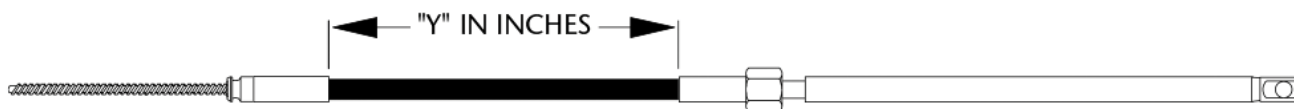
Order No.	Mfg. No.	Type	Cover Style	List Price	
836678	(SH91800P)	Sport	Flexible Rubber Bellows	\$152.49	F0-4760100
836680	(SH91900P)	Sport Plus	Solid Round Cover	\$171.99	F0-9302100

HELMS (REQUIRE TILT MECHANISM AS SHOWN ABOVE)

Order No.	Mfg. No. / Description	List Price	
836565	(SH91523-1P) Safe T QC Tilt Helm	\$132.89	F0-2039000
836633	(SH91190P) Safe T II (NFB) Tilt Helm	\$169.49	F0-4681100
7001468	(SH91526P) 4.2 NFB Tilt Helm	\$247.49	F0-0424200
7001472	(SH9495-2P) Dual 4-Turn Non-NFB Tilt Helm	\$334.19	F0-3933200
8020194	(SH91527P) 4.2 NFB - Dual Cable Tilt Helm	\$346.29	F0-0424200
836710	(SH91610P) Rack Tilt Helm	\$108.49	F0-4957000
836760	(SH91630P) Rack (NFB) Tilt Helm	\$180.19	F0-3162100



How to Measure Steering Cables "Measure Twice. Order Once." Courtesy of Dometic



Replacement of Existing Cable: If possible, find the part number stamped on the plastic jacket of the old cable. If you removed the old cable, measure for the replacement cable as follows:

For Rotary Steering Cable Replacement: Measure existing cable as follows: Measure plastic cable jacket ("Y" dimension, shown in above drawing) in inches, add 18" and round up to the next foot. Order that length cable.

For Rack Steering Cable Replacement: Measure existing cable as follows: Measure plastic cable jacket ("Y" dimension shown in above drawing) in inches, add 30" and round up to the next foot. Order that length cable.

- Electronics
- Trolling Motors
- Instruments
- Electrical
- Lighting
- Anchor & Dock
- Safety
- Steering, Controls**
- Pumps
- Fuel System
- Seating & Pedestals
- Trailer
- Tops & Covers
- Perform.
- Propellers
- Engine & Care
- Cleaning & Care
- Paint & Paint Acc.
- Fun & Flotation
- Topside Acc.
- Cockpit & Deck
- Hardware, Fasteners
- Camouflage
- Misc.
- Comm.

Dometic Steering Connection Kit - Tilt Tube Mount



- This is the most popular steering cable-to-engine connection method for outboards with an ABYC standard tilt tube.
- Link arm kits for outboards.
- **For use with:** J/E 55-135 HP; Mercury 85-140 HP.

Order No.	Mfg. No. / Description	List Price	
649523	(SA27361P)	\$107.59	F0-1357000

Dometic Steering Connection Kits - Transom Support Mount



- Used for older model outboards without tilt tubes, low HP outboards or applications where transom design interferes with standard tilt tube mounting.
- In salt or brackish water only use **649439** - Stainless Steel Kit.

Order No.	Mfg. No. / Description	List Price	
649439	(SA27255P) Stainless Steel	\$357.89	F0-2505200
649434	(SA27256P) Corrosion Resistant	\$181.09	F0-6762100

Dometic Ski Boat Inboard Clamp Block Kit



- Heavy duty with black metal flake finish.
- 4-1/2" stand-off.

Order No.	Mfg. No. / Description	List Price	
649484	(SA27579P)	\$118.99	F0-9238000

Dometic Inboard Clamp Block Kit (Ski Boat)



- Heavy duty with black metal flake finish.
- 2-1/4" stand-off.

Order No.	Mfg. No. / Description	List Price	
649478	(SA27578P)	\$105.49	F0-4837000

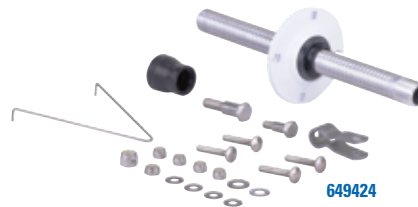
Dometic Splashwell Threaded Tube with Ball



- Corrosion resistant.
- Not for through-transom use.

Order No.	Mfg. No. / Description	List Price	
649408	(SA36316P)	\$45.19	F0-3613000
649395	(SA37868P) Boot Only	\$12.89	F0-2090000

Dometic Steering Connection Kits - Splashwell Mounting



649424



649410

- This cable connection is used on boats where standard tilt tube or transom support mounting methods are precluded by a splashwell box or lack of engine tilt tube.
- The mounting surface is usually near perpendicular to the transom and between 12 and 16 inches from the center line of the boat and/or tiller (25-33" total splash well width).

Order No.	Mfg. No. / Description	List Price	
649424	(SA27254P) 90° Splashwell Mount Kit	\$125.29	F0-0778000
649410	(SA27253P) 15° Splashwell Mount Kit	\$190.69	F0-8433100

Dometic Outboard Clamp Block Kit



649371



649383

- A replacement part for the ball post and clamp block assembly in steering connection kits - SA27255 and **649434** (SA27256).

CORROSION RESISTANT

Order No.	Mfg. No. / Description	List Price	
649371	(SA27055P)	\$111.29	F0-0977000

STAINLESS STEEL

Order No.	Mfg. No. / Description	List Price	
649383	(SA27149P)	\$160.39	F0-7221100

Dometic Support Tubes



649447

Order No.	Mfg. No. / Description	List Price	
649447	(SA27274P) Aluminum	\$26.79	F0-5781000
649458	(SA27275P) Stainless Steel	\$92.99	F0-9056000

- Electronics
- Trolling Motors
- Instruments
- Electrical
- Lighting
- Anchor & Dock
- Safety
- Steering, Controls
- Pumps
- Fuel System
- Seating & Pedestals
- Trailering
- Tops & Covers
- Perform.
- Propellers
- Engine & Care
- Cleaning & Care
- Paint & Paint Acc.
- Fun & Flotation
- Topside Acc.
- Cockpit & Deck
- Hardware, Fasteners
- Camouflage
- Misc.
- Comm.

Dometic Clevis Kits



- Stainless steel.

Order No.	Mfg. No. / Description	List Price	
649509	(SA27314P) With Short Bolt	\$49.39	F0-7543000
649511	(SA27329P) With Long Bolt	\$41.79	F0-5292000

Dometic Inboard Tiller Arm Bushing Kit



Order No.	Mfg. No. / Description	List Price	
649527	(SA27313P)	\$10.19	F0-3170000

Dometic Plastic Spent Travel Tube



- For Safe-T QC, Safe-T "TS" and Big-T Helms.

Order No.	Mfg. No. / Description	List Price	
649547	(SA35680P)	\$9.59	F0-1760000

Dometic Universal Tie Bar Kit



- Maximum length: 25-1/2".

Order No.	Mfg. No. / Description	List Price	
649600	(SA27252P)	\$406.69	F0-8648200

T & R Marine Steering Tube Cleaning Brush



- Cleans corroded engine tilt tubes.
- Constructed of steel wire with 8" shaft.
- For use with electric drill motor.

Order No.	Mfg. No. / Description	List Price	
642580	(TB-10)	\$25.19	H0-1151000

Dometic Rod End Kits



- 1/2"-20 thread.

Order No.	Mfg. No. / Description	List Price	
649460	(SA27276P) Steel	\$67.99	F0-9574000
649466	(SA27277P) Stainless Steel	\$125.79	F0-5088000

Dometic Plastic Spent Travel Tube



- For NFB 4.2, NFB Safe-T II and HPS Rotary Helms.

Order No.	Mfg. No. / Description	List Price	
649550	(SA38603P)	\$9.99	F0-9960000

Dometic QC® II Helm Converter



- Upgrades older Dometic Rotary Helms to Quick-Connect cable interface.
- For helms with threaded spigots.

Order No.	Mfg. No. / Description	List Price	
838032	(SA27620P)	\$17.89	F0-2521000

Marpac Steering Cable Protector



- Heavy duty rubber boot.
- Output end: 3/8" diameter.
- Cable end: 1" diameter.
- Overall diameter: 1-1/2".
- Maximum length: 10".
- Minimum length: 3-1/2".

Order No.	Description	List Price	
7-0678	Cable Protector	\$5.29	G0-4530000

- Electronics
- Trolling Motors
- Instruments
- Electrical
- Lighting
- Anchor & Dock
- Safety
- Steering, Controls**
- Pumps
- Fuel System
- Seating & Pedestals
- Trailer
- Tops & Covers
- Perform.
- Propellers
- Engine & Care
- Cleaning & Care
- Paint & Paint Acc.
- Fun & Flotation
- Topside Acc.
- Cockpit & Deck
- Hardware, Fasteners
- Camouflage
- Misc.
- Comm.

Uflex Fourtech Universal Rotary Steering Systems



- Featuring the T91 helm with a Planetary Gear Design, the Fourtech offers performance, flexibility and durability increased by top quality materials and construction.
- Centered on the main drive shaft, this helm requires less room behind the dash and is a direct "drop in" replacement for competing system; requiring no new holes for installation.
- The package includes T91 helm (PLANETARY GEAR DESIGN), bezel and highly flexible M90 Mach cable (patented).

Order No.	Length	List Price	Order No.	Length	List Price
8040200	10'	\$200.09	8040225	15'	\$200.09
8040205	11'	\$200.09	8040230	16'	\$200.09
8040210	12'	\$200.09	8040235	17'	\$200.09
8040215	13'	\$200.09	8040240	18'	\$200.09
8040220	14'	\$200.09	8040245	20'	\$200.09

Uflex Accutech™ Steering Systems



- Recommended for outboard applications or non power assisted sterndrives where there is limited space behind the dash, the Accutech features a patented spring clutch of the G88NR helm eliminates continuous loads while not actively changing direction.
- The M86 cable included with the Accutech has an armor wrapped stainless steel core for maximum efficiency and minimal lost motion.

Order No.	Length	List Price	Order No.	Length	List Price
8040110	13'	\$281.99	8040125	16'	\$281.99
8040115	14'	\$281.99	8040130	17'	\$281.99
8040120	15'	\$281.99	8040135	18'	\$281.99

Uflex M66 Universal Rotary Steering Cables



- Directly replaces Uflex, SSC6200 and 290 steering cables with no adapters.
- Features solid stainless steel engine output fittings for enhanced longevity and durability.

Order No.	Length	List Price	Order No.	Length	List Price
2006910	8'	\$117.19	2006950	16'	\$117.19
2006915	9'	\$117.19	2006955	17'	\$117.19
2006920	10'	\$117.19	2006960	18'	\$117.19
2006925	11'	\$117.19	2006965	20'	\$117.19
2006930	12'	\$117.19	2006970	22'	\$196.29
2006935	13'	\$117.19	2006975	24'	\$212.49
2006940	14'	\$117.19	2006980	26'	\$228.79
2006945	15'	\$117.19			

Uflex Rotech™ Steering Systems



- Featuring the T71FC helm with a Planetary Gear Design, the Rotech reduces steering effort and delivers more balanced loads on the steering wheel.
- This unique design also offers a wider wear area which reduces lost motion and improves durability.
- Centered on the main drive shaft, this helm requires less room behind the dash and is a direct "drop in" replacement for competing system; requiring no new holes for installation.
- The Rotech package also includes the M66 Universal Rotary Steering Cable with stainless steel output fittings for maximum longevity and smooth steering.

Order No.	Length	List Price	Order No.	Length	List Price
8040000	8'	\$180.99	8040030	14'	\$180.99
8040005	9'	\$180.99	8040035	15'	\$180.99
8040010	10'	\$180.99	8040040	16'	\$180.99
8040015	11'	\$180.99	8040045	17'	\$180.99
8040020	12'	\$180.99	8040050	18'	\$180.99
8040025	13'	\$180.99	8040055	20'	\$180.99

Uflex Racktech™ Steering Systems



- The Racktech Rack and Pinion steering package offers a compact installation and features the M86 cable with an armor wrapped stainless steel core for maximum efficiency and minimal lost motion.
- Ideal for boats with minimal clearance behind the dash, the Racktech is recommended for power assisted sterndrives and other applications with minimal rudder torque.

Order No.	Length	List Price	Order No.	Length	List Price
8040060	10'	\$180.99	8040085	15'	\$180.99
8040065	11'	\$180.99	8040090	16'	\$180.99
8040070	12'	\$180.99	8040095	17'	\$180.99
8040075	13'	\$180.99	8040100	18'	\$180.99
8040080	14'	\$180.99	8040105	20'	\$180.99

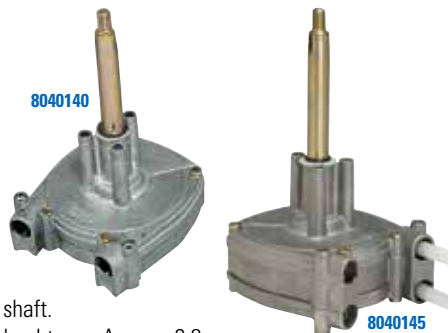
Uflex M86 Steering Cables



- For older Morse Rack & Pinion.
- Will work with SSC124 and 300619 Rack.

Order No.	Length	List Price	Order No.	Length	List Price
2006520	10'	\$142.89	2006545	15'	\$142.89
2006525	11'	\$142.89	2006550	16'	\$142.89
2006530	12'	\$142.89	2006555	17'	\$142.89
2006535	13'	\$142.89	2006560	18'	\$142.89
2006540	14'	\$142.89	2006570	20'	\$142.89

Uflex Rotary Helms



- Standard 3/4" tapered shaft.
- Lock-to-lock steering wheel turns: Approx. 3.8.
- Stroke: 9" (228 mm).
- Maximum allowable steering wheel diameter: 16" (406 mm).
- Minimum steering cable bend radius: 7.9" (200 mm).
- Minimal feedback.
- T71FC and T72FC steering systems are not to be used on boats equipped with engines that exceed the maximum horsepower rating of the boat.
- For boats faster than 50 mph the twin cable steering system T72FC is recommended. T71FC steering system is also available in package with ROTECH, which includes the X35 bezel and M66 cable.
- No hardware, use X34 or X35.

Order No.	Mfg. No. / Description	List Price	
8040140	(T71FC) Single Helm Only	\$84.59	F0-1295000
8040145	(T72FC) Dual Helm Only	\$140.29	F0-0289000

Uflex Rack & Pinion Helms



- Made exclusively in corrosion resistant materials.
- Optional 90° or 20° installation.
- Standard 3/4" tapered shaft.
- Lock-to-lock steering wheel turns: 3.5.
- Stroke: 8.2" (210 mm).
- Maximum allowable steering wheel diameter: 16.5" (420 mm).
- Minimum steering cable bend radius: 7.9" (200 mm).
- G86 and G88 NR steering systems are not to be used on boats equipped with engines that exceed the maximum horsepower rating of the boat.
- Available in package includes X34 bezel and M66 cable with RACKTECH and ACCUTECH.
- No hardware, use X34 or X35.

Order No.	Mfg. No. / Description	List Price	
8040165	(G86) Helm Only	\$78.69	F0-8055000
8040170	(G96) Tilt Helm Only (Use with Tilt Assembly X52)	\$102.89	F0-2027000

Uflex Tilt Mechanism



- Tilt range of 48° and five locking positions.
- NOTE: X52 tilt mechanism fits standard Ultraflex tilt mount rotary and rack and pinion steering helms as well as standard Ultraflex tilt mount hydraulic pumps except SilverSteer and MasterDrive steering systems.

Order No.	Mfg. No. / Description	List Price	
8040185	(X52)	\$165.09	F0-6551100

Uflex Anti-Feed Back Helm



- Easy and safe steering: a patented nonreversible mechanism eliminates the continuous load on the operator caused by the propeller torque.
- Fast connect, simple installation.
- Compact rotary helm unit: the central location of the steering shaft makes these systems the most compact in their class.
- Most suitable where clearance is limited.
- Ideal for outboards and surfacing propellers.
- Optional 90° or 20° installation.
- Standard 3/4" tapered shaft.
- All stainless steel cable output ends.
- Made exclusively in corrosion resistant materials.
- Lock-to-lock steering wheel turns: Approx 3.8.
- Use with M66 Cable.
- No hardware, use X34 or X35.

Order No.	Mfg. No. / Description	List Price	
8040150	(T73FC) Single Helm Only	\$150.19	F0-3150100

Uflex Rotary Tilt Helms



- Easy and safe steering: a patented nonreversible mechanism eliminates the continuous load on the operator caused by the propeller torque.
- Fast connect, simple installation.
- Compact rotary helm unit: the central location of the steering shaft makes these systems the most compact in their class.
- Most suitable where clearance is limited.
- Ideal for outboards and surfacing propellers.
- Optional 90° or 20° installation.
- Standard 3/4" tapered shaft.
- All stainless steel cable output ends.
- Made exclusively in corrosion resistant materials.
- Lock-to-lock steering wheel turns: Approx 3.8.
- Use with M66 Cable.
- No hardware, use X34 or X35.

USE WITH TILT ASSEMBLY X52

Order No.	Mfg. No. / Description	List Price	
8040155	(T81FC) Single Helm Only	\$129.79	F0-5809000
8040160	(T83FC) Dual Helm Only	\$256.29	F0-0497100

Uflex Bezel Kits



- Fits all cable helms.

Order No.	Mfg. No. / Description	List Price	
8040175	(X34W) White 90° Mounting	\$25.39	F0-7771000
8040180	(X35) Black 20° Mounting	\$29.19	F0-3402000

- Electronics
- Trolling Motors
- Instruments
- Electrical
- Lighting
- Anchor & Dock
- Safety
- Steering, Controls
- Pumps
- Fuel System
- Seating & Pedestals
- Trailer
- Tops & Covers
- Perform.
- Propellers
- Engine & Care
- Cleaning & Care
- Paint & Paint Acc.
- Fun & Flotation
- Topside Acc.
- Cockpit & Deck
- Hardware, Fasteners
- Camouflage
- Misc.
- Comm.

Ezy-Glide "Stik II" Stick Steering - Model 840



- A mechanical steering system designed so the operator may be positioned in the front for better visibility and convenience.
- A one piece stainless steel drive spool along with a durable high impact housing provide a superior single lever steering platform for today's fisherman.
- The slower ratio provides the added mechanical advantage needed for higher horsepower as well as 4 stroke engines.
- This system is rated for outboard engines not to exceed 70 H.P.
- Jet Drives not to exceed 90 H.P.
- Total handle travel: 58"/206°.
- Ratio: 6.4/1.

Order No.	Length	List Price	Order No.	Length	List Price
336203	8'	\$386.69	336241	12'	\$386.69
336215	9'	\$386.69	336253	13'	\$386.69
336227	10'	\$386.69	336265	14'	\$386.69
336239	11'	\$386.69	336277	15'	\$386.69

Ezy-Glide Stik Steering Accessories

Order No.	Mfg. No. / Description	List Price
3362034	(DC-212) Dress Cover	\$5.39
3362035	(EG-LPK) Fresh-Water Engine Connection Kit	\$153.69
3362036	(H-260) Replacement Lever	\$23.99
3362038	(HP-900) Mounting Hardware Pack	\$5.09
3362039	(K-060) Replacement Knob	\$4.09

Buck-Algonquin Threaded Ball



- 304 stainless steel.
- Complete with two nuts.
- Ball diameter 1".
- Overall length 3-1/8". Thread size 1/2" x 2".

Order No.	Mfg. No. / Description	List Price
261405	(70THDBALL)	\$46.89

Perko Fig. 1226 Tiller Rope Clamp



- Chrome plated zinc alloy.
- For 1/8" or 3/16" diameter cable.
- Width 11/16", overall length 1-1/4".
- Sold 2 per display pack.

Order No.	Mfg. No. / Description	List Price
533554	(1226 DPO CHR)	\$8.69

Ezy-Glide "Stik III" Stick Steering - Model 870



- The Ezy-Stik III has incorporated many of the outstanding and time proven features of the Model 840. Such as a one piece stainless steel drive spool and reinforced composite housing.
- The Model 870 has been developed due to the increased demand for a system with quicker response and shorter lock-to-lock travel distance.
- Model 870 also has higher horsepower ratings.
- Not to exceed 70 HP maximum.

Order No.	Length	List Price	Order No.	Length	List Price
336280	11'	\$416.79	336285	14'	\$416.79
336281	12'	\$416.79	3362029	15'	\$416.79
336284	13'	\$416.79			

Ezy-Glide Replacement Cables for "Stik II" and "Stik III"

Order No.	Mfg. No. / Description	List Price
336660	(RC-1000) Length 10', Reach 112"	\$187.29
336300	(RC-1100) Length 11', Reach 124"	\$187.29
336301	(RC-1200) Length 12', Reach 136"	\$187.29
336302	(RC-1300) Length 13', Reach 148"	\$187.29
336661	(RC-1400) Length 14', Reach 160"	\$187.29
336662	(RC-1500) Length 15', Reach 172"	\$187.29
3362054	(RC-1700) Length 17'	\$187.29

Buck-Algonquin Swivel Socket



- Bronze.
- Accommodates ball type steerers.
- Complete with cotter pin and set screw.
- Overall length 5". Thread size 3/4"-14. Ball opening 1".

Order No.	Mfg. No. / Description	List Price
261393	(00SWS75)	\$157.49

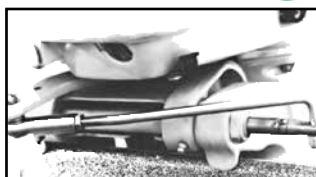
Perko Fig. 634 Tiller Rope Pulley



- Stainless steel with white plastic sheave.
- Swivel snap hook type.
- Maximum rope size 1/4".
- Sheave OD 2-5/16".
- Overall length 4-5/8", opening snap throat 1/2".
- Sold 2 per display pack.

Order No.	Mfg. No. / Description	List Price
541372	(0634 DP)	\$32.29

T & R Marine Standard 3/8" Diameter Steering Link Arm



- Complete with adjustable ball joint and nylon lock nuts to insure vibration proof locking.
- Diameter 3/8".
- Chrysler/Force, up to 140 HP.

PLATED STEEL CONSTRUCTION

Order No.	Mfg. No. / Description	List Price
2077523	(SLA-960F)	\$68.39 H0-3014000

T & R Marine Clamp Mount Connection Kit



- This kit mounts on the clamp bracket of the engine to clear most braces in the engine well.
- Steering tube is provided with grease fitting and O-ring.
- All parts furnished for simple hook up.
- The steering kit must be removed before removing the engine, thus discouraging theft.
- Stainless steel and aluminum makes this kit corrosion resistant.
- Tohatsu/Nissan, 9.9, 12, 15, 18 HP, 1982 and newer.

Order No.	Mfg. No. / Description	List Price
2077513	(OSM-3796)	\$256.09 H0-5635100

T & R Marine Clamp Mount Connection Kit



- This kit mounts on the engine clamp bracket to provide thru tube steering.
- Stainless steel kit with aluminum brackets and stainless steel hardware.

Order No.	Mfg. No. / Description	List Price
2077506	(OSM-3225) Johnson/Evinrude, 25 HP	\$277.99 H0-9766100

T & R Marine Dual Cable Connection Kits - Same Side



- Dual cable kit for cables installed down same side of boat (port or starboard).
- Steering tube is provided with grease fittings and O-ring.
- All parts provided for simple hook up.
- Stainless steel and aluminum makes this kit corrosion resistant.

MERCURY 1980 & NEWER BLACK MAX MARINER V6 1980 & NEWER

- Fits all Mercury/Mariner 2.4.

Order No.	Mfg. No. / Description	List Price
2077508	(OSM-3665)	\$405.39 H0-3234200

YAMAHA 115-200 HP, 1984 AND NEWER

Order No.	Mfg. No. / Description	List Price
2077510	(OSM-3790)	\$383.29 H0-7992200

T & R Marine Super 7/16" Diameter Steering Link Arms



- Complete with adjustable ball joint and nylon lock nuts to insure vibration proof locking.
- Diameter 7/16".

PLATED STEEL CONSTRUCTION

Order No.	Mfg. No. / Description	List Price
2077520	(SLA-945F) Johnson/Evinrude, 120-235 HP	\$101.69 H0-1016000
2077522	(SLA-955F) Mercury, 120-200 HP	\$82.19 H0-1394000

T & R Marine Clamp Mount Connection Kit



- Constructed of aluminum and plated steel.
- This kit fits under engine clamps and is designed to prevent motor from jumping off the transom.
- Also prevents damage to the transom by the clamps.
- All parts furnished for simple hook up.
- Mariner: 9.9, 15 HP - 1982 and newer. Suzuki: 9.9, 15, 16, 25 HP - 1982 and newer. Johnson/Evinrude: 9.9, 15, 25, 30, 35, 40 HP - 1977 and newer. Yamaha: 9.9, 15 HP - 1984 and newer.

Order No.	Mfg. No. / Description	List Price
633607	(FWK-3475)	\$163.89 H0-3389000

T & R Marine Dual Steering Connection Kits - Same Side



- Dual cable kit for cables installed down same side of boat (port or starboard).
- Steering tube is provided with grease fitting and O-ring.
- All parts provided for simple hook up.
- Stainless steel and aluminum makes these kits corrosion resistant.
- Note: Steering link arm not included in these kits.

MERCURY 1980 & NEWER BLACK MAX MARINER V6 1980 & NEWER

- Fits all Mercury/Mariner 2.4. Suzuki 150-150SS-200 HP 1986 and newer, 115-140 HP 1987 and newer.

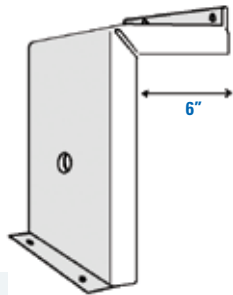
Order No.	Mfg. No. / Description	List Price
634053	(OSM-3798)	\$152.09 H0-5219000

JOHNSON/EVINRUDE

Order No.	Mfg. No. / Description	List Price
2077509	(OSM-3789) V4 and V6, 1989 and Newer	\$152.09 H0-5219000
634027	(OSM-3794) 70-235 HP, 1977-88, except 225	\$152.09 H0-5219000

- Electronics
- Trolling Motors
- Instruments
- Electrical
- Lighting
- Anchor & Dock
- Safety
- Steering, Controls**
- Pumps
- Fuel System
- Seating & Pedestals
- Trailering
- Tops & Covers
- Perform.
- Propellers
- Engine & Care
- Cleaning & Care
- Paint & Paint Acc.
- Fun & Flotation
- Topside Acc.
- Cockpit & Deck
- Hardware, Fasteners
- Camouflage
- Misc.
- Comm.

Ezy-Glide Side Mounting Bracket



- The Rigger's Pal is for port mounting installation adjacent to the operator seat.
- Can be used for mounting throttle box controls.
- Height 12".

Order No.	Mfg. No. / Description	List Price
336657	(RP-12)	\$101.79 FO-5217000

T-H Marine Steering Console Mount



- Aluminum console features welded construction, plywood reinforced face for steering wheel mounting, adjustable height, space for mounting switches and instruments and a flat top for depth finder mounting.
- Adaptable to most aluminum or fiberglass boats.
- Manufactured from .090" thick material.
- Overall width: 24", top of console: 20". Overall depth: 10-1/2", top of console: 5-1/2". Overall height: Adjustable from 16" to 26".

Order No.	Mfg. No. / Description	List Price
640905	(SCM-2-DP)	\$298.69 HO-1297100

Rough Water Center Consoles



723196



723194

- Made with an average fiberglass thickness of 1/4" - 3/8".
- Dash is reinforced with 5/8" marine grade plywood.
- Large rounded corners.
- Measurements include flange.

Order No.	Mfg. No. / Description	For Boats:	List Price
723190	(RWCC01) 25" H x 21" W x 16" D	13' - 16'	\$416.79 EO-9521300
723192	(RWCC02) 31" H x 23" W x 22" D	15' - 18'	\$450.09 EO-7573300
723194	(RWCC03) 37" H x 31" W x 31" D	18' - 24'	\$683.09 EO-2321500
723196	(RWCC04) 53" H x 38" W x 38" D	23' - 28'	\$898.69 EO-2047600

Side Consoles



- Dimensions: 23" W x 19" L x 29" H.

Order No.	Mfg. No. / Description	List Price
7001158	(SC-GRY) Gray	\$253.09 FO-6177100
7001160	(SC-ODGRN) OD Green	\$253.09 FO-6177100
7001162	(SC-TAN) Tan	\$253.09 FO-6177100

Small Pontoon Consoles



- Dimensions: 34" W x 22" L x 32" H.

Order No.	Mfg. No. / Description	List Price
2001395	(CON-GRY) Gray	\$514.29 FO-0006300
2001396	(CON-TAN) Tan	\$514.29 FO-0006300

Pedestal Console



- Dimensions: 28" W x 23" L x 34" H.

Order No.	Mfg. No. / Description	List Price
7001156	(PC-WHT) White	\$461.29 FO-0922300

Medium Flare Side Center Console



- Without livewell.
- Dimensions: 34" W x 39" L x 30" H.

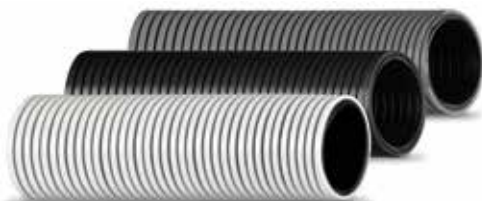
Order No.	Mfg. No. / Description	List Price
7001154	(FC-WHT) White	\$595.99 FO-9171400

SPECIAL HANDLING MAY APPLY

- Electronics
- Trolling Motors
- Instruments
- Electrical
- Lighting
- Anchor & Dock
- Safety
- Steering, Controls
- Pumps
- Fuel System
- Seating & Pedestals
- Trailer
- Tops & Covers
- Perform.
- Propellers
- Engine & Care
- Cleaning & Care
- Paint & Paint Acc.
- Fun & Flotation
- Topside Acc.
- Cockpit & Deck
- Hardware, Fasteners
- Camouflage
- Misc.
- Comm.



MPI Products Outboard Rigging Tubing



- Our premium outboard rigging tubing has a crush resistant proprietary PE blend construction, which provides excellent flexing and abrasion protection.
- Material is resistant to bilge acids, fuel solutions and ultra violet rays.
- For all bracket mounted outboard motors.
- Is formulated for maximum resistance to UV and ozone.
- Temperature range is -40° F to 160° F.

Order No.	Mfg. No. / Description	List Price
641818	(127-2006) Black 2" ID Length 50'	\$243.99 H0-9364100
641819	(127-2003) Black 2" ID Length 10'	\$50.19 H0-1103000
641821	(126-2006) Gray 2" ID Length 50'	\$243.99 H0-9364100
768626	(128-2006) White 2" ID Length 50'	\$243.99 H0-9364100
768640	(127-2126) Black 2-1/2" ID Length 50'	\$291.59 H0-5947100
768652	(127-3006) Black 3" ID Length 50'	\$690.29 H0-7141400

MPI Products Outboard Rigging Flange



- Premium quality, crush resistant proprietary PE blend construction provides excellent flexing and abrasion protection.
- For all bracket mounted outboard motors.

Order No.	Mfg. No. / Description	List Price
641806	(747-2000) Black 2" ID	\$12.89 H0-3770000
641825	(748-2000) White 2" ID	\$12.89 H0-3770000
768715	(747-2120) Black 2-1/2" ID	\$17.99 H0-9701000
768727	(747-3000) Black 3" ID	\$28.99 H0-9371000

T-H Marine Rigging Hose



- Provide an excellent system to protect cables and wiring from dirt, abrasion, sun and water.
- Durable, flexible and kink resistant.

Order No.	Mfg. No. / Description	List Price
6400255	(RFH-1-DP) Black 2" x 50' Roll	\$231.99 H0-9193100
6400260	(RFH-2-DP) White 2" x 50' Roll	\$258.19 H0-1945100
6400266	(RFH-2.5-1) Black 2-1/2" x 50' Roll	\$327.39 H0-3469100

T-H Marine Heavy Duty Rigging Hose



- Protects cables, hoses and wiring from elements.
- Molded polypropylene flange threaded to retain hose.
- Secures motor cables.
- Smooth interior.
- Black.

Order No.	Mfg. No. / Description	List Price
6400253	(RFH-HD1-DP) 2" x 50' Roll	\$265.99 H0-9595100

T-H Marine Rigging Flange



- An excellent system to protect cables and wiring from dirt, abrasion, sun and water.
- The rigging flange serves to connect the rigging hose, which comes from the engine, to the boat.
- The molded polypropylene flange is internally threaded to retain rigging hose and to make rigging adjustment simple.
- The back side of the flange is textured to allow inverted mounting.
- Fits 2" rigging hose.

Order No.	Mfg. No. / Description	List Price
6400252	(RF-1-DP) Black	\$15.49 H0-9290000
641957	(RF-1CP-DP) Chrome Plated	\$30.19 H0-1181000

BLACK RIGGING FLANGE KIT

- Flange kit includes: Black rigging flange with 4' of black rigging hose.

Order No.	Mfg. No. / Description	List Price
6400257	(RFK-1-DP)	\$49.99 H0-9992000

- Electronics
- Trolling Motors
- Instruments
- Electrical
- Lighting
- Anchor & Dock
- Safety
- Steering, Controls
- Pumps
- Fuel System
- Seating & Pedestals
- Trailer
- Tops & Covers
- Perform.
- Propellers
- Engine & Care
- Cleaning & Care
- Paint & Paint Acc.
- Fun & Flotation
- Topside Acc.
- Cockpit & Deck
- Hardware, Fasteners
- Camouflage
- Misc.
- Comm.

- Electronics
- Trolling Motors
- Instruments
- Electrical
- Lighting
- Anchor & Dock
- Safety
- Steering, Controls
- Pumps
- Fuel System
- Seating & Pedestals
- Trailer
- Tops & Covers
- Perform.
- Propellers
- Engine & Care
- Cleaning & Care
- Paint & Paint Acc.
- Fun & Flotation
- Topside Acc.
- Cockpit & Deck
- Hardware, Fasteners
- Camouflage
- Misc.
- Comm.

T-H Marine Rigging Flange with Fuel Hose Port and Hose Union

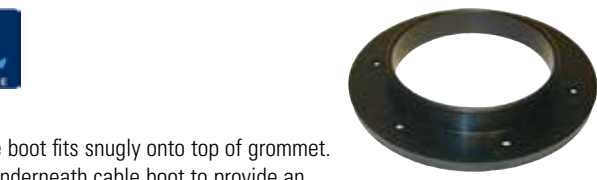


Typical Fuel Hose Assembly

- Completes professional rigging installation.
- Split design allows installation on pre-rigging boats.
- Fuel hose port fits Type "A" Hose and hose union fits Type "B" Hose.
- Installs with T-H Marine Rigging Hose.
- Complies with ABYC - NMMA Specs.

Order No.	Mfg. No. / Description	List Price
640961	(RFFHP-1-DP) Rigging Flange w/Fuel Hose Port	\$18.49 HO-9011000
640970	(RFHU-1-DP) Rigging Flange Hose Union	\$15.69 HO-1490000

T-H Marine Cable Boot Grommets



- Cable boot fits snugly onto top of grommet.
- Fits underneath cable boot to provide an internal sleeve to protect cables, hoses and wires from chafing against a rough hole cut or sharp edge.
- Fits into pass-thru hole for steering, electrical and control cables and provides a smooth, cafe-free fitting.
- Black.
- Sold each.

Order No.	Mfg. No. / Description	List Price
6400109	(CBG-2-DP) Fits 641906 (CB-2-DP) 2" Boot	\$5.99 HO-9530000
6400108	(CBG-1-DP) Fits 641907 (CB-1-DP) 3" Boot	\$6.39 HO-3830000

Moeller Plastic Tiller Rope Grommet



- Recessed mounting holes for #6 fasteners.
- Prevents damage to control cables.
- 3".
- Black.
- Sold per pair.

Order No.	Mfg. No. / Description	List Price
486568	(020101-10)	\$6.29 HO-7730000

Marpac Motor Well Boots



7-0674 and 7-0675



- Protects fuel lines, wires and cables.
- Gas and oil resistant.
- Keeps water out.
- Adjustable fit.
- Black.

Order No.	Description	List Price
7-0677	For 3" Hole	\$5.69 GO-1830000
7-0674	For 3-1/2" Hole	\$2.69 GO-0810000
7-0675	For 4-1/2" Hole	\$3.09 GO-7020000

T-H Marine Cable Boots



- Constructed of rugged black vinyl that resists ultraviolet rays, gasoline and oil.
- No longer is it necessary to split or cut your motor well boot to pass cables through. This cable boot provides a fully open area to pass wiring and cables through and when rigging is complete simply pull cable tie snug around wires and cable to complete installation.

Order No.	Mfg. No	Size	List Price
641906	(CB-2-DP)	2" Boot	\$8.19 HO-1940000
641907	(CB-1-DP)	3" Boot	\$9.59 HO-5750000
641921	(CB-4-DP)	4-1/2" Boot	\$12.39 HO-3470000
641933	(CBO-1)	3" x 6" Oval Boot	\$8.69 HO-1250000
641945	(CBO-4)	6" x 9" Oval Boot	\$11.99 HO-9170000

T-H Marine Reinforcing Rings for Cable Boots



- Installs over the base flange of T-H Marine cable boots.
- Provides a neat and tidy trim.
- Reinforces the softer vinyl cable boot to protect it from pulling thru screws due to movement of cables.
- Black.
- Sold each.

Order No.	Mfg. No. / Description	List Price
641912	(CBR-2-DP) Fits 641906 (CB-2-DP) 2" Boot	\$3.79 HO-7220000
641909	(CBR-1-DP) Fits 641907 (CB-1-DP) 3" Boot	\$3.99 HO-9320000
641914	(CBR-4-DP) Fits 641921 (CB-4-DP) 4-1/2" Boot	\$4.29 HO-7520000

Marpac Utility Grommets



- Flexible marine vinyl.
- Black.
- Sold per pair.

Order No.	Description	Max. Hole Size:	List Price	Part No.
7-0615	2-3/4" OD	1-3/4"	\$8.99	G0-2060000
7-0614	3-3/8" OD	2-3/8"	\$8.99	G0-2060000

T-H Marine Utility Grommets



- Made of tough, flexible vinyl.
- It is designed for multiple uses in boats, such as cable pass thru, landing net holder, fishing rod support or protector, stern light holder or any number of other uses.
- Black.
- Sold per pair.

Order No.	Mfg. No. / Description	Max. Hole Size:	List Price	Part No.
641767	(UG-2-DP) 2-3/4" OD	1-3/4"	\$11.79	H0-7070000
641781	(UG-1-DP) 3-3/8" OD	2-3/8"	\$12.39	H0-3470000
641793	(UG-3-DP) 4" OD	3"	\$16.69	H0-1001000

T-H Marine Zippered Rigging Sleeve - Black



- Protects your cables and hoses with this easy to remove rigging sleeve.
- Made of rugged Sunbrella fabric, this sleeve will withstand the elements and resist fading.
- Easily zips on and off to access cables or hoses when needed.
- Ends are secured by cable ties sewn into pockets.

Order No.	Mfg. No. / Description	List Price	Part No.
640950	(ZRS-1DP) Length 48"	\$65.09	H0-5093000

MPI Products Series 123 Split Conduit Tubing



- Our premium wire and cable conduit tubing creates a quality appearance in wiring systems.
- Corrugated, slit polyethylene provides excellent conduit for multiple wire or cable routing.
- An ideal product for hose abrasion protection.
- Flexible and specially formulated in accordance with UL94 V-2 tests for flammability.
- Meets tough ABYC standards.
- Is formulated for maximum resistance to UV and ozone.
- Temperature range is -40° F to 200° F.

Order No.	Mfg. No.	Size	Length	Color	List Price	Part No.
543323	(123-0146)	1/4" ID	Length 50'	Black	\$20.29	H0-7121000
543320	(123-0126)	1/2" ID	Length 50'	Black	\$25.49	H0-9251000
543321	(123-0386)	3/8" ID	Length 50'	Black	\$21.59	H0-5921000
543329	(123-0386W)	3/8" ID	Length 50'	White	\$38.19	H0-1922000
768892	(123-0586)	5/8" ID	Length 50'	Black	\$26.39	H0-3851000
543319	(123-0346)	3/4" ID	Length 50'	Black	\$32.09	H0-5291000
768917	(123-1006)	1" ID	Length 50'	Black	\$41.59	H0-5942000
768943	(123-1126)	1-1/2" ID	Length 50'	Black	\$85.19	H0-1115000
768575	(123-2006)	2" ID	Length 50'	Black	\$198.79	H0-7291100



- Lightweight, braided jacketing for bundling and protecting wires, cables and hoses.
- The unique expansion characteristics makes T-H FLEX easy to slip on.
- Braided from high temperature yarns.
- The sleeving cuts easily and cleanly with a hot knife and once installed, will beautify and protect any wire, hose or cable application.
- Chemical resistant.

Order No.	Mfg. No. / Description	Diameter	Length	List Price	Part No.
642344	(FLX-25-DP)	1/4"	Length 100'	\$51.69	H0-1013000
642352	(FLX-50-DP)	1/2"	Length 100'	\$99.09	H0-5495000
642365	(FLX-75-DP)	3/4"	Length 100'	\$133.49	H0-9008000
642377	(FLX-125-DP)	1-1/4"	Length 50'	\$103.49	H0-9026000
642389	(FLX-150-DP)	1-1/2"	Length 50'	\$134.49	H0-9608000
642391	(FLX-200-DP)	2"	Length 50'	\$149.69	H0-1898000



Dometic Baystar Outboard Hydraulic Steering

BAYSTAR™

BY  DOMETIC

Dometic BayStar hydraulic steering is brought to you by the manufacturers of Dometic, the most trusted name in pleasure boat steering. Dometic BayStar allows you to install all of the safety, reliability and comfort of hydraulic steering onto your single engine vessel with a Coast Guard approved transom/HP rating up to MAX 150 HP. Combine this with the superior design team, rigid ISO quality control and teamed with the best materials and precision manufacturing, Dometic BayStar continues the tradition bringing comfort and safety to boating.

The Dometic BayStar Steering System consists of a super low friction helm for smooth comfortable steering, a balanced cylinder - featuring a compact design that fits most splashwells. The systems are easy to install with "cut-to-length" tubing. Available in complete kits or by individual components.

Dometic BayStar is NOT recommended in applications with high steering effort (i.e. such as those using high performance engines or boats capable of attaining high speeds), customers should consider upgrading the system to Dometic Pro Steering. This will reduce the steering effort due to the fact that Dometic Steering provides more output power resulting in lower steering effort.

Dometic Baystar Outboard Hydraulic Steering Kits



- Consist of: **799885** (HH4314-3) Baystar Standard Helm, **800616** (HC4645H) Baystar Cylinder, **800587** (HT4420H) Baystar 20' Tubing Kit, **799784** (HA5438) Filler Kit and (2) **799779** (HA5430) Hydraulic Fluid, Quart.

Order No.	Mfg. No. / Description	List Price	
799114	(HK4200A-3)	\$941.49	ZO-9498500
799116	(HK4300A-3) Without Tubing	\$827.69	ZO-9753500

BAYSTAR HYDRAULIC PLUS STEERING KIT

- Consist of: **799001** (HH4514-3) Baystar Plus Helm, **800616** (HC4645H) Baystar Cylinder, **799784** (HA5438) Filler Kit and (2) **799779** (HA5430) Hydraulic Fluid, Quart.

Order No.	Mfg. No. / Description	List Price	
799120	(HK4500A-3) Without Tubing	\$910.49	ZO-9388500

Dometic Baystar Outboard Hydraulic Steering Cylinder



- Balanced cylinder, featuring a compact design that fits most splashwells and provides full engine movement.
- Requires a minimum 21" splashwell width.
- Use **800577** (HP4600) Seal Kit.
- Some installations require spacer kit **800575** (HO-5090).

Order No.	Mfg. No. / Description	List Price	
800616	(HC4645-3)	\$485.09	FO-6593300
800619	(HC4648-3) Short Plate	\$510.59	FO-1475300
800575	(HO5090) Cylinder Spacer Kit	\$31.09	FO-6712000

Dometic Baystar Outboard Hydraulic Tilt Steering Kit



- All the same features of our **799114** (HK4200A-3) Baystar Kit, but with the convenience of a tilt helm.
- Consist of: **799899** (HH4315-3) Baystar Sport Tilt Helm, **800616** (HC4645H) Baystar Cylinder, **800506** (HO-5120) 20' Hydraulic Hose and (2) **7-1087** Hydraulic Fluid, Quart.

Order No.	Description	List Price	
799102	Baystar Hydraulic Tilt Steering Kit	\$1,349.59	FO-1744900

Dometic Baystar Outboard Hydraulic Steering Helms



Helm pumps are fitted with positionable O-ring style hose fitting ports (commonly referred to as ORB). Do NOT attempt to install an NPT pipe fitting into a -3 helm hose fitting port. Doing so will lead to irreparable damage to the helm. ONLY use Dometic O-ring style hose fittings (ORB).

- 1.4 cu. in.
- Both the standard and tilt helms require a 3" cut-out hole in the dash.
- Gives 5.2 wheel turns lock to lock.
- Standard 3/4" tapered steering shaft.

Order No.	Mfg. No. / Description	List Price	
799885	(HH4314-3) Baystar Standard Helm	\$434.99	FO-9440300
799950	(HH4514-3) Baystar Plus Helm	\$478.49	FO-4943300
799899	(HH4315-3) Baystar Sport Tilt Helm	\$706.09	FO-6249400

- Electronics
- Trolling Motors
- Instruments
- Electrical
- Lighting
- Anchor & Dock
- Safety
- Steering, Controls
- Pumps
- Fuel System
- Seating & Pedestals
- Trailer
- Tops & Covers
- Perform.
- Propellers
- Engine & Care
- Cleaning & Care
- Paint & Paint Acc.
- Fun & Flotation
- Topside Acc.
- Cockpit & Deck
- Hardware, Fasteners
- Camouflage
- Misc.
- Comm.

Dometic Baystar Outboard Hydraulic Steering

Dometic Baystar Outboard Hydraulic Steering Components



Order No.	Mfg. No. / Description	List Price	F.O.B.
801060	(HT4420H) Baystar 20' Tubing Kit (2)	\$158.49	F0-4901100
801072	(HT4430H) Baystar 30' Tubing Kit (2)	\$193.29	F0-0353100
800577	(HP4600) Cylinder Seal Kit	\$110.09	F0-6077000
801387	(HS5147) Seal Kit for HH4016/4015 Helms	\$15.29	F0-0701000
800620	(HF4202) Horizontal Bleeder Tee (2 Per Kit)	\$48.59	F0-1043000

Dometic Gland Kits for Baystar Cylinder (Old Style)



- Complete assembled end gland with replacement retaining wire.
- Requires two seal kits to completely re-seal the cylinder, both port and starboard (sold separately).

Order No.	Mfg. No. / Description	List Price	F.O.B.
800580	(HP5607) Port Side Gland	\$116.59	F0-1618000
800582	(HP5608) Starboard Side Gland	\$116.59	F0-1618000

Dometic Baystar Outboard Hydraulic Steering Application Guide

Engine Manufacturer	Year	Model	Cylinder	Notes
HONDA	1992 to Date	30-50 HP	HC4645-3	2
	1996 to Date	75-90 HP	HC4645-3	
	2015 to Date	BF100	HC4645-3	
	1998 to 2010	115-130 HP	HC4647-3	
	2003 to Date	135-150 HP	HC4645-3	
	2010 to Date	115 HP	HC4645-3	
JOHNSON/EVINRUDE <small>NOTICE: Johnson 115 HP 2-Stroke engines, required the pivot plate to be flipped. See note #4.</small>	1991 to Date	40-150 HP	HC4645-3	2
	1997 to Date	115 HP FICHT	HC4658-3	4
	1997 to Date	75-150 HP FICHT	HC4645-3	5
	1998 to Date	40-140 HP 4-Stroke	HC4658-3	1, 2, 4
MERCURY/MARINER	1984 to Date	75-150 HP	HC4645-3	5
	1998 to Date	40-60 HP	HC4648-3	1, 2
SELVA	2000 to Date	25-70 HP	HC4648-3	1, 2
	2000 to Date	90-150 HP 4-Stroke	HC4645-3	5
	2011 to 2013	115 HP	HC4658-3	
SUZUKI	1986 to Date	150 HP	HC4645-3	5
	1987 to 2002	115-140 HP	HC4645-3	1
	1990 to 2000	90-100 HP	HC4645-3	
	1998 to Date	40-70 HP 4-Stroke	HC4645-3	1, 2
	2001 to Date	90-140 HP 4-Stroke	HC4658-3	1, 4
TOHATSU	1990 to Date	40-140 HP	HC4645-3	2
	2014 to Date	BFT60-BFT150	HC4645-3	
YAMAHA	1998 to Date	40-50 HP	HC4645-3	2
	1998 to Date	60 HP	HC4645-3	3
	1986 to Date	70-90 HP 2-Stroke	HC4645-3	1
	1997 to Date	80-150 HP 4-Stroke	HC4645-3	5
	2000 to Date	25-70 HP 4-Stroke	HC4648-3	1, 2
	2011 to Date	F115A Inc. SHO 90 & 115	HC4658-3	
	2014 to Date	F115B	HC4645-3	

1. Requires Spacer Kit **800575** (HO5090).
2. Engine clamp brackets must be cut or ground, and the engine through bolted onto the transom, or interference will occur, restricting engine trim and tilt.
3. Steering hook Yamaha Part #63D-48511-004D must be installed.
4. Cylinder **800616** (HC4645H) may be used in these applications. The pivot plate will need to be flipped before installation. Instructions provided with Owner's Manual.
5. High performance 150 HP engines or Command Thrust engines MUST use Dometic.

Dometic Baystar Cylinder Pivot Plates



HA4640
Comes with cylinder HC4645H



HA4641
Converts HC4645H to HC4647H



HA4642
Converts HC4645H to HC4648H



HA4643
Converts HC4645H to HC4658H

NOTICE: HC4645H compact cylinder is included in the BayStar Steering Kits. If your engine requires the use of a cylinder other than HC4645H or HC4658H then please refer to the figures to the right for additional replacement pivot plate. Available Special Order Only.

- Electronics
- Trolling Motors
- Instruments
- Electrical
- Lighting
- Anchor & Dock
- Safety
- Steering, Controls
- Pumps
- Fuel System
- Seating & Pedestals
- Trailering
- Tops & Covers
- Perform.
- Propellers
- Engine & Care
- Cleaning & Care
- Paint & Paint Acc.
- Fun & Flotation
- Topside Acc.
- Cockpit & Deck
- Hardware, Fasteners
- Camouflage
- Misc.
- Comm.

- Electronics
- Trolling Motors
- Instruments
- Electrical
- Lighting
- Anchor & Dock
- Safety
- Steering, Controls**
- Pumps
- Fuel System
- Seating & Pedestals
- Trailer
- Tops & Covers
- Perform.
- Propellers
- Engine & Care
- Cleaning & Care
- Paint & Paint Acc.
- Fun & Flotation
- Topside Acc.
- Cockpit & Deck
- Hardware, Fasteners
- Camouflage
- Misc.
- Comm.

Dometic Outboard Hydraulic Steering Packages

Dometic Front Mount Outboard Hydraulic Steering Package



MUST ORDER HOSE KIT SEPARATELY PAGE 455



- Provides easier and smoother steering than any other competitive systems.
- Standard 3/4" tapered steering wheel shaft.
- Suitable for most major outboard engine brands.
- Single engine, threaded tilt tube 350 HP maximum.
- Dual engines, threaded tilt tube 450 HP maximum combined. (Order tie bar separately.)
- Consist of:
 - (1) **800000** (HH5271-3) Helm
 - (1) **800639** (HC-5345-3) Front Mount Cylinder
 - (2) **799779** (HA5430) Hydraulic Fluid, Quart
 - Fittings for most applications
- Please refer to a cylinder application chart when ordering.

Order No.	Mfg. No. / Description	List Price	ZO-9638800
799126	(HK6400A-3) Package without Hose	\$1,407.79	

Dometic Pro Front Mount Outboard Hydraulic Steering Package



MUST ORDER HOSE KIT SEPARATELY PAGE 455



- For Performance Boats
- High-speed straight course running with instant steering response.
- High power/speed (50 mph/150 HP and up) outboard boats.
- Precision built and easy to install.
- Typical applications: Bass, Ski and other high speed outboard powered boats.
- Designed for long life in a marine environment.
- Suitable for most major outboard engine brands.
- Single engine, threaded tilt tube 300 HP maximum.
- Consist of:
 - (1) **799900** (HH5770-3) Pro Helm
 - (1) **800745** (HC6345-3) Pro Front Mount Cylinder
 - (2) **799779** (HA5430) Hydraulic Fluid, Quart
- Please refer to cylinder application chart when ordering.

Order No.	Mfg. No. / Description	List Price	ZO-9530900
798125	(HK7500A-3) Package without Hose	\$1,327.59	

Dometic Dual Front Mount Outboard Hydraulic Steering Package



MUST ORDER TIE BAR SEPARATELY PAGE 452

- Consist of:
 - (1) **800013** (HH5272-3) Helm
 - (2) **800639** (HC5345-3) Front Mount Cylinders
 - (1) **800400** (HO-5102) 2' Hose Kit
 - (1) **800422** (HO-5104) 4' Hose Kit
 - (1) **800506** (HO-5120) 20' Hose Kit
 - (3) **801706** (HF-5530) 3/8" Tee Fitting
 - (3) **799779** (HA5430) Hydraulic Fluid, Quart

- Provides easier and smoother steering than any other competitive system.
- Standard 3/4" tapered steering wheel shaft.
- Designed for long life in a marine environment.
- Precision built and easy to install.
- Suitable for most major outboard engine brands.
- Dual engines, threaded tilt tube 600 HP maximum combined.

Order No.	Description	List Price	F0-2453910
799405	Outboard Hydraulic Steering Package	\$2,764.89	

Domestic Outboard Hydraulic Steering Packages

Domestic Classic Tilt Helm Outboard Hydraulic Steering Package



- Domestic tilt steering's strong design and versatility mean style, durability and comfort for almost any boat!
- 5 wheel positions allow adjustment to the most comfortable steering position.
- 48° tilt range (18 down - 30 up).
- Standard 3/4" tapered steering wheel shaft.
- Consist of:
 - (1) **800045** (HH6541-3) Classic Tilt Helm
 - (1) **800639** (HC5345-3) Front Mount Cylinder
 - (2) **799779** (HA5430) Hydraulic Fluid, Quart

MUST ORDER HOSE KIT SEPARATELY PAGE 455

Order No.	Mfg. No. / Description	List Price	ZO-9609010
799146	(HK6400TC-3) Package without Hose	\$1,719.59	

Domestic Sport Tilt Helm Outboard Hydraulic Steering Package



- Domestic tilt steering's strong design and versatility mean style, durability and comfort for almost any boat!
- 5 wheel positions allow adjustment to the most comfortable steering position.
- 48° tilt range (12 down - 36 up).
- Standard 3/4" tapered steering wheel shaft.
- Consist of:
 - (1) **805258** (HH6191-3) Sport Tilt Helm
 - (1) **800639** (HC5345-3) Front Mount Cylinder
 - (2) **799779** (HA5430) Hydraulic Fluid, Quart

MUST ORDER HOSE KIT SEPARATELY PAGE 455

Order No.	Mfg. No. / Description	List Price	ZO-9609010
799140	(HK6400TS-3) Package without Hose	\$1,719.59	

Domestic Classic Tilt Helm Outboard Hydraulic Steering Packages



- Domestic tilt steering's strong design and versatility mean style, durability and comfort for almost any boat!
- 5 wheel positions allow adjustment to the most comfortable steering position.
- 48° tilt range (18 down - 30 up).
- Standard 3/4" tapered steering wheel shaft.
- Consist of:
 - (1) **800045** (HH6541-3) Classic Tilt Helm
 - (1) **800639** (HC5345-3) Front Mount Cylinder
 - (1) Hose Kit
 - (2) **799779** (HA5430) Hydraulic Fluid, Quart

Order No.	Description	List Price	F0-6442310
799293	16' Hose Kit	\$1,892.09	
799291	20' Hose Kit	\$1,894.09	
799295	24' Hose Kit	\$1,946.19	

Domestic Sport Tilt Helm Outboard Hydraulic Steering Packages



- Domestic tilt steering's strong design and versatility mean style, durability and comfort for almost any boat!
- 5 wheel positions allow adjustment to the most comfortable steering position.
- 48° tilt range (12 down - 36 up).
- Standard 3/4" tapered steering wheel shaft.
- Consist of:
 - (1) **805258** (HH6191-3) Sport Tilt Helm
 - (1) **800639** (HC5345-3) Front Mount Cylinder
 - (1) Hose Kit
 - (2) **799779** (HA5430) Hydraulic Fluid, Quart

Order No.	Description	List Price	F0-5995310
799287	16' Hose Kit	\$1,942.79	
799289	20' Hose Kit	\$1,944.79	
799290	24' Hose Kit	\$1,996.79	

- Electronics
- Trolling Motors
- Instruments
- Electrical
- Lighting
- Anchor & Dock
- Safety

Steering, Controls

- Pumps
- Fuel System
- Seating & Pedestals
- Trailering
- Tops & Covers
- Perform.
- Propellers
- Engine & Care
- Cleaning & Care
- Paint & Paint Acc.
- Fun & Flotation
- Topside Acc.
- Cockpit & Deck
- Hardware, Fasteners
- Camouflage
- Misc.
- Comm.

Dometic Outboard Hydraulic Steering Helms



The Dometic helm pump is the heart of the hydraulic steering system. Dometic helm pumps are the product of many years of research and experience by the world's foremost builder of manual hydraulic steering systems. Our efforts have resulted in a design which represents the ultimate in efficiency, safety and reliability, yet is easy to install and maintain. Superior design, teamed with the finest materials, precision manufacturing and rigid quality control all add up to an outstanding product which is certain to set industry standards for years to come.

Dometic Front Mount Steering Helms



- Compact, stylish design.
- Convenient front of dash fill.
- Small 3" hole cutout on dash.
- Can be retrofitted into old Dometic 4.5" hole cutout.
- Relief valve setting: 1,000 PSI (70 BAR).
- Complete with elbow fittings.
- Use **801298** (HP6032) Seal Kit.

Order No.	Mfg. No. / Description	List Price	
800000	(HH5271-3) 1.7 cu. in.	\$675.29	F0-0727400
805347	(HH5273-3) 2.0 cu. in.	\$780.69	F0-8464500
800013	(HH5272-3) 2.4 cu. in.	\$762.89	F0-2043500
805549	(HH5285-3) 3.0 cu. in.	\$946.89	F0-2826600

Dometic Commercial Front Mount Steering Helm



- Specifically designed to be used on smaller fishing vessels involved in the Lobster and Crabbing Industries.
- Designed with a stainless steel shaft and heavy duty shaft seal and wiper.
- This new shaft and seal help protect the Helm Pump from the abrasive effects of sediment that is brought on board by the operator handling traps or pots.
- Relief valve setting: 1,000 PSI (70 BAR).
- Use **801325** (HP6037) Seal Kit.

Order No.	Mfg. No. / Description	List Price	
805222	(HH5217-3) 1.7 cu. in.	\$709.29	F0-0569400

Dometic Classic Tilt Steering Helms



- 5 wheel positions allow adjustment to most comfortable steering position.
- 48° tilt range (18° down - 30° up).
- Convenient front of dash fill.
- 4.5" dash cutout.
- Relief valve setting: 1,000 PSI (70 BAR).
- Complete with elbow fittings.
- Use **801298** (HP6032) Seal Kit.

Order No.	Mfg. No. / Description	List Price	
800045	(HH6541-3) 1.7 cubic inch	\$972.19	F0-3508600
800050	(HH6542-3) 2.4 cubic inch	\$1,153.29	F0-0370800

Dometic Sport Tilt Steering Helms



- 5 wheel positions allow adjustment to most comfortable steering position.
- 48° tilt range (12° down - 36° up).
- Remote fill point.
- 3" dash cutout.
- Relief valve setting: 1,000 PSI (70 BAR).
- Complete with elbow fittings.
- Use **801298** (HP6032) Seal Kit.

Order No.	Mfg. No. / Description	List Price	
805258	(HH6191-3) 1.7 cu. in.	\$1,023.39	F0-7361700
805474	(HH6192-3) 2.4 cu. in.	\$1,091.49	F0-4046700

Dometic Sport Plus Tilt Steering Helm



- Pre-loaded dual taper bearings ensures minimal excess free play.
- Shaft seals to prevent water ingress.
- 48° of tilt articulation.
- 5 positive lock positions.
- Fits most styled and formed dashes.
- Relief valve setting: 1,000 PSI (70 BAR).
- Complete with elbow fittings.
- Use **801298** (HP6032) Seal Kit.

Order No.	Mfg. No. / Description	List Price	
805272	(HH6491-3) 1.7 cu. in.	\$1,086.79	F0-5706700

Dometic Rear Mount Steering Helms



- Behind dash mounting configuration.
- Remote fill point.
- 1-1/16" hole required.
- Relief valve setting: 1,000 PSI (70 BAR).
- Complete with elbow fittings.
- Use **801298** (HP6032) Seal Kit.

Order No.	Mfg. No. / Description	List Price	
802303	(HH5261-3) 1.7 cu. in.	\$738.89	F0-2271500
802512	(HH5262-3) 2.4 cu. in.	\$897.09	F0-6972600

Dometic PRO Outboard Hydraulic Steering Helms

Dometic PRO Front Mount Steering Helms



- For high-performance boats with single non-power-assisted outboards up to 350 HP.
- Suited for all those critical high speed, single powered outboard boats, like Bass, Flats, Combo Race/Ski and other performance boats capable of speeds in excess of 65 MPH.
- Small 3" hole cutout on dash.
- Relief valve setting: 1,500 PSI (103 BAR).
- Use **801298** (HP6032) Seal Kit.

Order No.	Mfg. No. / Description	List Price	
805753	(HH5779-3) 1.7 cu. in.	\$575.09	F0-6520400
805854	(HH5770-3) 2.0 cu. in.	\$713.99	F0-9799400

Dometic PRO Sport Tilt Steering Helm



- 5 wheel positions allow adjustment to most comfortable steering position.
- 48° tilt range (12° down - 36° up).
- Remote fill point.
- 3" dash cutout.
- Relief valve setting: 1,500 PSI (103 BAR).
- Complete with elbow fittings.
- Use **801298** (HP6032) Seal Kit.

Order No.	Mfg. No. / Description	List Price	
805880	(HH6190-3) 2.0 cu. in.	\$995.59	F0-1969600

Dometic PRO Classic Tilt Steering Helm



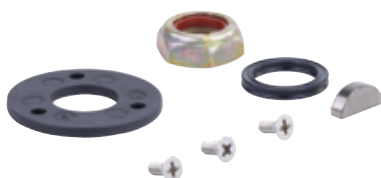
- Relief valve setting: 1,500 PSI (103 BAR).
- Use **801298** (HP6032) Seal Kit.

Order No.	Mfg. No. / Description	List Price	
805878	(HH6574-3) 2.0 cu. in.	\$995.59	F0-1969600



Dometic Steering Helm Service and Seal Kits

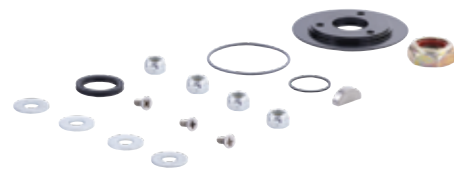
Dometic Helm Service Kit



- Kit includes:
- | Dometic # | Description | Qty. |
|-----------|--|--------|
| 747521 | Wheel Shaft Lock Nut, 5/8" NF, Jam Nylon | 1 each |
| 067424 | Nut, 1/4" NC Nyloc | 4 each |
| 201429 | Washer, 1/4" Flat SS | 4 each |
| 260130 | Woodruff Key | 1 each |
| 225226 | Quad Ring Seal .210 70DUR N | 1 each |
| 763721 | Top Plate | 1 each |

Order No.	Mfg. No. / Description	List Price	
801298	(HP6032)	\$11.39	F0-7970000

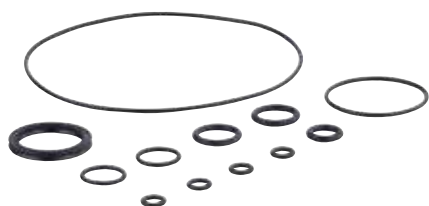
Dometic Commercial Helm Service Kit



- Kit includes:
- | Dometic # | Description | Qty. |
|-----------|--|--------|
| 747521 | Wheel Shaft Lock Nut, 5/8" NF, Jam Nylon | 1 each |
| 225226 | Quad Ring Seal .210 70DUR N | 1 each |
| 260130 | Woodruff Key | 1 each |
| 793687 | Plate Seal M/C Alum | 1 each |
| 798567 | O Ring N06745329 70DUR N | 1 each |
| 827926 | B/U Ring 8-018 90DNO300 | 1 each |
| 798676 | O Ring N06745102 70DUR N | 3 each |
| 826025 | FHMS # 8-32X 3/8 SS + UC | 3 each |
| 067424 | Nut, 1/4" NC Nyloc | 4 each |
| 210429 | Washer 1/4 Flat BS/USS ZP | 4 each |

Order No.	Mfg. No. / Description	List Price	
801325	(HP6037)	\$79.39	F0-7555000

Dometic Replacement Helm Seal Kit



- For Dometic 1.7 and 2.4 helm pumps manufactured from 1984 thru 1989.

Order No.	Mfg. No. / Description	List Price	
801400	(HS5151)	\$48.59	F0-1043000

Dometic Replacement Helm Seal Kit



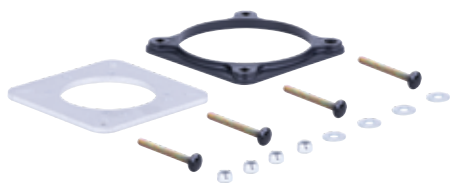
- For Dometic Baystar 1.6 Helm Pump (HH4015, HH4016).

Order No.	Mfg. No. / Description	List Price	
801387	(HS5147)	\$15.29	F0-0701000

- Electronics
- Trolling Motors
- Instruments
- Electrical
- Lighting
- Anchor & Dock
- Safety
- Steering, Controls
- Pumps
- Fuel System
- Seating & Pedestals
- Trailering
- Tops & Covers
- Perform.
- Propellers
- Engine & Care
- Cleaning & Care
- Paint & Paint Acc.
- Fun & Flotation
- Topside Acc.
- Cockpit & Deck
- Hardware, Fasteners
- Camouflage
- Misc.
- Comm.

Dometic Steering Helm Accessories

Dometic Backplate Kit



- Used to retrofit a new Dometic standard helm in the old 4.5" diameter hole, or reduce the helm protrusion from the dash by the thickness of the dash, or retrofit new Dometic standard helm into hole cutouts for mechanical and hydraulic steering systems.

Order No. Mfg. No. / Description List Price
799847 (HA5418) **\$44.79** F0-5313000

Dometic Round Bezel



- Reduces the distance the helm protrudes from the front of the dash to 3.75".

Order No. Mfg. No. / Description List Price
799835 (HA5478) **\$179.99** F0-9952100

Dometic Steering Wheel Bushing



- Solid brass construction.
- Adapts 1" straight steering wheel hub to 3/4" tapered helm shaft.
- Capilano Helms Only.

Order No. Mfg. No. / Description List Price
803014 (HB0573) **\$39.79** F0-5872000

Dometic 20° Wedge Kit



- This kit is designed to mount the helm at a 20° angle to the mounting surface.
- Four possible mounting configurations are available.
- **Note:** Not for use with Baystar helm pumps.

Order No. Mfg. No. / Description List Price
799811 (HA5419) **\$88.49** F0-4916000

Dometic Non-Vented Filler Plug



Order No. Mfg. No. / Description List Price
801224 (HA5432) **\$13.59** F0-1590000

Dometic Vent Plug



- Supplied with Dometic Helm Pump.
- Must be used with helm pump on all single steering station systems.
- Must be used on uppermost helm pump on multi-steering station systems.
- Sold in packs of 5, priced each.

Order No. Mfg. No. / Description List Price
801220 (HP6126) Black **\$8.39** F0-7850000

Dometic Filler Kit



- This kit is needed to properly bleed the Dometic outboard steering kit.
- Screws onto the Dometic and equivalent fluid to bleed the Dometic system.
- For use on Dometic's Helm I/O, O/B and I/B engine pumps for boats up to 40'.
- Includes: Tube and pushpin to vent and re-seal Dometic HA5430 Oil bottle (Not included).

Order No. Mfg. No. / Description List Price
799784 (HA5438) **\$21.09** F0-6741000

Dometic Fill and Vent Plug Kit



- This kit will facilitate filling and purging of the steering system at a more convenient and accessible area than the helm pump.
- A through dash fitting, complete with a waterproof vent plug, 18" long vinyl tube and elbow fittings are supplied with this kit.

Order No. Mfg. No. / Description List Price
802997 (HA5450) **\$70.89** F0-2694000

Dometic Power Assist



DOMETIC POWER ASSIST - 12/24 VOLT

- 1,000 psi maximum system peak pressure. Relief pressure: 2,000 psi.

Order No. Mfg. No. / Description List Price
797906 (PA1200-2) **\$2,260.79** Z0-9236510

DOMETIC POWER ASSIST PRO - 12/24 VOLT

- 1,500 psi maximum system peak pressure. Relief pressure: 2,000 psi.

Order No. Mfg. No. / Description List Price
797912 (PA1315-2) **\$2,306.39** Z0-9849510

- Highly recommended on any 150 HP and above outboard application to give your boat the same, easy steering you are accustomed to in your car.
- Also recommended for the following: Twin and Triple engine applications, Bass Boats, Pontoon Boats (150 HP+), Power Catamarans, Inboard powered cruisers without engine driven power assist.
- Uses an electronically controlled on-demand hydraulic pump to provide "Power" for your Dometic Hydraulic Steering System.
- Comprised of two circuits: A hand operated manual system, which is the control element and a hydraulic power pump, which is the working element.
- Harness length: 15'.



- Electronics
- Trolling Motors
- Instruments
- Electrical
- Lighting
- Anchor & Dock
- Safety
- Steering, Controls
- Pumps
- Fuel System
- Seating & Pedestals
- Trailering
- Tops & Covers
- Perform.
- Propellers
- Engine & Care
- Cleaning & Care
- Paint & Paint Acc.
- Fun & Flotation
- Topside Acc.
- Cockpit & Deck
- Hardware, Fasteners
- Camouflage
- Misc.
- Comm.



Dometic Front Mount Outboard Hydraulic Steering System



- Dometic Outboard Hydraulic Steering offers many models of steering cylinders to suit most applications.
- The standard and most commonly used model is the Front Mount steering cylinder.
- Before ordering it is necessary to determine the best possible application for your boat, taking into account the hull design, speed and usage of the boat.
- Keep in mind that engines today have become larger, more powerful and heavier than in the past.

Dometic Front Mount Outboard Installation Recommendations

ENGINE	NORMAL USE	AGGRESSIVE USE (SEE NOTE 1)
	DOMETIC FRONT MOUNT	DOMETIC TOURNAMENT SERIES (See Note 1)
SINGLE ENGINE	SINGLE CYLINDER 350 HP Maximum • 75 MPH Maximum HC53XX-3 Cylinder (See Note 2)	SINGLE CYLINDER 350 HP Maximum HC63XX-3 Pro Cylinder (See Note 2 & 3) or HC6845S
DUAL ENGINE NON COUNTER ROTATING	SINGLE CYLINDER 450 HP Maximum • 55 MPH Maximum HC53XX-3 Cylinder HO60XX Tie Bar	SINGLE CYLINDER Tournament Cylinders
	DUAL CYLINDER Tournament Cylinders HC53XX-3 Cylinder HO60XX Tie Bar	DUAL CYLINDER Tournament Cylinders
DUAL ENGINE COUNTER ROTATING	SINGLE CYLINDER 600 HP Maximum • 55 MPH Maximum HC53XX-3 Cylinder HO60XX Tie Bar	SINGLE CYLINDER Tournament Cylinders
	DUAL CYLINDER 600 HP Maximum • 55 MPH Maximum HC53XX-3 Cylinder HO60XX Tie Bar	DUAL CYLINDER Tournament Cylinders
TRIPLE ENGINE ONE WITH COUNTER ROTATING	DUAL CYLINDER 600 HP Maximum • 55 MPH Maximum HC53XX-3 Cylinder HO60XX Tie Bar *MAX center engine drop <.75"	DUAL CYLINDER Tournament Cylinders
	TRIPLE CYLINDER 900 HP Maximum • 55 MPH Maximum HC53XX-3 Cylinder HO60XX Tie Bar *MAX center engine drop <.75"	Consult Dometic Technical Service

Note 1: Dometic has specific steering equipment for boats that are driven aggressively, used in severe conditions or with more than 300 HP per engine.

Note 2: **ALL ENGINES** over 300 HP and all boats that are driven aggressively must use a high strength tiller bolt, kit part **799852** (HA5822). All front mount cylinders built after June 15, 2007 will have this high strength bolt included in the box. High strength tiller bolts can be identified by the marking "DOMETIC ARP" on the head of the bolt.

Note 3: HC63xx PRO Cylinders are designed for all those critical high speed, single outboard engine boats, such as Bass, Flats combo Race/Ski and other performance orientated boats capable of speeds in excess of 65 mph. For optimal performance, the use of Dometic PRO helms and PRO Hoses are recommended.

Dometic Front Mount Outboard Hydraulic Cylinders

- Independent engine tilt for twin engine installations.
- 5 turns lock to lock steering response (1.7 standard system).
- Suitable for use with all Dometic Helms and Dometic Power Assist.
- State of the art proprietary sealing system offers excellent resistance to repeated compression set and is designed to better withstand the harsh environment.
- Cylinder now fitted with Positionable O-ring fittings (ORB).
- Some installations require spacer kit **800575** (HO-5090).

Order No.	Mfg. No. / Description	List Price	
800639	(HC5345-3)	\$756.89	F0-2892500
800622	(HC5347-3) Honda 115-130 HP, 1998-09	\$854.49	F0-4189500
800055	(HC5445-3) Honda BF200-250 HP, 2001-Date	\$811.49	F0-4086500
800643	(HC5348-3)	\$854.49	F0-4189500
800735	(HC5358-3)	\$779.49	F0-4654500
800690	(HC5358SIL-3) Silver	\$938.29	F0-0865600



Electronics

Trolling Motors

Instruments

Electrical

Lighting

Anchor & Dock

Safety

Steering, Controls

Pumps

Fuel System

Seating & Pedestals

Trailer

Tops & Covers

Perform.

Propellers

Engine & Care

Cleaning & Care

Paint & Paint Acc.

Fun & Flotation

Topside Acc.

Cockpit & Deck

Hardware, Fasteners

Camouflage

Misc.

Comm.



Dometic Front Mount Outboard Hydraulic Steering Application Guide

Single Engine Application Guide

Twin Engine Application Guide

Year	Model	Cylinder	Notes
HONDA			
1996-Date	75-90 HP	HC5345-3	
1998-2009	115-130 HP	HC5347-3	
1998-Date	30-50 HP	HC5345-3	1
2001-Date	BF150 HP	HC5345-3	3
2001-Date	BF200-250 HP	HC5445-3	
2003-Date	BF135 HP	HC5345-3	
2010-Date	115 HP	HC5345-3	
2015-Date	BF100 HP	HC5345-3	

Year	Model	Cylinder	Tie Bar Kits		Notes
			Single Cylinder	Dual Cylinder	
HONDA					
1996-Date	75-90 HP	HC5345-3	HO6001	HO6002	3
1998-2009	115-130 HP	HC5347-3	HO5063	HO5064	5
1998-Date	30-50 HP	HC5345-3	HO6001	HO6002	2
2001-Date	150 HP 4-Stroke	HC5345-3	HO6001	HO6002	8
2001-Date	BF200-250 HP	HC5445-3	HO6001	HO6002	
2003-Date	BF135 HP	HC5345-3	HO6003	HO6002	
2011-Date	115 HP	HC5345-3	HO6003	HO6002	
2015-Date	BF100 HP	HC5345-3	HO6003	HO6002	7

JOHNSON/EVINRUDE			
1991-Date	40-300 HP	HC5345-3	Inc. ETech
1997-2006	75-300 HP Ficht	HC5345-3	
1998-Date	40-140 HP 4-Stroke	HC5358-3	1
2000-2003	115 HP FICT	HC5358-3	1
2002-Date	200-225 HP 4-Stroke	HC5345-3	
2007-Date	200-250 HP 3.3L V6	HC5345-3	Inc. H.O. Models

JOHNSON/EVINRUDE					
1991-Date	40-300 HP	HC5345-3	HO6003	HO6002	Inc. ETech
1996-Date	75-250 HP Ficht	HC5345-3	HO6003	HO6002	
1998-Date	40-140 HP 4-Stroke	HC5358-3	HO6003	HO6002	2
2000-Date	115 HP FICT	HC5358-3	HO6003	HO6002	2
2002-Date	200-225 HP 4-Stroke	HC5345-3	HO6003	HO6002	
2005-Date	E250 DPX Vindicator	HC5348-3	HO6003	HO6002	
2007-Date	200-250 HP 3.3L/3.4L	HC5345-3	HO6003	HO6002	Inc. H.O. Models

MERCURY			
1989-Date	75-300 HP	HC5345-3	
1998-Date	30-60 HP	HC5348-3	1
2003-Date	150-300 HP XS	HC6345-3	
2004-Date	150-200 HP Verado	HC5345-3	
2017-Date	175/200/225 HP 3.4L V6	HC5345-3	
2018-Date	250-300 HP 4.6L V8	HC5345-3	2

MERCURY					
1989-Date	75-300 HP	HC5345-3	HO6001	HO6002	3
1996-Date	75-200 HP 2 & 4-Stroke	HC5345-3	HO6001	HO6002	8
1998-Date	30-60 HP	HC5345-3	HO6001	HO6002	2
2002-2003	225 HP 4-Stroke	HC5358-3	HO6001	HO6002	1
2004-Date	150-200 HP Verado	HC5345-3	HO6001	HO6002	
2003-Date	150-200 HP XS				
2003-Date	250-300 HP XS				
2016-Date	150 HP 3.0L 4-Stroke	HC5345-3	N/A	HO5520	9
2017-Date	175-225 HP 3.4L V6	HC5345-3	HO6001	HO6002	
2018-Date	250-300 Pro XS 4.6L	HC6345-3	HA5521	HA5520	9

OXE			
2017-Date	200 HP Diesel I4 2.4L	HC5345-3	

SELVA			
2000-2013	90-115 HP	HC5358-3	
2014-Date	115 HP	HC5345-3	
2000-Date	150 HP	HC5345-3	
2007-Date	200-300 HP 4.2L V6	HC5345-3	

OXE					
2017-Date	200 HP Diesel I4 2.4L				

SUZUKI					
1986-2000	DT100 HP	HC5345-3			
1998-Date	40-140 HP 4-Stroke	HC5358-3			1
1986-2002	115-140 HP	HC5345-3			Not 1996
1986-2013	150-225 HP 2 & 4-Str.	HC5345-3			
2004-Date	DF200-300 HP 3.6-4.0L V6	HC5345-3			
2013-Date	150-200 HP 4 Cylinder	HC5358-3			
2017-Date	DF325-350 HP 4.4L V6	HC5345-3			

TOHATSU			
1990-Date	40-140 HP	HC5345-3	
2014-Date	BFT60-BFT150	HC5345-3	
2014-Date	BFT200-BFT250	HC5445-3	

YAMAHA					
1990-2007	40-90 HP 2-Stroke	HC5345-3	HO6003	HO6002	
1986-Date	100-250 HP 2-Stroke	HC5345-3	HO6001	HO6002	
2000-Date	150-300 HP DI	HC5345-3	HO6001	HO6002	
2001-2003	80-250 HP 4-Stroke	HC5358-3	HO6001	HO6002	1
2003-Date	F150-F250 HP 3.3L	HC5358-3	HO6001	HO6002	
2003-Date	25-70 HP 4-Stroke	HC5348-3	HO6003	HO6002	2
2007-Date	200-300 HP 4.2L V6	HC5345-3	HO6001	HO6002	
2007-Date	F300-F350 HP 5.3 V8				
2011-Date	F115A SHO 90/115 HP	HC5358-3	HO6003	HO6002	
2014-Date	F115B	HC5345-3	HO6001	HO6002	

YAMAHA			
1990-2003	40-90 HP 2-Stroke	HC5345-3	1
1986-Date	100-300 HP 2-Stroke	HC5345-3	
1997-Date	80-250 HP 4-Stroke	HC5345-3	
2000-Date	150-300 HP DI	HC5345-3	
2003-Date	25-70 HP 4-Stroke	HC5348-3	1
2007-Date	200-300 HP 4.2L V6 4-Str.	HC5345-3	
2007-Date	F300-F350 HP 5.3L V8	HC5345-3	3
2011-Date	F115A SHO 90/115 HP	HC5358-3	
2012-Date	150-200 HP 2.8L 4 Cyl.	HC5345-3	
2014-Date	F115B	HC5345-3	

Note 1: HC5345-3 is optional for **SINGLE ENGINE ONLY** applications. **DO NOT** use HC5345-3 for twin engine applications as operational interference may occur.

Note 2: Requires Spacer Kit **802363** (HO5090).

Note 3: Minimum Engine Center = 27".

Note 4: May require extensive cowling modifications.

Note 5: HO5030 and HO5064 comes without Tie Bar.

Note 6: One cylinder per engine. Must use Mercury supplied tiller bolt for installation.

Note 7: Customer supplied SS washer must be installed under rod engine.

Note 8: Slight interference may occur with HO6001 tie bar, contact Dometic technical support.

Note 9: Refer to table on Page for tie bar part number.

Note 1: Requires Spacer Kit **802363** (HO5090).

Note 2: PRO XS **MUST** use HC6345-3

Note 4: May require extensive cowling modifications.

Note 3: Optional cylinder part HC5358-3. Slight interference may occur when using the HC5358-3, with the engine in the full tilt position.

- Electronics
- Trolling Motors
- Instruments
- Electrical
- Lighting
- Anchor & Dock
- Safety
- Steering, Controls
- Pumps
- Fuel System
- Seating & Pedestals
- Trailer
- Tops & Covers
- Perform.
- Propellers
- Engine & Care
- Cleaning & Care
- Paint & Paint Acc.
- Fun & Flotation
- Topside Acc.
- Cockpit & Deck
- Hardware, Fasteners
- Camouflage
- Misc.
- Comm.

Dometic Catamaran Front Mount Outboard Hydraulic System

Dometic Catamaran Front Mount Outboard Hydraulic Cylinders



- The Dometic Front Mount Pivot Cylinder is for Catamaran designs.
- This cylinder will fit ALL engines that require HC5375-3 steering cylinder.
- The internal o-ring is designed to limit the amount of fluid bypass decreasing the amount of re-alignment.
- This cylinder is best used in applications that require a liquid tie bar.
- NOT recommended for single engine applications.

Order No. Mfg. No. / Description List Price
800655 (HC5375-3) **\$968.09** F0-6677600

Dometic Liquid Tie Bar Valve



- Allows for the periodic required realignment of two outboard motors or rudders that are linked together with a hydraulic tie bar as opposed to a solid link or a mechanical tie bar.
- A standard helm and Dometic hoses may be used on vessels not exceeding speeds of 55 mph.
- For vessels exceeding speeds of 55 mph a Dometic Pro helm and Pro hoses must be used.

Order No. Mfg. No. / Description List Price
802404 (HA5471-2) **\$401.29** F0-0908200

Dometic Side Mount Outboard Hydraulic Steering System

Engine/Cylinder Configuration	Description	Qty. Req.	Model	Part #
SINGLE ENGINE (Single Cylinder) Applications up to 300 HP Maximum Number of Turns: 4.8/5.7	Cylinder	1	Side Mount	HC5370-3
	Helm	1	Dometic	HH5271-3
	Hose Kit	1	Outboard Hose	H051xx
	Steering Fluid	3	Dometic Fluid	HA5430
	FOR EXTRA STEERING STATIONS ADD:			
	Helm	1	Dometic	HH5271-3
	Fitting Kit	1	Add A Station	HF6007
	Hose Kit	1	Outboard Hose	H051xx
	Steering Fluid	1	Dometic Fluid	HA5430
OPTIONAL EQUIPMENT	Back Plate Kit (For Standard Helms)			HA5418
	20 Degree Wedge (For Standard Helms)			HA5419
	Autopilot Fitting Kit (For All -3 Helms)			HF6007
	Power Assist Steering			PA1200-2



- Alternative to front mount cylinder.
- Unbalanced cylinder with 4.8/5.7 turns lock-to-lock (1.7 helm).
- Suitable for installation in shallow splashwells.
- Single and multiple outboard engine installations with total power to 600 HP in twin counter rotating application.
- Typical applications include center console fishboats and cruisers.
- Note: Not for use with Dometic Pro helms.

Order No. Mfg. No. / Description List Price
800652 (HC5370-3) **\$578.29** F0-0840400
801510 (HP6088) Seal Kit for HC5370-3 **\$148.59** F0-1040100
801503 (HS1513) Seal Kit for Older HC5370 & HC5371 **\$57.69** F0-8304000

Dometic Splashwell Mount Outboard Hydraulic Steering System

Engine/Cylinder Configuration	Component Description	Qty. Req.	Model	Part #
SINGLE ENGINE (Single Cylinder) Applications up to 300 HP Maximum Number of Turns: 5.5/6.5	Cylinder	1	Splashwell	HC5380-3
	Helm	1	Dometic	HH5271-3
	Hose Kit	1	Outboard Hose	H051xx
	Steering Fluid	3	Dometic Fluid	HA5430
	FOR EXTRA STEERING STATIONS ADD:			
	Helm	1	Dometic	HH5271-3
	Fitting Kit	1	Add A Station	HF6007
	Hose Kit	1	Outboard Hose	H051xx
	Steering Fluid	1	Dometic Fluid	HA5430
OPTIONAL EQUIPMENT	Back Plate Kit (For Standard Helms)			HA5418
	20 Degree Wedge (For Standard Helms)			HA5419
	Autopilot Fitting Kit (For All -3 Helms)			HF6007
	Power Assist Steering			PA1200-2

Engine/Cylinder Configuration	Component Description	Qty. Req.	Model	Part #
DUAL ENGINE (Single Cylinder) Non-Counter Rotating Applications up to 300 HP Maximum Counter Rotating Applications up to 600 HP Maximum Number of Turns: 5.6/6.5	Cylinder	1	Splashwell	HC5380-3
	Tie Bar Kit	1	Splashwell Mount Tie Bar	H05010
	Helm	1	Dometic	HH5271-3
	Hose Kit	1	Outboard Hose	H051xx
	Steering Fluid	3	Dometic Fluid	HA5430
FOR EXTRA STEERING STATIONS ADD:				
	Helm	1	Dometic	HH5271-3
	Fitting Kit	1	Add A Station	HF6007
	Hose Kit	1	Outboard Hose	H051xx
	Steering Fluid	1	Dometic Fluid	HA5430
OPTIONAL EQUIPMENT	Back Plate Kit (For Standard Helms)			HA5418
	20 Degree Wedge (For Standard Helms)			HA5419
	Autopilot Fitting Kit (For All -3 Helms)			HF6007
	Power Assist Steering			PA1200-2

- Light duty alternative to front and side mount cylinders.
- Unbalanced cylinder with 5.5/6.5 turns lock-to-lock.
- Fits engines with or without support (steering) tube.
- Single and multiple engine capability and has total power to 600 HP twin in counter rotating application.
- It can be transom or hull mounted cylinder.
- **Note:** Not for use with Dometic Pro helms.



Order No. Mfg. No. / Description List Price
800676 (HC5380-3) **\$745.79** F0-5022500

- Electronics
- Trolling Motors
- Instruments
- Electrical
- Lighting
- Anchor & Dock
- Safety
- Steering, Controls
- Pumps
- Fuel System
- Seating & Pedestals
- Trailering
- Tops & Covers
- Perform.
- Propellers
- Engine & Care
- Cleaning & Care
- Paint & Paint Acc.
- Fun & Flotation
- Topside Acc.
- Cockpit & Deck
- Hardware, Fasteners
- Camouflage
- Misc.
- Comm.

- Electronics
- Trolling Motors
- Instruments
- Electrical
- Lighting
- Anchor & Dock
- Safety
- Steering, Controls**
- Pumps
- Fuel System
- Seating & Pedestals
- Trailering
- Tops & Covers
- Perform.
- Propellers
- Engine & Care
- Cleaning & Care
- Paint & Paint Acc.
- Fun & Flotation
- Topside Acc.
- Cockpit & Deck
- Hardware, Fasteners
- Camouflage
- Misc.
- Comm.

Dometic Pro Front Mount Outboard Hydraulic Steering System

Dometic Pro Front Mount Outboard Hydraulic Steering Application Guide

Engine Manufacturer	Year	Model	Cylinder	Notes
HONDA	2001 to Date	BF150-250 HP	HC6345-3	HA5472 stroke limit kit must be installed when using BF200-BF250
JOHNSON/ EVINRUDE	2002 to Date	150-250 HP 4-Stroke	HC6345-3	
	2003 to Date	150-300 HP ETech	HC6345-3	
	2005 to Date	E250 HP Vindicator	N/A	
MERCURY	1989 to Date	150-300 HP 2-Stroke, 4-Stroke and XS Engines Including 4.6L V8	HC6345-3	
SUZUKI	1986 to Date	150-300 HP 2-Stroke, 4-Stroke	HC6345-3	Includes ALL models
YAMAHA	1986 to Date	150-300 HP 2-Stroke, 4-Stroke	HC6345-3	

- Dometic PRO Outboard Steering systems are suited for all those critical high speed, single powered outboard boats, like Bass, Flats, combo Race/Ski and other performance orientated boats capable of speeds in excess of 65 mph.
- Before ordering it is necessary to determine the proper cylinder and helm pump for your application.
- Using the table to the right, choose the correct cylinder as per your outboard engine.
- Dometic recommends the use of a Dometic PRO helm and Dometic PRO (1500 psi) reinforced Kevlar hoses with All Dometic PRO systems.

Dometic Pro Front Mount Outboard Hydraulic Cylinders



- These cylinders have keyed support brackets to prevent racking of the cylinder which gives it a more solid feel and more robust bushings.
- Suited for all those critical high speed, single powered outboard boats, like Bass, Flats, combo Race/Ski and other performance orientated boats capable of speeds in excess of 65 MPH.
- All Dometic PRO systems require the use of a Dometic PRO helm and Dometic PRO (1,500 psi) reinforced Kevlar hoses ONLY!

Order No.	Mfg. No. / Description	List Price
800745	(HC6345-3) Black Version	\$857.19 FO-3000600
801034	(HC6345SIL-3) Silver Version	\$857.19 FO-3000600

Dometic Steering Cylinder Seal Kits and Cylinder Accessories

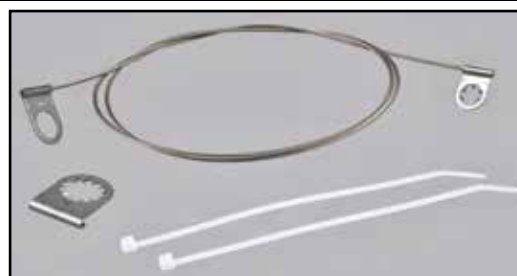
Dometic Front Mount Cylinder Seal Kits



- For Dometic cylinders: HC5340, HC5341, HC5342, HC5343, HC5344, HC5345, HC5346, HC5347, HC5348, HC5358, HC5365, HC5375, HC5394, HC5445, HC6750, HC6751, HC6752, HC6753, HC6754 and HC6755.

Order No.	Mfg. No. / Description	List Price
801464	(HS157) Includes Pin Wrench	\$147.29 FO-0130100
801490	(HS167) Does Not Include Pin Wrench	\$119.29 FO-0538000
801452	(HS152) For Snap Ring Cyl. HC5340 & HC5394	\$68.19 FO-3774000

Dometic Outboard Cylinder Grounding Strap



- Designed to provide added protection against corrosion caused by stray current.
- This is designed for use on Dometic and BayStar front mounting outboard cylinders.

Order No.	Mfg. No. / Description	List Price
799850	(HA5477)	\$19.99 FO-9931000

Dometic Hydraulic Cylinder Service Kit



- Designed for easier servicing of the hydraulic cylinder.
- A compact bleeder wrench simplifies access of hard to reach places.
- While the end gland wrench is conveniently adaptable to fit both 4-hole and 8-hole end glands.
- A perfect tool kit for dealer mechanics who works on Dometic steering systems and wants to save time and money.

Order No.	Mfg. No. / Description	List Price
801398	(HS300)	\$103.09 FO-6127000



- Easy installation.
- Simple autopilot interface.
- Simple multiple steering station connection.
- Fits most power and non-power assist sterndrives.
- Single and multiple drives.

Dometic Sterndrive Outboard Hydraulic Steering System

Dometic Sterndrive Outboard Hydraulic Steering Application Guide

Engine Manufacturer	Steering Configuration	Engine/Drive Description	Year	Cylinder Description		Number Turns Lock To Lock		Notes
				Model No.	Mfg. No.	Dometic 1.7 Helm	Dometic 2.4 Helm	
MERCURISER	Non Power Assist	ALPHA I	2000 to Date	BA135-7EM	HC5332-3	5.0	3.5	1, 4, 5, 6
		BRAVO I	2000 to Date	BA135-7EM	HC5332-3	5.0	3.5	1, 4, 5, 6
		BRAVO II	2000 to Date	BA135-7EM	HC5332-3	5.0	3.5	1, 4, 5, 6
		BRAVO III	2000 to Date	BA135-7EM	HC5332-3	5.0	3.5	1, 4, 5, 6, 7
	Power Assist	ALPHA I	2000 to Date	125-8EM	HC5328-3	4.9/5.8	3.4/4.1	2
		BRAVO I	2000 to Date	125-8EM	HC5328-3	4.9/5.8	3.4/4.1	2
		BRAVO II	2000 to Date	125-8EM	HC5328-3	4.9/5.8	3.4/4.1	2
		BRAVO III	2000 to Date	125-8EM	HC5328-3	4.9/5.8	3.4/4.1	2
VOLVO	Non Power Assist	290	To Date	BA135-7EM	HC5332-3	5.0	3.5	1, 4, 5, 6
		Diesel	To Date	BA135-7EM	HC5332-3	5.0	3.5	1, 4, 5, 6
		DPS	2000 to Date	BA135-7EM	HC5332-3	5.0	3.5	1, 4, 5, 6
	Power Assist	290	To Date	125-8EM	HC5328-3	4.8/5.8	3.4/4.1	2
		Diesel	To Date	125-8VEM	HC5329-3	4.9/5.8	3.4/4.1	2
		DPS & SX	1996 to Date	125-6VPS	HC5331-3	4.8/5.5	3.4/4.1	2
YANMAR	Non Power Assist	ZT370	To Date	BA135-7EM	HC5332-3	5.0	3.5	1, 4, 5, 6, 7
	Power Assist	ZT370	To Date	125-8EM	HC5328-3	4.8/5.8	3.4/4.1	2

- Balanced system – ie: the number of turns lock to lock is equal port to starboard or vice-versa.
- Unbalanced system – ie: the number of turns lock to lock is not equal port to starboard or vice-versa.
- Requires cylinder rod end adapter HA5424 supplied by Dometic.
- HC5332-3 replaces HC5326-3 as of January 2000.** If installing HC5326 additional clevis supplied by engine manufacturer required. Mastry Engine part #SUN144 *not provided by Dometic.
- The installation of the HC5332-3 sterndrive cylinder requires the use of Dometic Outboard hose only. DO NOT use 3/8" copper or nylon tube.**
- If engine outdrive is NOT equipped with a torque tab on the underside of the lower leg one must be installed to reduce prop torque.
- Yanmar Engines using the Bravo III drives require the use of cylinder HC5326-3.

System Configuration	Component Description	Qty. Req.	Model	Part #	
SINGLE & DUAL STERNDRIVE	Cylinder	1	See Application Guide		
	Helm	1	Dometic (See Note 1)	HH5271-3	
			Dometic (See Note 2)	HH5272-3	
	Steering Fluid Tube/Hose	3	Dometic Fluid	HA5430	
	FOR EXTRA STEERING STATIONS ADD:				
	Helm	1	Dometic (See Note 1)	HH5271-3	
		Dometic (See Note 1)	HH5272-3		
Fitting Kit	1	Add A Station: - For use with Steering Hose - For use with Tube/Copper	HF6007 HF6010		
Steering Fluid Extra Tube/Hose	1	Dometic Fluid	HA5430		
OPTIONAL EQUIPMENT	Back Plate Kit		(For Standard Helms)	HA5418	
	20 Degree Wedge		(For Standard Helms)	HA5419	
	Autopilot Fitting Kit		(For Use w/Hose)	HF6007	
			(For Use w/Tube/Copper)	HF6010	
Power Assist Steering			PA1200-2		

- Dometic helms are the standard recommendation for both non-power & power steered applications.
- Dometic helms with a higher displacement can be specified for less wheel turns where faster response is desired. Consult application guide at top of page for options.
- For dual stern drives – use the tie bar supplied by the engine manufacturer.

Dometic Sterndrive Cylinders



- Fits most power and non power assist sterndrives.
- Single and multiple drives.
- Simple autopilot interface.
- Simple multiple steering station connection.

FOR NON POWER ASSIST ENGINES - BODY DIAMETER 1.35"

- Requires the use of Dometic Outboard hose only. Do not use 3/8" copper or nylon tube.

Order No.	Mfg. No. / Description	List Price	
800731	(HC5332-3-3)BA135-7EM	\$678.39	F0-7847400
801426	(HS155) Seal Kit	\$43.29	F0-0303000

FOR POWER ASSIST ENGINES - BODY DIAMETER 1.25"

Order No.	Mfg. No. / Description	List Price	
800744	(HC5328-3) 125-8EM	\$574.79	F0-5320400
801411	(HS154) Seal Kit	\$43.29	F0-0303000

Dometic Tournament Series Front Mount Outboard Hydraulic Cylinder



- Suitable for use with all Dometic Helms and Dometic Power Assist.
- Heavy duty universal cylinder.
- Reversible, bolt on stainless steel tie bar plates.
- Robust design with heavy duty support brackets, barrel, shaft and seals.
- New pivot plate design provides smooth articulation and a sealed joint (patent pending).
- Heavy duty adjustable tie bar (patent pending).
- Equipped with stainless steel adjustable O-ring sealed elbow fittings which can be easily orientated in any direction.
- **Important Information:** Each configuration requires a hardware kit and tie bar kit(s), with the exception of the single engine configuration.

Order No.	Mfg. No. / Description	List Price
800780	(HC6845) Cylinder	\$1,037.49 FO-4262700

Dometic Hardware Kits for Tournament Series



Order No.	Mfg. No. / Description	List Price
802000	(HA6801) Single Engine Single Cylinder	\$102.49 FO-4717000
802012	(HA6802) Twin Engine Single Cyl. Starboard	\$547.99 FO-9538300
802024	(HA6804) Twin Engine Dual Cylinder	\$389.69 FO-8727200
802036	(HA6806) Triple Engine Dual Cylinder	\$730.59 FO-1411500

Dometic ORB Cylinder Tee Fitting Kit for Tournament Series



Order No.	Mfg. No. / Description	List Price
801782	(HF6005) 2 Per Kit	\$60.79 FO-5524000

Dometic Tournament Series Front Mount Outboard Hydraulic Application Guide

Configuration	Cylinder		Hardware Kit		Tie Bar				Notes
	Part #	Qty.	Part #	Qty.	Engine Center Distance		Part #	Qty.	
Single Engine - Single Cylinder	HC6845	1	HA6801	1	N/A	N/A	N/A	N/A	1
Twin Engine - Single Cylinder (Starboard)	HC6845	1	HA6802	1	25.0" - 25.6"	635 mm - 650 mm	H06821	1	1, 3, 4, 5
					25.7" - 30.6"	653 mm - 777 mm	H06822	1	1, 3, 4, 5
					30.7" - 39.4"	780 mm - 1,001 mm	H06823	1	1, 3, 4, 5
					39.5" - 54.0"	1,003 mm - 1,372 mm	H06824	1	1, 3, 4, 5
Twin Engine - Dual Cylinder	HC6845	2	HA6804	1	25.0" - 26.5"	635 mm - 673 mm	H06820	1	1, 3, 4, 5
					26.6" - 29.3"	676 mm - 744 mm	H06821	1	1, 3, 4, 5
					29.4" - 34.2"	747 mm - 869 mm	H06822	1	1, 3, 4, 5
					34.3" - 43.0"	871 mm - 1,092 mm	H06823	1	1, 3, 4, 5
					43.5" - 58.0"	1,105 mm - 1,473 mm	H06824	1	1, 3, 4, 5
Triple Engine - Dual Cylinder	HC6845	2	HA6806	1	25.0" - 27.9"	635 mm - 709 mm	H06822	2	1, 2, 3, 4, 5, 6
					28.0" - 36.0"	711 mm - 914 mm	H06823	2	1, 2, 3, 4, 5, 6
					36.0" - 51.0"	914 mm - 1,295 mm	H06824	2	1, 2, 3, 4, 5, 6
Quad Engine - Dual Cylinder	HC6845	2	HA6811	1	Consult Dometic Technical Service			1, 2, 3, 4, 5	
Quintuplet Engine (Plus)	Consultant Dometic Technical Service							1, 2, 3, 4, 5	

1. Installation may vary according to the following factors: engine mounting height, transom thickness, use of transom savers, tiller bolt location, engine tilt range and engine size.
2. For center engine drops greater than 3" (76mm), please consult Dometic Technical Service.
3. Tie Bar length may vary depending on toe in/toe out setup. To allow for toe, add or subtract from your nominal engine center to center distance.

1. Based on recommended engine manufacturer minimum center to center distances. Deviating from these recommendations may require stroke limiting cylinders and/or engine tilt limiting, please consult Dometic Technical Service.
5. Cylinder's must be plumbed in parallel only, no series connections. Only exception is if cylinders are utilizing a liquid tie bar.
6. Maximum drop: ≤ 3 inches (76mm).

Configuration	Cylinder		Hardware Kit		Tie Bar				Notes
	Part #	Qty.	Part #	Qty.	Engine Center Distance		Part #	Qty.	
Triple Engine - Triple Cylinder	HC6845*	3	HA6807	1	28.0" - 28.8"	711 mm - 736 mm	H06819	3	1, 2, 3, 4
					28.9" - 30.5"	737 mm - 774 mm	H06820		1, 2, 3, 4
					30.6" - 33.3"	775 mm - 847 mm	H06821		1, 2, 3, 4
					33.4" - 38.3"	848 mm - 974 mm	H06822		1, 3, 4, 6
					38.4" - 47.0"	975 mm - 1,194 mm	H06823		1, 3, 4, 6
					47.1" - 62.1"	1,195 mm - 1,578 mm	H06824		1, 3, 7

1. Installation may vary according to the following factors: engine mounting height, transom thickness, use of transom savers, tiller bolt location, engine tilt range, and engine size.
2. Will require trim limiting at 0" (0 mm) drop.**
3. Tie Bar length may vary depending on toe in/toe out setup. To allow for toe, add or subtract from your nominal engine center to center distance.
4. Maximum drop 1.5" (38 mm) with trim limiting.**

5. Maximum drop 1.5" (38 mm) without trim limiting.
6. Maximum drop 3" (76 mm) with trim limiting.**
7. Maximum drop 3" (76 mm) without trim limiting.

* HC6850 for Honda V6 or where stroke reduction is desired.

** Trim limiting required as interference between the tie bar and support bracket will occur during independent trim/tilt.

Electronics

Trolling Motors

Instruments

Electrical

Lighting

Anchor & Dock

Safety

Steering, Controls

Pumps

Fuel System

Seating & Pedestals

Trailering

Tops & Covers

Perform.

Propellers

Engine & Care

Cleaning & Care

Paint & Paint Acc.

Fun & Flotation

Topside Acc.

Cockpit & Deck

Hardware, Fasteners

Camouflage

Misc.

Comm.

Dometic Inboard Hydraulic Steering System



- Regular duty cylinders.
- Heavy duty cylinders.
- Easy installation for single and dual rudder vessels.
- Cylinders supplied with bleeder fittings.
- Two axis articulation.
- Easy autopilot interface.

Dometic Inboard Hydraulic Steering Application Guide

BOAT LENGTH UP TO	PLANING HULL				DISPLACEMENT OR SEMI DISPLACEMENT HULL				SAIL	
	SINGLE ENGINE		TWIN ENGINE		SINGLE ENGINE		TWIN ENGINE		SINGLE ENGINE	
	PLEASURE	WORK	PLEASURE	WORK	PLEASURE	WORK	PLEASURE	WORK	PLEASURE	WORK
26 ft. (8m)	System 1	System 4	System 1	System 4	System 2	System 4	System 2	System 4	System 4	System 4
32 ft. (10m)	System 2	System 4	System 1	System 4	System 3	System 4	System 3	System 4	System 4	System 4
38 ft. (11.5m)	System 3	System 5	System 2	System 5	System 5	System 5	System 3	System 5	System 4	System 5
44 ft. (13.5m)	System 5	-	System 3	System 5	-	-	System 5	System 1	System 5	System 1
50 ft. (15m)	-	-	System 5	-	-	-	-	-	-	-

a) Displacement Hull: Maximum hull speed does not normally exceed 12 knots.
 b) Semi Displacement Hull: Maximum hull speed does not normally exceed 18 knots.

c) Planing Hull: Maximum hull speed normally exceeds 18 knots.

SYSTEM 1: 4 TURNS LOCK TO LOCK

- Consist of:
 - (1) **800000** (HH5271-3) Helm
 - (1) **800804** (HC5312-3) BA125-7ATM Cylinder
 - (3) **799779** (HA5430) Hydraulic Fluid, Quart

SYSTEM 2: 5 TURNS LOCK TO LOCK

- Consist of:
 - (1) **800000** (HH5271-3) Helm
 - (1) **800816** (HC5313-3) BA135-7ATM Cylinder
 - (3) **799779** (HA5430) Hydraulic Fluid, Quart

SYSTEM 3: 6 TURNS LOCK TO LOCK

- Consist of:
 - (1) **800000** (HH5271-3) Helm
 - (1) **800828** (HC5314-3) BA150-7ATM Cylinder
 - (3) **799779** (HA5430) Hydraulic Fluid, Quart

SYSTEM 4: 4-1/4 TURNS LOCK TO LOCK

- Consist of:
 - (1) **800013** (HH5272-3) Helm
 - (1) **800866** (HC5318) BA150-7TM Cylinder
 - (3) **799779** (HA5430) Hydraulic Fluid, Quart

SYSTEM 5: 5-1/2 TURNS LOCK TO LOCK

- Consist of:
 - (1) **800013** (HH5272-3) Helm
 - (1) **800878** (HC5319) BA175-7TM Cylinder
 - (3) **799779** (HA5430) Hydraulic Fluid, Quart

Dometic Inboard Hydraulic Cylinders



- Easy installation for single and dual rudder vessels.
- Two axis articulation.
- Easy autopilot interface.
- Cylinders supplied with bleeder fittings.

INBOARD ATM CYLINDERS - ALUMINUM

Order No.	Mfg. No.	Model #	Body Dia.	Seal Kit	List Price	
800804	(HC5312-3)	BA125-7ATM	1.25"	HS5154	\$663.39	F0-7346400
800816	(HC5313-3)	BA135-7ATM	1.35"	HS5155	\$797.09	F0-6975500
800828	(HC5314-3)	BA150-7ATM	1.50"	HS5156	\$783.39	F0-7384500

INBOARD TM CYLINDERS - BRASS

Order No.	Mfg. No.	Model #	Body Dia.	Seal Kit	List Price	
800866	(HC5318)	BA150-7TM	1.50"	HS5182	\$943.69	F0-8506600
800878	(HC5319)	BA175-7TM	1.75"	HS5183	\$1,096.99	F0-9876700

Dometic Cylinder Seal Repair Kits



FOR ALUMINUM CYLINDERS

Order No.	Mfg. No. / Description	List Price	
801411	(HS5154) With Body Diameter 1.25"	\$43.29	F0-0303000
801426	(HS5155) With Body Diameter 1.35"	\$43.29	F0-0303000
801433	(HS5156) With Body Diameter 1.50"	\$43.89	F0-2703000

FOR BRASS CYLINDERS

Order No.	Mfg. No. / Description	List Price	
803230	(HS5182) With Body Diameter 1.50"	\$55.69	F0-8983000
803242	(HS5183) With Body Diameter 1.75"	\$61.69	F0-8134000
803255	(HS5184) With Body Diameter 2.00"	\$62.99	F0-9044000

- Electronics
- Trolling Motors
- Instruments
- Electrical
- Lighting
- Anchor & Dock
- Safety
- Steering, Controls**
- Pumps
- Fuel System
- Seating & Pedestals
- Trailer
- Tops & Covers
- Perform.
- Propellers
- Engine & Care
- Cleaning & Care
- Paint & Paint Acc.
- Fun & Flotation
- Topside Acc.
- Cockpit & Deck
- Hardware, Fasteners
- Camouflage
- Misc.
- Comm.

Dometic Tie Bar Kits - Complete



- For engine centers up to 36".
- No adapters are required.

Order No.	Mfg. No. / Description	List Price	
802363	(HO6001) Single Cylinder	\$514.09	F0-6895300
802378	(HO6003) Single Cylinder	\$520.09	F0-6046300
802384	(HO6002) Dual Cylinder	\$543.79	F0-5608300

Dometic Tie Bar Adapter Kit - Yamaha



- Only for OEM Tie Bars. Adapter plates only.
- For use with OEM tie bar from the engine manufacturer.

Order No.	Mfg. No. / Description	List Price	
802290	(HO5036A)	\$292.69	F0-8840200

Dometic Tie Bar for Side Mount Cylinders



- Engine centre distance: Maximum 36", minimum 26".

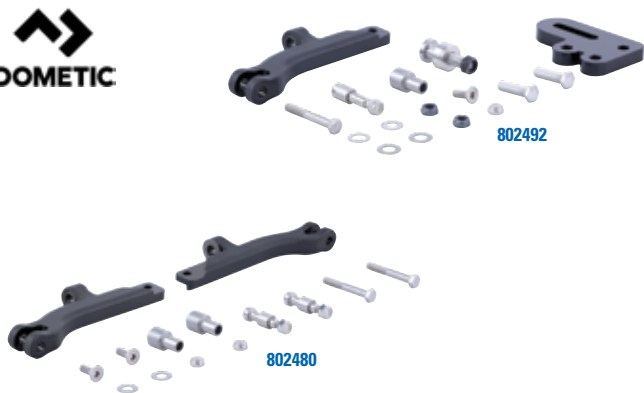
Order No.	Mfg. No. / Description	List Price	
802125	(HO5009)	\$335.69	F0-8943200

Dometic Tournament Series Tie Bar Kits - Complete



Order No.	Mfg. No. / Description	List Price	
802416	(HO6820)	\$388.79	F0-5127200
802428	(HO6821)	\$413.89	F0-2798200
802434	(HO6822)	\$476.59	F0-1633300
802442	(HO6823)	\$564.39	F0-7059300
802466	(HO6824)	\$627.29	F0-0193400

Dometic Tournament Drive Bracket Kits



- For use with the Adjustable Tie Bars on standard Dometic steering cylinders.
- This series of hardware kits will allow the consumer to take full advantage of all the features and benefits of Dometic's heavy duty adjustable tie bar products for twin engine applications up to 600 HP.
- Meets/exceeds all applicable standards.
- Utilizes proven Tournament series adjustable tie bars.
- Anodized aluminum adjustable tie bar with built in maximum stroke indicator.
- High strength forged aluminum drive bracket.
- Eliminates the need for cut-to-length traditional tie bars.

Order No.	Mfg. No. / Description	List Price	
802492	(HA5521) Twin Engine - Single Cylinder	\$188.59	F0-1023100
802480	(HA5520) Twin Engine - Dual Cylinder	\$179.59	F0-1752100

1. Installation may vary according to the following factors: engine mounting height, transom thickness, use of transom savers, tiller bolt location, engine tilt range, and engine size.
2. Cylinder's must be plumbed in parallel only, no series connections.
3. Tie bar length may vary depending on toe in/toe out setup. To allow for toe, add or subtract from your nominal engine center to center distance.
4. Based on recommended engine manufacturer minimum center to center distances. Deviating from these recommendations may require stroke limiting cylinders and/or engine tilt limiting, please consult Dometic Technical Service.
5. Cylinder interference may occur with independent trim/tilt of the engines.

Configuration	Hardware Kit		Tie Bar		Part #	Qty.	Notes
	Part #	Qty.	Engine Center to Center Distance				
Twin Engine - Single Cylinder (Starboard)	HA5521	1	25.0" - 25.7"	635 mm - 653 mm	HO6821	1	1, 3, 4, 5
	HA5521	1	25.8" - 30.7"	655 mm - 780 mm	HO6822	1	1, 3, 4, 5
	HA5521	1	30.8" - 39.3"	782 mm - 998 mm	HO6823	1	1, 3, 4
	HA5521	1	39.4" - 54.5"	1000 mm - 1384 mm	HO6824	1	1, 3, 4
Twin Engine - Dual Cylinder	HA5520	1	28.0" - 29.0"	711 mm - 737 mm	HO6819	1	1, 2, 3, 4, 5
	HA5520	1	29.1" - 30.6"	739 mm - 777 mm	HO6820	1	1, 2, 3, 4, 5
	HA5520	1	30.7" - 33.4"	779 mm - 848 mm	HO6821	1	1, 2, 3, 4, 5
	HA5520	1	33.5" - 38.4"	850 mm - 975 mm	HO6822	1	1, 2, 3, 4
	HA5520	1	38.5" - 47.1"	997 mm - 1196 mm	HO6823	1	1, 2, 3, 4

T & R Marine Tie Bar Kit - Complete



- Adjustable to 31" centers.
- Stainless steel makes this kit corrosion resistant.
- Yamaha: 115-225 HP, 1984 and newer, J/E: 50-235 HP, Mercury: 40-225 HP, Mariner: 40-225 HP and Suzuki: 150-150SS-200 HP, 1986 and newer.

Order No.	Mfg. No. / Description	List Price	
633289	(DEL-9805)	\$243.29	H0-7954100

- Electronics
- Trolling Motors
- Instruments
- Electrical
- Lighting
- Anchor & Dock
- Safety
- Steering, Controls
- Pumps
- Fuel System
- Seating & Pedestals
- Trailer
- Tops & Covers
- Perform.
- Propellers
- Engine & Care
- Cleaning & Care
- Paint & Paint Acc.
- Fun & Flotation
- Topside Acc.
- Cockpit & Deck
- Hardware, Fasteners
- Camouflage
- Misc.
- Comm.

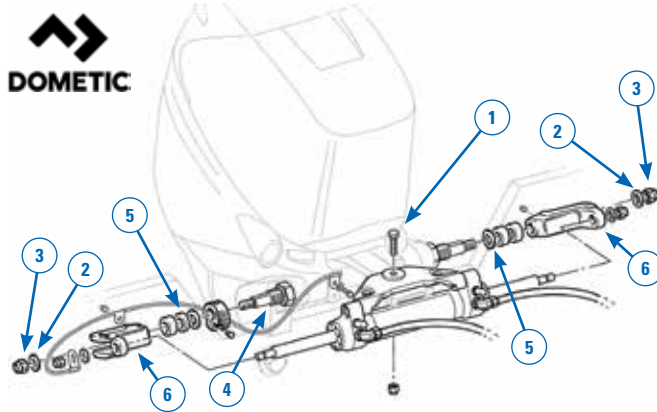
Dometic Positionable O-Ring Hose Fittings (ORB)



- These fittings are made of corrosion resistant stainless steel and now thread into the cylinders/helms via Positionable O-ring hose ports.
- Fittings can be easily orientated in any direction to accommodate tube routing.
- **CAUTION:** NOT for use in an NPT helm/cylinder hose fitting port.

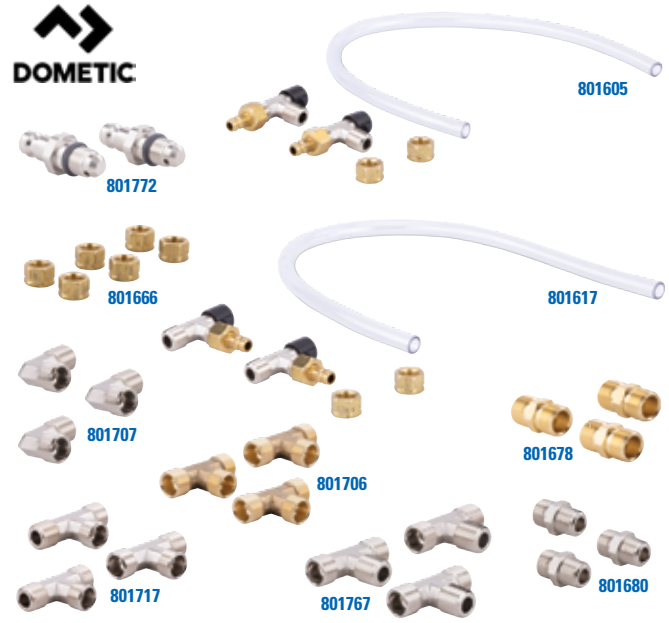
Order No.	Mfg. No. / Description	List Price	
801780	(HF6001) Vertical Bleeder Tee 2 Per Kit	\$65.49	F0-4854000
801781	(HF6002) Horizontal Bleeder Tee 2 Per Kit	\$65.49	F0-4854000
801709	(HF6004) Elbow Fitting 2 Per Kit	\$39.69	F0-8772000
801782	(HF6005) Tee Fitting 2 Per Kit	\$60.79	F0-5524000
801783	(HF6006) Tee Fitting 2 Per Kit	\$60.79	F0-5524000
801786	(HF6009) Straight Fitting 2 Per Kit	\$20.89	F0-2641000
801788	(HF6011) 45° Fitting 2 Per Kit	\$33.39	F0-7332000
801789	(HF6012) -5 ORB (M) -1/4" NPT (F) 3 Per Kit	\$42.29	F0-0692000

Dometic Front Mount Cylinder Parts - HC5345-3



Item	DMI #	MFG #	Qty.	Description	List Price	
1	796290	(HP6001)	1	Stainless Steel Bolt & Nut	\$24.29	F0-0071000
2	796358	(HP6134)	2	Stainless Steel Washer	\$9.59	F0-1760000
3	796346	(HF6008)	2	FCP Nut, 1/2"	\$30.69	F0-8412000
4	796409	(HP6016)	1	Support Rod	\$89.09	F0-6326000
5	796372	(HP6017)	2	FCP Washer	\$7.99	F0-9550000
6	796485	(HP6014)	2	S.S. Support Bracket	\$222.99	F0-9065100

Dometic NPT Fittings



- All Dometic manual hydraulic steering systems utilize the same style of fittings for all applications.
- These are 3/8" compression fittings which utilize a 9/16"-24 extra fine thread.
- **CAUTION:** NPT fittings are not to be used in a -3 helm and/or cylinder. Doing so will result in irreparable damage to the helm/cylinder. ONLY use a Dometic ORB Hose Fitting in a -3 helm and/or cylinder.

Order No.	Mfg. No. / Description	List Price	
801605	(HF5520) Horizontal Bleeder Tee 2 Per Kit	\$75.39	F0-7725000
801617	(HF5521) Vertical Bleeder Tee 2 Per Kit	\$72.59	F0-1805000
801772	(HF5548) Bleed Nipple 2 Per Kit	\$28.49	F0-4991000
801666	(HF5526) Tube Nut - 3/8" 6 Per Kit	\$21.89	F0-2351000
801678	(HF5527) Union Coupling Fitting 3 Per Kit	\$17.99	F0-9521000
801680	(HF5528) Straight - 1/4" NPT to 3/8" Tube 3 Per Kit	\$21.89	F0-2351000
801707	(HF5529) Elbow - 1/4" NPT to 3/8" Tube 3 Per Kit	\$36.29	F0-0452000

TEE FITTINGS (3 PER KIT)

Order No.	Mfg. No. / Description	List Price	
801706	(HF5530) 3/8" Tube	\$36.69	F0-8652000
801717	(HF5531) 1/4" NPT to 3/8" Tube, 90°	\$43.19	F0-3203000
801767	(HF5536) 1/4" NPT to 3/8" Tube, 180°	\$41.09	F0-6782000

Dometic Tiller Plate Washer Kit



- Dometic outboard steering cylinder tiller plate washer kit.
- For: HC5345-3, HC5347-3, HC5348-3 and HC5358-3.

Order No.	Mfg. No. / Description	List Price	
7001444	(HA5820)	\$53.49	F0-4473000

Dometic Front Mount Cylinder High Strength Tiller Bolt Kit



- The nut/bolt in this kit are to be used with ALL 300HP+ outboard engines as well as ALL Mercury XS engines.

Order No.	Mfg. No. / Description	List Price	
799852	(HA5822)	\$22.39	F0-7651000

- Electronics
- Trolling Motors
- Instruments
- Electrical
- Lighting
- Anchor & Dock
- Safety
- Steering, Controls
- Pumps
- Fuel System
- Seating & Pedestals
- Trailer
- Tops & Covers
- Perform.
- Propellers
- Engine & Care
- Cleaning & Care
- Paint & Paint Acc.
- Fun & Flotation
- Topside Acc.
- Cockpit & Deck
- Hardware, Fasteners
- Camouflage
- Misc.
- Comm.

- Electronics
- Trolling Motors
- Instruments
- Electrical
- Lighting
- Anchor & Dock
- Safety
- Steering, Controls
- Pumps
- Fuel System
- Seating & Pedestals
- Trailering
- Tops & Covers
- Perform.
- Propellers
- Engine & Care
- Cleaning & Care
- Paint & Paint Acc.
- Fun & Flotation
- Topside Acc.
- Cockpit & Deck
- Hardware, Fasteners
- Camouflage
- Misc.
- Comm.

Dometic Ball Joints



Order No.	Mfg. No. / Description	List Price	
797615	(HP6003) For Tie Bar, 1/2" SST	\$100.29	F0-0207000
801270	(HP6013) Rod Eng, 5/8" x 5/8"-18UNF	\$142.19	F0-3599000

Dometic Spacer Kit



• Comes with spacers and adjusting nut.

Order No.	Mfg. No. / Description	List Price	
801301	(HP6033)	\$53.09	F0-6173000

Dometic Clevis Connection



• 7/8" NF threads, 5/8" hole.

Order No.	Mfg. No. / Description	List Price	
795560	(HP6123)	\$207.09	F0-6944100

Dometic Hydraulic Steering Cylinder Spacer Kit



• Spacer kit for: HC5345-3, HC5348-3 and HC5358-3.
 • For low HP outboard engines.

Order No.	Mfg. No. / Description	List Price	
800575	(H05090)	\$31.09	F0-6712000

Dometic Stainless Steel Hex Bolt and Nut



• Stainless steel.
 • 3/8" x 1-5/8".
 • 3 of each.

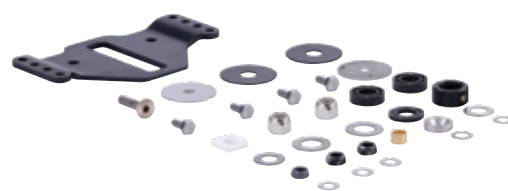
Order No.	Mfg. No. / Description	List Price	
795558	(HP6007)	\$52.09	F0-6463000

Dometic Cylinder Service Kit



Order No.	Mfg. No. / Description	List Price	
801313	(HP6036)	\$35.09	F0-6542000

Dometic Hardware Kit with Slide Plate



• For front mount slide cylinder.

Order No.	Mfg. No. / Description	List Price	
801286	(HP6031)	\$299.79	F0-5890200

Dometic Outboard Hydraulic Hose Kits

Determine length by measuring along the intended path to the center of engine, round up to next even foot and add 2 feet.

Dometic Standard Outboard Hydraulic Hose Kits



801678

Order No.	Mfg. No.	Length	List Price	
800400	(HO-5102)	2'	\$137.59	FO-1369000
800412	(HO-5103)	3'	\$137.59	FO-1369000
800422	(HO-5104)	4'	\$137.59	FO-1369000
800435	(HO-5106)	6'	\$137.59	FO-1369000
800448	(HO-5108)	8'	\$137.59	FO-1369000
800451	(HO-5110)	10'	\$137.59	FO-1369000
800464	(HO-5112)	12'	\$137.59	FO-1369000
800477	(HO-5114)	14'	\$128.19	FO-3798000
800480	(HO-5116)	16'	\$140.09	FO-6089000
800493	(HO-5118)	18'	\$142.09	FO-6499000
800506	(HO-5120)	20'	\$142.09	FO-6499000
800519	(HO-5122)	22'	\$183.79	FO-5682100
800522	(HO-5124)	24'	\$194.69	FO-8263100
800535	(HO-5126)	26'	\$247.29	FO-0137100
800549	(HO-5130)	30'	\$275.99	FO-9139100

- Supplied with pre-attached hose fittings on both ends.
- 1,000 psi.
- Can be used with all Dometic systems, except Dometic PRO, BayStar, Capilano and 3-line inboard systems.
- Sold per pair only.

3/8" UNION COUPLING FITTING (3 PER KIT)

Order No.	Mfg. No. / Description	List Price
801678	(HF5527)	\$17.99 FO-9521000

Dometic Double Stainless Steel Bulkhead Hose Kits



- These hose assemblies have integral 316 stainless steel bulkhead plate(s) and 316 stainless steel fittings which allow for tidy hose routing while preventing hose kinking or chafing.
- Sold per pair only.

Order No.	Mfg. No. / Description	List Price
800361	(HO-8816) Length 16'	\$253.39 FO-7377100
800373	(HO-8818) Length 18'	\$251.59 FO-1167100

Racor Marine Hose Fittings for Bulkhead Hose



401999

401997

401961

CRIMP, FEMALE SAE 45° - SWIVEL - STRAIGHT

Order No.	Mfg. No. / Description	List Price
401961	(108MS-6-5B) 5/16" (Fits Hynautic)	\$8.19 G0-9450000

FIELD ATTACHABLE, FEMALE SAE 45° - SWIVEL - STRAIGHT

Order No.	Mfg. No. / Description	List Price
401997	(208MS-6-5B) 5/16", Reusable (Fits Hynautic)	\$12.19 G0-7180000

F.A. MARINE TUBE - STRAIGHT WITH O-RING

Order No.	Mfg. No. / Description	List Price
401999	(2TFMS-6-5B) 5/16" - Reusable (Fits Dometic)	\$14.39 G0-4690000

Dometic Pro Outboard Hydraulic Hose Kits



- Supplied with pre-attached hose fittings on both ends.
- 1,500 psi.
- Can be used with all Dometic systems, except BayStar, Capilano and 3-line inboard systems.
- Sold per pair only.

Order No.	Mfg. No. / Description	List Price
800246	(HO-5714) Length 14'	\$209.99 FO-9964100
800261	(HO-5716) Length 16'	\$209.99 FO-9964100
800284	(HO-5718) Length 18'	\$209.99 FO-9964100
800297	(HO-5720) Length 20'	\$209.99 FO-9964100

Dometic Standard Bulkhead Hose Kits



- Each hose has an integral bulkhead fitting for tidy routing of hoses through a splashwell bulkhead, helping to eliminate excess loose hose, kinking or chafing.
- Can be used with all Dometic systems, except BayStar, Capilano and 3-line inboard.
- Sold per pair only.

Order No.	Mfg. No. / Description	List Price
800184	(HO-8116) Length 16'	\$223.79 FO-5665100
800198	(HO-8118) Length 18'	\$223.79 FO-5665100
800200	(HO-8120) Length 20'	\$223.79 FO-5665100
800210	(HO-8122) Length 22'	\$276.19 FO-3339100
800223	(HO-8124) Length 24'	\$289.79 FO-5820200
800234	(HO-8130) Length 30'	\$329.59 FO-1703200

T-H Marine Bulkhead Strain Relief Hose Kit



- Distributes strain from bends in hose.
- Water tight gripper fitting - no leaks.
- Great for hydraulic steering hose.
- Bulkhead fitting has flange for protection.
- Flange is 2-3/4" diameter and requires 1-1/4" installation hole.

Order No.	Mfg. No. / Description	List Price
641341	(BSR-1K-DP)	\$19.69 HO-1811000

- Electronics
- Trolling Motors
- Instruments
- Electrical
- Lighting
- Anchor & Dock
- Safety
- Steering, Controls
- Pumps
- Fuel System
- Seating & Pedestals
- Trailer
- Tops & Covers
- Perform.
- Propellers
- Engine & Care
- Cleaning & Care
- Paint & Paint Acc.
- Fun & Flotation
- Topside Acc.
- Cockpit & Deck
- Hardware, Fasteners
- Camouflage
- Misc.
- Comm.

- Electronics
- Trolling Motors
- Instruments
- Electrical
- Lighting
- Anchor & Dock
- Safety
- Steering, Controls**
- Pumps
- Fuel System
- Seating & Pedestals
- Trailer
- Tops & Covers
- Perform.
- Propellers
- Engine & Care
- Cleaning & Care
- Paint & Paint Acc.
- Fun & Flotation
- Topside Acc.
- Cockpit & Deck
- Hardware, Fasteners
- Camouflage
- Misc.
- Comm.

Dometic Nylon Tubing



- Outside diameter 3/8".
- Recommended for: Inboard, sterndrive and Seadrive steering systems with Dometic (1.7 cu. in.) helms only.
- Do not use on outboard systems.
- Sold in full rolls only.

Order No.	Mfg. No. / Description	List Price	
801102	(HT5092) Length 25'	\$78.09	F0-6645000
801115	(HT5095) Length 50'	\$115.99	F0-9118000
801128	(HT5100) Length 100'	\$232.99	F0-9036100

MP Parts Reinforced Nylon Tubing



- MP Parts Hydraulic Hose Kits exclusively manufactured by Parker Hannifin and Uflex.
- Sold in full rolls only.

Order No.	Description	List Price	
402002	5/16" x 50' Length	\$98.29	G0-5856000
402014	5/16" x 100' Length	\$185.99	G0-1642100

MP Parts Nylon Tubing



- For use with inboard, sterndrive or seadrive steering systems with Dometic I helms only.
- Not recommended for tubing runs in excess of 100'.
- MP Parts Hydraulic Hose Kits exclusively manufactured by Parker Hannifin and Uflex.
- Sold in full rolls only.

Order No.	Description	List Price	
804460	3/8" x 25' Length	\$31.99	G0-3412000
804462	3/8" x 50' Length	\$53.79	G0-4063000

Dometic Hydraulic Steering Fluid



799784



- Formulated to provide the best performance for your steering system.
- A perfect blend of viscosity stabilizers, anti-wear agents and corrosion inhibitors will ensure maximum steering life performance.

Order No.	Mfg. No. / Description	List Price	
799779	(HA5430H) Quart	\$21.39	F0-7941000
799760	(HA5440H) Gallon	\$80.99	F0-9665000
799784	(HA5438) Filler Kit	\$21.09	F0-6741000

Marpro Premium Marine Steering Fluid



- Ideal for use in all marine hydraulic steering systems.
- Provides outstanding antioxidant performance in ASTM D2272 testing, as well as superior anti-wear and corrosion protection capabilities.
- Meets or exceeds OEM specifications; will not void warranty.

Order No.	Description	List Price	
7-1087	Quart 12 Per Case	\$17.19	F0-3021000
7-1086	Gallon 4 Per Case	\$62.59	F0-1834000

Dometic Power Purge Jr.



- The easy way to 100% purge air out of BayStar and Dometic hydraulic steering systems.
- Reduces installation and warranty costs while enhancing the quality of the boat to the end user.
- A typical manual fill and purge takes the average experienced installer or service technician about 30 minutes per boat - by using the Power Purge Jr. this can be reduced to 10 minutes or less.
- Advantages: Steering feel is solid every time. 100% portable. Powered by 12v battery. Fast and efficient set up. Quick connect fittings. Easy to operate. Filter screens helps keep contamination out of your steering system.
- Optional Dual Cylinder Purging Kit HA5461 available.

Order No.	Mfg. No. / Description	List Price	
797792	(HA5445-2) Power Purge Jr.	\$1,217.59	F0-1325800
797805	(HA5461) Dual Cylinder Purge Hose	\$301.89	F0-2311200

Dometic Electronic Power Steering Fluid



- Specially formulated for marine applications.

Order No.	Mfg. No. / Description	List Price	
799838	(HA5482) Quart	\$36.29	F0-0452000

Dometic Additional Dometic Steering Station or Autopilot ORB Fitting Kits



- These fittings are made of corrosion resistant stainless steel and now thread into the cylinders/helms via Positionable O-ring hose ports.
- Fittings can be easily orientated in any direction to accommodate tube routing.
- CAUTION: NOT for use in an NPT helm/cylinder hose fitting port.

FITTING KIT FOR AN OUTBOARD SYSTEM

- Fitting kit to add a 2nd station or autopilot to an outboard system.

Order No.	Mfg. No. / Description	List Price	
801784	(HF6007)	\$179.19	F0-3452100

FITTING KIT FOR AN INBOARD OR STERNDRIVE SYSTEM

- Fitting kit to add a 2nd station or autopilot to an inboard or sterndrive system.

Order No.	Mfg. No. / Description	List Price	
801787	(HF6010)	\$86.19	F0-3306000

Dometic Application Kit



- Kit to connect 3/8" diameter copper tubing to Dometic cylinders (using Dometic outboard hose).

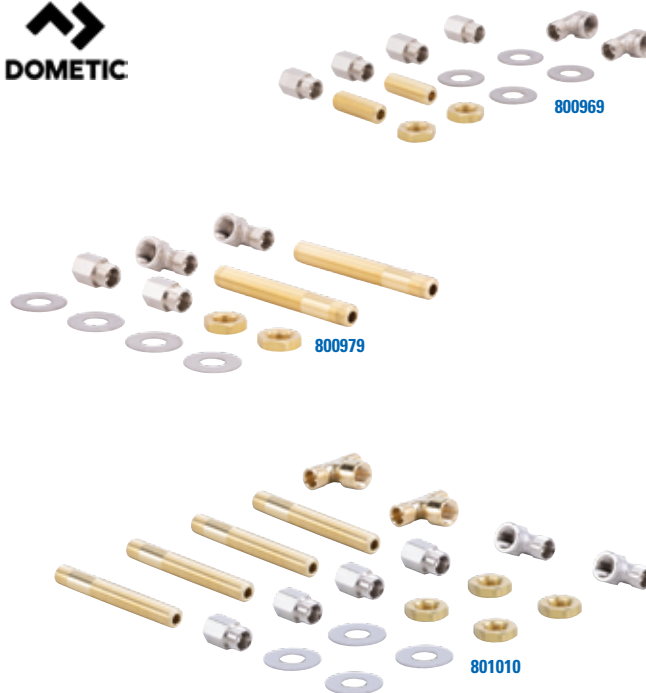
Order No.	Mfg. No. / Description	List Price	
800956	(HF5508)	\$127.69	F0-8398000

Dometic Purge Hose Kits



Order No.	Mfg. No. / Description	List Price	
799840	(HA5486) Length 15'	\$286.49	F0-4500200
799842	(HA5487) Length 30'	\$360.59	F0-1425200

Dometic Bulkhead Union Fitting Kits



- Use for outboard hose kits.
- Provides a watertight routing of hose kits through bulkheads and splashwells up to 3/4" thick.
- Sold 2 assemblies per kit.

Order No.	Mfg. No. / Description	List Price	
800969	(HF5512) 3/4" Bulkhead Fitting Kit Single Cyl.	\$88.99	F0-9226000
800979	(HF5513) 3" Bulkhead Fitting Kit Single Cyl.	\$95.09	F0-6566000
801010	(HF5515) 3" Bulkhead Fitting Kit Dual Cyl.	\$196.79	F0-5773100

Dometic Fitting Kits to Add a 2nd Station or Autopilot



- Contains fittings for adding either a 2nd station or an autopilot to an existing Dometic System.
- Can be used with outboard hose kit, nylon tubing or copper tubing installations.

Order No.	Mfg. No. / Description	List Price	
800901	(HF5501) With 25' Tubing	\$159.39	F0-7511100
800914	(HF5502) Without Tubing	\$75.99	F0-9135000

- Electronics
- Trolling Motors
- Instruments
- Electrical
- Lighting
- Anchor & Dock
- Safety
- Steering, Controls**
- Pumps
- Fuel System
- Seating & Pedestals
- Trailer
- Tops & Covers
- Perform.
- Propellers
- Engine & Care
- Cleaning & Care
- Paint & Paint Acc.
- Fun & Flotation
- Topside Acc.
- Cockpit & Deck
- Hardware, Fasteners
- Camouflage
- Misc.
- Comm.

Dometic Capilano Variable Turns Hydraulic Steering System

- The helm pump features variable displacement enabling the helmsman to adjust the steering wheel turns to suit various maneuvering and weather conditions.
- Systems are not air-pressurized; no air leaks or pressure drops.
- Each helm is its own reservoir; separate reservoir not needed.
- For most inboard powered boats with single or twin engines from 30 to 55 feet in length.
- This application guide should be used with discretion.
- It is the final responsibility of the boat designer-builder to specify maximum expected steering loads.
- Meets ABS, Lloyd and Det Norske Veritas specifications.

Dometic Capilano Helm Pumps



- A unique variable displacement feature allows the number of steering wheel turns to be adjusted by the helmsman within a predetermined range.
- Shaft is 3/4" standard taper with 5/8" NF threads.
- Protected by built-in 1,000 PSI pressure relief valves.

Order No.	Mfg. No.	Model	Displacement:	List Price	
802505	(HH5250)	1250V	1.7 cu. in. - 3.4 cu. in.	\$1,427.39	F0-7199900
802517	(HH5275)	1275V	2.7 cu. in. - 5.4 cu. in.	\$1,458.09	F0-6602010

Dometic Capilano Cylinders - Trunion Mount



- Heavy duty brass cylinders with bleed fittings; chrome plated stainless steel rods.
- Stainless steel and bronze mounting hardware.
- Comes with stainless rod and bronze clevis.
- 7" standard travel, except **802644** (HC-5379) which has 11" standard travel.
- Single cylinder may be used for single rudder or dual rudder with tie bar.
- Balanced cylinders.

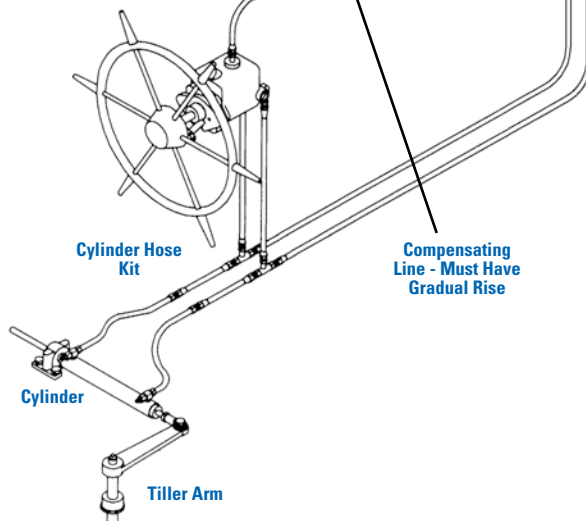
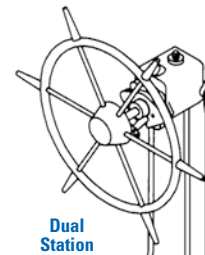
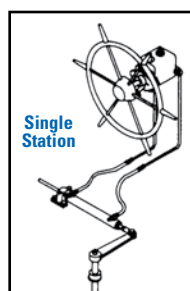
Order No.	Mfg. No. / Description	List Price	
802606	(HC5355) BA150-7TMC 7,117 in. lbs. 1250V	\$1,043.99	F0-9703700
802618	(HC5356) BA175-7TMC 9,569 in. lbs. 1250V	\$1,180.59	F0-1462800
802632	(HC5357) BA200-7TMC 13,200 in. lbs. 1250V	\$1,223.79	F0-5665800
802644	(HC5379) BA200-11TMC 19,900 in. lbs. 1275V	\$1,366.89	F0-2865900

Dometic Capilano Cylinder Hose Kit



- This hose kit contains two (2) 18" hoses.
- For single cylinder applications.

Order No.	Mfg. No. / Description	List Price	
802808	(HA5731)	\$91.19	F0-3836000



Dometic Fitting Kit for Capilano Steering



Order No.	Mfg. No. / Description	List Price	
801779	(HF5592) For 5/8" Copper Tubing	\$77.09	F0-6935000

Dometic Helm Seal Kit



- Seal kit for: HH5250 and HH5275 helm pumps.

Order No.	Mfg. No. / Description	List Price	
803204	(HS161)	\$51.79	F0-5263000

Dometic Cylinder Seal Kit



- Seal kit for: HC5378 and HC5379 cylinders.

Order No.	Mfg. No. / Description	List Price	
803266	(HS185)	\$60.99	F0-9624000

Dometic Inboard Power Steering



Steering today's high horse power luxury yachts and commercial boats all too often challenges the helmsman's physical endurance and cruising enjoyment.

The Dometic Power Steering System was designed specifically to meet this challenge, representing the ultimate in comfort, simplicity, safety and reliability. Superior design and selection of materials, precision manufacturing and rigid quality control all add up to an outstanding rugged product, continuing the Dometic tradition.

The Dometic open center Power Steering system has been designed to steer commercial and pleasure boats, requiring a maximum output force of 10,308 lbsf or 45,852 Newtons, or a maximum torque of 66,130 in-lbs or 7,472 Newton meters. If uncertain of your application, or you have special requirements, refer to the Dometic power steering brochure or consult the factory.

HOW IT WORKS

Dometic hydraulic power steering uses the ships engine(s) to provide the "POWER" for the power steering system, via an engine or electric motor driven hydraulic pump.

A manual hydraulic steering system consisting of a standard Dometic helm and a hydraulic steering cylinder, (fitted with an integral servo cylinder and a power steering valve) supplies the "control" portion of the power steering system.

Under normal conditions, with engines running, a hydraulic oil supply is in a stand-by mode, ready to be directed to the steering cylinder as dictated by the steering wheel, servo cylinder and power steering valve.

Turning the steering wheel left or right causes the power system to go from 'stand-by' into 'operating' mode and moves the steering cylinder accordingly.

In the event of a power source failure, hydraulic oil is automatically pumped directly from the steering helm into the servo and steering cylinder, providing the helmsman with manual back-up steering.

An engine room mounted oil reservoir allows easy system fill and assists the in-line oil cooler in cooling the hydraulic oil. An in-line oil filter helps protect the steering system components against contaminants.

POWER STEERING CYLINDER



- Effortless steering from docking to top speed.
- Responsive steering 3-1/2", turns lock to lock (or to suit).
- Automatic manual back up steering.
- Simplified installation.
- Multiple steering stations.
- Easy autopilot interface.

Order No.	Mfg. No. / Description	List Price	
800642	(HC5802) 9" x 2 Cylinder	\$2,369.09	F0-6385610
800645	(HC5804) 11" x 2 Cylinder	\$2,497.49	F0-4284710
800647	(HC5806) 9" x 2.5 Cylinder	\$3,165.39	F0-7751220

SELECTION GUIDE

Cylinder Part Number	Displacement Hulls (Standard)	Displacement Hulls (Heavy Duty)	Planning Hulls
HC5802 - Twin 9" x 2 Cylinder	Up to 75'	Up to 55'	Up to 85'
HC5804 - Twin 11" x 2 Cylinder	Up to 85'	Up to 60'	Up to 100'
HC5806 - Twin 9" x 2.5 Cylinder	Up to 110'	Up to 80'	Up to 120'

Cylinder Part Number	Displacement	Bore	Stroke
HC5802 - Twin 9" x 2 Cylinder	42.50"	2.0"	9"
HC5804 - Twin 11" x 2 Cylinder	52.00"	2.0"	11"
HC5806 - Twin 9" x 2.5 Cylinder	74.22"	2.5"	9"

Dometic Complete Seal Kit



- For power steering cylinder.
- Consists of: Main Cylinder, Servo Cylinder and Servo Valve.

Order No.	Mfg. No. / Description	List Price	
801390	(HS180)	\$89.29	F0-0526000

Dometic Servo Cylinder Seal

- For HC5801 and HC5803 power steering cylinders.

Order No.	Mfg. No. / Description	List Price	
801394	(HS197)	\$33.79	F0-7751220

Dometic Servo Valve Block Seal Kit



- For all power steering cylinders.

Order No.	Mfg. No. / Description	List Price	
801392	(HS196)	\$21.99	F0-9351000

Dometic Main Cylinder Seal

- For HC5801, HC5802, HC5803 and HC5804 power steering cylinders.

Order No.	Mfg. No. / Description	List Price	
801396	(HS198)	\$71.79	F0-5205000

- Electronics
- Trolling Motors
- Instruments
- Electrical
- Lighting
- Anchor & Dock
- Safety
- Steering, Controls**
- Pumps
- Fuel System
- Seating & Pedestals
- Trailering
- Tops & Covers
- Perform.
- Propellers
- Engine & Care
- Cleaning & Care
- Paint & Paint Acc.
- Fun & Flotation
- Topside Acc.
- Cockpit & Deck
- Hardware, Fasteners
- Camouflage
- Misc.
- Comm.

Hynautic Engine Mount Aluminum Cylinder - Balanced



- Cylinders with aluminum barrels and end caps are designed for boats up to 38 ft. where steering loads are less than 10,000 in. lbs. of torque.
- Cylinder barrel and ends are anodized T-6061 aluminum.
- Cylinder rods are 303 stainless steel.
- All cylinders have replaceable wiper seals.
- Shaft diameter: 7/8", Stroke: 7-3/4".

Order No.	Mfg. No. / Description	List Price	
401769	(K-6-NI)	\$968.19	FO-3777600

Hynautic Fixed Mount Inboard Cylinder

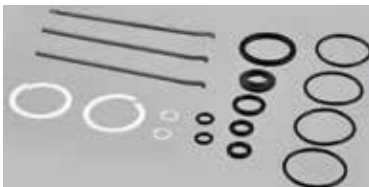


- This brass cylinder is for larger boats up to approximately 70 ft.
- Tubes, ends and external rods are brass, cylinder rods are 17-4 stainless steel and mounts are manganese bronze.
- Cylinder type: Fixed mount.
- Shaft diameter: 1-1/2", Stroke: 10".



Order No.	Mfg. No. / Description	List Price	
401822	(K-22)	\$927.69	FO-8394600

Hynautic Seal Kits for Cylinders



Order No.	Mfg. No. / Description	List Price	
402026	(KS-01) For K-11 - K-14 Cylinders	\$40.99	FO-9682000
401985	(KS-06) For K-21 - K-29 (After 08/83)	\$40.59	FO-1482000

Hynautic Adapter Kit for K-22 Cylinder



- K-27 replaced by K-22 cylinder.
- Requires 402015 (HP6039) purchase and installation to match K-27.

Order No.	Mfg. No. / Description	List Price	
402015	(HP6039)	\$279.29	FO-0559100

Hose Fitting



- Crimp, female SAE 45° - swivel - straight.
- 5/16" - fits Hynautic.

Order No.	Mfg. No. / Description	List Price	
401961	(108MS-6-5B)	\$8.19	GO-9450000

Hynautic Heavy Duty Helm Pumps



- Hynautic standard helm units combine one or two bi-directional axial piston pumps with pilot check and make-up check valving.
- The result is a unit which prevents rudder feedback, is very efficient (even at low RPM) and is immediately adaptable to multi-station use.
- For most work and pleasure vessels up to 70 feet.

Order No.	Mfg. No.	Displ.	Shaft Style Dia. & Type	List Price	
401404	(H-21)	2.75 cu. in.	1" Straight	\$1,107.09	FO-6947700
401428	(H-25)	2.75 cu. in.	3/4", 1"/ft. Tapered	\$1,107.09	FO-6947700
401442	(H-42-02)	4.00 cu. in.	3/4", 1"/ft. Tapered	\$1,918.89	FO-2234310

SEAL KITS

Order No.	Mfg. No. / Description	List Price	
401579	(HS-01) For H-20 Series (1978 & Earlier)	\$41.29	FO-0982000
401593	(HS-02) For H-20 Series (1979 to Date)	\$39.69	FO-8772000
401606	(HS-04) For H-40 Series (1979 to Date)	\$39.69	FO-8772000

Hynautic External Fluid Reservoir



- Made of T-6061 aluminum, reservoirs are pressure tested for a minimum of 100 hours and shipped complete with front reading pressure gauge, fluid level indicator and return line filter.
- Capacity: 2 quart.

Order No.	Mfg. No. / Description	List Price	
401624	(HP5810HY)	\$733.99	FO-9731500
401656	(HP6004) Gauge: 0-60 PSI (Bottom Mount)	\$34.99	FO-9442000

Hynautic External Pressure Relief Valve



- They are intended to protect the system's components and assist in purging air.
- Port size: 1/4 - 20 NPT.
- Relief setting: 950 PSI.

Order No.	Mfg. No. / Description	List Price	
401620	(MSV-21)	\$271.29	FO-0998100



Hynautic to Dometic Cross Reference

Hynautic Part No.	Hynautic Description	Dometic Part No.	Dometic Description	Remarks
H-116	Rear Mount Helm - 1.6 cu. in.	HH5260-3	Dometic Rear Mount Helm - 1.4 cu. in.	Advisory Note 764618
H-120	Rear Mount Helm - 2.0 cu. in.	HH5261-3	Dometic Rear Mount Helm - 1.7 cu. in.	Advisory Note 764618
H-124	Rear Mount Helm - 2.4 cu. in.	HH5262-3	Dometic Rear Mount Helm - 2.4 cu. in.	Advisory Note 764618
H-21	Heavy Duty Helm - 1" Straight, 2.75 cu. in.	N/A		Will continue to manufacture 20 Series Helms
H-22	Heavy Duty Helm - 1" Straight, 2.00 cu. in.	N/A		Will continue to manufacture 20 Series Helms
H-22-2	Heavy Duty Helm - 1" Straight, 1.6 cu. in.	N/A		Will continue to manufacture 20 Series Helms
H-25	Heavy Duty Helm - 3/4", 1"/ft Tapered, 2.75 cu. in.	N/A		Will continue to manufacture 20 Series Helms
H-26	Heavy Duty Helm - 3/4", 1"/ft Tapered, 2.00 cu. in.	N/A		Will continue to manufacture 20 Series Helms
H-29	Heavy Duty Helm - 1" Straight, 2.75 cu. in.			Designed for Auto Pilot Drive
H-41	Heavy Duty Helm - 1" Straight, 5.50 cu. in.	N/A		Will continue to manufacture 40 Series Helms
H-41-2	Heavy Duty Helm - 3/4", 1"/ft Tapered, 5.50 cu. in.	N/A		Will continue to manufacture 40 Series Helms
H-42	Heavy Duty Helm - 1" Straight, 4.00 cu. in.	N/A		Will continue to manufacture 40 Series Helms
H-42-2	Heavy Duty Helm - 3/4", 1"/ft Tapered, 4.00 cu. in.	N/A		Will continue to manufacture 40 Series Helms
H-42-4	Heavy Duty Helm	N/A		Will continue to manufacture 40 Series Helms
H-216	Tilt Helm - 1.6 cu. in.	HH6541-3	Dometic Classic Tilt Helm - 1.7 cu. in.	
H-220	Tilt Helm - 2.0 cu. in.	HH6543-3	Dometic Classic Tilt Helm - 2.0 cu. in.	
H-224	Tilt Helm - 2.4 cu. in.	HH6542-3	Dometic Classic Tilt Helm - 2.4 cu. in.	
H-316	Marol Helm - 1.6 cu. in.	HH5271-3	Dometic Front Mount Helm - 1.7 cu. in.	Advisory Note 764621
H-320	Marol Helm - 2.0 cu. in.	HH5273-3	Dometic Front Mount Helm - 2.0 cu. in.	Advisory Note 764621
H-324	Marol Helm - 2.4 cu. in.	HH5272-3	Dometic Front Mount Helm - 2.4 cu. in.	Advisory Note 764619
H-38	H-25 Helm with Shorter Shaft (Special)			
H-50	Heavy Duty Helm - 3/4" Tapered, 2.00 cu. in.	HH5273-3	Dometic Front Mount Helm - 2.0 cu. in.	Advisory Note 764623
H-51	Heavy Duty Helm - 3/4" Tapered, 2.75 cu. in.	HH5272-3	Dometic Front Mount Helm - 2.4 cu. in.	Advisory Note 764623
H-52	Heavy Duty Helm - 3/4" Tapered, 1.65 cu. in.	HH5271-3	Dometic Front Mount Helm - 1.7 cu. in.	Advisory Note 764623
H-702-4	Tilt Helm DF 3/4" Spline			Product for the Industrial Market
H-816	1.6 80 Series Compact Helm w/Int. Reservoirs & Relief	HH5271-3	Dometic Front Mount Helm - 1.7 cu. in.	Advisory Note 764622
H-820	2.0 80 Series Compact Helm w/Int. Reservoirs & Relief	HH5273-3	Dometic Front Mount Helm - 2.0 cu. in.	Advisory Note 764622
H-824	2.4 80 Series Compact Helm w/Int. Reservoirs & Relief	HH5272-3	Dometic Front Mount Helm - 2.4 cu. in.	Advisory Note 764622
K-1-B	Inboard Universal Mount Cylinder - Stroke 9"	HC5369	Cylinder - BA150-9TM - Stroke 9"	Advisory Note 764624
K-1-C	Inboard Universal Mount Cylinder - Stroke 9"	HC5369	Cylinder - BA150-9TM - Stroke 9"	Advisory Note 764624
K-2-B	Inboard Universal Mount Cylinder - Stroke 9"	HC5373	Cylinder - BA175-9TM - Stroke 9"	Advisory Note 764625
K-2-C	Inboard Universal Mount Cylinder - Stroke 9"	HC5373	Cylinder - BA175-9TM - Stroke 9"	Advisory Note 764625
K-3-B	Inboard Universal Mount Cylinder - Stroke 9"	HC5802	Cylinder - BA200-9TM - Stroke 9"	Retracted Length is ~ 3.5" Longer on the HC5802 Cyl. - Advisory Note 764615
K-3-C	Inboard Universal Mount Cylinder - Stroke 9"	HC5802	Cylinder - BA200-9TM - Stroke 9"	Retracted Length is ~ 3.5" Longer on the HC5802 Cyl. - Advisory Note 764615
K-4-B	Inboard Universal Mount Cylinder - Stroke 12"	HC5378	Cylinder - BA200-11TM - Stroke 11"	1" Shorter Stroke - Advisory Note 764616
K-4-C	Inboard Universal Mount Cylinder - Stroke 12"	HC5378	Cylinder - BA200-11TM - Stroke 11"	1" Shorter Stroke - Advisory Note 764616
K-5	Inboard Unbalanced 150 Cylinder - Stroke 9"			
K-6	Outboard Front Mount, Drag Link Cylinder			HyTrac kits will remain in some form
K-6S	I/O K-6 Cylinder (Non Power-Assist)	HC5332	I/O Merc/Volvo SX 135-7EM Cyl.	
K-8	Inboard Universal Mount Cylinder - Stroke 9.5"	HC5806	Large Inboard Cylinder - Stroke 9"	
K-9	Inboard Universal Mount Cylinder - Stroke 14.5"			
K-10	Outboard Slide Plate Cylinder - Stroke 9.5"			
K-11	Outboard Ball Mount Cylinder - Stroke 9"	HC5370-3	Dometic Pivot Mounts	
K-12	Outboard Ball Mount Cylinder - Stroke 7"	HC5370-3	Outboard Side Mount Cylinder - Stroke 8"	Advisory Notice 764613
K-13	Outboard Side Mount Cylinder - Stroke 9"	HC5380-3	Outboard Side Mount Cylinder - Stroke 8"	2" Longer Stroke - Advisory Notice 764613
K-14	Outboard Side Mount Cylinder - Stroke 7"	HC5380-3	Outboard Splashwell Mount Cyl. - Stroke 9"	1" Shorter Stroke - Advisory Notice 764614
K-18	Inboard Universal Mount Cylinder - Stroke 7"	HC5322-3	Outboard Splashwell Mount Cyl. - Stroke 9"	Advisory Notice 764614
K-19	Inboard Universal Mount Cylinder - Stroke 9"	HC5323-3	Universal Mount Cylinder - Stroke 7"	Stroke & Mount Differ
K-22	Inboard Fixed Mount Cylinder - Stroke 10"	K-22	Universal Mount Cylinder - Stroke 9"	Stroke & Mount Differ
K-27	Inboard Fixed Mount Cyl. - Rod Ends on both ends	K-27		The Hynautic Version will stay as is
K-28	Inboard Fixed Mount Cylinder - Stroke 12"	K-22		The Hynautic Version will stay as is
K-29	Inboard Fixed Mount Cyl. - Rod Ends on both ends	K-27		Only Difference is the Stroke
K-31	Inboard Fixed Mount Cylinder - Stroke 10"	K-31		Only Difference is the Stroke
K-33	Inboard Fixed Mount Cylinder			The Hynautic Version will stay as is
K-51	Inboard BA150-7 Cylinder	HC5314	I/B BA150-7ATM Cylinder	Advisory Notice 764626
K-59	Inboard Tube Mount Unbalanced 125 - 7" Cylinder	HC5370	O/B Side Mount Cylinder	HC Versions are Unbalanced, K-59 is a
		HC5328	I/O 125-8EM Cylinder	Balanced Cylinder See Application for details
		HC5329	I/O 125-8VEM Cylinder	for Specific Cylinder
PSK-10	Servo Cylinder	HC5801	Dometic P/S 9" Cylinder	Replaces PSK-10 and Power Cylinder
PSK-11	Open Center Servo Cylinder	HC5803	Dometic P/S 11" Cylinder	Replaces PSK-11 and Power Cylinder
PSK-12	Closed Center Servo Cylinder			No Equivalent Product

Electronics

Trolling Motors

Instruments

Electrical

Lighting

Anchor & Dock

Safety

Steering, Controls

Pumps

Fuel System

Seating & Pedestals

Trailering

Tops & Covers

Perform.

Propellers

Engine & Care

Cleaning & Care

Paint & Paint Acc.

Fun & Flotation

Topside Acc.

Cockpit & Deck

Hardware, Fasteners

Camouflage

Misc.

Comm.

Uflex Hytech Hydraulic Steering Package



2006825

NOW RATED TO 175 HP



2006828

NEW ITEM

- An easy and affordable outboard hydraulic steering solution for boats with up to 175 HP. The kit features the unique split tilt tube rod that allows for installation of the cylinder without removing the engine. Coupled with the composite UP20 F helm, the Hytech offers effortless steering with 5 turns lock-to-lock. Applicable to almost all 2 and 4 stroke outboard engines.
- **WARNING:** Depending on the applications, the UC94-OBF is available in 2 versions: UC950BF-1 and UC950BF-3. UC950BF-1 cylinder is not suitable for Honda BF115 and BF130 engines and Mercury Optimax 75, 90, 115. For these engines UC950BF-3 is available (Not included in package).

HYTECH HYDRAULIC STEERING PACKAGE

- Kit includes:
 (1) UP20FM Helm (1) UC950BF-1 Cylinder
 (2) Quarts of Hydraulic Oil 40' of Cut to Length Tubing

Order No.	Mfg. No. / Description	List Price	
2006825	(HYTECH 1.0)	\$842.49	FO-4798500

HYTECH 1.1 TILT HYDRAULIC STEERING PACKAGE

- Kit includes:
 (1) UP20FM Helm (1) UC950BF-1 Cylinder
 (2) Quarts of Hydraulic Oil (1) Tilt Mechanism
 40' of Cut to Length Tubing

Order No.	Mfg. No. / Description	List Price	
2006828	(HYTECH1T)	\$968.75	Z0-0057700

Uflex Protech Front Mount Outboard Hydraulic Steering Packages



MUST ORDER HOSE KIT SEPARATELY PAGE 469

- Kit includes:
 (1) UP28-F Helm (1) UC128-OBF Cylinder
 (2) Quarts of Hydraulic Oil
- **Recommended for:**
 Single Engine/Single Cylinder Up to 300 HP
 Dual Engine/Single Cylinder Up to 300 HP (non counter rotating engines)
 Dual Engine/Single Cylinder Up to 500 HP (counter rotating engines)
 Dual Engine/Dual Cylinder Up to 500 HP (non counter rotating engines)
 Dual Engine/Dual Cylinder Up to 600 HP (counter rotating engines)
- Please see cylinder application guide on the **Page 464**.

Order No.	Mfg. No. / Description	List Price	
8033000	(PROTECH 1.0) Includes: UC128-OBF/1 Cyl.	\$1,190.49	FO-4333800
8033005	(PROTECH 2.0) Includes: UC128-OBF/2 Cyl.	\$1,190.49	FO-4333800

Uflex SilverSteer Hydraulic Steering Packages



MUST ORDER HOSE KIT SEPARATELY PAGE 469

- Specially designed for high performance, high torque applications. Recommended for bass boats, flat boats and tournament fishing boats.
- **Recommended for:**
 Single Engine/Single Cylinder Up to 350 HP
 Dual Engine/Single Cylinder Up to 350 HP (non counter rotating engines)
 Dual Engine/Single Cylinder Up to 600 HP (counter rotating engines)
 Dual Engine/Dual Cylinder Up to 600 HP (non counter rotating engines)
 Dual Engine/Dual Cylinder Up to 700 HP (counter rotating engines)
- Please see cylinder application guide on the **Page 465**.

SILVERSTEER HYDRAULIC STEERING PACKAGES

- Kit includes:
 (1) UP25-F-SVS Helm (1) UC128-SVS Cylinder
 (2) Quarts of Hydraulic Oil

Order No.	Mfg. No. / Description	List Price	
2007105	(SILVERSTEER1) Includes: UC128-SVS 1 Cyl.	\$1,352.49	FO-4764900
2007115	(SILVERSTEER2) Includes: UC128-SVS 2 Cyl.	\$1,300.39	FO-7201900

SILVERSTEER XP HYDRAULIC STEERING PACKAGE

- Kit includes:
 (1) UP25-F-SVS Helm (1) UC130-SVS Cylinder
 (2) Quarts of Hydraulic Oil

Order No.	Mfg. No. / Description	List Price	
2007125	(SILSTEERXP2) Includes: UC130-SVS 2 Cyl.	\$1,352.49	FO-4764900

SILVERSTEER TILT HYDRAULIC STEERING PACKAGES

- Kit includes:
 (1) UP25-T-SVS-X70 Helm (1) UC128-SVS Cylinder
 (2) Quarts of Hydraulic Oil

Order No.	Mfg. No. / Description	List Price	
2007110	(SILVERSTE1TB) Includes: UC128-SVS 1 Cyl.	\$1,492.69	FO-8844010
2007120	(SILVERSTER2T) Includes: UC128-SVS 2 Cyl.	\$1,552.49	FO-4768010

Uflex Gotech Hydraulic Steering Package



- For outboard single engine up to 115 HP.
- Kit includes:
 (1) UP18 - Intermediate Mount Helm Pump
 (1) UC81-OBF - Front Mount Outboard Cylinder
 (2) Quarts of Hydraulic Oil
 (1) TU95 - 30' Hose Kit - Diameter 3/8"

Order No.	Mfg. No. / Description	List Price	
2006820	(GOTECH1.0)	\$857.19	FO-3000600

- Electronics
- Trolling Motors
- Instruments
- Electrical
- Lighting
- Anchor & Dock
- Safety
- Steering, Controls
- Pumps
- Fuel System
- Seating & Pedestals
- Trailering
- Tops & Covers
- Perform.
- Propellers
- Engine & Care
- Cleaning & Care
- Paint & Paint Acc.
- Fun & Flotation
- Topside Acc.
- Cockpit & Deck
- Hardware, Fasteners
- Camouflage
- Misc.
- Comm.

Uflex Front Mount Helm



- Built-in lock valve for positive rudder lock.
- Integral relief valve for over-pressure protection.
- 3/4" tapered stainless steel shaft.
- Corrosion proof composite housing.
- Easy accessible lock valve and shaft seal for replacement.
- Includes 90° adjustable fittings for 3/8" tube.
- 1,000 psi relief valve.
- For use with UC94-OBF, UC116-OBF and UC128-OBF cylinders only.

Order No.	Mfg. No. / Description	List Price	
2007210	(UP20FM) 1.5 cu. in.	\$495.09	F0-6564300

Uflex Front Mount Helm - High Performance



- Compact design.
- Ball bearing piston race.
- Built-in lock valve for positive rudder lock.
- Integral relief valve for over-pressure protection.
- 1,500 psi relief valve.
- 3/4" tapered stainless steel shaft.
- Easy accessible lock valve and shaft seal for replacement.
- Cast iron rotor for greater durability and longer life.
- Includes 90° adjustable fittings for 3/8" tube.

Order No.	Mfg. No. / Description	List Price	
2007222	(UP25F-SVS) 1.5 cu. in.	\$636.09	F0-6254400

Uflex Front Mount Outboard Cylinder



- Intended for single engine applications of 150 HP and under, the UC94 cylinder is compatible with competing helms, hoses and oil, and is built to last with heavy duty stainless steel cylinder rod, seals and link assemblies.
- Constructed of top grade materials this cylinder is simple to install and fits almost every two and four stroke outboard engine in the market.
- The UC94 is recommended for use with the UP20 series helm and pre-made hose kits (Kit OB and Kit OB-BHBR).
- Inside diameter: 1.18", stroke: 7.3".

Order No.	Mfg. No. / Description	List Price	
8033350	(UC94OB-1)	\$510.49	F0-4375300

Uflex Side Mount Cylinder

- Unbalanced; the number of turns lock-to-lock is not equal port to starboard and vice-versa.
- UC132-OBS side mount cylinder features a turning nut for fast and easy installation to the engine tube (PATENTED).
- Not recommended for use in installations where the boat speed exceeds 51.5 mph and the power exceeds max Coast Guard recommendation for the boat.
- Inside diameter: 1.25".
- Stroke: 8".

Order No.	Mfg. No. / Description	List Price	
8033335	(UC132-OBS)	\$494.69	F0-8264300

Uflex Front Mount Helms



- Compact design.
- Ball bearing piston race.
- Built-in lock valve for positive rudder lock.
- Integral relief valve for over-pressure protection.
- 1,000 psi relief valve.
- 3/4" tapered stainless steel shaft.
- Easy accessible lock valve and shaft seal for replacement.
- Cast iron rotor for greater durability and longer life.
- Includes 90° adjustable fittings for 3/8" tube.
- Direct "drop in" replacement for competing helms.

Order No.	Mfg. No. / Description	List Price	
2007220	(UP25FM) 1.5 cu. in.	\$637.39	F0-7164400
8033355	(UP28FM) 1.7 cu. in.	\$651.59	F0-1165400
8033365	(UP33FM) 2.0 cu. in.	\$718.59	F0-1030500

Uflex Tilt Mount Helms



- Compact design.
- Ball bearing piston race.
- Built-in lock valve for positive rudder lock.
- Integral relief valve for over-pressure protection.
- 1,000 psi relief valve.
- 3/4" tapered stainless steel shaft.
- Easily accessible lock valve & shaft seal for replacement.
- Cast iron rotor for greater durability and longer life.
- Includes 90° adjustable fittings for 3/8" tube.
- Tilt range of 48° and five locking positions.

Order No.	Mfg. No. / Description	List Price	
8033360	(UP28T-X52) 1.7 cu. in.	\$952.29	F0-0666600
8033370	(UP33T-X52) 2.0 cu. in.	\$870.89	F0-2690600

Uflex Inboard Cylinders



- Aluminum.
- All balanced cylinders: the number of turns lock-to-lock is equal port to starboard and vice-versa.

Order No.	Mfg. No. / Description	List Price	
8033100	(UC116-I) Inside Diameter: 1.25", Stroke: 7"	\$512.99	F0-9095300
8033340	(UC168-I) Inside Diameter: 1.57", Stroke: 7"	\$641.59	F0-1194400
8033345	(UC215-I) Inside Diameter: 1.57", Stroke: 9"	\$616.99	F0-9813400



- Electronics
- Trolling Motors
- Instruments
- Electrical
- Lighting
- Anchor & Dock
- Safety
- Steering, Controls**
- Pumps
- Fuel System
- Seating & Pedestals
- Trailering
- Tops & Covers
- Perform.
- Propellers
- Engine & Care
- Cleaning & Care
- Paint & Paint Acc.
- Fun & Flotation
- Topside Acc.
- Cockpit & Deck
- Hardware, Fasteners
- Camouflage
- Misc.
- Comm.

Uflex Front Mount Outboard Cylinders



Order No.	Mfg. No. / Description	List Price	Part No.
2007190	(UC128TS-1) Starboard Side Link Arm	\$714.39	FO-7000500
8033305	(UC128TS-2) Starboard Side Link Arm	\$742.89	FO-2002500
8033300	(UC128TS-1P) Port Side Link Arm	\$742.89	FO-2002500
8033310	(UC128TS-2P) Port Side Link Arm	\$742.89	FO-2002500
2007195	(UC128ENDCAP) End Cap	\$23.89	FO-2761000

- Compatible with competing helms, hoses and oil, the UC128 cylinder is built to last with heavy duty stainless steel cylinder rod, seals and link assemblies.
- Constructed of top grade materials, this cylinder is simple to install and fits almost every 2 and 4 stroke outboard engine in the market.
- See the application guide below to choose the appropriate cylinder (UC128 OBF 1 or UC128 OBF 2) for your application.
- Recommended for:
 - Single Engine/Single Cylinder Up to 300 HP
 - Dual Engine/Single Cylinder Up to 300 HP (non counter rotating engines)
 - Dual Engine/Single Cylinder Up to 500 HP (counter rotating engines)
 - Dual Engine/Dual Cylinder Up to 500 HP (non counter rotating engines)
 - Dual Engine/Dual Cylinder Up to 600 HP (counter rotating engines)

Uflex UC128-OBF Front Mount Cylinder Application

Engine	Model	Year	Cylinder	Part Number	Packaged
MERCURY/MARINER	115-125-150 EFI 2 Stroke	1990-07	UC128OBF-1	43231 N	PROTECH 1
	225-250 EFI 2 Stroke	2000-07	UC128OBF-1	43231 N	PROTECH 1
	75-90-115 Optimax	2004 to Date	UC128OBF-3	43233 T	PROTECH 3
	135-150-175 Optimax	1999 to Date	UC128OBF-1	43231 N	PROTECH 1
	200-225-250 Optimax	1999 to Date	UC128OBF-1	43231 N	PROTECH 1
	Racing 300 Optimax	1999-11	UC128OBF-1	43231 N	PROTECH 1
	100-115 EFI 4 Stroke	2007 to Date	UC128OBF-1	43231 N	PROTECH 1
	250 Saltwater EFI 4 Stroke	2007-11	UC128OBF-1	43231 N	PROTECH 1
	135-150-175-200 Verado L4	2004 to Date	UC128OBF-1	43231 N	PROTECH 1
	175-200 V6 4 Stroke	2018 to Date	UC128OBF-1	43231 N	PROTECH 1
225-300 V8 4 Stroke	2018 to Date	UC128OBF-1	43231 N	PROTECH 1	
EVINRUDE	E75-E90 2 Stroke	2004 to Date	UC128OBF-2	43232 R	PROTECH 2
	E115-E130-E135 V4 2 Stroke	1995 to Date	UC128OBF-2	43232 R	PROTECH 2
	E150-E175-E200-E225-E250-E300 V6 2 Stroke	1995 to Date	UC128OBF-2	43232 R	PROTECH 2
YAMAHA	115C-130B 2 Stroke	1990-08	UC128OBF-2	43232 R	PROTECH 2
	75C-90 2 Stroke	1998-08	UC128OBF-2	43232 R	PROTECH 2
	115C-130B 2 Stroke	1990-08	UC128OBF-2	43232 R	PROTECH 2
	150F-200F-250G 2 Stroke	1996-07	UC128OBF-2	43232 R	PROTECH 2
	150 HP DI Vmax 2 Stroke	2000-08	UC128OBF-2	43232 R	PROTECH 2
	175-200-225-250-300 HP DI Vmax 2 Stroke	2000-08	UC128OBF-2	43232 R	PROTECH 2
	F115-F150 EFI 4 Stroke	1999-07	UC128OBF-1	43231 N	PROTECH 1
	F200-F225-F250 4 Stroke	2002-07	UC128OBF-2	43232 R	PROTECH 2
	F70 4 Stroke	2010 to Date	UC128OBF-1P	43234 V	PROTECH 1
	F115-F150-F175-F200 L4 4 Stroke	2004 to Date	UC128OBF-1	43231 N	PROTECH 1
F200-F225-F250-F300 V6 4 Stroke	2004 to Date	UC128OBF-2	43232 R	PROTECH 2	
HONDA	BF75-BF90 4 Stroke	1995 to Date	UC128OBF-1	43231 N	PROTECH 1
	BF115-BF130 4 Stroke	1998 to Date	UC128OBF-3	43233 T	PROTECH 3
	BF135-BF150 4 Stroke	2005 to Date	UC128OBF-1	43231 N	PROTECH 1
	BF150 V-Tec 4 Stroke	2008 to Date	UC128OBF-1	43231 N	PROTECH 1
	BF175-BF200-BF225-BF250 4 Stroke	2001 to Date	UC128OBF-1	43231 N	PROTECH 1
SUZUKI	DF70-80-90 4 Stroke	1998 to Date	UC128OBF-2	43232 R	PROTECH 2
	DF100-115-140 4 Stroke	1998-08	UC128OBF-1*	43231 N	PROTECH 1
	DF100-115-140 4 Stroke	1998 to Date	UC128OBF-1	43231 N	PROTECH 1
	DF150-175-200 L4 4 Stroke	2006 to Date	UC128OBF-1	43231 N	PROTECH 1
	DF200-DF225-DF250-DF300-DF350 V6 4 Stroke	2004 to Date	UC128OBF-2	43232 R	PROTECH 2
TOHATSU	115-120-140 2 Stroke	2004 to Date	UC128OBF-2	43232 R	PROTECH 2
	70-90-115 TLDI 4 Stroke	2004 to Date	UC128OBF-1	43231 N	PROTECH 1
	BFT60-75-90 4 Stroke	2015 to Date	UC128OBF-1	43231 N	PROTECH 1
	BFT80-100-115 4 Stroke	2015 to Date	UC128OBF-3	43233 T	PROTECH 3
	BFT150-200-225-250 4 Stroke	2015 to Date	UC128OBF-1	43231 N	PROTECH 1
SELVA	80 Portofino/Tigershark 2 Stroke	1995-08	UC128OBF-1	43231 N	PROTECH 1
	150 White Shark 2 Stroke	2001-07	UC128OBF-2	43232 R	PROTECH 2
	100 EFI Marlin/115 EFI Narwhal/150 EFI Killer Whale 4S	2000 to Date	UC128OBF-1	43231 N	PROTECH 1
JOHNSON	BJ90-115-140 4 Stroke	2001-07	UC128OBF-1	43231 N	PROTECH 1
	J90-115 V4 2 Stroke	1995-07	UC128OBF-2	43232 R	PROTECH 2
	J150-175 V6 2 Stroke	1995-07	UC128OBF-2	43232 R	PROTECH 2
	J200-225 V6 4 Stroke	2004-07	UC128OBF-2	43232 R	PROTECH 2

Uflex High Performance Front Mount Outboard Cylinders



- Specially designed for high performance, high torque applications the Silver Steer UC128 SVS cylinder is recommended for bass boats, flats boats and tournament fishing boat. Compatible with competing helms, hoses and oil, the UC128 SVS is built to last with heavy duty stainless steel cylinder rod, seals and link assemblies. Constructed of top grade materials this cylinder is simple to install and fits almost every two and four stroke outboard engine in the market.
- See the application guide below to choose the appropriate cylinder (UC128 OBF 1 or UC128 OBF 2) for your application.
- Recommended for:
 - Single Engine/Single Cylinder Up to 350 HP
 - Dual Engine/Single Cylinder Up to 350 HP (non counter rotating engines)
 - Dual Engine/Single Cylinder Up to 600 HP (counter rotating engines)
 - Dual Engine/Dual Cylinder Up to 600 HP (non counter rotating engines)
 - Dual Engine/Dual Cylinder Up to 700 HP (counter rotating engines)

Order No.	Mfg. No. / Description	List Price
8033315	(UC128-SVS 1) Starboard Side Link Arm	\$835.39 F0-7748500
8033325	(UC128-SVS 2) Starboard Side Link Arm	\$835.39 F0-7748500
8033320	(UC128-SVS 1P) Port Side Link Arm	\$835.39 F0-7748500
8033330	(UC128-SVS 2P) Port Side Link Arm	\$835.39 F0-7748500

Uflex UC128-SVS Front Mount Cylinder Application

Engine	Model	Year	Cylinder	Part Number	Packaged
MERCURY/MARINER	115-125-150 EFI 2 Stroke	1990-07	UC128SVS-1	41281 U	SilverSteer 1
	225-250 EFI 2 Stroke	2000-07	UC128SVS-1	41281 U	SilverSteer 1
	135-150-175 Optimax	1999 to Date	UC128SVS-1	41281 U	SilverSteer 1
	200-225-250 Optimax	1999 to Date	UC128SVS-1	41281 U	SilverSteer 1
	Racing 300 Optimax	1999-11	UC128SVS-1	41281 U	SilverSteer 1
	250 Saltwater EFI 4 Stroke	2007-11	UC128SVS-1	41281 U	SilverSteer 1
	135-150-175-200 Verado L4	2004 to Date	UC128SVS-1	41281 U	SilverSteer 1
	175-200 V6 4 Stroke	2018 to Date	UC128SVS-1	41281 U	SilverSteer 1
	225-300 V8 4 Stroke	2018 to Date	UC128SVS-1	41281 U	SilverSteer 1
EVINRUDE	E115-E130-E135 V4 2 Stroke	1995 to Date	UC128SVS-2	41282 W	SilverSteer 2
	E150-E175-E200-E225-E250-E300 V6 2 Stroke	1995 to Date	UC128SVS-2	41282 W	SilverSteer 2
YAMAHA	115C-130B 2 Stroke	1990-08	UC128SVS-2	41282 W	SilverSteer 2
	150F-200F-250G 2 Stroke	1996-07	UC128SVS-2	41282 W	SilverSteer 2
	150 HP DI Vmax 2 Stroke	2000-08	UC128SVS-2	41282 W	SilverSteer 2
	175-200-225-250-300 HP DI Vmax 2 Stroke	2000-08	UC128SVS-2	41282 W	SilverSteer 2
	F115-F150 EFI 4 Stroke	1999-07	UC128SVS-1	41281 U	SilverSteer 1
	F200-F225-F250 4 Stroke	2002-07	UC128SVS-2	41282 W	SilverSteer 2
	F115-F150-F175-F200 L4 4 Stroke	2004 to Date	UC128SVS-1	41281 U	SilverSteer 1
	F200-F225-F250-F300 V6 4 Stroke	2004 to Date	UC128SVS-2	41282 W	SilverSteer 2
	F350 V8 4 Stroke	2006 to Date	UC128SVS-1	41281 U	SilverSteer 1
HONDA	BF135-BF150 4 Stroke	2005 to Date	UC128SVS-1	41281 U	SilverSteer 1
	BF150 V-Tec 4 Stroke	2008 to Date	UC128SVS-1	41281 U	SilverSteer 1
	BF175-BF200-BF225-BF250 4 Stroke	2001 to Date	UC128SVS-1	41281 U	SilverSteer 1
SUZUKI	DF100-115-140 4 Stroke	2008 to Date	UC128SVS-1	41281 U	SilverSteer 1
	DF150-175-200 L4 4 Stroke	2006 to Date	UC128SVS-1	41281 U	SilverSteer 1
	DF200-DF225-DF250-DF300-DF350 V6 4 Stroke	2004 to Date	UC128SVS-2	41282 W	SilverSteer 2
TOHATSU	115-120-140 2 Stroke	2004 to Date	UC128SVS-2	41282 W	SilverSteer 2
	70-90-115 TLDI 4 Stroke	2004 to Date	UC128SVS-1	41281 U	SilverSteer 1
	BFT60-75-90 4 Stroke	2015 to Date	UC128SVS-1	41281 U	SilverSteer 1
SELVA	80 Portofino/Tigershark 2 Stroke	1995-08	UC128SVS-1	41281 U	SilverSteer 1
	150 White Shark 2 Stroke	2001-07	UC128SVS-2	41282 W	SilverSteer 2
	100 EFI Marlin/115 EFI Narwhal/150 EFI Killer Whale 4S	2000 to Date	UC128SVS-1	41281 U	SilverSteer 1
JOHNSON	BJ90-115-140 4 Stroke	2001-07	UC128SVS-1	41281 U	SilverSteer 1
	J90-115 V4 2 Stroke	1995-07	UC128SVS-2	41282 W	SilverSteer 2
	J150-175 V6 2 Stroke	1995-07	UC128SVS-2	41282 W	SilverSteer 2
	J200-225 V6 4 Stroke	2004-07	UC128SVS-2	41282 W	SilverSteer 2
OXE	200 HP Diesel	2018 to Date	UC128SVS-1	41281 U	SilverSteer 1

- Electronics
- Trolling Motors
- Instruments
- Electrical
- Lighting
- Anchor & Dock
- Safety
- Steering, Controls**
- Pumps
- Fuel System
- Seating & Pedestals
- Trailering
- Tops & Covers
- Perform.
- Propellers
- Engine & Care
- Cleaning & Care
- Paint & Paint Acc.
- Fun & Flotation
- Topside Acc.
- Cockpit & Deck
- Hardware, Fasteners
- Camouflage
- Misc.
- Comm.

• WARNING: These recommendations should be used as a general reference only. Final selection should be made with the assistance of a qualified installation technician.



- Electronics
- Trolling Motors
- Instruments
- Electrical
- Lighting
- Anchor & Dock
- Safety
- Steering, Controls**
- Pumps
- Fuel System
- Seating & Pedestals
- Trailering
- Tops & Covers
- Perform.
- Propellers
- Engine & Care
- Cleaning & Care
- Paint & Paint Acc.
- Fun & Flotation
- Topside Acc.
- Cockpit & Deck
- Hardware, Fasteners
- Camouflage
- Misc.
- Comm.

Part Number	Image	Description	Part Number	Image	Description
UC94 HARDWARE			UC1280BF HARDWARE		
40878B		UC94 Spacer Kit	40735C		UC1280BF/UC128-SVS Spacer Kit
73838G		Stainless Link Arm Bushing	73838G		Stainless Link Arm Bushing
71207A		Plastic Internal Link Arm Bushing	71207A		Plastic Internal Link Arm Bushing
42838Z		UC94 Tiller Bolt Kit	40822X		UC1280BF/UC128-SVS Tiller Bolt Kit
40736E-UC94		UC94 Mounting Hardware	40736E		UC1280BF Mounting Hardware
40174M		UC94 Tilt Tube Rod	73115F		UC1280BF/UC128-SVS Tilt Tube Rod

Part Number	Image	Description	Part Number	Image	Description
UC128-SVS HARDWARE					
40735C		UC1280BF/UC128-SVS Spacer Kit	40822X		UC1280BF/UC128-SVS Tiller Bolt Kit
73838G		Stainless Link Arm Bushing	40736E-SVS		UC1280BF Mounting Hardware
71207A		Plastic Internal Link Arm Bushing	73115F		UC1280BF/UC128-SVS Tilt Tube Rod

Uflex Fittings Chart

Part Number	Image	Description	Typical Application	Thread
AF45 (41284A)		45° Adjustable Fitting	Fitting for the back of the UP Series Helms	ORB, Size #6 to 3/8 Comp Fitting Helm Side = 9/16 - 18 UNF 2A Hose Side = 9/16 - 24 UNEF 2A
AF90 (74144U)		90° Adjustable Fitting	Fitting for the back of the UP Series Helms	ORB, Size #6 to 3/8 Comp Fitting Helm Side = 9/16 - 18 UNF 2A Hose Side = 9/16 - 24 UNEF 2A
(71928P)		Brass Plug with O-ring for Pumps	Compensating line brass plug of the UP Series Helms	1/4 NPT Plug Helm Side = 1/4 NPT
Connector Fitting SF38 (39471L)		Straight Helm Fitting 1/4 NPT	Fitting for the compensating line in the UP Series Helms or autopilot return line	1/4 NPT to 3/8 Comp Fitting Helm Side = 1/4 NPT Hose Side = 9/16 - 24 UNEF 2A
Helm Fitting EF38 (39472N)		90° Helm Fitting for UP Series	Fitting for port/starboard line in UP Series Helms prior to the boss fittings	1/4 NPT to 3/8 Comp Fitting Helm Side = 1/4 NPT Hose Side = 9/16 - 24 UNEF 2A
(71955T)		Boss Style T-Fitting Nickel	Fitting for back of helm in a dual station installation	ORB, Size #6 to 3/8 Comp Fitting Cyl/Helm Side = 9/16 - 18 UNF 2A Hose Side = 9/16 - 24 UNEF 2A
T-Fitting		1/4 NPT to 3/8 T-Fitting	Fitting used in the back of the previous version of the UP Series Helms before the boss fitting	1/4 NPT to 3/8 Comp Fitting Helm Side = 1/4 NPT Hose Side = 9/16 - 24 UNEF 2A
Boss Fitting VFNO38 (40868Y)		Complete Boss Fitting UC1280BF	Bleed fitting for all outboard cylinders	ORB, Size #6 to 3/8 Comp Fitting Cylinder Side = 9/16 - 18 UNF 2A Hose Side = 9/16 - 24 UNEF 2A
(71861H)		T-Fitting Assembly - ORF Hose	Used to replace the boss fitting in new outboard cylinders when trying to connect to O-ring face seal hoses	ORB, Size #6 to 3/8 Comp Fitting Cylinder Side = 9/16 - 18 UNF 2A Hose Side = 9/16 - 24 UNEF 2A
Bleed Tee VFNO38 (39925A)		Tee Fitting with Bleed Nipple	Bleed fitting for all inboard and sterndrive cylinders	1/4 NPT to 3/8 Comp Fitting Cylinder Side = 1/4 NPT Hose Side = 9/16 - 24 UNEF 2A
Union T TF38 (39502V)		Union T-Fitting for 3/8 Tube	T-Fitting for 3 standard 3/8" compression thread hose fittings	3/8" Comp Fitting All Sides = 9/16 - 24 UNEF 2A

Electronics

Trolling
Motors

Instruments

Electrical

Lighting

Anchor
& Dock

Safety

Steering,
Controls

Pumps

Fuel
SystemSeating &
Pedestals

Trailering

Tops &
Covers

Perform.

Propellers

Engine
& CareCleaning
& CarePaint &
Paint Acc.Fun &
FlotationTopside
Acc.Cockpit
& DeckHardware,
Fasteners

Camouflage

Misc.

Comm.



Uflex Fittings Chart

Part Number	Image	Description	Typical Application	Thread
A61BCA (71004K)		Brass Nut with Sleeve #61CA-6	3/8" compression nut with ferrule for cut to length nylon tubing	3/8" Comp Nut Fitting Side = 9/16 - 24 UNEF 2B Hose Side = 3/8 Comp Ferrule
Union 62CA-6		Union 3/8" Compression	Used to connect 2 standard 3/8" compression hoses	3/8" Comp Fitting Both Sides = 9/16 - 24 UNEF 2A
MD 38 NI COM Fitting		90° 3/8" Plate Compression Fitting	90° fitting from bulkhead fitting to 3/8" compression hose	3/8" Comp Fitting Fitting Side = 9/16 - 24 UNEF 2B Hose Side = 9/16 - 24 UNEF 2A
Q22 (898366)		Tapered Helm Fitting to Merc O-ring	Fitting for the back of the Merc UP Series Helms to O-ring face seal hoses	1/4 NPT to ORFS Fitting Side = 1/4 NPT Hose Side = ORFS (O-ring Face)
UPS 11/16 Elbow		Powertech 11/16, 90° Elbow	90° fitting for the pressure and tank line on a Powertech Helm	
UPS 90° Elbow		Powertech 90° Elbow	90° fitting for the two high pressure outlets on a Powertech Helm/also used for connection from a bulkhead	
UPS Bulkhead T-Fitting		Powertech Bulkhead T-Fitting	T-Fitting used on blkhd fit or helm high pressure lines on Powertech Helm	
UPS T-Fitting		Powertech T-Fitting	3-way ORF fitting for Mercury style ORF hoses	
UPS Union		Powertech Union for KITPS/PSDS	11/16" union to extend a KITPS/ KITPSDS hose	
UPS Union OB		Powertech Union for KITOBPS	ORF to ORF union for connection of high pressure ORF style hoses	
UPS 4-4 FLO-SS		Powertech Male Connector	Used when connecting an autopilot to Powertech System - autopilot to ORF hose	

Electronics

Trolling Motors

Instruments

Electrical

Lighting

Anchor & Dock

Safety

Steering, Controls

Pumps

Fuel System

Seating & Pedestals

Trailer

Tops & Covers

Perform.

Propellers

Engine & Care

Cleaning & Care

Paint & Paint Acc.

Fun & Flotation

Topside Acc.

Cockpit & Deck

Hardware, Fasteners

Camouflage

Misc.

Comm.

Uflex A94 Tie Bar



- Single cylinder/twin engine.
- Suitable for applications with single UC128 front mount cylinder.
- Allows to tilt the engines independently.
- Stainless steel components.
- Electropolished stainless steel ball joints.
- Not recommended for applications exceeding 500 HP.

Order No.	Mfg. No. / Description	List Price	
2006640	(A94) Cut to Length	\$517.19	F0-3026300

Uflex Hydraulic Hose Kits



- Two high pressure flexible hoses with pre-crimped brass fittings, bulkhead fittings and bend restrictors.
- Restrictors on both ends for 5' and under.
- Recommended for helms with 1,500 psi relief valves or less.
- Sold per pair.

Order No.	Mfg. No. / Description	List Price	
8033375	(KITOBDBR-02') Length 2'	\$133.39	F0-7339000
8033380	(KITOBDBR-03') Length 3'	\$133.39	F0-7339000
8033385	(KITOBDBR-04') Length 4'	\$133.39	F0-7339000
8033390	(KITOB-06') Length 6'	\$133.39	F0-7339000
8033395	(KITOB-08') Length 8'	\$133.39	F0-7339000
8033400	(KITOB-10') Length 10'	\$133.39	F0-7339000
8033405	(KITOB-12') Length 12'	\$133.39	F0-7339000
8033410	(KITOB-14') Length 14'	\$133.39	F0-7339000
8033415	(KITOB-16') Length 16'	\$133.39	F0-7339000
8033420	(KITOB-18') Length 18'	\$133.39	F0-7339000
8033425	(KITOB-20') Length 20'	\$133.39	F0-7339000
8033430	(KITOB-22') Length 22'	\$195.39	F0-7763100
8033435	(KITOB-24') Length 24'	\$211.99	F0-9384100
8033440	(KITOB-26') Length 26'	\$228.69	F0-8006100
8033445	(KITOB-30') Length 30'	\$278.69	F0-8059100

Uflex High Performance Hose Kits



- Two high pressure flexible hoses with pre-crimped nickel plated brass fittings and bend restrictors on both ends.
- Recommended for use with all Uflex SilverSteer and MasterDrive helms with 1,500 psi relief valves.
- Sold per pair.

Order No.	Mfg. No. / Description	List Price	
8031005	(KITOBSVS-14') Length 14'	\$205.79	F0-5044100
8031010	(KITOBSVS-16') Length 16'	\$205.79	F0-5044100
8031015	(KITOBSVS-18') Length 18'	\$205.79	F0-5044100
8031020	(KITOBSVS-20') Length 20'	\$205.79	F0-5044100

Uflex A90 Tie Bars



- Heavy duty twin engine/twin cylinder tie bar kit for use with UC128 and UC128P "Port" version outboard cylinders.
- Suitable for use with Protech and SilverSteer cylinders these 304 electropolished and passivated stainless steel tie bars are simple to install and allow for independent trimming of engines with minimal effect on engine alignment.

Order No.	Mfg. No. / Description	List Price	
2006638	(A90X26) 26" Engine Center	\$541.69	F0-8197300
2006639	(A90X28) 28" Engine Center	\$541.69	F0-8197300

Uflex Bulkhead Hydraulic Hose Kits



- The inline bulkhead bend restrictors provide a water resistant through hull passage of the hoses directly from the helm to the cylinder.
- Recommended for use with all Uflex helms and cylinders as well as other competing systems.
- These are rated to 1,500 psi working pressure, but not recommended for racing.
- Complete with fittings these hose kits mount through a splash well bulkhead.
- For bass boats, offshore fishing or runabouts.
- Sold per pair.

Order No.	Mfg. No. / Description	List Price	
804444	(KITOBBHBR-16) Length 16'	\$175.29	F0-0722100
804446	(KITOBBHBR-18) Length 18'	\$175.29	F0-0722100
804448	(KITOBBHBR-20) Length 20'	\$175.29	F0-0722100
804450	(KITOBBHBR-22) Length 22'	\$278.69	F0-8059100
804452	(KITOBBHBR-24) Length 24'	\$295.39	F0-7760200

Uflex Remote Fill Adapter



- Remote fill kit for tilt helms and up rear mount helms.

Order No.	Mfg. No. / Description	List Price	
8030025	(KIT F)	\$50.89	F0-2653000

- Electronics
- Trolling Motors
- Instruments
- Electrical
- Lighting
- Anchor & Dock
- Safety
- Steering, Controls
- Pumps
- Fuel System
- Seating & Pedestals
- Trailering
- Tops & Covers
- Perform.
- Propellers
- Engine & Care
- Cleaning & Care
- Paint & Paint Acc.
- Fun & Flotation
- Topside Acc.
- Cockpit & Deck
- Hardware, Fasteners
- Camouflage
- Misc.
- Comm.

Uflex Boss Style T-Fitting - Nickel



- Fitting for back of helm in a dual station installation.
- ORB, Size #6 to 3/8 Comp Fitting. Cyl/Helm Side = 9/16 - 18 UNF 2A. Hose Side = 9/16 - 24 UNEF 2A

Order No.	Mfg. No. / Description	List Price
8003040	(71955T)	\$17.89 F0-2521000

Uflex 90° Adjustable Fitting



- Fitting for the back of the UP Series Helms.
- ORB, Size #6 to 3/8 Comp Fitting. Helm Side = 9/16 - 18 UNF 2A. Hose Side = 9/16 - 24 UNEF 2A.

Order No.	Mfg. No. / Description	List Price
8030030	(AF90)	\$17.89 F0-2521000

Uflex 90° Compression Fitting



- 90° fitting from bulkhead fitting to 3/8" compression hose.
- 3/8" Comp Fitting. Fitting Side = 9/16 - 24 UNEF 2B. Hose Side = 9/16 - 24 UNEF 2A.

Order No.	Mfg. No. / Description	List Price
8030060	(MD38NICOMFT)	\$27.69 F0-8391000

Uflex Straight Helm Fitting



- Fitting for the compensating line in the UP Series Helms or autopilot return line.
- 1/4 NPT to 3/8 Comp Fitting. Helm Side = 1/4 NPT. Hose Side = 9/16 - 24 UNEF 2A.

Order No.	Mfg. No. / Description	List Price
8030035	(CONNECTORFIT)	\$17.99 F0-9521000

Uflex Boss Fitting



- Bleed fitting for all outboard cylinders.
- ORB, Size #6 to 3/8 Comp Fitting. Cylinder Side = 9/16 - 18 UNF 2A. Hose Side = 9/16 - 24 UNEF 2A.

Order No.	Mfg. No. / Description	List Price
8030045	(BOSS FITTING)	\$34.09 F0-6832000

Uflex T-Fitting Assembly



- Used to replace the boss fitting in new outboard cylinders when trying to connect to O-ring face seal hoses.
- ORB, Size #6 to 3/8 Comp Fitting. Cylinder Side = 9/16 - 18 UNF 2A. Hose Side = 9/16 - 24 UNEF 2A.

Order No.	Mfg. No. / Description	List Price
8030050	(71861H)	\$63.19 F0-3244000

Uflex T-Fitting



Order No.	Mfg. No. / Description	List Price
8030065	(MD T-FITTING)	\$31.39 F0-3244000

Uflex Union T-Fitting for 3/8" Tube



- T-Fitting for 3 standard 3/8" compression thread hose fittings.
- 3/8" Comp Fitting. All Sides = 9/16 - 24 UNEF 2A.

Order No.	Mfg. No. / Description	List Price
8030055	(UNION T)	\$18.29 F0-0821000

Uflex Fitting Kit



- Fitting kit for a second steering station or for an autopilot installation.
- It includes all necessary fittings for 3/8" nylon or copper tube.

Order No.	Mfg. No. / Description	List Price
8030020	(KIT95-2S)	\$82.19 F0-3575000

- Electronics
- Trolling Motors
- Instruments
- Electrical
- Lighting
- Anchor & Dock
- Safety
- Steering, Controls**
- Pumps
- Fuel System
- Seating & Pedestals
- Trailering
- Tops & Covers
- Perform.
- Propellers
- Engine & Care
- Cleaning & Care
- Paint & Paint Acc.
- Fun & Flotation
- Topside Acc.
- Cockpit & Deck
- Hardware, Fasteners
- Camouflage
- Misc.
- Comm.

Uflex BubbleBuster™



- Reduce time and simplify purging hydraulic steering system with the self contained and portable BubbleBuster purging unit.
- Attach the hoses using the quick connect fittings to the helm and cylinder and with the push of a button the BubbleBuster begins cycling oil throughout the entire systems free of air.
- Components included:
 - (1) Motor pump with safety valve, switch and 1 gallon tank included, it allows the purging of 2 hydraulic steering systems before refilling. 12 volt electric motor with thermal protection; current absorption 8 amp.
 - (1) 13' electric harness with alligator clips for fast connection with the battery.
 - (1) Double spiralled hose to connect to helm pump-extended length: 19.6'.
 - (1) Double spiralled hose to connect to cylinder-extended length: 19.6'.
 - (1) Utility tray.

Order No.	Mfg. No. / Description	List Price
8020709	(BUBBLEBUSTER)	\$1,177.69 F0-8342800

Marpro Premium Marine Steering Fluid



- Ideal for use in all marine hydraulic steering systems.
- Provides outstanding antioxidant performance in ASTM D2272 testing, as well as superior anti-wear and corrosion protection capabilities.
- Meets or exceeds OEM specifications; will not void warranty.

Order No.	Description	List Price
7-1087	Quart 12 Per Case	\$17.19 F0-3021000
7-1086	Gallon 4 Per Case	\$62.59 F0-1834000

Uflex Zero Torque Feedback Tiller Steering System



- Today's 4 stroke outboard engines are generating high torque loads which can make tiller steered boats difficult to steer. The Uflex ZTF Tiller systems eliminate propeller torque at the tiller handle when the driver is not actively changing direction.
- Using a patented hydraulic valve, the propeller torque is locked from reaching the tiller handle unless the driver pushes or pulls on the end of the handle, at which point the valve opens and allows for active steering movements.
- Now you can drive your tiller steered boat in comfort, saving your energy for reeling in fish rather than effort to just get to your favorite fishing spot.
- Rated up to 150 HP 4 Stroke.
- Easy steering.
- Reduced operator fatigue.
- Includes: Mercury "BIG TILLER" Handle with key switch and lanyard, UC94 Cylinder and Integrated ZTF Tiller Valve.

Order No.	Mfg. No. / Description	List Price
804454	(ZTFILLERM1T)	\$3,137.89 E0-2435320

Uflex Hydraulic Fluid



- Hydraulic oil: ISO VG 15.

Order No.	Mfg. No. / Description	List Price
2007030	(OIL 15) Quart	\$20.79 F0-5541000

- Electronics
- Trolling Motors
- Instruments
- Electrical
- Lighting
- Anchor & Dock
- Safety
- Steering, Controls**
- Pumps
- Fuel System
- Seating & Pedestals
- Trailer
- Tops & Covers
- Perform.
- Propellers
- Engine & Care
- Cleaning & Care
- Paint & Paint Acc.
- Fun & Flotation
- Topside Acc.
- Cockpit & Deck
- Hardware, Fasteners
- Camouflage
- Misc.
- Comm.



- STEERING SYSTEMS
- MANUAL STEERING
- HYDRAULIC POWERPAKS
- ENGINE ALARM SYSTEMS
- CUSTOM DESIGNS
- FIELD SERVICE
- ENGINE CONTROL SYSTEMS
- CONVERSIONS - RETROFITS

Custom Commercial Hydraulic Steering DESIGN • ENGINEERED • INSTALLATION • MAINTENANCE

Skipper has long been a major supplier of quality electro-hydraulic steering systems.

It its entirety, a complete steering system is made up of:

- **Hydraulic Power Unit (HPU):** Consists of electric motor driven pumping units, a divided reservoir with tank accessories, directional control valves, system motion control relief and check valves, gauges and suction and return line filtration.
- **Controls:** Follow up controls, non follow up controls, rudder angle indicator systems. All easily adaptable to the style of any type vessel.
- **Electrical:** Wheel house logic control panel, integrated alarms, engine room and engineers station ancillary equipment, magnetic starters and system junction boxes.
- **Cylinders:** Hydraulic cylinders and all mounting and installation accessories.
- **Installation Items:** Hoses and adapters, isolation ball valves, dual crossport relief valves.
- **Technical Instruction:** Piping schematic, electrical wiring one-line diagram, recommended cylinder/tiller arm arrangement.

Here in this brochure, in addition to assimilating the information required for your system, we have tried to pinpoint the individual components involved in steering systems, to appeal to and assist our customers in the repair and maintenance of their existing systems.

Skipper Triplex Superredundant Two Speed Steering System

Specially designed for the M/V Big J.O., Skipper incorporated the performance features large riverboats require.

Superredundant Controls • Two Speed • Dual Counterbalance Unloading

Smooth Rudder Response - Try two speeds for slower, smaller rudder commands and stopping point deceleration. Add dual counterbalance valves for pinpoint, measured rudder response. Incorporate an unloading system to automatically impart supercharged rudder power in crucial operating conditions.

Why Superredundant Controls?

- Two of everything: Inputs, Amplifiers and Feedbacks.
- Greater dependability, reliability and system independence.
- Added protection against emergency breakdowns.

Why Two Speed?

- Two speed control is automatic in follow up mode, keyed by the degree or rudder input signal and the end of rudder travel; also semi-automatic in NFU mode.
- Reduce shock of high volume on small rudder movements.
- Enhances system cooling.

Why Dual Counterbalance?

- Reduces mechanical wear and tear of cylinder to rudder tiller linkage.
- Smooths rudder movement in all conditions, diminishing valve shift sensations.
- Minimizes bounce at stroke's end, and eliminates electronic hunting due to slow valve cut-off.
- Negates normal valve leakage.

Why the Unloader?

- Protects horsepower load draw limits.
- Automatically maximizes power when needed.





NEW CONSTRUCTION

MAJOR REBUILD

TROUBLESHOOT & REPAIR

- From engine room, to generators, to light switches and outlets, to wheel house and everywhere else in between
- Let us subcontract all electric and hydraulic from design through installation and commissioning
- Installations/repairs will meet Coast Guard & ABS regulations
- Rewire - remove existing cables and electrical components and re-install to the highest standard
- Design and furnish switchboards and alarm systems
- Complete diagnostic, maintenance and annual inspection of all your electrical and hydraulic equipment needs

**YOU CALL, WE COME & DON'T LEAVE UNTIL PROBLEM IS IDENTIFIED & FIXED!
WE MANAGE ALL SYSTEMS FOR THE LIFE OF YOUR VESSEL.**

CRANES & DAVITS

Troubleshoot, repair, service, commission, and technical support for Techimpianti and Palfinger/Ned-deck

Life Boat/Fast Rescue Vessels

Annual/5-year inspections available

STEERING SYSTEMS

Troubleshoot, repair, service, install, commission, and technical support for all systems

Complete inventory of all steering components

Annual inspections available

ALARM SYSTEMS

Troubleshoot, repair, service, install, commission, and technical support for all systems

Custom design and build any alarm system to meet your needs

Expertise in calibrating all system sensors

MARINE ELECTRICAL HIGH/LOW VOLTAGE

Custom design, build, troubleshoot, repair, service, install, and technical support for all electrical systems

ENGINE CONTROL

Troubleshoot, repair, service, install, commission, and technical support

Expertise in Mathers (ZF) control systems

Mechanical and electrical engine controls

HYDRAULIC SYSTEMS

Troubleshoot, repair, service, install, commission, and technical support

HPU, custom designs, component sales, field service, retrofits

ELECTRICAL SWITCHBOARDS

Troubleshoot, repair, service, install, commission, and technical support for all brands

Expertise in design, service and installation

OILY WATER SEPARATORS

Troubleshoot, repair, service, commission, and technical support for all brands

Annual inspections available

Service to IMO107 standards

MARINE SANITATION DEVICES

Troubleshoot, repair, service, commission, and technical support for all brands

Annual inspections available

Service to IMO107 standards

WATER MAKERS/UV PURIFIERS

Troubleshoot, repair, service, commission, and technical support for all brands

Annual inspections available

LP Fuel pump, high pressure pump, membrane, control panel expertise

WATERTIGHT DOORS

Troubleshoot, repair, service, install, commission, and technical support for all brands

Expertise in electrical and hydraulic

Annual inspections available

SEARCHLIGHTS

Troubleshoot, repair, service, install, commission, and technical support for all brands

Expertise in Xenon & Perko

Replacement bulbs available and in stock

BOW THRUSTERS

Troubleshoot, repair, service, commission, and technical support for all brands

BATTERY CHARGERS

Troubleshoot, repair, service, install, commission, and technical support for all brands

Expertise in sales of Newmar and Charles

TRAVELIFT/SHUTTLELIFT

Troubleshoot, repair, service, install, commission, and technical support

Annual inspections available

DECK WINCHES, WINDLASSES & CAPSTANS

Troubleshoot, repair, service, install, commission, and technical support

All electric and hydraulic brands

Sales and expertise in Palfinger, Norwegian, Patterson and SLM

**24/7 DISPATCH
1-844-365-2470**



- Electronics
- Trolling Motors
- Instruments
- Electrical
- Lighting
- Anchor & Dock
- Safety
- Steering, Controls
- Pumps
- Fuel System
- Seating & Pedestals
- Trailer
- Tops & Covers
- Perform.
- Propellers
- Engine & Care
- Cleaning & Care
- Paint & Paint Acc.
- Fun & Flotation
- Topside Acc.
- Cockpit & Deck
- Hardware, Fasteners
- Camouflage
- Misc.
- Comm.

Telcor Instruments 8100 Non-Follow Up Jog Lever

Telcor Instruments, Inc.



- Spring loaded for fast and easy rudder movements.
- Completely watertight construction with o-ring seals throughout.
- Compatible for side-mount and top-mount applications.
- Zero epoxy construction.
- Double switch redundancy.
- Black anodized finish for superior corrosion resistance.
- Mounting dimensions match old Telcor models.

Order No.	Mfg. No. / Description	Price on Request
679576	(130346) 8100-2S NFU Assembly	Price on Request
679588	(130360) 8100-4S NFU Assembly	Price on Request

Telcor Instruments 8200 Full Follow Up Jog Lever

Telcor Instruments, Inc.



- Rudder precisely matches the lever position.
- Completely watertight construction with o-ring seals throughout.
- Compatible for side-mount and top-mount applications.
- Interfaces electronically with 7300 Feedback/Repeatback Rudder Position Sender and 7200 Position Sender.
- Available with up to 5 POTs.
- Interchangeable housing and POT with Telcor 7200 Position Sender.
- Zero epoxy construction.
- Black anodized finish for superior corrosion resistance.
- Mounting dimensions match old Telcor models.

Order No.	Mfg. No. / Description	Price on Request
679590	(130358) 8200-1K FFU Assembly	Price on Request
679603	(130352) 8200-2K FFU Assembly	Price on Request
679615	(130356) 8200-5K FFU Assembly	Price on Request

Jastram Watertight and Weatherproof Jog Levers

Jastram Watertight and Weatherproof Jog Levers

Jastram ENGINEERING LTD.



- Ideal for indoor and outdoor stations.
- The Jastram Jog Levers provides non follow-up (time dependent) electric control.
- Jastram Jog Levers operate either completely on (as long as the switch is activated) or completely off (when it is released).
- Supplied with 5' of cable.
- Waterproof and corrosion resistant housings, with an IP 66 rating.

Order No.	Mfg. No. / Description	List Price
677745	(JA-701005-1) Contains One Set of Microswitches	\$702.19 E0-4662500
677746	(JA-950078-1) Adapter Plate Kit	\$73.99 E0-9455000
677750	(JB605001) Repl. Spring (Old Style)	\$34.69 E0-2062000
677751	(JB605002) Repl. Spring	\$24.29 E0-2281000

Jastram Helm Pump Seal Kits

Jastram ENGINEERING LTD.

Order No.	Mfg. No. / Description	List Price
677508	(119-0002) For 701 Helm Pump	\$35.89 E0-2962000
677520	(119-0085) For B1 and B2 Helm Pumps	\$34.69 E0-2062000

Jastram Cylinder Seal Kit

Jastram ENGINEERING LTD.

Order No.	Mfg. No. / Description	List Price
677456	(119-0083) For N50-190 and N50-300	\$138.99 C0-4181100

- Electronics
- Trolling Motors
- Instruments
- Electrical
- Lighting
- Anchor & Dock
- Safety
- Steering, Controls
- Pumps
- Fuel System
- Seating & Pedestals
- Trailering
- Tops & Covers
- Perform.
- Propellers
- Engine & Care
- Cleaning & Care
- Paint & Paint Acc.
- Fun & Flotation
- Topside Acc.
- Cockpit & Deck
- Hardware, Fasteners
- Camouflage
- Misc.
- Comm.

Marpac Stainless Steel Steering Wheels with Control Knob



Wheel Nut

- Steering wheel with control knob.
- Solid investment cast hub.
- No set screw required.
- Fits a standard 3/4" tapered shaft helm.

STEERING WHEEL ONLY (WITHOUT CAP NUT)

Order No.	Description	List Price	
7-0689	Diameter 13-1/2"	\$159.59	GO-3960100
7-0690	Diameter 13-1/2" (Black Powder Coat)	\$172.59	GO-4651100
7-0703	Diameter 15-1/2"	\$172.79	GO-7751100

STEERING WHEEL KIT FOR DOMETIC MECHANICAL STEERING

- For use with Dometic Mechanical Steering.
- 1/2"-20 thread.

Order No.	Description	List Price	
7-0709	Diameter 13-1/2"	\$186.69	GO-8052100
7-0708	Diameter 15-1/2"	\$184.39	GO-4532100
7-0706	Spare 1/2" Wheel Nut	\$13.89	GO-1390000

STEERING WHEEL KIT FOR DOMETIC HYDRAULIC STEERING

- For use with Dometic Hydraulic Steering.
- 5/8"-18 thread.

Order No.	Description	List Price	
7-0705	Diameter 13-1/2"	\$186.69	GO-8052100
7-0695	Diameter 13-1/2" (Black Powder Coat)	\$186.49	GO-5942100
7-0704	Diameter 15-1/2"	\$201.09	GO-3743100
7-0707	Spare 5/8" Wheel Nut	\$13.89	GO-1390000
7-0698	Spare 5/8" Wheel Nut (Black)	\$13.89	GO-1390000

STEERING WHEEL KIT FOR UFLX STEERING

- For use with Uflex Steering.
- M12 x 1.75 thread.

Order No.	Description	List Price	
7-0696	Diameter 13-1/2"	\$205.29	GO-4573100
7-0697	Diameter 15-1/2"	\$184.19	GO-1432100
7-0699	Spare M12 Wheel Nut	\$17.19	GO-2511000

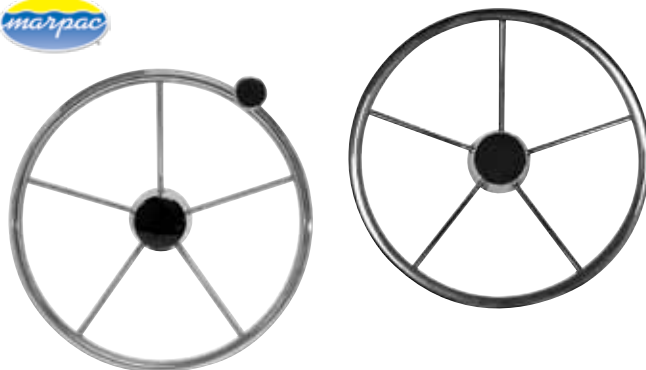
Marpac Stainless Steel Deluxe Control Knob



- Heavy duty cast marine grade stainless steel.
- Fits most oval shaped Destroyer Type Steering Wheels.
- Finger impression for a firmer grip.
- Inner bearing spinning knob for easier control.
- Included rubber pad offers a better fit.
- Includes clamp assembly (lock nut with strap) and wrench.
- Knob diameter: 1-7/8", knob height: 1-15/16".

Order No.	Description	List Price	
7-0256	Deluxe Control Knob	\$51.79	GO-0743000

Marpac Stainless Steel Steering Wheels - 5 Spoke Destroyer Type



- 5 spoke destroyer type.
- Stainless steel.
- Black composite center cap.
- Fits a standard 3/4" tapered shaft helm.

STEERING WHEELS WITHOUT CONTROL KNOB

- 25° dish.
- Diameter spokes: 3/8".

Order No.	Description	List Price	
7-0248	Diameter 13-1/2"	\$65.09	GO-1634000
7-0250	Diameter 15"	\$67.29	GO-8054000
7-9063	Replacement Center Cap	\$6.59	GO-2440000

STEERING WHEELS WITH CONTROL KNOB AND FINGER GRIPS

- 22° dish.
- Diameter spokes: 1/2".

Order No.	Description	List Price	
7-0687	Diameter 13-1/2"	\$105.89	GO-5907000
7-0688	Diameter 15-1/2"	\$115.99	GO-1777000

Marpac Stainless Steel Steering Wheels - 5 Spoke Destroyer Type



- 5 spoke destroyer type.
- Stainless steel.
- Black composite center cap.
- Fits a standard 3/4" tapered shaft helm.
- 10° dish.
- Diameter spokes: 3/8".

Order No.	Description	List Price	
7-0682	Diameter 15-1/2"	\$70.29	GO-9074000
7-0683	Diameter 18"	\$72.89	GO-4884000
7-0684	Diameter 20"	\$86.39	GO-8875000

Marpac Stainless Steel Control Knob



- Heavy duty cast marine grade stainless steel.
- Fits most oval shaped Destroyer Type Steering Wheels.

Order No.	Description	List Price	
7-0255	Steering Wheel Control Knob	\$30.99	GO-6702000
7-9064	Black Knob Cover	\$2.69	GO-0810000

- Electronics
- Trolling Motors
- Instruments
- Electrical
- Lighting
- Anchor & Dock
- Safety
- Steering, Controls
- Pumps
- Fuel System
- Seating & Pedestals
- Trailer
- Tops & Covers
- Perform.
- Propellers
- Engine & Care
- Cleaning & Care
- Paint & Paint Acc.
- Fun & Flotation
- Topside Acc.
- Cockpit & Deck
- Hardware, Fasteners
- Camouflage
- Misc.
- Comm.

Schmitt Model 150 Destroyer Type Steering Wheel



- Oval section rings provide a comfortable grip for easy steering.
- The basic construction is TIG welded, highly polished nonmagnetic stainless steel with Pakkawood Trim.
- Black plastic center cap.
- 6 Spokes
- Degree of dish is: 10°.
- Fits 3/4" tapered shaft.
- Spoke diameter: 3/8"

Order No.	Description	List Price	
602753	(152-18-111SS) Diameter 18"	\$132.69	GO-0988000

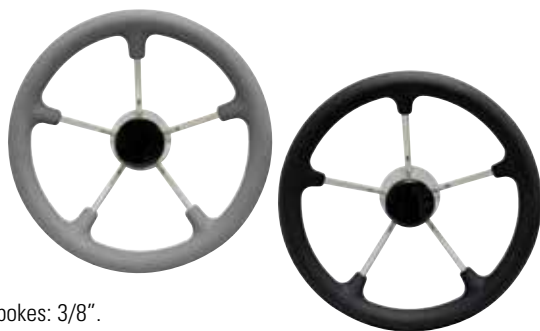
Schmitt Stainless Steel Model 530 Sailboat Steering Wheel



- Oval section rings provide a comfortable grip for easy steering.
- The basic construction is TIG welded, highly polished nonmagnetic stainless steel with Pakkawood Trim.
- 6 Spokes.
- Tubular spokes welded at hub and ring.
- Degree of dish is: Flat.
- Hub size: 1" straight shaft, 2-1/4" diameter, 2-1/8" long.

Order No.	Description	List Price	
602070	(532-24-900SS) Diameter 24"	\$272.79	GO-7728100

Marpac Stainless Steel Destroyer Steering Wheels with Foam Grip



- 25° dish.
- Diameter spokes: 3/8".
- Fits standard 3/4" tapered shaft helm.

BLACK COMPOSITE CENTER CAP WITH BLACK FOAM GRIP

Order No.	Description	List Price	
7-0691	Diameter 13-1/2"	\$67.89	GO-9454000
7-0692	Diameter 15-1/2"	\$72.89	GO-4884000

BLACK COMPOSITE CENTER CAP WITH GRAY FOAM GRIP

Order No.	Description	List Price	
7-0693	Diameter 13-1/2"	\$67.89	GO-9454000
7-0694	Diameter 15-1/2"	\$65.49	GO-8834000

Dometic Champion Steering Wheel



- Black rugged construction for marine use.
- UV and corrosion resistant materials.
- Fits 3/4" standard tapered helms.
- Diameter 13".

Order No.	Mfg. No. / Description	List Price	
838601	(SW-59291B)	\$55.99	FO-9193000

Dometic Steering Wheel Bushing



- Solid brass construction.
- Adapts 1" straight steering wheel hub to 3/4" tapered helm shaft. Capilano Helms Only.

Order No.	Mfg. No. / Description	List Price	
803014	(HB0573)	\$39.79	FO-5872000

Marpac Plastic Steering Wheel



- Black rugged construction.
- Fits all standard 3/4" tapered shafts.

Order No.	Description	List Price	
7-0252	Diameter 13"	\$27.99	GO-5781000

Marpac Plastic Steering Wheel



- Equidistant three spoke design.
- Heavy duty, non-magnetic, UV resistant, high impact plastic.
- 4" dish.
- Fits all standard 3/4" tapered shafts.
- Meets ABYC P-22 and ISO 8848 standards.

Order No.	Description	List Price	
7-0253	Diameter 13-1/4"	\$24.79	GO-1661000

Schmitt Fantasy Steering Wheel



- All polyurethane.
- Black Soft Grip with Silver Spokes.
- Fits 3/4" tapered shaft.
- Includes black plastic cap.
- Diameter 13.8".

Order No.	Mfg. No. / Description	List Price	
838687	(PU013101)	\$98.89	GO-6266000

Dometic Steering Wheel Hardware Kit



- Kit consist of 1/2" NFT locknut, flat washer and woodruff key (half moon).
- For all mechanical helms with 3/4" tapered shaft.

Order No.	Mfg. No. / Description	List Price	
649538	(SA-27454P)	\$10.49	FO-4370000

Edson Character Wheel



SPECIAL ORDER ONLY



- Fig. 688 character wheels are designed and finished with "character".
- Patterned after the traditional heavy cast iron wheels.
- Made of lightweight 356-T6 aluminum.
- Heat-treated to T-6 hardness.
- Feature tan baked-on urethane powder coating and varnished teak handles.
- 1" straight bore only.
- Available in sizes 20", 25", 31" and 34" spoke to spoke on special order.

Uflex Thermoplastic Steering Wheels



- Thermoplastic anti-shock material.
- Standard 3/4" taper.
- Complete with hub.
- Flat, no dish.
- All Ultraflex steering wheels meet the EEC directive 94/25 requirements about pleasure boats.
- All steering wheels are CE marked in conformity with the EN 28848 - EN 29775 and ABYC P22 safety standards.

HARD TOUCH GRIP

Order No.	Mfg. No. / Description	List Price
2007265	(V33G) Diameter 13.4" Grey	\$32.39 F0-7622000
2007270	(V33N) Diameter 13.4" Black	\$30.79 F0-5512000

SOFT TOUCH GRIP

Order No.	Mfg. No. / Description	List Price
2007285	(V45) Diameter 11" Black	\$56.89 F0-2893000

Edson Teak Yacht Wheels

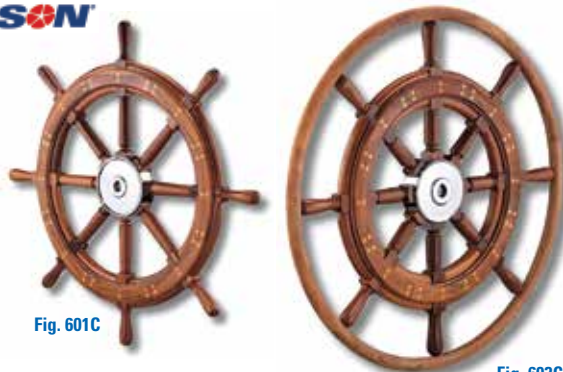


Fig. 601C

Fig. 603C

SPECIAL ORDER ONLY

- These beautifully crafted wheels will give years of service and pleasure to the owner who wants the best workmanship on his yacht, work boat or fishing boat.
- Offshore-quality wheel.
- Solid teak spokes and felloes rigidly secured with stainless fasteners and holly bungs.
- Hub available in polished chrome.
- 1" straight bore only.
- Available in sizes from 24" to 38" on special order.
- Fig. 601C teak yacht wheels are spoked wheels.
- Fig. 603C teak wheels come with a laminated 1" diameter natural teak rim installed.

Uflex Antigua Style Steering Wheels



- All Antigua steering wheels are provided with an exclusive hub that easily allows the steering wheel to always be aligned properly.
- Thermoplastic anti-shock material.
- Standard 3/4" taper.
- Diameter 13.8".
- All Ultraflex steering wheels meet the EEC directive 94/25 requirements about pleasure boats.
- All steering wheels are CE marked in conformity with the EN 28848 - EN 29775 and ABYC P22 safety standards.

SOFT TOUCH GRIP

Order No.	Mfg. No. / Description	List Price
2007310	(V60) Black	\$63.89 F0-2744000
2007320	(V60G) Grey	\$63.89 F0-2744000
2007315	(V60BRC) Black with Burl Wood Cap	\$80.99 F0-9665000

Uflex Corse Steering Wheel



- Soft black touch grip with silver spokes. Aluminum frame.
- Standard 3/4" taper.
- Complete with hub.
- All Ultraflex steering wheels meet the EEC directive 94/25 requirements about pleasure boats.
- All steering wheels are CE marked in conformity with the EN 28848 - EN 29775 and ABYC P22 safety standards.

Order No.	Mfg. No. / Description	List Price
8020180	(CORSE BS) Diameter 13.8"	\$131.39 F0-7919000

- Electronics
- Trolling Motors
- Instruments
- Electrical
- Lighting
- Anchor & Dock
- Safety
- Steering, Controls**
- Pumps
- Fuel System
- Seating & Pedestals
- Trailering
- Tops & Covers
- Perform.
- Propellers
- Engine & Care
- Cleaning & Care
- Paint & Paint Acc.
- Fun & Flotation
- Topside Acc.
- Cockpit & Deck
- Hardware, Fasteners
- Camouflage
- Misc.
- Comm.

- Electronics
- Trolling Motors
- Instruments
- Electrical
- Lighting
- Anchor & Dock
- Safety
- Steering, Controls**
- Pumps
- Fuel System
- Seating & Pedestals
- Trailering
- Tops & Covers
- Perform.
- Propellers
- Engine & Care
- Cleaning & Care
- Paint & Paint Acc.
- Fun & Flotation
- Topside Acc.
- Cockpit & Deck
- Hardware, Fasteners
- Camouflage
- Misc.
- Comm.

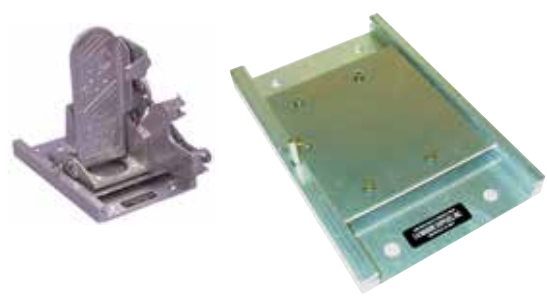
T-H Marine Hot Foot™ - Original Foot Throttle



- Original marine foot throttle for O/B, I/O and inboard engine applications.
- All cast aluminum - stainless steel hardware.
- A stainless steel spring returns engine to idle position when released.
- Equipped with toe clip for additional safety in extreme operating conditions.
- Mounts directly to floor of boat with four screws (Not included).

Order No.	Mfg. No. / Description	List Price	
640309	(HF-1-DP) Universal Model - Fits All Marine Engines	\$179.09	F0-6352100
640310	(HFS-1-DP) Replacement Spring (All Models)	\$21.29	H0-7721000

T-H Marine Hot Foot™ - Slide Mount



- This sliding mount allows easy adjustment of the Hot Foot throttle position for different drivers or driving conditions.
- Mount allows over 5" of adjustment for people of different heights.
- All extruded aluminum and stainless steel construction.
- Stainless steel fasteners and release pin.

Order No.	Mfg. No. / Description	List Price	
640361	(HFM-1-DP)	\$79.29	F0-0555000

T-H Marine Hot Foot™ Pro - Top Load Foot Throttles



- The top loading features for the throttle cable makes Hot Foot Pro easier to install and gives more foot and leg room.
- Patented idle stop for FICHT & Optimax.
- Stainless steel return spring.
- Teflon bushings on all critical pivot points and toe clip for added security.

Order No.	Mfg. No. / Description	List Price	
640322	(HF-1T-DP) Fits J/E, Mercury/Mariner	\$196.89	F0-2873100
640335	(HF-1CT-DP) Fits Hon, Yam, Chy and Suz	\$246.09	H0-5674100

Dometic Pro-Pedal Foot Throttle



- The Pro-Pedal is the first foot throttle that can be fully customized to fit both the boat and the driver, making it easier and more enjoyable to pilot today's high-performance boats.
- The new foot throttle is designed with a robust torsion spring and locking fasteners to improve both reliability and durability, season after season and its compact design keeps the deck uncluttered and allows for more room around the pedal and an integrated slide makes it easy to adjust the pedal position for different drivers.
- Accept all types of 30 Series control cables.
- The cable attachment is concealed in a protected case to prevent from debris.
- Easy to adjust pedal idle start position.
- Unique wedge feature under the front of the pedal to prevent items from becoming jammed.
- Toe hook at the top of the pedal to allow the driver to manually pull the throttle back to idle if required.
- Robust stainless steel torsion spring to provide a long life.
- Adjustable slider plate with unique spring loaded feature which allows the driver to slide the pedal back and forth with just one hand.
- All mounting and assembly fasteners have self-locking features.
- The pedal is made of reliable rugged A380 aluminum.

Order No.	Mfg. No. / Description	List Price	
839550	(FT7000P) Foot Throttle w/Slider Base Plate	\$286.69	F0-8600200
802553	(FT7050P) Foot Throttle	\$217.09	F0-6915100
802556	(FT7051P) Slider Base Plate	\$87.59	F0-1316000

Marpac Dual Function, Single Lever Controls

- Classic design with a modern look.
- Single lever, dual function control for easy one hand operation.
- Works with almost any outboard, I/O or inboard engine.
- Accepts any OEM control cable.
- Easy to use power trim and tilt button on the handle.
- Neutral safety switch prevents starting in gear.
- Mercury engines require the use of a **2006845** Uflex K35 Connection Kit (Sold Separately).



Order No.	Description	List Price	
7-0118	Top Mount	\$238.39	G0-2795100
7-0119	Side Mount	\$231.39	G0-3055100

UFLEX K35 CONNECTION KIT FOR SINGLE LEVER CONTROL BOXES

Order No.	Mfg. No. / Description	List Price	
2006845	(K35)	\$22.99	F0-9061000

Dometic Xtreme Dual-Function, Single or Dual Controls



- Lever/handle updated for aesthetics, ergonomics and improved durability.
- Multitude of control configurations to suit all boating types.
- Minimal changes to mounting scheme or cable nesting from Osprey or SL-3.
- Superior feel and function for most outboards, stern drives & inboards.
- Dual function lever controls both throttle and shift of one engine.
- Neutral engine warm-up feature.
- Friction adjustment feature included.
- "Easy-On" cable design accepts virtually every type of OEM and 3300/33C type cable.
- Easily adapted to push or pull cable actuation mode.
- Mechanical advantage 2.38:1.
- Meets/exceeds all applicable standards.
- Designed and assembled in the USA.
- For best performance always use Xtreme Control Cables.

CHROME TOP MOUNT CONTROLS WITH TRIM AND TILT

Order No.	Mfg. No. / Description	List Price	
490300	(CHX8142P) Single Control	\$489.49	F0-4624300
490315	(CHX8152P) Single Control w/Neutral Interlock	\$483.29	F0-0383300
490320	(CHX8242P) Dual Control	\$584.19	F0-3980400

CHROME SIDE MOUNT CONTROLS WITH ENGINE CUT OFF SWITCH

Order No.	Mfg. No. / Description	List Price	
490297	(CHX8052P) Side Control with Trim and Tilt	\$513.89	F0-2795300
490312	(CHX8051P) Side Control with Trim	\$387.49	F0-4217200

BLACK SIDE MOUNT CONTROL

Order No.	Mfg. No. / Description	List Price	
490328	(CHX8555P) Side Control with Trim and Tilt	\$460.79	F0-5522300

Dometic MT-3 Dual-Function, Single or Twin Lever Top Mount Controls



- Ideal for inboards, sterndrives and outboards.
- Combines classic binnacle control styling with dual function levers, a neutral safety switch and an engine warm-up feature.
- Control throttle and shift with one lever instead of two.
- Can be used in a dual station application with the DS unit.
- This control uses 3300/33C type cables (single and dual lever) and 4300/43 type cables (single lever version only). Not suitable for use with Mercury and OMC OEM type control cables.

Order No.	Mfg. No. / Description	List Price	
490007	(CH5310P) Single Lever	\$354.99	F0-9484200
490019	(CH5300P) Twin Lever	\$658.19	F0-3706400

ACCESSORIES

Order No.	Mfg. No. / Description	List Price	
490526	(035232-001) Red Ball Knob	\$13.09	F0-6190000
490538	(035232-004) Black Ball Knob	\$16.69	F0-8611000
490499	(305499) Neutral Safety Switch	\$29.99	F0-9902000
490425	(308742) 43 Cable Heavy Duty Connection Kit	\$90.49	F0-4336000

- Electronics
- Trolling Motors
- Instruments
- Electrical
- Lighting
- Anchor & Dock
- Safety
- Steering, Controls**
- Pumps
- Fuel System
- Seating & Pedestals
- Trailering
- Tops & Covers
- Perform.
- Propellers
- Engine & Care
- Cleaning & Care
- Paint & Paint Acc.
- Fun & Flotation
- Topside Acc.
- Cockpit & Deck
- Hardware, Fasteners
- Camouflage
- Misc.
- Comm.

Uflex Single or Twin Lever Top Mount Controls



- Compact single lever controls offering a unique low profile style compared to other controls available on the market.
- Enables easy and safe shifting by preventing accidental gear engagement unless engine is idling.
- Made of marine aluminum, chrome plated or powder coat finish.
- Push in button disengages shift for warm-up.
- Includes X12 neutral safety switch which prevents in-gear starting.
- For use with all Uflex control cables except C4: C14 and MACH14 cables require no kit; for C2, C8 and MACHZero cables the connection kit K59; C5, C16 and MACH5 cables require K60 Kit; C36 and MACH36 cables require K62 Kit; C22 cable requires K61 Kit.

Order No.	Mfg. No. / Description	List Price	
2006667	(B301CR) Single Lever Control for One Engine	\$391.69	F0-8147200
2006668	(B302CR) Twin Lever Control for Two Engines	\$689.19	F0-3428400

Uflex Single or Twin Lever Top Mount Controls



- Black dome with chrome plated lever.
- Single lever/dual action control to operate both throttle and shift.
- Suitable for any type of boats with outboard, inboard or I/O power plants.
- Enables easy and safe shifting by preventing accidental gear engagement unless engine is idling.
- Made of marine aluminum with chrome plated lever and black dome.
- Pull-out handle disengages shift for warm up.
- Includes X12 neutral safety switch which prevents in-gear starting.
- Power trim switch conveniently located in the handle grip enables for easy tilting of the engine.
- For use with all Ultraflex engine control cables except C22, C4, C36 and MACH36.
- Uflex C5, C16 and MACH5 cables require **2006845** Uflex K35 Connection Kit (Sold Separately).

SINGLE LEVER CONTROL FOR ONE ENGINE

Order No.	Mfg. No. / Description	List Price	
2006685	(B73) Without Trim	\$330.79	F0-5513200
2006700	(B77) With Trim	\$413.09	F0-6198200

TWIN LEVER CONTROL FOR TWO ENGINES

Order No.	Mfg. No. / Description	List Price	
2006705	(B502BT/L) With Trim	\$662.39	F0-7636400

Uflex Single or Twin Lever Top Mount Controls



- Single lever/dual action control to operate both throttle and shift.
- Suitable for any type of boats with outboard, inboard or I/O power plants.
- Made of chrome plated marine aluminum.
- Pull-out handle disengages shift for warm-up.
- Neutral safety switch prevents in-gear starting.
- Built-in friction to avoid throttle creep.
- For use with C2, C8 and CO Uflex engine control cables.

Order No.	Mfg. No. / Description	List Price	
490036	(B-103) Single Lever Control for One Engine	\$366.79	F0-5765200
490042	(B-104) Twin Lever Control for Two Engines	\$746.89	F0-2822500

Uflex Single-Lever Side Mount Controls



- The new B310 controls combine elegance, functionality and versatility.
- The universal control design allows for the connection of 33C Universal style cable and OMC (Johnson/Evinrude) cables with adapters included.
- Mercury Gen I cables can be easily connected with the addition of the **2006845** Uflex K35 Connection Kit (Sold Separately).
- Enables easy and safe shifting by preventing accidental gear engagement unless engine is idling.
- Can be installed horizontally or vertically, on the starboard or port side of the boat.
- Provided with a brake tension release system adjustable from outside.
- Pull-out handle disengages shift for warm-up.
- Includes X12 neutral safety switch which prevents in-gear starting.
- Provided with positive lock-in neutral to prevent accidental gear engagement.
- For use with all Ultraflex engine control cables except C4, C36 and MACH36. Uflex C5, C16, MACH5 and Mercury cables require **2006845** Uflex K35 Connection Kit (Sold Separately). Uflex C22 and C23 cables require KB1 connection kit.

Order No.	Mfg. No. / Description	List Price	
2006665	(B310B) With Throttle and Shift	\$395.59	F0-1967200
2006670	(B310CH) With Throttle and Shift	\$413.59	F0-1598200

- Electronics
- Trolling Motors
- Instruments
- Electrical
- Lighting
- Anchor & Dock
- Safety
- Steering, Controls
- Pumps
- Fuel System
- Seating & Pedestals
- Trailering
- Tops & Covers
- Perform.
- Propellers
- Engine & Care
- Cleaning & Care
- Paint & Paint Acc.
- Fun & Flotation
- Topside Acc.
- Cockpit & Deck
- Hardware, Fasteners
- Camouflage
- Misc.
- Comm.

Dometic MV-3 Dual-Function, Single-Lever Side Mount Control



490526



490538



- Single lever control.
- For outboards, inboards and sterndrives.
- Ergonomically designed handgrip for maximum comfort and convenience.
- Neutral safety switch prevents starting in gear.
- Neutral throttle warm-up.
- Built-in friction drag to reduce throttle creep.
- Neutral interlock feature to prevent accidental shifting.
- Uses 33C and 33C Supreme Cables.

Order No.	Mfg. No. / Description	List Price	
402153	(CH2920P) Side Mount	\$318.99	F0-9232200
490526	(035232-001) Red Ball Knob	\$13.09	F0-6190000
490538	(035232-004) Black Ball Knob	\$16.69	F0-8611000

Uflex Single-Lever Side Mount Controls



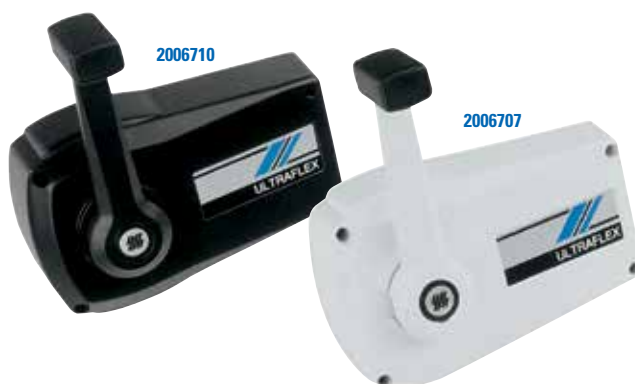
2006650

2006645

- Single lever/dual action control to operate both throttle and shift.
- Suitable for any type of boats with outboard, inboard or I/O power plants.
- Enables easy and safe shifting by preventing accidental gear engagement unless engine is idling.
- Can be installed horizontally or vertically, on the starboard or port side of the boat.
- Provided with a brake tension release system adjustable from outside.
- Pull-out handle disengages shift for warm-up.
- Includes X12 neutral safety switch which prevents in-gear starting.
- Provided with positive locking neutral to prevent accidental gear engagement.
- For use with all Ultraflex engine control cables except C4, C36 and MACH36. Uflex C5, C16, MACH5 and Mercury cables require K35 connection kit. Uflex C22 and C23 cables require KB1 connection kit.

Order No.	Mfg. No. / Description	List Price	
2006645	(B183) Without Trim Switch	\$294.29	F0-0060200
2006650	(B184) With Trim Switch	\$341.09	F0-6783200
2006655	(B184MERC) For Mer With Trim Switch	\$353.19	F0-3274200

Uflex Single-Lever Side Mount Controls



2006710

2006707

- Single lever/dual action control to operate both throttle and shift.
- Suitable for any type of boats with outboard, inboard or I/O power plants.
- Enables easy and safe shifting by preventing accidental gear engagement unless engine is idling.
- Can be installed horizontally or vertically, on the starboard or port side of the boat.
- Made of painted marine aluminum.
- Pull-out handle disengages shift for warm-up.
- Includes X12 neutral safety switch which prevents in-gear starting.
- Provided with a positive lock-in neutral to prevent accidental gear engagement.
- For use with all Ultraflex engine control cables except C22, C4, C36 and MACH36. Uflex C5, C16, MACH5 and Mercury cables require K35 connection kit. To connect C14 and MACH14 cables and current OMC cable to engine, use K51 connection kit.

Order No.	Mfg. No. / Description	List Price	
2006707	(B89) White Finish	\$294.89	F0-2460200
2006710	(B90) Black Finish	\$294.89	F0-2460200

Marpac International Controls



7-0114

7-0115

- Cast stainless steel.
- Single and dual lever/single action.
- Includes: Hardware for 33C and 43C cables.

Order No.	Description	List Price	
7-0114	Single	\$164.29	G0-7001100
7-0115	Dual	\$253.59	G0-1996100

- Electronics
- Trolling Motors
- Instruments
- Electrical
- Lighting
- Anchor & Dock
- Safety
- Steering, Controls**
- Pumps
- Fuel System
- Seating & Pedestals
- Trailering
- Tops & Covers
- Perform.
- Propellers
- Engine & Care
- Cleaning & Care
- Paint & Paint Acc.
- Fun & Flotation
- Topside Acc.
- Cockpit & Deck
- Hardware, Fasteners
- Camouflage
- Misc.
- Comm.

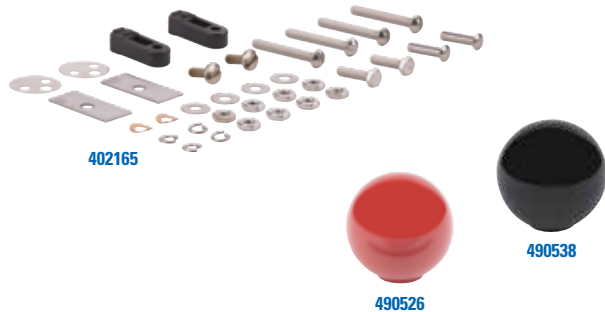
Dometic SLT Single-Function, Two Lever Top Mount Control



- For single or dual stations with single or twin engines.
- One control per engine per station.
- Using a patented self-locking throttle clutch (SLT), the CH5600P control fights throttle creep without friction devices, for a smoother feel.
- Polished stainless steel levers and cover.
- Positive detents for shift.
- Push or pull to operate throttle and/or shift.
- Includes: Hardware for two 33C type cables.
- Optional neutral safety switch kit.

Order No.	Mfg. No. / Description	List Price	
839007	(CH5600P) Twin Control	\$470.39	F0-7292300
839045	(CA69009P) Neutral Safety Switch Kit	\$56.29	F0-0493000
402178	(CA69060P) Repl. Stainless Steel Lever	\$81.39	F0-7965000

Dometic SR Twin Single-Function, Two Lever Top Mount Control



- Ideal for single and dual station boats, SR Twin is rugged and made with the finest marine grade materials.
- Polished stainless steel cover, stainless steel levers and rugged cast hanger plate.
- Removable cover enables easy access to the mechanism.
- Includes adjustable brakes and stops.
- Accepts universal control cables.
- Optional detent kits and neutral safety switch available.
- This control uses 3300/33C or 4300/43C type cables. Not suitable for use with Mercury and OMC OEM type control cables.

Order No.	Mfg. No. / Description	List Price	
402141	(CH5400P) Twin Lever	\$347.49	F0-4234200

ACCESSORIES

Order No.	Mfg. No. / Description	List Price	
490526	(035232-001) Red Ball Knob	\$13.09	F0-6190000
490538	(035232-004) Black Ball Knob	\$16.69	F0-8611000
490413	(040090) Adapter Kit for Each 4300 Series Cable	\$58.99	F0-9214000
402165	(060991) Mounting Hardware Kit	\$53.29	F0-0373000
402178	(CA69060P) Stainless Steel Lever	\$81.39	F0-7965000

Dometic S and Twin-S Single-Function, One or Two Lever Controls



- This classic control is great for inboards, single or dual station.
- Highly polished stainless steel cover.
- Easily adjustable throttle friction and shift detent feel.
- Optional lever extension, detent kits and neutral safety switch available.
- Additional hardware is required for twin station use.
- Both controls use 3300/33C and 4300 type cables. Not suitable for use with Mercury and OMC OEM type control cables.
- 4300 cables require the additional 40 series hardware kit.

Order No.	Mfg. No. / Description	List Price	
489650	(CH5210P) Single Lever	\$221.79	F0-5255100
489662	(CH5200P) Twin Lever	\$276.79	F0-5739100

ACCESSORIES

Order No.	Mfg. No. / Description	List Price	
490526	(035232-001) Red Ball Knob	\$13.09	F0-6190000
490538	(035232-004) Black Ball Knob	\$16.69	F0-8611000
490588	(022328) Clutch Detent Kit	\$25.49	F0-4871000
490401	(042152) In-Series Dual Station Kit, 40 Series	\$37.09	F0-6952000
490350	(061001) Mounting Hardware Kit, Twin	\$50.69	F0-8453000
490933	(047307) Neutral Safety Switch Kit	\$73.19	F0-3215000

- Electronics
- Trolling Motors
- Instruments
- Electrical
- Lighting
- Anchor & Dock
- Safety
- Steering, Controls
- Pumps
- Fuel System
- Seating & Pedestals
- Trailering
- Tops & Covers
- Perform.
- Propellers
- Engine & Care
- Cleaning & Care
- Paint & Paint Acc.
- Fun & Flotation
- Topside Acc.
- Cockpit & Deck
- Hardware, Fasteners
- Camouflage
- Misc.
- Comm.

Dometic ST Single-Function, Single Lever Side Mount Control



490538

490526

- Single-function, single lever control simple trouble free design.
- Durable heavy chrome finish.
- Simple rugged compact design.
- Without throttle brake.
- Uses 33C and 33C Supreme Cables.

Order No.	Mfg. No. / Description	List Price
489749	(CH2400P) Single Control	\$196.39 F0-7473100
490526	(035232-001) Red Ball Knob	\$13.09 F0-6190000
490538	(035232-004) Black Ball Knob	\$16.69 F0-8611000

Uflex Two-Lever Top Mount Control



- Two lever/single action control; each lever operates separately either the throttle or shift.
- Suitable for use with outboard, inboard or I/O power plants.
- Flush mount suitable for exposed positions such as flying bridge.
- Made of marine aluminum with chrome plated lever.
- Throttle lever is provided with adjustable brake tension release system and shift lever with forward, reverse and neutral detents.
- Both the brake tension release and detents can be installed and adjusted from the outside.
- Neutral safety switch X12 included prevents in-gear starting.
- For use with Ultraflex C2, C8 MACHZero and all 33C style engine control cables. Ultraflex C22 and all 43C style cables require K22 connection kit.

Order No.	Mfg. No. / Description	List Price
2006678	(B46) With Throttle and Shift	\$414.39 F0-7009200

Uflex Two-Lever Side Mount Control



- Suitable for all outboard engines.
- Made of nylon fiberglass with anodized aluminum levers.
- Left or right side mount installation.
- For use with Ultraflex engine control cables: C14 and MACH14 with K23. C4 with K24. C2, C8, MACHZero and all 33C style cables with K25. C5 and MACH5 without connection kit Mercury no connection kit needed, OMC pre 1979 with K24, BRP (OMC) post 1979 with K23, Yamaha/Honda/Suzuki with K25.

Order No.	Mfg. No. / Description	List Price
2006680	(B49) Black Finish	\$182.99 F0-9082100

Dometic Replacement Stainless Steel Lever



- Stainless steel throttle knobs fit most controls with 3/8-24 threaded levers.
- Stainless steel replacement lever fits Dometic 839007 SLT (CH5600P) and 402141 SR Twin (CH5400P) controls only.

Order No.	Mfg. No. / Description	List Price
402178	(CA69060P)	\$81.39 F0-7965000

Dometic Bowden Wire Pivot



- Can be used with wire control to trip levers, choke handles, choke knobs, etc.
- Brass with stainless steel locking screw.

Order No.	Mfg. No. / Description	List Price
494067	(047641) Stop Pivot for 33C Series, 1/4"	\$25.09 F0-6571000

Dometic T-Handle DC Control



- Can be mounted flush on the dashboard or the side of the wheel box.
- Recommended for throttle, choke, air or fuel shutdown requiring up to 3" of travel.
- Chrome plated T-handle and adjustable stop locking knurled nut.
- Uses standard 33C cable with 3/16" thread.
- Optional mounting bracket is available for side of console mounting.

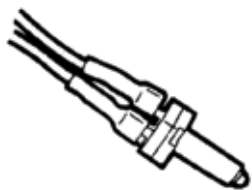
Order No.	Mfg. No. / Description	List Price
489509	(301916) DC Control	\$96.19 F0-3376000
489511	(048210) Mounting Bracket, Stainless Steel	\$48.79 F0-5143000

- Electronics
- Trolling Motors
- Instruments
- Electrical
- Lighting
- Anchor & Dock
- Safety
- Steering, Controls
- Pumps
- Fuel System
- Seating & Pedestals
- Trailering
- Tops & Covers
- Perform.
- Propellers
- Engine & Care
- Cleaning & Care
- Paint & Paint Acc.
- Fun & Flotation
- Topside Acc.
- Cockpit & Deck
- Hardware, Fasteners
- Camouflage
- Misc.
- Comm.



Uflex Accessories for Control Boxes

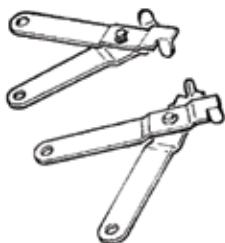
Uflex Neutral Safety Switch



- Neutral safety switch to prevent in-gear starting.

Order No.	Mfg. No. / Description	List Price
2007350	(X12)	\$43.99 FO-9703000

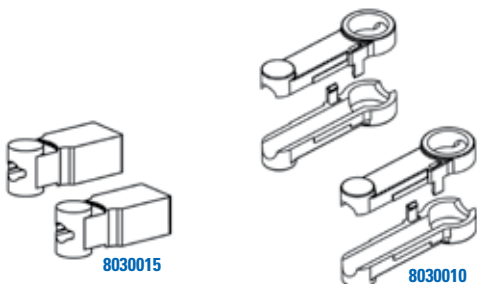
Uflex Connection Kit for Single Lever Control Boxes



- Kit to connect C5, C16, MACH5 and Mercury Style cables to single lever control boxes, except B301, B302, B103 and B104.

Order No.	Mfg. No. / Description	List Price
2006845	(K35)	\$22.99 FO-9061000

Uflex Connection Kits for B301 and B302 Control Boxes



- K60 CONNECTION KIT**
- Kit to connect C5, C16, MACH5 and Mercury (except GEN II) cables to B301 and B302 control boxes.

Order No.	Mfg. No. / Description	List Price
8030010	(K60)	\$12.59 FO-1880000

- K62 CONNECTION KIT**
- Kit to connect C36, MACH36 and Mercury GEN II cables to B301 and B302 control boxes.

Order No.	Mfg. No. / Description	List Price
8030015	(K62)	\$20.39 FO-7241000

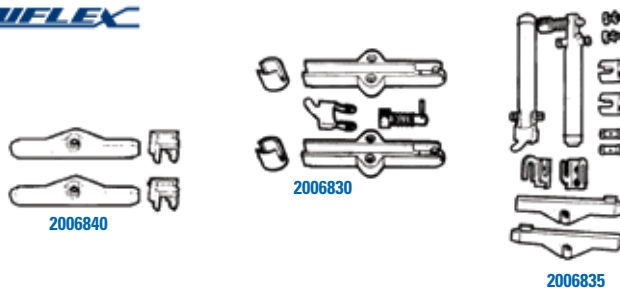
Uflex PTO Cable



- Ends: 1/4" x 28 UNF.

Order No.	Mfg. No. / Description	List Price
494120	(CPTOX30) Length 30'	\$661.19 HO-1769300

Uflex Connection Kits for B47 and B49 Control Boxes



K23 CONNECTION KIT

- Kit to connect C14, MACH14 and OMC type "OS" cables to B47 and B49 control boxes.

Order No.	Mfg. No. / Description	List Price
2006830	(K23)	\$18.59 FO-1031000

K24 CONNECTION KIT

- Kit to connect C4 and OMC type "O" cables to B47 and B49 control boxes.

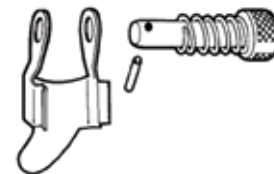
Order No.	Mfg. No. / Description	List Price
2006835	(K24)	\$60.99 FO-9624000

K25 CONNECTION KIT

- Kit to connect C2, C8, MACHZero and all 33C style cables to B47 and B49 control boxes.

Order No.	Mfg. No. / Description	List Price
2006840	(K25)	\$12.59 FO-1880000

Uflex Connection Kit for B89 and B90 Control Boxes



- Kit to connect C14, MACH14 and OMC type "OS" cables to B89 and B90 control boxes.

Order No.	Mfg. No. / Description	List Price
2006850	(K51)	\$12.59 FO-1880000

T-H Marine Throttle Control Mount



- This bracket allows for simple installation of a throttle control box on gunwale of aluminum and some fiberglass boats.
- Made of high quality, formed .090" aluminum sheet for a long lasting good appearance.
- Can be painted to match boat paint color.

Order No.	Mfg. No. / Description	List Price
640943	(TCM-1-DP)	\$45.39 HO-3272000

- Electronics
- Trolling Motors
- Instruments
- Electrical
- Lighting
- Anchor & Dock
- Safety
- Steering, Controls
- Pumps
- Fuel System
- Seating & Pedestals
- Trailering
- Tops & Covers
- Perform.
- Propellers
- Engine & Care
- Cleaning & Care
- Paint & Paint Acc.
- Fun & Flotation
- Topside Acc.
- Cockpit & Deck
- Hardware, Fasteners
- Camouflage
- Misc.
- Comm.

Kobel Push Pull Control Heads - One Station, Single Lever



Cable Kit



441016

441004

- Chrome finish cover and handle.
- Curved handle.
- All components are made from die-cast bronze with stainless steel hardware.
- Solid bronze frame for watertight installation.
- Stainless steel shaft supported in two bearings.
- Roller type detent.
- Adjustable nylon throttle friction.
- Neutral safety switch.
- In-line push or pull on cable end.
- Reverse motion hook-up for clutch and throttle.
- Throttle movement proportional to handle travel.
- Maximum clutch travel is 3" and Maximum throttle travel is 1-5/8".
- The 2048 consists of two 2046's jointed on a common frame and dome.

Order No.	Mfg. No. / Description	List Price	
441004	(2046-KU) Single Handle	\$870.99	G0-6538500
441016	(2048-KU) Twin Handle	\$1,567.09	G0-5994010
441509	(2046-0902) 40 Series Cable Connector Kit	\$36.69	F0-8652000
441511	(2046-0901) 30 Series Cable Connector Kit	\$25.69	F0-8971000

Kobel Two Handle Push Pull Control Heads



- Two long handles with one detent and one friction.
- All components are made from die-cast bronze with stainless steel hardware.
- Chrome finish cover and handle.
- Solid bronze frame for watertight installation.
- Stainless steel shaft supported in two bearings.
- Roller type detent.
- Adjustable nylon throttle friction.
- Neutral safety switch.
- In-line push or pull on cable end.
- Reverse motion hook-up for clutch and throttle.
- Throttle movement proportional to handle travel.
- 3" stroke.
- The cable support bracket has been shortened to improve cable attachment access to the Control head.



Order No.	Mfg. No. / Description	List Price	
440987	(2015DK) Long Handles	\$702.09	G0-0407400
440999	(2015DKU) Long Curved Handles	\$702.09	G0-0407400
441507	(2015-0902) 40 Series Cable Connector Kit	\$37.39	F0-7162000
441508	(2015-0901) 30 Series Cable Connector Kit	\$28.89	F0-2202000

Kobel Push Pull Control Heads - Two Stations, Single Lever



Cable Kit



441181

441129

- Chrome finish cover and handle.
- T-bar handle.
- All components are made from die-cast bronze with stainless steel hardware.
- Solid bronze frame for watertight installation.
- Stainless steel shaft supported in two bearings.
- Roller type detent.
- Adjustable nylon throttle friction.
- Neutral safety switch.
- In-line push or pull on cable end.
- Reverse motion hook-up for clutch and throttle.
- Throttle movement proportional to handle travel.
- The 2091 and 2092 master control heads feature a pullout handle for overriding throttle.
- Maximum clutch travel is 2-3/4" and Maximum throttle travel is 2-1/4".

Order No.	Mfg. No. / Description	List Price	
441129	(2091-KY) One Engine Primary Control	\$987.59	G0-9616600
441131	(2093-KY) One Engine Secondary Control	\$632.99	G0-0142400
441181	(2092-KY) Two Engines Primary Control	\$2,046.39	G0-8017310
441193	(2094-KY) Two Engines Secondary Control	\$1,104.09	G0-4793700
441509	(2046-0902) 40 Series Cable Connector Kit	\$36.69	F0-8652000
441511	(2046-0901) 30 Series Cable Connector Kit	\$25.69	F0-8971000
441117	(2090-1012) Replacement Chain Assembly	\$213.19	G0-4824100

Control Cables for Interconnect 2090 Series Control Heads



Order No.	Mfg. No. / Description	List Price	
350102	(45808) Cable Length 16'	\$141.98	G0-3159000
350126	(45808) Cable Length 20'	\$187.98	G0-5952100
350140	(45808) Cable Length 24'	\$198.98	G0-2333100
350164	(45808) Cable Length 28'	\$214.98	G0-4044100
350188	(45808) Cable Length 32'	\$235.98	G0-1185100
350190	(45808 47-34') Cable Length 34'	\$241.98	G0-3126100
350203	(45808) Cable Length 36'	\$256.98	G0-8127100
350215	(45808) Cable Length 56'	\$416.98	G0-8397200

- Electronics
- Trolling Motors
- Instruments
- Electrical
- Lighting
- Anchor & Dock
- Safety
- Steering, Controls
- Pumps
- Fuel System
- Seating & Pedestals
- Trailering
- Tops & Covers
- Perform.
- Propellers
- Engine & Care
- Cleaning & Care
- Paint & Paint Acc.
- Fun & Flotation
- Topside Acc.
- Cockpit & Deck
- Hardware, Fasteners
- Camouflage
- Misc.
- Comm.

VITALS

VESSEL SYSTEM MONITORING & SMART ALARM DEVICE (highly configurable)



KOBELT introduces the next generation in vessel monitoring.



Vitals provides advanced warning of potential equipment failures with an array of SMART alarms that alert you to potential problems before they become catastrophic. The specific benefit of this centralized monitoring and alarm system is that it can be easily configured to suit *your* specific boat. Be it the temperature of a critical bearing or the cycle times of your bilge pumps, Vitals will monitor your vessel's critical systems and alert you when any piece of monitored equipment is outside of its defined running parameters. With Vitals, you can set early warning signals at thresholds relevant to the specific equipment that needs monitoring. This improves the accuracy of alarms and avoids nuisance notifications. When an alarm is activated, the Vitals menu will accurately pinpoint exactly what the alarm pertains to, and corrective action can be taken immediately, with no wasted downtime trying to figure it out.

Vitals is designed to suit a vessel of any size, and is easy and intuitive to set up and configure. Most importantly, Vitals offers an early warning system that can prevent an otherwise simple problem from turning into an expensive repair, downtime, and the loss of use and enjoyment of your vessel. Enjoy your voyage knowing that you are protecting your investment *and* protecting the safety of those on board with Vitals.

Features

- Capacitive colour touch screen
- NMEA 2000, NMEA 0183, digital, analog & frequency inputs
- Eight digital inputs
- Four 0-32 volt DC analog inputs
- Two additional analog input channels
- Two frequency inputs
- Smart Temperature bus can connect up to twelve temperature sensors
- One programmable solid state relay output
- Optional input expansion modules are available

Benefits

- Easy & intuitive to set up and configure
- Highly configurable (can monitor anything)
- SMART functions (will customize your warning thresholds & alarms)
- Full featured engine monitoring
- Monitors battery voltage, oil pressure, water temperature, turbo boost, transmission pressure and much more
- Also monitors tank levels with standard tank level float sensors
- Measures RPM on two engines
- Integrated alarm speaker and also capable of visual alarms (Strobe light)
- Temperature sensors can measure alternators, pumps, hydraulic tanks and engine compartment

8238 129th Street, Surrey, British Columbia, Canada, V3W 0A6

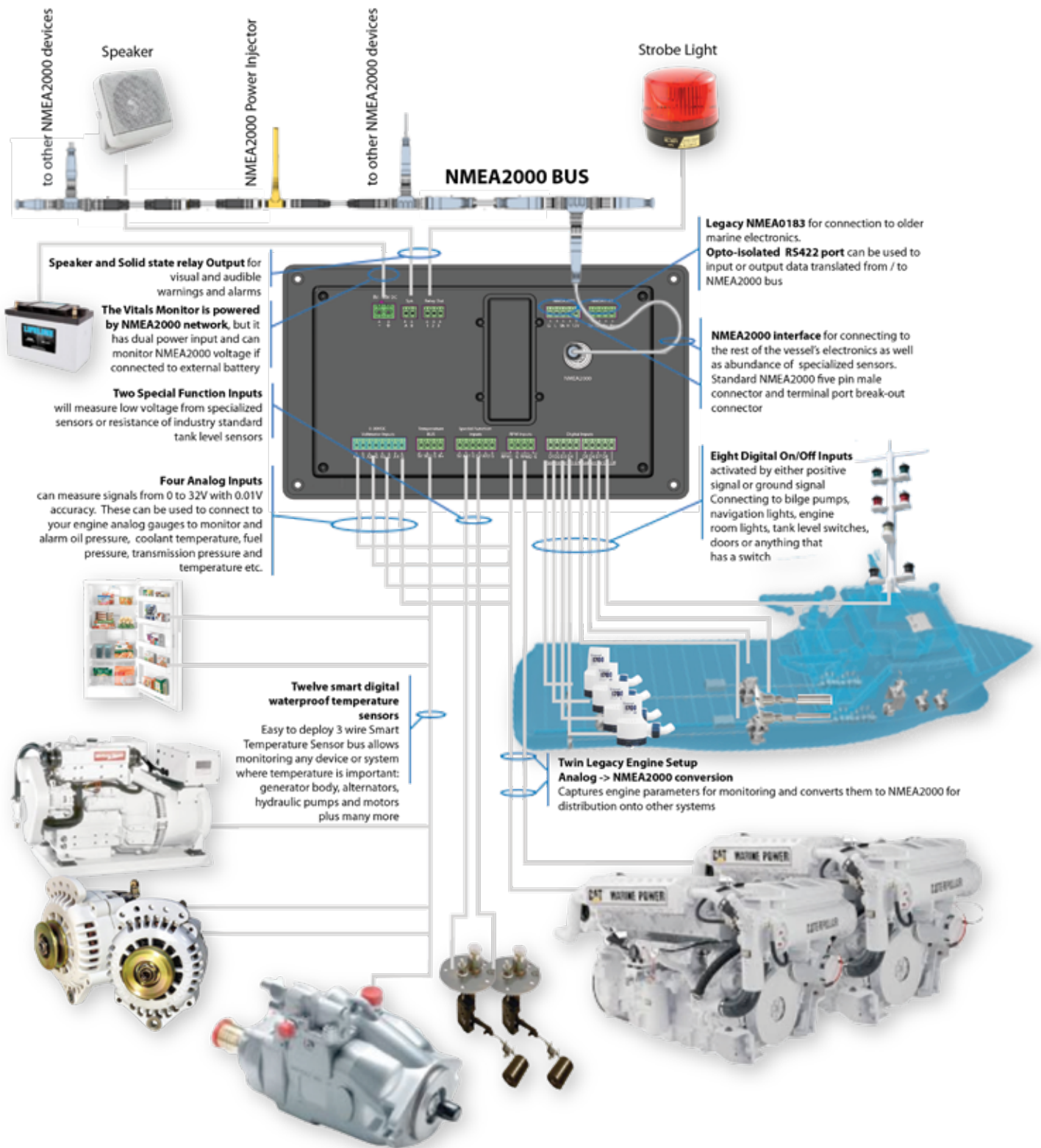
604.572.3935 • sales@kobelt.com • www.kobelt.com

www.repuestoselnavegante.com

KOBELT

El Navegante

VITALS | FUNCTIONAL DIAGRAM



8238 129th Street, Surrey, British Columbia, Canada, V3W 0A6
604.572.3935 • sales@kobelt.com • www.kobelt.com

www.repuestoselnavegante.com

El Navegante

KOBELT

POWER & CONTROL

i7700 ELECTRONIC ENGINE CONTROL

The simple to install i7700 electronic control system replaces the existing mechanical control system. Why wrestle with your mechanical controls when you can have the benefits of electronic controls for a fraction of the cost of a new engine.

EXCEEDINGLY
RESPONSIVE & ROBUST

ALL-IN-ONE
ACTUATOR HOUSING

SINGLE OR TWIN
ENGINE APPLICATIONS



- Electronics
- Trolling Motors
- Instruments
- Electrical
- Lighting
- Anchor & Dock
- Safety
- Steering, Controls**
- Pumps
- Fuel System
- Seating & Pedestals
- Trailering
- Tops & Covers
- Perform.
- Propellers
- Engine & Care
- Cleaning & Care
- Paint & Paint Acc.
- Fun & Flotation
- Topside Acc.
- Cockpit & Deck
- Hardware, Fasteners
- Camouflage
- Misc.
- Comm.

Mobile living made easy.



The i7700 actuator contains both the shift and throttle actuator within one compact housing and are not only powerful enough to manage the shift and throttle functions on the most extreme applications, they are also exceedingly responsive and robust. The actuators are linked to the control heads via a single 1/4" (6mm) CANbus cable making cable routing incredibly easy. In addition, the i7700 actuators have a mechanical back up "get home" feature which allows simple manual control should the need arise.

FEATURES

- Two cable actuators in a single chassis for complete shift and throttle control
- Utilizes automotive high speed CAN network (250 kbps)
- Maximum programmable cable travel: 3.14" (80 mm)
- Maximum load capability: 135 lbs [600 N]
- Maximum cable speed: 4.72 in/s [120 mm/s]
- Unit weight: 15 lbs [6.75 kg]
- Programmable home position
- Standard or customizable throttle curves forward and reverse
- Compatible with the Xtreme family of control cables (CCX633XX series)
- Dual redundant position sensing on all moving components
- Rugged electronics for 12 VDC applications
- Integrated neutral start protection (NSP) switch
- Low backlash position control
- Meets or exceeds ABYC, CE, ISO and SAE electrical and environmental requirements
- RPM input: NMEA 2000 or analog pulse compatible
- User settable trolling mode
- Single lever operation syncs both engine RPM's
- Control head features universal trim switch model built into port handle
- Independent trim switches available (dash mount kit HA5491)
- Maximum of three control heads per vessel
- Single or twin engine applications
- Override feature provides simple shift and throttle emergency engagement

NOTE: Requires Setup Tool EPSK1207 for installation.

i7700 SYSTEMS

Order No.	Mfg. No. / Description	List Price
489100	(I7711) Single Engine	\$3,235.29 F0-0746220
489105	(I7751) Single Engine with Trim	\$3,333.29 F0-0333320
489110	(I7852) Dual Engine with Trim	\$5,490.19 F0-3134830

ADDITIONAL STATIONS SYSTEMS

Order No.	Mfg. No. / Description	List Price
489115	(I7711A) Single Engine	\$1,437.89 F0-2560010
489120	(I7751A) Single Engine with Trim	\$1,498.29 F0-0884010
489130	(I7712A) Dual Engine	\$1,628.99 F0-9204110
489125	(I7752A) Dual Engine with Trim	\$1,709.39 F0-7569110

ACCESSORIES

Order No.	Mfg. No. / Description	List Price
489135	(HA5491) Dual Trim Switch Panel	\$317.99 F0-9522200
489140	(EPSK1207) EST Display Setup Tool	\$854.29 F0-0089500

ENVIRONMENTAL

Operating Temperature

-18°C to +77°C [ISO 25197]

Storage Temperature

-40°C to +85°C [ISO 25197]

Corrosion Resistance

300 hrs. salt spray [ASTM B117]

Water Ingress Protection

IPX7 [IEC 60529]

Random Vibration

0.0284 g²/Hz [ABYC P-24]

Resonant Vibration

1G zeropeak, 20-2000 Hz [ABYC P-24]

Mechanical Shock

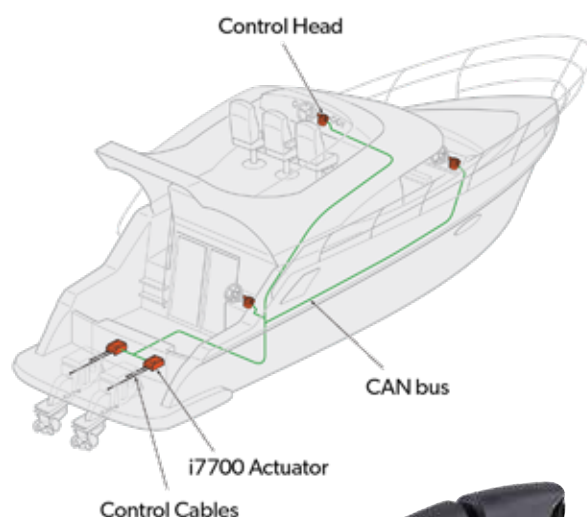
50 G, 11 m-sec half-sine shape [ISO 25197]

Ignition Protection

SAEJ-1171

Meets EN60945 electromagnetic compatibility requirement

EXAMPLE OF I7700 ACTUATOR APPLICATION.



Electronics

Trolling Motors

Instruments

Electrical

Lighting

Anchor & Dock

Safety

Steering, Controls

Pumps

Fuel System

Seating & Pedestals

Trailering

Tops & Covers

Perform.

Propellers

Engine & Care

Cleaning & Care

Paint & Paint Acc.

Fun & Flotation

Topside Acc.

Cockpit & Deck

Hardware, Fasteners

Camouflage

Misc.

Comm.



BETTER CONTROL OF THE BOAT IN ALL APPLICATIONS

i7700 SYSTEMS

TOOL REQUIRED TO SET UP SYSTEM	EST DISPLAY SETUP TOOL FOR CONFIGURATION (EPSK1207)				
	KIT PART #	i7711	i7751	i7712	i7752
		SINGLE ENGINE	SINGLE ENGINE WITH TRIM	DUAL ENGINE	DUAL ENGINE WITH TRIM
ACTUATORS					
Actuator, i7700 Universal	AC7700	1	1	2	2
CONTROL HEAD KITS					
Single Top Mount, Control Head Kit	CH6810NT	1	-	-	-
Single Top Mount, Control Head Kit, with Trim	CH6810	-	1	-	-
Dual Top Mount Control Head Kit	CH6800NT	-	-	1	-
Dual Top Mount Control Head Kit, with Trim	CH6800	-	-	-	1
HARNESSES/TEES					
NMEA Communication Kit (2 tees, 1 male and 1 female terminator)	CM20001	1	1	1	1
Single CanBus Tee	CM10060	-	-	1	1
Micro C Ext, M-F (6ft CAN bus harness)	CM10006	1	1	1	1
Micro C Ext, M-F (12ft CAN bus harness)	CM10012	1	1	1	1
Micro C Ext, M-F (20ft CAN bus harness)	CM10020	1	1	1	1
MANUALS					
Book # 79 i7700 User Manual (stand alone)	710465	1	1	1	1
Book # 77 i7700 Installation Manual	710351	1	1	1	1
Quick Ref. - Single	710038	1	1	-	-
Quick Ref. - Dual	710013	-	-	1	1
OPTIONAL ACCESSORIES					
Dual trim switch panel for independent operation	HA5491	-	-	-	-
ADDITIONAL STATIONS KITS					
	KIT PART #	i7711A	i7751A	i7712A	i7752A
		SINGLE ENGINE	SINGLE ENGINE WITH TRIM	DUAL ENGINE	DUAL ENGINE WITH TRIM
CONTROL HEAD KITS					
Single Top Mount, Control Head Kit	CH6810NT	1	-	-	-
Single Top Mount, Control Head Kit, with Trim	CH6810	-	1	-	-
Dual Top Mount Control Head Kit	CH6800NT	-	-	1	-
Dual Top Mount Control Head Kit, with Trim	CH6800	-	-	-	1

CONTINUED ON NEXT PAGE

dometic.com

469261B | REV. 02192019

- Electronics 
- Trolling Motors 
- Instruments 
- Electrical 
- Lighting 
- Anchor & Dock 
- Safety 
- Steering, Controls** 
- Pumps 
- Fuel System 
- Seating & Pedestals 
- Trailerling 
- Tops & Covers 
- Perform. 
- Propellers 
- Engine & Care 
- Cleaning & Care 
- Paint & Paint Acc. 
- Fun & Flotation 
- Topside Acc. 
- Cockpit & Deck 
- Hardware, Fasteners 
- Camouflage 
- Misc. 
- Comm. 

BETTER CONTROL OF THE BOAT IN ALL APPLICATIONS



HARNESSES/TEES					
Single Tee	CM10060	1	1	1	1
Micro C Ext, M-F (30ft CAN bus harness)	CM10030	1	1	1	1

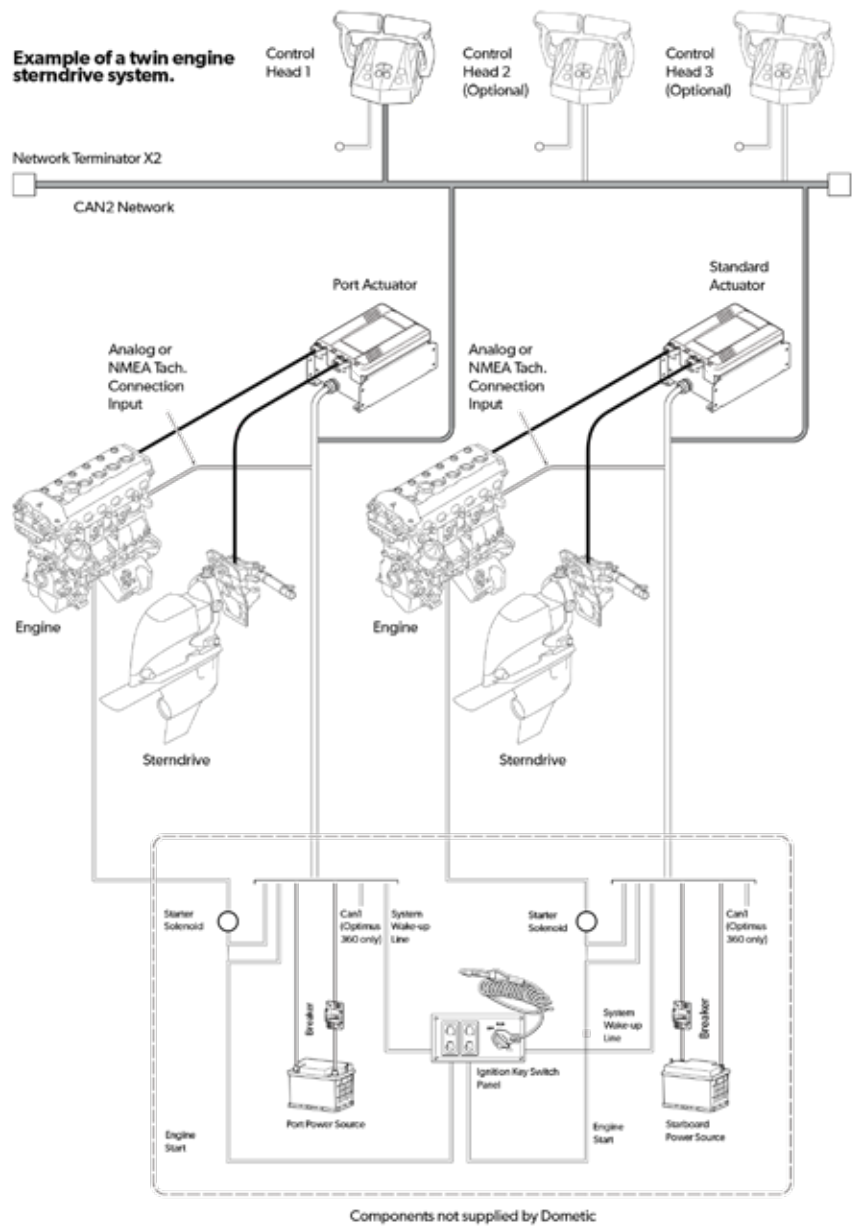
ADDITIONAL NMEA HARNESSES LENGTHS	
PART NO.	LENGTH (FEET)
CM10001	1'
CM10003	3'
CM10006	6'
CM10009	9'
CM10012	12'
CM10020	20'
CM10030	30'

SPECIFICATIONS

LOAD VS. ACTUATION SPEED	
LOAD (LBS)	SPEED (IN/SEC)
0	4.72
40	3.14
135	0.787



dometic.com



- Electronics
- Trolling Motors
- Instruments
- Electrical
- Lighting
- Anchor & Dock
- Safety
- Steering, Controls
- Pumps
- Fuel System
- Seating & Pedestals
- Trailer
- Tops & Covers
- Perform.
- Propellers
- Engine & Care
- Cleaning & Care
- Paint & Paint Acc.
- Fun & Flotation
- Topside Acc.
- Cockpit & Deck
- Hardware, Fasteners
- Camouflage
- Misc.
- Comm.

ZF Mathers MicroCommander Electronic Engine Controls



455231



455228



455239

- Electronics █
- Trolling Motors █
- Instruments █
- Electrical █
- Lighting █
- Anchor & Dock █
- Safety █

• Cost competitive with hydraulic systems and the price is lower than pneumatic systems.

CONTROLS ANY ENGINE:

- Gas or diesel inboards, I/O's or outboards.
- Dual control available for twin engine boats.
- Easy to install or retrofit.
- Step-by-step instructions are available.
- Each system consist of: One actuator per engine, one single or dual control lever per station, one multiconductor cable per station, per engine, one power unit: 12 VDC 10 amp circuit per shaft and standard 33C push-pull cable and brackets for throttle and clutch connections.

TOP MOUNT CONTROLS

Order No.	Mfg. No. / Description	List Price
455239	(3341002030) Black T Handle, Single	\$407.00
455228	(3341002007) Black with Chrome Lever, Dual	\$677.00
455234	(3341004003) Black with Chrome Lever	\$1,302.00
455231	(3341004004) Chrome, Dual	\$1,466.00

ZF Mathers Control Actuator

- Pumps █
- Fuel System █
- Seating & Pedestals █
- Trailering █
- Tops & Covers █
- Perform. █
- Propellers █

• Order connection cable and 33C type cables separately.

Order No.	Mfg. No. / Description	List Price
455214	(3340004073) Actuator, MicroCommander	\$2,714.00

ZF Mathers 8-Conductor Connection Cables

- Paint & Paint Acc. █
- Fun & Flotation █
- Topside Acc. █
- Cockpit & Deck █
- Hardware, Fasteners █
- Camouflage █
- Misc. █
- Comm. █

• Sold per foot.

Order No.	Mfg. No. / Description	List Price
455252	(20-8CSTRTCOA) Length 500'	\$1.09/ft.
455249	(20-8CSTRTCOA) Length 1,000'	\$999.99

MULTI-STATION CONTROL:

- One to five stations can be installed per actuator and stations can be added at any time.

EASY STATION TRANSFER:

- Only one station is active at a time.
- However, you can move from station to station & take control simply by pushing a transfer button.
- Each station has one.

CONTROL INDICATOR LIGHTS

- When the light is on, it indicates that particular station has control.
- The light at all other stations will be off.

HIGH AND LOW IDLE SETTINGS:

- Low is ideal for slow trolling.
- High, which is adjustable to as much as 10% of the full speed range, enhances starting and warming up the engine or docking and maneuverability in tight quarters.

BUILT-IN DENTENTS:

- These indicate "Neutral", "Ahead" and "Astern" lever positions.
- They are spring loaded, rolling detents that last a lifetime and provide a firm, smooth feel.

DOUBLE INTERLOCKED CONTROLS:

- To start the engine, operator must have controls in "on" mode, lever must be in neutral and it can be moved thru the ahead speed range to start and warm-up engine without engaging the clutch.
- Fast reversals are sequenced to protect the drive train and engine.

ENGINE ROOM ACTUATOR:

- The actuator is located in the engine area, is water resistant against water spray and can be mounted in any attitude.
- It houses the electronics and two servo motors, one for throttle and one for shift.
- It is connected to the engine throttle and shift levers by short 33C type cables.
- It is connected to the controls by an 8-conductor shielded electric cable.

ZF Mathers Control Accessories

455484



Order No.	Mfg. No. / Description	List Price
455484	(70129067) Circuit Breaker, 10 amp	\$196.00
698021	10 amp Circuit Breaker	\$20.89

ZF Mathers Accessories

Order No.	Mfg. No. / Description	List Price
455164	(3340180005) Cable Grip, 3/4"	\$5.19
455224	(3341002016) Single Chrome Handle with Knob	\$407.00
483317	(AT11-1001) Air Treatment Component Service Kit	\$195.00
483367	(AD12-5001) Air Drive Service Kit	\$235.00
455407	(10232) Regulator	\$515.00
483521	(PA3-4201) Actuator Service Kit	\$220.00
453565	(SB06595) Alignment Disc	\$85.00
453574	(SB12261) Retractor Pin Kit	\$510.00
453578	(SB07385) Brake Tool	\$60.00
483468	(MG20-0200) Gauge Assembly, 0-100 Speed	\$195.00
483470	(MG21-0200) Gauge Assembly, 0-200 Ahead	\$195.00
483482	(MG21-0300) Gauge Assembly, 0-200 Astern	\$195.00
483494	(MG21-0400) Gauge Assembly, 0-200 Brake	\$195.00
483418	(CH5-5406) Overhaul Kit	\$345.00
483444	(CI-1074) Overhaul Kit Booster	\$320.00

ZF Mathers CruiseCommander



Contact Your Salesman or Donovan Marine for Your Specific Needs.

- CruiseCommand is a revolutionary control system for vessels with electronic engines and solenoid gears.
- CruiseCommand offers single lever control, four station capability and easy station transfer, station-in-command indicators, speed/shift sequence protection, neutral start interlock, high and low idle speed and audible and visual indicators.
- CruiseCommand features plug-in connections and an external keypad setup.
- The watertight enclosure never needs opening, making this a maintenance-free system.
- Built-in features include an LED troubleshooting display, synchronization and troll.
- Pluggable connections make installation nearly effortless.
- Determine cable length, engine and gear requirements, then plug in the system.
- Customized kits are provided to meet specific needs for production builders.
- An external keypad setup on the CruiseCommand enclosure makes configuring the controls easier than ever.
- Punch in a code and the processor makes the correct adjustments.
- Configurations can be changed at any time to meet new specifications.
- CruiseCommand's self-diagnostic software operates a multifunction LED display located on the front panel of each processor.
- This display allows for uncomplicated checking of battery voltage and clutch status for each engine, lever positions on each control head and multi-station transfer button status.
- CruiseCommand packs a lot of features into a small processor, including built-in troll and engine synchronization

Order No.	Mfg. No. / Description	List Price
455205	(3340002001) Control Processor	\$2,389.00 D0-0211910
700434	(APS-70) Automatic Power Selector	\$180.59 H0-5380100

ZF Mathers Accessories

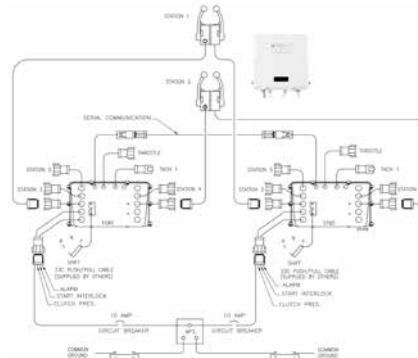
Order No.	Mfg. No. / Description	List Price
483503	(14512) Transfer Panel Dimmer ABS	\$490.00 A0-0009400
483519	(PA1-1501) Positioner Service Kit	\$110.00 B0-0099000
483533	(PA3-4100) Service Kit	\$555.00 B0-0599400
483537	(RV5-1500-2) Relay Valve	\$1,200.00 B0-0008010
483545	(RV5-1601) Relay Valve Service Kit	\$65.00 B0-0585000
483557	(RV8-1601) Relay Valve Service Kit	\$80.00 B0-0027000
483560	(SB20-1601) Repair Kit	\$750.00 B0-0057600
483569	(SB06652) Reline Kit, Caliper	\$730.00 B0-0075600
483570	(SB12260) Piston Kit	\$465.00 B0-0581400
483608	(SRK-QE45) Quick Exhaust Service Kit	\$60.00 B0-0045000
483343	(AD12-2301) Spool Valve Speed Interrupt	\$275.00 B0-0574200

ZF Mathers 9000 Series MicroCommander and ClearCommand



Example of Twin Screw - 2 Station Electronic Throttle Mechanical Shift

Note: Multi Engine applications, consult factory for specific needs and requirements.



- A single-lever electronic control system designed for precise, instant control of mechanical engines and gears on yachts and commercial vessels.
- Designed for vessels utilizing mechanical and electronic throttle and shift combinations.
- Standard features on both products include an LED display which utilizes self diagnostic software.
- The LED display codes for setup or system status.
- All system functions are incorporated on one circuit board, allowing easy customization of features.
- Increased vessel efficiency is achieved with engine synchronization, standard on every 9000 Series processor.
- One lever synchronization is programmed into all processors and allows multi-engine control with one lever.
- The circuit board is conformal coated to protect against humidity, contamination, dust and dirt.
- Meets EMC, CE and current environmental standards as well as UL 1500 with built in ignition protection.
- IP rating 44.

Requirements:

- (2) Power/Start Interlock Wire Harness
- (4) Control Head Wire Harness
- (1) Serial Wire Harness - On Twin Engine Applications
- (2) Tachometer Feedback Wire Harness - Synch Applications Only
- (2) 92102 Processors
- (1) APS - Automatic Power Selector
- (2) 10 AMP Circuit Breaker
- (2) 33C Push-Pull Cable (Supplied by Others)
- (2) Throttle Harness

Order No.	Mfg. No. / Description	List Price
455219	(3340004007) Engine, Electronic, Clutch, Solenoid	\$2,593.00 CO-5040220
455229	(3340004048) Engine, Servo 2, Clutch, Servo 1	\$2,840.00 D0-0027220
645756	(E1H-H500) Pressure Switch	\$169.69 CO-4244100
455217	(3340004028) Electronic Throttle, Mechanical	\$2,782.00 D0-0652220
455222	(3340004014) 4st Pluggable	\$3,701.00 CO-5854130
455478	(3340004082) Electronic Throttle/Shift	\$4,944.00 D0-0255930

Order No.	Mfg. No. / Description	List Price
483381	(CH5-5402) Update/Overhaul Kit	\$315.00 B0-0538200
483646	(VS2-1001) Service Kit for Shuttle	\$22.00 B0-0891000
483634	(VS2-1000) Shuttle Valve	\$80.00 B0-0027000
483329	(AD12-2101) Spool Valve Clutch	\$420.00 B0-0087300
483420	(CI-1038) Spool Valve Service Kit	\$60.00 B0-0045000
483610	(SV2-3501) Spool Valve Service Kit	\$48.00 B0-0234000
483331	(AD12-2201) Spool Valve Supply	\$495.00 B0-0554400
483498	(MS568-13838) Throttle ClearCommand ABS	\$2,025.00 A0-0052020
455220	(3340004013) ClearCommand - Elect Eng, Sol Gear	\$2,727.00 CO-5971320
455481	(12776) Potentiometer Feed Back	\$601.00 A0-0010600

- Electronics
- Trolling Motors
- Instruments
- Electrical
- Lighting
- Anchor & Dock
- Safety
- Steering, Controls
- Pumps
- Fuel System
- Seating & Pedestals
- Trailer
- Tops & Covers
- Perform.
- Propellers
- Engine & Care
- Cleaning & Care
- Paint & Paint Acc.
- Fun & Flotation
- Topside Acc.
- Cockpit & Deck
- Hardware, Fasteners
- Camouflage
- Misc.
- Comm.



Design Data Sheet - Hydraulic Steering System



Company Name: _____

Vessel Name: _____

Vessel Type: ___ Tug Model Bow ___ Push Boat ___ Ferry
 ___ Passenger Vessel ___ Supply Vessel ___ Crewboat
 ___ Fishing Vessel ___ Other: _____

Electronics Length: _____ Width: _____ Draft: _____

Trolling Motors Speed (Knots) Ahead: _____ Astern: _____

Instruments Rudder Speed (Hardover to Hardover) Steering: _____ SEC Flanking _____ SEC

Electrical Rudder Angle Max: Steering: _____ ° Flanking: _____ °

Lighting Propeller Size: _____ Kort Nozzles (Y/N): _____

Anchor & Dock Engine Make: _____ Model: _____ HP: _____ Qty.: _____

Safety Electric Power Available: _____ VAC Phase _____ VDC

Steering, Controls

Steering Controls Desired:

Type and # of Stations - Fill in Quantities Below

	Station 1	Station 2	Station 3
Fuel System Full Follow Up Electrical (Wheel):	_____	_____	_____
Seating & Pedestals Full Follow Up Electrical (Lever):	_____	_____	_____
Trailing Rudder Full Follow Up Mechanical:	_____	_____	_____
Tops & Covers Non Follow Up Jog:	_____	_____	_____
Perform. Rudder Angle Indicators:	_____	_____	_____

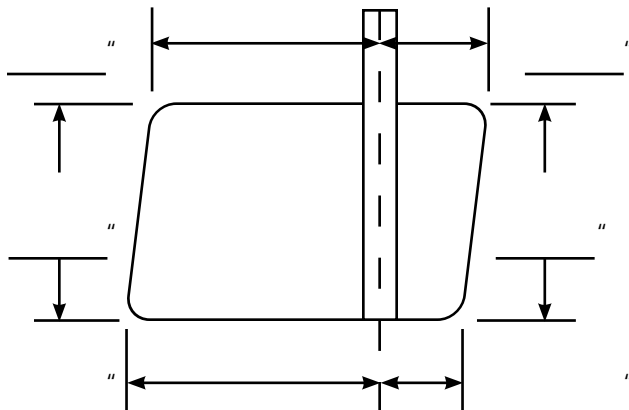
Propellers Autopilot Interface: Brand: _____ Type: _____

Engine & Care Vessel Classification: ABS, USCG, Other: _____

Cleaning & Care Existing Steering (Please Describe): _____

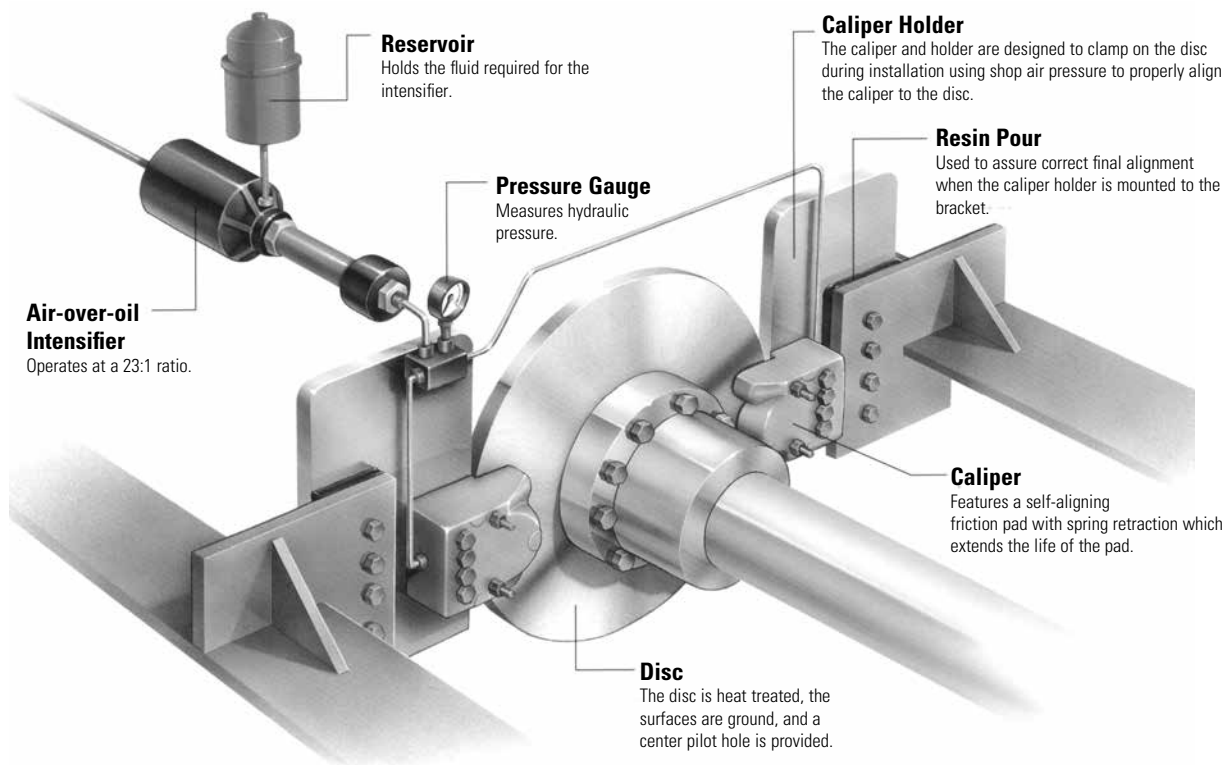
Paint & Paint Acc. _____

Fun & Flotation Steering Rudders: Qty: _____





ZF Mathers Propeller Shaft Brakes



Price On Request

- Mathers ShaftBrakes are designed to provide maximum drive train protection and faster, more precise maneuvering and control.
- Masters ShaftBrakes are recommended for use with any marine propulsion system using engines over 500 horsepower with reduction ratios of 4:1 or greater.

Brake Model	Disc Size	Number of Calipers	Torque
SB30-06612	1-3/8" x 24" Diameter	1	110,000 lbs.
SB31-06613	1-3/8" x 24" Diameter	2	220,000 lbs.
SB32-07390	1-3/8" x 30" Diameter	1	145,000 lbs.
SB32-06614	1-3/8" x 30" Diameter	2	290,000 lbs.
SB33-06615	1-3/8" x 36" Diameter	2	355,000 lbs.
SB36-07638	1-3/8" x 42" Diameter	2	425,000 lbs.
SB34-07126	1-3/8" x 36" Diameter	3	530,000 lbs.
SB35-06616	1-3/8" x 36" Diameter	4	710,000 lbs.
SB36-06617	1-3/8" x 42" Diameter	4	850,000 lbs.
SB37-06618	1-3/8" x 48" Diameter	4	990,000 lbs.
SB38-07454	1-3/8" x 54" Diameter	4	1,200,000 lbs.
SB37-06619	1-3/8" x 48" Diameter	6	1,500,000 lbs.

Consider these benefits:

- Reduces vessel maneuvering time. A vessel's forward velocity will slow faster with a stopped propeller.
- Added life for reduction gears and clutches. ShaftBrakes stop the propeller shaft with every change of direction, automatically. ShaftBrakes absorb the load which would normally be transmitted to the engaging clutch, thus extending clutch life.
- When used with Mathers propulsion controls, will help prevent engine stall. Certain types of marine engines tend to stall during high speed maneuvers or emergency reversals. Mathers ShaftBrakes and Mathers Controls can prevent that from happening.
- Superior to drum type brakes. Both installation and servicing are easier and calipers can be relined for considerably less cost than can drum brake components. Also, calipers do not have boots, which are costly to replace on drum brakes.
- Mathers propeller ShaftBrakes use hydraulic actuated calipers which are self-adjusting and spring retracting to alleviate unnecessary pad wear.
- A complete ShaftBrake package consists of the disc, caliper holder(s), caliper(s), and control kit.

Electronics

Trolling Motors

Instruments

Electrical

Lighting

Anchor & Dock

Safety

Steering, Controls

Pumps

Fuel System

Seating & Pedestals

Trailer

Tops & Covers

Perform.

Propellers

Engine & Care

Cleaning & Care

Paint & Paint Acc.

Fun & Flotation

Topside Acc.

Cockpit & Deck

Hardware, Fasteners

Camouflage

Misc.

Comm.

- Electronics
- Trolling Motors
- Instruments
- Electrical
- Lighting
- Anchor & Dock
- Safety
- Steering, Controls**
- Pumps
- Fuel System
- Seating & Pedestals
- Trailer
- Tops & Covers
- Perform.
- Propellers
- Engine & Care
- Cleaning & Care
- Paint & Paint Acc.
- Fun & Flotation
- Topside Acc.
- Cockpit & Deck
- Hardware, Fasteners
- Camouflage
- Misc.
- Comm.

5027-H | HYDRAULIC APPLIED CALIPER DISC BRAKE

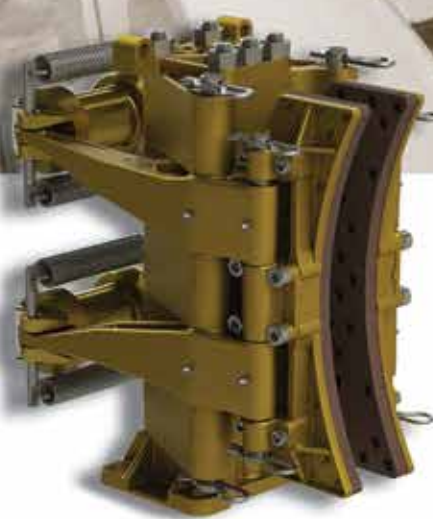


KEY BENEFITS

Bronze & stainless steel construction

Easily changed brake pads

Well matched to Kobelt's standard range of 2"x4" ventilated discs



Putting you in control.

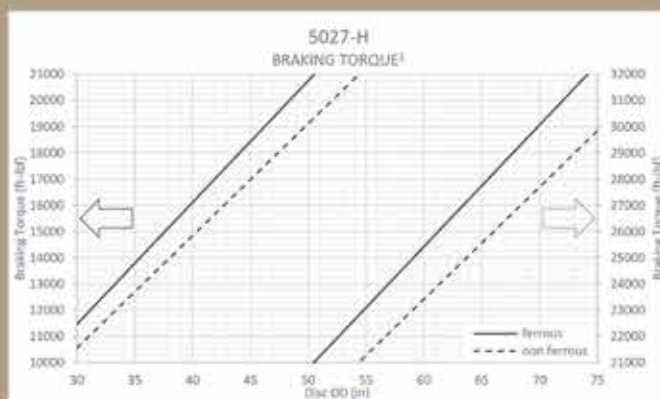
Constructed entirely of bronze and stainless steel, Kobelt's hydraulic applied disc brakes are built to last in the harshest, most corrosive conditions.

The brake features a shoe design which allows the brake pads to be easily and quickly changed while leaving the caliper in place.

Available with several options, these caliper disc brakes are well suited for service braking applications in the winches, pleasure craft and other light duty applications.

SPECIFICATIONS

Normal Force:	14,670 lbs	[65.3 KN]
Maximum Pressure:	1000 psi	[69 bar]
Port Size:	-4 ORB	
Actuator Volume:	3.9 in ³	[63 cc]
Temperature Range:	-40°F...+131°F	-40°C...+55°C
Disc Thickness:	2 in	[50.8 mm]
Minimum Disc Diameter:	28 in	[711 mm]
Maximum Disc Diameter²:	75 in	[1905 mm]
Pad Life:	4630 hp-hr	[3454 kw-hr]
Weight:	172 lbs	[78 kg]



¹ Values in this chart are theoretical and for reference only. They are based on properly bedded and burnished linings acting on a rotor at 20°C and manufactured to required specifications.

² Requires a minimum 5.12 in [130 mm] wide face.

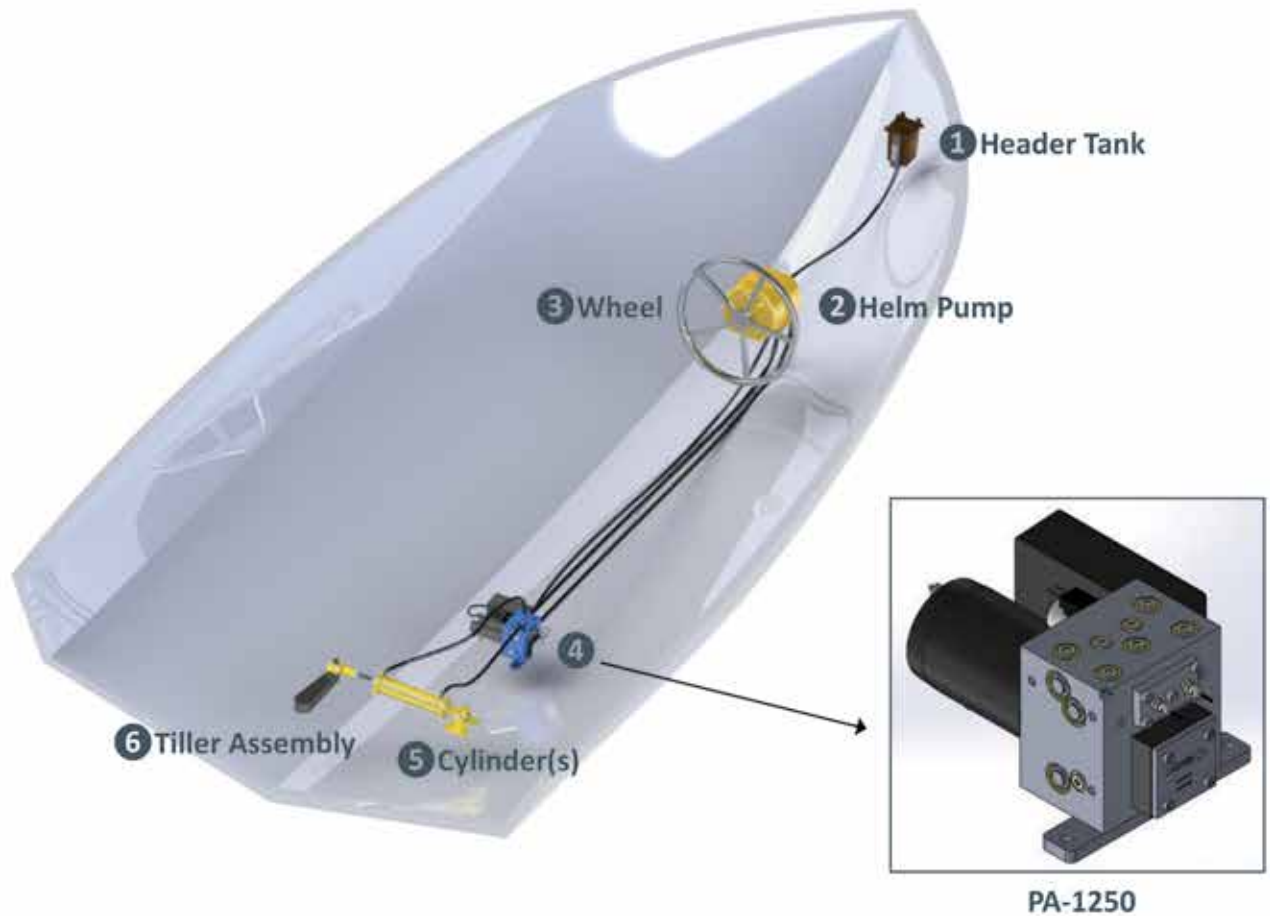
PA-1250 | ACCU-STEER POWER ASSIST STEERING (A Kobelt Product)

Key Features

- Designed for durability and reliability
- 12V or 24V options available
- Configurable to different pressure and flow requirements
- Automatically reverts to manual mode in the event of power loss

Key Benefits

- Fingertip steering to reduce operator fatigue
- Long lifecycle ensures lower cost of ownership
- Easy to install to upgrade an existing steering system (OEM or retrofit)
- Wiring harness included
- Added safety of automatically returning to manual mode in the event of a power loss
- Suitable for use with any autopilot



TYPICAL SYSTEM SUPPLY		
1	Header Tank	Optional
2	Helm Pump	Required
3	Wheel	Optional
4	PA-1250	Required
5	Cylinder(s)	Required
6	Tiller Assembly	N/A on outboard installations

VARIOUS FLOW / PRESSURE CONFIGURATIONS AVAILABLE	
Flow / Sec	Pressure
1.25 in ³ / 20.5 cm ³	1200 psi / 82.7 bar
1.88 in ³ / 30.8 cm ³	1000 psi / 68.9 bar
3.50 in ³ / 57.4 cm ³	700 psi / 48.3 bar

Other Flow/Pressure configurations are available upon request. Please contact Kobelt for details.

- Electronics
- Trolling Motors
- Instruments
- Electrical
- Lighting
- Anchor & Dock
- Safety
- Steering, Controls**
- Pumps
- Fuel System
- Seating & Pedestals
- Trailer
- Tops & Covers
- Perform.
- Propellers
- Engine & Care
- Cleaning & Care
- Paint & Paint Acc.
- Fun & Flotation
- Topside Acc.
- Cockpit & Deck
- Hardware, Fasteners
- Camouflage
- Misc.
- Comm.

How to Measure Control Cables. Courtesy of Dometic Solutions



FIRST-TIME CONTROL CABLE INSTALLATIONS:

Outboards: Measure from control along unobstructed cable routing to center of outboard. Add four feet to allow for loop which provides unrestricted engine movement. Round up to next whole foot and order that length cable(s).

Stern Drives and Inboards: Measure from control along unobstructed cable routing to shift and/or throttle connection. Round this dimension off to the next whole foot and order that length cable(s).

REPLACING AN EXISTING CABLE:

Measure the Existing Cable as Follows: Measure the cable from tip to tip in inches, and round up to next even foot. Order that length cable.

Dometic OMC Control Cables - 400 Series



- Drop-in replacement cables are engineered as replacements for original equipment cables. Cables use the existing connection components.
- Stainless steel and brass fittings.
- **CC170 (400 Type) Pre-1979 OMC/Johnson/Evinrude with BRP/OMC Controls.**

STANDARD REPLACEMENT CONTROL CABLES

- Suitable for most applications with short, simple cable routings.
- Uses stainless steel Lubri-Core core wire for smooth operation and long life (8" minimum bend radius).

Order No.	Length	List Price	Order No.	Length	List Price		
648088	7'	\$37.79	F0-5462000	648141	13'	\$39.19	F0-3472000
648090	8'	\$36.19	F0-3352000	648153	14'	\$40.09	F0-6082000
648103	9'	\$37.09	F0-6952000	648165	15'	\$40.99	F0-9682000
648115	10'	\$36.49	F0-4552000	648177	16'	\$41.89	F0-2392000
648127	11'	\$37.39	F0-7162000	648189	17'	\$45.89	F0-2123000
648139	12'	\$38.29	F0-0862000	648191	18'	\$43.69	F0-8503000

Dometic OMC/Volvo Control Cables



- Drop-in replacement cables are engineered as replacements for original equipment cables. Cables use the existing connection components.
- Stainless steel and brass fittings.
- **CCX214 (Volvo/OMC Cable) Volvo engines using BRP/OMC Side Mount Controls.**

XTREME REPLACEMENT CONTROL CABLES

- Can be used in any boat.
- They are by far the best choice for long runs, twin stations or other difficult routings with multiple cable bends.
- Have a heavy jacket and the Xtreme splined, coated core element for maximum smoothness with minimal lost motion (4" minimum bend radius).

Order No.	Length	List Price	Order No.	Length	List Price		
8020431	10'	\$51.19	F0-3853000	8020436	15'	\$57.99	F0-9504000
8020432	11'	\$52.49	F0-4763000	8020437	16'	\$56.89	F0-2893000
8020433	12'	\$52.39	F0-7663000	8020438	17'	\$58.99	F0-9214000
8020434	13'	\$53.69	F0-8573000	8020439	18'	\$60.39	F0-7224000
8020435	14'	\$54.29	F0-0083000	8020440	20'	\$62.99	F0-9044000

Dometic OMC Control Cables - 479 Series



- Drop-in replacement cables are engineered as replacements for original equipment cables. Cables use the existing connection components.
- Stainless steel and brass fittings.
- **CC205 (479 Type) (1979 - Date) BRP/OMC/Johnson/Evinrude/Gale with BRP/OMC Controls.**

STANDARD REPLACEMENT CONTROL CABLES

- Suitable for most applications with short, simple cable routings.
- Uses stainless steel Lubri-Core core wire for smooth operation and long life (8" minimum bend radius).

Order No.	Length	List Price	Order No.	Length	List Price		
648521	10'	\$34.89	F0-2442000	648595	17'	\$40.29	F0-0282000
648533	11'	\$35.69	F0-8942000	648608	18'	\$41.19	F0-3882000
648545	12'	\$36.49	F0-4552000	648610	19'	\$41.99	F0-9392000
648557	13'	\$37.29	F0-0162000	648622	20'	\$42.69	F0-8892000
648569	14'	\$37.99	F0-9562000	648634	22'	\$61.79	F0-5234000
648571	15'	\$38.79	F0-5172000	648636	24'	\$64.59	F0-1254000
648583	16'	\$39.59	F0-1772000				

XTREME REPLACEMENT CONTROL CABLES

- Can be used in any boat.
- They are by far the best choice for long runs, twin stations or other difficult routings with multiple cable bends.
- Have a heavy jacket and the Xtreme splined, coated core element for maximum smoothness with minimal lost motion (4" minimum bend radius).

Order No.	Length	List Price	Order No.	Length	List Price		
495730	6'	\$38.99	F0-9272000	4951620	15'	\$47.39	F0-7133000
495742	7'	\$39.79	F0-5872000	495475	16'	\$48.59	F0-1043000
495444	8'	\$39.99	F0-9972000	4951625	17'	\$49.89	F0-2943000
495446	9'	\$41.29	F0-0982000	495487	18'	\$51.09	F0-6753000
495449	10'	\$41.19	F0-3882000	495499	20'	\$53.59	F0-1573000
4951610	11'	\$42.49	F0-4792000	495502	22'	\$57.79	F0-5404000
495451	12'	\$43.69	F0-8503000	495506	26'	\$63.39	F0-7344000
4951615	13'	\$44.89	F0-2413000	495893	28'	\$68.99	F0-9284000
495463	14'	\$46.19	F0-3323000	495906	30'	\$73.79	F0-5615000

Uflex MACH14 Control Cables



- MACH 14 (for BRP).
- For BRP - Evinrude (OMC) engines manufactured from 1979 to date.
- High efficiency for smooth operation.
- High flexibility for reduced bend radius.
- Ideal for long complex cable routings.
- Stainless steel cables end fittings.
- High resistance blue outer jacket against abrasion, UV and chemicals.

Order No.	Length	List Price	Order No.	Length	List Price		
8031310	8'	\$40.59	F0-1482000	8031355	17'	\$53.39	F0-7373000
8031320	9'	\$41.99	F0-9392000	8031360	18'	\$54.89	F0-2483000
8031325	10'	\$43.39	F0-7303000	8031365	19'	\$56.29	F0-0493000
8031325	11'	\$44.79	F0-5313000	8031370	20'	\$57.79	F0-5404000
8031330	12'	\$46.29	F0-0423000	8031375	22'	\$60.59	F0-1424000
8031335	13'	\$47.69	F0-8333000	8031380	24'	\$63.49	F0-4444000
8031340	14'	\$49.09	F0-6343000	8031385	26'	\$66.39	F0-7464000
8031345	15'	\$50.59	F0-1453000	8031390	28'	\$69.29	F0-0584000
8031350	16'	\$51.99	F0-9363000	8031395	30'	\$72.19	F0-3505000

Dometic Mercury/Mercruiser Generation II Control Cables



- Drop-in replacement cables are engineered as replacements for original equipment cables. Cables use the existing connection components.
- Stainless steel and brass fittings.
- **CC189 (Gen II Type) Mariner/Mercury/Mercruiser and other engines using Mercury (2003 - Date) 4000 Series Controls.**

STANDARD REPLACEMENT CONTROL CABLES

- Suitable for most applications with short, simple cable routings.
- Uses stainless steel Lubri-Core core wire for smooth operation and long life (8" minimum bend radius).

Order No.	Length	List Price	Order No.	Length	List Price
647610	10'	\$40.29	8020387	17'	\$44.99
8020381	11'	\$40.99	647618	18'	\$45.69
647612	12'	\$41.59	8020389	19'	\$46.29
8020383	13'	\$42.29	647620	20'	\$46.99
647614	14'	\$42.99	647622	22'	\$59.69
8020385	15'	\$43.69	647624	24'	\$64.49
647616	16'	\$44.29			

XTREME REPLACEMENT CONTROL CABLES

- Can be used in any boat.
- They are by far the best choice for long runs, twin stations or other difficult routings with multiple cable bends.
- Have a heavy jacket and the Xtreme splined, coated core element for maximum smoothness with minimal lost motion (4" minimum bend radius).

Order No.	Length	List Price	Order No.	Length	List Price
495250	6'	\$38.49	495270	16'	\$50.09
495252	7'	\$41.49	495272	17'	\$52.79
495254	8'	\$41.59	495274	18'	\$54.09
8020429	9'	\$42.99	495276	19'	\$55.39
495258	10'	\$44.29	495278	20'	\$55.29
495260	11'	\$45.59	495282	22'	\$59.29
495262	12'	\$46.29	495286	24'	\$61.99
495264	13'	\$47.59	647626	26'	\$63.39
495266	14'	\$48.89	495294	28'	\$71.89
495268	15'	\$50.19	647630	30'	\$73.79

Uflex MACH5 Mercury Generation I Control Cables



- For Mercury, Mercruiser and Mariner over 50 HP.
- High efficiency for smooth operation. High flexibility for reduced bend radius.
- Ideal for long complex cable routings.
- Maintenance free. Stainless steel cables end fittings.
- High resistance blue outer jacket against abrasion, UV and chemicals.

Order No.	Length	List Price	Order No.	Length	List Price
8031400	8'	\$40.59	8031445	17'	\$53.39
8031405	9'	\$41.99	8031450	18'	\$54.89
8031410	10'	\$43.39	8031455	19'	\$56.29
8031415	11'	\$44.79	8031460	20'	\$57.79
8031420	12'	\$46.29	8031465	22'	\$60.59
8031425	13'	\$47.69	8031470	24'	\$63.49
8031430	14'	\$49.09	8031475	26'	\$66.39
8031435	15'	\$50.59	8031480	28'	\$69.29
8031440	16'	\$51.99	8031485	30'	\$72.19

Dometic Mercury/Mercruiser Control Cables - 600A Series



- Drop-in replacement cables are engineered as replacements for original equipment cables. Cables use the existing connection components.
- Stainless steel and brass fittings.
- **CC179 - (600A Type) Mariner/Mercury/Mercruiser (1965 - Date); Force (1993 - Date) with Mercury controls. All Mariner engines with Mercury/Mariner controls (except pre-1993 40 HP and lower models). All 1993 - date Force (US Marine) with Force/US Marine/Mercury Controls.**

STANDARD REPLACEMENT CONTROL CABLES

- Suitable for most applications with short, simple cable routings.
- Uses stainless steel Lubri-Core core wire for smooth operation and long life (8" minimum bend radius).

Order No.	Length	List Price	Order No.	Length	List Price
648684	10'	\$33.79	648759	17'	\$42.49
648696	11'	\$34.99	648761	18'	\$43.39
648709	12'	\$36.39	648773	19'	\$44.69
648711	13'	\$37.69	648785	20'	\$45.59
648723	14'	\$38.99	648797	22'	\$56.69
648735	15'	\$40.19	648800	24'	\$59.79
648747	16'	\$41.29			

XTREME REPLACEMENT CONTROL CABLES

- Can be used in any boat.
- They are by far the best choice for long runs, twin stations or other difficult routings with multiple cable bends.
- Have a heavy jacket and the Xtreme splined, coated core element for maximum smoothness with minimal lost motion (4" minimum bend radius).

Order No.	Length	List Price	Order No.	Length	List Price
495110	6'	\$38.99	4951595	15'	\$47.39
495122	7'	\$38.69	495184	16'	\$48.59
495152	8'	\$39.99	4951600	17'	\$49.89
495153	9'	\$41.29	495196	18'	\$51.09
495158	10'	\$41.19	495209	20'	\$53.59
4951585	11'	\$42.49	495212	22'	\$57.79
495160	12'	\$43.69	495223	24'	\$60.29
4951590	13'	\$44.89	495235	26'	\$63.39
495172	14'	\$46.19	495247	30'	\$73.79

Dometic Mariner Control Cables - 630 Series



- Drop-in replacement cables are engineered as replacements for original equipment cables. Cables use the existing connection components.
- Stainless steel and brass fittings.
- **CC210 (630 Type) Mariner (Pre-1993 40 HP and Less) with Mariner/Mercury Controls.**

STANDARD REPLACEMENT CONTROL CABLES

- Suitable for most applications with short, simple cable routings.
- Uses stainless steel Lubri-Core core wire for smooth operation and long life (8" minimum bend radius).

Order No.	Length	List Price	Order No.	Length	List Price
650724	10'	\$47.49	650730	16'	\$56.39
8020404	11'	\$50.09	8020410	17'	\$57.59
650726	12'	\$51.19	650732	18'	\$58.99
8020406	13'	\$53.39	650734	20'	\$62.59
650728	14'	\$53.79	650736	22'	\$68.29
8020408	15'	\$55.19			

- Electronics
- Trolling Motors
- Instruments
- Electrical
- Lighting
- Anchor & Dock
- Safety
- Steering, Controls
- Pumps
- Fuel System
- Seating & Pedestals
- Trailering
- Tops & Covers
- Perform.
- Propellers
- Engine & Care
- Cleaning & Care
- Paint & Paint Acc.
- Fun & Flotation
- Topside Acc.
- Cockpit & Deck
- Hardware, Fasteners
- Camouflage
- Misc.
- Comm.

Dometic Universal 3300/33C Control Cables



- Cables can use the existing connection components.
- Stainless steel and brass fittings.

CC230 - 3300 CABLE (STANDARD) STAINLESS FITTINGS

- Standard cables use stainless steel Lubri-Core core wire for smooth operation and long life (8" minimum bend radius).
- Cables have a 10-32 threaded terminal and a clamp-type fitting at each end. 3" nominal travel.

Order No.	Length	List Price	Order No.	Length	List Price
647783	10'	\$36.89	647858	17'	\$41.69
647795	11'	\$37.09	647860	18'	\$42.59
647808	12'	\$37.29	647872	19'	\$44.69
647810	13'	\$38.39	647884	20'	\$44.39
647822	14'	\$39.19	647896	22'	\$47.39
647834	15'	\$40.09	647909	24'	\$50.29

CC232 - 33C CABLE (MIDRANGE) RED CONDUIT

- Midrange cables use a heavier jacket and a stainless steel Lubri-Core (8" minimum bend radius Lubri-Core construction).
- Cables has a 10-32 threaded terminal and a clamp-type fitting at each end. 3" nominal travel.

Order No.	Length	List Price	Order No.	Length	List Price
492568	10'	\$40.59	492630	17'	\$49.09
492571	11'	\$41.79	492643	18'	\$50.39
492584	12'	\$42.99	492656	19'	\$51.49
492597	13'	\$44.19	492669	20'	\$52.79
492601	14'	\$46.69	492672	22'	\$55.19
492614	15'	\$46.69	492685	24'	\$57.69

CCX633 - 3300 CABLE (PREMIUM) STAINLESS FITTINGS

- Premium 3300/33C cables have a heavy jacket and the Xtreme splined, coated core element for maximum smoothness with minimal lost motion (4" minimum bend radius).
- Cables have a 10-32 threaded terminal and a clamp-type fitting at each end. 3" nominal travel.

Order No.	Length	List Price	Order No.	Length	List Price
649093	4'	\$35.89	649124	24'	\$57.69
649094	5'	\$35.89	649125	25'	\$61.99
649096	6'	\$35.89	649126	26'	\$63.99
649098	7'	\$36.89	649136	28'	\$67.89
649101	8'	\$38.19	649138	30'	\$71.89
649103	9'	\$39.39	649141	32'	\$89.19
649105	10'	\$40.59	649145	34'	\$99.79
649106	11'	\$41.79	649149	36'	\$110.59
649109	12'	\$42.99	649150	38'	\$121.19
649110	13'	\$44.19	649154	40'	\$131.89
649112	14'	\$45.39	649157	42'	\$142.59
649113	15'	\$46.69	649162	44'	\$157.39
649116	16'	\$47.89	649166	46'	\$163.89
649117	17'	\$49.09	649169	48'	\$179.39
649118	18'	\$50.39	649173	50'	\$185.29
4951630	19'	\$51.49	649184	52'	\$200.29
649120	20'	\$52.79	649191	56'	\$214.29
649122	22'	\$55.19	649199	60'	\$233.59
649123	23'	\$56.39			

Uflex MACHZero Control Cables



- MACHZero (3300 style).
- High efficiency for smooth operation.
- High flexibility for reduced bend radius.
- Ideal for long complex cable routings. Maintenance free.
- Stainless steel cables end fittings.
- High resistance blue outer jacket against abrasion, UV and chemicals.
- Stroke: 3.4". 10-32 thread.

Order No.	Length	List Price	Order No.	Length	List Price
8031050	8'	\$32.79	8031110	20'	\$55.59
8031055	9'	\$34.69	8031115	21'	\$57.49
8031060	10'	\$36.49	8031120	22'	\$59.39
8031065	11'	\$38.49	8031130	24'	\$63.19
8031070	12'	\$40.39	8031140	26'	\$66.99
8031075	13'	\$42.29	8031150	28'	\$70.79
8031080	14'	\$44.19	8031160	30'	\$74.59
8031085	15'	\$46.09	8031165	32'	\$92.99
8031090	16'	\$47.99	8031170	34'	\$98.09
8031095	17'	\$49.89	8031175	36'	\$103.29
8031100	18'	\$51.79	8031180	38'	\$108.49
8031105	19'	\$53.69	8031185	40'	\$119.09

Uflex C8 Standard Control Cables



- High efficiency for smooth operation.
- High flexibility for reduced bend radius.
- Ideal for long complex cable routings.
- Maintenance free.
- Stainless steel cables end fittings.
- Stroke: 3.4". 10-32 thread (like C8 & 3300)

Order No.	Length	List Price	Order No.	Length	List Price
8031200	4'	\$31.59	8031255	15'	\$38.59
8031205	5'	\$31.59	8031260	16'	\$39.39
8031210	6'	\$31.59	8031265	17'	\$40.19
8031215	7'	\$32.39	8031270	18'	\$40.99
8031220	8'	\$33.19	8031275	19'	\$41.69
8031225	9'	\$33.99	8031280	20'	\$42.59
8031230	10'	\$34.69	8031285	22'	\$43.99
8031235	11'	\$35.49	8031290	24'	\$45.49
8031240	12'	\$36.29	8031295	26'	\$46.89
8031245	13'	\$36.99	8031300	28'	\$48.39
8031250	14'	\$37.89	8031305	30'	\$49.79

Dometic Universal XTREME 4300/43 Control Cables



- Cables have stainless steel conduit fittings.
- 5" minimum bend radius.

CCX433 - 4300 CABLE (PREMIUM)

- Cables have a 1/4-28 threaded terminal and a clamp-type fitting at each end. 3" nominal travel.

Order No.	Length	List Price	Order No.	Length	List Price
648848	6'	\$79.69	648975	32'	\$131.89
648850	8'	\$83.79	648989	34'	\$135.89
648862	10'	\$88.99	648999	36'	\$139.89
648874	12'	\$91.79	649004	38'	\$143.89
648888	14'	\$95.79	649016	40'	\$147.99
648898	16'	\$99.79	649029	42'	\$151.99
648901	18'	\$103.79	649030	44'	\$155.99
648913	20'	\$107.79	649043	46'	\$159.99
648926	22'	\$113.39	649054	48'	\$166.29
648937	24'	\$115.89	649067	50'	\$167.99
648948	26'	\$119.79	649078	52'	\$171.39
648951	28'	\$120.59	649081	56'	\$195.99
648962	30'	\$127.99	649092	60'	\$209.69

Dometic 33LV Vernier Control Cables



- Great for throttles or other applications where precise control is desired.
- Push the button for fast easy setting of approximate position, then turn the knob for micro adjustment.
- Positive, adjustable brake maintains settings regardless of vibration or governor back pressure.
- HDPE outer casing for durability and best resistance to UV and chemicals.
- Cable only (Fig. 307141-000), order head below (Fig. 307941-003).

Order No.	Mfg. No. / Description	List Price
494006	(CC34505) Length 5' 33LV Cable Only	\$46.89
494030	(CC34510) Length 10' 33LV Cable Only	\$55.09
494056	(CC34520) Length 20' 33LV Cable Only	\$85.79

ORDER ONE HEAD FOR EACH CABLE ORDERED FOR NEW APPLICATION

Order No.	Mfg. No. / Description	List Price
493992	(317310) Head Only	\$75.19

Uflex C22 Standard Control Cables



- C22 Universal Engine Control Cable (4300 style).
- Stainless steel clamp fittings.
- Recommended for heavy duty applications.
- Stroke: 3.1".
- 1/4-28 thread.

Order No.	Length	List Price	Order No.	Length	List Price
8020112	12'	\$91.39	8020138	38'	\$144.69
8020114	14'	\$95.09	8020140	40'	\$150.59
8020116	16'	\$98.89	8020142	42'	\$155.69
8020120	20'	\$106.39	8020144	44'	\$159.79
8020122	22'	\$110.09	8020146	46'	\$162.99
8020124	24'	\$113.79	8020148	48'	\$165.39
8020126	26'	\$117.59	8020150	50'	\$166.89
8020128	28'	\$121.39	8020156	56'	\$187.99
8020132	32'	\$121.69	8020160	60'	\$205.69

Dometic Cable Fittings for 33C Series



Order No.	Mfg. No. / Description	List Price
491150	(032010) Cable Clamp (2 Holes)	\$4.89
494067	(047641) Stop Pivot, 1/4"	\$25.09
494081	(037664) Conduit Clamp	\$7.99
491148	(CA28020P) Cable Clamp and Shim Kit	\$10.59
494079	(037693) Stop Collar	\$13.09

Dometic Conduit Fitting Kit



- Use these to mount utility cables to mount in either bulkhead or clamp type applications.

Order No.	Mfg. No. / Description	List Price
490755	(300673) Bulkhead Adapter Kit	\$44.29
494079	(037693) Stop Collar	\$13.09

- Electronics
- Trolling Motors
- Instruments
- Electrical
- Lighting
- Anchor & Dock
- Safety

Steering, Controls

- Pumps
- Fuel System
- Seating & Pedestals
- Trailer
- Tops & Covers
- Perform.
- Propellers
- Engine & Care
- Cleaning & Care

Paint & Paint Acc.

- Fun & Flotation
- Topside Acc.
- Cockpit & Deck
- Hardware, Fasteners
- Camouflage
- Misc.
- Comm.

Dometic Engine Connection Kits



649256



649244



649232



491720



8020349

- These kits provide control cable connection hardware, either for cable to engine/transmission or for cable to control unit.

ENGINE-SPECIFIC CONNECTION KIT FOR OEM CABLES

- For 1973-1978 OMC OEM ("400" type) cables with bare wire ends.
- Note: Included clip is not used on sterndrives.

Order No.	Mfg. No. / Description	List Price	
649220	(CA27208P) E/J O/B Kit (35 HP and Less)	\$24.79	F0-5371000
649232	(CA27247P) E/J O/B Kit (Over 35 HP), OMC Sterndrive (All)	\$24.79	F0-5371000

ENGINE-SPECIFIC CONNECTION KITS FOR 3300/33C CABLES

Order No.	Mfg. No. / Description	List Price	
649244	(CA27320P) E/J O/B Kit (1979-Date), OMC Sterndrive (All)	\$23.59	F0-1561000
649256	(CA27321P) E/J O/B Kit (Pre 1979)	\$33.89	F0-2732000
491720	(CA27319P) Mercury O/B Kit (1965-Date), Mercury Sterndrive (All)	\$25.09	F0-6571000
8020349	(CA27373P) Mercury Inboard Kit (All)	\$26.19	F0-3381000

Dometic Pre-Engineered Clutch & Throttle Kits - By Transmission



Mfg. No. 036680



Mfg. No. 300665



Dometic Pre-Engineered Clutch & Throttle Kits - By Engine Application



Mfg. No. 036680



Mfg. No. 300665



	For Dual Station 3300/33C Cables	For Dual Station 4300/43C Cables	To Convert from 3300/33C Dual Station to 4300/43C Dual Station, Add:
--	----------------------------------	----------------------------------	--

		For Dual Station 3300/33C Cables	For Dual Station 4300/43C Cables	To Convert from 3300/33C Dual Station to 4300/43C Dual Station, Add:
BORG-WARNER				
Propellers	70, 71 and 72 Inline with Red Gear	301474	301474	300665
Engine & Care	71C & 72C Drop Center	-	-	300665
CAPITAL				
Cleaning & Care	12400, 2, 3 and 4 HD and HE	036680	036680	040773
PARAGON				
Fun & Flotation	HF-7	036680	036680	040773
TWIN DISC				
Topside Acc.	MG 508, 509, 510, 510A, 512	042577	-	300665
Cockpit & Deck	514C, 514CHP, 518, 521, 527	042577	-	300665
Hardware, Fasteners	530 and 540	042577	-	300665
	MG502, 506 and 507	-	-	300665

	For Single Station 3300/33C Cables	For Dual Station 4300/43C Cables	To Convert from 3300/33C Dual Station to 4300/43C Dual Station, Add:
--	------------------------------------	----------------------------------	--

	For Single Station 3300/33C Cables	For Dual Station 4300/43C Cables	To Convert from 3300/33C Dual Station to 4300/43C Dual Station, Add:	
CATERPILLAR				
	334, 3304 and 3306	036680	036680	040773
	343, 3406 and 3408	036680	036680	040773
CUMMINS				
	All with MVSGOV	036680	036680	040773
	V, VT, KT, KTA 1975-Up	300580	300580	300665
GENERAL MOTORS				
	3, 4 & 6-71 with Var. Speed Gov.	-	-	300665
	6, 8 & 12 V-71, 6 & 8 V-92 w/Var. Speed Gov.	-	-	300665
	2, 3 and 4-53 with Left and Right Hand Gov.	036680	036680	040773
	GV-53 Rear & Front Entry	036680	036680	040773
	6 and 8V-71 Front Entry Shutdown Kit	036680	036680	040773
UNIVERSAL				
	Atomic 4	036680	036680	040773
	Atomic 1 and 2 63C Clutch and 33C Throttle	036680	036680	040773

THESE CONNECTION KITS ARE SPECIAL ORDER ONLY!

- Electronics
- Trolling Motors
- Instruments
- Electrical
- Lighting
- Anchor & Dock
- Safety
- Steering, Controls
- Pumps
- Fuel System
- Seating & Pedestals
- Trailering
- Tops & Covers
- Perform.
- Propellers
- Engine & Care
- Cleaning & Care
- Paint & Paint Acc.
- Fun & Flotation
- Topside Acc.
- Cockpit & Deck
- Hardware, Fasteners
- Camouflage
- Misc.
- Comm.

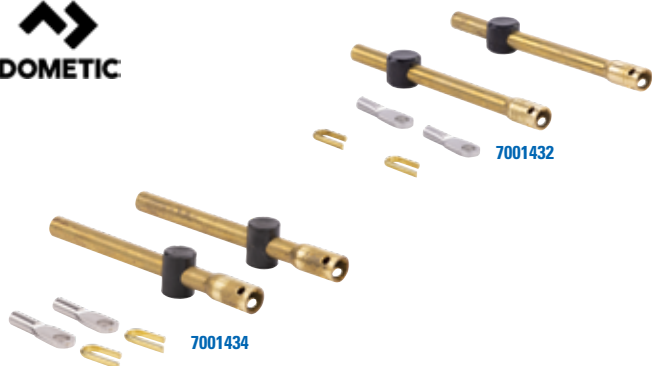
Dometic Outboard and I/O Cable Connection Kits



Mfg. No. 302123

	Kit Number	Cable
CHRYSLER		
1975 and Later	300465	33C (Two Cables)
EVINRUDE/JOHNSON		
55-235 HP, 1978 to date	491706 (301729)	33C (Two Cables)
25 thru 40 HP, Up thru 1985	041652	Type "O" (Two Cables)
	035640	33C (Two Cables)
50 HP & Over, 1973 & Later	068086	Type "O" (Two Cables)
9.9 & 15 HP, 1974 & Later	301543, plus OMC kit also required	33C (Two Cables)
MERCURY		
40-300 HP	301901	33C (Two Cables)
MERCURUISER I/O AND OMC STERNDRIVE		
Mercruiser I/O	302123	33C (Two Cables)
OMC Sterndrive	300557	33C (Two Cables)

Dometic OEM Control-Specific Connection Kits for 3300/33C Cables



7001432

7001434

MERC/MARINER CONTROL ADAPTER - 3300/33C CABLE		
Order No.	Mfg. No. / Description	List Price
7001432	(301074)	\$79.69 F0-8755000
OMC/JOHNSON/EVINRUDE CONTROL ADAPTER - 3300/33C CABLE		
Order No.	Mfg. No. / Description	List Price
7001434	(304939)	\$124.49 F0-4178000

Dometic Cable Adapter Kit



- Use with 33C Cable.
- For Johnson/Evinrude.

Order No.	Mfg. No. / Description	List Price
491706	(301729)	\$35.79 F0-5052000

Dometic Terminal Eye



- Terminal Eye used in the Mercury control adapter kit 301074 & OMC control adapter kit 304939.

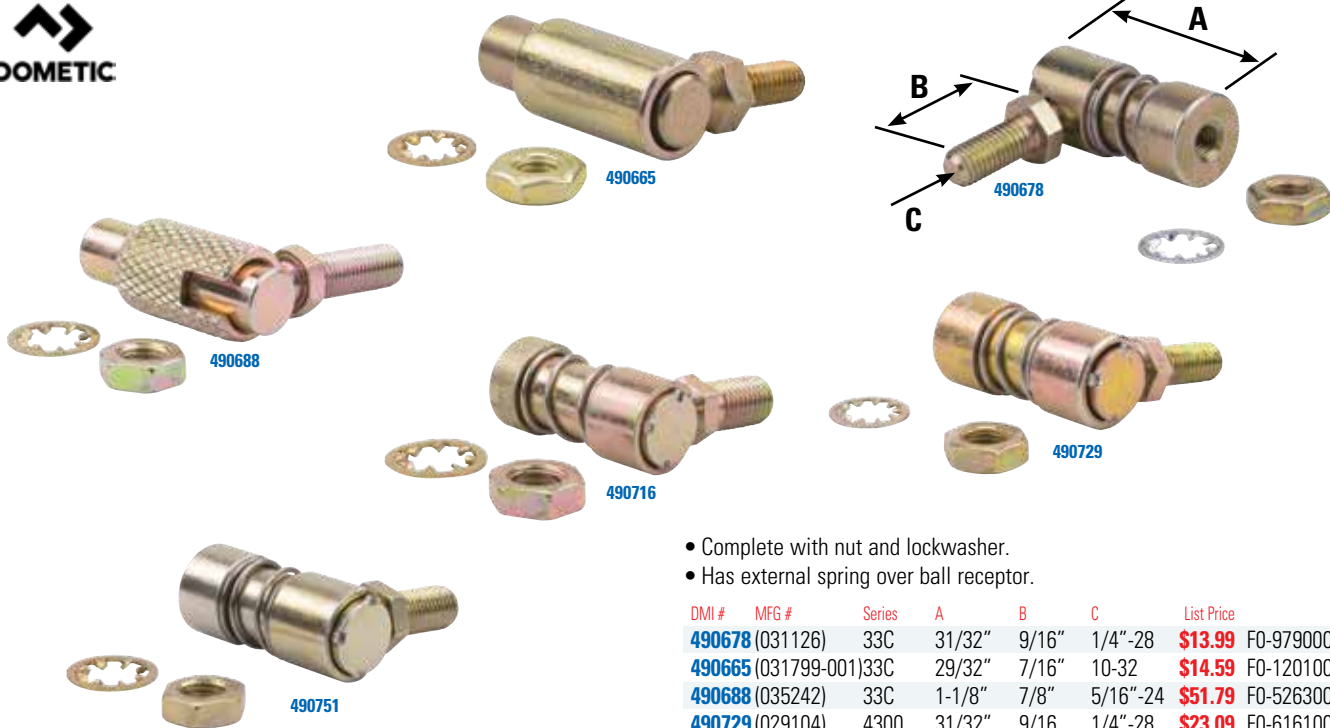
Order No.	Mfg. No. / Description	List Price
490669	(301072)	\$12.69 F0-8880000

- Electronics
- Trolling Motors
- Instruments
- Electrical
- Lighting
- Anchor & Dock
- Safety
- Steering, Controls**
- Pumps
- Fuel System
- Seating & Pedestals
- Trailering
- Tops & Covers
- Perform.
- Propellers
- Engine & Care
- Cleaning & Care
- Paint & Paint Acc.
- Fun & Flotation
- Topside Acc.
- Cockpit & Deck
- Hardware, Fasteners
- Camouflage
- Misc.
- Comm.

THESE CONNECTION KITS ARE SPECIAL ORDER ONLY!

Dometic Control Cable Fittings and Hardware

Dometic Ball Joint Kits - Quick-Release Type



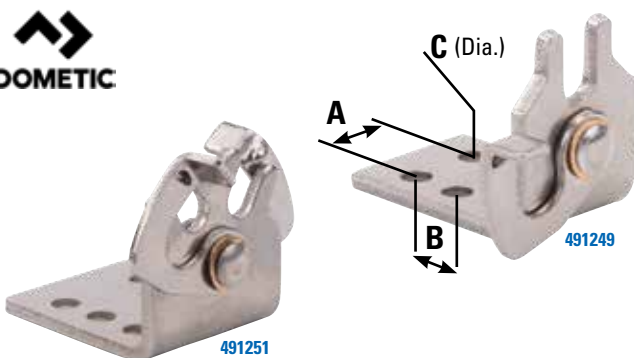
- Complete with nut and lockwasher.
- Has external spring over ball receptor.

DMI #	MFG #	Series	A	B	C	List Price	
490678	(031126)	33C	31/32"	9/16"	1/4"-28	\$13.99	F0-9790000
490665	(031799-001)	33C	29/32"	7/16"	10-32	\$14.59	F0-1201000
490688	(035242)	33C	1-1/8"	7/8"	5/16"-24	\$51.79	F0-5263000
490729	(029104)	4300	31/32"	9/16"	1/4"-28	\$23.09	F0-6161000
490716	(032267)	4300	31/32"	7/8"	5/16"-24	\$25.39	F0-7771000
490751	(029108)	6400	1-1/8"	7/8"	5/16"-24	\$46.89	F0-2823000

- Electronics
- Trolling Motors
- Instruments
- Electrical
- Lighting
- Anchor & Dock
- Safety

Steering, Controls

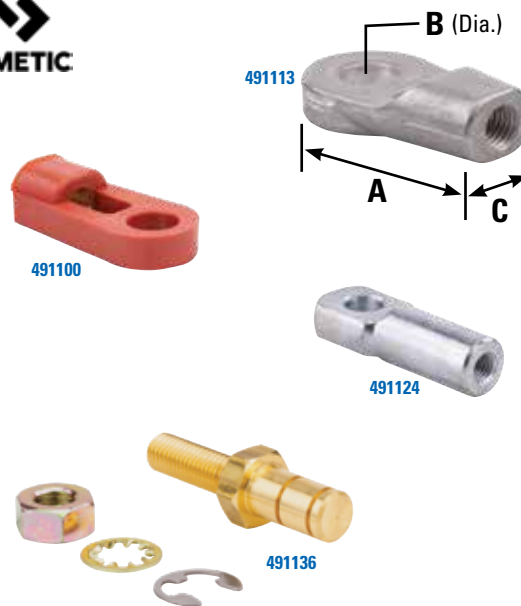
Dometic Cable Hook Clips



DMI #	MFG #	Description	Series	A	B	C	List Price	
491249	(036174)	Single	33C	1/2"	3/8"	13/64"	\$12.59	F0-1880000
491251	(035531)	Dual	33C	3/4"	3/8"	13/64"	\$33.39	F0-7332000

- Pumps
- Fuel System
- Seating & Pedestals
- Trailering
- Tops & Covers
- Perform.
- Propellers
- Engine & Care
- Cleaning & Care
- Paint & Paint Acc.
- Fun & Flotation
- Topside Acc.
- Cockpit & Deck
- Hardware, Fasteners
- Camouflage
- Misc.
- Comm.

Dometic Terminal Eyes



DMI #	MFG #	Description	Series	A	B	C	List Price	
491100	(300646)	Red Nylon	33C	1"	5/16"	1/2"	\$4.99	F0-9430000
491113	(037639)	Aluminum	4300	1"	5/16"	1/2"	\$13.49	F0-4490000
491124	(041134)		4300		5/16"		\$19.59	F0-1731000

TERMINAL PIN KIT FOR 6400 SERIES

- Includes: Eye terminal pin (300965), ring, nut and washer.

Order No.	Mfg. No. / Description	List Price	
491136	(301456)	\$16.29	F0-0411000

Dometic Control Cable Fittings and Hardware

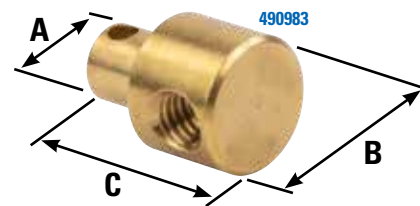
Dometic Pivots



491011



490994



490983



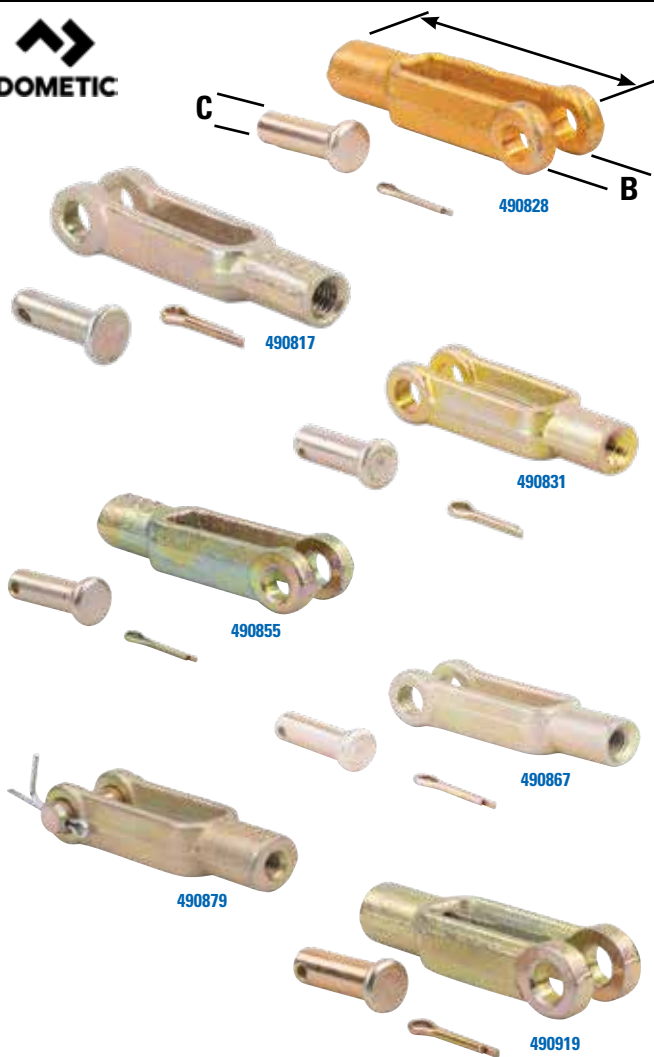
491047



491036

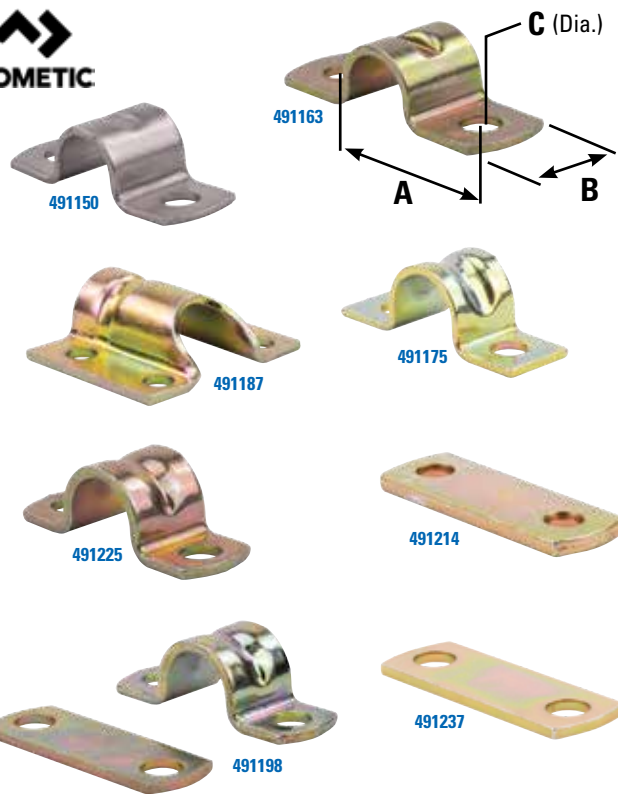
DMI #	MFG #	Series	A	B	C	List Price	
490983	(031029)	33C	1/4"	7/16"	5/8"	\$11.49	F0-4080000
490994	(031539)	33C	1/4"	7/16"	23/32"	\$13.29	F0-0390000
491011	(039890)	33C	1/4"	7/16"	15/16"	\$20.69	F0-8441000
491047	(031537)	4300	1/4"	1/2"	7/8"	\$14.69	F0-8201000
491036	(039110)	4300	1/4"	7/16"	3/4"	\$13.79	F0-5690000

Dometic Clevis Kits



DMI #	MFG #	Series	A	B	C	List Price	
490828	(031125)	33C	2"	9/32"	1/4"	\$16.29	F0-0411000
490817	(031800)	33C	1-9/16"	3/16"	3/16"	\$16.29	F0-0411000
490831	(033395)	33C			5/16"	\$18.59	F0-1031000
490855	(029025)	4300	2"	9/32"	1/4"	\$18.89	F0-2231000
490867	(042212)	4300			5/16"	\$21.19	F0-3841000
490879	(045985)	4300			3/8"	\$37.99	F0-9562000
490919	(029132-001)	6400	2-1/4"	11/32"	5/16"	\$20.19	F0-3141000
490932	(042034)	6400	2-1/2"	7/16"	3/8"	\$37.89	F0-2562000

Dometic Cable Clamps and Shims



CABLE CLAMP

DMI #	MFG #	Description	Series	A	B	C	List Price	
491163	(031509)	2 Holes	33C	1"	1/2"	12/64"	\$1.69	F0-8110000
491150	(032010)	2 Holes	33C	7/8"	1/2"	3/16"	\$4.89	F0-2430000
491175	(031532)	2 Holes	4300	1"	1/2"	7/32"	\$2.59	F0-1810000
491187	(021227)	4 Holes	4300	1"	1-1/4"	3/4"	\$14.69	F0-8201000
491225	(036733)	2 Holes	6400				\$3.69	F0-8520000

SHIM FOR 491163 (031509) AND 491175 (031532)

DMI #	MFG #	Description	Series	A	B	C	List Price	
491214	(031538)	2 Holes		1"	1/2"	13/64"	\$1.49	F0-4010000

SHIM FOR 491225 (036733)

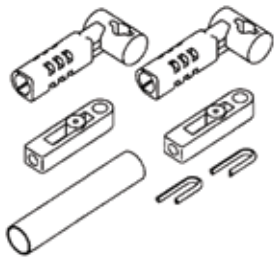
DMI #	MFG #	Description	Series	A	B	C	List Price	
491237	(037884)	2 Holes	6400				\$5.49	F0-4830000

CABLE CLAMP AND SHIM

DMI #	MFG #	Description	Series	A	B	C	List Price	
491198	(037885)		6400	1-1/4"	3/4"	9/32"	\$9.59	F0-1760000

- Electronics
- Trolling Motors
- Instruments
- Electrical
- Lighting
- Anchor & Dock
- Safety
- Steering, Controls
- Pumps
- Fuel System
- Seating & Pedestals
- Trailering
- Tops & Covers
- Perform.
- Propellers
- Engine & Care
- Cleaning & Care
- Paint & Paint Acc.
- Fun & Flotation
- Topside Acc.
- Cockpit & Deck
- Hardware, Fasteners
- Camouflage
- Misc.
- Comm.

Uflex Engine Control Accessories



- Adapts C2, C8, MACHZero and all 33C style cables for use with Mercury engines.

Order No.	Description	List Price
8030000	(K56)	\$25.79

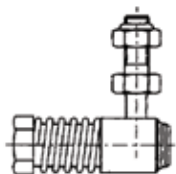
Uflex Cable End Fitting



- Fits C2, C8, MACHZero and all 33C style cables.

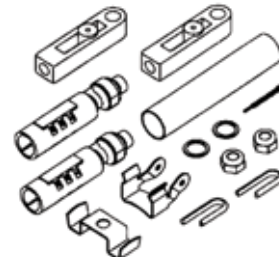
Order No.	Description	List Price
2006865	(L12)	\$11.49

Uflex Ball Joint



- Ball joint 10-32 UNF.
- Stainless steel.
- Fits C2, C8, MACHZero and all 33C style cables.

Order No.	Description	List Price
7001594	(L7)	\$19.69



- Adapts C2, C8, MACHZero and all 33C style cables for use with BRP - Evinrude engines.

Order No.	Description	List Price
8030005	(K57)	\$24.39

Uflex Clevis



FITS C2, C8, MACHZERO AND ALL 33C STYLE CABLES

- 10-32 UNF.

Order No.	Description	List Price
2006870	(L25)	\$21.39

FITS C22 AND 4300 SERIES CABLES

- 1/4" x 28 threaded.

Order No.	Description	List Price
2006875	(L26)	\$21.39

Control Box Counter Lever



- OMC 390610, 397272.

Order No.	Description	List Price
2100024	(EUJ)	\$79.39

- Electronics
- Trolling Motors
- Instruments
- Electrical
- Lighting
- Anchor & Dock
- Safety
- Steering, Controls
- Pumps
- Fuel System
- Seating & Pedestals
- Trailering
- Tops & Covers
- Perform.
- Propellers
- Engine & Care
- Cleaning & Care
- Paint & Paint Acc.
- Fun & Flotation
- Topside Acc.
- Cockpit & Deck
- Hardware, Fasteners
- Camouflage
- Misc.
- Comm.