

OCR10-M78501EN

Introduction

1. This parts catalog for 24 volt specification of 6LY3-ETP, 6LY3-STP, 6LY3-UTP, 6LY3-STC, 6LY3-UTC is published as a revised edition.

	Date of issue	Remarks
First edition	Mar., 2009	No need
1st revised edition	June, 2017	

2. Standard finish color. Yanmar ecole silver metallic
Parts No. 977620-40071 4L (Packed in a can)
Parts No. TOR-94800250 Spray (1 piece)

3. This parts catalog does not contain the technical data needed for maintenance service.

4. The illustrations used in this parts catalog have been simplified for clarity.

5. The contents of this parts catalog are subject to change without notice.

6. Be sure to use only Yanmar genuine parts for repairs. If imitation parts are used, it may cause engine defects.

Contents

OCR10-M78501

Fig. No. Fig. Name
6LY3-ETP,STP,UTP,STC,UTC 24V

1. CYLINDER BLOCK
2. GEAR HOUSING
3. FLYWHEEL HOUSING
4. OIL SUMP
5. MOUNTING FOOT
6. LABEL
7. CYLINDER HEAD
8. BONNET & BREATHER
45. (8A)BREATHER(SOLAS)
9. SUCTION MANIFOLD
10. EXHAUST BEND & MIXING ELBOW(OPTIONAL)
11. MIXING ELBOW(KMH61V)(OPTIONAL)
12. TURBINE
13. INTER COOLER
14. CAMSHAFT & DRIVING GEAR
15. CRANKSHAFT & FLYWHEEL
16. PISTON & CONNECTING ROD
17. LUB. OIL COOLER & FILTER
18. LUB. OIL PUMP & PIPE
19. LUB. OIL PIPE(TURBINE)
20. OIL SUCTION/DRAIN PUMP(OPTIONAL)
21. COOLING PUMP(SEA WATER)
22. COOLING PUMP(FRESH WATER)
23. COOLER(FRESH WATER)

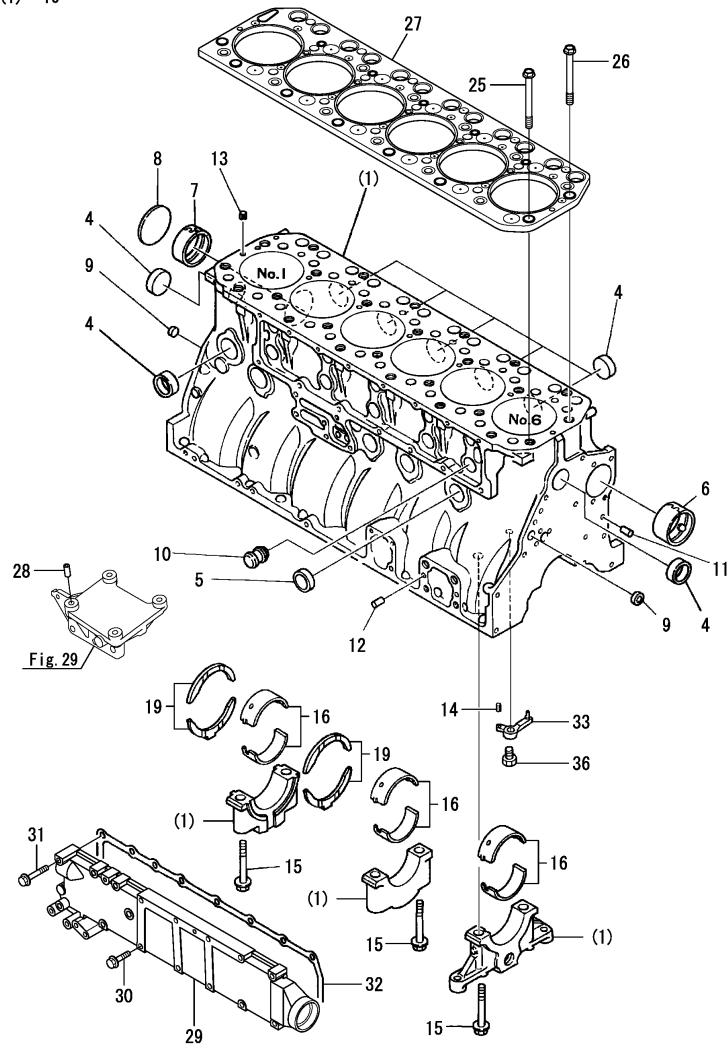
- Fig. No. Fig. Name
24. COOLING PIPE(SEA WATER)
 25. COOLING PIPE(FRESH WATER)
 26. BILGE PUMP(OPTIONAL)
 27. FUEL INJECTION PUMP & GOVERNOR
 28. FUEL FEED PUMP & TIMER
 29. BRACKET(FUEL INJECTION PUMP)
 30. FUEL INJECTION VALVE
 31. FUEL INJECTION PIPE
 32. FUEL PIPE
 33. FUEL FILTER
 34. WATER SEPARATOR(OPTIONAL)
 35. STARTER MOTOR
 36. GENERATOR
 46. (36A)INTERNAL HARNESS(ZF CLUTCH)
 37. WIRE HARNESS & SENSOR
 47. (37A)SENSOR(SOLAS)
 38. VDO GAUGE(OPTIONAL)
 39. RELAY
 40. CONTROLLER
 41. POWER OFF TIMER
 42. CLUTCH
 43. TOOL(OPTIONAL)
 44. ELECTRONIC CONTROL UNIT(ECU)

Fig.1. CYLINDER BLOCK

(A)=6LY3-ETP 24
 (B)=6LY3-STP 24
 (C)=6LY3-UTP 24

(D)=6LY3-STC 24
 (E)=6LY3-UTC 24
 (F)=

1 inc. (1)~19



No.	Lev.	Parts No.	Description	Q'ty						I	R
				(A)	(B)	(C)	(D)	(E)	(F)		
1	1	719578-01560	BLOCK ASSY, CYLINDER	1	1	1	1	1			
4	3	119885-01990	PLUG, 40	8	8	8	8	8			
5	3	119285-11990	PLUG, CUP TYPE 35	4	4	4	4	4			
6	3	119000-02410	BUSH, CAMSHAFT	1	1	1	1	1			
7	3	119593-02420	BUSH, CAMSHAFT	3	3	3	3	3			
8	3	27231-650000	PLUG, 65	1	1	1	1	1			
9	3	27241-160000	PLUG, 16	2	2	2	2	2			
10	2	119000-01840	PLUG, RUBBER	5	5	5	5	5			
11	2	129100-01580	PIN, PARALLEL 8X16	2	2	2	2	2			
12	2	129100-01580	PIN, PARALLEL 8X16	8	8	8	8	8			
13	2	22351-080016	PIN, SPRING 8.0X16	2	2	2	2	2			
14	2	22351-040010	PIN, SPRING 4.0X10	6	6	6	6	6			
15	2	119593-02070	BOLT, METAL CAP	14	14	14	14	14			
16	2	719593-02800	BEARING, MAIN	7	7	7	7	7		1	
19	2	719593-02590	BEARING, THRUST	2	2	2	2	2		1	
25	1	119578-01200	BOLT, HEAD	13	13	13	13	13			
26	1	119578-01210	BOLT, HEAD	13	13	13	13	13			
27	1	119578-01350	GASKET, HEAD 1.3	1	1	1	1	1			
28	1	124411-28400	PIN	2	2	2	2	2			
29	1	119578-01760	COVER	1	1	1	1	1			
30	1	26106-080352	BOLT, M8X 35 PLATED	9	9	9	9	9			
31	1	26106-080502	BOLT, M8X 50 PLATED	2	2	2	2	2			
32	1	119593-01760	GASKET	1	1	1	1	1			
33	1	119593-39560	NOZZLE ASSY, COOLING	6	6	6	6	6			
36	1	119595-39580	BOLT, PIPE JOINT	6	6	6	6	6			

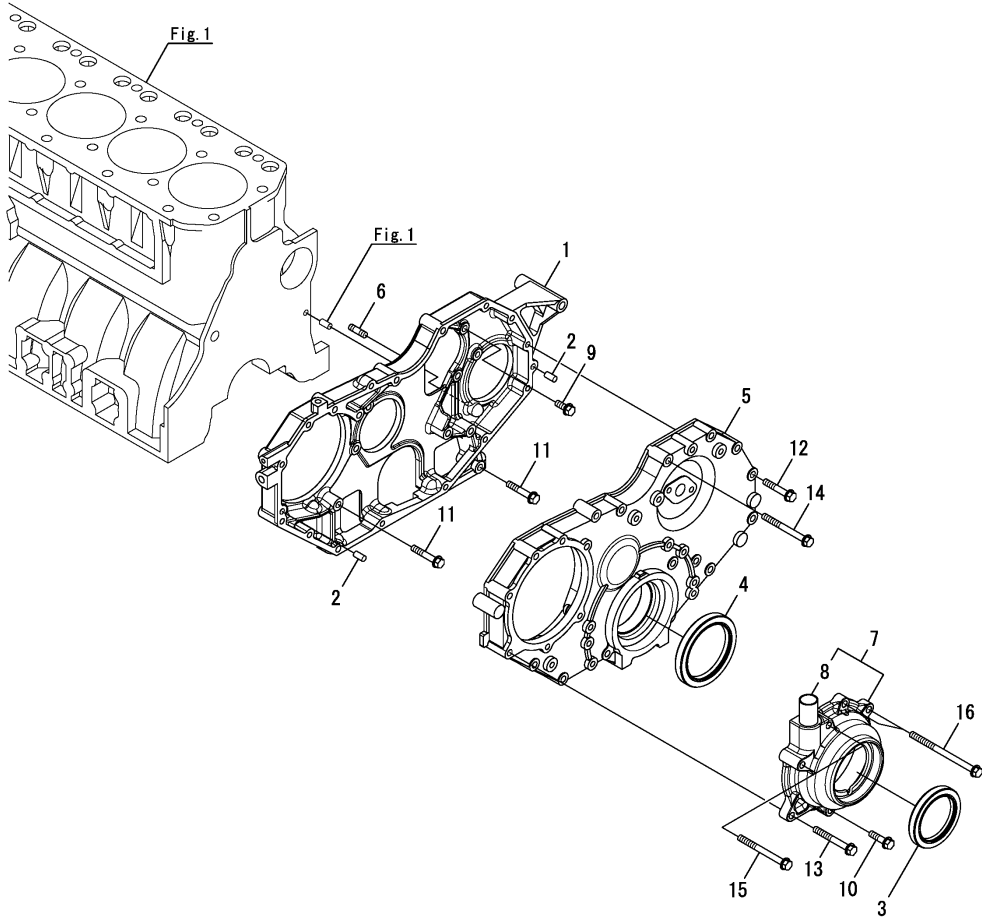
Remarks

(1) Since crankshaft will be distorted if the "R" hardening crankshaft is ground, undersize metal is inapplicable.

Fig.2. GEAR HOUSING

(A)=6LY3-ETP 24
 (B)=6LY3-STP 24
 (C)=6LY3-UTP 24

(D)=6LY3-STC 24
 (E)=6LY3-UTC 24
 (F)=



No.	Lev.	Parts No.	Description	Q'ty						I	R
				(A)	(B)	(C)	(D)	(E)	(F)		
1	1	119578-01500	CASE, GEAR	1	1	1	1	1			
2	1	22312-080160	PIN, PARALLEL M8X16	2	2	2	2	2			
3	1	123900-01780	SEAL, OIL	1	1	1	1	1			
4	1	119595-01800	SEAL, TC8010513	1	1	1	1	1			
5	1	119578-01930	COVER	1	1	1	1	1			
5-1	1	119578-01921	COVER	1	1	1	1	1		R	
		(A=E/#0402)	(B=E/#0409)	(C=E/#0451)	(D=E/#0397)	(E=E/#0413)					
6	1	119717-01570	BOLT, STUD	2	2	2	2	2			
7	1	119578-01940	COVER	1	1	1	1	1			
8	2	119578-03250	JOINT, R3/4	1	1	1	1	1			
9	1	26106-080202	BOLT, M8X 20 PLATED	4	4	4	4	4			
10	1	26106-080302	BOLT, M8X 30 PLATED	2	2	2	2	2			
11	1	26106-080452	BOLT, M8X 45 PLATED	2	2	2	2	2			
12	1	26106-080452	BOLT, M8X 45 PLATED	9	9	9	9	9			
13	1	26106-080652	BOLT, M8X 65 PLATED	1	1	1	1	1			
14	1	26106-080802	BOLT, M8X 80 PLATED	5	5	5	5	5			
15	1	26106-080852	BOLT, M8X 85 PLATED	2	2	2	2	2			
16	1	119172-44310	BOLT	2	2	2	2	2			

Fig.3. FLYWHEEL HOUSING

(A)=6LY3-ETP 24
 (B)=6LY3-STP 24
 (C)=6LY3-UTP 24

(D)=6LY3-STC 24
 (E)=6LY3-UTC 24
 (F)=

No.	Lev.	Parts No.	Description	Q'ty						I	R
				(A)	(B)	(C)	(D)	(E)	(F)		
1	1	119578-01620	HOUSING, FLYWHEEL	1	1	1	1	1			
1-1	1	119578-01600	HOUSING, FLYWHEEL	1	1	1	1	1		R	
		(A=E/#0314)	(B=E/#0316)	(C=E/#0329)	(D=E/#0372)	(E=E/#0413)					
2	1	119575-01750	PLUG, SCREW	1	1	1	1	1			
3	1	124411-01780	SEAL, HTC95X115X12	1	1	1	1	1			
4	1	128371-01800	COCK ASSY, 1/4	1	1	1	1	1			
5	1	26106-100302	BOLT, M10X 30 PLATED	9	9	9	9	9			
6	1	26106-100352	BOLT, M10X 35 PLATED	5	5	5	5	5			
7	1	24311-000140	O-RING, 1AP14.0	1	1	1	1	1			

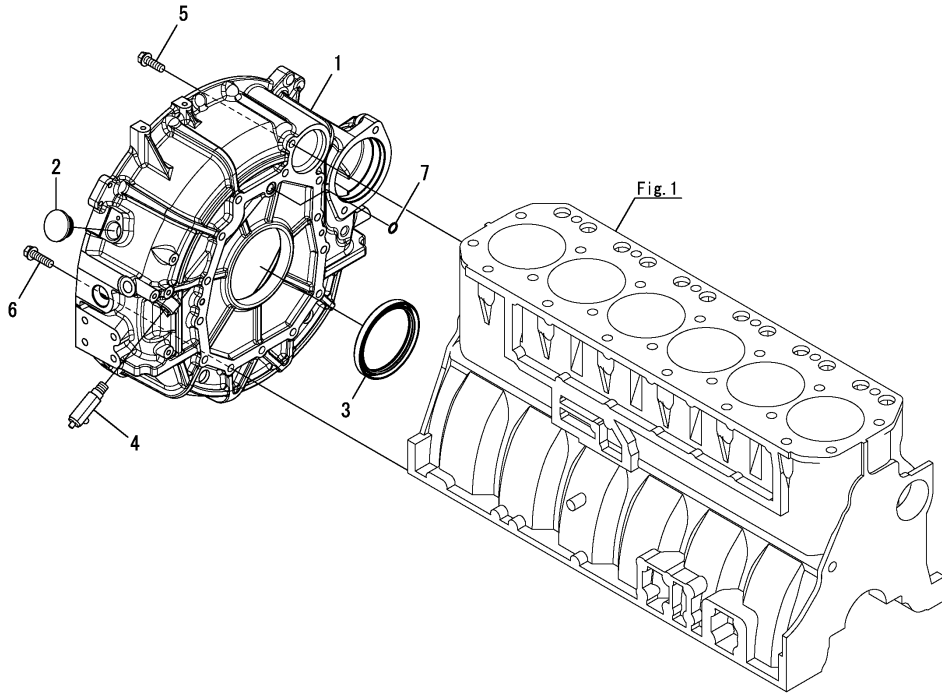
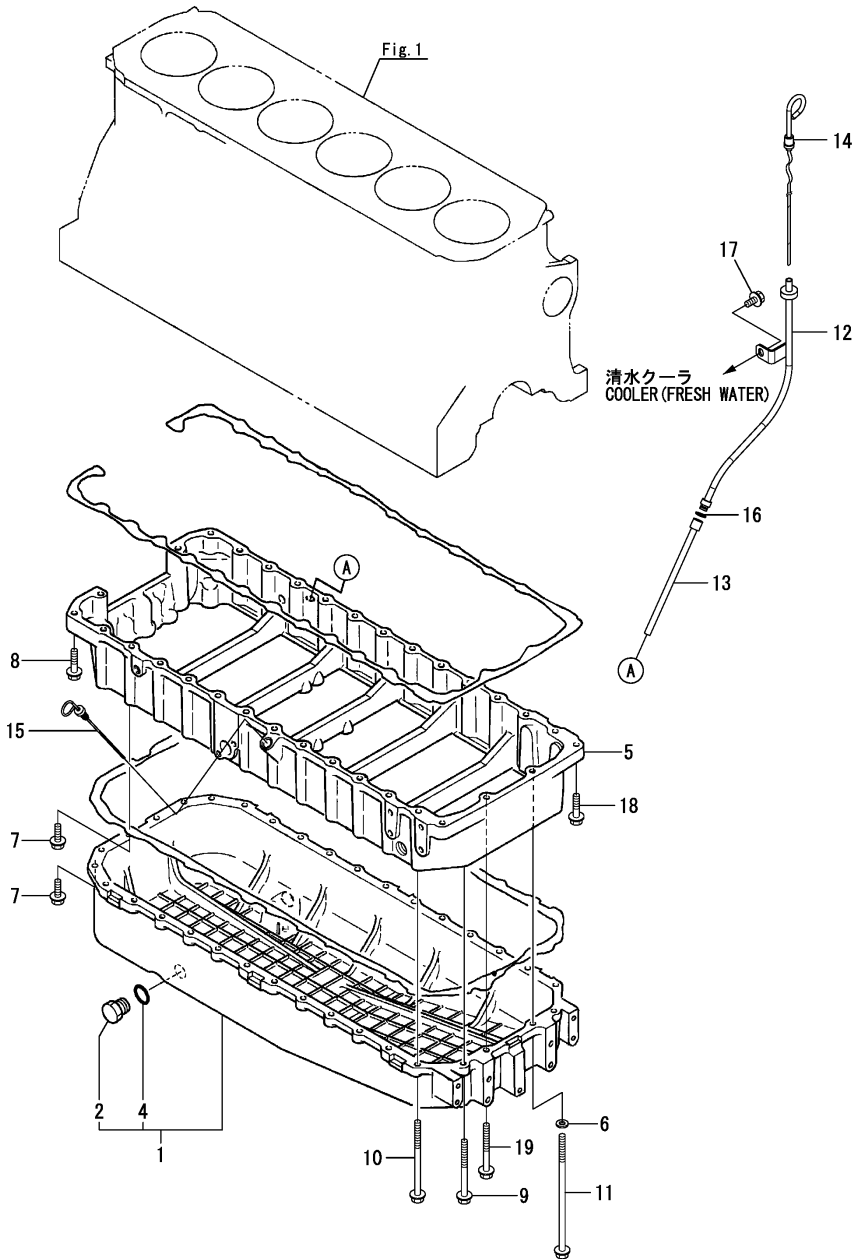


Fig.4. OIL SUMP

(A)=6LY3-ETP 24
 (B)=6LY3-STP 24
 (C)=6LY3-UTP 24

(D)=6LY3-STC 24
 (E)=6LY3-UTC 24
 (F)=

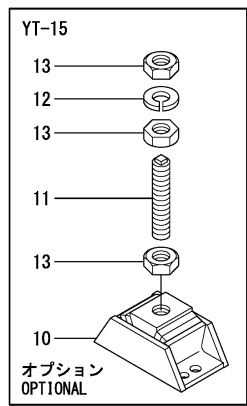
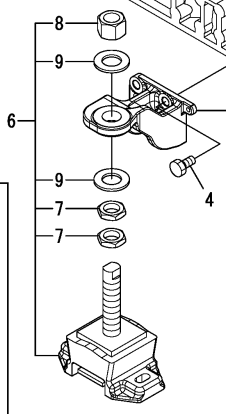
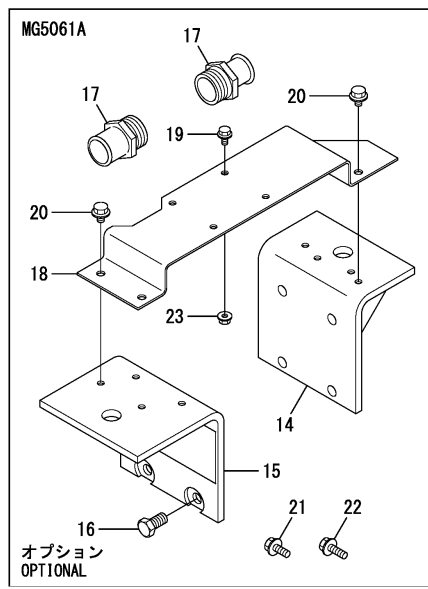
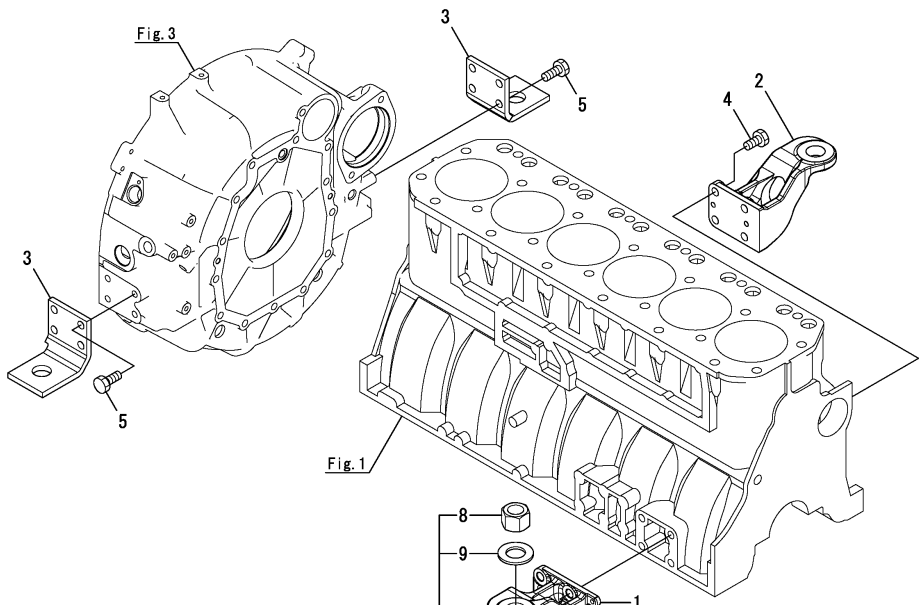


No.	Lev.	Parts No.	Description	Q'ty						I	R
				(A)	(B)	(C)	(D)	(E)	(F)		
1	1	719573-01540	SUMP ASSY, OIL	1	1	1	1	1			
2	2	171301-01640	PLUG, M22	1	1	1	1	1			
4	2	24341-000240	O-RING, 1AS24.0	1	1	1	1	1			
5	1	119593-01732	SPACER	1	1	1	1	1			
6	1	22137-080000	WASHER, 8	2	2	2	2	2			
7	1	26106-080252	BOLT, M8X 25 PLATED	4	4	4	4	4			
8	1	26106-080352	BOLT, M8X 35 PLATED	2	2	2	2	2			
9	1	26106-080902	BOLT, M8X 90 PLATED	1	1	1	1	1			
10	1	26106-081202	BOLT, M8X120 PLATED	26	26	26	26	26			
11	1	119578-33400	BOLT, M8X185	2	2	2	2	2			
12	1	119578-34811	GUIDE, DIPSTICK	1	1	1	1	1			
13	1	119171-34820	GUIDE, DIPSTICK	1	1	1	1	1			
14	1	119578-34860	DIPSTICK, OIL	1	1	1	1	1			
15	1	119578-34870	DIPSTICK, OIL	1	1	1	1	1			
16	1	24341-000100	O-RING, 1AS10.0	1	1	1	1	1			
17	1	26106-080162	BOLT, M8X 16 PLATED	1	1	1	1	1			
18	1	26106-080302	BOLT, M8X 30 PLATED	2	2	2	2	2			
19	1	26106-080752	BOLT, M8X 75 PLATED	1	1	1	1	1			

Fig.5. MOUNTING FOOT

(A)=6LY3-ETP 24
 (B)=6LY3-STP 24
 (C)=6LY3-UTP 24

(D)=6LY3-STC 24
 (E)=6LY3-UTC 24
 (F)=



No.	Lev.	Parts No.	Description	Q'ty						I	R
				(A)	(B)	(C)	(D)	(E)	(F)		
1	1	119574-08202	FOOT, MOUNTING	1	1	1	1	1			
2	1	119574-08212	FOOT, MOUNTING	1	1	1	1	1			
3	1	119574-08231	FOOT, MOUNTING	2	2	2	2	2			
4	1	26116-120252	BOLT, M12X 25 PLATED	8	8	8	8	8			
5	1	26116-120302	BOLT, M12X 30 PLATED	8	8	8	8	8			
6	1	119773-08300	MOUNTING, FLEXIBLE	4	4	4	4	4		1	
7	2	119773-08330	NUT	8	8	8	8	8		1	
8	2	119773-08340	NUT	4	4	4	4	4		1	
9	2	119773-08350	WASHER	8	8	8	8	8		1	
10	1	127495-08320	MOUNT, FLEXIBLE 600	4	4	4	4	4		1	
11	1	119593-08400	BOLT, SQUARE	4	4	4	4	4		1	
12	1	22217-270000	WASHER, SPRING 27	4	4	4	4	4		1	
13	1	26776-270002	NUT, LOCK M27	12	12	12	12	12		1	
14	1	119575-08201	FOOT, MOUNTING	1	1	1	1	1		W 1	
			(D=*2008.12.)			(E=*2008.12.)					
15	1	119575-08211	FOOT, MOUNTING	1	1	1	1	1		W 1	
			(D=*2008.12.)			(E=*2008.12.)					
16	1	119575-08220	BOLT	8	8	8	8	8		W 1	
			(D=*2008.12.)			(E=*2008.12.)					
17	1	119578-49770	JOINT	2	2	2	2	2		W 1	
			(D=*2008.12.)			(E=*2008.12.)					
18	1	119578-85500	BRACKET	1	1	1	1	1		W 1	
			(D=*2008.12.)			(E=*2008.12.)					
19	1	26106-080162	BOLT, M8X 16 PLATED	4	4	4	4	4		W 1	
			(D=*2008.12.)			(E=*2008.12.)					
20	1	26106-100142	BOLT, M10X 14 PLATED	4	4	4	4	4		W 1	
			(D=*2008.12.)			(E=*2008.12.)					
21	1	26106-100252	BOLT, M10X 25 PLATED	12	12	12	12	12		W 1	
			(D=*2008.12.)			(E=*2008.12.)					
22	1	26106-100302	BOLT, M10X 30 PLATED	8	8	8	8	8		W 1	
			(D=*2008.12.)			(E=*2008.12.)					
23	1	26306-080002	NUT, M8	4	4	4	4	4		W 1	
			(D=*2008.12.)			(E=*2008.12.)					

Remarks
 (1)Optional parts.

Fig.6. LABEL

(A)=6LY3-ETP 24
 (B)=6LY3-STP 24
 (C)=6LY3-UTP 24

(D)=6LY3-STC 24
 (E)=6LY3-UTC 24
 (F)=

No.	Lev.	Parts No.	Description	Q'ty						I	R
				(A)	(B)	(C)	(D)	(E)	(F)		
1	1	128171-07150	LABEL	1	1	1	1	1			
2	1	120324-07240	LABEL, DANGER	1	1	1	1	1			
3	1	128296-07260	LABEL, DANGER	1	1	1	1	1			
4	1	119773-07280	LABEL, DANGER	1	1	1	1	1			
5	1	128296-07300	LABEL, DANGER	2	2	2	2	2			
6	1	128296-07350	LABEL, DANGER	1	1	1	1	1			
7	1	119574-07400	LABEL	1	1	1	1	1			
8	1	123682-07852	LABEL, CAUTION	1	1	1	1	1			
9	1	119578-07890	LABEL, CAUTION	1	1	1	1	1			
10	1	196630-12980	LABEL, CAUTION	1	1	1	1	1			
11	1	119595-07360	LABEL	1	1	1	1	1			
12	1	119579-07880	LABEL(24V), FUSE	1	1	1	1	1			
13	1	128296-07190	LABEL, LOOSE PARTS	1	1	1	1	1			
14	2	128296-07400	LABEL, DANGER	2	2	2	2	2			
15	2	128296-07420	LABEL, DANGER	1	1	1	1	1			
16	2	128296-07450	LABEL, CAUTION	1	1	1	1	1			
17	2	128296-07460	LABEL, CAUTION	1	1	1	1	1			

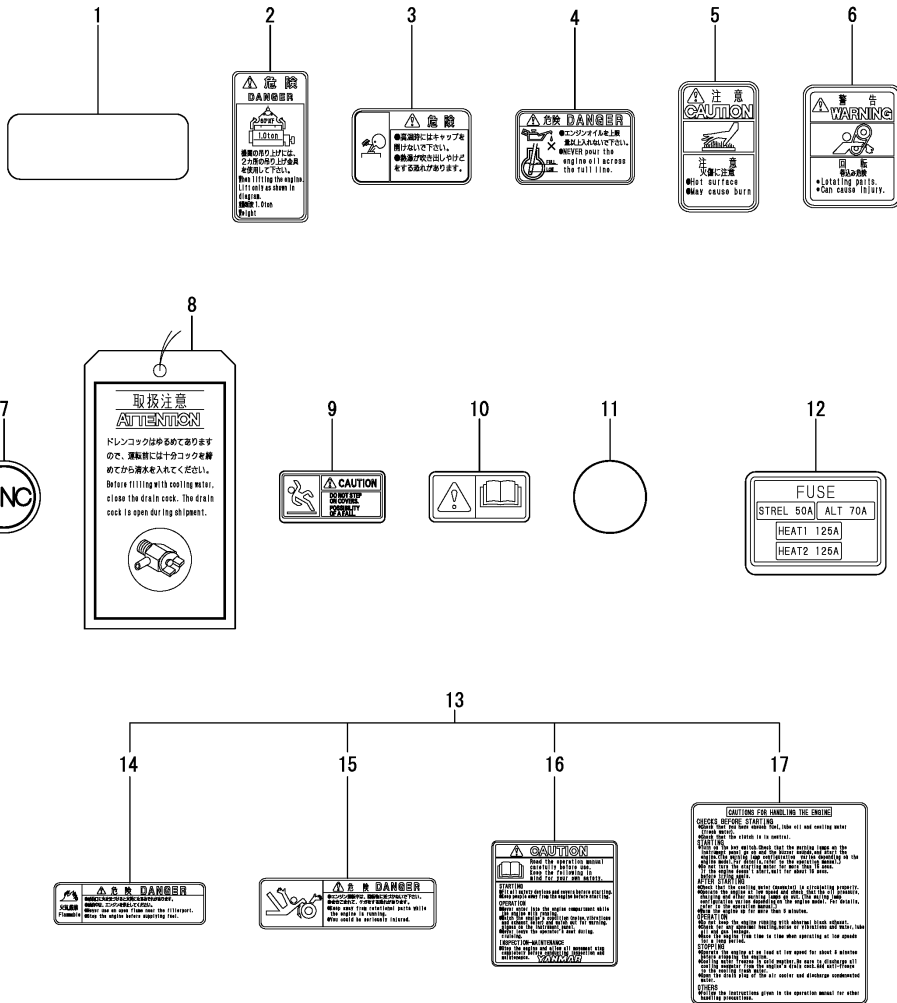
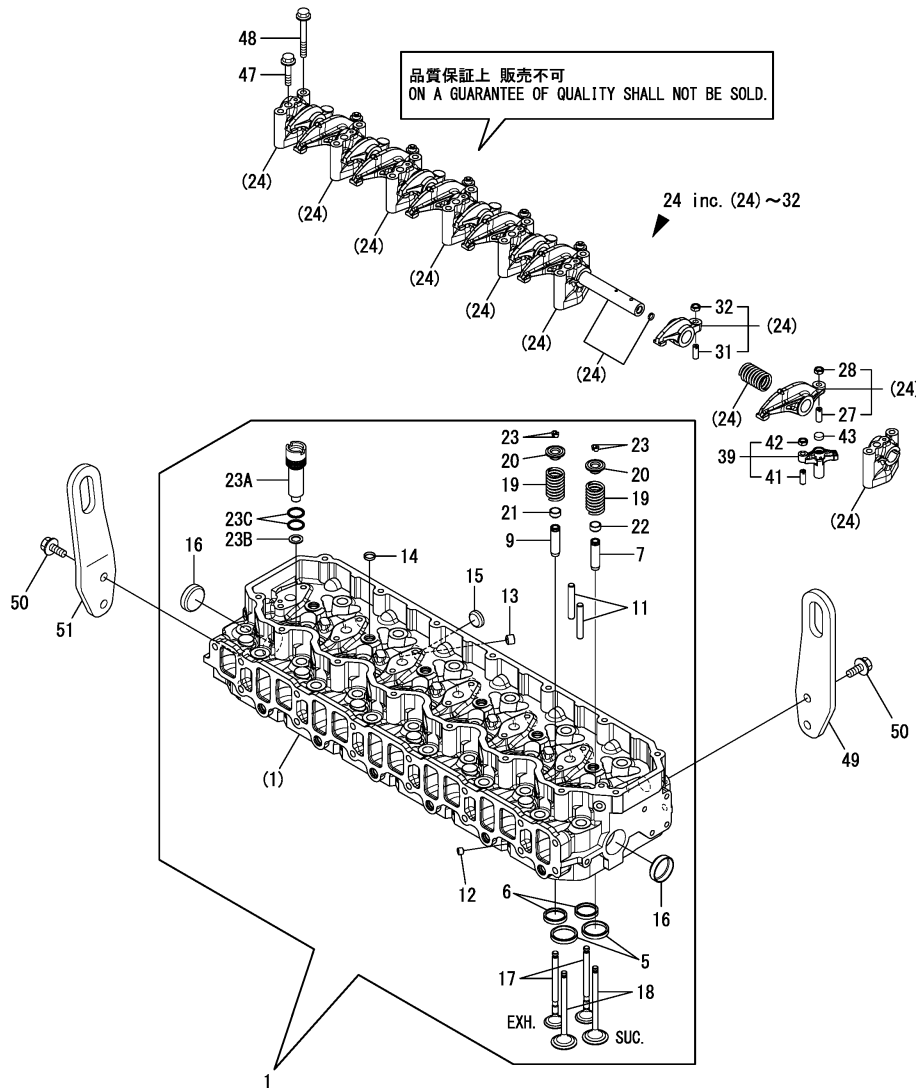


Fig.7. CYLINDER HEAD

(A)=6LY3-ETP 24
 (B)=6LY3-STP 24
 (C)=6LY3-UTP 24

(D)=6LY3-STC 24
 (E)=6LY3-UTC 24
 (F)=



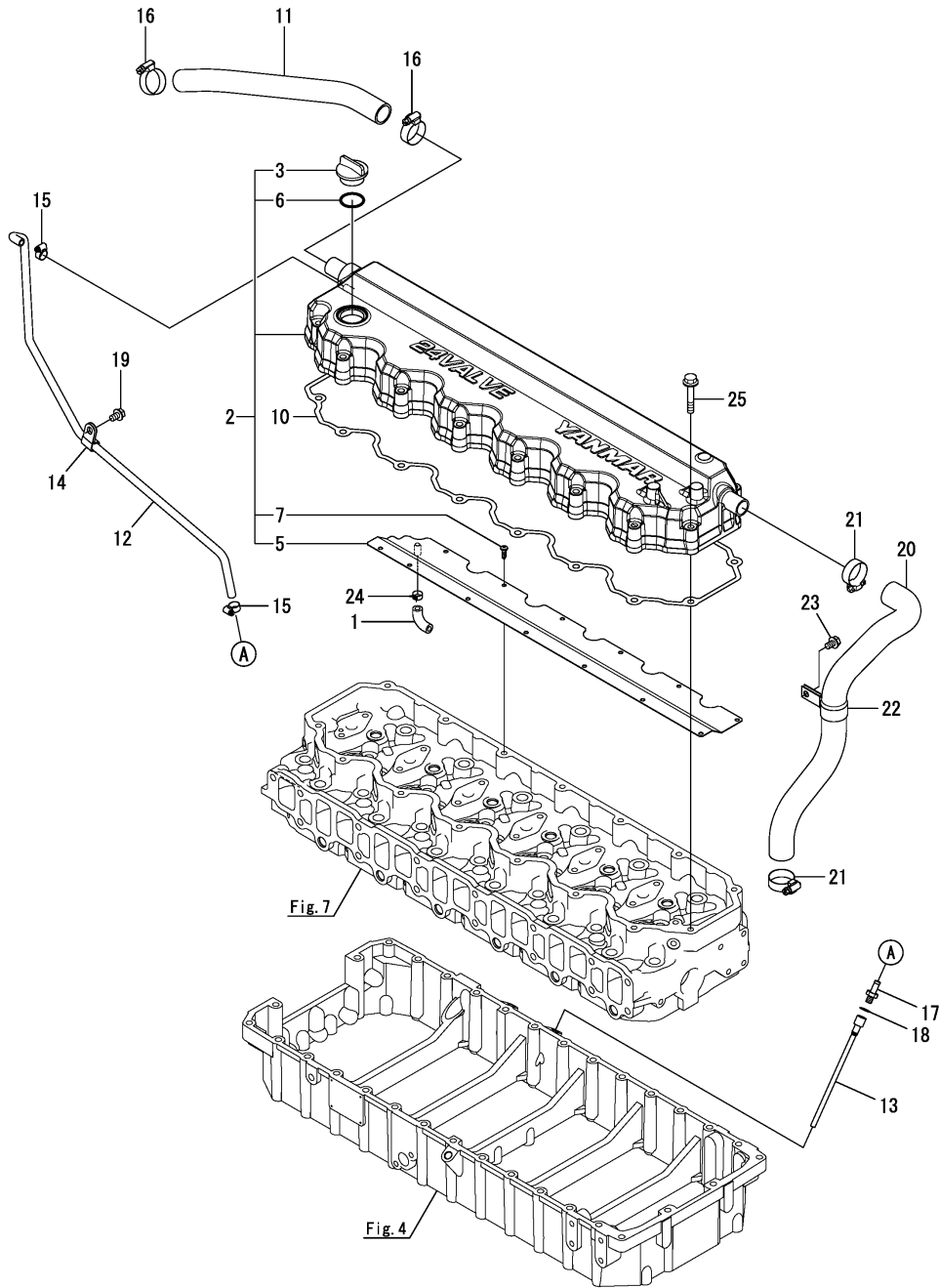
No.	Lev.	Parts No.	Description	Q'ty						I	R
				(A)	(B)	(C)	(D)	(E)	(F)		
1	1	719578-11701	HEAD ASSY, CYLINDER	1	1	1	1	1			
5	3	119578-11080	SEAT, VALVE	12	12	12	12	12			
6	3	119578-11090	SEAT, VALVE	12	12	12	12	12			
7	3	120130-11860	GUIDE, VALVE	12	12	12	12	12		1	
9	3	129150-11810	GUIDE, VALVE	12	12	12	12	12		1	
11	3	119578-11520	GUIDE, BRIDGE	12	12	12	12	12			
12	3	23876-010000	PLUG, R01	7	7	7	7	7			
13	3	23876-020000	PLUG, R02	6	6	6	6	6			
14	3	27241-160000	PLUG, 16	12	12	12	12	12			
15	3	27241-300000	PLUG 30	6	6	6	6	6			
16	3	27241-400000	PLUG, 40	2	2	2	2	2			
17	2	119578-11110	VALVE, EXHAUST	12	12	12	12	12			
18	2	119578-11461	VALVE, SUCTION	12	12	12	12	12			
19	2	119578-11130	SPRING, VALVE	24	24	24	24	24			
20	2	119578-11180	RETAINER, SPRING	24	24	24	24	24			
21	2	121400-11340	SEAL, VALVE STEM	12	12	12	12	12			
22	2	124460-11340	SEAL, VALVE STEM	12	12	12	12	12			
23	2	27310-080001	COTTER, 8	24	24	24	24	24			
23A	2	119578-11840	SLEEVE, NOZZLE	6	6	6	6	6			
23B	2	119578-11960	GASKET	6	6	6	6	6			
23C	2	24311-350220	O-RING, 1AP22A	12	12	12	12	12			
24	1	119578-11280	ARM ASSY, ROCKER	1	1	1	1	1			
27	3	124699-11230	SCREW, VALVE ADJUST	6	6	6	6	6			
28	3	129150-11750	NUT, M8	6	6	6	6	6			
31	3	124699-11230	SCREW, VALVE ADJUST	6	6	6	6	6			
32	3	129150-11750	NUT, M8	6	6	6	6	6			
39	1	119578-11500	BRIDGE ASSY, VALVE	12	12	12	12	12			
41	2	120320-11520	SCREW, VALVE	12	12	12	12	12			
42	2	26756-080002	NUT, LOCK M8	12	12	12	12	12			
43	1	119578-11550	SEAT	12	12	12	12	12			
47	1	26106-080402	BOLT, M8X 40 PLATED	7	7	7	7	7			
48	1	26106-080702	BOLT, M8X 70 PLATED	14	14	14	14	14			
49	1	119578-07220	LIFTER	1	1	1	1	1			
50	1	144626-54572	BOLT, REAMER	4	4	4	4	4			
51	1	119578-07230	LIFTER	1	1	1	1	1			

Remarks
 (1) Spare parts.

Fig.8. BONNET & BREATHER

(A)=6LY3-ETP 24
 (B)=6LY3-STP 24
 (C)=6LY3-UTP 24

(D)=6LY3-STC 24
 (E)=6LY3-UTC 24
 (F)=

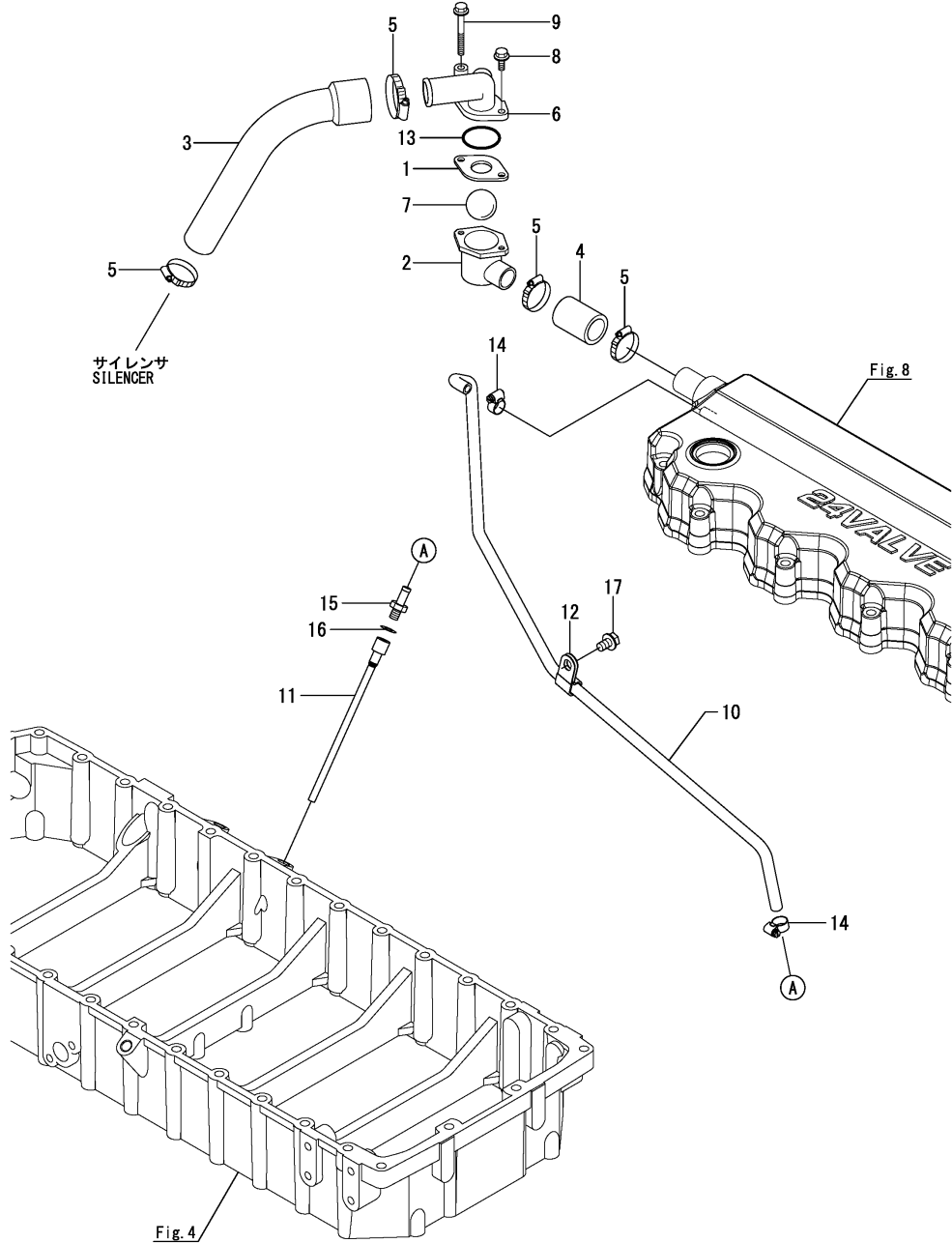


No.	Lev.	Parts No.	Description	Q'ty						I	R
				(A)	(B)	(C)	(D)	(E)	(F)		
1	1	119578-03160	HOSE	1	1	1	1	1			
2	1	119578-11300	BONNET ASSY, HEAD	1	1	1	1	1			
3	2	124160-01751	CAP, FILLER	1	1	1	1	1			
5	2	119578-11381	PLATE	1	1	1	1	1			
6	2	24311-000320	O-RING, 1AP32.0	1	1	1	1	1			
7	2	26476-050102	SCREW, TAPPING M5X10	13	13	13	13	13			
10	1	119578-11360	GASKET, BONNET	1	1	1	1	1			
11	1	119578-03150	HOSE, BREATHER	1	1	1	1	1			
12	1	119578-03170	HOSE	1	1	1	1	1			
13	1	119578-03190	JOINT	1	1	1	1	1			
14	1	119593-39450	RETAINER, PIPE	1	1	1	1	1			
15	1	119172-48130	CLIP, HOSE 13	2	2	2	2	2			
16	1	119172-48350	CLIP, HOSE 35	2	2	2	2	2			
17	1	114385-99151	JOINT	1	1	1	1	1			
18	1	22190-080002	WASHER, SEAL 8	1	1	1	1	1			
19	1	26106-080122	BOLT, M8X 12 PLATED	1	1	1	1	1			
20	1	119578-03110	PIPE, BREATHER	1	1	1	1	1			
21	1	119172-48350	CLIP, HOSE 35	2	2	2	2	2			
22	1	129271-49110	RETAINER, PIPE	1	1	1	1	1			
23	1	26106-080122	BOLT, M8X 12 PLATED	1	1	1	1	1			
24	1	23080-012000	CLAMP, 12	1	1	1	1	1			
25	1	26106-080502	BOLT, M8X 50 PLATED	15	15	15	15	15			

Fig.45. (8A)BREATHER(SOLAS)

(A)=6LY3-ETP 24
 (B)=6LY3-STP 24
 (C)=6LY3-UTP 24

(D)=6LY3-STC 24
 (E)=6LY3-UTC 24
 (F)=



No.	Lev.	Parts No.	Description	Q'ty						I	R
				(A)	(B)	(C)	(D)	(E)	(F)		
1	1	119578-03370	PLATE,CHECK VALVE	1	1	1	1	1			
2	1	119578-03380	BODY,CHECK VALVE	1	1	1	1	1			
3	1	119578-03390	HOSE,AIR CLEANER IN	1	1	1	1	1			
4	1	119578-03400	HOSE,BONNET OUT	1	1	1	1	1			
5	1	119172-48350	CLIP, HOSE 35	4	4	4	4	4			
6	1	119256-49531	COVER, THERMOSTAT	1	1	1	1	1			
7	1	24190-320001	BALL, STEEL 1	1	1	1	1	1			
8	1	26106-060162	BOLT, M6X 16 PLATED	1	1	1	1	1			
9	1	26106-060552	BOLT, M6X 55 PLATED	1	1	1	1	1			
10	1	119578-03170	HOSE	1	1	1	1	1			
11	1	119578-03190	JOINT	1	1	1	1	1			
12	1	119593-39450	RETAINER, PIPE	1	1	1	1	1			
13	1	119209-42140	O-RING, G 35	1	1	1	1	1			
14	1	119172-48130	CLIP, HOSE 13	2	2	2	2	2			
15	1	114385-99151	JOINT	1	1	1	1	1			
16	1	22190-080002	WASHER, SEAL 8	1	1	1	1	1			
17	1	26106-080122	BOLT, M8X 12 PLATED	1	1	1	1	1			

Fig.9. SUCTION MANIFOLD

(A)=6LY3-ETP 24
 (B)=6LY3-STP 24
 (C)=6LY3-UTP 24

(D)=6LY3-STC 24
 (E)=6LY3-UTC 24
 (F)=

No.	Lev.	Parts No.	Description	Q'ty						I	R
				(A)	(B)	(C)	(D)	(E)	(F)		
1	1	119578-12110	MANIFOLD, INTAKE	1	1	1	1	1			
2	1	119578-12150	GASKET, MANIFOLD	1	1	1	1	1			
3	1	22190-120002	WASHER, SEAL 12	1	1	1	1	1			
4	1	23887-120002	PLUG, 12	1	1	1	1	1			
5	1	26106-100252	BOLT, M10X 25 PLATED	7	7	7	7	7			
6	1	26106-100902	BOLT, M10X 90 PLATED	8	8	8	8	8			

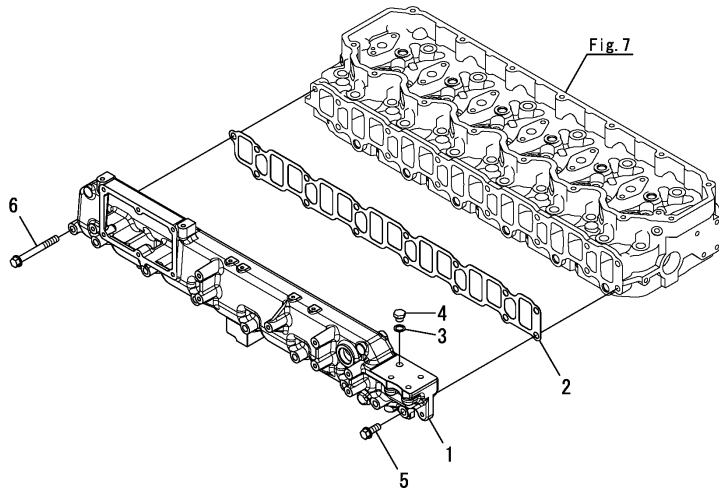


Fig.10. EXHAUST BEND & MIXING ELBOW(OPTIONAL)

(A)=6LY3-ETP 24
 (B)=6LY3-STP 24
 (C)=6LY3-UTP 24

(D)=6LY3-STC 24
 (E)=6LY3-UTC 24
 (F)=

No.	Lev.	Parts No.	Description	Q'ty						I	R
				(A)	(B)	(C)	(D)	(E)	(F)		
1	1	119574-13251	GASKET	2	2	2	2	2			
2	1	119574-13300	CLAMP	2	2	2	2	2			
3	1	119575-13300	BEND ASSY	1	1	1	1	1			
5	2	119575-13320	MAT	1	1	1	1	1			
6	1	119575-13330	BRACKET	1	1	1	1	1			
7	1	119575-13350	FITTING, PIPE	1	1	1	1	1			
8	1	719578-13500	ELBOW ASSY	1	1	1	1	1			
8B	2	23414-130000	GASKET, 13X1.0	1	1	1	1	1			
8C	2	23893-020002	PLUG, G1/4	1	1	1	1	1			
9	1	119172-48480	CLAMP, HOSE 48	1	1	1	1	1			
10	1	127881-49190	CLIP, HOSE	1	1	1	1	1			
11	1	119578-49960	HOSE, RUBBER	1	1	1	1	1			
12	1	26106-080102	BOLT, M8X 10 PLATED	1	1	1	1	1			
13	1	26106-080142	BOLT, M8X 14 PLATED	4	4	4	4	4			
14	1	119574-13251	GASKET	1	1	1	1	1			
15	1	119574-13300	CLAMP	1	1	1	1	1			
16	1	719578-13500	ELBOW ASSY	1	1	1	1	1			
16B	2	23414-130000	GASKET, 13X1.0	1	1	1	1	1			
16C	2	23893-020002	PLUG, G1/4	1	1	1	1	1			
17	1	119172-48480	CLAMP, HOSE 48	1	1	1	1	1			
18	1	119172-48540	CLIP, HOSE 54	2	2	2	2	2			
19	1	127881-49190	CLIP, HOSE	1	1	1	1	1			
20	1	119578-49500	RETAINER	1	1	1	1	1			
21	1	119578-49870	HOSE, RUBBER	1	1	1	1	1			
22	1	119578-49880	HOSE, RUBBER	1	1	1	1	1			
23	1	119578-49920	HOSE, RUBBER	1	1	1	1	1			
24	1	119578-49930	JOINT, MIXING	1	1	1	1	1			
25	1	119578-49940	BRACKET	1	1	1	1	1			
26	1	26106-080162	BOLT, M8X 16 PLATED	2	2	2	2	2			

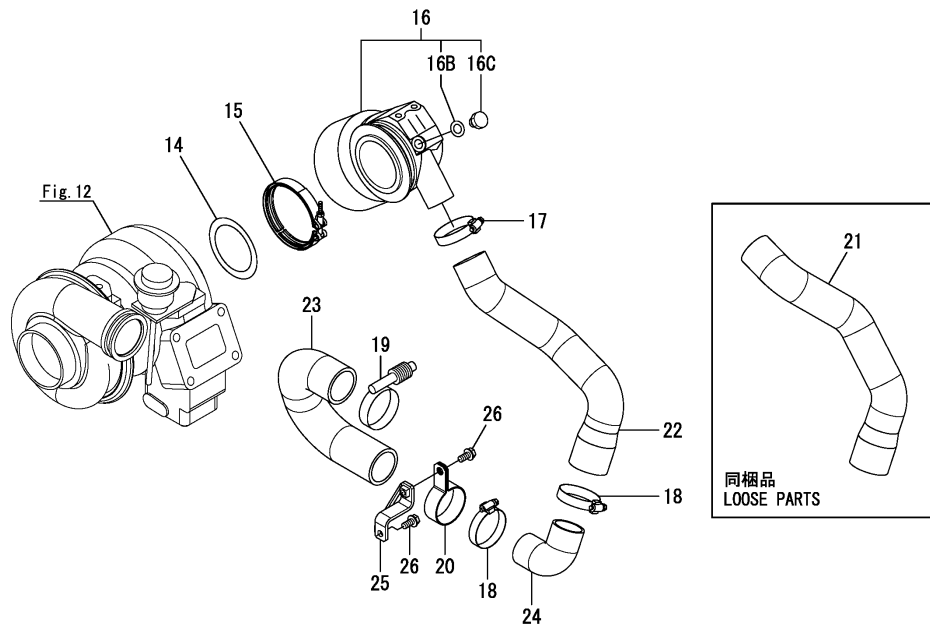
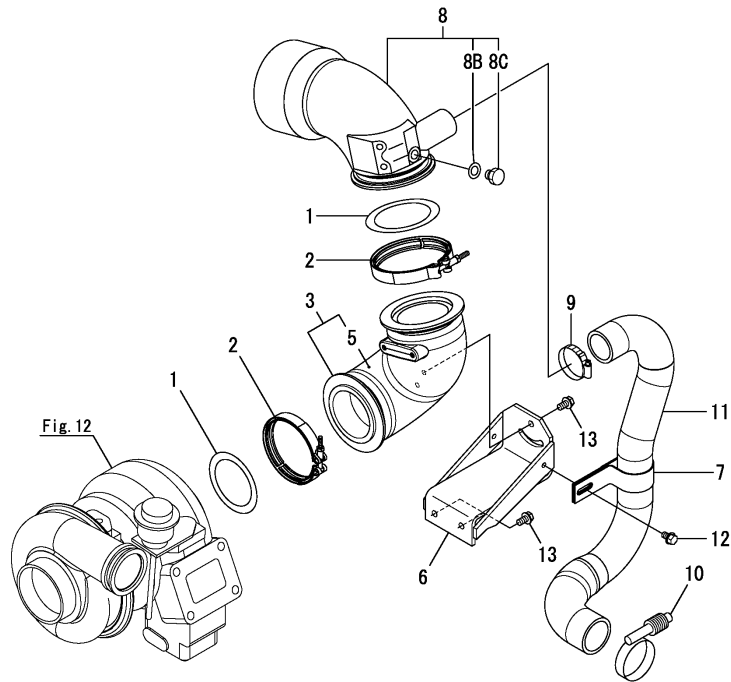
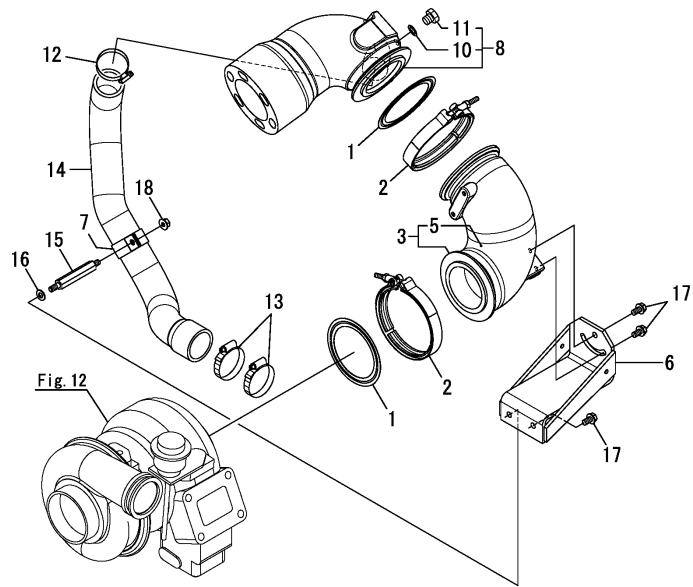


Fig.11. MIXING ELBOW(KMH61V)(OPTIONAL)

(A)=6LY3-ETP 24
 (B)=6LY3-STP 24
 (C)=6LY3-UTP 24

(D)=6LY3-STC 24
 (E)=6LY3-UTC 24
 (F)=



No.	Lev.	Parts No.	Description	Q'ty						I	R
				(A)	(B)	(C)	(D)	(E)	(F)		
1	1	119574-13251	GASKET	2	2	2	2	2			
2	1	119574-13300	CLAMP	2	2	2	2	2			
3	1	119575-13300	BEND ASSY	1	1	1	1	1			
5	2	119575-13320	MAT	1	1	1	1	1			
6	1	119575-13330	BRACKET	1	1	1	1	1			
7	1	119575-13350	FITTING, PIPE	1	1	1	1	1			
8	1	719578-13500	ELBOW ASSY	1	1	1	1	1			
10	2	23414-130000	GASKET, 13X1.0	1	1	1	1	1			
11	2	23893-020002	PLUG, G1/4	1	1	1	1	1			
12	1	119172-48480	CLAMP, HOSE 48	1	1	1	1	1			
13	1	119172-48540	CLIP, HOSE 54	2	2	2	2	2			
14	1	119578-49970	HOSE, RUBBER	1	1	1	1	1			
15	1	119578-77450	BOLT	1	1	1	1	1			
16	1	22117-080000	WASHER, 8	1	1	1	1	1			
17	1	26106-080142	BOLT, M8X 14 PLATED	3	3	3	3	3			
18	1	26366-080002	NUT, M8	1	1	1	1	1			
19	1	119574-13251	GASKET	2	2	2	2	2			
20	1	119574-13300	CLAMP	2	2	2	2	2			
21	1	119575-13300	BEND ASSY	1	1	1	1	1			
23	2	119575-13320	MAT	1	1	1	1	1			
24	1	119578-13300	BRACKET	1	1	1	1	1			
25	1	119575-13330	BRACKET	1	1	1	1	1			
26	1	119575-13350	FITTING, PIPE	1	1	1	1	1			
27	1	719578-13500	ELBOW ASSY	1	1	1	1	1			
29	2	23414-130000	GASKET, 13X1.0	1	1	1	1	1			
30	2	23893-020002	PLUG, G1/4	1	1	1	1	1			
31	1	119172-48480	CLAMP, HOSE 48	3	3	3	3	3			
32	1	119172-48540	CLIP, HOSE 54	2	2	2	2	2			
33	1	119779-49210	RETAINER	1	1	1	1	1			
34	1	119578-49240	PIPE	1	1	1	1	1			
35	1	119574-49751	HOSE, MIXING	1	1	1	1	1			
36	1	119578-49960	HOSE, RUBBER	1	1	1	1	1			
37	1	26106-080102	BOLT, M8X 10 PLATED	1	1	1	1	1			
38	1	26106-080122	BOLT, M8X 12 PLATED	2	2	2	2	2			
39	1	26106-080142	BOLT, M8X 14 PLATED	4	4	4	4	4			
40	1	26106-080202	BOLT, M8X 20 PLATED	1	1	1	1	1			
41	1	26366-080002	NUT, M8	1	1	1	1	1			

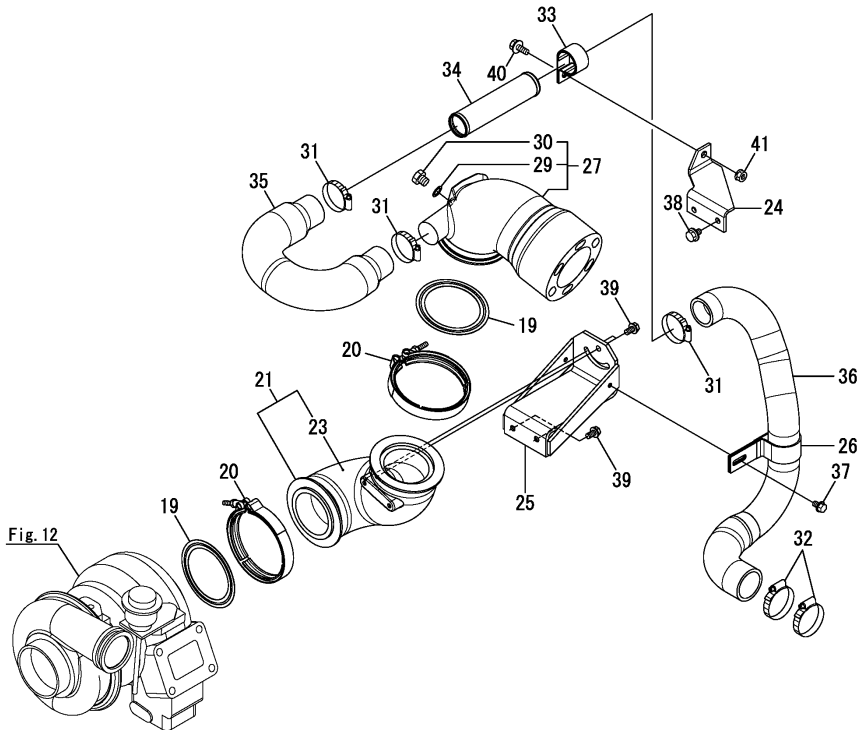
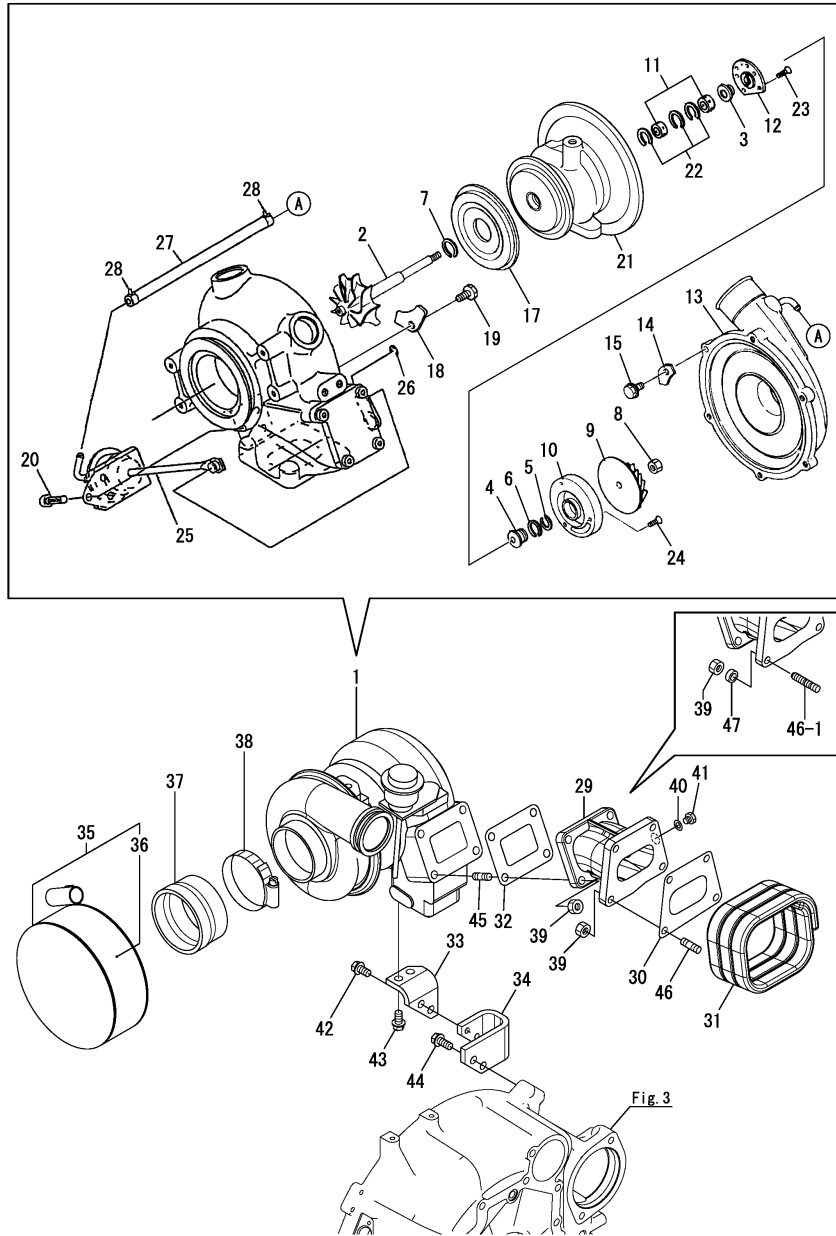


Fig.12. TURBINE

(A)=6LY3-ETP 24
(B)=6LY3-STP 24
(C)=6LY3-UTP 24

(D)=6LY3-STC 24
(E)=6LY3-UTC 24
(F)=



No.	Lev.	Parts No.	Description	Q'ty						I	R
				(A)	(B)	(C)	(D)	(E)	(F)		
1	1	119578-18010	TURBINE ASSY	1	1	1	1	1			
2	2	XNH172003	SHAFT ASSY	1	1	1	1	1			
3	2	XNH271351	BUSH	1	1	1	1	1			
4	2	XNH171881	OIL THROWER	1	1	1	1	1			
5	2	XNH261605	RING, SEAL	1	1	1	1	1			
6	2	XNH191305	RING, SEAL	1	1	1	1	1			
7	2	XNN171107	RING, SEAL	1	1	1	1	1			
8	2	XNN171110	NUT	1	1	1	1	1			
9	2	XNH175702	IMPELLER, COMPRESSOR	1	1	1	1	1			
10	2	XNH172504	SEAL PLATE	1	1	1	1	1			
11	2	XNN173504	BEARING	2	2	2	2	2			
12	2	XNH273502	THRUST BEARING	1	1	1	1	1			
13	2	XNH174858	HOUSING, GOVERNOR	1	1	1	1	1			
14	2	XNH174404	RETAINER	5	5	5	5	5			
15	2	XNH747101	BOLT	6	6	6	6	6			
17	2	XNH178265	PLATE,INSULATION	1	1	1	1	1			
18	2	XNN137423	RETAINER	8	8	8	8	8			
19	2	XNN137007	BOLT, M8	8	8	8	8	8			
20	2	XNH362809	FLAT BOLT	3	3	3	3	3			
21	2	XNH173440	HOUSING	1	1	1	1	1			
22	2	XNN173204	CIRCLIP	3	3	3	3	3			
23	2	XNH193006	BOLT	4	4	4	4	4			
24	2	XNB133206	SCREW	4	4	4	4	4			
25	2	XNH964291	ACTUATOR	1	1	1	1	1			
26	2	XJD532012	CIRCLIP	1	1	1	1	1			
27	2	XNH964293	HOSE	1	1	1	1	1			
28	2	XNN976662	CLIP	2	2	2	2	2			
29	1	119578-18050	BRACKET	1	1	1	1	1			
30	1	119578-18070	GASKET, MANIFOLD	1	1	1	1	1			
31	1	119593-18070	COVER	1	1	1	1	1			
31-1	1	119593-18071	LAGGING	1	1	1	1	1		N	
		(A=E/#1177) (B=E/#1187) (C=E/#1224) (D=E/#1183) (E=E/#1307)									
32	1	119593-18110	GASKET	1	1	1	1	1			
33	1	119578-18261	BRACKET	1	1	1	1	1			
34	1	119578-18271	BRACKET	1	1	1	1	1			
35	1	119578-18860	SILENCER	1	1	1	1	1			
36	2	119593-18880	FILTER, AIR 65MM	1	1	1	1	1			
37	1	119578-18880	PIPE, AIR INTAKE	1	1	1	1	1			
38	1	119578-18810	CLIP, HOSE	2	2	2	2	2			
39	1	26703-100002	NUT, M10	8	8	8	8	8			
40	1	23414-170000	GASKET, 17X1.0	1	1	1	1	1			
41	1	23894-030002	PLUG, G3/8	1	1	1	1	1			
42	1	26106-100182	BOLT, M10X 18 PLATED	2	2	2	2	2			
43	1	26106-100182	BOLT, M10X 18 PLATED	2	2	2	2	2			
44	1	26106-100222	BOLT, M10X 22 PLATED	2	2	2	2	2			
45	1	26213-100252	STUD, M10X 25	4	4	4	4	4			
46	1	26223-100252	STUD, M10X 25	4	4	4	4	4			
46-1	1	127677-18420	STUD	4	4	4	4	4		S 1	
		(A=*2009.05.) (B=*2009.05.) (C=*2009.05.) (D=*2009.05.) (E=*2009.05.)									
47	1	127677-18440	WASHER	4	4	4	4	4		W 1	
		(A=*2009.05.) (B=*2009.05.) (C=*2009.05.) (D=*2009.05.) (E=*2009.05.)									

Remarks

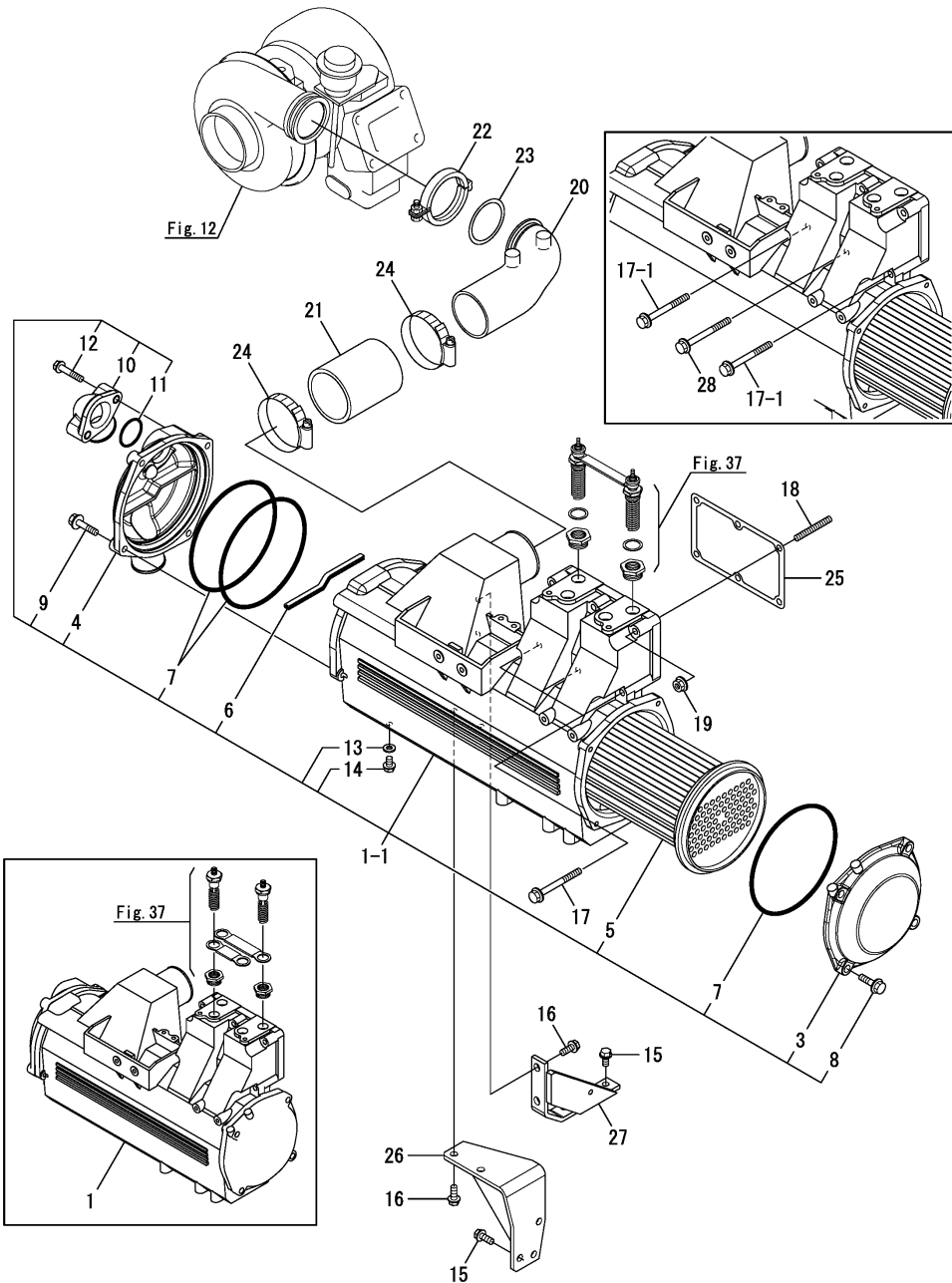
(1)Interchangeable by simultaneous replacement with No.46-1 & 47.

N:Old \xrightarrow{Yes} New, Q:Old \xrightarrow{No} New, R:Old \xrightarrow{Yes} New, S:Old \xrightarrow{No} New, W:Add, Z:Discontinued, F:Interchangeable by set, K:Q'ty Change

Fig.13. INTER COOLER

(A)=6LY3-ETP 24
 (B)=6LY3-STP 24
 (C)=6LY3-UTP 24

(D)=6LY3-STC 24
 (E)=6LY3-UTC 24
 (F)=

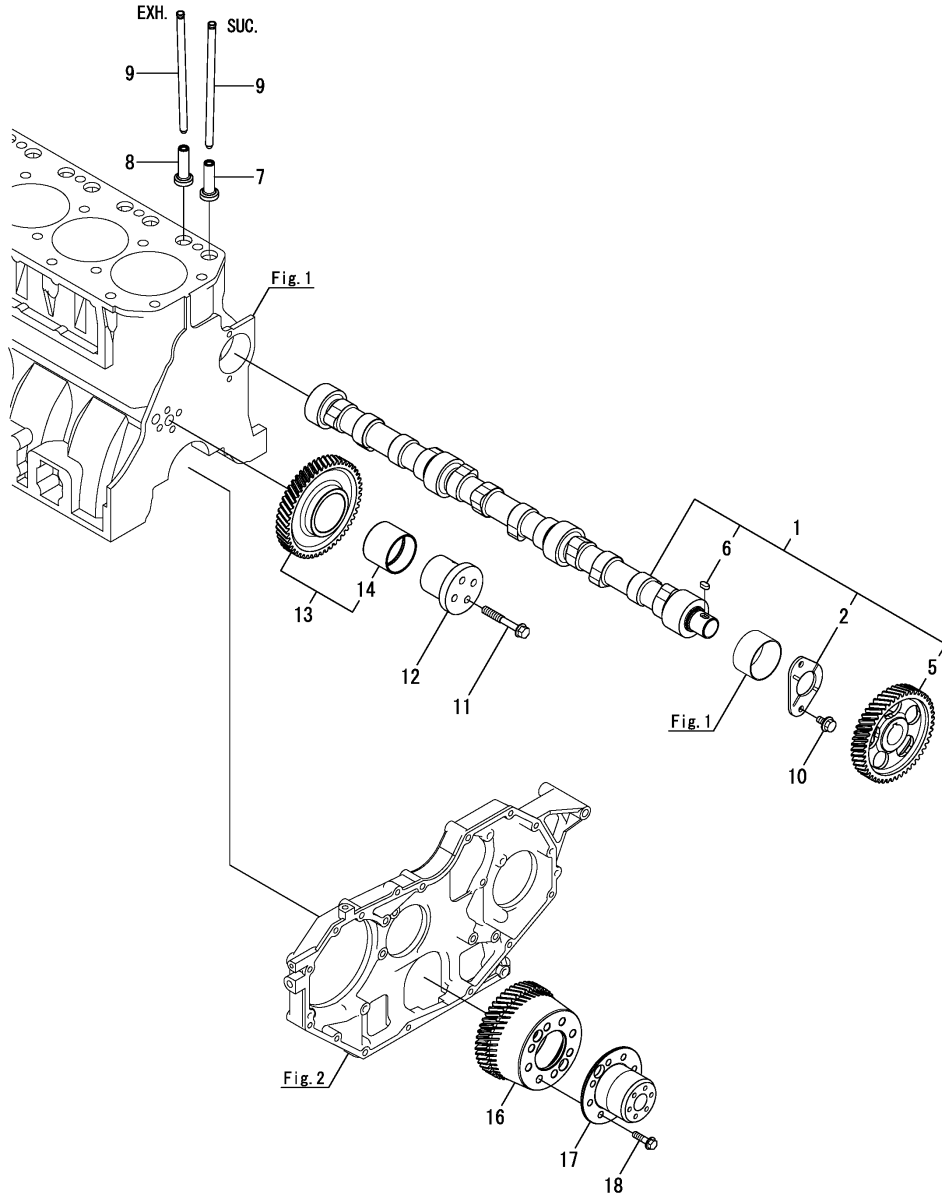


No.	Lev.	Parts No.	Description	Q'ty						I	R
				(A)	(B)	(C)	(D)	(E)	(F)		
1	1	719579-18100	COOLER ASSY, INTER	1	1	1	1	1			
1-1	1	719578-18101	INTERCOOLER ASSY	1	1	1	1	1		S	
		(A=E/#0938) (B=E/#0950) (C=E/#0928) (D=E/#0976) (E=E/#1074)									
1-2	1	719578-18102	INTERCOOLER ASSY	1	1	1	1	1		R	
		(A=E/#1112) (B=E/#1106) (C=E/#1102) (D=E/#1104) (E=E/#1103)									
1-3	1	719578-18103	INTERCOOLER ASSY	1	1	1	1	1		N	
		(A=E/#1177) (B=E/#1187) (C=E/#1224) (D=E/#1183) (E=E/#1307)									
3	2	119578-18121	BOX, WATER	1	1	1	1	1			
4	2	119578-18130	BOX, WATER	1	1	1	1	1			
5	2	119578-18160	TUBESTACK	1	1	1	1	1			
5-1	2	119578-18140	TUBESTACK	1	1	1	1	1		R	
		(A=E/#1112) (B=E/#1106) (C=E/#1102) (D=E/#1104) (E=E/#1103)									
5-2	2	119578-18170	CORE, I/C	1	1	1	1	1		N	
		(A=E/#1177) (B=E/#1187) (C=E/#1224) (D=E/#1183) (E=E/#1307)									
6	2	119578-18150	GASKET, COVER	1	1	1	1	1			
6-1	2	119578-18410	GASKET	1	1	1	1	1		R	
		(A=*2010.02.) (B=*2010.02.) (C=*2010.02.) (D=*2010.02.) (E=*2010.02.)									
6-2	2	127677-18520	GASKET	1	1	1	1	1		R	
		(A=E/#1112) (B=E/#1106) (C=E/#1102) (D=E/#1104) (E=E/#1103)									
6-3	2	119578-18150	GASKET, COVER	1	1	1	1	1		N	
		(A=E/#1177) (B=E/#1187) (C=E/#1224) (D=E/#1183) (E=E/#1307)									
7	2	119574-18810	O-RING	3	3	3	3	3			
7-1	2	119578-18420	O-RING	3	3	3	3	3		R	
		(A=*2010.02.) (B=*2010.02.) (C=*2010.02.) (D=*2010.02.) (E=*2010.02.)									
7-2	2	119574-18810	O-RING	3	3	3	3	3		R	
		(A=E/#1112) (B=E/#1106) (C=E/#1102) (D=E/#1104) (E=E/#1103)									
8	2	26106-080302	BOLT, M8X 30 PLATED	4	4	4	4	4			
9	2	26106-080352	BOLT, M8X 35 PLATED	4	4	4	4	4			
10	2	119578-49350	BEND	1	1	1	1	1			
11	2	24311-000400	O-RING, 1AP40.0	1	1	1	1	1			
12	2	26106-080402	BOLT, M8X 40 PLATED	2	2	2	2	2			
13	2	22190-080002	WASHER, SEAL 8	1	1	1	1	1			
14	2	26106-080122	BOLT, M8X 12 PLATED	1	1	1	1	1			
15	1	26106-080162	BOLT, M8X 16 PLATED	5	5	5	5	5			
16	1	26106-080202	BOLT, M8X 20 PLATED	4	4	4	4	4			
17	1	26106-080802	BOLT, M8X 80 PLATED	3	3	3	3	3			
17-1	1	26106-080802	BOLT, M8X 80 PLATED	2	2	2	2	2		K	
		(A=E/#1177) (B=E/#1187) (C=E/#1224) (D=E/#1183) (E=E/#1307)									
18	1	26226-080502	STUD, M8X 50	3	3	3	3	3			
19	1	26306-080002	NUT, M8	3	3	3	3	3			
20	1	119578-18180	DUCT, AIR	1	1	1	1	1			
21	1	119578-18200	HOSE, AIR DUCT	1	1	1	1	1			
22	1	119574-18700	BAND	1	1	1	1	1			
23	1	119593-18800	GASKET	1	1	1	1	1			
24	1	127687-18910	CLIP, HOSE	2	2	2	2	2			
25	1	127881-18180	GASKET, COOLER	1	1	1	1	1			
26	1	119578-18310	RETAINER	1	1	1	1	1			
27	1	119578-18320	RETAINER	1	1	1	1	1			
28	1	26106-080852	BOLT, M8X 85 PLATED	1	1	1	1	1		W	
		(A=E/#1177) (B=E/#1187) (C=E/#1224) (D=E/#1183) (E=E/#1307)									

Fig.14. CAMSHAFT & DRIVING GEAR

(A)=6LY3-ETP 24
 (B)=6LY3-STP 24
 (C)=6LY3-UTP 24

(D)=6LY3-STC 24
 (E)=6LY3-UTC 24
 (F)=

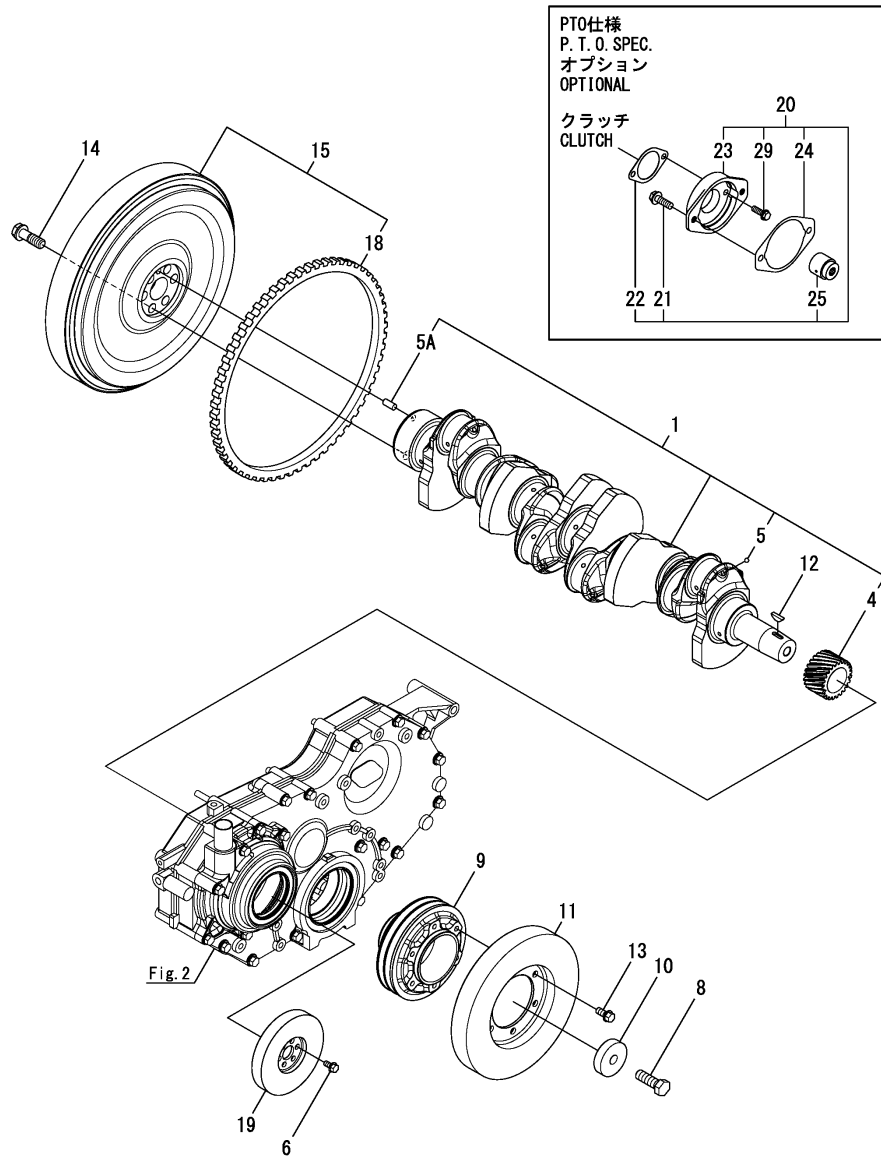


No.	Lev.	Parts No.	Description	Q'ty						I	R
				(A)	(B)	(C)	(D)	(E)	(F)		
1	1	119578-14000	CAMSHAFT ASSY	1	1	1	1	1			
2	2	119000-02450	BEARING, THRUST	1	1	1	1	1			
5	2	119578-14200	GEAR, CAMSHAFT	1	1	1	1	1			
6	2	22512-070140	KEY, 7X 14	1	1	1	1	1			
7	1	119578-14210	TAPPET	6	6	6	6	6			
8	1	119578-14240	TAPPET	6	6	6	6	6			
9	1	119578-14400	ROD, PUSH	12	12	12	12	12			
10	1	26106-080162	BOLT, M8X 16 PLATED	2	2	2	2	2			
11	1	160890-01210	BOLT, FLANGE M10X70	4	4	4	4	4			
12	1	119578-25180	SHAFT	1	1	1	1	1			
13	1	119578-25250	GEAR ASSY, IDLE	1	1	1	1	1			
14	2	119578-25170	BUSH, IDLE GEAR	1	1	1	1	1			
16	1	119578-25900	GEAR, PUMP	1	1	1	1	1			
17	1	119578-28400	SHAFT	1	1	1	1	1			
18	1	129695-77360	BOLT, M8X30	8	8	8	8	8			

Fig.15. CRANKSHAFT & FLYWHEEL

(A)=6LY3-ETP 24
 (B)=6LY3-STP 24
 (C)=6LY3-UTP 24

(D)=6LY3-STC 24
 (E)=6LY3-UTC 24
 (F)=

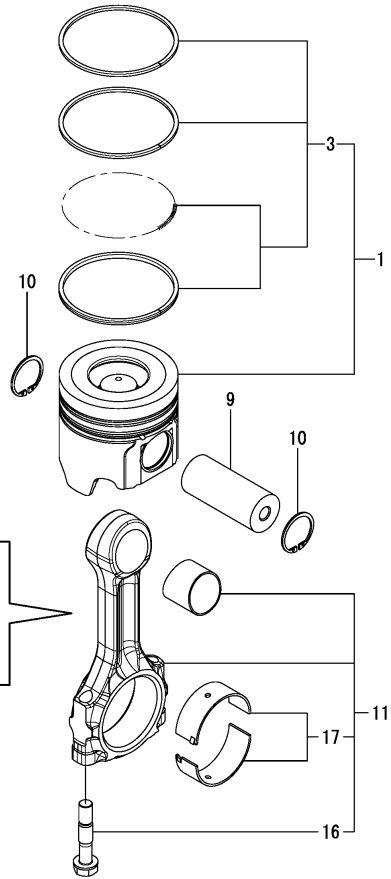


No.	Lev.	Parts No.	Description	Q'ty						I	R
				(A)	(B)	(C)	(D)	(E)	(F)		
1	1	119578-21000	CRANKSHAFT ASSY	1	1	1	1	1			
4	2	119578-21220	GEAR, CRANKSHAFT	1	1	1	1	1			
5	2	24190-090001	BALL, STEEL 9/32	6	6	6	6	6			
5A	2	121850-21920	PIN, PARALLEL 10X22	1	1	1	1	1			
6	1	26106-080162	BOLT, M8X 16 PLATED	6	6	6	6	6			
8	1	123672-21500	BOLT, M16X50	1	1	1	1	1			
9	1	119578-21640	V-PULLEY	1	1	1	1	1			
10	1	123672-21861	WASHER	1	1	1	1	1			
11	1	119578-28000	DAMPER	1	1	1	1	1			
12	1	22512-070220	KEY, 7X 22	1	1	1	1	1			
13	1	26106-100222	BOLT, M10X 22 PLATED	6	6	6	6	6			
14	1	119593-21500	BOLT, FLYWHEEL	6	6	6	6	6			
15	1	119578-21600	FLYWHEEL ASSY	1	1	1	1	1			
18	2	127410-21480	GEAR, RING Z=129	1	1	1	1	1			
19	1	119578-28300	DAMPER	1	1	1	1	1			
20	1	777524-02121	FLANGE KIT, PTO	1	1	1	1	1			
21	2	26106-100352	BOLT, M10X 35 PLATED	2	2	2	2	2			
22	2	177524-02210	GASKET, COVER	1	1	1	1	1			
22-1	2	177524-02211	GASKET, COVER	1	1	1	1	1		N	
		(A=*2012.03.) (B=*2012.03.) (C=*2012.03.) (D=*2012.03.) (E=*2012.03.)									
23	2	177524-02221	FLANGE, SAE#A	1	1	1	1	1			
24	2	177524-02230	GASKET	1	1	1	1	1			
25	2	177524-03701	SLEEVE ASSY, SPLINE	1	1	1	1	1			
29	2	26106-080302	BOLT, M8X 30 PLATED	2	2	2	2	2			

Fig.16. PISTON & CONNECTING ROD

(A)=6LY3-ETP 24
 (B)=6LY3-STP 24
 (C)=6LY3-UTP 24

(D)=6LY3-STC 24
 (E)=6LY3-UTC 24
 (F)=



No.	Lev.	Parts No.	Description	Q'ty						I	R
				(A)	(B)	(C)	(D)	(E)	(F)		
1	1	719578-22721	PISTON ASSY	6	6	6	6	6			
1-1	2	719578-22730	PISTON W/RING	6	6	6	6	6		R	
		(A=E/#0328)	(B=E/#0323)	(C=E/#0257)	(D=E/#0307)	(E=E/#0413)					
3	2	119578-22300	RING SET, PISTON	6	6	6	6	6			
9	1	119503-22300	PIN, PISTON	6	6	6	6	6			
9-1	1	119503-22301	PIN, PISTON	6	6	6	6	6		N	
		(A=E/#0913)	(B=E/#0920)	(C=E/#0928)	(D=E/#0908)	(E=E/#0905)					
10	1	22252-000370	RING, 37	12	12	12	12	12			
11	1	719578-23700	ROD ASSY, CONNECTING	6	6	6	6	6			
16	3	119593-23200	BOLT, CONNECTING ROD	12	12	12	12	12			
17	2	119578-23600	BEARING, CRANK PIN	6	6	6	6	6		1	

品質保証上 販売不可
 ON A GUARANTEE OF QUALITY
 SHALL NOT BE SOLD.

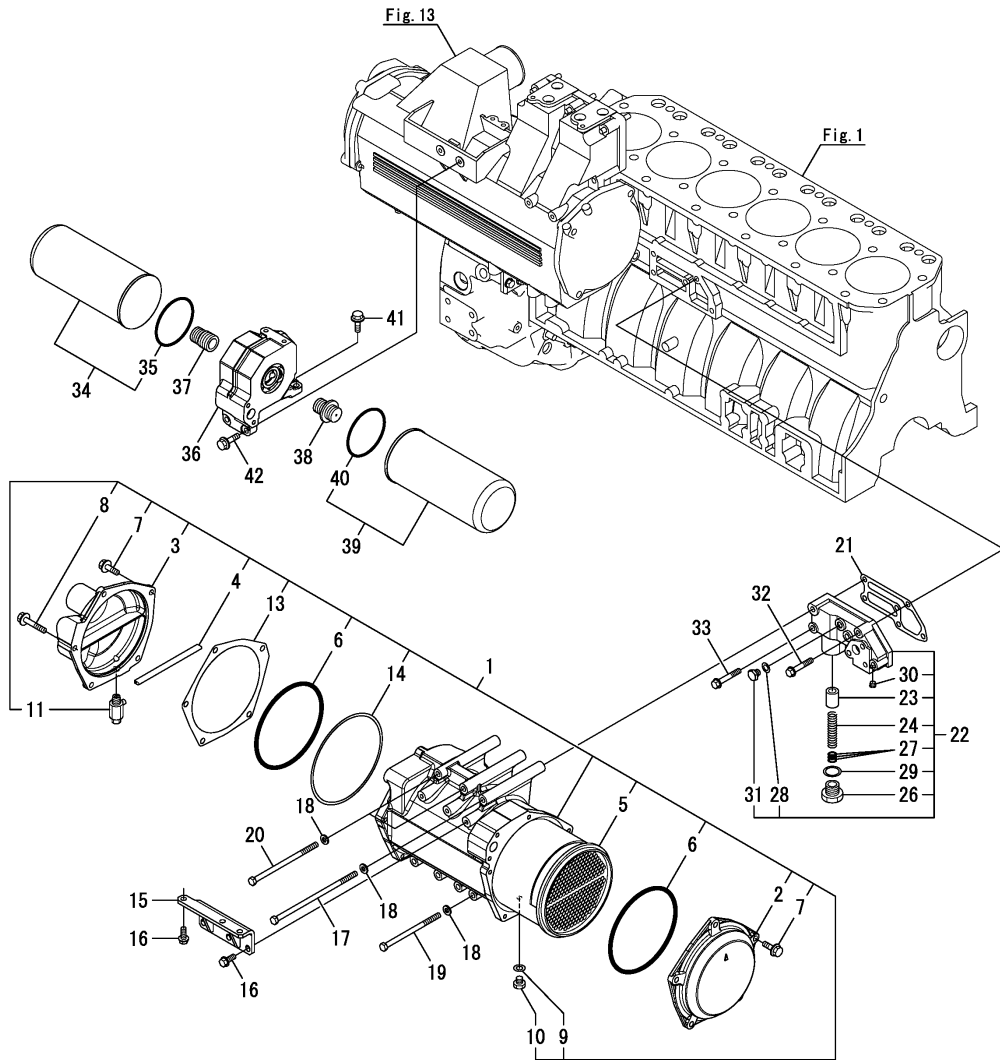
Remarks

(1) Since crankshaft will be distorted if the "R" hardening crankshaft is ground, undersize metal is inapplicable.

Fig.17. LUB. OIL COOLER & FILTER

(A)=6LY3-ETP 24
(B)=6LY3-STP 24
(C)=6LY3-UTP 24

(D)=6LY3-STC 24
(E)=6LY3-UTC 24
(F)=

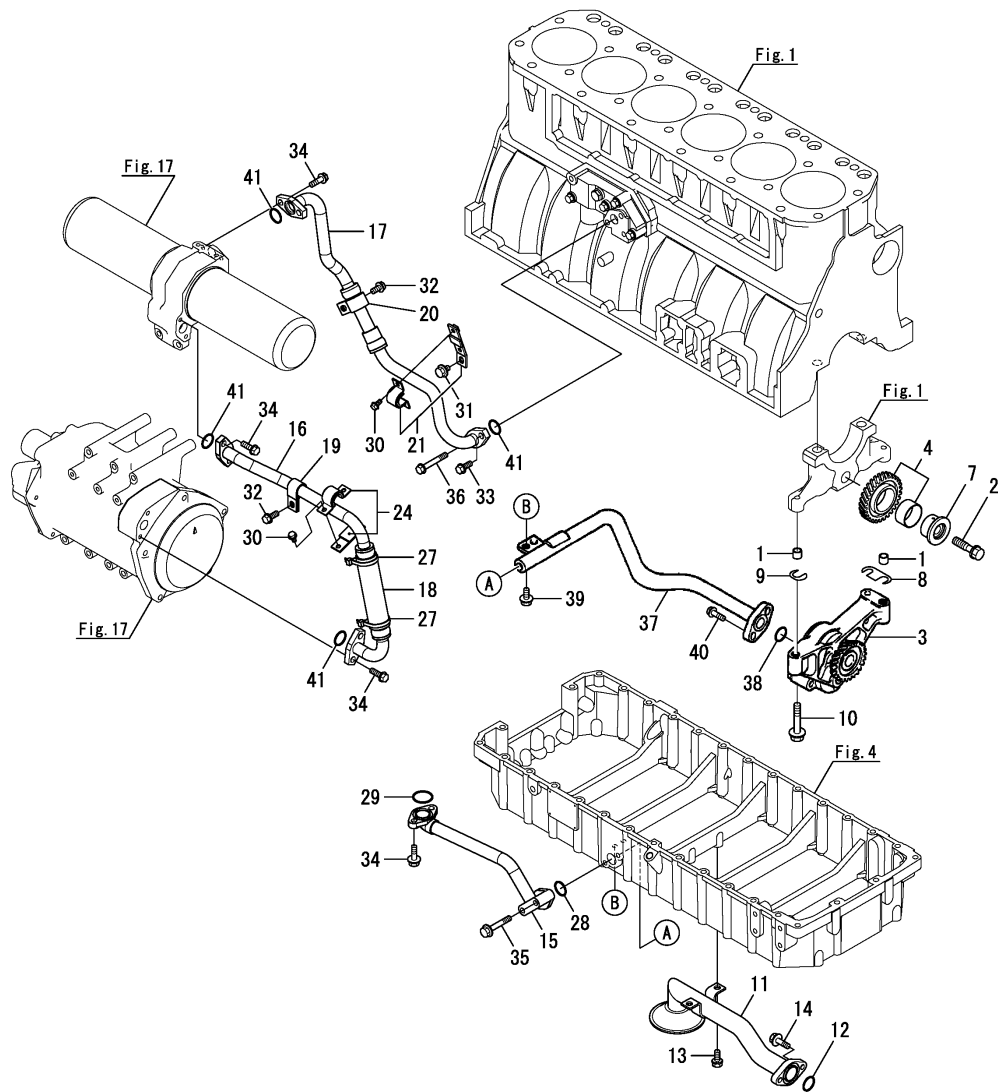


No.	Lev.	Parts No.	Description	Q'ty						I	R
				(A)	(B)	(C)	(D)	(E)	(F)		
1	1	719578-33100	COOLER ASSY, OIL	1	1	1	1	1			
2	2	119578-33050	COVER	1	1	1	1	1			
3	2	119578-33060	COVER	1	1	1	1	1			
4	2	119578-33080	GASKET, COOLER	1	1	1	1	1			
5	2	119578-33100	CORE	1	1	1	1	1			
6	2	24321-001500	O-RING, 1AG150.0	2	2	2	2	2			
7	2	26106-080252	BOLT, M8X 25 PLATED	9	9	9	9	9			
8	2	26106-080452	BOLT, M8X 45 PLATED	1	1	1	1	1			
9	2	22190-100002	WASHER, SEAL 10	1	1	1	1	1			
10	2	23887-100002	PLUG, 10	1	1	1	1	1			
11	2	119620-49290	COCK ASSY, 1/4	1	1	1	1	1			
13	2	119578-33121	GASKET	1	1	1	1	1			
14	2	119578-33130	GASKET, LOC CORE	1	1	1	1	1			
15	1	119578-33150	SUPPORT	1	1	1	1	1			
16	1	26106-080202	BOLT, M8X 20 PLATED	6	6	6	6	6			
17	1	119578-33400	BOLT, M8X185	1	1	1	1	1			
18	1	22137-080000	WASHER, 8	7	7	7	7	7			
19	1	26116-081252	BOLT, M8X125 PLATED	4	4	4	4	4			
20	1	26116-081452	BOLT, M8X145 PLATED	2	2	2	2	2			
21	1	119578-34020	GASKET	1	1	1	1	1			
22	1	119578-34050	VALVE ASSY, CONTROL	1	1	1	1	1			
23	2	135310-34030	VALVE, CONTROL	1	1	1	1	1			
24	2	123672-34040	SPRING	1	1	1	1	1			
26	2	123672-34070	PLUG	1	1	1	1	1			
27	2	123672-34350	SHIM	3	3	3	3	3			
28	2	22190-100002	WASHER, SEAL 10	1	1	1	1	1			
29	2	23414-220000	GASKET, 22X1.0	1	1	1	1	1			
30	2	23871-010000	PLUG, R01	1	1	1	1	1			
31	2	23887-100002	PLUG, 10	1	1	1	1	1			
32	1	26106-080452	BOLT, M8X 45 PLATED	3	3	3	3	3			
33	1	26106-080502	BOLT, M8X 50 PLATED	1	1	1	1	1			
34	1	119593-35100	FILTER ASSY, OIL	1	1	1	1	1			
35	2	X0588530373	GASKET	1	1	1	1	1			
36	1	119578-35151	BRACKET	1	1	1	1	1			
37	1	119593-35150	BRACKET	1	1	1	1	1			
38	1	119593-35161	BRACKET	1	1	1	1	1			
39	1	119593-35400	FILTER, OIL	1	1	1	1	1			
40	2	X0588530373	GASKET	1	1	1	1	1			
41	1	26106-080252	BOLT, M8X 25 PLATED	2	2	2	2	2			
42	1	26106-080302	BOLT, M8X 30 PLATED	2	2	2	2	2			

Fig.18. LUB. OIL PUMP & PIPE

(A)=6LY3-ETP 24
 (B)=6LY3-STP 24
 (C)=6LY3-UTP 24

(D)=6LY3-STC 24
 (E)=6LY3-UTC 24
 (F)=

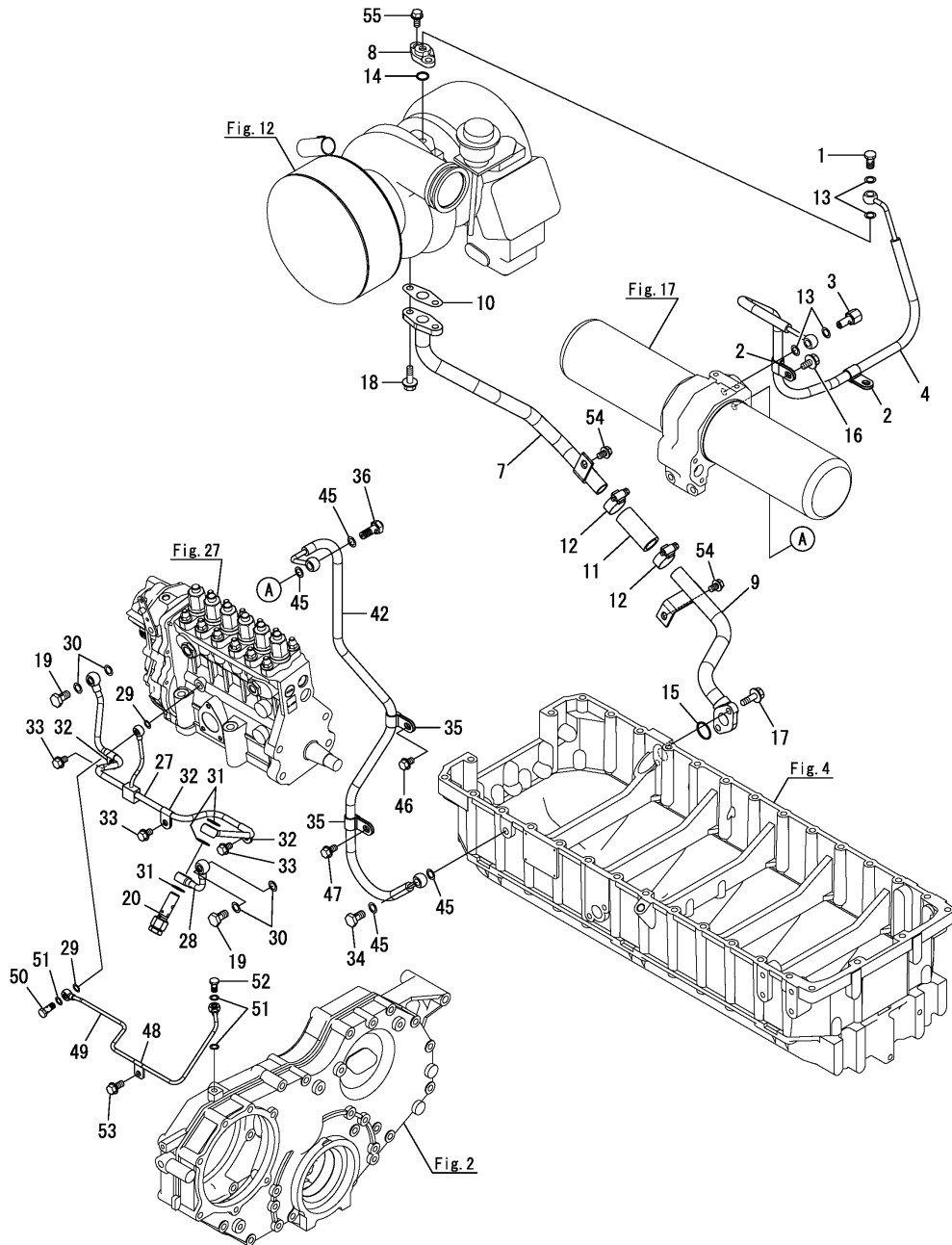


No.	Lev.	Parts No.	Description	Q'ty						I	R
				(A)	(B)	(C)	(D)	(E)	(F)		
1	1	124411-28400	PIN	2	2	2	2	2			
2	1	121950-28420	BOLT, M10X45	1	1	1	1	1			
3	1	119593-32001	PUMP ASSY, OIL	1	1	1	1	1			
4	1	119593-32500	GEAR ASSY, IDLE Z=29	1	1	1	1	1			
7	1	119593-32530	SHAFT, IDLE GEAR	1	1	1	1	1			
8	1	119593-32700	SHIM	2	2	2	2	2			
9	1	119593-32710	SHIM	2	2	2	2	2			
10	1	26106-100552	BOLT, M10X 55 PLATED	3	3	3	3	3			
11	1	119593-35191	PIPE ASSY, OIL INLET	1	1	1	1	1			
12	1	24314-000280	O-RING, 4CP28.0	1	1	1	1	1			
13	1	26013-080182	BOLT, M8X 18	2	2	2	2	2			
14	1	26106-080252	BOLT, M8X 25 PLATED	2	2	2	2	2			
15	1	119578-39100	PIPE, OIL	1	1	1	1	1			
16	1	119578-39121	PIPE, OIL	1	1	1	1	1			
17	1	119578-39141	PIPE, OIL	1	1	1	1	1			
18	1	119578-39170	PROTECTOR	1	1	1	1	1			
19	1	119578-39180	RETAINER	1	1	1	1	1			
20	1	119578-39200	RETAINER	1	1	1	1	1			
21	1	119578-39250	SUPPORT	1	1	1	1	1			
24	1	119578-39300	SUPPORT	1	1	1	1	1			
27	1	121750-59890	BAND, NYLON	2	2	2	2	2			
28	1	24314-000200	O-RING, 4CP20.0	1	1	1	1	1			
29	1	24324-000250	O-RING, 4CG25.0	1	1	1	1	1			
30	1	26106-060122	BOLT, M6X 12 PLATED	4	4	4	4	4			
31	1	26106-080122	BOLT, M8X 12 PLATED	1	1	1	1	1			
32	1	26106-080162	BOLT, M8X 16 PLATED	2	2	2	2	2			
33	1	26106-080202	BOLT, M8X 20 PLATED	1	1	1	1	1			
34	1	26106-080252	BOLT, M8X 25 PLATED	8	8	8	8	8			
35	1	26106-080502	BOLT, M8X 50 PLATED	2	2	2	2	2			
36	1	26106-080552	BOLT, M8X 55 PLATED	1	1	1	1	1			
37	1	119593-39151	PIPE ASSY, OIL	1	1	1	1	1			
38	1	24314-000200	O-RING, 4CP20.0	1	1	1	1	1			
39	1	26013-080182	BOLT, M8X 18	2	2	2	2	2			
40	1	26106-080252	BOLT, M8X 25 PLATED	2	2	2	2	2			
41	1	24314-000220	O-RING, 4CP22.0	4	4	4	4	4			

Fig.19. LUB. OIL PIPE(TURBINE)

(A)=6LY3-ETP 24
(B)=6LY3-STP 24
(C)=6LY3-UTP 24

(D)=6LY3-STC 24
(E)=6LY3-UTC 24
(F)=



No.	Lev.	Parts No.	Description	Q'ty						I	R
				(A)	(B)	(C)	(D)	(E)	(F)		
1	1	124160-39140	BOLT, PIPE JOINT M10	1	1	1	1	1			
2	1	119593-39450	RETAINER, PIPE	2	2	2	2	2			
3	1	119578-39560	BOLT, PIPE JOINT M10	1	1	1	1	1			
4	1	119578-39610	PIPE ASSY, OIL	1	1	1	1	1			
7	1	119578-39620	PIPE, OIL	1	1	1	1	1			
8	1	119593-39620	SPACER	1	1	1	1	1			
8-1	1	119593-39630	FLANGE, M10	1	1	1	1	1		R	
		(A=E/#0314) (B=E/#0316) (C=E/#0329) (D=E/#0372) (E=E/#0413)									
9	1	119578-39630	PIPE, OIL	1	1	1	1	1			
10	1	119578-39650	GASKET	1	1	1	1	1			
11	1	119574-39820	HOSE, RETURN	1	1	1	1	1			
12	1	119172-48280	CLIP, HOSE 28	2	2	2	2	2			
13	1	22190-100002	WASHER, SEAL 10	4	4	4	4	4			
14	1	24316-000200	O-RING, 4DP20.0	1	1	1	1	1			
15	1	24324-000250	O-RING, 4CG25.0	1	1	1	1	1			
16	1	26106-080162	BOLT, M8X 16 PLATED	1	1	1	1	1			
17	1	26106-080252	BOLT, M8X 25 PLATED	2	2	2	2	2			
18	1	26106-100222	BOLT, M10X 22 PLATED	2	2	2	2	2			
19	1	124160-39140	BOLT, PIPE JOINT M10	2	2	2	2	2			
20	1	119578-39420	VALVE ASSY, OVERFLOW	1	1	1	1	1			
27	1	119578-39520	PIPE ASSY, OIL	1	1	1	1	1			
27-1	1	119578-39521	PIPE ASSY, OIL	1	1	1	1	1		N	
		(A=*2009.02.) (B=*2009.02.) (C=*2009.02.) (D=*2009.02.) (E=*2009.02.)									
28	1	119578-39530	PIPE ASSY, OIL	1	1	1	1	1			
29	1	22190-080002	WASHER, SEAL 8	2	2	2	2	2			
30	1	22190-100002	WASHER, SEAL 10	4	4	4	4	4			
31	1	22190-140002	WASHER, SEAL 14	3	3	3	3	3			
32	1	23297-080081	CLAMP, A8X 8	3	3	3	3	3			
33	1	26106-080122	BOLT, M8X 12 PLATED	3	3	3	3	3			
34	1	124160-39140	BOLT, PIPE JOINT M10	1	1	1	1	1			
35	1	119593-39450	RETAINER, PIPE	3	3	3	3	3			
36	1	119575-39700	VALVE ASSY, CHECK	1	1	1	1	1			
36-1	1	119187-39700	VALVE ASSY, CHECK	1	1	1	1	1		R	
		(A=E/#0131) (B=E/#0187) (C=E/#0133) (D=E/#0240) (E=E/#0298)									
42	1	119578-39710	PIPE ASSY, OIL	1	1	1	1	1			
45	1	22190-100002	WASHER, SEAL 10	4	4	4	4	4			
46	1	26106-080122	BOLT, M8X 12 PLATED	2	2	2	2	2			
47	1	26106-080162	BOLT, M8X 16 PLATED	1	1	1	1	1			
48	1	105010-39150	RETAINER, PIPE	1	1	1	1	1			
49	1	119578-39600	PIPE, OIL	1	1	1	1	1			
50	1	119578-39770	BOLT, JOINT	1	1	1	1	1			
51	1	22190-080002	WASHER, SEAL 8	3	3	3	3	3			
52	1	23857-030000	BOLT, JOINT 3	1	1	1	1	1			
53	1	26106-060082	BOLT, M6X 8 PLATED	1	1	1	1	1			
54	1	26106-080122	BOLT, M8X 12 PLATED	2	2	2	2	2			
55	1	26106-080202	BOLT, M8X 20 PLATED	2	2	2	2	2			

Fig.20. OIL SUCTION/DRAIN PUMP(OPTIONAL)

(A)=6LY3-ETP 24
 (B)=6LY3-STP 24
 (C)=6LY3-UTP 24

(D)=6LY3-STC 24
 (E)=6LY3-UTC 24
 (F)=

No.	Lev.	Parts No.	Description	Q'ty						I	R
				(A)	(B)	(C)	(D)	(E)	(F)		
1	1	124413-39100	PUMP ASSY, WASTE	1	1	1	1	1			
2	1	120130-39990	HOSE,OIL DRAIN 3M	1	1	1	1	1			

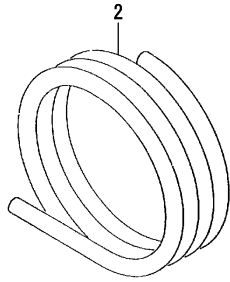
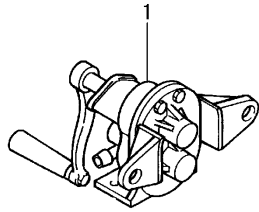
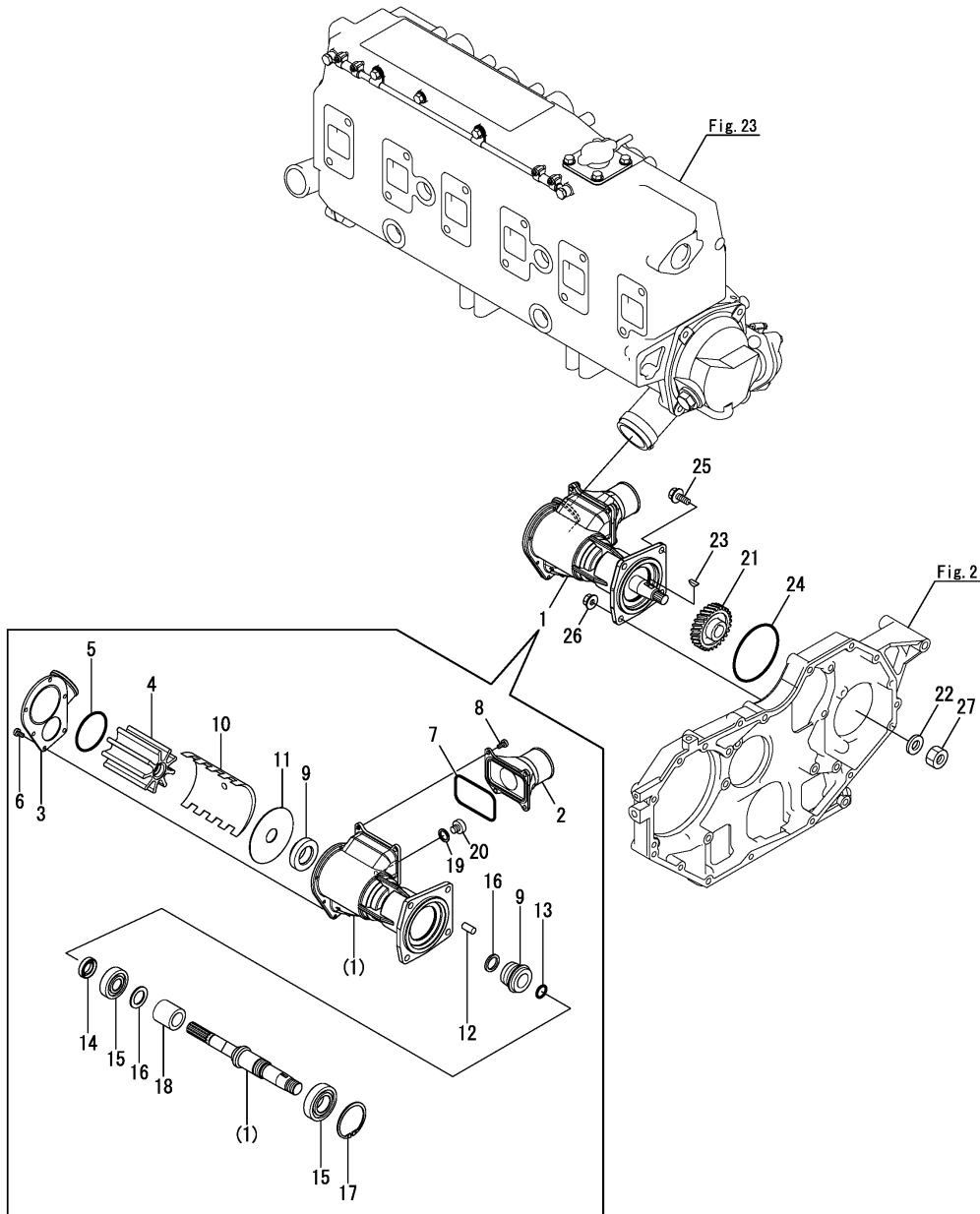


Fig.21. COOLING PUMP(SEA WATER)

(A)=6LY3-ETP 24
 (B)=6LY3-STP 24
 (C)=6LY3-UTP 24

(D)=6LY3-STC 24
 (E)=6LY3-UTC 24
 (F)=



No.	Lev.	Parts No.	Description	Q'ty						I	R
				(A)	(B)	(C)	(D)	(E)	(F)		
1	1	119578-42501	PUMP ASSY, WATER	1	1	1	1	1			
2	2	119578-42530	JOINT	1	1	1	1	1			
3	2	119578-42540	COVER, END	1	1	1	1	1			
4	2	119574-42552	IMPELLER	1	1	1	1	1			
5	2	119578-42560	O-RING	1	1	1	1	1			
6	2	119578-42570	SCREW	6	6	6	6	6			
7	2	119578-42580	O-RING	1	1	1	1	1			
7-1	2	119578-42581	O-RING	1	1	1	1	1		N	
		(A=*2009.09.)	(B=*2009.09.)	(C=*2009.09.)	(D=*2009.09.)	(E=*2009.09.)					
8	2	119578-42590	SCREW	4	4	4	4	4			
9	2	119578-42600	SEAL, MECHANICAL	1	1	1	1	1			
10	2	119578-42610	CAM, PUMP	1	1	1	1	1			
11	2	119578-42620	PLATE	1	1	1	1	1			
12	2	119578-42630	PIN	1	1	1	1	1			
13	2	119578-42640	O-RING	1	1	1	1	1			
14	2	119578-42650	SEAL, LIP	1	1	1	1	1			
15	2	119578-42660	BEARING	2	2	2	2	2			
16	2	119578-42670	RETAINER, SEAL	2	2	2	2	2			
17	2	119578-42680	RETAINER, BEARING	1	1	1	1	1			
18	2	119578-42690	SPACER	1	1	1	1	1			
19	2	119578-42700	WASHER	1	1	1	1	1			
20	2	119578-42720	SCREW	1	1	1	1	1			
21	1	119578-42520	GEAR	1	1	1	1	1			
22	1	22117-140000	WASHER, 14	1	1	1	1	1			
23	1	22522-050160	KEY, WOODRUFF 5X16	1	1	1	1	1			
24	1	24341-000850	O-RING, 1AS85.0	1	1	1	1	1			
25	1	26106-080202	BOLT, M8X 20 PLATED	2	2	2	2	2			
26	1	26306-080002	NUT, M8	2	2	2	2	2			
27	1	26736-140002	NUT, M14	1	1	1	1	1			

Fig.22. COOLING PUMP(FRESH WATER)

(A)=6LY3-ETP 24
 (B)=6LY3-STP 24
 (C)=6LY3-UTP 24

(D)=6LY3-STC 24
 (E)=6LY3-UTC 24
 (F)=

No.	Lev.	Parts No.	Description	Q'ty						I	R
				(A)	(B)	(C)	(D)	(E)	(F)		
1	1	119578-42003	PUMP ASSY, WATER	1	1	1	1	1			
3	2	119578-42021	COVER, PUMP	1	1	1	1	1			
6	2	119578-42050	GASKET, WATER PUMP	1	1	1	1	1			
7	2	119593-42120	FLANGE	1	1	1	1	1			
8	2	119578-42130	GASKET	1	1	1	1	1			
11	2	24321-000450	O-RING, 1AG45.0	1	1	1	1	1			
12	2	26106-080162	BOLT, M8X 16 PLATED	2	2	2	2	2			
13	2	26577-060202	SCREW, M6X20	2	2	2	2	2			
14	2	26577-080162	SCREW, M8X16	3	3	3	3	3			
15	1	119578-42100	PACKING, PUMP	1	1	1	1	1			
16	1	119578-42320	V-PULLEY	1	1	1	1	1			
17	1	26106-080802	BOLT, M8X 80 PLATED	3	3	3	3	3			
18	1	26106-080902	BOLT, M8X 90 PLATED	2	2	2	2	2			
19	1	26106-100162	BOLT, M10X 16 PLATED	4	4	4	4	4			
20	1	119578-42360	V-BELT, 54	2	2	2	2	2			
21	1	120270-42071	VALVE	1	1	1	1	1			
22	1	119172-48540	CLIP, HOSE 54	2	2	2	2	2			
23	1	127605-48590	THERMOSTAT, 71	1	1	1	1	1			
24	1	119578-49110	PACKING	1	1	1	1	1			
25	1	119578-49200	COVER, THERMOSTAT	1	1	1	1	1			
26	1	119578-49230	HOSE	1	1	1	1	1			
27	1	119578-49380	JOINT	1	1	1	1	1			
28	1	24311-000400	O-RING, 1AP40.0	1	1	1	1	1			
29	1	26106-080252	BOLT, M8X 25 PLATED	7	7	7	7	7			

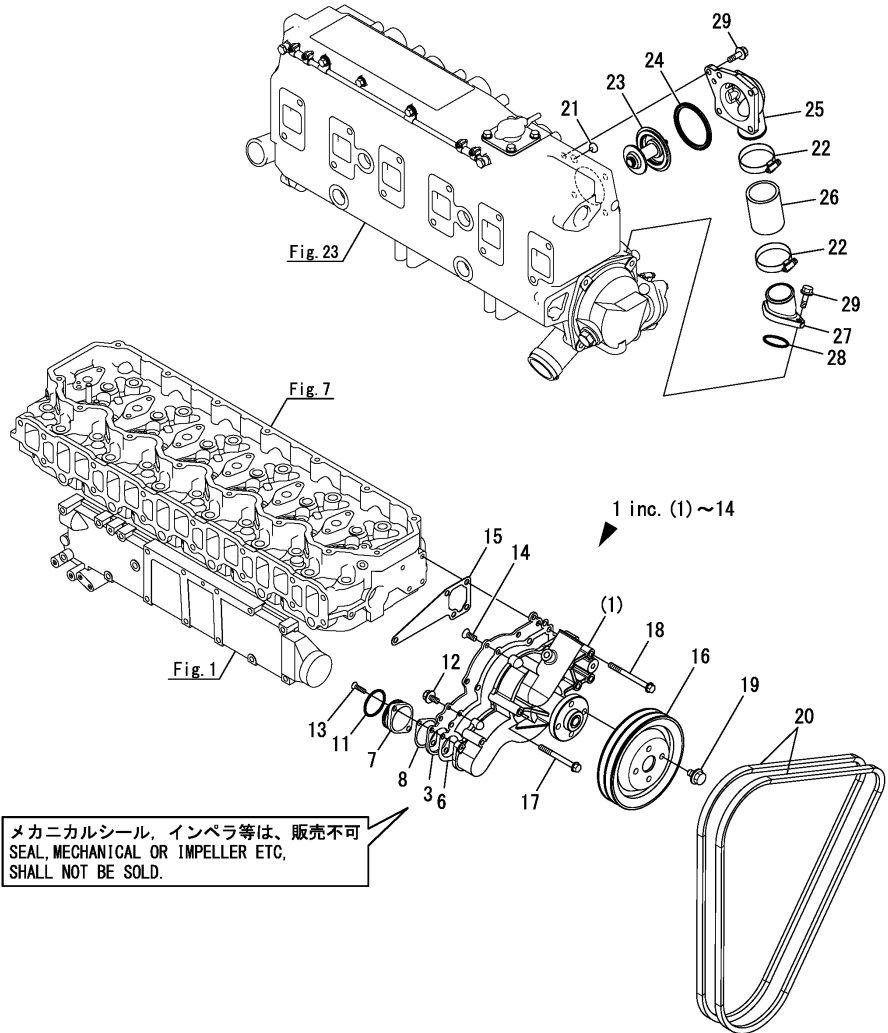
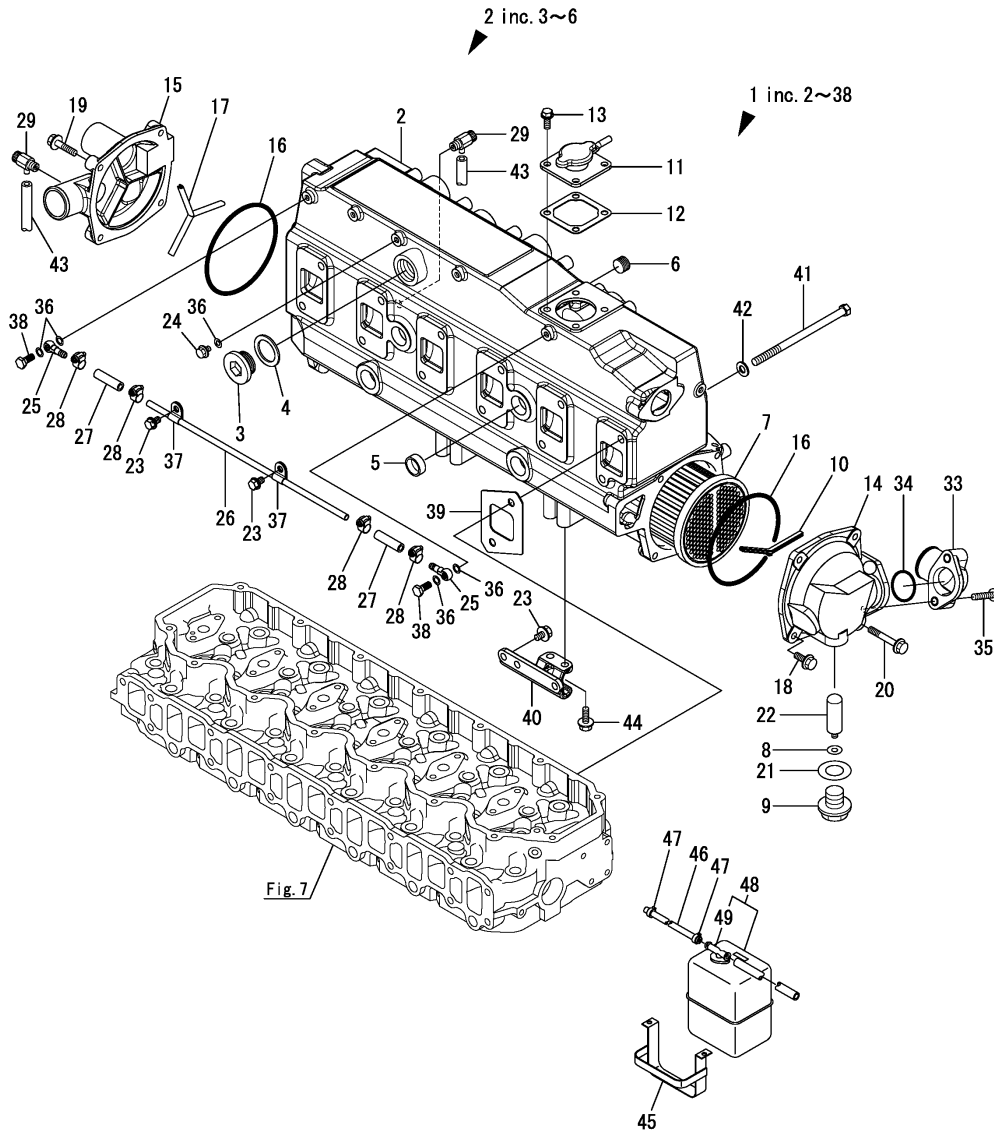


Fig.23. COOLER(FRESH WATER)

(A)=6LY3-ETP 24
(B)=6LY3-STP 24
(C)=6LY3-UTP 24

(D)=6LY3-STC 24
(E)=6LY3-UTC 24
(F)=

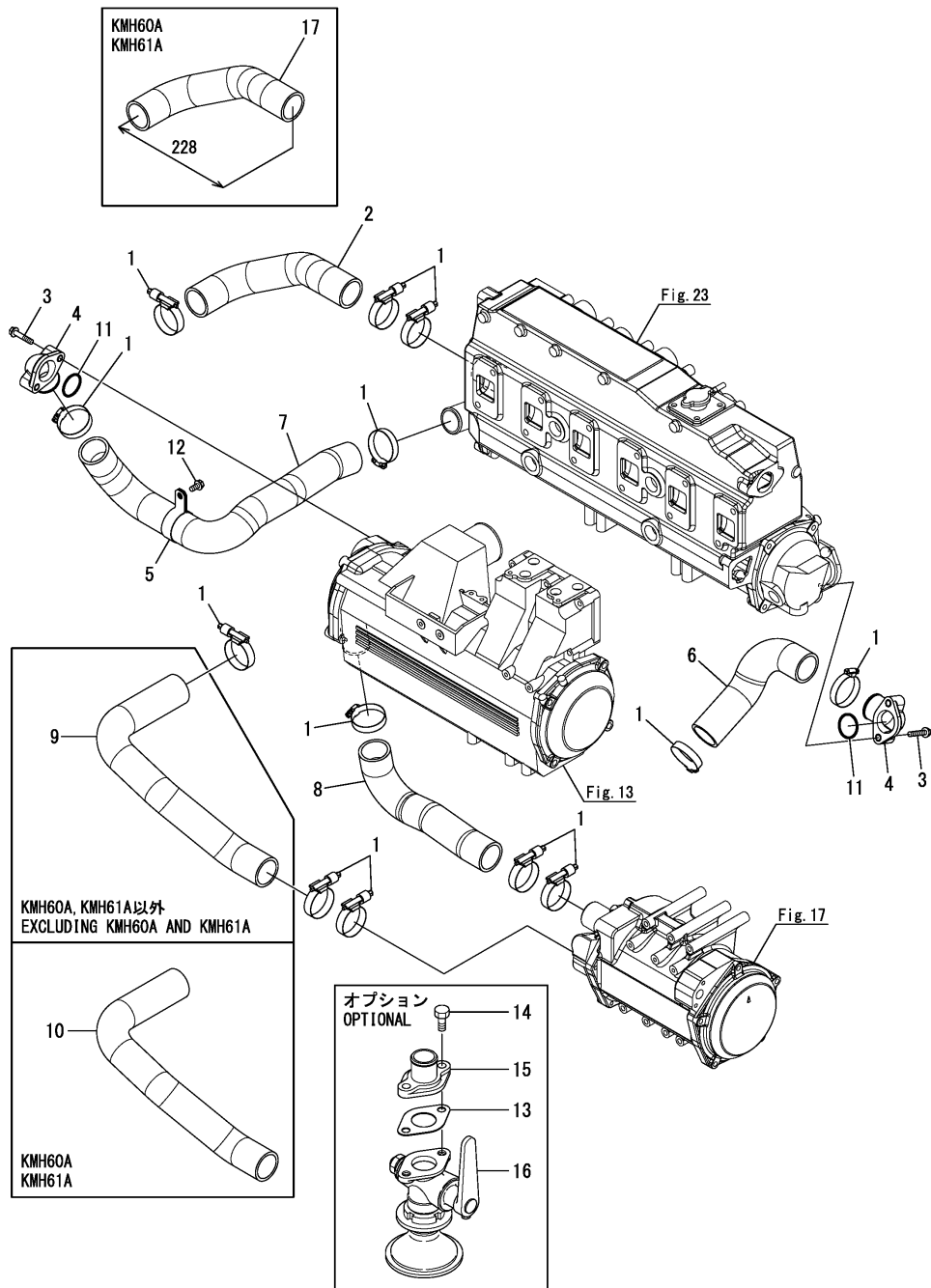


No.	Lev.	Parts No.	Description	Q'ty						I	R
				(A)	(B)	(C)	(D)	(E)	(F)		
1	1	719578-44100	COOLER ASSY, WATER	1	1	1	1	1			
2	2	119578-44100	BODY, COOLER	1	1	1	1	1			
3	3	127610-11750	PLUG, M3X1.5	4	4	4	4	4			
4	3	127610-11760	GASKET	4	4	4	4	4			
5	3	119773-13160	PLUG, 28	6	6	6	6	6			
6	3	23875-030000	PLUG, R03	2	2	2	2	2			
7	2	119578-44130	CORE	1	1	1	1	1			
8	2	123210-09310	GASKET	1	1	1	1	1			
9	2	119593-18370	PLUG	1	1	1	1	1			
10	2	119578-44430	GASKET, COVER	1	1	1	1	1			
11	2	128623-44210	FILLER ASSY	1	1	1	1	1			
12	2	120445-44640	GASKET	1	1	1	1	1			
13	2	26106-080202	BOLT, M8X 20 PLATED	4	4	4	4	4			
14	2	119578-44250	COVER	1	1	1	1	1			
15	2	119578-44280	COVER	1	1	1	1	1			
16	2	119578-44350	O-RING, D132	2	2	2	2	2			
17	2	119578-44420	GASKET, COVER	1	1	1	1	1			
18	2	26106-080252	BOLT, M8X 25 PLATED	3	3	3	3	3			
19	2	26106-080352	BOLT, M8X 35 PLATED	4	4	4	4	4			
20	2	26106-080552	BOLT, M8X 55 PLATED	1	1	1	1	1			
21	2	22190-240002	WASHER, SEAL 24	1	1	1	1	1			
22	2	27210-200200	ZINC, SCREW20X20	1	1	1	1	1			
23	2	26106-080162	BOLT, M8X 16 PLATED	6	6	6	6	6			
24	2	26106-080122	BOLT, M8X 12 PLATED	1	1	1	1	1			
25	2	104264-59030	JOINT, PIPE 8	2	2	2	2	2			
26	2	119578-44700	PIPE, WATER	1	1	1	1	1			
27	2	119595-44801	JOINT	2	2	2	2	2			
28	2	119172-48130	CLIP, HOSE 13	4	4	4	4	4			
29	2	119620-49290	COCK ASSY, 1/4	2	2	2	2	2			
33	2	119578-49350	BEND	1	1	1	1	1			
34	2	24311-000400	O-RING, 1AP40.0	1	1	1	1	1			
35	2	26106-080402	BOLT, M8X 40 PLATED	2	2	2	2	2			
36	2	22190-080002	WASHER, SEAL 8	5	5	5	5	5			
37	2	23297-080081	CLAMP, A8X 8	2	2	2	2	2			
38	2	23857-030000	BOLT, JOINT 3	2	2	2	2	2			
39	1	119578-13200	GASKET	6	6	6	6	6			
40	1	119578-44210	SUPPORT	2	2	2	2	2			
41	1	119578-13250	BOLT, M10X170	12	12	12	12	12			
42	1	22137-100000	WASHER, 10	12	12	12	12	12			
43	1	23061-070300	PIPE, 7X 300	2	2	2	2	2			
44	1	26106-080222	BOLT, M8X 22 PLATED	4	4	4	4	4			
45	1	119574-44560	BRACKET	1	1	1	1	1			
45-1	1	119593-44560	BRACKET, SUB TANK	1	1	1	1	1		R	
		(A=*2009.08.)	(B=*2009.08.)	(C=*2009.08.)	(D=*2009.08.)	(E=*2009.08.)					
46	1	124790-44560	PIPE, WATER L=1000	1	1	1	1	1			
47	1	23010-013000	CLAMP 13	2	2	2	2	2			
48	1	43230-556830	TANK ASSY, SUB	1	1	1	1	1			
49	2	X0225002201	CONDUCTION ASSY	1	1	1	1	1			

Fig.24. COOLING PIPE(SEA WATER)

(A)=6LY3-ETP 24
 (B)=6LY3-STP 24
 (C)=6LY3-UTP 24

(D)=6LY3-STC 24
 (E)=6LY3-UTC 24
 (F)=

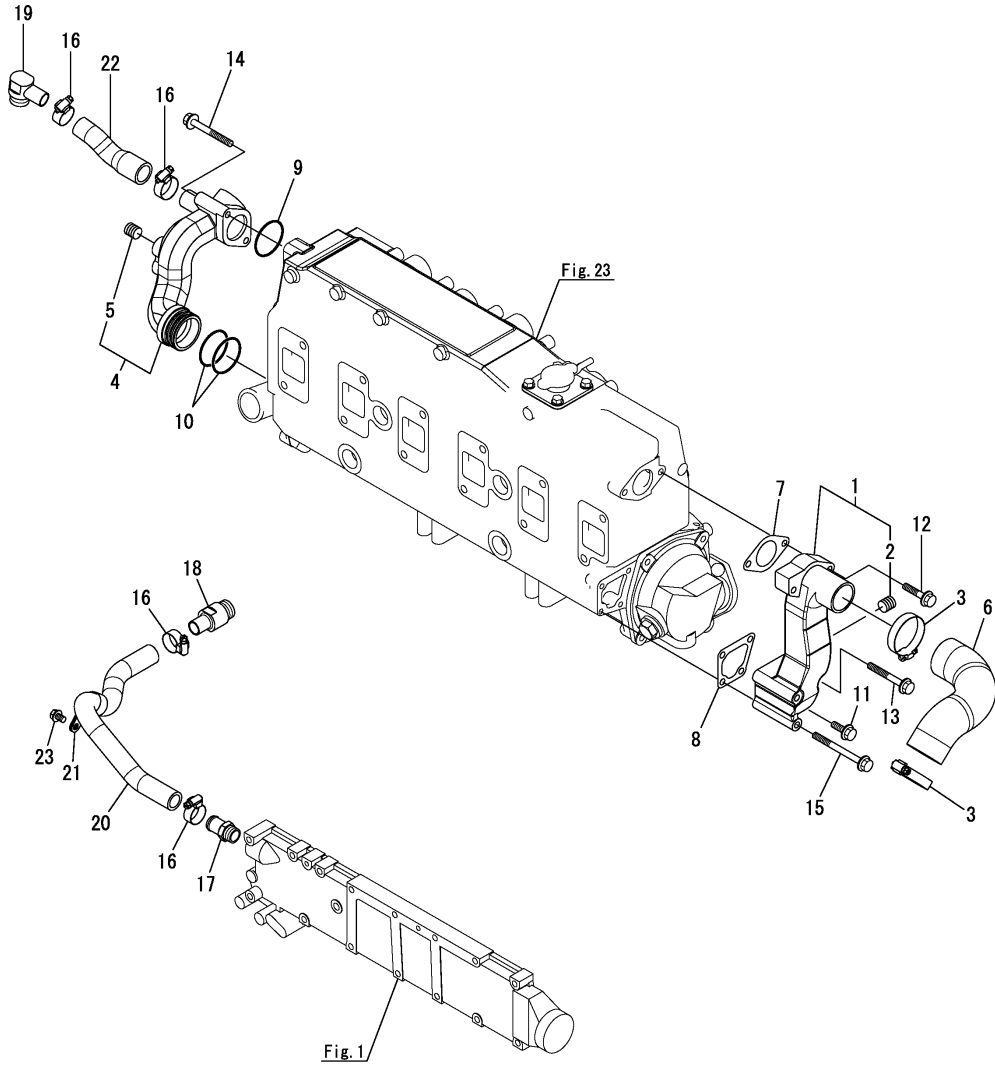


No.	Lev.	Parts No.	Description	Q'ty						I	R
				(A)	(B)	(C)	(D)	(E)	(F)		
1	1	119172-48540	CLIP, HOSE 54	13	13	13	13	13			
2	1	119578-49130	HOSE, RUBBER	1	1	1	1	1			
3	1	26106-080402	BOLT, M8X 40 PLATED	4	4	4	4	4			
4	1	119578-49350	BEND	2	2	2	2	2			
5	1	119578-49500	RETAINER	1	1	1	1	1			
6	1	119578-49520	HOSE, RUBBER	1	1	1	1	1			
7	1	119578-49530	HOSE, RUBBER	1	1	1	1	1			
8	1	119578-49650	HOSE, OIL COOLER	1	1	1	1	1			
9	1	119578-49660	HOSE, RUBBER	1	1	1	1	1			
10	1	119578-49670	HOSE, RUBBER	1	1	1	1	1			
11	1	24311-000400	O-RING, 1AP40.0	2	2	2	2	2			
12	1	26106-080162	BOLT, M8X 16 PLATED	1	1	1	1	1			
13	1	132310-49250	GASKET	1	1	1	1	1			
14	1	26204-120302	BOLT, M12X 30 PLATED	2	2	2	2	2			
15	1	43590-400090	JOINT, PIPE	1	1	1	1	1			
16	1	43662-040022	COCK, KINGSTON	1	1	1	1	1			
17	1	119578-49690	HOSE, RUBBER	1	1	1	1	1			

Fig.25. COOLING PIPE(FRESH WATER)

(A)=6LY3-ETP 24
 (B)=6LY3-STP 24
 (C)=6LY3-UTP 24

(D)=6LY3-STC 24
 (E)=6LY3-UTC 24
 (F)=



No.	Lev.	Parts No.	Description	Q'ty						I	R
				(A)	(B)	(C)	(D)	(E)	(F)		
1	1	119578-48100	BEND	1	1	1	1	1			
2	2	23875-030000	PLUG, R03	1	1	1	1	1			
3	1	119172-48540	CLIP, HOSE 54	2	2	2	2	2			
4	1	119578-49040	BEND	1	1	1	1	1			
5	2	23875-030000	PLUG, R03	1	1	1	1	1			
6	1	119578-49250	HOSE	1	1	1	1	1			
7	1	119578-49300	GASKET, BEND	1	1	1	1	1			
8	1	119578-49320	GASKET, BEND	1	1	1	1	1			
9	1	24311-000400	O-RING, 1AP40.0	1	1	1	1	1			
10	1	24311-000480	O-RING, 1AP48.0	2	2	2	2	2			
11	1	26106-080252	BOLT, M8X 25 PLATED	1	1	1	1	1			
12	1	26106-080402	BOLT, M8X 40 PLATED	2	2	2	2	2			
13	1	26106-080652	BOLT, M8X 65 PLATED	1	1	1	1	1			
14	1	26106-080702	BOLT, M8X 70 PLATED	2	2	2	2	2			
15	1	26106-080902	BOLT, M8X 90 PLATED	2	2	2	2	2			
16	1	119172-48280	CLIP, HOSE 28	4	4	4	4	4			
17	1	124195-49100	JOINT, HOSE	1	1	1	1	1			
18	1	119574-49321	JOINT	1	1	1	1	1			
19	1	119593-49320	JOINT	1	1	1	1	1			
20	1	119578-49360	HOSE	1	1	1	1	1			
21	1	119578-49390	SUPPORT	1	1	1	1	1			
22	1	119578-49460	HOSE	1	1	1	1	1			
23	1	26106-080122	BOLT, M8X 12 PLATED	1	1	1	1	1			

Fig.26. BILGE PUMP(OPTIONAL)

(A)=6LY3-ETP 24
 (B)=6LY3-STP 24
 (C)=6LY3-UTP 24

(D)=6LY3-STC 24
 (E)=6LY3-UTC 24
 (F)=

No.	Lev.	Parts No.	Description	Q'ty						I	R
				(A)	(B)	(C)	(D)	(E)	(F)		
1	1	977780-02411	PUMP ASSY, BILGE	1	1	1	1	1			
2	2	X0318121011	MOTOR ASSY, PUMP	1	1	1	1	1			
3	2	X158606402X	SWITH	1	1	1	1	1			
4	3	X8636008003	FUSE	1	1	1	1	1			
5	2	X179100022X	STRAINER	1	1	1	1	1			
6	2	X179100100X	PIPE ASSY	1	1	1	1	1			
7	2	X0044021509	HOSE A	1	1	1	1	1			
8	2	X199906101X	SCREW SET	1	1	1	1	1			
9	2	977780-03000	INPELLER	1	1	1	1	1			

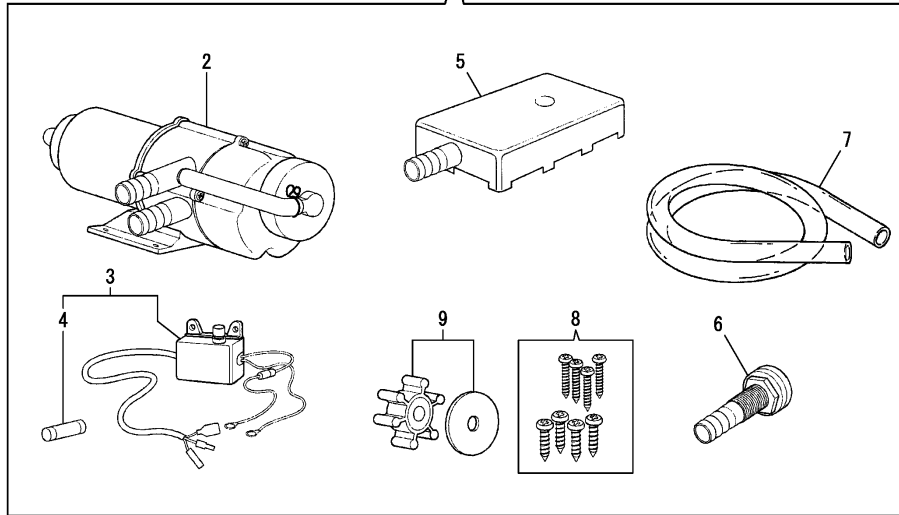
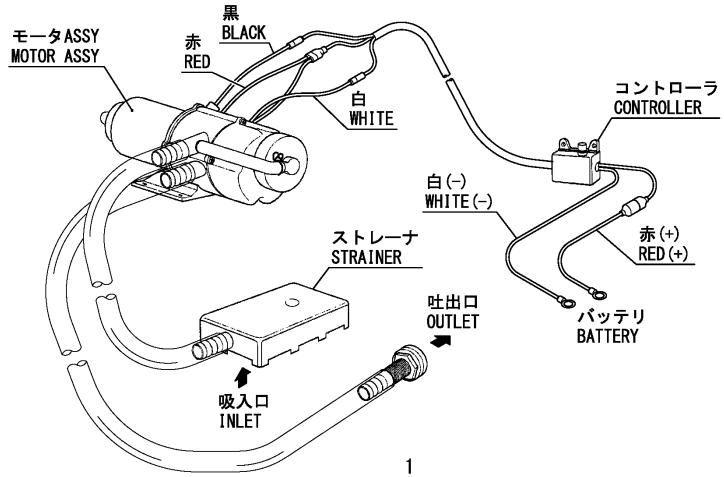
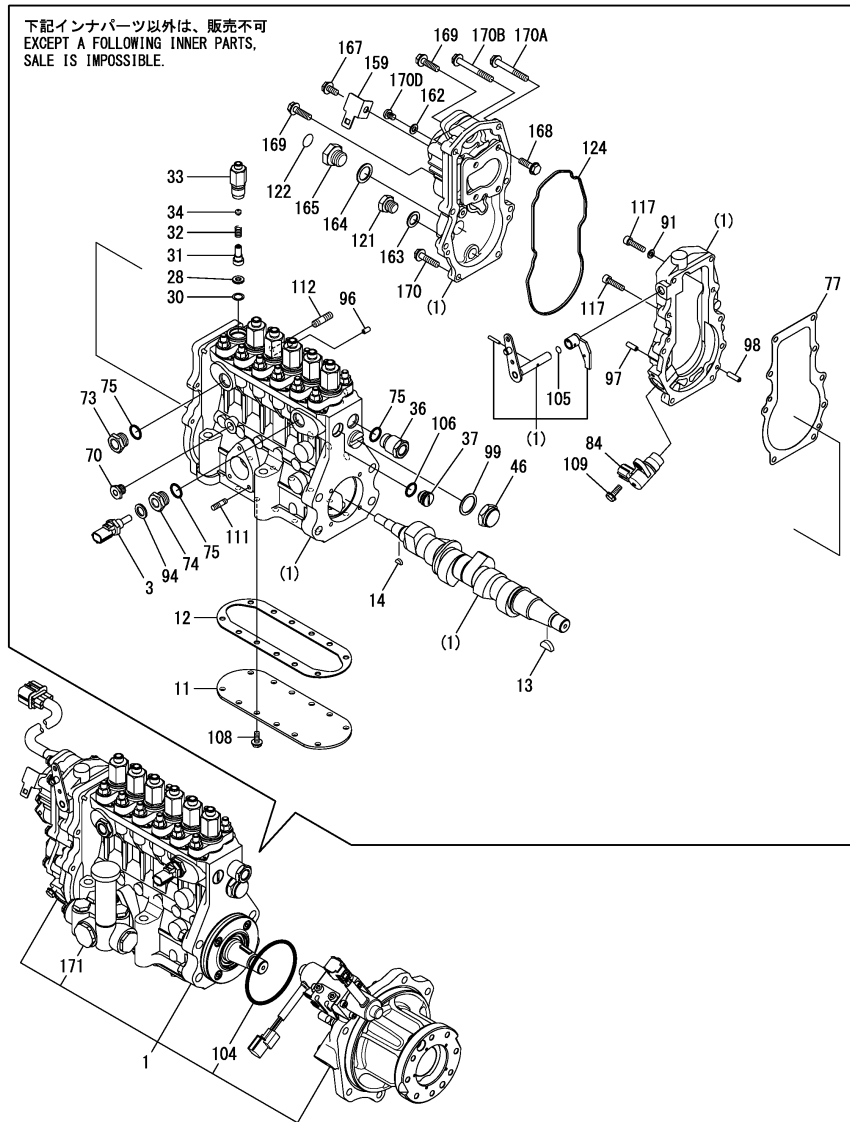


Fig.27. FUEL INJECTION PUMP & GOVERNOR

(A)=6LY3-ETP 24
(B)=6LY3-STP 24
(C)=6LY3-UTP 24

(D)=6LY3-STC 24
(E)=6LY3-UTC 24
(F)=



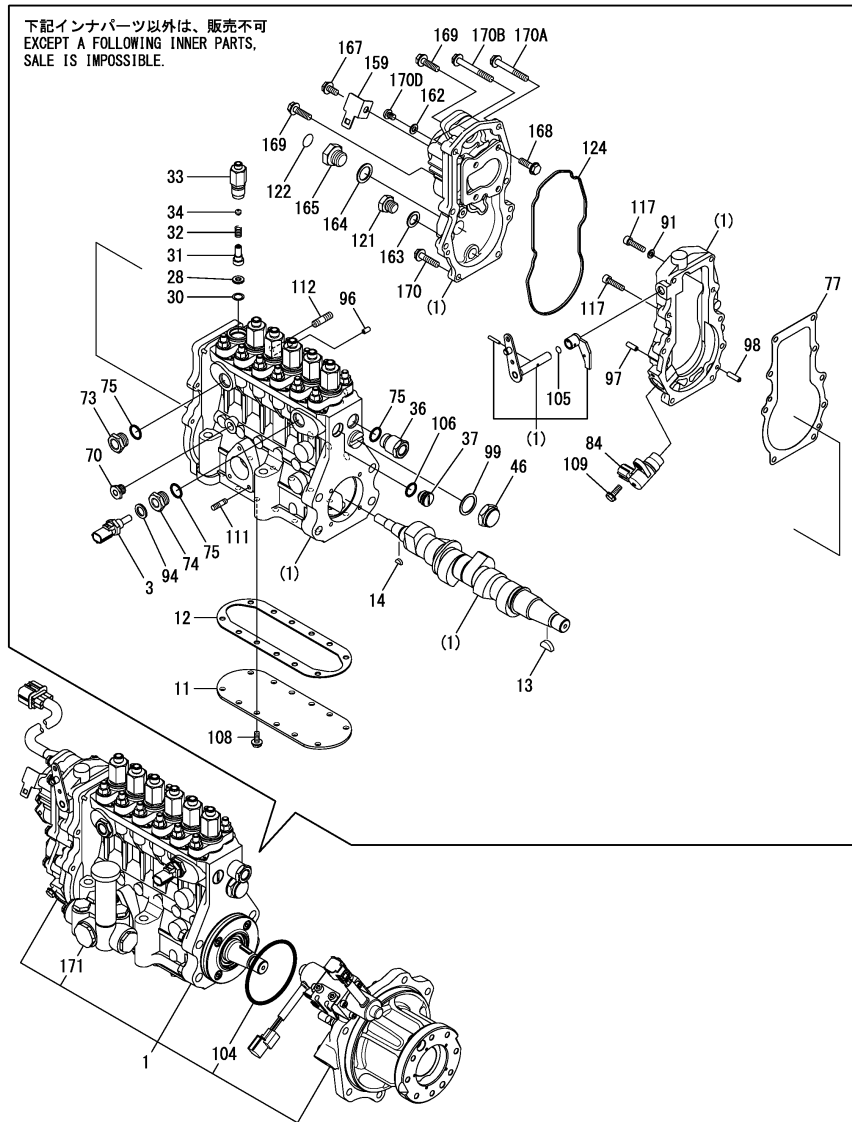
No.	Lev.	Parts No.	Description	Q'ty						I	R
				(A)	(B)	(C)	(D)	(E)	(F)		
1	1	719578-51330	PUMP ASSY, INJECTION	1							1
1A	1	719578-51340	PUMP ASSY, INJECTION		1		1				1
1B	1	719578-51350	PUMP ASSY, INJECTION			1		1			1
3	3	119254-44910	SENSOR, WATER TEMP.	1	1	1	1	1			
11	3	119593-51080	COVER	1	1	1	1	1			
12	3	119593-51090	GASKET	1	1	1	1	1			
13	3	144626-51090	FEATHER KEY, 5X19	1	1	1	1	1			
14	3	158553-51090	FEATHER KEY, 3X10	1	1	1	1	1			
28	3	119578-51280	SPACER	6	6	6	6	6			
30	3	119578-51290	GASKET, DELIVERY	6	6	6	6	6			
31	3	119578-51300	VALVE ASSY, DELIVERY	6	6	6	6	6			
32	3	119578-51330	SPRING, DELIVERY	6	6	6	6	6			
33	3	119578-51340	HOLDER, DELIVERY	6	6	6	6	6			
34	3	119578-51370	STOPPER, VALVE	6	6	6	6	6			
36	3	119578-51410	BUSH, M14XM18	1	1	1	1	1			
37	3	158600-51410	PLUG, DEFLECTOR	1	1	1	1	1			
46	3	119000-51550	COVER	1	1	1	1	1			
70	3	121850-51700	BUSH	1	1	1	1	1			
73	3	121952-51900	PLUG	1	1	1	1	1			
74	3	119578-51940	BUSH, M12XM18	1	1	1	1	1			
75	3	24356-190160	O-RING, 4D19016	3	3	3	3	3			
77	3	119578-61050	GASKET	1	1	1	1	1			
84	3	158557-61720	SENSOR	1	1	1	1	1			
91	3	22190-060002	WASHER, SEAL 6	1	1	1	1	1			
94	3	22190-120002	WASHER, SEAL 12	1	1	1	1	1			
96	3	22351-050010	PIN, SPRING 5.0X10	2	2	2	2	2			
97	3	22351-050016	PIN, SPRING 5.0X16	2	2	2	2	2			
98	3	22351-050016	PIN, SPRING 5.0X16	2	2	2	2	2			
99	3	23414-220029	GASKET, 22X1.0	1	1	1	1	1			
104	3	24327-000850	O-RING, 4EG85.0	1	1	1	1	1			
105	3	24341-000080	O-RING, 1AS8.0	1	1	1	1	1			
106	3	119717-51420	O-RING	1	1	1	1	1			
108	3	26106-060142	BOLT, M6X 14 PLATED	12	12	12	12	12			
109	3	26106-060162	BOLT, M6X 16 PLATED	1	1	1	1	1			
111	3	26216-060162	STUD, M6X 16	3	3	3	3	3			
111-1	3	129155-51020	BOLT, STUD	3	3	3	3	3			N
		(A=*2011.11.)	(B=*2011.11.)	(C=*2011.11.)	(D=*2011.11.)	(E=*2011.11.)					
112	3	26216-080202	STUD, M8X 20	3	3	3	3	3			
117	3	26450-060252	BOLT, M6X 25	2	2	2	2	2			
121	3	129054-42450	PLUG, M12X1.5	1	1	1	1	1			
122	3	124610-51970	LABEL	1	1	1	1	1			
124	3	129465-61071	GASKET	1	1	1	1	1			
159	3	119578-61881	BRACKET, CONNECTOR	1	1	1	1	1			
162	3	22190-060002	WASHER, SEAL 6	1	1	1	1	1			
163	3	22190-120002	WASHER, SEAL 12	1	1	1	1	1			
164	3	22190-160002	WASHER, SEAL 16	1	1	1	1	1			
165	3	23887-160002	PLUG, 16	1	1	1	1	1			
167	3	26106-060122	BOLT, M6X 12 PLATED	1	1	1	1	1			
168	3	26106-060202	BOLT, M6X 20 PLATED	4	4	4	4	4			
169	3	26106-060222	BOLT, M6X 22 PLATED	4	4	4	4	4			
170	3	26106-060252	BOLT, M6X 25 PLATED	6	6	6	6	6			

Remarks
* Eco pump
Make sure to update the engines ECU information when replacing the Eco pump.
Failing to do so will result in engine malfunction.
(1)Governor(Fig.27) & Fuel Feed Pump & Timer(Fig.28)
is incorporated in this Fuel Injection Pump(No.1).

Fig.27. FUEL INJECTION PUMP & GOVERNOR

(A)=6LY3-ETP 24
 (B)=6LY3-STP 24
 (C)=6LY3-UTP 24

(D)=6LY3-STC 24
 (E)=6LY3-UTC 24
 (F)=



No.	Lev.	Parts No.	Description	Q'ty						I	R
				(A)	(B)	(C)	(D)	(E)	(F)		
170A	3	26106-060452	BOLT, M6X 45 PLATED	1	1	1	1	1			
170B	3	26106-060502	BOLT, M6X 50 PLATED	1	1	1	1	1			
170D	3	26557-060082	SCREW, M6X 8	1	1	1	1	1			
171	2	127691-52010	PUMP, FUEL FEED	1	1	1	1	1			

Remarks

* Eco pump

Make sure to update the engines ECU information when replacing the Eco pump.

Failing to do so will result in engine malfunction.

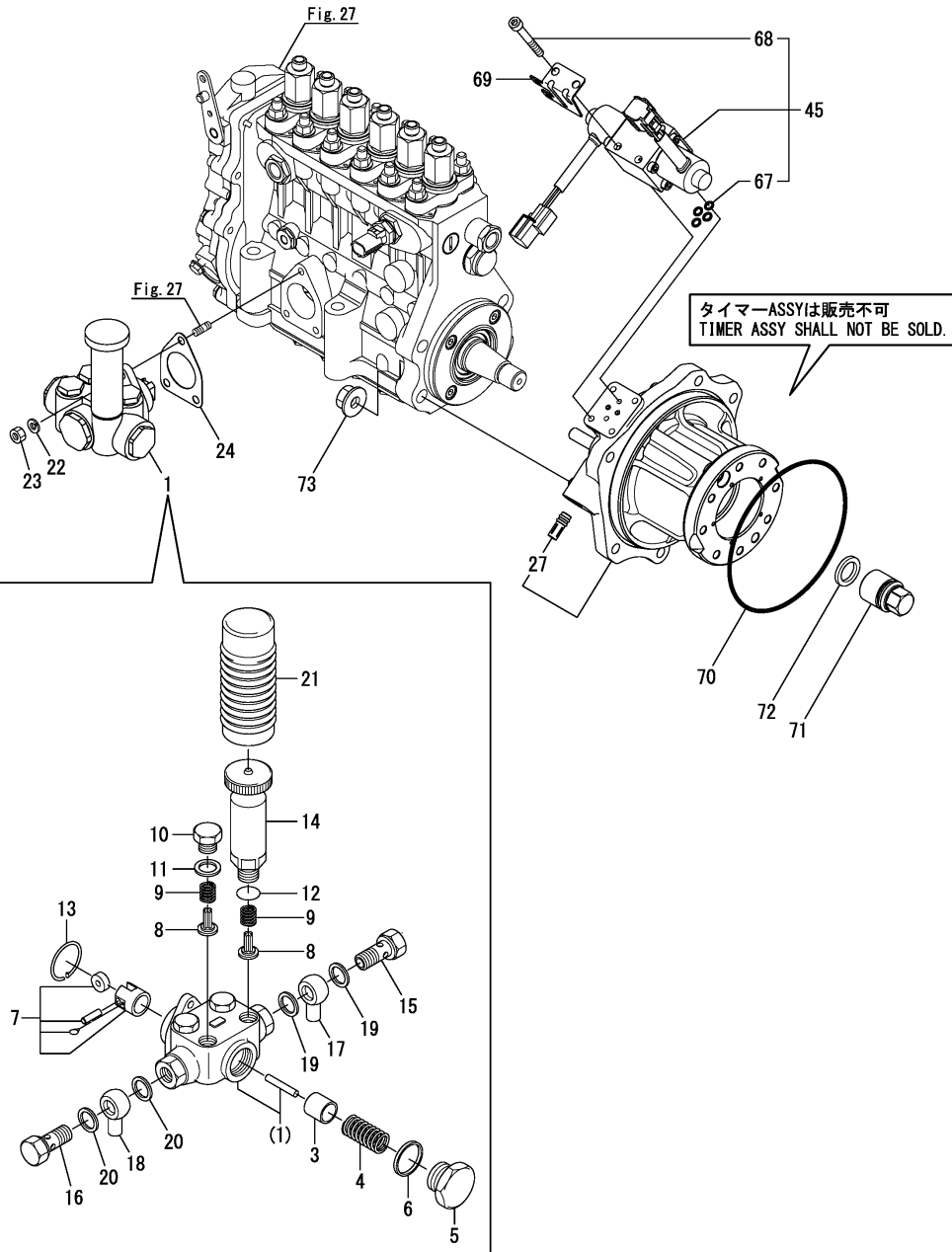
(1)Governor(Fig.27) & Fuel Feed Pump & Timer(Fig.28)

is incorporated in this Fuel Injection Pump(No.1).

Fig.28. FUEL FEED PUMP & TIMER

(A)=6LY3-ETP 24
(B)=6LY3-STP 24
(C)=6LY3-UTP 24

(D)=6LY3-STC 24
(E)=6LY3-UTC 24
(F)=

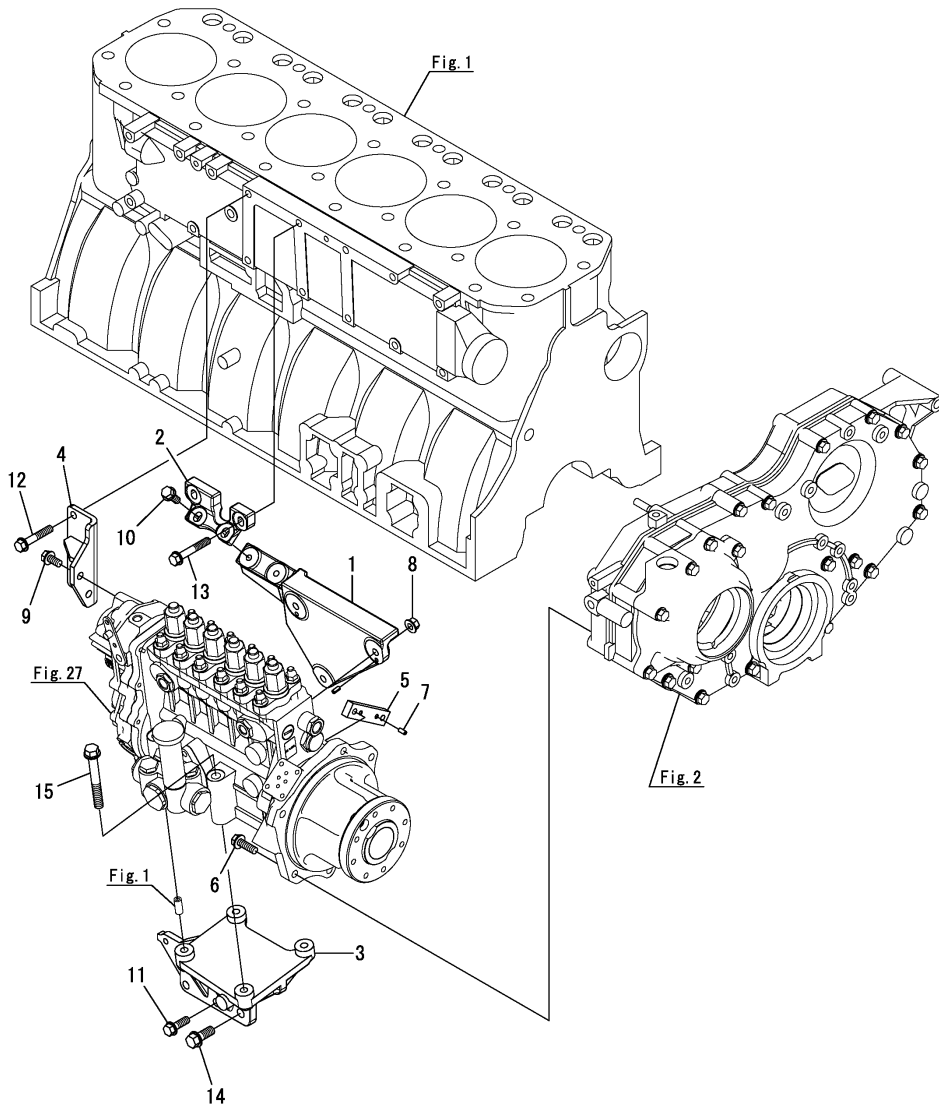


No.	Lev.	Parts No.	Description	Q'ty						I	R
				(A)	(B)	(C)	(D)	(E)	(F)		
1	2	127691-52010	PUMP, FUEL FEED	1	1	1	1	1			
3	3	X1521001120	PISTON	1	1	1	1	1			
4	3	X1521021300	SPRING, PISTON	1	1	1	1	1			
5	3	X1521051500	PLUG	1	1	1	1	1			
6	3	X0293326030	GASKET	1	1	1	1	1			
7	3	X1521114020	TAPPET	1	1	1	1	1			
8	3	X1521150500	VALVE	4	4	4	4	4			
9	3	X1521160200	SPRING	4	4	4	4	4			
10	3	X1521170100	PLUG	3	3	3	3	3			
11	3	X0293316030	GASKET	3	3	3	3	3			
12	3	X0296316060	O-RING	1	1	1	1	1			
13	3	X1521210400	RING, SNAP	1	1	1	1	1			
14	3	X1522006720	PRIMING PUMP	1	1	1	1	1			
15	3	X1523005920	BOLT	1	1	1	1	1			
16	3	X0297314680	EYE BOLT	1	1	1	1	1			
17	3	X0271141040	JOINT	1	1	1	1	1			
18	3	X0271141040	JOINT	1	1	1	1	1			
19	3	X0293314230	GASKET	2	2	2	2	2			
20	3	X0293314230	GASKET	2	2	2	2	2			
21	3	X1523200100	COVER	1	1	1	1	1			
22	2	22217-060000	WASHER, SPRING 6	3	3	3	3	3			
23	2	26716-060002	NUT, M6	3	3	3	3	3			
24	2	124410-51861	GASKET	1	1	1	1	1			
27	4	158563-51420	STRAINER	1	1	1	1	1			
45	3	119578-54400	VALVE, SOLENOID	1	1	1	1	1			
67	4	24316-000050	O-RING, 4DP5.0	4	4	4	4	4			
68	4	26450-060502	BOLT M 6X 50	4	4	4	4	4			
69	3	119578-54880	BRACKET, CONNECTOR	1	1	1	1	1			
70	3	24341-001350	O-RING, 1AS135.0	1	1	1	1	1			
71	2	119578-54900	NUT, CAP	1	1	1	1	1			
72	2	119578-54911	WASHER	1	1	1	1	1			
73	2	26306-100002	NUT, M10	4	4	4	4	4			

Fig.29. BRACKET(FUEL INJECTION PUMP)

(A)=6LY3-ETP 24
 (B)=6LY3-STP 24
 (C)=6LY3-UTP 24

(D)=6LY3-STC 24
 (E)=6LY3-UTC 24
 (F)=

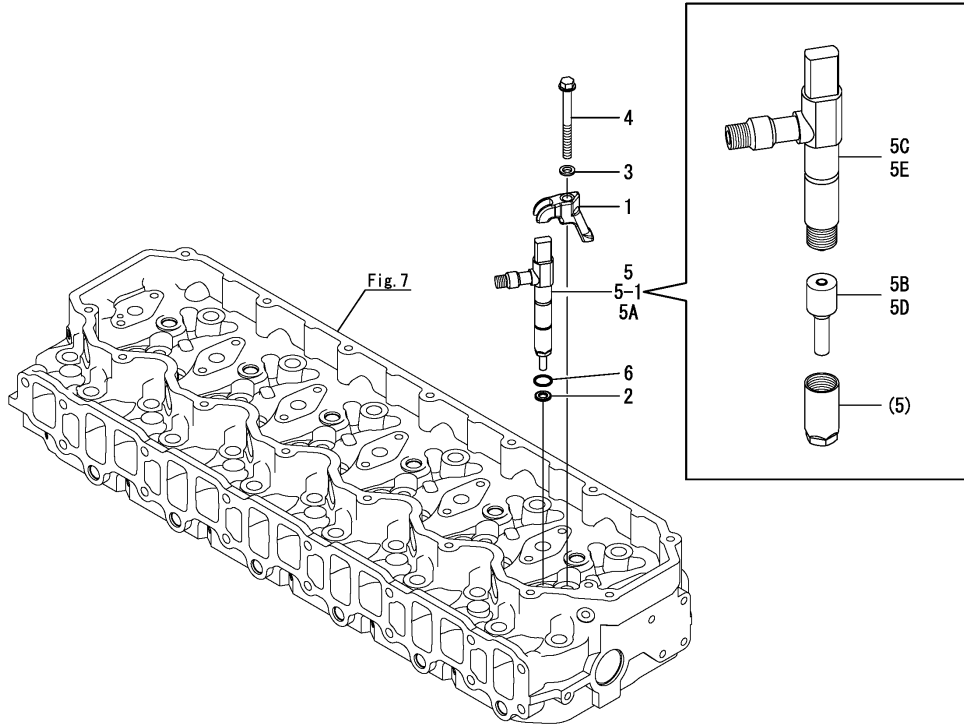


No.	Lev.	Parts No.	Description	Q'ty						I	R
				(A)	(B)	(C)	(D)	(E)	(F)		
1	1	119578-01820	RETAINER, PUMP	1	1	1	1	1			
2	1	119578-01840	RETAINER, PUMP	1	1	1	1	1			
3	1	119578-01861	BRACKET	1	1	1	1	1			
4	1	119578-01870	BRACKET	1	1	1	1	1			
5	1	119578-25930	RETAINER	1	1	1	1	1			
6	1	119005-77350	BOLT, M8X25	3	3	3	3	3			
7	1	22351-040010	PIN, SPRING 4.0X10	2	2	2	2	2			
8	1	26306-080002	NUT, M8	3	3	3	3	3			
9	1	26106-080162	BOLT, M8X 16 PLATED	2	2	2	2	2			
10	1	26106-080202	BOLT, M8X 20 PLATED	2	2	2	2	2			
11	1	26106-080252	BOLT, M8X 25 PLATED	4	4	4	4	4			
12	1	26106-080402	BOLT, M8X 40 PLATED	2	2	2	2	2			
13	1	26106-080502	BOLT, M8X 50 PLATED	2	2	2	2	2			
14	1	26106-100252	BOLT, M10X 25 PLATED	2	2	2	2	2			
15	1	26106-100802	BOLT, M10X 80 PLATED	4	4	4	4	4			

Fig.30. FUEL INJECTION VALVE

(A)=6LY3-ETP 24
 (B)=6LY3-STP 24
 (C)=6LY3-UTP 24

(D)=6LY3-STC 24
 (E)=6LY3-UTC 24
 (F)=

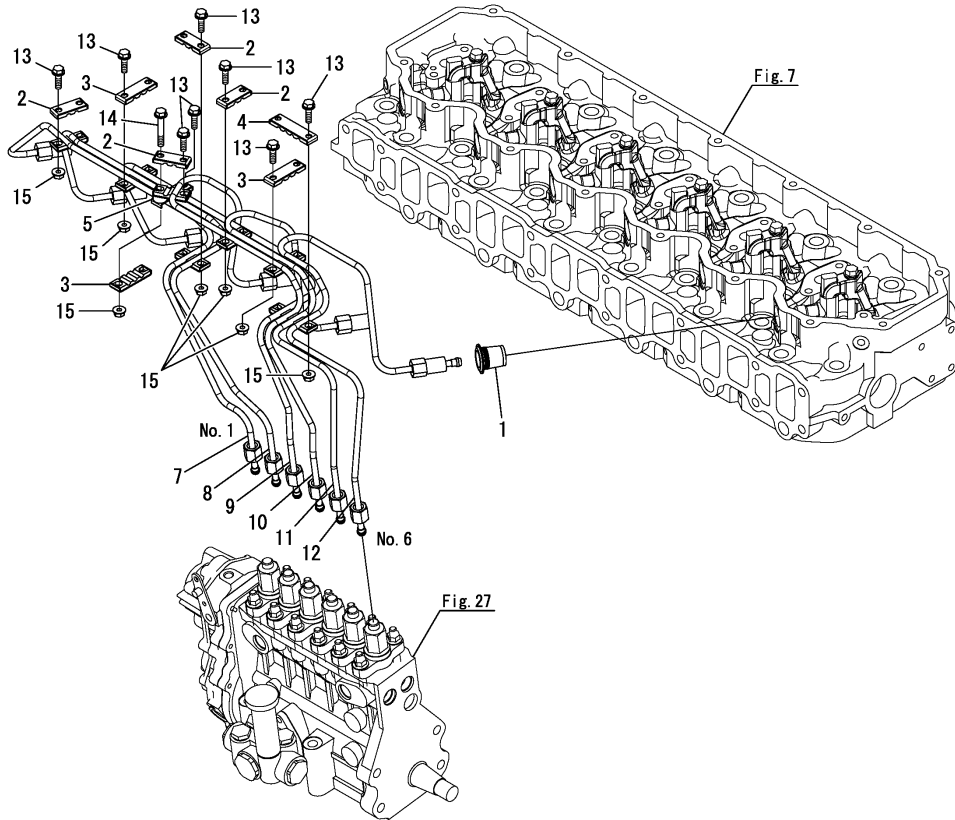


No.	Lev.	Parts No.	Description	Q'ty						I	R
				(A)	(B)	(C)	(D)	(E)	(F)		
1	1	119578-11790	RETAINER, NOZZLE	6	6	6	6	6			
2	1	119578-11871	GASKET, NOZZLE	6	6	6	6	6			
3	1	127616-11920	WASHER	6	6	6	6	6			
4	1	119802-13670	BOLT, M8X85	6	6	6	6	6			
4-1	1	119802-13671	BOLT, M8X85 10.9T	6	6	6	6	6		N	
		(A=E/#1274) (B=E/#1259) (C=E/#1263) (D=E/#1290)		(E=E/#1307)							
5	1	119578-53700	VALVE ASSY,INJECTION	6	6			6			
5-1	1	119578-53701	VALVE ASSY,INJECTION	6	6			6		N	
		(A=E/#0314) (B=E/#0316) (D=E/#0372)									
5A	1	119578-53710	VALVE ASSY,INJECTION			6			6		
5B	2	119578-53730	NOZZLE ASSY, FUEL	6	6			6			
5C	2	119578-53740	HOLDER ASSY, NOZZLE	6	6			6			
5D	2	119578-53760	NOZZLE ASSY, FUEL			6			6		
5E	2	119578-53770	HOLDER ASSY, NOZZLE			6			6		
6	1	24316-000150	O-RING, 4DP15.0	6	6	6	6	6	6		

Fig.31. FUEL INJECTION PIPE

(A)=6LY3-ETP 24
 (B)=6LY3-STP 24
 (C)=6LY3-UTP 24

(D)=6LY3-STC 24
 (E)=6LY3-UTC 24
 (F)=

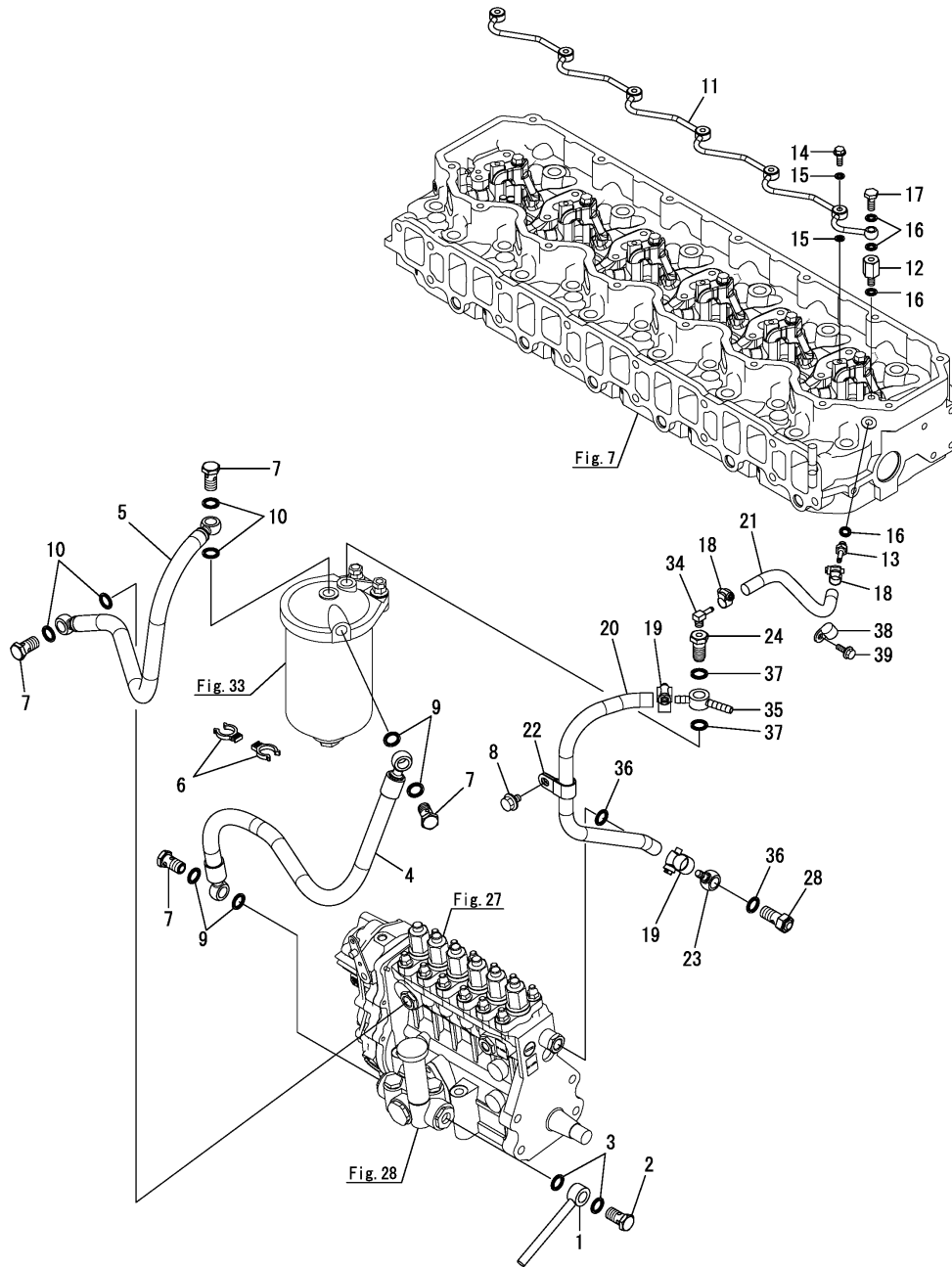


No.	Lev.	Parts No.	Description	Q'ty						I	R
				(A)	(B)	(C)	(D)	(E)	(F)		
1	1	127881-11420	SEAL	6	6	6	6	6			
2	1	122780-59100	RETAINER	8	8	8	8	8			
3	1	123372-59100	RETAINER, PIPE	6	6	6	6	6			
4	1	123472-59120	RETAINER, PIPE	2	2	2	2	2			
5	1	119578-59500	SPACER	1	1	1	1	1			
7	1	119578-59710	PIPE ASSY, INJECTION	1	1	1	1	1			
8	1	119578-59720	PIPE ASSY, INJECTION	1	1	1	1	1			
9	1	119578-59730	PIPE ASSY, INJECTION	1	1	1	1	1			
10	1	119578-59740	PIPE ASSY, INJECTION	1	1	1	1	1			
11	1	119578-59750	PIPE ASSY, INJECTION	1	1	1	1	1			
12	1	119578-59760	PIPE ASSY, INJECTION	1	1	1	1	1			
13	1	26106-060202	BOLT, M6X 20 PLATED	14	14	14	14	14			
14	1	26106-060402	BOLT, M6X 40 PLATED	1	1	1	1	1			
15	1	26366-060002	NUT, M6	11	11	11	11	11			

Fig.32. FUEL PIPE

(A)=6LY3-ETP 24
(B)=6LY3-STP 24
(C)=6LY3-UTP 24

(D)=6LY3-STC 24
(E)=6LY3-UTC 24
(F)=

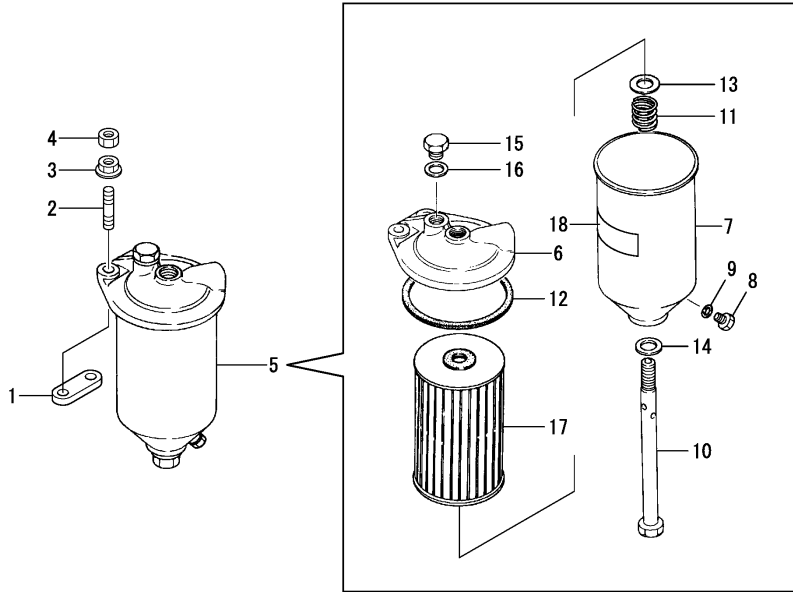


No.	Lev.	Parts No.	Description	Q'ty						I	R
				(A)	(B)	(C)	(D)	(E)	(F)		
1	1	123325-59420	PIPE ASSY, FUEL	1	1	1	1	1			
2	1	148616-59430	BOLT, M14X26	1	1	1	1	1			
3	1	23414-140000	GASKET, 14X1.0	2	2	2	2	2			
4	1	119578-59010	PIPE ASSY, FUEL	1	1	1	1	1			
5	1	119578-59020	PIPE ASSY, FUEL	1	1	1	1	1			
6	1	119578-59080	CLAMP	4	4	4	4	4			
7	1	148616-59430	BOLT, M14X26	4	4	4	4	4			
8	1	26106-080122	BOLT, M8X 12 PLATED	1	1	1	1	1			
9	1	22190-140002	WASHER, SEAL 14	4	4	4	4	4			
10	1	22190-140002	WASHER, SEAL 14	4	4	4	4	4			
11	1	119578-59170	PIPE ASSY, FUEL	1	1	1	1	1			
12	1	119578-59220	BOLT	1	1	1	1	1			
13	1	123907-59560	JOINT, HOSE	1	1	1	1	1			
14	1	119578-59610	BOLT, JOINT M6	6	6	6	6	6			
15	1	22190-060002	WASHER, SEAL 6	12	12	12	12	12			
16	1	22190-080002	WASHER, SEAL 8	4	4	4	4	4			
17	1	23857-030000	BOLT, JOINT 3	1	1	1	1	1			
18	1	119172-48130	CLIP, HOSE 13	2	2	2	2	2			
19	1	119172-48190	CLIP, HOSE 19	2	2	2	2	2			
20	1	119173-59122	PIPE, FUEL	1	1	1	1	1			
21	1	119187-59562	PIPE, FUEL	1	1	1	1	1			
22	1	128377-59860	RETAINER	1	1	1	1	1			
23	1	121750-59910	JOINT, BALL	1	1	1	1	1			
24	1	119593-59920	VALVE ASSY, CHECK	1	1	1	1	1			
28	1	119575-59950	VALVE ASSY, CHECK	1	1	1	1	1			
28-1	1	119595-59950	VALVE ASSY, CHECK	1	1	1	1	1		R	
		(A=E/#0918)	(B=E/#0920)	(C=E/#0928)	(D=E/#0976)	(E=E/#1074)					
34	1	119593-59960	ELBOW, PT1/8	1	1	1	1	1			
35	1	119574-59980	JOINT, PIPE	1	1	1	1	1			
36	1	22190-140002	WASHER, SEAL 14	2	2	2	2	2			
37	1	22190-140002	WASHER, SEAL 14	2	2	2	2	2			
38	1	119593-39450	RETAINER, PIPE	1	1	1	1	1			
39	1	26106-080122	BOLT, M8X 12 PLATED	1	1	1	1	1			

Fig.33. FUEL FILTER

(A)=6LY3-ETP 24
 (B)=6LY3-STP 24
 (C)=6LY3-UTP 24

(D)=6LY3-STC 24
 (E)=6LY3-UTC 24
 (F)=

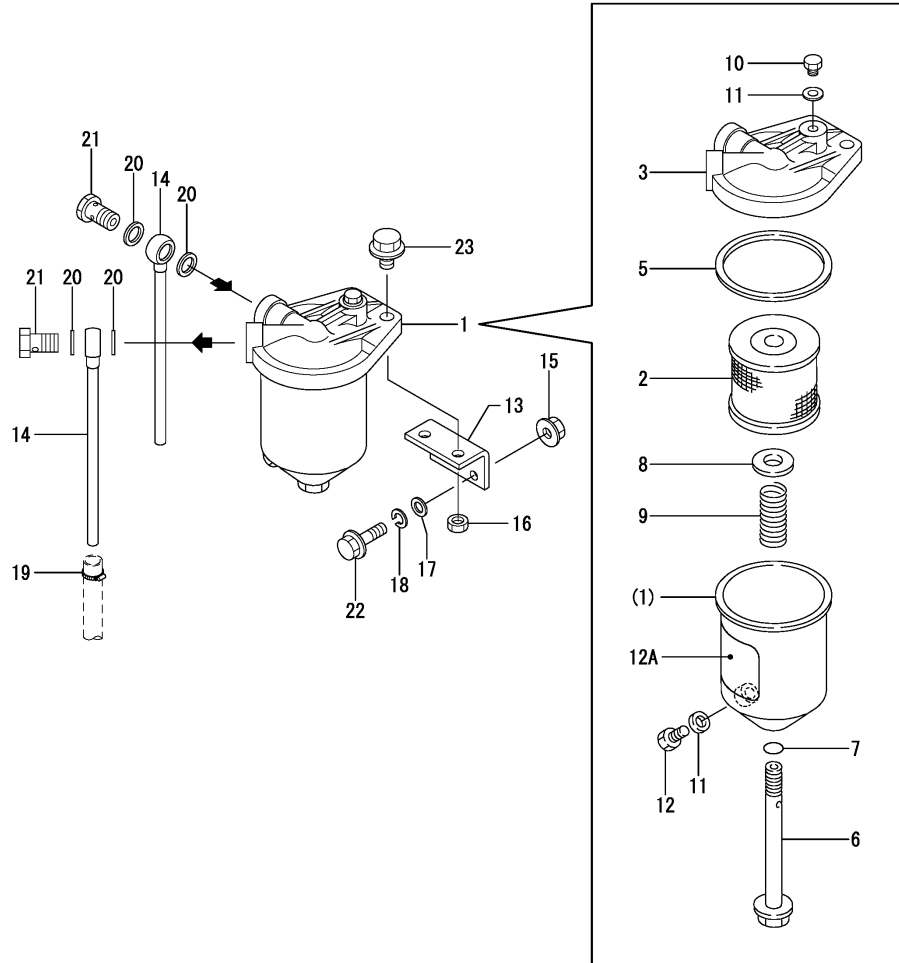


No.	Lev.	Parts No.	Description	Q'ty						I	R
				(A)	(B)	(C)	(D)	(E)	(F)		
1	1	119173-55700	RUBBER	1	1	1	1	1			
2	1	119578-55530	STUD, M10X50	2	2	2	2	2			
3	1	26306-100002	NUT, M10	2	2	2	2	2			
4	1	26756-100002	NUT, LOCK M10	2	2	2	2	2			
5	1	41650-550310	STRAINER, FUEL	1	1	1	1	1			
6	2	123678-55700	COVER	1	1	1	1	1			
7	2	123678-55720	CASE	1	1	1	1	1			
8	2	123672-55750	PLUG, DRAIN M8	1	1	1	1	1			
9	2	123672-55760	GASKET	1	1	1	1	1			
10	2	123678-55770	BOLT	1	1	1	1	1			
11	2	123678-55790	SPRING, SET	1	1	1	1	1			
12	2	123678-55850	GASKET	1	1	1	1	1			
13	2	123678-55860	SEAT, SPRING D30/16	1	1	1	1	1			
14	2	123678-55870	GASKET	1	1	1	1	1			
15	2	123678-55880	PLUG, M14	1	1	1	1	1			
16	2	123678-55890	GASKET, PLUG	1	1	1	1	1			
17	2	41650-550810	STRAINER	1	1	1	1	1			
18	2	41650-501180	LABEL, CAUTION	1	1	1	1	1		W	
				(A=E/#0405)	(B=E/#0547)	(C=E/#0504)	(D=E/#0395)	(E=E/#0528)			

Fig.34. WATER SEPARATOR(OPTIONAL)

(A)=6LY3-ETP 24
 (B)=6LY3-STP 24
 (C)=6LY3-UTP 24

(D)=6LY3-STC 24
 (E)=6LY3-UTC 24
 (F)=

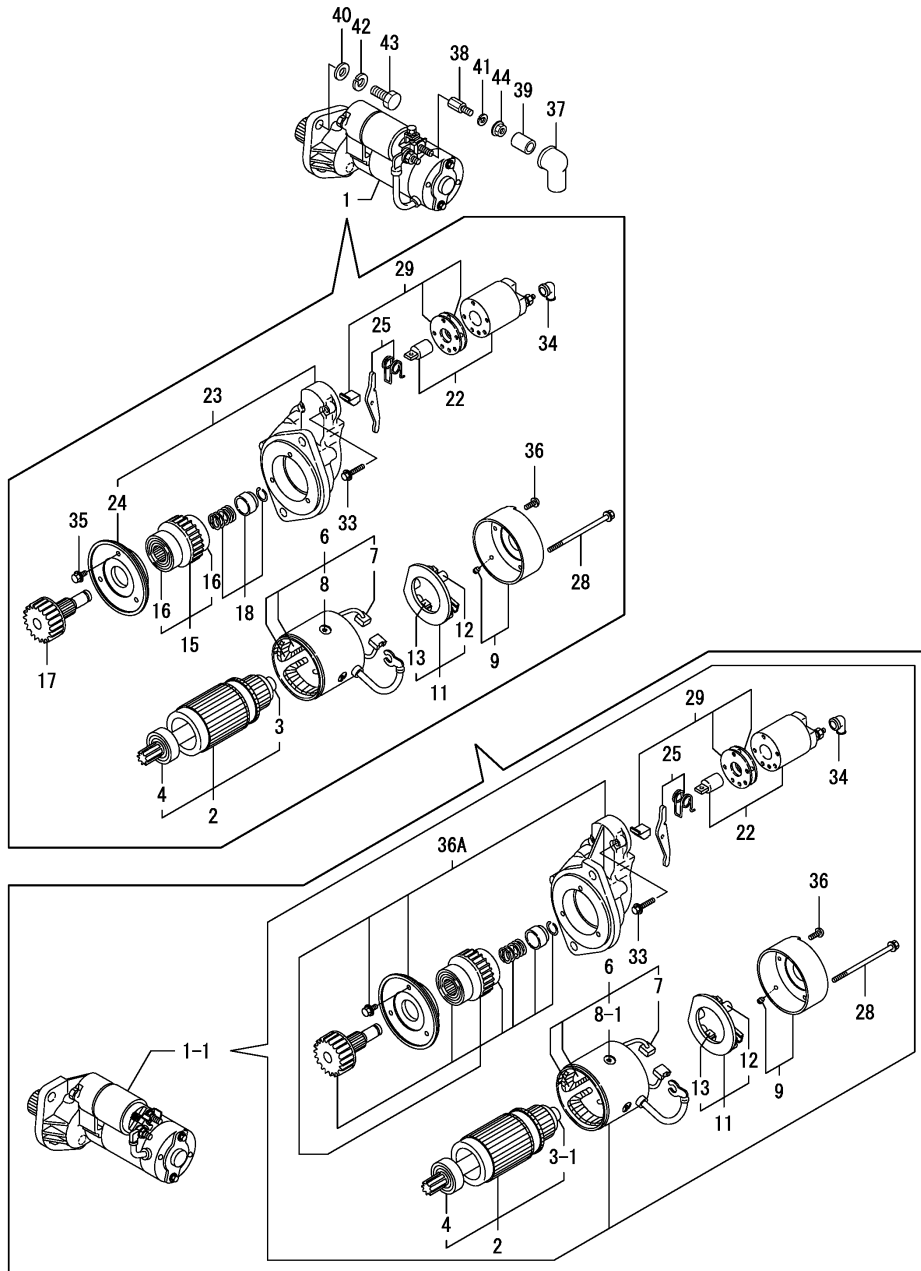


No.	Lev.	Parts No.	Description	Q'ty						I	R
				(A)	(B)	(C)	(D)	(E)	(F)		
1	1	120324-55751	SEPARATOR ASSY	1	1	1	1	1			
2	2	120324-55760	ELEMENT	1	1	1	1	1			
3	2	X2740134002	COVER ASSY	1	1	1	1	1			
5	2	X0582810173	GASKET	1	1	1	1	1			
6	2	X0311121522	BOLT	1	1	1	1	1			
7	2	X0580121073	O-RING, 1A P 12.0	1	1	1	1	1			
8	2	X0300120414	SEAT, SPRING	1	1	1	1	1			
9	2	X0600160122	SPRING	1	1	1	1	1			
10	2	X0314080110	PLUG	1	1	1	1	1			
11	2	X0588080273	WASHER	2	2	2	2	2			
12	2	X0313080922	BOLT	1	1	1	1	1			
12A	2	X0993071171	LABEL, CAUTION	1	1	1	1	1			
13	1	123672-55811	BRACKET	1	1	1	1	1			
14	1	123325-59420	PIPE ASSY, FUEL	2	2	2	2	2			
15	1	26306-080002	NUT, M8	2	2	2	2	2			
16	1	26706-100002	NUT, M10	2	2	2	2	2			
17	1	22137-080000	WASHER, 8	2	2	2	2	2			
18	1	22217-080000	WASHER, SPRING 8	2	2	2	2	2			
19	1	119172-48190	CLIP, HOSE 19	2	2	2	2	2			
20	1	23414-140000	GASKET, 14X1.0	4	4	4	4	4			
21	1	23857-080000	BOLT, JOINT 8	2	2	2	2	2			
22	1	26106-080402	BOLT, M8X 40 PLATED	2	2	2	2	2			
23	1	26106-100202	BOLT, M10X 20 PLATED	2	2	2	2	2			

Fig.35. STARTER MOTOR

(A)=6LY3-ETP 24
(B)=6LY3-STP 24
(C)=6LY3-UTP 24

(D)=6LY3-STC 24
(E)=6LY3-UTC 24
(F)=

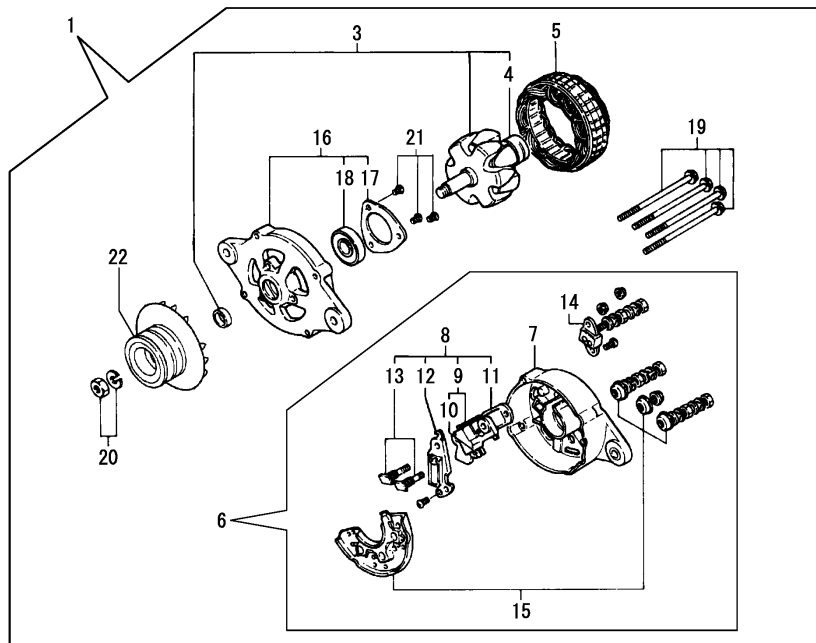
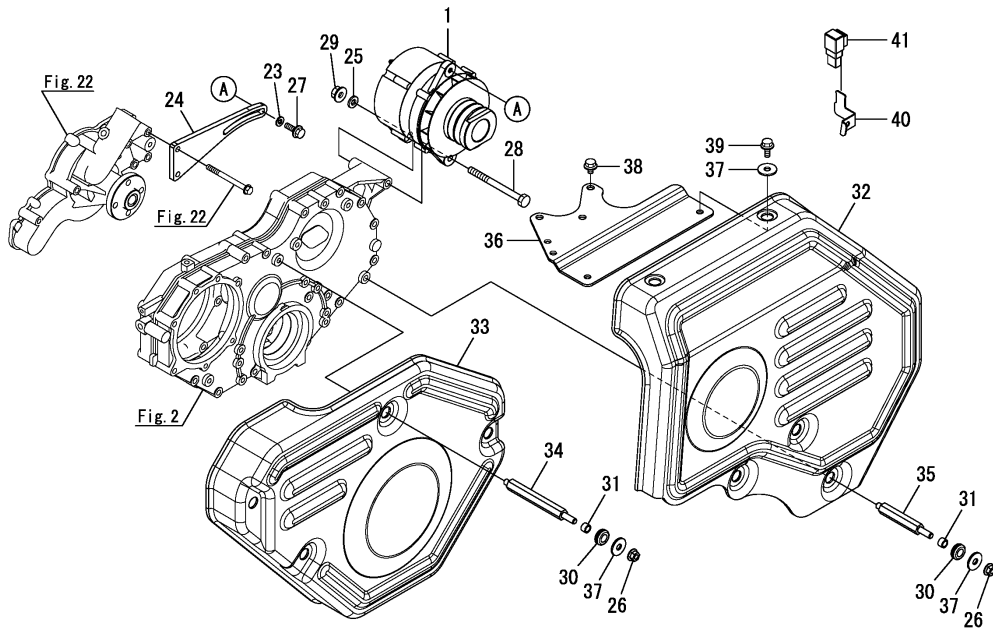


No.	Lev.	Parts No.	Description	Q'ty						I	R
				(A)	(B)	(C)	(D)	(E)	(F)		
1	1	119131-77010	STARTER ASSY, CR1.4	1	1	1	1	1			
1-1	1	119131-77011	STARTER ASSY, 3.5KW	1	1	1	1	1		N	
		(A=*2010.06.)	(B=*2010.06.)	(C=*2010.06.)	(D=*2010.06.)	(E=*2010.06.)					
2	2	119131-77400	ARMATURE ASSY	1	1	1	1	1			
3	3	X2130350900	BEARING, BALL	1	1	1	1	1			
3-1	3	171008-77410	BEARING, BALL	1	1	1	1	1		R	
		(A=*2010.06.)	(B=*2010.06.)	(C=*2010.06.)	(D=*2010.06.)	(E=*2010.06.)					
4	3	119131-77420	BEARING, BALL	1	1	1	1	1			
6	2	119131-77440	COIL ASSY, FIELD	1	1	1	1	1			
7	3	119131-77450	BRUSH	2	2	2	2	2			
8	3	171008-77450	SCREW, CORE SET	4	4	4	4	4			
8-1	3	119260-77070	SCREW, CORE SET	4	4	4	4	4		R	
		(A=*2010.06.)	(B=*2010.06.)	(C=*2010.06.)	(D=*2010.06.)	(E=*2010.06.)					
9	2	119131-77460	COVER ASSY, REAR	1	1	1	1	1			
11	2	119131-77480	HOLDER ASSY, BRUSH	1	1	1	1	1			
12	3	119131-77490	SPRING, BRUSH	4	4	4	4	4			
13	3	119131-77500	BRUSH	2	2	2	2	2			
15	2	119131-77520	CLUTCH ASSY	1	1	1	1	1		Z	
		(A=*2010.06.)	(B=*2010.06.)	(C=*2010.06.)	(D=*2010.06.)	(E=*2010.06.)					
16	3	X2240610100	BEARING, BALL	2	2	2	2	2		Z	
		(A=*2010.06.)	(B=*2010.06.)	(C=*2010.06.)	(D=*2010.06.)	(E=*2010.06.)					
17	2	119131-77540	PINION SHAFT	1	1	1	1	1		Z	
		(A=*2010.06.)	(B=*2010.06.)	(C=*2010.06.)	(D=*2010.06.)	(E=*2010.06.)					
18	2	119131-77550	STOPPER SET, PINION	1	1	1	1	1		Z	
		(A=*2010.06.)	(B=*2010.06.)	(C=*2010.06.)	(D=*2010.06.)	(E=*2010.06.)					
22	2	119131-77590	SWITCH, MAGNET	1	1	1	1	1			
23	2	119131-77600	CASE ASSY, GEAR	1	1	1	1	1		Z	
		(A=*2010.06.)	(B=*2010.06.)	(C=*2010.06.)	(D=*2010.06.)	(E=*2010.06.)					
24	3	119131-77610	METAL, GEAR CASE	1	1	1	1	1		Z	
		(A=*2010.06.)	(B=*2010.06.)	(C=*2010.06.)	(D=*2010.06.)	(E=*2010.06.)					
25	2	119131-77620	LEVER SET, SHIFT	1	1	1	1	1			
28	2	129400-77640	BOLT, THROUGH	2	2	2	2	2			
29	2	119131-77650	COVER KIT, DUST	1	1	1	1	1			
33	2	119131-77690	BOLT, COLLAR M 6X 37	2	2	2	2	2			
34	2	121254-77810	COVER, TERMINAL	1	1	1	1	1			
35	2	26014-060162	BOLT, M6X 16	3	3	3	3	3		Z	
		(A=*2010.06.)	(B=*2010.06.)	(C=*2010.06.)	(D=*2010.06.)	(E=*2010.06.)					
36	2	26557-040102	SCREW, M4X10	2	2	2	2	2			
36A	2	119131-77510	PINION	1	1	1	1	1		W	
		(A=*2010.06.)	(B=*2010.06.)	(C=*2010.06.)	(D=*2010.06.)	(E=*2010.06.)					
37	1	119773-77030	COVER	2	2	2	2	2		Z	
		(A=*2008.12.)	(B=*2008.12.)	(C=*2008.12.)	(D=*2008.12.)	(E=*2008.12.)					
38	1	119175-77500	BOLT	1	1	1	1	1			
39	1	119175-77800	COVER	1	1	1	1	1			
40	1	22137-120000	WASHER, 12	2	2	2	2	2			
41	1	22217-080000	WASHER, SPRING 8	1	1	1	1	1			
42	1	22217-120000	WASHER, SPRING 12	2	2	2	2	2			
43	1	26116-120302	BOLT, M12X 30 PLATED	2	2	2	2	2			
44	1	26306-080002	NUT, M8	1	1	1	1	1			

Fig.36. GENERATOR

(A)=6LY3-ETP 24
 (B)=6LY3-STP 24
 (C)=6LY3-UTP 24

(D)=6LY3-STC 24
 (E)=6LY3-UTC 24
 (F)=



No.	Lev.	Parts No.	Description	Q'ty						I	R
				(A)	(B)	(C)	(D)	(E)	(F)		
1	1	119579-77210	ALTERNATOR, 24V-35A	1	1	1	1	1			
3	3	XL2356100	ROTOR ASSY	1	1	1	1	1			
4	4	X6201SD	BALL BEARING	1	1	1	1	1			
5	3	XL23552001	STATOR ASSY	1	1	1	1	1			
6	3	XL23573002	COVER ASSY, REAR	1	1	1	1	1			
7	4	XL23583011	COVER, REAR	1	1	1	1	1			
8	4	XL2352318	REGULATOR	1	1	1	1	1			
9	5	XL235G3330	BRUSH ASSY	1	1	1	1	1			
10	6	XL12013262	BRUSH	2	2	2	2	2			
11	5	XLTR2Z46	REGULATOR	1	1	1	1	1			
12	5	XL2353318	CONDENSER	1	1	1	1	1			
13	5	XL13513134	BOLT M5	2	2	2	2	2			
14	4	XL2256310	TERMINAL BOLT ASSY	1	1	1	1	1			
15	4	XL2355320	DIODE ASSY	1	1	1	1	1			
16	3	XL23534011	COVER ASSY, FRONT	1	1	1	1	1			
17	4	XL150M14041	RETAINER	1	1	1	1	1			
18	4	X6303BM	BALL BEARING 6303B	1	1	1	1	1			
19	3	XL15018015	BOLT, THROUGH	4	4	4	4	4			
20	3	XL1501810	NUT ASSY, PULLEY	1	1	1	1	1			
21	3	XL15028001	SCREW ASSY	1	1	1	1	1			
22	2	119579-77270	PULLEY ASSY	1	1	1	1	1			
23	1	106100-55800	WASHER	1	1	1	1	1			
24	1	119578-77360	ADJUSTER, BELT	1	1	1	1	1			
25	1	22137-100000	WASHER, 10	1	1	1	1	1			
26	1	26306-080002	NUT, M8	7	7	7	7	7			
27	1	26106-080252	BOLT, M8X 25 PLATED	1	1	1	1	1			
28	1	26116-101202	BOLT, M10X120 PLATED	1	1	1	1	1			
29	1	26306-100002	NUT, M10	1	1	1	1	1			
30	1	105100-55501	RUBBER, CUSHION	9	9	9	9	9			
31	1	105100-55540	COLLAR	9	9	9	9	9			
32	1	119578-77420	COVER, BELT	1	1	1	1	1			
33	1	119578-77430	COVER, BELT	1	1	1	1	1			
34	1	119578-77440	BOLT	4	4	4	4	4			
35	1	119578-77470	BOLT	3	3	3	3	3			
36	1	119578-77491	BRACKET	1	1	1	1	1			
37	1	22157-080000	WASHER, 8	9	9	9	9	9			
38	1	26106-080122	BOLT, M8X 12 PLATED	3	3	3	3	3			
39	1	26106-080202	BOLT, M8X 20 PLATED	2	2	2	2	2			
40	1	119579-77680	BRACKET, RELAY	1	1	1	1	1			
41	1	1E6910-82500	RELAY, CA-1A	1	1	1	1	1			

Fig.46. (36A)INTERNAL HARNESS(ZF CLUTCH)

(A)=6LY3-ETP 24
 (B)=6LY3-STP 24
 (C)=6LY3-UTP 24

(D)=6LY3-STC 24
 (E)=6LY3-UTC 24
 (F)=

No.	Lev.	Parts No.	Description	Q'ty						I	R
				(A)	(B)	(C)	(D)	(E)	(F)		
1	1	119578-77980	HARNESS, WIRE (A=*2010.03.) (B=*2010.03.) (C=*2010.03.)	1	1	1					W
2	1	1E6910-82500	RELAY, CA-1A (A=*2010.03.) (B=*2010.03.) (C=*2010.03.)	2	2	2					W

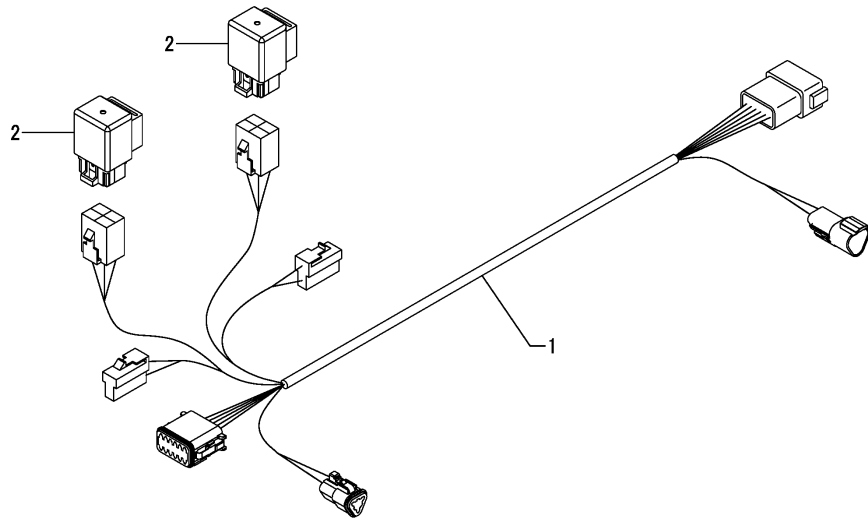
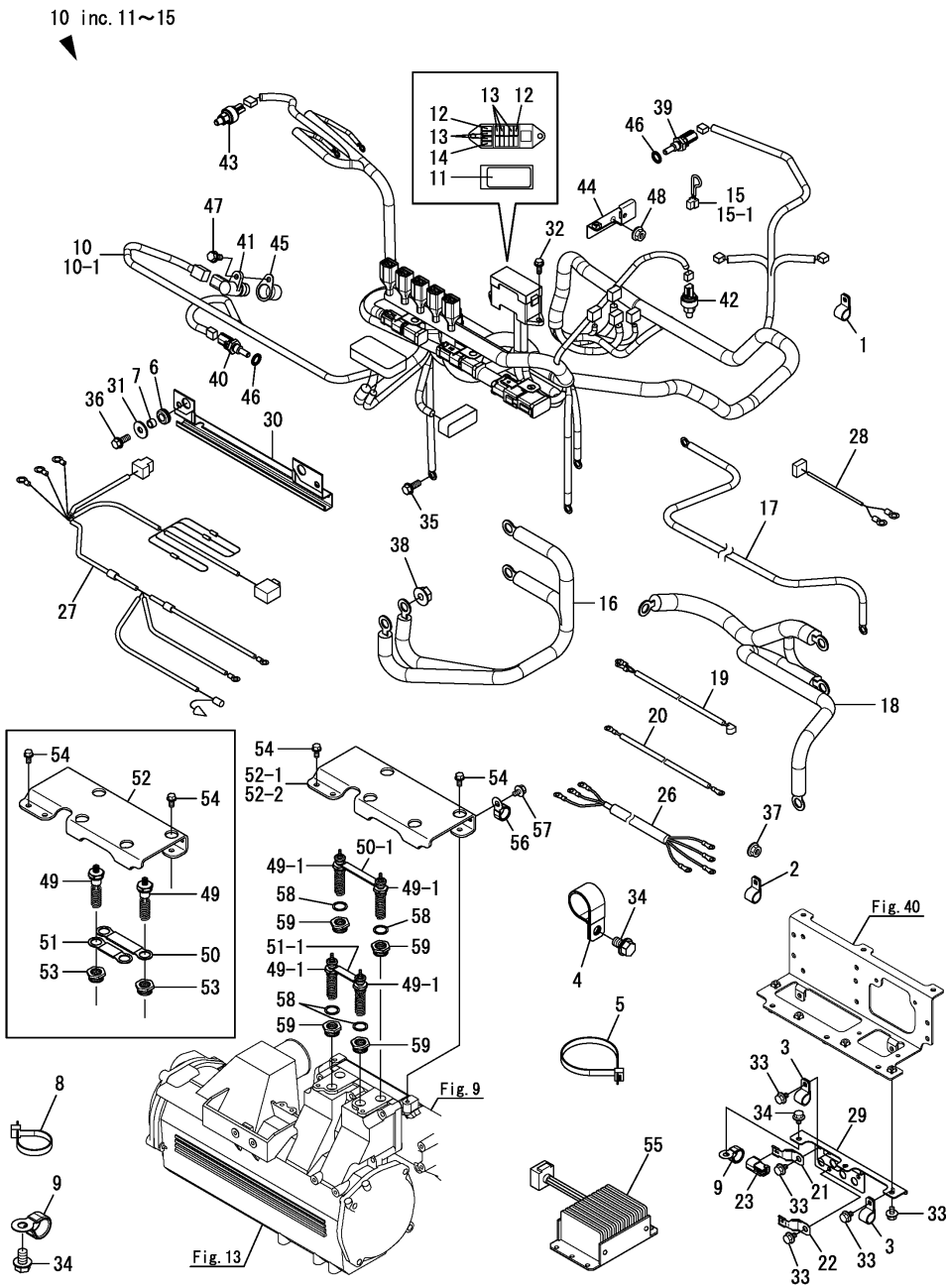


Fig.37. WIRE HARNESS & SENSOR

(A)=6LY3-ETP 24
(B)=6LY3-STP 24
(C)=6LY3-UTP 24

(D)=6LY3-STC 24
(E)=6LY3-UTC 24
(F)=



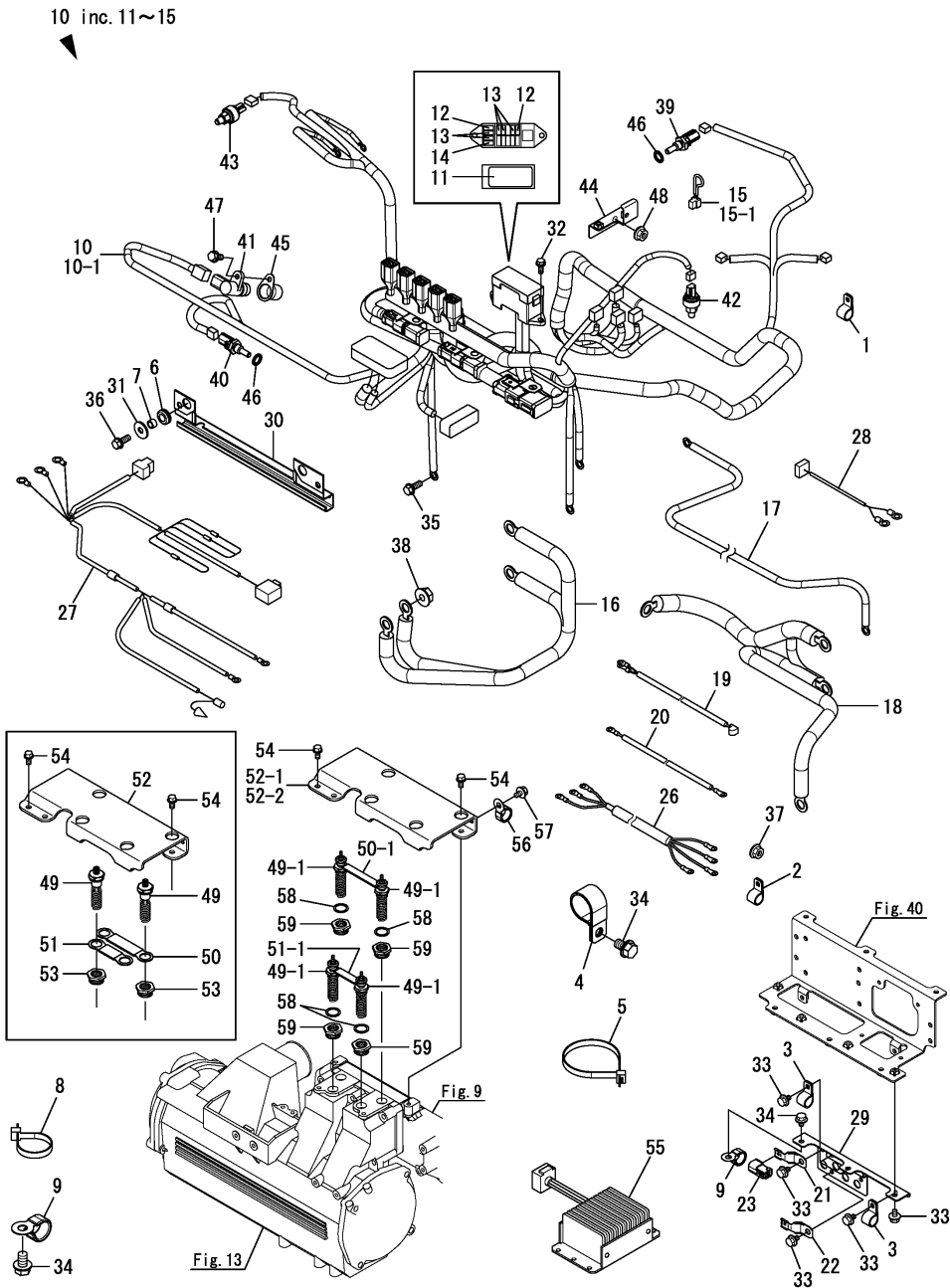
No.	Lev.	Parts No.	Description	Q'ty						I	R
				(A)	(B)	(C)	(D)	(E)	(F)		
1	1	119778-26660	RETAINER	2	2	2	2	2			
2	1	119578-39180	RETAINER	3	3	3	3	3			
2-1	1	23297-270081	CLAMP, A27X12	3	3	3	3	3		N	
3	1	119593-39450	RETAINER, PIPE	2	2	2	2	2			
4	1	121575-49310	RETAINER, PIPE	1	1	1	1	1			
5	1	194250-51660	BAND, NYLON 250	3	3	3	3	3			
5-1	1	29622-250001	BAND, RF250	3	3	3	3	3		R	
6	1	105100-55501	RUBBER, CUSHION	2	2	2	2	2			
7	1	105100-55540	COLLAR	2	2	2	2	2			
8	1	121750-59890	BAND, NYLON	6	6	6	6	6			
9	1	105430-67110	CLAMP, CORD	8	8	8	8	8			
10	1	119578-75504	HARNESS, WIRE	1	1	1	1	1			
10-1	1	119578-75505	HARNESS, MAIN	1	1	1	1	1		N	
11	2	119578-07870	LABEL, FUSE LOCATION	1	1	1	1	1			
12	2	198535-52110	FUSE, 5A	2	2	2	2	2			
13	2	198535-52120	FUSE, 10A	5	5	5	5	5			
14	2	198535-52140	FUSE, 20A	2	2	2	2	2			
15	2	119578-75590	RESISTOR	1	1	1	1	1			
15-1	2	127677-77250	RESISTOR	1	1	1	1	1		N	
16	1	119578-75520	HARNESS, WIRE	1	1	1	1	1			
17	1	119578-75531	HARNESS, WIRE	1	1	1	1	1			
18	1	119578-75540	HARNESS, WIRE	1	1	1	1	1			
19	1	119578-75550	HARNESS, WIRE	1	1	1	1	1			
20	1	119578-75560	HARNESS, WIRE	1	1	1	1	1			
21	1	119578-75610	CLIP, CONNECTOR	2	2	2	2	2			
22	1	119578-75620	CLIP, CONNECTOR	1	1	1	1	1			
23	1	119578-75650	CONNECTOR ASSY	1	1	1	1	1			
26	1	119579-77750	HARNESS, WIRE	1	1	1	1	1			
26-1	1	119579-77751	HARNESS, WIRE G2	1	1	1	1	1		S	
27	1	119579-77760	HARNESS, WIRE	1	1	1	1	1			
28	1	119579-77780	HARNESS, WIRE	1	1	1	1	1			
29	1	119578-77842	BRACKET	1	1	1	1	1			
30	1	119578-77850	BRACKET	1	1	1	1	1			
31	1	22157-080000	WASHER, 8	2	2	2	2	2			
32	1	26106-060162	BOLT, M6X 16 PLATED	2	2	2	2	2			
33	1	26106-080122	BOLT, M8X 12 PLATED	9	9	9	9	9			
34	1	26106-080122	BOLT, M8X 12 PLATED	8	8	8	8	8			
35	1	26106-080122	BOLT, M8X 12 PLATED	1	1	1	1	1			
36	1	26106-080202	BOLT, M8X 20 PLATED	2	2	2	2	2			
37	1	26306-080002	NUT, M8	1	1	1	1	1			
38	1	26366-060002	NUT, M6	1	1	1	1	1			
39	1	119254-44910	SENSOR, WATER TEMP.	1	1	1	1	1			
40	1	119254-44910	SENSOR, WATER TEMP.	1	1	1	1	1			
41	1	158557-61720	SENSOR	1	1	1	1	1			
42	1	119578-91300	SENSOR, PRESSURE	1	1	1	1	1			
43	1	119578-91300	SENSOR, PRESSURE	1	1	1	1	1			

N:Old $\begin{matrix} \text{Yes} \\ \text{No} \end{matrix}$ New, Q:Old $\begin{matrix} \text{No} \\ \text{Yes} \end{matrix}$ New, R:Old $\begin{matrix} \text{Yes} \\ \text{No} \end{matrix}$ New, S:Old $\begin{matrix} \text{No} \\ \text{Yes} \end{matrix}$ New, W:Add, Z:Discontinued, F:Interchangeable by set, K:Q'ty Change
++ CONTINUE ++
Copyright (C) 2017 YANMAR CO., LTD. All Rights Reserved.

Fig.37. WIRE HARNESS & SENSOR

(A)=6LY3-ETP 24
 (B)=6LY3-STP 24
 (C)=6LY3-UTP 24

(D)=6LY3-STC 24
 (E)=6LY3-UTC 24
 (F)=

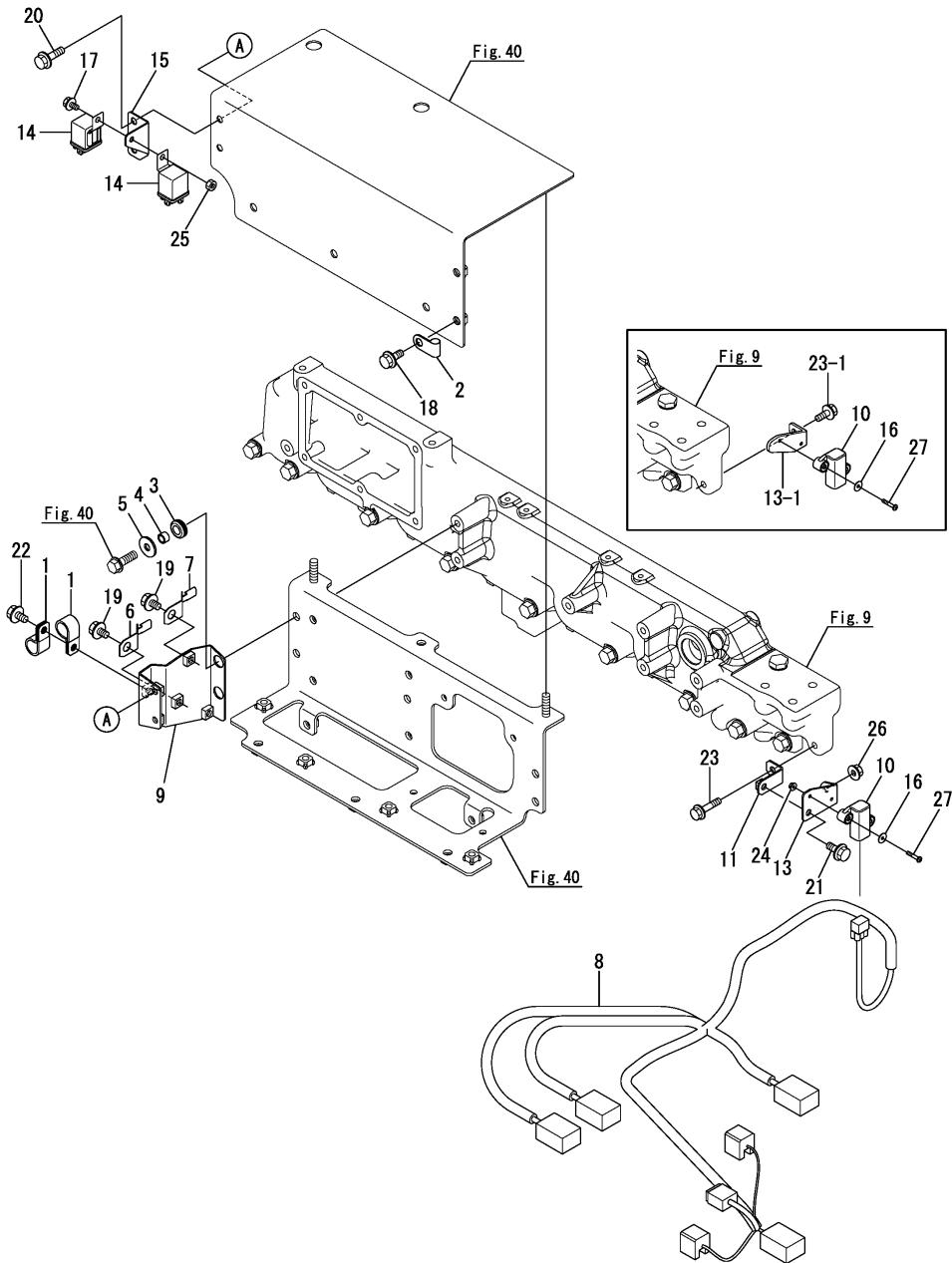


No.	Lev.	Parts No.	Description	Qty						I	R
				(A)	(B)	(C)	(D)	(E)	(F)		
44	1	119578-91310	COVER	1	1	1	1	1			
45	1	119578-91400	COVER	1	1	1	1	1			
46	1	22190-120002	WASHER, SEAL 12	2	2	2	2	2			
47	1	26106-060162	BOLT, M6X 16 PLATED	1	1	1	1	1			
48	1	26366-100002	NUT, M10	2	2	2	2	2			
49	1	119575-77050	PLUG, HEATER	4	4	4	4	4			
49-1	1	127698-77700	HEATER, PLUG	4	4	4	4	4		S	
		(A=E/#1083) (B=E/#0950) (C=E/#1155) (D=E/#1076) (E=E/#1074)									
50	1	119579-77060	TERMINAL, PLUG	1	1	1	1	1			
50-1	1	127698-77110	TERMINAL, PLUG	1	1	1	1	1		S	
		(A=E/#1083) (B=E/#0950) (C=E/#1155) (D=E/#1076) (E=E/#1074)									
51	1	119579-77070	TERMINAL, PLUG	1	1	1	1	1			
51-1	1	119579-77810	TERMINAL, HEATER	1	1	1	1	1		S	
		(A=E/#1083) (B=E/#0950) (C=E/#1155) (D=E/#1076) (E=E/#1074)									
52	1	119579-77120	COVER	1	1	1	1	1			
52-1	1	119579-77121	COVER	1	1	1	1	1		S	
		(A=E/#1083) (B=E/#0950) (C=E/#1155) (D=E/#1076) (E=E/#1074)									
52-2	1	119579-77122	COVER, HEATER PLUG	1	1	1	1	1		N	
		(A=E/#1083) (B=E/#0950) (C=E/#1155) (D=E/#1076) (E=E/#1074)									
53	1	119579-77130	SPACER, PLUG	4	4	4	4	4		Z	
		(A=E/#1083) (B=E/#0950) (C=E/#1155) (D=E/#1076) (E=E/#1074)									
54	1	26106-080162	BOLT, M8X 16 PLATED	6	6	6	6	6			
55	1	126684-77962	CONVERTER	1	1	1	1	1			
56	1	105430-67110	CLAMP, CORD	1	1	1	1	1		W	
		(A=E/#1083) (B=E/#0950) (C=E/#1155) (D=E/#1076) (E=E/#1074)									
57	1	26106-080122	BOLT, M8X 12 PLATED	1	1	1	1	1		W	
		(A=E/#1083) (B=E/#0950) (C=E/#1155) (D=E/#1076) (E=E/#1074)									
58	1	23414-210027	GASKET, 21X1.0	4	4	4	4	4		W	
		(A=E/#1083) (B=E/#0950) (C=E/#1155) (D=E/#1076) (E=E/#1074)									
59	1	119579-77190	SPACER, HEATER	4	4	4	4	4		W	
		(A=E/#1083) (B=E/#0950) (C=E/#1155) (D=E/#1076) (E=E/#1074)									

Fig.47. (37A)SENSOR(SOLAS)

(A)=6LY3-ETP 24
(B)=6LY3-STP 24
(C)=6LY3-UTP 24

(D)=6LY3-STC 24
(E)=6LY3-UTC 24
(F)=



No.	Lev.	Parts No.	Description	Q'ty						I	R
				(A)	(B)	(C)	(D)	(E)	(F)		
1	1	119778-26660	RETAINER	2	2	2	2	2			
2	1	119588-39450	RETAINER	1	1	1	1	1			
3	1	105100-55501	RUBBER, CUSHION	2	2	2	2	2			
4	1	105100-55540	COLLAR	2	2	2	2	2			
5	1	106100-55800	WASHER	2	2	2	2	2			
6	1	119578-75610	CLIP, CONNECTOR	1	1	1	1	1			
7	1	119578-75620	CLIP, CONNECTOR	1	1	1	1	1			
8	1	119578-78811	HARNES, WIRE T/O SW	1	1	1	1	1			
9	1	119578-78820	BRACKET, CONNECTOR	1	1	1	1	1			
10	1	119175-91510	SWITCH	1	1	1	1	1			
11	1	119578-91630	SUPPORT, SWITCH	1	1	1	1	1		Z	
		(A=*2012.08.) (B=*2012.08.) (C=*2012.08.) (D=*2012.08.) (E=*2012.08.)									
13	1	119578-91640	BRACKET, SWITCH	1	1	1	1	1			
13-1	1	119578-91650	BRACKET, SWITCH	1	1	1	1	1		N	
		(A=*2012.08.) (B=*2012.08.) (C=*2012.08.) (D=*2012.08.) (E=*2012.08.)									
14	1	124617-91850	RELAY	2	2	2	2	2			
15	1	119578-99010	BRACKET, RELAY	1	1	1	1	1			
16	1	119574-99020	WASHER	2	2	2	2	2			
17	1	26106-060102	BOLT, M6X 10 PLATED	1	1	1	1	1			
18	1	26106-080122	BOLT, M8X 12 PLATED	1	1	1	1	1			
19	1	26106-080122	BOLT, M8X 12 PLATED	2	2	2	2	2			
20	1	26106-080122	BOLT, M8X 12 PLATED	2	2	2	2	2			
21	1	26106-080122	BOLT, M8X 12 PLATED	1	1	1	1	1		Z	
		(A=*2012.08.) (B=*2012.08.) (C=*2012.08.) (D=*2012.08.) (E=*2012.08.)									
22	1	26106-080142	BOLT, M8X 14 PLATED	1	1	1	1	1			
23	1	26106-080302	BOLT, M8X 30 PLATED	1	1	1	1	1			
23-1	1	26106-080202	BOLT, M8X 20 PLATED	1	1	1	1	1		N	
		(A=*2012.08.) (B=*2012.08.) (C=*2012.08.) (D=*2012.08.) (E=*2012.08.)									
24	1	26366-040002	NUT, M8	2	2	2	2	2		Z	
		(A=*2012.08.) (B=*2012.08.) (C=*2012.08.) (D=*2012.08.) (E=*2012.08.)									
25	1	26366-060002	NUT, M6	1	1	1	1	1			
26	1	26366-080002	NUT, M8	1	1	1	1	1		Z	
		(A=*2012.08.) (B=*2012.08.) (C=*2012.08.) (D=*2012.08.) (E=*2012.08.)									
27	1	26557-040202	SCREW, M4X20	2	2	2	2	2			

Fig.38. VDO GAUGE(OPTIONAL)

(A)=6LY3-ETP 24
 (B)=6LY3-STP 24
 (C)=6LY3-UTP 24

(D)=6LY3-STC 24
 (E)=6LY3-UTC 24
 (F)=

No.	Lev.	Parts No.	Description	Q'ty						I	R
				(A)	(B)	(C)	(D)	(E)	(F)		
1	1	119578-91900	TACHOMETER, V4000	1	1	1	1	1			
2	1	120650-91960	HARNES, V TACHO	1	1	1	1	1			
3	1	120650-91910	GAUGE,(V WATER TEMP	1	1	1	1	1			
4	1	120650-91920	GAUGE,(V OIL PRESS	1	1	1	1	1			
5	1	120650-91930	GAUGE,(V BOOST	1	1	1	1	1			
6	1	120650-91950	GAUGE,(V FUEL	1	1	1	1	1			
7	1	163010-91940	GAUGE,(V VOLT 24V	1	1	1	1	1			

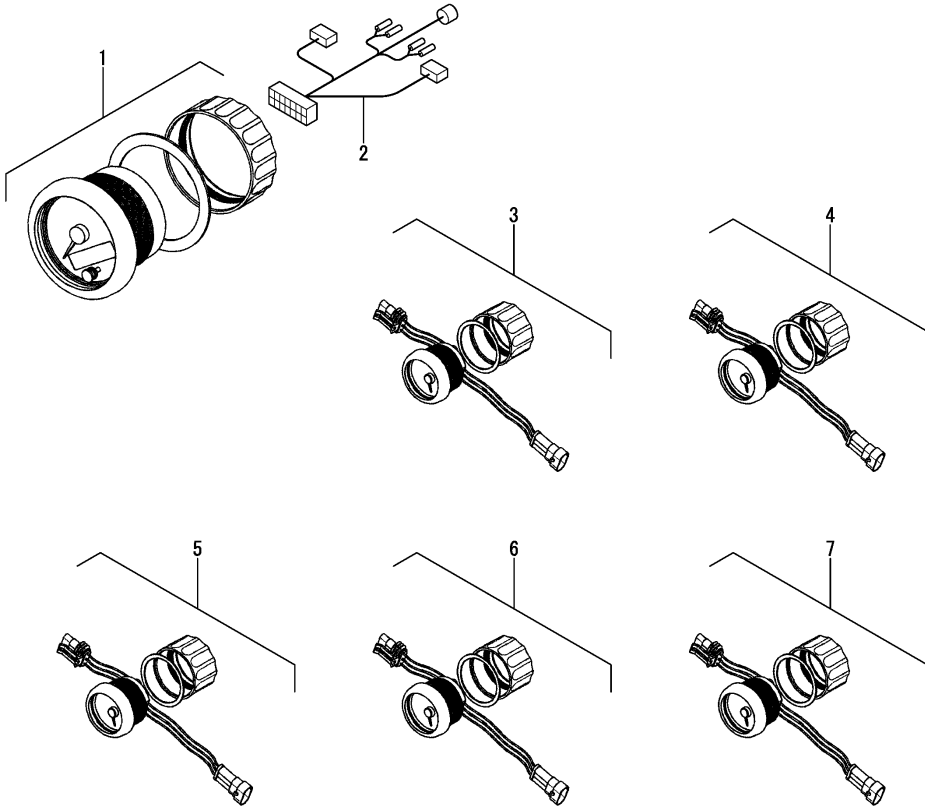
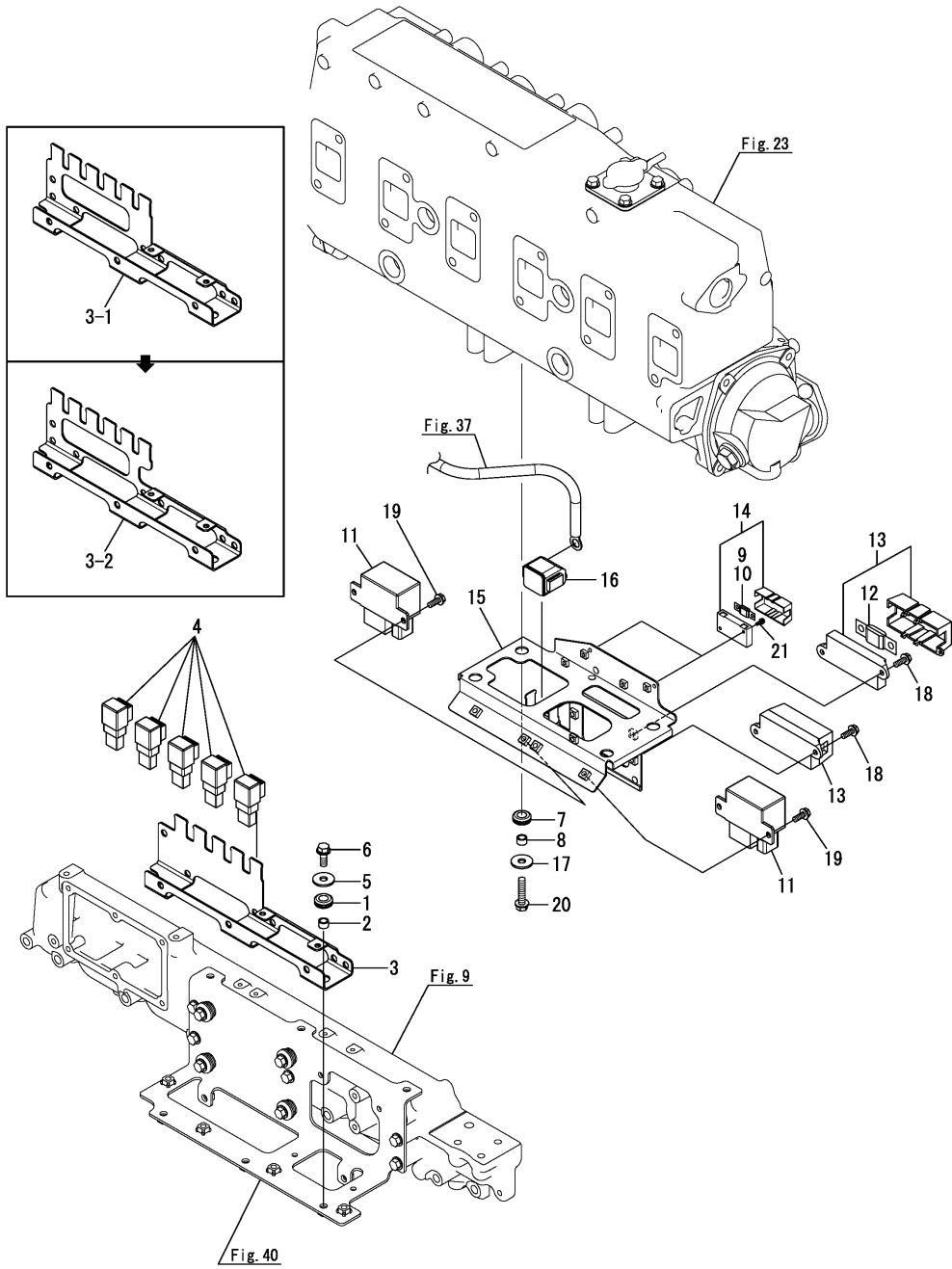


Fig.39. RELAY

(A)=6LY3-ETP 24
 (B)=6LY3-STP 24
 (C)=6LY3-UTP 24

(D)=6LY3-STC 24
 (E)=6LY3-UTC 24
 (F)=

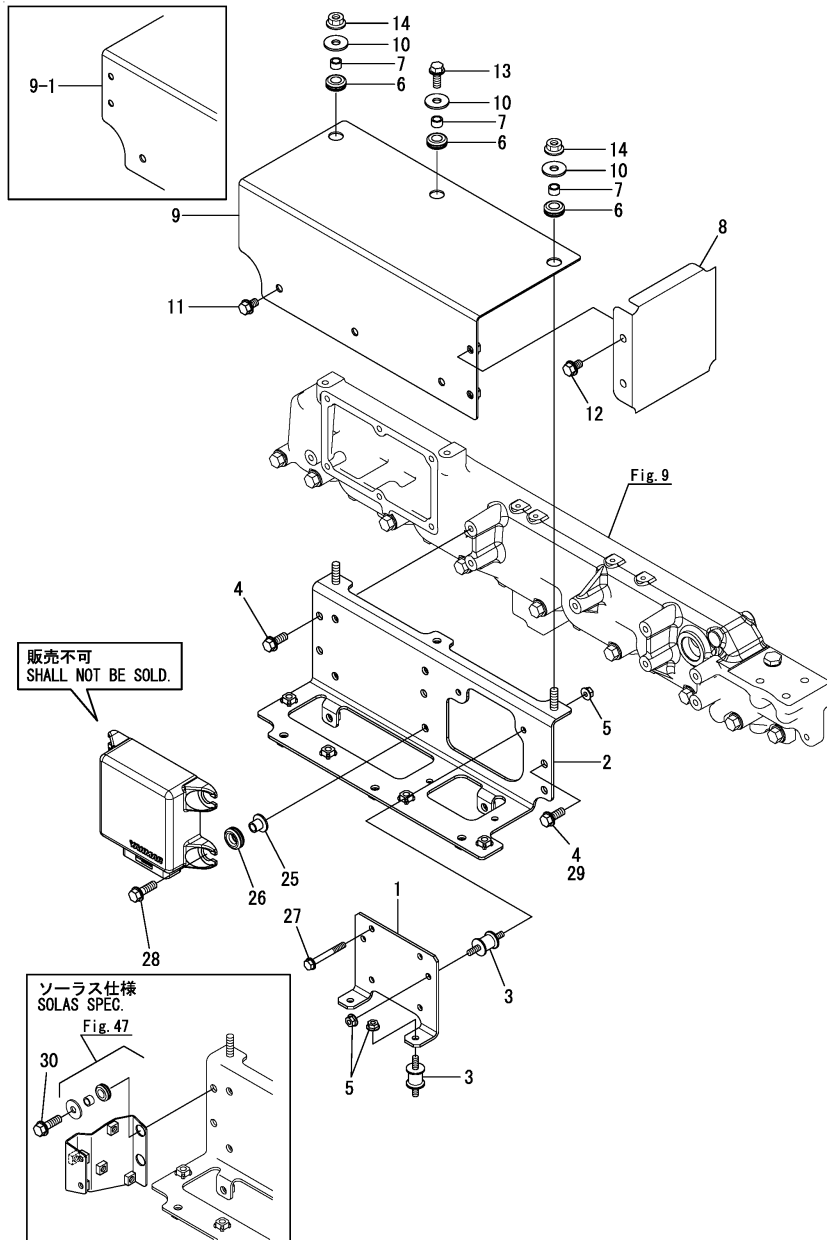


No.	Lev.	Parts No.	Description	Q'ty						I	R
				(A)	(B)	(C)	(D)	(E)	(F)		
1	1	105100-55501	RUBBER, CUSHION	3	3	3	3	3			
2	1	105100-55540	COLLAR	3	3	3	3	3			
3	1	119578-77740	BRACKET, RELAY	1	1	1	1	1			
3-1	1	119578-77741	BRACKET, RELAY	1	1	1	1	1		N	
		(A=E/#0671) (B=E/#0675) (C=E/#0695) (D=E/#0710) (E=E/#0703)									
3-2	1	119578-77742	BRACKET, RELAY	1	1	1	1	1		N	
		(A=E/#0816) (B=E/#0829) (C=E/#0820) (D=E/#0878) (E=E/#0905)									
4	1	1E6910-82500	RELAY, CA-1A	5	5	5	5	5			
5	1	22157-080000	WASHER, 8	3	3	3	3	3			
6	1	26106-080202	BOLT, M8X 20 PLATED	3	3	3	3	3			
7	1	105100-55501	RUBBER, CUSHION	4	4	4	4	4			
8	1	105100-55540	COLLAR	4	4	4	4	4			
9	1	127677-77050	FUSE, 32V-70A	1	1	1	1	1			
10	1	119578-77080	FUSE, 32V-50A	1	1	1	1	1			
11	1	119578-77140	RELAY, 12V-130A	2	2	2	2	2			
12	1	119579-77150	FUSE, 32V-125A	2	2	2	2	2			
13	1	119578-77160	HOLDER, FUSE	2	2	2	2	2			
14	1	119578-77200	HOLDER, FUSE	2	2	2	2	2			
15	1	119578-77780	BRACKET	1	1	1	1	1			
16	1	119578-77910	RELAY, STARTER	1	1	1	1	1			
17	1	22157-080000	WASHER, 8	4	4	4	4	4			
18	1	26106-060122	BOLT, M6X 12 PLATED	4	4	4	4	4			
19	1	26106-060162	BOLT, M6X 16 PLATED	4	4	4	4	4			
20	1	26106-080222	BOLT, M8X 22 PLATED	4	4	4	4	4			
21	1	26557-040122	SCREW, M4X12	4	4	4	4	4			

Fig.40. CONTROLLER

(A)=6LY3-ETP 24
 (B)=6LY3-STP 24
 (C)=6LY3-UTP 24

(D)=6LY3-STC 24
 (E)=6LY3-UTC 24
 (F)=



No.	Lev.	Parts No.	Description	Q'ty						I	R
				(A)	(B)	(C)	(D)	(E)	(F)		
1	1	119578-77710	BRACKET	1	1	1	1	1			
2	1	119578-77770	BRACKET	1	1	1	1	1			
3	1	119175-91050	ABSORBER	4	4	4	4	4			
4	1	26106-080162	BOLT, M8X 16 PLATED	5	5	5	5	5			
5	1	26366-060002	NUT, M6	8	8	8	8	8			
6	1	105100-55501	RUBBER, CUSHION	3	3	3	3	3			
7	1	105100-55540	COLLAR	3	3	3	3	3			
8	1	119578-77881	COVER	1	1	1	1	1			
9	1	119578-77890	COVER	1	1	1	1	1			
9-1	1	119578-77891	COVER,CONTROLLER	1	1	1	1	1		N	
		(A=#0671)	(B=#0675)	(C=#0695)	(D=#0710)	(E=#0703)					
10	1	22157-080000	WASHER, 8	3	3	3	3	3			
11	1	26106-080122	BOLT, M8X 12 PLATED	3	3	3	3	3			
12	1	26106-080122	BOLT, M8X 12 PLATED	2	2	2	2	2			
13	1	26106-080202	BOLT, M8X 20 PLATED	1	1	1	1	1			
14	1	26306-080002	NUT, M8	2	2	2	2	2			
25	1	119578-77680	COLLAR	4	4	4	4	4			
26	1	119578-91351	RUBBER, CUSHION	4	4	4	4	4			
27	1	26106-060502	BOLT, M6X 50 PLATED	4	4	4	4	4			
28	1	26106-080252	BOLT, M8X 25 PLATED	4	4	4	4	4			
29	1	26106-080162	BOLT, M8X 16 PLATED	3	3	3	3	3		W 1	
		(A=#0671)	(B=#0675)	(C=#0695)	(D=#0710)	(E=#0703)					
30	1	26106-080252	BOLT, M8X 25 PLATED	2	2	2	2	2		W 1	
		(A=#0671)	(B=#0675)	(C=#0695)	(D=#0710)	(E=#0703)					

Remarks
 (1)SOLAS specification.

Fig.41. POWER OFF TIMER

(A)=6LY3-ETP 24
 (B)=6LY3-STP 24
 (C)=6LY3-UTP 24

(D)=6LY3-STC 24
 (E)=6LY3-UTC 24
 (F)=

No.	Lev.	Parts No.	Description	Q'ty						I	R
				(A)	(B)	(C)	(D)	(E)	(F)		
1	1	119593-39450	RETAINER, PIPE	1	1	1	1	1			
2	1	105430-67110	CLAMP, CORD	2	2	2	2	2			
3	1	119578-77950	BRACKET, RELAY	1	1	1	1	1			
4	2	119578-77930	BRACKET	1	1	1	1	1			
5	2	119578-77940	BRACKET	1	1	1	1	1			
6	1	119578-77960	HARNES, WIRE	1	1	1	1	1			
7	1	119578-77970	TIMER	1	1	1	1	1			
8	1	1E6910-82500	RELAY, CA-1A	1	1	1	1	1			
9	1	26106-060162	BOLT, M6X 16 PLATED	1	1	1	1	1			
10	1	26106-080122	BOLT, M8X 12 PLATED	3	3	3	3	3			

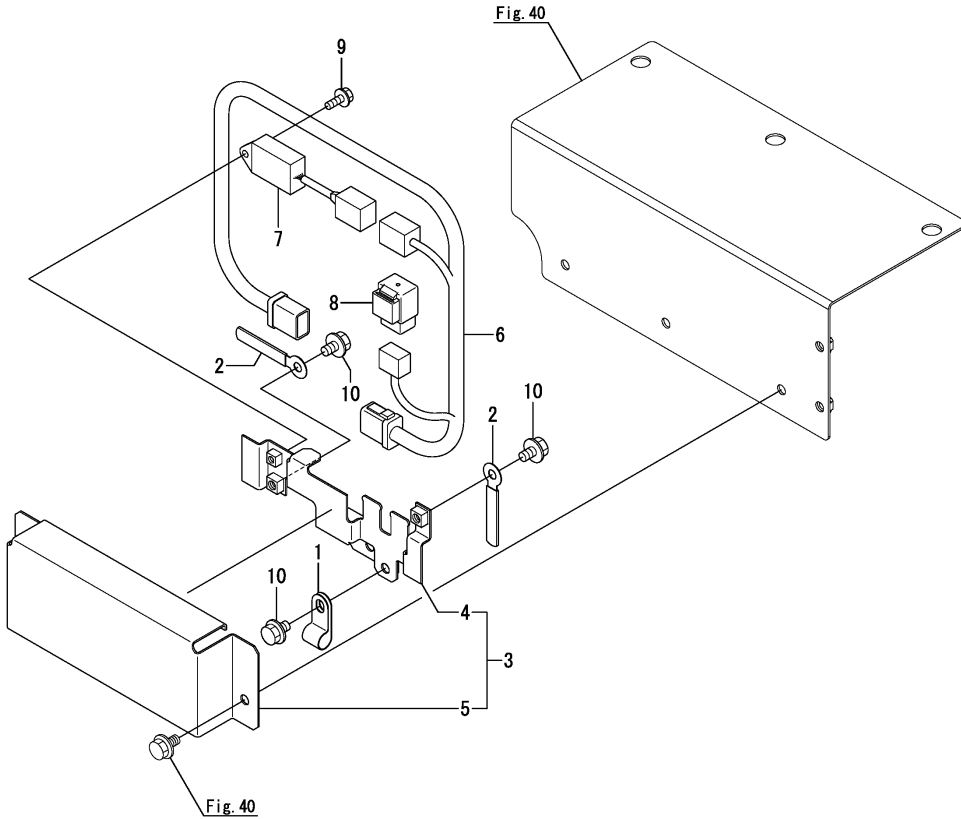


Fig.42. CLUTCH

(A)=6LY3-ETP 24
(B)=6LY3-STP 24
(C)=6LY3-UTP 24

(D)=6LY3-STC 24
(E)=6LY3-UTC 24
(F)=

No.	Lev.	Parts No.	Description	Q'ty						I	R
				(A)	(B)	(C)	(D)	(E)	(F)		
1	1	177525-80010	CLUTCH ASSY, 2.43 (B=*2008.12.) (C=*2008.12.)	1	1	1	1	1		W	1
2	1	177525-80020	CLUTCH ASSY, 2.04 (B=*2008.12.) (C=*2008.12.)	1	1	1	1	1		W	2
3	1	177525-80030	CLUTCH ASSY, 1.55 (B=*2008.12.) (C=*2008.12.)	1	1	1	1	1		W	3
4	1	177524-80110	CLUTCH KMH60A I=2.43		1	1					4
5	1	177524-80120	CLUTCH KMH60A I=2.04		1	1					5
6	1	177524-80130	CLUTCH KMH60A I=1.55		1	1					6
7	1	119578-81300	KMH61VGG-LY3	1	1	1	1	1			7
8	1	119578-81310	KMH61VG-LY3MV	1	1	1	1	1			8
9	1	119578-81320	KMH61VS-LY3MV	1	1	1	1	1			9
10	1	119578-81330	KMH61VSS-LY3MV	1	1	1	1	1			A

この項目はイラスト表現していません
The Parts of this figure are not illustrated.

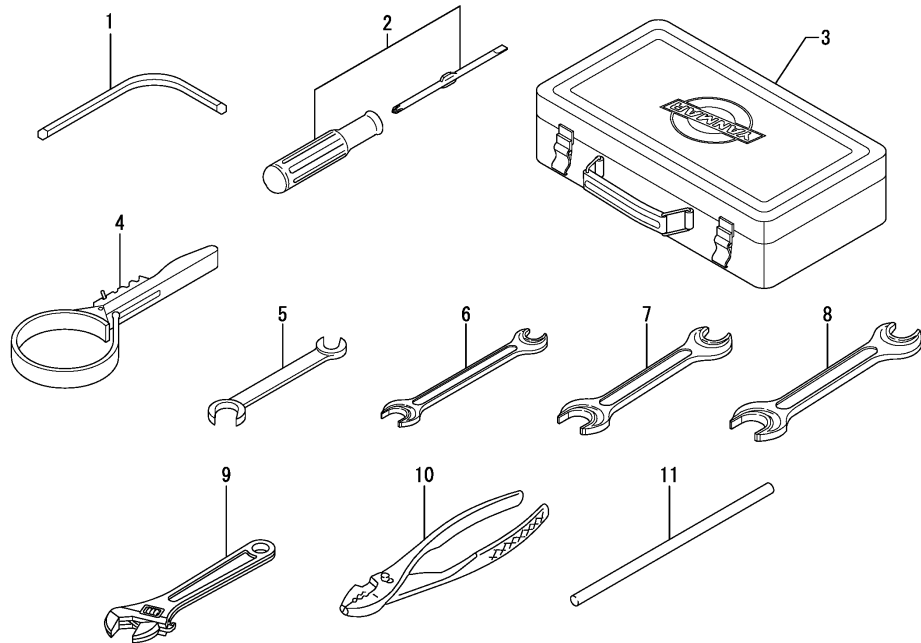
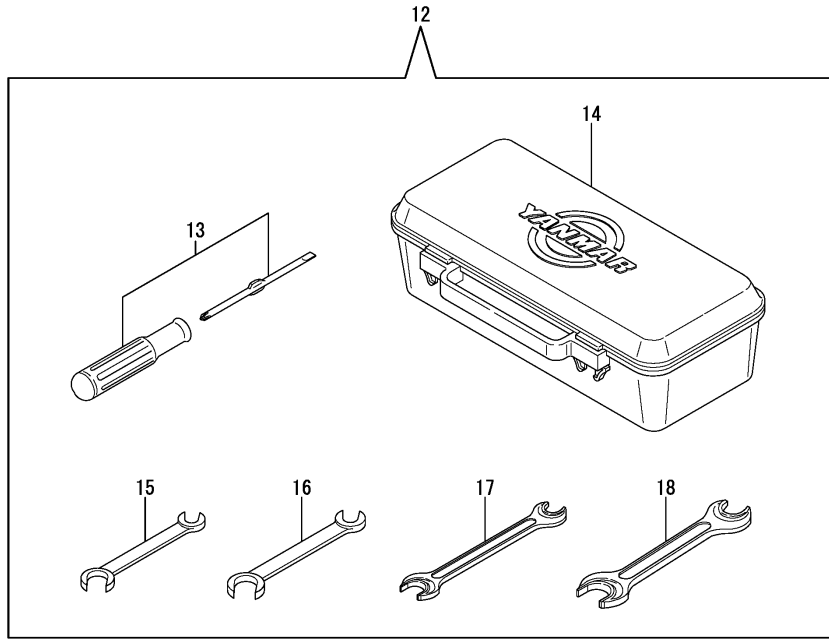
Remarks

- (1)KMH61A(Reduction ratio 2.43).
- (2)KMH61A(Reduction ratio 2.04).
- (3)KMH61A(Reduction ratio 1.55).
- (4)KMH60A(Reduction ratio 2.43).
- (5)KMH60A(Reduction ratio 2.04).
- (6)KMH60A(Reduction ratio 1.55).
- (7)KMH61V(Reduction ratio 2.43).
- (8)KMH61V(Reduction ratio 1.98).
- (9)KMH61V(Reduction ratio 1.49).
- (A)KMH61V(Reduction ratio 1.24).

Fig.43. TOOL(OPTIONAL)

(A)=6LY3-ETP 24
 (B)=6LY3-STP 24
 (C)=6LY3-UTP 24

(D)=6LY3-STC 24
 (E)=6LY3-UTC 24
 (F)=

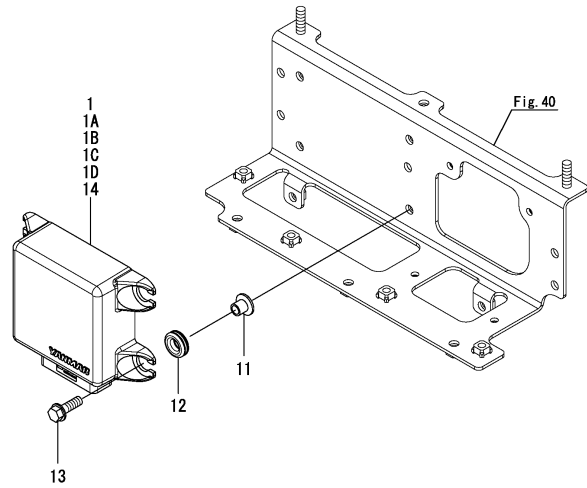


No.	Lev.	Parts No.	Description	Q'ty						I	R
				(A)	(B)	(C)	(D)	(E)	(F)		
1	1	177040-09050	WRENCH (A=E/#1034) (B=E/#1004) (C=E/#1100) (D=*2013.07.)	1	1	1	1	1	1	Z	
2	1	104200-92350	SCREW-DRIVER (A=E/#1034) (B=E/#1004) (C=E/#1100) (D=*2013.07.)	1	1	1	1	1	1	Z	
3	1	122210-92601	BOX (A=E/#1034) (B=E/#1004) (C=E/#1100) (D=*2013.07.)	1	1	1	1	1	1	Z	
4	1	127610-92750	WRENCH, FILTER (A=E/#1034) (B=E/#1004) (C=E/#1100) (D=*2013.07.)	1	1	1	1	1	1	Z	
5	1	28110-100130	SPANNER, 10X13 (A=E/#1034) (B=E/#1004) (C=E/#1100) (D=*2013.07.)	1	1	1	1	1	1	Z	
6	1	28110-120140	SPANNER, 12X14 (A=E/#1034) (B=E/#1004) (C=E/#1100) (D=*2013.07.)	1	1	1	1	1	1	Z	
7	1	28110-170190	SPANNER, 17X19 (A=E/#1034) (B=E/#1004) (C=E/#1100) (D=*2013.07.)	1	1	1	1	1	1	Z	
8	1	28110-220240	SPANNER, 22X24 (A=E/#1034) (B=E/#1004) (C=E/#1100) (D=*2013.07.)	1	1	1	1	1	1	Z	
9	1	28120-002000	WRENCH, 200 (A=E/#1034) (B=E/#1004) (C=E/#1100) (D=*2013.07.)	1	1	1	1	1	1	Z	
10	1	28170-001500	PLIER (A=E/#1034) (B=E/#1004) (C=E/#1100) (D=*2013.07.)	1	1	1	1	1	1	Z	
11	1	28230-120300	HANDLE, TURN 12X300 (A=E/#1034) (B=E/#1004) (C=E/#1100) (D=*2013.07.)	1	1	1	1	1	1	Z	
12	1	719195-92500	TOOL ASSY (A=E/#1034) (B=E/#1004) (C=E/#1100) (D=*2013.07.)	1	1	1	1	1	1	W	
13	2	104200-92350	SCREW-DRIVER (A=E/#1034) (B=E/#1004) (C=E/#1100) (D=*2013.07.)	1	1	1	1	1	1	W	
14	2	104200-92600	BOX, TOOL (A=E/#1034) (B=E/#1004) (C=E/#1100) (D=*2013.07.)	1	1	1	1	1	1	W	
15	2	28110-080100	SPANNER, 8X10 (A=E/#1034) (B=E/#1004) (C=E/#1100) (D=*2013.07.)	1	1	1	1	1	1	W	
16	2	28110-100130	SPANNER, 10X13 (A=E/#1034) (B=E/#1004) (C=E/#1100) (D=*2013.07.)	1	1	1	1	1	1	W	
17	2	28110-120140	SPANNER, 12X14 (A=E/#1034) (B=E/#1004) (C=E/#1100) (D=*2013.07.)	1	1	1	1	1	1	W	
18	2	28110-170190	SPANNER, 17X19 (A=E/#1034) (B=E/#1004) (C=E/#1100) (D=*2013.07.)	1	1	1	1	1	1	W	

Fig.44. ELECTRONIC CONTROL UNIT(ECU)

(A)=6LY3-ETP 24
 (B)=6LY3-STP 24
 (C)=6LY3-UTP 24

(D)=6LY3-STC 24
 (E)=6LY3-UTC 24
 (F)=



No.	Lev.	Parts No.	Description	Q'ty						I	R
				(A)	(B)	(C)	(D)	(E)	(F)		
1	1	119579-75101	CONTROLLER ASSY, EUC	1							1
1A	1	119579-75201	CONTROLLER ASSY, EUC		1						1
1B	1	119579-75301	CONTROLLER ASSY, EUC			1					1
1C	1	119579-75500	CONTROLLER ASSY, EUC				1				1
1D	1	119579-75600	CONTROLLER ASSY, EUC					1			1
11	1	119578-77680	COLLAR	4	4	4	4	4			
12	1	119578-91351	RUBBER, CUSHION	4	4	4	4	4			
13	1	26106-080252	BOLT, M8X 25 PLATED	4	4	4	4	4			
14	1	119579-75900	CONTROLLER ASSY, EUC	1	1	1	1	1			2

Remarks

(1)Eco ECU
 This part cannot be ordered.
 Replace the part using a Service ECU with the proper engine information installed.
 (2)Service ECU
 If the proper information is not installed, the engine will not operate.
 To install proper information, go to an authorized distributor.

Parts No. Index

Parts No.	Fig. No.	Ref. No.
104200-92350	43	2
		13
104200-92600	43	14
104264-59030	23	25
105010-39150	19	48
105100-55501	36	30
	37	6
	39	1
		7
	40	6
	47	3
105100-55540	36	31
	37	7
	39	2
		8
	40	7
	47	4
105430-67110	37	9
		56
	41	2
106100-55800	36	23
	47	5
114385-99151	8	17
	45	15
119000-01840	1	10
119000-02410	1	6
119000-02450	14	2
119000-51550	27	46
119005-77350	29	6
119131-77010	35	1
119131-77011	35	1 -1
119131-77400	35	2
119131-77420	35	4
119131-77440	35	6
119131-77450	35	7
119131-77460	35	9
119131-77480	35	11
119131-77490	35	12
119131-77500	35	13
119131-77510	35	36 A
119131-77520	35	15
119131-77540	35	17
119131-77550	35	18
119131-77590	35	22
119131-77600	35	23
119131-77610	35	24
119131-77620	35	25
119131-77650	35	29
119131-77690	35	33
119171-34820	4	13

Parts No.	Fig. No.	Ref. No.
119172-44310	2	16
119172-48130	8	15
	23	28
	32	18
	45	14
119172-48190	32	19
	34	19
119172-48280	19	12
	25	16
119172-48350	8	16
		21
	45	5
119172-48480	10	9
		17
	11	12
		31
119172-48540	10	18
	11	13
		32
	22	22
	24	1
	25	3
119173-55700	33	1
119173-59122	32	20
119175-77500	35	38
119175-77800	35	39
119175-91050	40	3
119175-91510	47	10
119187-39700	19	36 -1
119187-59562	32	21
119209-42140	45	13
119254-44910	27	3
	37	39
		40
119256-49531	45	6
119260-77070	35	8 -1
119285-11990	1	5
119503-22300	16	9
119503-22301	16	9 -1
119574-07400	6	7
119574-08202	5	1
119574-08212	5	2
119574-08231	5	3
119574-13251	10	1
		14
	11	1
		19
119574-13300	10	2
		15
	11	2

Parts No.	Fig. No.	Ref. No.
119574-13300	11	20
119574-18700	13	22
119574-18810	13	7
		7 -2
119574-39820	19	11
119574-42552	21	4
119574-44560	23	45
119574-49321	25	18
119574-49751	11	35
119574-59980	32	35
119574-99020	47	16
119575-01750	3	2
119575-08201	5	14
119575-08211	5	15
119575-08220	5	16
119575-13300	10	3
	11	3
		21
119575-13320	10	5
	11	5
		23
119575-13330	10	6
	11	6
		25
119575-13350	10	7
		26
		26
119575-39700	19	36
119575-59950	32	28
119575-77050	37	49
119578-01200	1	25
119578-01210	1	26
119578-01350	1	27
119578-01500	2	1
119578-01600	3	1 -1
119578-01620	3	1
119578-01760	1	29
119578-01820	29	1
119578-01840	29	2
119578-01861	29	3
119578-01870	29	4
119578-01921	2	5 -1
119578-01930	2	5
119578-01940	2	7
119578-03110	8	20
119578-03150	8	11
119578-03160	8	1
119578-03170	8	12
	45	10
119578-03190	8	13

Parts No.	Fig. No.	Ref. No.
119578-03190	45	11
119578-03250	2	8
119578-03370	45	1
119578-03380	45	2
119578-03390	45	3
119578-03400	45	4
119578-07220	7	49
119578-07230	7	51
119578-07870	37	11
119578-07890	6	9
119578-11080	7	5
119578-11090	7	6
119578-11110	7	17
119578-11130	7	19
119578-11180	7	20
119578-11280	7	24
119578-11300	8	2
119578-11360	8	10
119578-11381	8	5
119578-11461	7	18
119578-11500	7	39
119578-11520	7	11
119578-11550	7	43
119578-11790	30	1
119578-11840	7	23 A
119578-11871	30	2
119578-11960	7	23 B
119578-12110	9	1
119578-12150	9	2
119578-13200	23	39
119578-13250	23	41
119578-13300	11	24
119578-14000	14	1
119578-14200	14	5
119578-14210	14	7
119578-14240	14	8
119578-14400	14	9
119578-18010	12	1
119578-18050	12	29
119578-18070	12	30
119578-18121	13	3
119578-18130	13	4
119578-18140	13	5 -1
119578-18150	13	6
		6 -3
119578-18160	13	5
119578-18170	13	5 -2
119578-18180	13	20
119578-18200	13	21
119578-18261	12	33

Parts No. Index

Parts No.	Fig. No.	Ref. No.
119578-18271	12	34
119578-18310	13	26
119578-18320	13	27
119578-18410	13	6 -1
119578-18420	13	7 -1
119578-18810	12	38
119578-18860	12	35
119578-18880	12	37
119578-21000	15	1
119578-21220	15	4
119578-21600	15	15
119578-21640	15	9
119578-22300	16	3
119578-23600	16	17
119578-25170	14	14
119578-25180	14	12
119578-25250	14	13
119578-25900	14	16
119578-25930	29	5
119578-28000	15	11
119578-28300	15	19
119578-28400	14	17
119578-33050	17	2
119578-33060	17	3
119578-33080	17	4
119578-33100	17	5
119578-33121	17	13
119578-33130	17	14
119578-33150	17	15
119578-33400	4	11
	17	17
119578-34020	17	21
119578-34050	17	22
119578-34811	4	12
119578-34860	4	14
119578-34870	4	15
119578-35151	17	36
119578-39100	18	15
119578-39121	18	16
119578-39141	18	17
119578-39170	18	18
119578-39180	18	19
	37	2
119578-39200	18	20
119578-39250	18	21
119578-39300	18	24
119578-39420	19	20
119578-39520	19	27
119578-39521	19	27 -1
119578-39530	19	28

Parts No.	Fig. No.	Ref. No.
119578-39560	19	3
119578-39600	19	49
119578-39610	19	4
119578-39620	19	7
119578-39630	19	9
119578-39650	19	10
119578-39710	19	42
119578-39770	19	50
119578-42003	22	1
119578-42021	22	3
119578-42050	22	6
119578-42100	22	15
119578-42130	22	8
119578-42320	22	16
119578-42360	22	20
119578-42501	21	1
119578-42520	21	21
119578-42530	21	2
119578-42540	21	3
119578-42560	21	5
119578-42570	21	6
119578-42580	21	7
119578-42581	21	7 -1
119578-42590	21	8
119578-42600	21	9
119578-42610	21	10
119578-42620	21	11
119578-42630	21	12
119578-42640	21	13
119578-42650	21	14
119578-42660	21	15
119578-42670	21	16
119578-42680	21	17
119578-42690	21	18
119578-42700	21	19
119578-42720	21	20
119578-44100	23	2
119578-44130	23	7
119578-44210	23	40
119578-44250	23	14
119578-44280	23	15
119578-44350	23	16
119578-44420	23	17
119578-44430	23	10
119578-44700	23	26
119578-48100	25	1
119578-49040	25	4
119578-49110	22	24
119578-49130	24	2
119578-49200	22	25

Parts No.	Fig. No.	Ref. No.
119578-49230	22	26
119578-49240	11	34
119578-49250	25	6
119578-49300	25	7
119578-49320	25	8
119578-49350	13	10
	23	33
	24	4
119578-49360	25	20
119578-49380	22	27
119578-49390	25	21
119578-49460	25	22
119578-49500	10	20
	24	5
119578-49520	24	6
119578-49530	24	7
119578-49650	24	8
119578-49660	24	9
119578-49670	24	10
119578-49690	24	17
119578-49770	5	17
119578-49870	10	21
119578-49880	10	22
119578-49920	10	23
119578-49930	10	24
119578-49940	10	25
119578-49960	10	11
	11	36
119578-49970	11	14
119578-51280	27	28
119578-51290	27	30
119578-51300	27	31
119578-51330	27	32
119578-51340	27	33
119578-51370	27	34
119578-51410	27	36
119578-51940	27	74
119578-53700	30	5
119578-53701	30	5 -1
119578-53710	30	5 A
119578-53730	30	5 B
119578-53740	30	5 C
119578-53760	30	5 D
119578-53770	30	5 E
119578-54400	28	45
119578-54880	28	69
119578-54900	28	71
119578-54911	28	72
119578-55530	33	2
119578-59010	32	4

Parts No.	Fig. No.	Ref. No.
119578-59020	32	5
119578-59080	32	6
119578-59170	32	11
119578-59220	32	12
119578-59500	31	5
119578-59610	32	14
119578-59710	31	7
119578-59720	31	8
119578-59730	31	9
119578-59740	31	10
119578-59750	31	11
119578-59760	31	12
119578-61050	27	77
119578-61881	27	159
119578-75504	37	10
119578-75505	37	10 -1
119578-75520	37	16
119578-75531	37	17
119578-75540	37	18
119578-75550	37	19
119578-75560	37	20
119578-75590	37	15
119578-75610	37	21
	47	6
119578-75620	37	22
	47	7
119578-75650	37	23
119578-77080	39	10
119578-77140	39	11
119578-77160	39	13
119578-77200	39	14
119578-77360	36	24
119578-77420	36	32
119578-77430	36	33
119578-77440	36	34
119578-77450	11	15
119578-77470	36	35
119578-77491	36	36
119578-77680	40	25
	44	11
119578-77710	40	1
119578-77740	39	3
119578-77741	39	3 -1
119578-77742	39	3 -2
119578-77770	40	2
119578-77780	39	15
119578-77842	37	29
119578-77850	37	30
119578-77881	40	8
119578-77890	40	9

Parts No. Index

Parts No.	Fig. No.	Ref. No.
119578-77891	40	9 -1
119578-77910	39	16
119578-77930	41	4
119578-77940	41	5
119578-77950	41	3
119578-77960	41	6
119578-77970	41	7
119578-77980	46	1
119578-78811	47	8
119578-78820	47	9
119578-81300	42	7
119578-81310	42	8
119578-81320	42	9
119578-81330	42	10
119578-85500	5	18
119578-91300	37	42
		43
119578-91310	37	44
119578-91351	40	26
	44	12
119578-91400	37	45
119578-91630	47	11
119578-91640	47	13
119578-91650	47	13 -1
119578-91900	38	1
119578-99010	47	15
119579-07880	6	12
119579-75101	44	1
119579-75201	44	1 A
119579-75301	44	1 B
119579-75500	44	1 C
119579-75600	44	1 D
119579-75900	44	14
119579-77060	37	50
119579-77070	37	51
119579-77120	37	52
119579-77121	37	52 -1
119579-77122	37	52 -2
119579-77130	37	53
119579-77150	39	12
119579-77190	37	59
119579-77210	36	1
119579-77270	36	22
119579-77680	36	40
119579-77750	37	26
119579-77751	37	26 -1
119579-77760	37	27
119579-77780	37	28
119579-77810	37	51 -1
119588-39450	47	2

Parts No.	Fig. No.	Ref. No.
119593-01732	4	5
119593-01760	1	32
119593-02070	1	15
119593-02420	1	7
119593-08400	5	11
119593-18070	12	31
119593-18071	12	31 -1
119593-18110	12	32
119593-18370	23	9
119593-18800	13	23
119593-18880	12	36
119593-21500	15	14
119593-23200	16	16
119593-32001	18	3
119593-32500	18	4
119593-32530	18	7
119593-32700	18	8
119593-32710	18	9
119593-35100	17	34
119593-35150	17	37
119593-35161	17	38
119593-35191	18	11
119593-35400	17	39
119593-39151	18	37
119593-39450	8	14
	19	2
		35
	32	38
	37	3
	41	1
	45	12
119593-39560	1	33
119593-39620	19	8
119593-39630	19	8 -1
119593-42120	22	7
119593-44560	23	45 -1
119593-49320	25	19
119593-51080	27	11
119593-51090	27	12
119593-59920	32	24
119593-59960	32	34
119595-01800	2	4
119595-07360	6	11
119595-39580	1	36
119595-44801	23	27
119595-59950	32	28 -1
119620-49290	17	11
	23	29
119717-01570	2	6
119717-51420	27	106

Parts No.	Fig. No.	Ref. No.
119773-07280	6	4
119773-08300	5	6
119773-08330	5	7
119773-08340	5	8
119773-08350	5	9
119773-13160	23	5
119773-77030	35	37
119778-26660	37	1
	47	1
119779-49210	11	33
119802-13670	30	4
119802-13671	30	4 -1
119885-01990	1	4
120130-11860	7	7
120130-39990	20	2
120270-42071	22	21
120320-11520	7	41
120324-07240	6	2
120324-55751	34	1
120324-55760	34	2
120445-44640	23	12
120650-91910	38	3
120650-91920	38	4
120650-91930	38	5
120650-91950	38	6
120650-91960	38	2
121254-77810	35	34
121400-11340	7	21
121575-49310	37	4
121750-59890	18	27
	37	8
121750-59910	32	23
121850-21920	15	5 A
121850-51700	27	70
121950-28420	18	2
121952-51900	27	73
122210-92601	43	3
122780-59100	31	2
123210-09310	23	8
123325-59420	32	1
	34	14
123372-59100	31	3
123472-59120	31	4
123672-21500	15	8
123672-21861	15	10
123672-34040	17	24
123672-34070	17	26
123672-34350	17	27
123672-55750	33	8
123672-55760	33	9

Parts No.	Fig. No.	Ref. No.
123672-55811	34	13
123678-55700	33	6
123678-55720	33	7
123678-55770	33	10
123678-55790	33	11
123678-55850	33	12
123678-55860	33	13
123678-55870	33	14
123678-55880	33	15
123678-55890	33	16
123682-07852	6	8
123900-01780	2	3
123907-59560	32	13
124160-01751	8	3
124160-39140	19	1
		19
		34
124195-49100	25	17
124410-51861	28	24
124411-01780	3	3
124411-28400	1	28
	18	1
124413-39100	20	1
124460-11340	7	22
124610-51970	27	122
124617-91850	47	14
124699-11230	7	27
		31
124790-44560	23	46
126684-77962	37	55
127410-21480	15	18
127495-08320	5	10
127605-48590	22	23
127610-11750	23	3
127610-11760	23	4
127610-92750	43	4
127616-11920	30	3
127677-18420	12	46 -1
127677-18440	12	47
127677-18520	13	6 -2
127677-77050	39	9
127677-77250	37	15 -1
127687-18910	13	24
127691-52010	27	171
	28	1
127698-77110	37	50 -1
127698-77700	37	49 -1
127881-11420	31	1
127881-18180	13	25
127881-49190	10	10

Parts No. Index

Parts No.	Fig. No.	Ref. No.
127881-49190	10	19
128171-07150	6	1
128296-07190	6	13
128296-07260	6	3
128296-07300	6	5
128296-07350	6	6
128296-07400	6	14
128296-07420	6	15
128296-07450	6	16
128296-07460	6	17
128371-01800	3	4
128377-59860	32	22
128623-44210	23	11
129054-42450	27	121
129100-01580	1	11
		12
129150-11750	7	28
		32
129150-11810	7	9
129155-51020	27	111 -1
129271-49110	8	22
129400-77640	35	28
129465-61071	27	124
129695-77360	14	18
132310-49250	24	13
135310-34030	17	23
144626-51090	27	13
144626-54572	7	50
148616-59430	32	2
		7
158553-51090	27	14
158557-61720	27	84
		37
		41
158563-51420	28	27
158600-51410	27	37
160890-01210	14	11
163010-91940	38	7
171008-77410	35	3 -1
171008-77450	35	8
171301-01640	4	2
177040-09050	43	1
177524-02210	15	22
177524-02211	15	22 -1
177524-02221	15	23
177524-02230	15	24
177524-03701	15	25
177524-80110	42	4
177524-80120	42	5
177524-80130	42	6
177525-80010	42	1

Parts No.	Fig. No.	Ref. No.
177525-80020	42	2
177525-80030	42	3
194250-51660	37	5
196630-12980	6	10
198535-52110	37	12
198535-52120	37	13
198535-52140	37	14
1E6910-82500	36	41
	39	4
	41	8
	46	2
22117-080000	11	16
22117-140000	21	22
22137-080000	4	6
	17	18
	34	17
22137-100000	23	42
	36	25
22137-120000	35	40
22157-080000	36	37
	37	31
	39	5
		17
	40	10
22190-060002	27	91
		162
	32	15
22190-080002	8	18
	13	13
	19	29
		51
	23	36
	32	16
	45	16
22190-100002	17	9
		28
	19	13
		30
		45
22190-120002	9	3
	27	94
		163
	37	46
22190-140002	19	31
	32	9
		10
		36
		37
22190-160002	27	164
22190-240002	23	21

Parts No.	Fig. No.	Ref. No.
22217-060000	28	22
22217-080000	34	18
	35	41
22217-120000	35	42
22217-270000	5	12
22252-000370	16	10
22312-080160	2	2
22351-040010	1	14
	29	7
22351-050010	27	96
22351-050016	27	97
		98
22351-080016	1	13
22512-070140	14	6
22512-070220	15	12
22522-050160	21	23
23010-013000	23	47
23061-070300	23	43
23080-012000	8	24
23297-080081	19	32
	23	37
23297-270081	37	2 -1
23414-130000	10	8 B
		16 B
	11	10
		29
23414-140000	32	3
	34	20
23414-170000	12	40
23414-210027	37	58
23414-220000	17	29
23414-220029	27	99
23857-030000	19	52
	23	38
	32	17
23857-080000	34	21
23871-010000	17	30
23875-030000	23	6
	25	2
		5
23876-010000	7	12
23876-020000	7	13
23887-100002	17	10
		31
23887-120002	9	4
23887-160002	27	165
23893-020002	10	8 C
		16 C
	11	11
		30

Parts No.	Fig. No.	Ref. No.
23894-030002	12	41
24190-090001	15	5
24190-320001	45	7
24311-000140	3	7
24311-000320	8	6
24311-000400	13	11
	22	28
	23	34
	24	11
	25	9
24311-000480	25	10
24311-350220	7	23 C
24314-000200	18	28
		38
24314-000220	18	41
24314-000280	18	12
24316-000050	28	67
24316-000150	30	6
24316-000200	19	14
24321-000450	22	11
24321-001500	17	6
24324-000250	18	29
	19	15
24327-000850	27	104
24341-000080	27	105
24341-000100	4	16
24341-000240	4	4
24341-000850	21	24
24341-001350	28	70
24356-190160	27	75
26013-080182	18	13
		39
26014-060162	35	35
26106-060082	19	53
26106-060102	47	17
26106-060122	18	30
	27	167
	39	18
26106-060142	27	108
26106-060162	27	109
	37	32
		47
	39	19
	41	9
	45	8
26106-060202	27	168
	31	13
26106-060222	27	169
26106-060252	27	170
26106-060402	31	14

Parts No. Index

Parts No.	Fig. No.	Ref. No.
26106-060452	27	170 A
26106-060502	27	170 B
	40	27
26106-060552	45	9
26106-080102	10	12
	11	37
26106-080122	8	19
		23
	11	38
	13	14
	18	31
	19	33
		46
		54
	23	24
	25	23
	32	8
		39
	36	38
	37	33
		34
		35
		57
	40	11
		12
	41	10
	45	17
	47	18
		19
		20
		21
26106-080142	10	13
	11	17
		39
	47	22
26106-080162	4	17
	5	19
	10	26
	13	15
	14	10
	15	6
	18	32
	19	16
		47
	22	12
	23	23
	24	12
	29	9
	37	54
	40	4

Parts No.	Fig. No.	Ref. No.
26106-080162	40	29
26106-080202	2	9
	11	40
	13	16
	17	16
	18	33
	19	55
	21	25
	23	13
	29	10
	36	39
	37	36
	39	6
	40	13
	47	23 -1
26106-080222	23	44
	39	20
26106-080252	4	7
	17	7
		41
	18	14
		34
		40
	19	17
	22	29
	23	18
	25	11
	29	11
	36	27
	40	28
		30
	44	13
26106-080302	2	10
	4	18
	13	8
	15	29
	17	42
	47	23
26106-080352	1	30
	4	8
	13	9
	23	19
26106-080402	7	47
	13	12
	23	35
	24	3
	25	12
	29	12
	34	22
26106-080452	2	11

Parts No.	Fig. No.	Ref. No.
26106-080452	2	12
	17	8
		32
26106-080502	1	31
	8	25
	17	33
	18	35
	29	13
26106-080552	18	36
	23	20
26106-080652	2	13
	25	13
26106-080702	7	48
	25	14
26106-080752	4	19
26106-080802	2	14
	13	17
		17 -1
	22	17
26106-080852	2	15
	13	28
26106-080902	4	9
	22	18
	25	15
26106-081202	4	10
26106-100142	5	20
26106-100162	22	19
26106-100182	12	42
		43
26106-100202	34	23
26106-100222	12	44
	15	13
	19	18
26106-100252	5	21
	9	5
	29	14
26106-100302	3	5
	5	22
26106-100352	3	6
	15	21
26106-100552	18	10
26106-100802	29	15
26106-100902	9	6
26116-081252	17	19
26116-081452	17	20
26116-101202	36	28
26116-120252	5	4
26116-120302	5	5
	35	43
26204-120302	24	14

Parts No.	Fig. No.	Ref. No.
26213-100252	12	45
26216-060162	27	111
26216-080202	27	112
26223-100252	12	46
26226-080502	13	18
26306-080002	5	23
	13	19
	21	26
	29	8
	34	15
	35	44
	36	26
	37	37
	40	14
26306-100002	28	73
	33	3
	36	29
26366-040002	47	24
26366-060002	31	15
	37	38
	40	5
	47	25
26366-080002	11	18
		41
	47	26
26366-100002	37	48
26450-060252	27	117
26450-060502	28	68
26476-050102	8	7
26557-040102	35	36
26557-040122	39	21
26557-040202	47	27
26557-060082	27	170 D
26577-060202	22	13
26577-080162	22	14
26703-100002	12	39
26706-100002	34	16
26716-060002	28	23
26736-140002	21	27
26756-080002	7	42
26756-100002	33	4
26776-270002	5	13
27210-200200	23	22
27231-650000	1	8
27241-160000	1	9
	7	14
27241-300000	7	15
27241-400000	7	16
27310-080001	7	23
28110-080100	43	15

Parts No. Index

Parts No.	Fig. No.	Ref. No.
28110-100130	43	5
		16
28110-120140	43	6
		17
28110-170190	43	7
		18
28110-220240	43	8
28120-002000	43	9
28170-001500	43	10
28230-120300	43	11
29622-250001	37	5 -1
41650-501180	33	18
41650-550310	33	5
41650-550810	33	17
43230-556830	23	48
43590-400090	24	15
43662-040022	24	16
719195-92500	43	12
719573-01540	4	1
719578-01560	1	1
719578-11701	7	1
719578-13500	10	8
		16
	11	8
		27
719578-18101	13	1 -1
719578-18102	13	1 -2
719578-18103	13	1 -3
719578-22721	16	1
719578-22730	16	1 -1
719578-23700	16	11
719578-33100	17	1
719578-44100	23	1
719578-51330	27	1
719578-51340	27	1 A
719578-51350	27	1 B
719579-18100	13	1
719593-02590	1	19
719593-02800	1	16
777524-02121	15	20
977780-02411	26	1
977780-03000	26	9
X0044021509	26	7
X0225002201	23	49
X0271141040	28	17
		18
X0293314230	28	19
		20
X0293316030	28	11
X0293326030	28	6

Parts No.	Fig. No.	Ref. No.
X0296316060	28	12
X0297314680	28	16
X0300120414	34	8
X0311121522	34	6
X0313080922	34	12
X0314080110	34	10
X0318121011	26	2
X0580121073	34	7
X0582810173	34	5
X0588080273	34	11
X0588530373	17	35
		40
X0600160122	34	9
X0993071171	34	12 A
X1521001120	28	3
X1521021300	28	4
X1521051500	28	5
X1521114020	28	7
X1521150500	28	8
X1521160200	28	9
X1521170100	28	10
X1521210400	28	13
X1522006720	28	14
X1523005920	28	15
X1523200100	28	21
X158606402X	26	3
X179100022X	26	5
X179100100X	26	6
X199906101X	26	8
X2130350900	35	3
X2240610100	35	16
X2740134002	34	3
X6201SD	36	4
X6303BM	36	18
X8636008003	26	4
XJD532012	12	26
XL12013262	36	10
XL13513134	36	13
XL15018015	36	19
XL1501810	36	20
XL15028001	36	21
XL150M14041	36	17
XL2256310	36	14
XL2352318	36	8
XL2353318	36	12
XL23534011	36	16
XL23552001	36	5
XL2355320	36	15
XL2356100	36	3
XL23573002	36	6

Parts No.	Fig. No.	Ref. No.
XL23583011	36	7
XL235G3330	36	9
XLTR2Z46	36	11
XNB133206	12	24
XNH171881	12	4
XNH172003	12	2
XNH172504	12	10
XNH173440	12	21
XNH174404	12	14
XNH174858	12	13
XNH175702	12	9
XNH178265	12	17
XNH191305	12	6
XNH193006	12	23
XNH261605	12	5
XNH271351	12	3
XNH273502	12	12
XNH362809	12	20
XNH747101	12	15
XNH964291	12	25
XNH964293	12	27
XNN137007	12	19
XNN137423	12	18
XNN171107	12	7
XNN171110	12	8
XNN173204	12	22
XNN173504	12	11
XNN976662	12	28

Parts No.	Fig. No.	Ref. No.
-----------	----------	----------