



# MARINE

## PRODUCT CATALOG





**PENTAIR SHURFLO\***  
THE INDUSTRY'S LEADING  
MARINE PLUMBING SOLUTIONS  
PROVIDER FOR MORE THAN 45 YEARS



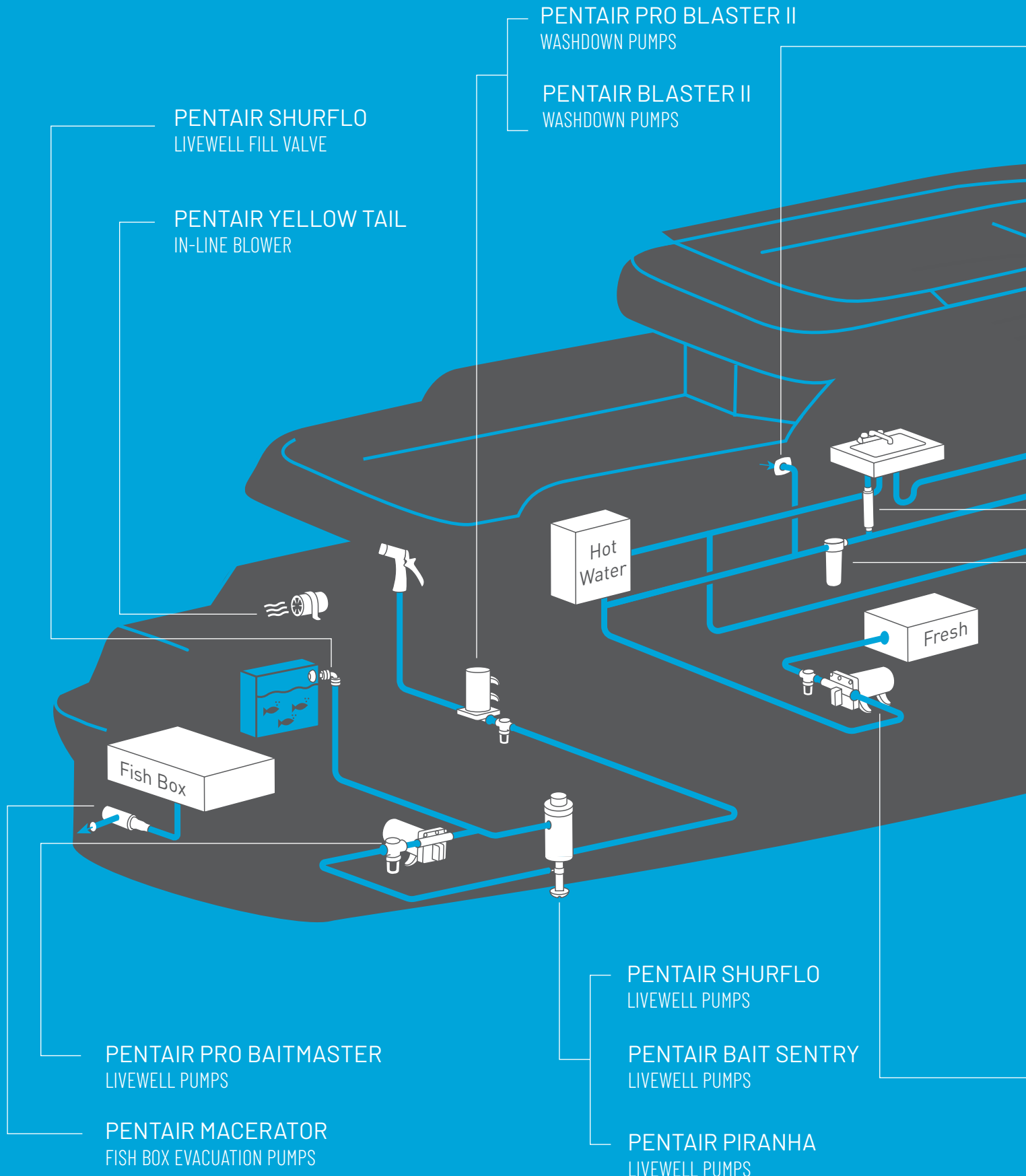
# MARINE PRODUCTS

## TABLE OF CONTENTS

- 1 MARINE PLUMBING SYSTEM**
- 3 FRESH WATER PUMPS & FAUCETS**
- 5 WASHDOWN PUMPS**
- 7 LIVEWELL PUMPS**
- 9 BALLAST PUMPS**
- 10 BILGE PUMPS**
- 11 MARINE BLOWERS IN-LINE & MACERATOR PUMPS**
- 12 GENERAL PURPOSE PUMPS & ACCESSORIES**
- 14 WATER FILTRATION**
- 17 PUMP FITTINGS**
- 18 PUMP REPAIR & REBUILD KITS**
- 24 INSTALLATION GUIDELINES**

# PENTAIR SHURFLO\* MARINE PLUMBING SYSTEM

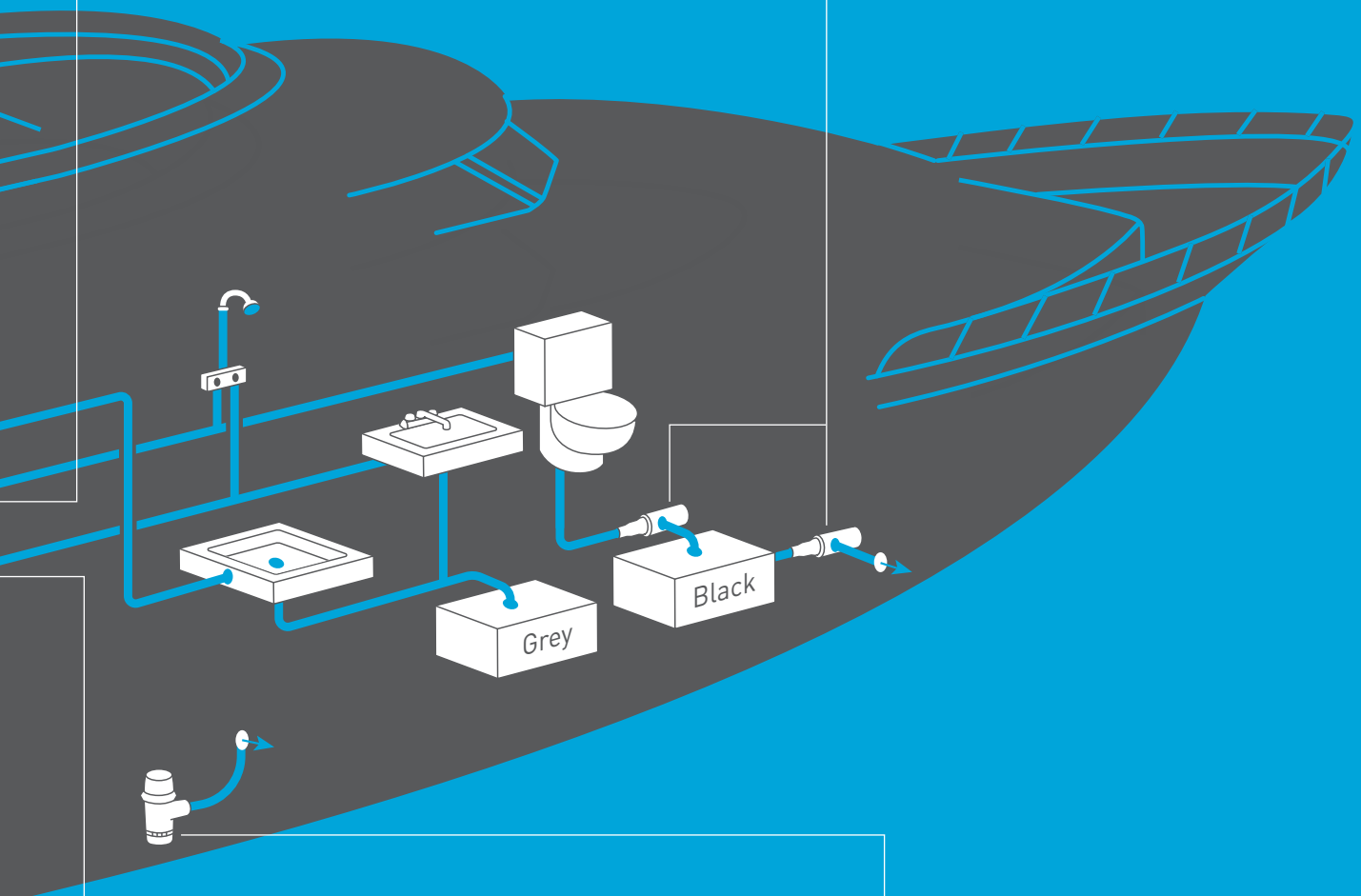
ALL MAJOR PLUMBING COMPONENTS



PENTAIR SHURFLO  
PRESSURE REDUCING CITY WATER ENTRY

PENTAIR MACERATOR  
SANITATION EVACUATION

PENTAIR IN-LINE WATER FILTER



PENTAIR WATERGUARD\*  
WATER FILTRATION

PENTAIR SHURFLO  
BILGE PUMPS

PENTAIR EVERPURE\*  
WATER FILTRATION

PENTAIR AQUA KING\* II  
FRESH WATER PUMPS

# FRESH WATER PUMPS

## PENTAIR SHURFLO® AQUA KING® II FRESH WATER PUMPS 2.0 GPM & 3.0 GPM



CE

| Name                              | OEM Model # (Aftermarket)   | Description                                 | Voltage | Dimensions                             | Flow Rate           | Amps (Max.) | Shut-Off Pressure |
|-----------------------------------|-----------------------------|---|---------|--|---------------------|-------------|-------------------|
| Shurflo Aqua King II Junior 2.0   | 4128-110-A04 (4128-110-E04) | Intermittent Duty Up to 2 Fixtures          | 12 VDC  | 8.2" x 4.9" x 4.1" [208 x 124 x 104mm] | 2.0 GPM [7.6 LPM]   | 3.5         | 30 PSI [2.0 BAR]  |
| Shurflo Aqua King II Standard 3.0 | 4138-111-A65 (4138-111-E65) | Intermittent Duty Multi-Fixture Application | 12 VDC  | 8.2" x 4.9" x 4.1" [208 x 124 x 104mm] | 3.0 GPM [11.35 LPM] | 6.5         | 55 PSI [3.8 BAR]  |
| Shurflo Aqua King II Standard 3.0 | 4138-131-A65 (4138-131-E65) | Intermittent Duty Multi-Fixture Application | 24 VDC  | 8.2" x 4.9" x 4.1" [208 x 124 x 104mm] | 3.0 GPM [11.35 LPM] | 3.8         | 55 PSI [3.8 BAR]  |

Pentair Shurflo Aqua King II Junior and Standard Fresh Water Pumps are designed with unique over-molded single piece diaphragm and internal bypass (3.0 version only) to enable long life and top performance in all plumbing systems. These fresh water automatic demand pumps are quiet and can run dry without damage. Sealed switch. Ignition protected. Thermally protected. 2 each 1/2" hose barb fittings are included (aftermarket models only).

**3 Year Warranty**

## PENTAIR SHURFLO AQUA KING II FRESH WATER PUMPS 4.0



CE

| Name                             | OEM Model # (Aftermarket)   | Description                                 | Voltage | Dimensions                           | Flow Rate          | Amps (Max.) | Shut-Off Pressure |
|----------------------------------|-----------------------------|---|---------|--------------------------------------|--------------------|-------------|-------------------|
| Shurflo Aqua King II Premium 4.0 | 4148-153-A75 (4148-153-E75) | Intermittent Duty Multi-Fixture Application | 12 VDC  | 10" x 5" x 4.75" [254 x 127 x 120mm] | 4.0 GPM [15.1 LPM] | 10          | 55 PSI [3.8 BAR]  |
| Shurflo Aqua King II Premium 4.0 | 4148-163-A75 (4148-163-E75) | Intermittent Duty Multi-Fixture Application | 24 VDC  | 10" x 5" x 4.75" [254 x 127 x 120mm] | 4.0 GPM [15.1 LPM] | 5           | 55 PSI [3.8 BAR]  |

Pentair Shurflo Aqua King II Premium Fresh Water Pumps are designed for boats with multi-fixtures providing "just like home" shower pressure. A built-in mechanical bypass function enables these pumps to operate at lower flow conditions with minimal cycling. Featuring heavy duty, seamless shell electro coated motors built to withstand the tough marine environment with o-ring sealed end bells and completely sealed wire entries. Sealed switch. Ignition protected. Thermally protected. Inlet strainer and 2 each 1/2" hose barb fittings are included (aftermarket models only).

**3 Year Warranty**

## PENTAIR SHURFLO AQUA KING II FRESH WATER PUMPS 5.0



CE

| Name                             | OEM Model # (Aftermarket)   | Description                                 | Voltage | Dimensions                           | Flow Rate          | Amps (Max.) | Shut-Off Pressure |
|----------------------------------|-----------------------------|---|---------|--------------------------------------|--------------------|-------------|-------------------|
| Shurflo Aqua King II Supreme 5.0 | 4158-153-A75 (4158-153-E75) | Intermittent Duty Multi-Fixture Application | 12 VDC  | 10" x 5" x 4.75" [254 x 127 x 120mm] | 5.0 GPM [18.9 LPM] | 13          | 55 PSI [3.8 BAR]  |
| Shurflo Aqua King II Supreme 5.0 | 4158-163-A75 (4158-163-E75) | Intermittent Duty Multi-Fixture Application | 24 VDC  | 10" x 5" x 4.75" [254 x 127 x 120mm] | 5.0 GPM [18.9 LPM] | 7           | 55 PSI [3.8 BAR]  |

Pentair Shurflo Aqua King II Supreme Fresh Water Pumps are designed for boats with multi-fixtures providing "just like home" shower pressure. A built-in mechanical bypass function enables these pumps to operate at lower flow conditions with minimal cycling. Featuring heavy duty, seamless shell electro coated motors built to withstand the tough marine environment with o-ring sealed end bells and completely sealed wire entries. Sealed switch. Ignition protected. Thermally protected. Inlet strainer and 2 each 1/2" hose barb fittings are included (aftermarket models only).

**3 Year Warranty**

# FRESH WATER PUMPS

## PENTAIR SHURFLO® HIGH FLOW SYSTEMS

| Name                     | OEM Model # (Aftermarket)      | Description   | Voltage | Flow Rate              | Amps (Max.) | Shut-Off Pressure   |
|--------------------------|--------------------------------|---|---------|------------------------|-------------|---------------------|
| Shurflo High Flow System | 4558-153-E75<br>(4558-153-E75) | 12 VDC High Flow System Pentair Shurflo Aqua King® II Supreme 5.0 GPM and Pentair Shurflo Pro Blaster II Ultimate 5.0 GPM, Manifold Assembly and Mounting Board | 12 VDC  | 10.0 GPM<br>[37.8 LPM] | 13/11       | 55 PSI<br>[3.8 BAR] |
| Shurflo High Flow System | 4558-163-E75<br>(4558-163-E75) | 24 VDC High Flow System Pentair Shurflo Aqua King® II Supreme 5.0 GPM and Pentair Shurflo Pro Blaster II Ultimate 5.0 GPM, Manifold Assembly and Mounting Board | 24 VDC  | 10.0 GPM<br>[37.8 LPM] | 7/6         | 55 PSI<br>[3.8 BAR] |



CE

The most advanced systems available. These fully-automatic, quiet units deliver water smoothly and consistently.

**3 Year Warranty**

## PENTAIR SHURFLO SLV PUMP

| Name        | OEM Model # (Aftermarket) | Description           | Voltage | Dimensions                               | Flow Rate            | Amps (Max.) | Shut-Off Pressure   |
|-------------|---------------------------|-----------------------|---------|--|----------------------|-------------|---------------------|
| Shurflo SLV | 105-003<br>(105-013)      | Automatic Demand Pump | 12 VDC  | 6.8" x 3.9" x 2.5"<br>[170 x 100 x 60mm] | 1.0 GPM<br>[3.8 LPM] | 2.5         | 30 PSI<br>[2.0 BAR] |



CE

This compact automatic demand pump offers durability and dependability making it ideal for low volume, intermittent duty applications. Pentair Shurflo SLV Pumps self-prime up to 2.5 vertical feet while delivering 1.0 GPM.

**1 Year Warranty**

## FAUCETS

| Name                               | OEM Model # (Aftermarket) | Voltage | Ports     | Amps (Max.) | Operation | Spout Rotation | Color  |
|------------------------------------|---------------------------|---------|-----------|-------------|-----------|----------------|--------|
| Electric Faucet with Switch        | 94-009-00<br>(94-009-10)  | 12 VDC  | 3/8" Barb | 3           | Single    | 360°           | White  |
| Electric Faucet with Switch        | 94-009-01<br>(N/A)        | 12 VDC  | 3/8" Barb | 3           | Single    | 360°           | Gray   |
| Electric Faucet and Pump Combo (A) | 94-009-21<br>(94-009-20)  | 12 VDC  | 3/8" Barb | 3           | Single    | 360°           | White  |
| Single Touch Faucet (B)            | 15-045-02<br>(15-045-02)  | N/A     | 1/4"      | N/A         | Single    | Twist          | Chrome |
| Faucet without Switch              | 94-009-32<br>(94-009-12)  | N/A     | 3/8" Barb | N/A         | Single    | 360°           | White  |



CE

Pentair Shurflo faucets offer smooth, easy flow with a washerless ceramic disc design. Versatile 360 degree spout rotation. Easy to use with city water system. 15-045-02 single touch faucet has a 1/4" port and works perfectly with filtration systems.

# WASHDOWN PUMPS

## PENTAIR SHURFLO® BLASTER II WASHDOWN PUMPS



CE

| Name               | OEM Model # (Aftermarket)      | Voltage | Dimension                               | Flow Rate             | Amps (Max.) | Shut-Off Pressure   |
|--------------------|--------------------------------|---------|---|-----------------------|-------------|---------------------|
| Shurflo Blaster II | 4238-121-A07<br>(4238-121-E07) | 12 VDC  | 9" x 4.9" x 4.1"<br>[229 x 124 x 104mm] | 3.5 GPM<br>[13.2 LPM] | 7.5         | 45 PSI<br>[3.1 BAR] |
| Shurflo Blaster II | 4238-141-A07<br>(4238-141-E07) | 24 VDC  | 9" x 4.9" x 4.1"<br>[229 x 124 x 104mm] | 3.5 GPM<br>[13.2 LPM] | 3.5         | 45 PSI<br>[3.1 BAR] |

The Pentair Shurflo Blaster II Washdown Pump design was created with a unique over-molded single-piece diaphragm, assuring long life and top performance in all marine washdown applications. Shurflo Blaster II washdown automatic demand pumps are thermally protected and can run dry without damage. Sealed switch. Ignition protected. 2 each 3/4" hose barb fittings, 1 each 3/4" GHT (M) fitting and nozzle included (aftermarket models only).

**2 Year Warranty**

## PENTAIR PRO BLASTER II WASHDOWN PUMPS



A

| Name                                    | OEM Model # (Aftermarket)      | Voltage | Dimension                               | Flow Rate             | Amps (Max.) | Shut-Off Pressure   |
|---|--------------------------------|---------|---|-----------------------|-------------|---------------------|
| Shurflo Pro Blaster II Deluxe 4.0 (A)   | 4248-153-A09<br>(4248-153-E09) | 12 VDC  | 10" x 5" x 4.75"<br>[254 x 127 x 120mm] | 4.0 GPM<br>[15.1 LPM] | 10          | 60 PSI<br>[4.1 BAR] |
| Shurflo Pro Blaster II Deluxe 4.0 (A)   | 4248-163-A09<br>(4248-163-E09) | 24 VDC  | 10" x 5" x 4.75"<br>[254 x 127 x 120mm] | 4.0 GPM<br>[15.1 LPM] | 5           | 60 PSI<br>[4.1 BAR] |
| Shurflo Pro Blaster II Ultimate 5.0 (B) | 4258-153-A09<br>(4258-153-E09) | 12 VDC  | 10" x 5" x 4.75"<br>[254 x 127 x 120mm] | 5.0 GPM<br>[18.9 LPM] | 14          | 60 PSI<br>[4.1 BAR] |
| Pro Blaster II Ultimate 5.0 (B)         | 4258-163-A09<br>(4258-163-E09) | 24 VDC  | 10" x 5" x 4.75"<br>[254 x 127 x 120mm] | 5.0 GPM<br>[18.9 LPM] | 7           | 60 PSI<br>[4.1 BAR] |

Pentair Shurflo Pro Blaster II Washdown Pumps deliver superior performance, whether you are blasting away the grime on your deck, fish box scaling or anchor chain cleaning. Shurflo Pro Blaster II Washdown Pumps deliver high performance that provide a powerful consistent spray pattern. Built to withstand the tough marine environment with electro-coated motor, o-ring seals and fully sealed wire entries. Sealed switch. Ignition protected. Thermally protected. Inlet strainer, 2 each 3/4" hose barb fittings, 1 each 3/4" GHT (M) fitting and nozzle included (aftermarket models only).

**2 Year Warranty**

## PENTAIR SHURFLO RAW WATER STRAINERS



A



B

CE

| Name                                    | OEM Model # (Aftermarket) | Description    |
|---|---------------------------|----------------|
| 1/2" Strainer (A) with fittings         | 253-120-00 (253-120-01)   | 50 Mesh Screen |
| 1/2" Strainer with bracket & fittings   | 253-121-01 (253-121-01)   | 50 Mesh Screen |
| 3/4" Strainer                           | 253-220-00 (253-220-01)   | 50 Mesh Screen |
| 3/4" Strainer with bracket & fittings   | 253-221-01 (253-221-01)   | 50 Mesh Screen |
| 1" Strainer (B)                         | 253-320-00 (253-320-01)   | 50 Mesh Screen |
| 1" Strainer with bracket & fittings     | 253-321-01 (253-321-01)   | 50 Mesh Screen |
| 1-1/4" Strainer                         | 253-400-00 (253-400-01)   | 20 Mesh Screen |
| 1-1/4" Strainer with bracket & fittings | 253-401-01 (253-401-01)   | 20 Mesh Screen |

Pentair Shurflo Raw Water Strainers are built to keep your bait tank, livewell and washdown pumps protected from harmful debris. Shurflo Raw Water Strainers feature a high capacity, rugged nylon housing with clear twist off polyamide bowl and removable stainless steel screen, which allows for easy inspection and cleaning. An integral o-ring creates a tight seal, eliminating possible leaks.

**1 Year Warranty**



# WASHDOWN PUMPS



## PENTAIR SHURFLO\* BLASTER II WASHDOWN KIT

| Name                                    | OEM Model # (Aftermarket)   | Description  | Dimension                            | Voltage | Flow Rate          | Amps (Max.) | Shut-Off Pressure |
|---|-----------------------------|--|--------------------------------------|---------|--------------------|-------------|-------------------|
| Shurflo Blaster II Washdown Kit 3.5 GPM | 4338-121-A07 (4338-121-E07) | PentairShurflo Blaster II 3.5 Pump, Fittings, Nozzle, Strainer, 25' 3/8" coiled hose | 9" x 4.9" x 4.1" [229 x 124 x 104mm] | 12 VDC  | 3.5 GPM [13.2 LPM] | 7.5         | 45 PSI [3.1 BAR]  |

Pentair Shurflo Blaster II Washdown Kit includes everything you need for washdown applications in fish box, scaling, anchor chain cleaning and blasting down the grimeiest decks all in one convenient package. The kit includes the Pentair Shurflo Blaster II 3.5 GPM pump, nozzle, strainer, fittings and a UV protected 25' coiled hose.

**2 Year Warranty**



## PENTAIR SHURFLO PRO WASHDOWN KIT II

| Name                                       | OEM Model # (Aftermarket)   | Description   | Dimension                            | Voltage | Flow Rate          | Amps (Max.) | Shut-Off Pressure |
|--|-----------------------------|---|--------------------------------------|---------|--------------------|-------------|-------------------|
| Shurflo Pro Washdown Kit II Deluxe 4.0 (A) | 4348-153-A09 (4348-153-E09) | Pentair Shurflo Pro Blaster II Deluxe 4.0 Pump, Fittings, Nozzle, Raw Water Strainer, 25' 3/8" coiled hose    | 10" x 5" x 4.75" [254 x 127 x 120mm] | 12 VDC  | 4.0 GPM [15.1 LPM] | 10          | 60 PSI [4.1 BAR]  |
| Shurflo Pro Washdown Kit II Ultimate 5.0   | 4358-153-A09 (4358-153-E09) | Pentair Shurflo Pro Blaster II Ultimate, 5.0 Pump, Fittings, Nozzle, Raw Water Strainer, 25' 1/2" coiled hose | 10" x 5" x 4.75" [254 x 127 x 120mm] | 12 VDC  | 5.0 GPM [18.9 LPM] | 14          | 60 PSI [4.1 BAR]  |

Pentair Shurflo Pro Washdown Kit II is available in both Deluxe 4.0 and Ultimate 5.0 series. These kits include everything you need for those tough washdown applications in fish box, scaling, anchor chain cleaning and blasting down the grimeiest decks all in one kit! The kits include a washdown pump (Deluxe 4.0 or Ultimate 5.0), fittings, nozzle, raw water strainer and a 25' coiled hose.

**2 Year Warranty**

# LIVEWELL PUMPS

## PENTAIR SHURFLO® PRO BAITMASTER II LIVEWELL PUMPS



CE

| Name                      | OEM Model # (Aftermarket)      | Description   | Voltage | Dimension                               | Flow Rate             | Amps (Max.) | Shut-Off Pressure   |
|---------------------------|--------------------------------|---|---------|---|-----------------------|-------------|---------------------|
| Shurflo Pro Baitmaster II | 4648-153-A07<br>(4648-153-E07) | Continuous Duty, Splash Proof, Sealed Motor, Ignition Protected | 12 VDC  | 10" x 5" x 4.75"<br>[254 x 127 x 120mm] | 4.0 GPM<br>[15.1 LPM] | 8           | 45 PSI<br>[3.1 Bar] |
| Shurflo Pro Baitmaster II | 4648-163-A07<br>(4648-163-E07) | Continuous Duty, Splash Proof, Sealed Motor, Ignition Protected | 24 VDC  | 10" x 5" x 4.75"<br>[254 x 127 x 120mm] | 4.0 GPM<br>[15.1 LPM] | 4           | 45 PSI<br>[3.1 Bar] |

Pentair Shurflo Pro Baitmaster II Heavy Duty Livewell/Washdown Pumps are excellent for livewell or washdown applications in harsh marine environments. The seamless motor shell and sealed switch protects the pump from splashed liquids. Pump is self-priming and can run dry without damage. For tank size 35 gallons and under. Thermally protected. Ignition protected.

**2 Year Warranty**

## PENTAIR SHURFLO BAIT SENTRY LIVEWELL PUMPS



A

CE

| Name  | OEM Model # (Aftermarket)      | Description   | Tank Size (Gallons) | Dimension                      | Port Size Inlet/Outlet               | Flow Rate              | Amps (Max.) |
|---|--------------------------------|---|---------------------|--------------------------------|--------------------------------------|------------------------|-------------|
| Shurflo Bait Sentry 500 Magnetic Drive      | 1700-000-030<br>(1700-001-030) | 12 VDC, Continuous Duty, Ignition Protected, ISO 8846 | 30                  | 4.93" x 7.85"<br>[125 x 200mm] | 3/4" Inlet NPT<br>3/4" Outlet BARB   | 500 GPH<br>[1893 LPH]  | 1.7         |
| Shurflo Bait Sentry 800 Magnetic Drive      | 1700-010-030<br>(1700-011-030) |   | 40                  | 4.93" x 7.85"<br>[125 x 200mm] | 3/4" Inlet NPT<br>3/4" Outlet BARB   | 800 GPH<br>[3028 LPH]  | 4           |
| Shurflo Bait Sentry 1100 Magnetic Drive (A) | 1700-020-030<br>(1700-021-030) |   | 60                  | 4.93" x 7.85"<br>[125 x 200mm] | 3/4" Inlet NPT<br>1-1/8" Outlet BARB | 1100 GPH<br>[4164 LPH] | 4.2         |

Pentair Shurflo Bait Sentry Livewell Pumps are designed for easy installation and trouble-free operation. Magnetic Drive technology eliminates unnecessary failures. Patented anti-airlock feature allows the pump to clear trapped air in rough water or when boat is anchored. Includes dual port for easy washdown pump connection.

**3 Year Warranty**

## PENTAIR SHURFLO HIGH FLOW LIVEWELL PUMPS



CE

| Name                  | OEM Model # (Aftermarket)  | Description   | Voltage | Dimension                | Port Size Inlet/Outlet             | Flow Rate              | Amps (Max.) |
|-----------------------|----------------------------|---|---------|--------------------------|------------------------------------|------------------------|-------------|
| Shurflo Livewell 1500 | 358-001-00<br>(358-001-10) | Anti-Airlock, Tough Nylon Housing, Washdown Port Connection, Submersible, Tinned 6' Wire Assembly, Ignition Protected, ISO 8846 | 12 VDC  | 8.3"x6.2"<br>[210x157mm] | 1" Inlet NPT<br>1-1/8" Outlet BARB | 1500 GPH<br>[5678 LPH] | 8           |
| Shurflo Livewell 2000 | 358-011-00<br>(358-011-10) |   | 12 VDC  | 8.3"x6.2"<br>[210x157mm] | 1" Inlet NPT<br>1-1/8" Outlet BARB | 2000 GPH<br>[7570 LPH] | 10          |
| Shurflo Livewell 1500 | 358-101-00<br>(358-101-10) |   | 24 VDC  | 8.3"x6.2"<br>[210x157mm] | 1" Inlet NPT<br>1-1/8" Outlet BARB | 1500 GPH<br>[5678 LPH] | 4           |
| Shurflo Livewell 2000 | 358-111-00<br>(358-111-10) |   | 24 VDC  | 8.3"x6.2"<br>[210x157mm] | 1" Inlet NPT<br>1-1/8" Outlet BARB | 2000 GPH<br>[7570 LPH] | 5           |

Heavy duty and built to last. Pentair Shurflo Shurflo 1500 and 2000 GPH nylon livewell pumps offer a unique motor cooling system (patent pending) to ensure efficient performance and long life. Designed for large livewell applications and comes standard with 6' tinned wire assembly.

**2 Year Warranty**

# LIVEWELL PUMPS

## PENTAIR SHURFLO® PIRANHA LIVEWELL PUMPS

| Name                  | OEM Model # (Aftermarket) | Description  | Voltage | Dimension                 | Port Size Inlet/Outlet                    | Flow Rate           | Amps (Max.) |
|-----------------------|---------------------------|--|---------|---------------------------|---|---------------------|-------------|
| Shurflo Livewell 600  | 357-013-00 (357-013-10)   | Removable Cartridge, Anti-Airlock, Tough Nylon Housing, Washdown Port Connection, Submersible, Tinned 6' Wire Assembly, Ignition Protected, ISO 8846 | 12 VDC  | 6.5" x 3.75" [165 x 95mm] | 3/4" [19mm] Inlet<br>3/4" [19mm] Outlet   | 600 GPH [2270 LPH]  | 2           |
| Shurflo Livewell 800  | 357-113-00 (357-113-10)   |  | 12 VDC  | 6.5" x 3.75" [165 x 95mm] | 3/4" [19mm] Inlet<br>3/4" [19mm] Outlet   | 800 GPH [3027 LPH]  | 4.5         |
| Shurflo Livewell 1100 | 357-103-00 (357-103-10)   |  | 12 VDC  | 6.5" x 3.75" [165 x 95mm] | 3/4" [19mm] Inlet<br>1-1/8" [29mm] Outlet | 1100 GPH [4163 LPH] | 4.5         |

Smart. Reliable. Attractive. Efficient. Our tough, high density nylon housing and heavy duty water cooled motor give the Shurflo Livewell Pumps unparalleled reliability. Patented anti-airlock feature allows the pump to clear trapped air in rough water or when the boat is anchored. The dual port fitting allows for easy washdown pump connections.

**2 Year Warranty**



CE

## PENTAIR SHURFLO PIRANHA STRAIGHT PORT AERATOR PUMPS

| Name                               | OEM Model # (Aftermarket) | Description  | Voltage | Dimension                 | Port Size Inlet/Outlet                     | Flow Rate           | Amps (Max.) |
|------------------------------------|---------------------------|--|---------|---------------------------|--|---------------------|-------------|
| Shurflo Straight Port Aerator 600  | 357-012-00 (357-012-10)   | Removable Cartridge, Anti-Airlock, Tough Nylon Housing, Submersible, Tinned 6' Wire Assembly, Ignition Protected, ISO 8846 | 12 VDC  | 9.5" x 3.75" [241 x 95mm] | 3/4" [19mm] Inlet<br>3/4" [19mm] Outlet    | 600 GPH [2270 LPH]  | 2           |
| Shurflo Straight Port Aerator 800  | 357-112-00 (357-112-10)   |  | 12 VDC  | 9.5" x 3.75" [241 x 95mm] | 3/4" [19mm] Inlet<br>3/4" [19mm] Outlet    | 800 GPH [3027 LPH]  | 4.5         |
| Shurflo Straight Port Aerator 1100 | 357-102-00 (357-102-10)   |  | 12 VDC  | 9.5" x 3.75" [241 x 95mm] | 3/4" [19 mm] Inlet<br>1-1/8" [29mm] Outlet | 1100 GPH [4163 LPH] | 4.5         |

Smart. Reliable. Attractive. Efficient. Our tough, high density nylon housing and heavy duty water cooled motor give the Pentair Shurflo Livewell Pumps unparalleled reliability. Patented anti-airlock feature allows the pump to clear trapped air in rough water or when the boat is anchored.

**2 Year Warranty**



CE

## PENTAIR SHURFLO PIRANHA ANGLED PORT AERATOR PUMPS

| Name                             | OEM Model # (Aftermarket) | Description  | Voltage | Dimension               | Port Size Inlet/Outlet                     | Flow Rate           | Amps (Max.) |
|----------------------------------|---------------------------|--|---------|-------------------------|--|---------------------|-------------|
| Shurflo Angled Port Aerator 600  | 357-014-00 (357-014-10)   | Removable Cartridge, Anti-Airlock, Tough Nylon Housing, Submersible, Tinned 6' Wire Assembly, Ignition Protected, ISO 8846 | 12 VDC  | 7" x 7.5" [178 x 191mm] | 3/4" [19mm] Inlet<br>3/4" [19mm] Outlet    | 600 GPH [2270 LPH]  | 2           |
| Shurflo Angled Port Aerator 800  | 357-114-00 (357-114-10)   |  | 12 VDC  | 7" x 7.5" [178 x 191mm] | 3/4" [19mm] Inlet<br>3/4" [19mm] Outlet    | 800 GPH [3027 LPH]  | 4.5         |
| Shurflo Angled Port Aerator 1100 | 357-104-00 (357-104-10)   |  | 12 VDC  | 7" x 7.5" [178 x 191mm] | 3/4" [19 mm] Inlet<br>1-1/8" [29mm] Outlet | 1100 GPH [4163 LPH] | 4.5         |

Smart. Reliable. Attractive. Efficient. Our tough, high density nylon housing and heavy duty water cooled motor give the Pentair Shurflo Livewell Pumps unparalleled reliability. Patented anti-airlock feature allows the pump to clear trapped air in rough water or when the boat is anchored.

**2 Year Warranty**



CE

## PENTAIR SHURFLO LIVEWELL FILL VALVE

| Name                        | OEM Model # (Aftermarket) | Description  |
|-----------------------------|---------------------------|--|
| Shurflo Livewell Fill Valve | 330-010(*330-021)         | Nylon Construction, 3/4" Full Port, Low Profile Design   |
| Shurflo Livewell Fill Valve | 330-000(*330-021)         | Nylon Construction, 1-1/8" Full Port, Low Profile Design |

\*Includes both 3/4" and 1-1/8" Full Port Fittings

Keep your bait alive. Pentair Shurflo Livewell Fill Valve creates an energized environment that "keeps your bait alive." The full port fittings (3/4" or 1-1/8") assure the amount of flow required is achieved and maintained. The adjustable flow valve allows you to adjust the water flow to your desired amount.

**3 Year Warranty**



CE

# BALLAST PUMPS



CE

## PENTAIR SHURFLO\* PIRANHA BALLAST PUMPS

| Name                     | OEM Model # (Aftermarket) | Description  | Voltage | Dimension                | Port Size Inlet/Outlet                | Flow Rate           | Amps (Max.) |
|--------------------------|---------------------------|--|---------|--------------------------|---------------------------------------|---------------------|-------------|
| Shurflo Ballast 800      | 357-116-00 [357-116-10]   | Removable Cartridge, Anti-Airlock, Tough Nylon Housing, Submersible, Tinned 6' Wire Assembly, Ignition Protected, ISO 8846 | 12 VDC  | 5.6" x 3.7" [142 x 94mm] | 3/4" MNPT inlet<br>3/4" barb outlet   | 800 GPH [3027 LPH]  | 4.5         |
| Shurflo Ballast 1100 (A) | 357-106-00 [357-106-10]   |  | 12 VDC  | 5.6" x 3.7" [142 x 94mm] | 3/4" MNPT inlet<br>1-1/8" barb outlet | 1100 GPH [4163 LPH] | 4.5         |

Everything you are looking for in a ballast pump. Our tough, high density nylon housing and heavy duty water cooled motor give the Pentair Shurflo Piranha Ballast Pumps unparalleled reliability. Patented anti-airlock feature allows the pump to clear trapped air. All Pentair Shurflo Ballast Series Pumps have a removable cartridge for easy cleaning and ease of replacement.

**2 Year Warranty**

## PENTAIR SHURFLO HIGH FLOW BALLAST PUMPS

| Name                      | OEM Model # (Aftermarket) | Description  | Voltage | Dimension                                 | Port Size Inlet/Outlet                                    | Flow Rate         | Amps (Max.) |
|---------------------------|---------------------------|--|---------|---|---|-------------------|-------------|
| Shurflo High Flow Ballast | 3300-000 [3300-001]       | Reversible Flexible Impeller, Self Priming, Bronze Pump Body, Corrosion Resistant Electro-coated Motor, Ignition Protected | 12 VDC  | 7.67" X 4.75" X 3.61" [195 X 121 X 92 mm] | 1/2"[12.7mm] Internal Pipe Thread<br>1"[25.4mm] Hose Barb | 15 GPM [56.8 LPM] | 19          |

Pentair Shurflo High Flow Ballast Pump was specially designed and developed for high capacity ballast tank applications in ski and wake boats, providing rapid fill and drain rates in a readily adaptable configuration, able to operate on a 25 Amp circuit. The high efficiency, high torque motor in combination with a high modulus neoprene compound impeller provide fast priming, long life, and consistent performance. Close internal tolerances help reduce leak back when the pump is mounted below the ballast tank. Pentair Shurflo High Flow Ballast is built on the latest Shurflo motor series which includes fully sealed heavy die cast end bells, electro-coat finish throughout, and a steel mounting plate for reliable performance and durability in engine compartment conditions.

**1 Year Warranty**

## PENTAIR SHURFLO STANDARD BALLAST PUMPS

| Name                          | OEM Model # (Aftermarket) | Description  | Voltage | Dimension                                 | Port Size Inlet/Outlet                                    | Flow Rate         | Amps (Max.) |
|-------------------------------|---------------------------|--|---------|---|---|-------------------|-------------|
| Shurflo Standard Flow Ballast | 3300-100 [3300-101]       | Reversible Flexible Impeller, Self Priming, Bronze Pump Body, Corrosion Resistant Electro-coated Motor, Ignition Protected | 12 VDC  | 6.62" X 4.75" X 6.61" [168 X 121 X 168mm] | 1/2"[12.7mm] Internal Pipe Thread<br>1"[25.4mm] Hose Barb | 12 GPM [45.7 LPM] | 15          |

Pentair Shurflo Standard Ballast Pump was specially designed and developed for high capacity ballast tank applications in ski and wake boats, providing rapid fill and drain rates in a readily adaptable configuration, able to operate on a 25 Amp circuit. The high efficiency, high torque motor in combination with a high modulus neoprene compound impeller provide fast priming, long life, and consistent performance. Close internal tolerances help reduce leak back when the pump is mounted below the ballast tank. Pentair Shurflo Standard Ballast is built on the latest Pentair Shurflo motor series which includes fully sealed heavy die cast end bells, electro-coat finish throughout, and a steel mounting plate for reliable performance and durability in engine compartment conditions.

**1 Year Warranty**

# BILGE PUMPS

## PENTAIR SHURFLO® 380 - 1000 GPH BILGE PUMPS

| Name               | OEM Model # (Aftermarket)  | Description  | Voltage | Dimension                    | Round Footprint  | Port Size Outlet | Flow Rate              | Amps (Max.) |
|--------------------|----------------------------|--|---------|------------------------------|------------------|------------------|------------------------|-------------|
| Shurflo Bilge 380  | 355-020-00<br>[355-020-10] | Continuous Duty, Submersible with 3' Tinned Wire Assembly, Anti-Airlock, ABS Housing w/ Nylon Impeller, Ignition Protected, ISO 8849 | 12 VDC  | 4.2" x 3.75"<br>[114 x 95mm] | 2-3/8"<br>[86mm] | 3/4"<br>[19mm]   | 380 GPH<br>[1438 LPH]  | 1.7         |
| Shurflo Bilge 500  | 355-010-00<br>[355-010-10] |  | 12 VDC  | 4.2" x 3.75"<br>[114 x 95mm] | 2-3/8"<br>[86mm] | 3/4"<br>[19mm]   | 500 GPH<br>[1893 LPH]  | 1.8         |
| Shurflo Bilge 700  | 355-110-00<br>[355-110-10] |  | 12 VDC  | 4.2" x 3.75"<br>[114 x 95mm] | 2-3/8"<br>[86mm] | 3/4"<br>[19mm]   | 700 GPH<br>[2650 LPH]  | 3.2         |
| Shurflo Bilge 1000 | 355-100-00<br>[355-100-10] |  | 12 VDC  | 4.2" x 3.75"<br>[114 x 95mm] | 2-3/8"<br>[86mm] | 1-1/8"<br>[29mm] | 1000 GPH<br>[3785 LPH] | 3.2         |



CE

Quality bilge pumps you can trust. Pentair Shurflo bilge pumps are built for the harsh marine environment to withstand the toughest conditions. Standard with 3' tinned wire assembly for below waterline installations.

**3 Year Warranty**

## PENTAIR SHURFLO 1500 - 2000 GPH BILGE PUMPS

| Name               | OEM Model # (Aftermarket)  | Description  | Voltage | Dimension                    | Port Size Outlet      | Flow Rate              | Amps (Max.) |
|--------------------|----------------------------|--|---------|------------------------------|-----------------------|------------------------|-------------|
| Shurflo Bilge 1500 | 358-000-00<br>[358-000-10] | Continuous Duty, Submersible with 6' [1.8 m] Tinned Wire Assembly. Anti-Air lock, Swivel Baseplate, Ignition Protected, ISO 8849 | 12 VDC  | 7.2" x 6.3"<br>[184 x 160mm] | 1-1/8"<br>Outlet Barb | 1500 GPH<br>[5677 LPH] | 8           |
| Shurflo Bilge 2000 | 358-010-00<br>[358-010-10] |  | 12 VDC  | 7.2" x 6.3"<br>[184 x 160mm] | 1-1/8"<br>Outlet Barb | 2000 GPH<br>[7569 LPH] | 10          |
| Shurflo Bilge 1500 | 358-100-00<br>[358-100-10] |  | 24 VDC  | 7.2" x 6.3"<br>[184 x 160mm] | 1-1/8"<br>Outlet Barb | 1500 GPH<br>[5677 LPH] | 4           |
| Shurflo Bilge 2000 | 358-110-00<br>[358-110-10] |  | 24 VDC  | 7.2" x 6.3"<br>[184 x 160mm] | 1-1/8"<br>Outlet Barb | 2000 GPH<br>[7569 LPH] | 5           |



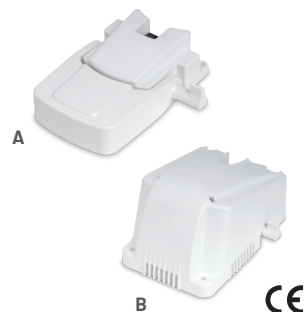
CE

Heavy duty and built to last. Pentair Shurflo 1500 and 2000 GPH nylon bilge pumps offer a unique motor cooling system (patent pending) to ensure efficient performance and long life. Installation is a snap with our patented swivel base and 6' tinned wire assembly.

**3 Year Warranty**

## PENTAIR SHURFLO BILGE SWITCH

| Name  | OEM Model # (Aftermarket)  | Description  | Voltage   | Dimension                                | Amps (Max.) |
|---|----------------------------|--|-----------|--|-------------|
| Shurflo Standard Automatic Float Switch (A) | 359-101-30<br>[359-111-30] | Non-Mercury, Remote or Direct Mounting 3' Tinned Wire Assembly, Ignition Protected, ISO 8849 | 12/24 VDC | 4.4" x 3.6" x 1.3"<br>[112 x 92 x 32mm]  | 12          |
| Shurflo Caged Automatic Float Switch (B)    | 359-101-40<br>[359-111-40] | Non-Mercury, Remote or Direct Mounting 3' Tinned Wire Assembly, Ignition Protected, ISO 8849 | 12/24 VDC | 5.1" x 4.0" x 2.8"<br>[130 x 102 x 71mm] | 12          |

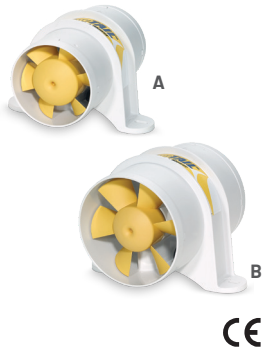


CE

Pentair Shurflo series float switches provide the ultimate in reliability for your boat. Complete line includes a standard automatic float switch and a caged automatic float switch.

**3 Year Warranty**

# IN-LINE BLOWERS



## PENTAIR SHURFLO® YELLOWTAIL IN-LINE BLOWERS

| Name                             | OEM Model # (Aftermarket) | Description  | Dimension                                 | CFM | Amps (Max.) |
|----------------------------------|---------------------------|--|---|-----|-------------|
| Shurflo 3" YellowTail Blower (A) | 277-3100<br>[277-3110]    | 12 VDC, CE, Continuous Duty, ISO 9097 Marine, Ignition Protected, USCG 183.410 Compliant, NMMA Type Accepted, ABYC | 5.1" x 5.5" x 3.8"<br>[130 x 140 x 96mm]  | 120 | 3.7         |
| Shurflo 4" YellowTail Blower (B) | 277-4100<br>[277-4110]    | 12 VDC, CE, Continuous Duty, ISO 9097 Marine, Ignition Protected, USCG 183.410 Compliant, NMMA Type Accepted, ABYC | 5.1" x 6.4" x 4.8"<br>[130 x 162 x 122mm] | 220 | 5.2         |

Pentair Shurflo has developed a unique nylon fan that includes 6 blades to ensure high performance and efficient ventilation. Installation of the Pentair Shurflo Yellowtail Blower is made easy with extended barbs and slotted mounting bracket.

**3 Year Warranty**

# MACERATOR PUMPS



## PENTAIR SHURFLO MACERATOR PUMPS

| Name                                     | OEM Model # (Aftermarket) | Voltage | Dimension                                 | Flow Rate          | Amps (Max.) | Port Size  |
|--|---------------------------|---------|---|--------------------|-------------|--|
| Shurflo Macerator 12 VDC (A)             | 3200-000<br>[3200-001]    | 12 VDC  | 10.6" x 4.9" x 3.8"<br>[269 x 125 x 97mm] | 13 GPM<br>[49 LPM] | 17          | Inlet 1-1/2" Barb/<br>1-1/2" NPT<br>Outlet 1" Barb |
| Shurflo Macerator 12 VDC 180 Degree Port | 3200-100<br>[3200-101]    | 12 VDC  | 10.6" x 4.9" x 3.8"<br>[269 x 125 x 97mm] | 13 GPM<br>[49 LPM] | 17          | Inlet 1-1/2" Barb/<br>1-1/2" NPT<br>Outlet 1" Barb |
| Shurflo Macerator 24 VDC                 | 3200-010<br>[3200-011]    | 24 VDC  | 10.6" x 4.9" x 3.8"<br>[269 x 125 x 97mm] | 13 GPM<br>[49 LPM] | 9           | Inlet 1-1/2" Barb/<br>1-1/2" NPT<br>Outlet 1" Barb |
| Shurflo Macerator 24 VDC 180 Degree Port | 3200-110                  | 24 VDC  | 10.6" x 4.9" x 3.8"<br>[269 x 125 x 97mm] | 13 GPM<br>[49 LPM] | 9           | Inlet 1-1/2" Barb/<br>1-1/2" NPT<br>Outlet 1" Barb |

Designed specifically for sanitation waste and fish box evacuations, Pentair Shurflo Macerator Pumps features a premium impeller design with run-dry capability and includes our seamless shell motor with o-ring sealed end bells and a sealed manual turn key. The unique dual blade and housing construction ensure reliable pumping, providing superior performance in harsh marine environments. Thermally protected and ignition protected.

**1 Year Warranty**

# GENERAL PURPOSE PUMPS

## PENTAIR SHURFLO GENERAL PURPOSE PUMPS

| Name                                      | OEM Model # (Aftermarket)      | Description   | Dimensions                                | Flow Rate            | Amps (Max.) | Port Size  |
|---|--------------------------------|---|---|----------------------|-------------|------------|
| Shurflo General Purpose Pump Standard (A) | 8050-305-526<br>[8050-305-526] | 12 VDC - Ignition Protected. BUNA Valves, CE, 7' [2.1m] Prime, Hose kit Included, Uses: Winterizing, Oil Change and Liquid Transfers                              | 6.5" x 4.5" x 4.3"<br>[165 x 114 x 108mm] | 1.5 GPM<br>[5.6 LPM] | 4           | 3/8" F NPT |
| Shurflo General Purpose Pump Premium (B)  | 8050-305-626<br>[8050-305-626] | 12 VDC - Ignition Protected. BUNA Valves, CE, 7' [2.1m] Prime, 8' Cable with Battery Clips, Hose kit Included, Uses: Winterizing, Oil Change and Liquid Transfers | 7.8" x 4.5" x 4.3"<br>[198 x 114 x 108mm] | 1.5 GPM<br>[5.6 LPM] | 4           | 3/8" F NPT |
| Shurflo Oil Change/Winterizing System (C) | 8050-305-426<br>[8050-305-426] | 12 VDC - 8' [2.4 m] Cable w/ Battery Clips, CE, Hose kit and 3.5 Gal [13L] Storage Container, Uses: Oil changing, winterizing and liquid transfer                 | 16" H x 12.5" D<br>[406 x 318mm]          | 1.5 GPM<br>[5.6 LPM] | 4           | 3/8" F NPT |
| Shurflo Drill Pump (D)                    | 3010-000<br>[3010-000]         | 1/4" [6mm] Drill Shaft - Flexible BUNA Impeller, 8' [2.4m] Prime, Uses: Oil Change and Liquid Transfers   | -   | 200 GPH<br>[757 LPH] | -           | 3/4" GSH M |

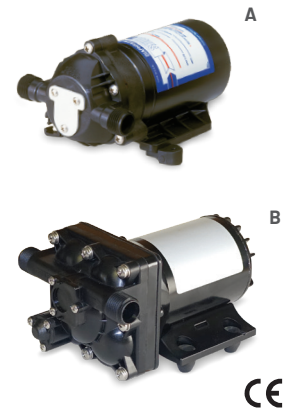


Easy to install and are extremely versatile—perfect for a variety of uses including winterizing, oil changing and liquid transfer. Thermally protected.

**1 Year Warranty**

## PENTAIR SHURFLO SPECIALTY PUMPS

| Name                                       | OEM Model # (Aftermarket)      | Description  | Dimensions                                | Flow Rate            | Amps (Max.) | Maximum Pressure    |
|--|--------------------------------|--|---|----------------------|-------------|---------------------|
| Shurflo Refrigeration Circulation Pump (A) | 8050-261-105<br>[8050-261-105] | 12 VDC-CE Version, No switch, Continuous Duty Motor, Cold Plate Refrigeration Pump | 7.3" x 4.3" x 4.4"<br>[185 x 109 x 112mm] | 0.5 GPM<br>[1.9 LPM] | 1.5         | 30 PSI<br>[2.1 BAR] |
| Shurflo Refrigeration Circulation Pump (B) | 4728-110-E10<br>[4728-110-E10] | 12 VDC-CE Version, No switch, Continuous Duty Motor, Cold plate Refrigeration Pump | 7.2" x 4.9" x 4.5"<br>[183 x 125 x 114mm] | 2 GPM<br>[7.5 LPM]   | 3.5         | 45 PSI<br>[3.1 BAR] |



Specifically designed for refrigeration cold plate circulation, each pump features a positive displacement diaphragm and EPDM valves for proven priming ability and longer life.

**1 Year Warranty**

# ACCESSORIES

## PENTAIR SHURFLO PRE-PRESSURIZED ACCUMULATOR TANKS

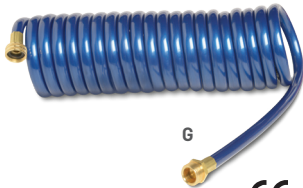
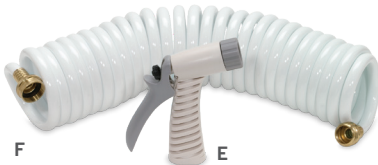
| Name                                      | OEM Model # (Aftermarket) | Dimensions                               | Total Volume       | Maximum PSI          |
|---|---------------------------|--|--------------------|----------------------|
| Shurflo 24 oz. Nylon Tank (A)             | 182-100<br>[182-200]      | 9.1" x 4.8" x 3.8"<br>[232 x 121 x 97mm] | 24 oz.<br>[710 ml] | 125 PSI<br>[8.8 BAR] |
| Shurflo 2 Gallon Stainless Steel Tank (B) | 3400-002<br>[3400-002]    | 12" H, 9" D<br>[23cm H, 10cm D]          | 2 Gallons<br>[8 L] | 100 PSI<br>[7 BAR]   |



Minimizes cycling pulsation and pressure spikes while increasing the life of your pump—and saving battery power. Easily handles pressure requirements from 20 PSI to 125 PSI.

**1 Year Warranty**

# ACCESSORIES



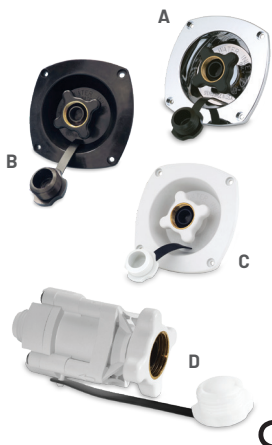
## PENTAIR SHURFLO® WATER SYSTEM ACCESSORIES

| Name                                     | OEM Model # (Aftermarket) | Description   | Designation                       |
|--|---------------------------|---|-----------------------------------|
| Shurflo Twist-On Water Strainer          | 255-223 [255-323]         | Easy Assembly, keeps debris out of pump, Transparent, easy to see when strainer needs cleaning, 50 Mesh Stainless Steel Screen                | 1/2" [13mm] Barb Inlet            |
| Shurflo Twist-On Water Strainer (A)      | 255-213 [255-313]         | Easy Assembly, keeps debris out of pump, Transparent, easy to see when strainer needs cleaning, 50 Mesh Stainless Steel Screen                | 1/2" [13mm] Pipe Inlet            |
| Shurflo Swivel Nut Water Strainer        | 255-215 [255-315]         | Easy Assembly, keeps debris out of pump, Transparent, easy to see when strainer needs cleaning, 50 Mesh Stainless Steel Screen                | 1/2" [13mm] Pipe Inlet            |
| Shurflo Swivel Nut Water Strainer (B)    | 255-225 [255-325]         | Easy Assembly, keeps debris out of pump, Transparent, easy to see when strainer needs cleaning, 50 Mesh Stainless Steel Screen                | 1/2" [13mm] Barb Inlet            |
| Shurflo Pump Silencing Kit (C)           | 94-591-01                 | Includes 2 each of 411-030-00 and 2 each 1/2" [13mm] Male Pipe Couplers   | 1/2" [13mm] Female Swivel Fitting |
| Shurflo 18" [457mm] Riser                | 411-010-00                | 18" [457mm] Flexible 1/2" Hose Riser  | 1/2" [13mm] Female Swivel Fitting |
| Shurflo 30" [762mm] Riser                | 411-020-00                | 30" [762mm] Flexible 1/2" [13mm] Hose Riser   | 1/2" Female Swivel Fitting        |
| Shurflo 36" [914mm] Riser                | 411-030-00                | 36" [914mm] Flexible 1/2" [13mm] Hose Riser   | 1/2" [13mm] Female Swivel Fitting |
| Shurflo In-Line Check Valve (D)          | 340-000 [340-001]         | Allows flow in one direction only to safeguard against backsurge up to 100 PSI [6.8 BAR]  | 1/2" [13mm] Barb                  |
| Shurflo High Pressure Blaster Nozzle (E) | 15-010 [94-010-00]        | High Impact Plastic for long life, use with Shurflo Pumps or garden hose, adjusts to fine mist or full stream, lock clip for continuous spray | 3/4" [19mm] Garden Hose Thread    |
| Shurflo Self-Coiling Hose (F)            | 7-071-25 [7-071-25]       | 25' [7.6m], 3/8" [9.5mm] Diameter, White Coiled Hose  | 3/4" [19mm] Garden Hose Thread    |
| Shurflo Self-Coiling Hose (G)            | 7-137-25 [7-137-25]       | 25' [7.6m], 1/2" [13mm] Diameter, Blue Coiled Hose  | 3/4" [19mm] Garden Hose Thread    |

Designed for safety and convenience, Pentair Shurflo accessories are built to last. Big protection from small, yet essential products

**1 Year Warranty**

## PENTAIR SHURFLO PRESSURE REDUCING CITY WATER ENTRIES



| Name                   | OEM Model # (Aftermarket) | OEM Model # (Aftermarket) | Color     |
|------------------------|---------------------------|---------------------------|-----------|
|                        |                           | 50 PSI Model              |           |
| Shurflo Wall Mount (A) | —                         | 183-020-14 [183-029-14]   | Chrome    |
| Shurflo Wall Mount (B) | —                         | 183-020-16 [183-029-16]   | Black     |
| Shurflo Wall Mount (C) | —                         | 183-020-18 [183-029-18]   | Gel White |
| Shurflo In-Line (D)    | [183-039-08]              | N/A                       | Gel White |

The exclusive Pentair Shurflo diaphragm design prevents high-pressure damage often caused by city water. These high performance water entries limit water pressure and include a check valve. 3/4" GHT- Female Swivel Inlet. 1/2" NPSM - Male Outlet. 1/2" swivel elbow fitting included.

**1 Year Warranty**



# FILTRATION

## PENTAIR® GAC 5" CARTRIDGE

| Name                 | OEM Model # (Aftermarket) | Cartridge Media           | Taste & Chlorine | Lead | Cyst | THM's VOC's | Pesticides | Micron Rating |
|----------------------|---------------------------|---------------------------|------------------|------|------|-------------|------------|---------------|
| Pentair 5" Cartridge | 155110-43                 | Granular Activated Carbon | •                |      |      | •           | •          | 20            |



## PENTAIR C-2 5" CARTRIDGE

| Name                 | OEM Model # (Aftermarket) | Cartridge Media      | Taste & Chlorine | Lead | Cyst | THM's VOC's | Pesticides | Micron Rating |
|----------------------|---------------------------|----------------------|------------------|------|------|-------------|------------|---------------|
| Pentair 5" Cartridge | 155022-43                 | Carbon Wrapped Paper | •                |      |      | •           | •          | 5             |



## PENTAIR PF 10" CARTRIDGE

| Name                  | OEM Model # (Aftermarket) | Cartridge Media    | Taste & Chlorine | Lead | Cyst | THM's VOC's | Pesticides | Micron Rating |
|-----------------------|---------------------------|--------------------|------------------|------|------|-------------|------------|---------------|
| Pentair 10" Cartridge | 155014-43                 | Spun Polypropylene |                  |      |      |             |            | 5             |

Low pressure drop and high flow in a cellulose-free gradient density spun fiber solid matrix.



## PENTAIR C1 10" CARTRIDGE

| Name                  | Model #   | Cartridge Media      | Taste & Chlorine | Lead | Cyst | THM's VOC's | Pesticides | Micron Rating |
|-----------------------|-----------|----------------------|------------------|------|------|-------------|------------|---------------|
| Pentair 10" Cartridge | 155002-43 | Carbon Wrapped Paper | •                |      |      | •           | •          | 5             |

Economic solution for basic chlorine, taste and odor reduction. Low pressure drop and high flow.



## PENTAIR CC-10 10" CARTRIDGE

| Name                  | OEM Model # (Aftermarket) | Cartridge Media                 | Taste & Chlorine | Lead | Cyst | THM's VOC's | Pesticides | Micron Rating |
|-----------------------|---------------------------|---------------------------------|------------------|------|------|-------------|------------|---------------|
| Pentair 10" Cartridge | 155155-43                 | Granular Activated Carbon (GAC) | •                |      |      | •           | •          | 20            |

Low pressure drop in a high flow, long life coconut shell carbon design.



## PENTAIR CFBC-10 10" CARTRIDGE

| Name                  | OEM Model # (Aftermarket) | Cartridge Media       | Taste & Chlorine | Lead | Cyst † | THM's VOC's | Pesticides | Micron Rating ‡ |
|-----------------------|---------------------------|-----------------------|------------------|------|--------|-------------|------------|-----------------|
| Pentair 10" Cartridge | 255679-43                 | Modified Carbon Block | •                |      | •      | •           | •          | 0.5             |

Low pressure drop in a long life cellulose-free synthetic fiber matrix. \*Based on Manufacturer's internal testing.

† Reduces cysts such as Cryptosporidium and Giardia by mechanical means.

‡ Reduces particles as small as 0.5 micron in size by mechanical means.



# FILTRATION



## PENTAIR® CFB-PB10 10" CARTRIDGE

| Name                  | Model #   | Cartridge Media       | Taste & Chlorine | Lead | Cyst † | THM's VOC's | Pesticides | Micron Rating ‡ |
|-----------------------|-----------|-----------------------|------------------|------|--------|-------------|------------|-----------------|
| Pentair 10" Cartridge | 255681-43 | Modified Carbon Block | •                | •    | •      | •           | •          | 0.5             |

Added lead reduction in a low pressure drop, high flow, long life cellulose-free synthetic fiber matrix.

\*Based on Manufacturer's internal testing.

† Reduces cysts such as Cryptosporidium and Giardia by mechanical means.

‡ Reduces particles as small as 0.5 micron in size by mechanical means.



## PENTAIR UDS-10EX1 10" CARTRIDGE

| Name                  | Model #   | Cartridge Media | Taste & Chlorine | Lead | Cyst | THM's VOC's | Pesticides | Micron Rating |
|-----------------------|-----------|-----------------|------------------|------|------|-------------|------------|---------------|
| Pentair 10" Cartridge | 255800-43 | KDF/Carbon      | •                | •    |      | •           | •          | 5             |

Superior long life, quad-stage bacteriostatic KDF/carbon filter with excellent heavy metal removal.

## PENTAIR IN-LINE WATER FILTERS WATERGUARD

| Model #  | Cartridge Media                 | Description  | Taste & Chlorine | Heavy Metals | THM's VOC's | Pesticides | Micron Rating | Fittings/Port Size and Accessories  |
|--|---------------------------------|--|------------------|--------------|-------------|------------|---------------|---|
| Pentair 255521-43 10" In-Line Filter (A)               | Granular Activated Carbon (GAC) | Long life triple-stage Carbon in-line city water entry filter with 1/4" NPT-Female ends                            | •                | •            | •           |            | 5             | 1/4" NPT Female Ports   |
| Pentair 255525-43 10" In-Line Filter                   | Granular Activated Carbon (GAC) | Long life triple stage Carbon in-line city water entry filter with 1/4" Quick Connect ends                         | •                | •            | •           |            | 5             | 1/4" Quick Connect Ports  |
| Pentair RV-210GH-A City Water Entry In-Line Filter (C) | Activated Carbon                | Long life, triple-stage Carbon in-line city water entry filter with garden hose ends                               | •                | •            | •           | •          | 5             | 3/4" Garden Hose Ports  |
| Pentair RV-210GH-KDF-A City Water Entry In-Line Filter | KDF /Carbon                     | Long life, high quality quad-stage bacteriostatic KDF/carbon in-line city water entry filter with garden hose ends | •                | •            | •           | •          | 5             | 3/4" Garden Hose Ports  |
| Pentair 94-009-50 10" In-Line Interior Filter (B)      | KDF /Carbon                     | Long-life, high quality quad-stage bacteriostatic KDF/carbon in-line filter with fittings for every interior need  | •                | •            | •           | •          | 5             | 1/4" NPT-F Both Ends, fittings included: 2 ea. 1/2" MPT, 2 ea. Quick Connect & 2 ea. ColdFittings |



# FILTRATION

## PENTAIR® FIN-LINE WATER FILTER ACCESSORY

| Name                        | Model # | Description  |
|-----------------------------|---------|--|
| Pentair In-Line Filter Clip | 244454  | For use with all 10" [254mm] In-Line Filter Housings |

## PENTAIR EVERPURE® FILTERS

| Model #                                | Cartridge Media       | Description   | Taste & Chlorine | Heavy Metals | Cyst † | THM's VOC's | Pesticides | Micron Rating ‡ |
|--|-----------------------|---|------------------|--------------|--------|-------------|------------|-----------------|
| EV959206<br>Everpure<br>Full-Timer (A) | Micro-Pure<br>Pleated | Exclusive technology reduces 99.9% of all particles 0.5 micron in size            | •                |              | •      | •           |            | 0.5             |
| EV959207<br>Everpure<br>Part-Timer (B) | Carbon<br>Block       | Exclusive technology reduces 99.9% of all particles 0.5 micron in size, Twin-pack | •                |              | •      | •           |            | 0.5             |

† Reduces cysts such as Cryptosporidium and Giardia by mechanical means.

‡ Reduces particles as small as 0.5 micron in size by mechanical means.



## PENTAIR EVERPURE COMPLETE AFTERMARKET FILTER SYSTEM COMPONENTS

| Name                                 | Model #   | Includes  | Description † ‡  |
|--------------------------------------|-----------|---|--|
| Everpure<br>Filter Housing (A)       | RV-10UC-A | C1 Filter, Housing, Wrench, Bracket Kit, Fittings, Garden Hose  | Complete 10" Filter Housing with filter and garden hose fittings for use inside under the counter, as a whole house filter, or outside as a city water or tank fill filter       |
| Everpure<br>Filtration System w/ POP | EV925200  | 2 Complete EV925205 Systems with POP Display Carton (Not Shown) | Exclusive Everpure Filtration System, includes installation kit and super chlorination disinfection kit. Protects against bacteria, viruses and cysts down to 0.5 micron in size |
| Everpure<br>Complete Kit (B)         | EV925205  | EV959206 Filter, Housing, By-Pass, Installation Kit             | Exclusive Everpure Filtration System, includes installation kit and super chlorination disinfection kit. Protects against bacteria, viruses and cysts down to 0.5 micron in size |

† Reduces cysts such as Cryptosporidium and Giardia by mechanical means.

‡ Reduces particles as small as 0.5 micron in size by mechanical means.



## O-RING KIT

| Name                | Model #   | Description  |
|---------------------|-----------|--|
| Everpure O-Ring Kit | 94-178-09 | 10-Pack O-Ring Kit for 10" Waterguard Filter Housing (RV-10UC-A) |

## SLIM-LINE FILTRATION SYSTEM COMPONENTS

| Name                            | Model # | Description   |
|---------------------------------|---------|---|
| Everpure Housing (A)            | 158196  | 10" Housing with 1/2" Female Ports                      |
| Everpure Housing                | 158195  | 10" Housing with 1/2" Female Ports with Pressure Relief |
| Everpure SW-1A Wrench (B)       | 150539  | Slim-Line Filter Housing Wrench                         |
| Everpure Bracket Kit (C)        | 244047  | Slim-Line Filter Housing Mounting Bracket with Screws   |
| Everpure Single Pack O-Ring Kit | 151121  | Single-Pack O-Ring Kit for 10" Slim-Line Filter Housing |



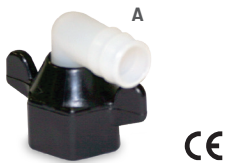
# PUMP FITTINGS

## PENTAIR SHURFLO® STRAIGHT FITTINGS



| Model #<br>Straight Fittings | Style          | Material | Description                 |
|------------------------------|----------------|----------|-----------------------------|
| 244-2916                     | Wingnut Swivel | Nylon    | 1/2"-15 NPT (F) x 3/8" Barb |
| 244-2926 (A)                 | Wingnut Swivel | Nylon    | 1/2"-14 NPT (F) x 1/2" Barb |
| 244-2936                     | Wingnut Swivel | Nylon    | 1/2"-14 NPT (F) x 5/8" Barb |
| 244-2946                     | Wingnut Swivel | Nylon    | 1/2"-14 NPT (F) x 3/4" Barb |
| 244-5146                     | Adapter        | Nylon    | 1/2" NPT (M) x 3/4" Barb    |

## PENTAIR SHURFLO ELBOW FITTINGS



| Model #<br>Elbow Fittings | Style          | Material | Description                       |
|---------------------------|----------------|----------|-----------------------------------|
| 244-3366                  | Wingnut Swivel | Nylon    | 1/2"-14 NPT (F) x 1/2"-14 NPT (M) |
| 244-3916                  | Wingnut Swivel | Nylon    | 1/2"-14 NPT (F) x 3/8" Barb       |
| 244-3926 (A)              | Wingnut Swivel | Nylon    | 1/2"-14 NPT (F) x 1/2" Barb       |
| 244-3936                  | Wingnut Swivel | Nylon    | 1/2"-14 NPT (F) x 5/8" Barb       |
| 244-3946                  | Wingnut Swivel | Nylon    | 1/2"-14 NPT (F) x 3/4" Barb       |

## PENTAIR SHURFLO GARDEN HOSE WINGNUT FITTING



| Model #<br>Wing Nut Fitting | Style          | Material | Description                 |
|-----------------------------|----------------|----------|-----------------------------|
| 244-2356                    | Wingnut Swivel | Nylon    | 3/4" GHT (M) x 1/2" NPT (F) |

## PENTAIR SHURFLO SWIVEL STRAIGHT FITTING ADAPTER



| Model #<br>Fitting Adapter | Style                                     | Material | Description                 |
|----------------------------|---|----------|-----------------------------|
| 244-2866                   | Wingnut Swivel (Pump/Accumulator Fitting) | Nylon    | 1/2" NPT (F) x 1/2" NPT (F) |

## PENTAIR SHURFLO TEE FITTING



| Model #<br>Tee Fitting | Style    | Material      | Description                       |
|------------------------|----------|---------------|-----------------------------------|
| 244-4522               | Barb Tee | Polypropolene | 1/2" Barb x 1/2" Barb x 1/2" Barb |

# PUMP REPAIR AND REBUILD KITS

Pentair Shurflo® pumps have set the standard for marine performance and reliability. To keep that performance and reliability at its peak, Pentair Shurflo offers a wide range of kits for bench and field repair. For detailed listings of individual part numbers, refer to Pentair Shurflo pricing guides and repair manuals. This overview indicates the type of kits available.

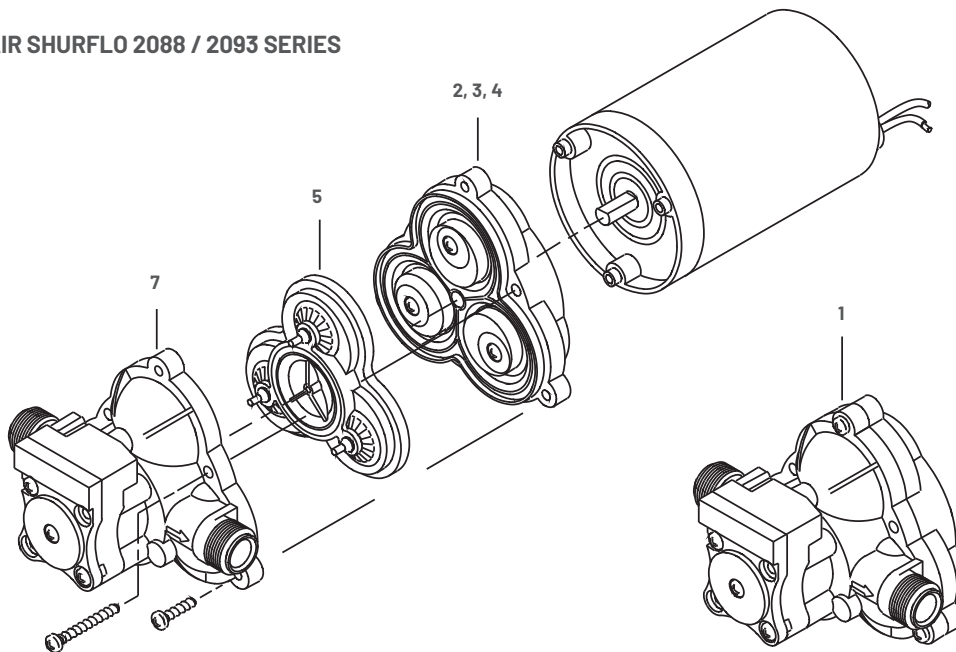
## PENTAIR SHURFLO 2088 / 2093 SERIES

| Name                      | OEM Model #<br>(Aftermarket)   | Pumphead<br>Repair Kit | Lower<br>Housing** | Drive<br>Assembly                | Diaphragm | Valve<br>Assembly | Check Valve<br>(not shown) | Switch &<br>Upper Housing |
|---------------------------|--------------------------------|------------------------|--------------------|----------------------------------|-----------|-------------------|----------------------------|---------------------------|
|                           |                                | 1                      | 2                  | 3                                | 4         | 5                 | 6                          | 7                         |
| Shurflo Standard          | 2088-423-344<br>[2088-423-344] | 94-236-03              | 94-238-04          | Included in lower<br>housing kit |           | 94-232-06         | 94-237-00                  | 94-231-10                 |
| Shurflo Standard          | 2088-743-244<br>[2088-573-354] | 94-236-03              | 94-238-04          |                                  |           | 94-232-06         | 94-237-00                  | 94-231-10                 |
| Shurflo Silencer          | 2093-224-313<br>[2093-224-313] | 94-236-03              | 94-238-03          |                                  |           | 94-232-06         | 94-237-00                  | 94-231-10                 |
| Shurflo Deluxe            | 2088-733-244<br>[2088-433-344] | 94-236-03              | 94-238-04          |                                  |           | 94-232-06         | 94-237-00                  | 94-231-10                 |
| Shurflo Premium           | 2088-712-244<br>[2088-414-934] | 94-236-14              | 94-238-03          |                                  |           | 94-232-06         | 94-237-00                  | 94-231-10                 |
| Shurflo Standard Blaster  | 2088-732-244<br>[2088-534-344] | 94-236-14              | 94-238-03          |                                  |           | 94-232-06         | 94-237-00                  | 94-231-10                 |
| Shurflo Standard Blaster† | 2088-752-244<br>[2088-574-344] | 94-236-14              | 94-238-03          |                                  |           | 94-232-06         | 94-237-00                  | 94-231-10                 |
| Shurflo Pro Blaster       | 2088-732-234<br>[2088-534-944] | 94-236-14              | 94-238-03          |                                  |           | 94-232-06         | 94-237-00                  | 94-231-10                 |
| Shurflo Pro Baitmaster    | 2088-721-234<br>[2088-414-734] | 94-236-14              | 94-238-03          |                                  |           | 94-232-06         | 94-237-00                  | 94-231-10                 |
| Shurflo Pro Baitmaster†   | 2088-762-234<br>[2088-574-734] | 94-236-14              | 94-238-03          |                                  |           | 94-232-06         | 94-237-00                  | 94-231-10                 |

†These pump models are 24 VDC . All other pump models are 12 VDC.

\*\*Includes diaphragm and drive assembly.

## PENTAIR SHURFLO 2088 / 2093 SERIES

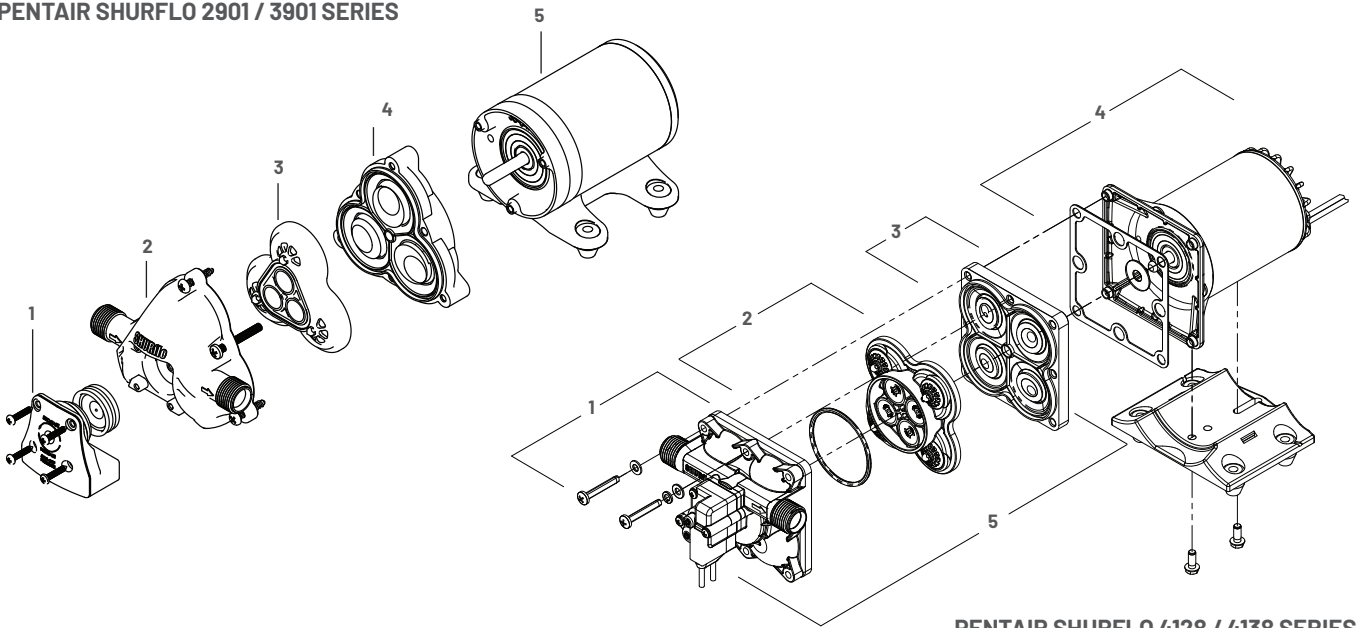


# PUMP REPAIR AND REBUILD KITS

## PENTAIR SHURFLO® 2901 / 3901 SERIES

| Name                               | OEM Model #<br>(Aftermarket) | Switch    | Upper<br>Housing | Valve<br>Assembly | Drive<br>Assembly | Motor        |
|------------------------------------|------------------------------|-----------|------------------|-------------------|-------------------|--------------|
|                                    |                              | 1         | 2                | 3                 | 4                 | 5            |
| Shurflo Aqua King Standard         | 3901-0206<br>[3901-0216]     | 94-706-00 | 94-706-01        | 94-706-02         | 94-706-06         | 94-77-023-17 |
| Shurflo Aqua King® Standard 24 VDC | 3901-1206<br>[3901-1216]     | 94-706-01 | 94-238-04        | 94-706-02         | 94-706-06         | 94-77-029-17 |
| Shurflo Blaster                    | 3901-2204<br>[3901-2214]     | 94-706-03 | 94-706-03        | 94-706-02         | 94-706-06         | 94-77-043-17 |
| Shurflo Blaster 24 VDC             | 3901-3204<br>[3901-3214]     | 94-706-03 | 94-706-01        | 94-706-02         | 94-706-06         | 94-77-003-17 |
| Shurflo Pro Blaster Junior         | 2901-6203<br>[2901-6213]     | 94-706-04 | 94-706-01        | 94-706-02         | 94-706-06         | 94-77-035-17 |
| Shurflo Aqua King Junior           | 2901-0203<br>[2901-0213]     | 94-706-04 | 94-706-01        | 94-706-02         | 94-706-06         | 94-77-035-17 |

## PENTAIR SHURFLO 2901 / 3901 SERIES



## PENTAIR SHURFLO 4128 / 4138 SERIES

## PENTAIR SHURFLO 4128 / 4138 SERIES

| Name                              | OEM Model #<br>(Aftermarket)   | Upper Assembly | Valve<br>Assembly | Drive<br>Assembly | Motor & Gasket | Pump Head | Check Valve<br>(Not Shown) |
|-----------------------------------|--------------------------------|----------------|-------------------|-------------------|----------------|-----------|----------------------------|
|                                   |                                | 1              | 2                 | 3                 | 4              | 5         | 6                          |
| Shurflo Aqua King Junior II       | 4128-110-A04<br>[4128-110-E04] | 94-800-22      | 94-800-01         | 94-800-25         | 94-71-003-07   | 94-800-28 | 94-800-03                  |
| Shurflo Aqua King Standard        | 4138-111-A65<br>[4138-111-E65] | 94-800-23      | 94-800-01         | 94-800-26         | 94-71-005-07   | 94-800-29 | 94-800-03                  |
| Shurflo Aqua King Standard 24 VDC | 4138-131-A65<br>[4138-131-E65] | 94-800-23      | 94-800-01         | 94-800-26         | 94-71-006-07   | 94-800-29 | 94-800-03                  |

# PUMP REPAIR AND REBUILD KITS

## PENTAIR SHURFLO® 4148/4149/4158 SERIES

| Name                                    | OEM Model #<br>(Aftermarket)   | Upper Assembly | Valve Assembly | Drive Assembly | Motor & Gasket | Pump Head | Check Valve<br>(Not Shown) |
|---|--------------------------------|----------------|----------------|----------------|----------------|-----------|----------------------------|
|   |                                | 1              | 2              | 3              | 4              | 5         | 6                          |
| Shurflo Aqua King II Premium 4.0        | 4148-153-A75<br>[4148-153-E75] | 94-801-10      | 94-800-01      | 94-801-02      | 94-71-001-07   | 94-801-11 | 94-800-03                  |
| Shurflo Aqua King II Premium 4.0 24 VDC | 4148-163-A75<br>[4148-163-E75] | 94-801-10      | 94-800-01      | 94-801-02      | 94-71-001-03   | 94-801-11 | 94-800-03                  |
| Shurflo Aqua King II Supreme 5.0        | 4158-153-A75<br>[4158-153-E75] | 94-801-10      | 94-800-01      | 94-801-12      | 94-71-000-17   | 94-801-13 | 94-800-03                  |
| Shurflo Aqua King II Supreme 5.0 24 VDC | 4158-163-A75<br>[4158-163-E75] | 94-801-10      | 94-800-01      | 94-801-12      | 94-71-001-04   | 94-801-13 | 94-800-03                  |

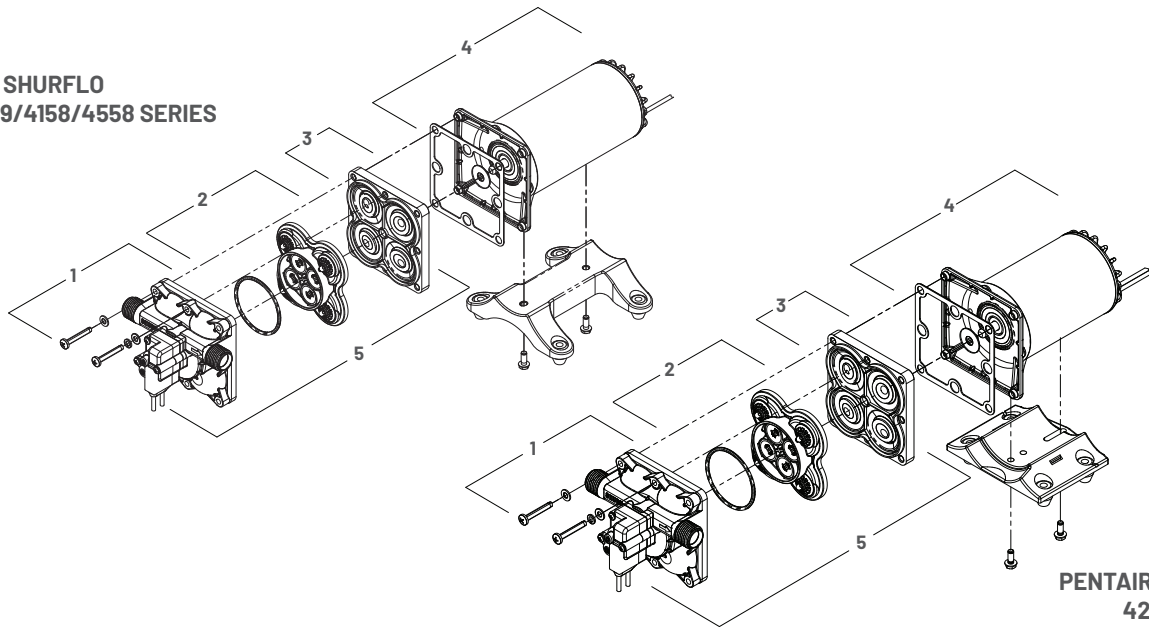
## PENTAIR SHURFLO 4558 SERIES

| Name                                      | OEM Model #<br>(Aftermarket)     | Upper Assembly | Valve Assembly | Drive Assembly | Motor & Gasket | Pump Head | Check Valve<br>(Not Shown) |
|---|----------------------------------|----------------|----------------|----------------|----------------|-----------|----------------------------|
|   |                                  | 1              | 2              | 3              | 4              | 5         | 6                          |
| Shurflo High Flow System 12V 4558-153-E75 | 4158-153-A75<br>[4158-153-E75*]  | 94-801-10      | 94-800-01      | 94-801-12      | 94-71-000-17   | 94-801-13 | 94-800-03                  |
|   | 4258-153-A09<br>[4258-153-E09*]  | 94-805-01      | 94-800-01      | 94-801-02      | 94-71-004-17   | 94-804-03 | 94-800-03                  |
| Shurflo High Flow System 24V 4558-163-E75 | 4158-163-A75<br>[4158-163-E75**] | 94-801-10      | 94-800-01      | 94-801-12      | 94-71-001-04   | 94-801-13 | 94-800-03                  |
|   | 4258-163-A09<br>[4258-163-E09**] | 94-805-01      | 94-800-01      | 94-801-02      | 94-71-001-04   | 94-805-02 | 94-800-03                  |

\*12V replacement pumps

\*\*24V replacement pumps

## PENTAIR SHURFLO 4148/4149/4158/4558 SERIES



PENTAIR SHURFLO  
4238 SERIES

## PENTAIR SHURFLO 4238 SERIES

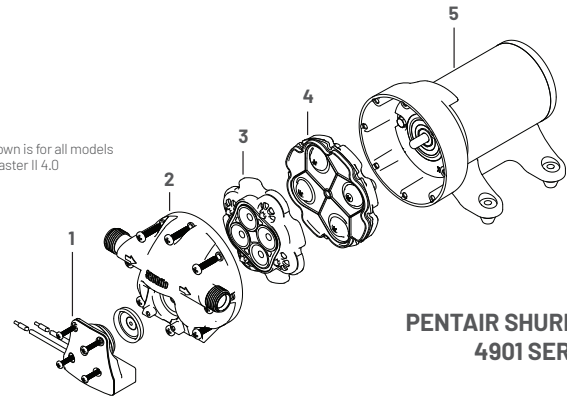
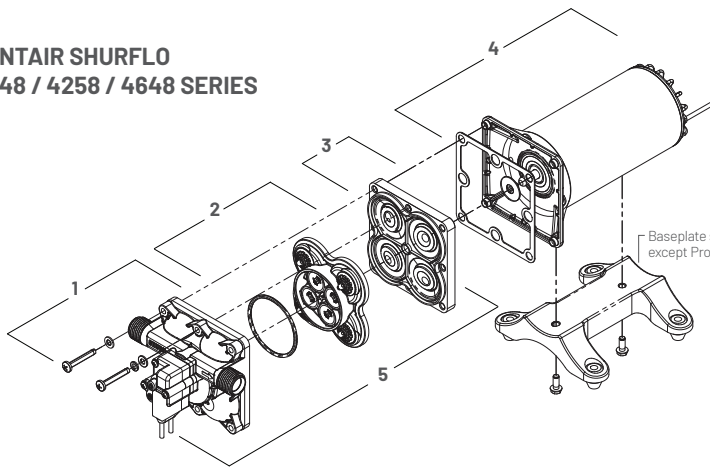
| Name                      | OEM Model #<br>(Aftermarket)   | Upper Assembly | Valve Assembly | Drive Assembly | Motor & Gasket | Pump Head | Check Valve<br>(Not Shown) |
|---------------------------|--------------------------------|----------------|----------------|----------------|----------------|-----------|----------------------------|
|                           |                                | 1              | 2              | 3              | 4              | 5         | 6                          |
| Shurflo Blaster II        | 4238-121-A07<br>[4238-121-E07] | 94-800-13      | 94-800-01      | 94-800-15      | 94-71-002-07   | 94-800-17 | 94-800-03                  |
| Shurflo Blaster II 24 VDC | 4238-141-A07<br>[4238-141-E07] | 94-800-13      | 94-800-01      | 94-800-15      | 94-71-001-17   | 94-800-17 | 94-800-03                  |

# PUMP REPAIR AND REBUILD KITS

## PENTAIR SHURFLO 4248 / 4258 / 4648 SERIES

| Name                                       | OEM Model #<br>(Aftermarket)   | Upper Assembly | Valve Assembly | Drive Assembly | Motor & Gasket | Pump Head | Check Valve<br>(Not Shown) |
|--|--------------------------------|----------------|----------------|----------------|----------------|-----------|----------------------------|
|  |                                | 1              | 2              | 3              | 4              | 5         | 6                          |
| Shurflo Pro Blaster II Deluxe 4.0          | 4248-153-A09<br>[4248-153-E09] | 94-804-02      | 94-800-01      | 94-801-02      | 94-71-001-07   | 94-804-03 | 94-800-03                  |
| Shurflo Pro Blaster II Deluxe 4.0 24 VDC   | 4248-163-A09<br>[4248-163-E09] | 94-804-02      | 94-800-01      | 94-801-02      | 94-71-001-03   | 94-804-03 | 94-800-03                  |
| Shurflo Pro Blaster II Ultimate 5.0        | 4258-153-A09<br>[4258-153-E09] | 94-804-02      | 94-800-01      | 94-801-02      | 94-71-004-17   | 94-804-03 | 94-800-03                  |
| Shurflo Pro Blaster II Ultimate 5.0 24 VDC | 4258-163-A09<br>[4258-163-E09] | 94-804-02      | 94-800-01      | 94-801-02      | 94-71-001-04   | 94-804-03 | 94-800-03                  |
| Shurflo Pro BaitMaster II 4.0              | 4648-153-A07<br>[4648-153-E07] | 94-805-01      | 94-800-01      | 94-801-02      | 94-71-001-07   | 94-805-02 | 94-800-03                  |
| Shurflo Pro BaitMaster II 4.0 24 VDC       | 4648-163-A07<br>[4648-163-E07] | 94-805-01      | 94-800-01      | 94-801-02      | 94-71-001-03   | 94-805-02 | 94-800-03                  |

## PENTAIR SHURFLO 4248 / 4258 / 4648 SERIES



## PENTAIR SHURFLO 4901 SERIES

## PENTAIR SHURFLO 4901 SERIES

| Name                            | OEM Model #<br>(Aftermarket) | Switch    | Upper Housing | Valve Assembly | Drive Assembly** | Motor        |
|---------------------------------|------------------------------|-----------|---------------|----------------|------------------|--------------|
|                                 |                              | 1         | 2             | 3              | 4                | 5            |
| Shurflo Aqua King® Premium      | 4901-4202<br>[4901-4212]     | 94-668-00 | 94-670-01     | 94-669-00      | 94-670-00        | 94-77-013-17 |
| Shurflo Pro Blaster             | 4901-5292<br>[4901-5282]     | 94-668-00 | 94-670-01     | 94-669-00      | 94-670-00        | 94-77-013-17 |
| Shurflo Pro Blaster 24 VDC      | 4901-5292<br>[4901-5282]     | 94-668-00 | 94-670-01     | 94-669-00      | 94-670-00        | 94-77-028-17 |
| Shurflo Pro Baitmaster          | 4901-6202<br>[4901-6212]     | 94-668-00 | 94-670-01     | 94-669-00      | 94-670-00        | 94-77-025-17 |
| Shurflo Pro Baitmaster 24 VDC   | 4901-7202<br>[4901-7212]     | 94-668-00 | 94-670-01     | 94-669-00      | 94-670-00        | 94-77-026-17 |
| Shurflo Smart Sensor 4.0        | 4901-0201<br>[4901-0211]     | —         | 94-670-01     | 94-669-00      | 94-670-00        | —            |
| Shurflo Smart Sensor 4.0 24 VDC | 4901-1201<br>[4901-1211]     | —         | 94-670-01     | 94-669-00      | 94-670-00        | —            |

\*\* For use on pumps manufactured June 2006 or later.



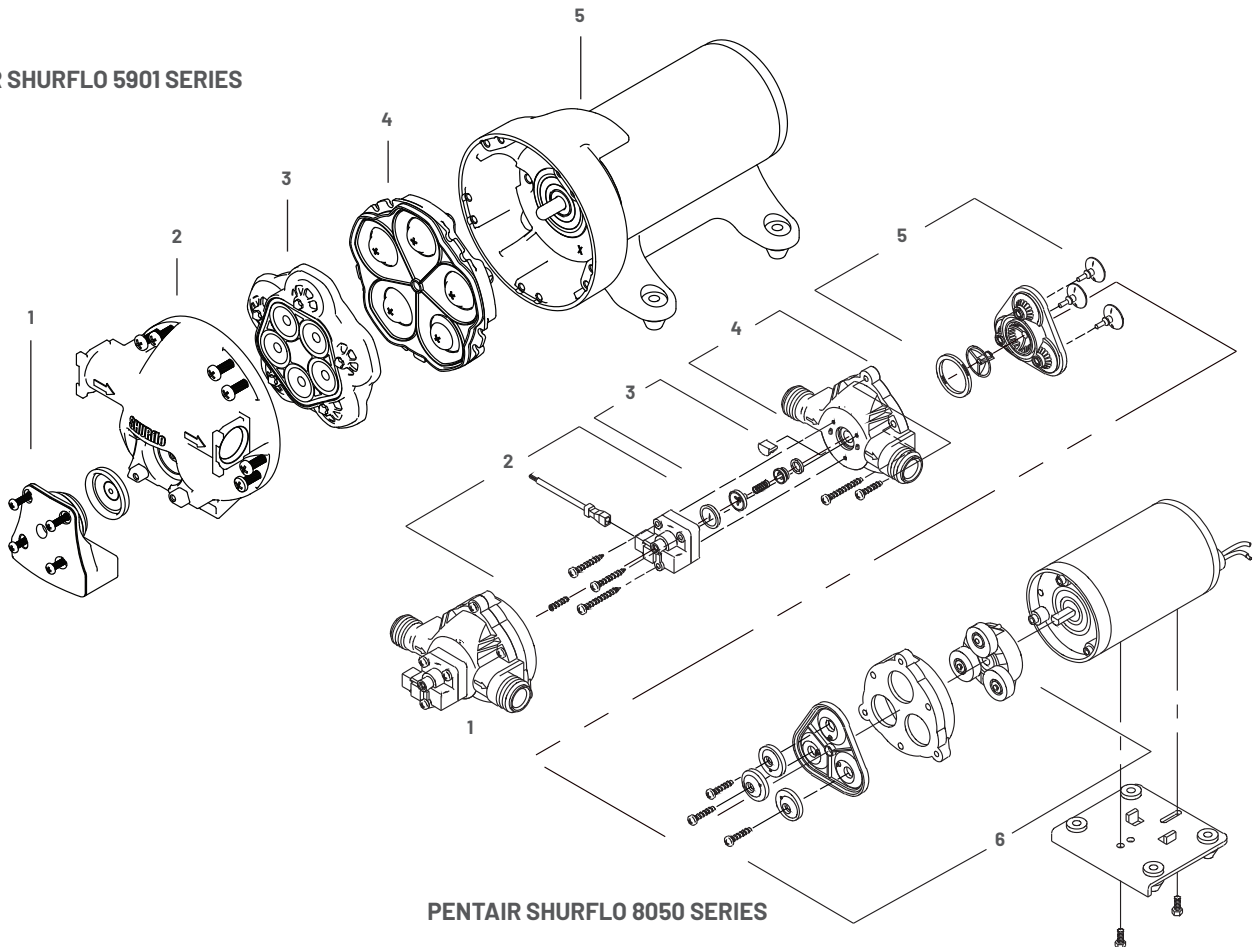
# PUMP REPAIR AND REBUILD KITS

## PENTAIR SHURFLO® 5901 SERIES

| Name                                 | OEM Model #<br>(Aftermarket) | Switch    | Upper Housing | Valve Assembly | Drive Assembly** | Motor        |
|--------------------------------------|------------------------------|-----------|---------------|----------------|------------------|--------------|
|                                      |                              | 1         | 2             | 3              | 4                | 5            |
| Shurflo Smart Sensor 5.7             | 5901-0201<br>[5901-0211]     | —         | 94-670-02     | 94-030-01      | 94-030-02        | —            |
| Shurflo Smart Sensor 5.7<br>24 VDC   | 5901-1201<br>[5901-1211]     | —         | 94-670-02     | 94-030-01      | 94-030-02        | —            |
| Shurflo<br>Extreme ProBlaster 12 VDC | 5901-2202<br>[5901-2212]     | 94-069-00 | 94-670-02     | 94-030-01      | 94-030-02        | 94-77-007-17 |
| Shurflo<br>Extreme ProBlaster 24 VDC | 5901-3202<br>[5901-3212]     | 94-069-00 | 94-670-02     | 94-030-01      | 94-030-02        | 94-77-009-17 |
| Shurflo<br>Extreme ProBlaster 32 VDC | 5901-4202<br>[5901-4212]     | 94-069-00 | 94-670-02     | 94-030-01      | 94-030-02        | 94-77-010-17 |

\*\* For use on pumps manufactured June 2006 or later.

## PENTAIR SHURFLO 5901 SERIES

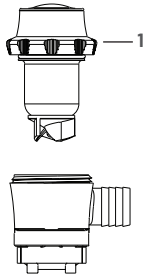


PENTAIR SHURFLO 8050 SERIES

## PENTAIR SHURFLO 8050 SERIES

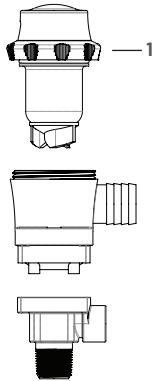
| Name                         | OEM Model #<br>(Aftermarket)   | Pumphead Repair Kit | Switch    | Check Valve | Upper Housing | Valve Assembly | Drive Assembly |
|------------------------------|--------------------------------|---------------------|-----------|-------------|---------------|----------------|----------------|
|                              |                                | 1                   | 2         | 3           | 4             | 5              | 6              |
| Shurflo<br>Aqua King® Junior | 8050-204-133<br>[8050-204-033] | 94-380-33           | 94-375-13 | 94-374-16   | 94-378-00     | 94-390-06      | 94-385-25      |
| Shurflo Utility Pumps        | 8050-305-XXX<br>[8050-305-XXX] | —                   | —         | —           | —             | 94-391-12      | 94-385-42      |

# PUMP REPAIR AND REBUILD KITS



## PENTAIR SHURFLO® 357 SERIES BILGE PUMPS

| Name                        | OEM Model # (Aftermarket)  | Replacement Cartridge | GPH        |
|-----------------------------|----------------------------|-----------------------|------------|
|                             |                            | 1                     |            |
| Shurflo Piranha Bilge Pumps | 357-1XX-XX<br>[357-1XX-XX] | 94-005-00             | 380 / 500  |
| Shurflo Piranha Bilge Pumps | 357-1XX-XX<br>[357-1XX-XX] | 94-006-00             | 700 / 1000 |



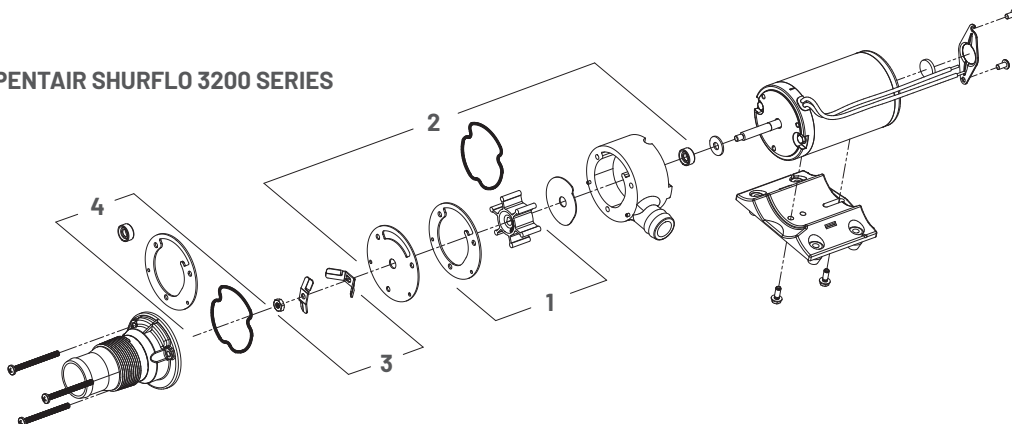
## PENTAIR SHURFLO 357 SERIES LIVEWELL/AERATOR/BALLAST PUMPS

| Name                                    | OEM Model # (Aftermarket) | Replacement Cartridge | GPH        |
|---|---------------------------|-----------------------|------------|
|   |                           | 1                     |            |
| Shurflo Piranha Livewell / Aerator Pump | [357-0XX-XX]              | 94-619-00             | 600        |
| Shurflo Piranha Livewell / Aerator Pump | [357-1XX-XX]              | 94-620-00             | 800 / 1100 |
| Shurflo Piranha Ballast Pump            | [357-1X6-XX]              | 94-620-00             | 800 / 1100 |

## PENTAIR SHURFLO 3200 SERIES

| Name                                     | OEM Model # (Aftermarket) | Impeller Kit | Impeller Housing Kit | Blade Kit | Lip Seal Kit |
|--|---------------------------|--------------|----------------------|-----------|--------------|
|  |                           | 1            | 2                    | 3         | 4            |
| Shurflo Macerator 12 VDC                 | 3200-000<br>[3200-001]    | 94-571-00    | 94-570-00            | 94-570-02 | 94-570-04    |
| Shurflo Macerator 12 VDC 180 Degree Port | 3200-100<br>[3200-101]    | 94-571-00    | 94-570-00            | 94-570-02 | 94-570-04    |
| Shurflo Macerator 24 VDC                 | 3200-010<br>[3200-011]    | 94-571-00    | 94-570-00            | 94-570-02 | 94-570-04    |
| Shurflo Macerator 24 VDC 180 Degree Port | 3200-110<br>[3200-111]    | 94-571-00    | 94-570-00            | 94-570-02 | 94-570-04    |

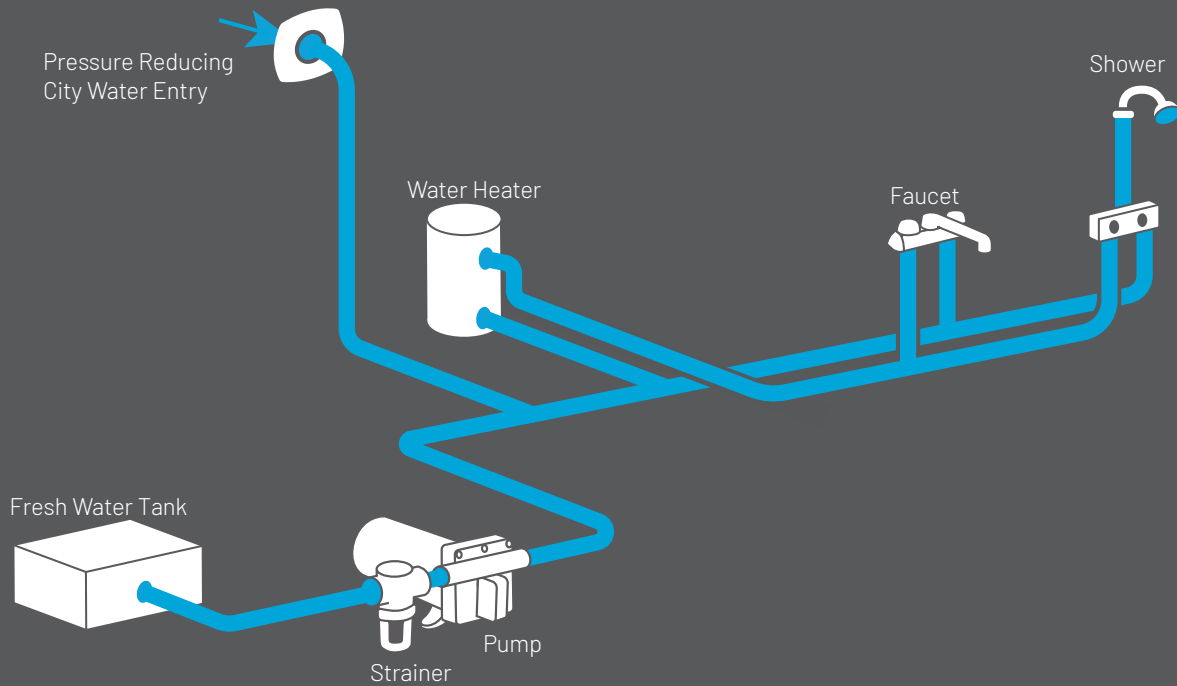
## PENTAIR SHURFLO 3200 SERIES



# INSTALLATION GUIDELINES

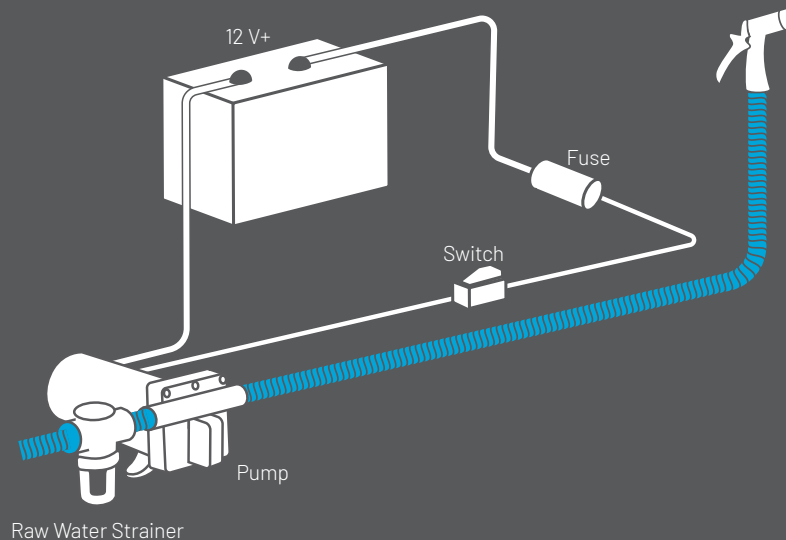
## FRESH WATER MULTI-FIXTURE SYSTEMS

The pump may be mounted up to six vertical feet above the water source. Wiring should be switched as well as fused with the recommended size fuse. The inlet side of all fresh water pumps should include the use of a Pentair Shurflo® strainer. Mount the pump in an accessible area for strainer inspection. Refer to Application and Specification Chart for individual pump recommended wire and fuse sizes.



## WASHDOWN SYSTEMS

For washdown systems using the Pentair Shurflo Blaster/Blaster II/Pro Blaster/Pro Blaster II. A marine approved reinforced hose is recommended. For optimum performance, an inlet Pentair Shurflo Raw Water Strainer is required. Use of the supplied hose nozzle will ensure high pressure delivery. Refer to the Full Line Application and Specification Chart for individual pump recommended wire and fuse sizes.

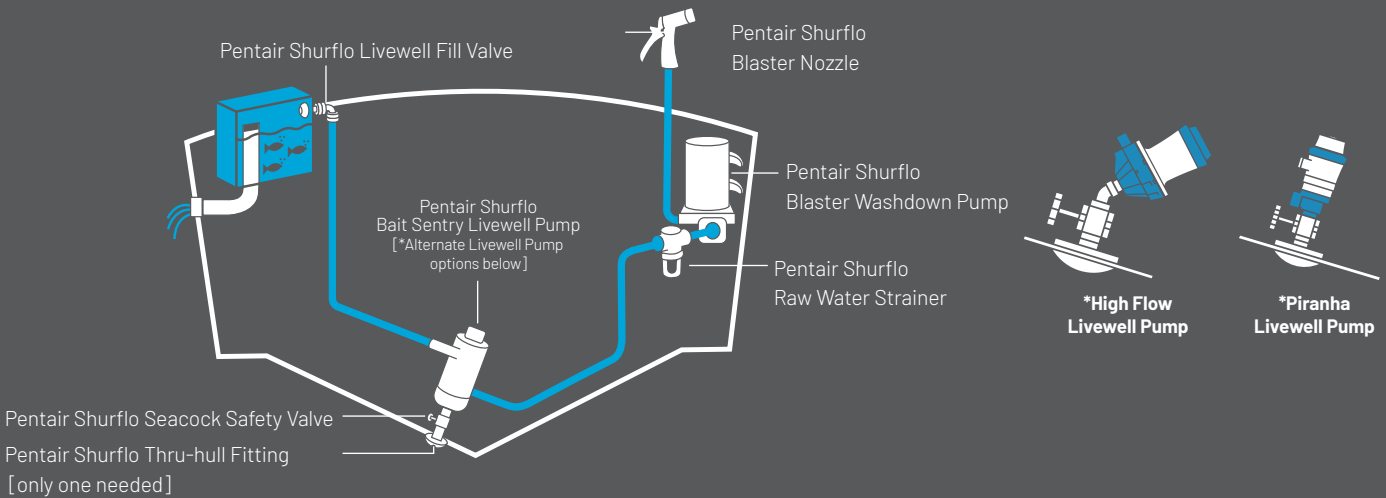


# INSTALLATION GUIDELINES

## LIVEWELL PUMP SYSTEMS

For livewell systems, Pentair Shurflo® recommends marine approved reinforced hose. Always use double stainless steel clamps for plumbing below the water line. A seacock valve must be installed between the pump and the thru-hull fitting. Pump impeller must be below the water line. To prevent an airlock situation, do not allow outlet tubing to sag between pump and tank. Discharge port on pump must be pointed up toward the tank, not down towards the keel.

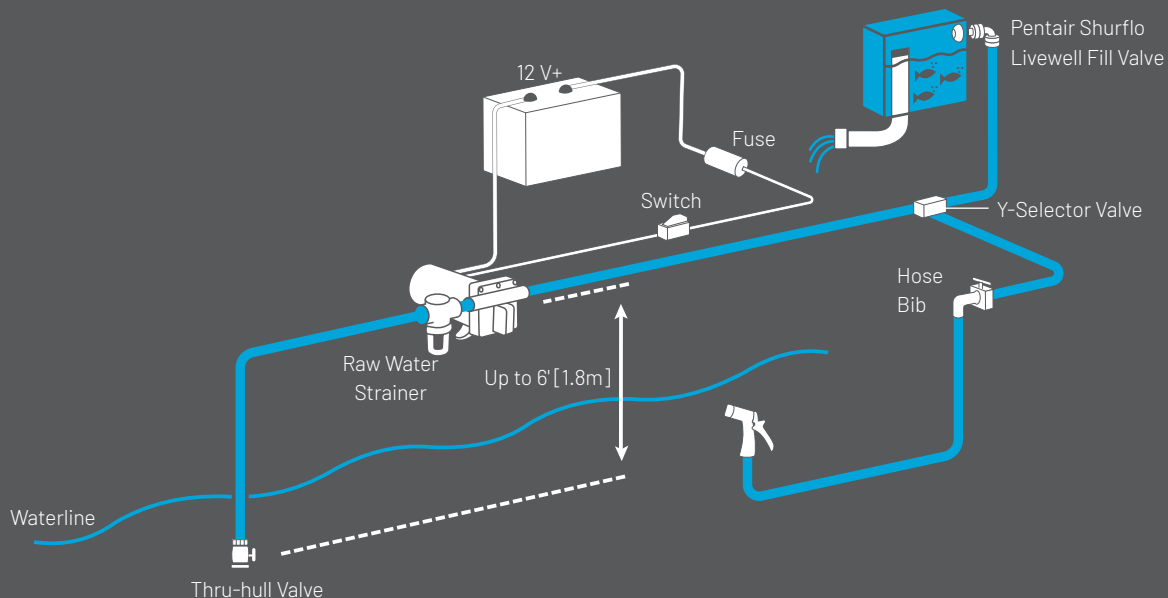
When plumbing the livewell pump to a washdown pump, use a raw water strainer between the livewell pump and the washdown pump. Tubing should be no smaller than 1/2" [13mm] marine approved reinforced tubing. Refer to the Pentair Shurflo installation manual for complete guidelines.



## PENTAIR SHURFLO PRO BAITMASTER II LIVEWELL PUMP SYSTEMS

For livewell systems using the Pro Baitmaster/Pro Baitmaster II. A marine approved reinforced hose is recommended. Use 1/2" [13mm] I.D. hose on tank inlet and outlet for minimum back pressure and turbulence to the live bait. A Pentair Shurflo Raw Water Strainer between the thru-hull fitting and the pump inlet must be used.

Refer to the Full Line Application and Specification Chart for individual pump recommended wire fuse sizes.



# INSTALLATION GUIDELINES

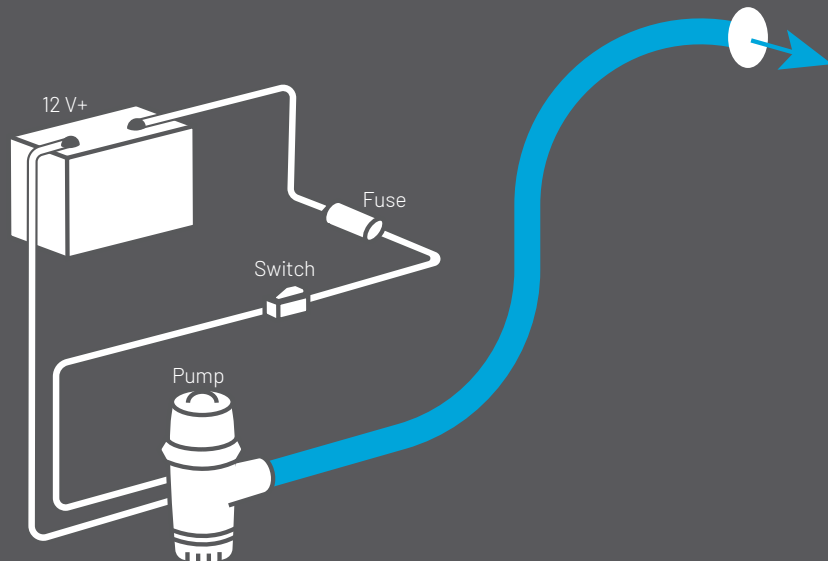
## BILGE PUMPS SYSTEMS

Recommended mounting: attach base to hull or stringer using stainless steel screws. Snap pump into base.

**CAUTION:** Care must be taken not to drive the screws through the hull. Be sure pump is mounted on a flat surface, as low as possible in the bilge.

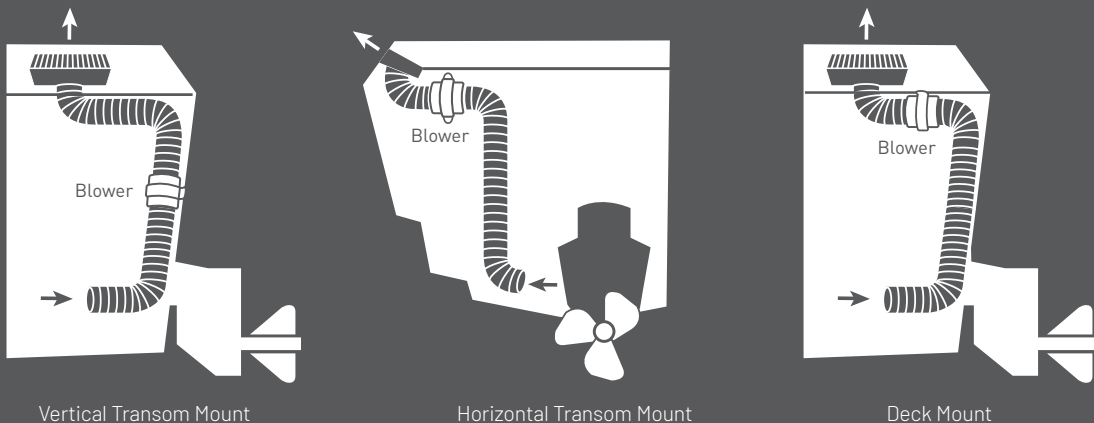
Attach 3/4" [19mm] (380, 500 & 700 GPH) or 1-1/8" [29mm] (1000 GPH) I.D. smooth bore hose. Use of a smooth bore hose will ensure maximum pump performance. Corrugated hose will significantly reduce pump performance. Route discharge hose to a thru-hull fitting well above the water line. Avoid any sagging or loops in the hose. Vertical lift over 3' [2.1m] significantly reduces output performance. Be sure to check clamp tightness at pump and thru-hull fittings.

**CAUTION:** Do not use open flame in the bilge area. Refer to Full Line Application and Specification Chart for individual pump recommended wire and fuse sizes.



## BLOWER

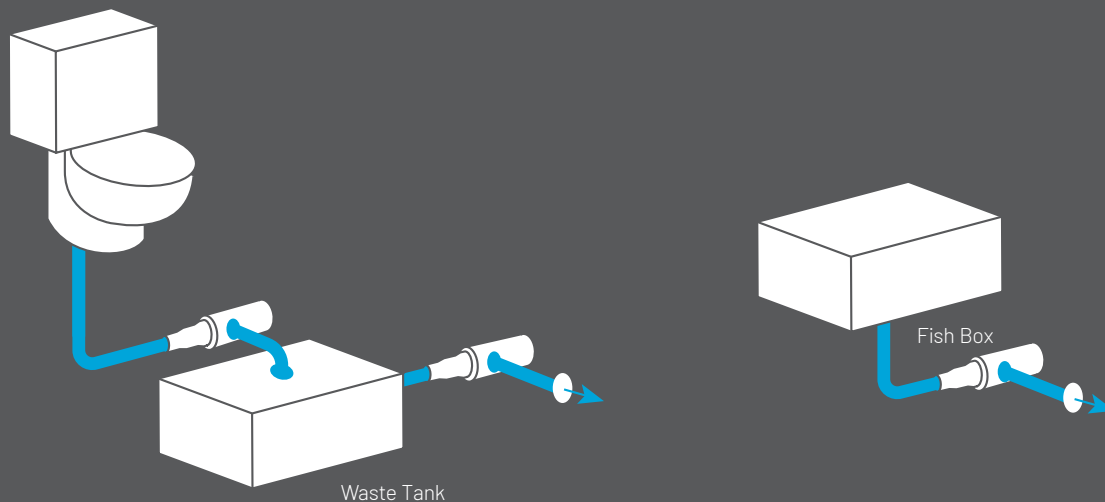
Pentair Shurflo® In-Line Blowers provide ventilation for engine compartments, bilges, galleys and head closets. Locate a suitable flat mounting surface on the transom or under the deck. Position blower with flow arrow towards exhaust vent and slightly angled toward engine compartment to avoid moisture build-up. Refer to the Shurflo installation manual for complete guidelines.



# INSTALLATION GUIDELINES

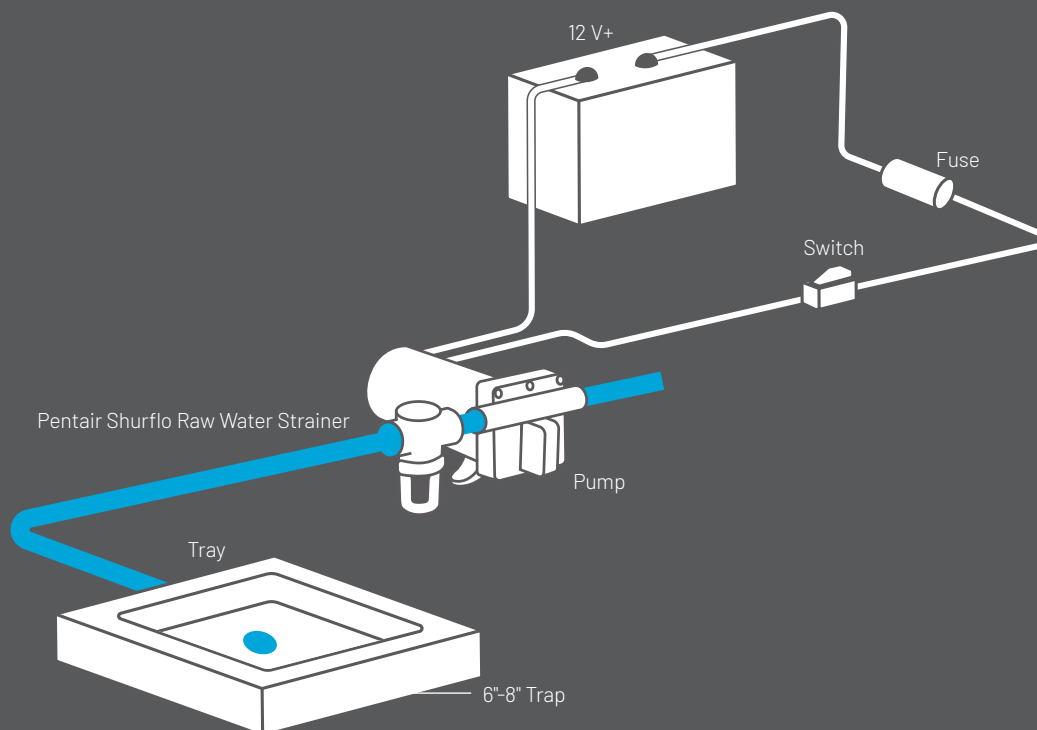
## MACERATOR SYSTEMS

Pentair Shurflo® Macerator pumps are designed to empty marine holding tanks of normal waste. It is also an excellent approach for emptying fish boxes of scales and residual waste. A flow rate of up to 13 gallons per minute conveniently empties any tank in minutes. Refer to the Shurflo installation manual for complete guidelines.



## SHOWER SUMP SYSTEMS

The standard Pentair Shurflo 4138 models can be used for shower sump applications. The sump tray should employ a 6"- 8" trap with adequate strainer capability. Use a Pentair Shurflo Raw Water Strainer on the inlet side of the pump, mounted in an easy access location for inspection.



# INSTALLATION GUIDELINES

This brief installation guide for Pentair Shurflo® pump systems will answer the most often encountered questions about basic marine plumbing systems. More detailed information is available through Pentair Shurflo technical data sheets from Shurflo, as well as the installation instruction sheets provided with each product.

**For more information, contact your Pentair Shurflo representative or Shurflo customer service toll free at: (800) 854-3218**

## GENERAL NOTES

- ◆ All Pentair Shurflo marine water pumps are ignition protected.††
- ◆ In order to minimize heat rise, continuously operating pumps other than bilge pumps should be mounted in well ventilated spaces.
- ◆ Pentair Shurflo diaphragm pumps will operate in any position; however, the recommended position is motor up/pumphead down to prevent any possible water damage to the motor in the event of a leak during setup or operation. Mount on a solid surface to reduce noise and vibration.
- ◆ Pentair Shurflo offers a variety of barbed and threaded fittings in straights and elbows from sizes 3/8" to 3/4".
- ◆ All Pentair Shurflo 4XX8 threaded pump ports are internally tapered, to be thoroughly hand-tightened only with Pentair Shurflo swivel fittings. They eliminate expensive brass or stainless fittings which require more complex plumbing.
- ◆ A safety seacock (thru-hull valve) is required for any installation using a thru-hull water source.
- ◆ In accordance with American Boat and Yacht Council (ABYC) guidelines, the recommended placement for all diaphragm pumps plumbed to a thru-hull fitting is above the waterline.
- ◆ The self-priming feature of Pentair Shurflo diaphragm pumps allows them to be mounted any distance up to 30 feet [9.2m] horizontal from on-board water supplies, ensuring easy access to plumbing connections and strainers, maximizing reduction of noise or vibration and minimizing exposure to splashed water.
- ◆ All Pentair Shurflo pumps are engineered with rubber mounting feet to minimize noise and vibration and will function properly only if proper fasteners are used to snug down (not flatten) the feet. Flexible inlet and outlet plumbing (such as reinforced hose), is critical to lower pump noise level and increase pump life.
- ◆ Pentair Shurflo recommends that all pumps be fused individually, in addition to any other circuit protection used such as circuit breakers.
- ◆ Pentair® filters are great for marine applications. The filter may be installed in any convenient location. Be sure to keep the filter away from any heat source. All filters should be replaced seasonally (6-12 months) or when taste and odor problems return.

## WIRE SIZE REQUIREMENTS [Based on 10 Amps; 10% voltage drop]

| Battery-to-pump distance | AWG [mm <sup>2</sup> ] |
|--------------------------|------------------------|
| 0-25 feet [0-7.6m]       | 16 [1.3]               |
| 25-50 feet [7.6-15.2m]   | 14 [2.1]               |
| 50-70 feet [15.2-21.3m]  | 12 [3.3]               |
| 70-110 feet [21.3-33.5m] | 10 [5.3]               |

Minimum wire size for a 10% voltage drop on a 12VDC, 10 Amp Circuit. Length is the distance from the power source to pump and back to ground.

†(1/2"-14 National American Straight Pipe Thread)  
 ††(Except 8050-305-626 & 8050-305-426)

## PLUMBING GUIDELINES [For long life and low noise]

| Area                     | Suggestion  |
|--------------------------|---|
| Pentair Shurflo Fittings | Hand tighten only.  |
| Feet                     | Snug, don't flatten; solid surface  |
| Pump/Hose                | Flexible hose on inlet and outlet side of pump. 1/2" minimum on mains, 3/8" minimum on branch.    |
| Water Purifier           | Run separate line from mains. 1/4" minimum recommended.   |
| Noise Reduction          | Use flexible hose. Check for air in system, including all drain lines and hot water heater lines. |