

OCR10-M51503EN

# Introduction

1.This parts catalog contains the previous information on the 6LY2-STE, 6LY2A-STP as well as the new one on the 6LY2A-UTP.

	Date of issue	Remarks
First edition	Apr.,2000	No need
1st edition(supplement)	Oct.,2001	No need
2nd revised edition	Feb.,2014	No need
3rd edition(supplement)	Dec.,2014	

2.This parts catalog does not contain the technical data needed for maintenance service.

3.The illustrations used in this parts catalog have been simplified for clarity.

4.The contents of this parts catalog are subject to change without notice.

5.Be sure to use only Yanmar genuine parts for repairs.If imitation parts are used, it may cause engine defects.

# Contents

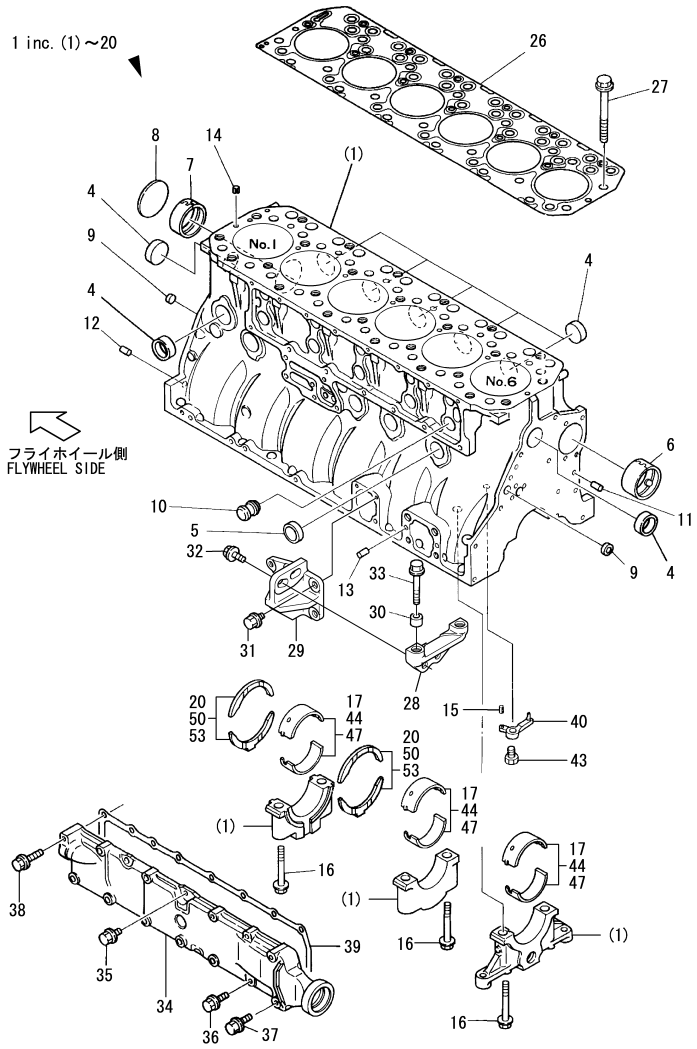
OCR10-M51503

Fig. No.	Fig. Name	Fig. No.	Fig. Name
6LY2-STE,6LY2A-STP/UTP		25.	COOLING SEA WATER PIPE
1.	CYLINDER BLOCK	26.	COOLING FRESH WATER PIPE
2.	GEAR HOUSING	27.	FUEL INJECTION PUMP
3.	FLYWHEEL HOUSING	28.	GOVERNOR
4.	OIL SUMP	29.	FUEL FEED PUMP
5.	ENGINE BRACKET	30.	TIMER
6.	LABEL	31.	FUEL INJECTION VALVE & FUEL INJECTION PIPE
7.	CYLINDER HEAD	32.	FUEL PIPE & FUEL STRAINER
8.	BONNET & BREATHER	33.	OIL/WATER SEPARATER(OPTIONAL)
9.	SUCTION MANIFOLD	34.	ENGINE STOP DEVICE
10.	EXHAUST MANIFOLD	35.	CLUTCH
11.	TURBINE	36.	STARTER MOTOR
12.	INTER COOLER	37.	GENERATOR
13.	CAMSHAFT & DRIVING GEAR	38.	WIRE HARNESS & SENSOR
14.	CRANKSHAFT & FLYWHEEL	39.	INSTRUMENT PANEL(B-TYPE)
15.	PISTON & CONNECTING ROD	40.	INSTRUMENT PANEL(C-TYPE)
16.	LUB. OIL COOLER & LUB. OIL STRAINER	41.	INSTRUMENT PANEL(D-TYPE)
17.	LUB. OIL PUMP & LUB. OIL PIPE	42.	TOOLS
18.	LUB. OIL PIPE(TURBOCHAGER)	43.	REMOTE LUB. OIL STRAINER(OPTIONAL)
19.	OIL SUCTION/DRAIN PUMP(OPTIONAL)	44.	TURNOVER SWITCH(SOLAS : OPTIONAL)
20.	BILGE PUMP(STD,OPTIONAL)	45.	GENERATOR(BOSCH)
21.	BILGE PUMP(DX,OPTIONAL)	46.	BILGE PUMP(OPTIONAL)
22.	COOLING SEA WATER PUMP	47.	TOOLS(STANDARD)
23.	COOLING FRESH WATER PUMP	48.	AIR SEPARATOR
24.	COOLER(FRESH WATER)		

Fig.1. CYLINDER BLOCK

(A)=6LY2-STE  
(B)=6LY2A-STP  
(C)=6LY2A-UTP

(D)=  
(E)=  
(F)=



No.	Lev.	Parts No.	Description	Q'ty						I	R
				(A)	(B)	(C)	(D)	(E)	(F)		
1	1	719575-01560	BLOCK ASSY, CYLINDER	1	1	1					
4	3	119593-01870	PLUG	8	8						
4-1	3	119885-01990	PLUG, 40	8	8	8					N
(A=E50595) (B=*2001.02.)											
5	3	119593-01880	PLUG	4	4						
5-1	3	119285-11990	PLUG, CUP TYPE 35	4	4	4					N
(A=E50595) (B=*2001.02.)											
6	3	119000-02410	BUSH, CAMSHAFT	1	1	1					
7	3	119593-02420	BUSH, CAMSHAFT	3	3	3					
8	3	27231-650000	PLUG, 65	1	1	1					
9	3	27241-160000	PLUG, 16	2	2	2					
10	2	119000-01840	PLUG, RUBBER	5	5	5					
11	2	129100-01580	PIN, PARALLEL 8X16	2	2	2					
12	2	129100-01580	PIN, PARALLEL 8X16	2	2	2					
13	2	129100-01580	PIN, PARALLEL 8X16	4	4	4					
14	2	22351-080016	PIN, SPRING 8.0X16	2	2	2					
15	2	22351-040010	PIN, SPRING 4.0X10	6	6	6					
16	2	119593-02070	BOLT, METAL CAP	14	14	14					
17	2	719593-02800	BEARING, MAIN	7	7	7					
20	2	719593-02590	BEARING, THRUST	2	2	2					
26	1	119595-01350	GASKET, HEAD T=1.3	1	1	1					
27	1	119593-01200	BOLT, HEAD	26	26	26					
28	1	119593-01801	RETAINER, PUMP	1	1	1					
29	1	119593-01811	RETAINER, PUMP	1	1	1					
30	1	124411-28400	PIN	2	2	2					
31	1	26106-080162	BOLT, M8X 16 PLATED	2	2						
31-1	1	26106-080202	BOLT, M8X 20 PLATED	4	4	4					N
(A=*2003.04.) (B=*2003.04.)											
32	1	26106-080202	BOLT, M8X 20 PLATED	2	2						
32-1	1	26106-100252	BOLT, M10X 25 PLATED	2	2	2					N
(A=*2003.04.) (B=*2003.04.)											
33	1	26106-100802	BOLT, M10X 80 PLATED	2	2	2					
34	1	119593-01751	COVER	1	1	1					
35	1	26106-080182	BOLT, M8X 18 PLATED	2	2	2					
36	1	26106-080302	BOLT, M8X 30 PLATED	10	10	10					
37	1	26106-080452	BOLT, M8X 45 PLATED	2	2	2					
38	1	26106-080502	BOLT, M8X 50 PLATED	1	1	1					
39	1	119593-01760	GASKET	1	1	1					
40	1	119593-39560	NOZZLE ASSY, COOLING	6	6	6					
43	1	119595-39580	BOLT, PIPE JOINT	6	6	6					
44	1	119593-02120	METAL, MAIN 0.50 US	7	7	7					2
44A	1	119593-02500	METAL, MAIN 0.25 US	7	7	7					1
47	1	119593-02130	METAL, MAIN 1.00 US	7	7	7					5
50	1	119593-02170	BEARING, THRUST 0.50	2	2	2					4
50A	1	119593-02600	BEARING, THRUST 0.25	2	2	2					3
53	1	119593-02180	BEARING, THRUST 1.00	2	2	2					6

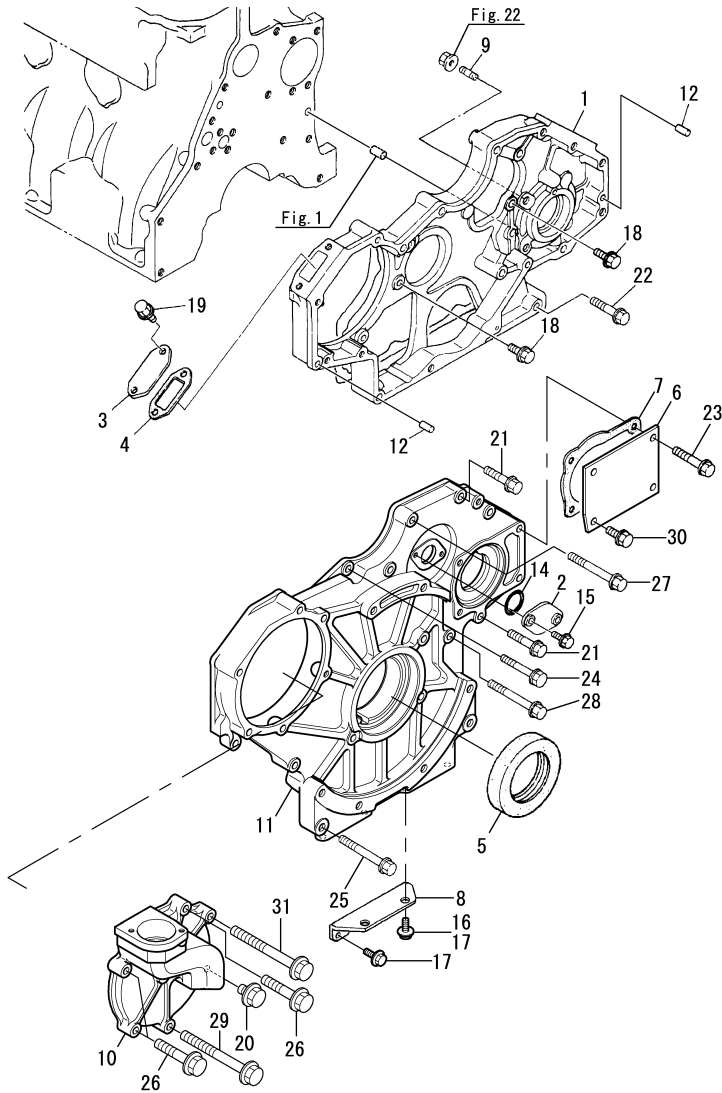
Remarks

- (1)Under-sized (U.S.=0.25) parts.
- (2)Under-sized (U.S.=0.50) parts.
- (3)Over-sized (O.S.=0.25) parts.
- (4)Over-sized (O.S.=0.50) parts.
- (5)Under sized(U.S.=1.00)cannot be sold.
- (6)Over-sized (O.S.=1.00)cannot be sold.

Fig.2. GEAR HOUSING

(A)=6LY2-STE  
(B)=6LY2A-STP  
(C)=6LY2A-UTP

(D)=  
(E)=  
(F)=

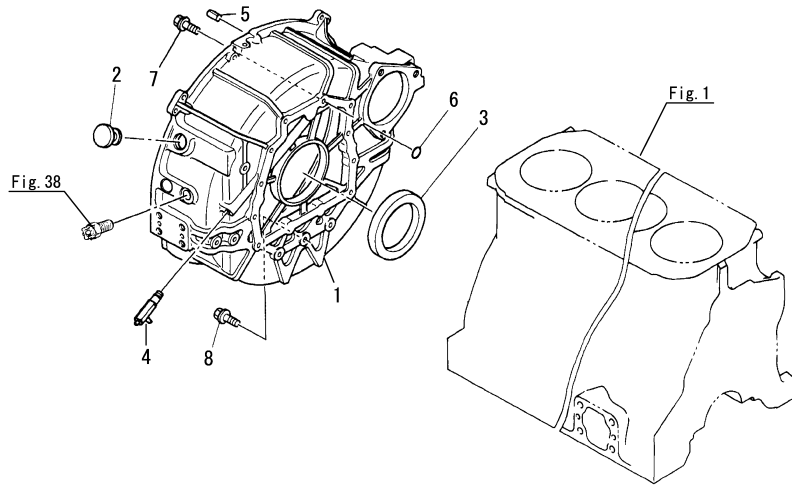


No.	Lev.	Parts No.	Description	Q'ty						I	R
				(A)	(B)	(C)	(D)	(E)	(F)		
1	1	119595-01510	CASE, GEAR	1	1	1					
2	1	121023-01550	COVER	1	1						
2-1	1	121023-01551	COVER	1	1	1					R
3	1	119000-01740	COVER	1	1	1					
4	1	119000-01771	GASKET	1	1	1					
5	1	119595-01800	SEAL, TC8010513	1	1	1					
6	1	124610-01851	COVER	1	1	1					
7	1	124610-01862	GASKET	1	1	1					
8	1	119593-01911	BRACKET	1	1	1					
9	1	121850-01920	STUD, 2D8X22	2	2	2					
10	1	119595-01930	COVER	1	1	1					
11	1	119595-01950	COVER, GEAR CASE	1	1	1					
12	1	22312-080160	PIN, PARALLEL M8X16	2	2	2					
14	1	24341-000240	O-RING, 1AS24.0	1	1	1					
15	1	26106-060182	BOLT, M6X 18 PLATED	2	2						
15-1	1	26106-060162	BOLT, M6X 16 PLATED	2	2	2					N
16	1	26106-080122	BOLT, M8X 12 PLATED	2	2	2					
17	1	26106-080162	BOLT, M8X 16 PLATED	2	2						
17-1	1	26106-080162	BOLT, M8X 16 PLATED	4	4	4					K
18	1	26106-080202	BOLT, M8X 20 PLATED	5	5	5					
19	1	26106-080202	BOLT, M8X 20 PLATED	2	2	2					
20	1	26106-080202	BOLT, M8X 20 PLATED	1	1						
20-1	1	26106-080222	BOLT, M8X 22 PLATED	1	1	1					N
21	1	26106-080452	BOLT, M8X 45 PLATED	3	3	3					
22	1	26106-080452	BOLT, M8X 45 PLATED	1	1	1					
23	1	26106-080502	BOLT, M8X 50 PLATED	2	2						
23-1	1	26106-080502	BOLT, M8X 50 PLATED	4	4	4					K
24	1	26106-080552	BOLT, M8X 55 PLATED	3	3						
24-1	1	26106-080552	BOLT, M8X 55 PLATED	1	1	1					K
25	1	26106-080752	BOLT, M8X 75 PLATED	2	2	2					
26	1	26106-080752	BOLT, M8X 75 PLATED	2	2	2					
27	1	26106-080852	BOLT, M8X 85 PLATED	1	1	1					
28	1	26106-080902	BOLT, M8X 90 PLATED	1	1	1					
29	1	26106-081202	BOLT, M8X120 PLATED	2	2	2					
30	1	26106-080202	BOLT, M8X 20 PLATED	2	2	2					
31	1	26106-081102	BOLT, M8X110 PLATED	1	1	1					W

Fig.3. FLYWHEEL HOUSING

(A)=6LY2-STE  
(B)=6LY2A-STP  
(C)=6LY2A-UTP

(D)=  
(E)=  
(F)=

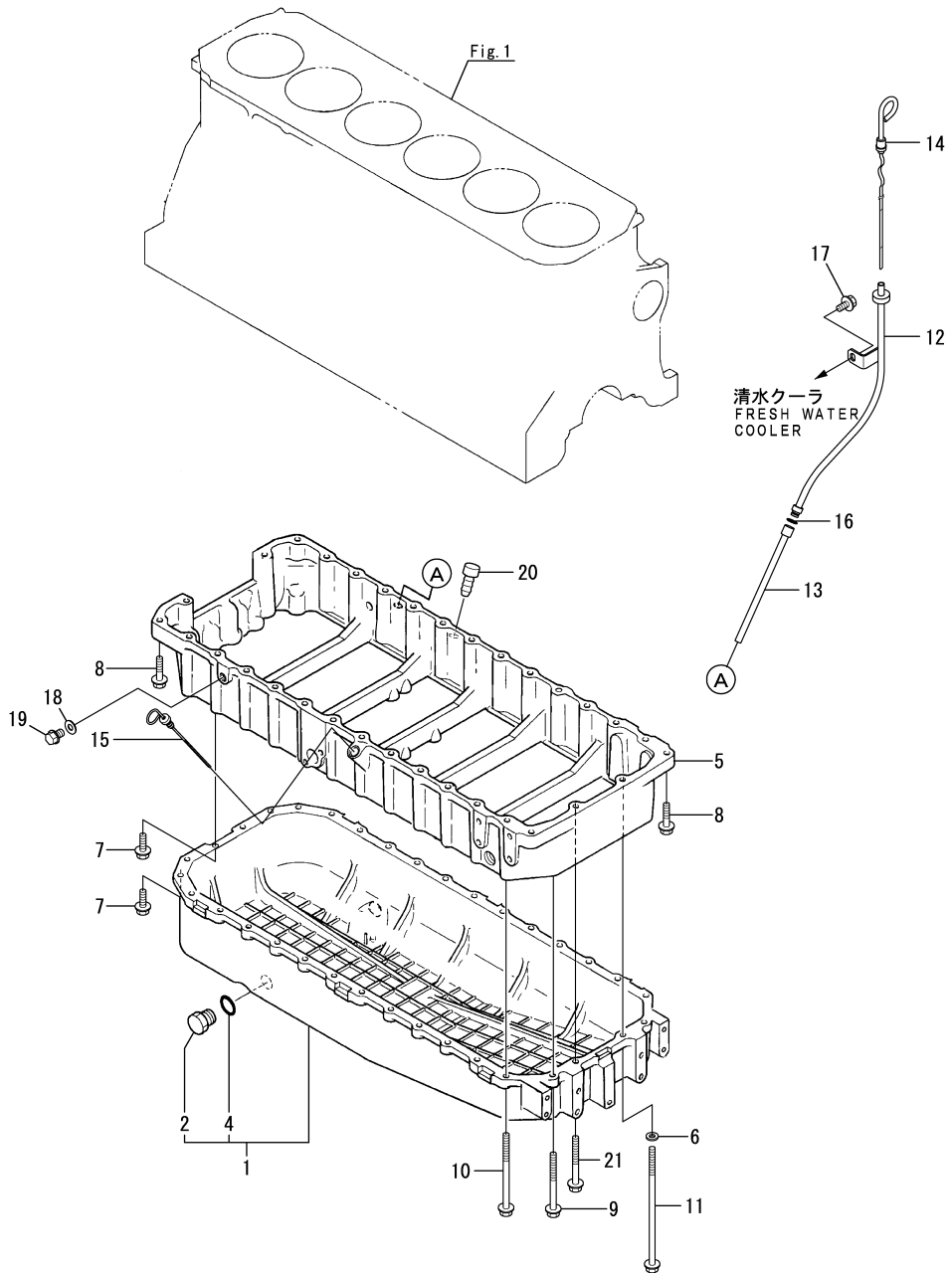


No.	Lev.	Parts No.	Description	Q'ty						I	R
				(A)	(B)	(C)	(D)	(E)	(F)		
1	1	119593-01601	HOUSING, FLYWHEEL	1	1	1					
2	1	119620-01750	CAP	1	1						
2-1	1	119575-01750	CAP	1	1	1					R
		(A=*2002.04.)	(B=*2002.04.)								
3	1	124411-01780	SEAL, HTC95X115X12	1	1	1					
4	1	128371-01800	COCK ASSY, 1/4	1	1	1					
5	1	22312-100220	PIN, PARALLEL M10X22	1	1	1					
6	1	24311-000140	O-RING, 1AP14.0	1	1	1					
7	1	26106-100302	BOLT, M10X 30 PLATED	8	8	8					
8	1	26106-100352	BOLT, M10X 35 PLATED	5	5	5					

Fig.4. OIL SUMP

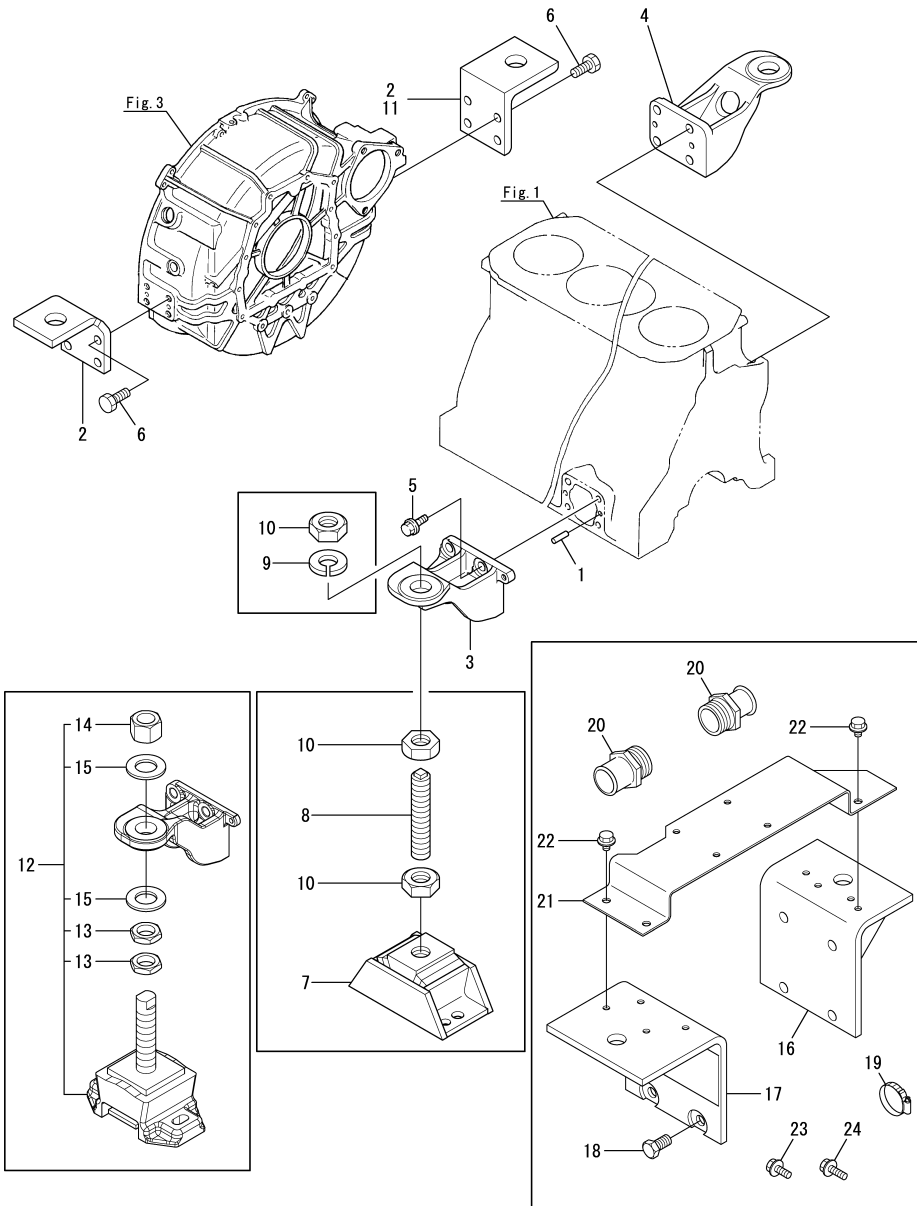
(A)=6LY2-STE  
(B)=6LY2A-STP  
(C)=6LY2A-UTP

(D)=  
(E)=  
(F)=



No.	Lev.	Parts No.	Description	Q'ty						I	R
				(A)	(B)	(C)	(D)	(E)	(F)		
1	1	719573-01540	SUMP ASSY, OIL	1	1	1					
2	2	171301-01640	PLUG, M22	1	1	1					
4	2	24341-000240	O-RING, 1AS24.0	1	1	1					
5	1	119593-01731	SPACER, OIL SUMP	1	1						
5-1	1	119593-01732	SPACER	1	1						N
		(A=*2004.04.) (B=E00152)									
5-2	1	119578-01730	SPACER	1	1						R
		(A=*2006.08.) (B=*2006.08.)									
5-3	1	119593-01732	SPACER		1	1					R
		(B=E00062)									
6	1	22137-080000	WASHER, 8	2	2	2					
7	1	26106-080252	BOLT, M8X 25 PLATED	4	4	4					
8	1	26106-080352	BOLT, M8X 35 PLATED	4	4	4					
9	1	26106-080902	BOLT, M8X 90 PLATED	2	2	2					
10	1	26106-081202	BOLT, M8X120 PLATED	26	26	26					
11	1	26116-081902	BOLT, M8X190 PLATED	2	2	2					
12	1	119574-34810	GUIDE, DIPSTICK	1	1	1					
13	1	119171-34820	GUIDE, DIPSTICK	1	1	1					
14	1	119574-34861	DIPSTICK, OIL	1	1	1					
15	1	119593-34870	DIPSTICK, OIL	1	1	1					
16	1	24341-000100	O-RING, 1AS10.0	1	1	1					
17	1	26106-080162	BOLT, M8X 16 PLATED	1	1	1					
18	1	23414-100000	GASKET, 10X1.0	1	1	1					
19	1	26106-100162	BOLT, M10X 16 PLATED	1	1	1					
20	1	124976-34850	PLUG	1	1	1					W
		(A=*2004.04.) (B=E00152)									
21	1	26106-080752	BOLT, M8X 75 PLATED	1	1	1					

Fig.5. ENGINE BRACKET



(A)=6LY2-STE  
(B)=6LY2A-STP  
(C)=6LY2A-UTP

(D)=  
(E)=  
(F)=

No.	Lev.	Parts No.	Description	Qty						I	R
				(A)	(B)	(C)	(D)	(E)	(F)		
1	1	129100-01580	PIN, PARALLEL 8X16	4	4	4					
2	1	119574-08230	FOOT, MOUNTING	1	1						
2-1	1	119574-08231	FOOT, MOUNTING	2	2	2					N
		(A=*2003.08.) (B=*2003.08.)									
3	1	119574-08200	FOOT, MOUNTING	1	1						
3-1	1	119574-08201	FOOT, MOUNTING	1	1						N
		(A=*2001.11.) (B=*2001.11.)									
3-2	1	119574-08202	FOOT, MOUNTING	1	1	1					N
		(A=*2004.08.) (B=*2004.08.)									
4	1	119574-08210	FOOT, MOUNTING	1	1						
4-1	1	119574-08211	FOOT, MOUNTING	1	1						N
		(A=*2001.11.) (B=*2001.11.)									
4-2	1	119574-08212	FOOT, MOUNTING	1	1	1					N
		(A=*2004.08.) (B=*2004.08.)									
5	1	26116-120282	BOLT, M12X 28 PLATED	8	8						
5-1	1	26116-120302	BOLT, M12X 30 PLATED	16	16	16					N
		(A=*2003.04.) (B=*2003.04.)									
6	1	26116-120322	BOLT, M12X 32 PLATED	8	8						Z
		(A=*2003.04.) (B=*2003.04.)									
7	1	127495-08320	MOUNT, FLEXIBLE 600	4	4	4					1
8	1	119593-08400	BOLT, SQUARE	4	4	4					1
9	1	22217-270000	WASHER, SPRING 27	4	4	4					1
10	1	26776-270002	NUT, LOCK M27	12	12	12					1
11	1	119573-08200	FOOT, MOUNTING	1	1						Z
		(A=*2003.08.) (B=*2003.08.)									
12	1	119773-08300	MOUNTING, FLEXIBLE	4	4	4					W 2
		(A=*2008.12.) (B=*2008.12.)									
13	2	119773-08330	NUT	8	8	8					
14	2	119773-08340	NUT	4	4	4					
15	2	119773-08350	WASHER	8	8	8					
16	1	119575-08200	FOOT, MOUNTING	1	1						3
16-1	1	119575-08201	FOOT, MOUNTING	1	1						R 3
		(A=*2004.11.) (B=*2004.11.)									
17	1	119575-08210	FOOT, MOUNTING	1	1						3
17-1	1	119575-08211	FOOT, MOUNTING	1	1						R 3
		(A=*2004.11.) (B=*2004.11.)									
18	1	119575-08220	BOLT	8	8						3
19	1	23000-054000	CLAMP, 54	2	2						3
19-1	1	119172-48480	CLAMP, HOSE 48	2	2						N 3
		(A=*2002.02.) (B=E00062)									
19-2	1	119172-48480	CLAMP, HOSE 48	2	2						Z 3
		(A=*2014.05.) (B=*2014.05.)									
20	1	119575-49740	JOINT	2	2						3
21	1	119575-85500	BRACKET	1	1						3
22	1	26106-100142	BOLT, M10X 14 PLATED	4	4						3
23	1	26106-100282	BOLT, M10X 28 PLATED	12	12						3
24	1	26106-100302	BOLT, M10X 30 PLATED	8	8						3

Remarks

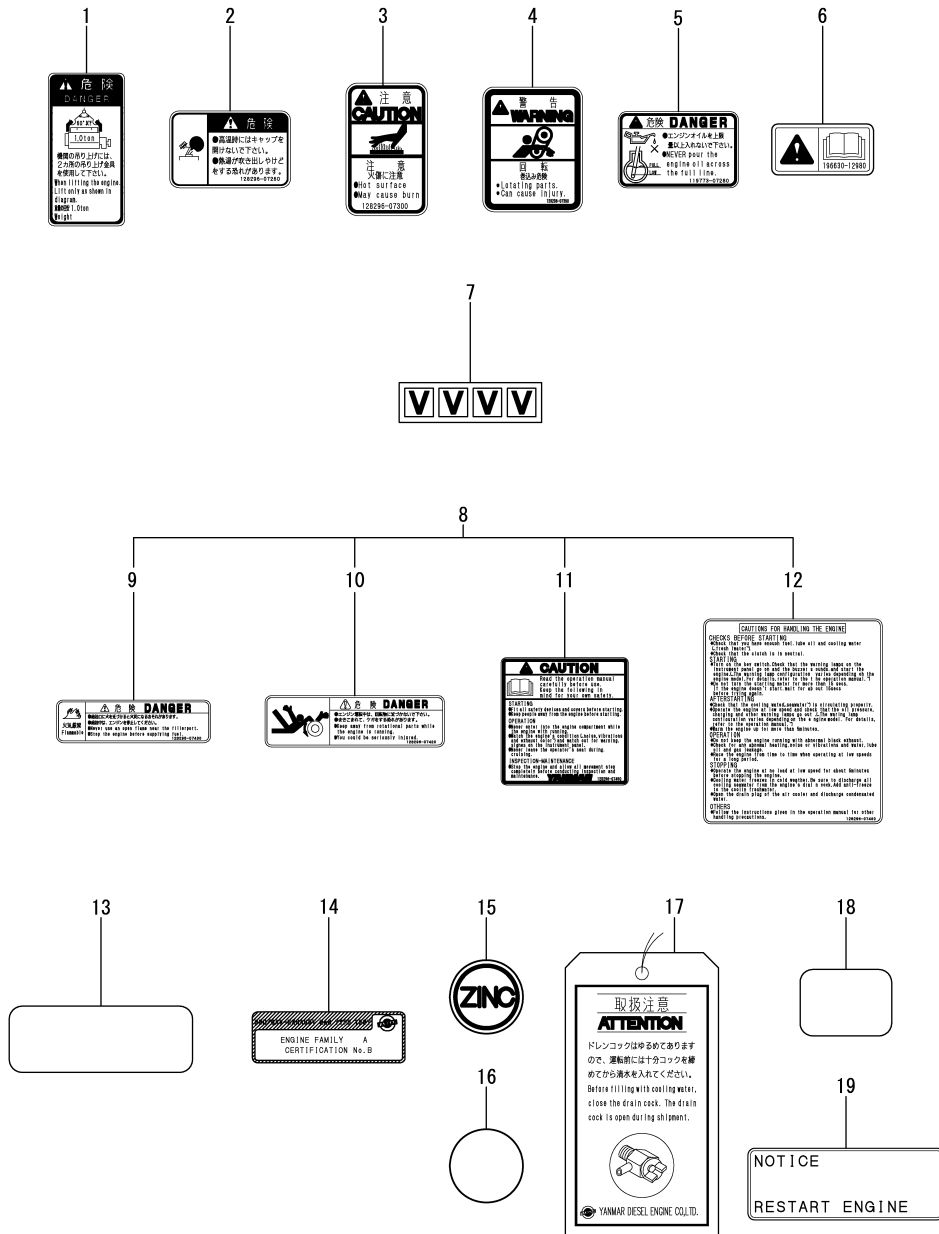
- (1) Installation method, optional parts.
- (2) Fixation type with common-bed, optional parts.
- (3) For MG5061A.



Fig.6. LABEL

(A)=6LY2-STE  
(B)=6LY2A-STP  
(C)=6LY2A-UTP

(D)=  
(E)=  
(F)=

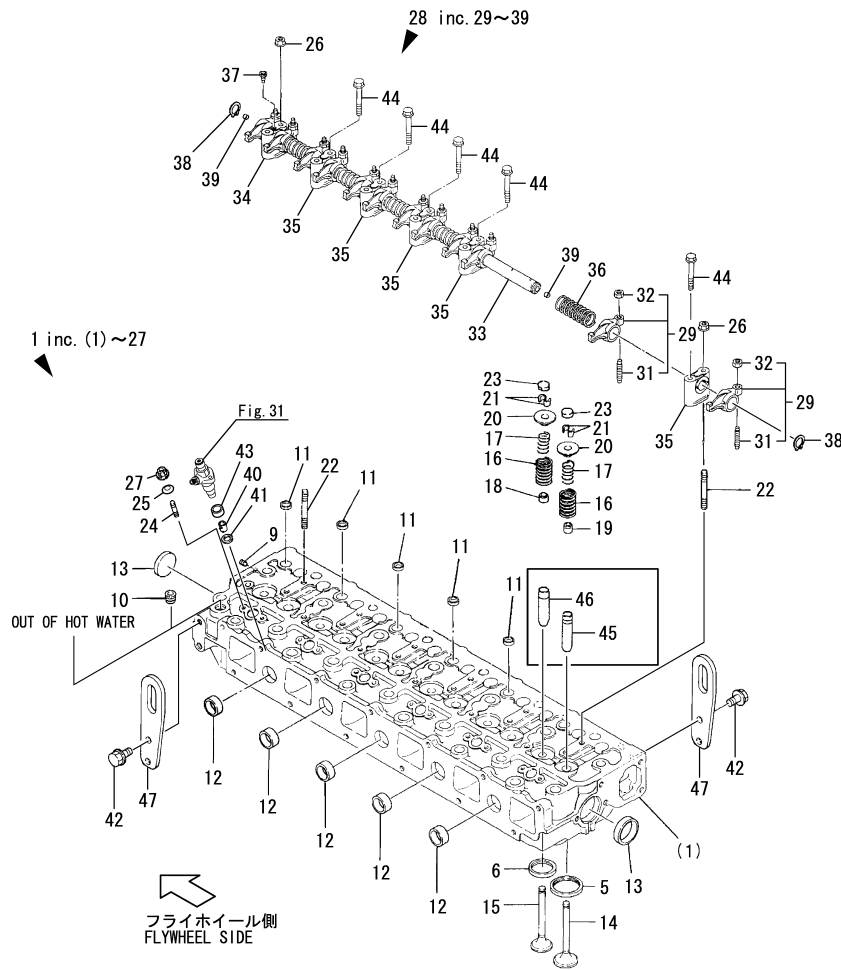


No.	Lev.	Parts No.	Description	Q'ty						I	R
				(A)	(B)	(C)	(D)	(E)	(F)		
1	1	120324-07240	LABEL, DANGER	1	1	1					
2	1	128296-07260	LABEL, DANGER	1	1	1					
3	1	128296-07300	LABEL, DANGER	2	2	2					
4	1	128296-07350	LABEL, DANGER	1	1	1					
5	1	119773-07280	LABEL, DANGER	1	1	1					
6	1	196630-12980	LABEL, CAUTION	1	1	1					
7	1	119574-07450	LABEL	1	1	1					
8	1	128296-07190	LABEL, LOOSE PARTS	1	1	1					
9	2	128296-07400	LABEL, DANGER	2	2	2					
10	2	128296-07420	LABEL, DANGER	1	1	1					
11	2	128296-07450	LABEL, CAUTION	1	1	1					
12	2	128296-07460	LABEL, CAUTION	1	1	1					
13	1	128171-07150	LABEL	1	1	1					
14	1	119575-07510	LABEL, BSO	1	1	1					
15	1	119574-07400	LABEL	5	5	5					
16	1	119595-07360	LABEL	1	1	1					
17	1	123682-07851	LABEL, CAUTION	1	1						
17-1	1	123682-07852	LABEL, CAUTION	1	1	1					N
		(A=*2002.05.) (B=E00062)									
18	1	119575-07220	LABEL, PISTON	1	1	1					W
		(A=*2012.08.) (B=E00861)									
19	1	119175-07260	LABEL, CAUTION		1						W
		(B=E00621)									

Fig.7. CYLINDER HEAD

(A)=6LY2-STE  
(B)=6LY2A-STP  
(C)=6LY2A-UTP

(D)=  
(E)=  
(F)=



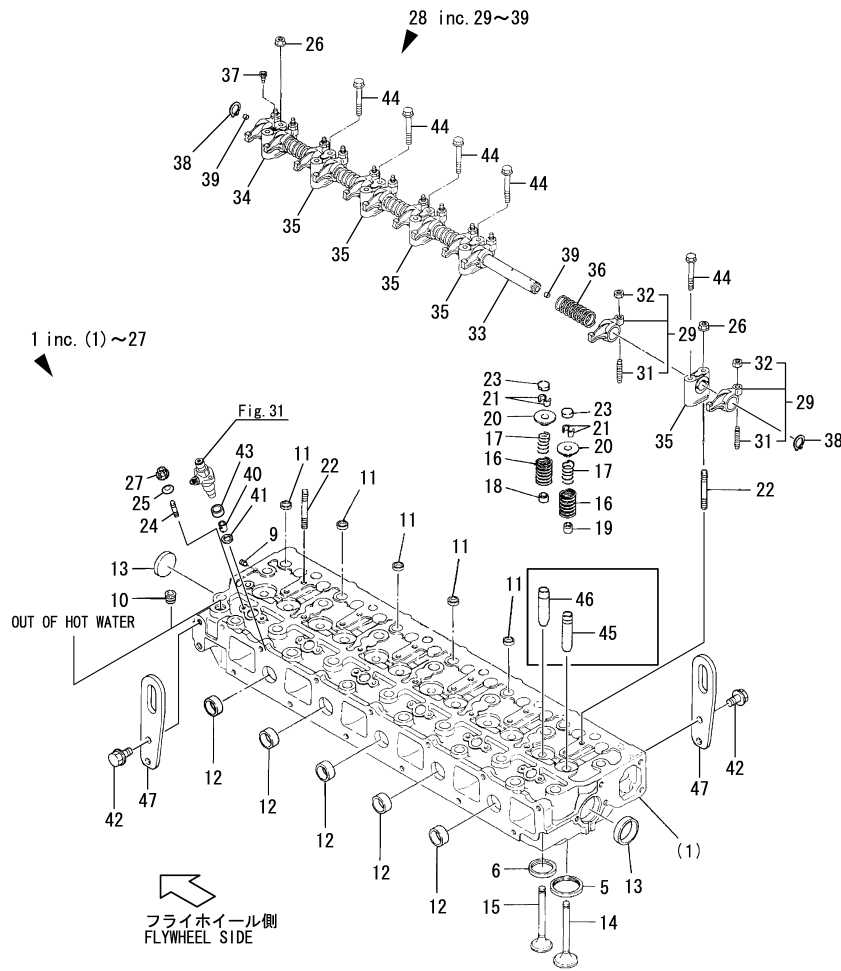
No.	Lev.	Parts No.	Description	Q'ty						I	R
				(A)	(B)	(C)	(D)	(E)	(F)		
1	1	719595-11700	HEAD ASSY, CYLINDER	1	1						
1-1	1	719595-11701	HEAD ASSY, CYLINDER	1	1						N
		(A=*2003.04.) (B=*2003.04.)									
1-2	1	719575-11701	HEAD ASSY, CYLINDER		1	1					N
		(B=E00062)									
5	3	119173-11080	SEAT, INTAKE VALVE	6	6	6					
6	3	119173-11090	SEAT, EXHAUST VALVE	6	6						
6-1	3	119173-11091	SEAT, VALVE	6	6	6					N
		(A=*2003.04.) (B=*2003.04.)									
9	3	23876-005000	PLUG, R005	1	1	1					
10	3	23876-030000	PLUG, R03	1	1	1					
11	3	119593-01860	PLUG	6	6	6					
12	3	27241-280000	PLUG, 28	5	5	5					
13	3	27241-400000	PLUG, 40	2	2	2					
14	2	119173-11101	VALVE, SUCTION	6	6						
14-1	2	119575-11100	VALVE, INTAKE		6	6					N
		(B=E00062)									
15	2	119593-11110	VALVE, EXHAUST	6	6	6					
16	2	124617-11120	SPRING, VALVE OUTER	12	12	12					
17	2	124617-11130	SPRING, VALVE INNER	12	12	12					
18	2	119171-11150	SEAL, VALVE STEM	6	6	6					
19	2	121850-11150	SEAL, VALVE STEM	6	6	6					
20	2	119595-11180	RETAINER, SPRING	12	12	12					
21	2	27310-090001	COTTER, 9	12	12	12					
22	2	119593-11300	STUD, M8X80	4	4						
22-1	2	119593-11301	BOLT, STUD M8X80	4	4	4					R
		(A=*2003.05.) (B=*2003.05.)									
23	2	119595-11370	CAP, VALVE	12	12	12					
24	2	119595-11910	BOLT	12	12	12					
25	2	119595-11920	WASHER	12	12	12					
26	2	26366-080002	NUT, M8	4	4						
26-1	2	26306-080002	NUT, M8	4	4	4					N
		(A=E50655) (B=*2001.03.)									
27	2	26366-080002	NUT, M8	12	12						
27-1	2	26306-080002	NUT, M8	12	12	12					N
		(A=E50655) (B=*2001.03.)									
28	1	119593-11240	SHAFT ASSY, ROCKER	1	1	1					
29	2	719593-11650	ARM ASSY, ROCKER	12	12	12					
31	3	119000-11230	SCREW, VALVE ADJUST	12	12	12					
32	3	129150-11750	NUT, M8	12	12	12					
33	2	119593-11250	SHAFT, ROCKER ARM	1	1	1					
34	2	119000-11260	SUPPORT, ROCKER ARM	1	1	1					
35	2	119000-11270	SUPPORT, ROCKER ARM	5	5	5					
36	2	119000-11280	SPRING	5	5	5					
37	2	119000-11290	BOLT	1	1	1					
38	2	22242-000180	RING, 18	2	2	2					
39	2	27241-100000	PLUG, 10	2	2	2					
40	1	120324-11900	INSULATOR	6	6						
40-1	1	119575-11900	INSULATOR		6	6					S
		(B=*2001.11.)									
41	1	120324-11910	GASKET, NOZZLE	6	6						

Remarks  
(1) Spare parts.

Fig.7. CYLINDER HEAD

(A)=6LY2-STE  
(B)=6LY2A-STP  
(C)=6LY2A-UTP

(D)=  
(E)=  
(F)=



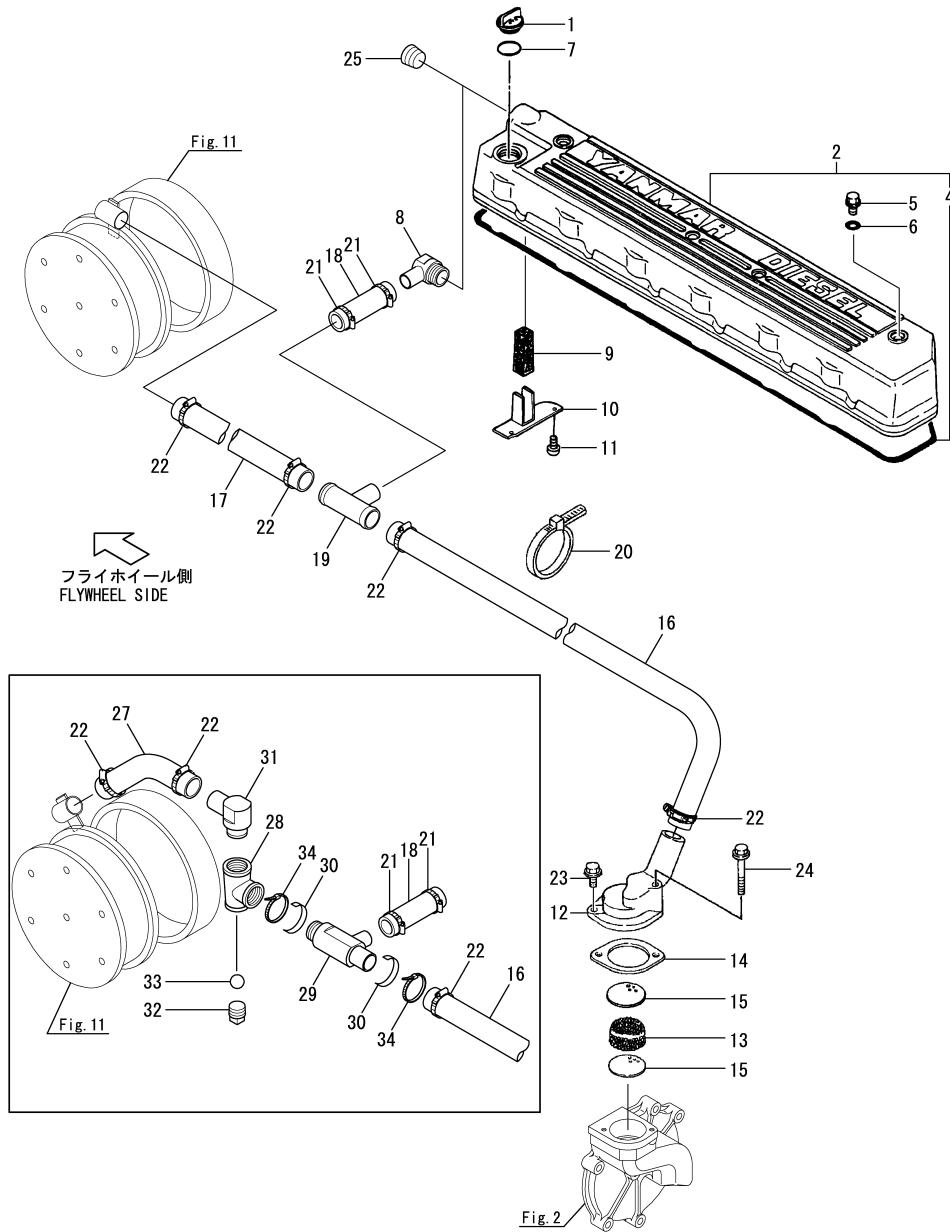
No.	Lev.	Parts No.	Description	Q'ty						I	R
				(A)	(B)	(C)	(D)	(E)	(F)		
41-1	1	119575-11910	PACKING, VALVE (B=*2001.11.)		6	6					S
42	1	26106-100202	BOLT, M10X 20 PLATED	4	4	4					
43	1	119595-11930	SEAL	6	6						
43-1	1	119575-11930	SEAL (B=*2001.11.)		6	6					S
44	1	26106-080652	BOLT, M8X 65 PLATED	8	8	8					
45	1	121850-11800	GUIDE, VALVE	6	6	6					1
46	1	119000-11180	GUIDE, VALVE	6	6	6					1
47	1	119593-07200	LIFTER	2	2	2					

Remarks

(1) Spare parts.

N:Old  $\xrightarrow{\text{Yes}}$  New, Q:Old  $\xrightarrow{\text{No}}$  New, R:Old  $\xrightarrow{\text{Yes}}$  New, S:Old  $\xrightarrow{\text{No}}$  New, W:Add, Z:Discontinued, F:Interchangeable by set, K:Q'ty Change

Fig.8. BONNET & BREATHER



(A)=6LY2-STE  
(B)=6LY2A-STP  
(C)=6LY2A-UTP

(D)=  
(E)=  
(F)=

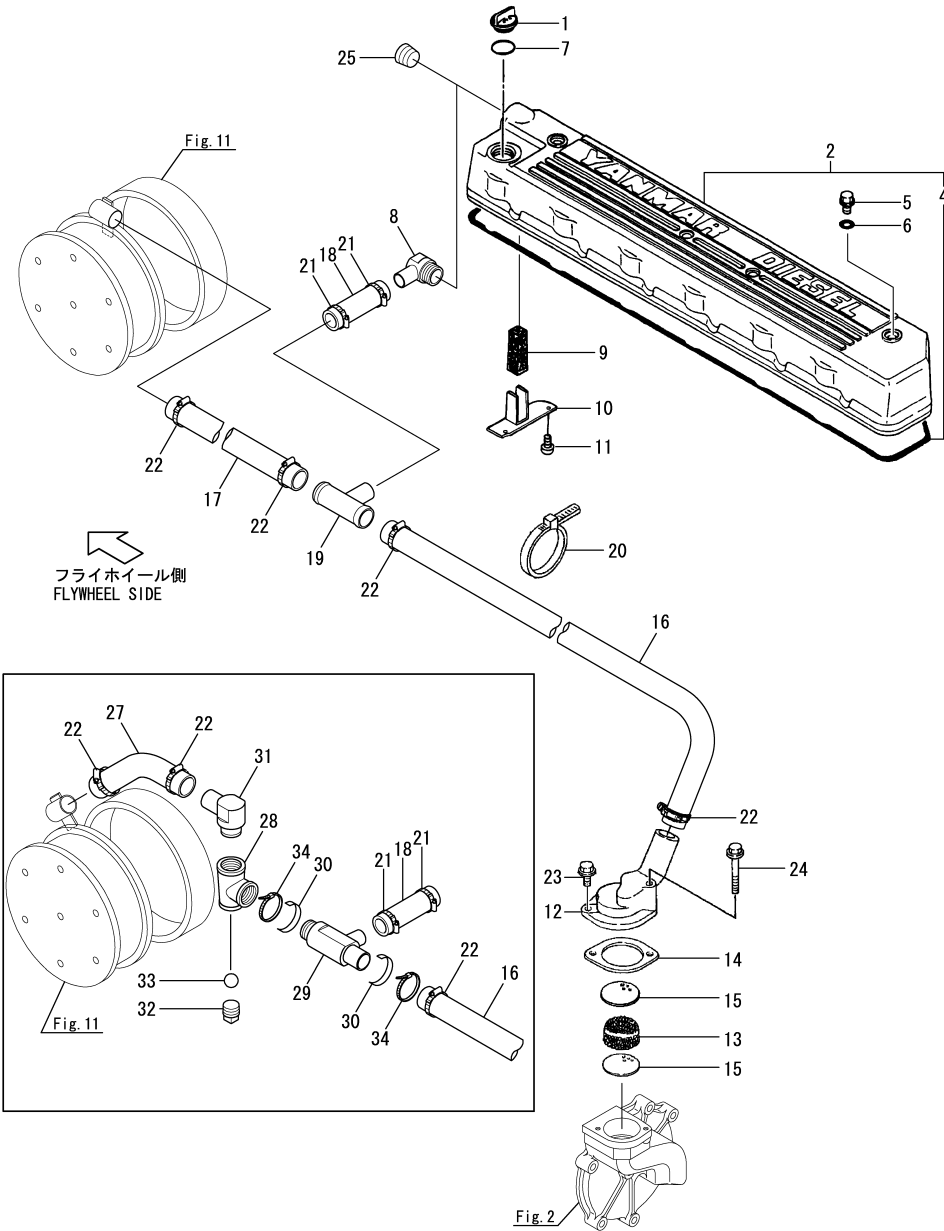
No.	Lev.	Parts No.	Description	Q'ty						I	R
				(A)	(B)	(C)	(D)	(E)	(F)		
1	1	124160-01751	CAP, FILLER	1	1	1					
2	1	119588-11310	BONNET ASSY, HEAD	1	1						
2-1	1	119588-11311	COVER ASSY, BONNET	1	1	1					R
4	2	(A=*2014.02.) 119593-11360 (B=*2014.02.)	GASKET, BONNET	1	1	1					
5	1	124160-11360	KNOB	4	4	4					
6	1	24311-000120	O-RING, 1AP12.0	4	4	4					
7	1	24311-000320	O-RING, 1AP32.0	1	1	1					
8	1	119593-49320	JOINT	1	1	1					
9	1	119593-03100	FILTER, BREATHER	1	1	1					
10	1	119593-03200	COVER, BREATHER	1	1	1					
11	1	26022-050122	SCREW, M5X12	2	2	2					
12	1	119173-03030	COVER, BREATHER	1	1	1					
13	1	121850-03050	FILTER, BREATHER	1	1	1					
14	1	124411-03051	GASKET	1	1	1					
15	1	121750-03080	PLATE, BAFFLE	2	2	2					
16	1	119593-03093	HOSE, BREATHER	1	1	1					
17	1	119593-03120	HOSE, BREATHER	1							
17-1	1	119574-03120	HOSE, BREATHER	1	1	1					R
18	1	(A=E50279) 119593-03130	HOSE, BREATHER	1							
18-1	1	119574-03130	HOSE, BREATHER	1	1	1					R
19	1	(A=E50279) 119593-03140	JOINT, BREATHER	1	1	1					
20	1	194250-51660	BAND, NYLON 250	2	2						
20-1	1	29622-250001	BAND, RF250	2	2	2					R
21	1	(A=*2012.03.) 23000-028000 (B=*2012.03.)	CLAMP, 28	2	2						
21-1	1	119172-48280	CLIP, HOSE 28	2	2	2					N
22	1	(A=*2002.02.) 23000-035000 (B=E00062)	CLAMP, 35	4	4						
22-1	1	119172-48350	CLIP, HOSE 35	4	4	4					N
23	1	(A=*2002.02.) 26106-060202 (B=E00062)	BOLT, M6X 20 PLATED	1	1	1					
24	1	26106-060402	BOLT, M6X 40 PLATED	1	1						
24-1	1	26106-060502	BOLT, M6X 50 PLATED	1	1	1					N
25	1	(A=*2003.04.) 23876-030000 (B=*2003.04.)	PLUG, R03	1	1	1					
27	1	119574-03060	HOSE A, BREATHER	1	1	1					W 1
28	1	(B=E00620) 119574-03070 (B=E00620)	JOINT A, BREATHER	1	1						W 1
29	1	119574-03080	JOINT B, BREATHER	1	1						W 1
30	1	(B=E00620) 119574-44630 (B=E00620)	SEAT, RUBBER	1	1						W 1
31	1	(B=E00620) 23123-060406 (B=E00620)	JOINT, 3/4X1/2X3/4	1	1						W 1
32	1	23171-040000	PLUG, R1/2	1	1						W 1
33	1	(B=E00620) 24190-230001	BALL, 23/32	1	1						W 1

Remarks  
(1)SOLAS spec(optional).

Fig.8. BONNET & BREATHER

(A)=6LY2-STE  
(B)=6LY2A-STP  
(C)=6LY2A-UTP

(D)=  
(E)=  
(F)=



No.	Lev.	Parts No.	Description	Q'ty						I	R
				(A)	(B)	(C)	(D)	(E)	(F)		
			(B=E00620)								
34	1	29621-200000	BAND (B=E00620)		2	2					W 1

Remarks  
(1)SOLAS spec(optional).

Fig.9. SUCTION MANIFOLD

(A)=6LY2-STE  
(B)=6LY2A-STP  
(C)=6LY2A-UTP

(D)=  
(E)=  
(F)=

No.	Lev.	Parts No.	Description	Q'ty						I	R
				(A)	(B)	(C)	(D)	(E)	(F)		
1	1	119574-12110	MANIFOLD, INTAKE	1	1	1					
2	1	119593-12111	GASKET, MANIFOLD	1	1	1					
3	1	23414-080000	GASKET, 8X1.0	1	1	1					
4	1	26106-080122	BOLT, M8X 12 PLATED	1	1	1					
5	1	26106-080402	BOLT, M8X 40 PLATED	7	7	7					
6	1	26106-080702	BOLT, M8X 70 PLATED	6	6	6					
7	1	119574-18480	HOSE	1	1						
7-1	1	119593-18480	JOINT, RUBBER	1	1	1					R
		(A=*2010.09.) (B=E00348)									
8	1	129590-18520	JOINT	2	2	2					
9	1	124160-39140	BOLT, PIPE JOINT M10	2	2	2					
10	1	23000-013000	CLAMP, 13	2	2						
10-1	1	119172-48130	CLIP, HOSE 13	2	2	2					N
		(A=*2002.02.) (B=E00062)									
11	1	23414-100000	GASKET, 10X1.0	4	4	4					

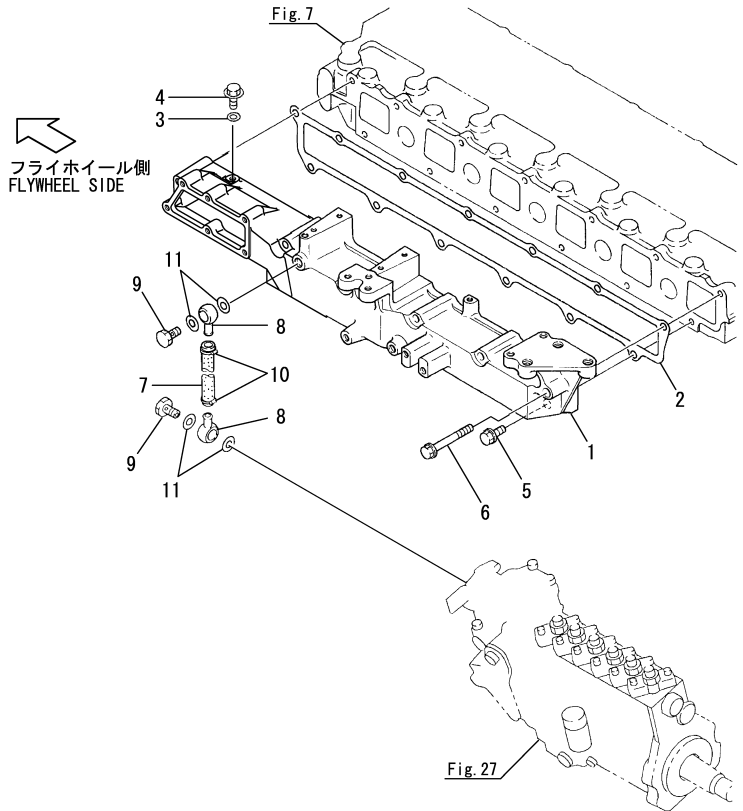
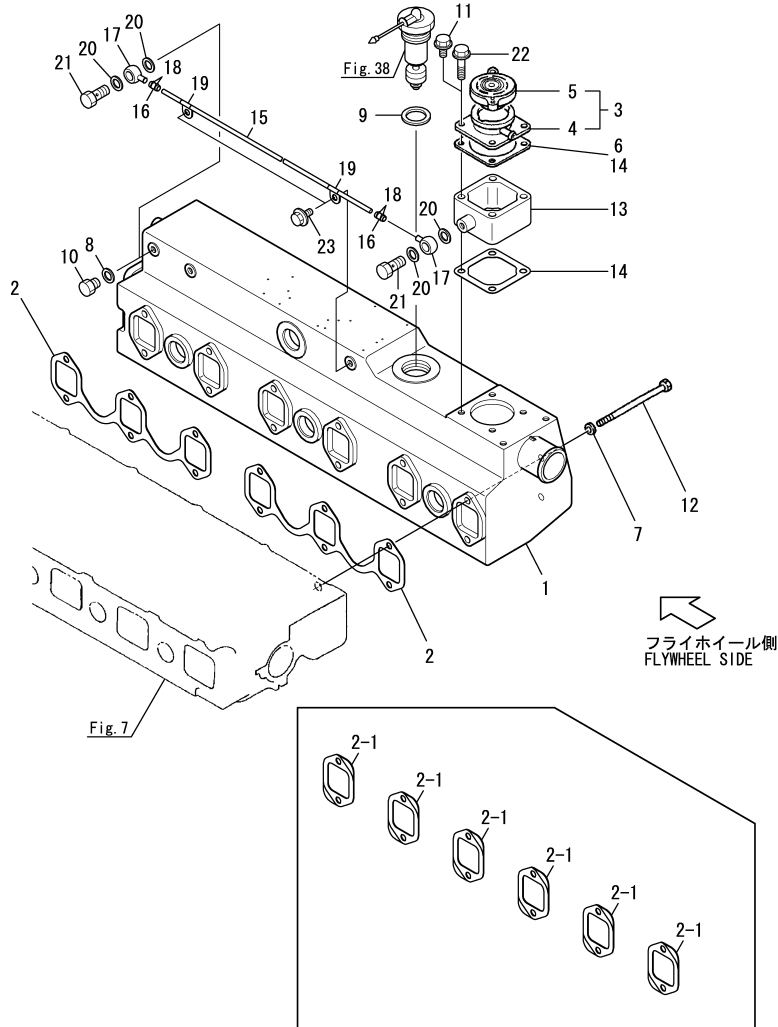


Fig.10. EXHAUST MANIFOLD

(A)=6LY2-STE  
(B)=6LY2A-STP  
(C)=6LY2A-UTP

(D)=  
(E)=  
(F)=



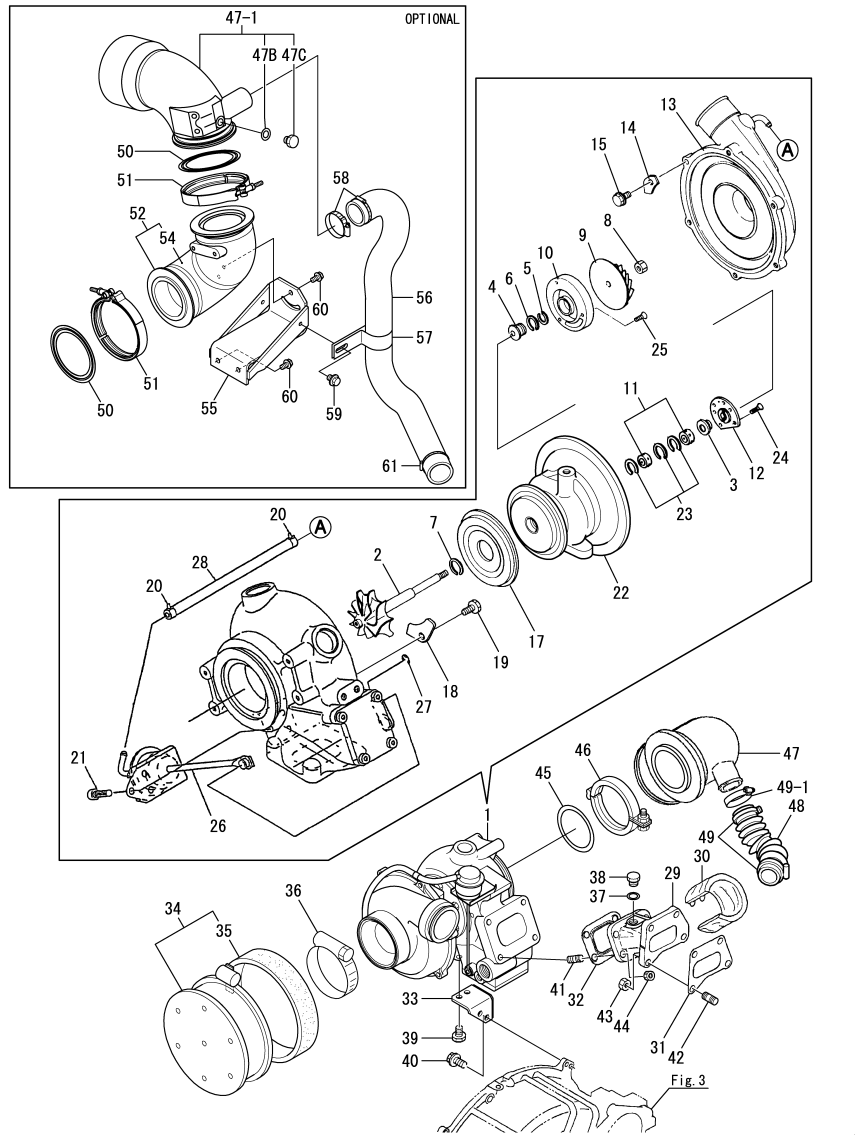
No.	Lev.	Parts No.	Description	Q'ty						I	R
				(A)	(B)	(C)	(D)	(E)	(F)		
1	1	119574-13110	MANIFOLD, EXHAUST	1	1	1					
2	1	119593-13202	GASKET	2	2						
2-1	1	119595-13200	GASKET	6	6	6					N
2-2	1	119595-13300	GASKET,EXH. MANIFOLD	6	6	6					N
3	1	129171-44600	FILLER ASSY	1	1	1					
4	2	129171-44620	FILLER ASSY	1	1	1					
5	2	129107-44590	CAP, RADIATOR	1	1	1					
6	1	120445-44640	GASKET	1	1	1					
7	1	22137-080000	WASHER, 8	12	12	12					
8	1	23414-080012	GASKET, 8X1.0	1	1	1					
9	1	23414-360000	GASKET, 36X1.0	1	1	1					
10	1	124790-55770	PLUG, 8	1	1	1					
11	1	26106-080142	BOLT, M8X 14 PLATED	4	4	4					
12	1	119593-13220	BOLT, M8X145	12	12	12					
13	1	119595-44600	SPACER	1	1	1					1
14	1	120445-44640	GASKET	2	2	2					1
15	1	119595-44700	PIPE, WATER	1	1	1					1
16	1	119595-44801	JOINT	2	2	2					1
17	1	104264-59030	JOINT, PIPE 8	2	2	2					1
18	1	23000-013000	CLAMP, 13	4	4						1
18-1	1	119172-48130	CLIP, HOSE 13	4	4	4					N 1
19	1	23297-080081	CLAMP, A8X 8	2	2	2					1
20	1	23414-080012	GASKET, 8X1.0	4	4	4					1
21	1	23857-030000	BOLT, JOINT 3	2	2	2					1
22	1	26106-080602	BOLT, M8X 60 PLATED	4	4	4					1
23	1	26106-080162	BOLT, M8X 16 PLATED	2	2	2					

Remarks  
(1)Optional parts.

Fig.11. TURBINE

(A)=6LY2-STE  
(B)=6LY2A-STP  
(C)=6LY2A-UTP

(D)=  
(E)=  
(F)=



OCR10-M51503 - Fig.11  
タービン

No.	Lev.	Parts No.	Description	Q'ty						I	R
				(A)	(B)	(C)	(D)	(E)	(F)		
1	1	119575-18011	TURBINE, RHC7W	1	1						
1-1	1	119575-18020	TURBINE, RHC7W	1	1	1					S
		(A=*2001.11.) (B=*2001.11.)									
2	2	XNH271331	SHAFT,TURBINE	1	1						
2-1	2	XNH172003	SHAFT ASSY	1	1	1					S
		(A=*2001.11.) (B=*2001.11.)									
3	2	XNH271351	BUSH	1	1	1					
4	2	XNH171881	OIL THROWER	1	1	1					
5	2	XNH261605	RING, SEAL	1	1	1					
6	2	XNH191305	RING, SEAL	1	1	1					
7	2	XNN171107	RING, SEAL	1	1	1					
8	2	XNN171110	NUT	1	1	1					
9	2	XNH175702	IMPELLER, COMPRESSER	1	1	1					
10	2	XNH172500	SEAL PLATE	1	1	1					
11	2	XNN173504	BEARING	2	2	2					
12	2	XNH273502	THRUST BEARING	1	1	1					
13	2	XNE974250	HOUSING(COMPRESSER	1	1	1					
14	2	XNH174404	RETAINER	6	6	6					
15	2	XNH174307	BOLT	6	6	6					
17	2	XNH178265	PLATE,INSULATION	1	1	1					
18	2	XNN137423	RETAINER	8	8	8					
19	2	XNN137007	BOLT, M8	8	8	8					
20	2	XNN976562	CLAMP	2	2	2					
21	2	XNH362809	FLAT BOLT	3	3	3					
22	2	XNE973420	BEARING HOUSING	1	1						
22-1	2	XNH173436	BEARING HOUSING	1	1	1					S
		(A=*2001.11.) (B=*2001.11.)									
23	2	XNN173204	CIRCLIP	4	4	4					
24	2	XNH193006	BOLT	4	4	4					
25	2	XNB133206	SCREW	4	4	4					
26	2	XNH961270	ACTUATER	1	1						
26-1	2	XNH963611	ACTUATER	1	1	1					S
		(A=*2001.11.) (B=*2001.11.)									
27	2	XJD532012	CIRCLIP	1	1	1					
28	2	XNH978942	BOOST HOSE	1	1	1					
29	1	119574-18050	BRACKET	1	1						
29-1	1	119574-18051	BRACKET	1	1	1					R
		(A=*2009.10.) (B=*2009.10.)									
30	1	119593-18070	COVER	1	1	1					
31	1	119593-18080	GASKET	1	1	1					
32	1	119593-18110	GASKET	1	1	1					
33	1	119574-18290	RETAINER	1	1	1					
34	1	119593-18871	SILENCER ASSY	1	1	1					
35	2	119593-18880	FILTER, AIR 65MM	1	1	1					
36	1	123658-18910	CLIP, HOSE	1	1	1					
37	1	23414-170000	GASKET, 17X1.0	2	2	2					
38	1	23894-030002	PLUG, G3/8	2	2	2					
39	1	26106-100182	BOLT, M10X 18 PLATED	2	2	2					
40	1	26106-100222	BOLT, M10X 22 PLATED	2	2	2					
41	1	26223-100252	STUD, M10X 25	4	4	4					
42	1	26223-100252	STUD, M10X 25	4	4						

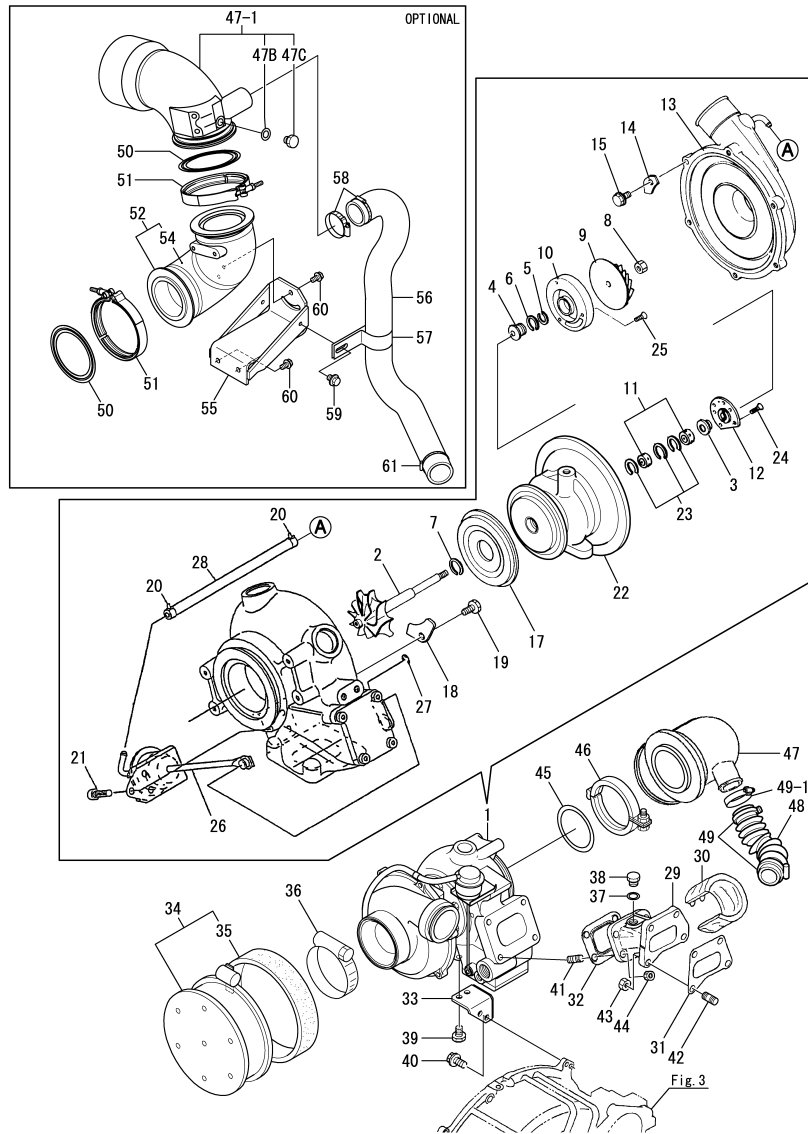
Remarks  
(1)Optional parts.



Fig.11. TURBINE

(A)=6LY2-STE  
(B)=6LY2A-STP  
(C)=6LY2A-UTP

(D)=  
(E)=  
(F)=



No.	Lev.	Parts No.	Description	Q'ty						I	R
				(A)	(B)	(C)	(D)	(E)	(F)		
42-1	1	26213-100252 (A=*2008.12.) (B=*2008.12.)	STUD, M10X 25	4	4	4					N
43	1	26703-100002	NUT, M10	4	4	4					
44	1	26703-100002	NUT, M10	4	4	4					
45	1	119574-13250	GASKET(T/C EXH		1						
45-1	1	119574-13251 (B=*2004.03.)	GASKET		1	1					N
46	1	119574-13300	CLAMP		1	1					
47	1	119574-13500	ELBOW	1	1						
47-1	1	719578-13500 (A=*2005.04.) (B=*2005.04.)	ELBOW ASSY	1	1	1					N
47B	2	23414-130000 (A=*2005.04.) (B=*2005.04.)	GASKET, 13X1.0	1	1	1					W
47C	2	23893-020002 (A=*2005.04.) (B=*2005.04.)	PLUG, G1/4	1	1	1					W
48	1	119574-49751	HOSE, MIXING		1	1					
49	1	23000-054000	CLAMP, 54	2	2						
49-1	1	119172-48480 (B=*2008.12.)	CLAMP, HOSE 48		3	3					N 1
50	1	119574-13250	GASKET(T/C EXH	2	2						1
50-1	1	119574-13251 (A=*2004.03.) (B=*2004.03.)	GASKET	2	2	2					N 1
51	1	119574-13300	CLAMP	2	2	2					1
52	1	119575-13300	BEND ASSY	1	1	1					1
54	2	119575-13320	MAT	1	1	1					1
55	1	119575-13330	BRACKET	1	1	1					1
56	1	119575-13340	HOSE, RUBBER	1	1	1					1
57	1	119575-13350	FITTING, PIPE	1	1	1					1
58	1	23000-054000	CLAMP, 54	2	2						1
58-1	1	119172-48480 (A=*2008.12.) (B=*2008.12.)	CLAMP, HOSE 48	2	2	2					N 1
59	1	26106-080102	BOLT, M8X 10 PLATED	1	1	1					1
60	1	26106-080142	BOLT, M8X 14 PLATED	4	4	4					1
61	1	119172-48480 (A=*2008.12.) (B=*2008.12.)	CLAMP, HOSE 48	1	1	1					W 1

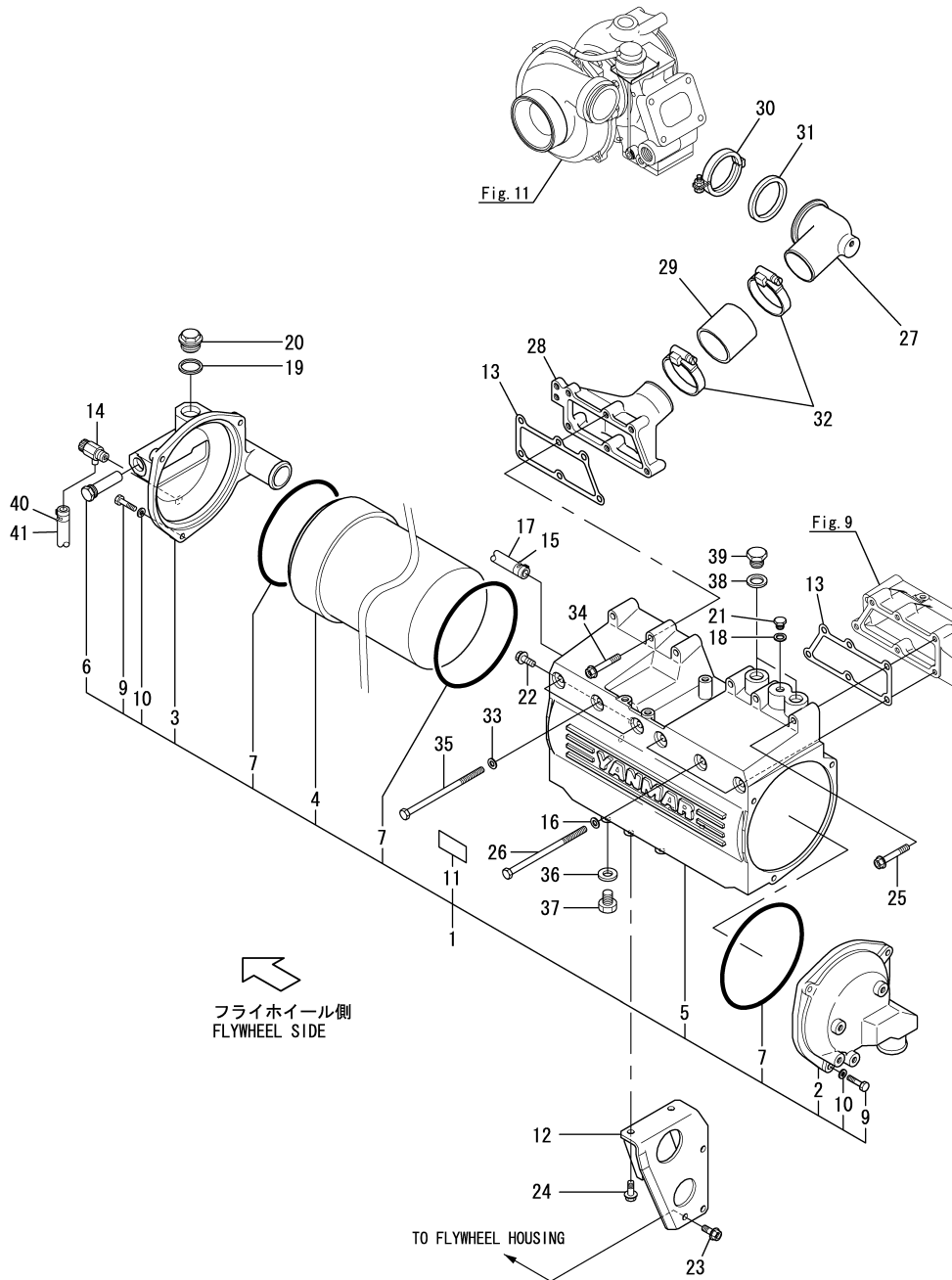
OCR10-M51503 - Fig.11  
タービン

Remarks  
(1)Optional parts.

Fig.12. INTER COOLER

(A)=6LY2-STE  
(B)=6LY2A-STP  
(C)=6LY2A-UTP

(D)=  
(E)=  
(F)=



No.	Lev.	Parts No.	Description	Q'ty						I	R
				(A)	(B)	(C)	(D)	(E)	(F)		
1	1	119574-18102	COOLER ASSY, INTER	1	1	1					
2	2	119574-18750	BOX, WATER	1	1	1					
3	2	119574-18760	BOX, WATER	1	1	1					
4	2	119574-18770	TUBESTACK	1	1	1					
5	2	119574-18780	CASE, AIR COOLER	1	1	1					
6	2	119574-18790	ZINC, ANTI-CORROSIVE	1	1	1					
7	2	119574-18810	O-RING	3	3	3					
9	2	X214320104	SCREW	6	6	6					
10	2	X211810030	WASHER	6	6	6					
11	2	119574-18820	LABEL	1	1	1					
12	1	119574-18120	SUPPORT	1	1						
12-1	1	119595-18120	SUPPORT	1	1						R
(A=*2008.12.) (B=*2008.12.)											
12-2	1	119595-18121	SUPPORT, AIR COOLER	1	1	1					N
(A=*2008.12.) (B=*2008.12.)											
13	1	119595-18600	GASKET	2	2	2					
14	1	119620-49290	COCK ASSY, 1/4	1	1	1					
15	1	124766-59050	CLAMP, HOSE 11.5	1	1	1					
16	1	22137-080000	WASHER, 8	3	3	3					
17	1	23061-100750	PIPE, 10X 750	1	1	1					
18	1	23414-120000	GASKET, 12X1.0	1	1	1					
19	1	22190-270002	WASHER, SEAL 27	1	1	1					
20	1	119574-18800	PLUG, M26X1.5	1	1	1					
21	1	23887-120002	PLUG, 12	1	1	1					
22	1	26106-080202	BOLT, M8X 20 PLATED	2	2	2					
23	1	26106-080202	BOLT, M8X 20 PLATED	3	3	3					
24	1	26106-080302	BOLT, M8X 30 PLATED	2	2	2					
25	1	26106-080552	BOLT, M8X 55 PLATED	3	3	3					
26	1	26116-081502	BOLT, M8X150 PLATED	3	3	3					
27	1	119574-18170	DUCT, AIR	1	1						
27-1	1	119595-18170	DUCT, AIR	1	1	1					R
(A=*2008.12.) (B=*2008.12.)											
28	1	119574-18180	DUCT, AIR	1	1						
28-1	1	119595-18180	DUCT, AIR	1	1	1					R
(A=*2008.12.) (B=*2008.12.)											
29	1	119595-18250	HOSE, AIR DUCT	1	1						
29-1	1	127695-18251	HOSE, RUBBER	1	1	1					R
(A=*2011.08.) (B=E00511)											
30	1	119574-18700	BAND	1	1	1					
31	1	119593-18800	GASKET	1	1	1					
32	1	127687-18910	CLIP, HOSE	2	2	2					
33	1	22137-080000	WASHER, 8	3	3	3					
34	1	26113-080552	BOLT M 8X 55	3	3	3					
35	1	26113-081502	BOLT, M8X150	3	3	3					
36	1	23414-080012	GASKET, 8X1.0	1	1	1					
37	1	124790-55770	PLUG, 8	1	1	1					
38	1	23414-200000	GASKET, 20X1.0	2	2	2					
39	1	23887-200002	PLUG, 20	2	2	2					
40	1	124460-77680	RETAINER	1	1	1					
41	1	23061-070400	PIPE, 7X 400	1	1	1					

Fig.13. CAMSHAFT & DRIVING GEAR

(A)=6LY2-STE  
(B)=6LY2A-STP  
(C)=6LY2A-UTP

(D)=  
(E)=  
(F)=

No.	Lev.	Parts No.	Description	Q'ty						I	R
				(A)	(B)	(C)	(D)	(E)	(F)		
1	1	119595-14000	CAMSHAFT ASSY	1							
1A	1	119595-14000	CAMSHAFT ASSY		1						
1A-1	1	119595-14050	CAMSHAFT ASSY		1	1					S
(B="2001.11.)											
2	2	119000-02450	BEARING, THRUST	1	1	1					
4	2	119000-14100	GEAR, CAMSHAFT Z=48	1	1	1					
5	2	22512-070140	KEY, 7X 14	1	1	1					
6	1	119000-14200	TAPPET	6	6	6					
7	1	119595-14200	TAPPET	6	6						
7-1	1	119578-14240	TAPPET	6	6	6					R
(A="2006.07.) (B="2006.07.)											
8	1	119171-14400	ROD, PUSH L=178	12	12	12					
9	1	26106-080162	BOLT, M8X 16 PLATED	2	2						
9-1	1	26013-080182	BOLT, M8X 18		2	2					N
(B="2003.04.)											
10	1	119593-25051	SHAFT, IDLE GEAR	1	1	1					
11	1	119593-25060	BOLT, M8X50	4	4	4					
12	1	119595-25100	GEAR ASSY, IDLE	1	1	1					
14	2	119593-25110	BUSH, IDLE GEAR	1	1	1					

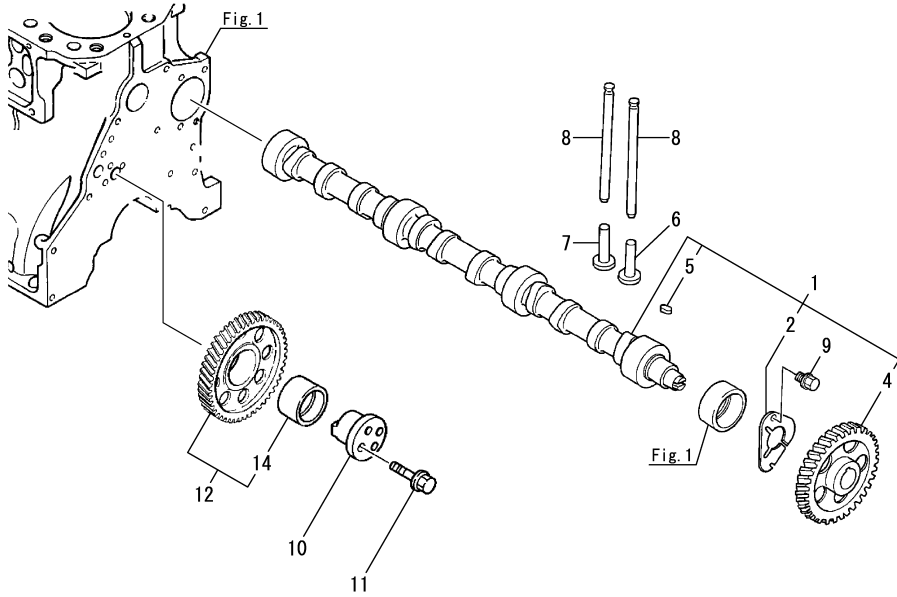
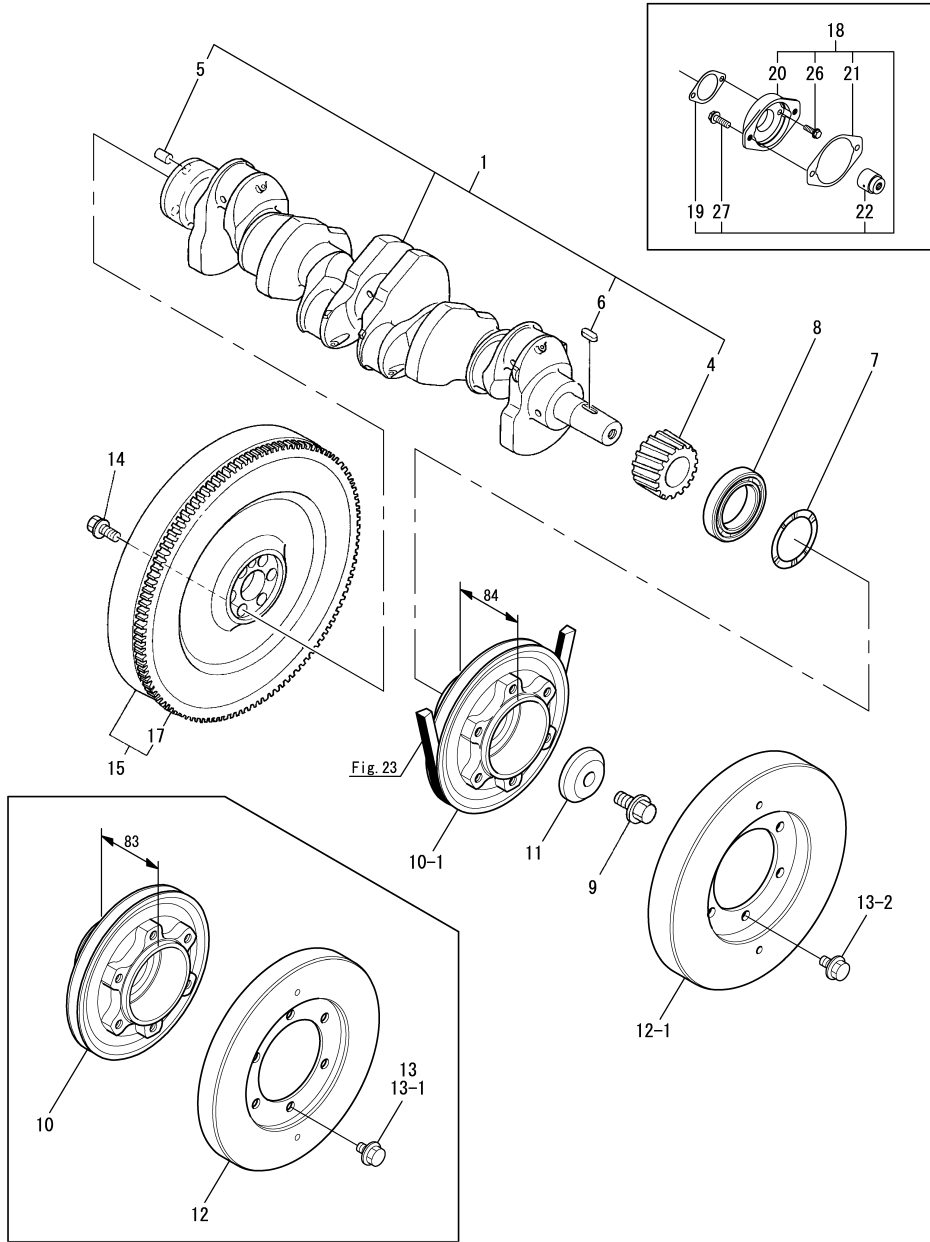


Fig.14. CRANKSHAFT & FLYWHEEL

(A)=6LY2-STE  
(B)=6LY2A-STP  
(C)=6LY2A-UTP

(D)=  
(E)=  
(F)=



No.	Lev.	Parts No.	Description	Q'ty						I	R
				(A)	(B)	(C)	(D)	(E)	(F)		
1	1	719595-21700	CRANKSHAFT ASSY	1	1	1					
4	3	119595-21200	GEAR, CRANKSHAFT	1	1	1					
5	3	121850-21920	PIN, PARALLEL 10X22	1	1	1					
6	2	22512-070220	KEY, 7X 22	1	1	1					
7	1	119595-21300	WASHER, 50	1	1	1					
8	1	24101-060100	BEARING, BALL 6010C3	1	1	1					
9	1	123672-21500	BOLT, M16X50	1	1	1					
10	1	119595-21650	V-PULLEY	1	1	1					
10-1	1	119595-21651	V-PULLEY	1	1	1					F 1
		(A=*2004.09.)	(B=*2004.09.)								
11	1	123672-21861	WASHER	1	1	1					
12	1	119593-28060	DAMPER, D246XT25	1	1						
12-1	1	119578-28000	DAMPER			1	1				F 1
		(B=*2004.09.)									
13	1	26106-100162	BOLT, M10X 16 PLATED	6	6						
13-1	1	26106-100182	BOLT, M10X 18 PLATED	6	6						N
		(A=*2003.04.)	(B=*2003.04.)								
13-2	1	26106-100222	BOLT, M10X 22 PLATED			6	6				F 1
		(B=*2004.09.)									
14	1	119593-21500	BOLT, FLYWHEEL	6	6	6					
15	1	119593-21602	FLYWHEEL ASSY	1							
15A	1	119593-21602	FLYWHEEL ASSY		1						
15A-1	1	119575-21600	FLYWHEEL ASSY		1	1					S
		(B=*2001.11.)									
17	2	127410-21480	GEAR, RING Z=129	1	1	1					
18	1	777524-02120	FLANGE KIT, PTO		1						W 2
		(B=*2004.09.)									
18-1	1	777524-02121	FLANGE KIT, PTO		1	1					N 2
		(B=E00467)									
19	2	177524-02210	GASKET, COVER		1						
19-1	2	177524-02211	GASKET, COVER		1	1					N
		(B=*2012.03.)									
20	2	177524-02220	FLANGE, SAE#A		1						
20-1	2	177524-02221	FLANGE, SAE#A		1	1					N
		(B=E00467)									
21	2	177524-02230	GASKET		1	1					
22	2	177524-03701	SLEEVE ASSY, SPLINE		1	1					
26	2	26106-080302	BOLT, M8X 30 PLATED		2	2					
27	2	26106-100352	BOLT, M10X 35 PLATED		2	2					

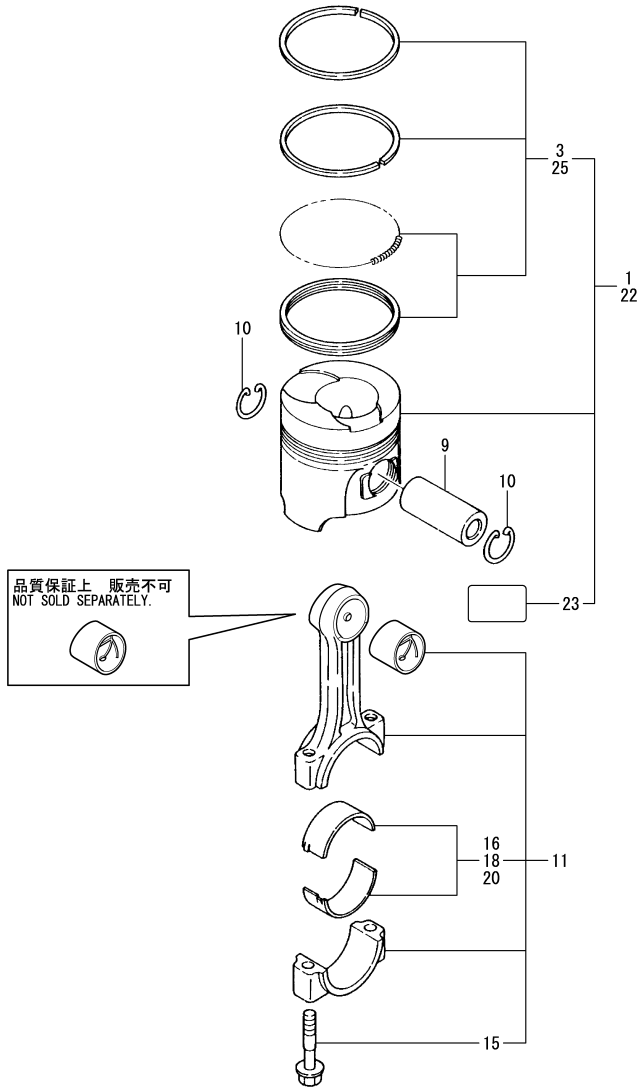
Remarks

- (1) Interchangeable by simultaneous replacement with No.10-1, 12-1, 13-2.
- (2) Optional parts.

Fig.15. PISTON & CONNECTING ROD

(A)=6LY2-STE  
(B)=6LY2A-STP  
(C)=6LY2A-UTP

(D)=  
(E)=  
(F)=



No.	Lev.	Parts No.	Description	Q'ty						I	R
				(A)	(B)	(C)	(D)	(E)	(F)		
1	1	719595-22720	PISTON ASSY	6							
1-1	1	719595-22740	PISTON ASSY,1CYL	6						S	3
(A=*2012.05.)											
1A	1	719595-22720	PISTON ASSY		6						
1A-1	1	719575-22720	PISTON ASSY		6					S	
(B=*2001.11.)											
1A-2	1	719575-22740	PISTON ASSY,1CYL		6	6				S	3
(B=E00861)											
3	2	119595-22300	RING SET, PISTON	6	6	6					
9	1	119503-22300	PIN, PISTON	6	6						
9-1	1	119503-22301	PIN, PISTON	6	6	6					N
(A=*2012.11.) (B=E00828)											
10	1	22252-000370	RING, 37	12	12	12					
11	1	719595-23701	ROD ASSY, CONNECTING	6	6	6					
15	2	119593-23200	BOLT, CONNECTING ROD	12	12	12					
16	2	719595-23600	BEARING, CRANK PIN	6	6	6					
18	1	119595-23310	METAL ASSY, 0.50	6	6	6					2
18A	1	119593-23400	METAL ASSY, 0.25 US	6	6	6					1
20	1	119595-23320	METAL ASSY, 1.00 US	6	6	6					4
22	1	719595-22750	PISTON ASSY,6CYL	1							W 5
(A=*2012.08.)											
22A	1	719575-22750	PISTON ASSY,6CYL		1	1					W 5
(B=E00861)											
23	2	119575-07220	LABEL, PISTON	1	1	1					W
(A=*2012.08.) (B=E00861)											
25	2	119595-22300	RING SET, PISTON	6	6	6					

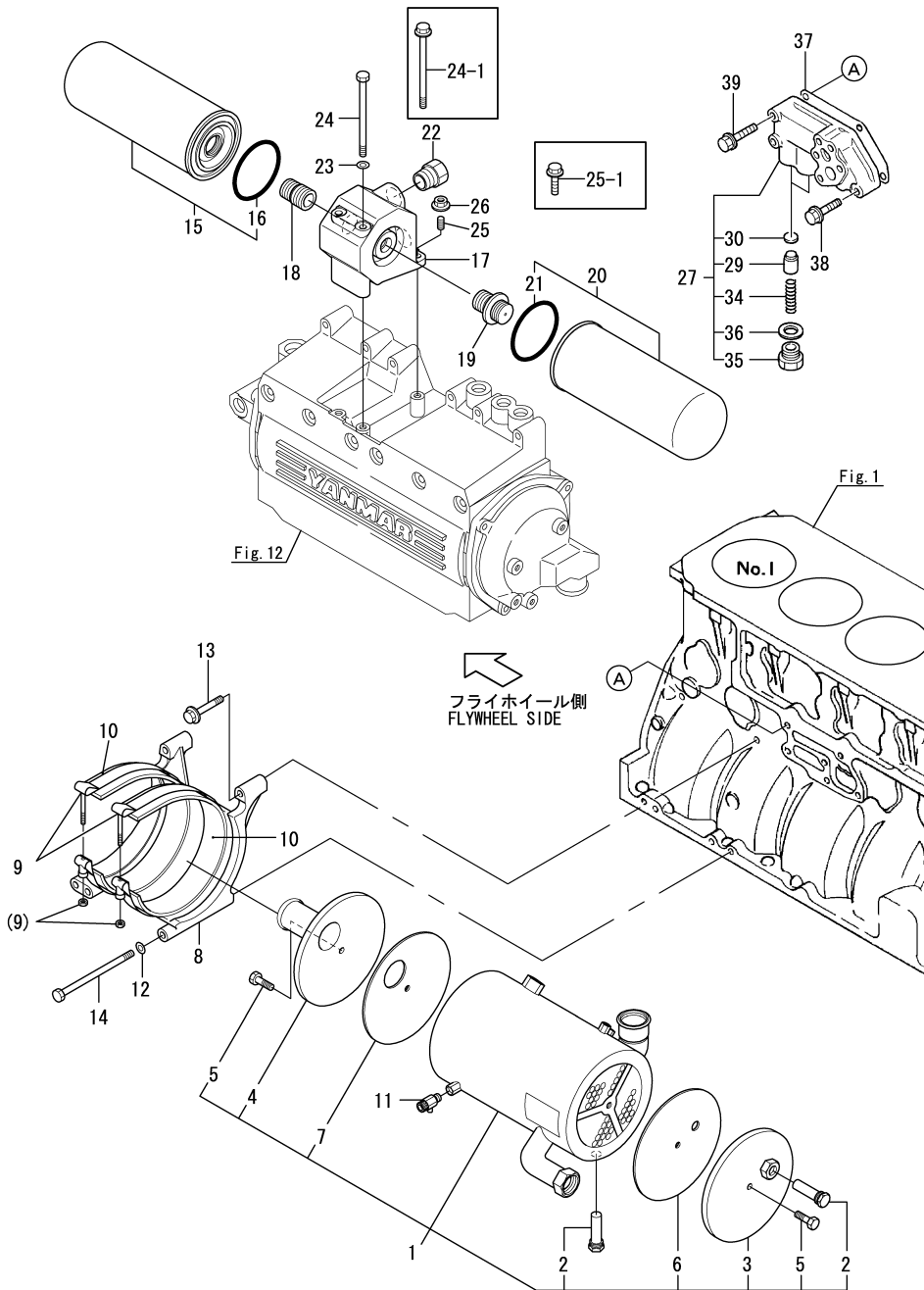
Remarks

- (1)Under-sized (U.S.=0.25) parts.
- (2)Under-sized (U.S.=0.50) parts.
- (3)It is compatibility by exchange in six at the same time.
- (4)Under-sized (U.S.=1.00)cannot be sold.
- (5)Set parts number.

Fig.16. LUB. OIL COOLER & LUB. OIL STRAINER

(A)=6LY2-STE  
(B)=6LY2A-STP  
(C)=6LY2A-UTP

(D)=  
(E)=  
(F)=

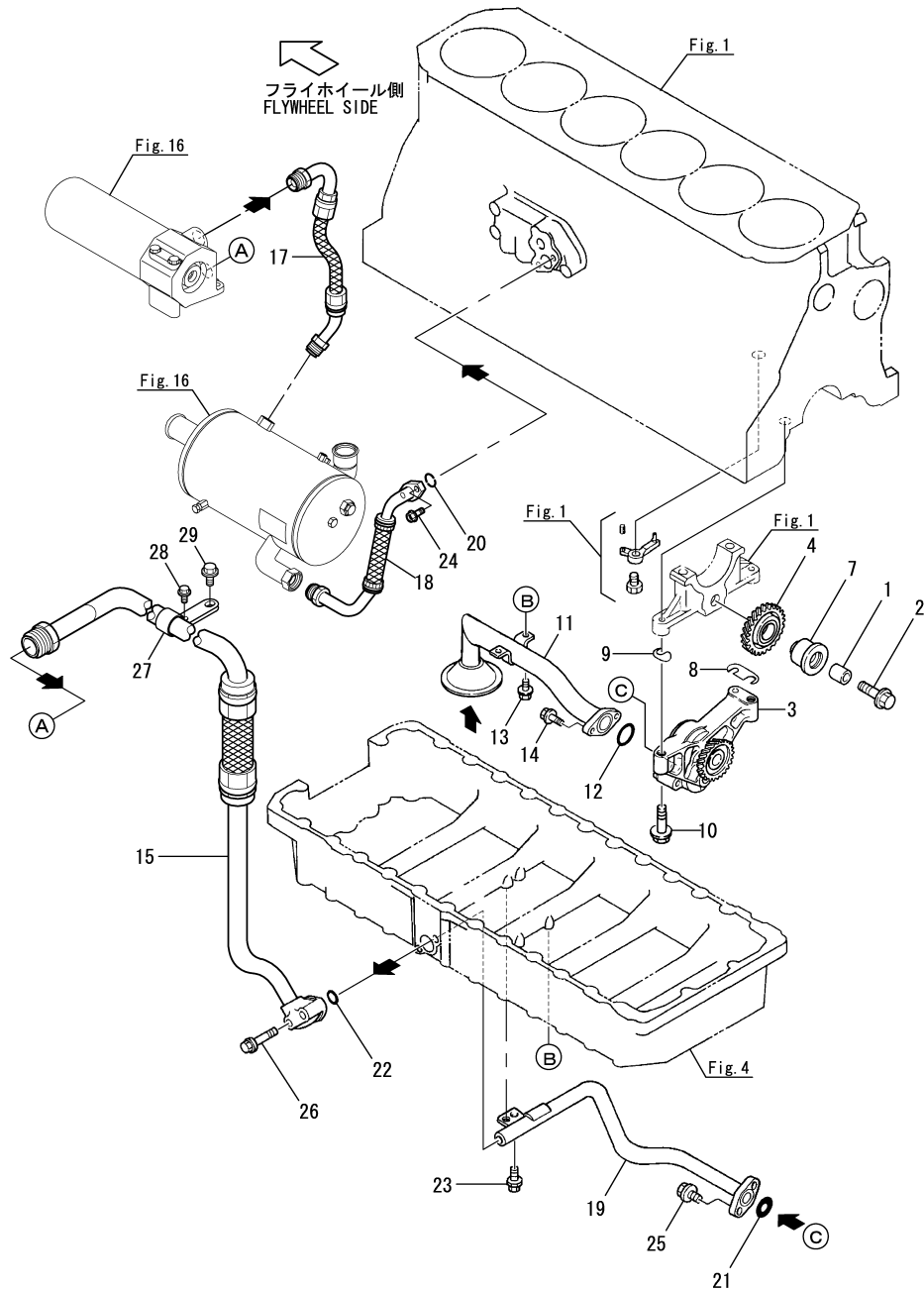


No.	Lev.	Parts No.	Description	Q'ty						I	R
				(A)	(B)	(C)	(D)	(E)	(F)		
1	1	119574-33011	COOLER ASSY, OIL	1	1	1					
2	2	119574-44150	ZINC, ANTI-CORROSIVE	2	2	2					
3	2	119574-33180	COVER ASSY	1	1	1					
4	2	119574-33170	COVER ASSY, A	1	1	1					
5	2	119574-44180	BOLT, UNC 3/8	2	2	2					
6	2	119574-66160	GASKET	1	1	1					
7	2	119574-33150	GASKET	1	1	1					
8	1	119574-33050	BRACKET	1	1						
8-1	1	119595-33050	BRACKET, COOLER		1	1					R
(B=E00062)											
9	1	119574-33600	CLAMP, BOLT	2	2	2					
10	1	119574-33621	SEAT, RUBBER	2	2	2					
11	1	119620-49290	COCK ASSY, 1/4	1	1	1					
12	1	22137-080000	WASHER, 8	3	3	3					
13	1	26106-080502	BOLT, M8X 50 PLATED	2	2	2					
14	1	26116-081302	BOLT, M8X130 PLATED	3	3	3					
15	1	119593-35100	FILTER ASSY, OIL	1	1	1					
16	2	X0588530373	GASKET	1	1	1					
17	1	119574-35150	BRACKET	1	1	1					
18	1	119593-35150	BRACKET	1	1						
18-1	1	119595-35150	BRACKET, FILTER		1	1					R
(B=E00062)											
19	1	119593-35161	BRACKET	1	1	1					
20	1	119593-35400	FILTER, OIL	1	1	1					
21	2	X0588530373	GASKET	1	1	1					
22	1	119574-39200	JOINT	2	2	2					
23	1	22137-080000	WASHER, 8	2	2	2					
23-1	1	22137-080000	WASHER, 8		2						Z
(B=*2011.07.)											
24	1	26116-081202	BOLT, M8X120 PLATED	2	2						
24-1	1	26106-081202	BOLT, M8X120 PLATED		2	2					N
(B=*2011.07.)											
25	1	26226-080182	STUD, M8X 18	1	1						
25-1	1	26106-080252	BOLT, M8X 25 PLATED		1	1					N
(B=E00062)											
26	1	26366-080002	NUT, M8	1	1						
26-1	1	26306-080002	NUT, M8	1	1						N
(A=E50655) (B=*2001.03.)											
26-2	1	26306-080002	NUT, M8		1						Z
(B=E00062)											
27	1	119593-34001	VALVE ASSY, CONTROL	1	1	1					
29	2	119000-34030	VALVE, CONTROL	2	2	2					
30	2	121850-35200	SHIM SET	2	2	2					
34	2	124411-35520	SPRING	2	2	2					
35	2	123672-84530	RETAINER, VALVE	2	2	2					
36	2	23414-180000	GASKET, 18X1.0	2	2	2					
37	1	119593-34020	GASKET	1	1	1					
38	1	26106-080402	BOLT, M8X 40 PLATED	1	1	1					
39	1	26106-080452	BOLT, M8X 45 PLATED	4	4	4					

Fig.17. LUB. OIL PUMP & LUB. OIL PIPE

(A)=6LY2-STE  
(B)=6LY2A-STP  
(C)=6LY2A-UTP

(D)=  
(E)=  
(F)=

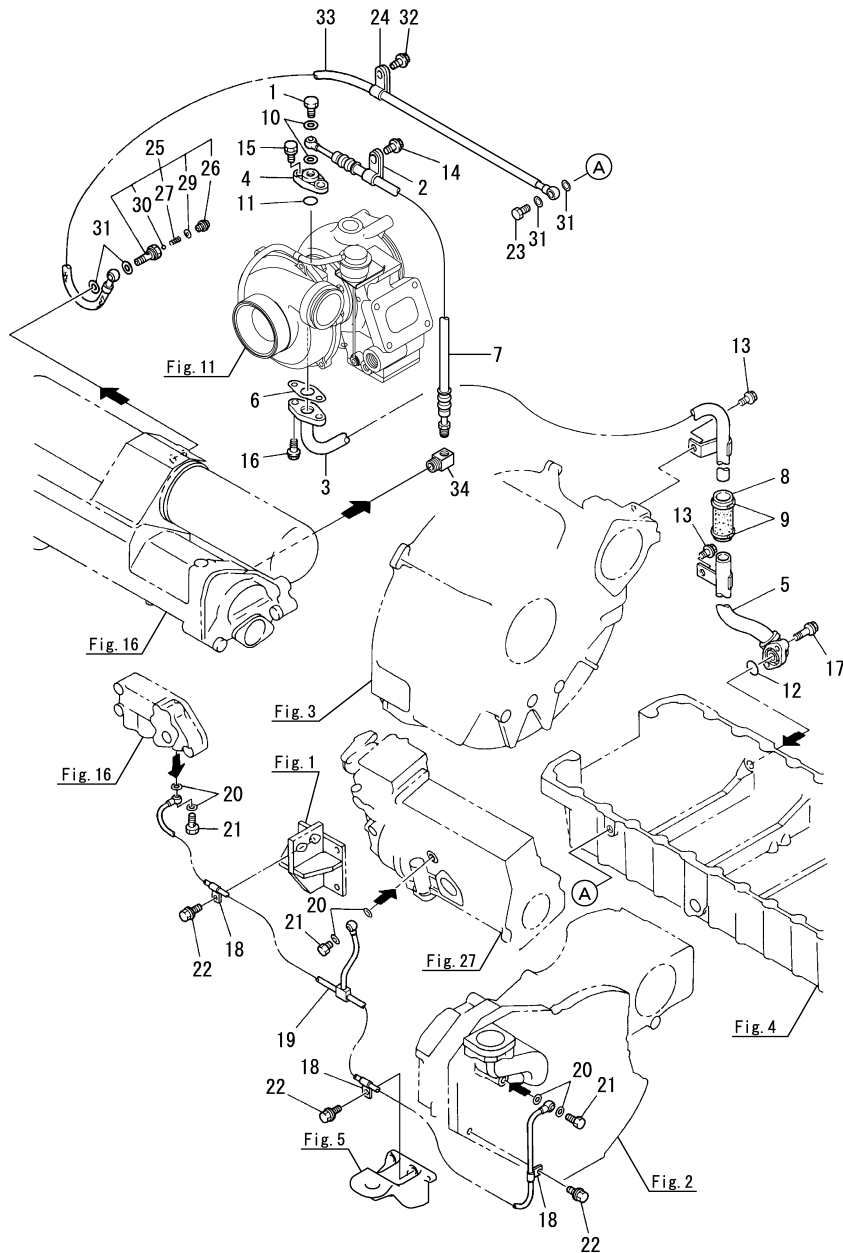


No.	Lev.	Parts No.	Description	Q'ty						I	R
				(A)	(B)	(C)	(D)	(E)	(F)		
1	1	124411-28400	PIN	2	2	2					
2	1	121950-28420	BOLT, M10X45	1	1	1					
3	1	119593-32001	PUMP ASSY, OIL	1	1	1					
4	1	119593-32500	GEAR ASSY, IDLE Z=29	1	1	1					
7	1	119593-32530	SHAFT, IDLE GEAR	1	1	1					
8	1	119593-32700	SHIM	2	2	2					
9	1	119593-32710	SHIM	2	2	2					
10	1	26106-100552	BOLT, M10X 55 PLATED	3	3	3					
11	1	119593-35191	PIPE ASSY, OIL INLET	1	1	1					
12	1	24311-000280	O-RING, 1AP28.0	1	1	1					
13	1	26013-080252	BOLT, M8X 25	2	2						
13-1	1	26013-080182	BOLT, M8X 18	2	2	2					N
(A=*2003.04.) (B=*2003.04.)											
14	1	26106-080162	BOLT, M8X 16 PLATED	2	2						
14-1	1	26106-080252	BOLT, M8X 25 PLATED	2	2	2					N
(A=*2003.04.) (B=*2003.04.)											
15	1	119574-39051	PIPE ASSY, OIL	1	1						
15-1	1	119574-39052	PIPE ASSY, LO	1	1	1					R
(A=*2012.05.) (B=E00917)											
17	1	119574-39111	PIPE ASSY, OIL	1	1	1					
18	1	119574-39152	PIPE ASSY, OIL	1	1	1					
19	1	119593-39150	PIPE ASSY, OIL	1	1						
19-1	1	119593-39151	PIPE ASSY, OIL	1	1	1					R
(A=*2004.08.) (B=*2004.08.)											
20	1	24311-000200	O-RING, 1AP20.0	1	1	1					
21	1	24311-000200	O-RING, 1AP20.0	1	1	1					
22	1	24314-000200	O-RING, 4CP20.0	1	1	1					
23	1	26106-080162	BOLT, M8X 16 PLATED	2	2						
23-1	1	26013-080182	BOLT, M8X 18	2	2	2					N
(A=*2003.04.) (B=*2003.04.)											
24	1	26106-080202	BOLT, M8X 20 PLATED	2	2	2					
25	1	26106-080222	BOLT, M8X 22 PLATED	2	2						
25-1	1	26106-080252	BOLT, M8X 25 PLATED	2	2	2					N
(A=*2003.04.) (B=*2003.04.)											
26	1	26106-080502	BOLT, M8X 50 PLATED	2	2	2					
27	1	119574-39120	RETAINER	1	1						
27-1	1	119595-39120	RETAINER, PIPE	1	1	1					R
(A=*2008.12.) (B=*2008.12.)											
28	1	26106-060122	BOLT, M6X 12 PLATED	1	1	1					
29	1	26106-080162	BOLT, M8X 16 PLATED	1	1	1					

Fig.18. LUB. OIL PIPE(TURBOCHARGER)

(A)=6LY2-STE  
(B)=6LY2A-STP  
(C)=6LY2A-UTP

(D)=  
(E)=  
(F)=

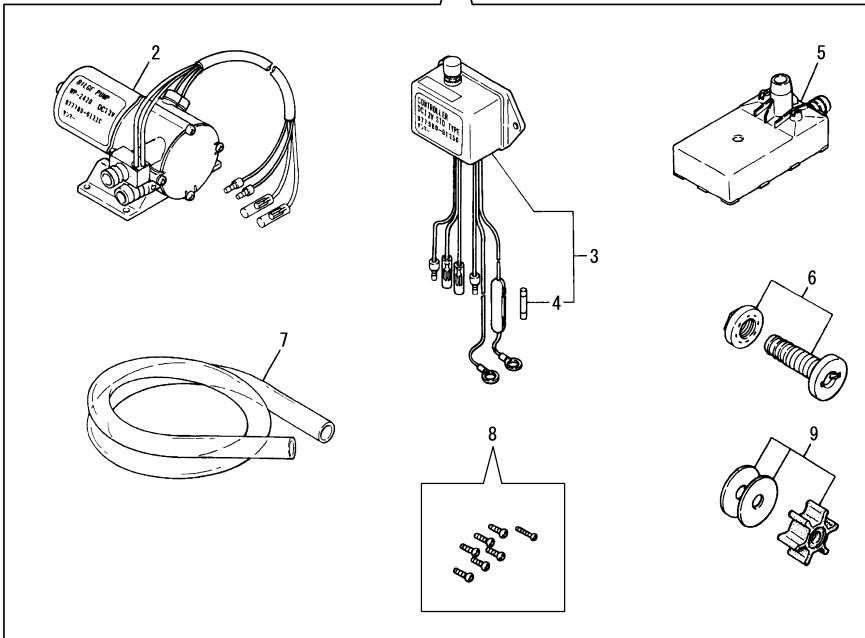
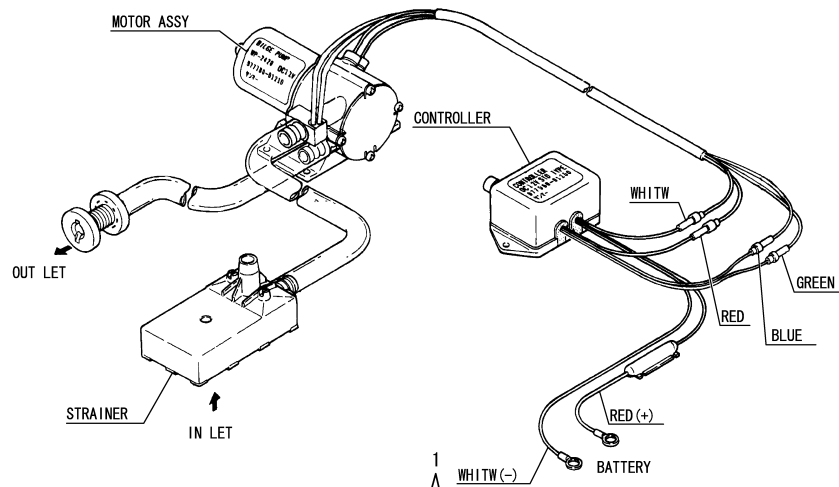


No.	Lev.	Parts No.	Description	Q'ty						I	R
				(A)	(B)	(C)	(D)	(E)	(F)		
1	1	124160-39140	BOLT, PIPE JOINT M10	1	1	1					
2	1	119593-39450	RETAINER, PIPE	1	1	1					
3	1	119574-39601	PIPE ASSY, OIL	1	1	1					
4	1	119593-39620	SPACER	1	1						
4-1	1	119593-39630	FLANGE, M10	1	1	1					R
				(A=*2010.05.)		(B=E00306)					
5	1	119574-39651	PIPE ASSY, OIL	1	1	1					
6	1	119593-39690	GASKET	1	1	1					
7	1	119595-39700	PIPE ASSY, OIL	1	1	1					
8	1	119574-39820	HOSE, RETURN	1	1						
8-1	1	123688-39820	JOINT	1	1	1					R
				(A=*2008.12.)		(B=*2008.12.)					
9	1	23000-028000	CLAMP, 28	2	2						
9-1	1	119172-48280	CLIP, HOSE 28	2	2	2					N
				(A=*2010.09.)		(B=*2010.09.)					
10	1	23414-100000	GASKET, 10X1.0	2	2	2					
11	1	24314-000200	O-RING, 4CP20.0	1	1	1					
12	1	24324-000250	O-RING, 4CG25.0	1	1	1					
13	1	26106-080162	BOLT, M8X 16 PLATED	2	2	2					
14	1	26106-080162	BOLT, M8X 16 PLATED	1	1	1					
15	1	26106-080202	BOLT, M8X 20 PLATED	2	2	2					
16	1	26106-080252	BOLT, M8X 25 PLATED	2	2	2					
17	1	26106-100222	BOLT, M10X 22 PLATED	2	2	2					
18	1	124450-39240	RETAINER, PIPE	3	3	3					
19	1	119593-39401	PIPE, OIL	1	1	1					
20	1	23414-080000	GASKET, 8X1.0	6	6	6					
21	1	23857-030000	BOLT, JOINT 3	3	3	3					
22	1	26106-080122	BOLT, M8X 12 PLATED	3	3	3					
23	1	124160-39140	BOLT, PIPE JOINT M10	1	1	1					
24	1	119593-39450	RETAINER, PIPE	1							
25	1	119187-39700	VALVE ASSY, CHECK	1	1	1					
26	2	127610-39350	RETAINER, SPRING	1	1	1					
27	2	127687-39360	SPRING	1	1	1					
29	2	23414-100014	GASKET, 10X1.0	1	1	1					
30	2	24190-070001	BALL, STEEL 7/32	1	1	1					
31	1	23414-100000	GASKET, 10X1.0	4	4	4					
32	1	26106-080162	BOLT, M8X 16 PLATED	1	1	1					
33	1	119588-39750	PIPE ASSY, OIL	1	1	1					
34	1	119574-39720	JOINT	1	1	1					





Fig.20. BILGE PUMP(STD,OPTIONAL)



(A)=6LY2-STE  
(B)=6LY2A-STP  
(C)=6LY2A-UTP

(D)=  
(E)=  
(F)=

No.	Lev.	Parts No.	Description	Q'ty						I	R
				(A)	(B)	(C)	(D)	(E)	(F)		
1	1	977780-01210	PUMP(12V),BILGE	1							
1-1	1	977780-01211	PUMP ASSY, BILGE	1						N	1
(A=*2004.04.)											
2	2	977780-01230	MOTOR ASSY(BILG PUMP	1							
3	2	977780-01250	CONTROLLER	1							
4	3	X8636008003	FUSE	1							
5	2	X179100021X	STRAINER	1							
6	2	X179100100X	PIPE ASSY	1							
7	2	X0044021509	HOSE A	1							
8	2	X199903800X	SCREW KIT	1							
9	2	977780-03000	INPELLER	1							

Remarks

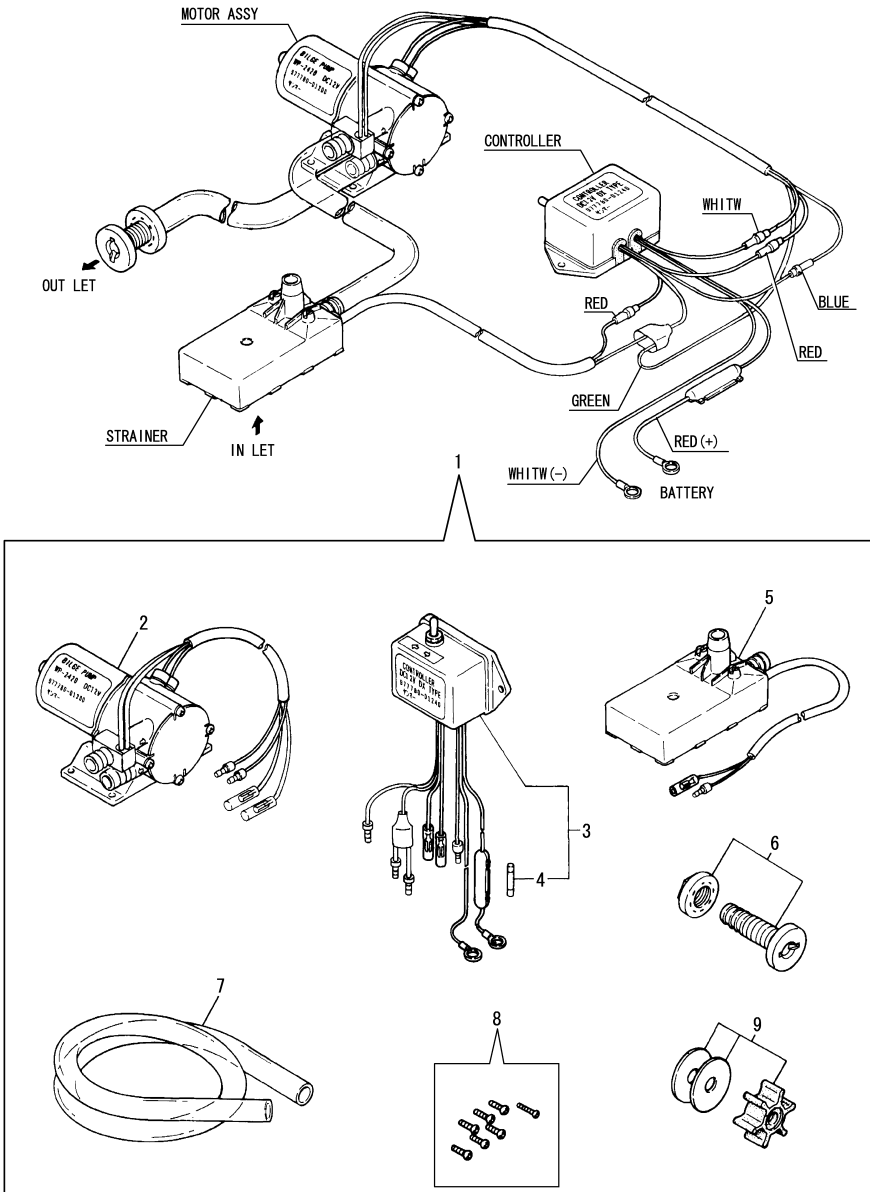
(1) Inner parts are shown in Fig.46.

Fig.21. BILGE PUMP(DX,OPTIONAL)

(A)=6LY2-STE  
(B)=6LY2A-STP  
(C)=6LY2A-UTP

(D)=  
(E)=  
(F)=

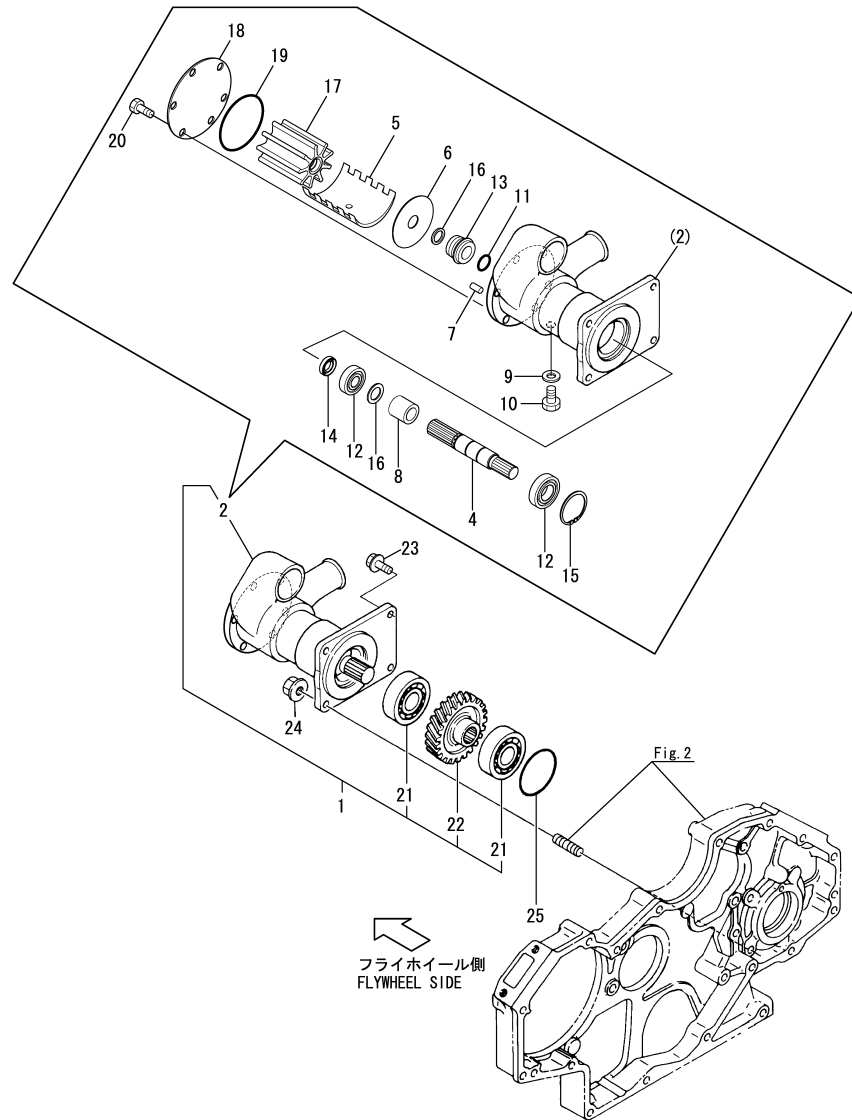
No.	Lev.	Parts No.	Description	Q'ty						I	R
				(A)	(B)	(C)	(D)	(E)	(F)		
1	1	977780-01200	PUMP(12V),BILGE	1							
1-1	1	977780-01211	PUMP ASSY, BILGE	1							N 1
(A=*2004.04.)											
2	2	977780-01230	MOTOR ASSY(BILG PUMP	1							
3	2	977780-01240	CONTROLLER	1							
4	3	X8636008003	FUSE	1							
5	2	X179100011X	STRAINER	1							
6	2	X179100100X	PIPE ASSY	1							
7	2	X0044021509	HOSE A	1							
8	2	X199903800X	SCREW KIT	1							
9	2	977780-03000	INPELLER	1							



Remarks

(1) Inner parts are shown in Fig.46.

Fig.22. COOLING SEA WATER PUMP



(A)=6LY2-STE  
(B)=6LY2A-STP  
(C)=6LY2A-UTP

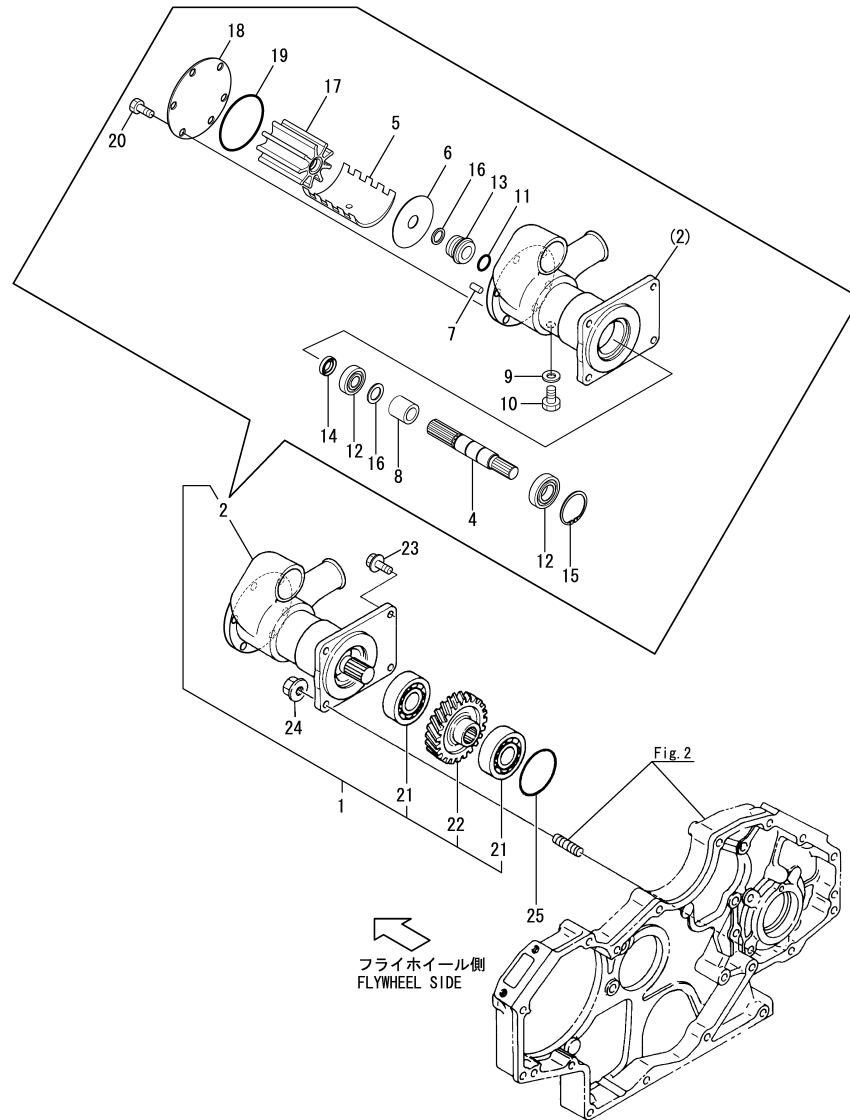
(D)=  
(E)=  
(F)=

No.	Lev.	Parts No.	Description	Q'ty						I	R
				(A)	(B)	(C)	(D)	(E)	(F)		
1	1	719574-42700	PUMP ASSY, WATER	1	1	1					
2	2	119574-42500	PUMP ASSY, WATER	1	1						
2-1	2	119574-42501	PUMP ASSY, WATER	1	1						N
2-2	2	(A=*2006.10.) (B=*2006.10.)	PUMP ASSY, WATER	1	1	1					R
		(A=*2007.08.) (B=*2007.08.)									
4	3	X0135771	SHAFT, WATER PUMP	1	1	1					
5	3	119578-42610	CAM, WATER PUMP	1	1	1					W
6	3	(A=*2010.09.) (B=E/#00204)	PLATE, WEAR	1	1	1					W
		(A=*2010.09.) (B=E/#00204)									
7	3	119578-42630	PIN, POSITIONING	1	1	1					W
8	3	(A=*2010.09.) (B=E/#00204)	SPACER, BEARING	1	1	1					W
		(A=*2010.09.) (B=E/#00204)									
9	3	119578-42700	WASHER	1	1	1					W
10	3	(A=*2010.09.) (B=E/#00204)	SCREW, CAM	1	1	1					W
		(A=*2010.09.) (B=E/#00204)									
11	3	119578-42640	O-RING	1	1	1					W
12	3	(A=*2010.09.) (B=E/#00204)	BEARING, BALL	2	2	2					W
		(A=*2010.09.) (B=E/#00204)									
13	3	119578-42600	SEAL, MECHANICAL	1	1	1					W
14	3	(A=*2010.09.) (B=E/#00204)	SEAL, LIP	1	1	1					W
		(A=*2010.09.) (B=E/#00204)									
15	3	119578-42680	RETAINER, BEARING	1	1	1					W
16	3	(A=*2010.09.) (B=E/#00204)	RETAINER, SEAL	2	2	2					W
		(A=*2010.09.) (B=E/#00204)									
17	3	119574-42550	IMPELLER	1	1						
17-1	3	119574-42551	IMPELLER	1	1						N
17-2	3	(A=*2006.10.) (B=*2006.10.)	IMPELLER, PUMP	1	1	1					R
		(A=*2007.08.) (B=*2007.08.)									
18	3	119574-42560	COVER, END	1	1	1					
19	3	119574-42570	O-RING	1	1	1					
20	3	119175-42620	SCREW, END COVER	6	6						W
20-1	3	(A=E/#40585) (B=*1999.09.)	SCREW, END COVER	6	6	6					N
		(A=*2006.10.) (B=*2006.10.)									
21	2	24101-060064	BEARING, BALL 6006	2	2	2					
22	2	119100-26200	GEAR, PUMP	1	1	1					
22A	2	119574-42510	WEAR KIT	1	1	1					W 1
22B	2	(A=*2017.01) (B=*2017.01) (C=*2017.01)	SHAFT KIT	1	1	1					W 2
		(A=*2017.01) (B=*2017.01) (C=*2017.01)									
22C	2	119574-42530	IMPELLER KIT	1	1	1					W 3
23	1	(A=*2017.01) (B=*2017.01) (C=*2017.01)	BOLT, M8X 20 PLATED	2	2	2					
		(A=*2017.01) (B=*2017.01) (C=*2017.01)									

Remarks

- (1)Not illustrated(Include No.4, 5, 6, 8, 9, 10, 12, 15, 18, 19).
- (2)Not illustrated(Include No.3, 7, 10, 11, 12, 14, 15).
- (3)Not illustrated(Include No.16, 19, 20).

Fig.22. COOLING SEA WATER PUMP



(A)=6LY2-STE  
(B)=6LY2A-STP  
(C)=6LY2A-UTP

(D)=  
(E)=  
(F)=

No.	Lev.	Parts No.	Description	Q'ty						I	R
				(A)	(B)	(C)	(D)	(E)	(F)		
24	1	26366-080002	NUT, M8	2	2						
24-1	1	26306-080002	NUT, M8	2	2	2					N
		(A=E/#50655) (B=#2001.03.)									
25	1	24341-000800	O-RING, 1AS80.0	1	1	1					

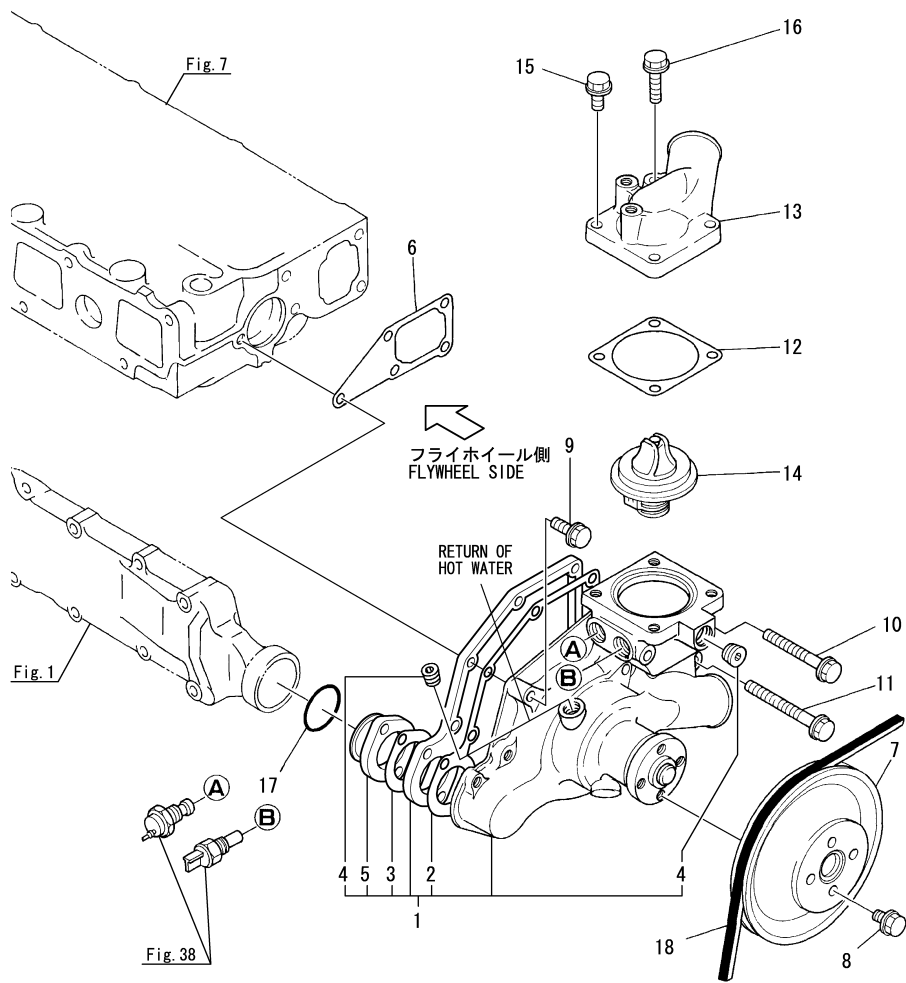
Remarks

- (1)Not illustrated(Include No.4, 5, 6, 8, 9, 10, 12, 15, 18, 19).
- (2)Not illustrated(Include No.3, 7, 10, 11, 12, 14, 15).
- (3)Not illustrated(Include No.16, 19, 20).

Fig.23. COOLING FRESH WATER PUMP

(A)=6LY2-STE  
(B)=6LY2A-STP  
(C)=6LY2A-UTP

(D)=  
(E)=  
(F)=

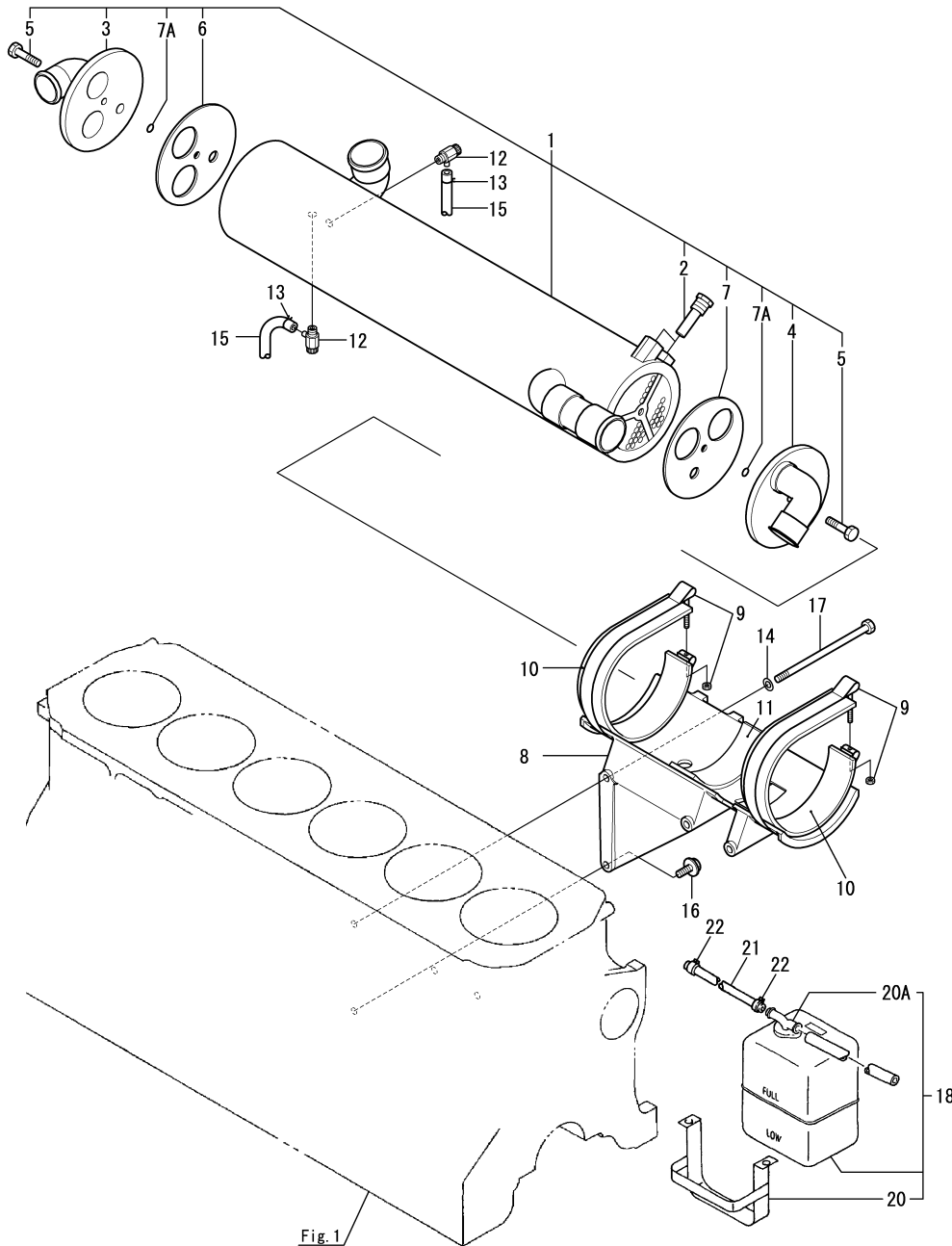


No.	Lev.	Parts No.	Description	Q'ty						I	R
				(A)	(B)	(C)	(D)	(E)	(F)		
1	1	119593-42010	PUMP ASSY, WATER	1	1	1					
2	2	XKWPY642021	GASKET	1	1	1					
3	2	119593-42130	GASKET	1	1						
3-1	2	119578-42130	GASKET	1	1	1					R
		(A=*2005.11.) (B=*2005.11.)									
4	2	23871-030000	PLUG, R03	2	2	2					
5	2	119593-42120	FLANGE	1	1	1					
6	1	119593-42021	GASKET, WATER PUMP	1	1	1					
7	1	119593-42300	V-PULLEY	1	1	1					
8	1	26106-080182	BOLT, M8X 18 PLATED	4	4	4					
9	1	26106-080302	BOLT, M8X 30 PLATED	1	1	1					
10	1	26106-080802	BOLT, M8X 80 PLATED	2	2	2					
11	1	26106-080952	BOLT, M8X 95 PLATED	2	2	2					
12	1	119593-49291	GASKET, THERMOSTAT	1	1	1					
13	1	119593-49530	COVER, THERMOSTAT	1	1	1					
14	1	127605-48590	THERMOSTAT, 71	1	1	1					
15	1	26106-080252	BOLT, M8X 25 PLATED	3	3	3					
16	1	26106-080452	BOLT, M8X 45 PLATED	1	1	1					
17	1	24321-000450	O-RING, 1AG45.0	1	1	1					
18	1	119593-42280	V-BELT, A53	1	1	1					

Fig.24. COOLER(FRESH WATER)

(A)=6LY2-STE  
(B)=6LY2A-STP  
(C)=6LY2A-UTP

(D)=  
(E)=  
(F)=

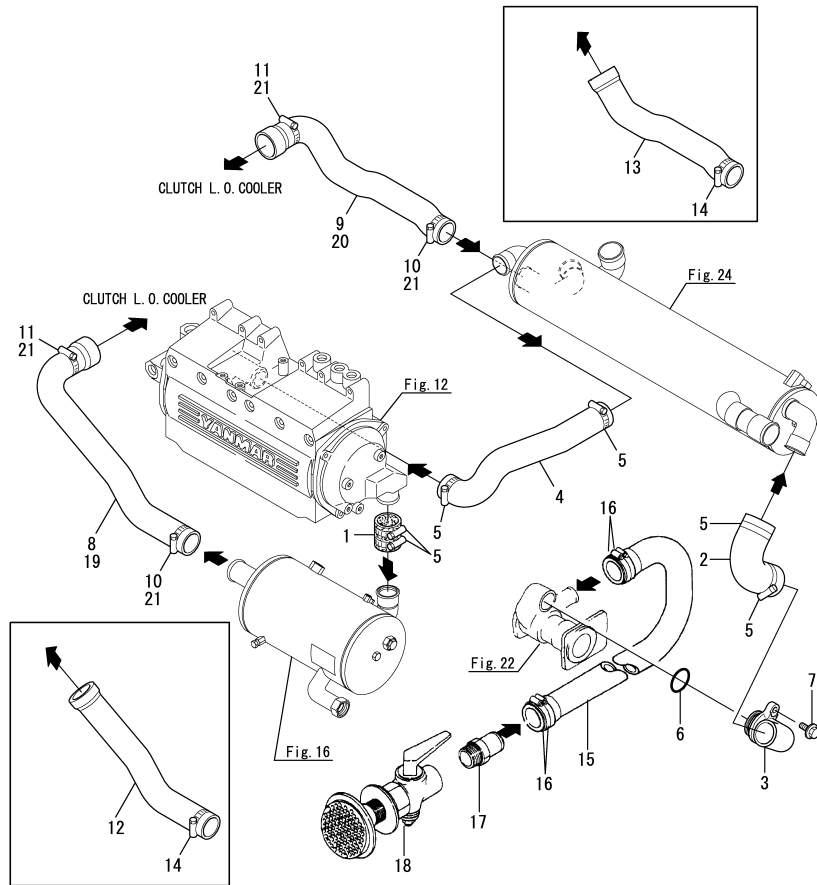


No.	Lev.	Parts No.	Description	Q'ty						I	R
				(A)	(B)	(C)	(D)	(E)	(F)		
1	1	119574-44011	COOLER ASSY, WATER	1	1						
1-1	1	119575-44010	COOLER ASSY, WATER	1	1	1					R
		(A=*2001.12.) (B=E00062)									
2	2	119574-44150	ZINC, ANTI-CORROSIVE	2	2	2					
3	2	119574-44200	COVER ASSY	1	1	1					
4	2	119574-44190	COVER ASSY	1	1	1					
5	2	119574-44180	BOLT, UNC 3/8	2	2	2					
6	2	119574-44170	GASKET	1	1	1					
7	2	119574-44170	GASKET	1	1	1					
7A	2	119175-33350	O-RING	2	2	2					
8	1	119574-44050	BRACKET	1	1						
8-1	1	119595-44050	BRACKET, COOLER	1	1	1					R
		(A=*2008.12.) (B=*2008.12.)									
9	1	119574-44600	CLAMP, BOLT	2	2	2					
10	1	119574-44621	SEAT, RUBBER	2	2	2					
11	1	119574-44630	SEAT, RUBBER	1	1	1					
12	1	119620-49290	COCK ASSY, 1/4	2	2	2					
13	1	124460-77680	RETAINER	2	2	2					
14	1	22137-080000	WASHER, 8	3	3	3					
15	1	23061-070400	PIPE, 7X 400	2	2	2					
16	1	26106-080202	BOLT, M8X 20 PLATED	1	1	1					
17	1	26116-081502	BOLT, M8X150 PLATED	3	3	3					
18	1	720445-44201	TANK ASSY, SUB 3.4L	1	1	1					
20	2	119593-44560	BRACKET, SUB TANK	1	1	1					
20A	2	X0225002201	CONDUCTION ASSY	1	1	1					
21	1	124790-44560	PIPE, WATER L=1000	1	1	1					
22	1	23010-013000	CLAMP 13	2	2	2					

Fig.25. COOLING SEA WATER PIPE

(A)=6LY2-STE  
(B)=6LY2A-STP  
(C)=6LY2A-UTP

(D)=  
(E)=  
(F)=



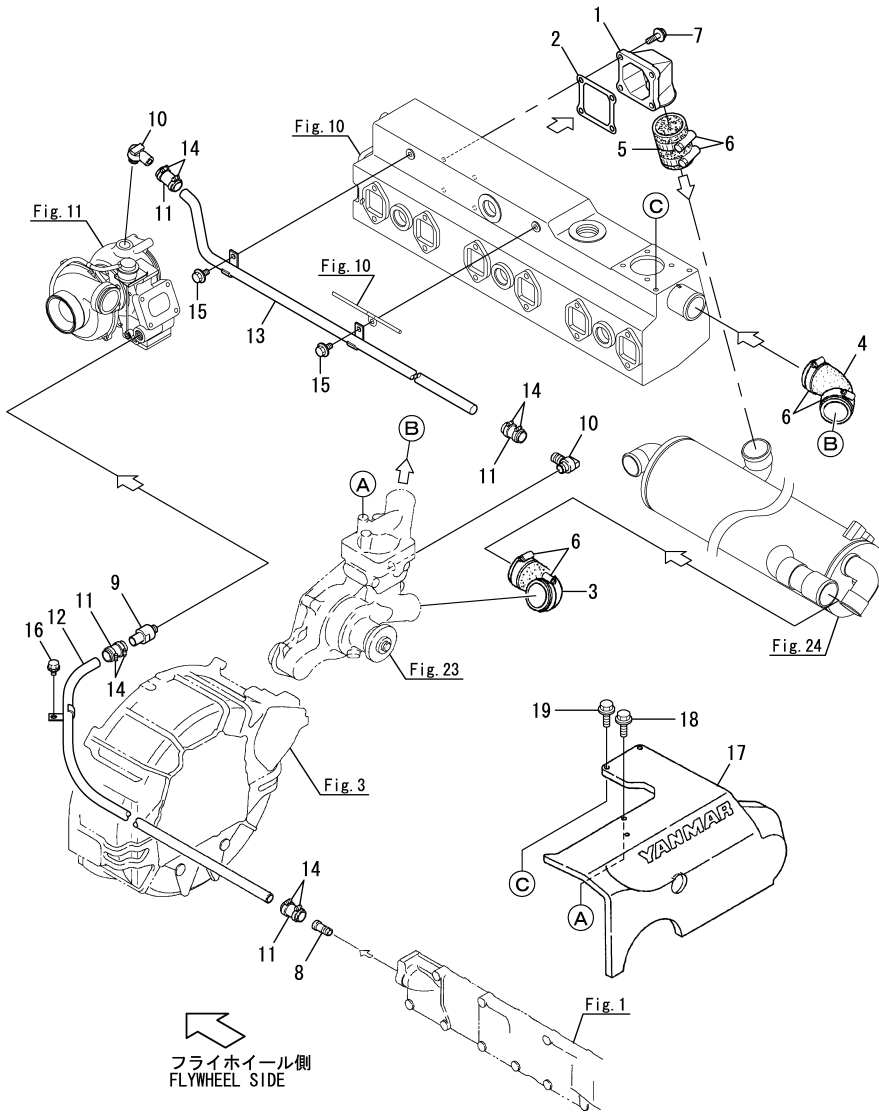
No.	Lev.	Parts No.	Description	Q'ty						I	R
				(A)	(B)	(C)	(D)	(E)	(F)		
1	1	119574-49050	HOSE, RUBBER	1	1	1					
2	1	119574-49061	HOSE, RUBBER	1	1						
2-1	1	119595-49060	HOSE, COOLER	1	1	1					R
		(A=*2008.12.) (B=*2008.12.)									
3	1	119574-49070	BEND	1	1						
3-1	1	119595-49070	BEND	1	1	1					R
		(A=*2008.12.) (B=*2008.12.)									
4	1	119574-49080	HOSE	1	1						
4-1	1	119595-49080	HOSE, COOLER	1	1	1					R
		(A=*2008.12.) (B=*2008.12.)									
5	1	23000-054000	CLAMP, 54	6	6						
5-1	1	119172-48480	CLAMP, HOSE 48	6	6	6					N
		(A=*2002.02.) (B=E00062)									
6	1	24321-000350	O-RING, 1AG35.0	1	1	1					
7	1	26106-080202	BOLT, M8X 20 PLATED	1	1	1					
8	1	119574-49700	HOSE, CLUTCH	1	1	1					3
9	1	119574-49711	HOSE, CLUTCH	1	1	1					3
10	1	23000-054000	CLAMP, 54	2	2						3
10-1	1	119172-48480	CLAMP, HOSE 48	2	2	2					N 3
		(A=*2002.02.) (B=E00062)									
11	1	23000-060000	CLAMP, 60	2	2						3
11-1	1	119172-48540	CLIP, HOSE 54	2	2	2					N 3
		(A=*2002.02.) (B=E00062)									
12	1	119575-49720	HOSE, CLUTCH	1	1	1					2
13	1	119575-49730	HOSE, CLUTCH	1	1	1					2
14	1	23000-054000	CLAMP, 54	2	2						2
14-1	1	119172-48480	CLAMP, HOSE 48	2	2	2					N 2
		(A=*2002.02.) (B=E00062)									
15	1	127610-49010	PIPE, WATER	1	1	1					1
16	1	23000-054000	CLAMP, 54	4	4						1
16-1	1	119172-48540	CLIP, HOSE 54	4	4	4					N 1
		(A=*2002.02.) (B=E00062)									
17	1	43530-500610	JOINT, PIPE 30A	1	1	1					1
18	1	43662-030030	COCK ASSY, KINGSTON	1	1						1
18-1	1	43662-030031	COCK ASSY, KINGSTON	1	1	1					R 1
		(A=*2006.12.) (B=E00505)									
19	1	119575-49800	HOSE, CLUTCH	1	1						W 4
		(B=E00062)									
20	1	119575-49810	HOSE, CLUTCH	1	1						W 4
		(B=E00062)									
21	1	119172-48480	CLAMP, HOSE 48	4	4						W 4
		(B=E00062)									

Remarks

- (1)Optional parts.
- (2)For MG5061A.
- (3)For KMH6A.
- (4)For KMH60A.



Fig.26. COOLING FRESH WATER PIPE



(A)=6LY2-STE  
(B)=6LY2A-STP  
(C)=6LY2A-UTP

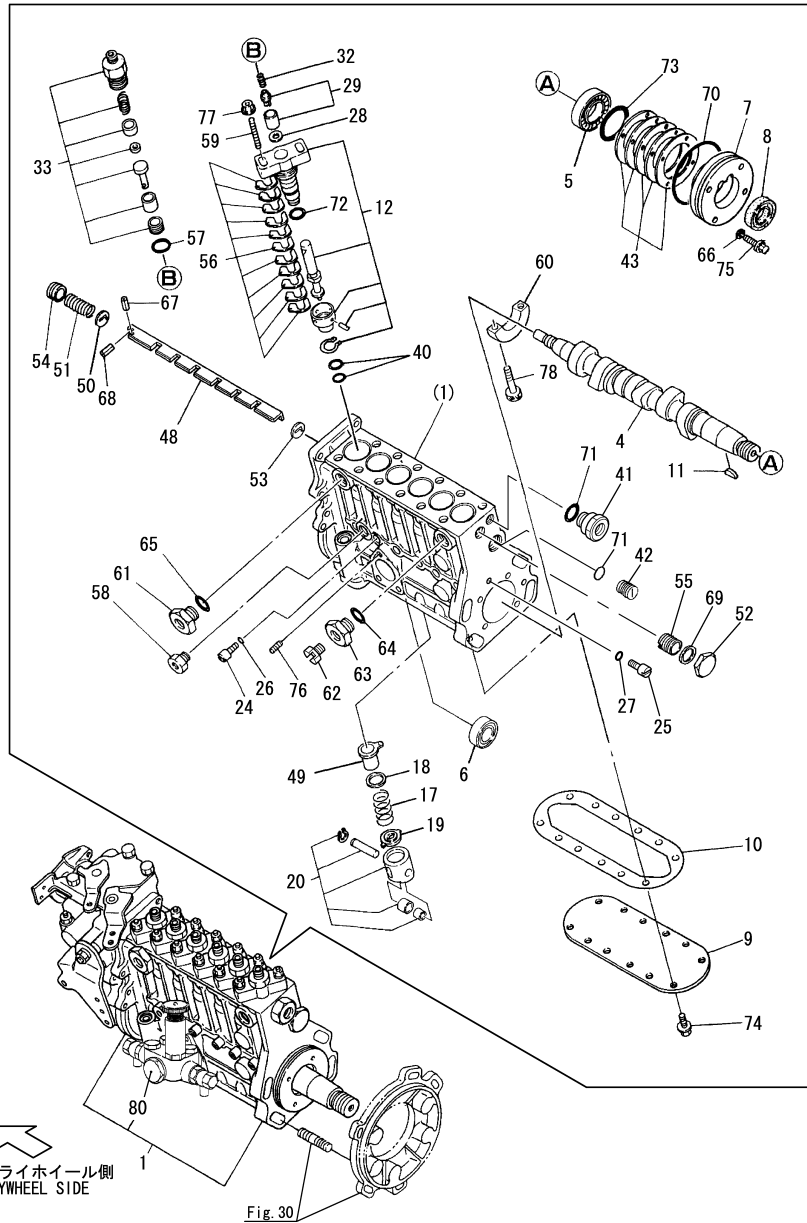
(D)=  
(E)=  
(F)=

No.	Lev.	Parts No.	Description	Q'ty						I	R
				(A)	(B)	(C)	(D)	(E)	(F)		
1	1	119574-49150	BEND	1	1	1					
2	1	119574-49160	GASKET	1	1	1					
3	1	119574-49231	HOSE, RUBBER	1	1	1					
4	1	119574-49250	HOSE, RUBBER	1	1						
4-1	1	119593-49250	JOINT, RUBBER 45	1	1	1					R
		(A=*2011.02.) (B=E00348)									
5	1	119574-49270	HOSE, RUBBER	1	1	1					
6	1	23000-060000	CLAMP, 60	6	6						
6-1	1	119172-48540	CLIP, HOSE 54	6	6	6					R
		(A=*2008.12.) (B=*2008.12.)									
7	1	26106-080252	BOLT, M8X 25 PLATED	4	4	4					
8	1	123325-49220	JOINT, PIPE	1	1						
8-1	1	120130-49220	JOINT, PIPE	1	1	1					N
		(A=*2003.08.) (B=*2003.08.)									
9	1	119574-49321	JOINT	1	1	1					
10	1	119593-49320	JOINT	2	2	2					
11	1	119574-49300	HOSE	4	4						
11-1	1	119593-49360	HOSE, RUBBER	4	4	4					R
		(A=*2008.12.) (B=*2008.12.)									
12	1	119574-49400	PIPE, WATER	1	1	1					
13	1	119574-49420	PIPE, WATER	1	1	1					
14	1	23000-028000	CLAMP, 28	8	8						
14-1	1	119172-48280	CLIP, HOSE 28	8	8	8					N
		(A=*2002.02.) (B=E00062)									
15	1	26106-080162	BOLT, M8X 16 PLATED	2	2	2					
16	1	26106-080162	BOLT, M8X 16 PLATED	1	1	1					
17	1	119593-77460	COVER	1	1						
17-1	1	119593-77461	COVER, FRONT	1	1	1					N
		(A=*2012.07.) (B=E00801)									
18	1	26106-080252	BOLT, M8X 25 PLATED	2	2	2					
19	1	26106-080302	BOLT, M8X 30 PLATED	2	2	2					

Fig.27. FUEL INJECTION PUMP

(A)=6LY2-STE  
(B)=6LY2A-STP  
(C)=6LY2A-UTP

(D)=  
(E)=  
(F)=



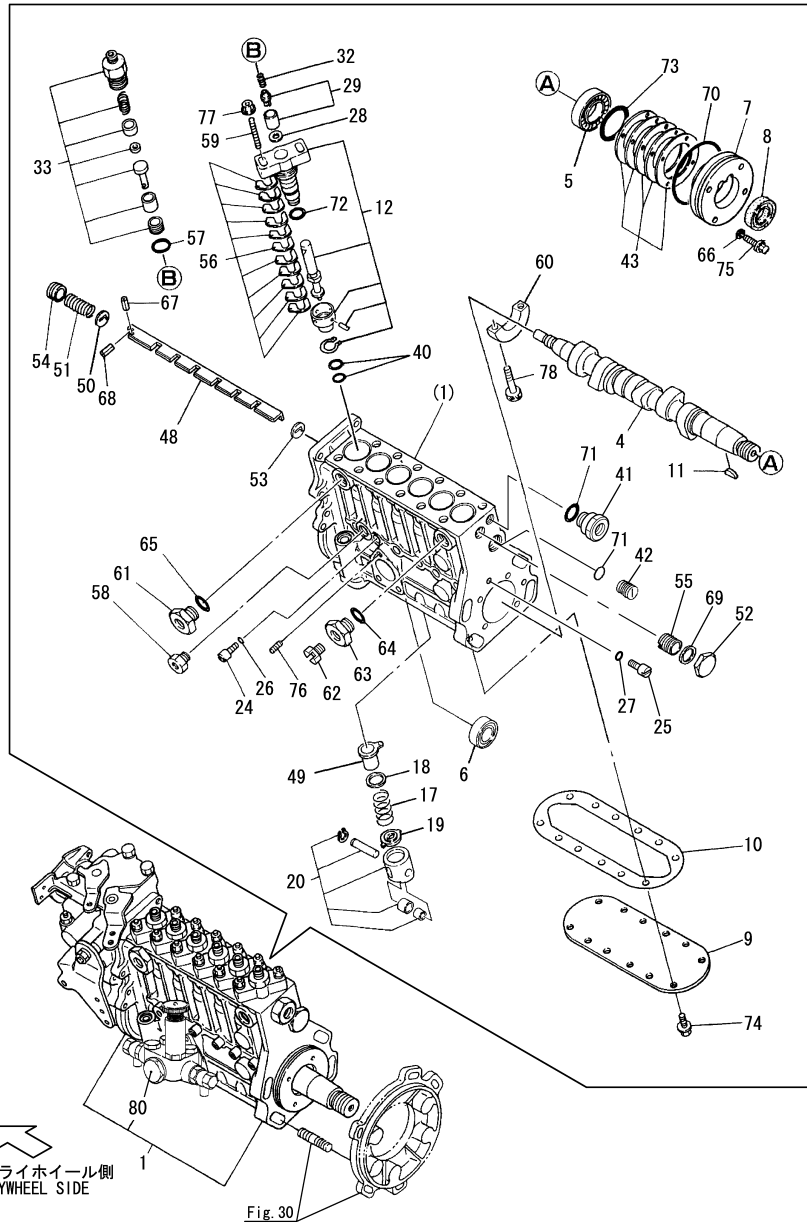
No.	Lev.	Parts No.	Description	Q'ty						I	R
				(A)	(B)	(C)	(D)	(E)	(F)		
1	1	719575-51300	PUMP ASSY, INJECTION	1	1						
1A	1	719575-51310	FIE ASSY, 5Z20			1					1
4	3	119595-51030	CAMSHAFT	1	1	1					
5	3	119595-51050	BEARING	1	1	1					
6	3	124410-51050	BEARING	1	1	1					
7	3	119595-51060	RETAINER, BEARING A	1	1	1					
8	3	119595-51070	SEAL, OIL	1	1	1					
9	3	119593-51080	COVER	1	1	1					
10	3	119593-51090	GASKET	1	1	1					
11	3	144626-51090	KEY, 5X19	1	1	1					
12	3	119595-51100	PLUNGER ASSY	6	6	6					
17	3	119000-51161	SPRING, PLUNGER	6	6	6					
18	3	119000-51170	SEAT, SPRING A	6	6	6					
19	3	119000-51181	SEAT, SPRING B	6	6	6					
20	3	119595-51200	TAPPET ASSY	6	6						
20-1	3	119578-51201	TAPPET ASSY	6	6	6					R
		(A=*2006.06.) (B=*2006.06.)									
24	3	129155-51270	STOPPER, TAPPET	6	6						
24-1	3	158600-51270	STOPPER, TAPPET	6	6	6					R
		(A=*2009.09.) (B=*2009.09.)									
25	3	129155-51270	STOPPER, TAPPET	2	2						
25-1	3	119578-51400	PLUG 8	1	1	1					S
		(A=*2007.09.) (B=*2007.09.)									
26	3	129155-51280	O-RING, S6	6	6	6					
27	3	129155-51280	O-RING, S6	2	2						
27-1	3	24311-000090	O-RING, 1AP9.0	1	1	1					S
		(A=*2007.09.) (B=*2007.09.)									
28	3	119594-51290	GASKET	6	6	6					
29	3	119595-51300	VALVE ASSY, DELIVERY	6	6	6					
32	3	119595-51330	SPRING, DELIVERY	6	6	6					
33	3	119595-51341	VALVE ASSY, DELIVERY	6	6	6					
40	3	119000-51410	O-RING, S18	12	12						
40-1	3	119000-51411	O-RING	12	12	12					N
		(A=*2005.11.) (B=*2005.11.)									
41	3	119595-51410	BUSH	1	1	1					
42	3	129155-51410	BOLT	1	1						
42-1	3	158600-51410	PLUG, DEFLECTOR	1	1	1					R
		(A=*2006.10.) (B=*2006.10.)									
43	3	119594-51451	SHIM SET, CAMSHAFT	1	1	1					
48	3	119593-51500	RACK, CONTROL	1	1	1					
49	3	119000-51511	SLEEVE, CONTROL	6	6	6					
50	3	119593-51520	WASHER	1	1	1					
51	3	119593-51530	SPRING, RACK	1	1	1					
52	3	119000-51550	COVER	1	1	1					
53	3	119000-51570	GUIDE, RACK	2	2	2					
54	3	119000-51580	SCREW	1	1	1					
55	3	119000-51590	SCREW	1	1	1					
56	3	119000-51650	SHIM SET, ADJUSTING	12	12	12					
57	3	144626-51680	O-RING	6	6						
57-1	3	24356-190180	O-RING, 4D19018	6	6						N
		(A=*2005.11.) (B=*2005.11.)									

Remarks  
(1)Governor assy(Fig.28) and fuel feed pump assy(Fig.29) is incorporated in this fuel injection pump assy.(No.1)

Fig.27. FUEL INJECTION PUMP

(A)=6LY2-STE  
(B)=6LY2A-STP  
(C)=6LY2A-UTP

(D)=  
(E)=  
(F)=



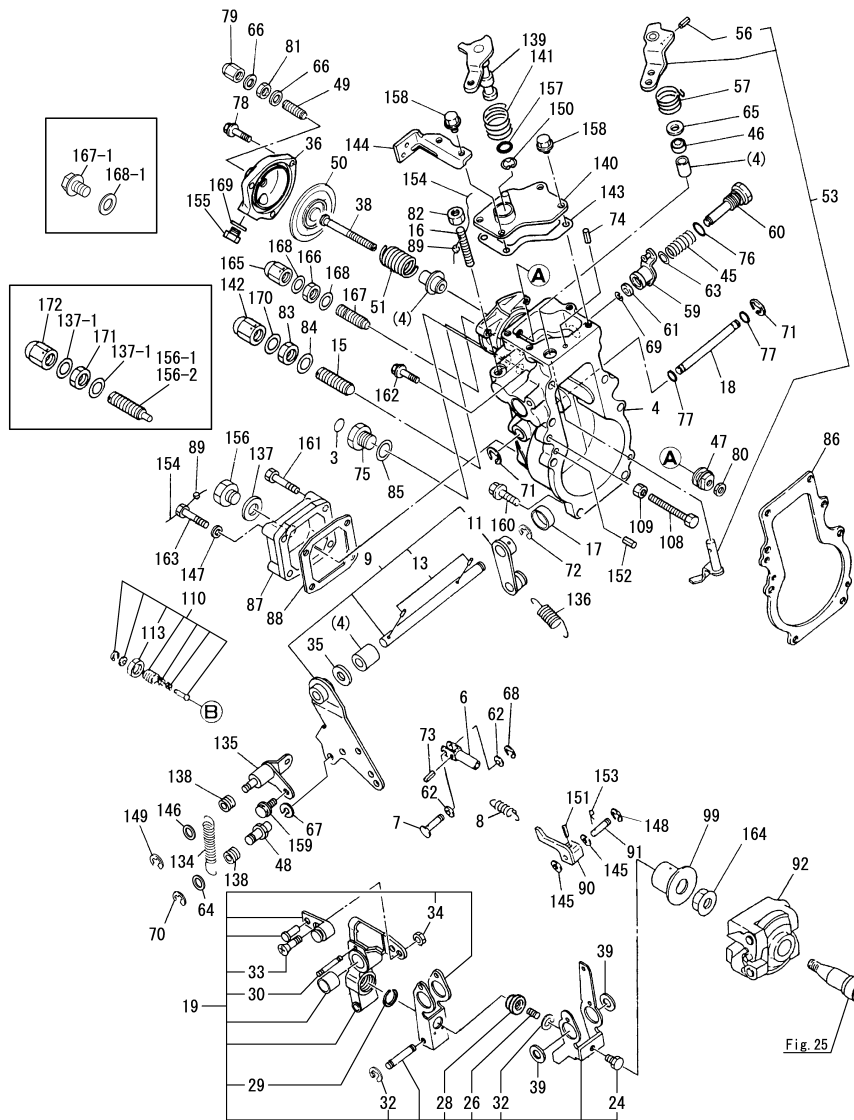
No.	Lev.	Parts No.	Description	Q'ty						I	R
				(A)	(B)	(C)	(D)	(E)	(F)		
57-2	3	24356-190170 (A=*2013.02.) (B=*2013.02.)	PACKING, 19017	6	6	6					N
58	3	121850-51700	BUSH	1	1	1					
59	3	119000-51800	BOLT	12	12	12					
60	3	119594-51850	BEARING	1	1	1					
61	3	121952-51900	PLUG	1	1	1					
62	3	122780-51900	BOLT	1	1	1					
63	3	121950-51910	PLUG	1	1	1					
64	3	180110-51910	GASKET, PLUG	1	1	1					
65	3	144626-51950	O-RING, 1016	2	2						
65-1	3	24356-190160 (A=*2005.11.) (B=*2005.11.)	O-RING, 4D19016	2	2	2					N
66	3	22190-060003	SEAL WASER 6	4	4	4					
67	3	22351-020008	PIN, SPRING 2.0X 8	1	1	1					
68	3	22351-020012	PIN, SPRING 2.0X12	1	1	1					
69	3	23414-220029	GASKET, 22X1.0	1	1	1					
70	3	24321-000800	O-RING, 1AG80.0	1	1	1					
71	3	24341-000160	O-RING, 1AS16.0	2	2						
71-1	3	119717-51420 (A=*2005.11.) (B=*2005.11.)	O-RING	2	2	2					N
72	3	24341-000260	O-RING, 1AS26.0	6	6						
72-1	3	158563-51662 (A=*2005.11.) (B=*2005.11.)	O-RING, 4D S26	6	6	6					N
73	3	24341-000560	O-RING, 1AS56.0	1	1	1					
74	3	26106-060142	BOLT, M6X 14 PLATED	12	12	12					
75	3	119594-51070	BOLT, M6X30	4	4	4					
76	3	26216-060162	STUD, M6X 16	3	3						
76-1	3	129155-51020 (A=*2011.11.) (B=*2011.11.)	STUD	3	3	3					N
77	3	26366-080002	NUT, M8	12	12	12					
78	3	26450-060402	BOLT, M6X 40	2	2	2					
80	2	127691-52010	PUMP, FUEL FEED	1	1	1					

Remarks  
(1)Governor assy(Fig.28) and fuel feed pump assy(Fig.29) is incorporated in this fuel injection pump assy.(No.1)

Fig.28. GOVERNOR

(A)=6LY2-STE  
(B)=6LY2A-STP  
(C)=6LY2A-UTP

(D)=  
(E)=  
(F)=



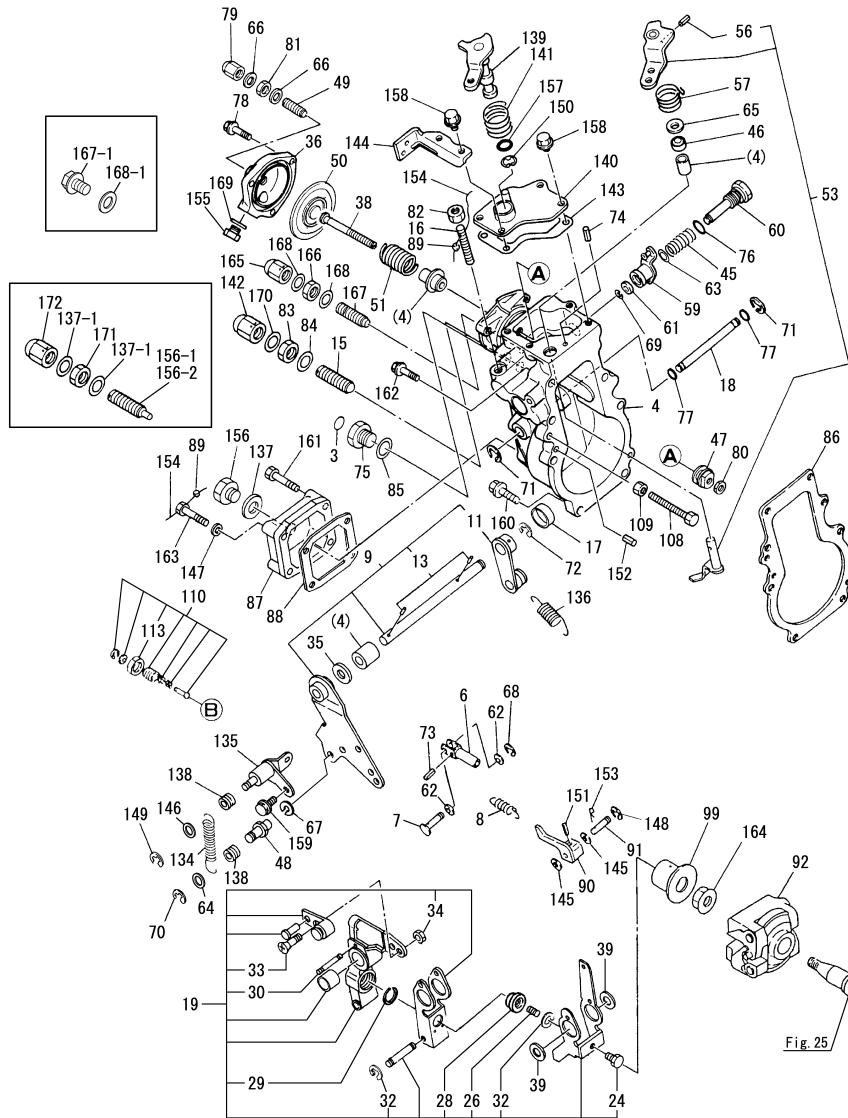
No.	Lev.	Parts No.	Description	Q'ty						I	R
				(A)	(B)	(C)	(D)	(E)	(F)		
3	3	124610-51970	LABEL, OIL FEED	1	1	1					
4	3	119573-61010	CASE, GOVERNOR	1	1						
4-1	3	119573-61030	CASE, GOVERNOR	1	1	1					R
6	3	119000-61120	LINK, LEVER	1	1	1					
7	3	119595-61170	PIN, LINK	1	1	1					
8	3	119187-61190	SPRING, LINK	1	1	1					
9	3	119173-61400	LEVER ASSY, CONTROL	1	1	1					
11	4	120323-61420	LEVER, SPRING	1	1	1					
13	4	22322-030220	PIN, TAPER 3X22	2	2	2					
15	3	127695-61450	BOLT, FUEL CONTROL	1	1	1					
16	3	121850-61470	BOLT, LIMITER	1	1	1					
17	3	129795-61470	PLUG, 20	1	1	1					
18	3	119000-61490	SHAFT,GOVERNOR LEVER	1	1	1					
19	3	119594-61500	LEVER ASSY, GOVERNOR	1	1	1					
24	4	127495-61540	SHIFTER	1	1	1					
26	4	119594-61600	SPRING, FUEL CONTROL	1	1	1					
28	4	119187-61911	RETAINER, SPRING	1	1	1					
29	4	119187-61920	CIRCLIP	1	1	1					
30	4	119187-61930	PIN, LEVER	1	1	1					
32	4	22272-000040	RING, E- 4	5	5	5					
33	4	26577-060162	SCREW, M6X16	1	1	1					
34	4	26757-060002	NUT, LOCK M6	1	1						
34-1	4	26716-060002	NUT, M6	1	1	1					R
35	3	120320-61540	SEAL, OIL SC102004	1	1	1					
36	3	129595-61600	CASE, DIAPHRAGM	1	1	1					
38	3	129595-61620	ROD, SLIDER	1	1	1					
39	3	119000-61630	SHIM SET	1	1	1					
45	3	119593-61650	SPRING, LEVER RETURN	1	1	1					
46	3	148616-61650	SEAL, OIL VC081404	1	1	1					
47	3	127495-61660	RING, ADJUSTER	1	1	1					
48	3	121850-61670	BOLT, SPRING B	1	1	1					
49	3	129595-61670	BOLT, ADJUSTER	1	1						
49-1	3	129595-61671	BOLT, ADJUSTER	1	1	1					N
50	3	129595-61680	DIAPHRAGM	1	1						
50-1	3	129595-61681	DIAPHRAGM ASSY	1	1	1					N
51	3	119593-61760	SPRING, DIAPHRAGM	1	1	1					
53	3	119593-61800	LEVER ASSY, STOP	1	1	1					
56	4	22351-030016	PIN, SPRING 3.0X16	1	1	1					
57	3	119593-61830	SPRING, RETURN	1	1	1					
59	3	119594-61850	LEVER, BOOSTER SET	1	1	1					
60	3	119593-61860	SHAFT, SET LEVER	1	1	1					
61	3	119593-61890	SPACER	1	1	1					
62	3	22117-050000	WASHER, 5	2	2	2					
63	3	22117-080000	WASHER, 8	1	1	1					
64	3	22117-080000	WASHER, 8	1	1	1					
65	3	22137-080000	WASHER, 8	1	1	1					
66	3	22190-080000	WASHER, SEAL 8	2	2						

Remarks  
 (1)Pitch 51  
 (2)Pitch 52  
 (3)Pitch 53  
 (4)Pitch 51.5  
 (5)Pitch 52.5  
 (6)Pitch 53.5

Fig.28. GOVERNOR

(A)=6LY2-STE  
(B)=6LY2A-STP  
(C)=6LY2A-UTP

(D)=  
(E)=  
(F)=



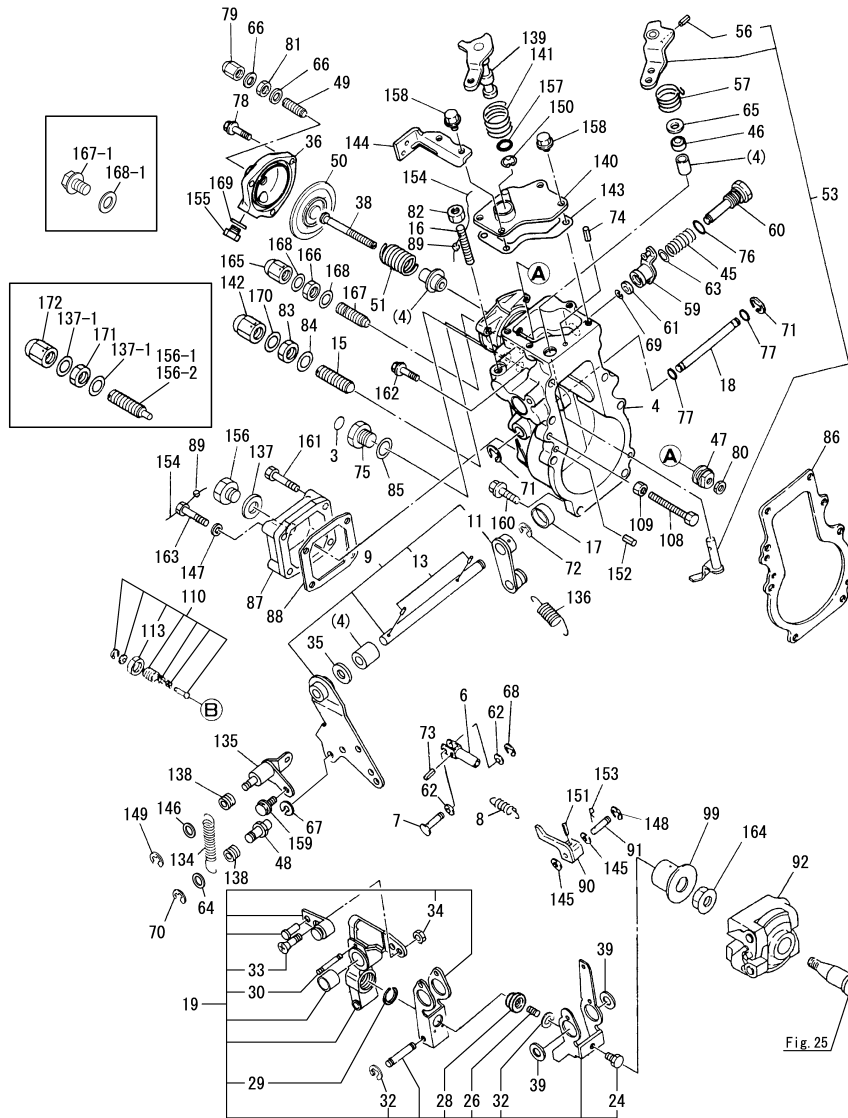
No.	Lev.	Parts No.	Description	Q'ty						I	R
				(A)	(B)	(C)	(D)	(E)	(F)		
66-1	3	22190-080002	WASHER, SEAL 8	2	2	2					R
		(A=*2004.06.) (B=*2004.06.)									
67	3	22217-080000	WASHER, SPRING 8	1	1	1					
68	3	22272-000040	RING, E- 4	1	1	1					
69	3	22272-000060	RING, E- 6	1	1	1					
70	3	22272-000060	RING, E- 6	1	1	1					
71	3	22272-000080	RING, E- 8	2	2	2					
72	3	22272-000080	RING, E- 8	1	1	1					
73	3	22351-030016	PIN, SPRING 3.0X16	1	1	1					
74	3	22492-060362	PIN, B6X36	1	1	1					
75	3	23887-160002	PLUG, 16	1	1	1					
76	3	24311-000120	O-RING, 1AP12.0	1	1	1					
77	3	24341-000080	O-RING, 1AS8.0	2	2	2					
78	3	26106-060182	BOLT, M6X 18 PLATED	3	3	3					
79	3	26667-080002	NUT, CAP M8	1	1	1					
80	3	26756-060002	NUT, LOCK M6	1	1						
80-1	3	26716-060002	NUT, M6	1	1	1					R
		(A=*2005.04.) (B=*2005.04.)									
81	3	26756-080002	NUT, LOCK M8	1	1	1					
82	3	26756-080002	NUT, LOCK M8	1	1	1					
83	3	26777-120002	NUT, LOCK M12	1	1	1					
84	3	22190-120002	WASHER, SEAL 12	1	1	1					
85	3	22190-160002	WASHER, SEAL 16	1	1	1					
86	2	119000-61052	GASKET, CASE	1	1	1					
87	2	119187-61071	COVER, GOVERNOR CASE	1	1	1					
88	2	127695-61071	GASKET, COVER	1	1	1					
89	2	135210-61090	LEAD	3	3						
89-1	2	114780-61090	TIN	3	3	3					N
		(A=*2008.10.) (B=*2008.10.)									
90	2	119593-61100	LINK, RACK	1	1	1					1
90A	2	119593-61110	LINK, RACK	1	1	1					2
90B	2	119593-61120	LINK, RACK	1	1	1					3
90C	2	119593-61130	LINK, RACK 10.5	1	1	1					4
90D	2	119593-61140	LINK, RACK 11.5	1	1	1					5
90E	2	119593-61150	LINK, RACK 12.5	1	1	1					6
91	2	119000-61180	PIN, LINK	1	1	1					
92	2	119173-61200	WEIGHT ASSY,GOVERNOR	1	1	1					
99	2	119187-61300	SLEEVE ASSY	1	1	1					
108	2	171353-61460	BOLT, IDLE LIMIT	1	1	1					
109	2	119000-61470	NUT, LOCK M6	1	1	1					
110	2	120324-61551	ANGLEICH ASSY	1	1	1					
113	3	124616-61580	NUT, LOCK	1	1	1					
134	2	119173-61651	SPRING	1	1	1					
135	2	119173-61660	SUPPORT, SPRING	1	1	1					
136	2	119588-61700	SPRING, GOVERNOR	1	1						
136-1	2	119594-61700	SPRING, GOVERNOR	1	1	1					N
		(A=*2000.04.) (B=*2000.04.)									
137	2	22190-120002	WASHER, SEAL 12	1	1						
137-1	2	22190-120002	WASHER, SEAL 12	2	2	2					K
		(A=*2001.01.) (B=*2001.01.)									
138	2	144626-61781	PIECE, SPRING	2	2	2					

- Remarks  
 (1)Pitch 51  
 (2)Pitch 52  
 (3)Pitch 53  
 (4)Pitch 51.5  
 (5)Pitch 52.5  
 (6)Pitch 53.5

Fig.28. GOVERNOR

(A)=6LY2-STE  
(B)=6LY2A-STP  
(C)=6LY2A-UTP

(D)=  
(E)=  
(F)=



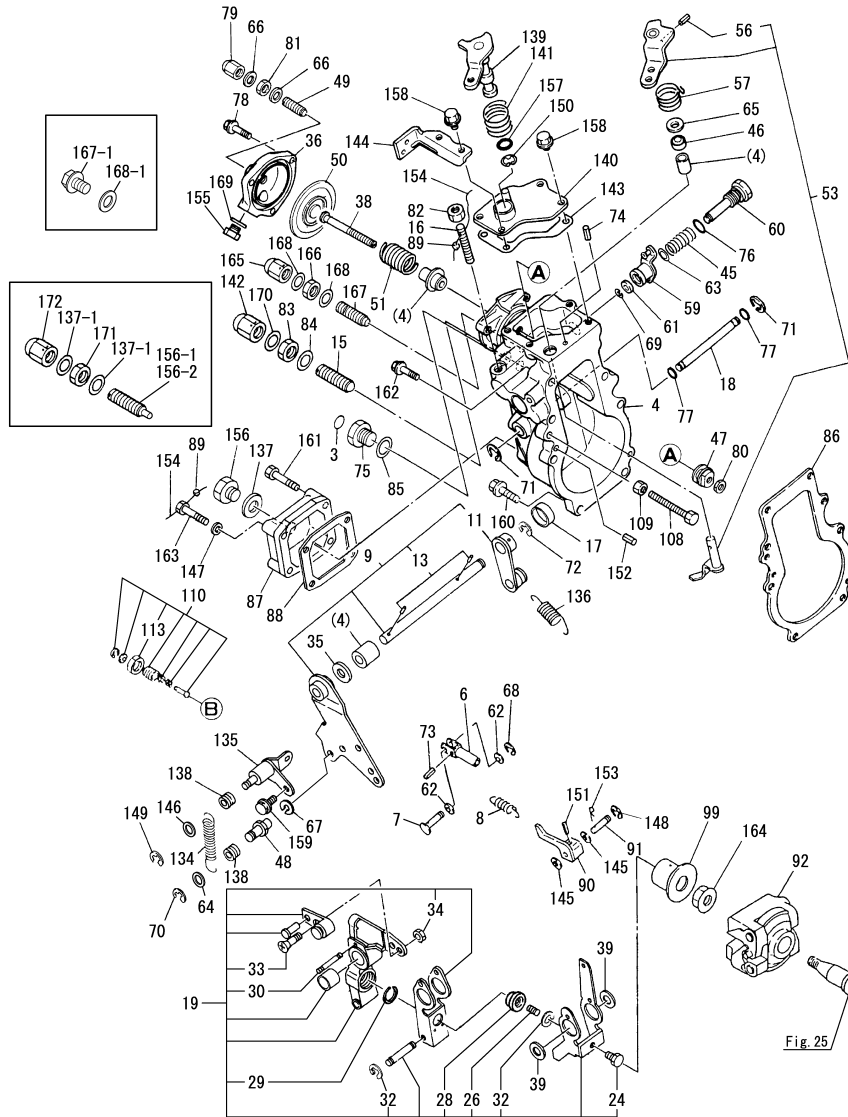
No.	Lev.	Parts No.	Description	Q'ty						I	R
				(A)	(B)	(C)	(D)	(E)	(F)		
139	2	119593-61900	LEVER, CANCEL	1	1	1					
140	2	119593-61910	COVER, UPPER	1	1	1					
141	2	119593-61920	SPRING, RETURN	1	1	1					
142	2	129100-61930	NUT	1	1	1					
143	2	127695-61961	GASKET, UPPER COVER	1	1	1					
144	2	119593-61990	SUPPORT, WIRE	1	1	1					
145	2	22117-050000	WASHER, 5	2	2	2					
146	2	22117-080000	WASHER, 8	1	1	1					
147	2	22217-060000	WASHER, SPRING 6	1	1	1					
148	2	22272-000040	RING, E- 4	1	1	1					
149	2	22272-000060	RING, E- 6	1	1						
149-1	2	22276-000060	RING, E- 6	1	1	1					R
(A=*2010.03.) (B=*2010.03.)											
150	2	22272-000100	RING, E-10	1	1						
150-1	2	22276-000100	RING, E-10	1	1	1					R
(A=*2010.03.) (B=*2010.03.)											
151	2	22351-030025	PIN, SPRING 3.0X25	1	1	1					
152	2	22351-050020	PIN, SPRING 5.0X20	2	2	2					
153	2	22372-050000	PIN, SNAP 5	1	1	1					
154	2	22453-060000	WIRE, 0.6	3	3						
154-1	2	120325-61100	WIRE, 1.0	3	3	3					N
(A=*2002.01.) (B=*2002.01.)											
155	2	23887-100002	PLUG, 10	1	1	1					
156	2	23887-120002	PLUG, 12	1	1						
156-1	2	127695-61550	IDLE ASSY	1	1						N
(A=*2001.01.) (B=*2001.01.)											
156-2	2	127695-61551	IDLE ASSY, SUB	1	1	1					R
(A=*2007.07.) (B=*2007.07.)											
156-3	2	127695-61552	SPRING ASSY, IDLE SUB	1	1	1					R
(A=*2015.07.) (B=*2015.07.) (C=*2015.07.)											
157	2	24311-000110	O-RING, 1AP11.0	1	1	1					
158	2	26106-060122	BOLT, M6X 12 PLATED	4	4	4					
159	2	26106-060122	BOLT, M6X 12 PLATED	1	1	1					
160	2	26106-060222	BOLT, M6X 22 PLATED	6	6	6					
161	2	26106-060302	BOLT, M6X 30 PLATED	3	3	3					
162	2	26106-060402	BOLT, M6X 40 PLATED	1	1	1					
163	2	26116-060306	BOLT, M6X 30 PLATED	1	1	1					
164	2	26376-120002	NUT, M12	1	1	1					
165	2	26667-080002	NUT, CAP M8	1	1						Z
(A=*2005.04.) (B=*2005.04.)											
166	2	26756-080002	NUT, LOCK M8	1	1						Z
(A=*2005.04.) (B=*2005.04.)											
167	2	26911-080402	SCREW, M8X40	1	1						
167-1	2	26106-080122	BOLT, M8X 12 PLATED	1	1	1					R
(A=*2005.04.) (B=*2005.04.)											
168	2	22190-080002	WASHER, SEAL 8	2	2						
168-1	2	22190-080002	WASHER, SEAL 8	1	1	1					K
(A=*2005.04.) (B=*2005.04.)											
169	2	22190-100002	WASHER, SEAL 10	1	1	1					
170	2	22190-120002	WASHER, SEAL 12	1	1	1					
171	2	26777-120002	NUT, LOCK M12	1	1	1					W

- Remarks  
 (1)Pitch 51  
 (2)Pitch 52  
 (3)Pitch 53  
 (4)Pitch 51.5  
 (5)Pitch 52.5  
 (6)Pitch 53.5

Fig.28. GOVERNOR

(A)=6LY2-STE  
(B)=6LY2A-STP  
(C)=6LY2A-UTP

(D)=  
(E)=  
(F)=



No.	Lev.	Parts No.	Description	Q'ty						I	R
				(A)	(B)	(C)	(D)	(E)	(F)		
		(A=*2001.01.) (B=*2001.01.)									
172	2	129100-61930	NUT	1	1	1					W
		(A=*2001.01.) (B=*2001.01.)									

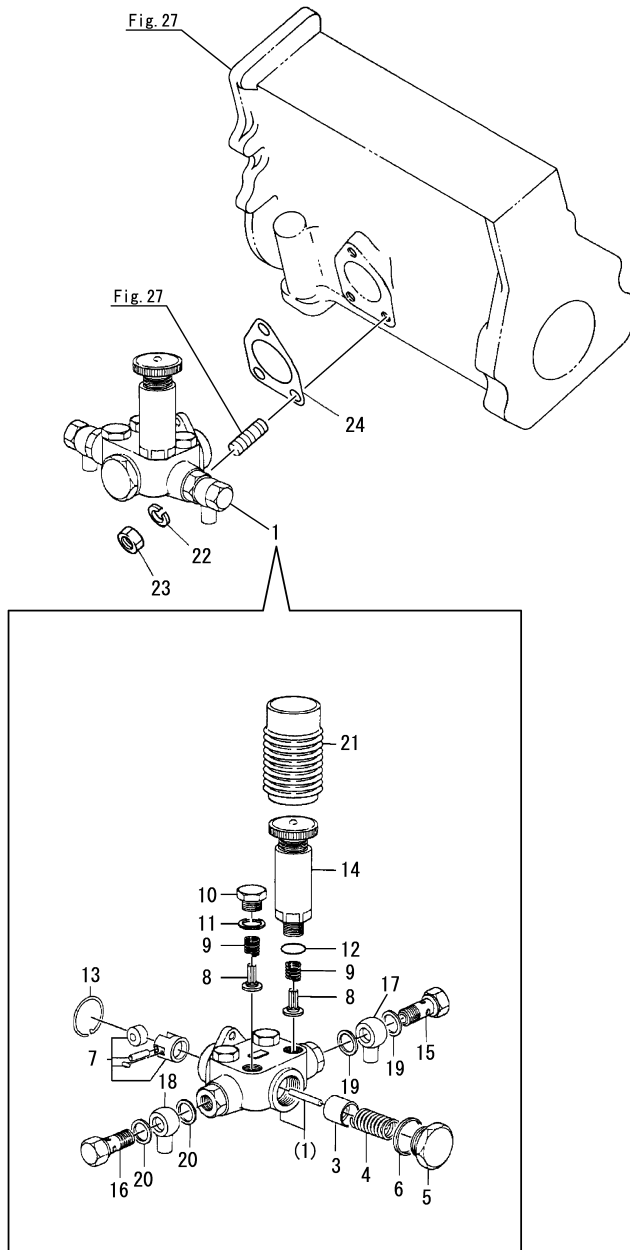
Remarks

- (1)Pitch 51
- (2)Pitch 52
- (3)Pitch 53
- (4)Pitch 51.5
- (5)Pitch 52.5
- (6)Pitch 53.5

Fig.29. FUEL FEED PUMP

(A)=6LY2-STE  
(B)=6LY2A-STP  
(C)=6LY2A-UTP

(D)=  
(E)=  
(F)=



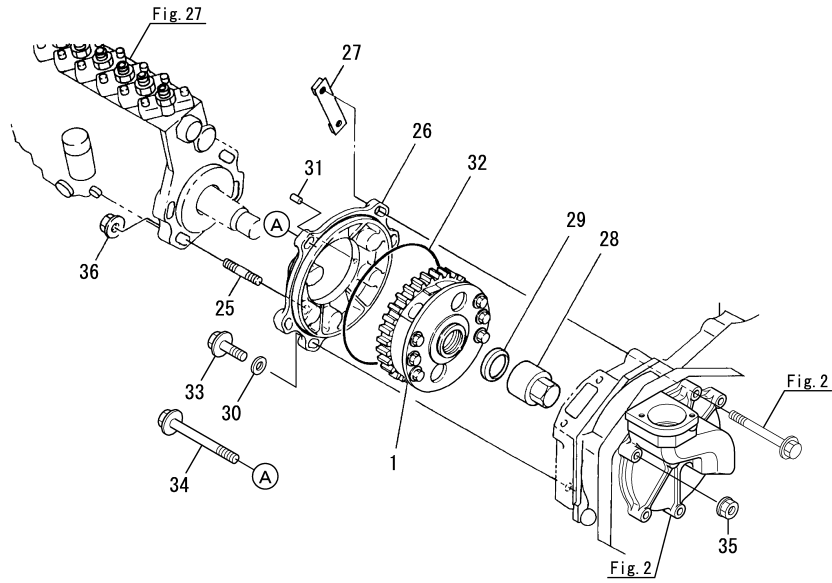
No.	Lev.	Parts No.	Description	Q'ty						I	R
				(A)	(B)	(C)	(D)	(E)	(F)		
1	1	127691-52010	PUMP, FUEL FEED	1	1	1					
3	2	X1521001120	PISTON	1	1	1					
4	2	X1521021300	SPRING, PISTON	1	1	1					
5	2	X1521051500	PLUG	1	1	1					
6	2	X0293326030	GASKET	1	1	1					
7	2	X1521114020	TAPPET	1	1	1					
8	2	X1521150500	VALVE	4	4	4					
9	2	X1521160200	SPRING	4	4	4					
10	2	X1521170100	PLUG	3	3	3					
11	2	X0293316030	GASKET	3	3	3					
12	2	X0296316060	O-RING	1	1	1					
13	2	X1521210400	RING, SNAP	1	1	1					
14	2	X1522006720	PRIMING PUMP	1	1	1					
15	2	X1523005920	BOLT	1	1	1					
16	2	X0297314680	EYE BOLT	1	1	1					
17	2	X0271141040	JOINT	1	1	1					
18	2	X0271141040	JOINT	1	1	1					
19	2	X0293314230	GASKET	2	2	2					
20	2	X0293314230	GASKET	2	2	2					
21	2	X1523200100	COVER	1	1	1					
22	1	22217-060000	WASHER, SPRING 6	3	3	3					
23	1	26716-060002	NUT, M6	3	3	3					
24	1	124410-51861	GASKET	1	1	1					



Fig.30. TIMER

(A)=6LY2-STE  
(B)=6LY2A-STP  
(C)=6LY2A-UTP

(D)=  
(E)=  
(F)=



No.	Lev.	Parts No.	Description	Q'ty						I	R
				(A)	(B)	(C)	(D)	(E)	(F)		
1	1	719595-54801	TIMER ASSY	1							
1-1	1	719595-54102	TIMER ASSY	1	1						N
		(A=E50126)									
1-2	1	719595-54103	TIMER ASSY	1	1						N
		(A=*2003.11.) (B=*2003.11.)									
1-3	1	719595-54200	TIMER ASSY	1	1	1					N
		(A=*2004.01.) (B=*2004.01.)									
25	1	121850-01900	STUD, SB10X32	4	4						
25-1	1	26226-100322	STUD, M10X 32	4	4	4					N
		(A=*2003.04.) (B=*2003.04.)									
26	1	119594-25911	BRACKET, PUMP	1	1	1					
27	1	119000-25920	RETAINER	1	1	1					
28	1	144606-54900	NUT, CAP	1	1	1					
29	1	144606-54910	WASHER	1	1	1					
30	1	106100-55800	WASHER	3	3	3					
31	1	22351-050012	PIN, SPRING 5.0X12	1	1	1					
32	1	24341-001350	O-RING, 1AS135.0	1	1	1					
33	1	26106-080252	BOLT, M8X 25 PLATED	2	2	2					
34	1	26106-081202	BOLT, M8X120 PLATED	1	1	1					
35	1	26366-080002	NUT, M8	1	1						
35-1	1	26306-080002	NUT, M8	1	1	1					N
		(A=E50655) (B=*2001.03.)									
36	1	26366-100002	NUT, M10	4	4						
36-1	1	26306-100002	NUT, M10	4	4	4					N
		(A=E50655) (B=*2001.03.)									

Fig.31. FUEL INJECTION VALVE & FUEL INJECTION PIPE

(A)=6LY2-STE  
(B)=6LY2A-STP  
(C)=6LY2A-UTP

(D)=  
(E)=  
(F)=

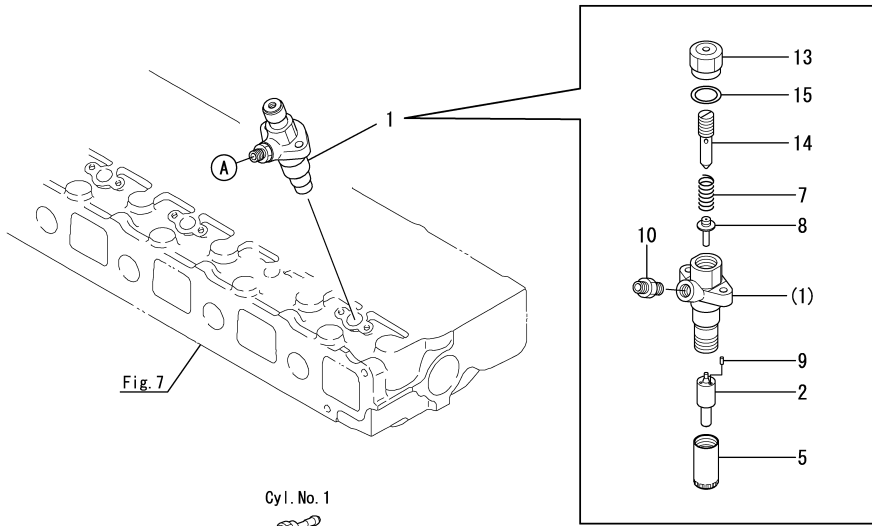


Fig. 7

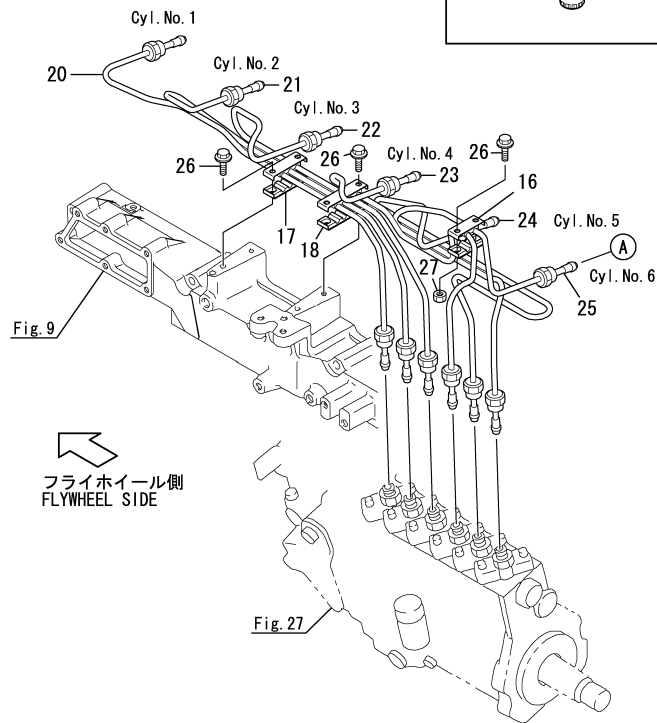


Fig. 9

←  
フライホイール側  
FLYWHEEL SIDE

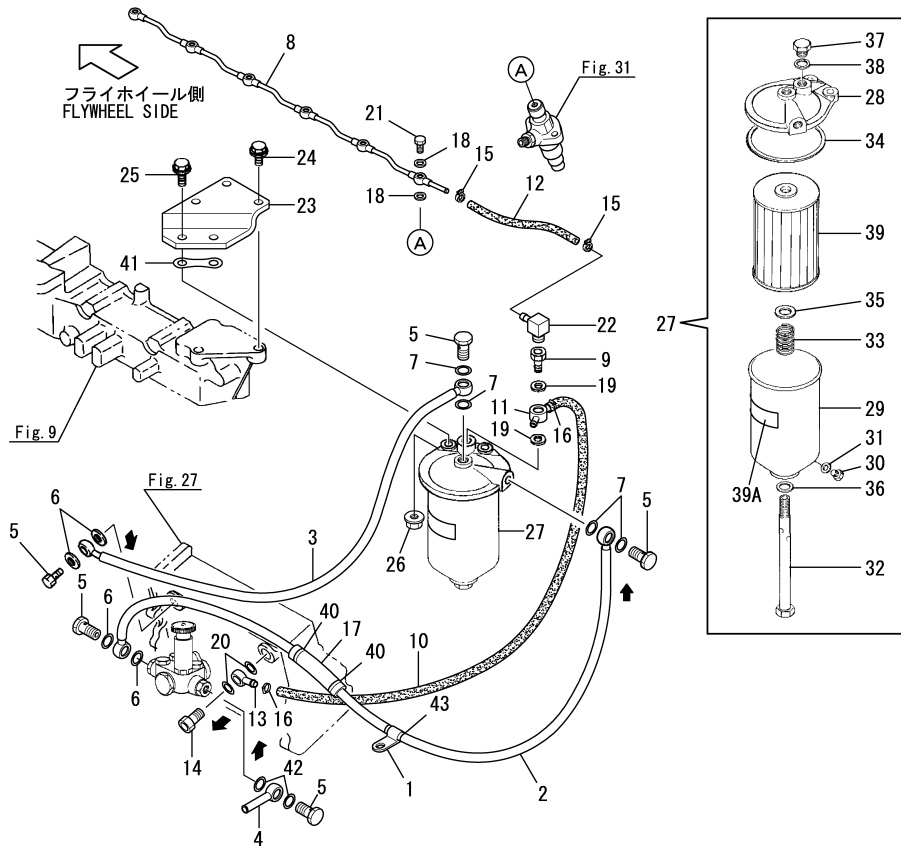
Fig. 27

No.	Lev.	Parts No.	Description	Q'ty						I	R
				(A)	(B)	(C)	(D)	(E)	(F)		
1	1	719575-53100	VALVE ASSY,INJECTION	6							
1A	1	719575-53100	VALVE ASSY,INJECTION		6						
1A-1	1	719575-53200	VALVE ASSY,INJECTION		6	6					S
(B=*2001.11.)											
2	2	119575-53000	VALVE ASSY,INJECTION	6							
2A	2	119575-53000	VALVE ASSY,INJECTION		6						
2A-1	2	119575-53050	VALVE ASSY,INJECTION		6	6					S
(B=*2001.11.)											
5	2	120323-53080	NUT, CASE	6	6	6					
7	2	120323-53120	SPRING	6	6	6					
8	2	120323-53130	RETAINER, SPRING	6	6	6					
9	2	103200-53210	KNOCK, VALVE	12	12	12					
10	2	119595-53300	JOINT ASSY	6	6	6					
13	2	120323-53410	CAP	6	6	6					
14	2	120323-53440	BOLT, ADJUSTING	6	6	6					
15	2	23414-140018	GASKET, 14X1.0	6	6	6					
16	1	122780-59100	RETAINER	2	2	2					
17	1	123372-59100	RETAINER, PIPE	2	2	2					
18	1	123472-59120	RETAINER, PIPE	6	6	6					
20	1	119595-59711	PIPE, FUEL INJECTION	1	1	1					
21	1	119595-59721	PIPE, FUEL INJECTION	1	1	1					
22	1	119595-59731	PIPE, FUEL INJECTION	1	1	1					
23	1	119595-59741	PIPE, FUEL INJECTION	1	1	1					
24	1	119595-59750	PIPE, FUEL INJECTION	1	1	1					
25	1	119595-59762	PIPE, FUEL INJECTION	1	1	1					
26	1	26106-060202	BOLT, M6X 20 PLATED	10	10	10					
27	1	26366-060002	NUT, M6	5	5	5					

Fig.32. FUEL PIPE & FUEL STRAINER

(A)=6LY2-STE  
(B)=6LY2A-STP  
(C)=6LY2A-UTP

(D)=  
(E)=  
(F)=

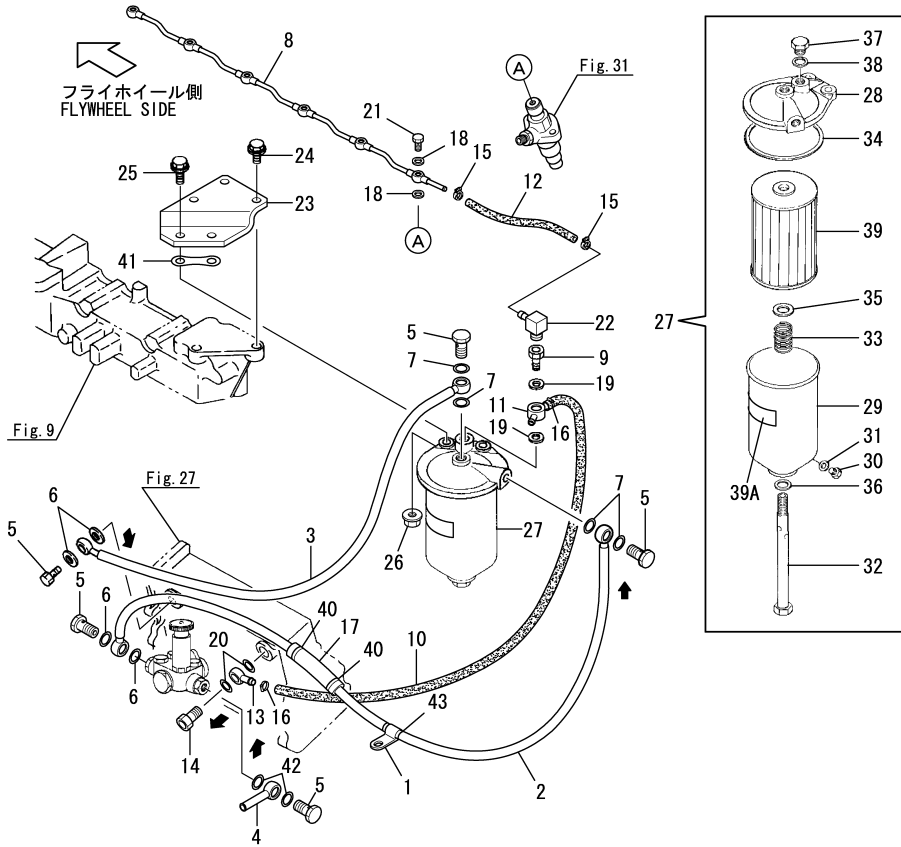


No.	Lev.	Parts No.	Description	Q'ty						I	R
				(A)	(B)	(C)	(D)	(E)	(F)		
1	1	128377-59860	RETAINER	1	1						
1-1	1	124770-49310	RETAINER	1	1	1					R
		(A=*2008.12.) (B=*2008.12.)									
2	1	119593-59132	PIPE ASSY, FUEL	1	1						
2-1	1	119593-59133	PIPE ASSY, FUEL L630	1	1	1					N
		(A=*2002.07.) (B=E00062)									
3	1	119593-59141	PIPE ASSY, FUEL	1	1						
3-1	1	119593-59142	PIPE FUEL OIL	1	1	1					N
		(A=*2002.07.) (B=E00062)									
4	1	123325-59420	PIPE ASSY, FUEL	1	1	1					
5	1	148616-59430	BOLT, M14X26	5	5	5					
6	1	22190-140002	WASHER, SEAL 14	4	4	4					
7	1	22190-140002	WASHER, SEAL 14	4	4	4					
8	1	119595-59150	PIPE ASSY, FUEL	1	1						
8-1	1	119595-59151	PIPE ASSY, FUEL	1	1	1					R
		(A=E50105) (B=*2000.05.)									
9	1	119593-59920	VALVE ASSY, CHECK	1	1	1					
10	1	119574-59512	PIPE, FUEL	1	1	1					
11	1	119574-59980	JOINT, PIPE	1	1	1					
12	1	119187-59562	PIPE, FUEL	1	1	1					
13	1	121750-59910	JOINT, BALL	1	1	1					
14	1	119595-59950	VALVE ASSY, CHECK	1	1	1					
15	1	23000-016000	CLAMP, 16	2	2						
15-1	1	119172-48130	CLIP, HOSE 13	2	2	2					N
		(A=*2002.02.) (B=E00062)									
16	1	23000-019000	CLAMP, 19	2	2						
16-1	1	119172-48190	CLIP, HOSE 19	2	2	2					N
		(A=*2002.02.) (B=E00062)									
17	1	119575-59300	PROTECTOR	1	1	1					
18	1	22190-080002	WASHER, SEAL 8	12	12	12					
19	1	22190-140002	WASHER, SEAL 14	2	2	2					
20	1	22190-140002	WASHER, SEAL 14	2	2	2					
21	1	23857-030000	BOLT, JOINT 3	6	6	6					
22	1	119593-59960	ELBOW, PT1/8	1	1	1					
23	1	119574-55650	BRACKET	1	1	1					
24	1	26106-100222	BOLT, M10X 22 PLATED	3	3	3					
25	1	26106-100302	BOLT, M10X 30 PLATED	2	2	2					
26	1	26366-100002	NUT, M10	2	2						
26-1	1	26306-100002	NUT, M10	2	2	2					N
		(A=E50655) (B=*2001.03.)									
27	1	41650-550310	STRAINER, FUEL	1	1	1					
28	2	123678-55700	COVER	1	1	1					
29	2	123678-55720	CASE	1	1	1					
30	2	123672-55750	PLUG, DRAIN M8	1	1	1					
31	2	123672-55760	GASKET	1	1	1					
32	2	123678-55770	BOLT	1	1	1					
33	2	123678-55790	SPRING, SET	1	1	1					
34	2	123678-55850	GASKET	1	1	1					
35	2	123678-55860	SEAT, SPRING D30/16	1	1	1					
36	2	123678-55870	GASKET	1	1	1					
37	2	123678-55880	PLUG, M14	1	1	1					

Fig.32. FUEL PIPE & FUEL STRAINER

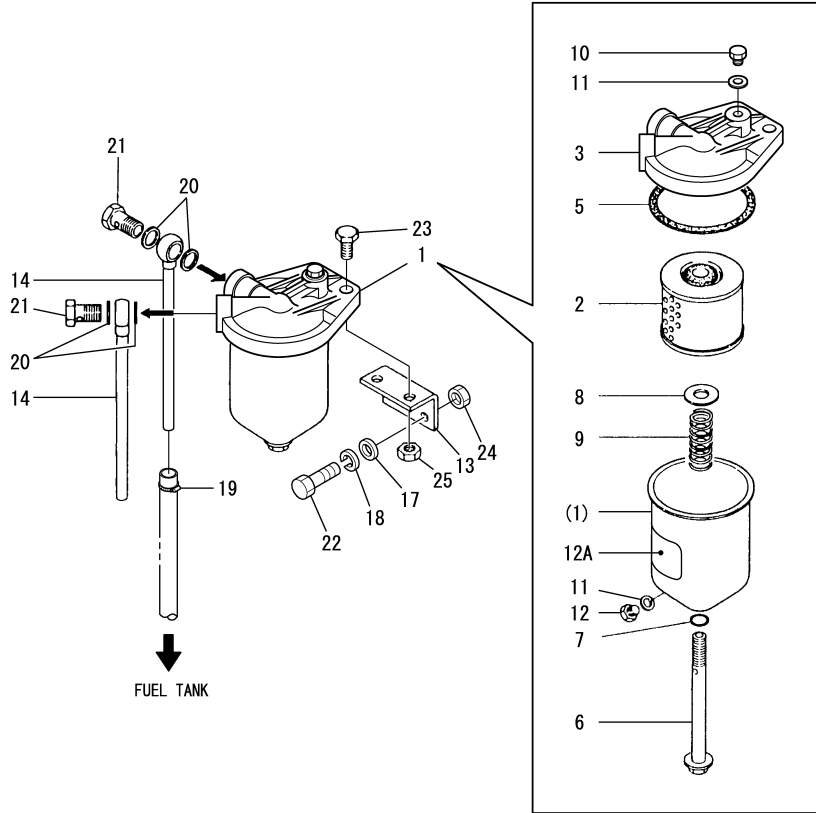
(A)=6LY2-STE  
(B)=6LY2A-STP  
(C)=6LY2A-UTP

(D)=  
(E)=  
(F)=



No.	Lev.	Parts No.	Description	Q'ty						I	R
				(A)	(B)	(C)	(D)	(E)	(F)		
38	2	123678-55890	GASKET, PLUG	1	1	1					
39	2	41650-550810	STRAINER	1	1	1					
39A	2	41650-501180	LABEL, CAUTION	1	1	1					W
		(A=*2011.03.) (B=E00382)									
40	1	121750-59890	BAND, NYLON	2	2	2					
41	1	127610-55820	PAD	1	1	1					
42	1	23414-140000	GASKET, 14X1.0	2	2	2					
43	1	123682-77710	PROTECTOR	1	1	1					W
		(A=*2008.12.) (B=*2008.12.)									

Fig.33. OIL/WATER SEPARATER(OPTIONAL)

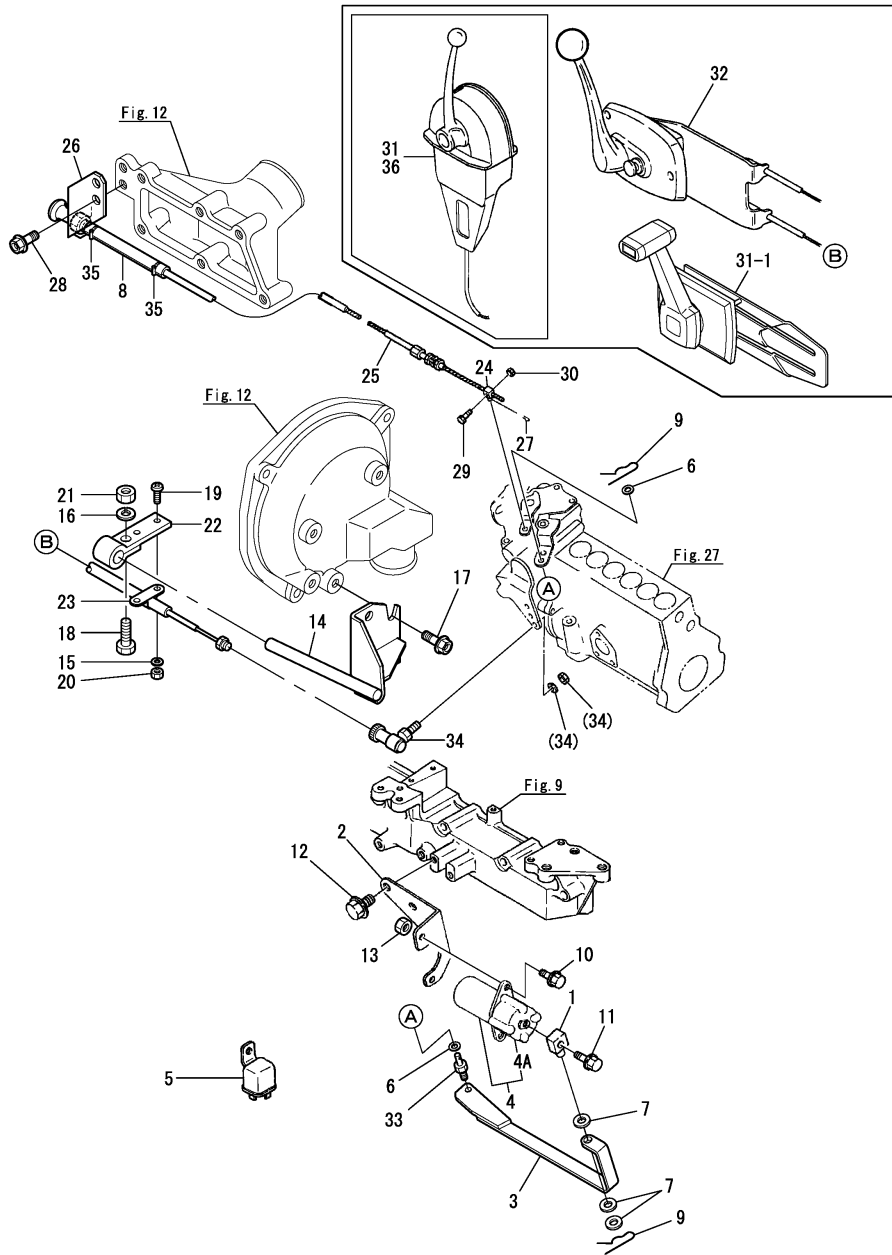


(A)=6LY2-STE  
(B)=6LY2A-STP  
(C)=6LY2A-UTP

(D)=  
(E)=  
(F)=

No.	Lev.	Parts No.	Description	Q'ty						I	R
				(A)	(B)	(C)	(D)	(E)	(F)		
1	1	120324-55750	SEPARATOR ASSY	1	1						
1-1	1	120324-55751	SEPARATOR ASSY	1	1	1					N
		(A=*2008.04.) (B=E00125)									
2	2	120324-55760	ELEMENT	1	1	1					
3	2	X2740134001	COVER ASSY	1	1	1					
5	2	X0582810173	GASKET	1	1	1					
6	2	X0311121522	BOLT	1	1	1					
7	2	X0580121073	O-RING, 1A P 12.0	1	1	1					
8	2	X0300120414	SEAT, SPRING	1	1	1					
9	2	X0600160122	SPRING	1	1	1					
10	2	X0314080110	PLUG	1	1	1					
11	2	X0588080273	WASHER	2	2	2					
12	2	X0313080110	BOLT	1	1	1					
12A	2	X0993071171	LABEL, CAUTION	1	1	1					W
		(A=*2008.04.) (B=E00125)									
13	1	123672-55811	BRACKET	1	1	1					
14	1	123325-59420	PIPE ASSY, FUEL	2	2	2					
17	1	22137-080000	WASHER, 8	2	2	2					
18	1	22217-080000	WASHER, SPRING 8	2	2	2					
19	1	23000-016000	CLAMP, 16	2	2						
19-1	1	119172-48190	CLIP, HOSE 19	2	2	2					N
		(A=*2002.02.) (B=E00062)									
20	1	23414-140000	GASKET, 14X1.0	4	4	4					
21	1	23857-080000	BOLT, JOINT 8	2	2	2					
22	1	26106-080402	BOLT, M8X 40 PLATED	2	2	2					
23	1	26106-100202	BOLT, M10X 20 PLATED	2	2	2					
24	1	26366-080002	NUT, M8	2	2						
24-1	1	26306-080002	NUT, M8	2	2	2					N
		(A=E50655) (B=*2001.03.)									
25	1	26706-100002	NUT, M10	2	2	2					

Fig.34. ENGINE STOP DEVICE



(A)=6LY2-STE  
(B)=6LY2A-STP  
(C)=6LY2A-UTP

(D)=  
(E)=  
(F)=

No.	Lev.	Parts No.	Description	Q'ty						I	R
				(A)	(B)	(C)	(D)	(E)	(F)		
1	1	171078-66551	PIN	1	1	1					
2	1	119588-67300	BRACKET, SOLENOID	1							
2A	1	119588-67300	BRACKET, SOLENOID		1	1					
3	1	119588-67311	LINK	1	1	1					
4	1	129470-67320	SOLENOID, STOP 12V	1	1	1					
4A	1	119588-67330	CAP, SOLENOID	1	1	1					
5	1	119773-91850	RELAY, DC12V	1	1	1					
6	1	22117-060000	WASHER, 6	2	2	2					
7	1	22117-080000	WASHER, 8	3	3	3					
8	1	119574-67450	COVER, WIRE	1	1						
9	1	22360-080000	SNAP PIN 8	2	2	2					
10	1	26106-060102	BOLT, M6X 10 PLATED	2							
10A	1	26106-060122	BOLT, M6X 12 PLATED		2	2					
11	1	26106-060202	BOLT, M6X 20 PLATED	1	1	1					
12	1	26106-080122	BOLT, M8X 12 PLATED	2							
12A	1	26106-080162	BOLT, M8X 16 PLATED		2	2					
13	1	26366-060002	NUT, M6	1	2	2					
14	1	119574-67150	BRACKET	1	1						
14-1	1	119595-67150	BRACKET, CABLE	1	1	1					R
		(A=*2008.12.) (B=*2008.12.)									
15	1	22217-050000	WASHER, SPRING 5	2	2	2					
16	1	22217-080000	WASHER, SPRING 8	1	1	1					
17	1	26106-080142	BOLT, M8X 14 PLATED	2	2	2					
18	1	26116-080202	BOLT, M8X 20 PLATED	1	1	1					
19	1	26557-050122	SCREW, M5X12	2	2	2					
20	1	26716-050002	NUT, M5	2	2	2					
21	1	26716-080002	NUT, M8	1	1	1					
22	1	41701-001720	CLAMP, BRCKET	1	1	1					
23	1	41710-000410	CLAMP	1	1	1					
24	1	129590-67310	RETAINER, WIRE	1	1						
25	1	119593-67400	WIRE, CANCEL	1	1						
26	1	119574-67901	BRACKET	1	1						
27	1	22414-250150	PIN, COTTER 2.5X15	1	1						
28	1	26106-080122	BOLT, M8X 12 PLATED	2	2						
29	1	26116-050142	BOLT, M5X 14 PLATED	1	1						
30	1	26756-050002	NUT, LOCK M5	1	1						
31	1	128170-86500	CONTROLLER		1						1
31-1	1	128170-86501	REMOCON HEAD (MN		1	1					S 1
		(B=*2002.04.)									
32	1	41730-000681	CONTROL, MT-3	1	1	1					1
33	1	120220-66250	PIN	1	1	1					
34	1	41710-001300	JOINT, BALL M5	1	1	1					
35	1	23000-013000	CLAMP, 13	2	2						
35-1	1	119172-48130	CLIP, HOSE 13	2	2						N
		(A=*2002.02.) (B=E00062)									
36	1	128170-86500	CONTROLLER	1							

Remarks

(1)Optional parts.

N:Old  $\begin{matrix} \leftarrow \text{Yes} \\ \text{No} \end{matrix}$  New, Q:Old  $\begin{matrix} \leftarrow \text{No} \\ \text{Yes} \end{matrix}$  New, R:Old  $\begin{matrix} \leftarrow \text{Yes} \\ \text{Yes} \end{matrix}$  New, S:Old  $\begin{matrix} \leftarrow \text{No} \\ \text{No} \end{matrix}$  New, W:Add, Z:Discontinued, F:Interchangeable by set, K:Q'ty Change

Fig.35. CLUTCH

(A)=6LY2-STE  
(B)=6LY2A-STP  
(C)=6LY2A-UTP

(D)=  
(E)=  
(F)=

No.	Lev.	Parts No.	Description	Q'ty						I	R
				(A)	(B)	(C)	(D)	(E)	(F)		
1	1	119593-85900	COUPLING	1	1						
2	1	26116-160452	BOLT, M16X 45 PLATED	6	6						
3	1	26716-160002	NUT, M16	6	6						
4	1	177524-80010	CLUTCH ASSY, 2.43			1	1				
5	1	177524-80020	CLUTCH ASSY, 2.04			1	1				
6	1	177524-80030	CLUTCH ASSY, 1.55			1	1				
7	1	26106-100252	BOLT, M10X 25 PLATED			8	8				
8	1	26106-100282	BOLT, M10X 28 PLATED			12	12				

Remarks

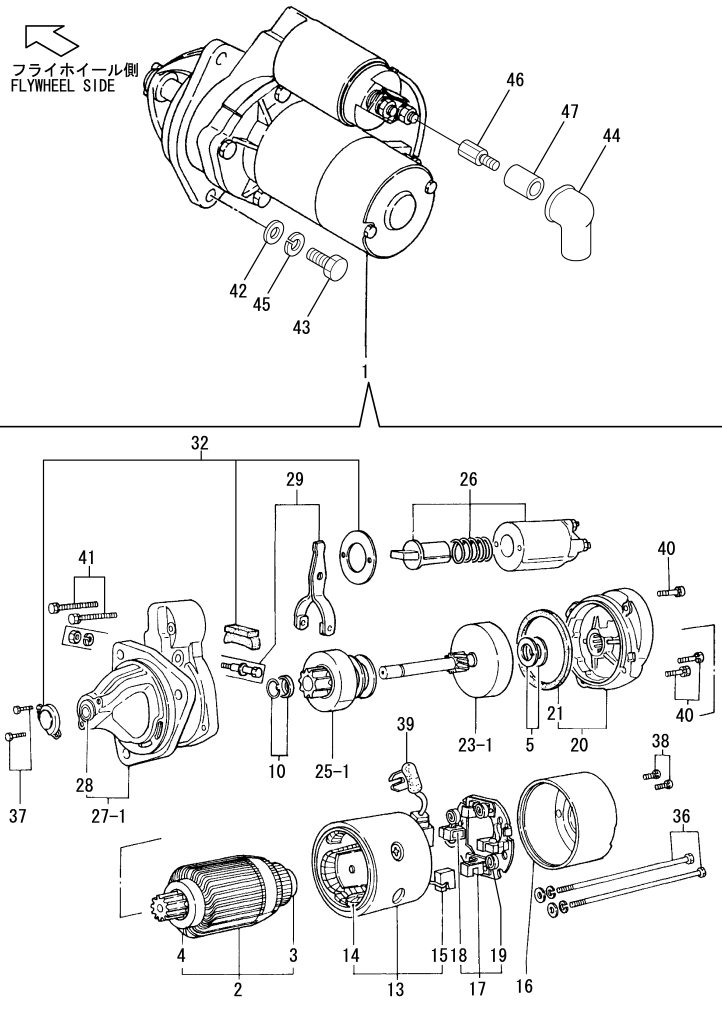
\* Parts listed in this figure are not illustrated.

N:Old  $\begin{matrix} \leftarrow \text{Yes} \\ \text{No} \rightarrow \end{matrix}$  New, Q:Old  $\begin{matrix} \leftarrow \text{No} \\ \text{Yes} \rightarrow \end{matrix}$  New, R:Old  $\begin{matrix} \leftarrow \text{Yes} \\ \text{Yes} \rightarrow \end{matrix}$  New, S:Old  $\begin{matrix} \leftarrow \text{No} \\ \text{No} \rightarrow \end{matrix}$  New, W:Add, Z:Discontinued, F:Interchangeable by set, K:Q'ty Change

Fig.36. STARTER MOTOR

(A)=6LY2-STE  
(B)=6LY2A-STP  
(C)=6LY2A-UTP

(D)=  
(E)=  
(F)=



No.	Lev.	Parts No.	Description	Q'ty						I	R
				(A)	(B)	(C)	(D)	(E)	(F)		
1	1	124610-77010	STARTER, S13-68A	1	1						1
1-1	1	124610-77010	STARTER, S13-68A	1	1						N 2
		(A=*1995.12.) (B=*1995.12.)									
1-2	1	124610-77019	STARTING MOTOR	1	1	1					N 3
		(A=E50105) (B=*2000.03.)									
2	2	121254-77401	ARMATURE ASSY	1	1						
2-1	2	121254-77402	ARMATURE ASSY	1	1	1					S
		(A=*1995.12.) (B=*1995.12.)									
3	3	121254-77410	BALL BEARING	1	1	1					
4	3	121254-77420	BALL BEARING	1	1	1					
5	2	121254-77430	WASHER KIT, THRUST	1	1	1					
10	2	121254-77480	STOPPER KIT, PINION	1	1	1					
13	2	121254-77510	YORK ASSY	1	1						
13-1	2	121254-77511	COIL ASSY, FIELD	1	1	1					S
		(A=*1995.12.) (B=*1995.12.)									
14	3	121254-77520	COIL ASSY, FIELD	1	1						
14-1	3	121254-77521	COIL ASSY, FIELD	1	1	1					S
		(A=*1995.12.) (B=*1995.12.)									
15	4	121254-77540	BRUSH(+)	2	2						
15-1	4	121254-77541	BRUSH (+)	2	2	2					S
		(A=*1995.12.) (B=*1995.12.)									
16	2	124610-77550	REAR COVER ASSY	1	1	1					
17	2	121254-77570	HOLDER ASSY, BRUSH	1	1						
17-1	2	121254-77571	HOLDER ASSY	1	1	1					S
		(A=*1995.12.) (B=*1995.12.)									
18	3	121254-77580	BRUSH (-)	2	2						
18-1	3	121254-77581	BRUSH, -	2	2	2					S
		(A=*1995.12.) (B=*1995.12.)									
19	3	121254-77590	SPRING, BRUSH	4	4	4					
20	2	X21304400	BEARING ASSY, CENTER	1	1						
20-1	2	121254-77600	BEARING ASSY, CENTER	1	1	1					N
		(A=*1995.12.) (B=*1995.12.)									
21	3	119129-77210	SEAL, OIL	1	1						
21-1	3	121254-77610	SEAL, OIL	1	1	1					N
		(A=*1995.12.) (B=*1995.12.)									
23-1	2	X22501113	SHAFT ASSY, GEAR	1	1						
23-2	2	124610-77640	SHAFT ASSY, GEAR	1	1	1					N
		(A=*1995.12.) (B=*1995.12.)									
25-1	2	X213035002	PINION ASSY	1	1						
25-2	2	124610-77660	PINION ASSY	1	1	1					N
		(A=*1995.12.) (B=*1995.12.)									
26	2	X213017001	SWITCH ASSY, MAGNET.	1	1	1					
26-1	2	121254-77670	SWITCH, MAGNETIC	1	1						N
		(A=*1995.12.) (B=*1995.12.)									
26-2	2	121254-77671	SWITCH, MAGNETIC	1	1	1					N
		(A=E50105) (B=*2000.03.)									
27-1	2	X213046003	HOUSING ASSY, GEAR	1	1	1					
28	3	121254-77690	METAL, GEAR CASE	1	1						
28-1	3	124610-77690	METAL, GEAR CASE	1	1	1					N
		(A=*1995.12.) (B=*1995.12.)									
29	2	121254-77700	LEVER SET, SHIFT	1	1	1					

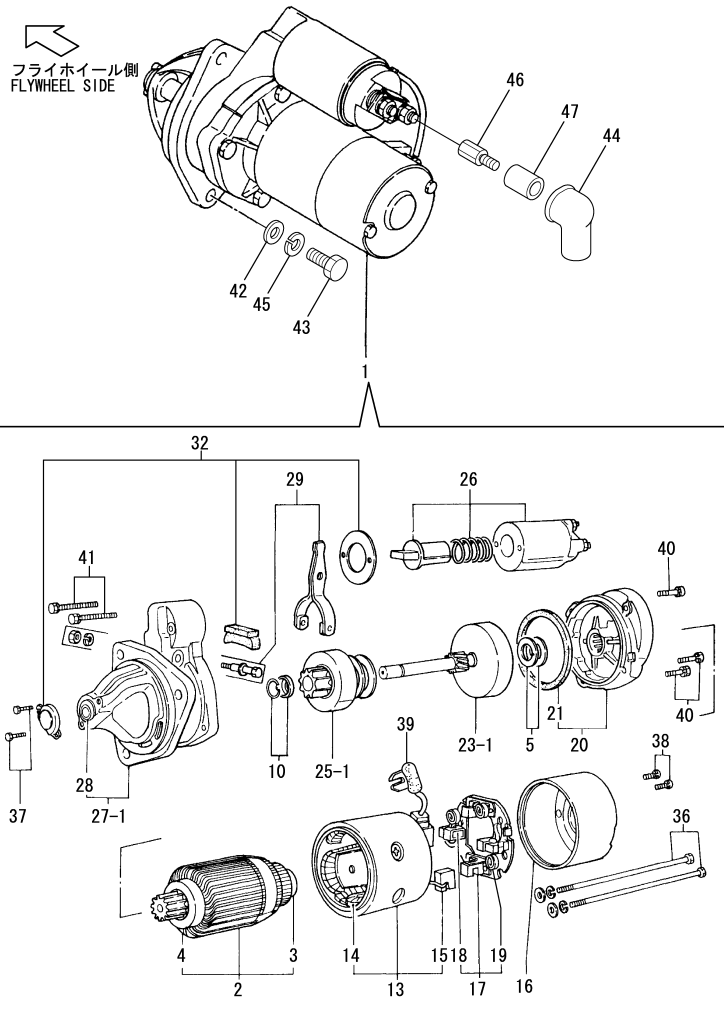
Remarks  
(1)S13-68  
(2)S13-68A  
(3)S13-68C



Fig.36. STARTER MOTOR

(A)=6LY2-STE  
(B)=6LY2A-STP  
(C)=6LY2A-UTP

(D)=  
(E)=  
(F)=



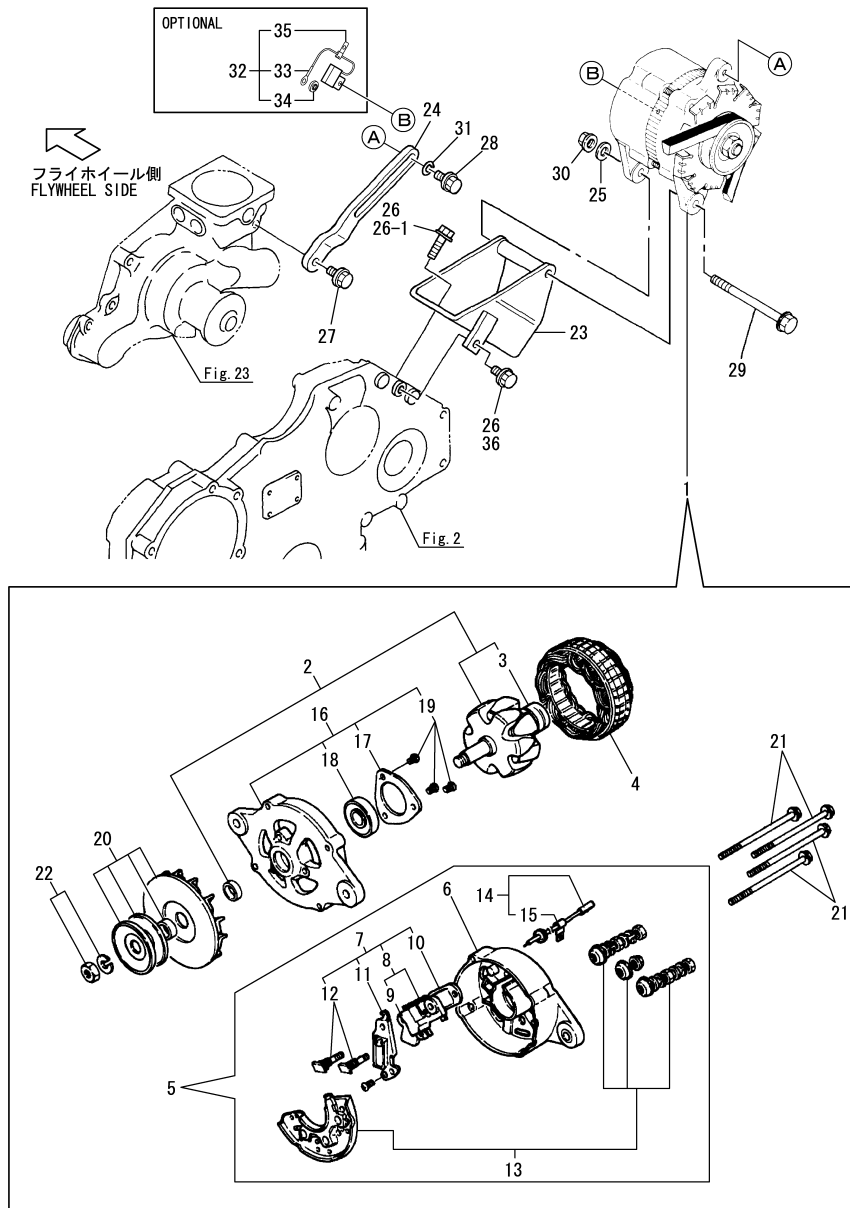
No.	Lev.	Parts No.	Description	Q'ty						I	R
				(A)	(B)	(C)	(D)	(E)	(F)		
32	2	121254-77730	DUST COVER SET	1	1	1					
36	2	121254-77770	BOLT, THROUGH	2	2	2					
37	2	121254-77780	SCREW 5	2	2	2					
38	2	121254-77790	SCREW 4	2	2	2					
39	2	121254-77810	COVER, TERMINAL	1	1	1					
40	2	26106-060302	BOLT, M6X 30 PLATED	3	3	3					
41	2	26106-060452	BOLT, M6X 45 PLATED	2	2	2					
42	1	22137-120000	WASHER, 12	3	3	3					
43	1	26116-120302	BOLT, M12X 30 PLATED	3	3						
43-1	1	26116-120352	BOLT, M12X 35 PLATED	3	3	3					N
		(A=*2003.04.) (B=*2003.04.)									
44	1	124550-77030	COVER, TERMINAL	1	1						
44-1	1	119773-77030	COVER	1	1	1					R
		(A=*2002.01.) (B=*2002.01.)									
45	1	22217-120000	WASHER, SPRING 12	3	3	3					W
		(A=*2003.04.) (B=*2003.04.)									
46	1	119175-77500	BOLT	1	1	1					W
		(A=*2002.12.) (B=E00062)									
47	1	119175-77800	COVER	1	1	1					W
		(A=*2002.12.) (B=E00062)									

Remarks  
(1)S13-68  
(2)S13-68A  
(3)S13-68C

Fig.37. GENERATOR

(A)=6LY2-STE  
(B)=6LY2A-STP  
(C)=6LY2A-UTP

(D)=  
(E)=  
(F)=



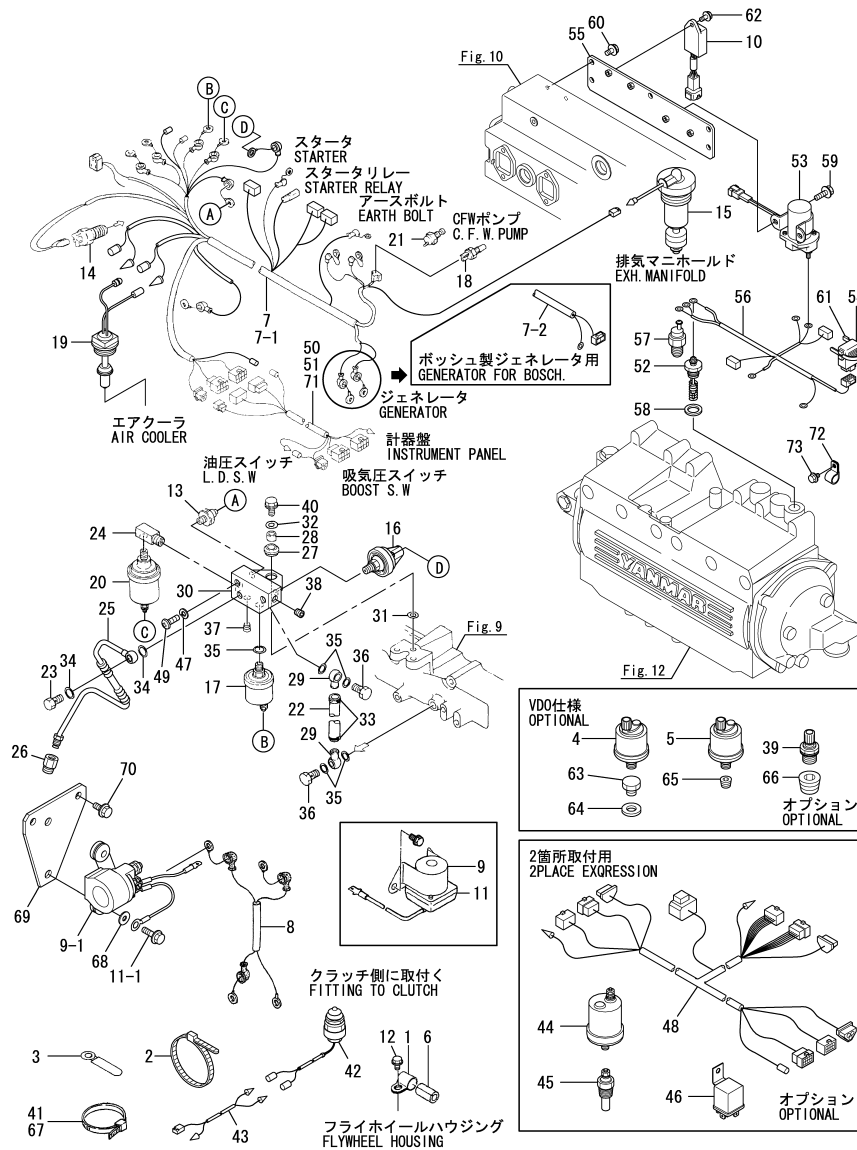
No.	Lev.	Parts No.	Description	Q'ty						I	R
				(A)	(B)	(C)	(D)	(E)	(F)		
1	1	119573-77201	ALTERNATER(12V-80A	1	1						
1-1	1	119573-77201	ALTERNATER(12V-80A		1						Z 2
				(B=E00783)							
2	2	XL180G61000	ROTOR ASSY	1	1						
3	3	119129-77320	BEARING, BALL	1	1						
4	2	XL180120000	STATOR ASSY	1	1						
5	2	XL180G63006	COVER ASSY, REAR	1	1						
6	3	XL180G13012	COVER, REAR	1	1						
7	3	XL180G43150	BRUSH ASSY,REGULATOR	1	1						
8	4	XL155G1330	BRUSH ASSY	1	1						
9	5	XL225G1325	BRUSH SET	2	2						
10	4	124080-77390	REGULATOR ASSY	1	1						
11	4	XL225431800	CONDENSER ASSY	1	1						
12	4	124080-77520	BOLT M5	2	2						
13	3	XL180832000	DIODE ASSY	1	1						
14	3	119129-77250	WIRE, LEAD	1	1						
15	4	119129-77260	CLAMP	1	1						
16	2	XL235340110	COVER ASSY, FRONT	1	1						
17	3	XL150M14041	RETAINER	1	1						
18	3	X6303BM0000	BEARING, BALL	1	1						
19	3	119129-77930	SCREW KIT	1	1						
20	2	XL180G85001	PULLEY ASSY	1	1						
21	2	119129-77890	BOLT, THROUGH	4	4						
22	2	119129-77900	NUT ASSY, PULLEY	1	1						
23	1	119593-77300	BRACKET	1	1						
23-1	1	119593-77301	BRACKET	1	1						N
				(A=E50491) (B=*2001.02.)							
24	1	119593-77330	ADJUSTER, BELT	1	1						
25	1	22137-100000	WASHER, 10	1	1						
26	1	26106-080202	BOLT, M8X 20 PLATED	4	4						
26-1	1	26106-080202	BOLT, M8X 20 PLATED	3	3						K
				(A=*2003.04.) (B=*2003.04.)							
27	1	26106-080222	BOLT, M8X 22 PLATED	1	1						
27-1	1	26013-080252	BOLT, M8X 25	1	1						N
				(A=*2003.04.) (B=*2003.04.)							
28	1	26106-080252	BOLT, M8X 25 PLATED	1	1						
28-1	1	26013-080252	BOLT, M8X 25	1	1						N
				(A=*2003.04.) (B=*2003.04.)							
29	1	26116-101202	BOLT, M10X120 PLATED	1	1						
30	1	26366-100002	NUT, M10	1	1						
30-1	1	26306-100002	NUT, M10	1	1						N
				(A=E50655) (B=*2001.03.)							
31	1	106100-55800	WASHER	1	1						
32	1	119573-77250	CONDENSER ASSY	1	1						1
33	2	119573-77260	CONDENSER	1	1						1
34	2	119573-77270	BUSH	2	2						1
35	2	129772-77280	CLAMP	1	1						1
36	1	26106-080162	BOLT, M8X 16 PLATED	1	1						W
				(A=*2003.04.) (B=*2003.04.)							

Remarks  
(1)Optional parts.  
(2)HITACHI : Up to 2012.6.

Fig.38. WIRE HARNESS & SENSOR

(A)=6LY2-STE  
(B)=6LY2A-STP  
(C)=6LY2A-UTP

(D)=  
(E)=  
(F)=



Remarks

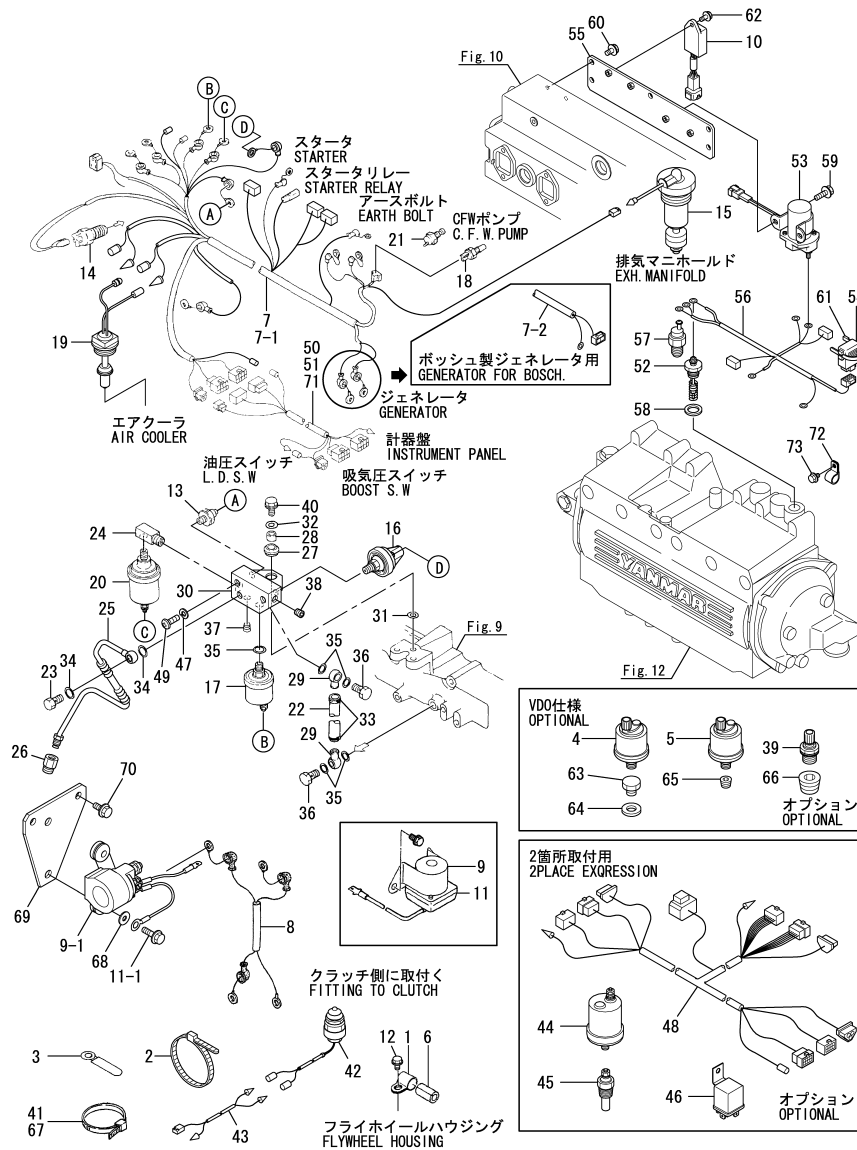
- (1)Optional parts.
- (2)Optional parts. 12v
- (3)VDO spec.(Optional parts)
- (4)Interchangeable by simultaneous replacement with No.9-1, 11-1, 68, 69, 70.
- (5)GENERATOR : spec. of HITACHI.
- (6)GENERATOR : spec. of BOSCH.

No.	Lev.	Parts No.	Description	Q'ty						I	R
				(A)	(B)	(C)	(D)	(E)	(F)		
1	1	124770-49310	RETAINER	1	1	1					
2	1	194250-51660	BAND, NYLON 250	1	1						
2-1	1	194250-51660	BAND, NYLON 250	2	2	2					K
(A=E50748) (B=*2001.02.)											
3	1	105430-67110	CLAMP, CORD	2	2						
3-1	1	105430-67110	CLAMP, CORD	5	5	5					K
(A=E50748) (B=*2001.02.)											
4	1	119773-91600	SENDER	1	1	1					3
5	1	119773-91650	SENSOR	1	1	1					3
6	1	123682-77710	PROTECTOR	1	1	1					
7	1	119575-77812	HARNESS, WIRE	1	1						
7-1	1	119575-77813	HARNESS, WIRE	1	1						N 5
(A=E50748) (B=*2001.02.)											
7-2	1	119575-77814	HARNESS, ENG	1	1	1					S 6
(A=E00783) (B=E00783)											
8	1	119171-77850	HARNESS, WIRE	1	1	1					
9	1	129490-77910	RELAY, STARTER	1	1						
9-1	1	119575-77510	RELAY, STARTER	1	1						F 4
(A=*2004.06.) (B=*2004.06.)											
9-2	1	119575-77511	RELAY, STARTER		1	1					N
(B=E00062)											
10	1	119773-91400	CONTROLLER	2	2	2					
11	1	26106-060122	BOLT, M6X 12 PLATED	2	2						
11-1	1	26106-060202	BOLT, M6X 20 PLATED	2	2	2					F 4
(A=*2004.06.) (B=*2004.06.)											
12	1	26106-080162	BOLT, M8X 16 PLATED	1	1	1					
13	1	124060-39452	SWITCH, 0.2KG	1	1	1					
14	1	128170-91160	SENSOR	1	1	1					
15	1	127695-91220	SENSOR	1	1	1					
16	1	119595-91290	SWITCH, PRESSURE	1	1	1					
17	1	119773-91300	SENSOR	1	1						
17-1	1	119773-91301	SENSOR	1	1	1					N
(A=E50491) (B=*2001.01.)											
18	1	127610-91350	SWITCH, 95	1	1	1					
19	1	129593-91420	SENSOR	1	1	1					
20	1	119773-91500	SENDER	1	1						
20-1	1	119773-91501	SENSOR, PRESSURE	1	1	1					N
(A=E50112) (B=*2000.07.)											
21	1	144626-91570	SENDER UNIT	1	1	1					
22	1	119574-18490	HOSE	1	1						
22-1	1	119593-18490	JOINT	1	1	1					N
(A=*2008.12.) (B=*2008.12.)											
23	1	124160-39140	BOLT, PIPE JOINT M10	1	1	1					
24	1	123482-39670	DAMPER CMP	1	1	1					
25	1	119595-39750	PIPE, OIL	1	1						
25-1	1	119595-39751	PIPE ASSY, OIL	1	1	1					N
(A=E50105) (B=*2000.03.)											
26	1	119574-39770	JOINT	1	1	1					
27	1	105100-55501	RUBBER, CUSHION	3	3	3					
28	1	105100-55540	COLLAR	3	3	3					
29	1	101304-59020	JOINT, PIPE 12	2	2	2					

Fig.38. WIRE HARNESS & SENSOR

(A)=6LY2-STE  
(B)=6LY2A-STP  
(C)=6LY2A-UTP

(D)=  
(E)=  
(F)=



Remarks

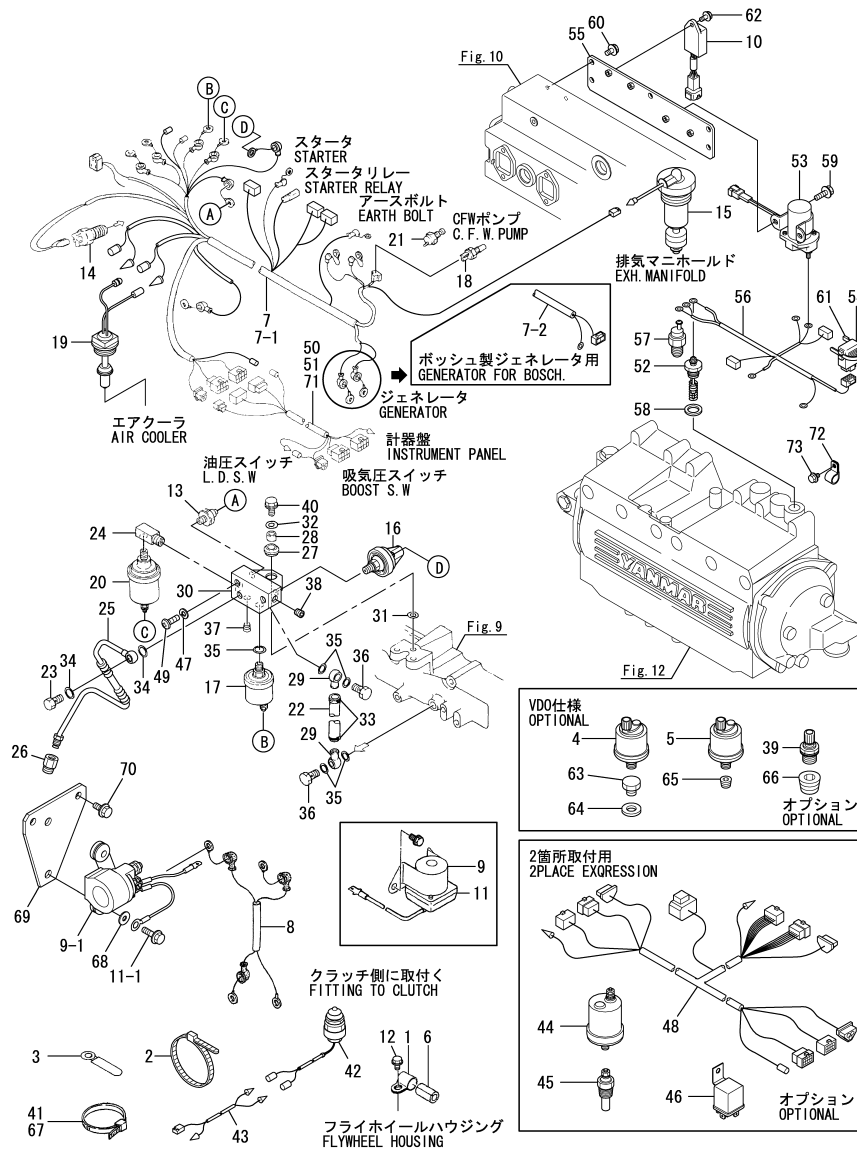
- (1)Optional parts.
- (2)Optional parts. 12v
- (3)VDO spec.(Optional parts)
- (4)Interchangeable by simultaneous replacement with No.9-1, 11-1, 68, 69, 70.
- (5)GENERATOR : spec. of HITACHI.
- (6)GENERATOR : spec. of BOSCH.

No.	Lev.	Parts No.	Description	Q'ty						I	R
				(A)	(B)	(C)	(D)	(E)	(F)		
30	1	119574-91011	BRACKET	1	1						
30-1	1	119594-91011	BRACKET	1	1	1					N
				(A=*2008.12.)		(B=*2008.12.)					
31	1	22137-080000	WASHER, 8	3	3	3					
32	1	22157-080000	WASHER, 8	3	3	3					
33	1	23000-013000	CLAMP, 13	2	2						
33-1	1	119172-48130	CLIP, HOSE 13	2	2	2					N
				(A=*2002.02.)		(B=E00062)					
34	1	23414-100000	GASKET, 10X1.0	2	2	2					
35	1	23414-120000	GASKET, 12X1.0	5	5	5					
36	1	23851-060000	JOINT BOLT 6	2	2						
36-1	1	23857-060000	BOLT, JOINT 6	2	2	2					R
				(A=*2010.09.)		(B=*2010.09.)					
37	1	23876-010000	PLUG, R01	1	1	1					
38	1	23876-010000	PLUG, R01	1	1	1					
39	1	119773-91700	SENDER	1	1	1					3
40	1	26106-080202	BOLT, M8X 20 PLATED	3	3	3					
41	1	121750-59890	BAND, NYLON	2	2	2					1
42	1	120270-77101	SWITCH, SAFETY	1	1						1
42-1	1	120270-77102	SWITCH, SAFETY	1	1	1					N 1
				(A=*2007.07.)		(B=E01230)					
43	1	119573-77850	HARNESS, WIRE	1	1	1					1
44	1	129574-91560	SENSOR	1	1						1
44-1	1	129574-91561	SENSOR, PRESSURE	1	1	1					R 1
				(A=E50655)		(B=*2001.02.)					
45	1	129574-91570	SENSOR, TEMPERATURE	1	1	1					1
46	1	119773-91850	RELAY, DC12V	1	1	1					1
47	1	22217-050000	WASHER, SPRING 5	1	1	1					
48	1	129574-77980	HARNESS, WIRE	1	1	1					2
49	1	26557-050082	SCREW, M5X 8	1	1	1					
50	1	129574-77710	HARNESS, WIRE 4M	1	1	1					1
51	1	129574-77720	HARNESS, WIRE 6M	1	1	1					1
52	1	119575-77050	PLUG, HEATER	2	2	2					
53	1	119575-77060	RELAY, HEATER	1	1	1					
54	1	119575-77070	CONTROLLER	1	1						
54-1	1	119575-77071	CONTROLLER	1	1	1					N
				(A=E50107)		(B=*2000.06.)					
55	1	119575-77551	BRACKET	1	1	1					
56	1	119575-77910	HARNESS, WIRE	1	1						
56-1	1	119575-77911	HARNESS, HEATER RELAY	1	1	1					N
				(A=*2012.08.)		(B=E00756)					
57	1	124616-91370	SWITCH, 42	1	1	1					
58	1	23414-200000	GASKET, 20X1.0	2	2	2					
59	1	26106-060122	BOLT, M6X 12 PLATED	2	2	2					
60	1	26106-080142	BOLT, M8X 14 PLATED	5	5	5					
61	1	29622-250001	BAND, RF250	2	2	2					
62	1	26106-060142	BOLT, M6X 14 PLATED	2	2	2					
63	1	23887-120002	PLUG, 12	1	1	1					W 3
				(A=E50122)		(B=*2000.09.)					
64	1	23414-120000	GASKET, 12X1.0	1	1	1					W 3
				(A=E50122)		(B=*2000.09.)					

Fig.38. WIRE HARNESS & SENSOR

(A)=6LY2-STE  
(B)=6LY2A-STP  
(C)=6LY2A-UTP

(D)=  
(E)=  
(F)=



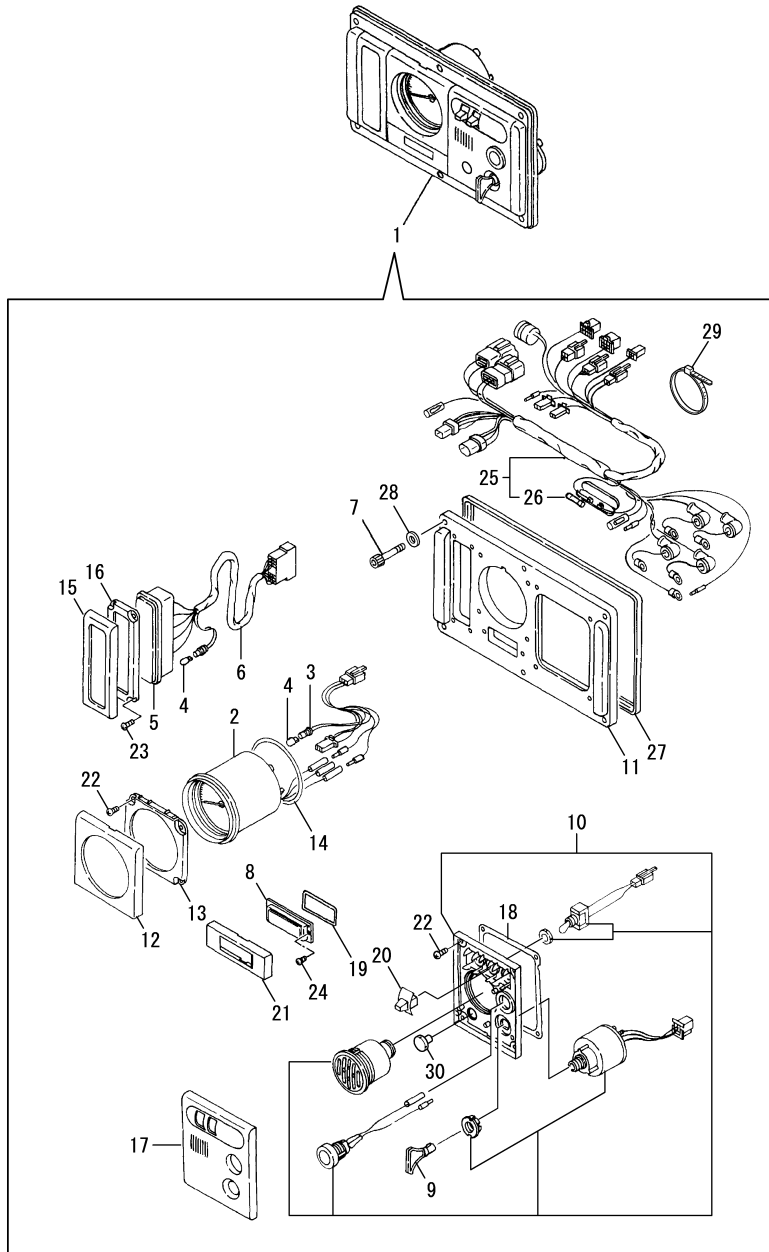
No.	Lev.	Parts No.	Description	Q'ty						I	R
				(A)	(B)	(C)	(D)	(E)	(F)		
65	1	23871-020000 (A=E50122)	PLUG, R02 (B=*2000.09.)	1	1	1				W	3
66	1	23871-030000 (A=E50122)	PLUG, R03 (B=*2000.09.)	1	1	1				W	3
67	1	121750-59890 (A=E50748)	BAND, NYLON (B=*2001.02.)	4	4	4				W	
68	1	183350-55130 (A=*2004.06.)	WASHER (B=*2004.06.)	2	2	2				W	4
69	1	119575-77200 (A=*2004.06.)	BRACKET, RELAY (B=*2004.06.)	1	1	1				W	4
70	1	26106-060142 (A=*2004.06.)	BOLT, M6X 14 PLATED (B=*2004.06.)	2	2	2				W	4
71	1	129574-77740 (A=*2001.12.)	HARNESS, WIRE 10M (B=E00074)	1	1	1				W	
72	1	119593-39450 (A=*2009.05.)	RETAINER, PIPE (B=*2009.05.)	1	1	1				W	
73	1	26106-080122 (A=*2009.05.)	BOLT, M8X 12 PLATED (B=*2009.05.)	1	1	1				W	

- Remarks  
 (1)Optional parts.  
 (2)Optional parts. 12v  
 (3)VDO spec.(Optional parts)  
 (4)Interchangeable by simultaneous replacement with No.9-1, 11-1, 68, 69, 70.  
 (5)GENERATOR : spec. of HITACHI.  
 (6)GENERATOR : spec. of BOSCH.

Fig.39. INSTRUMENT PANEL(B-TYPE)

(A)=6LY2-STE  
(B)=6LY2A-STP  
(C)=6LY2A-UTP

(D)=  
(E)=  
(F)=

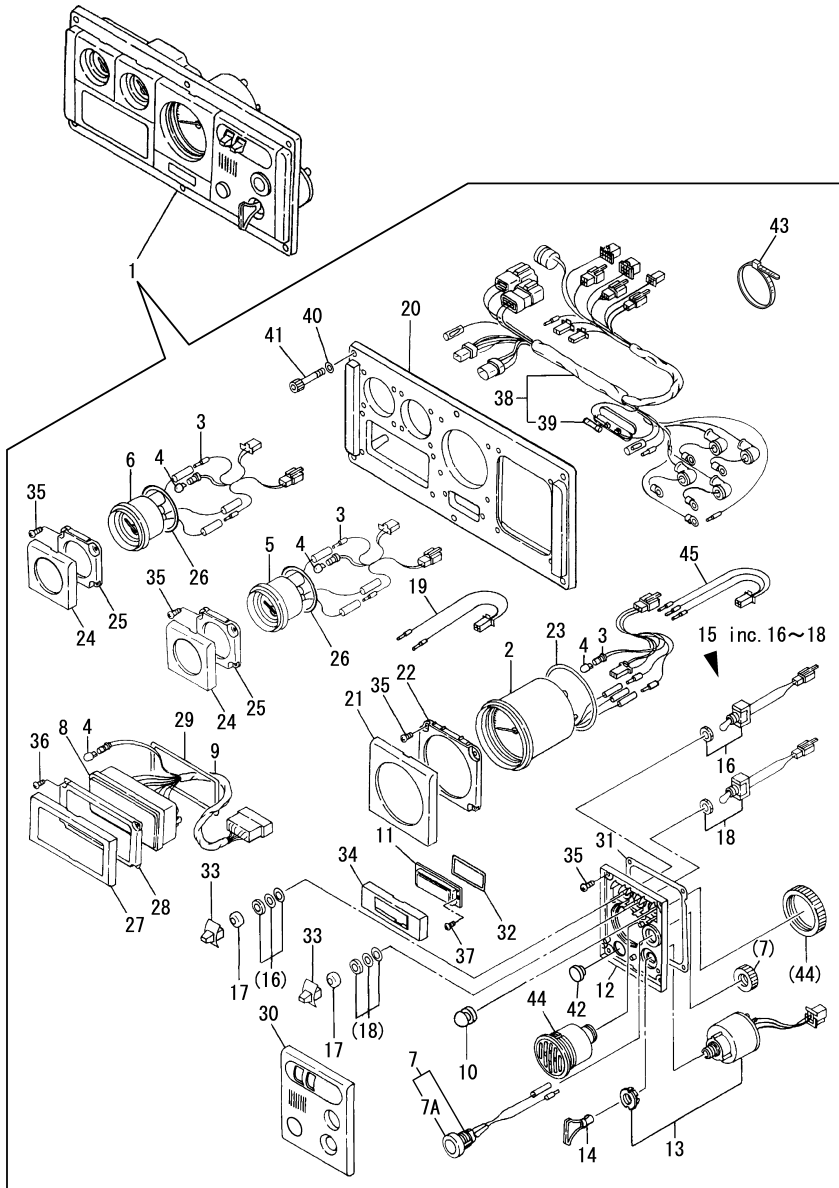


No.	Lev.	Parts No.	Description	Q'ty						I	R
				(A)	(B)	(C)	(D)	(E)	(F)		
1	1	119575-91131	PANEL, INSTRUMENT B	1	1	1					
2	2	119573-91200	METER KIT	1	1	1					
3	2	129574-91870	HARNESS, WIRE	1	1	1					
4	2	124617-91980	BULB, 12V-1.7W	7	7	7					
5	2	119575-91261	BOX ASSY, PILOT	1	1	1					
6	2	120130-91860	WIRE	1	1	1					
7	2	127687-91870	BOLT, M6X35	6	6	6					
8	2	129170-91650	COVER	1	1	1					
9	2	123482-91291	KEY	1	1	1					
10	2	129470-91191	BOX ASSY	1	1	1					
11	2	128391-91930	PANEL	1	1	1					
12	2	129574-91620	BEZEL	1	1	1					
13	2	129574-91420	BRACKET	1	1	1					
14	2	129574-91720	GASKET	1	1	1					
15	2	128391-91640	BEZEL	1	1	1					
16	2	128391-91440	PLATE	1	1	1					
17	2	129170-91610	BEZEL	1	1	1					
18	2	129574-91710	GASKET	1	1	1					
19	2	129574-91750	GASKET	1	1	1					
20	2	129574-91770	KNOB	2	2	2					
21	2	129574-91650	BEZEL	1	1	1					
22	2	127692-91410	SCREW	8	8	8					
23	2	127692-91440	SCREW	4	4	4					
24	2	127692-91450	SCREW	2	2	2					
25	2	119575-91851	HARNESS, WIRE	1	1	1					
26	3	124617-91990	FUSE	1	1	1					
27	2	128391-91700	GASKET	1	1	1					
28	2	127687-91880	WASHER	6	6	6					
29	2	198451-78680	CLAMP, CORD	1	1	1					
30	2	129574-91760	COVER	1	1	1					

Fig.40. INSTRUMENT PANEL(C-TYPE)

(A)=6LY2-STE  
(B)=6LY2A-STP  
(C)=6LY2A-UTP

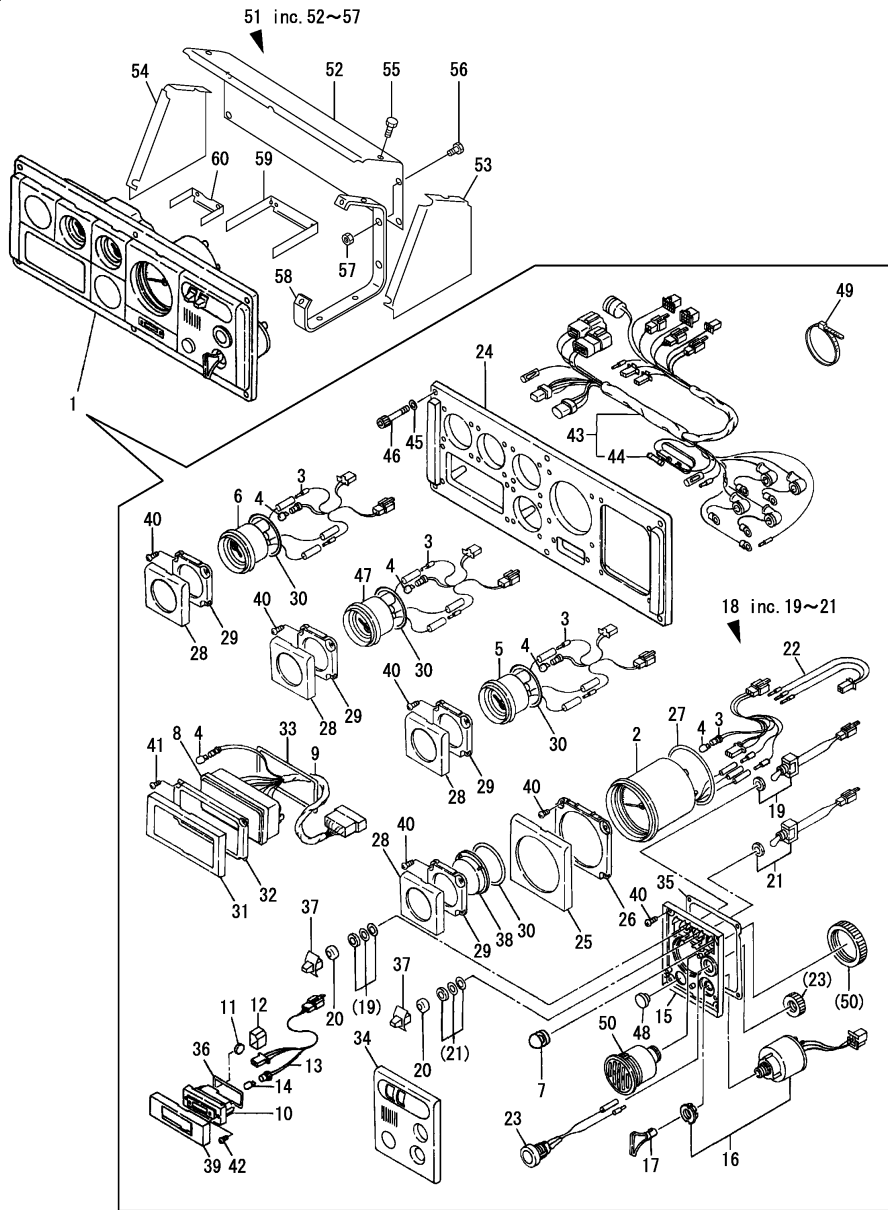
(D)=  
(E)=  
(F)=



No.	Lev.	Parts No.	Description	Q'ty						I	R
				(A)	(B)	(C)	(D)	(E)	(F)		
1	1	127675-91163	PANEL, INSTRUMENT C	1	1						
1-1	1	127675-91164	PANEL, INSTRUMENT C	1	1	1					R
		(A=*2001.10.) (B=E00070)									
2	2	119573-91200	METER KIT	1	1	1					
3	2	129574-91870	HARNESS, WIRE	3	3	3					
4	2	124617-91980	BULB, 12V-1.7W	11	11	11					
5	2	129574-91210	METER, WATER TEMP.	1	1	1					
6	2	129574-91221	METER	1	1						
6-1	2	129574-91222	METER, OIL PRESSUER	1	1	1					R
		(A=*2001.10.) (B=E00070)									
7	2	129470-91190	SWITCH, STOP	1	1	1					
7A	3	129470-91210	CAP, RUBBER STOP	1	1	1					W
		(A=*2014.05.) (B=*2014.05.)									
8	2	119189-91262	BOX ASSY, PILOT	1	1	1					
9	2	129574-91862	HARNESS, WIRE	1	1	1					
10	2	129170-91810	COVER	1	1	1					
11	2	129170-91650	COVER	1	1	1					
12	2	129574-91410	BRACKET, SWITCH	1	1	1					
13	2	121575-91250	SWITCH, KEY	1	1	1					
14	2	123482-91291	SWITCH, KEY	1	1	1					
15	2	129470-91191	BOX ASSY	1	1	1					
16	3	129170-91800	SWITCH	1	1	1					
17	3	129574-91780	CAP, RUBBER	2	2	2					
18	3	129574-91790	SWITCH	1	1	1					
19	2	129170-91890	HARNESS, WIRE	1	1	1					
20	2	129170-91930	PANEL	1	1	1					
21	2	129574-91620	BEZEL	1	1	1					
22	2	129574-91420	BRACKET	1	1	1					
23	2	129574-91720	GASKET	1	1	1					
24	2	129574-91630	BEZEL	2	2	2					
25	2	129574-91430	BRACKET	2	2	2					
26	2	129574-91730	GASKET	2	2	2					
27	2	129574-91640	BEZEL	1	1	1					
28	2	129574-91440	BRACKET	1	1	1					
29	2	129574-91740	GASKET	1	1	1					
30	2	129170-91610	BEZEL	1	1	1					
31	2	129574-91710	GASKET	1	1	1					
32	2	129574-91750	GASKET	1	1	1					
33	2	129574-91770	KNOB	2	2	2					
34	2	129574-91650	BEZEL	1	1	1					
35	2	127692-91410	SCREW	16	16	16					
36	2	127692-91440	SCREW	4	4	4					
37	2	127692-91450	SCREW	2	2	2					
38	2	129574-91852	HARNESS, WIRE	1	1	1					
39	3	124617-91990	FUSE(3A)	1	1	1					
40	2	127687-91880	WASHER	6	6	6					
41	2	127687-91870	BOLT, M6X35	6	6	6					
42	2	129574-91760	COVER	1	1	1					
43	2	198451-78680	CLAMP, CORD	2	2	2					
44	2	104271-91352	BUZZER 12V	1	1	1					
45	2	129574-91890	HARNESS, WIRE	1	1	1					

N:Old  $\xrightarrow{\text{Yes}}$  New, Q:Old  $\xrightarrow{\text{No}}$  New, R:Old  $\xrightarrow{\text{Yes}}$  New, S:Old  $\xrightarrow{\text{No}}$  New, W:Add, Z:Discontinued, F:Interchangeable by set, K:Q'ty Change

Fig.41. INSTRUMENT PANEL(D-TYPE)



(A)=6LY2-STE  
(B)=6LY2A-STP  
(C)=6LY2A-UTP

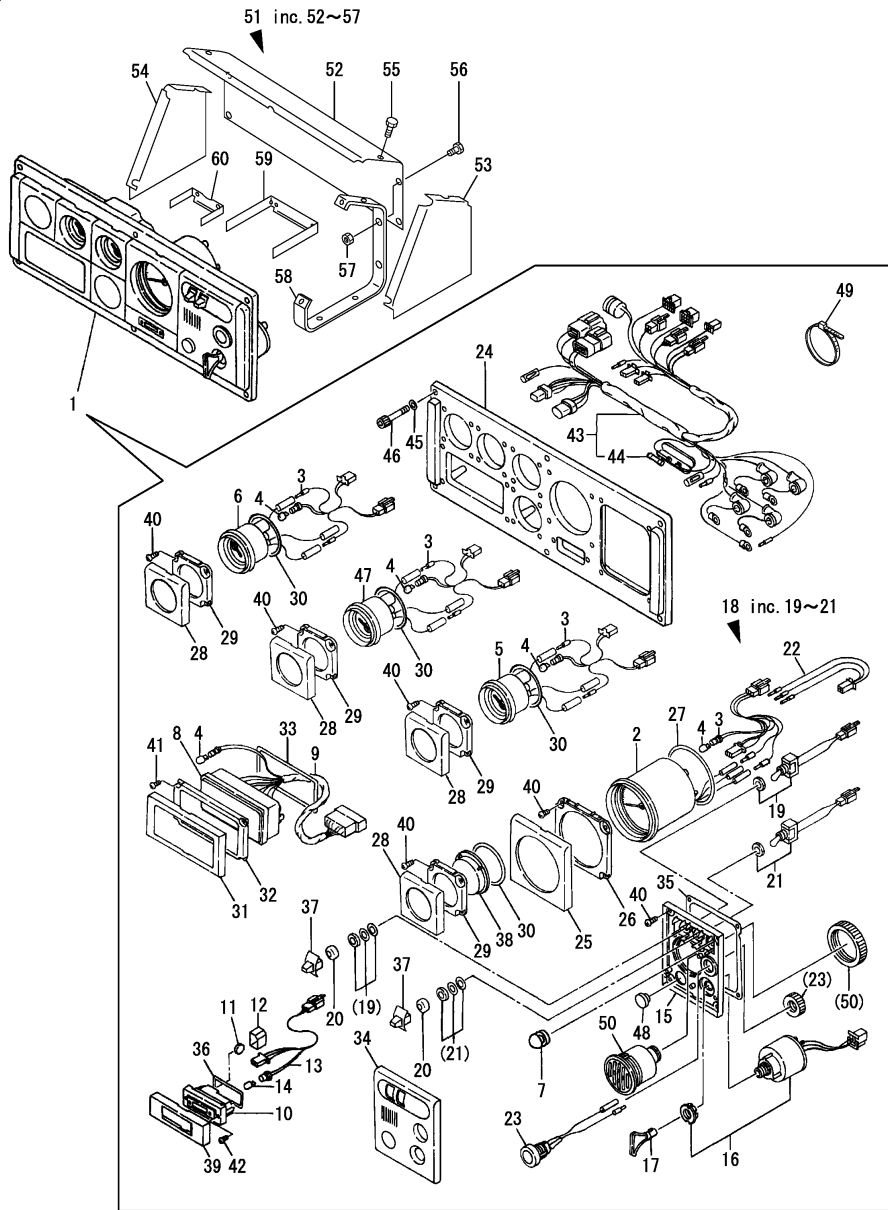
(D)=  
(E)=  
(F)=

No.	Lev.	Parts No.	Description	Q'ty						I	R
				(A)	(B)	(C)	(D)	(E)	(F)		
1	1	127675-91193	PANEL, INSTRUMENT D	1	1						
1-1	1	127675-91194	PANEL, INSTRUMENT D	1	1	1					N
		(A=*2001.10.) (B=E00070)									
2	2	119573-91200	METER KIT	1	1	1					
3	2	129574-91870	HARNESS, WIRE	4	4	4					
4	2	124617-91980	BULB, 12V-1.7W	12	12	12					
5	2	129574-91210	METER, WATER TEMP.	1	1	1					
6	2	129574-91311	METER	1	1	1					
7	2	129170-91810	COVER	1	1	1					
8	2	119189-91262	BOX ASSY, PILOT	1	1	1					
9	2	129574-91862	HARNESS, WIRE	1	1	1					
10	2	129574-91240	CLOCK	1	1	1					
11	2	127620-91250	CELL	1	1	1					
12	2	129574-91490	HOLDER	1	1	1					
13	2	129574-91880	HARNESS, WIRE	1	1	1					
14	2	120147-91760	BULB	1	1	1					
15	2	129574-91410	BRACKET, SWITCH	1	1	1					
16	2	121575-91250	SWITCH, KEY	1	1	1					
17	2	123482-91291	SWITCH, KEY	1	1	1					
18	2	129470-91191	BOX ASSY	1	1	1					
19	3	129170-91800	SWITCH	1	1	1					
20	3	129574-91780	CAP, RUBBER	2	2	2					
21	3	129574-91790	SWITCH	1	1	1					
22	2	129574-91890	HARNESS, WIRE	1	1	1					
23	2	129470-91190	SWITCH, STOP	1	1	1					
24	2	129574-91930	PANEL	1	1	1					
25	2	129574-91620	BEZEL	1	1	1					
26	2	129574-91420	BRACKET	1	1	1					
27	2	129574-91720	GASKET	1	1	1					
28	2	129574-91630	BEZEL	4	4	4					
29	2	129574-91430	BRACKET	4	4	4					
30	2	129574-91730	GASKET	4	4	4					
31	2	129574-91640	BEZEL	1	1	1					
32	2	129574-91440	BRACKET	1	1	1					
33	2	129574-91740	GASKET	1	1	1					
34	2	129170-91610	BEZEL	1	1	1					
35	2	129574-91710	GASKET	1	1	1					
36	2	129574-91750	GASKET	1	1	1					
37	2	129574-91770	KNOB	2	2	2					
38	2	129574-91600	COVER	1	1	1					
39	2	129574-91650	BEZEL	1	1	1					
40	2	127692-91410	SCREW	24	24	24					
41	2	127692-91440	SCREW	4	4	4					
42	2	127692-91450	SCREW	2	2	2					
43	2	129574-91852	HARNESS, WIRE	1	1	1					
44	3	124617-91990	FUSE(3A)	1	1	1					
45	2	127687-91880	WASHER	6	6	6					
46	2	127687-91870	BOLT, M6X35	6	6	6					
47	2	129574-91221	METER	1	1						
47-1	2	129574-91222	METER, OIL PRESSUER	1	1	1					N
		(A=*2001.10.) (B=E00070)									

Remarks  
(1)Optional parts.  
(2)Not needed when mounting on the side.



Fig.41. INSTRUMENT PANEL(D-TYPE)



(A)=6LY2-STE  
(B)=6LY2A-STP  
(C)=6LY2A-UTP

(D)=  
(E)=  
(F)=

No.	Lev.	Parts No.	Description	Q'ty						I	R
				(A)	(B)	(C)	(D)	(E)	(F)		
48	2	129574-91760	COVER	1	1	1					
49	2	198451-78680	CLAMP, CORD	3	3	3					
50	2	104271-91352	BUZZER 12V	1	1	1					
51	1	127692-91900	COVER, PANEL	1	1	1					1
52	2	127692-91950	COVER, PANEL	1	1	1					
53	2	129574-91960	COVER, PANEL	1	1	1					
54	2	129574-91970	COVER, PANEL	1	1	1					
55	2	26559-060122	SCREW, M6X12	2	2	2					
56	2	26556-060122	SCREW M 6X12	4	4	4					2
57	2	26716-060002	NUT, M6	4	4	4					2
58	1	129574-91530	BRACKET, PANEL	2	2	2					1
59	1	129574-91540	BRACKET	1	1	1					1
60	1	129574-91550	BRACKET	1	1	1					1

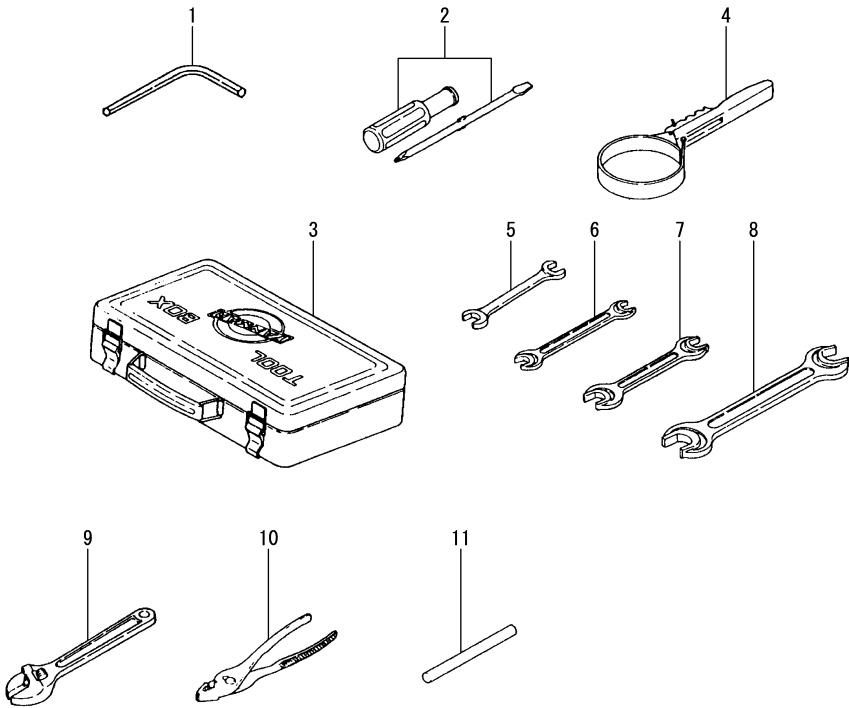
Remarks

- (1)Optional parts.
- (2)Not needed when mounting on the side.

Fig.42. TOOLS

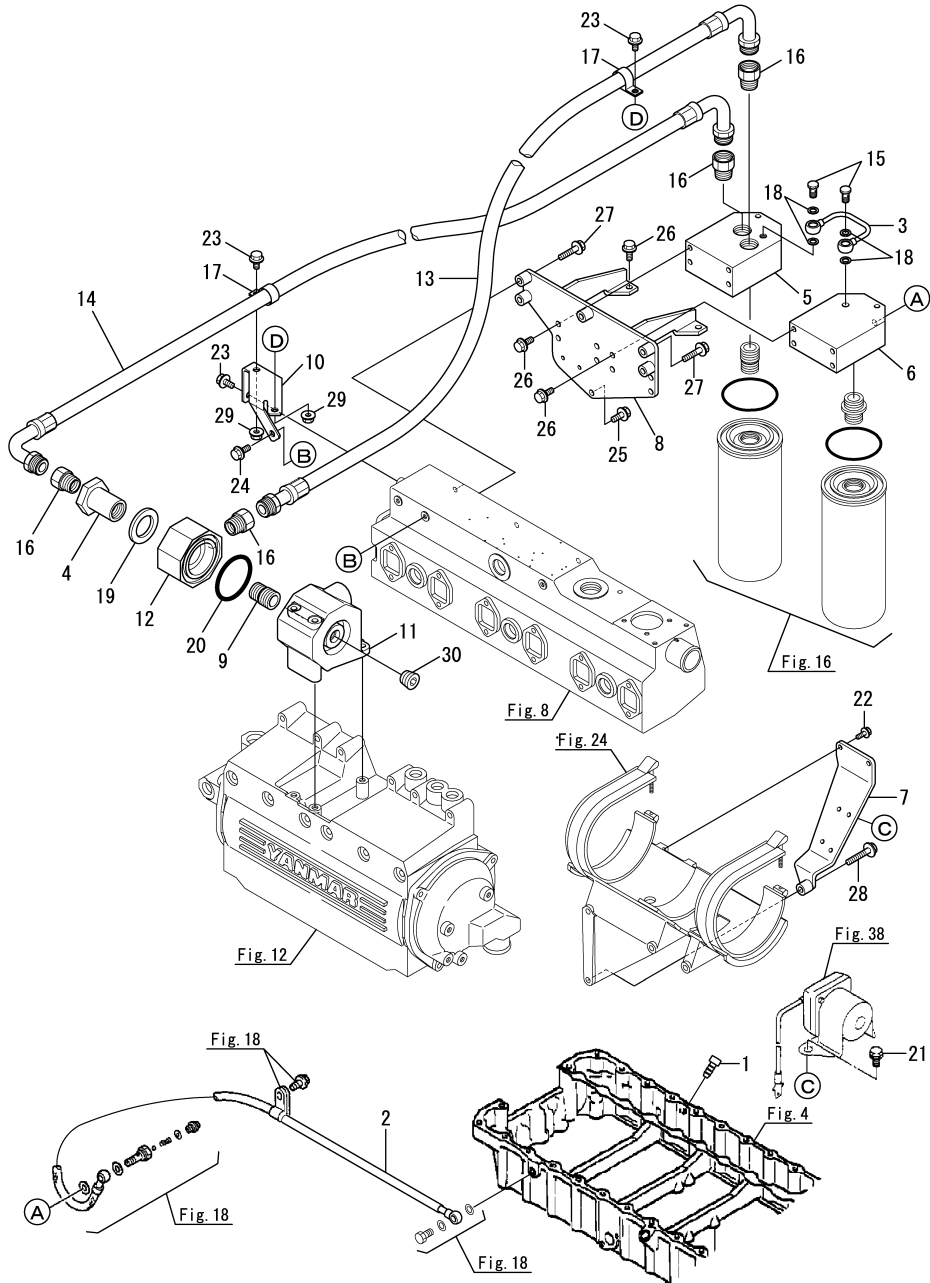
(A)=6LY2-STE  
(B)=6LY2A-STP  
(C)=6LY2A-UTP

(D)=  
(E)=  
(F)=



No.	Lev.	Parts No.	Description	Q'ty						I	R
				(A)	(B)	(C)	(D)	(E)	(F)		
1	1	177040-09050	WRENCH	1	1						
2	1	104200-92350	SCREW-DRIVER	1	1						
3	1	122210-92600	BOX, TOOL	1	1						
3-1	1	122210-92601	BOX	1	1						R
		(A=*2005.06.) (B=E00119)									
3-2	1	148920-92600	BOX, SPARES&TOOLS	1							R
		(A=*2014.10.)									
4	1	127610-92750	WRENCH, FILTER	1	1						
4-1	1	133615-92350	WRENCH	1	1						R
		(A=*2013.03.) (B=E00916)									
5	1	28110-100130	SPANNER, 10X13	1	1						
6	1	28110-120140	SPANNER, 12X14	1	1						
7	1	28110-170190	SPANNER, 17X19	1	1						
8	1	28110-220240	SPANNER, 22X24	1	1						
9	1	28120-002000	WRENCH, 200	1	1						
10	1	28170-001500	PLIER	1	1						
11	1	28230-120300	HANDLE, TURN 12X300	1	1						

Fig.43. REMOTE LUB. OIL STRAINER(OPTIONAL)



(A)=6LY2-STE  
(B)=6LY2A-STP  
(C)=6LY2A-UTP

(D)=  
(E)=  
(F)=

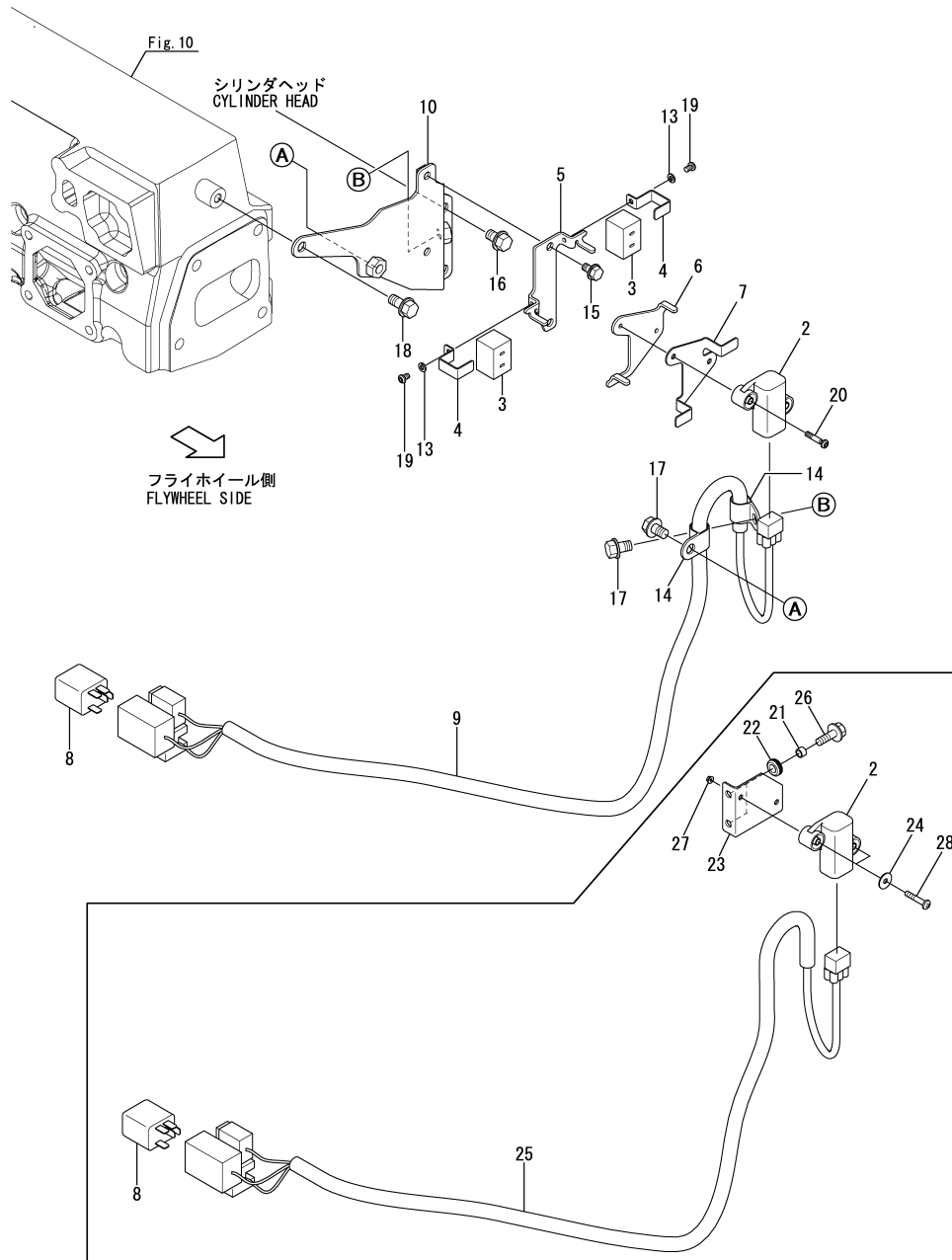
No.	Lev.	Parts No.	Description	Q'ty						I	R
				(A)	(B)	(C)	(D)	(E)	(F)		
1	1	124976-34850	CAP		1						
2	1	119575-35000	PIPE ASSY, OIL		1						
3	1	119575-35010	PIPE, OIL		1						
4	1	119575-35050	JOINT, REMOTE		1						
5	1	119575-35100	BRACKET		1						
6	1	119575-35110	BRACKET		1						
7	1	119575-35120	BRACKET		1						
8	1	119575-35150	BRACKET (B=*2002.06.)		1						W
9	1	119593-35150	BRACKET		1						
10	1	119575-35160	STAY		1						
11	1	119574-35200	BRACKET		1						
11-1	1	119595-35200	BRACKET (B=*2009.02.)		1						R
12	1	119575-35200	ADAPTER, FILTER		1						
13	1	119575-35300	PIPE, OIL		1						
14	1	119575-35310	PIPE, OIL		1						
15	1	124160-39140	BOLT, PIPE JOINT M10		2						
16	1	119574-39200	JOINT		4						
17	1	124770-49310	RETAINER		2						
18	1	23414-100000	GASKET, 10X1.0		4						
19	1	23414-360000	GASKET, 36X1.0		1						
20	1	24311-000700	O-RING, 1AP70.0		1						
21	1	26106-060122	BOLT, M6X 12 PLATED		2						
22	1	26106-060162	BOLT, M6X 16 PLATED		2						
23	1	26106-080162	BOLT, M8X 16 PLATED		3						
24	1	26106-080202	BOLT, M8X 20 PLATED		1						
25	1	26106-080202	BOLT, M8X 20 PLATED		1						
26	1	26106-080202	BOLT, M8X 20 PLATED		10						
27	1	26106-080352	BOLT, M8X 35 PLATED		5						
28	1	26106-080452	BOLT, M8X 45 PLATED		1						
29	1	26306-080002	NUT, M8		2						
30	1	23876-040000	PLUG, R04		1						W

(B=\*2009.02.)

Fig.44. TURNOVER SWITCH(SOLAS : OPTIONAL)

(A)=6LY2-STE  
(B)=6LY2A-STP  
(C)=6LY2A-UTP

(D)=  
(E)=  
(F)=



No.	Lev.	Parts No.	Description	Q'ty						I	R
				(A)	(B)	(C)	(D)	(E)	(F)		
2	1	119175-91510	SWITCH		1	1					
3	1	119175-91560 (B=*2012.03.)	CUSHION		2						Z
4	1	119175-91600 (B=*2012.03.)	SUPPORT		2						Z
5	1	119175-91630 (B=*2012.03.)	BRACKET		1						Z
6	1	119175-91640 (B=*2012.03.)	BRACKET		1						Z
7	1	119175-91650 (B=*2012.03.)	BRACKET		1						Z
8	1	119773-91850	RELAY		1	1					
9	1	119574-99440 (B=*2012.03.)	WIREHARNES,SW		1						Z
10	1	119574-99451 (B=*2012.03.)	BRACKET,SWITCH		1						Z
13	1	22217-040000 (B=*2012.03.)	WASHER, SPRING 4		2						Z
14	1	23297-140081 (B=*2012.03.)	CLAMP, A14X 8		2						Z
15	1	26106-060102 (B=*2012.03.)	BOLT, M6X 10 PLATED		2						Z
16	1	26106-080122 (B=*2012.03.)	BOLT, M8X 12 PLATED		2						Z
17	1	26106-080122 (B=*2012.03.)	BOLT, M8X 12 PLATED		2						Z
18	1	26106-080162 (B=*2012.03.)	BOLT, M8X 16 PLATED		1						Z
19	1	26557-040062 (B=*2012.03.)	SCREW, M4X 6		2						Z
20	1	26557-040202 (B=*2012.03.)	SCREW, M4X20		2						Z
21	1	105100-55540 (B=*2012.03.)	COLLAR		2	2					W
22	1	127677-77400 (B=*2012.03.)	RUBBER, CUSHION		2	2					W
23	1	119574-99010 (B=*2012.03.)	BRACKET,SWITCH		1	1					W
24	1	119574-99020 (B=*2012.03.)	WASHER		2	2					W
25	1	119574-99441 (B=*2012.03.)	HARNES, WIRE T/O SW		1	1					W
26	1	26106-080222 (B=*2012.03.)	BOLT, M8X 22 PLATED		2	2					W
27	1	26366-040002 (B=*2012.03.)	NUT, M8		2	2					W
28	1	26557-040252 (B=*2012.03.)	SCREW, M4X25		2	2					W

Remarks

\* This figuer was added as SOLAS spec(optional).

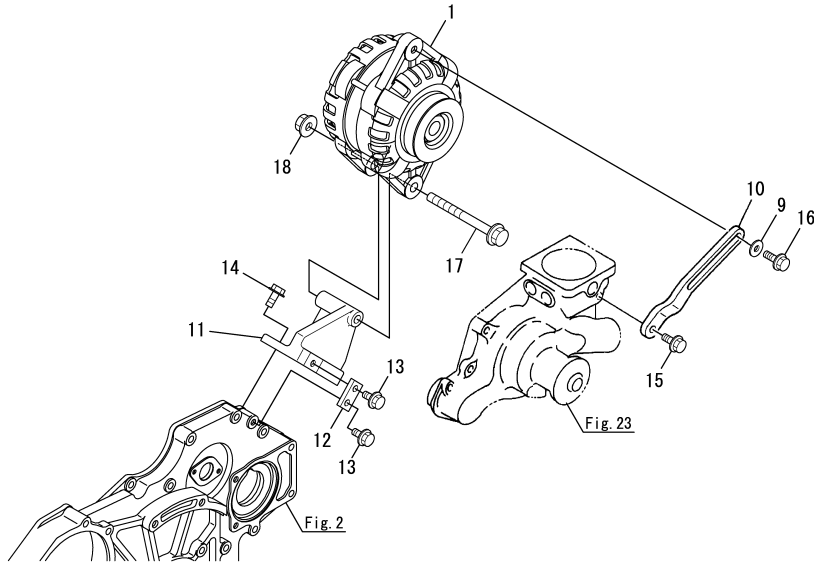
N:Old  $\xrightarrow{\text{Yes}}$  New, Q:Old  $\xrightarrow{\text{No}}$  New, R:Old  $\xrightarrow{\text{Yes}}$  New, S:Old  $\xrightarrow{\text{No}}$  New, W:Add, Z:Discontinued, F:Interchangeable by set, K:Q'ty Change

Fig.45. GENERATOR(BOSCH)

(A)=6LY2-STE  
(B)=6LY2A-STP  
(C)=6LY2A-UTP

(D)=  
(E)=  
(F)=

No.	Lev.	Parts No.	Description	Q'ty						I	R	
				(A)	(B)	(C)	(D)	(E)	(F)			
1	1	129908-77200 (B=E00783)	ALTERNATOR 12V	1	1						W	1
9	1	106100-55800	WASHER		1	1						
10	1	119593-77330	ADJUSTER, BELT		1	1						
11	1	119595-77350	BRACKET, ALTERNATOR		1	1						
12	1	119595-77370	STAY, BRACKET		1	1						
13	1	26106-080162	BOLT, M8X 16 PLATED		2	2						
14	1	26106-080202	BOLT, M8X 20 PLATED		3	3						
15	1	26106-080222	BOLT, M8X 22 PLATED		1	1						
16	1	26106-080252	BOLT, M8X 25 PLATED		1	1						
17	1	26106-101052	BOLT, M10X105 PLATED		1	1						
18	1	26306-100002	NUT, M10		1	1						



Remarks

(1)BOSCH : from 2012.7.

Fig.46. BILGE PUMP(OPTIONAL)

(A)=6LY2-STE  
(B)=6LY2A-STP  
(C)=6LY2A-UTP

(D)=  
(E)=  
(F)=

No.	Lev.	Parts No.	Description	Q'ty						I	R
				(A)	(B)	(C)	(D)	(E)	(F)		
1	1	977780-01211 (A=*1997.01.) (B=*1997.01.)	PUMP ASSY, BILGE	1	1	1					W
2	2	X0318101004	MOTOR ASSY, BILGE	1	1	1					
3	2	X158606410X	SWITH	1	1	1					
4	3	X8636015001	FUSE	1	1	1					
5	2	X179100022X	STRAINER	1	1	1					
6	2	X179100100X	PIPE ASSY	1	1	1					
7	2	X0044021509	HOSE A	1	1	1					
8	2	X199906101X	SCREW SET	1	1	1					
9	2	977780-03000	INPELLER	1	1	1					

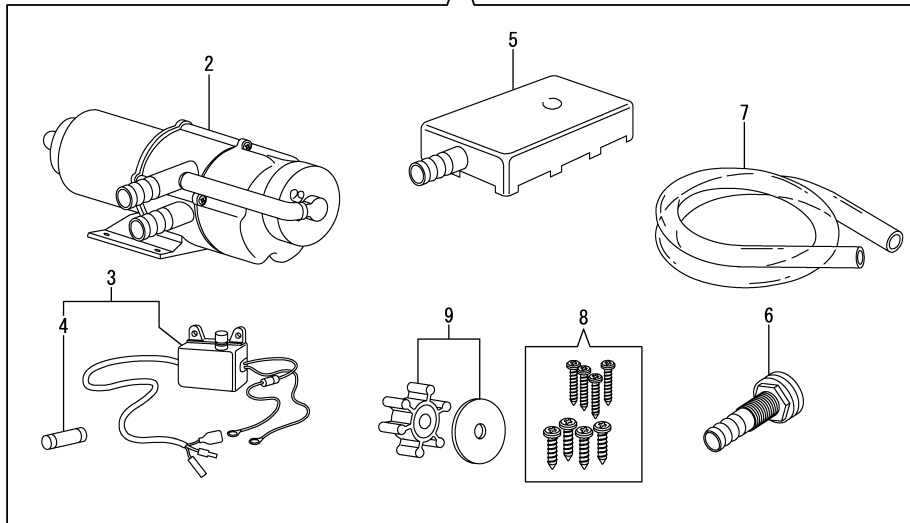
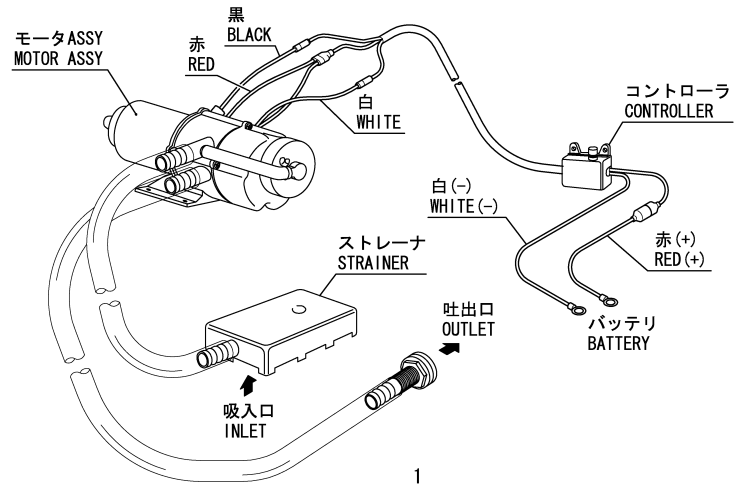
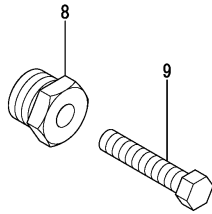
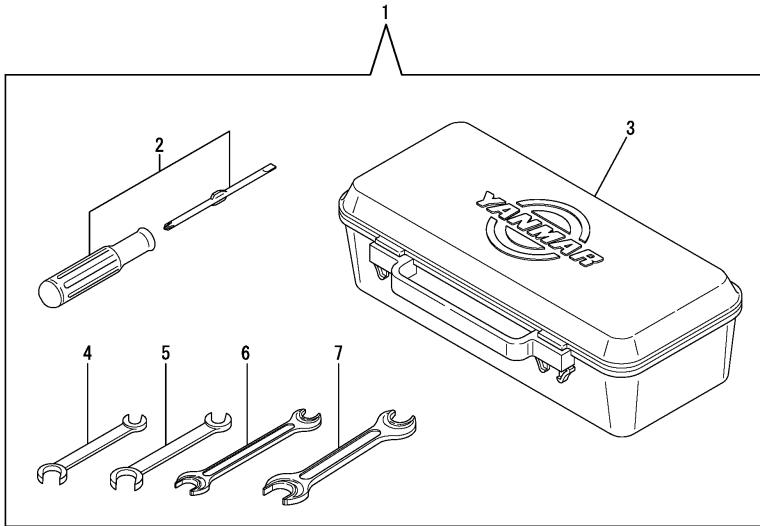


Fig.47. TOOLS(STANDARD)

(A)=6LY2-STE  
(B)=6LY2A-STP  
(C)=6LY2A-UTP

(D)=  
(E)=  
(F)=



No.	Lev.	Parts No.	Description	Q'ty						I	R	
				(A)	(B)	(C)	(D)	(E)	(F)			
1	1	726677-92100	TOOL ASSY, ENGINE (B="2012.11.)		1	1						W
2	2	104200-92350	DRIVER, SCREW		1	1						
3	2	104200-92600	BOX, SPARE PARTS		1	1						
4	2	28110-080100	SPANNER, 8X10		1	1						
5	2	28110-100130	SPANNER, 10X13		1	1						
6	2	28110-120140	SPANNER, 12X14		1	1						
7	2	28110-170190	SPANNER, 17X19		1	1						
8	1	119595-92420	PULLER, IMPELLER		1	1						1
9	1	26116-100504	BOLT, M10X 50 PLATED		1	1						1

Remarks

(1)Optional parts.

Fig.48. AIR SEPARATOR

(A)=6LY2-STE  
(B)=6LY2A-STP  
(C)=6LY2A-UTP

(D)=  
(E)=  
(F)=

No.	Lev.	Parts No.	Description	Q'ty						I	R	
				(A)	(B)	(C)	(D)	(E)	(F)			
1	1	119575-18500	AIRSEP KIT (B=*2004.02.)		1							W
2	2	119575-18510	FILTER, AIRSEP		1							
3	2	119575-18520	REGULATOR ASSY		1							
4	2	119575-18530	VALVE, CHECK		1							
5	1	119575-39650	PIPE ASSY, OIL		1							
6	1	119575-18550	CLEANER KIT		1	1						

Remarks

\* Parts listed in this figure are not illustrated.

N:Old  $\xrightarrow{\text{Yes}}$  New, Q:Old  $\xrightarrow{\text{No}}$  New, R:Old  $\xrightarrow{\text{Yes}}$  New, S:Old  $\xrightarrow{\text{No}}$  New, W:Add, Z:Discontinued, F:Interchangeable by set, K:Q'ty Change



## Parts No. Index

Parts No.	Fig. No.	Ref. No.
101304-59020	38	29
103200-53210	31	9
104200-92350	42	2
	47	2
104200-92600	47	3
104264-59030	10	17
104271-91352	40	44
	41	50
105100-55501	38	27
105100-55540	38	28
	44	21
105430-67110	38	3
		3 -1
106100-55800	30	30
	37	31
	45	9
114780-61090	28	89 -1
119000-01740	2	3
119000-01771	2	4
119000-01840	1	10
119000-02410	1	6
119000-02450	13	2
119000-11180	7	46
119000-11230	7	31
119000-11260	7	34
119000-11270	7	35
119000-11280	7	36
119000-11290	7	37
119000-14100	13	4
119000-14200	13	6
119000-25920	30	27
119000-34030	16	29
119000-51161	27	17
119000-51170	27	18
119000-51181	27	19
119000-51410	27	40
119000-51411	27	40 -1
119000-51511	27	49
119000-51550	27	52
119000-51570	27	53
119000-51580	27	54
119000-51590	27	55
119000-51650	27	56
119000-51800	27	59
119000-61052	28	86
119000-61120	28	6
119000-61180	28	91
119000-61470	28	109
119000-61490	28	18
119000-61630	28	39

Parts No.	Fig. No.	Ref. No.
119100-26200	22	22
119129-77210	36	21
119129-77250	37	14
119129-77260	37	15
119129-77320	37	3
119129-77890	37	21
119129-77900	37	22
119129-77930	37	19
119171-11150	7	18
119171-14400	13	8
119171-34820	4	13
119171-77850	38	8
119172-48130	9	10 -1
	10	18 -1
	32	15 -1
	34	35 -1
	38	33 -1
119172-48190	32	16 -1
	33	19 -1
119172-48280	8	21 -1
	18	9 -1
	26	14 -1
119172-48350	8	22 -1
119172-48480	5	19 -1
		19 -2
	11	49 -1
		58 -1
		61
	25	5 -1
		10 -1
		14 -1
		21
119172-48540	25	11 -1
		16 -1
	26	6 -1
119173-03030	8	12
119173-11080	7	5
119173-11090	7	6
119173-11091	7	6 -1
119173-11101	7	14
119173-61200	28	92
119173-61400	28	9
119173-61651	28	134
119173-61660	28	135
119175-07260	6	19
119175-33350	24	7 A
119175-42620	22	20
119175-77500	36	46
119175-77800	36	47
119175-91510	44	2

Parts No.	Fig. No.	Ref. No.
119175-91560	44	3
119175-91600	44	4
119175-91630	44	5
119175-91640	44	6
119175-91650	44	7
119187-39700	18	25
119187-59562	32	12
119187-61071	28	87
119187-61190	28	8
119187-61300	28	99
119187-61911	28	28
119187-61920	28	29
119187-61930	28	30
119189-91262	40	8
	41	8
119285-11990	1	5 -1
119503-22300	15	9
119503-22301	15	9 -1
119573-08200	5	11
119573-61010	28	4
119573-61030	28	4 -1
119573-77201	37	1
		1 -1
119573-77250	37	32
119573-77260	37	33
119573-77270	37	34
119573-77850	38	43
119573-91200	39	2
	40	2
	41	2
119574-03060	8	27
119574-03070	8	28
119574-03080	8	29
119574-03120	8	17 -1
119574-03130	8	18 -1
119574-07400	6	15
119574-07450	6	7
119574-08200	5	3
119574-08201	5	3 -1
119574-08202	5	3 -2
119574-08210	5	4
119574-08211	5	4 -1
119574-08212	5	4 -2
119574-08230	5	2
119574-08231	5	2 -1
119574-12110	9	1
119574-13110	10	1
119574-13250	11	45
		50
119574-13251	11	45 -1

Parts No.	Fig. No.	Ref. No.
119574-13251	11	50 -1
119574-13300	11	46
		51
119574-13500	11	47
119574-18050	11	29
119574-18051	11	29 -1
119574-18102	12	1
119574-18120	12	12
119574-18170	12	27
119574-18180	12	28
119574-18290	11	33
119574-18480	9	7
119574-18490	38	22
119574-18700	12	30
119574-18750	12	2
119574-18760	12	3
119574-18770	12	4
119574-18780	12	5
119574-18790	12	6
119574-18800	12	20
119574-18810	12	7
119574-18820	12	11
119574-33011	16	1
119574-33050	16	8
119574-33150	16	7
119574-33170	16	4
119574-33180	16	3
119574-33600	16	9
119574-33621	16	10
119574-34810	4	12
119574-34861	4	14
119574-35150	16	17
119574-35200	43	11
119574-39051	17	15
119574-39052	17	15 -1
119574-39111	17	17
119574-39120	17	27
119574-39152	17	18
119574-39200	16	22
	43	16
119574-39601	18	3
119574-39651	18	5
119574-39720	18	34
119574-39770	38	26
119574-39820	18	8
119574-42500	22	2
119574-42501	22	2 -1
119574-42502	22	2 -2
119574-42510	22	22 A
119574-42520	22	22 B

## Parts No. Index

Parts No.	Fig. No.	Ref. No.
119574-42530	22	22 C
119574-42550	22	17
119574-42551	22	17 -1
119574-42552	22	17 -2
119574-42560	22	18
119574-42570	22	19
119574-42580	22	20 -1
119574-44011	24	1
119574-44050	24	8
119574-44150	16	2
	24	2
119574-44170	24	6
		7
119574-44180	16	5
	24	5
119574-44190	24	4
119574-44200	24	3
119574-44600	24	9
119574-44621	24	10
119574-44630	8	30
	24	11
119574-49050	25	1
119574-49061	25	2
119574-49070	25	3
119574-49080	25	4
119574-49150	26	1
119574-49160	26	2
119574-49231	26	3
119574-49250	26	4
119574-49270	26	5
119574-49300	26	11
119574-49321	26	9
119574-49400	26	12
119574-49420	26	13
119574-49700	25	8
119574-49711	25	9
119574-49751	11	48
119574-55650	32	23
119574-59512	32	10
119574-59980	32	11
119574-66160	16	6
119574-67150	34	14
119574-67450	34	8
119574-67901	34	26
119574-91011	38	30
119574-99010	44	23
119574-99020	44	24
119574-99440	44	9
119574-99441	44	25
119574-99451	44	10

Parts No.	Fig. No.	Ref. No.
119575-01750	3	2 -1
119575-07220	6	18
	15	23
119575-07510	6	14
119575-08200	5	16
119575-08201	5	16 -1
119575-08210	5	17
119575-08211	5	17 -1
119575-08220	5	18
119575-11100	7	14 -1
119575-11900	7	40 -1
119575-11910	7	41 -1
119575-11930	7	43 -1
119575-13300	11	52
119575-13320	11	54
119575-13330	11	55
119575-13340	11	56
119575-13350	11	57
119575-18011	11	1
119575-18020	11	1 -1
119575-18500	48	1
119575-18510	48	2
119575-18520	48	3
119575-18530	48	4
119575-18550	48	6
119575-21600	14	15 A-1
119575-35000	43	2
119575-35010	43	3
119575-35050	43	4
119575-35100	43	5
119575-35110	43	6
119575-35120	43	7
119575-35150	43	8
119575-35160	43	10
119575-35200	43	12
119575-35300	43	13
119575-35310	43	14
119575-39650	48	5
119575-44010	24	1 -1
119575-49720	25	12
119575-49730	25	13
119575-49740	5	20
119575-49800	25	19
119575-49810	25	20
119575-53000	31	2
		2 A
119575-53050	31	2 A-1
119575-59300	32	17
119575-77050	38	52
119575-77060	38	53

Parts No.	Fig. No.	Ref. No.
119575-77070	38	54
119575-77071	38	54 -1
119575-77200	38	69
119575-77510	38	9 -1
119575-77511	38	9 -2
119575-77551	38	55
119575-77812	38	7
119575-77813	38	7 -1
119575-77814	38	7 -2
119575-77910	38	56
119575-77911	38	56 -1
119575-85500	5	21
119575-91131	39	1
119575-91261	39	5
119575-91851	39	25
119578-01730	4	5 -2
119578-14240	13	7 -1
119578-28000	14	12 -1
119578-42130	23	3 -1
119578-42600	22	13
119578-42610	22	5
119578-42620	22	6
119578-42630	22	7
119578-42640	22	11
119578-42650	22	14
119578-42660	22	12
119578-42670	22	16
119578-42680	22	15
119578-42690	22	8
119578-42700	22	9
119578-42720	22	10
119578-51201	27	20 -1
119578-51400	27	25 -1
119588-11310	8	2
119588-11311	8	2 -1
119588-39750	18	33
119588-61700	28	136
119588-67300	34	2
		2 A
119588-67311	34	3
119588-67330	34	4 A
119593-01200	1	27
119593-01601	3	1
119593-01731	4	5
119593-01732	4	5 -1
		5 -3
119593-01751	1	34
119593-01760	1	39
119593-01801	1	28
119593-01811	1	29

Parts No.	Fig. No.	Ref. No.
119593-01860	7	11
119593-01870	1	4
119593-01880	1	5
119593-01911	2	8
119593-02070	1	16
119593-02120	1	44
119593-02130	1	47
119593-02170	1	50
119593-02180	1	53
119593-02420	1	7
119593-02500	1	44 A
119593-02600	1	50 A
119593-03093	8	16
119593-03100	8	9
119593-03120	8	17
119593-03130	8	18
119593-03140	8	19
119593-03200	8	10
119593-07200	7	47
119593-08400	5	8
119593-11110	7	15
119593-11240	7	28
119593-11250	7	33
119593-11300	7	22
119593-11301	7	22 -1
119593-11360	8	4
119593-12111	9	2
119593-13202	10	2
119593-13220	10	12
119593-18070	11	30
119593-18080	11	31
119593-18110	11	32
119593-18480	9	7 -1
119593-18490	38	22 -1
119593-18800	12	31
119593-18871	11	34
119593-18880	11	35
119593-21500	14	14
119593-21602	14	15
		15 A
119593-23200	15	15
119593-23400	15	18 A
119593-25051	13	10
119593-25060	13	11
119593-25110	13	14
119593-28060	14	12
119593-32001	17	3
119593-32500	17	4
119593-32530	17	7
119593-32700	17	8

## Parts No. Index

Parts No.	Fig. No.	Ref. No.
119593-32710	17	9
119593-34001	16	27
119593-34020	16	37
119593-34870	4	15
119593-35100	16	15
119593-35150	16	18
	43	9
119593-35161	16	19
119593-35191	17	11
119593-35400	16	20
119593-39150	17	19
119593-39151	17	19 -1
119593-39401	18	19
119593-39450	18	2
		24
	38	72
119593-39560	1	40
119593-39620	18	4
119593-39630	18	4 -1
119593-39690	18	6
119593-42010	23	1
119593-42021	23	6
119593-42120	23	5
119593-42130	23	3
119593-42280	23	18
119593-42300	23	7
119593-44560	24	20
119593-49250	26	4 -1
119593-49291	23	12
119593-49320	8	8
	26	10
119593-49360	26	11 -1
119593-49530	23	13
119593-51080	27	9
119593-51090	27	10
119593-51500	27	48
119593-51520	27	50
119593-51530	27	51
119593-59132	32	2
119593-59133	32	2 -1
119593-59141	32	3
119593-59142	32	3 -1
119593-59920	32	9
119593-59960	32	22
119593-61100	28	90
119593-61110	28	90 A
119593-61120	28	90 B
119593-61130	28	90 C
119593-61140	28	90 D
119593-61150	28	90 E

Parts No.	Fig. No.	Ref. No.
119593-61650	28	45
119593-61760	28	51
119593-61800	28	53
119593-61830	28	57
119593-61860	28	60
119593-61890	28	61
119593-61900	28	139
119593-61910	28	140
119593-61920	28	141
119593-61990	28	144
119593-67400	34	25
119593-77300	37	23
119593-77301	37	23 -1
119593-77330	37	24
	45	10
119593-77460	26	17
119593-77461	26	17 -1
119593-85900	35	1
119594-25911	30	26
119594-51070	27	75
119594-51290	27	28
119594-51451	27	43
119594-51850	27	60
119594-61500	28	19
119594-61600	28	26
119594-61700	28	136 -1
119594-61850	28	59
119594-91011	38	30 -1
119595-01350	1	26
119595-01510	2	1
119595-01800	2	5
119595-01930	2	10
119595-01950	2	11
119595-07360	6	16
119595-11180	7	20
119595-11370	7	23
119595-11910	7	24
119595-11920	7	25
119595-11930	7	43
119595-13200	10	2 -1
119595-13300	10	2 -2
119595-14000	13	1
		1 A
119595-14050	13	1 A-1
119595-14200	13	7
119595-18120	12	12 -1
119595-18121	12	12 -2
119595-18170	12	27 -1
119595-18180	12	28 -1
119595-18250	12	29

Parts No.	Fig. No.	Ref. No.
119595-18600	12	13
119595-21200	14	4
119595-21300	14	7
119595-21650	14	10
119595-21651	14	10 -1
119595-22300	15	3
		25
119595-23310	15	18
119595-23320	15	20
119595-25100	13	12
119595-33050	16	8 -1
119595-35150	16	18 -1
119595-35200	43	11 -1
119595-39120	17	27 -1
119595-39580	1	43
119595-39700	18	7
119595-39750	38	25
119595-39751	38	25 -1
119595-44050	24	8 -1
119595-44600	10	13
119595-44700	10	15
119595-44801	10	16
119595-49060	25	2 -1
119595-49070	25	3 -1
119595-49080	25	4 -1
119595-51030	27	4
119595-51050	27	5
119595-51060	27	7
119595-51070	27	8
119595-51100	27	12
119595-51200	27	20
119595-51300	27	29
119595-51330	27	32
119595-51341	27	33
119595-51410	27	41
119595-53300	31	10
119595-59150	32	8
119595-59151	32	8 -1
119595-59711	31	20
119595-59721	31	21
119595-59731	31	22
119595-59741	31	23
119595-59750	31	24
119595-59762	31	25
119595-59950	32	14
119595-61170	28	7
119595-67150	34	14 -1
119595-77350	45	11
119595-77370	45	12
119595-91290	38	16

Parts No.	Fig. No.	Ref. No.
119595-92420	47	8
119620-01750	3	2
119620-49290	12	14
	16	11
	24	12
119717-51420	27	71 -1
119773-07280	6	5
119773-08300	5	12
119773-08330	5	13
119773-08340	5	14
119773-08350	5	15
119773-77030	36	44 -1
119773-91300	38	17
119773-91301	38	17 -1
119773-91400	38	10
119773-91500	38	20
119773-91501	38	20 -1
119773-91600	38	4
119773-91650	38	5
119773-91700	38	39
119773-91850	34	5
	38	46
	44	8
119885-01990	1	4 -1
120130-39990	19	2 -1
120130-49220	26	8 -1
120130-91860	39	6
120147-91760	41	14
120220-66250	34	33
120270-77101	38	42
120270-77102	38	42 -1
120320-61540	28	35
120323-53080	31	5
120323-53120	31	7
120323-53130	31	8
120323-53410	31	13
120323-53440	31	14
120323-61420	28	11
120324-07240	6	1
120324-11900	7	40
120324-11910	7	41
120324-55750	33	1
120324-55751	33	1 -1
120324-55760	33	2
120324-61551	28	110
120325-61100	28	154 -1
120445-44640	10	6
		14
121023-01550	2	2
121023-01551	2	2 -1

## Parts No. Index

Parts No.	Fig. No.	Ref. No.
121254-77401	36	2
121254-77402	36	2 -1
121254-77410	36	3
121254-77420	36	4
121254-77430	36	5
121254-77480	36	10
121254-77510	36	13
121254-77511	36	13 -1
121254-77520	36	14
121254-77521	36	14 -1
121254-77540	36	15
121254-77541	36	15 -1
121254-77570	36	17
121254-77571	36	17 -1
121254-77580	36	18
121254-77581	36	18 -1
121254-77590	36	19
121254-77600	36	20 -1
121254-77610	36	21 -1
121254-77670	36	26 -1
121254-77671	36	26 -2
121254-77690	36	28
121254-77700	36	29
121254-77730	36	32
121254-77770	36	36
121254-77780	36	37
121254-77790	36	38
121254-77810	36	39
121575-91250	40	13
	41	16
121750-03080	8	15
121750-59890	32	40
	38	41
		67
121750-59910	32	13
121850-01900	30	25
121850-01920	2	9
121850-03050	8	13
121850-11150	7	19
121850-11800	7	45
121850-21920	14	5
121850-35200	16	30
121850-51700	27	58
121850-61470	28	16
121850-61670	28	48
121950-28420	17	2
121950-51910	27	63
121952-51900	27	61
122210-92600	42	3
122210-92601	42	3 -1

Parts No.	Fig. No.	Ref. No.
122780-51900	27	62
122780-59100	31	16
123325-49220	26	8
123325-59420	32	4
	33	14
123372-59100	31	17
123472-59120	31	18
123482-39670	38	24
123482-91291	39	9
	40	14
	41	17
123658-18910	11	36
123672-21500	14	9
123672-21861	14	11
123672-55750	32	30
123672-55760	32	31
123672-55811	33	13
123672-84530	16	35
123678-55700	32	28
123678-55720	32	29
123678-55770	32	32
123678-55790	32	33
123678-55850	32	34
123678-55860	32	35
123678-55870	32	36
123678-55880	32	37
123678-55890	32	38
123682-07851	6	17
123682-07852	6	17 -1
123682-77710	32	43
	38	6
123688-39820	18	8 -1
124060-39452	38	13
124080-77390	37	10
124080-77520	37	12
124160-01751	8	1
124160-11360	8	5
124160-39140	9	9
	18	1
		23
	38	23
	43	15
124410-51050	27	6
124410-51861	29	24
124411-01780	3	3
124411-03051	8	14
124411-28400	1	30
	17	1
124411-35520	16	34
124413-39100	19	1

Parts No.	Fig. No.	Ref. No.
124450-39240	18	18
124460-77680	12	40
	24	13
124550-77030	36	44
124610-01851	2	6
124610-01862	2	7
124610-51970	28	3
124610-77010	36	1
		1 -1
124610-77019	36	1 -2
124610-77550	36	16
124610-77640	36	23 -2
124610-77660	36	25 -2
124610-77690	36	28 -1
124616-61580	28	113
124616-91370	38	57
124617-11120	7	16
124617-11130	7	17
124617-91980	39	4
	40	4
	41	4
124617-91990	39	26
	40	39
	41	44
124766-59050	12	15
124770-49310	32	1 -1
	38	1
	43	17
124790-44560	24	21
124790-55770	10	10
	12	37
124976-34850	4	20
	43	1
127410-21480	14	17
127495-08320	5	7
127495-61540	28	24
127495-61660	28	47
127605-48590	23	14
127610-39350	18	26
127610-49010	25	15
127610-55820	32	41
127610-91350	38	18
127610-92750	42	4
127620-91250	41	11
127675-91163	40	1
127675-91164	40	1 -1
127675-91193	41	1
127675-91194	41	1 -1
127677-77400	44	22
127687-18910	12	32

Parts No.	Fig. No.	Ref. No.
127687-39360	18	27
127687-91870	39	7
	40	41
	41	46
127687-91880	39	28
	40	40
	41	45
127691-52010	27	80
	29	1
127692-91410	39	22
	40	35
	41	40
127692-91440	39	23
	40	36
	41	41
127692-91450	39	24
	40	37
	41	42
127692-91900	41	51
127692-91950	41	52
127695-18251	12	29 -1
127695-61071	28	88
127695-61450	28	15
127695-61550	28	156 -1
127695-61551	28	156 -2
127695-61552	28	156 -3
127695-61961	28	143
127695-91220	38	15
128170-86500	34	31
		36
128170-86501	34	31 -1
128170-91160	38	14
128171-07150	6	13
128296-07190	6	8
128296-07260	6	2
128296-07300	6	3
128296-07350	6	4
128296-07400	6	9
128296-07420	6	10
128296-07450	6	11
128296-07460	6	12
128371-01800	3	4
128377-59860	32	1
128391-91440	39	16
128391-91640	39	15
128391-91700	39	27
128391-91930	39	11
129100-01580	1	11
		12
		13

## Parts No. Index

Parts No.	Fig. No.	Ref. No.
129100-01580	5	1
129100-61930	28	142
		172
129107-44590	10	5
129150-11750	7	32
129155-51020	27	76 -1
129155-51270	27	24
		25
129155-51280	27	26
		27
129155-51410	27	42
129170-91610	39	17
	40	30
	41	34
129170-91650	39	8
	40	11
129170-91800	40	16
	41	19
129170-91810	40	10
	41	7
129170-91890	40	19
129170-91930	40	20
129171-44600	10	3
129171-44620	10	4
129470-67320	34	4
129470-91190	40	7
	41	23
129470-91191	39	10
	40	15
	41	18
129470-91210	40	7 A
129490-77910	38	9
129574-77710	38	50
129574-77720	38	51
129574-77740	38	71
129574-77980	38	48
129574-91210	40	5
	41	5
129574-91221	40	6
	41	47
129574-91222	40	6 -1
	41	47 -1
129574-91240	41	10
129574-91311	41	6
129574-91410	40	12
	41	15
129574-91420	39	13
	40	22
	41	26
129574-91430	40	25

Parts No.	Fig. No.	Ref. No.
129574-91430	41	29
129574-91440	40	28
	41	32
129574-91490	41	12
129574-91530	41	58
129574-91540	41	59
129574-91550	41	60
129574-91560	38	44
129574-91561	38	44 -1
129574-91570	38	45
129574-91600	41	38
129574-91620	39	12
	40	21
	41	25
129574-91630	40	24
	41	28
129574-91640	40	27
	41	31
129574-91650	39	21
	40	34
	41	39
129574-91710	39	18
	40	31
	41	35
129574-91720	39	14
	40	23
	41	27
129574-91730	40	26
	41	30
129574-91740	40	29
	41	33
129574-91750	39	19
	40	32
	41	36
129574-91760	39	30
	40	42
	41	48
129574-91770	39	20
	40	33
	41	37
129574-91780	40	17
	41	20
129574-91790	40	18
	41	21
129574-91852	40	38
	41	43
129574-91862	40	9
	41	9
129574-91870	39	3
	40	3

Parts No.	Fig. No.	Ref. No.
129574-91870	41	3
129574-91880	41	13
129574-91890	40	45
	41	22
129574-91930	41	24
129574-91960	41	53
129574-91970	41	54
129590-18520	9	8
129590-67310	34	24
129593-91420	38	19
129595-61600	28	36
129595-61620	28	38
129595-61670	28	49
129595-61671	28	49 -1
129595-61680	28	50
129595-61681	28	50 -1
129772-77280	37	35
129795-61470	28	17
129908-77200	45	1
133615-92350	42	4 -1
135210-61090	28	89
144606-54900	30	28
144606-54910	30	29
144626-51090	27	11
144626-51680	27	57
144626-51950	27	65
144626-61781	28	138
144626-91570	38	21
148616-59430	32	5
148616-61650	28	46
148920-92600	42	3 -2
158563-51662	27	72 -1
158600-51270	27	24 -1
158600-51410	27	42 -1
171078-66551	34	1
171301-01640	4	2
171353-61460	28	108
177040-09050	42	1
177524-02210	14	19
177524-02211	14	19 -1
177524-02220	14	20
177524-02221	14	20 -1
177524-02230	14	21
177524-03701	14	22
177524-80010	35	4
177524-80020	35	5
177524-80030	35	6
180110-51910	27	64
183350-55130	38	68
194250-51660	8	20

Parts No.	Fig. No.	Ref. No.
194250-51660	38	2
		2 -1
196630-12980	6	6
198451-78680	39	29
	40	43
	41	49
22117-050000	28	62
		145
22117-060000	34	6
22117-080000	28	63
		64
		146
	34	7
22137-080000	4	6
	10	7
	12	16
		33
	16	12
		23
		23 -1
	24	14
	28	65
	33	17
	38	31
22137-100000	37	25
22137-120000	36	42
22157-080000	38	32
22190-060003	27	66
22190-080000	28	66
22190-080002	28	66 -1
		168
		168 -1
	32	18
22190-100002	28	169
22190-120002	28	84
		137
		137 -1
		170
22190-140002	32	6
		7
		19
		20
22190-160002	28	85
22190-270002	12	19
22217-040000	44	13
22217-050000	34	15
	38	47
22217-060000	28	147
	29	22
22217-080000	28	67

## Parts No. Index

Parts No.	Fig. No.	Ref. No.
22217-080000	33	18
	34	16
22217-120000	36	45
22217-270000	5	9
22242-000180	7	38
22252-000370	15	10
22272-000040	28	32
		68
		148
22272-000060	28	69
		70
		149
22272-000080	28	71
		72
22272-000100	28	150
22276-000060	28	149 -1
22276-000100	28	150 -1
22312-080160	2	12
22312-100220	3	5
22322-030220	28	13
22351-020008	27	67
22351-020012	27	68
22351-030016	28	56
		73
22351-030025	28	151
22351-040010	1	15
22351-050012	30	31
22351-050020	28	152
22351-080016	1	14
22360-080000	34	9
22372-050000	28	153
22414-250150	34	27
22453-060000	28	154
22492-060362	28	74
22512-070140	13	5
22512-070220	14	6
23000-013000	9	10
	10	18
	34	35
	38	33
23000-016000	32	15
	33	19
23000-019000	32	16
23000-028000	8	21
	18	9
	26	14
23000-035000	8	22
23000-054000	5	19
	11	49
		58

Parts No.	Fig. No.	Ref. No.
23000-054000	25	5
		10
		14
		16
23000-060000	25	11
	26	6
23010-013000	24	22
23061-070400	12	41
	24	15
23061-100750	12	17
23123-060406	8	31
23171-040000	8	32
23297-080081	10	19
23297-140081	44	14
23414-080000	9	3
	18	20
23414-080012	10	8
		20
	12	36
23414-100000	4	18
	9	11
	18	10
		31
		34
	38	34
	43	18
23414-100014	18	29
23414-120000	12	18
	38	35
		64
23414-130000	11	47 B
23414-140000	32	42
	33	20
23414-140018	31	15
23414-170000	11	37
23414-180000	16	36
23414-200000	12	38
	38	58
23414-220029	27	69
23414-360000	10	9
	43	19
23851-060000	38	36
23857-030000	10	21
	18	21
	32	21
23857-060000	38	36 -1
23857-080000	33	21
23871-020000	38	65
23871-030000	23	4
	38	66
23876-005000	7	9

Parts No.	Fig. No.	Ref. No.
23876-010000	38	37
		38
23876-030000	7	10
	8	25
23876-040000	43	30
23887-100002	28	155
23887-120002	12	21
	28	156
	38	63
23887-160002	28	75
23887-200002	12	39
23893-020002	11	47 C
23894-030002	11	38
24101-060064	22	21
24101-060100	14	8
24190-070001	18	30
24190-230001	8	33
24311-000090	27	27 -1
24311-000110	28	157
24311-000120	8	6
	28	76
24311-000140	3	6
24311-000200	17	20
		21
24311-000280	17	12
24311-000320	8	7
24311-000700	43	20
24314-000200	17	22
	18	11
24321-000350	25	6
24321-000450	23	17
24321-000800	27	70
24324-000250	18	12
24341-000080	28	77
24341-000100	4	16
24341-000160	27	71
24341-000240	2	14
	4	4
24341-000260	27	72
24341-000560	27	73
24341-000800	22	25
24341-001350	30	32
24356-190160	27	65 -1
24356-190170	27	57 -2
24356-190180	27	57 -1
26013-080182	13	9 -1
	17	13 -1
		23 -1
26013-080252	17	13
	37	27 -1

Parts No.	Fig. No.	Ref. No.
26013-080252	37	28 -1
26022-050122	8	11
26106-060102	34	10
	44	15
26106-060122	17	28
	28	158
		159
	34	10 A
	38	11
		59
	43	21
26106-060142	27	74
	38	62
		70
26106-060162	2	15 -1
	43	22
26106-060182	2	15
	28	78
26106-060202	8	23
	31	26
	34	11
	38	11 -1
26106-060222	28	160
26106-060302	28	161
	36	40
26106-060402	8	24
	28	162
26106-060452	36	41
26106-060502	8	24 -1
26106-080102	11	59
26106-080122	2	16
	9	4
	18	22
	28	167 -1
	34	12
	38	73
	44	16
		17
26106-080142	10	11
	11	60
	34	17
	38	60
26106-080162	1	31
	2	17
		17 -1
	4	17
	10	23
	13	9
	17	14

## Parts No. Index

Parts No.	Fig. No.	Ref. No.	
26106-080162	17	23	
		29	
	18	13	
		14	
		32	
	26	15	
		16	
	34	12 A	
	37	36	
	38	12	
	43	23	
	44	18	
	45	13	
	26106-080182	1	35
		23	8
26106-080202	1	31 -1	
		32	
	2	18	
		19	
		20	
		30	
	12	22	
		23	
	17	24	
	18	15	
	22	23	
	24	16	
	25	7	
	37	26	
		26 -1	
	38	40	
	43	24	
		25	
		26	
26106-080222	45	14	
	2	20 -1	
	17	25	
	37	27	
	44	26	
26106-080252	45	15	
	4	7	
	16	25 -1	
	17	14 -1	
		25 -1	
	18	16	
	23	15	
	26	7	
		18	
	30	33	
	37	28	

Parts No.	Fig. No.	Ref. No.		
26106-080252	45	16		
26106-080302	1	36		
		12	24	
		14	26	
		23	9	
		26	19	
26106-080352	4	8		
	43	27		
26106-080402	9	5		
		16	38	
		33	22	
26106-080452	1	37		
	2	21		
26106-080502		22		
		16	39	
		23	16	
		43	28	
	1	38		
26106-080552	2	23		
		23	-1	
		16	13	
		17	26	
	2	24		
		24	-1	
	12	25		
26106-080602	10	22		
26106-080652	7	44		
26106-080702	9	6		
26106-080752	2	25		
		26		
		4	21	
		23	10	
		2	27	
26106-080802	2	28		
26106-080852	2	27		
26106-080902	4	9		
26106-080952	4	9		
	23	11		
26106-081102	2	31		
26106-081202	2	29		
		4	10	
		16	24	-1
		30	34	
26106-100142	5	22		
26106-100162	4	19		
		14	13	
		11	39	
26106-100182	14	13	-1	
		14	13	
26106-100202	7	42		
		33	23	
26106-100222	11	40		
		14	13	-2

Parts No.	Fig. No.	Ref. No.	
26106-100222	18	17	
	32	24	
26106-100252	1	32	-1
		35	7
		5	23
26106-100282	5	23	
26106-100302	35	8	
	3	7	
	5	24	
	32	25	
26106-100352	3	8	
	14	27	
26106-100552	17	10	
26106-100802	1	33	
26106-101052	45	17	
26113-080552	12	34	
26113-081502	12	35	
26116-050142	34	29	
26116-060306	28	163	
26116-080202	34	18	
26116-081202	16	24	
26116-081302	16	14	
26116-081502	12	26	
	24	17	
26116-081902	4	11	
26116-100504	47	9	
26116-101202	37	29	
26116-120282	5	5	
26116-120302	5	5	-1
	36	43	
26116-120322	5	6	
26116-120352	36	43	-1
26116-160452	35	2	
26213-100252	11	42	-1
26216-060162	27	76	
26223-100252	11	41	
		42	
26226-080182	16	25	
26226-100322	30	25	-1
26306-080002	7	26	-1
		27	-1
	16	26	-1
		26	-2
	22	24	-1
	30	35	-1
	33	24	-1
	43	29	
26306-100002	30	36	-1
	32	26	-1
	37	30	-1
	45	18	

Parts No.	Fig. No.	Ref. No.	
26366-040002	44	27	
26366-060002	31	27	
	34	13	
26366-080002	7	26	
		27	
	16	26	
	22	24	
	27	77	
	30	35	
	33	24	
26366-100002	30	36	
	32	26	
	37	30	
26376-120002	28	164	
26450-060402	27	78	
26556-060122	41	56	
26557-040062	44	19	
26557-040202	44	20	
26557-040252	44	28	
26557-050082	38	49	
26557-050122	34	19	
26559-060122	41	55	
26577-060162	28	33	
26667-080002	28	79	
		165	
26703-100002	11	43	
		44	
26706-100002	33	25	
26716-050002	34	20	
26716-060002	28	34	-1
		80	-1
	29	23	
	41	57	
26716-080002	34	21	
26716-160002	35	3	
26756-050002	34	30	
26756-060002	28	80	
26756-080002	28	81	
		82	
		166	
26757-060002	28	34	
26776-270002	5	10	
26777-120002	28	83	
		171	
26911-080402	28	167	
27231-650000	1	8	
27241-100000	7	39	
27241-160000	1	9	
27241-280000	7	12	
27241-400000	7	13	

## Parts No. Index

Parts No.	Fig. No.	Ref. No.
27310-090001	7	21
28110-080100	47	4
28110-100130	42	5
	47	5
28110-120140	42	6
	47	6
28110-170190	42	7
	47	7
28110-220240	42	8
28120-002000	42	9
28170-001500	42	10
28230-120300	42	11
29621-200000	8	34
29622-250001	8	20 -1
	38	61
41650-501180	32	39 A
41650-550310	32	27
41650-550810	32	39
41701-001720	34	22
41710-000410	34	23
41710-001300	34	34
41730-000681	34	32
43530-500610	25	17
43662-030030	25	18
43662-030031	25	18 -1
43720-001220	19	2
719573-01540	4	1
719574-42700	22	1
719575-01560	1	1
719575-11701	7	1 -2
719575-22720	15	1 A-1
719575-22740	15	1 A-2
719575-22750	15	22 A
719575-51300	27	1
719575-51310	27	1 A
719575-53100	31	1
		1 A
719575-53200	31	1 A-1
719578-13500	11	47 -1
719593-02590	1	20
719593-02800	1	17
719593-11650	7	29
719595-11700	7	1
719595-11701	7	1 -1
719595-21700	14	1
719595-22720	15	1
		1 A
719595-22740	15	1 -1
719595-22750	15	22
719595-23600	15	16

Parts No.	Fig. No.	Ref. No.
719595-23701	15	11
719595-54102	30	1 -1
719595-54103	30	1 -2
719595-54200	30	1 -3
719595-54801	30	1
720445-44201	24	18
726677-92100	47	1
777524-02120	14	18
777524-02121	14	18 -1
977780-01200	21	1
977780-01210	20	1
977780-01211	20	1 -1
	21	1 -1
	46	1
977780-01230	20	2
	21	2
977780-01240	21	3
977780-01250	20	3
977780-03000	20	9
	21	9
	46	9
X0044021509	20	7
	21	7
	46	7
X0135771	22	4
X0225002201	24	20 A
X0271141040	29	17
		18
X0293314230	29	19
		20
X0293316030	29	11
X0293326030	29	6
X0296316060	29	12
X0297314680	29	16
X0300120414	33	8
X0311121522	33	6
X0313080110	33	12
X0314080110	33	10
X0318101004	46	2
X0580121073	33	7
X0582810173	33	5
X0588080273	33	11
X0588530373	16	16
		21
X0600160122	33	9
X0993071171	33	12 A
X1521001120	29	3
X1521021300	29	4
X1521051500	29	5
X1521114020	29	7

Parts No.	Fig. No.	Ref. No.
X1521150500	29	8
X1521160200	29	9
X1521170100	29	10
X1521210400	29	13
X1522006720	29	14
X1523005920	29	15
X1523200100	29	21
X158606410X	46	3
X179100011X	21	5
X179100021X	20	5
X179100022X	46	5
X179100100X	20	6
	21	6
	46	6
X199903800X	20	8
	21	8
X199906101X	46	8
X211810030	12	10
X213017001	36	26
X213035002	36	25 -1
X21304400	36	20
X213046003	36	27 -1
X214320104	12	9
X22501113	36	23 -1
X2740134001	33	3
X6303BM0000	37	18
X8636008003	20	4
	21	4
X8636015001	46	4
XJD532012	11	27
XKWPY642021	23	2
XL150M14041	37	17
XL155G1330	37	8
XL180120000	37	4
XL180832000	37	13
XL180G13012	37	6
XL180G43150	37	7
XL180G61000	37	2
XL180G63006	37	5
XL180G85001	37	20
XL225431800	37	11
XL225G1325	37	9
XL235340110	37	16
XNB133206	11	25
XNE973420	11	22
XNE974250	11	13
XNH171881	11	4
XNH172003	11	2 -1
XNH172500	11	10
XNH173436	11	22 -1

Parts No.	Fig. No.	Ref. No.
XNH174307	11	15
XNH174404	11	14
XNH175702	11	9
XNH178265	11	17
XNH191305	11	6
XNH193006	11	24
XNH261605	11	5
XNH271331	11	2
XNH271351	11	3
XNH273502	11	12
XNH362809	11	21
XNH961270	11	26
XNH963611	11	26 -1
XNH978942	11	28
XNN137007	11	19
XNN137423	11	18
XNN171107	11	7
XNN171110	11	8
XNN173204	11	23
XNN173504	11	11
XNN976562	11	20