

OCR10-M46601EN

Introduction

1. This parts catalog contains the previous information on the 3JH3E (part catalog No.Y00R4660) as well as the new one on the 3JH3E(EPA) (part catalog No.Y00R4920) and 3JH3CE.

	Parts catalog No.	Date of issue	Remarks
First edition	000Y00R4660	May,1997	No need
First edition	000Y00R4920	Jan.,1999	No need
1st edition(supplement)	000Y00R4661	June,2002	

2. This parts catalog dose not covers the reduction reverser and outboard engine. Please refer to the separate parts catalog,(No.000Y00R4900 or 000Y00R4910 or Y00F5970 or 000Y00F5761),which covers the reverser.
3. Standard finish color. : Yanmar ecole silver metallic
 Parts No. 977620-10070 1L (Paked in a can)
 977620-40070 4L (Paked in a can)
 TOR-90090003 Spray (1 piece)
4. This parts catalog dose not contain the technical date needed for servicing.
5. The illustrations used in this parts catalog have been simplified for clarity.

6. Specification

Engine model	3JH3E		3JH3E(EPA)		3JH3CE
Production years	~Nov,.1998		Dec,.1998~		~Nov,.1998
Serial number	~E20846		A00101~		~E20846
Type	4-stroke, vertical, water-cooled, diesel engine				
No.of cylinder-Bore(mm) × Stroke (mm)	3-84 × 90				
Continuous rating	kw/min ⁻¹ (PS/rpm)		26.8/3680 (36.5/3690)		
Combustion system	Direct injection				
Starting system	Electric starting 12V-1.2kw				
Power take-off position	Flywheel side				
Cooling system	Fresh water(Filterd sea water)cooling				
Lubricating system	Forced lubrication				
Reduction reverse	KM3A1	KM3P4	KM35A	KM35P	SD40
Reduction ratio	2.33 2.64	2.36 2.61 3.20	2.33 2.64	2.36 2.61	——

7. The contents of this parts catalog are subject to change without notice.
8. Be sure to use only YANMAR genuine part for repairs.
If imitation parts are used, It may cause engine defects.

Directions for the Parts Catalog.

1. This Parts Catalog shows both standard and optional parts.
2. Parts may change without prior notice.
3. The following is an example of the Parts Catalog format.

REF.	LEV.	PARTS NO.	DESCRIPTION	Q'TY						I	R
				(A)	(B)	(C)	(D)	(E)	(F)		
1	1	729595-51390	FUEL INJECTION PUMP	1	1	1	1	1			1
1-1	1	729595-51391	FUEL INJECTION PUMP	1	1	1	1	1		N	1
		(A=E00185) (B=E00200)									
3	2	26022-060162	SCREW M 6X 16	9	9	9	9	9			
3-1	2	26022-060162	SCREW M 6X 16	4	4	4	4	4		K	
		(A=E00156) (B=E00156) (C=E00156) (D=E00156) (E=E00156)									
4	2	129470-51040	CAMSHAFT	1	1	1	1	1			
5	2	122710-51050	BEARING, ROLLER	2	2	2	2	2			
6	2	129470-51060	RETAINER	1	1	1	1	1			

Remarks
(1) BOOST COMPEMSATOR TYPE. OPTIONAL PART, TO E00155,(4JH-DT, 4JH-DTZ

① Ref. No.

The Ref. No. listed may not be in accordance with the illustration Ref. No.

(Ex.) Illustration No.

List Ref No.

1

1

(Before change)

1-1

(After change)

For interchangeable symbols N, R and K, illustrations for new parts may be abbreviated.

② Lev. (Level)

Level indication

The numbers below indicate the level of relativity towards the main part.

1 ----- Main parts (Assembly parts)

2 ----- Sub component included in " 1 ".

3 ----- Sub component included in " 2 ".

Note) Parts that are not for sale are partially illustrated but not listed.

③ Interchangeability Symbol

When a part change takes place, one of the following interchangeability symbols is indicated beside the part.

Symbol	Interchangeability	Contents note
N	Old $\begin{matrix} \leftarrow \text{Yes} \\ \text{No} \rightarrow \end{matrix}$ New	New Part is interchangeable for Old Part but Old Part is not interchangeable for New Part.
Q	Old $\begin{matrix} \leftarrow \text{No} \\ \text{Yes} \rightarrow \end{matrix}$ New	New Part is not interchangeable for Old Part but Old Part is interchangeable for New Part.
R	Old $\begin{matrix} \leftarrow \text{Yes} \\ \text{Yes} \rightarrow \end{matrix}$ New	New/ Old Parts are both interchangeable.
S	Old $\begin{matrix} \leftarrow \text{No} \\ \text{No} \rightarrow \end{matrix}$ New	New/ Old Parts are both not interchangeable.
W		Part newly added.
Z		Part discontinued.
F		Not interchangeable by a single part but interchangeable together with related parts.
K		Changes only for used parts quantities.

④ Effective Machine No.

When a part changes, the effective Machine No. will be indicated in the (A)-(F) column.

Product Symbol	Product No.	Product Symbol	Product No.
C	Clutch No. Compressor No.	F	Machine No. (Agricultural Equip.)
D	Drive No.	M	Machine No.
E	Engine No.		

Note 1) A date may follow the symbol. (Ex.) 1996.01

Note 2) "XXXXX" and "ZZZZZ" are for parts that could not be predicted or for engine models that could not be identified.

Note 3) (A=E00185) is the E (Engine Serial Number) for the column (A) model (in this case 4JH-DT) after the parts design change.

⑤ Remarks

Figures or alphabets (symbols) are entered in the remarks column.

The comments (remarks) on parts that are indicated at the bottom of the illustration are the same symbols as those stated above.

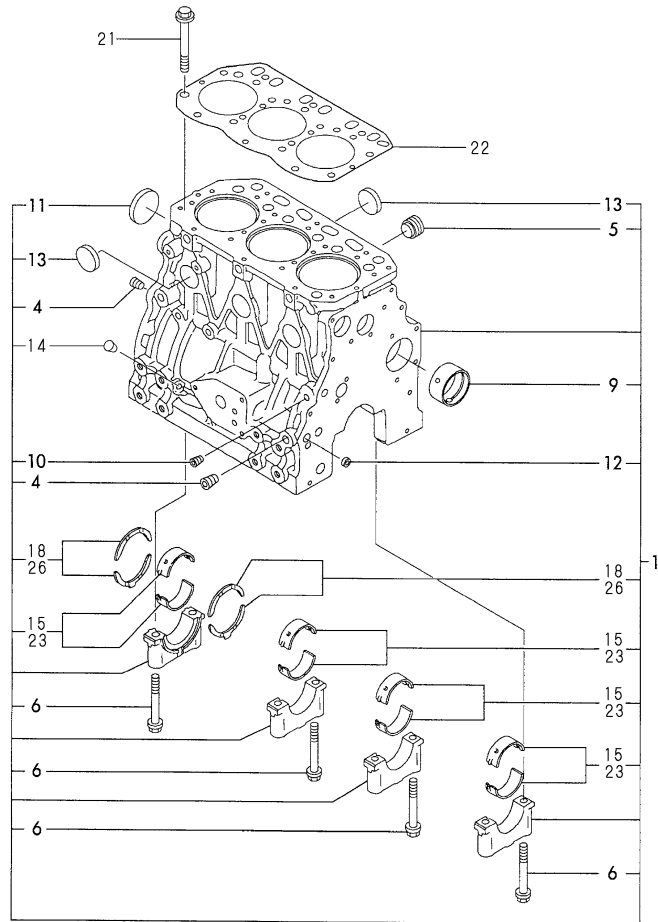
Contents

Fig. No.	Fig. Name	Fig. No.	Fig. Name
3JH3E(CE)		25.	GOVERNOR
1.	CYLINDER BLOCK	26.	FUEL FEED PUMP & TIMER
2.	GEAR HOUSING	27.	FUEL INJECTION VALVE
3.	FLYWHEEL HOUSING	28.	FUEL INJECTION PIPE
4.	MOUNTING FOOT	29.	FUEL PIPE & FUEL STRAINER
5.	LUB.OIL SUMP	30.	FUEL TANK(OPTIONAL)
6.	LABEL	31.	ENGINE STOP DEVIC
7.	CYLINDER HEAD	32.	CLUTCH
8.	BONNET	33.	CUPRING(OPTIONAL)
9.	SUCTION MANIFOLD	34.	STARTING MOTOR
10.	MIXING ELBOW	35.	GENERATOR(12V-55A,PREVIOUS)
11.	CAMSHAFT	36.	GENERATOR(12V-60A,NEW)
12.	CRANKSHAFT & FLYWHEEL	37.	GENERATOR(12V-80A,OPTIONAL)
13.	PISTON & CONNECTING ROD	38.	WIRE HARNESS & SENSOR
14.	LUB.OIL SYSTEM	39.	WIRE HARNESS & SENSOR(EARTH FLOAT TYPE)
15.	LUB.OIL PIPE	40.	INSTRUMENT PANEL(B-TYPE)
16.	COOLING SEA WATER PUMP	41.	INSTRUMENT PANEL(C-TYPE,PREVIOUS)
17.	COOLING FRESH WATER PUMP	42.	INSTRUMENT PANEL(C-TYPE,NEW)
18.	COOLING FRESH WATER COOLER	43.	INSTRUMENT PANEL(B,NEW-TYPE)
19.	COOLING SEA WATER PIPE	44.	INSTRUMENT PANEL(C,NEW-TYPE,PREVIOUS)
20.	COOLING FRESH WATER PIPE	45.	INSTRUMENT PANEL(C,NEW-TYPE,NEW)
21.	C.S.W.STRAINER(OPTIONAL)	46.	TOOL
22.	BILGE PUMP(STD,OPTIONAL)	47.	SPARE PART(OPTIONAL)
23.	BILGE PUMP(DX,OPTIONAL)	48.	SPARE PART(EARTH FLOAT TYPE,OPTIONAL)
24.	FUEL INJECTION PUMP		

Fig.1. CYLINDER BLOCK

Y00R4661

Fig. 1 シリンダブロック
CYLINDER BLOCK



(A)=3JH3E
(B)=3JH3E(EPA)
(C)=3JH3CE
(D)=
(E)=
(F)=

No.	Lev.	Parts No.	Description	Qty						I	R
				(A)	(B)	(C)	(D)	(E)	(F)		
1	1	729270-01560	BLOCK ASSY, CYLINDER	1	1	1					
4	3	124160-01910	PLUG, PT1/4	3	3	3					
5	3	171051-01921	PLUG, NPTF1	1	1	1					
6	3	129150-02020	BOLT, METAL CAP	8	8	8					
9	3	129795-02411	BUSH, CAMSHAFT	1	1	1					
10	3	23876-010000	PLUG, R01	1	1	1					
11	3	27231-500000	PLUG 50	1	1	1					
11-1	3	129001-01250	PLUG, 50	1	1	1					N
		(A=*2000.01) (B=E/#A00838) (C=*2000.01)									
12	3	27241-120000	PLUG, 12	2	2	2					
13	3	27241-300000	PLUG 30	6	6	6					
14	2	27225-100140	PLUG, 10X14	1	1	1					
15	2	129001-02800	BEARING, MAIN	4	4	4					
15-1	2	129690-02800	BEARING, MAIN	4	4	4					R
		(A=*2000.10) (B=E/#A01802) (C=*2000.10)									
18	2	129150-02930	BEARING, THRUST	2	2	2					
21	1	129150-01200	BOLT, HEAD	14	14	14					
22	1	129002-01331	GASKET, HEAD	1	1	1					
23	1	129150-02870	BEARING, 0.25 US	4	4	4					1
23-1	1	129690-02870	BEARING, 0.25 US	4	4	4					R 1
		(A=*2000.10) (B=E/#A01802) (C=*2000.10)									
26	1	129150-02940	BEARING, THRUST 0.25	2	2	2					2

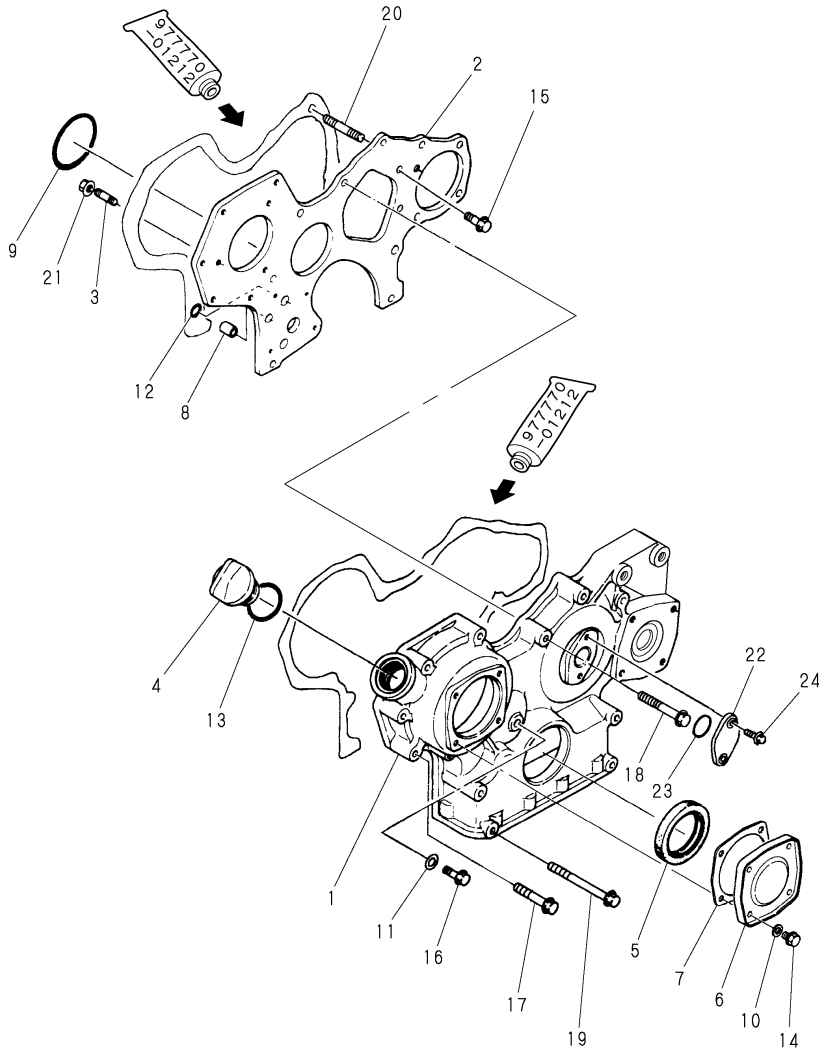
Remarks

- (1) UNDER-SIZE (U.S=0.25) PART.
- (2) OVER-SIZE (O.S=0.25) PART.

Fig.2. GEAR HOUSING

Y00R4661

Fig. 2 ギヤケース
GEAR HOUSING



(A)=3JH3E
(B)=3JH3E(EPA)
(C)=3JH3CE

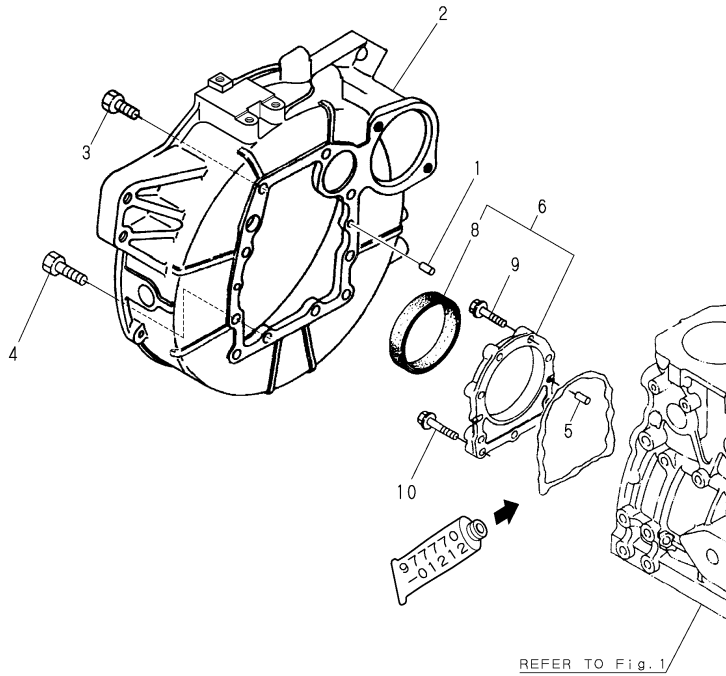
(D)=
(E)=
(F)=

No.	Lev.	Parts No.	Description	Qty						I	R
				(A)	(B)	(C)	(D)	(E)	(F)		
1	1	129670-01500	CASE, GEAR	1	1	1					
2	1	129100-01520	FLANGE, GEAR CASE	1	1	1					
3	1	121450-01560	STUD, M8X22	3	3	3					
4	1	124160-01751	COVER, FILLER	1	1	1					
5	1	129795-01800	SEAL, OIL	1	1	1					
6	1	129150-01870	COVER	1	1	1					
7	1	129150-01881	GASKET	1	1	1					
8	1	129795-01950	PIPE, KNOCK L=18	2	2	2					
9	1	121850-51960	O-RING	1	1	1					
10	1	22190-080002	WASHER, SEAL 6	4	4	4					
11	1	22190-080002	WASHER, SEAL 6	1	1	1					
12	1	24311-000160	O-RING, 1AP16.0	2	2	2					
13	1	24311-000320	O-RING, 1AP32.0	1	1	1					
14	1	26106-080122	BOLT, M8X 12 PLATED	4	4	4					
15	1	26106-080162	BOLT, M8X 16 PLATED	3	3	3					
16	1	26106-080162	BOLT, M8X 16 PLATED	1	1	1					
17	1	26106-080452	BOLT, M8X 45 PLATED	6	6	6					
18	1	26106-080552	BOLT, M8X 55 PLATED	3	3	3					
19	1	26106-080852	BOLT, M8X 85 PLATED	4	4	4					
20	1	26216-080182	STUD, M8X 18	1	1	1					
21	1	26306-080002	NUT, M8	3	3	3					
22	1	121023-01550	COVER	1	1	1					
23	1	24341-000240	O-RING, 1AS24.0	1	1	1					
24	1	26106-060162	BOLT, M6X 16 PLATED	2	2	2					

Fig.3. FLYWHEEL HOUSING

Y00R4661

Fig. 3 フライホイールハウジング
FLYWHEEL HOUSING



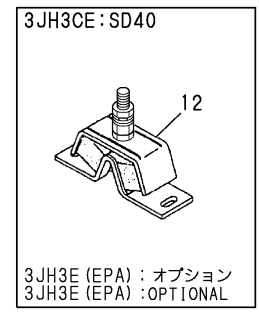
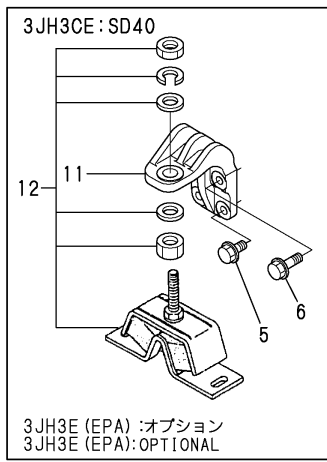
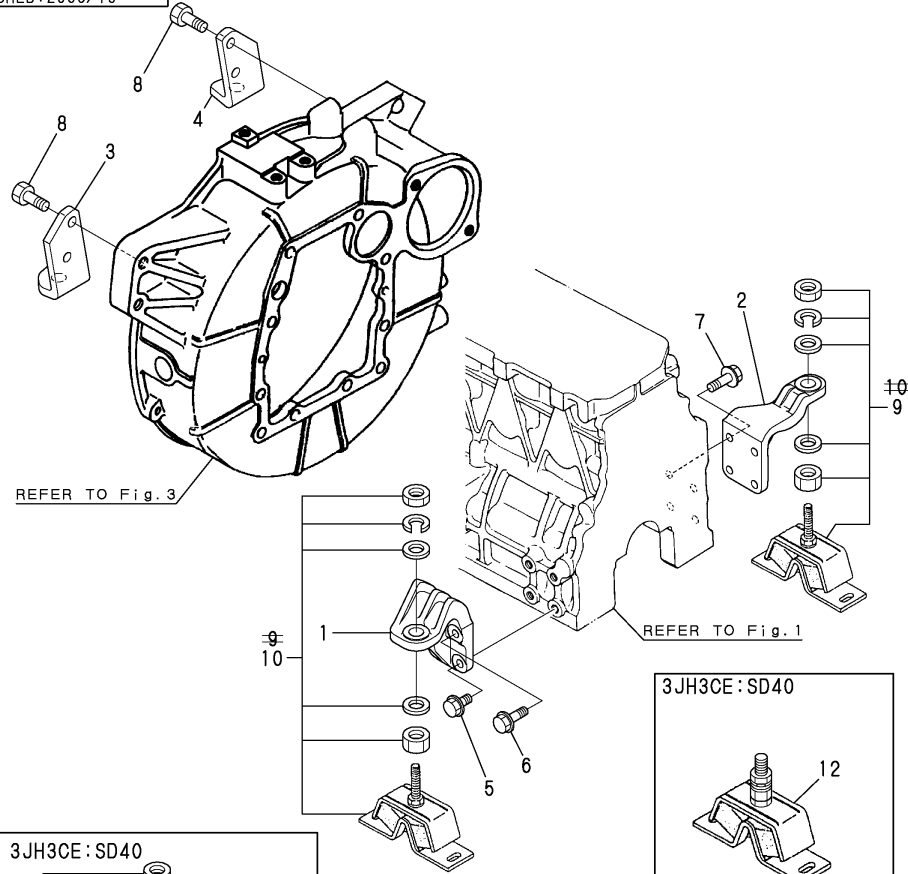
(A)=3JH3E
(B)=3JH3E(EPA)
(C)=3JH3CE

(D)=
(E)=
(F)=

No.	Lev.	Parts No.	Description	Qty						I	R
				(A)	(B)	(C)	(D)	(E)	(F)		
1	1	129100-01580	PIN, M8X16	2	2	2					
2	1	129670-01600	HOUSING, FLYWHEEL	1	1	1					
3	1	26206-100252	BOLT, M10X 25 PLATED	6	6	6					
4	1	26206-100302	BOLT, M10X 30 PLATED	4	4	4					
5	1	129100-01580	PIN, M8X16	2	2	2					
6	1	129100-01640	CASE ASSY, OIL SEAL	1	1	1					
8	2	129795-01780	SEAL, OIL	1	1	1					
9	1	129486-01670	BOLT, M8X30	6	6	6					
10	1	26106-080352	BOLT, M8X 35 PLATED	3	3	3					

Fig.4. MOUNTING FOOT

P/C NEWS No:Y00R4661-3
PUBLISHED:2005/10



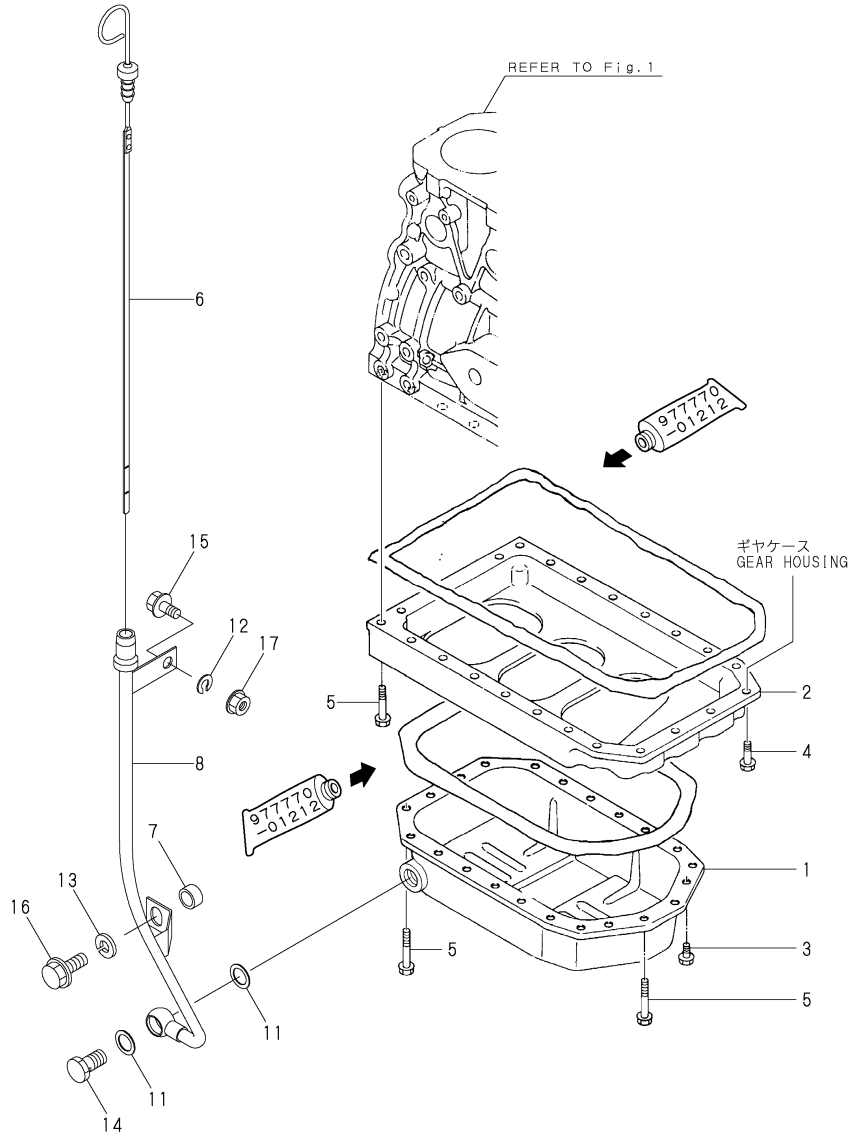
(A)=3JH3E
(B)=3JH3E(EPA)
(C)=3JH3CE
(D)=
(E)=
(F)=

No.	Lev.	Parts No.	Description	Qty						I	R
				(A)	(B)	(C)	(D)	(E)	(F)		
1	1	129270-08100	FOOT	1	1						
2	1	129670-08110	FOOT	1	1	1					
3	1	129670-08120	FOOT	1	1	1					
4	1	129670-08130	FOOT	1	1	1					
5	1	26106-100202	BOLT, M10X 20 PLATED	2	2	2					
5-1	1	26106-100222	BOLT, M10X 22 PLATED	2	2	2					N
		(A=*2000.05)	(B=E/#A01302)	(C=*2000.05)							
6	1	26106-100302	BOLT, M10X 30 PLATED	2	2	2					
7	1	26106-100302	BOLT, M10X 30 PLATED	4	4	4					
8	1	26116-120302	BOLT, M12X 30 PLATED	4	4	4					
8-1	1	26116-120252	BOLT, M12X 25 PLATED	4	4	4					N
		(A=*2000.05)	(B=E/#A01302)	(C=*2000.05)							
9	1	129670-08340	MOUNT, FLEXIBLE 150	2	2						
10	1	128377-08350	MOUNT, FLEXIBLE 100	2	2						
11	1	129670-08100	FOOT	1	1						
12	1	129670-08350	MOUNT, FLEXIBLE 200	2	2						

Fig.5. LUB.OIL SUMP

Y00R4661

Fig. 5 オイルパン
LUB.OIL SUMP



(A)=3JH3E
(B)=3JH3E(EPA)
(C)=3JH3CE

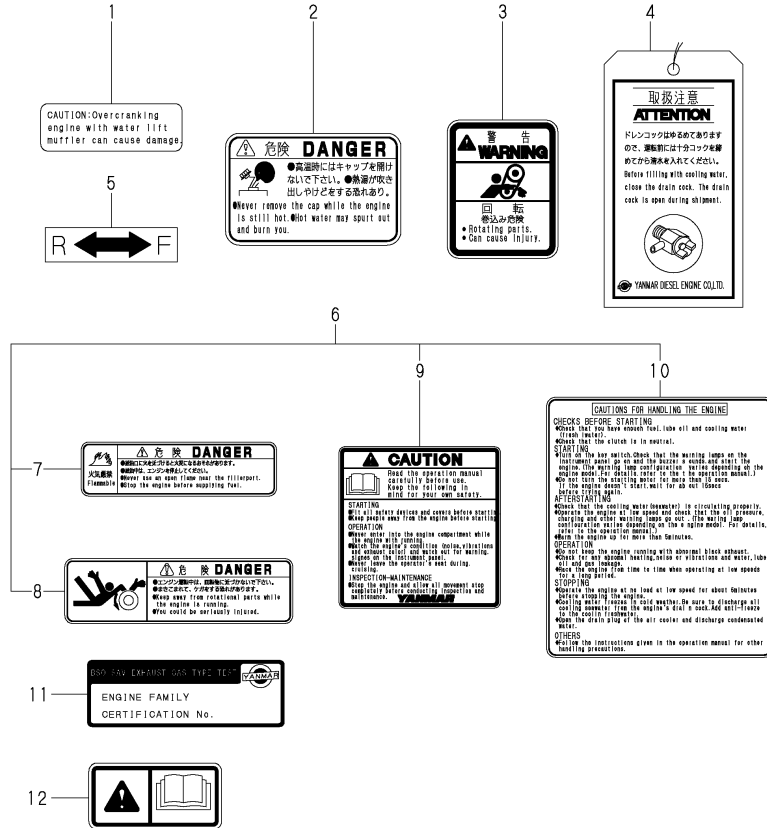
(D)=
(E)=
(F)=

No.	Lev.	Parts No.	Description	Qty						I	R
				(A)	(B)	(C)	(D)	(E)	(F)		
1	1	129270-01720	SUMP, OIL	1	1	1					
2	1	129100-01730	SPACER, OIL SUMP	1	1	1					
3	1	26106-080162	BOLT, M8X 16 PLATED	4	4	4					
4	1	26106-080252	BOLT, M8X 25 PLATED	2	2	2					
5	1	26106-080452	BOLT, M8X 45 PLATED	20	20	20					
6	1	129670-34800	DIPSTICK, OIL	1	1	1					
7	1	129301-34830	SPACER	1	1	1					
8	1	129270-34880	GUIDE ASSY, DIPSTICK	1	1	1					
11	1	22190-140002	WASHER, SEAL 14	2	2	2					
12	1	22217-080000	WASHER, SPRING 8	1	1	1					
13	1	22217-100000	WASHER, SPRING 10	1	1	1					
14	1	23851-080000	JOIT BOLT 8	1	1	1					
15	1	26106-080162	BOLT, M8X 16 PLATED	1	1	1					
16	1	26106-100252	BOLT, M10X 25 PLATED	1	1	1					
16-1	1	26106-100222	BOLT, M10X 22 PLATED	1	1	1					N
17	1	26306-080002	NUT, M8	1	1	1					

Fig.6. LABEL

Y00R4661

Fig.6 銘板 LABEL



(A)=3JH3E
(B)=3JH3E(EPA)
(C)=3JH3CE

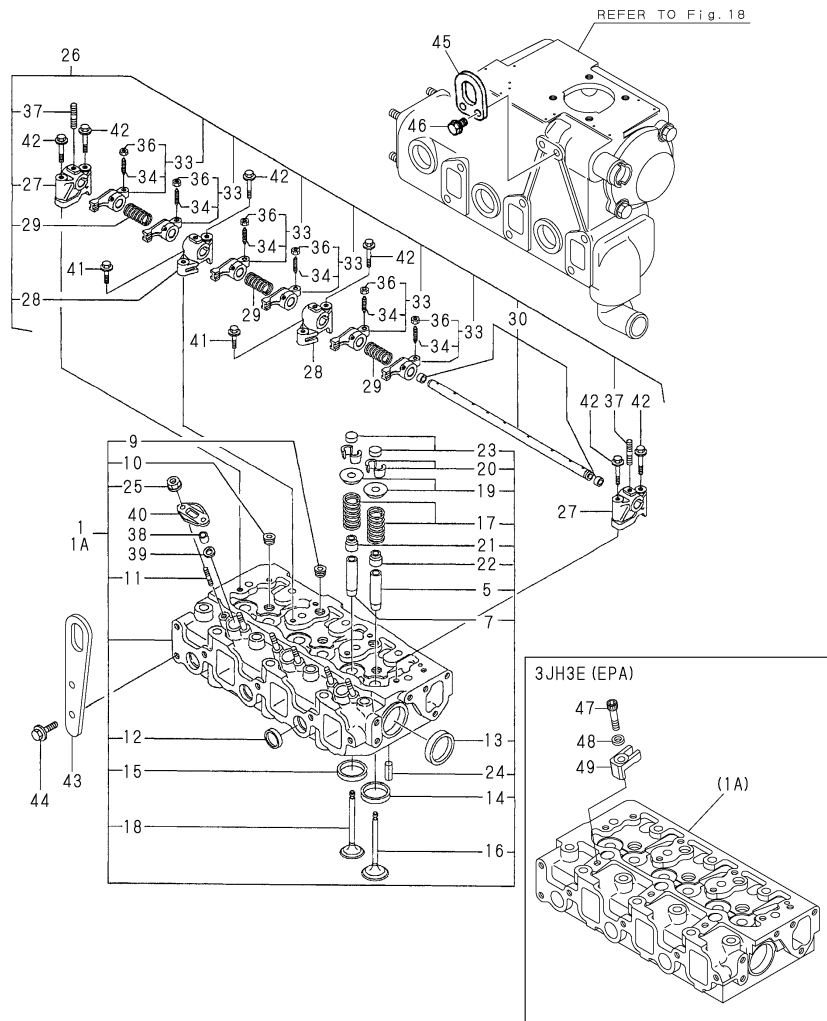
(D)=
(E)=
(F)=

No.	Lev.	Parts No.	Description	Qty						I	R	
				(A)	(B)	(C)	(D)	(E)	(F)			
1	1	128171-07150	LABEL	1		1						
1-1	1	128377-07150	CAUTION LABEL	1	1	1						R
(A=E/#E20354) (C=E/#E20354)												
2	1	128296-07260	LABEL, DANGER	1		1						
2-1	1	128377-07260	LABEL, DANGER	1	1	1						R
(A=E/#E20354) (C=E/#E20354)												
3	1	128296-07350	LABEL, DANGER	1		1						
3-1	1	128377-07350	LABEL, WARNING	1	1	1						R
(A=E/#E20354) (C=E/#E20354)												
4	1	123682-07851	LABEL, CAUTION	1	1	1						
5	1	177088-02430	LABEL	1	1							
6	1	128296-07190	LABEL, LOOSE PARTS	1	1	1						
7	2	128296-07400	LABEL, DANGER	2	2	2						
8	2	128296-07420	LABEL, DANGER	1	1	1						
9	2	128296-07450	LABEL, DANGER	1	1	1						
10	2	128296-07460	LABEL, DANGER	1	1	1						
11	1	129270-07510	LABEL, BSO2	1		1						W
(A=FROM 1ST) (C=FROM 1ST)												
11-1	1	129270-07560	LABEL, BSO2	1	1	1						R
(A=E/#E20354) (C=E/#E20354)												
12	1	196630-12980	LABEL	1	1	1						W
(A=FROM 1ST) (C=FROM 1ST)												

Fig.7. CYLINDER HEAD

Y00R4661

Fig. 7 シリンダヘッド
CYLINDER HEAD



(A)=3JH3E
(B)=3JH3E(EPA)
(C)=3JH3CE

(D)=
(E)=
(F)=

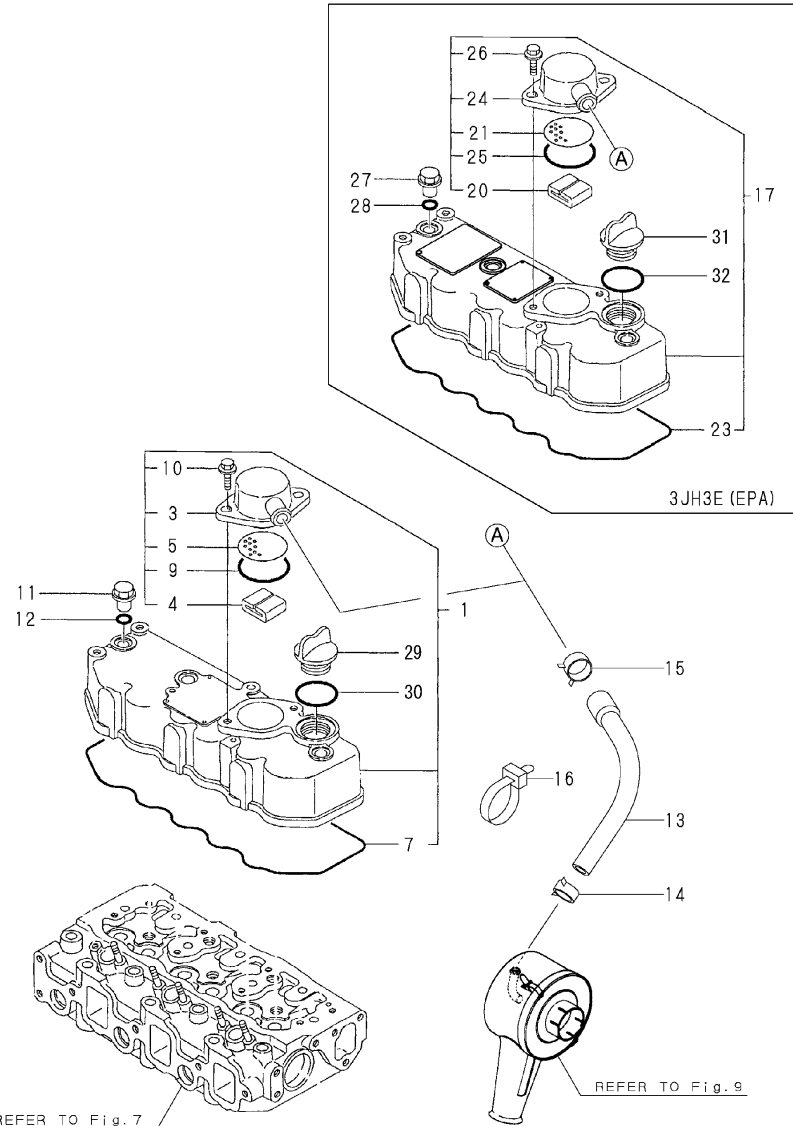
No.	Lev.	Parts No.	Description	Q'ty						I	R
				(A)	(B)	(C)	(D)	(E)	(F)		
1	1	729202-11710	HEAD ASSY, CYLINDER	1		1					
1A	1	729270-11710	HEAD ASSY, CYLINDER		1						
5	3	120130-11860	GUIDE, VALVE	3	3	3					1
7	3	129150-11810	GUIDE, VALVE	3	3	3					1
9	3	23876-020000	PLUG, R02	2	2	2					
10	3	23876-030000	PLUG, R03	3	3	3					
11	3	26216-060202	STUD, M6X 20	6		6					
12	3	27241-220000	PLUG, 22	3	3	3					
13	3	27241-400000	PLUG, 40	2	2	2					
14	3	129470-11080	SEAT, INTAKE VALVE	3		3					
14A	3	129270-11080	SEAT, INTAKE VALVE		3						
15	3	129470-11090	SEAT, EXHAUST VALVE	3	3	3					
16	2	129100-11100	VALVE, INTAKE	3		3					
16A	2	129270-11100	VALVE, INTAKE		3						
17	2	129795-11120	SPRING, VALVE	6	6	6					
18	2	129100-11110	VALVE, EXHAUST	3	3	3					
19	2	129795-11180	RETAINER, SPRING	6	6	6					
20	2	27310-080001	COTTER, 8	6	6	6					
21	2	121400-11340	SEAL, VALVE STEM	3	3	3					
22	2	124460-11340	SEAL, VALVE STEM	3	3	3					
23	2	129150-11370	CAP, VALVE	6	6	6					
24	2	22351-060012	PIN, SPRING 6.0X12	2	2	2					
25	2	26366-060002	NUT, M6	6		6					
26	1	129155-11241	SHAFT ASSY, ROCKER	1		1					
26A	1	129270-11240	SHAFT ASSY		1						
27	2	129155-11260	SUPPORT, ROCKER ARM	2		2					
27A	2	129270-11260	SUPPORT, ROCKER ARM		2						
28	2	129155-11270	SUPPORT, ROCKER ARM	2		2					
28A	2	129270-11270	SUPPORT, ROCKER ARM		2						
29	2	129150-11280	SPRING	3	3	3					
30	2	129150-11290	SHAFT, ROCKER ARM	1	1	1					
33	2	729402-11650	ARM ASSY, ROCKER	6	6	6					
34	3	129150-11230	SCREW, VALVE ADJUST	6	6	6					
36	3	129150-11750	NUT, M8	6	6	6					
37	2	26226-080182	STUD, M8X 18	3		3					
37-1	2	119802-11280	STUD	3		3					R
(A=*2002.01) (C=*2002.01)											
37A	2	129270-11290	STUD, M8X18		3						
38	1	119625-11871	PROTECTOR, NOZZLE	3		3					
38-1	1	119625-11870	PROTECTOR, NOZZLE	3	3	3					N
(A=E/#E20456) (C=E/#E20456)											
39	1	119625-11880	SEAT, NOZZLE	3	3	3					
40	1	119625-11900	RETAINER, NOZZLE	3		3					
41	1	26106-080252	BOLT, M8X 25 PLATED	2	2	2					
42	1	26106-080502	BOLT, M8X 50 PLATED	6	6	6					
43	1	129900-07900	LIFTER	2		2					
43-1	1	129171-07901	LIFTER	2	2	2					R
(A=E/#E20217) (C=E/#E20217)											
44	1	26106-080162	BOLT, M8X 16 PLATED	4	4	4					
45	1	129470-07230	LIFTER	1	1	1					
46	1	26106-080162	BOLT, M8X 16 PLATED	2	2	2					

Remarks
(1)REPAIR PART.

Fig.8. BONNET

Y00R4661

Fig. 8 ボンネット&ブリーザ
BONNET & BREATHER



(A)=3JH3E
(B)=3JH3E(EPA)
(C)=3JH3CE

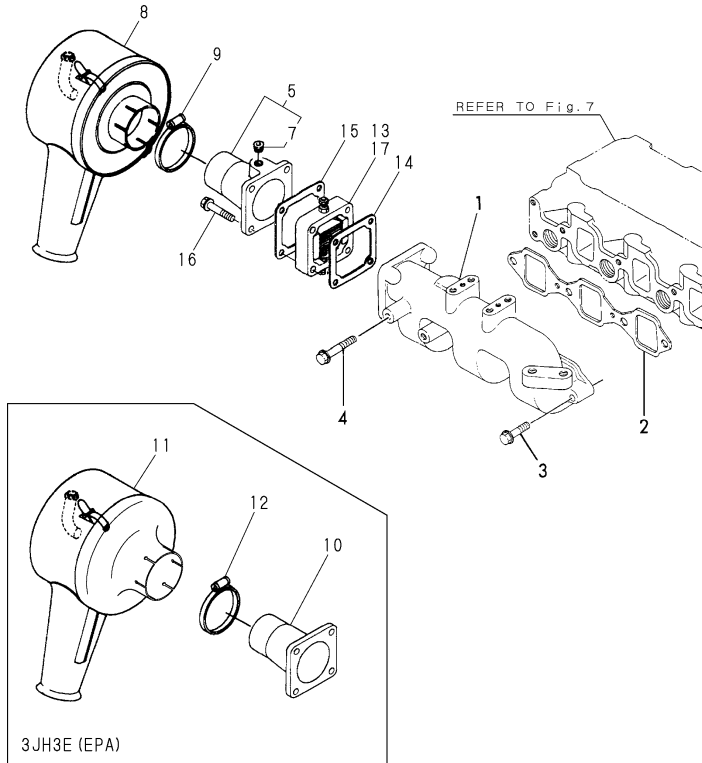
(D)=
(E)=
(F)=

No.	Lev.	Parts No.	Description	Q'ty						I	R
				(A)	(B)	(C)	(D)	(E)	(F)		
1	1	129100-11350	BONNET ASSY, HEAD	1	1						
1-1	1	129100-11351 (A=*1999.11)	BONNET ASSY, HEAD (C=*1999.11)	1	1						N
1-2	1	729132-11521 (A=*1999.11)	BONNET ASSY, HEAD (C=*1999.11)	1	1						R
3	2	129150-03020	COVER, BREATHER	1	1						
4	2	129150-03070	BAFFLE, BREATHER	1	1						
5	2	129150-03080	PLATE, BAFFLE	1	1						
7	2	129150-11310	GASKET, BONNET	1	1						
9	2	24341-000500	O-RING, 1AS50.0	1	1						
10	2	26106-080162	BOLT, M8X 16 PLATED	2	2						
11	1	124160-11360	KNOB	3	3						
12	1	24311-000120	O-RING, 1AP12.0	3	3						
13	1	129190-03090	PIPE, BREATHER	1	1	1					
14	1	129301-03660	CLAMP 16	1	1	1					
15	1	129410-03990	CLIP	1	1	1					
16	1	121750-59890	BAND, 140	1	1	1					
17	1	129270-11350	BONNET ASSY, HEAD			1					
20	2	129150-03070	BAFFLE, BREATHER			1					
21	2	129150-03080	PLATE, BAFFLE			1					
23	2	129270-11310	GASKET, BONNET			1					
24	2	129150-03020	COVER, BREATHER			1					
25	2	24341-000500	O-RING, 1AS50.0			1					
26	2	26106-080162	BOLT, M8X 16 PLATED			2					
27	1	124160-11360	KNOB			3					
28	1	24311-000120	O-RING, 1AP12.0			3					
29	1	124160-01751	COVER, FILLER	1		1					
30	1	24311-000320	O-RING, 1AP32.0	1		1					
31	1	124160-01751	COVER, FILLER			1					
32	1	24311-000320	O-RING, 1AP32.0			1					

Fig.9. SUCTION MANIFOLD

Y00R4661

Fig. 9 吸気マニホールド
SUCTION MANIFOLD



(A)=3JH3E
(B)=3JH3E(EPA)
(C)=3JH3CE
(D)=
(E)=
(F)=

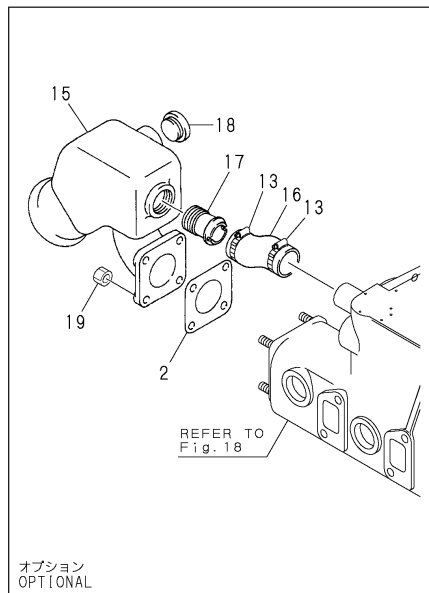
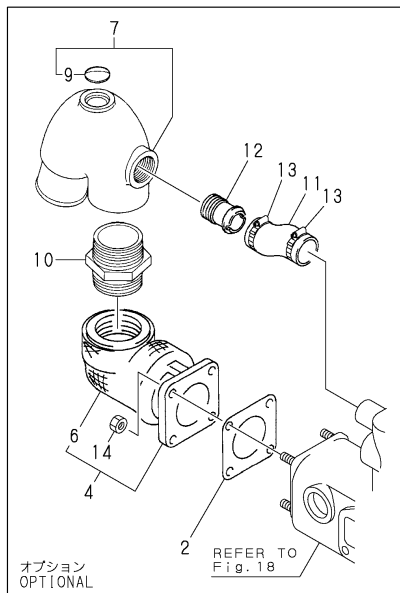
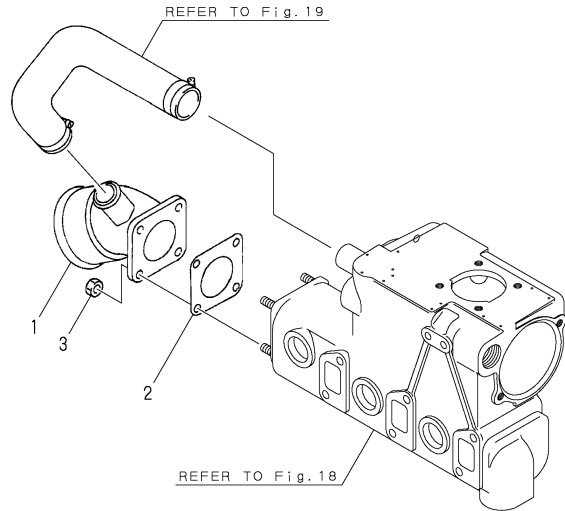
No.	Lev.	Parts No.	Description	Q'ty						I	R
				(A)	(B)	(C)	(D)	(E)	(F)		
1	1	129170-12100	MANIFOLD, AIR INTAKE	1	1	1					
2	1	129150-12111	GASKET, MANIFOLD	1	1	1					
3	1	26106-080252	BOLT, M8X 25 PLATED	3	3	3					
4	1	26106-080352	BOLT, M8X 35 PLATED	1	1	1					
5	1	129470-12210	JOINT ASSY	1		1					
7	2	23876-010000	PLUG, R01	1		1					
8	1	129570-12300	SILENCER ASSY	1		1					
9	1	23000-054000	CLAMP, 54	1		1					
10	1	129270-12200	JOINT			1					
11	1	129270-12300	SILENCER			1					
12	1	23000-070000	CLAMP, 70			1					
13	1	129100-77500	HEATER, AIR 12V	1	1	1					
14	1	129100-77510	GASKET	1	1	1					
15	1	129470-77590	GASKET	1	1	1					
16	1	26106-080402	BOLT, M8X 40 PLATED	4	4	4					
17	1	129400-77501	HEATER	1	1	1					1

Remarks
(1)EARTH FLOAT TYPE

Fig.10. MIXING ELBOW

Y00R4661

Fig. 10 ミキシングエルボ
MIXING ELBOW



(A)=3JH3E
(B)=3JH3E(EPA)
(C)=3JH3CE

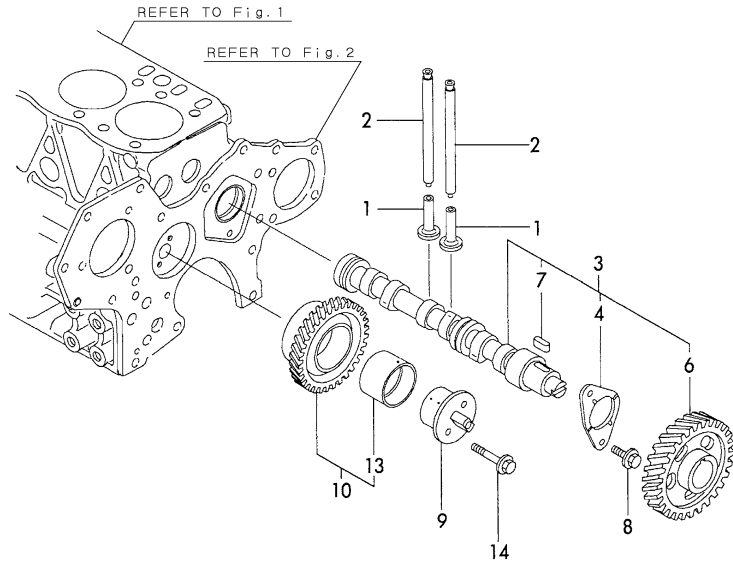
(D)=
(E)=
(F)=

No.	Lev.	Parts No.	Description	Q'ty						I	R
				(A)	(B)	(C)	(D)	(E)	(F)		
1	1	129670-13560	ELBOW	1	1	1					
2	1	129472-18090	GASKET	1	1	1					
3	1	26703-080002	NUT, M8	4	4	4					
4	1	129170-13000	BEND, EXHAUST	1	1	1					
6	2	129170-13020	INSULATOR	1	1	1					
7	1	129198-13500	ELBOW	1	1	1					
9	2	27233-250000	PLUG, 25	1	1	1					
10	1	104214-13580	JOINT	1	1	1					
11	1	129190-49130	PIPE, WATER	1	1	1					
12	1	123325-49421	JOINT, PIPE	1	1	1					
13	1	23000-035000	CLAMP, 35	2	2	2					
13-1	1	129670-49500	CLIP, HOSE 38	2	2	2					R
(A=*2000.11) (B=E/#A01888) (C=*2000.11)											
14	1	26703-080002	NUT, M8	4	4	4					
15	1	129470-13541	ELBOW	1	1	1					
16	1	129470-49050	PIPE, WATER	1	1	1					
17	1	123325-49421	JOINT, PIPE	1	1	1					
18	1	129472-13560	PLUG, PT3/4	1	1	1					
19	1	26703-080002	NUT, M8	4	4	4					

Fig.11. CAMSHAFT

Y00R4661

Fig. 11 カムシャフト
CAMSHAFT



(A)=3JH3E
(B)=3JH3E(EPA)
(C)=3JH3CE

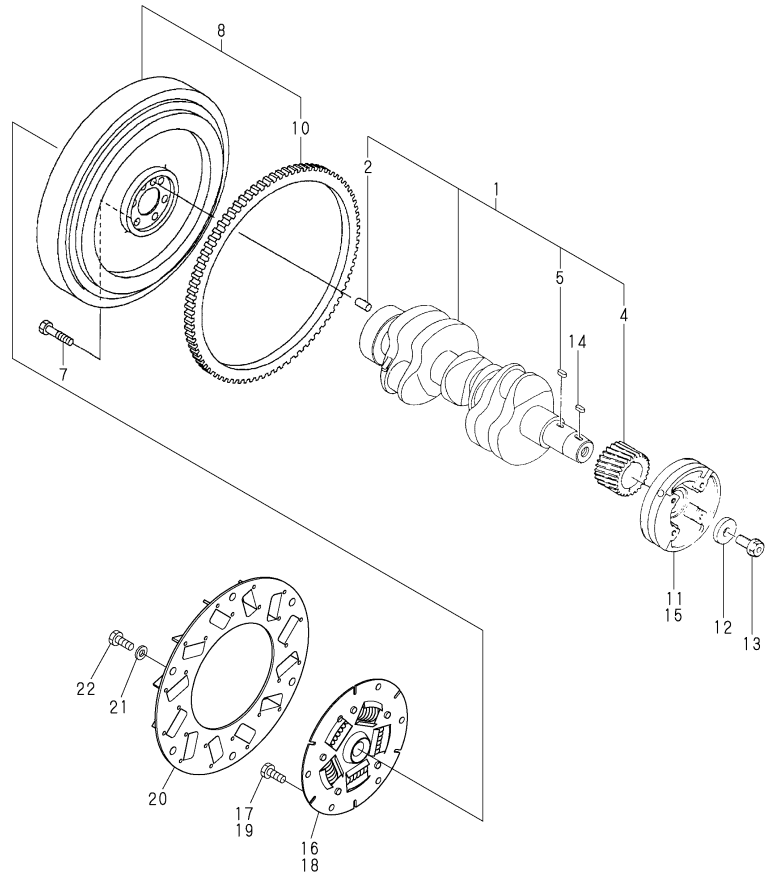
(D)=
(E)=
(F)=

No.	Lev.	Parts No.	Description	Qty						I	R
				(A)	(B)	(C)	(D)	(E)	(F)		
1	1	129150-14200	TAPPET	6	6	6					
2	1	129150-14400	ROD, PUSH L=178	6	6	6					
3	1	129129-14580	CAMSHAFT ASSY	1		1					
3A	1	129270-14000	CAMSHAFT ASSY		1						
4	2	129150-02450	BEARING, THRUST	1	1	1					
6	2	129150-14101	GEAR, CAMSHAFT	1	1	1					
7	2	22512-070140	KEY, 7X 14	1	1	1					
8	1	26106-080142	BOLT, M8X 14 PLATED	2	2	2					
9	1	129100-25061	SHAFT, IDLE	1	1	1					
10	1	129150-25101	GEAR ASSY, IDLE	1	1	1					
13	2	129150-25920	BUSH, IDLE GEAR	1	1	1					
14	1	26106-080452	BOLT, M8X 45 PLATED	2	2	2					

Fig.12. CRANKSHAFT & FLYWHEEL

Y00R4661

Fig. **12** クランクシャフト&フライホイール
CRANKSHAFT & FLYWHEEL



(A)=3JH3E
(B)=3JH3E(EPA)
(C)=3JH3CE
(D)=
(E)=
(F)=

No.	Lev.	Parts No.	Description	Qty						I	R
				(A)	(B)	(C)	(D)	(E)	(F)		
1	1	129001-21000	CRANKSHAFT ASSY	1	1	1					
2	2	129100-01580	PIN, M8X16	1	1	1					
4	2	129150-21200	GEAR, CRANKSHAFT	1	1	1					
5	2	22512-070140	KEY, 7X 14	1	1	1					
7	1	121111-21501	BOLT, FLYWHEEL	6	6	6					
8	1	129270-21590	FLYWHEEL ASSY	1		1					
8A	1	129270-21591	FLYWHEEL ASSY		1						
10	2	119865-21600	GEAR, RING	1	1	1					
11	1	129171-21650	V-PULLEY, FC25	1	1	1					
12	1	129795-21661	WASHER	1	1	1					
13	1	121850-21680	BOLT	1	1	1					
14	1	22512-070160	KEY, 7X 16	1	1	1					
15	1	129170-21650	V-PULLEY, S45C	1	1	1					1
16	1	177070-03520	DISK, DAMPER D190	1	1						
17	1	26106-080162	BOLT, M8X 16 PLATED	6	6						
18	1	177099-03500	DISK, DAMPER		1	1					2
19	1	26013-080142	BOLT, M8X 14		6	6					2
20	1	177073-03191	FAN	1	1						
20-1	1	129670-81850	FAN, FLYWHEEL	1	1						R
		(A=*1999.08)	(B=E/#A00447)								
21	1	22217-080000	WASHER, SPRING 8	6	6						
22	1	26106-080162	BOLT, M8X 16 PLATED	6	6						

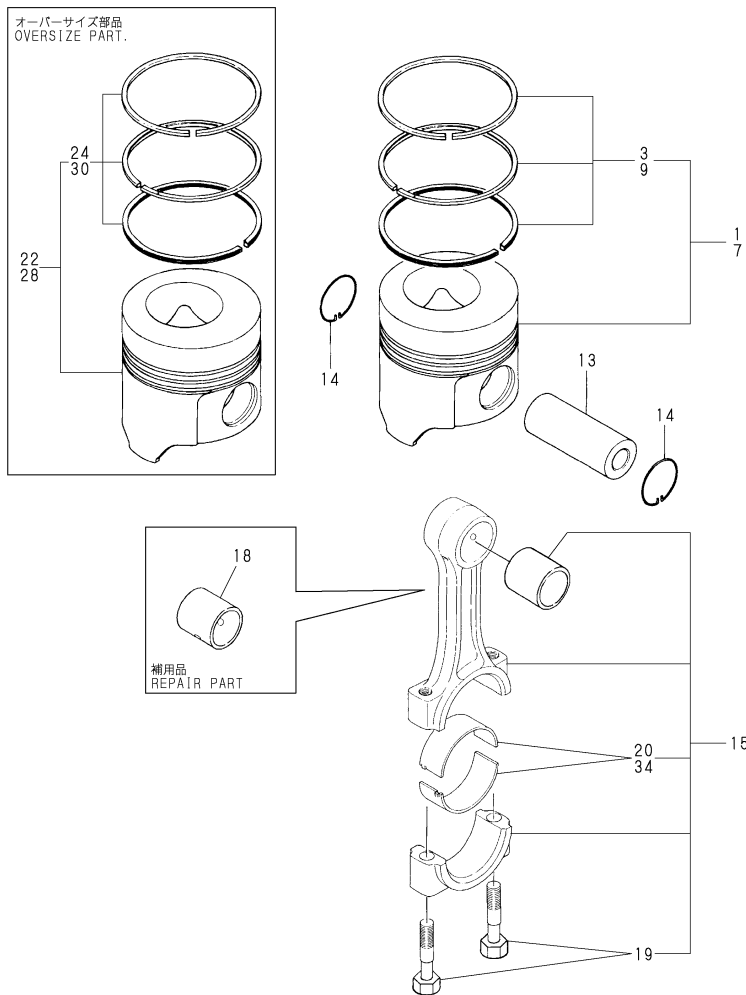
Remarks

- (1)OPTIONAL,PTO
- (2)A 3JH3E(EPA) IS AN OPTIONAL.

Fig.13. PISTON & CONNECTING ROD

Y00R4661

Fig. 13 ピストン&コネクティングロッド
PISTON & CONNECTING ROD



(A)=3JH3E
(B)=3JH3E(EPA)
(C)=3JH3CE

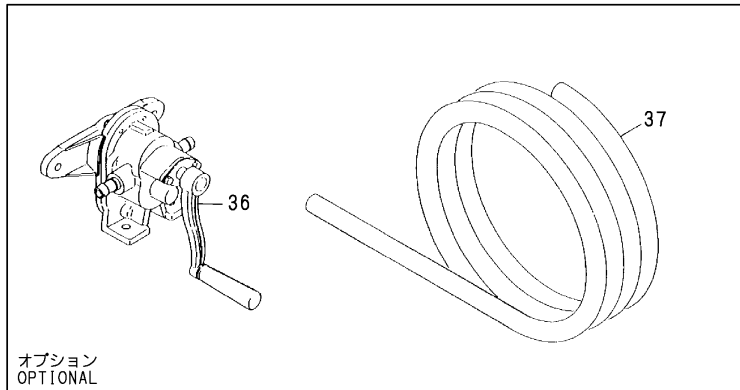
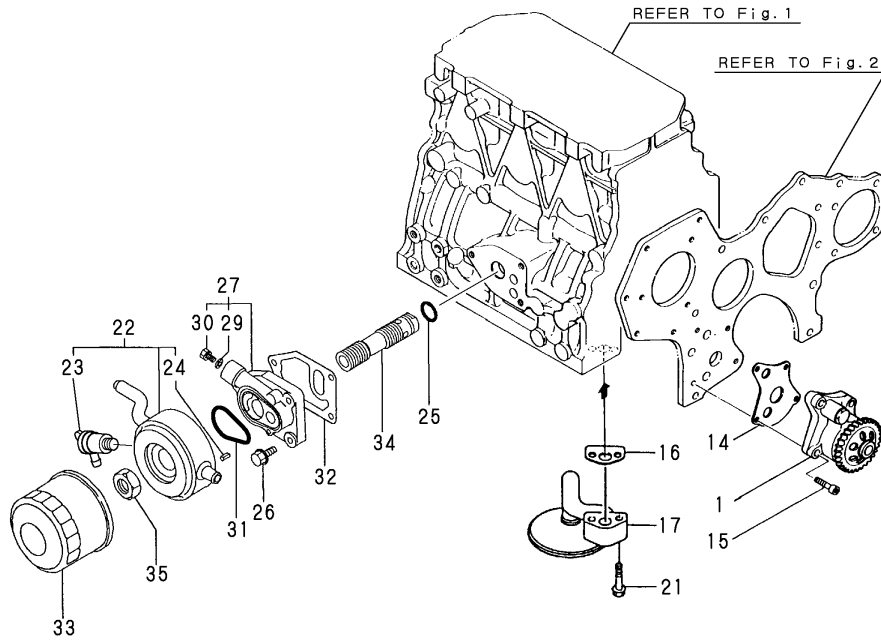
(D)=
(E)=
(F)=

No.	Lev.	Parts No.	Description	Q'ty						I	R
				(A)	(B)	(C)	(D)	(E)	(F)		
1	1	129670-22000	PISTON ASSY	3		3					
3	2	129002-22510	RING SET, PISTON	3		3					
7	1	129270-22000	PISTON ASSY			3					
7-1	1	129290-22000 (B=E/#A01802)	PISTON ASSY			3					R
9	2	129002-22510	RING SET, PISTON			3					
9-1	2	129690-22510 (B=E/#A01802)	RING SET, PISTON			3					R
13	1	129202-22300	PIN, PISTON D26 L70	3	3	3					
14	1	22252-000260	RING, 26	6	6	6					
15	1	729402-23100	ROD ASSY, CONNECTING	3	3	3					
18	2	129100-23910	BEARING, PISTON PIN	3	3	3					1
19	2	121550-23200	BOLT, CONNECTING ROD	6	6	6					
20	2	129150-23600	BEARING, CRANK PIN	3	3	3					
22	1	129670-22090	PISTON ASSY, 0.25 OS	3		3					2
24	2	129002-22950	RING SET, 0.25 OS	3		3					2
24-1	2	729690-22540 (A=EXXXX) (C=EXXXX)	RING SET, 0.25 OS	3		3					N
28	1	129270-22090	PISTON ASSY, 0.25 OS			3					2
30	2	129002-22950	RING SET, 0.25 OS			3					2
30-1	2	729690-22540 (B=EXXXX)	RING SET, 0.25 OS			3					N
34	1	129150-23610	BEARING, 0.25 US	3	3	3					3

Remarks

- (1)REPAIR PART
- (2)OVER SIZE(O.S=0.25)PART.
- (3)UNDER SIZE(U.S=0.25)PART.

Fig.14. LUB.OIL SYSTEM



(A)=3JH3E
(B)=3JH3E(EPA)
(C)=3JH3CE

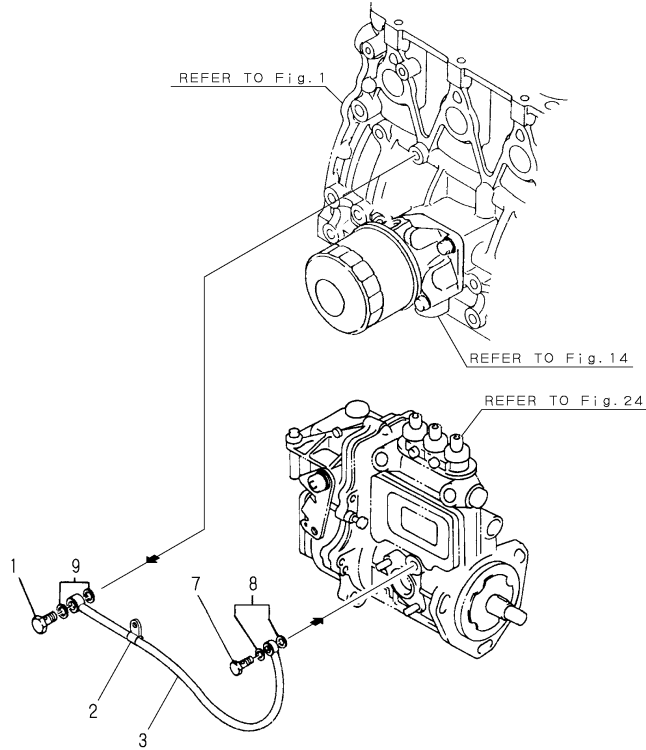
(D)=
(E)=
(F)=

No.	Lev.	Parts No.	Description	Qty						I	R
				(A)	(B)	(C)	(D)	(E)	(F)		
1	1	129670-32000	PUMP ASSY, OIL	1	1	1					
14	1	129150-32020	GASKET, PUMP	1	1	1					
15	1	26450-060252	BOLT, M6X 25	1	1	1					
16	1	129150-35041	GASKET	1	1	1					
17	1	129150-35091	PIPE ASSY, OIL INLET	1	1	1					
21	1	26106-080352	BOLT, M8X 35 PLATED	2	2	2					
22	1	129270-33000	COOLER ASSY, OIL	1	1	1					
23	2	129270-33050	COCK ASSY, DRAIN	1	1	1					
24	2	129120-33040	PIN	2	2	2					
25	1	24311-000160	O-RING, 1AP16.0	1	1	1					
26	1	26106-080252	BOLT, M8X 25 PLATED	3	3	3					
27	1	129120-35001	BRACKET ASSY	1	1	1					
29	2	23414-100000	GASKET, 10X1.0	1	1	1					
30	2	23881-100002	PLUG, 10	1	1	1					
31	1	129120-35110	GASKET	1	1	1					
32	1	129120-35121	GASKET	1	1	1					
33	1	119305-35150	FILTER, OIL	1	1	1					
34	1	129407-35300	BOLT, FILTER	1	1	1					
35	1	129150-35350	NUT	1	1	1					
36	1	124413-39100	PUMP ASSY, WASTE	1	1	1					
37	1	43720-001220	PIPE	1	1	1					

Fig.15. LUB.OIL PIPE

Y00R4661

Fig. **15** 潤滑油パイプ
LUB.OIL PIPE



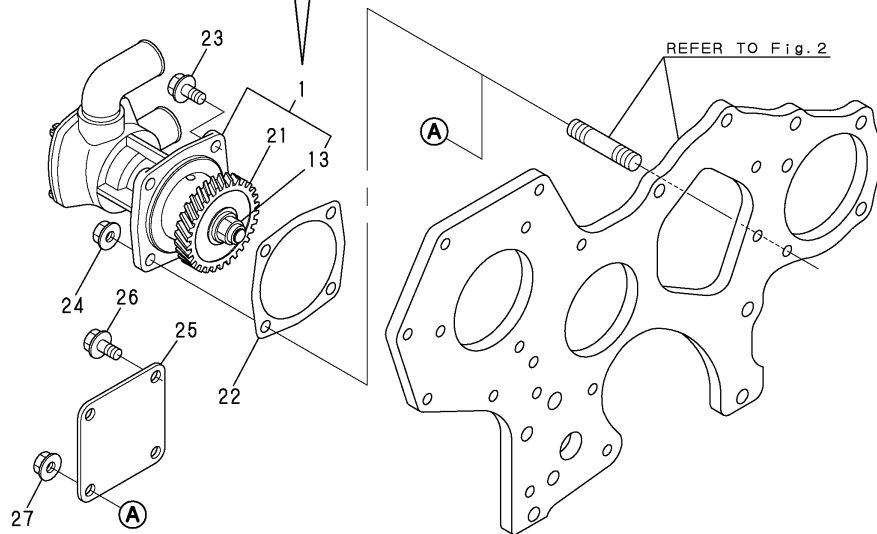
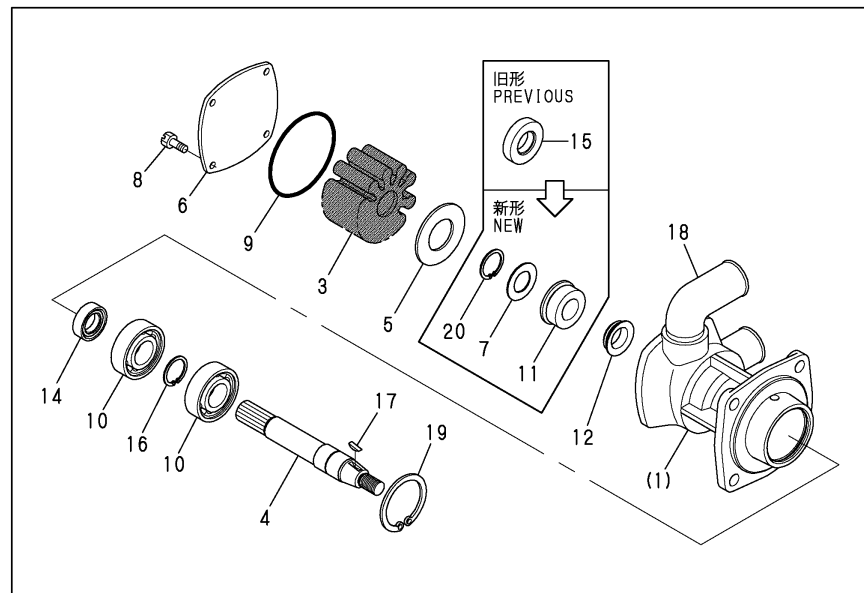
(A)=3JH3E
(B)=3JH3E(EPA)
(C)=3JH3CE

(D)=
(E)=
(F)=

No.	Lev.	Parts No.	Description	Q'ty						I	R
				(A)	(B)	(C)	(D)	(E)	(F)		
1	1	124160-39140	BOLT, PIPE JOINT M10	1	1	1					
2	1	124450-39240	RETAINER, PIPE	1	1	1					
3	1	129150-39450	PIPE ASSY, OIL	1	1	1					
7	1	124550-59820	BOLT, PIPE JOINT M8	1	1	1					
8	1	22190-080002	WASHER, SEAL 6	2	2	2					
9	1	23414-100000	GASKET, 10X1.0	2	2	2					

Fig.16. COOLING SEA WATER PUMP

P/C NEWS No. : Y00R4661-2
 PUBLISHED : 2005/4



(A)=3JH3E
 (B)=3JH3E(EPA)
 (C)=3JH3CE

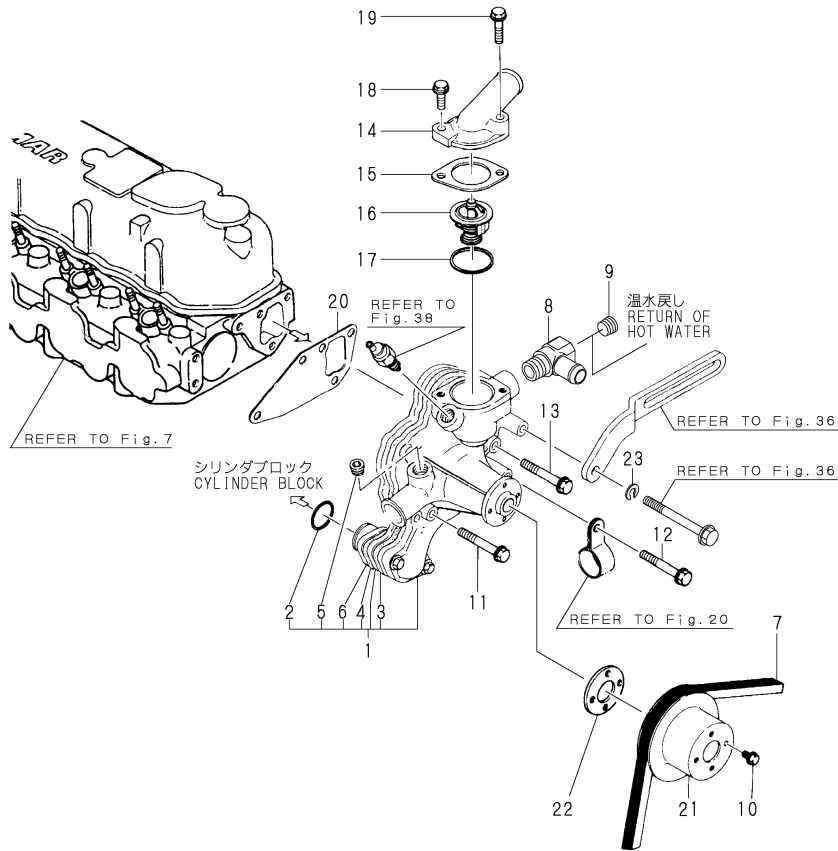
(D)=
 (E)=
 (F)=

No.	Lev.	Parts No.	Description	Qty						I	R
				(A)	(B)	(C)	(D)	(E)	(F)		
1	1	129670-42500	PUMP ASSY, WATER	1	1	1					
1-1	1	129670-42501	PUMP ASSY, WATER	1	1	1					R
		(A=*1999.10) (B=E/#A00583) (C=*1999.10)									
1-2	1	129670-42510	PUMP ASSY, WATER	1	1	1					N
		(A=*2000.02) (B=E/#A00948) (C=*2000.02)									
3	2	129670-42530	IMPELLER	1	1	1					
4	2	X0146531	SHAFT	1	1	1					
5	2	129670-42540	PLATE	1	1	1					
6	2	129670-42520	COVER	1	1	1					
7	2	129670-42550	WASHER	1	1	1					W
		(A=*2000.02) (B=E/#A00948) (C=*2000.02)									
8	2	X0504550	BOLT	4	4	4					
8-1	2	119175-42620	SCREW	4	4	4					R
		(A=FROM 1ST) (B=FROM 1ST) (C=FROM 1ST)									
9	2	X0506590	O-RING	1	1	1					
10	2	X0508129	BEARING	2	2	2					
11	2	129670-42560	SEAL, MECHANICAL	1	1	1					W
		(A=*2000.02) (B=E/#A00948) (C=*2000.02)									
12	2	X0519503	RING	1	1	1					
13	2	X0505526	NUT, LOCK	1	1	1					
14	2	X0529105	SEAL	1	1	1					
15	2	X0529530	SEAL, LIP	1	1	1					Z
		(A=*2000.02) (B=E/#A00948) (C=*2000.02)									
16	2	X053421	CIRCLIP	1	1	1					
17	2	129670-42580	KEY	1	1	1					
18	2	X01357681	CONNECTOR	1	1	1					
19	2	X0534130	CIRCLIP	1	1	1					
20	2	129670-42570	CIRCLIP	1	1	1					W
		(A=*2000.02) (B=E/#A00948) (C=*2000.02)									
21	1	129670-42700	GEAR, PUMP	1	1	1					
22	1	129150-01881	GASKET	1	1	1					
23	1	26106-080162	BOLT, M8X 16 PLATED	3	3	3					
24	1	26306-080002	NUT, M8	1	1	1					
25	1	124240-01871	COVER	1	1	1					
26	1	26106-080162	BOLT, M8X 16 PLATED	3	3	3					
27	1	26306-080002	NUT, M8	1	1	1					

Fig.17. COOLING FRESH WATER PUMP

Y00R4661

Fig. 17 冷却水ポンプ (清水)
COOLING FRESH WATER PUMP



(A)=3JH3E
(B)=3JH3E(EPA)
(C)=3JH3CE

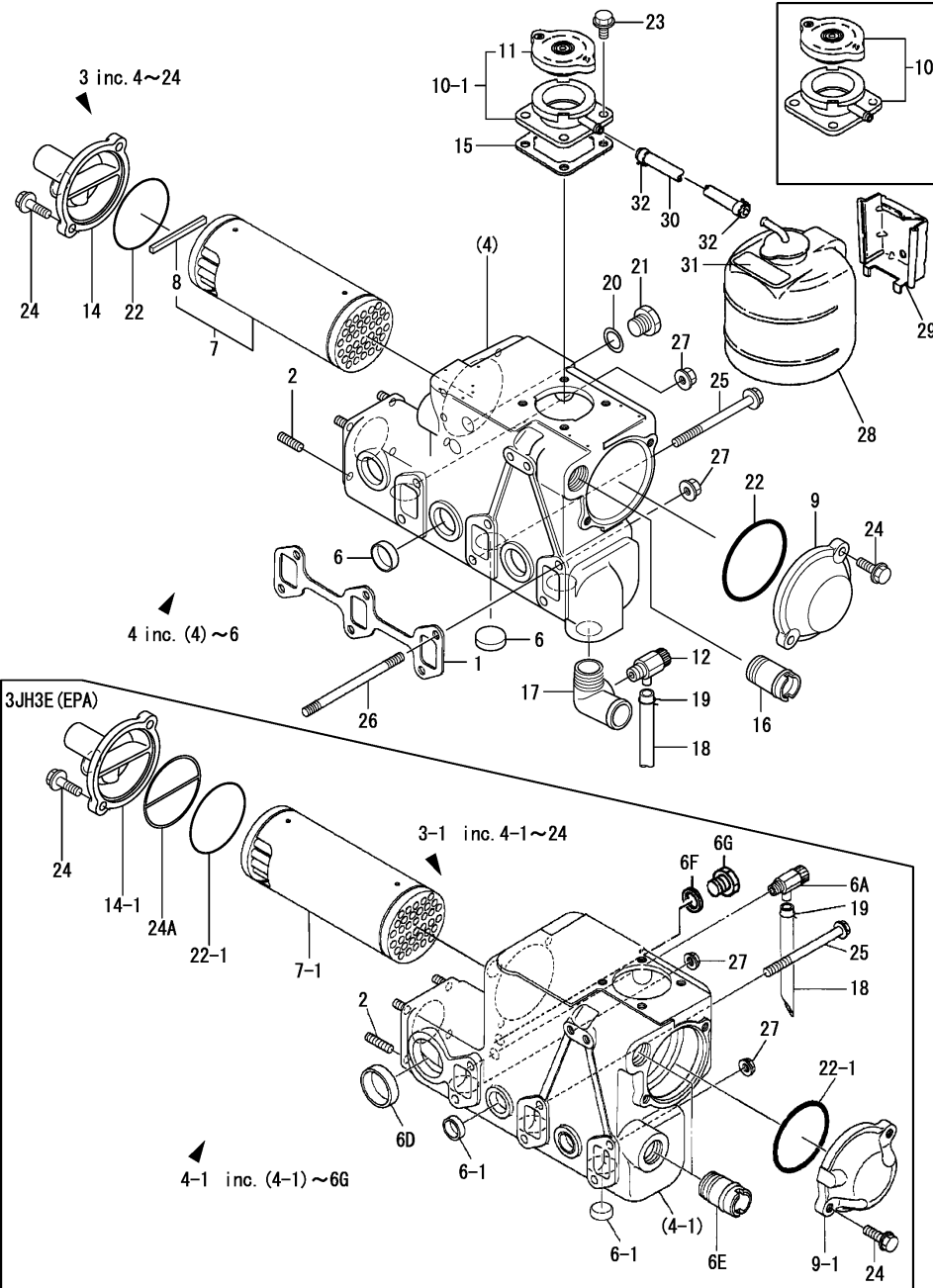
(D)=
(E)=
(F)=

No.	Lev.	Parts No.	Description	Q'ty						I	R
				(A)	(B)	(C)	(D)	(E)	(F)		
1	1	129470-42001	PUMP ASSY, WATER	1	1	1					
1-1	1	129470-42002	PUMP ASSY, WATER	1	1	1					R
		(A=*2001.11) (B=E/#A02855) (C=*2001.11)									
2	2	129150-42320	O-RING	1	1	1					
2-1	2	129054-42320	O-RING	1	1	1					N
		(A=*2001.11) (B=E/#A02855) (C=*2001.11)									
3	2	129470-42050	GASKET	1	1	1					
3-1	2	129052-42050	GASKET	1	1	1					R
		(A=*2001.11) (B=E/#A02855) (C=*2001.11)									
4	2	129470-42310	GASKET	1	1	1					
4-1	2	129052-42310	GASKET	1	1	1					R
		(A=*2001.11) (B=E/#A02855) (C=*2001.11)									
5	2	124085-11690	PLUG, 3/8	3	3	3					
5-1	2	23875-030000	PLUG, R03	3	3	3					S
		(A=*2001.11) (B=E/#A02855) (C=*2001.11)									
6	2	129150-42300	FLANGE	1	1	1					
7	1	171087-42280	V-BELT, A44	1	1	1					
7-1	1	25132-004500	V-BELT, A45		1						S
		(B=E/#A02416)									
8	1	129270-49410	JOINT	1	1	1					
9	1	23876-030000	PLUG, R03	1	1	1					
10	1	26106-060102	BOLT, M6X 10 PLATED	4	4	4					
11	1	26106-080552	BOLT, M8X 55 PLATED	2	2	2					
12	1	26106-080552	BOLT, M8X 55 PLATED	1	1	1					
13	1	26106-080552	BOLT, M8X 55 PLATED	1	1	1					
14	1	129470-49540	COVER, THERMOSTAT	1	1	1					
15	1	129795-49551	GASKET	1	1	1					
16	1	129470-49801	THERMOSTAT, 76.5	1	1	1					
17	1	129470-49810	GASKET, THERMOSTAT	1	1	1					
18	1	26106-080252	BOLT, M8X 25 PLATED	1	1	1					
19	1	26106-080352	BOLT, M8X 35 PLATED	1	1	1					
20	1	129150-42020	GASKET, WATER PUMP	1	1	1					
21	1	129550-42350	V-PULLEY, D=120	1	1	1					
22	1	129156-44760	WASHER	1	1	1					
23	1	22217-080000	WASHER, SPRING 8	1	1	1					

Fig.18. COOLING FRESH WATER COOLER

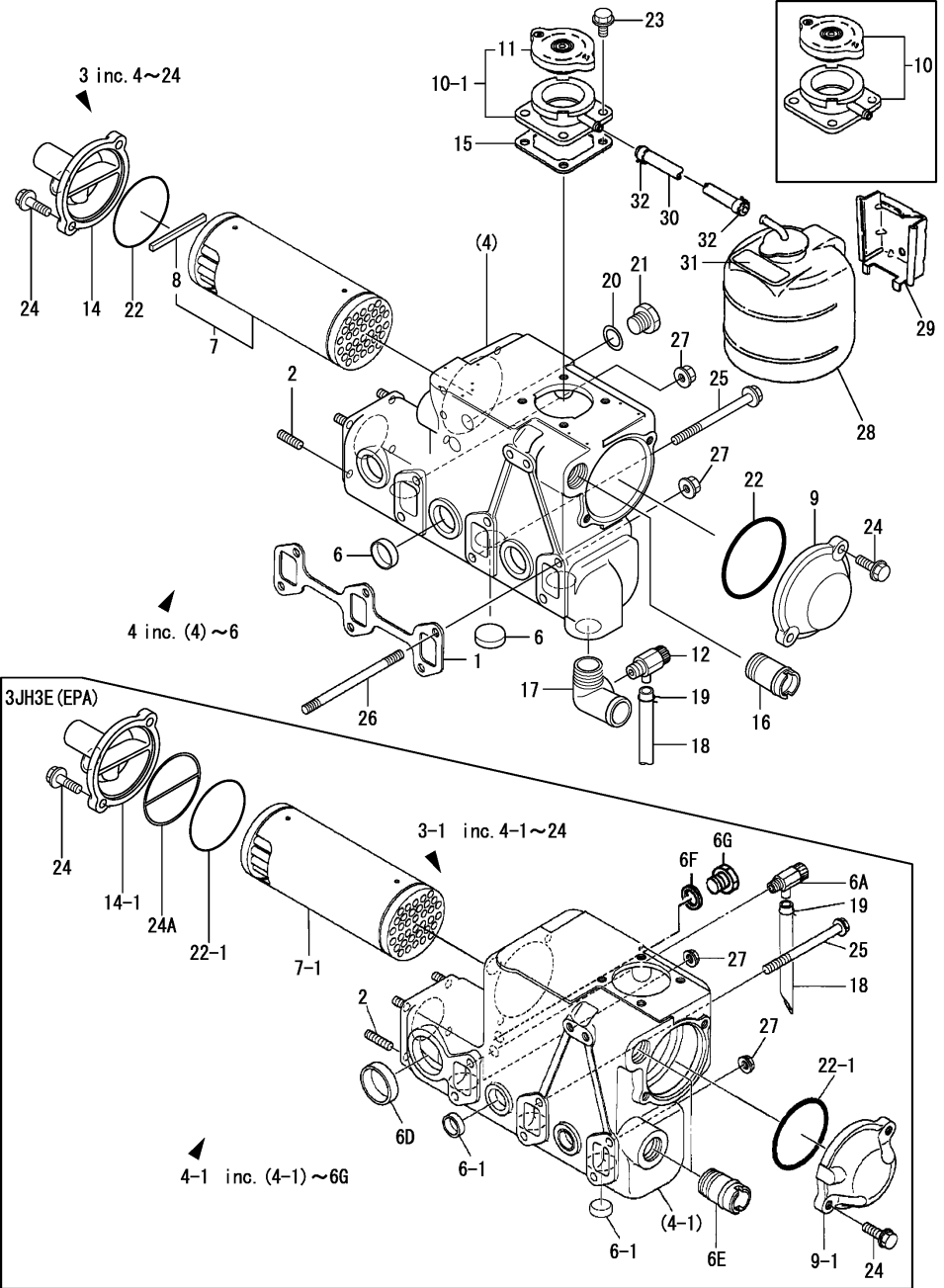
(A)=3JH3E
(B)=3JH3E(EPA)
(C)=3JH3CE

(D)=
(E)=
(F)=



No.	Lev.	Parts No.	Description	Q'ty						I	R
				(A)	(B)	(C)	(D)	(E)	(F)		
1	1	129150-13110	GASKET	1	1	1					
2	1	128170-13600	STUD, M8X31	4	4	4					
3	1	129270-44900	COOLER ASSY, WATER	1	1	1					
3-1	1	129170-44900 (B=E/#A02416)	COOLER ASSY, WATER		1						S
4	2	129270-44000	BODY ASSY, COOLER	1	1	1					
4-1	2	129170-44000 (B=E/#A02416)	COOLER ASSY, WATER		1						S
6	3	27241-280000	PLUG, 28	6	6	6					
6-1	3	27241-280000 (B=E/#A02416)	PLUG, 28		7						K
6A	3	120130-49350	COCK, 1/4		1						
6A-1	3	119620-49290 (B=E/#A00247)	COCK ASSY, 1/4		1						N
6D	3	27241-400000 (B=E/#A02416)	PLUG, 40		1						W
6E	3	124160-49480	JOINT, PIPE		2						
6F	3	23414-170000	GASKET, 17X1.0		1						
6G	3	23894-030002	PLUG, G3/8		1						
7	2	129270-44400	CORE ASSY, COOLER	1	1	1					
7-1	2	129170-44110 (B=E/#A02416)	CORE ASSY, COOLER		1						S
8	3	129270-44490 (A=FROM 1ST) (B=FROM 1ST) (C=FROM 1ST)	SEAL	1	1	1					W
9	2	129670-44420	COVER, COOLER	1	1	1					
9-1	2	129470-44450 (B=E/#A02416)	COVER, B		1						S
10	2	129670-44600	FILLER ASSY	1	1	1					
10-1	2	129171-44600 (A=*2001.01) (B=E/#A02014) (C=*2001.01)	FILLER ASSY	1	1	1					R
11	3	129107-44590 (A=*2001.01) (B=E/#A02014) (C=*2001.01)	CAP, RADIATOR	1	1	1					W
12	2	120130-49350	COCK, 1/4	2	2						
12-1	2	119620-49290 (A=*1999.04) (C=*1999.04)	COCK ASSY, 1/4	2	2						N
14	2	129670-44410	COVER, COOLER	1	1	1					
14-1	2	129470-44440 (B=E/#A02416)	COVER, A		1						S
15	2	120445-44640	GASKET	1	1	1					
16	2	124160-49480	JOINT, PIPE	1	1						
17	2	129171-49480	JOINT	1	1						
17-1	2	129270-49480 (A=E/#E20462) (C=E/#E20462)	ELBOW, PT3/4	1	1	1					R
17-2	2	129270-49480 (B=E/#A02416)	ELBOW, PT3/4		1						Z
18	2	23061-120300	PIPE, 12X 300	1	1	1					
19	2	23080-013000	CLAMP, 13	1	1	1					
20	2	23414-170000	GASKET, 17X1.0	1	1						
21	2	23894-030002	PLUG, G3/8	1	1	1					
22	2	24321-000800	O-RING, 1AG80.0	2	2	2					
22-1	2	24321-000750	O-RING, 1AG75.0		2						S

Fig.18. COOLING FRESH WATER COOLER



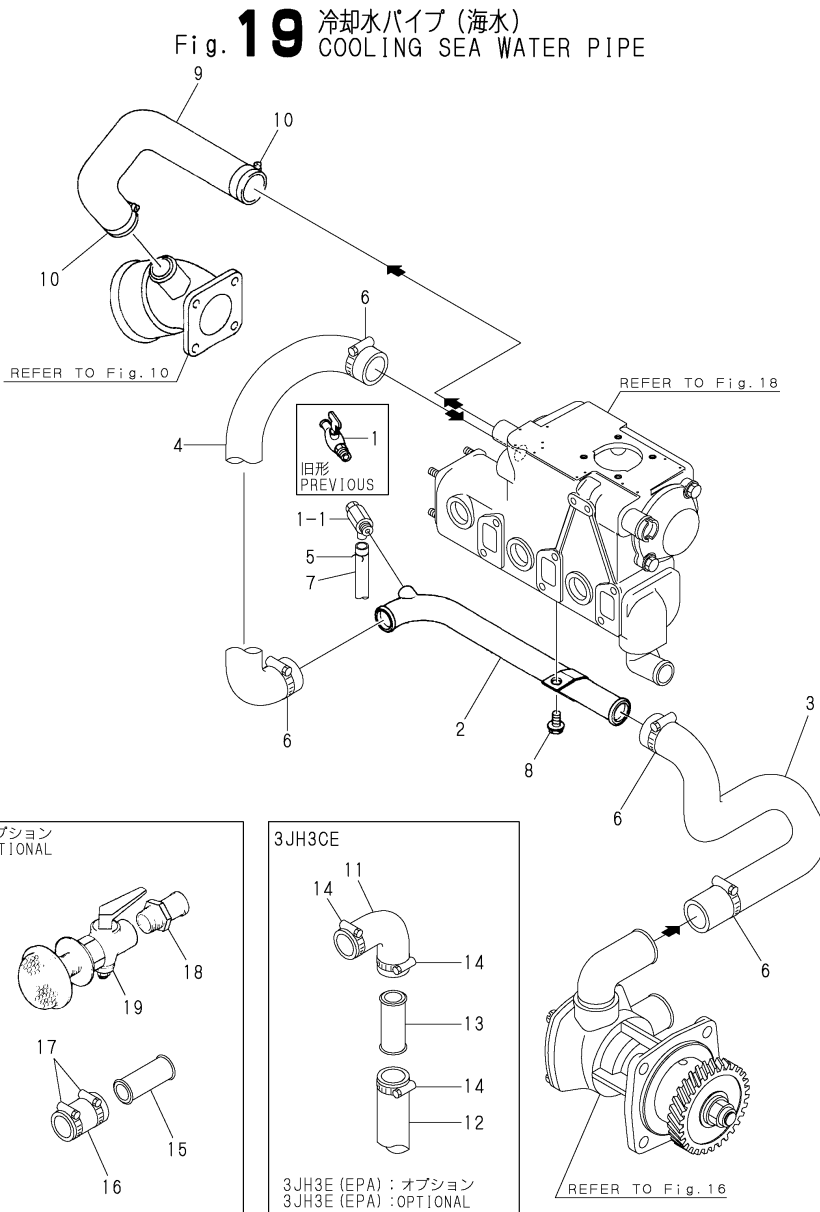
(A)=3JH3E
(B)=3JH3E(EPA)
(C)=3JH3CE

(D)=
(E)=
(F)=

No.	Lev.	Parts No.	Description	Q'ty						I	R
				(A)	(B)	(C)	(D)	(E)	(F)		
			(B=E/#A02416)								
23	2	26106-080162	BOLT, M8X 16 PLATED	4	4	4					
24	2	26106-080252	BOLT, M8X 25 PLATED	4	4	4					
24A	2	120322-33050	GASKET	1	1	1					W
		(A=EXXXXX) (B=EXXXXX) (C=EXXXXX)									
25	1	26106-081002	BOLT, M8X100 PLATED	4	4	4					
26	1	26216-081002	STUD, M8X100	2	2	2					
27	1	26306-080002	NUT, M8	2	2	2					
28	1	128397-44500	TANK ASSY, SUB	1	1	1					
29	1	128397-44510	BRACKET	1	1	1					
30	1	124790-44560	PIPE, WATER L=1000	1	1	1					
31	1	129670-44570	LABEL	1	1	1					
32	1	23010-013000	CLAMP 13	2	2	2					

Fig.19. COOLING SEA WATER PIPE

Y00R4661



(A)=3JH3E
(B)=3JH3E(EPA)
(C)=3JH3CE

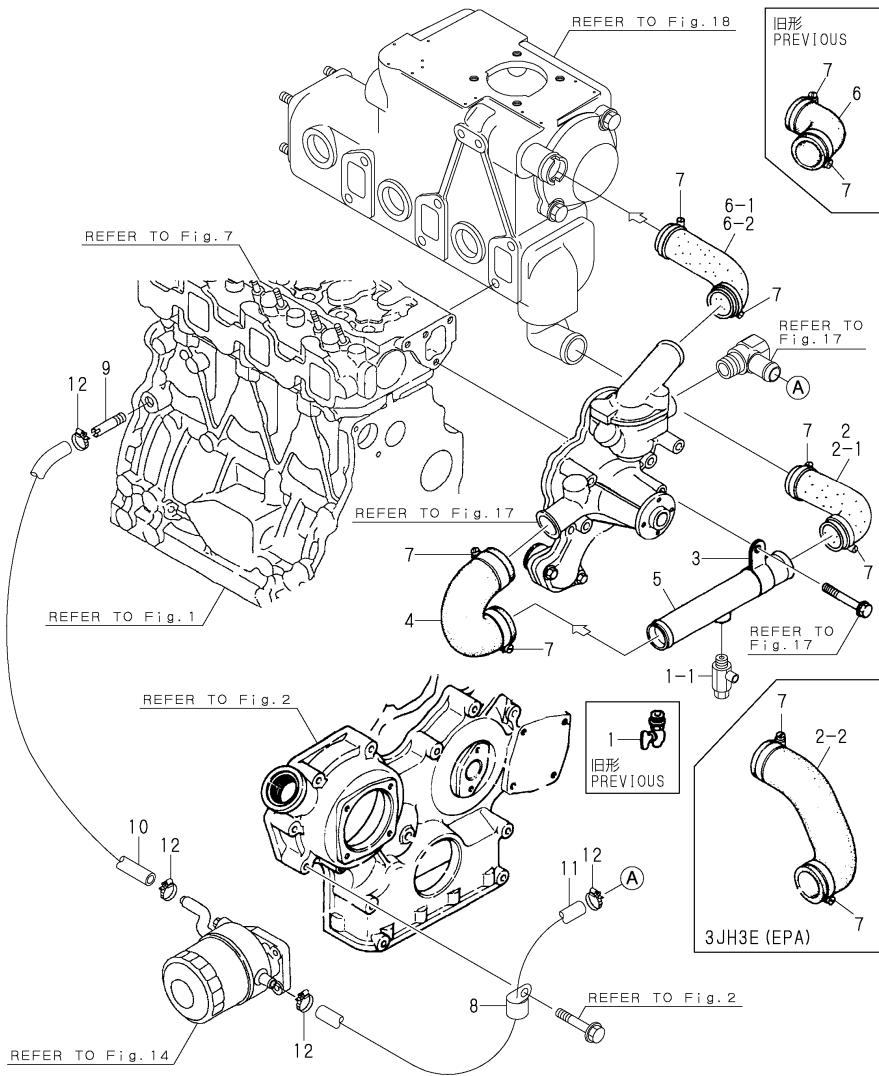
(D)=
(E)=
(F)=

No.	Lev.	Parts No.	Description	Qty						I	R
				(A)	(B)	(C)	(D)	(E)	(F)		
1	1	128695-44090	COCK	1	1	1					
1-1	1	129670-49290	COCK ASSY, R1/8	1	1	1					N
		(A=*1999.07) (B=E/#A00409) (C=*1999.07)									
2	1	129170-49010	PIPE, WATER	1	1	1					
3	1	129670-49010	PIPE, WATER	1	1	1					
3-1	1	129670-49110	PIPE, WATER	1	1	1					R
		(A=*2000.10) (B=E/#A01802) (C=*2000.10)									
4	1	129475-49020	PIPE, WATER	1	1	1					
4-1	1	129270-49040	PIPE, WATER	1	1	1					R
		(A=*2000.10) (B=E/#A01802) (C=*2000.10)									
5	1	124460-77680	RETAINER	1	1	1					
6	1	23000-035000	CLAMP, 35	4	4	4					
6-1	1	129670-49500	CLIP, HOSE 38	4	4	4					R
		(A=*2000.11) (B=E/#A01888) (C=*2000.11)									
7	1	23061-070300	PIPE, 7X 300	1	1	1					
8	1	26106-080162	BOLT, M8X 16 PLATED	1	1	1					
9	1	129475-49040	PIPE, WATER	1	1	1					
9-1	1	129670-49150	PIPE, WATER	1	1	1					R
		(A=*2000.10) (B=E/#A01802) (C=*2000.10)									
10	1	23000-035000	CLAMP, 35	2	2	2					
10-1	1	129670-49500	CLIP, HOSE 38	2	2	2					R
		(A=*2000.11) (B=E/#A01888) (C=*2000.11)									
11	1	129474-49010	PIPE, WATER		1	1					
12	1	129170-49060	PIPE, WATER		1	1					
13	1	129490-49070	JOINT		1	1					
14	1	23000-035000	CLAMP, 35		4	4					
14-1	1	129670-49500	CLIP, HOSE 38		4	4					R
		(B=E/#A01888) (C=*2000.11)									
15	1	129490-49070	JOINT	1	1	1					
16	1	129171-49900	JOINT, RUBBER	1	1	1					
17	1	23000-035000	CLAMP, 35	2	2	2					
17-1	1	129670-49500	CLIP, HOSE 38	2	2	2					R
		(A=*2000.11) (B=E/#A01888) (C=*2000.11)									
18	1	43530-500570	JOINT	1	1	1					
19	1	43662-025030	COCK ASSY, SEA WATER	1	1	1					

Fig.20. COOLING FRESH WATER PIPE

Y00R4661

Fig. 20 冷却水パイプ (清水)
COOLING FRESH WATER PIPE



(A)=3JH3E
(B)=3JH3E(EPA)
(C)=3JH3CE

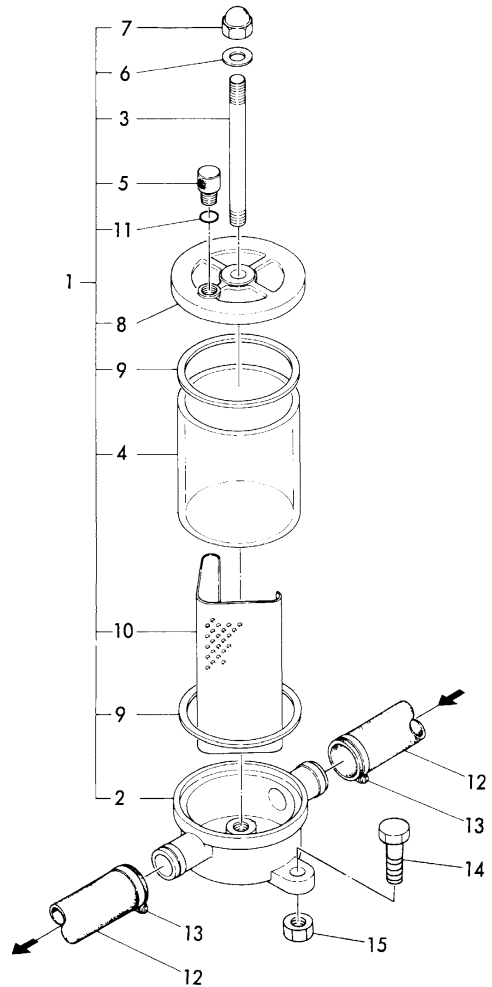
(D)=
(E)=
(F)=

No.	Lev.	Parts No.	Description	Qty						I	R
				(A)	(B)	(C)	(D)	(E)	(F)		
1	1	128695-44090	COCK	1	1	1					
1-1	1	129670-49290	COCK ASSY, R1/8	1	1	1					N
		(A=*1999.07) (B=E/#A00409) (C=*1999.07)									
2	1	129171-49200	JOINT, RUBBER	1	1	1					
2-1	1	129270-49210	PIPE, WATER	1	1	1					R
		(A=*2000.10) (B=E/#A01802) (C=*2000.10)									
2-2	1	129673-49220	PIPE, WATER		1						S
		(B=E/#A02416)									
3	1	129470-49220	RETAINER	1	1	1					
4	1	129470-49240	JOINT, RUBBER 28	1	1	1					
4-1	1	129673-49230	PIPE, WATER		1						R
		(B=E/#A00948)									
5	1	129470-49250	PIPE, WATER	1	1	1					
6	1	129470-49260	JOINT, RUBBER	1	1	1					
6-1	1	129171-49200	JOINT, RUBBER	1	1	1					R
		(A=*2000.01) (B=E/#A00838) (C=*2000.01)									
6-2	1	129270-49210	PIPE, WATER	1	1	1					R
		(A=*2000.10) (B=E/#A01802) (C=*2000.10)									
7	1	23000-041000	CLAMP, 41	6	6	6					
7-1	1	129670-49500	CLIP, HOSE 38		6						R
		(B=E/#A01888)									
8	1	129150-03100	RETAINER, PIPE	1	1	1					
9	1	104207-44480	JOINT	1	1	1					
10	1	129012-49030	HOSE, WATER	1	1	1					
11	1	129403-49050	PIPE, WATER	1	1	1					
12	1	23000-022000	CLAMP, 22	4	4	4					

Fig.21. C.S.W.STRAINER(OPTIONAL)

Y00R4661

Fig. 21 冷却水フィルタ (海水, オプション)
C. S. W. STRAINER (OPTIONAL)



(A)=3JH3E
(B)=3JH3E(EPA)
(C)=3JH3CE

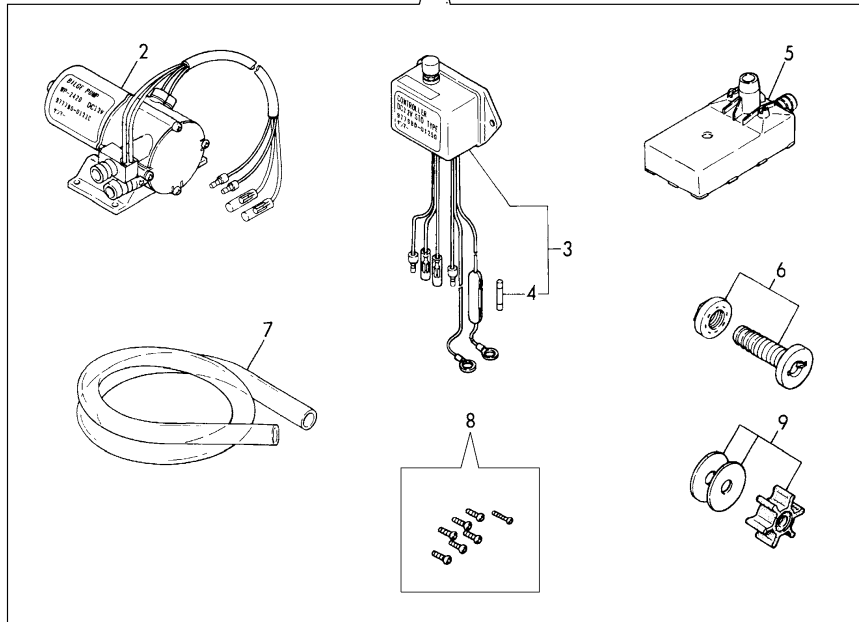
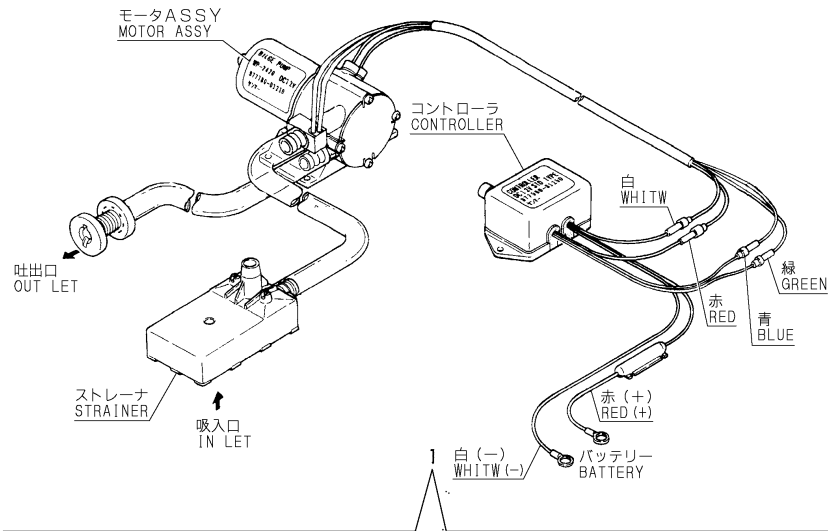
(D)=
(E)=
(F)=

No.	Lev.	Parts No.	Description	Q'ty						I	R
				(A)	(B)	(C)	(D)	(E)	(F)		
1	1	129795-48800	STRAINER	1	1	1					
2	2	XTST25S001	BODY	1	1	1					
3	2	XTST25S002	BOLT M 8X125	1	1	1					
4	2	XTST25S003	PIPE, OUTER	1	1	1					
5	2	XTST25S004	PLUG M 8	1	1	1					
6	2	XTST25S005	PACKING	1	1	1					
7	2	26664-080002	NUT, CAP M8	1	1	1					
8	2	XTST25S007	COVER	1	1	1					
9	2	XTST25S008	PACKING	2	2	2					
10	2	XTST25S009	FILTER	1	1	1					
11	2	24311-000060	O-RING, 1AP6.0	1	1	1					
12	1	23072-101000	HOSE, 10X1000	1	1	1					
13	1	23000-041000	CLAMP, 41	2	2	2					
13-1	1	129670-49500	CLIP, HOSE 38	2	2	2					R
(A=*2000.11) (B=E/#A01888) (C=*2000.11)											
14	1	26116-080302	BOLT, M8X 30 PLATED	2	2	2					
15	1	26703-080002	NUT, M8	2	2	2					

Fig.22. BILGE PUMP(STD,OPTIONAL)

Y00R4661

Fig. 22 ビルジポンプ (STD, オプション)
BILGE PUMP (STD,OPTIONAL)



(A)=3JH3E
(B)=3JH3E(EPA)
(C)=3JH3CE

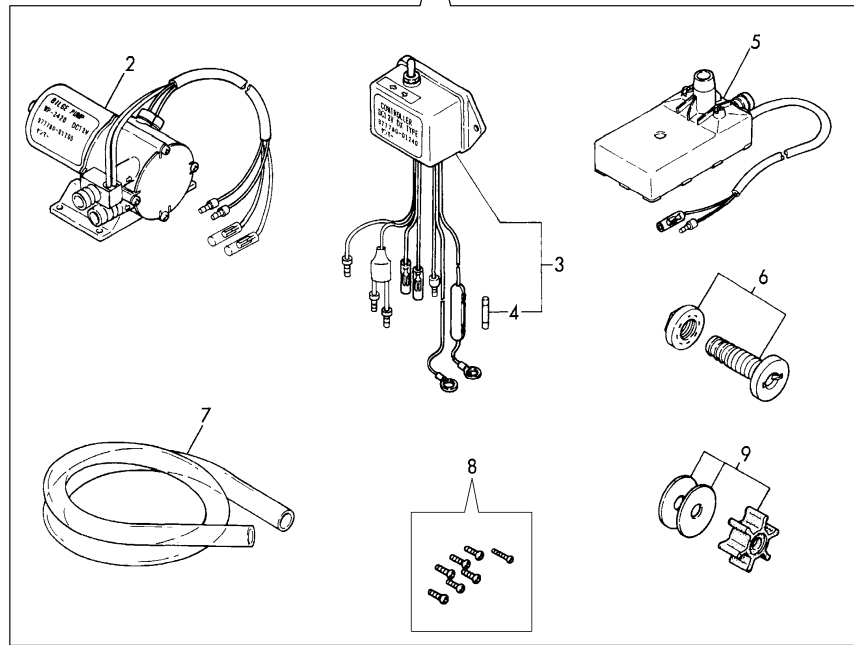
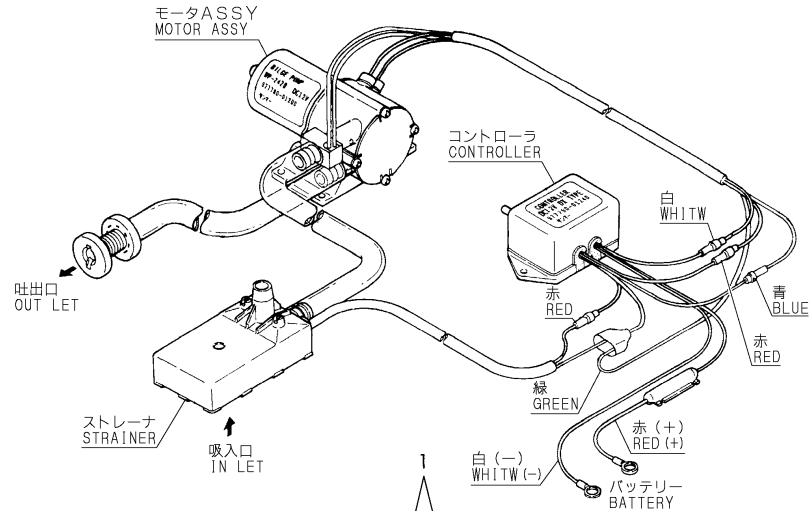
(D)=
(E)=
(F)=

No.	Lev.	Parts No.	Description	Qty						I	R
				(A)	(B)	(C)	(D)	(E)	(F)		
1	1	977780-01210	PUMP(12V),BILGE	1	1	1					
2	2	977780-01230	MOTOR ASSY(BILG PUMP)	1	1	1					
3	2	977780-01250	CONTROLLER	1	1	1					
4	3	X8636008003	FUSE	1	1	1					
5	2	X179100021X	STRAINER	1	1	1					
6	2	X179100100X	PIPE ASSY	1	1	1					
7	2	X0044021509	HOSE A	1	1	1					
8	2	X199903800X	SCREW KIT	1	1	1					
9	2	977780-03000	INPELLER	1	1	1					

Fig.23. BILGE PUMP(DX,OPTIONAL)

Y00R4661

Fig. 23 ビルジポンプ (DX, オプション)
BILGE PUMP (DX, OPTIONAL)



(A)=3JH3E
(B)=3JH3E(EPA)
(C)=3JH3CE

(D)=
(E)=
(F)=

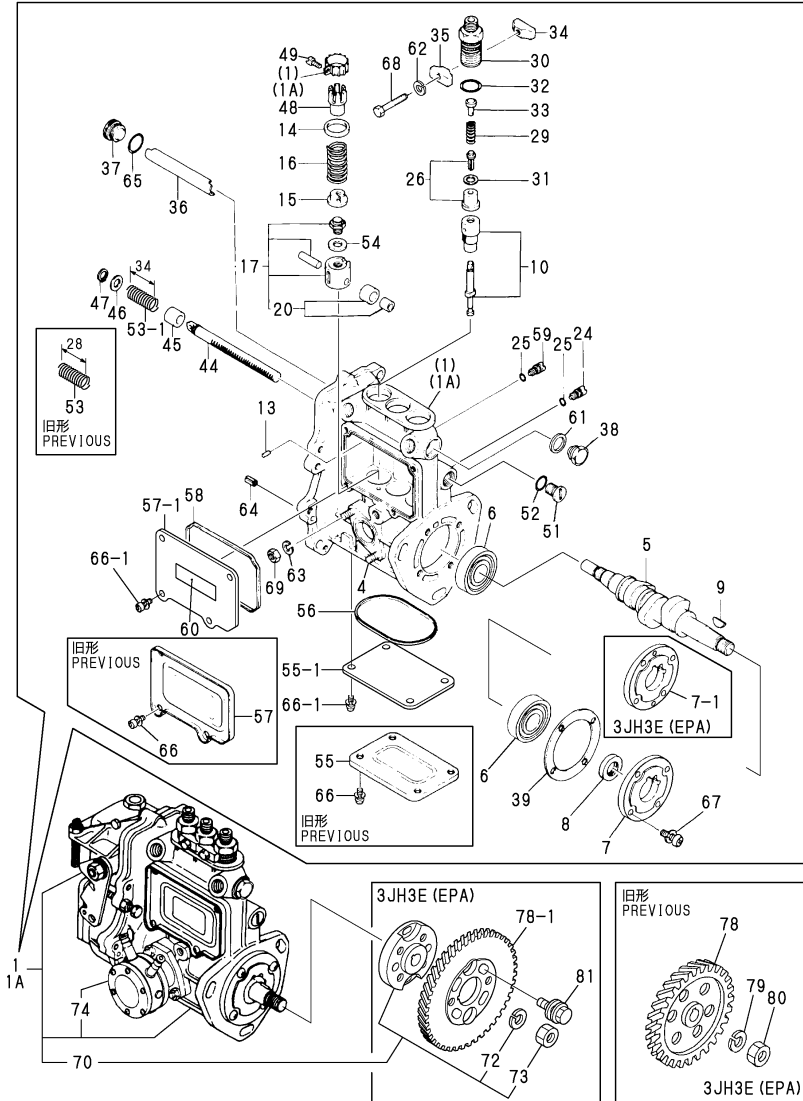
No.	Lev.	Parts No.	Description	Q'ty						I	R
				(A)	(B)	(C)	(D)	(E)	(F)		
1	1	977780-01200	PUMP(12V).BILGE	1	1	1					
2	2	977780-01230	MOTOR ASSY(BILG PUMP)	1	1	1					
3	2	977780-01240	CONTROLLER	1	1	1					
4	3	X8636008003	FUSE	1	1	1					
5	2	X179100011X	STRAINER	1	1	1					
6	2	X179100100X	PIPE ASSY	1	1	1					
7	2	X0044021509	HOSE A	1	1	1					
8	2	X199903800X	SCREW KIT	1	1	1					
9	2	977780-03000	INPELLER	1	1	1					

Fig.24. FUEL INJECTION PUMP

(A)=3JH3E
(B)=3JH3E(EPA)
(C)=3JH3CE

(D)=
(E)=
(F)=

P/C NEWS No:Y00R4661-1
PUBLISHED:2004/5



No.	Lev.	Parts No.	Description	Qty						I	R	
				(A)	(B)	(C)	(D)	(E)	(F)			
1	1	729270-51300	PUMP ASSY, INJECTION	1		1						1
1A	1	729270-51450	PUMP ASSY, INJECTION		1							1
4	3	129155-51020	STUD	2	2	2						
5	3	129171-51040	CAMSHAFT	1	1	1						
6	3	122710-51050	BEARING, HR30203J	2	2	2						
7	3	129470-51060	RETAINER, BEARING	1	1	1						
7-1	3	129486-51060 (B=E/#A01140)	SUPPORT, CAMSHAFT		1							S
8	3	129470-51080	SEAL, AF0741F0	1	1	1						
9	3	122710-51090	KEY	1	1	1						
10	3	129470-51101	PLUNGER ASSY	3	3	3						
13	3	129155-51140	PIN	3	3	3						
14	3	174307-51170	RETAINER, SPRING A	3	3	3						
15	3	129155-51180	RETAINER, SPRING	3	3	3						
16	3	124950-51190	SPRING, PLUNGER	3	3	3						
17	3	129155-51200	TAPPET ASSY	3	3	3						
20	4	711100-51540	ROLLER ASSY	3	3	3						
24	3	129155-51270	STOPPER, TAPPET	3	3	3						
25	3	129155-51280	O-RING, S6	4	4	4						
26	3	129670-51300	VALVE ASSY, DELIVERY	3	3	3						
29	3	129573-51330	SPRING, DELIVERY	3	3	3						
30	3	129573-51340	RETAINER	3	3	3						
31	3	124550-51350	GASKET, DELIVERY	3	3	3						
32	3	124550-51370	O-RING	3	3	3						
33	3	129573-51370	STOPPER, VALVE	3	3	3						
34	3	129155-51380	STOPPER	2	2	2						
35	3	129155-51390	STOPPER	2	2	2						
36	3	129155-51400	DEFLECTOR	1	1	1						
37	3	129155-51410	BOLT	1	1	1						
38	3	129155-51420	PLUG, M16	1	1	1						
39	3	129155-51450	SHIM SET, ADJUSTING	1	1	1						
44	3	129155-51500	RACK, CONTROL	1	1	1						
45	3	129155-51521	BUSH, RACK	1	1	1						
46	3	129155-51530	SPACER	1	1	1						
47	3	129155-51540	CIRCLIP	1	1	1						
48	3	129155-51550	PINION, CONTROL	3	3	3						
49	3	122117-51560	SCREW	3	3	3						
49-1	3	129100-51570	SCREW	3	3	3						N
		(A=*2001.02) (B=E/#A02086) (C=*2001.02)										
51	3	129155-51570	PLUG, M12	1	1	1						
52	3	129155-51580	O-RING	1	1	1						
53	3	129155-51591	SPRING, RACK	1	1	1						
53-1	3	129190-51590	SPRING, RACK	1	1	1						N
		(A=*2003.12) (B=*2003.12) (C=*2003.12)										
54	3	129155-51600	SHIM SET, ADJUSTING	3	3	3						
55	3	129155-51700	COVER	1	1	1						
55-1	3	129155-51701	COVER	1	1	1						F 2
		(A=*2000.01) (B=E/#A00838) (C=*2000.01)										
56	3	129155-51710	GASKET	1	1	1						
56-1	3	129155-51711	GASKET	1	1	1						N
		(A=*2000.10) (B=E/#A01802) (C=*2000.10)										

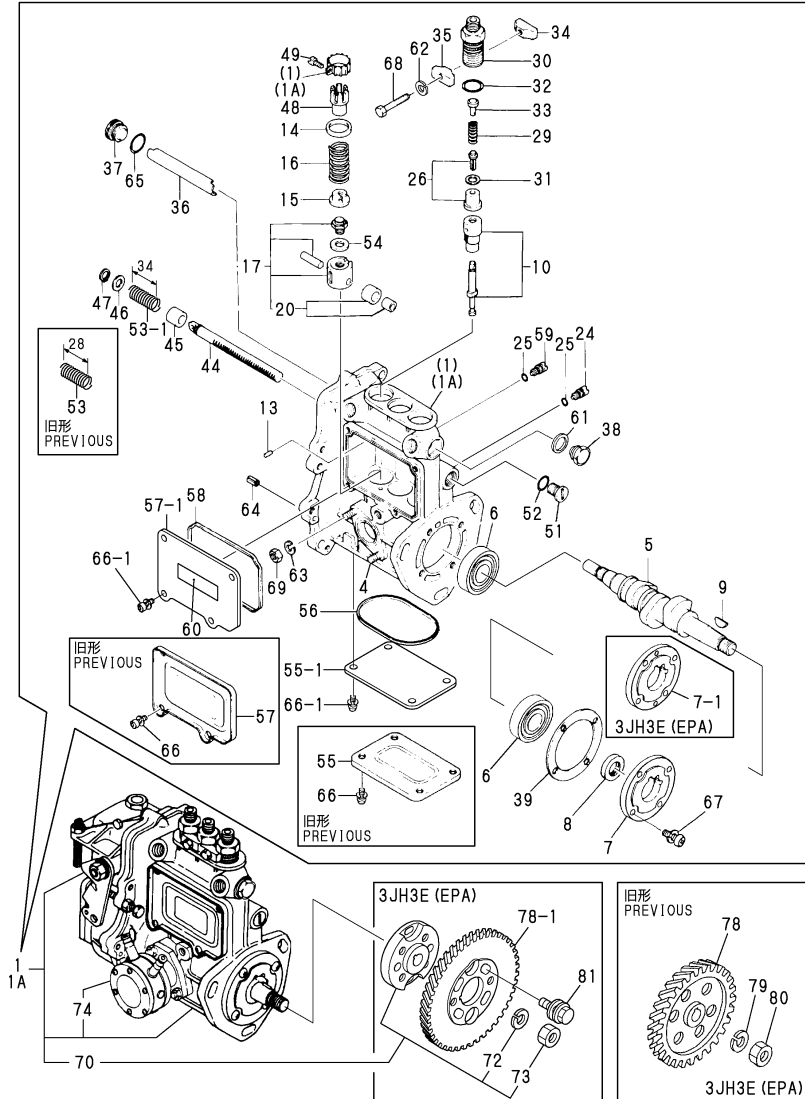
Remarks

(1)GOVERNOR ASSY(FIG.25) AND FUEL FEED PUMP ASSY(FIG.26) IS INCORPORATED IN THIS FOEL INJECTION PUMP ASSY(REF.NO.1)
(2)INTERCHANGEABLE BY SIMULTANEOUS REPLACEMENT WITH REF.NO.66-1.

Fig.24. FUEL INJECTION PUMP

(A)=3JH3E
 (B)=3JH3E(EPA)
 (C)=3JH3CE
 (D)=
 (E)=
 (F)=

P/C NEWS No:Y00R4661-1
 PUBLISHED:2004/5



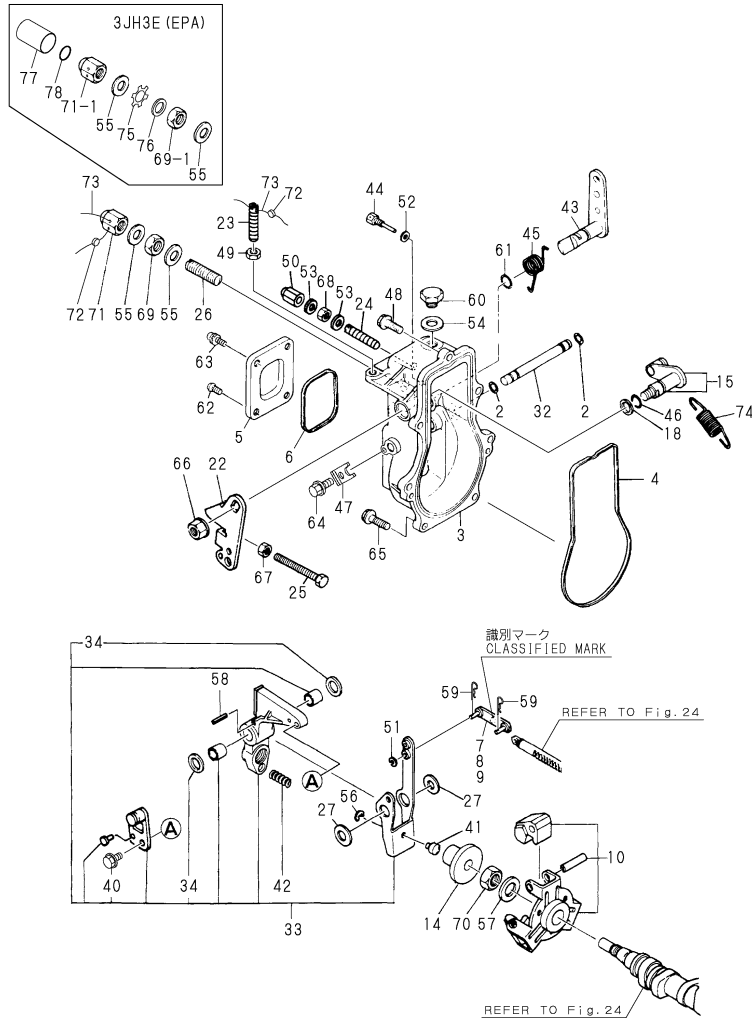
No.	Lev.	Parts No.	Description	Qty						I	R
				(A)	(B)	(C)	(D)	(E)	(F)		
57	3	129155-51750	COVER	1	1	1					
57-1	3	129155-51751	COVER	1	1	1					F 2
		(A=*2000.01) (B=E/#A00838) (C=*2000.01)									
58	3	129155-51760	GASKET	1	1	1					
58-1	3	129155-51761	GASKET	1	1	1					N
		(A=*2003.10) (B=*2003.10) (C=*2003.10)									
59	3	129155-51790	STOOPER, RACK	1	1	1					
60	3	129156-51910	LABEL, CAUTION	1	1	1					
61	3	22190-160002	WASHER, SEAL 16	1	1	1					
62	3	22217-050000	WASHER, SPRING 5	2	2	2					
63	3	22217-060000	WASHER, SPRING 6	2	2	2					
64	3	22351-050010	PIN, SPRING 5.0X10	2	2	2					
65	3	24341-000160	O-RING, 1AS16.0	1	1	1					
66	3	26022-050102	SCREW, M5X10	8	8	8					
66-1	3	26022-050122	SCREW, M5X12	8	8	8					N
		(A=*2000.01) (B=E/#A00838) (C=*2000.01)									
67	3	26022-060162	SCREW, M6X16	4	4	4					
68	3	26116-050302	BOLT, M5X 30 PLATED	2	2	2					
69	3	26716-060002	NUT, M6	2	2	2					
70	3	129208-54500	FLANGE ASSY			1					W
		(B=E/#A01140)									
72	4	22217-120000	WASHER, SPRING 12			1					W
		(B=E/#A01140)									
73	4	26716-120002	NUT, M12			1					W
		(B=E/#A01140)									
74	2	129158-52000	PUMP ASSY, FUEL FEED	1	1	1					
78	1	129573-25900	GEAR, PUMP			1					
78-1	1	129150-25931	GEAR, PUMP			1					S
		(B=E/#A01140)									
79	1	22217-120000	WASHER, SPRING 12			1					Z
		(B=E/#A01140)									
80	1	26716-120002	NUT, M12			1					Z
		(B=E/#A01140)									
81	1	129150-25301	BOLT			4					W
		(B=E/#A01140)									

Remarks
 (1)GOVERNOR ASSY(FIG.25) AND FUEL
 FEED PUMP ASSY(FIG.26) IS
 INCORPORATED IN THIS FOEL
 INJECTION PUMP ASSY(REF.NO.1)
 (2)INTERCHANGEABLE BY SIMULTANEOUS
 REPLACEMENT WITH REF.NO.66-1.

Fig.25. GOVERNOR

Y00R4661

Fig. 25 ガバナ GOVERNOR



(A)=3JH3E
(B)=3JH3E(EPA)
(C)=3JH3CE

(D)=
(E)=
(F)=

No.	Lev.	Parts No.	Description	Q'ty						I	R
				(A)	(B)	(C)	(D)	(E)	(F)		
2	2	129155-51280	O-RING, S6	1	1	1					
3	2	129155-61013	CASE, GOVERNOR	1	1	1					
4	2	129155-61050	GASKET	1	1	1					
5	2	129155-61060	COVER, GOVERNOR CASE	1	1	1					
6	2	129155-61070	GASKET	1	1	1					
7	2	129155-61120	LINK, L=30 MARK 0	1	1	1					1
8	2	129155-61130	LINK, L=31 MARK 1	1	1	1					1
9	2	129155-61140	LINK, L=30.5 MARK 05	1	1	1					1
10	2	129155-61201	WEIGHT ASSY,GOVERNOR	1		1					
10-1	2	129155-61202	WEIGHT ASSY,GOVERNOR	1		1					R
		(A=*2000.01)	(C=*2000.01)								
10-2	2	129595-61201	WEIGHT ASSY,GOVERNOR	1		1					S
		(A=E/XXX)	(C=E/XXX)								
10A	2	129155-61201	WEIGHT ASSY,GOVERNOR		1						
10A-1	2	129486-61200	WEIGHT ASSY,GOVERNOR		1						S
		(B=E/#A00583)									
10A-2	2	129486-61201	WEIGHT ASSY,GOVERNOR		1						R
		(B=E/#A00838)									
14	2	129155-61341	SLEEVE	1	1	1					
15	2	129100-61400	SHAFT ASSY	1	1	1					
18	2	129155-61430	SPACER	1	1	1					
22	2	129499-61440	LEVER, CONTROL	1	1	1					
23	2	129155-61450	BOLT, LIMITER	1	1	1					
24	2	129155-61450	BOLT, LIMITER	1	1	1					
25	2	129155-61460	BOLT, IDLE	1	1	1					
26	2	129155-61470	BOLT, CONTROL	1	1	1					
26-1	2	120323-61470	BOLT, CONTROL		1						S
		(B=E/#A00583)									
27	2	129155-61480	SPACER ASSY	2	2	2					
32	2	119660-61491	SHAFT	1	1	1					
32-1	2	119660-61590	SHAFT	1	1	1					N
		(A=*2000.04)	(B=E/#A01140)								
33	2	129500-61501	LEVER ASSY, GOVERNOR	1		1					
33-1	2	129570-61500	LEVER ASSY, GOVERNOR	1	1	1					R
		(A=E/#20354)	(C=E/#20354)								
33-2	2	129270-61500	LEVER ASSY, GOVERNOR	1	1	1					S
		(A=*1999.10)	(B=E/#A00583)								
34	3	174307-51700	SHIM SET	2	2	2					
40	3	26106-060102	BOLT, M6X 10 PLATED	1	1	1					
41	2	129155-61540	SHIFTER	1	1	1					
41-1	2	119600-61540	SHIFTER		1						S
		(B=E/#A00583)									
42	2	129470-61650	SPRING, FUEL CONTROL	1	1	1					
43	2	129473-61801	LEVER, STOP	1	1	1					
44	2	129155-61810	PIN	1	1	1					
45	2	129100-61821	SPRING, RETURN	1	1	1					
46	2	129155-61830	O-RING, S10	1	1	1					
47	2	119660-61901	RETAINER, SHAFT	1	1	1					
48	2	129155-61950	BOLT	1	1	1					
49	2	124550-66370	NUT, M6	1	1	1					
50	2	119600-66840	NUT, CAP	1	1	1					

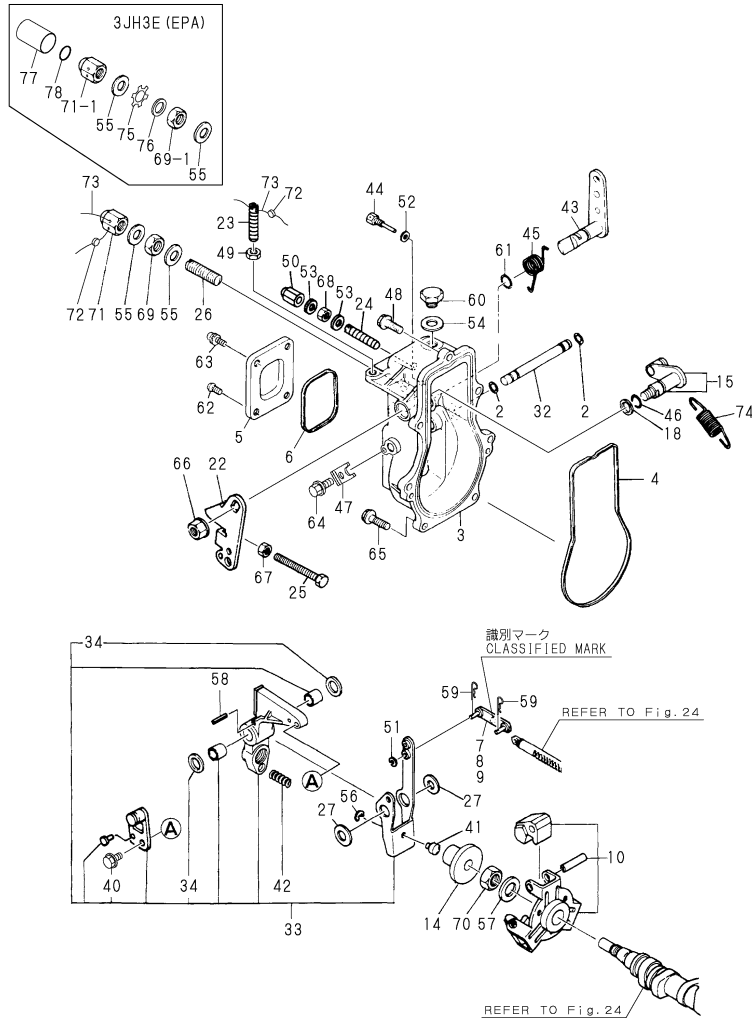
Remarks

(1)SELECTIVE PART; CERTAIN THE CLASSIFICATION MARK WHEN PLACE YOUR ORDER.(REFER TO THE ILLUSTRATION)
(2)INTERCHANGEABLE BY SIMULTANEOUS REPLACEMENT WITH REF.NO.69-1,77-1.

Fig.25. GOVERNOR

Y00R4661

Fig. 25 ガバナ GOVERNOR



(A)=3JH3E
(B)=3JH3E(EPA)
(C)=3JH3CE

(D)=
(E)=
(F)=

No.	Lev.	Parts No.	Description	Q'ty						I	R
				(A)	(B)	(C)	(D)	(E)	(F)		
51	2	22117-040000	WASHER, 4	1	1	1					
52	2	22190-060003	SEAL WASER 6	1	1	1					
53	2	22190-060003	SEAL WASER 6	2	2	2					
54	2	22190-100002	WASHER, SEAL 10	1	1	1					
55	2	22190-120002	WASHER, SEAL 12	2	2	2					
56	2	22272-000040	RING, E- 4	1	1	1					
57	2	22287-120000	WASHER, 12	1	1	1					
58	2	22351-030016	PIN, SPRING 3.0X16	1	1	1					
59	2	22372-040000	PIN, SNAP 4	2	2	2					
60	2	23887-100002	PLUG, 10	1	1	1					
61	2	24311-240100	O-RING, 1AP10A	1	1	1					
62	2	26022-050102	SCREW, M5X10	2	2	2					
63	2	26023-050102	SCREW, M5X10	2	2	2					
64	2	26106-060102	BOLT, M6X 10 PLATED	1	1	1					
65	2	26106-060202	BOLT, M6X 20 PLATED	6	6	6					
66	2	26366-080002	NUT, M8	1	1	1					
67	2	26756-060002	NUT, LOCK M6	1	1	1					
68	2	26756-060002	NUT, LOCK M6	1	1	1					
69	2	26776-120002	NUT, LOCK M12	1	1	1					
69-1	2	26736-120002 (B=E/#A02666)	NUT, M12		1						S 2
70	2	26776-120002	NUT, LOCK M12	1	1	1					
71	1	129100-61930	NUT, CAP	1	1	1					
71-1	1	129209-61930 (B=E/#A02014)	NUT, CAP		1						N
72	1	135210-61090	LEAD	1	1	1					
73	1	22453-060000	WIRE, 0.6	1	1	1					
73-1	1	120325-61100 (A=*2002.04) (B=*2002.04) (C=*2002.04)	WIRE, 1.0	1	1	1					N
74	1	129100-61730	SPRING, GOVERNOR	1	1	1					
75	1	129209-61970 (B=E/#A02014)	PLATE		1						W
76	1	23414-120016 (B=E/#A02014)	GASKET, 12X1.0		1						W
77	1	129209-61950 (B=E/#A01952)	CASE		1						W
77-1	1	129209-61951 (B=E/#A02522)	CASE		1						S 2
77-2	1	129209-61952 (A=E*****)	CASE		1						N
78	1	24311-000150 (B=E/#A01952)	O-RING, 1AP15.0		1						W
78-1	1	24311-000160 (A=E*****)	O-RING, 1AP16.0		1						N

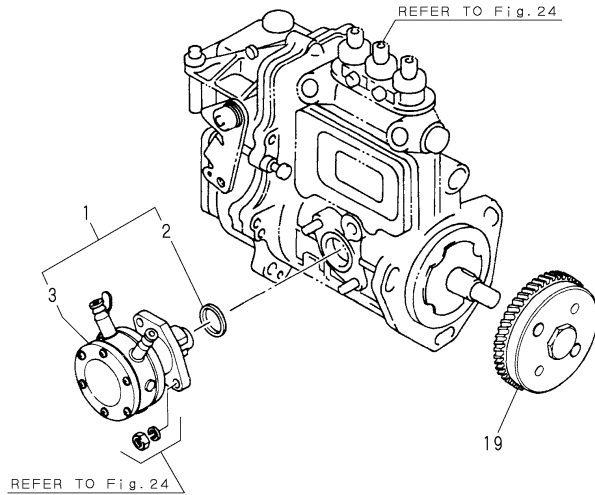
Remarks

- (1)SELECTIVE PART; CERTAIN THE CLASSIFICATION MARK WHEN PLACE YOUR ORDER.(REFER TO THE ILLUSTRATION)
- (2)INTERCHANGEABLE BY SIMULTANEOUS REPLACEMENT WITH REF.NO.69-1,77-1.

Fig.26. FUEL FEED PUMP & TIMER

Y00R4661

Fig. **26** 燃料フィードポンプ&タイマ
FUEL FEED PUMP & TIMER



(A)=3JH3E
(B)=3JH3E(EPA)
(C)=3JH3CE

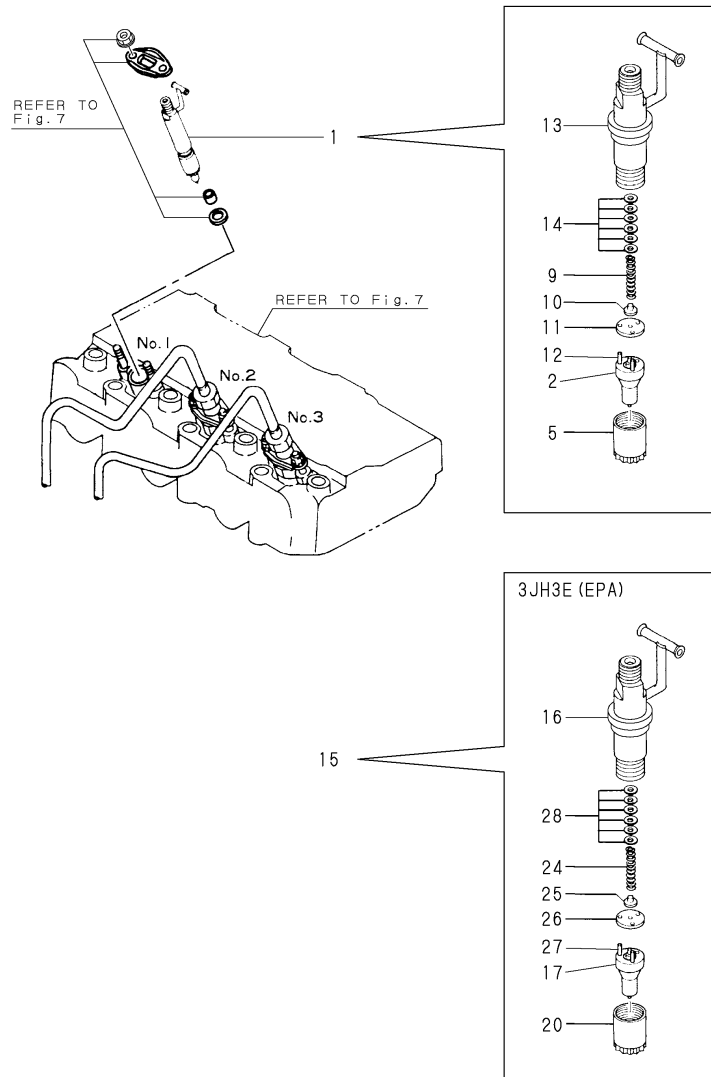
(D)=
(E)=
(F)=

No.	Lev.	Parts No.	Description	Q'ty						I	R
				(A)	(B)	(C)	(D)	(E)	(F)		
1	1	129158-52000	PUMP ASSY, FUEL FEED	1	1	1					
2	2	129155-52050	GASKET	1	1	1					
3	2	129158-52100	PUMP ASSY, FUEL FEED	1	1	1					
19	1	729499-54100	TIMER ASSY	1		1					

Fig.27. FUEL INJECTION VALVE

Y00R4661

Fig. 27 燃料噴射弁
FUEL INJECTION VALVE



(A)=3JH3E
(B)=3JH3E(EPA)
(C)=3JH3CE

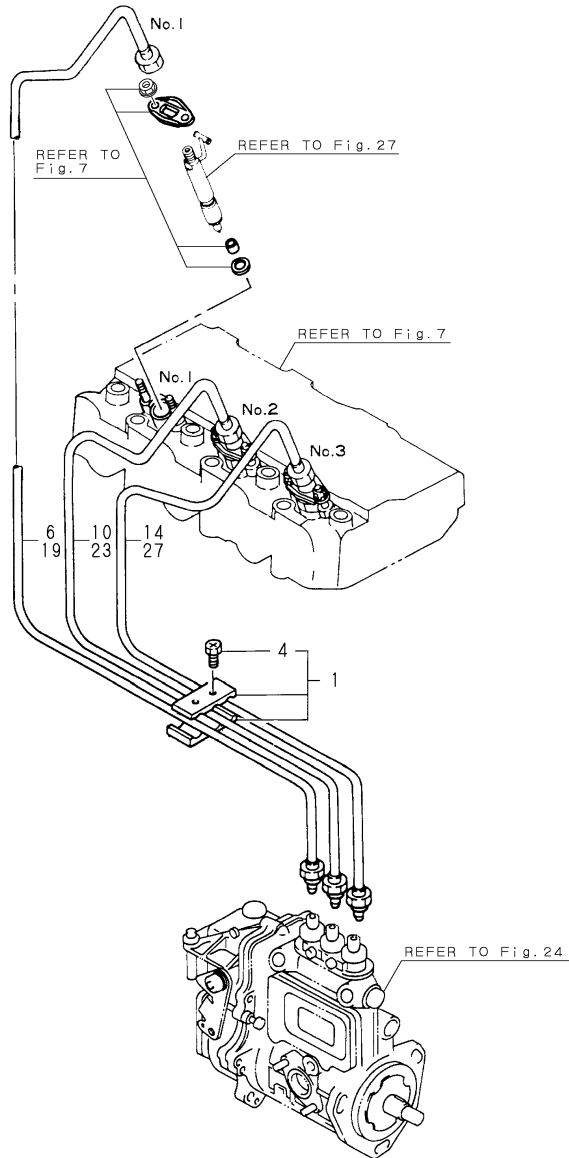
(D)=
(E)=
(F)=

No.	Lev.	Parts No.	Description	Qty						I	R
				(A)	(B)	(C)	(D)	(E)	(F)		
1	1	729670-53100	VALVE ASSY,INJECTION	3		3					
2	2	129468-53000	VALVE ASSY,INJECTION	3		3					
5	2	114250-53080	NUT, NOZZLE D16.95	3		3					
9	2	114250-53120	SPRING, NOZZLE	3		3					
10	2	114250-53130	SEAT, SPRING	3		3					
11	2	114250-53140	PLATE	3		3					
12	2	114250-53210	PIN	6		6					
13	2	129470-11920	GASKET	3		3					
14	2	114250-53400	SHIM SET	3		3					
15	1	729270-53100	VALVE ASSY,INJECTION			3					
16	2	129270-11920	GASKET, NOZZLE			3					
17	2	129270-53000	VALVE ASSY,INJECTION			3					
20	2	114250-53080	NUT, NOZZLE D16.95			3					
24	2	114250-53120	SPRING, NOZZLE			3					
25	2	114250-53130	SEAT, SPRING			3					
26	2	114250-53140	PLATE			3					
27	2	114250-53210	PIN			6					
28	2	114250-53400	SHIM SET			3					

Fig.28. FUEL INJECTION PIPE

Y00R4661

Fig. **28** 燃料噴射パイプ
FUEL INJECTION PIPE



(A)=3JH3E
(B)=3JH3E(EPA)
(C)=3JH3CE

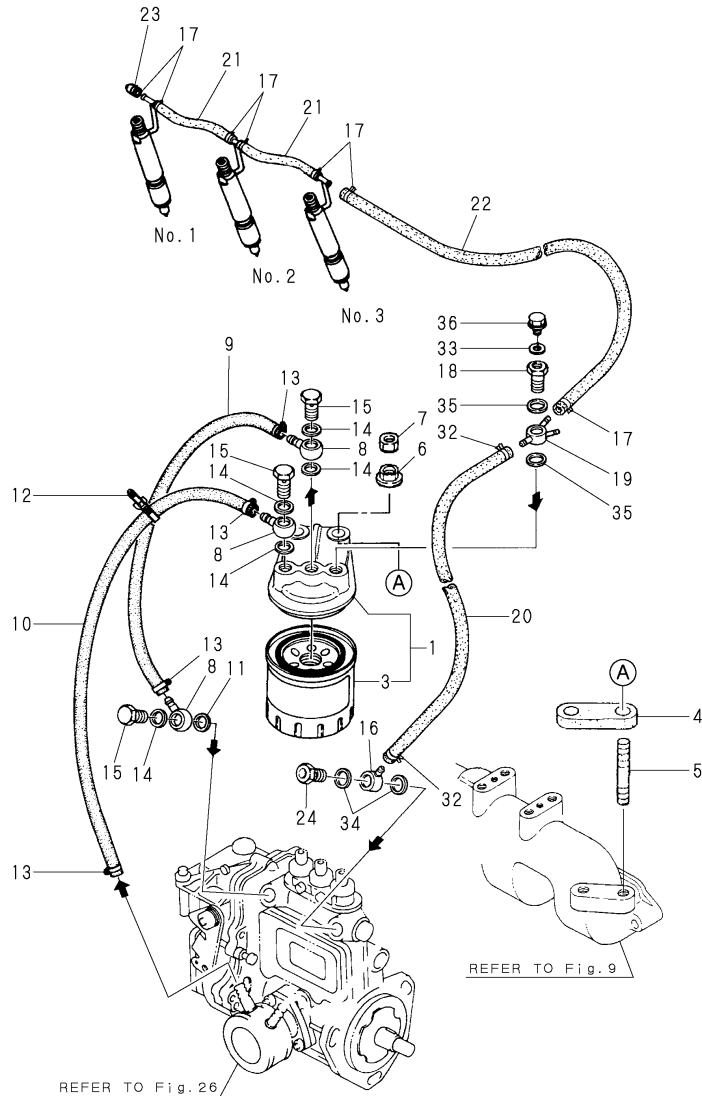
(D)=
(E)=
(F)=

No.	Lev.	Parts No.	Description	Q'ty						I	R
				(A)	(B)	(C)	(D)	(E)	(F)		
1	1	129150-59120	RETAINER, PIPE	1	1	1					
4	2	129150-59131	BOLT, M4X14	2	2	2					
6	1	129270-59810	PIPE ASSY, INJECTION	1		1					
10	1	129270-59820	PIPE ASSY, INJECTION	1		1					
14	1	129270-59830	PIPE ASSY, INJECTION	1		1					
19	1	129270-59811	PIPE ASSY, INJECTION			1					
23	1	129270-59821	PIPE ASSY, INJECTION			1					
27	1	129270-59831	PIPE ASSY, INJECTION			1					

Fig.29. FUEL PIPE & FUEL STRAINER

Y00R4661

Fig. 29 燃料パイプ&燃料フィルタ
FUEL PIPE & FUEL STRAINER



(A)=3JH3E
(B)=3JH3E(EPA)
(C)=3JH3CE

(D)=
(E)=
(F)=

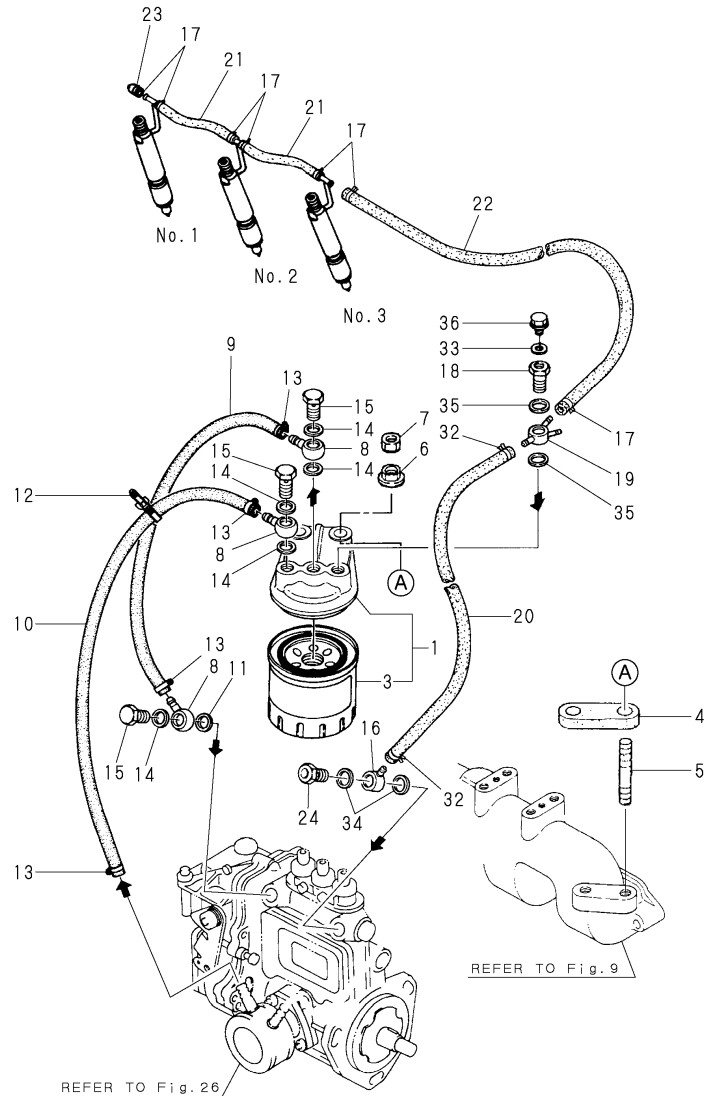
No.	Lev.	Parts No.	Description	Qty						I	R
				(A)	(B)	(C)	(D)	(E)	(F)		
1	1	129470-55601	FILTER ASSY, FUEL	1	1	1					
3	2	129470-55701	STRAINER ASSY, FUEL	1	1	1					
4	1	119173-55700	RUBBER	1	1	1					
5	1	26216-100452	STUD, M10X 45	2	2	2					
6	1	26306-100002	NUT, M10	2	2	2					
7	1	26716-100002	NUT, M10	2	2	2					
8	1	101304-59020	JOINT, PIPE 12	3	3	3					
9	1	129470-59120	PIPE, FUEL	1	1	1					
9-1	1	129470-59121	PIPE, FUEL	1	1	1					N
9-2	1	129470-59122	PIPE, FUEL	1	1	1					R
10	1	129470-59120	PIPE, FUEL	1	1	1					
10-1	1	129570-59120	PIPE, FUEL	1	1	1					N
10-2	1	129570-59121	PIPE, FUEL	1	1	1					R
11	1	104200-59170	GASKET, 12	1	1	1					
12	1	121750-59890	BAND, 140	1	1	1					
13	1	23080-013000	CLAMP, 13	4	4	4					
13-1	1	23000-019000	CLAMP, 19	4	4	4					N
13-2	1	23000-016000	CLAMP, 16	4	4	4					N
14	1	23414-120000	GASKET, 12X1.0	5	5	5					
14-1	1	22190-120002	WASHER, SEAL 12	5	5	5					N
15	1	23857-060000	BOLT, JOINT 6	3	3	3					
16	1	101304-59020	JOINT, PIPE 12	1	1	1					
17	1	124066-59100	CLIP, HOSE 8	7	7	7					
17-1	1	23000-016000	CLAMP, 16	7	7	7					N
17-2	1	23000-013000	CLAMP, 13	7	7	7					N
18	1	129495-59300	BOLT, PIPE JOINT	1	1	1					
19	1	129470-59530	JOINT, PIPE	1	1	1					
20	1	129470-59540	PIPE, FUEL	1	1	1					
20-1	1	129470-59541	PIPE, FUEL	1	1	1					N
20-2	1	129470-59542	PIPE, FUEL	1	1	1					R
21	1	119000-59550	PIPE, FUEL RETURN	2	2	2					
21-1	1	129495-59552	PIPE, FUEL	2	2	2					N
21-2	1	129495-59553	PIPE, FUEL	2	2	2					R
21-3	1	129270-59550	PIPE, FUEL	2	2	2					R
22	1	129470-59560	PIPE, FUEL RETURN	1	1	1					
22-1	1	129470-59561	PIPE, FUEL	1	1	1					N

N:Old $\xrightarrow{\text{Yes}}$ New, Q:Old $\xrightarrow{\text{No}}$ New, R:Old $\xrightarrow{\text{Yes}}$ New, S:Old $\xrightarrow{\text{No}}$ New, W:Add, Z:Discontinued, F:Interchangeable by set, K:Q'ty Change
 ++ CONTINUE ++
 Copyright (C) YANMAR CO., LTD. All Rights Reserved.

Fig.29. FUEL PIPE & FUEL STRAINER

Y00R4661

Fig. **29** 燃料パイプ&燃料フィルタ
FUEL PIPE & FUEL STRAINER



(A)=3JH3E
(B)=3JH3E(EPA)
(C)=3JH3CE

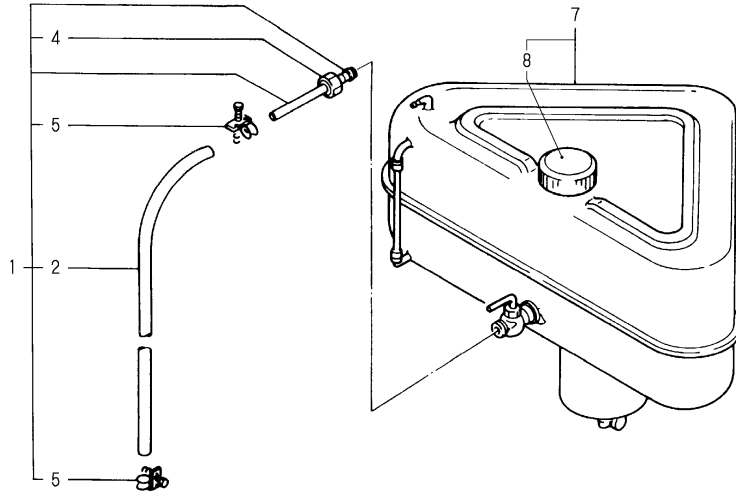
(D)=
(E)=
(F)=

No.	Lev.	Parts No.	Description	Q'ty						I	R
				(A)	(B)	(C)	(D)	(E)	(F)		
22-2	1	129470-59562 (A=*1999.01)	PIPE, FUEL (C=*1999.01)	1	1	1					R
23	1	129150-59580	CAP		1	1					
23-1	1	119593-59580 (A=E/#E20599)	CAP (C=E/#E20599)	1		1					N
23-2	1	129270-59580 (A=*1999.01)	CAP (C=*1999.01)	1	1	1					N
24	1	129100-59951	VALVE ASSY, CHECK	1	1	1					
32	1	23080-013000	CLAMP, 13	2		2					
32-1	1	23000-019000 (A=E/#E20599)	CLAMP, 19 (C=E/#E20599)	2		2					N
32-2	1	23000-016000 (A=*1999.01)	CLAMP, 16 (C=*1999.01)	2	2	2					N
33	1	23414-080000	GASKET, 8X1.0	1	1	1					
33-1	1	22190-080002 (A=*2000.03)	WASHER, SEAL 6 (B=E/#A01028) (C=*2000.03)	1	1	1					N
34	1	23414-120000	GASKET, 12X1.0	2	2	2					
34-1	1	22190-120002 (A=*2000.03)	WASHER, SEAL 12 (B=E/#A01028) (C=*2000.03)	2	2	2					N
35	1	23414-140000	GASKET, 14X1.0	2	2	2					
35-1	1	22190-140002 (A=*2000.03)	WASHER, SEAL 14 (B=E/#A01028) (C=*2000.03)	2	2	2					N
36	1	26106-080102	BOLT, M8X 10 PLATED	1	1	1					

Fig.30. FUEL TANK(OPTIONAL)

Y00R4661

Fig. **30** 燃料タンク (オプション)
FUEL TANK (OPTIONAL)



(A)=3JH3E
(B)=3JH3E(EPA)
(C)=3JH3CE

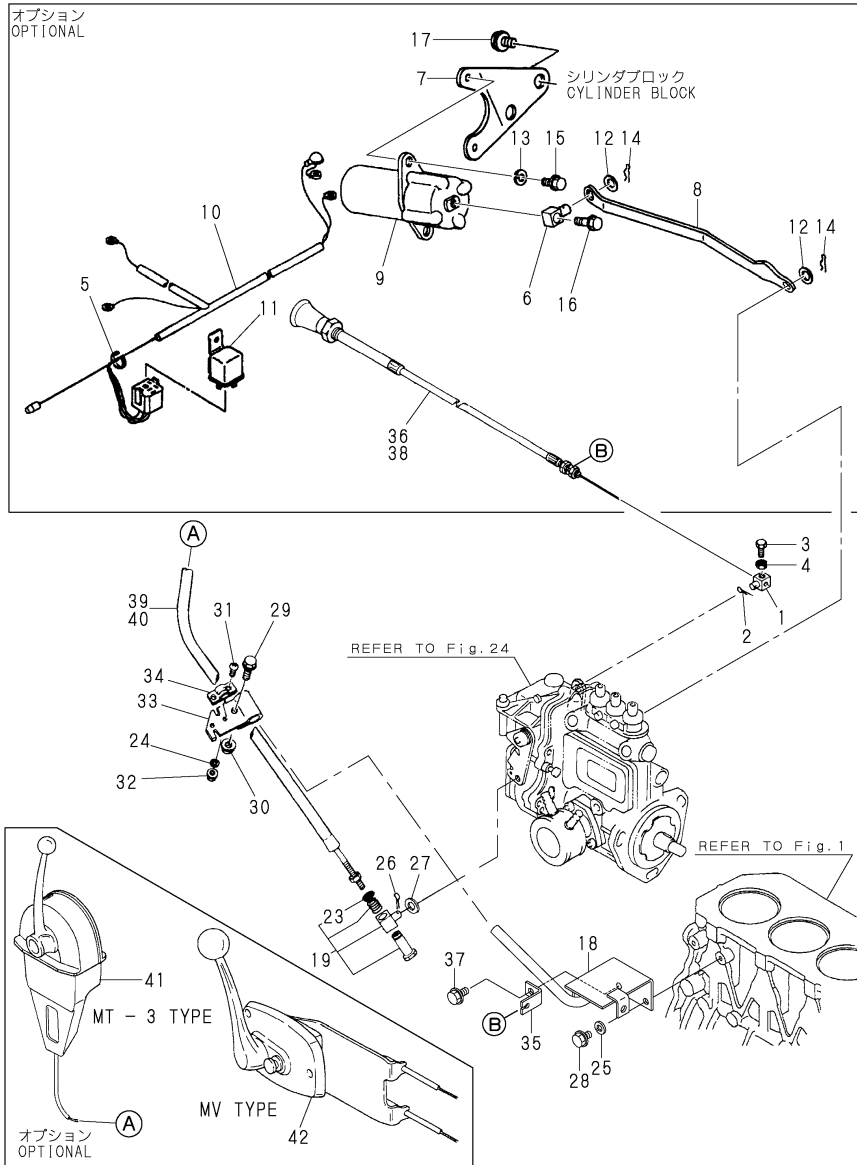
(D)=
(E)=
(F)=

No.	Lev.	Parts No.	Description	Q'ty						I	R
				(A)	(B)	(C)	(D)	(E)	(F)		
1	1	124070-59060	PIPE ASSY, FUEL	1	1	1					
2	2	124070-59130	PIPE, FUEL 2M	1	1	1					
4	2	138603-59380	CAP NUT	1	1	1					
5	2	23010-014000	CLAMP, 14	2	2	2					
7	1	83213-003012	TANK (30L), FUEL	1	1	1					
8	2	105430-55041	CAP ASSY	1	1	1					

Fig.31. ENGINE STOP DEVIC

Y00R4661

Fig. **31** 機関停止装置
ENGINE STOP DEVICE



(A)=3JH3E
(B)=3JH3E(EPA)
(C)=3JH3CE

(D)=
(E)=
(F)=

No.	Lev.	Parts No.	Description	Qty						I	R
				(A)	(B)	(C)	(D)	(E)	(F)		
1	1	129590-67310	RETAINER	1	1	1					
2	1	22414-250150	PIN, COTTER 2.5X15	1	1	1					
3	1	26116-050142	BOLT, M5X 14 PLATED	1	1	1					
4	1	26756-050002	NUT, LOCK M5	1	1	1					
5	1	121750-59890	BAND, 140	1	1	1					
6	1	171078-66551	PIN	1	1	1					
7	1	129171-67300	BRACKET, SOLENOID	1		1					
7-1	1	129270-67300 (A=E/#E20277)	BRACKET, SOLENOID (C=E/#E20277)	1	1	1					N
8	1	129171-67310	LINK	1		1					
8-1	1	129270-67310 (A=E/#E20277)	LINK (C=E/#E20277)	1	1	1					N
9	1	129470-67320	SOLENOID, STOP 12V	1	1	1					
10	1	129470-77971	HARNES, WIRE	1	1	1					
11	1	124617-91850	RELAY	1	1	1					
11-1	1	119773-91850 (A=*2000.02) (B=E/#A00948) (C=*2000.02)	RELAY	1	1	1					R
12	1	22117-080000	WASHER, 8	2	2	2					
13	1	22217-060000	WASHER, SPRING 6	2	2	2					
14	1	22360-080000	SNAP PIN 8	2	2	2					
15	1	26106-060102	BOLT, M6X 10 PLATED	2	2	2					
16	1	26106-060202	BOLT, M6X 20 PLATED	1	1	1					
17	1	26106-080122	BOLT, M8X 12 PLATED	2	2	2					
18	1	129270-67101	BRACKET, GOVERNOR	1	1	1					
19	1	129470-67200	RETAINER ASSY	1	1	1					
23	2	22242-000100	RING, 10	1	1	1					
24	1	22217-050000	WASHER, SPRING 5	2	2	2					
25	1	22217-080000	WASHER, SPRING 8	2	2	2					
26	1	22414-250150	PIN, COTTER 2.5X15	1	1	1					
27	1	23414-080000	GASKET, 8X1.0	1	1	1					
28	1	26116-120352	BOLT, M12X 35 PLATED	2	2	2					
29	1	26106-080252	BOLT, M8X 25 PLATED	1	1	1					
30	1	26306-080002	NUT, M8	1	1	1					
31	1	26557-050122	SCREW, M5X12	2	2	2					
32	1	26716-050002	NUT, M5	2	2	2					
33	1	41701-001720	BRACKET	1	1	1					
34	1	41710-000410	CLAMP	1	1	1					
35	1	129270-67140	BRACKET, CABLE	1	1	1					
36	1	129470-67550	CABLE, STOP L=4000	1	1	1					
37	1	26106-080162	BOLT, M8X 16 PLATED	1	1	1					
38	1	129470-67560	CABLE, STOP L=7000	1	1	1					
39	1	41710-000380	CABLE L=4000	2	2	2					
40	1	129470-86500	CABLE, L=7000	2	2	2					
41	1	41730-000681	MT-3 REMO-CON	1	1	1					
42	1	128170-86500	CONTROLLER	1	1	1					
42-1	1	128170-86501 (B=*2002.04)	REMOCON HEAD (MN)		1						S

Fig.32. CLUTCH

No.	Lev.	Parts No.	Description	Q'ty						I	R
				(A)	(B)	(C)	(D)	(E)	(F)		
1	1	129270-81020	CLUTCH ASSY, I=2.61	1							
1-1	1	129270-81021	CLUTCH ASSY, I=2.61	1	1						N
(A=E/#E20354)											
1-2	1	129270-81120	CLUTCH ASSY, I=2.61		1						S
(B=E/#A03017)											
2	1	129171-81010	CLUTCH ASSY, 2.33	1							
2-1	1	129270-81070	CLUTCH ASSY, 2.33	1	1						N
(A=E/#E20354)											
2-2	1	129270-81170	CLUTCH ASSY, 2.33		1						S
(B=E/#A03017)											
3	1	129171-81020	CLUTCH ASSY, I=2.64	1							
3-1	1	129270-81080	CLUTCH ASSY, I=2.64	1	1						N
(A=E/#E20354)											
3-2	1	129270-81180	CLUTCH ASSY, I=2.64		1						S
(B=E/#A03017)											
4	1	129270-81010	CLUTCH, KM3P4 I2.36	1							
4-1	1	129270-81011	CLUTCH ASSY, 2.36	1	1						N
(A=E/#E20354)											
4-2	1	129270-81110	CLUTCH ASSY, 2.36		1						S
(B=E/#A03017)											
5	1	129270-81030	CLUTCH ASSY, I=3.20	1							
5-1	1	129270-81031	CLUTCH ASSY, I=3.20	1	1						N
(A=E/#E20354)											
5-2	1	129270-81031	CLUTCH ASSY, I=3.20		1						Z
(B=E/#A03017)											
6	1	128170-13600	STUD, M8X31	2	2						
7	1	26106-080202	BOLT, M8X 20 PLATED	6	6						
8	1	26306-080002	NUT, M8	2	2						

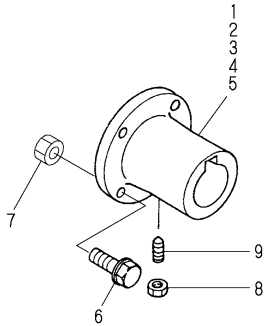
Remarks
THIS FIGURE ARE NOT ILLUSTRATED.

Fig.33. CUPRING(OPTIONAL)

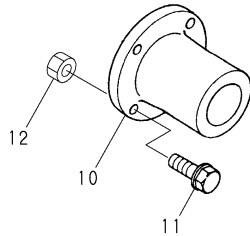
Y00R4661

Fig. **33** カップリング
CUPRING

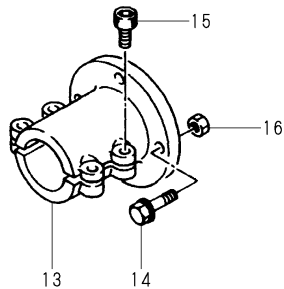
テーパカップリング
TAPER COUPLING



ストレートカップリング
STRAIGHT COUPLING



スリットカップリング
SLIT COUPLING



(A)=3JH3E
(B)=3JH3E(EPA)
(C)=3JH3CE

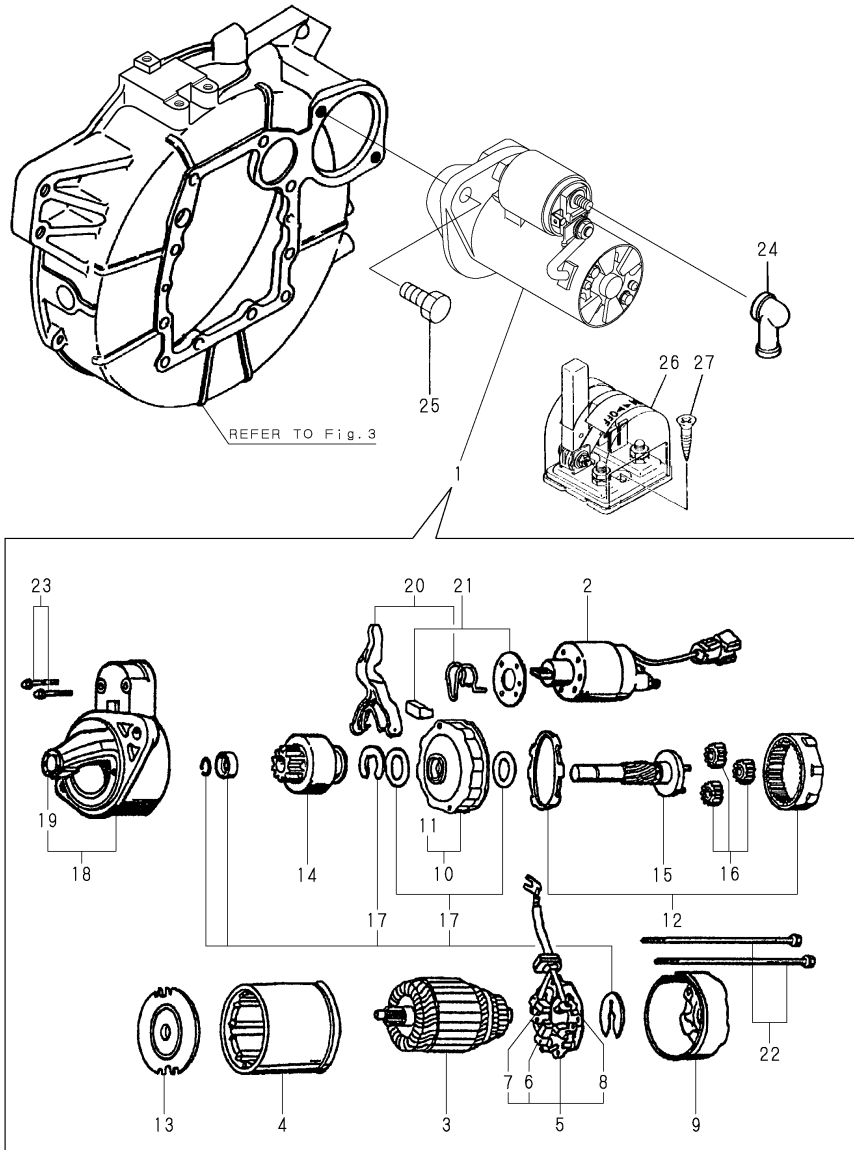
(D)=
(E)=
(F)=

No.	Lev.	Parts No.	Description	Qty						I	R
				(A)	(B)	(C)	(D)	(E)	(F)		
1	1	48110-025063	COUPLING, TAPER 25	1	1	1					
2	1	48110-028063	COUPLING, TAPER 28	1	1	1					
3	1	48110-032502	COUPLING, 30	1	1	1					
4	1	129171-85900	COUPLING, TAPER 32	1	1	1					
5	1	129670-85900	COUPLING, TAPER 34	1	1	1					
6	1	26106-100322	BOLT, M10X 32 PLATED	4	4	4					
7	1	26706-100002	NUT, M10	4	4	4					
8	1	26756-080002	NUT, LOCK M8	1	1	1					
9	1	48110-032411	SCREW	1	1	1					
10	1	105583-85900	COUPLING, 22	1	1	1					
11	1	26106-100322	BOLT, M10X 32 PLATED	4	4	4					
12	1	26706-100002	NUT, M10	4	4	4					
13	1	104214-83980	COUPLING	1	1	1					
14	1	26106-100322	BOLT, M10X 32 PLATED	4	4	4					
15	1	26450-080282	BOLT, M8X 28	4	4	4					
16	1	26706-100002	NUT, M10	4	4	4					

Fig.34. STARTING MOTOR

Y00R4661

Fig. **34** スターティングモータ
STARTING MOTOR



(A)=3JH3E
(B)=3JH3E(EPA)
(C)=3JH3CE

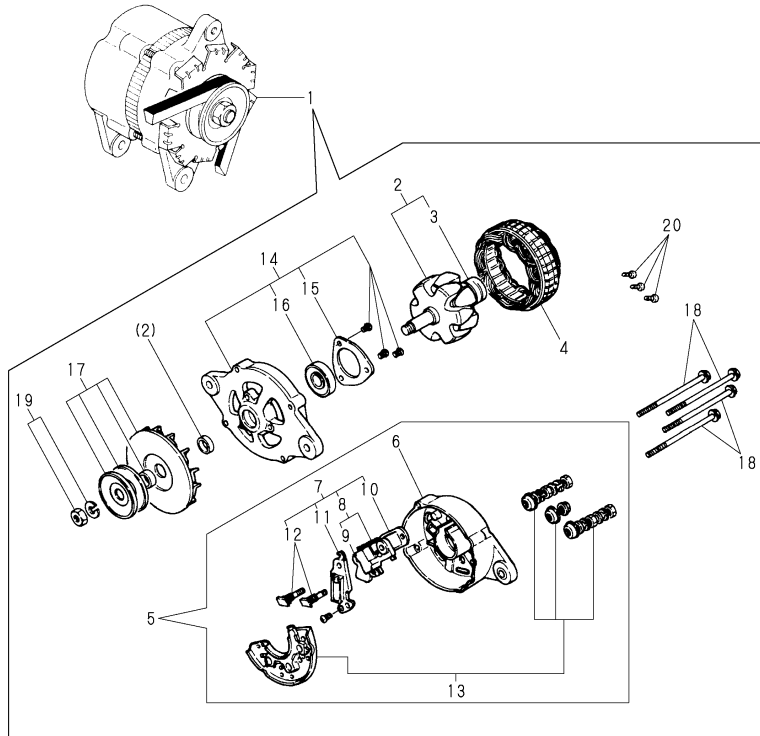
(D)=
(E)=
(F)=

No.	Lev.	Parts No.	Description	Qty						I	R
				(A)	(B)	(C)	(D)	(E)	(F)		
1	1	129698-77010	STARTER, 12V1.2KW	1	1	1					
2	2	124298-77020	SWITCH, MAGNETIC	1		1					
2-1	2	129698-77020	SWITCH ASSY	1	1	1					R
(A=E/#E20689) (C=E/#E20689)											
3	2	129698-77100	ARMATURE ASSY	1	1	1					
4	2	129698-77110	YOKE ASSY	1	1	1					
5	2	129698-77120	HOLDER ASSY, BRUSH	1	1	1					
6	3	129698-77130	BRUSH	2	2	2					
7	3	129698-77140	BRUSH SET	1	1	1					
8	3	129698-77150	SPRING, BRUSH	4	4	4					
9	2	129698-77160	COVER ASSY	1	1	1					
9-1	2	129698-77161	COVER ASSY	1	1	1					R
(A=*2000.11) (B=E/#A01888) (C=*2000.11)											
10	2	129698-77180	BRACKET	1	1	1					
11	3	129698-77190	BRACKET	1	1	1					
12	2	129698-77200	GEAR, INTERNAL	1	1	1					
13	2	129698-77210	BRACKET	1	1	1					
14	2	129698-77220	PINION ASSY	1	1	1					
15	2	129698-77230	SHAFT	1	1	1					
16	2	129698-77240	GEAR	3	3	3					
17	2	129698-77250	WASHER SET	1	1	1					
18	2	129698-77260	CASE ASSY	1	1	1					
19	3	X2114535200	METAL, STARTER	1	1	1					
20	2	129698-77270	LEVER SET, SHIFT	1	1	1					
21	2	129698-77280	COVER KIT	1	1	1					
22	2	124195-77770	BOLT, THROUGH	2	2	2					
23	2	114371-79070	BOLT	2	2	2					
24	1	124550-77030	COVER, TERMINAL	1	1	1					
25	1	26116-120302	BOLT, M12X 30 PLATED	2	2	2					
26	1	123310-77640	SWITCH, BATTERY	1	1	1					
27	1	22724-800380	SCREW, 8.0X38	2	2	2					

Fig.35. GENERATOR(12V-55A,PREVIOUS)

Y00R4661

Fig. **35** ジェネレータ (12V-55A, 旧形)
GENERATOR (12V-55A, PREVIOUS)



(A)=3JH3E
(B)=3JH3E(EPA)
(C)=3JH3CE

(D)=
(E)=
(F)=

No.	Lev.	Parts No.	Description	Qty						I	R
				(A)	(B)	(C)	(D)	(E)	(F)		
1	1	129670-77200	GENERATOR	1		1					
1-1	1	129772-77200	GENERATOR(12V-55A)	1	1	1					R
		(A=E/#E20241)	(C=E/#E20241)								
1-2	1	129772-77200	GENERATOR(12V-55A)	1	1	1					Z 1
		(A=*2002.03)	(B=E/#A03017)								
2	2	XL15571001	ROTOR ASSY	1	1	1					
3	3	124080-77490	BALL BEARING	1	1	1					
4	2	XL15542001	STATOR ASSY	1	1	1					
5	2	XL155G6300	COVER ASSY, REAR	1	1	1					
6	3	XL22553012	COVER, REAR	1	1	1					
7	3	XL155G1315	REGULATOR ASSY,BRUSH	1	1	1					
8	4	XL2255330	BRUSH ASSY	1	1	1					2
9	4	XL12013262	BRUSH	2	2	2					
10	4	XTR1Z63	REGULATOR	1	1	1					
11	4	XL2554318	CONDENSER ASSY	1	1	1					
12	4	XL13513134	BOLT M5	2	2	2					
13	3	XL2253320	DIODE ASSY	1	1	1					
14	2	XL2253400	FRONT COVER ASSY	1	1	1					
15	3	XL15014042	BEARING RETAINER	1	1	1					
16	3	X6203BM	BALL BEARING	1	1	1					
17	2	XL225G6500	PULLEY ASSY	1	1	1					
18	2	XL15018015	BOLT, THROUGH	4	4	4					
19	2	XL1501810	NUT ASSY, PULLEY	1	1	1					
20	2	XL15028001	SCREW ASSY	1	1	1					

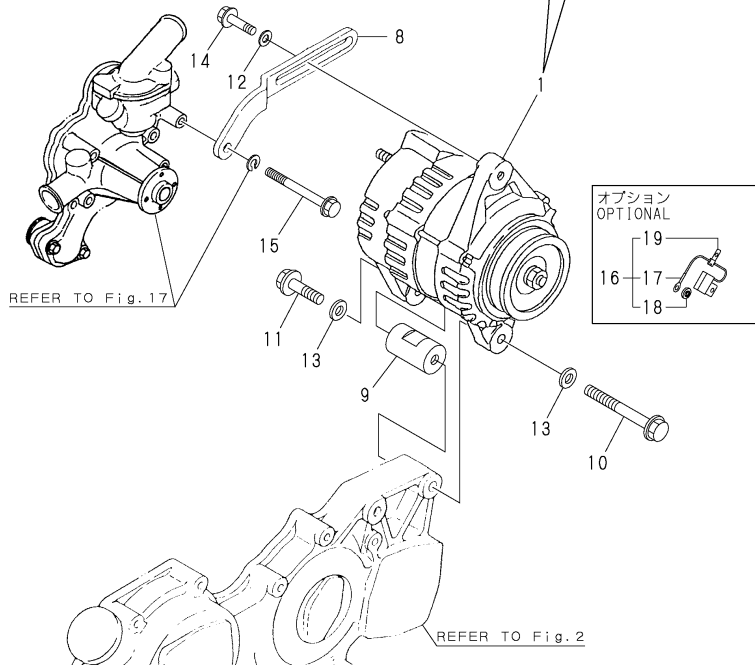
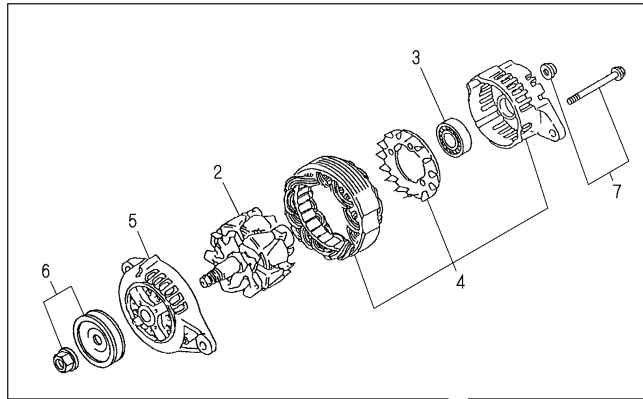
Remarks

- (1)INTERCHANGEABILITY IS <N> WITH FIG.36 REF.NO.1.
- (2)INC.9

Fig.36. GENERATOR(12V-60A,NEW)

Y00R4661

Fig. **36** ジェネレータ (12V-60A, 新形)
GENERATOR (12V-60A, NEW)



(A)=3JH3E
(B)=3JH3E(EPA)
(C)=3JH3CE

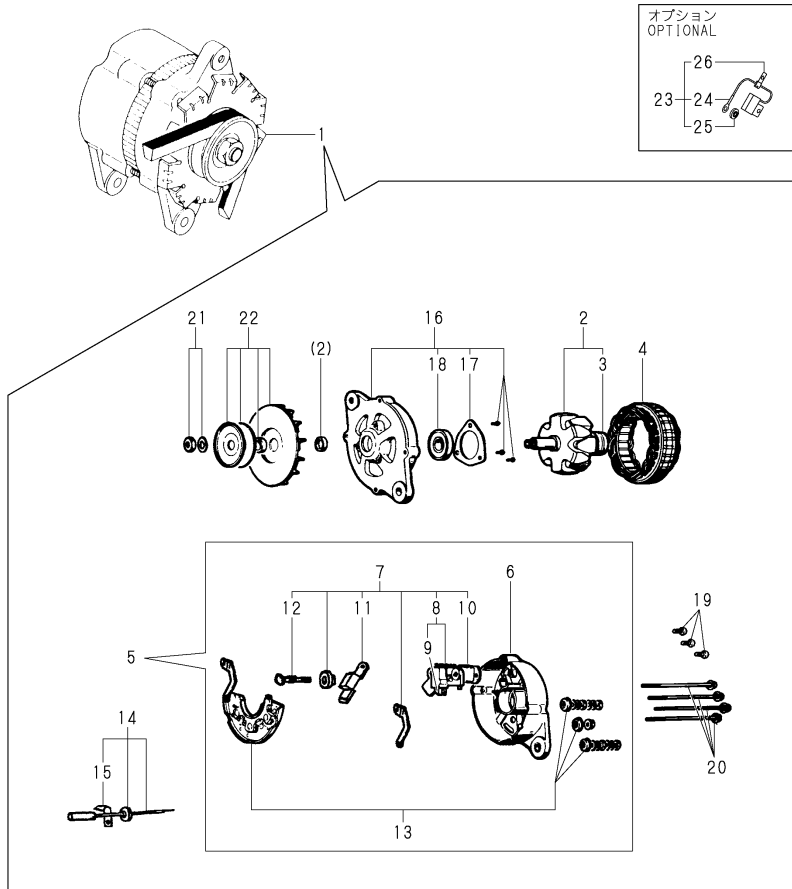
(D)=
(E)=
(F)=

No.	Lev.	Parts No.	Description	Qty						I	R
				(A)	(B)	(C)	(D)	(E)	(F)		
1	1	128271-77200 (A=*2002.03)	GENERATOR, 12V-60A (B=E/#A03017) (C=*2002.03)	1	1	1					W
2	2	123900-77700	ROTOR ASSY	1	1	1					
3	2	129612-77710	BEARING, BALL	1	1	1					
4	2	128271-77720	BRACKET(STATOR+REGUL)	1	1	1					
5	2	123900-77730	BRACKET ASSY	1	1	1					
6	2	128271-77740	PULLEY	1	1	1					
7	2	128271-77750	SCREW KIT	1	1	1					
8	1	129495-77330	ADJUSTER, BELT	1	1	1					
9	1	129670-77340	PIECE, DISTANCE	1	1	1					
10	1	129695-77370	BOLT, M10X75	1	1	1					
11	1	129695-77380	BOLT, M10X30	1	1	1					
12	1	22137-080000	WASHER, 8	1	1	1					
13	1	22137-100000	WASHER, 10	2	2	2					
14	1	26106-080252	BOLT, M8X 25 PLATED	1	1	1					
15	1	26106-080652	BOLT, M8X 65 PLATED	1	1	1					
16	1	129772-77250	CONDENSER ASSY	1	1	1					
17	2	129772-77260	CONDENSER	1	1	1					
18	2	129772-77270	BUSH	2	2	2					
19	2	129772-77280	CLAMP	1	1	1					

Fig.37. GENERATOR(12V-80A,OPTIONAL)

Y00R4661

Fig. **37** ジェネレータ (12V-80A, オプション)
GENERATOR (12V-80A, OPTIONAL)



(A)=3JH3E
(B)=3JH3E(EPA)
(C)=3JH3CE

(D)=
(E)=
(F)=

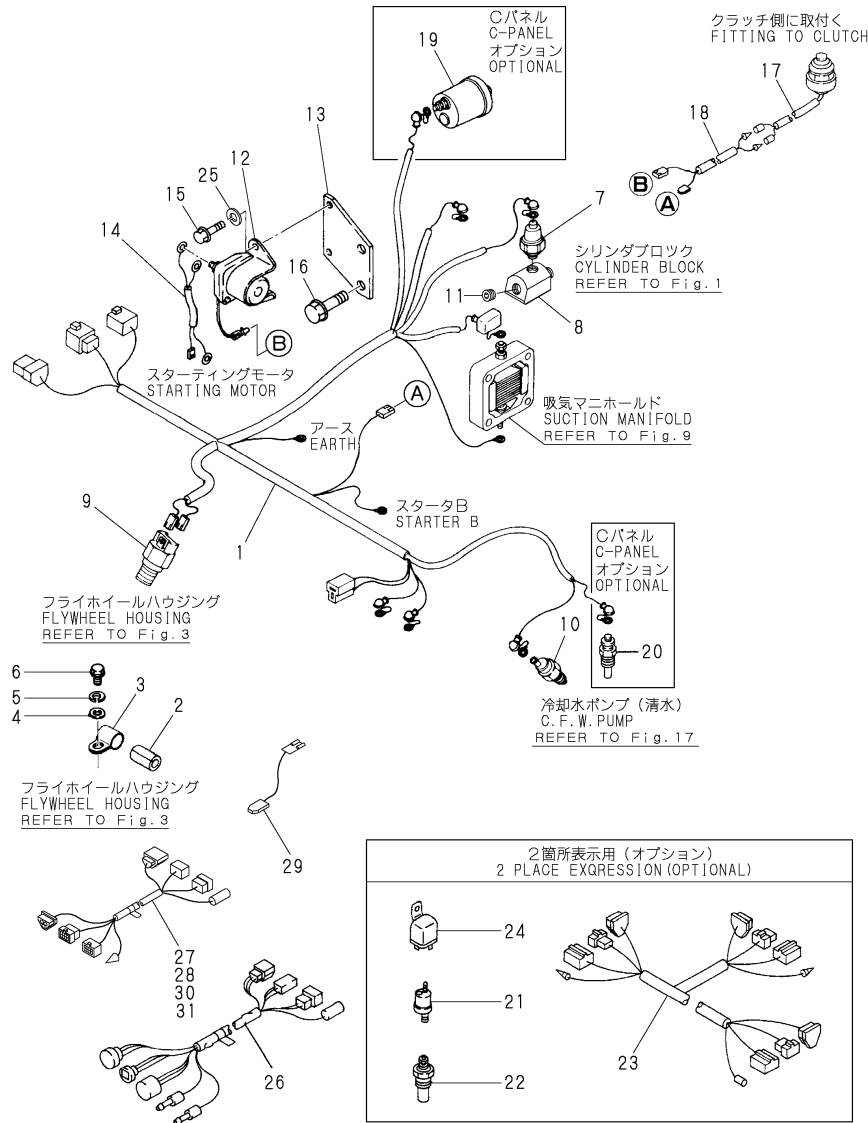
No.	Lev.	Parts No.	Description	Qty						I	R
				(A)	(B)	(C)	(D)	(E)	(F)		
1	1	119573-77201	ALTERNATER(12V-80A	1	1	1					
2	2	XL180G61000	ROTOR ASSY	1	1	1					
3	3	119129-77320	BALL BEARING	1	1	1					
4	2	XL180120000	STATOR ASSY	1	1	1					
5	2	XL180G63006	COVER ASSY, REAR	1	1	1					
6	3	XL180G13012	COVER, REAR	1	1	1					
7	3	XL180G43150	BRUSH ASSY,REGULATOR	1	1	1					
8	4	XL155G1330	BRUSH ASSY	1	1	1					1
9	4	XL225G1325	BRUSH SET	2	2	2					
10	4	124080-77390	REGULATOR ASSY	1	1	1					
11	4	XL225431800	CONDENSER ASSY	1	1	1					
12	4	124080-77520	BOLT M5	2	2	2					
13	3	XL1808320	DIODE ASY	1	1	1					
14	3	119129-77250	WIRE, LEAD	1	1	1					
15	4	119129-77260	CLAMP	1	1	1					
16	2	XL235340110	COVER ASSY, FRONT	1	1	1					
17	3	XL150M14041	RETAINER	1	1	1					
18	3	X6303BM0000	BEARING, BALL	1	1	1					
19	3	119129-77930	SCREW KIT	1	1	1					
20	2	119129-77890	BOLT, THROUGH	4	4	4					
21	2	119129-77900	NUT ASSY, PULLEY	1	1	1					
22	2	XL180G85001	PULLEY ASSY	1	1	1					
23	1	119573-77250	CONDENSER ASSY	1	1	1					
24	2	119573-77260	CONDENSER	1	1	1					
25	2	119573-77270	BUSH	2	2	2					
26	2	129772-77280	CLAMP	1	1	1					

Remarks
(1)INC.9

Fig.38. WIRE HARNESS & SENSOR

Y00R4661

Fig. 38 ワイヤハーネス&センサ
WIRE HARNESS & SENSOR



(A)=3JH3E
(B)=3JH3E(EPA)
(C)=3JH3CE

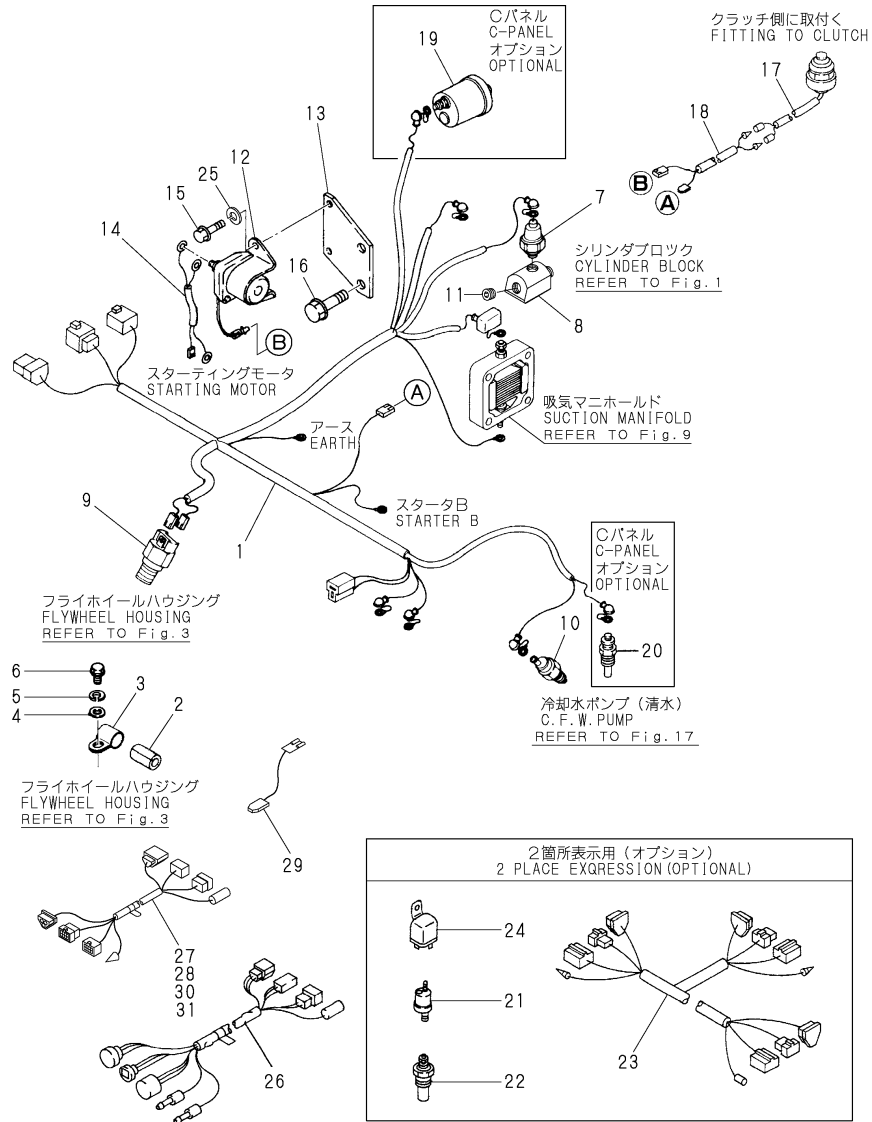
(D)=
(E)=
(F)=

No.	Lev.	Parts No.	Description	Q'ty						I	R
				(A)	(B)	(C)	(D)	(E)	(F)		
1	1	129198-77932	HARNESS, WIRE	1	1	1					
1-1	1	129198-77933	HARNESS, WIRE	1	1	1					N
		(A=*1999.08) (B=E/#A00447) (C=*1999.08)									
2	1	124770-77940	PROTECTOR	1	1	1					
3	1	124070-77950	CLAMP	1	1	1					
4	1	22137-080000	WASHER, 8	1	1	1					
5	1	22217-080000	WASHER, SPRING 8	1	1	1					
6	1	26106-080162	BOLT, M8X 16 PLATED	1	1	1					
7	1	124060-39451	SWITCH, 0.2KG	1	1	1					
7-1	1	124060-39452	SWITCH, 0.2KG	1	1	1					N
		(A=*2000.12) (B=E/#A01952) (C=*2000.12)									
8	1	129270-39610	DAMPER, PT1/8	1	1	1					
9	1	128170-91160	SENSOR	1	1	1					
10	1	120130-91370	SWITCH, 100	1	1	1					
11	1	23871-010000	PLUG, R01	1	1	1					
11-1	1	129270-39620	PLUG, R1/8	1	1	1					N
		(A=E/#E20512) (B=E/#E20512) (C=E/#E20512)									
12	1	129490-77910	RELAY, STARTER	1	1	1					
13	1	129573-77951	BRACKET	1	1	1					
14	1	129573-77960	HARNESS, WIRE	1	1	1					
15	1	26106-060102	BOLT, M6X 10 PLATED	2	2	2					
15-1	1	26106-060082	BOLT, M6X 8 PLATED	2	2	2					N
		(A=E/#E20462) (C=E/#E20462)									
16	1	26106-100162	BOLT, M10X 16 PLATED	2	2	2					
17	1	120270-77101	SWITCH, SAFETY	1	1	1					
18	1	129570-77960	HARNESS, WIRE	1	1	1					
19	1	144626-91560	SENSOR	1	1	1					
19-1	1	119773-91500	SENDER	1	1	1					N
		(A=E/#E20277) (C=E/#E20277)									
19-2	1	119773-91501	SENSOR	1	1	1					N
		(A=*2000.10) (B=E/#A01802) (C=*2000.10)									
20	1	144626-91570	SENDER UNIT	1	1	1					
21	1	129574-91560	SENSOR	1	1	1					
21-1	1	129574-91561	SENSOR	1	1	1					R
		(A=*2001.06) (B=E/#A02416) (C=*2001.06)									
22	1	129574-91570	SENSOR	1	1	1					
23	1	129574-77980	HARNESS, WIRE	1	1	1					
24	1	124617-91850	RELAY	1	1	1					
24-1	1	119773-91850	RELAY	1	1	1					R
		(A=*2000.02) (B=E/#A00948) (C=*2000.02)									
25	1	22217-060000	WASHER, SPRING 6	2	2	2					W
		(A=E/#E20462) (C=E/#E20462)									
26	1	129574-77860	HARNESS, WIRE	1	1	1					Z
		(A=*2001.07) (B=E/#A02522) (C=*2001.07)									
27	1	129574-77710	HARNESS, WIRE 4M	1	1	1					
28	1	129574-77720	HARNESS, WIRE 6M	1	1	1					
29	1	129270-77920	HARNESS, WIRE	1	1	1					W
		(A=*1999.08) (B=E/#A00447) (C=*1999.08)									
30	1	128391-77720	HARNESS, WIRE		1						W
		(B=E/#A02336)									
31	1	129574-77740	HARNESS, WIRE 10M		1						W

Fig.38. WIRE HARNESS & SENSOR

Y00R4661

Fig. **38** ワイヤハーネス&センサ
WIRE HARNESS & SENSOR



(A)=3JH3E
(B)=3JH3E(EPA)
(C)=3JH3CE

(D)=
(E)=
(F)=

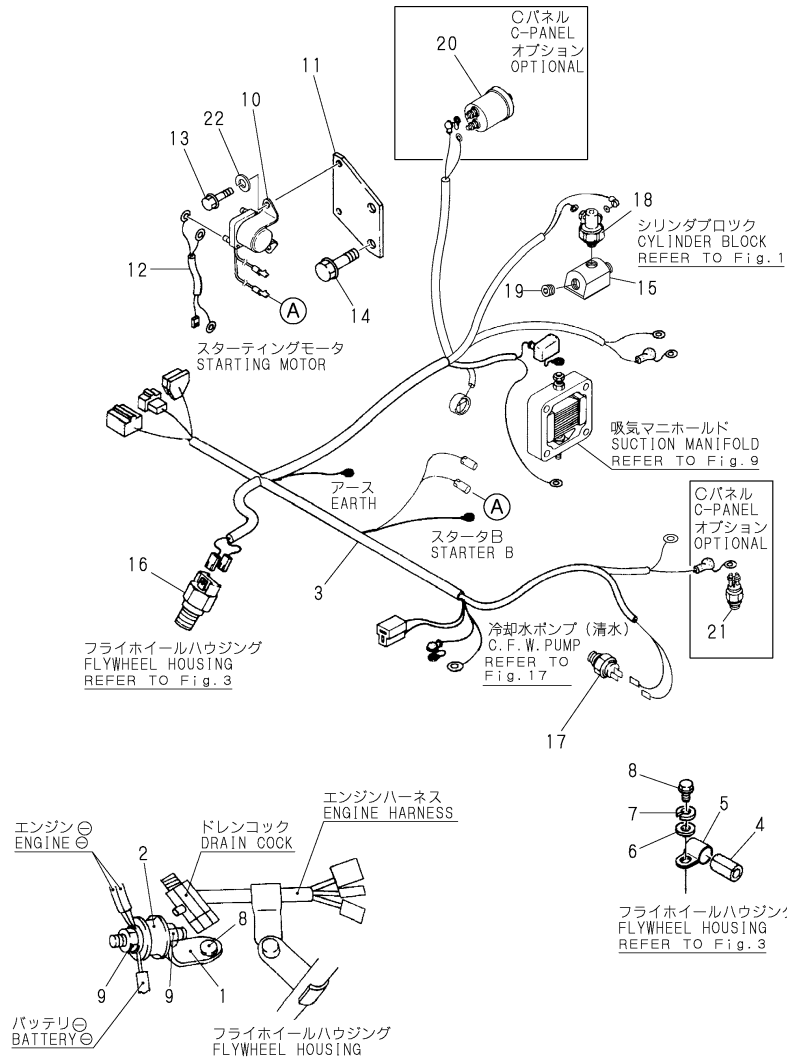
No.	Lev.	Parts No.	Description	Q'ty						I	R
				(A)	(B)	(C)	(D)	(E)	(F)		

(B=E/#A03017)

Fig.39. WIRE HARNESS & SENSOR(EARTH FLOAT TYPE)

Y00R4661

Fig. 39 ワイヤハーネス&センサ (2線式)
WIRE HARNESS & SENSOR (EARTH FLOAT TYPE)



(A)=3JH3E
(B)=3JH3E(EPA)
(C)=3JH3CE

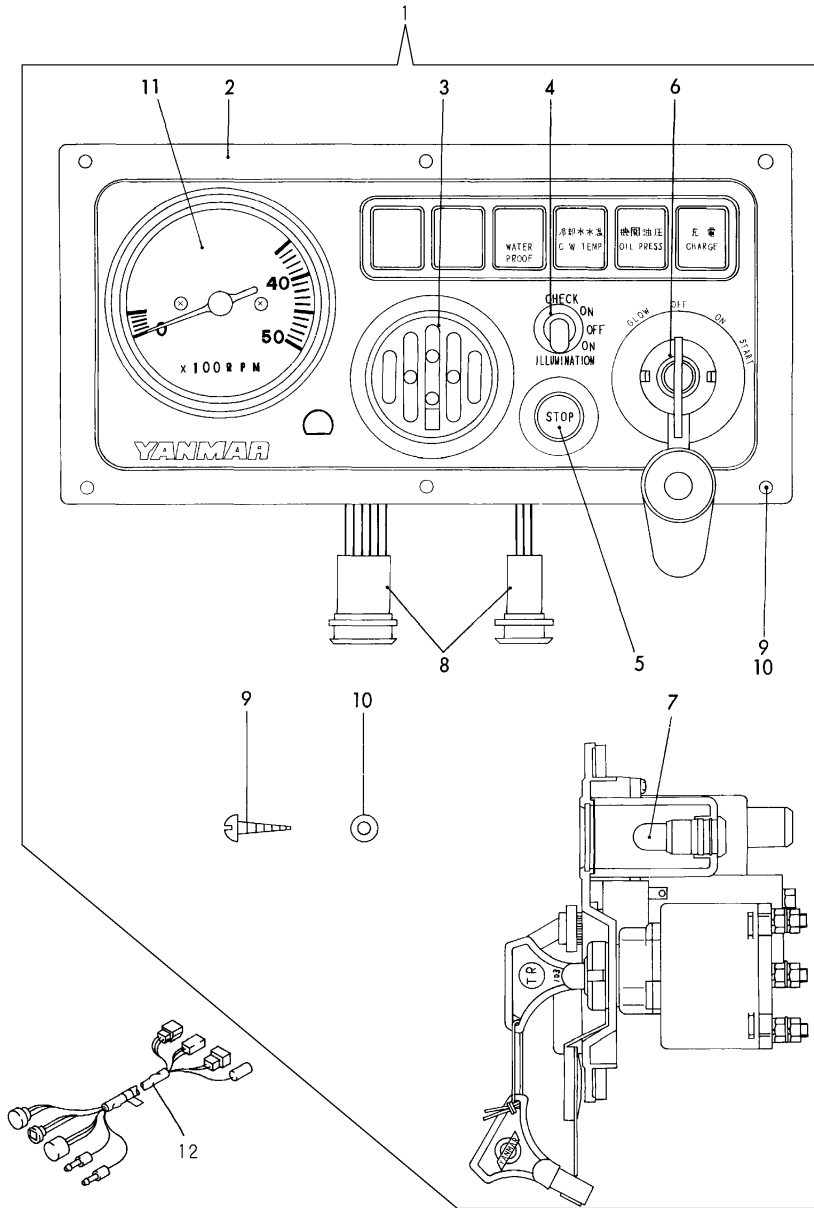
(D)=
(E)=
(F)=

No.	Lev.	Parts No.	Description	Q'ty						I	R
				(A)	(B)	(C)	(D)	(E)	(F)		
1	1	129590-59200	RETAINER, PIPE	1	1	1					
2	1	194555-62750	RUBBER, ABSORBER	1	1	1					
3	1	129170-77820	HARNESS, WIRE	1	1	1					
4	1	124770-77940	PROTECTOR	1	1	1					
5	1	124070-77950	CLAMP	1	1	1					
6	1	22137-080000	WASHER, 8	1	1	1					
7	1	22217-080000	WASHER, SPRING 8	1	1	1					
8	1	26106-080202	BOLT, M8X 20 PLATED	1	1	1					
9	1	26716-080002	NUT, M8	2	2	2					
10	1	129570-77920	RELAY, STARTER	1	1	1					
11	1	129573-77951	BRACKET	1	1	1					
12	1	129573-77960	HARNESS, WIRE	1	1	1					
13	1	26106-060102	BOLT, M6X 10 PLATED	2	2	2					
13-1	1	26106-060082	BOLT, M6X 8 PLATED	2	2	2					N
(A=E/#E20462) (C=E/#E20462)											
14	1	26106-100162	BOLT, M10X 16 PLATED	2	2	2					
15	1	129270-39610	DAMPER, PT1/8	1	1	1					
16	1	128170-91160	SENSOR	1	1	1					
17	1	129570-91320	SWITCH, 100	1	1	1					
18	1	126630-91591	SWITCH,OIL PRESSURE	1	1	1					
19	1	23876-010000	PLUG, R01	1	1	1					
20	1	126630-91560	SENDER UNIT	1	1	1					
20-1	1	119773-91520	SENDER UNIT	1	1	1					R
(A=*2001.06) (B=E/#A02416) (C=*2001.06)											
21	1	126630-91570	SENDER UNIT	1	1	1					
22	1	22217-060000	WASHER, SPRING 6	2	2	2					W
(A=E/#E20462) (C=E/#E20462)											

Fig.40. INSTRUMENT PANEL(B-TYPE)

Y00R4661

Fig. 40 計器盤 (Bタイプ)
INSTRUMENT PANEL (B-TYPE)



(A)=3JH3E
(B)=3JH3E(EPA)
(C)=3JH3CE

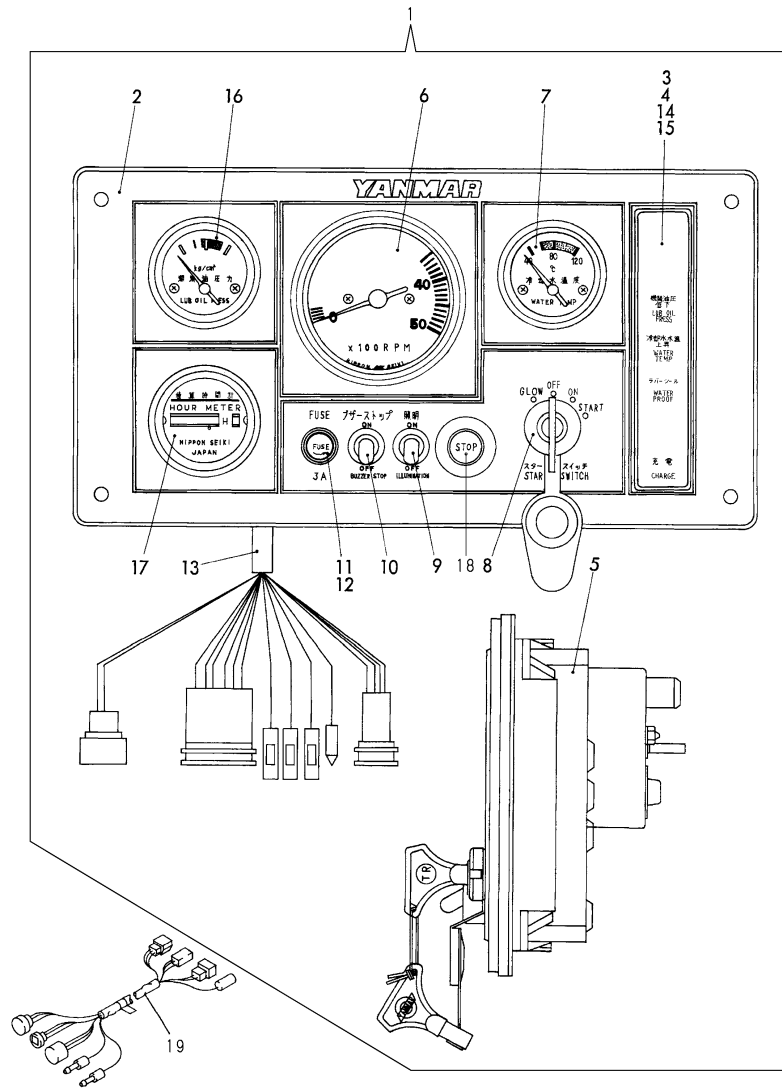
(D)=
(E)=
(F)=

No.	Lev.	Parts No.	Description	Qty						I	R
				(A)	(B)	(C)	(D)	(E)	(F)		
1	1	129670-91110	PANEL ASSY, B	1	1	1					
2	2	129495-91010	BODY, PANEL	1	1	1					
3	2	104271-91352	BUZZER	1	1	1					
4	2	128170-91310	SWITCH	1	1	1					
5	2	129470-91190	SWITCH, STOP	1	1	1					
6	2	127412-91250	SWITCH, KEY	1	1	1					
7	2	124617-91920	BULB, 12V-3W	4	4	4					
8	2	129171-91850	HARNES, WIRE	1	1	1					
9	2	128170-91810	SCREW, M5X35	6	6	6					
10	2	128170-91820	WASHER, 5	6	6	6					
11	2	129670-91200	TACHOMETER	1	1	1					
12	1	129574-77860	HARNES, WIRE	1	1	1					

Fig.41. INSTRUMENT PANEL(C-TYPE,PREVIOUS)

Y00R4661

Fig. 41 計器盤 (Cタイプ, 旧形)
INSTRUMENT PANEL (C-TYPE, PREVIOUS)



(A)=3JH3E
(B)=3JH3E(EPA)
(C)=3JH3CE
(D)=
(E)=
(F)=

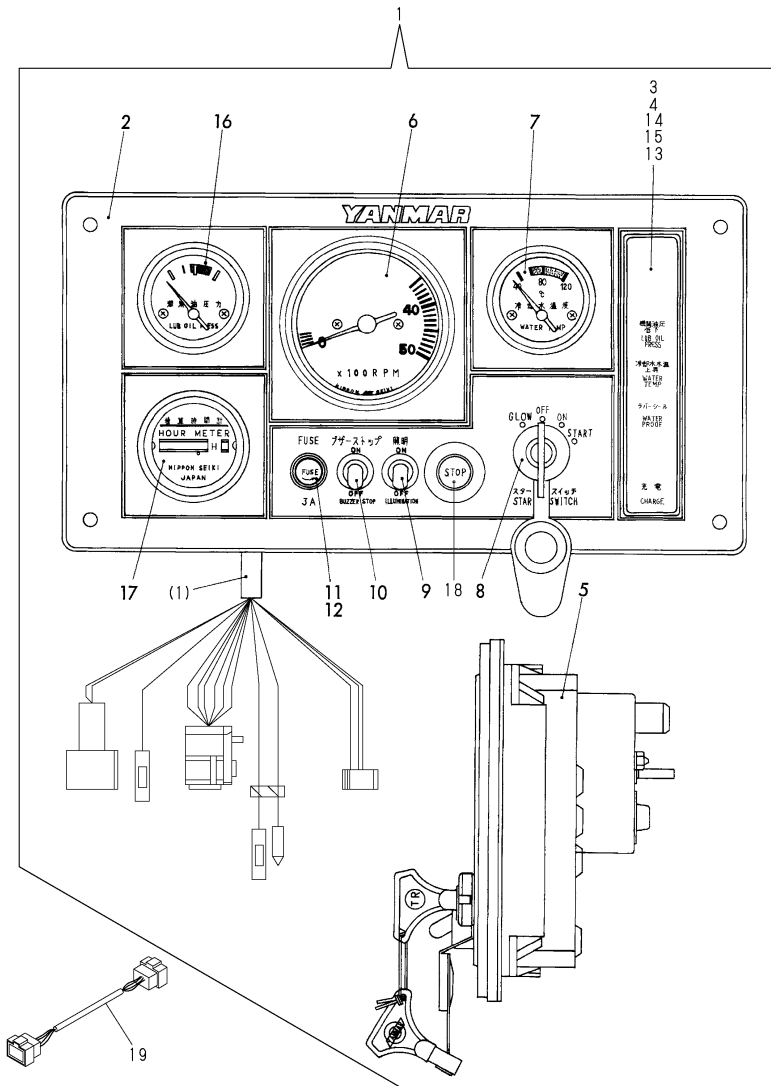
No.	Lev.	Parts No.	Description	Q'ty						I	R
				(A)	(B)	(C)	(D)	(E)	(F)		
1	1	129171-91171	PANEL ASSY	1	1	1					
1-1	1	129171-91172	PANEL ASSY, C	1	1	1					S
		(A=*1999.10) (B=E/#A00583) (C=*1999.10)									
1-2	1	129171-91172	PANEL ASSY, C	1	1	1					Z 1
		(A=*2001.07) (B=E/#A02522) (C=*2001.07)									
2	2	129470-91180	BODY, PANEL	1	1	1					
3	2	129171-91600	LENS ASSY	1	1	1					
4	3	127410-91600	LENS	1	1	1					
5	2	127410-91620	BODY	1	1	1					
6	2	129171-91200	TACHOMETER ASSY	1	1	1					
7	2	124617-91840	THERMOMETER, WATER	1	1	1					
8	2	121575-91250	SWITCH, KEY	1	1	1					
9	2	127687-91790	SWITCH	1	1	1					
10	2	128270-91350	BUZZER, ALARM	1	1	1					
11	2	46150-003610	BOX(WITH OUT FUSE	1	1	1					
12	3	46150-003620	FUSE	1	1	1					
13	2	129171-91880	HARNES, WIRE	1	1	1					
14	2	124617-91920	BULB, 12V-3W	1	1	1					
15	2	194555-55820	BULB, 12V1.7W	7	7	7					
16	2	129470-91160	GAUGE	1	1	1					
16-1	2	129470-91161	METER	1	1	1					S
		(A=*1999.10) (B=E/#A00583) (C=*1999.10)									
17	2	157854-04300	HOURL METER	1	1	1					
18	2	129470-91190	SWITCH, STOP	1	1	1					
19	1	129574-77860	HARNES, WIRE	1	1	1					Z
		(A=*2001.07) (B=E/#A02522) (C=*2001.07)									

Remarks
(1)INTERCHANGEABILITY IS <N> WITH
FIG.42 REF.NO.1.

Fig.42. INSTRUMENT PANEL(C-TYPE,NEW)

Y00R4661

Fig. 42 計器盤 (Cタイプ, 新形)
INSTRUMENT PANEL (C-TYPE, NEW)



(A)=3JH3E
(B)=3JH3E(EPA)
(C)=3JH3CE

(D)=
(E)=
(F)=

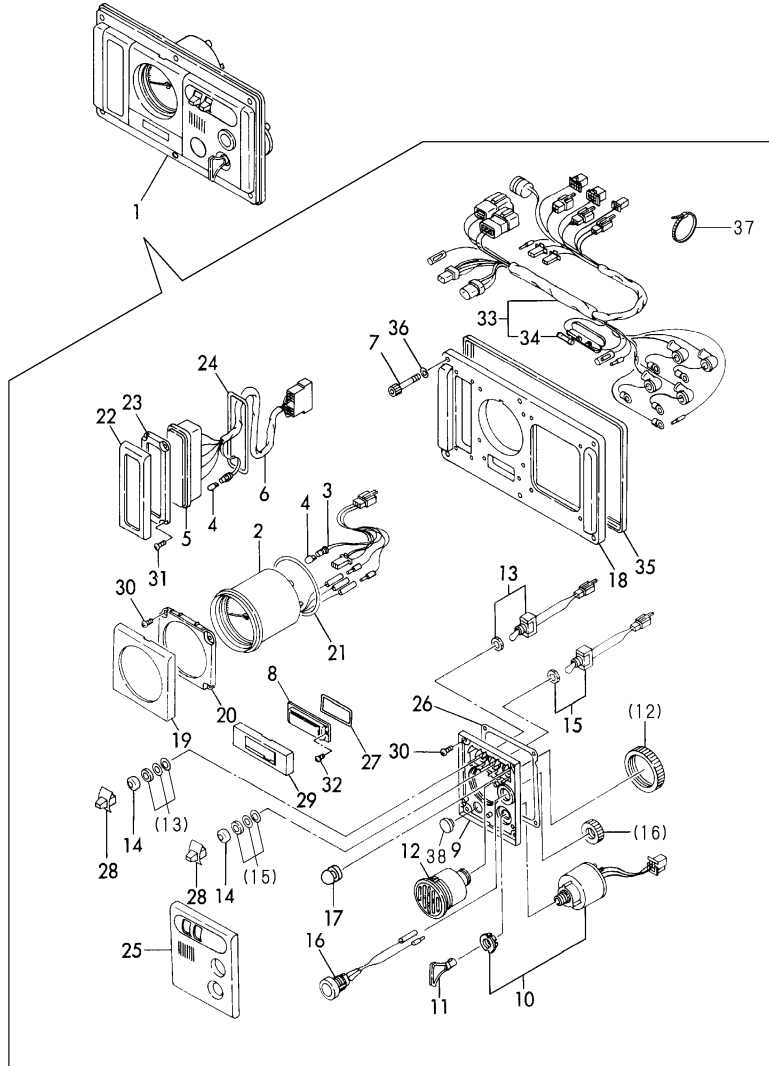
No.	Lev.	Parts No.	Description	Qty						I	R
				(A)	(B)	(C)	(D)	(E)	(F)		
1	1	129171-91173	PANEL ASSY, C (A=*2001.07) (B=E/#A02522) (C=*2001.07)	1	1	1					W
1-1	1	129171-91174	PANEL ASSY, C (A=*2002.02) (B=E/#A02975) (C=*2002.02)	1	1	1					F 1
2	2	129470-91180	BODY, PANEL	1	1	1					
3	2	129171-91600	LENS ASSY	1	1	1					
4	3	127410-91600	LENS	1	1	1					
5	2	127410-91620	BODY	1	1	1					
6	2	129171-91200	TACHOMETER ASSY	1	1	1					
7	2	124617-91840	THERMOMETER, WATER	1	1	1					
8	2	121575-91250	SWITCH, KEY	1	1	1					
9	2	127687-91790	SWITCH	1	1	1					
10	2	128270-91350	BUZZER, ALARM	1	1	1					
11	2	46150-003610	BOX(WITH OUT FUSE)	1	1	1					
12	3	46150-003620	FUSE	1	1	1					
13	2	127410-91610	RETAINER	1	1	1					
14	2	124617-91920	BULB, 12V-3W	1	1	1					
15	2	194555-55820	BULB, 12V1.7W	7	7	7					
16	2	129470-91161	METER	1	1	1					
17	2	157854-04300	HOUR METER	1	1	1					
18	2	129470-91190	SWITCH, STOP	1	1	1					
19	1	129670-77990	ADAPTER (A=*2002.02) (B=E/#A02975) (C=*2002.02)	1	1	1					W

Remarks
(1)INTERCHANGEABLE BY SIMULTANEOUS
REPLACEMENT WITH REF.NO.19.

Fig.43. INSTRUMENT PANEL(B,NEW-TYPE)

Y00R4661

Fig. **43** 計器盤 (B, 新タイプ)
INSTRUMENT PANEL (B, NEW-TYPE)



(A)=3JH3E
(B)=3JH3E(EPA)
(C)=3JH3CE

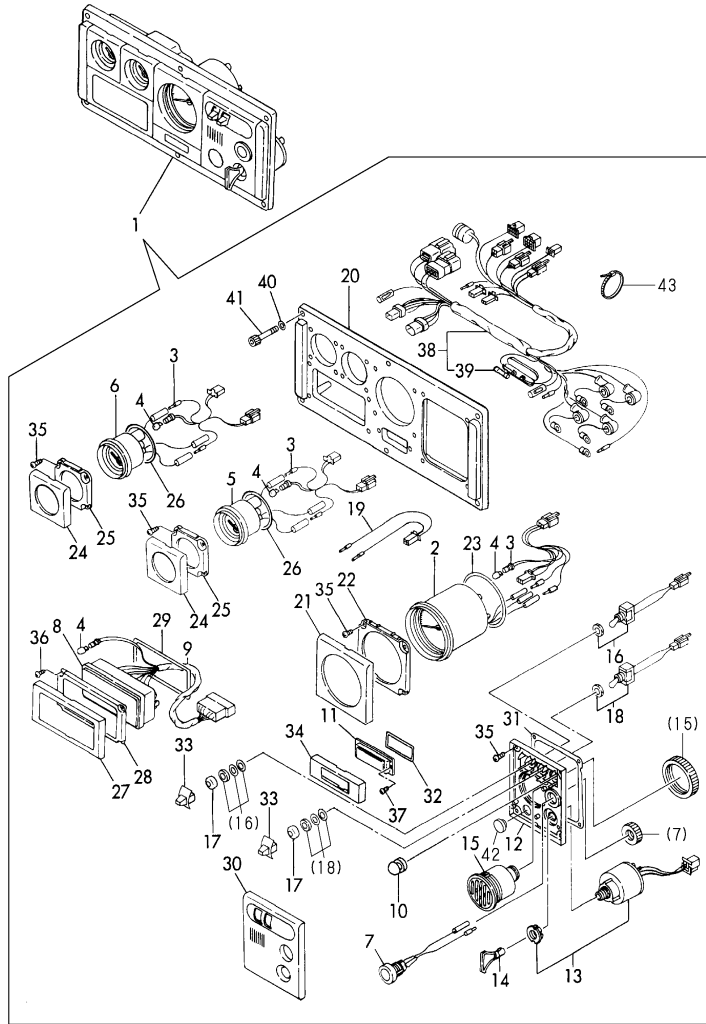
(D)=
(E)=
(F)=

No.	Lev.	Parts No.	Description	Q'ty						I	R
				(A)	(B)	(C)	(D)	(E)	(F)		
1	1	129670-91130 (A=E/#E20336)	PANEL ASSY, B (C=E/#E20336)	1	1	1					W
2	2	119773-91200	METER, TACHO./HOUR	1	1	1					
3	2	129574-91870	HARNES, WIRE	1	1	1					
4	2	124617-91980	BULB, 12V-1.7W	5	5	5					
5	2	128391-91260	BOX	1	1	1					
6	2	128391-91860	WIRE	1	1	1					
7	2	127687-91870	BOLT, M6X35	6	6	6					
8	2	129170-91650	COVER	1	1	1					
9	2	129574-91410	BRACKET, SWITCH	1	1	1					
10	2	121575-91250	SWITCH, KEY	1	1	1					
11	2	123482-91291	KEY	1	1	1					
12	2	104271-91352	BUZZER	1	1	1					
13	2	129170-91800	SWITCH	1	1	1					
14	2	129574-91780	CAP, RUBBER	2	2	2					
15	2	129574-91790	SWITCH	1	1	1					
16	2	129470-91190	SWITCH, STOP	1	1	1					
17	2	129170-91810	COVER	1	1	1					
18	2	128391-91930	PANEL	1	1	1					
19	2	129574-91620	BEZEL	1	1	1					
20	2	129574-91420	BRACKET	1	1	1					
21	2	129574-91720	GASKET	1	1	1					
22	2	128391-91640	BEZEL	1	1	1					
23	2	128391-91440	PLATE	1	1	1					
24	2	128391-91740	GASKET	1	1	1					
25	2	129170-91610	BEZEL	1	1	1					
26	2	129574-91710	GASKET	1	1	1					
27	2	129574-91750	GASKET	1	1	1					
28	2	129574-91770	KNOB	2	2	2					
29	2	129574-91650	BEZEL	1	1	1					
30	2	127692-91410	SCREW	8	8	8					
31	2	127692-91440	SCREW	4	4	4					
32	2	127692-91450	SCREW	2	2	2					
33	2	129570-91850	HARNES, WIRE	1	1	1					
34	3	124617-91990	FUSE	1	1	1					
35	2	128391-91700	GASKET	1	1	1					
36	2	127687-91880	WASHER	6	6	6					
37	2	198451-78680	CLAMP, CORD	1	1	1					
38	2	129574-91760	COVER	1	1	1					

Fig.44. INSTRUMENT PANEL(C,NEW-TYPE,PREVIOUS)

Y00R4661

Fig. 44 計器盤 (C, 新タイプ, 旧形)
INSTRUMENT PANEL (C, NEW-TYPE, PREVIOUS)



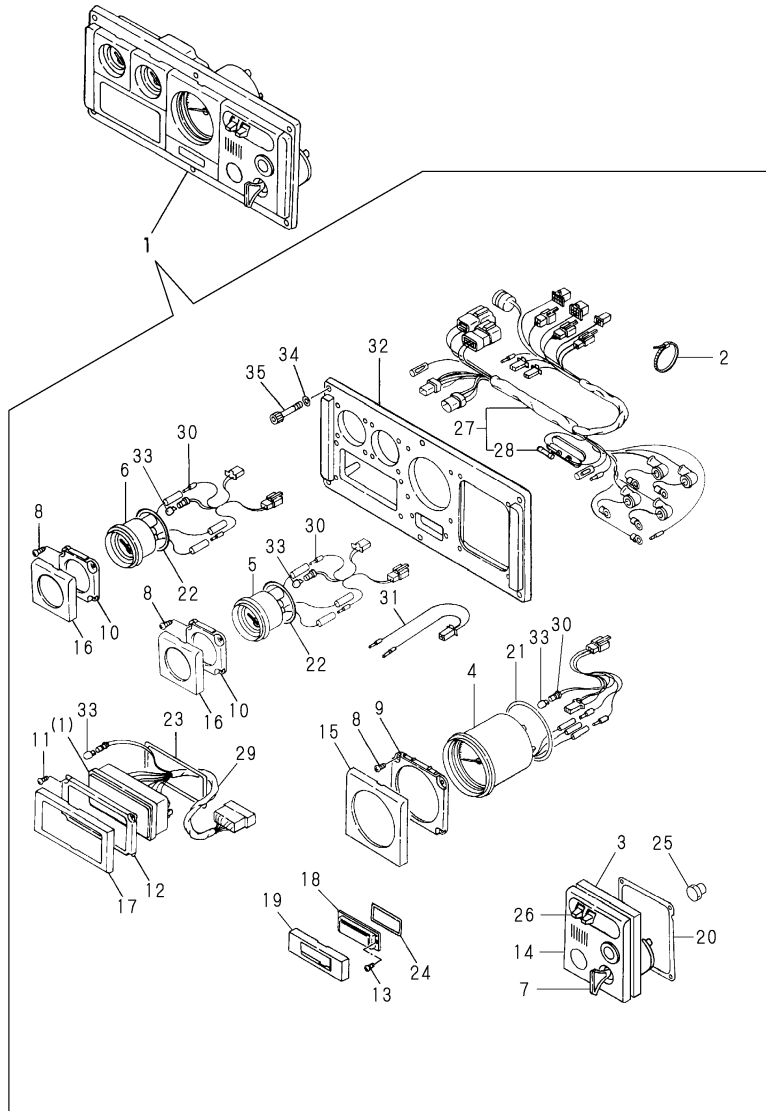
No.	Lev.	Parts No.	Description	Qty						I	R
				(A)	(B)	(C)	(D)	(E)	(F)		
1	1	129670-91160 (A=E/#E20336)	PANEL, INSTRUMENT C (C=E/#E20336)	1	1	1					W
1-1	1	129670-91161	PANEL, INSTRUMENT C	1	1	1					S
1-2	1	129670-91161 (A=*1999.10) (A=*2002.01)	PANEL, INSTRUMENT C (B=E/#A00583) (B=E/#A02945) (C=*1999.10) (C=*2002.01)	1	1	1					Z 1
2	2	119773-91200	METER, TACHO./HOUR	1	1	1					
3	2	129574-91870	HARNESS, WIRE	3	3	3					
4	2	124617-91980	BULB, 12V-1.7W	7	7	7					
5	2	129574-91210	METER	1	1	1					
6	2	129574-91220 (A=E/#E20336)	METER (C=E/#E20336)	1	1	1					W
6-1	2	129574-91221 (A=*1999.10)	METER (B=E/#A00583) (C=*1999.10)	1	1	1					S
7	2	129470-91190	SWITCH, STOP	1	1	1					
8	2	129170-91260	BOX	1	1	1					
9	2	129170-91860	HARNESS, WIRE	1	1	1					
10	2	129170-91810	COVER	1	1	1					
11	2	129170-91650	COVER	1	1	1					
12	2	129574-91410	BRACKET, SWITCH	1	1	1					
13	2	121575-91250	SWITCH, KEY	1	1	1					
14	2	123482-91291	KEY	1	1	1					
15	2	104271-91352	BUZZER	1	1	1					
16	2	129170-91800	SWITCH	1	1	1					
17	2	129574-91780	CAP, RUBBER	2	2	2					
18	2	129574-91790	SWITCH	1	1	1					
19	2	129170-91890	HARNESS, WIRE	1	1	1					
20	2	129170-91930	PANEL	1	1	1					
21	2	129574-91620	BEZEL	1	1	1					
22	2	129574-91420	BRACKET	1	1	1					
23	2	129574-91720	GASKET	1	1	1					
24	2	129574-91630	BEZEL	2	2	2					
25	2	129574-91430	BRACKET	2	2	2					
26	2	129574-91730	GASKET	2	2	2					
27	2	129574-91640	BEZEL	1	1	1					
28	2	129574-91440	BRACKET	1	1	1					
29	2	129574-91740	GASKET	1	1	1					
30	2	129170-91610	BEZEL	1	1	1					
31	2	129574-91710	GASKET	1	1	1					
32	2	129574-91750	GASKET	1	1	1					
33	2	129574-91770	KNOB	2	2	2					
34	2	129574-91650	BEZEL	1	1	1					
35	2	127692-91410	SCREW	16	16	16					
36	2	127692-91440	SCREW	4	4	4					
37	2	127692-91450	SCREW	2	2	2					
38	2	129170-91850	HARNESS, WIRE	1	1	1					
39	3	124617-91990	FUSE	1	1	1					
40	2	127687-91880	WASHER	6	6	6					
41	2	127687-91870	BOLT, M6X35	6	6	6					
42	2	129574-91760	COVER	1	1	1					
43	2	198451-78680	CLAMP, CORD	2	2	2					

Remarks
(1)INTERCHANGEABILITY IS <N> WITH
FIG.45 REF.NO.1.

Fig.45. INSTRUMENT PANEL(C,NEW-TYPE,NEW)

Y00R4661

Fig. 45 計器盤 (C, 新タイプ, 新形)
INSTRUMENT PANEL (C, NEW-TYPE, NEW)



(A)=3JH3E
(B)=3JH3E(EPA)
(C)=3JH3CE

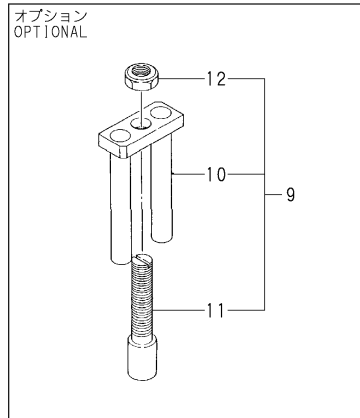
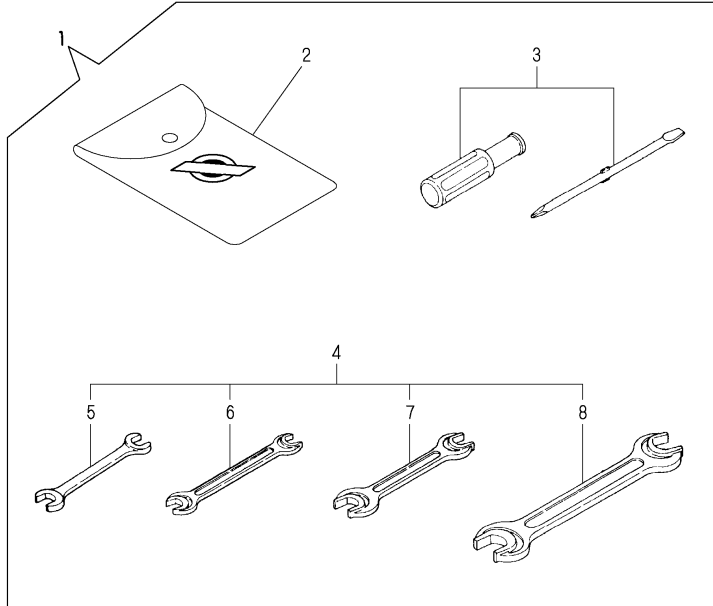
(D)=
(E)=
(F)=

No.	Lev.	Parts No.	Description	Q'ty						I	R
				(A)	(B)	(C)	(D)	(E)	(F)		
1	1	129670-91162 (A=*2002.01) (B=E/#A02945) (C=*2002.01)	PANEL, INSTRUMENT	1	1	1					W
2	2	198451-78680	CLAMP, CORD	2	2	2					
3	2	129470-91191	BOX ASSY	1	1	1					
4	2	119773-91200	METER, TACHO./HOUR	1	1	1					
5	2	129574-91210	METER	1	1	1					
6	2	129574-91222	METER	1	1	1					
7	2	123482-91291	KEY	1	1	1					
8	2	127692-91410	SCREW	16	16	16					
9	2	129574-91420	BRACKET	1	1	1					
10	2	129574-91430	BRACKET	2	2	2					
11	2	127692-91440	SCREW	4	4	4					
12	2	129574-91440	BRACKET	1	1	1					
13	2	127692-91450	SCREW	2	2	2					
14	2	129170-91610	BEZEL	1	1	1					
15	2	129574-91620	BEZEL	1	1	1					
16	2	129574-91630	BEZEL	2	2	2					
17	2	129574-91640	BEZEL	1	1	1					
18	2	129170-91650	COVER	1	1	1					
19	2	129574-91650	BEZEL	1	1	1					
20	2	129574-91710	GASKET	1	1	1					
21	2	129574-91720	GASKET	1	1	1					
22	2	129574-91730	GASKET	2	2	2					
23	2	129574-91740	GASKET	1	1	1					
24	2	129574-91750	GASKET	1	1	1					
25	2	129574-91760	COVER	1	1	1					
26	2	129574-91770	KNOB	2	2	2					
27	2	129170-91850	HARNESS, WIRE	1	1	1					
28	3	124617-91990	FUSE	1	1	1					
29	2	129170-91860	HARNESS, WIRE	1	1	1					
30	2	129574-91870	HARNESS, WIRE	3	3	3					
31	2	129574-91890	HARNESS, WIRE	1	1	1					
32	2	129170-91930	PANEL	1	1	1					
33	2	124617-91980	BULB, 12V-1.7W	7	7	7					
34	2	127687-91880	WASHER	6	6	6					
35	2	127687-91870	BOLT, M6X35	6	6	6					

Fig.46. TOOL

Y00R4661

Fig. 46 工具 TOOL



(A)=3JH3E
(B)=3JH3E(EPA)
(C)=3JH3CE

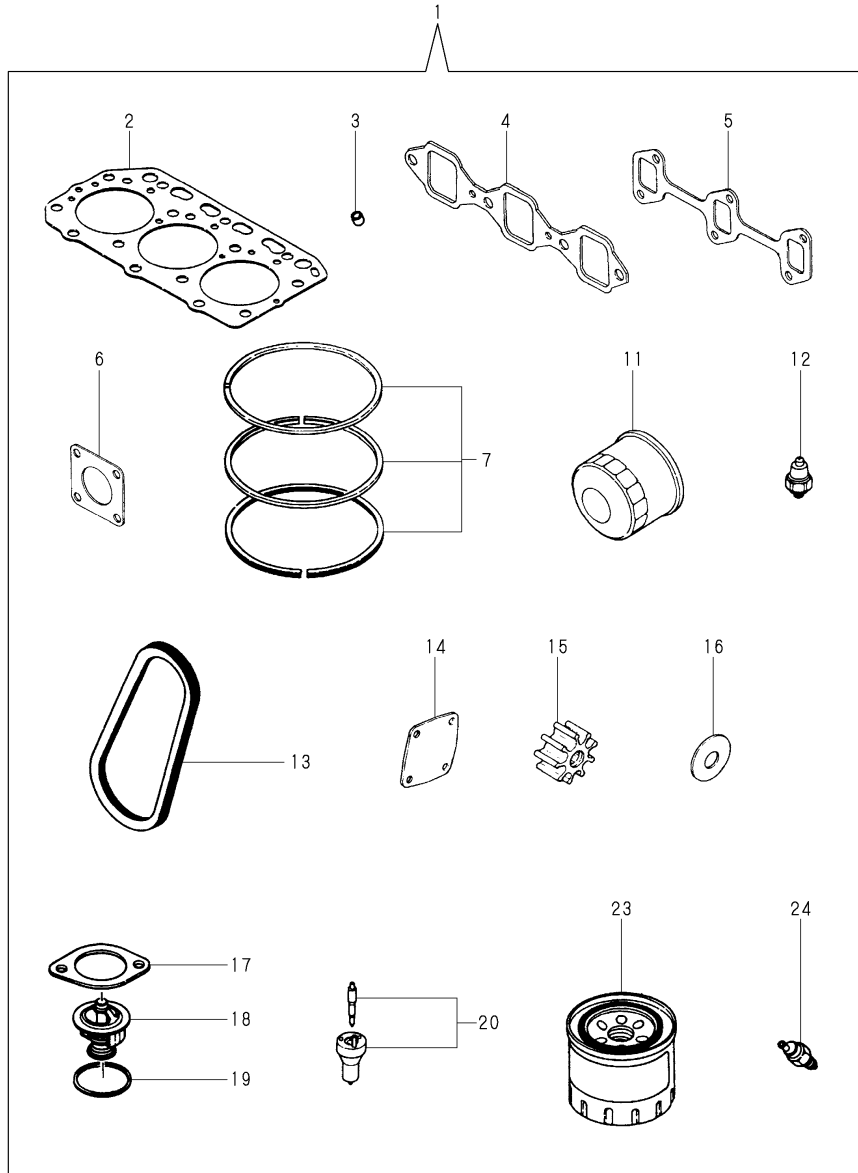
(D)=
(E)=
(F)=

No.	Lev.	Parts No.	Description	Qty						I	R
				(A)	(B)	(C)	(D)	(E)	(F)		
1	1	129270-92100	BOX, TOOL	1	1	1					
2	2	129270-92600	BAG, TOOL	1	1	1					
3	2	129270-92650	DRIVER	1	1	1					
4	2	129270-92690	WRENCH ASSY	1	1	1					
5	3	129270-92610	WRENCH, 10X13	1	1	1					
6	3	129270-92620	WRENCH, 12X14	1	1	1					
7	3	129270-92630	WRENCH, 17X19	1	1	1					
8	3	129270-92640	WRENCH, 22X24	1	1	1					
9	1	129470-92300	TOOL ASSY, NOZZLE	1	1	1					
10	2	129470-92310	TOOL,NOZZLE REMOVE A	1	1	1					
11	2	129470-92320	TOOL,NOZZLE REMOVE B	1	1	1					
12	2	26716-120002	NUT, M12	1	1	1					

Fig.47. SPARE PART(OPTIONAL)

Y00R4661

Fig.47 スペアパーツ (オプション)
SPARE PART (OPTIONAL)



(A)=3JH3E
(B)=3JH3E(EPA)
(C)=3JH3CE

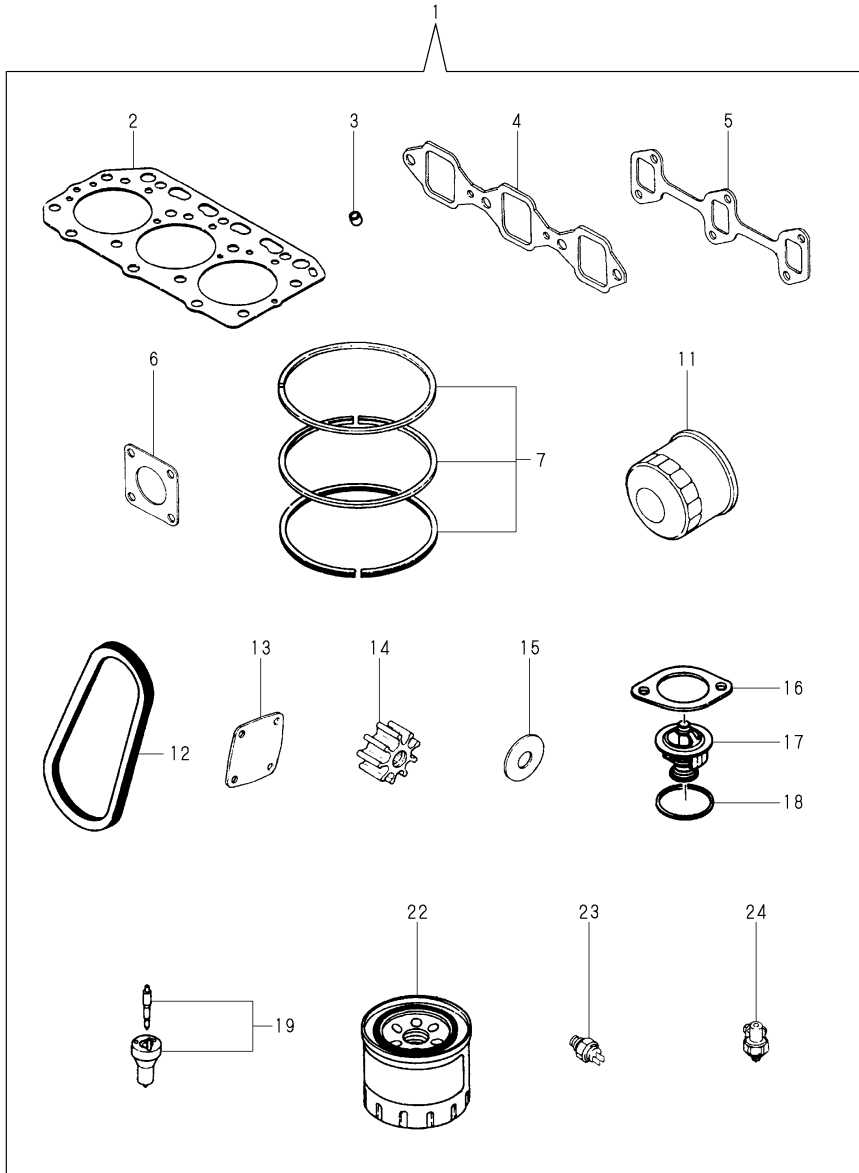
(D)=
(E)=
(F)=

No.	Lev.	Parts No.	Description	Q'ty						I	R
				(A)	(B)	(C)	(D)	(E)	(F)		
1	1	729270-92500	REPAIR KIT	1	1	1					
2	2	129002-01331	GASKET, HEAD	1	1	1					
3	2	119625-11871	PROTECTOR, NOZZLE	3	3	3					
3-1	2	119625-11870 (A=E/#E20456)	PROTECTOR, NOZZLE (C=E/#E20456)	3	3	3					N
4	2	129150-12111	GASKET, MANIFOLD	1	1	1					
5	2	129150-13110	GASKET	1	1	1					
6	2	129472-18090	GASKET	1	1	1					
7	2	129002-22510	RING SET, PISTON	3	3	3					
11	2	119305-35150	FILTER, OIL	1	1	1					
12	2	124060-39451	SWITCH, 0.2KG	1	1	1					
12-1	2	124060-39452	SWITCH, 0.2KG	1	1	1					N
13	2	171087-42280 (A=*2000.12)	V-BELT, A44 (B=E/#A01952)	1	1	1					
14	2	129670-42520	COVER	1	1	1					
15	2	129670-42530	IMPELLER	1	1	1					
16	2	129670-42540	PLATE	1	1	1					
17	2	129795-49551	GASKET	1	1	1					
18	2	129470-49801	THERMOSTAT, 76.5	1	1	1					
19	2	129470-49810	GASKET, THERMOSTAT	1	1	1					
20	2	129468-53000	VALVE ASSY, INJECTION	3	3	3					
23	2	129470-55701	STRAINER ASSY, FUEL	1	1	1					
24	2	120130-91370	SWITCH, 100	1	1	1					

Fig.48. SPARE PART(EARTH FLOAT TYPE,OPTIONAL

Y00R4661

Fig. **48** スペアパーツ (2線式, オプション)
SPART (EARTH FLOAT TYPE, OPTIONAL)



(A)=3JH3E
(B)=3JH3E(EPA)
(C)=3JH3CE

(D)=
(E)=
(F)=

No.	Lev.	Parts No.	Description	Q'ty						I	R
				(A)	(B)	(C)	(D)	(E)	(F)		
1	1	729270-92520	REPAIR KIT	1	1	1					
2	2	129002-01331	GASKET, HEAD	1	1	1					
3	2	119625-11871	PROTECTOR, NOZZLE	3		3					
3-1	2	119625-11870 (A=E/#E20456)	PROTECTOR, NOZZLE (C=E/#E20456)	3	3	3					N
4	2	129150-12111	GASKET, MANIFOLD	1	1	1					
5	2	129150-13110	GASKET	1	1	1					
6	2	129472-18090	GASKET	1	1	1					
7	2	129002-22510	RING SET, PISTON	3	3	3					
11	2	119305-35150	FILTER, OIL	1	1	1					
12	2	171087-42280	V-BELT, A44	1	1	1					
13	2	129670-42520	COVER	1	1	1					
14	2	129670-42530	IMPELLER	1	1	1					
15	2	129670-42540	PLATE	1	1	1					
16	2	129795-49551	GASKET	1	1	1					
17	2	129470-49801	THERMOSTAT, 76.5	1	1	1					
18	2	129470-49810	GASKET, THERMOSTAT	1	1	1					
19	2	129468-53000	VALVE ASSY,INJECTION	3	3	3					
22	2	129470-55701	STRAINER ASSY, FUEL	1	1	1					
23	2	129570-91320	SWITCH, 100	1	1	1					
24	2	126630-91591	SWITCH,OIL PRESSURE	1	1	1					

Parts No. Index

Parts No.	Fig. No.	Ref. No.
101304-59020	29	8
		16
104200-59170	29	11
104207-44480	20	9
104214-13580	10	10
104214-83980	33	13
104271-91352	40	3
	43	12
	44	15
105430-55041	30	8
105583-85900	33	10
114250-53080	27	5
		20
114250-53120	27	9
		24
114250-53130	27	10
		25
114250-53140	27	11
		26
114250-53210	27	12
		27
114250-53400	27	14
		28
114371-79070	34	23
119000-59550	29	21
119129-77250	37	14
119129-77260	37	15
119129-77320	37	3
119129-77890	37	20
119129-77900	37	21
119129-77930	37	19
119173-55700	29	4
119175-42620	16	8 -1
119305-35150	14	33
	47	11
	48	11
119573-77201	37	1
119573-77250	37	23
119573-77260	37	24
119573-77270	37	25
119593-59580	29	23 -1
119600-61540	25	41 -1
119600-66840	25	50
119620-49290	18	6 A-1
		12 -1
119625-11870	7	38 -1
	47	3 -1
	48	3 -1
119625-11871	7	38
	47	3

Parts No.	Fig. No.	Ref. No.
119625-11871	48	3
119625-11880	7	39
119625-11900	7	40
119660-61491	25	32
119660-61590	25	32 -1
119660-61901	25	47
119773-91200	43	2
	44	2
	45	4
119773-91500	38	19 -1
119773-91501	38	19 -2
119773-91520	39	20 -1
119773-91850	31	11 -1
	38	24 -1
119802-11280	7	37 -1
119865-21600	12	10
120130-11860	7	5
120130-49350	18	6 A
		12
120130-91370	38	10
	47	24
120270-54410	7	48
120270-77101	38	17
120322-33050	18	24 A
120323-61470	25	26 -1
120325-61100	25	73 -1
120445-44640	18	15
121023-01550	2	22
121111-21501	12	7
121400-11340	7	21
121450-01560	2	3
121550-23200	13	19
121575-91250	41	8
	42	8
	43	10
	44	13
121750-59890	8	16
	29	12
	31	5
121850-21680	12	13
121850-51960	2	9
122117-51560	24	49
122710-51050	24	6
122710-51090	24	9
123310-77640	34	26
123325-49421	10	12
		17
123482-91291	43	11
	44	14
	45	7

Parts No.	Fig. No.	Ref. No.
123682-07851	6	4
123900-77700	36	2
123900-77730	36	5
124060-39451	38	7
	47	12
124060-39452	38	7 -1
	47	12 -1
124066-59100	29	17
124070-59060	30	1
124070-59130	30	2
124070-77950	38	3
	39	5
124080-77390	37	10
124080-77490	35	3
124080-77520	37	12
124085-11690	17	5
124160-01751	2	4
	8	29
		31
124160-01910	1	4
124160-11360	8	11
		27
124160-39140	15	1
124160-49480	18	6 E
		16
124195-77770	34	22
124240-01871	16	25
124298-77020	34	2
124413-39100	14	36
124450-39240	15	2
124460-11340	7	22
124460-77680	19	5
124550-51350	24	31
124550-51370	24	32
124550-59820	15	7
124550-66370	25	49
124550-77030	34	24
124617-91840	41	7
	42	7
124617-91850	31	11
	38	24
124617-91920	40	7
	41	14
	42	14
124617-91980	43	4
	44	4
	45	33
124617-91990	43	34
	44	39
	45	28

Parts No.	Fig. No.	Ref. No.
124770-77940	38	2
	39	4
124790-44560	18	30
124950-51190	24	16
126630-91560	39	20
126630-91570	39	21
126630-91591	39	18
	48	24
127410-91600	41	4
	42	4
127410-91610	42	13
127410-91620	41	5
	42	5
127412-91250	40	6
127687-91790	41	9
	42	9
127687-91870	43	7
	44	41
	45	35
127687-91880	43	36
	44	40
	45	34
127692-91410	43	30
	44	35
	45	8
127692-91440	43	31
	44	36
	45	11
127692-91450	43	32
	44	37
	45	13
128170-13600	18	2
	32	6
128170-86500	31	42
128170-86501	31	42 -1
128170-91160	38	9
	39	16
128170-91310	40	4
128170-91810	40	9
128170-91820	40	10
128171-07150	6	1
128270-91350	41	10
	42	10
128271-77200	36	1
128271-77720	36	4
128271-77740	36	6
128271-77750	36	7
128296-07190	6	6
128296-07260	6	2
128296-07350	6	3

Parts No. Index

Parts No.	Fig. No.	Ref. No.
128296-07400	6	7
128296-07420	6	8
128296-07450	6	9
128296-07460	6	10
128377-07150	6	1 -1
128377-07260	6	2 -1
128377-07350	6	3 -1
128377-08350	4	10
128391-77720	38	30
128391-91260	43	5
128391-91440	43	23
128391-91640	43	22
128391-91700	43	35
128391-91740	43	24
128391-91860	43	6
128391-91930	43	18
128397-44500	18	28
128397-44510	18	29
128695-44090	19	1
	20	1
129001-01250	1	11 -1
129001-02800	1	15
129001-21000	12	1
129002-01331	1	22
	47	2
	48	2
129002-22510	13	3
		9
	47	7
	48	7
129002-22950	13	24
		30
129012-49030	20	10
129052-42050	17	3 -1
129052-42310	17	4 -1
129054-42320	17	2 -1
129100-01520	2	2
129100-01580	3	1
		5
	12	2
129100-01640	3	6
129100-01730	5	2
129100-11100	7	16
129100-11110	7	18
129100-11350	8	1
129100-11351	8	1 -1
129100-23910	13	18
129100-25061	11	9
129100-51570	24	49 -1
129100-59951	29	24

Parts No.	Fig. No.	Ref. No.
129100-61400	25	15
129100-61730	25	74
129100-61821	25	45
129100-61930	25	71
129100-77500	9	13
129100-77510	9	14
129107-44590	18	11
129120-33040	14	24
129120-35001	14	27
129120-35110	14	31
129120-35121	14	32
129129-14580	11	3
129150-01200	1	21
129150-01870	2	6
129150-01881	2	7
	16	22
129150-02020	1	6
129150-02450	11	4
129150-02870	1	23
129150-02930	1	18
129150-02940	1	26
129150-03020	8	3
		24
129150-03070	8	4
		20
129150-03080	8	5
		21
129150-03100	20	8
129150-11230	7	34
129150-11280	7	29
129150-11290	7	30
129150-11310	8	7
129150-11370	7	23
129150-11750	7	36
129150-11810	7	7
129150-12111	9	2
	47	4
	48	4
129150-13110	18	1
	47	5
	48	5
129150-14101	11	6
129150-14200	11	1
129150-14400	11	2
129150-21200	12	4
129150-23600	13	20
129150-23610	13	34
129150-25101	11	10
129150-25301	24	81
129150-25920	11	13

Parts No.	Fig. No.	Ref. No.
129150-25931	24	78 -1
129150-32020	14	14
129150-35041	14	16
129150-35091	14	17
129150-35350	14	35
129150-39450	15	3
129150-42020	17	20
129150-42300	17	6
129150-42320	17	2
129150-59120	28	1
129150-59131	28	4
129150-59580	29	23
129155-11241	7	26
129155-11260	7	27
129155-11270	7	28
129155-51020	24	4
129155-51140	24	13
129155-51180	24	15
129155-51200	24	17
129155-51270	24	24
129155-51280	24	25
	25	2
129155-51380	24	34
129155-51390	24	35
129155-51400	24	36
129155-51410	24	37
129155-51420	24	38
129155-51450	24	39
129155-51500	24	44
129155-51521	24	45
129155-51530	24	46
129155-51540	24	47
129155-51550	24	48
129155-51570	24	51
129155-51580	24	52
129155-51591	24	53
129155-51600	24	54
129155-51700	24	55
129155-51701	24	55 -1
129155-51710	24	56
129155-51711	24	56 -1
129155-51750	24	57
129155-51751	24	57 -1
129155-51760	24	58
129155-51761	24	58 -1
129155-51790	24	59
129155-52050	26	2
129155-61013	25	3
129155-61050	25	4
129155-61060	25	5

Parts No.	Fig. No.	Ref. No.
129155-61070	25	6
129155-61120	25	7
129155-61130	25	8
129155-61140	25	9
129155-61201	25	10
		10 A
129155-61202	25	10 -1
129155-61341	25	14
129155-61430	25	18
129155-61450	25	23
		24
129155-61460	25	25
129155-61470	25	26
129155-61480	25	27
129155-61540	25	41
129155-61810	25	44
129155-61830	25	46
129155-61950	25	48
129156-44760	17	22
129156-51910	24	60
129158-52000	24	74
	26	1
129158-52100	26	3
129170-12100	9	1
129170-13000	10	4
129170-13020	10	6
129170-21650	12	15
129170-44000	18	4 -1
129170-44110	18	7 -1
129170-44900	18	3 -1
129170-49010	19	2
129170-49060	19	12
129170-77820	39	3
129170-91260	44	8
129170-91610	43	25
	44	30
	45	14
129170-91650	43	8
	44	11
	45	18
129170-91800	43	13
	44	16
129170-91810	43	17
	44	10
129170-91850	44	38
	45	27
129170-91860	44	9
	45	29
129170-91890	44	19
129170-91930	44	20

Parts No. Index

Parts No.	Fig. No.	Ref. No.
129170-91930	45	32
129171-07901	7	43 -1
129171-21650	12	11
129171-44600	18	10 -1
129171-49200	20	2
		6 -1
129171-49480	18	17
129171-49900	19	16
129171-51040	24	5
129171-67300	31	7
129171-67310	31	8
129171-81010	32	2
129171-81020	32	3
129171-85900	33	4
129171-91171	41	1
129171-91172	41	1 -1
		1 -2
129171-91173	42	1
129171-91174	42	1 -1
129171-91200	41	6
	42	6
129171-91600	41	3
	42	3
129171-91850	40	8
129171-91880	41	13
129190-03090	8	13
129190-49130	10	11
129190-51590	24	53 -1
129198-13500	10	7
129198-77932	38	1
129198-77933	38	1 -1
129202-22300	13	13
129208-54500	24	70
129209-61930	25	71 -1
129209-61950	25	77
129209-61951	25	77 -1
129209-61952	25	77 -2
129209-61970	25	75
129270-01720	5	1
129270-07510	6	11
129270-07560	6	11 -1
129270-08100	4	1
129270-11080	7	14 A
129270-11100	7	16 A
129270-11240	7	26 A
129270-11260	7	27 A
129270-11270	7	28 A
129270-11290	7	37 A
129270-11310	8	23
129270-11350	8	17

Parts No.	Fig. No.	Ref. No.
129270-11900	7	49
129270-11920	27	16
129270-12200	9	10
129270-12300	9	11
129270-14000	11	3 A
129270-21590	12	8
129270-21591	12	8 A
129270-22000	13	7
129270-22090	13	28
129270-33000	14	22
129270-33050	14	23
129270-34880	5	8
129270-39610	38	8
	39	15
129270-39620	38	11 -1
129270-44000	18	4
129270-44400	18	7
129270-44490	18	8
129270-44900	18	3
129270-49040	19	4 -1
129270-49210	20	2 -1
		6 -2
129270-49410	17	8
129270-49480	18	17 -1
		17 -2
129270-53000	27	17
129270-59550	29	21 -3
129270-59580	29	23 -2
129270-59810	28	6
129270-59811	28	19
129270-59820	28	10
129270-59821	28	23
129270-59830	28	14
129270-59831	28	27
129270-61500	25	33 -2
129270-67101	31	18
129270-67140	31	35
129270-67300	31	7 -1
129270-67310	31	8 -1
129270-77920	38	29
129270-81010	32	4
129270-81011	32	4 -1
129270-81020	32	1
129270-81021	32	1 -1
129270-81030	32	5
129270-81031	32	5 -1
		5 -2
129270-81070	32	2 -1
129270-81080	32	3 -1
129270-81110	32	4 -2

Parts No.	Fig. No.	Ref. No.
129270-81120	32	1 -2
129270-81170	32	2 -2
129270-81180	32	3 -2
129270-92100	46	1
129270-92600	46	2
129270-92610	46	5
129270-92620	46	6
129270-92630	46	7
129270-92640	46	8
129270-92650	46	3
129270-92690	46	4
129290-22000	13	7 -1
129301-03660	8	14
129301-34830	5	7
129400-77501	9	17
129403-49050	20	11
129407-35300	14	34
129410-03990	8	15
129468-53000	27	2
	47	20
	48	19
129470-07230	7	45
129470-11080	7	14
129470-11090	7	15
129470-11920	27	13
129470-12210	9	5
129470-13541	10	15
129470-42001	17	1
129470-42002	17	1 -1
129470-42050	17	3
129470-42310	17	4
129470-44440	18	14 -1
129470-44450	18	9 -1
129470-49050	10	16
129470-49220	20	3
129470-49240	20	4
129470-49250	20	5
129470-49260	20	6
129470-49540	17	14
129470-49801	17	16
	47	18
	48	17
129470-49810	17	17
	47	19
	48	18
129470-51060	24	7
129470-51080	24	8
129470-51101	24	10
129470-55601	29	1
129470-55701	29	3

Parts No.	Fig. No.	Ref. No.
129470-55701	47	23
	48	22
129470-59120	29	9
		10
129470-59121	29	9 -1
129470-59122	29	9 -2
129470-59530	29	19
129470-59540	29	20
129470-59541	29	20 -1
129470-59542	29	20 -2
129470-59560	29	22
129470-59561	29	22 -1
129470-59562	29	22 -2
129470-61650	25	42
129470-67200	31	19
129470-67320	31	9
129470-67550	31	36
129470-67560	31	38
129470-77590	9	15
129470-77971	31	10
129470-86500	31	40
129470-91160	41	16
129470-91161	41	16 -1
	42	16
129470-91180	41	2
	42	2
129470-91190	40	5
	41	18
	42	18
	43	16
	44	7
129470-91191	45	3
129470-92300	46	9
129470-92310	46	10
129470-92320	46	11
129472-13560	10	18
129472-18090	10	2
	47	6
	48	6
129473-61801	25	43
129474-49010	19	11
129475-49020	19	4
129475-49040	19	9
129486-01670	3	9
129486-51060	24	7 -1
129486-61200	25	10 A-1
129486-61201	25	10 A-2
129490-49070	19	13
		15
129490-77910	38	12

Parts No. Index

Parts No.	Fig. No.	Ref. No.
129495-59300	29	18
129495-59552	29	21 -1
129495-59553	29	21 -2
129495-77330	36	8
129495-91010	40	2
129499-61440	25	22
129500-61501	25	33
129550-42350	17	21
129570-12300	9	8
129570-59120	29	10 -1
129570-59121	29	10 -2
129570-61500	25	33 -1
129570-77920	39	10
129570-77960	38	18
129570-91320	39	17
	48	23
129570-91850	43	33
129573-25900	24	78
129573-51330	24	29
129573-51340	24	30
129573-51370	24	33
129573-77951	38	13
	39	11
129573-77960	38	14
	39	12
129574-77710	38	27
129574-77720	38	28
129574-77740	38	31
129574-77860	38	26
	40	12
	41	19
129574-77980	38	23
129574-91210	44	5
	45	5
129574-91220	44	6
129574-91221	44	6 -1
129574-91222	45	6
129574-91410	43	9
	44	12
129574-91420	43	20
	44	22
	45	9
129574-91430	44	25
	45	10
129574-91440	44	28
	45	12
129574-91560	38	21
129574-91561	38	21 -1
129574-91570	38	22
129574-91620	43	19

Parts No.	Fig. No.	Ref. No.
129574-91620	44	21
	45	15
129574-91630	44	24
	45	16
129574-91640	44	27
	45	17
129574-91650	43	29
	44	34
	45	19
129574-91710	43	26
	44	31
	45	20
129574-91720	43	21
	44	23
	45	21
129574-91730	44	26
	45	22
129574-91740	44	29
	45	23
129574-91750	43	27
	44	32
	45	24
129574-91760	43	38
	44	42
	45	25
129574-91770	43	28
	44	33
	45	26
129574-91780	43	14
	44	17
129574-91790	43	15
	44	18
129574-91870	43	3
	44	3
	45	30
129574-91890	45	31
129590-59200	39	1
129590-67310	31	1
129595-61201	25	10 -2
129612-77710	36	3
129670-01500	2	1
129670-01600	3	2
129670-08100	4	11
129670-08110	4	2
129670-08120	4	3
129670-08130	4	4
129670-08340	4	9
129670-08350	4	12
129670-13560	10	1
129670-22000	13	1

Parts No.	Fig. No.	Ref. No.
129670-22090	13	22
129670-32000	14	1
129670-34800	5	6
129670-42500	16	1
129670-42501	16	1 -1
129670-42510	16	1 -2
129670-42520	16	6
	47	14
	48	13
129670-42530	16	3
	47	15
	48	14
129670-42540	16	5
	47	16
	48	15
129670-42550	16	7
129670-42560	16	11
129670-42570	16	20
129670-42580	16	17
129670-42700	16	21
129670-44410	18	14
129670-44420	18	9
129670-44570	18	31
129670-44600	18	10
129670-49010	19	3
129670-49110	19	3 -1
129670-49150	19	9 -1
129670-49290	19	1 -1
	20	1 -1
129670-49500	10	13 -1
	19	6 -1
		10 -1
		14 -1
		17 -1
	20	7 -1
	21	13 -1
129670-51300	24	26
129670-77200	35	1
129670-77340	36	9
129670-77990	42	19
129670-81850	12	20 -1
129670-85900	33	5
129670-91110	40	1
129670-91130	43	1
129670-91160	44	1
129670-91161	44	1 -1
		1 -2
129670-91162	45	1
129670-91200	40	11
129673-49220	20	2 -2

Parts No.	Fig. No.	Ref. No.
129673-49230	20	4 -1
129690-02800	1	15 -1
129690-02870	1	23 -1
129690-22510	13	9 -1
129695-77370	36	10
129695-77380	36	11
129698-77010	34	1
129698-77020	34	2 -1
129698-77100	34	3
129698-77110	34	4
129698-77120	34	5
129698-77130	34	6
129698-77140	34	7
129698-77150	34	8
129698-77160	34	9
129698-77161	34	9 -1
129698-77180	34	10
129698-77190	34	11
129698-77200	34	12
129698-77210	34	13
129698-77220	34	14
129698-77230	34	15
129698-77240	34	16
129698-77250	34	17
129698-77260	34	18
129698-77270	34	20
129698-77280	34	21
129772-77200	35	1 -1
		1 -2
129772-77250	36	16
129772-77260	36	17
129772-77270	36	18
129772-77280	36	19
	37	26
129795-01780	3	8
129795-01800	2	5
129795-01950	2	8
129795-02411	1	9
129795-11120	7	17
129795-11180	7	19
129795-21661	12	12
129795-48800	21	1
129795-49551	17	15
	47	17
	48	16
129900-07900	7	43
135210-61090	25	72
138603-59380	30	4
144626-91560	38	19
144626-91570	38	20

Parts No. Index

Parts No.	Fig. No.	Ref. No.
157854-04300	41	17
	42	17
171051-01921	1	5
171078-66551	31	6
171087-42280	17	7
	47	13
	48	12
174307-51170	24	14
174307-51700	25	34
177070-03520	12	16
177073-03191	12	20
177088-02430	6	5
177099-03500	12	18
194555-55820	41	15
	42	15
194555-62750	39	2
196630-12980	6	12
198451-78680	43	37
	44	43
	45	2
22117-040000	25	51
22117-080000	31	12
22137-080000	36	12
	38	4
	39	6
22137-100000	36	13
22190-060003	25	52
		53
22190-080002	2	10
		11
	15	8
	29	33 -1
22190-100002	25	54
22190-120002	25	55
	29	14 -1
		34 -1
22190-140002	5	11
	29	35 -1
22190-160002	24	61
22217-050000	24	62
	31	24
22217-060000	24	63
	31	13
	38	25
	39	22
22217-080000	5	12
	12	21
	17	23
	31	25
	38	5

Parts No.	Fig. No.	Ref. No.
22217-080000	39	7
22217-100000	5	13
22217-120000	24	72
		79
22242-000100	31	23
22252-000260	13	14
22272-000040	25	56
22287-120000	25	57
22351-030016	25	58
22351-050010	24	64
22351-060012	7	24
22360-080000	31	14
22372-040000	25	59
22414-250150	31	2
		26
22453-060000	25	73
22512-070140	11	7
	12	5
22512-070160	12	14
22724-800380	34	27
23000-013000	29	17 -2
23000-016000	29	13 -2
		17 -1
		32 -2
23000-019000	29	13 -1
		32 -1
23000-022000	20	12
23000-035000	10	13
	19	6
		10
		14
		17
23000-041000	20	7
	21	13
23000-054000	9	9
23000-070000	9	12
23010-013000	18	32
23010-014000	30	5
23061-070300	19	7
23061-120300	18	18
23072-101000	21	12
23080-013000	18	19
	29	13
		32
23414-080000	29	33
	31	27
23414-100000	14	29
	15	9
23414-120000	29	14
		34

Parts No.	Fig. No.	Ref. No.
23414-120016	25	76
23414-140000	29	35
23414-170000	18	6 F
		20
23851-080000	5	14
23857-060000	29	15
23871-010000	38	11
23875-030000	17	5 -1
23876-010000	1	10
	9	7
	39	19
23876-020000	7	9
23876-030000	7	10
	17	9
23881-100002	14	30
23887-100002	25	60
23894-030002	18	6 G
		21
24311-000060	21	11
24311-000120	8	12
		28
24311-000150	25	78
24311-000160	2	12
	14	25
	25	78 -1
24311-000320	2	13
	8	30
		32
24311-240100	25	61
24321-000750	18	22 -1
24321-000800	18	22
24341-000160	24	65
24341-000240	2	23
24341-000500	8	9
		25
25132-004500	17	7 -1
26013-080142	12	19
26022-050102	24	66
	25	62
26022-050122	24	66 -1
26022-060162	24	67
26023-050102	25	63
26106-060082	38	15 -1
	39	13 -1
26106-060102	17	10
	25	40
		64
	31	15
	38	15
	39	13

Parts No.	Fig. No.	Ref. No.
26106-060162	2	24
26106-060202	25	65
	31	16
26106-080102	29	36
26106-080122	2	14
	31	17
26106-080142	11	8
26106-080162	2	15
		16
	5	3
		15
	7	44
		46
	8	10
		26
	12	17
		22
	16	23
		26
	18	23
	19	8
	31	37
	38	6
26106-080202	32	7
	39	8
26106-080252	5	4
	7	41
	9	3
	14	26
	17	18
	18	24
	31	29
	36	14
26106-080352	3	10
	9	4
	14	21
	17	19
26106-080402	9	16
26106-080452	2	17
	5	5
	11	14
26106-080502	7	42
26106-080552	2	18
	17	11
		12
		13
26106-080652	36	15
26106-080852	2	19
26106-081002	18	25
26106-100162	38	16

Parts No. Index

Parts No.	Fig. No.	Ref. No.
26106-100162	39	14
26106-100202	4	5
26106-100222	4	5 -1
	5	16 -1
26106-100252	5	16
26106-100302	4	6
		7
26106-100322	33	6
		11
		14
26116-050142	31	3
26116-050302	24	68
26116-080302	21	14
26116-120252	4	8 -1
26116-120302	4	8
	34	25
26116-120352	31	28
26206-100252	3	3
26206-100302	3	4
26216-060202	7	11
26216-080182	2	20
26216-081002	18	26
26216-100452	29	5
26226-080182	7	37
26306-080002	2	21
	5	17
	16	24
		27
	18	27
	31	30
	32	8
26306-100002	29	6
26366-060002	7	25
26366-080002	25	66
26450-060252	14	15
26450-080282	33	15
26450-080352	7	47
26557-050122	31	31
26664-080002	21	7
26703-080002	10	3
		14
		19
	21	15
26706-100002	33	7
		12
		16
26716-050002	31	32
26716-060002	24	69
26716-080002	39	9
26716-100002	29	7

Parts No.	Fig. No.	Ref. No.
26716-120002	24	73
		80
	46	12
26736-120002	25	69 -1
26756-050002	31	4
26756-060002	25	67
		68
26756-080002	33	8
26776-120002	25	69
		70
27225-100140	1	14
27231-500000	1	11
27233-250000	10	9
27241-120000	1	12
27241-220000	7	12
27241-280000	18	6
		6 -1
27241-300000	1	13
27241-400000	7	13
	18	6 D
27310-080001	7	20
41701-001720	31	33
41710-000380	31	39
41710-000410	31	34
41730-000681	31	41
43530-500570	19	18
43662-025030	19	19
43720-001220	14	37
46150-003610	41	11
	42	11
46150-003620	41	12
	42	12
48110-025063	33	1
48110-028063	33	2
48110-032411	33	9
48110-032502	33	3
711100-51540	24	20
729132-11521	8	1 -2
729202-11710	7	1
729270-01560	1	1
729270-11710	7	1 A
729270-51300	24	1
729270-51450	24	1 A
729270-53100	27	15
729270-92500	47	1
729270-92520	48	1
729402-11650	7	33
729402-23100	13	15
729499-54100	26	19
729670-53100	27	1

Parts No.	Fig. No.	Ref. No.
729690-22540	13	24 -1
		30 -1
83213-003012	30	7
977780-01200	23	1
977780-01210	22	1
977780-01230	22	2
	23	2
977780-01240	23	3
977780-01250	22	3
977780-03000	22	9
	23	9
X0044021509	22	7
	23	7
X01357681	16	18
X0146531	16	4
X0504550	16	8
X0505526	16	13
X0506590	16	9
X0508129	16	10
X0519503	16	12
X0529105	16	14
X0529530	16	15
X0534130	16	19
X053421	16	16
X179100011X	23	5
X179100021X	22	5
X179100100X	22	6
	23	6
X199903800X	22	8
	23	8
X2114535200	34	19
X6203BM	35	16
X6303BM0000	37	18
X8636008003	22	4
	23	4
XL12013262	35	9
XL13513134	35	12
XL15014042	35	15
XL15018015	35	18
XL1501810	35	19
XL15028001	35	20
XL150M14041	37	17
XL15542001	35	4
XL15571001	35	2
XL155G1315	35	7
XL155G1330	37	8
XL155G6300	35	5
XL180120000	37	4
XL1808320	37	13
XL180G13012	37	6

Parts No.	Fig. No.	Ref. No.
XL180G43150	37	7
XL180G61000	37	2
XL180G63006	37	5
XL180G85001	37	22
XL2253320	35	13
XL2253400	35	14
XL225431800	37	11
XL22553012	35	6
XL2255330	35	8
XL225G1325	37	9
XL225G6500	35	17
XL235340110	37	16
XL2554318	35	11
XTR1Z63	35	10
XTST25S001	21	2
XTST25S002	21	3
XTST25S003	21	4
XTST25S004	21	5
XTST25S005	21	6
XTST25S007	21	8
XTST25S008	21	9
XTST25S009	21	10