

**VOLVO
PENTA**

THE POWER TO MOVE YOU

Meet the Next Generation of Gasoline Engines



Cobalt R30



Regal 2000 ES

**FOR A COMPANY BUILT
ON INNOVATION, STAYING
IDLE IS NOT AN OPTION**



**Meet the result of more than a century of
Volvo Penta marine innovation.**

Every technological advancement along the way. Every tweak. Every new model. Every sentence that started with "What if..." It's all been done with one sole focus in mind: adding more excitement and more enjoyment to your time on the water. The newest generation of Volvo Penta sterndrive engines has been engineered for technical superiority and designed with fun in mind.

See what happens when engineering and excitement come together.





MOVE AND BE MOVED

The technology that goes into Volvo Penta's newest generation of V6 and V8 gas engines is meant to move you. But we don't need you to notice the performance upgrades or the improved fuel economy. We'd rather you notice the smiles on your family's faces. Or the way the wind whips your hair at wide-open throttle. Or the sound of your wake lapping against the shoreline at dusk.

Here's how Volvo Penta is moving you.

- A common-rail direct fuel injection system gives you **better fuel economy and lower emissions**, replacing the time you spend at the gas pump with more time on the water.
- Get onto plane quicker with variable valve timing. **Improved torque and quicker acceleration** mean watersports are more exciting than ever before.
- A closed-loop freshwater cooling system ensures your engine stays **cool and corrosion-free**, even in salt water.
- Tow wakeboarders, not extra weight. With a lightweight, aluminum block construction, the engines in our newest generation lineup are **up to 124 lbs. lighter* than a previous cast-iron model** of the same horsepower rating.
- Drive confidently knowing that **wideband oxygen sensors are optimizing engine performance**, even when fuel quality varies.



Chaparral 226 SSi

OUR V6 FAMILY OF ENGINES

Better performance. Improved MPG.

Meet the next generation. Featuring a new lightweight aluminum construction, every engine in the Volvo Penta V6 lineup delivers an exceptional power-to-weight ratio. From quick, responsive torque to powerful, efficient, wide-open speed, this next generation is built to move.

Engine Model	Top Speed*	0-30 MPH	Fuel Consumption*	Weight Differential*
V6-200	+1.2 MPH	26% quicker	+10% MPG	-28 lbs
V6-240	+1.3 MPH	31% quicker	+10% MPG	-41 lbs
V6-280	+0.5 MPH	15% quicker	+8% MPG	-124 lbs [‡]

*stats are calculated versus comparable previous generation models

‡stat calculated using the C version



Monterey 224FSC

THE V8 SERIES

More power. Less fuel.

Meaner engines in leaner packages. That's the stuff engineers dream about. The new generation of lightweight aluminum V8 engines from Volvo Penta delivers increased power with a decreased appetite. We're making every ounce count.

Engine Model	Top Speed*	0-30 MPH	Fuel Consumption*	Weight Differential*
V8-300	+1.5 MPH	21% quicker	+8% MPG	-19 lbs [‡]
V8-350	+0.3 MPH	7% quicker	+8% MPG	-124 lbs [‡]
V8-380	+0.9 MPH	24% quicker	+11% MPG	-109 lbs [‡]
V8-430	— [†]	14% quicker	+10% MPG	-109 lbs [‡]

*stats are calculated versus comparable previous generation models

†no change in top speed

‡stat calculated using the C version



Four Winns H200

SERVICE SIMPLIFIED

We boat too. We know service takes away from time on the water.

That's why our mission is to provide a convenient service experience and get you back onto the water as soon as possible. Volvo Penta engines now feature longer intervals between scheduled service than ever before.

Should an issue arise, we have technicians standing by with immediate answers. Volvo Penta engines worldwide are supported by Volvo Penta Action Service, a 24-hour phone help service.

FIVE YEARS OF PROTECTION



Enjoying yourself on the water starts with peace of mind.

We provide our North American customers with peace of mind through the Volvo Penta 5-Year Factory Protection Program, a comprehensive program administered entirely by Volvo Penta throughout the duration of the warranty.

- **NON-DECLINING COVERAGE** — The coverage you receive in Year 5 is the same as Year 1.
- **SOLE ADMINISTRATOR** — No third parties. Coverage is provided only through Volvo Penta. One phone number, one company, for the life of your warranty.
- **NO FEES** — No deductible. No transfer fee. No activation fee. No hidden costs.
- **HASSLE-FREE ACTIVATION** — The moment you warranty register your engine, you're automatically covered for up to five years.

A WORLDWIDE DEALER NETWORK

Highly trained Volvo Penta dealers. Available when and where you need them.

With an extensive dealer network in 130 countries, you're never too far from one of our skilled technicians. Thoroughly trained in Volvo Penta technologies, our dealers offer premium services using genuine Volvo Penta parts. Parts purchased at authorized Volvo Penta dealers are covered by a 24-month warranty, and Volvo Penta covers any labor costs.

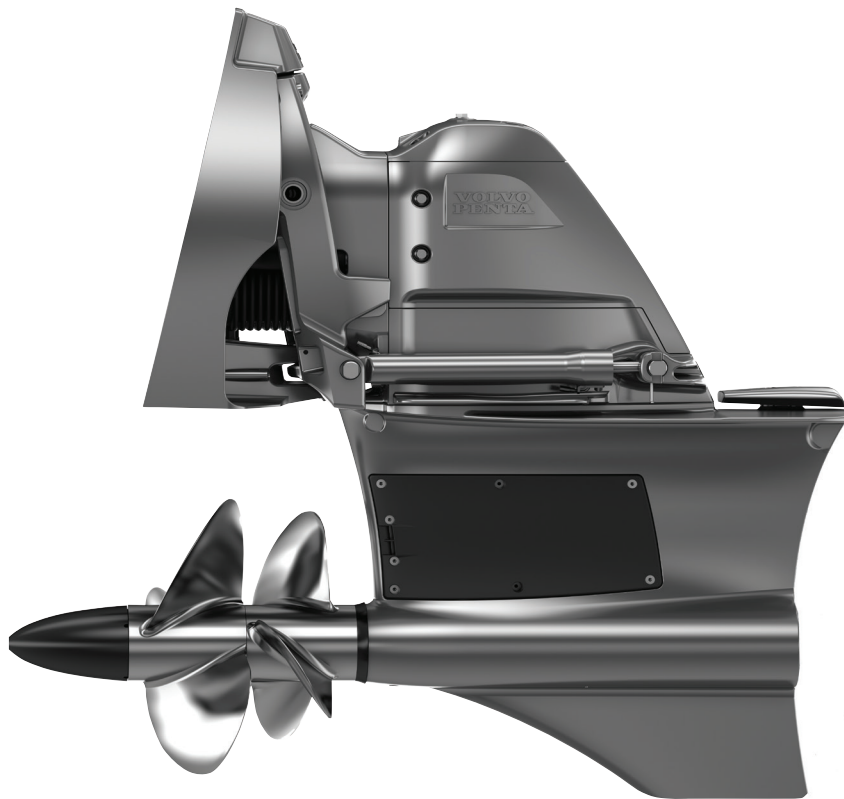
Boaters have awarded Volvo Penta with **13 consecutive NMMA CSI Awards**, the only gasoline sterndrive manufacturer to be so honored. It's proof of our commitment to our customers.



DRIVE SYSTEMS BUILT TO MOVE

Assemble your own dream team.

The marriage of a Volvo Penta engine with one of our premium drive systems creates a propulsion system unlike any other. These four options can perfectly tailor your boating experience to the needs of you and your family.



FORWARD DRIVE

Uniquely located DuoProp blades gain traction from undisturbed water, creating efficient power. The forward-facing props also help boats create steep, uniform wakes, perfect for watersports.



SX

Designed for fun. A wider rudder and hydrodynamic lower housing give drivers better handling at any RPM. Lightweight design also features advanced, durable transmission.



DPS

Built for performance and fun. The DPS is the ideal dual-prop companion to sportier boats and drivers. Improved hydrodynamics provide superior speed and performance without added weight.



OCEANX

Engineered for saltwater boats, the OceanX features a revolutionary titanium-ceramic coating, making it up to four times more corrosion-resistant. Only available in select markets.

Gasoline Marine Engines

Engines	Crankshaft kW/hp	Max rpm	Displacement liters	No. of cylinders	Fuel injection	Electronic management	Electronic shift/throttle	Freshwater cooling	Alternator 12V	Drive	Propellers
V6-200	149/200	5800	4.3	V6	DI	EGC	-	●	75A	SX/DPS	AL, SS
V6-240	179/240	5800	4.3	V6	DI	EGC	-	●	75A	SX/DPS/OX	AL, SS
V6-280	209/280	5800	4.3	V6	DI	EGC	-	●	75A	SX/DPS/OX	AL, SS

Engines with catalytic converter

V6-200-C	149/200	5800	4.3	V6	DI	EGC	-	●	75A	SX/DPS	AL, SS
V6-240-C	179/240	5800	4.3	V6	DI	EGC/EVC	○	●	75A	SX/DPS/OX/FWD	AL, SS
V6-280-C	209/280	5800	4.3	V6	DI	EGC/EVC	○	●	75A	SX/DPS/OX/FWD	AL, SS
V8-300-C	224/300	5800	5.3	V8	DI	EGC/EVC	○	●	75A	SX/DPS/OX/FWD	AL, SS
V8-350-C	261/350	5800	5.3	V8	DI	EGC/EVC	○	●	75A	DPS/OX/FWD	SS
V8-380-C	283/380	6000	6.2	V8	DI	EGC/EVC	○	●	75A	DPS/OX/FWD	SS
V8-430-C	321/430	6000	6.2	V8	DI	EGC/EVC	○	●	75A	DPS/OX/FWD	SS

● Standard ○ Standard or optional depending on market - Not available
Check with your local Volvo Penta representative.

Abbreviations explained:

Fuel injection

DI: Direct injection

MPI: Multi-port electronic fuel injection

Electronic management

EVC: Electronic Vessel Control

EGC: Electronic Gas Control

Propellers

AL: Aluminum

SS: Stainless steel

Drive

SX: Single propeller. For gasoline engines and D3. Small transom cut-out.

DPS: DuoProp. For gasoline engines and D3. Small transom cut-out.

OX: OceanX. Includes exhaust manifolds, water-in-bellows sensor and drive oil quality sensor.

FWD: Forward Drive. Forward-facing, DuoProp. For gasoline engines only.

**VOLVO
PENTA**

www.volvopentanextgeneration.com