

XDP

VOLVO PENTA

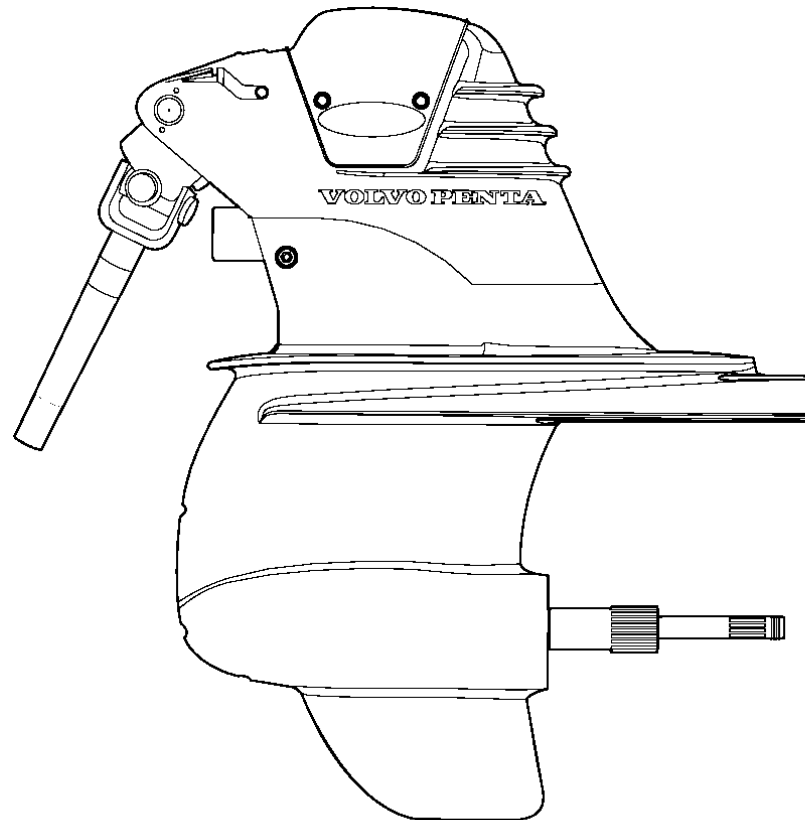


www.repuestoselnevegante.com

El Navegante

XDP-B

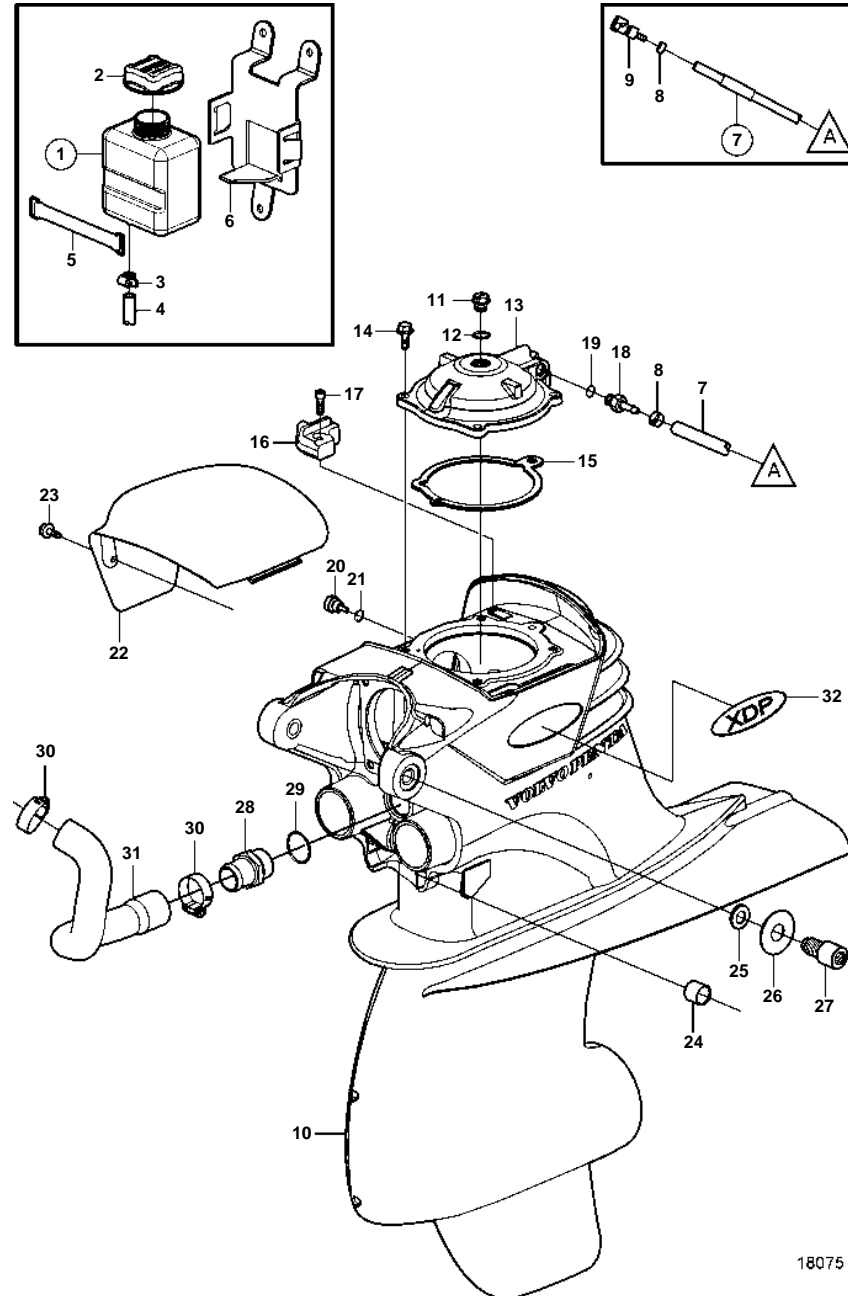
①



XDP-B

REF	PART NO.	QTY	DESCRIPTION	NOTES
1	3869153	X	Drive	XDP-B, 1.78:1
	3869152	X	Drive	XDP-B, 1.96:1
	3869299	X	Drive	XDP-B, 2.11:1
	3869151	X	Drive	XDP-B, 2.32:1

XDP-B

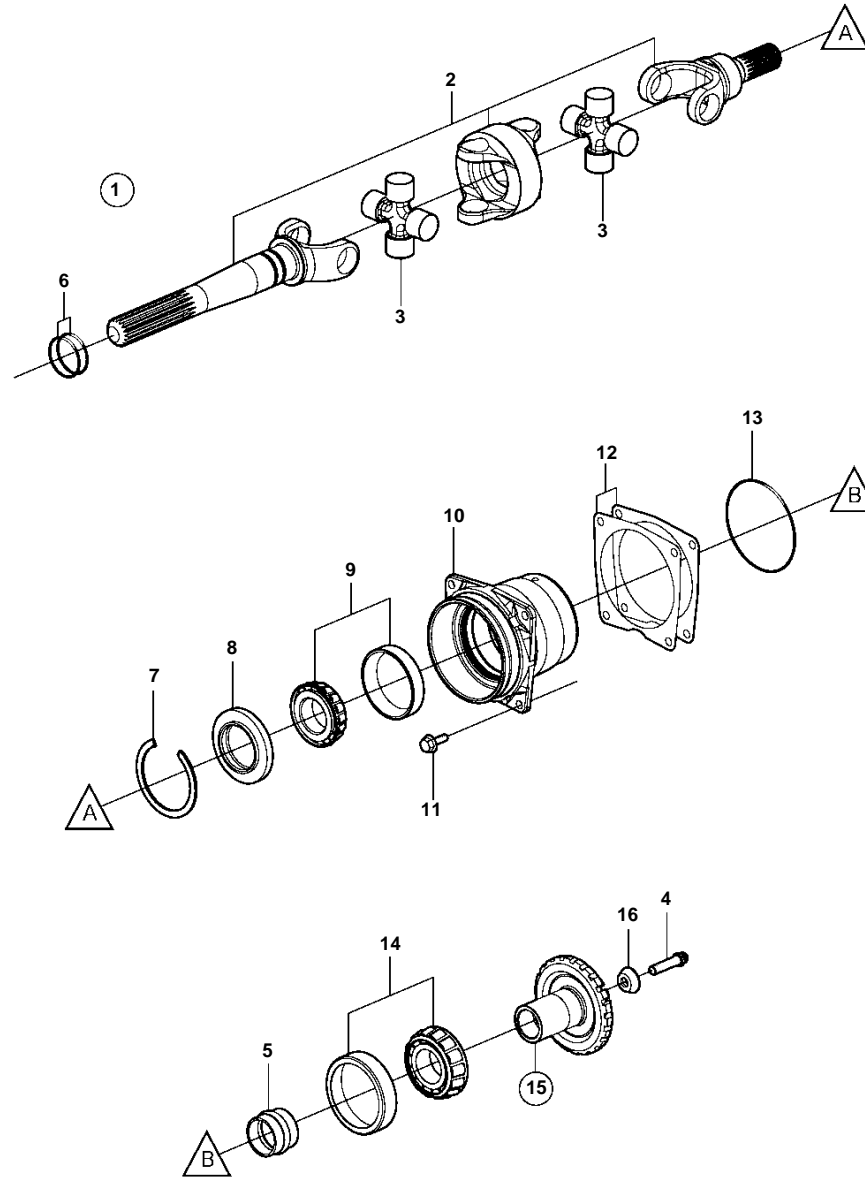


18075

XDP-B

REF	PART NO.	QTY	DESCRIPTION	SEE SEC.	NOTES
1	3862175	1	Oil reservoir		
2	3862109	1	• Cap		
3	3860413	1	Clamp		
4	3862289	1	Oil line	4595	
5	3862111	1	Strap		
6		1	Bracket		MOUNTED ON ENGINE. See catalog for engine.
	3809535	1	Bracket		MOUNTED ON TRANSOM
7	3862290	1	Oil line		
8	982713	2	• Clamp		
9	3862116	1	• Fitting		
10	3862077	1	Housing		
11	3861510	1	Plug		
12	3852045	1	O-ring		
13	3862106	1	Cover		
14	982285	4	Flange screw		
15	3862105	2	Gasket		
16	3861636	1	Anode		
	3861633	X	Magnesium anode		
17	963684	1	Screw		
18	3862166	1	Fitting		
19	190187	1	O-ring		
20	3854539	1	Plug		
21	3855081	1	• O-ring		
22	3860414	1	Cover		
23	982283	2	Flange screw		
24	3862139	2	Bushing		
25	982328	2	Washer		
26	3860430	2	Wear washer		
27	3861797	2	Shoulder screw		
28	3862075	1	Fitting		
29	949974	1	O-ring		
30	3852602	2	Clamp		
31	3862068	1	Hose		
32	3861691	2	Decal		XDP

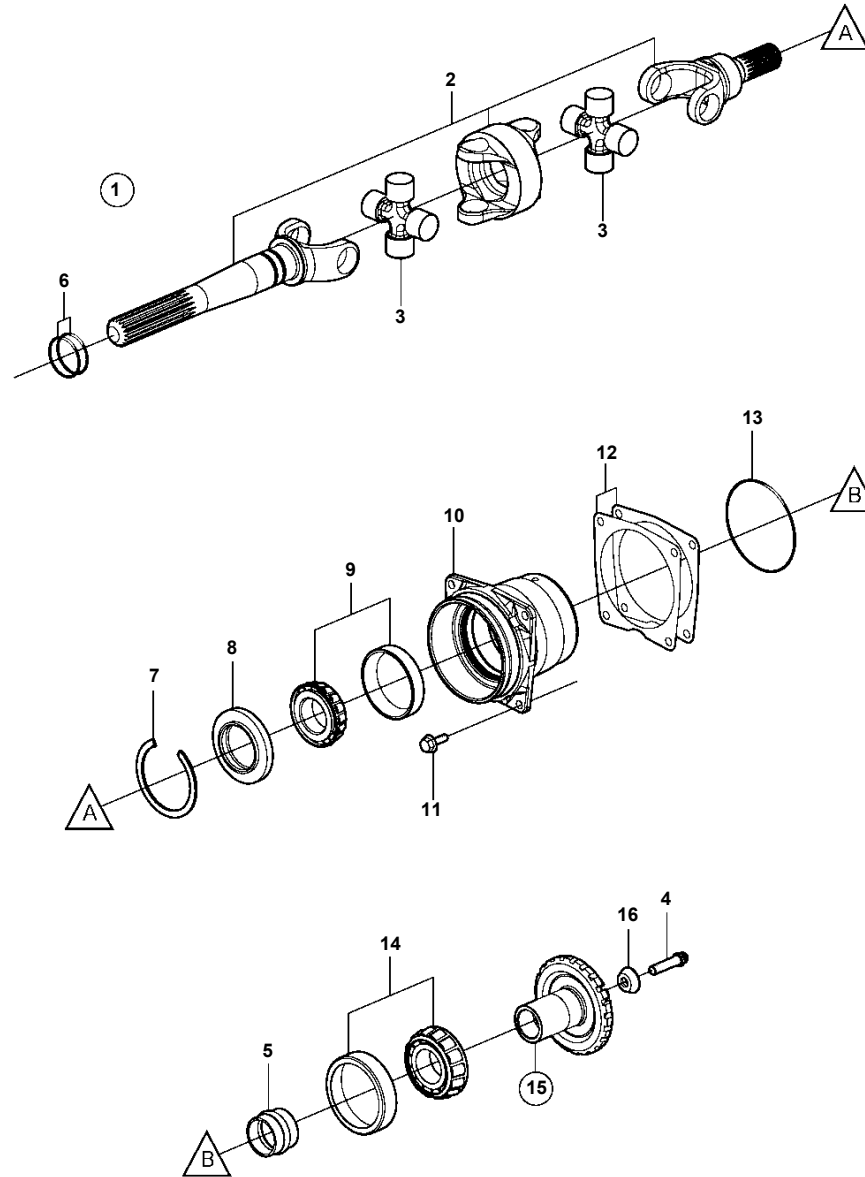
XDP-B



XDP-B

REF	PART NO.	QTY	DESCRIPTION	SEE SEC.	NOTES
1	3860842	1	Universal joint		
			Bulletin P-44-1-5	P-44-1-5-EN	U-joints
2		1	· Universal joint		NOT SERVICED
3		2	· · Spider		NOT SERVICED
4	3860364	1	· Screw		
5	3852304	1	· Sleeve		
6	3852565	2	O-ring		
7	914538	1	Lock ring		
8	3852272	1	Seal		
9	3850853	1	Bearing		
10	3860191	1	Bearing carrier		
11	982285	4	Flange screw		
12	3860274	X	Shim		TH = 0.08mm
	3860594	X	Shim		TH = 0.10mm
	3860595	X	Shim		TH = 0.13mm
	3860596	X	Shim		TH = 0.25mm
13	925095	1	O-ring		
14	3850852	1	Bearing		
15	3856996	1	Gear set	4596	2.32, 2.11
	3851203	1	Gear set		1.96, 1.78
16	853026	1	Washer		

XDP-B

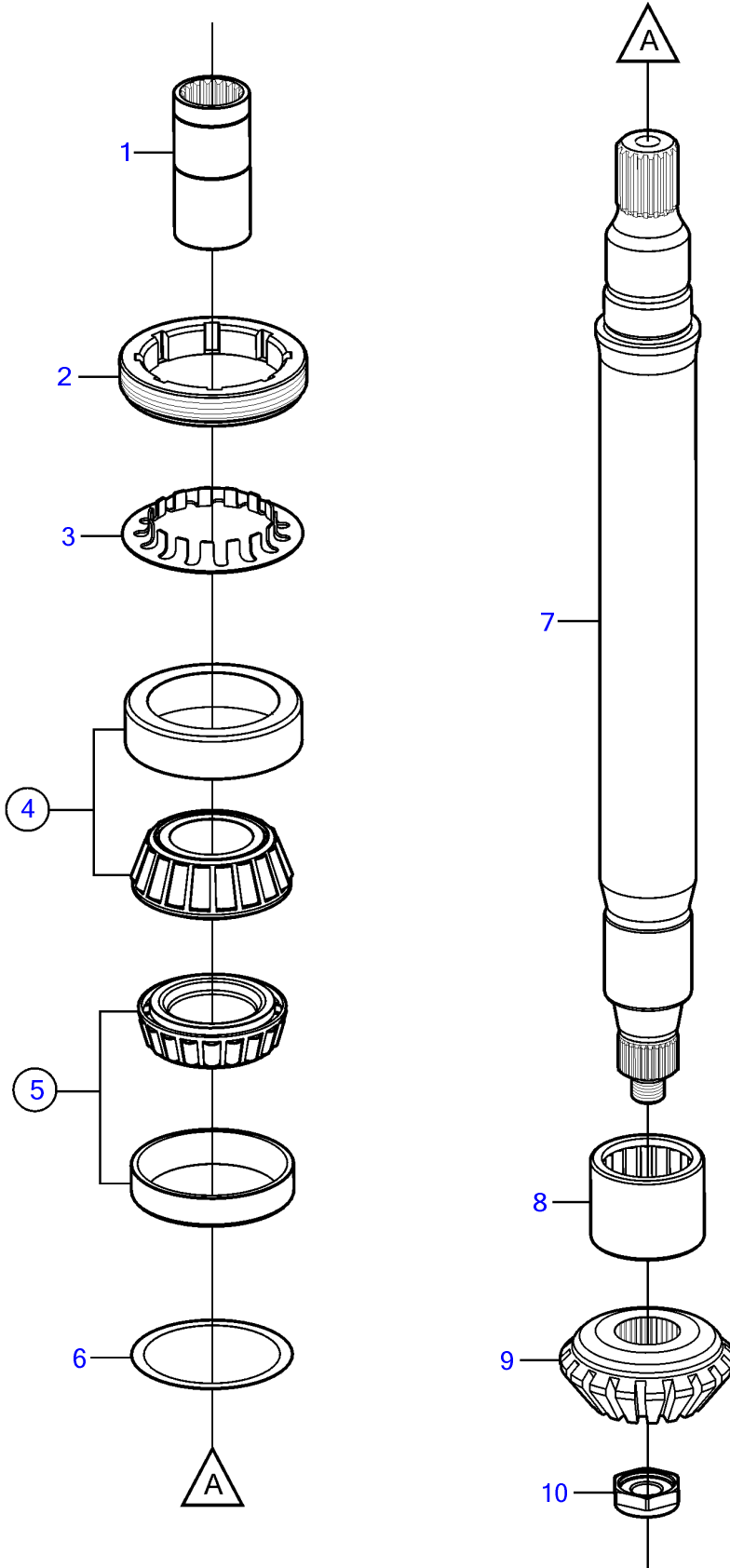


18098

XDP-B

REF	PART NO.	QTY	DESCRIPTION	SEE SEC.	NOTES
1	3860842	1	Universal joint		
			Bulletin P-44-1-5	P-44-1-5-EN	U-joints
2		1	· Universal joint		NOT SERVICED
3		2	· · Spider		NOT SERVICED
4	3860364	1	· Screw		
5	3852304	1	· Sleeve		
6	3852565	2	O-ring		
7	914538	1	Lock ring		
8	3852272	1	Seal		
9	3850853	1	Bearing		
10	3860191	1	Bearing carrier		
11	982285	4	Flange screw		
12	3860274	X	Shim		TH = 0.08mm
	3860594	X	Shim		TH = 0.10mm
	3860595	X	Shim		TH = 0.13mm
	3860596	X	Shim		TH = 0.25mm
13	925095	1	O-ring		
14	3850852	1	Bearing		
15	3856996	1	Gear set	4596	2.32, 2.11
	3851203	1	Gear set		1.96, 1.78
16	853026	1	Washer		

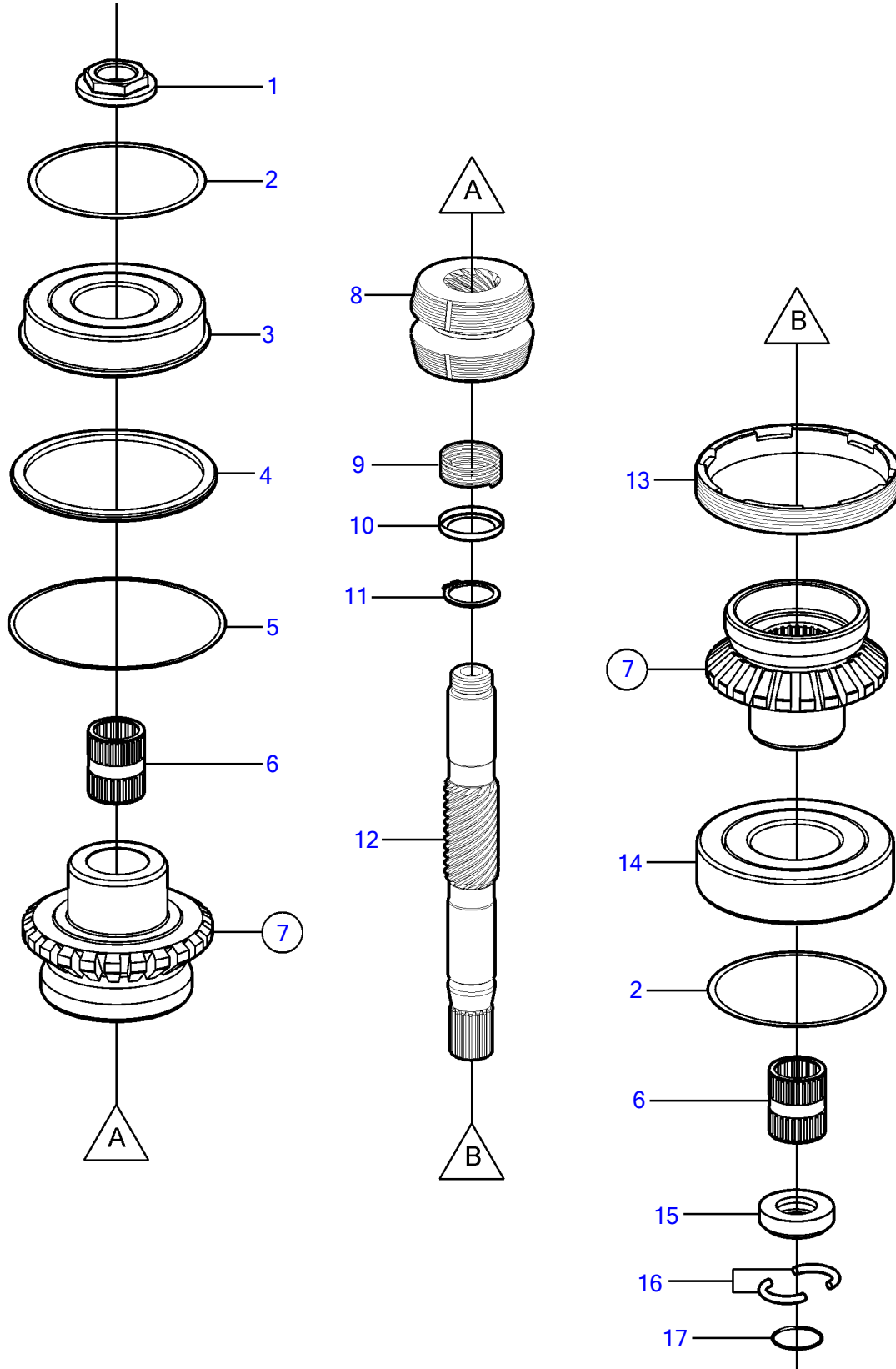
XDP-B



XDP-B

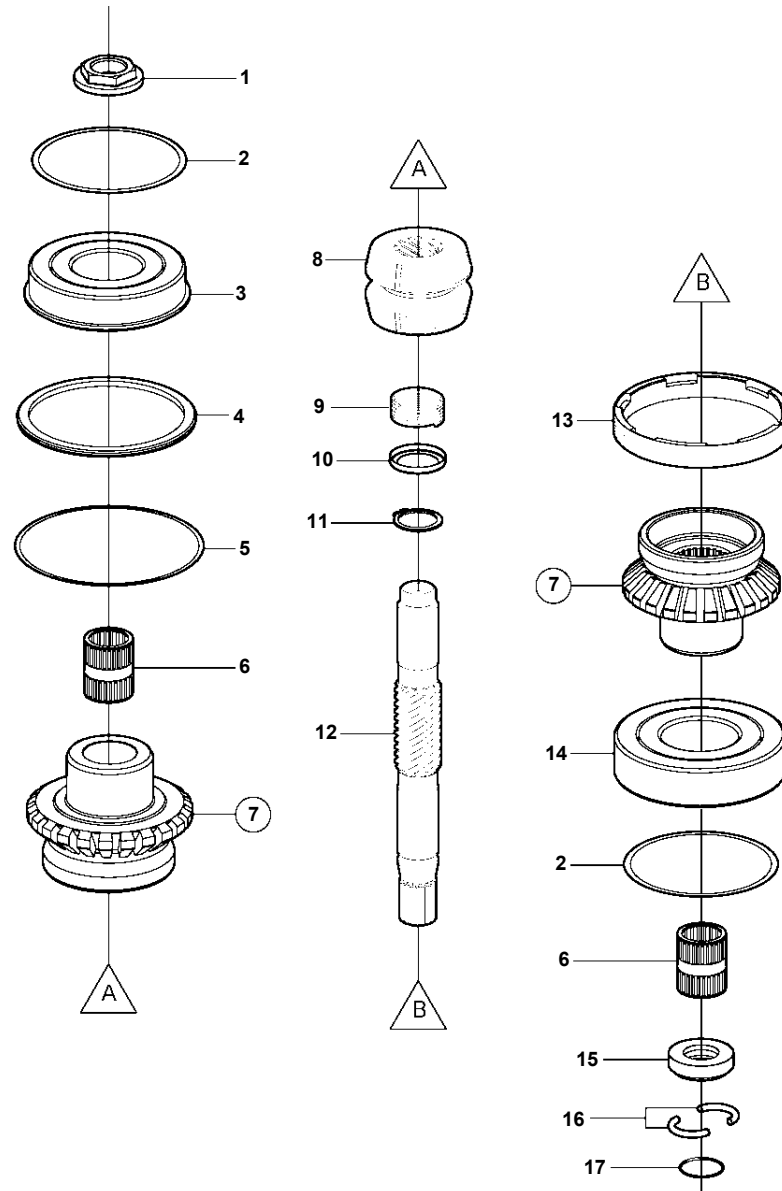
REF	PART NO.	QTY	DESCRIPTION	SEE SEC.	NOTES
1	3862085	1	Splined sleeve		
2	3862098	1	Nut		
3	3862076	1	Retainer		
4	3854250	1	Roller bearing		
5	3854249	1	Roller bearing		
6	3852889	X	Shim		TH=0.003"
	3852890	X	Shim		TH=0.004"
	3852891	X	Shim		TH=0.005"
	3852892	X	Shim		TH=0.010"
7	21149534	1	Shaft		
8	3860107	1	Bearing		
9	3860904	1	Gear set	4598	2.32, 1.96
	3861861	1	Gear set		2.11:1, 1.78:1
10	852212	1	Nut		

XDP-B



XDP-B

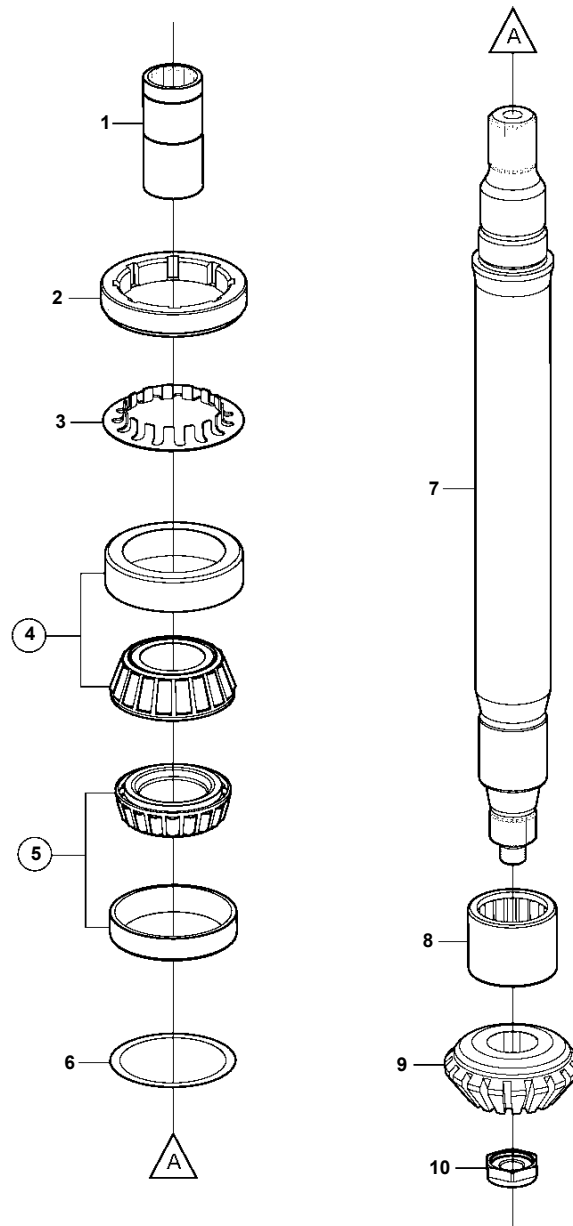
REF	PART NO.	QTY	DESCRIPTION	SEE SEC.	NOTES
1	3852301	1	Nut		TH=0.00
	3852302	1	Nut		TH=0.20mm
	3852303	1	Nut		TH=0.40mm
	3852375	1	Nut		TH=0.60mm
2	3860615	1	Shim		TH=0.05mm
	3860616	1	Shim		TH=0.08mm
	3860617	1	Shim		TH=0,10mm
	3860618	1	Shim		TH=0.13mm
	3860619	1	Shim		TH=0.25mm
3	181013	1	Ball bearing		
4	3860203	1	Ring		
5	3860637	1	Shim		TH=0.05mm
	3860638	1	Shim		TH=0.08mm
	3860639	1	Shim		TH=0,10mm
	3860640	1	Shim		TH=0.13mm
	3860641	1	Shim		TH=0.25mm
6	3852390	2	Bearing		
7	21130693	1	Kit	4624	2.32, 2.11
	21130692	1	Kit		1.96, 1.78
8	3807613	1	• Sliding sleeve		
9	3852296	1	Spring		Not used on later versions.
10	3852298	1	Spacer		Not used on later versions.
11	951078	1	Snap ring		Not used on later versions.
12	3852292	1	Shaft		
13	3860106	1	Ring		
14	11028	1	Ball bearing		
15	3860273	1	Spacer ring		
16	3852295	1	Locking clip		
17	949656	1	O-ring		



XDP-B

REF	PART NO.	QTY	DESCRIPTION	SEE SEC.	NOTES
1	3852301	X	Nut		TH = 0.00
	3852302	X	Nut		TH = 0.20mm
	3852303	X	Nut		TH = 0.40mm
	3852375	X	Nut		TH = 0.60mm
2	3860615	X	Shim		TH = 0.05mm
	3860616	X	Shim		TH = 0.08mm
	3860617	X	Shim		TH = 0.10mm
	3860618	X	Shim		TH = 0.13mm
	3860619	X	Shim		TH = 0.25mm
3	181013	1	Ball bearing		
4	3860203	1	Shim		
5	3860637	X	Shim		TH = 0.05mm
	3860638	X	Shim		TH = 0.08mm
	3860639	X	Shim		TH = 0.10mm
	3860640	X	Shim		TH = 0.13mm
	3860641	X	Shim		TH = 0.25mm
6	3852390	2	Needle bearing		
7	3856996	1	Gear set	4624	2.32, 2.11
	3851203	1	Gear set		1.96, 1.78
8	3855783	1	Sliding sleeve		
9	3852296	1	Spring		
10	3852298	1	Washer		
11	951078	1	Snap ring		
12	3852292	1	Shaft		
13	3860106	1	Retaining ring		
14	11028	1	Ball bearing		
15	3860273	1	Spacer ring		
16	3852295	1	Lock clip		
17	949656	1	O-ring		

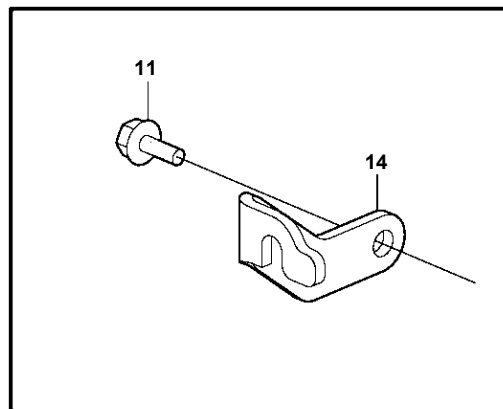
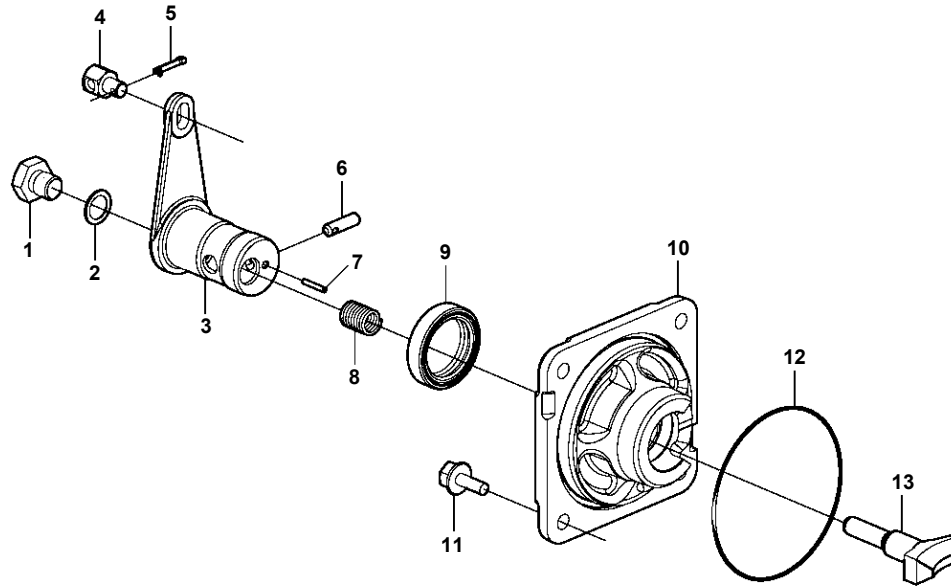
XDP-B



XDP-B

REF	PART NO.	QTY	DESCRIPTION	SEE SEC.	NOTES
1	3862085	1	Splined sleeve		
2	3862098	1	Nut		
3	3862076	1	Washer		
4	3854250	1	Bearing		
5	3854249	1	Bearing		
6	3852889	X	Shim		TH = 0.003"
	3852890	X	Shim		TH = 0.004"
	3852891	X	Shim		TH = 0.005"
	3852892	X	Shim		TH = 0.010"
7	3862084	1	Countershaft		
8	3860107	1	Bearing		
9	3860904	1	Gear set	4598	2.32, 1.96
	3861861	1	Gear set		2.11:1, 1.78:1
10	852212	1	Nut		

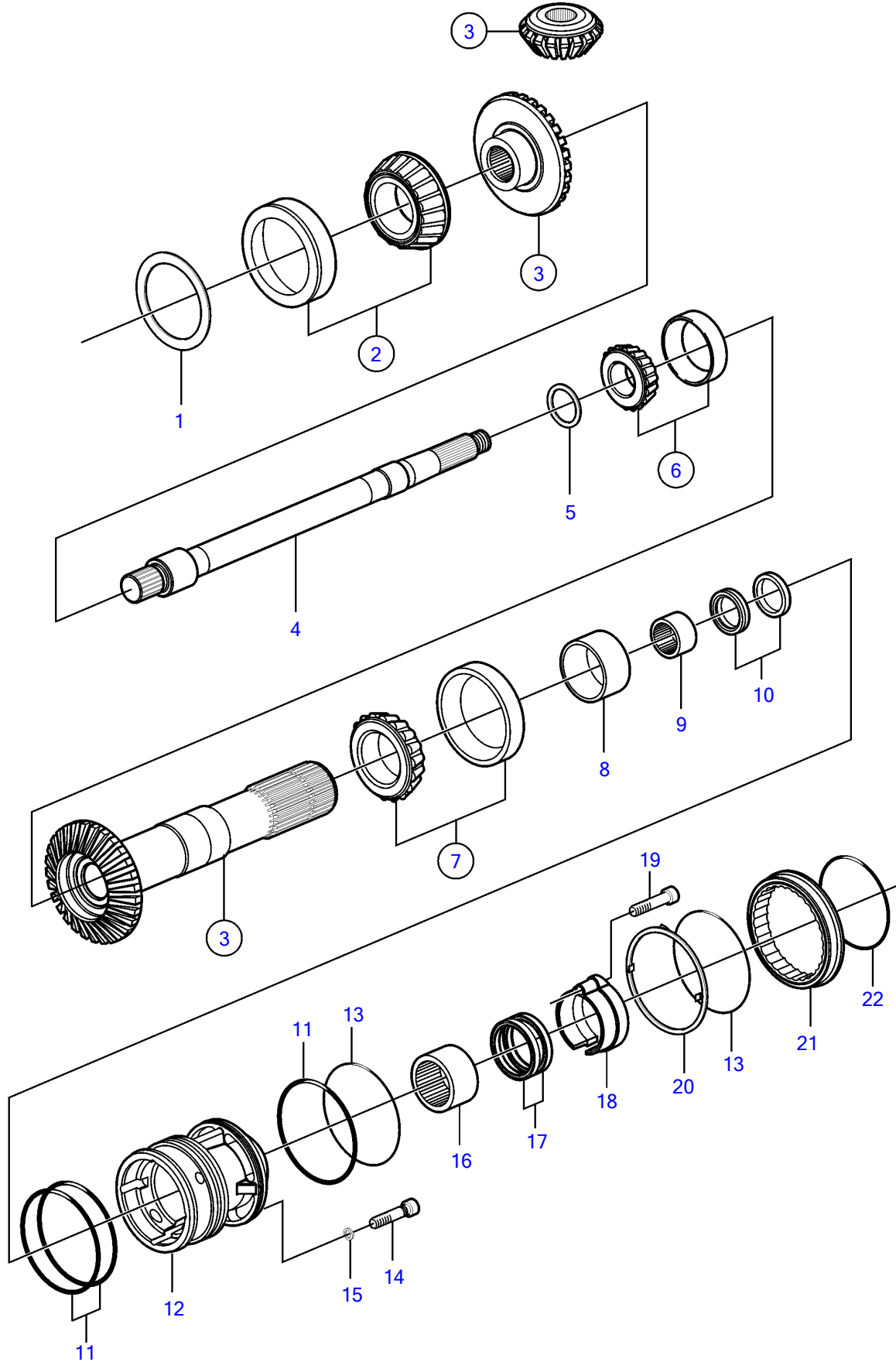
XDP-B



XDP-B

REF	PART NO.	QTY	DESCRIPTION
1	3860220	1	Screw
2	3860221	X	Shim
3	3860219	1	Eccentric
4	3852329	1	Cube
5	3854480	1	Cotter pin
6	942871	1	Pin
7	973593	1	Pin
8	814184	1	Spring
9	853868	1	Sealing ring
10	3860218	1	Bearing housing
11	982283	5	Flange screw
12	925093	1	O-ring
13	3856502	1	Shoe
14	3860275	1	Bracket

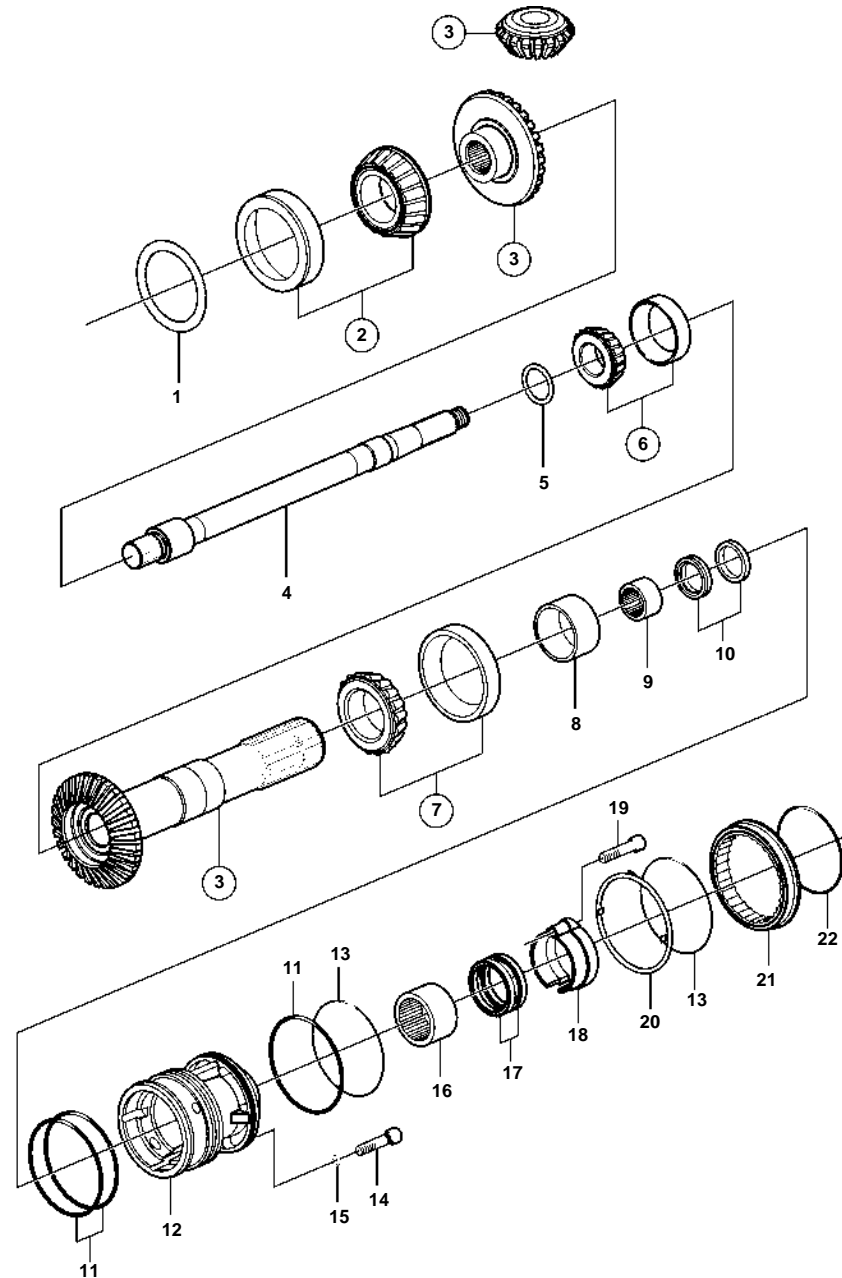
XDP-B



XDP-B

REF	PART NO.	QTY	DESCRIPTION	SEE SEC.	NOTES
1	3860648	X	Shim		TH=0.05mm
	3860649	X	Shim		TH=0.076mm
	3860650	X	Shim		TH=0.127mm
	3860651	X	Shim		TH=0.254mm
	3860652	X	Shim		TH=0.381mm
2	3859037	1	Bearing		
3	3860904	1	Gear set	4597	2.32, 1.96
	3861861	1	Gear set		2.11:1, 1.78:1
4	3851205	1	Propeller shaft		
5	191834	X	Shim		TH=0,10mm
	191835	X	Shim		TH=0.15mm
	191837	X	Shim		TH=0.25mm
6	3859038	1	Bearing		replaced by next part number
	184691	1	Roller bearing		
7	184765	1	Roller bearing		
8	184683	1	Inner ring		
9	183272	1	Needle roller bearin		
10	853871	1	Sealing ring		
11	942791	3	O-ring		
12	3862054	1	Housing		
13	946438	2	O-ring		
14	3851329	1	Screw		
15	955981	1	O-ring		
16	183859	1	Needle roller bushin		
17	851407	2	Sealing ring		
18	3861634	1	Anode		
	3861635	X	Anode		
19	963689	1	Hex. socket screw		
20	3860724	1	Retainer		
21	3860725	1	Thrust ring		
22	3852865	1	O-ring		

XDP-B



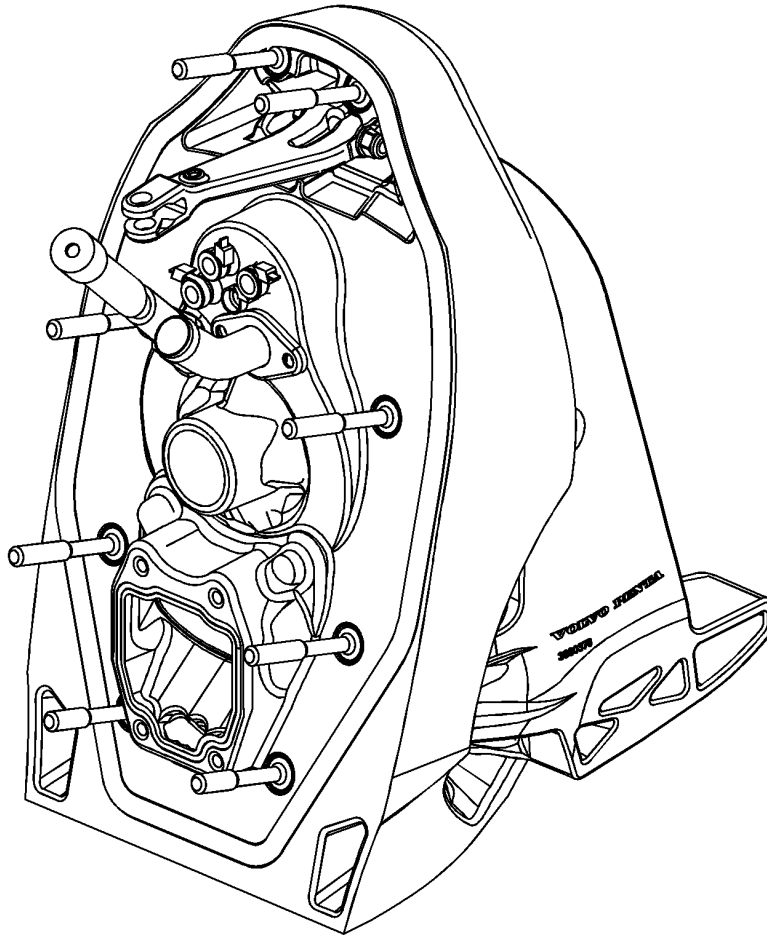
18072

XDP-B

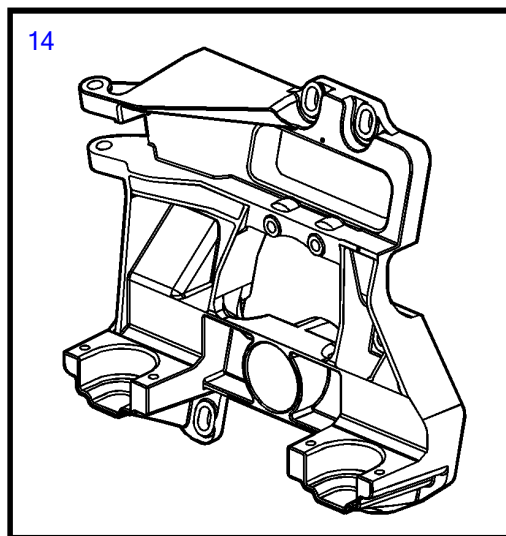
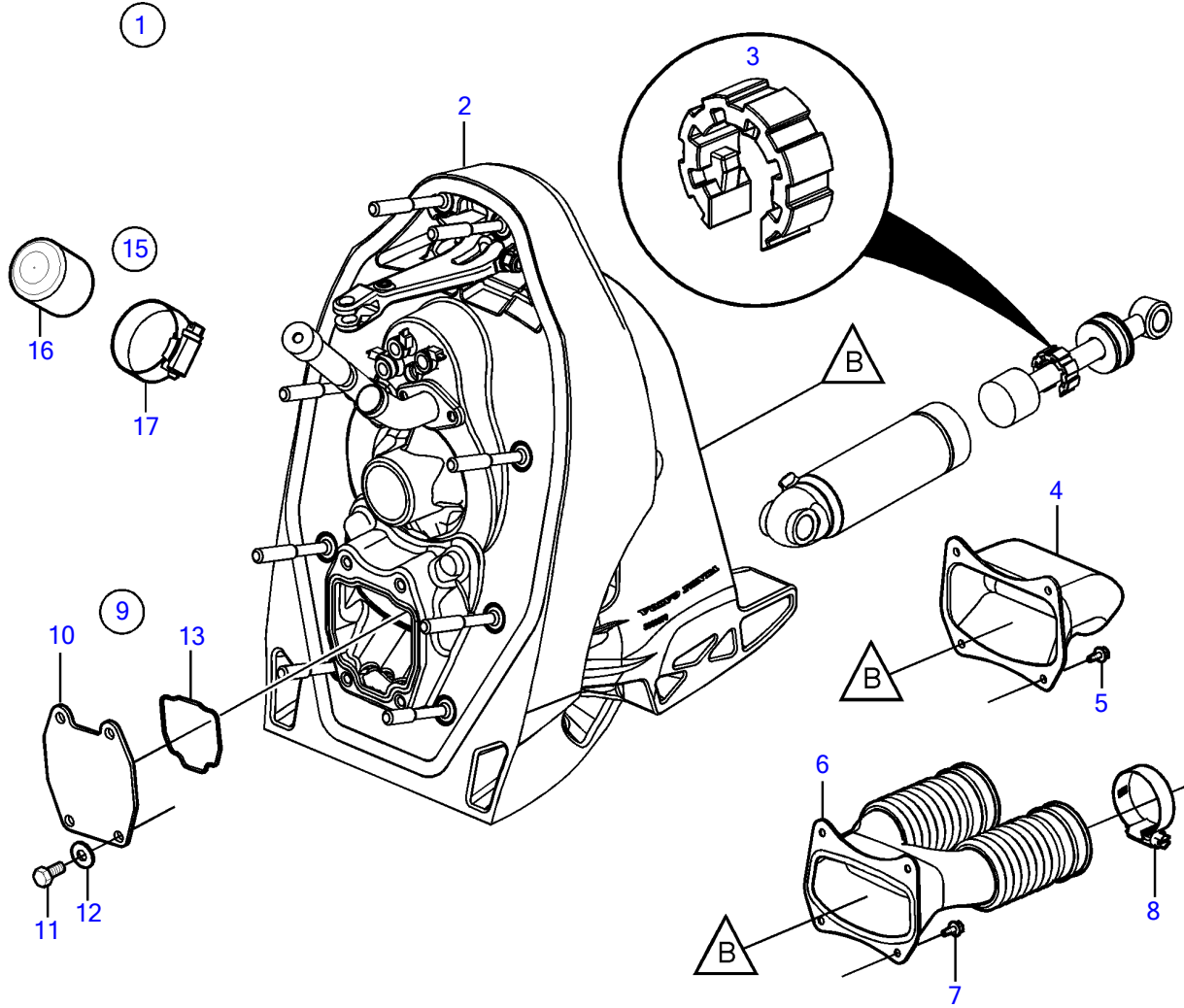
REF	PART NO.	QTY	DESCRIPTION	SEE SEC.	NOTES
1	3860648	X	Shim		TH = 0.05mm
	3860649	X	Shim		TH = 0.076mm
	3860650	X	Shim		TH = 0.127mm
	3860651	X	Shim		TH = 0.254mm
	3860652	X	Shim		TH = 0.381mm
2	3859037	1	Bearing kit		
3	3860904	1	Gear set	4597	2.32, 1.96
	3861861	1	Gear set		2.11:1, 1.78:1
4	3851205	1	Driveshaft		
5	191834	X	Shim		TH = 0.10mm
	191835	X	Shim		TH=0.15mm
	191837	X	Shim		TH = 0.25mm
6	3859038	1	Bearing kit		
7	184765	1	Roller bearing		
8	184683	1	Inner ring		
9	183272	1	Needle bearing		
10	853871	1	Sealing ring kit		
11	942791	3	O-ring		
12	3862054	1	Bearing housing		
13	946438	2	O-ring		
14	3851329	1	Screw		
15	955981	1	O-ring		
16	183859	1	Needle bearing		
17	851407	2	Sealing ring		
18	3861634	1	Anode		
	3861635	X	Magnesium anode		
19	963689	1	Screw		
20	3860724	1	Retainer		
21	3860725	1	Thrust ring		
22	3852865	1	O-ring		

X-B, X-BLT, XHP-B, XHP-BLT, XXP-A, XXP-ALT, XXP-D3

1



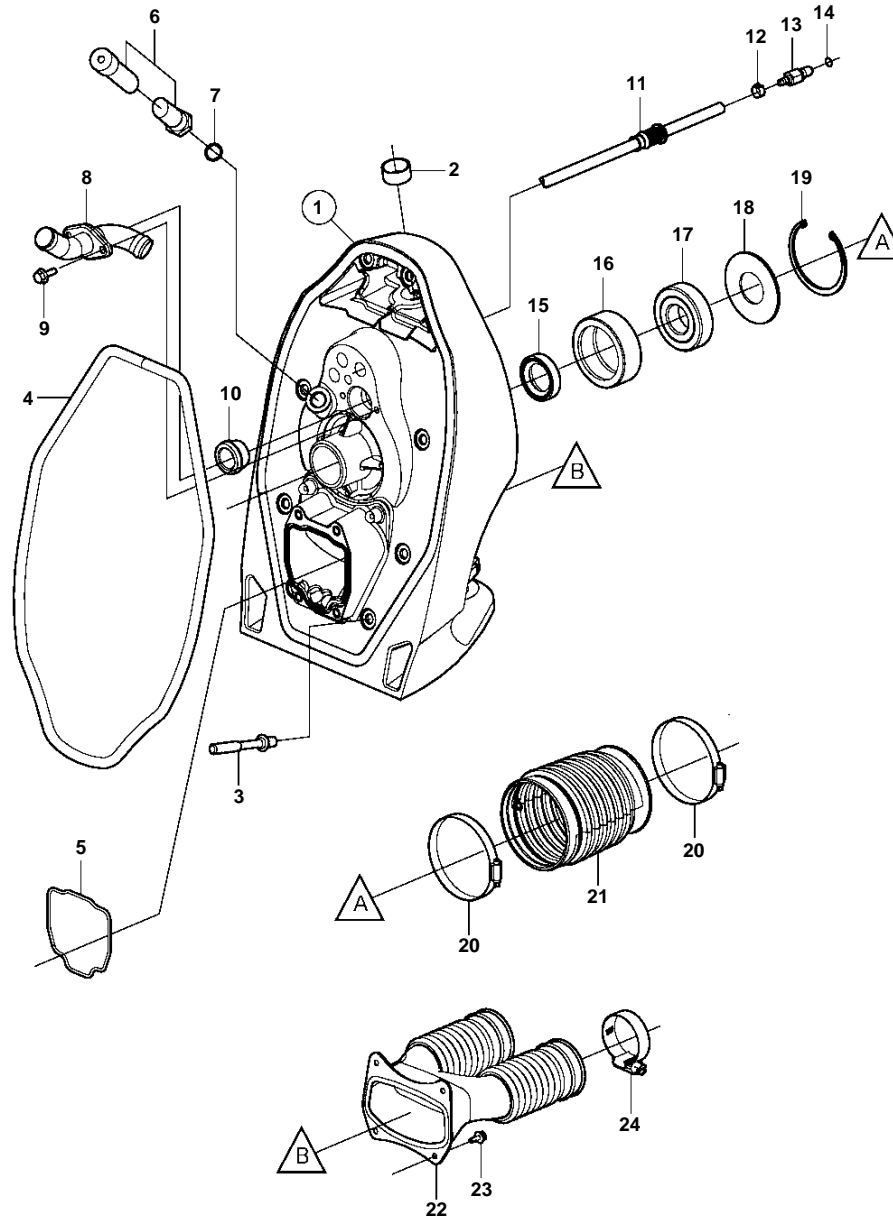
X-B, X-BLT, XHP-B, XHP-BLT, XXP-A, XXP-A, XXP-ALT, XXP-ALT



X-B, X-BLT, XHP-B, XHP-BLT, XXP-A, XXP-A, XXP-ALT, XXP-ALT

REF	PART NO.	QTY	DESCRIPTION	SEE SEC.	NOTES
1	(21485669)	1	Kit		Obsolete part
2		1	• Transom shield, XHP		See XHP-B shield for parts
3		2	• Limiter		trim cylinder
4	3589500	1	• Exhaust outlet, XHP		
5	982283	4	• Flange screw		
6	3885871	1	• Bellows, exhaust		
7	982283	4	• Flange screw		
8	3854978	2	• Hose clamp		
9	3862582	1	• Kit		
10	(3855228)	1	• • Cover plate		Obsolete part
11	3855227	2	• • Hexagon screw		
12	3852002	2	• • Spring washer		
13	3860984	1	• Sealing		
			• Bulletin P-25-2-2	P-25-2-2-EN	Y-pipe seal, gas engines
14	3854605	1	• Shield	4611	
15	3862566	1	• Kit		
16	3852476	1	• • Cardboard tube		
17	3862602	1	• • Hose assembly		

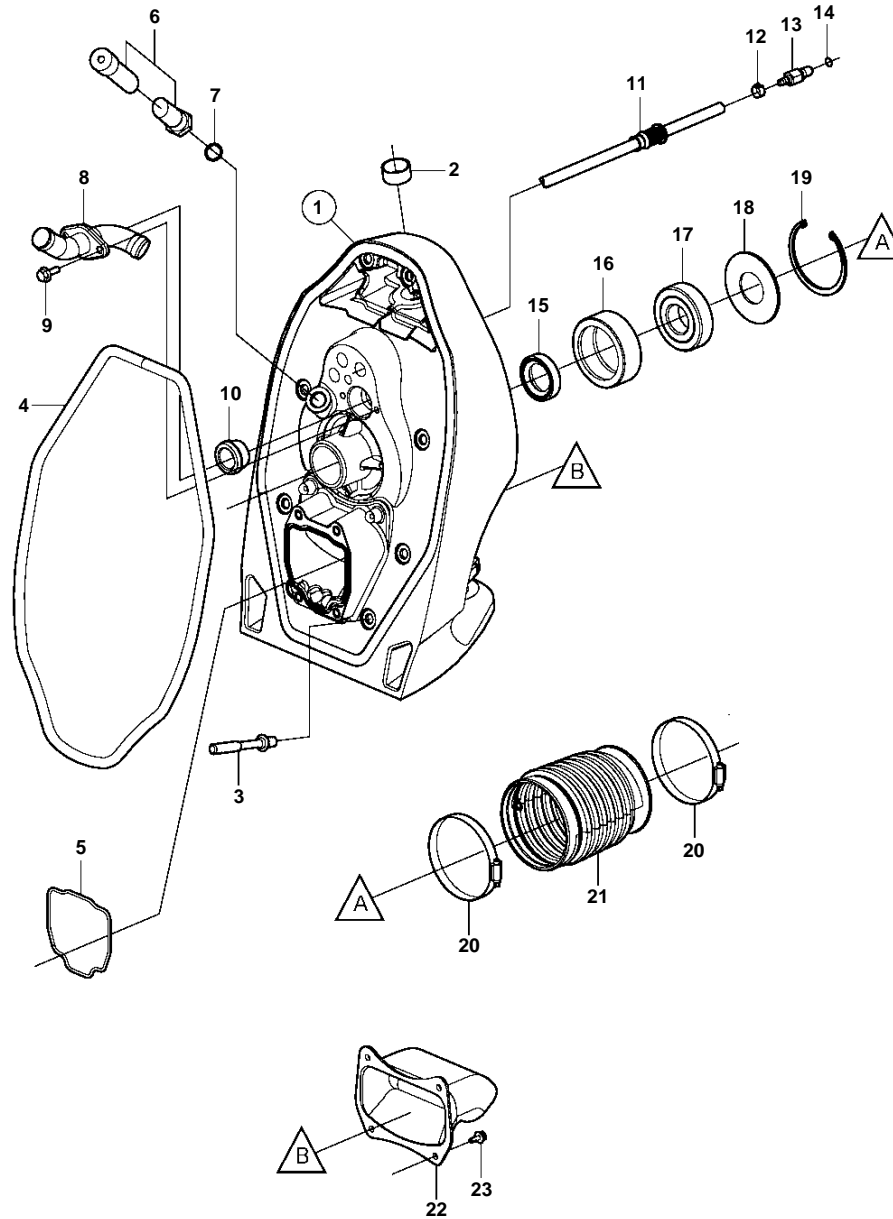
X-B, X-BLT



X-B, X-BLT

REF	PART NO.	QTY	DESCRIPTION	SEE SEC.	NOTES
1	3862066	1	Transom shield		
2	3860446	1	• Bearing		
3	3861840	6	• Stud		L=88mm
	3861841	2	• Stud		L=74mm
4	3860377	1	• Seal		
5	3860984	1	• Seal		
6	3856800	1	Hose, shift cable		
7	3852537	1	O-ring		
8	3862038	1	Water pipe		
9	982285	2	Flange screw		
10	3852556	1	Bushing		
11	3862289	1	Oil line	4601	
12	982713	1	• Clamp		
13	3862115	1	• Fitting		
14	942978	1	• • O-ring		
15	3852548	1	Seal		
16	3860365	1	Rubber element		
17	184860	1	Ball bearing		
18	3862067	1	Plate, Bearing		
19	3861006	1	Retaining ring		
20	853012	2	Hose clamp		
21	3860419	1	Bellows		
22	3862048	1	Exhaust bellows		
23	982283	4	Flange screw		
24	3854978	2	Clamp		

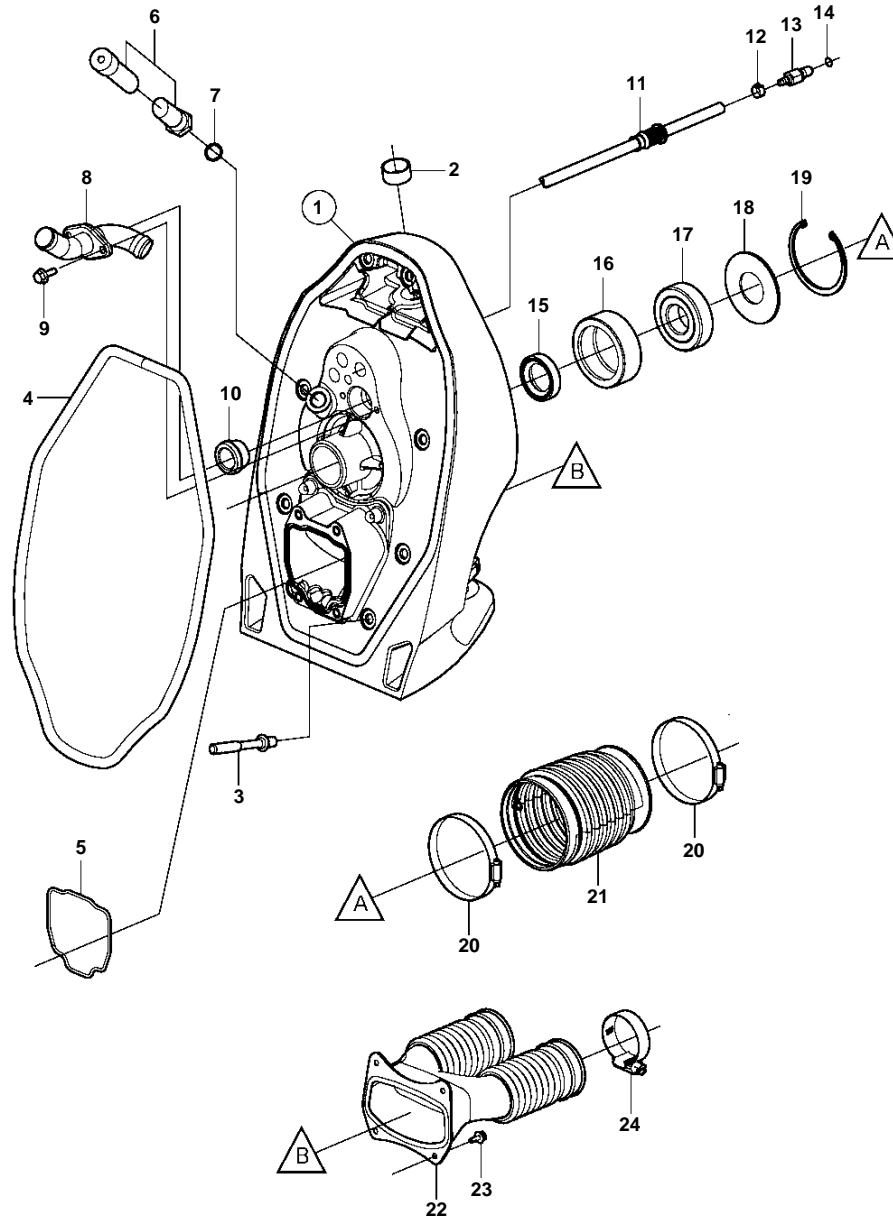
XXP-A, XXP-ALT



XXP-A, XXP-ALT

REF	PART NO.	QTY	DESCRIPTION	SEE SEC.	NOTES
1	3862066	1	Transom shield		
2	3860446	1	· Bearing		
3	3861840	6	· Stud		L=88mm
	3861841	2	· Stud		L=74mm
4	3860377	1	· Seal		
5	3860984	1	· Seal		
6	3856800	1	Hose, shift cable		
7	3852537	1	O-ring		
8	3862038	1	Water pipe		
9	982285	2	Flange screw		
10	3852556	1	Bushing		
11	3862289	1	Oil line	4601	
12	982713	1	· Clamp		
13	3862115	1	· Fitting		
14	942978	1	· · O-ring		
15	3852548	1	Seal		
16	3860365	1	Rubber element		
17	184860	1	Ball bearing		
18	3862067	1	Plate, Bearing		
19	3861006	1	Retaining ring		
20	853012	2	Hose clamp		
21	3860419	1	Bellows		
22	3589500	1	Exhaust outlet		
23	982283	4	Flange screw		

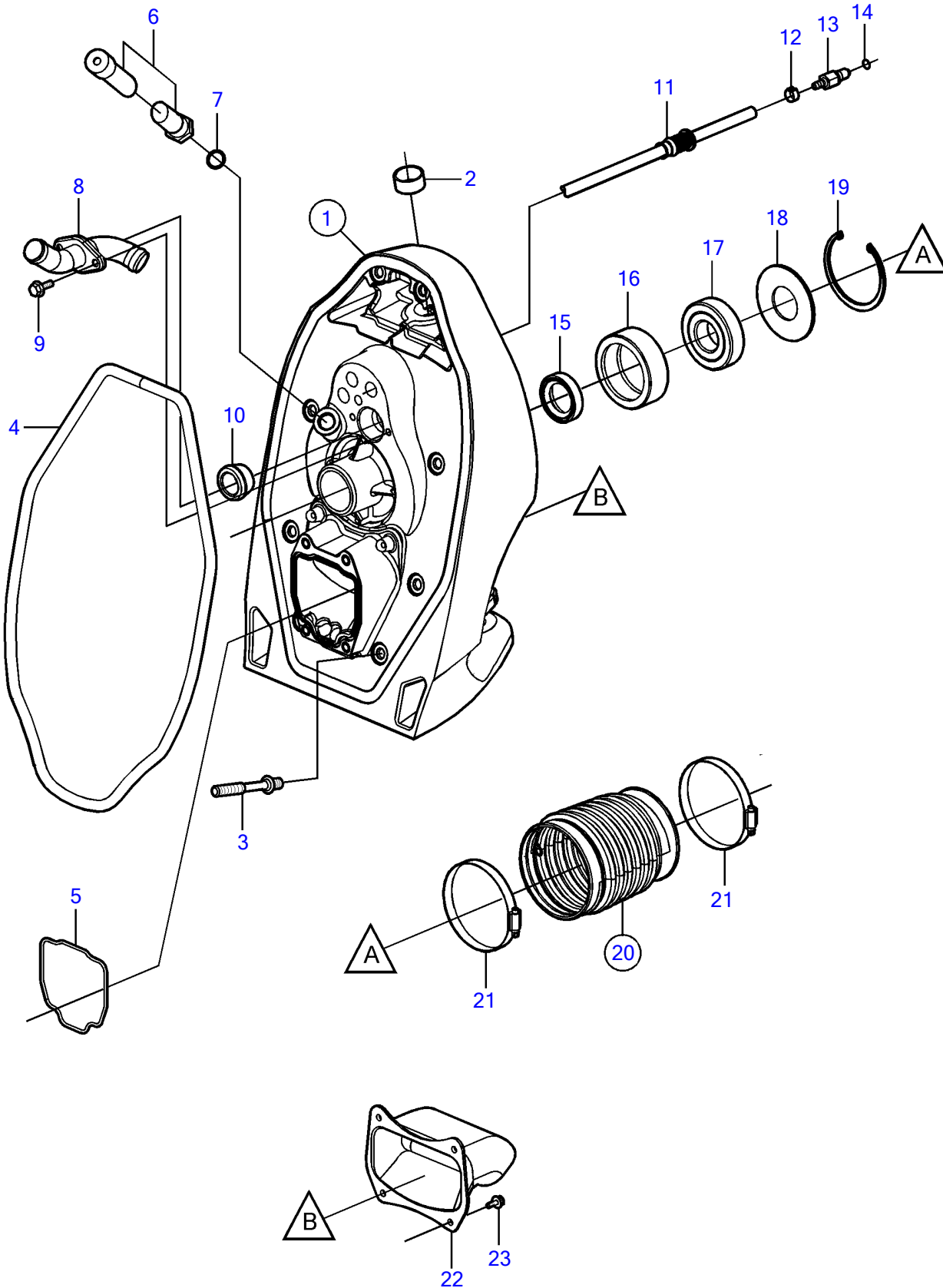
XHP-B, XHP-BLT, XXP-D3



XHP-B, XHP-BLT, XXP-D3

REF	PART NO.	QTY	DESCRIPTION	SEE SEC.	NOTES
1	3862498	1	Transom shield		
2	3860446	1	• Bearing		
3	3861840	6	• Stud		L=88mm
	3861841	2	• Stud		L=74mm
4	3860377	1	• Seal		
5	3860984	1	• Seal		
6	3856800	1	Hose, shift cable		
7	3852537	1	O-ring		
8	3862038	1	Water pipe		
9	982285	2	Flange screw		
10	3852556	1	Bushing		
11	3862289	1	Oil line	4601	
12	982713	1	• Clamp		
13	3862115	1	• Fitting		
14	942978	1	• • O-ring		
15	3852548	1	Seal		
16	3860365	1	Rubber element		
17	184860	1	Ball bearing		
18	3862067	1	Plate, Bearing		
19	3861006	1	Retaining ring		
20	853012	2	Hose clamp		
21	3860419	1	Bellows		
22	3862466	1	Exhaust bellows		
23	982283	4	Flange screw		
24	3854978	2	Clamp		

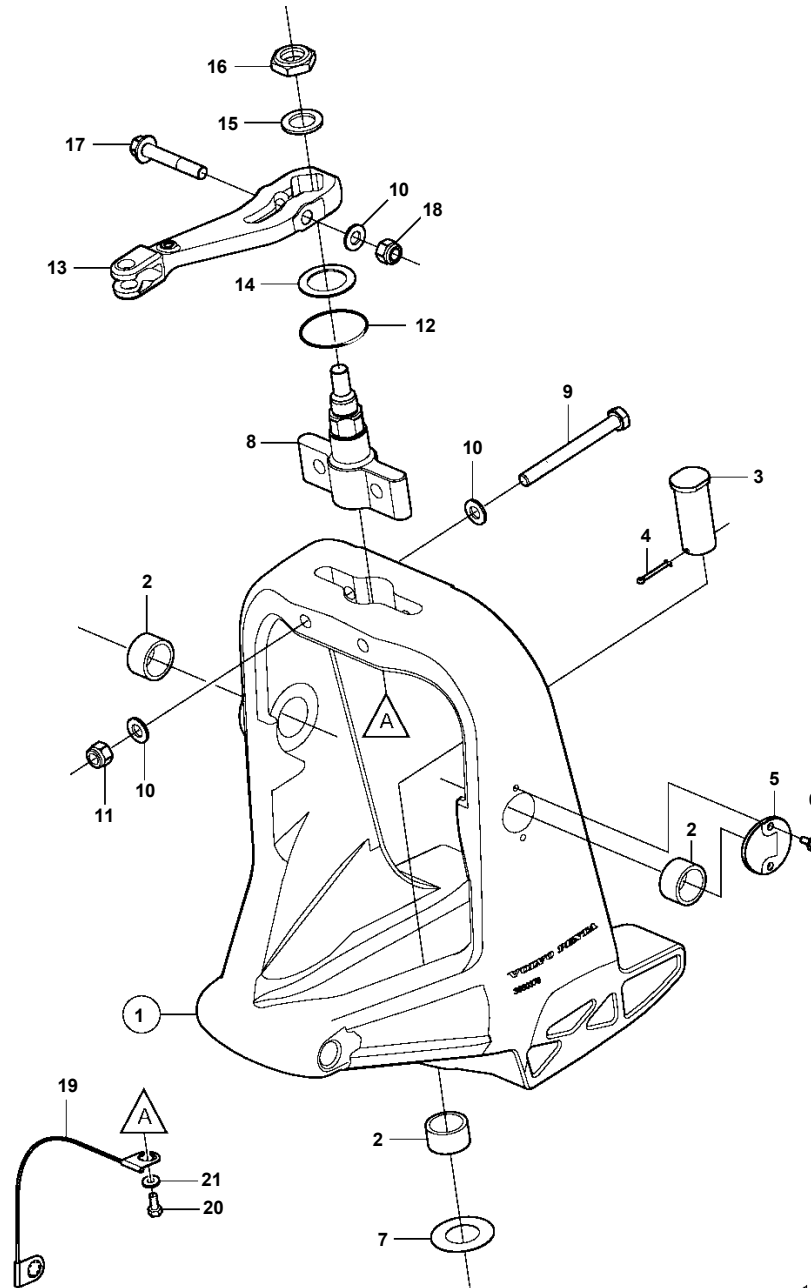
XXP-A, XXP-ALT



XXP-A, XXP-ALT

REF	PART NO.	QTY	DESCRIPTION	SEE SEC.	NOTES
1	(3862066)	1	Shield		Obsolete part
			• Bulletin P-44-1-23	P-44-1-23-EN	XDP TSK Replacement
2	3860446	1	• Bearing		
3	3861840	6	• Stud		L=88mm
	3861841	2	• Stud		L=74mm
4	3860377	1	• Sealing		
5	3860984	1	• Sealing		
			• Bulletin P-25-2-2	P-25-2-2-EN	Y-pipe seal, gas engines
6	3856800	1	Hose, shift cable		
7	3852537	1	O-ring		
8	3862038	1	Tube		
9	982285	2	Flange screw		
10	3852556	1	Bushing		
11	3862289	1	Oil line	4601	
12	982713	1	• Clamp		
13	3862115	1	• Fitting		
14	942978	1	• • O-ring		
15	3852548	1	Sealing		
16	3860365	1	Rubber collar		
17	184860	1	Ball bearing		
18	3862067	1	Plate, bearing		
19	3861006	1	Snap ring		
20	21277185	1	Bellows		
21	853012	2	• Hose clamp		
22	3589500	1	Exhaust outlet		
23	982283	4	Flange screw		

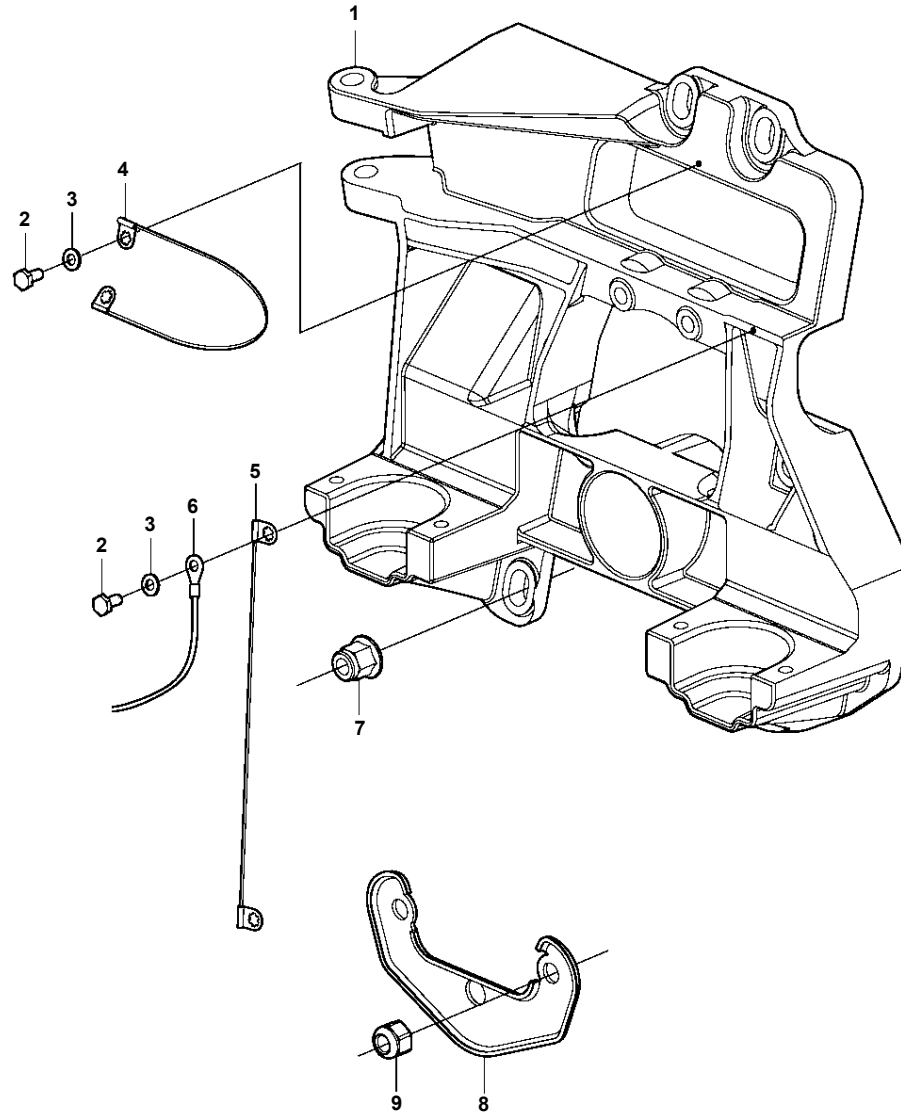
X-B, X-BLT, XHP-B, XHP-BLT, XXP-D3



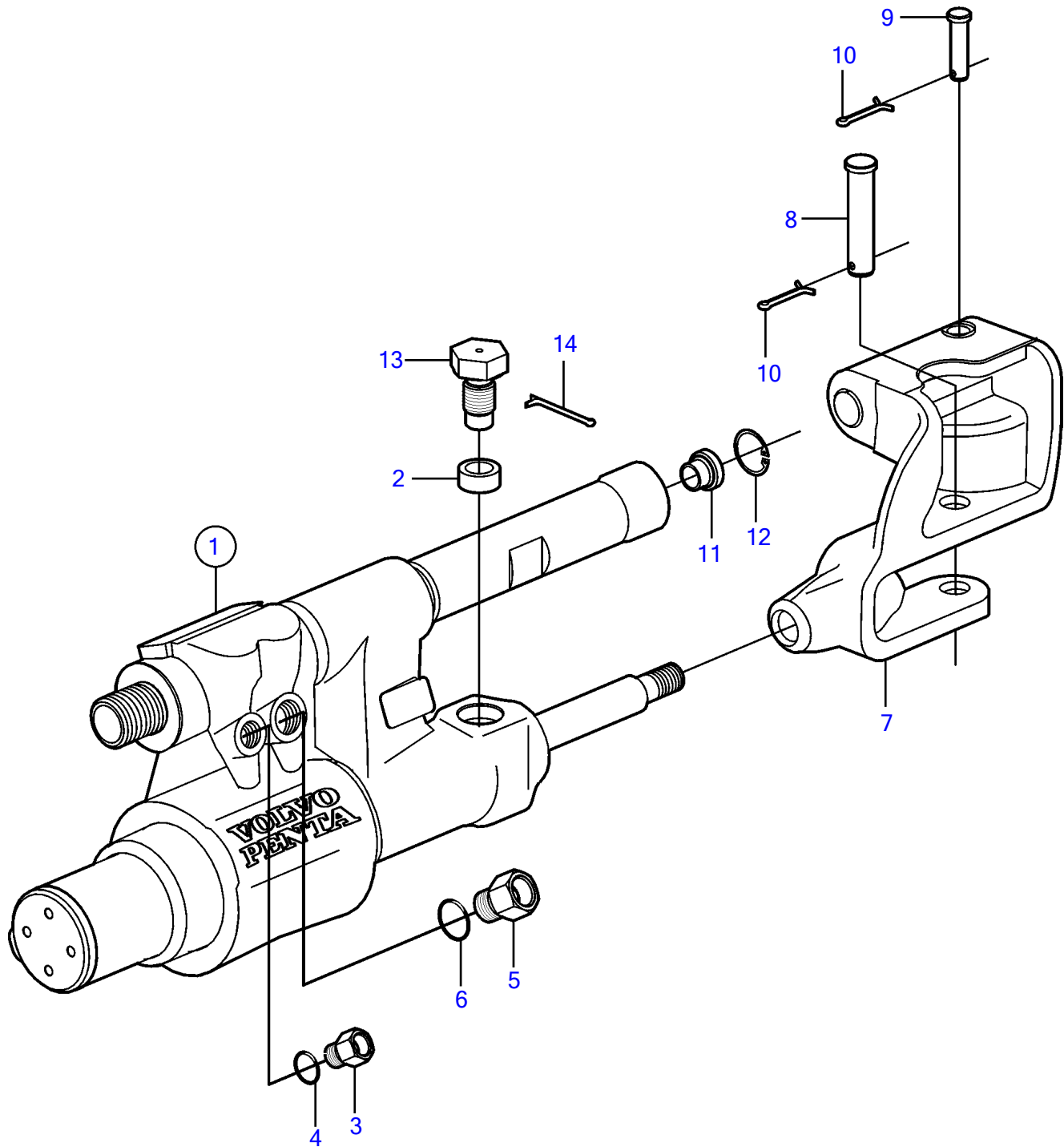
X-B, X-BLT, XHP-B, XHP-BLT, XXP-D3

REF	PART NO.	QTY	DESCRIPTION
1	3860753	1	Housing
2	3852544	3	· Bearing
3	3860380	1	Shaft
4	979874	1	Cotter pin
5	3862138	1	Cap
6	982283	2	Flange screw
7	3860430	2	Wear washer
8	3861823	1	Steering knuckle
9	971032	2	Screw
10	980933	5	Washer
11	982531	2	Lock nut
12	941503	1	O-ring
13	3862125	1	Arm
14	3860521	1	Thrust washer
15	982328	1	Washer
16	947363	1	Nut
17	965187	1	Screw
18	971089	1	Lock nut
19	3861447	1	Ground cable
20	982523	1	Hexagon screw
21	982408	1	Washer

X-B, X-BLT, XHP-B, XHP-BLT, XXP-A, XXP-ALT, XXP-D3



X-B, X-BLT, XHP-B, XHP-BLT, XXP-A, XXP-ALT, XXP-D3



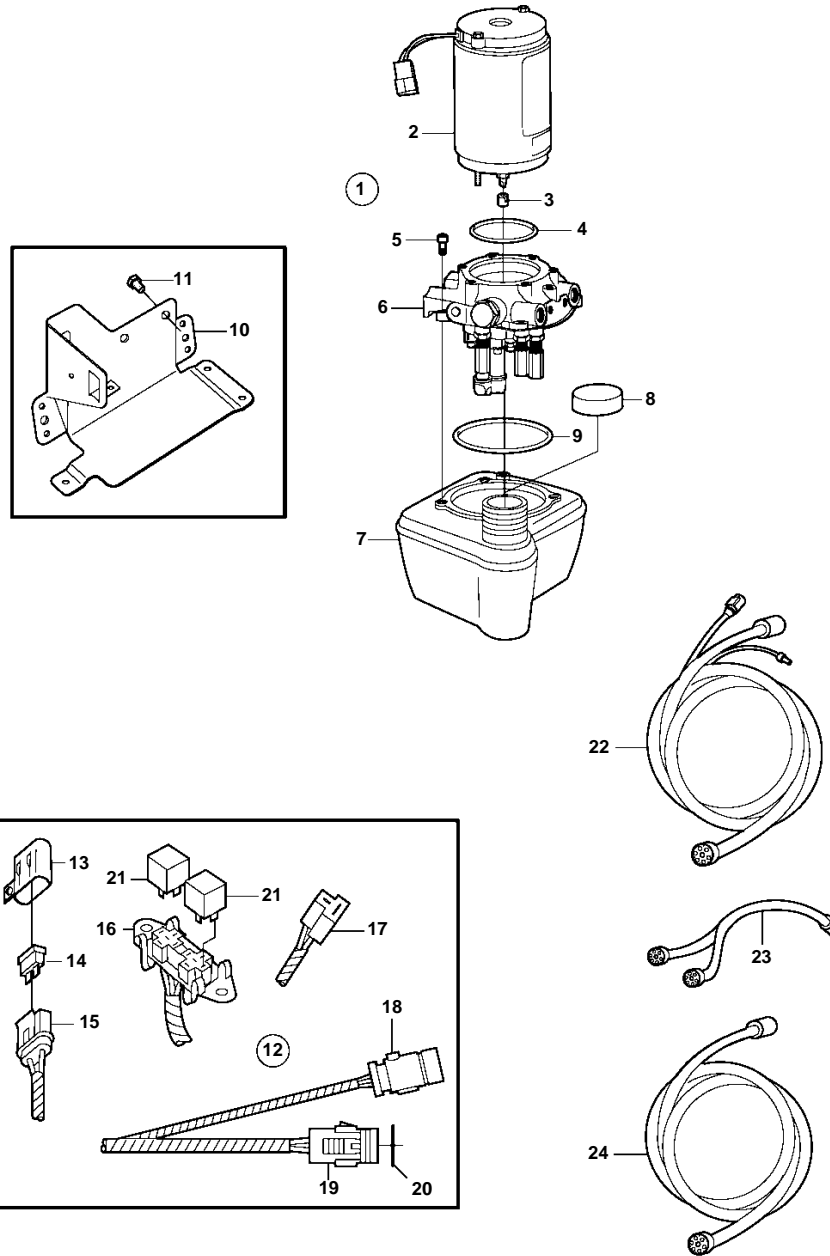
X-B, X-BLT, XHP-B, XHP-BLT, XXP-A, XXP-ALT, XXP-D3

REF	PART NO.	QTY	DESCRIPTION
1	3812269	1	Steering cylinder
2	3861035	2	• Bushing
3	3859041	1	• Fitting
4	3859040	1	• O-ring
5	3859043	1	• Fitting
6	3859042	1	• O-ring
7	3859048	1	• Cable attachment
8	3859047	1	• Pin
9	3859046	1	• Pin
10	3859045	2	• Split pin
11	3859052	1	• Ring
12	3859051	1	• Ring
13	3850931	2	Screw
14	3853376	2	Split pin

X-B, X-BLT, XHP-B, XHP-BLT, XXP-A, XXP-ALT, XXP-D3

REF	PART NO.	QTY	DESCRIPTION	NOTES
1	3854605	1	Plate	
2	3852050	2	Screw	
3	3852193	2	Washer	
4	3857347	1	Ground cable	
5	3857347	1	Ground cable	Not used on later versions.
6	3853927	1	Ground cable	
7	977938	6	Flange lock nut	
8	3852605	1	Backing plate	
9	963108	2	Nut	

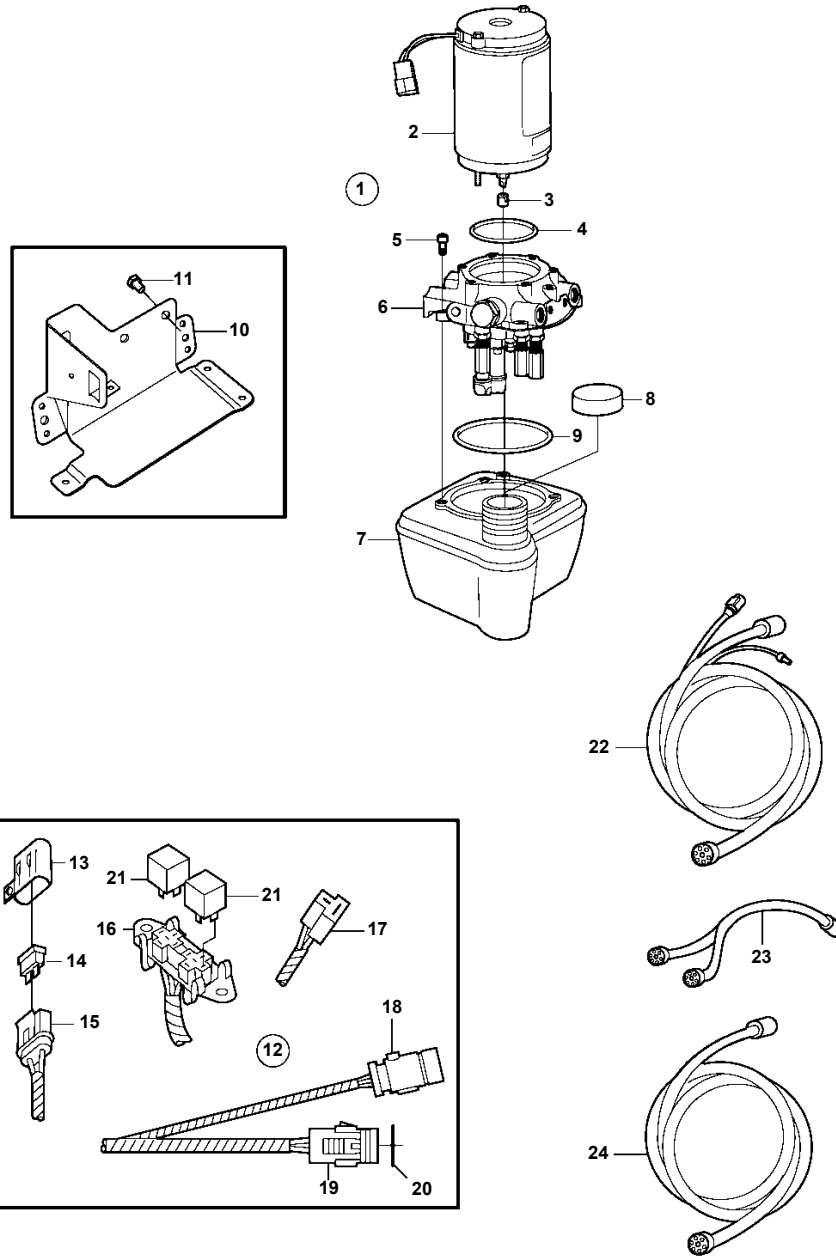
XHP-B, XHP-BLT, XXP-A, XXP-ALT



XHP-B, XHP-BLT, XXP-A, XXP-ALT

REF	PART NO.	QTY	DESCRIPTION	NOTES
1	888792	1	Pump, trim	
2	3861576	1	• Electrical motor	
3	3861577	1	• Connector	
4	3861578	1	• O-ring	
5	3861574	4	• Screw	
6		1	• Valve body	NOT SERVICED
7	3861570	1	• Reservoir	
8	3861572	1	• • Cap	
9	3861573	1	• • O-ring	
10	3858083	1	• Bracket	
11	971017	2	• Hexagon screw	
12	3857345	1	• Cable	
13	8072808	1	• • Cover	
14	967545	1	• • Fuse	10 AMP
15	8166029	1	• • Connector	
	3852254	2	• • Cable terminal	
16	3852210	1	• • Bracket	
	3852246	4	• • Cable terminal	
	3852247	6	• • Cable terminal	
17	958210	1	• • Receptacle housing	
	3852247	2	• • Cable terminal	
18		1	• • Connector	NOT SERVICED
19	3852250	1	• • Connector	
	3852251	1	• • Plug	
	3852253	2	• • Cable terminal	
20	3852537	1	• • O-ring	
21	3858809	2	• Relay	
22	3855709	X	Cable harness, trim	5m
	3855708	X	Cable harness, trim	7m
23	3855712	X	Cable harness, Y	DUAL STATION
24	3855711	X	Cable harness, extension	3m
	3855711	X	Cable harness, extension	5m

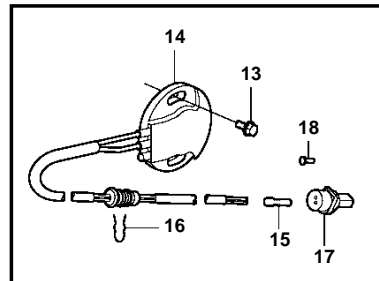
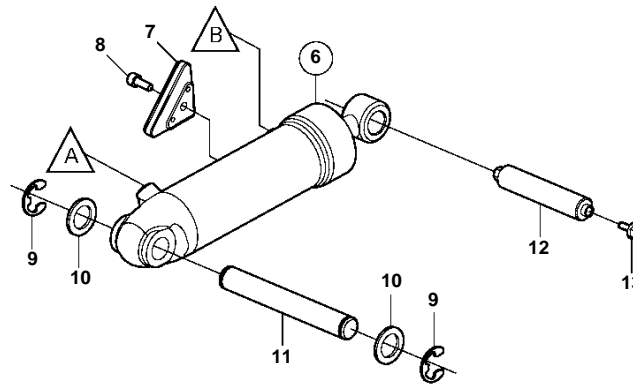
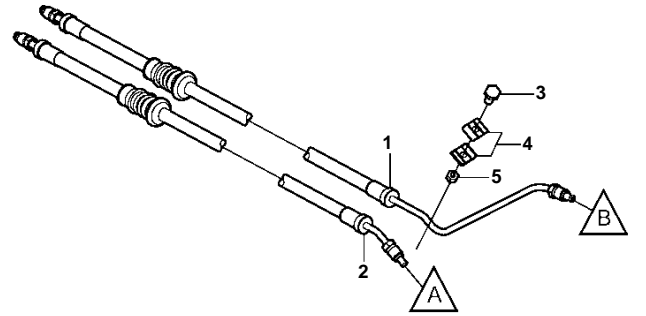
X-B, X-BLT



X-B, X-BLT

REF	PART NO.	QTY	DESCRIPTION	NOTES
1	3860372	1	Pump, trim	
2	3861576	1	· Electrical motor	
3	3861577	1	· Connector	
4	3861578	1	· O-ring	
5	3861574	4	· Screw	
6		1	· Valve body	NOT SERVICED
7	3861570	1	· Reservoir	
8	3861572	1	· · Cap	
9	3861573	1	· · O-ring	
10	3858083	1	· Bracket	
11	971017	2	· Hexagon screw	
12	3857345	1	· Cable	
13	8072808	1	· · Cover	
14	967545	1	· · Fuse	10 AMP
15	8166029	1	· · Connector	
	3852254	2	· · Cable terminal	
16	3852210	1	· · Bracket	
	3852246	4	· · Cable terminal	
	3852247	6	· · Cable terminal	
17	958210	1	· · Receptacle housing	
	3852247	2	· · Cable terminal	
18		1	· · Connector	NOT SERVICED
19	3852250	1	· · Connector	
	3852251	1	· · Plug	
	3852253	2	· · Cable terminal	
20	3852537	1	· · O-ring	
21	3858809	2	· Relay	
22	3855709	X	Cable harness, trim	5m
	3855708	X	Cable harness, trim	7m
23	3855712	X	Cable harness, Y	DUAL STATION
24	3855710	X	Cable harness, extension	3m
	3855711	X	Cable harness, extension	5m

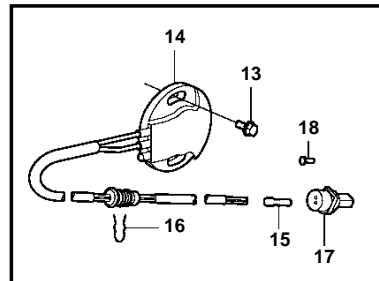
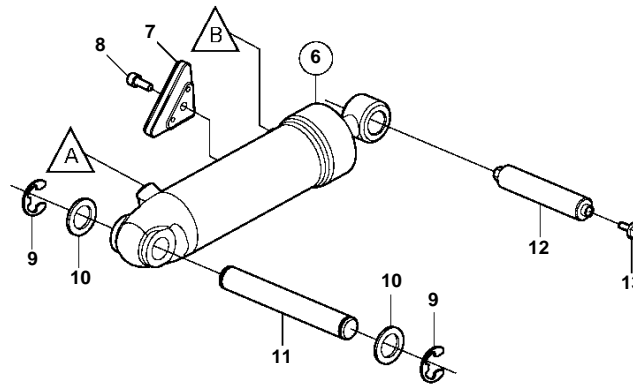
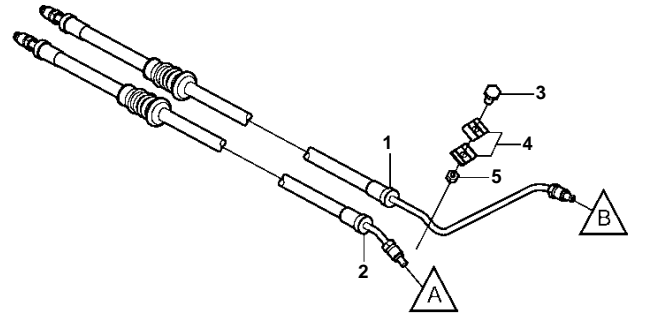
X-B, XHP-B, XXP-A, XXP-D3



X-B, XHP-B, XXP-A, XXP-D3

REF	PART NO.	QTY	DESCRIPTION
1	3860374	1	Hydraulic hose
2	3860373	1	Hydraulic hose
3	963545	1	Screw
4	854628	2	Clamp
5	944456	1	Nut
6	3589470	1	Trimming cylinder
7	3861583	1	· Zinc anod
8	963683	1	· · Screw
9	3857521	2	Clip
10	982328	2	Washer
11	3860379	1	Pin
12	3860378	1	Pin
13	982283	3	Flange screw
14	3861169	1	Sender
15	3852257	2	· Cable terminal
16	3852555	1	Retainer
17	3852239	1	Pin connector
18	3852230	1	Plug

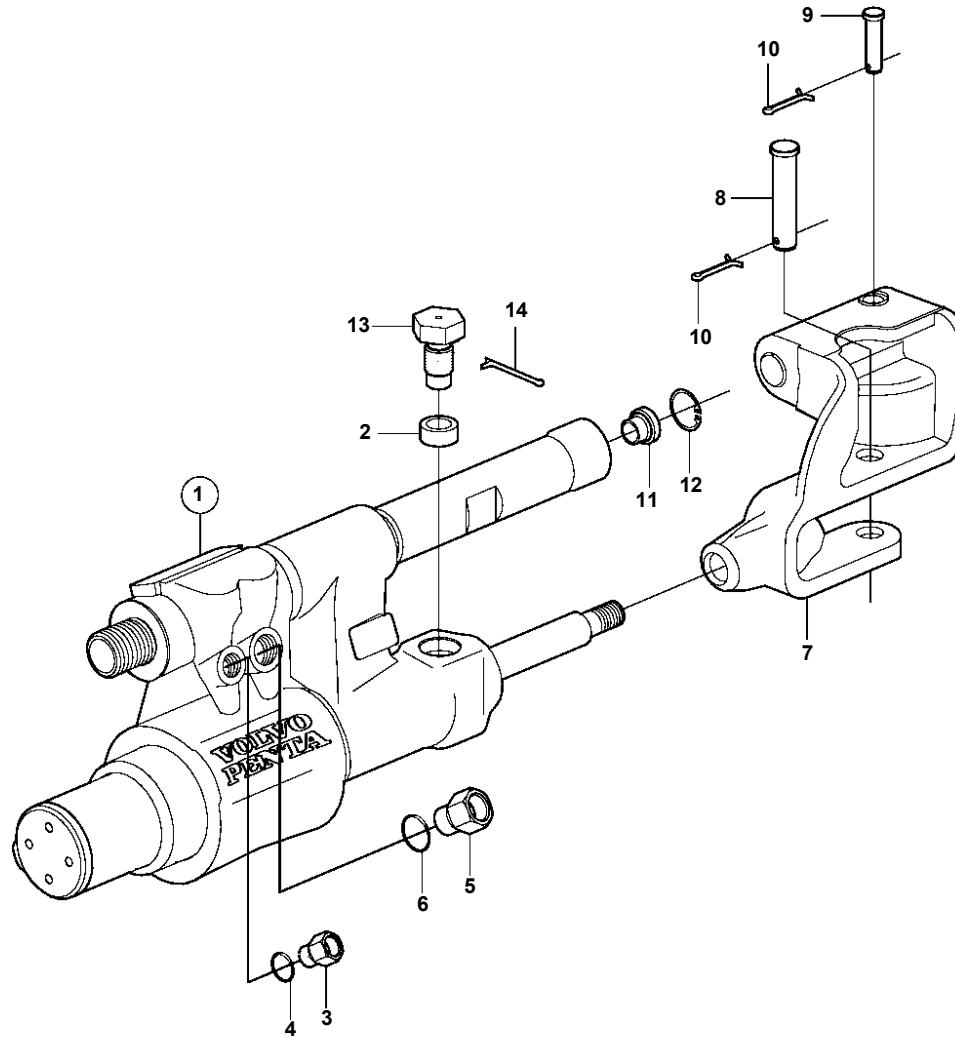
X-BLT, XHP-BLT, XXP-ALT



X-BLT, XHP-BLT, XXP-ALT

REF	PART NO.	QTY	DESCRIPTION
1	3860374	1	Hydraulic hose
2	3860373	1	Hydraulic hose
3	963545	1	Screw
4	854628	2	Clamp
5	944456	1	Nut
6	3589472	1	Trimming cylinder
7	3861583	1	· Zinc anod
8	963683	1	· · Screw
9	3857521	2	Clip
10	982328	2	Washer
11	3860379	1	Pin
12	3860378	1	Pin
13	982283	3	Flange screw
14	3861169	1	Sender
15	3852257	2	· Cable terminal
16	3852555	1	Retainer
17	3852239	1	Pin connector
18	3852230	1	Plug

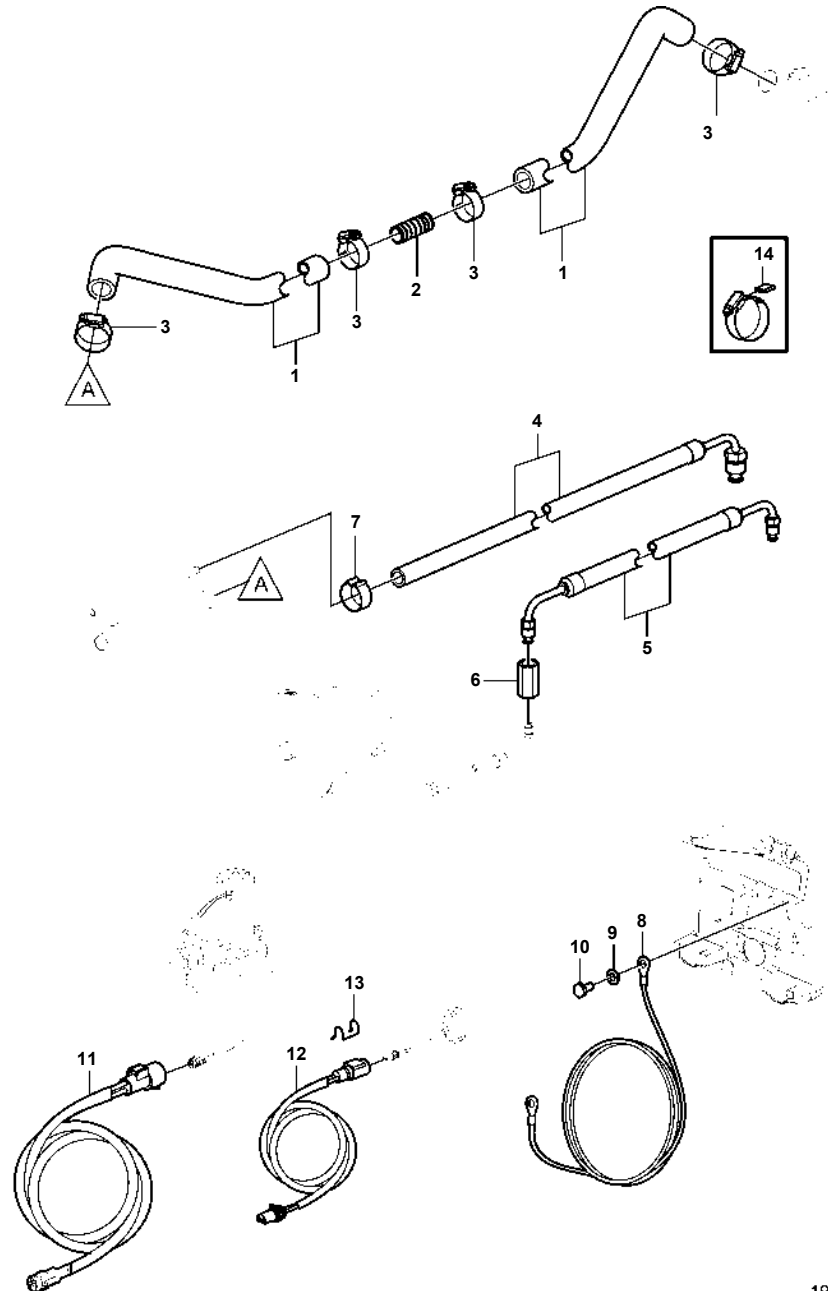
X-B, X-BLT, XHP-B, XHP-BLT, XXP-A, XXP-ALT



X-B, X-BLT, XHP-B, XHP-BLT, XXP-A, XXP-ALT

REF	PART NO.	QTY	DESCRIPTION
1	3862210	1	Steering cylinder
2	3861035	2	· Bushing
3	3859041	1	· Fitting
4	3859040	1	· O-ring
5	3859043	1	· Fitting
6	3859042	1	· O-ring
7	3859048	1	· Cable attachment
8	3859047	1	· Pin
9	3859046	1	· Pin
10	3859045	2	· Cotter pin
11	3859052	1	· Bushing
12	3859051	1	· Snap ring
13	3850931	2	Screw
14	3853376	2	Cotter pin

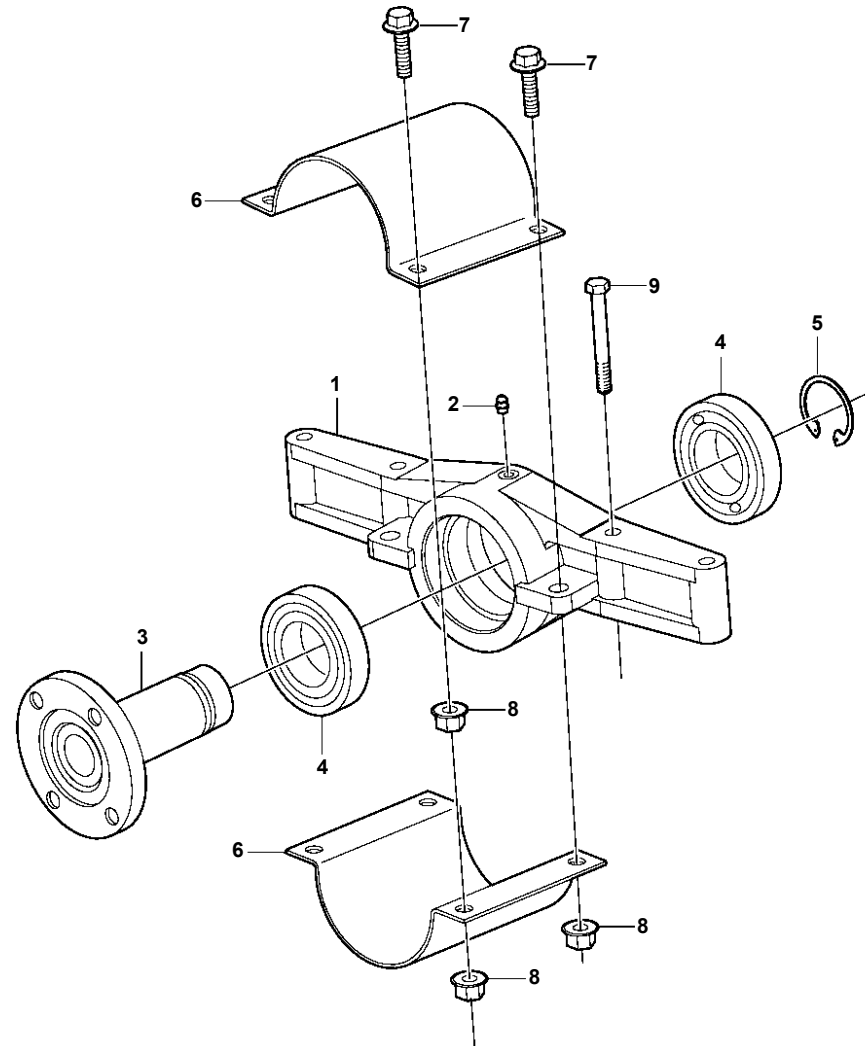
X-B, X-BLT, XHP-B, XHP-BLT, XXP-A, XXP-ALT, XXP-D3



X-B, X-BLT, XHP-B, XHP-BLT, XXP-A, XXP-ALT, XXP-D3

REF	PART NO.	QTY	DESCRIPTION	NOTES
1	3860824	2	Hose	CUT TO LENGTH
2	3851594	1	Connection pipe	
3	3852602	4	Clamp	
4	3860830	1	Hose, return	
5	3860831	1	Hose, pressure	
6	3862511	1	Connector	
7	982663	1	Clamp	
8	3862894	1	Cable, ground	L=3050mm
9	3852193	1	Washer	
10	3852050	1	Screw	
11	3860838	1	Extension cable	TRIM PUMP
12	3860839	1	Extension cable	TRIM SENDER
13	3852237	2	Retainer	
14	3858532	X	Cover, clamp	

X-B, X-BLT, XHP-B, XHP-BLT, XXP-A, XXP-ALT, XXP-D3

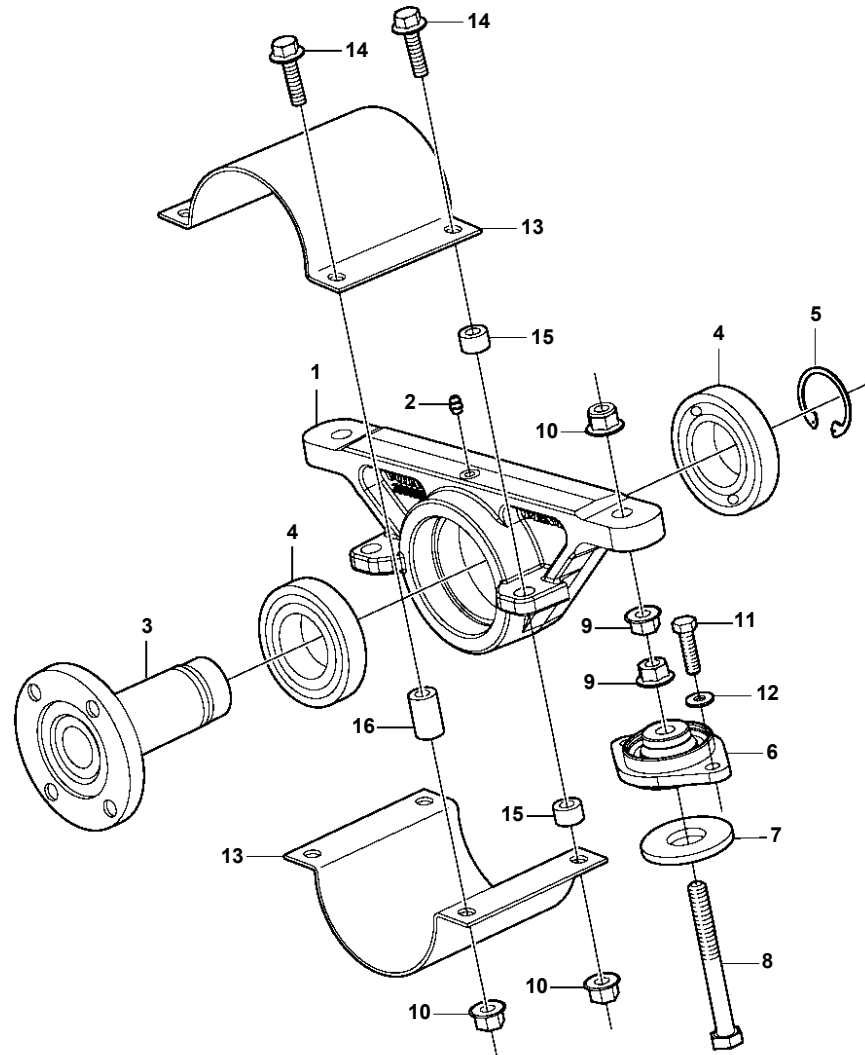


19628

X-B, X-BLT, XHP-B, XHP-BLT, XXP-A, XXP-ALT, XXP-D3

REF	PART NO.	QTY	DESCRIPTION
1	3851728	1	Bearing housing
2	3852121	1	Lubricating nipple
3	3862697	1	Flange
4	181789	2	Ball bearing
5	914470	1	Lock ring
6	3851729	2	Cover
7	965192	4	Flange screw
8	971099	6	Flange lock nut
9	959975	7	Screw

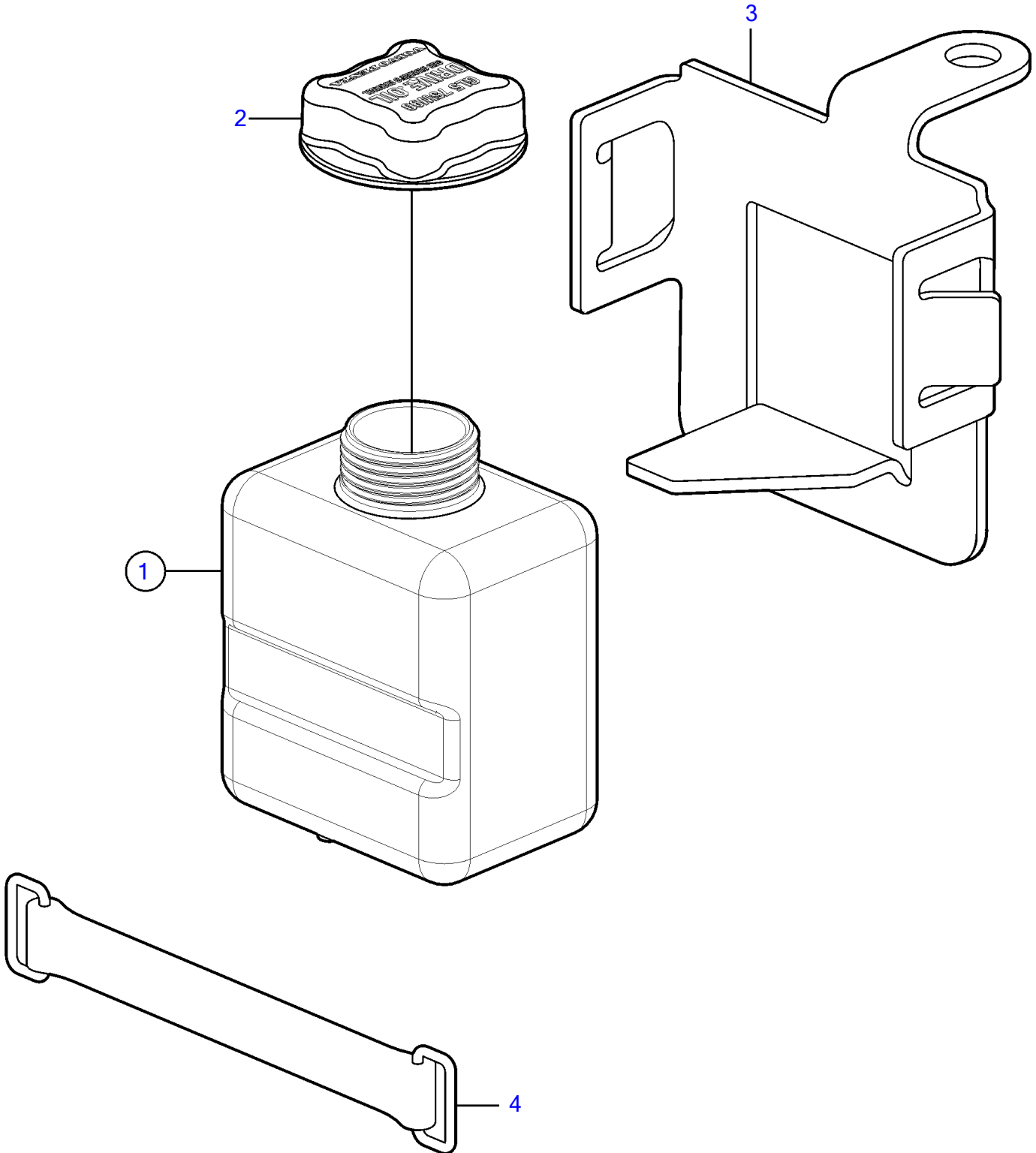
X-B, X-BLT, XHP-B, XHP-BLT, XXP-A, XXP-ALT, XXP-D3



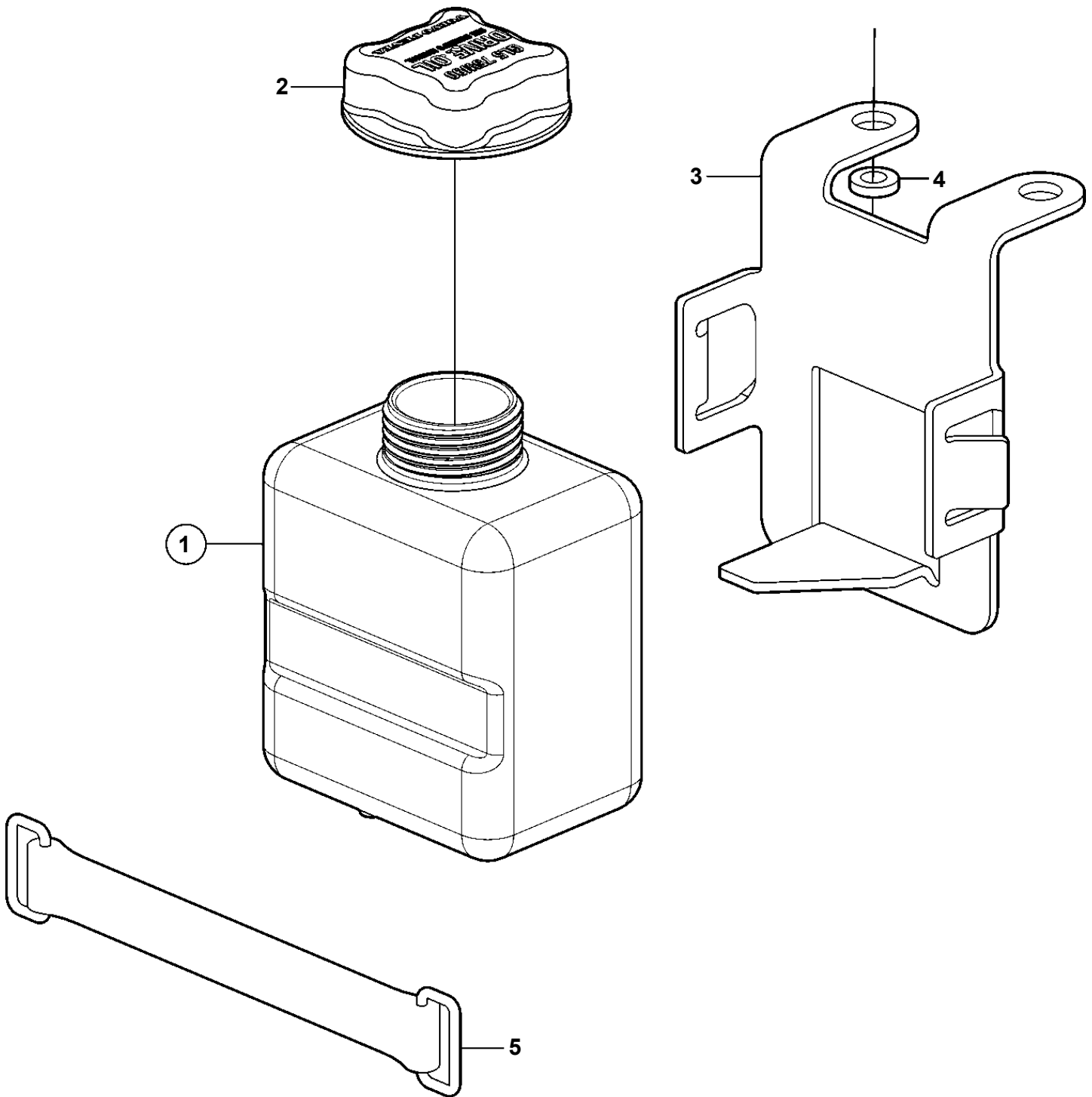
X-B, X-BLT, XHP-B, XHP-BLT, XXP-A, XXP-ALT, XXP-D3

REF	PART NO.	QTY	DESCRIPTION
1	3860837	1	Bearing housing
2	3852121	1	Lubricating nipple
3	3862697	1	Flange
4	184867	2	Bearing
5	914470	1	Lock ring
6	3853806	2	Rubber cushion
7	3852542	2	Washer
8	980362	2	Screw
9	971096	4	Nut
10	977938	6	Flange lock nut
11	959968	4	Screw
12	3852155	4	Washer
13	3851729	2	Cover
14	948039	4	Flange screw
15	983740	4	Spacer
16	983741	2	Spacer

8.10Si-J, 8.10Si-JF



4.30Si-E, 4.30Si-EF

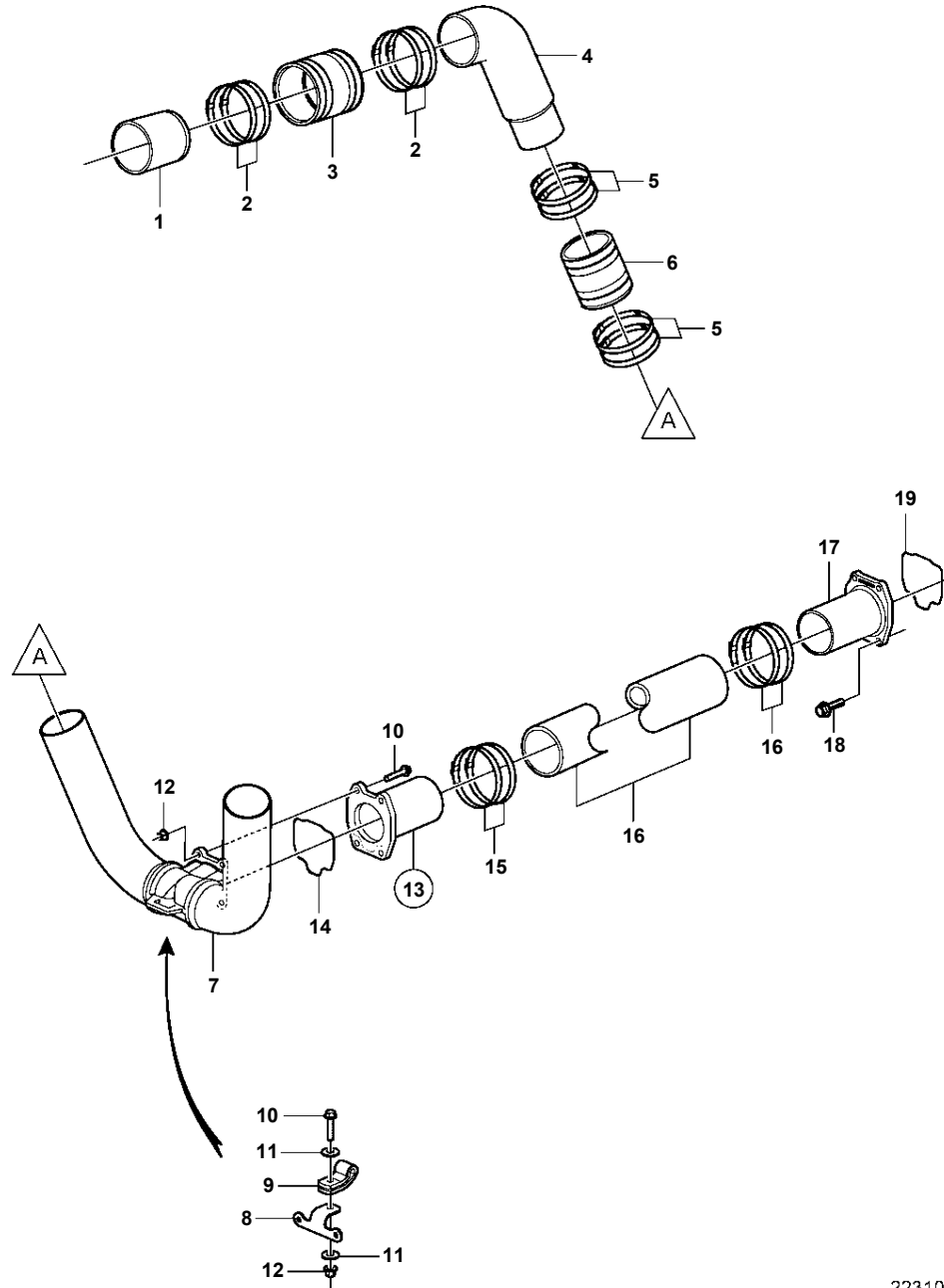


18772

4.30Si-E, 4.30Si-EF

REF	PART NO.	QTY	DESCRIPTION
1	3862175	1	Oil reservoir
2	3862109	1	· Cap
3	3861764	1	Bracket
4	930842	1	Washer
5	3862111	1	Strap

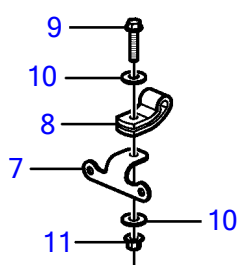
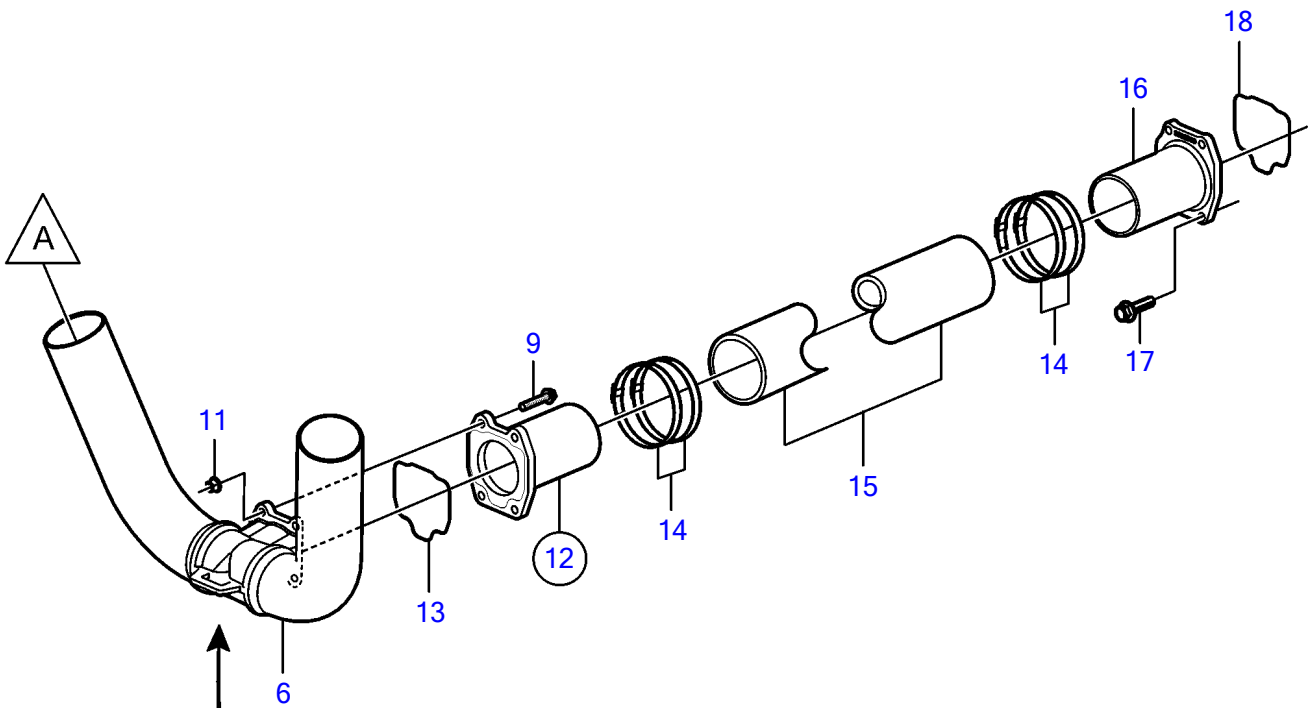
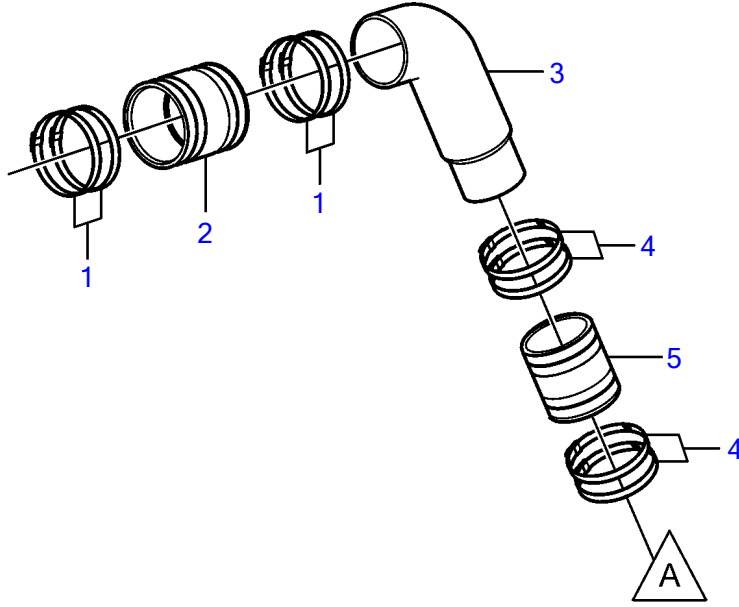
X-B, X-BLT, XHP-B, XHP-BLT, XXP-A, XXP-ALT, XXP-D3



X-B, X-BLT, XHP-B, XHP-BLT, XXP-A, XXP-ALT, XXP-D3

REF	PART NO.	QTY	DESCRIPTION	NOTES
1	3862841	2	Pipe	
2	3863443	8	Clamp	
3	3852696	1	Exhaust hose	
4	3863189	2	Exhaust pipe	
5	3863442	8	Clamp	
6	3863450	2	Bellows	
7	3860821	1	Exhaust pipe	
8	3862519	1	Bracket	
9	3862518	1	Mounting strap	
10	965220	5	Flange screw	
11	944633	2	Washer	
12	971098	5	Flange lock nut	
13	3862895	1	Exhaust pipe flange	
14	3587651	1	· Sealing kit	
15	853012	4	Hose clamp	
16	3862564	1	Hose, exhaust	CUT TO LENGTH
17	3862506	1	Exhaust pipe flange	
18	3841928	4	Flange screw	3/8" UNC
	946752	4	Flange screw	M10
19	3587651	1	Sealing kit	

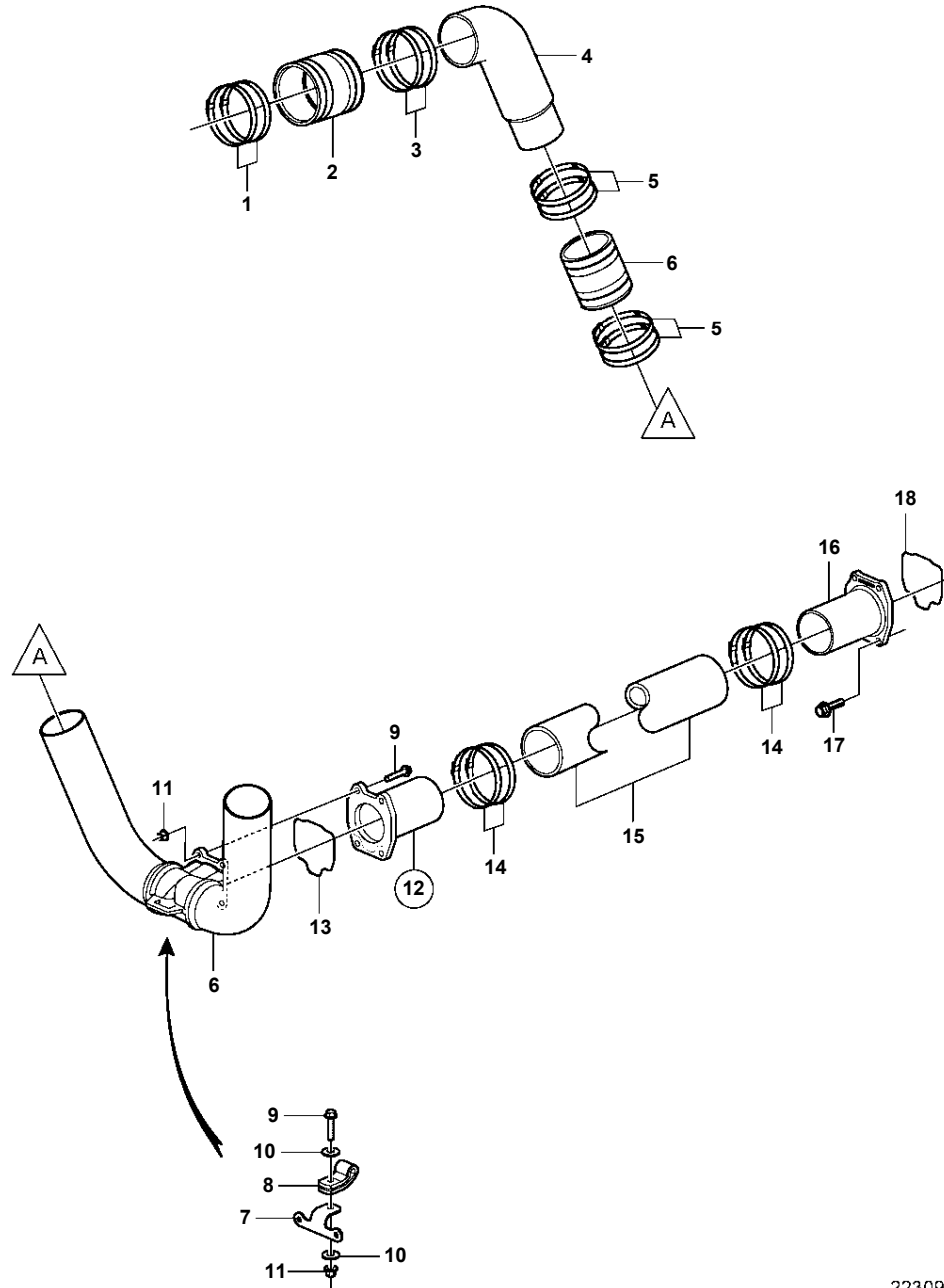
XHP-B, XHP-BLT



XHP-B, XHP-BLT

REF	PART NO.	QTY	DESCRIPTION	SEE SEC.	NOTES
1	3863443	8	Hose clamp		
2	3852696	1	Hose		
3	3863189	2	Elbow		
4	3863442	8	Hose clamp		
5	3852742	2	Hose		
6	(3860821)	1	Exhaust pipe		Obsolete part
7	(3862519)	1	Bracket		Obsolete part
8	(3862518)	1	Strap		Obsolete part
9	965220	5	Flange screw		
10	944633	2	Washer		
11	971098	5	Flange lock nut		
12	3862895	1	Tube		
13	3587651	1	• Kit		
			• Bulletin P-25-2-2	P-25-2-2-EN	Y-pipe seal, gas engines
14	853012	4	Hose clamp		
15	3862564	1	Hose, exhaust		Cut to length
16	3862506	1	Exhaust pipe flange		
17	3841928	4	Flange screw		3/8" UNC
	946752	4	Flange screw		M10
18	3587651	1	Kit		
			• Bulletin P-25-2-2	P-25-2-2-EN	Y-pipe seal, gas engines

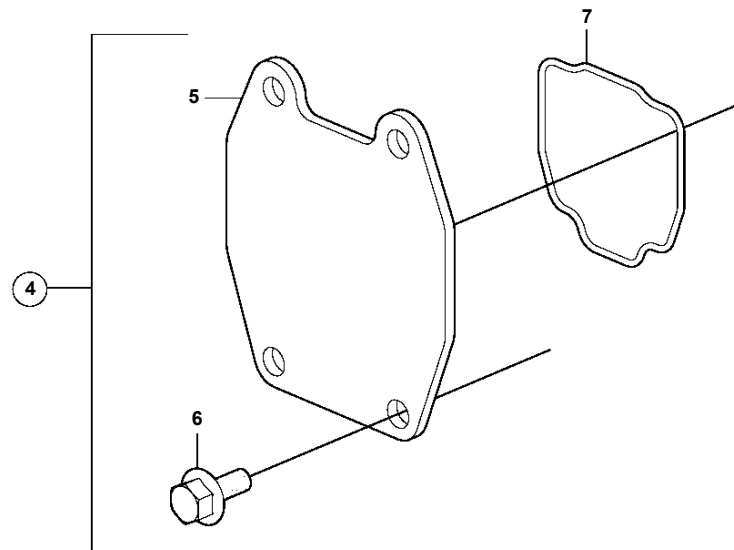
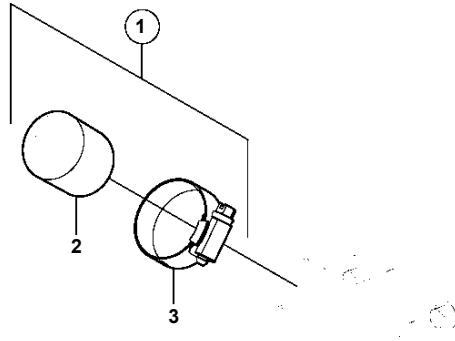
X-B, X-BLT, XHP-B, XHP-BLT, XXP-A, XXP-ALT, XXP-D3



X-B, X-BLT, XHP-B, XHP-BLT, XXP-A, XXP-ALT, XXP-D3

REF	PART NO.	QTY	DESCRIPTION	NOTES
1	3863443	8	Clamp	
2	3852696	1	Exhaust hose	
3	3863189	2	Exhaust pipe	
4	3863442	8	Clamp	
5	3852742	2	Exhaust hose	
6	3860821	1	Exhaust pipe	
7	3862519	1	Bracket	
8	3862518	1	Mounting strap	
9	965220	5	Flange screw	
10	944633	2	Washer	
11	971098	5	Flange lock nut	
12	3862895	1	Exhaust pipe flange	
13	3587651	1	· Sealing kit	
14	853012	4	Hose clamp	
15	3862564	1	Hose, exhaust	CUT TO LENGTH
16	3862506	1	Exhaust pipe flange	
17	3841928	4	Flange screw	3/8" UNC
	946752	4	Flange screw	M10
18	3587651	1	Sealing kit	

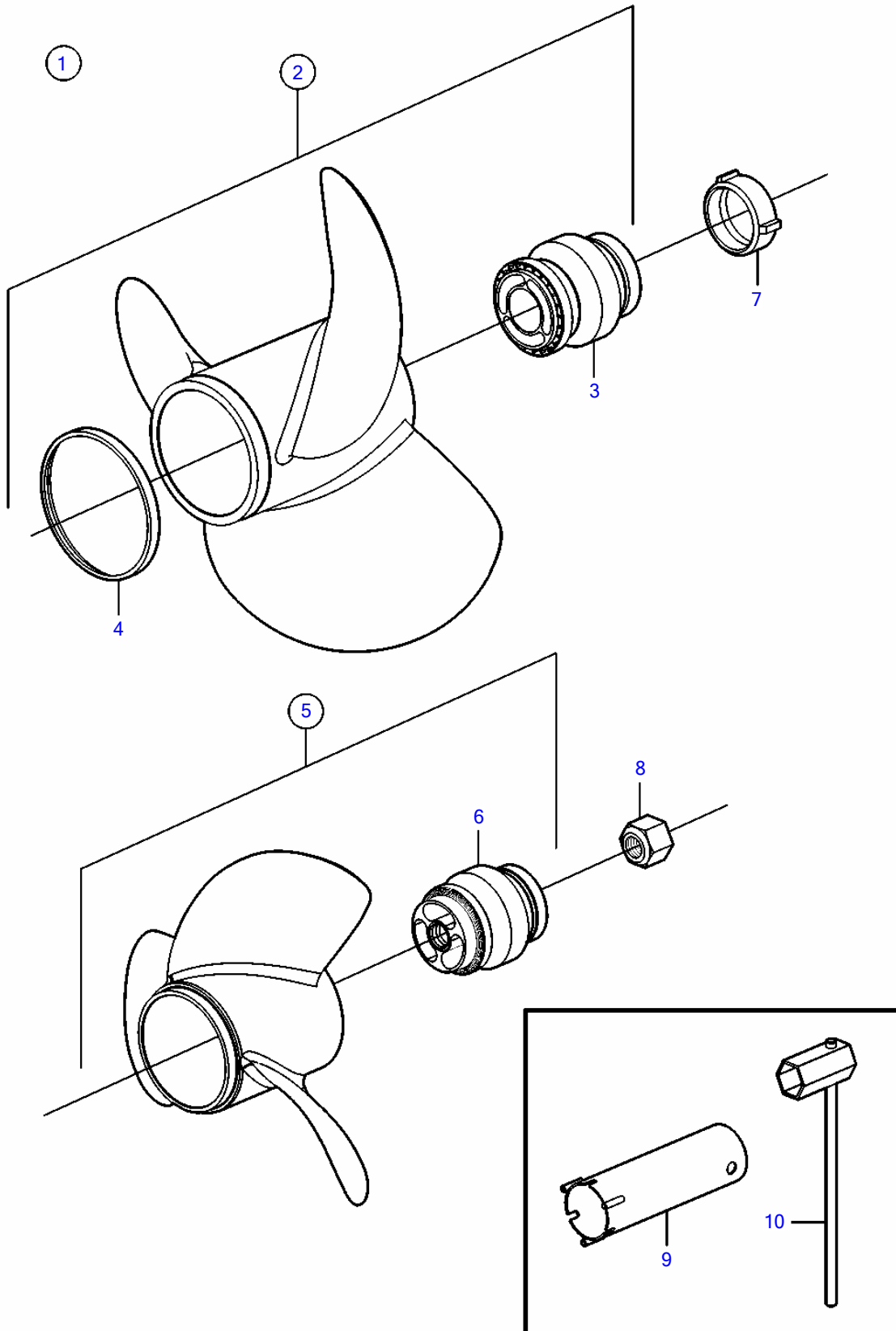
X-B, X-BLT, XHP-B, XHP-BLT, XXP-A, XXP-ALT, XXP-D3



X-B, X-BLT, XHP-B, XHP-BLT, XXP-A, XXP-ALT, XXP-D3

REF	PART NO.	QTY	DESCRIPTION
1	3862566	1	Kit
2	3852476	1	· Cap
3	3852602	2	· Clamp
4	3862582	1	Plate
5		1	· Flange
6	946441	4	· Screw
7	3860984	1	Seal

XDP-B

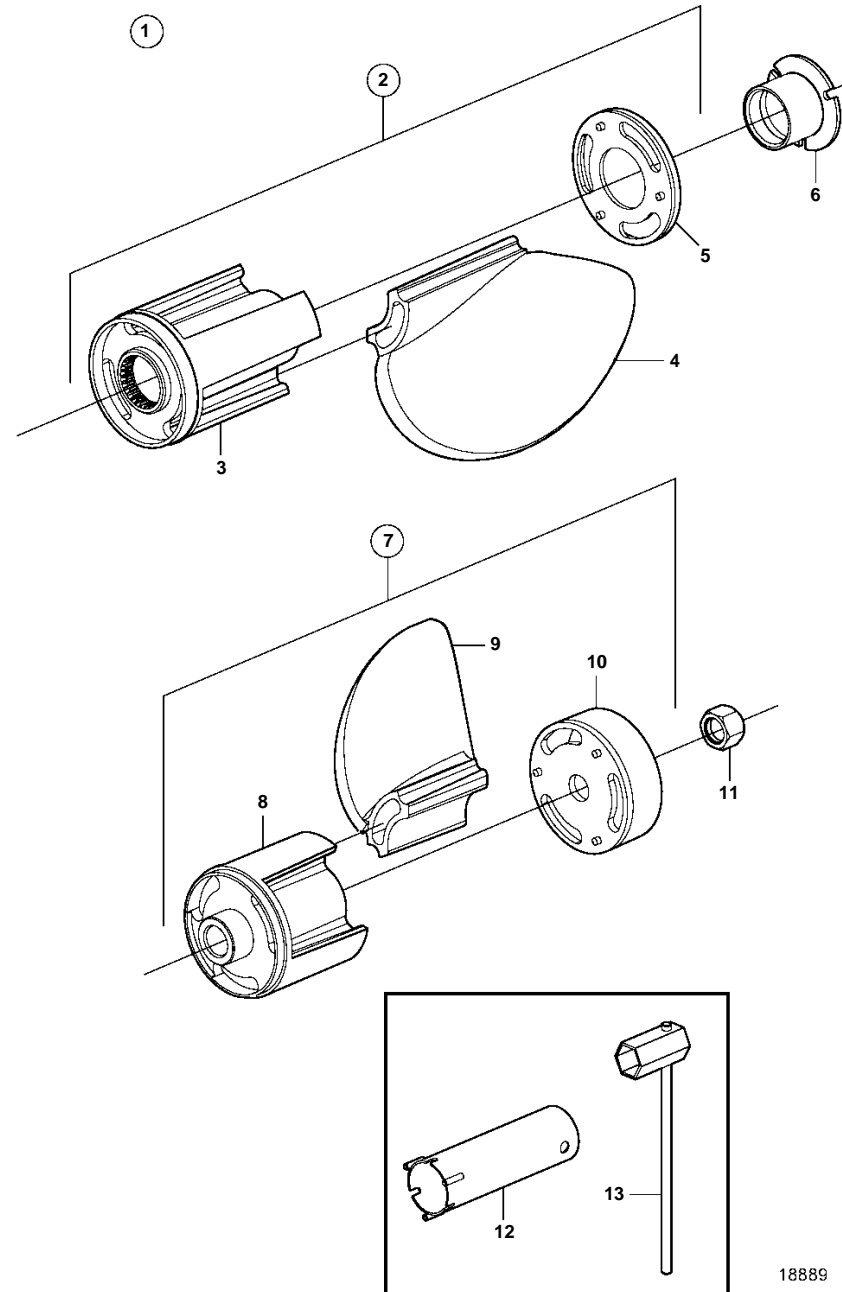


26276

XDP-B

REF	PART NO.	QTY	DESCRIPTION	NOTES
1	3857563	1	Propeller	Set, F2
	3857564	1	Propeller	Set, F3
	3851494	1	Propeller	Set, F4
	3851495	1	Propeller	Set, F5
	3851496	1	Propeller	Set, F6
	3851497	1	Propeller	Set, F7
	3851498	1	Propeller	Set, F8
	3851499	1	Propeller	Set, F9
2	3857557	1	• Propeller	Front, F2
	3857559	1	• Propeller	Front, F3
	3851464	1	• Propeller	Front, F4
	3851465	1	• Propeller	Front, F5
	3851466	1	• Propeller	Front, F6
	3851467	1	• Propeller	Front, F7
	3851468	1	• Propeller	Front, F8
	3851469	1	• Propeller	Front, F9
3	3851258	1	• • Bushing, front	
4	3851600	1	• • Ring	F7, F8, F9
5	3857558	1	• Propeller	Rear, F2
	3857560	1	• Propeller	Rear, F3
	3851474	1	• Propeller	Rear, F4
	3851475	1	• Propeller	Rear, F5
	3851476	1	• Propeller	Rear, F6
	3851477	1	• Propeller	Rear, F7
	3851478	1	• Propeller	Rear, F8
	3851479	1	• Propeller	Rear, F9
6	3851259	1	• • Bushing, rear	
7	3851569	1	Propeller nut, front	
8	3851341	1	Propeller nut, rear	replaced by next part number
	21631162	1	Propeller nut, rear	
9	3862797	1	Tool, front	
10	3862808	1	Tool, rear	

XDP-B

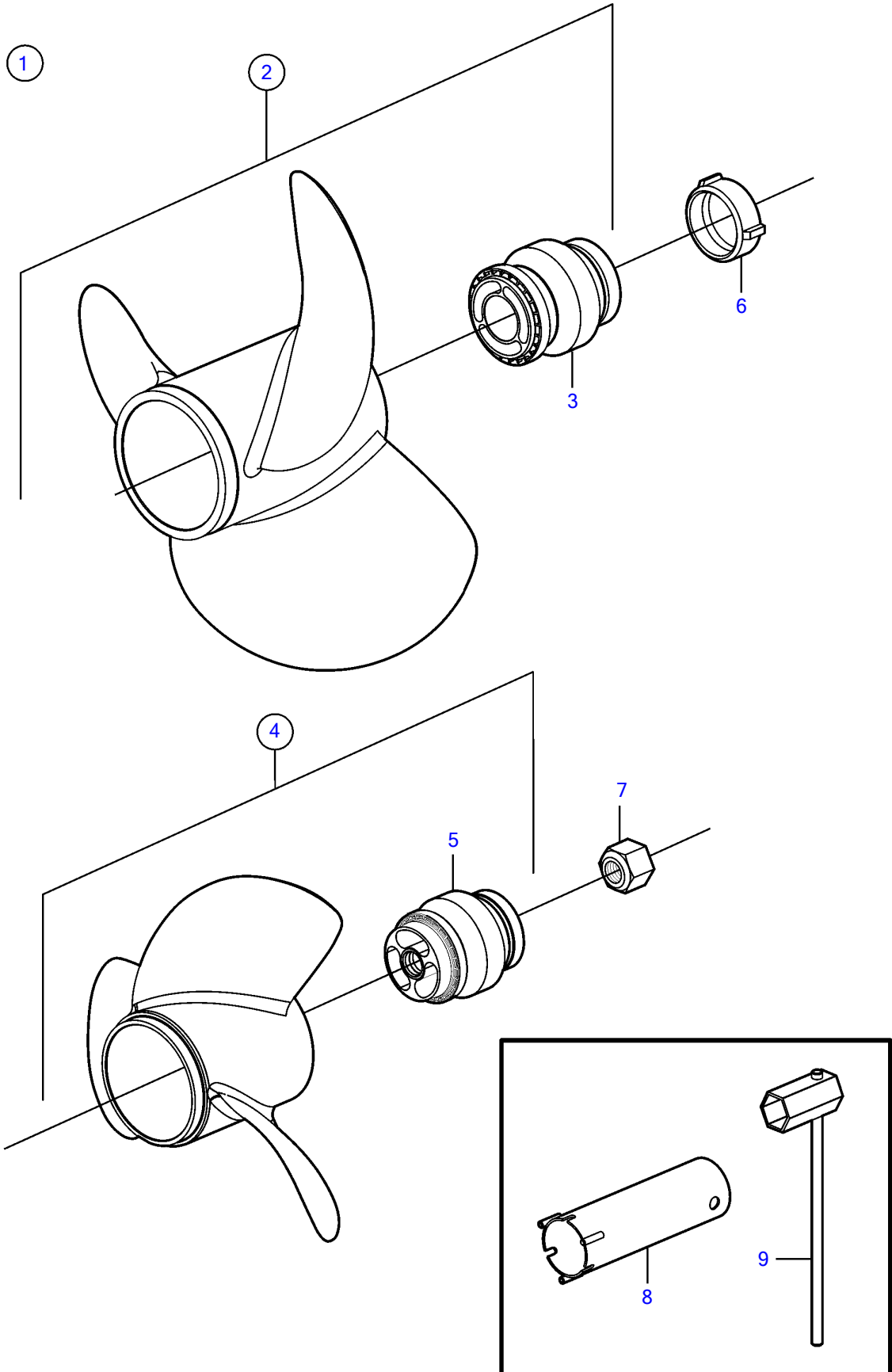


18889

XDP-B

REF	PART NO.	QTY	DESCRIPTION	SEE SEC.	NOTES
1	3807959	X	Propeller, set Bulletin P-44-7-1	P-44-7-1-EN	X2 Duoprop Propellers
1	3861626	X	Propeller, set		X3
	3861627	X	Propeller, set		X4
	3861628	X	Propeller, set		X5
	3861629	X	Propeller, set		X6
	3861630	X	Propeller, set		X7
	3861631	X	Propeller, set		X8
	3807952	X	Propeller, set		X9
2	888654	1	• Propeller, front		X2
	3861613	1	• Propeller, front		X3
	3861615	1	• Propeller, front		X4
	3861617	1	• Propeller, front		X5
	3861619	1	• Propeller, front		X6
	3861621	1	• Propeller, front		X7
	3861623	1	• Propeller, front		X8
	889562	1	• Propeller, front		X9
3		1	• • Propeller hubfront		
4	888651	3	• • Propeller blade		X2
	3861590	3	• • Propeller blade		X3
	3861592	3	• • Propeller blade		X4
	3861594	3	• • Propeller blade		X5
	3861596	3	• • Propeller blade		X6
	3861598	3	• • Propeller blade		X7
	3861600	3	• • Propeller blade		X8
	889557	3	• • Propeller blade		X9
5	3861604	1	• • Cap, front		
6	3861793	1	• Propeller nut, front		
7	888655	1	• Propeller, rear		X2
	3861614	1	• Propeller, rear		X3
	3861616	1	• Propeller, rear		X4
	3861618	1	• Propeller, rear		X5
	3861620	1	• Propeller, rear		X6
	3861622	1	• Propeller, rear		X7
	3861624	1	• Propeller, rear		X8
	889564	1	• Propeller, rear		X9
8		1	• • Propeller hubrear		
9	888652	3	• • Propeller blade		X2
	3861591	3	• • Propeller blade		X3
	3861593	3	• • Propeller blade		X4
	3861595	3	• • Propeller blade		X5
	3861597	3	• • Propeller blade		X6
	3861599	3	• • Propeller blade		X7
	3861601	3	• • Propeller blade		X8
	889559	3	• • Propeller blade		X9
10	3861605	1	• • Cap, rear		

XDP-B



18080

Upd:2014-04-22

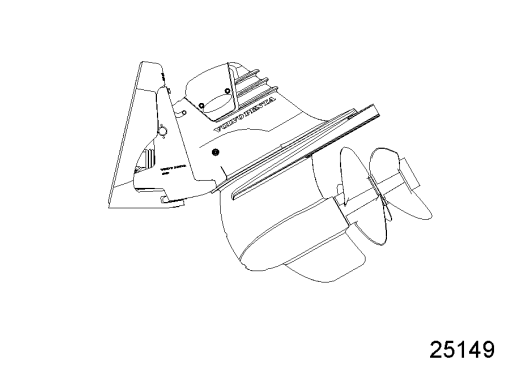
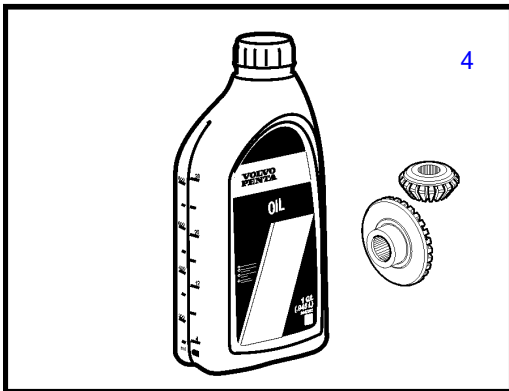
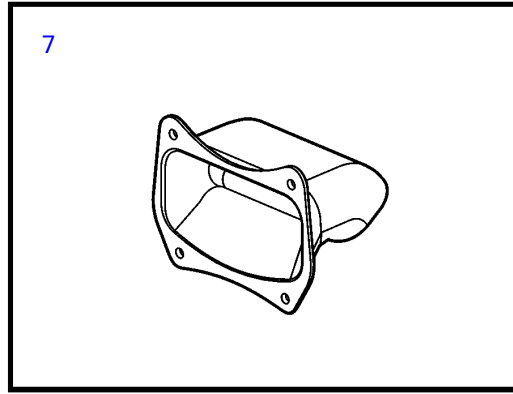
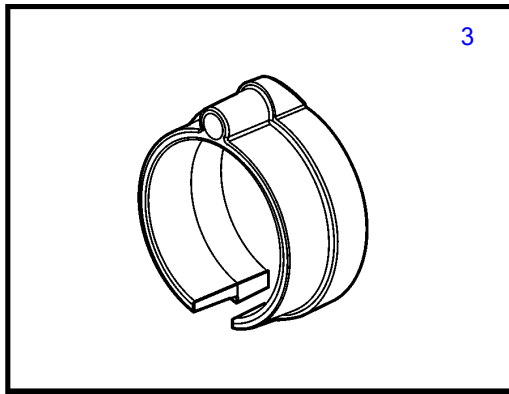
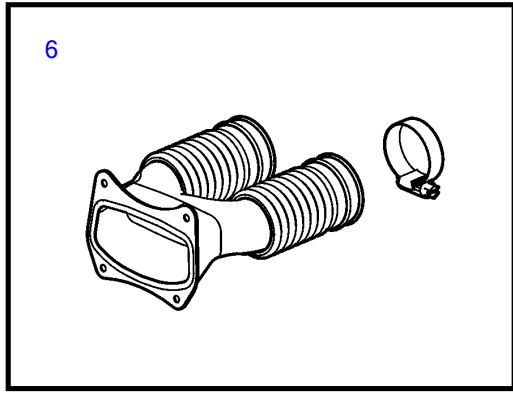
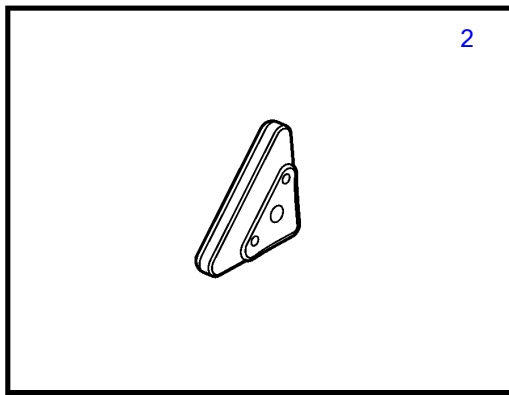
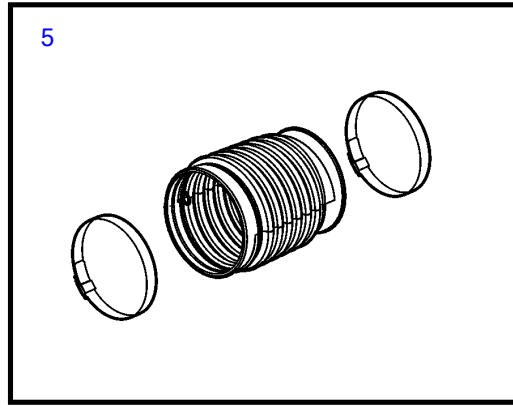
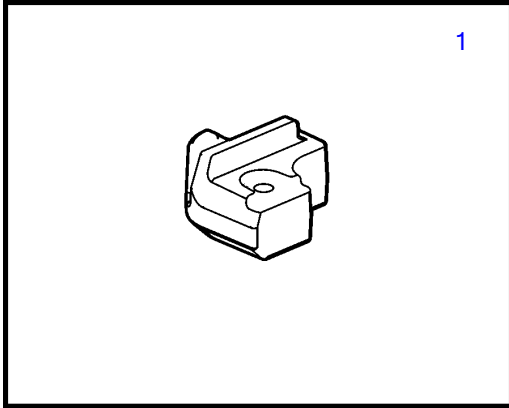
18080

7744180-44-4619

XDP-B

REF	PART NO.	QTY	DESCRIPTION	SEE SEC.	NOTES
1	(3851480)	1	Propeller		Set, D0, Obsolete part
			• Bulletin P-44-7-1	P-44-7-1-EN	Duoprop Propellers
1	(3851481)	1	Propeller		Obsolete part, Set, D1
	3851482	1	Propeller		Set, D2
	3851483	1	Propeller		Set, D3
	3851484	1	Propeller		Set, D4
	3856365	1	Propeller		Set, D5
	3856366	1	Propeller		Set, D6
	3856367	1	Propeller		Set, D7
2	3851420	1	• Propeller		Front, D0
	3851421	1	• Propeller		Front, D1
	3851422	1	• Propeller		Front, D2
	3851423	1	• Propeller		Front, D3
	3851424	1	• Propeller		Front, D4
	3856345	1	• Propeller		Front, D5
	3856346	1	• Propeller		Front, D6
	3856347	1	• Propeller		Front, D7
3	3851258	1	• • Bushing, front		
4	3851440	1	• Propeller		Rear, D0
	3851441	1	• Propeller		Rear, D1
	3851442	1	• Propeller		Rear, D2
	3851443	1	• Propeller		Rear, D3
	3851444	1	• Propeller		Rear, D4
	3856355	1	• Propeller		Rear, D5
	3856356	1	• Propeller		Rear, D6
	3856357	1	• Propeller		Rear, D7
5	3851259	1	• • Bushing, rear		
6	3851569	1	Propeller nut, front		
7	3851341	1	Propeller nut, rear		replaced by next part number
	21631162	1	Propeller nut		
8	3862797	1	Tool, front		
9	3862808	1	Tool, rear		

XDP-B



XDP-B

REF	PART NO.	QTY	DESCRIPTION	NOTES
1	3861636	1	Anode	
	3861633	1	Magnesium anode	
2	872793	1	Zinc electrode	
3	3861634	1	Anode	
	3861635	1	Anode	
4		X	Transmission oil	Fill level is determined by dipstick
		X	Transmission oil	USA
	1141679	3	Transmission oil	12x1 qt
	1141680	1	Transmission oil	4x1 gal
	1141681	1	Transmission oil	5 gal
		X	Transmission oil	Europe and other markets
	3809443	3	Transmission oil	1L
	3809442	1	Transmission oil	5L
	3809441	1	Transmission oil	20L
5	21277185	1	Bellows, u-joint	replaced by next part number
	853012	2	• Hose clamp	
6	3885871	1	Bellows, exhaust	replaced by next part number
	3885871	1	Bellows	
	3854978	2	Hose clamp	
7	3587641	1	Bellows	XXP-A, XXP-alt

XDP-B, X-B, X-BLT, XHP-B, XHP-BLT, XXP-A, XXP-ALT, XXP-D3

REF	PART NO.	QTY	DESCRIPTION	SEE SEC.	NOTES
1	3859049	1	Kit		Transom shield
	3860377	1	• Sealing		
	3860984	1	• Sealing		
			• Bulletin P-25-2-2	P-25-2-2-EN	Y-pipe seal, gas engines
1	3852537	1	• O-ring		
	942978	1	• O-ring		
	3852548	1	• Sealing		
	979874	1	• Split pin		
	3860430	2	• Washer		
	941503	1	• O-ring		
	3853376	2	• Split pin		
	3859045	2	• Split pin		
	3859050	1	Kit		XDP-B drive
	3852045	1	• O-ring		
	3862105	1	• Gasket		
	190187	1	• O-ring		
	3855081	1	• O-ring		
	3860430	2	• Washer		
	949974	1	• O-ring		
	3854480	1	• Split pin		
	925093	1	• O-ring		
	853868	1	• Sealing ring		
	3852565	2	• O-ring		
	3852272	1	• Sealing		
	925095	1	• O-ring		
	949656	1	• O-ring		
	853871	1	• Sealing ring		
	942791	3	• O-ring		
	946438	2	• O-ring		
	955981	1	• O-ring		
	851407	2	• Sealing ring		
	3852865	1	• O-ring		