

SX

El
Navegante

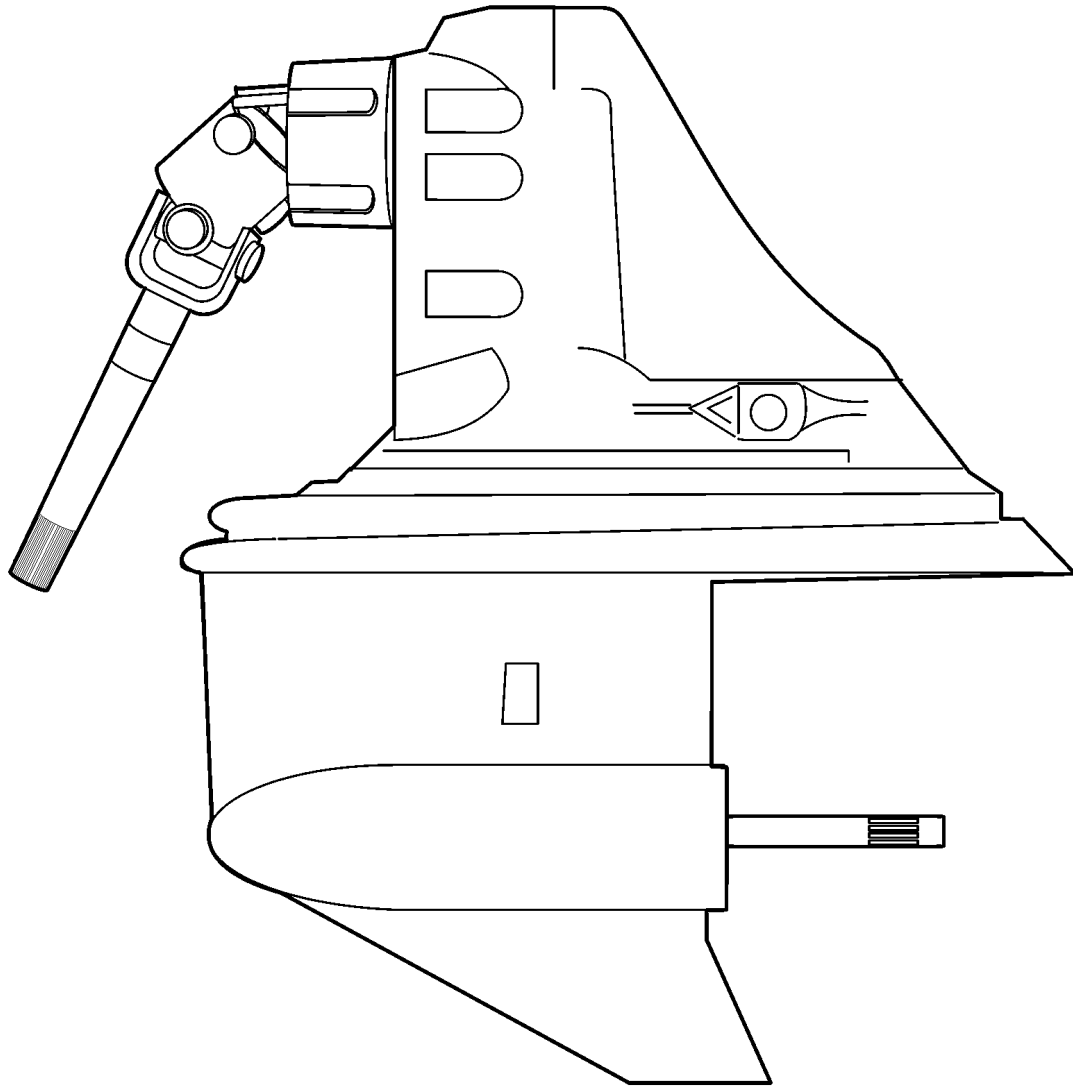


**VOLVO
PENTA**

www.repuestoselnavegante.com

SX-C, SX-C1, SX-C2, SX-CT, SX-CT1, SX-R, SX-RT1, SX-RT2

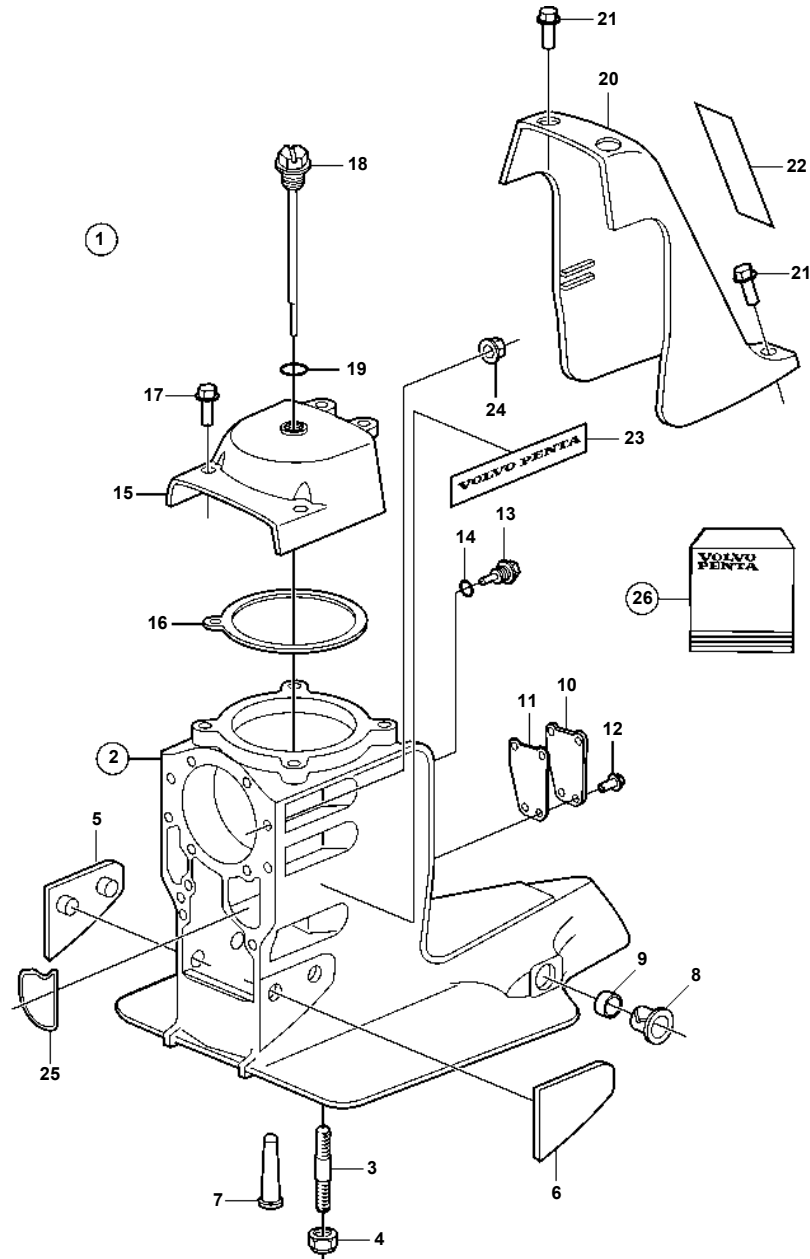
1



SX-C, SX-C1, SX-C2, SX-CT, SX-CT1, SX-R, SX-RT1, SX-RT2

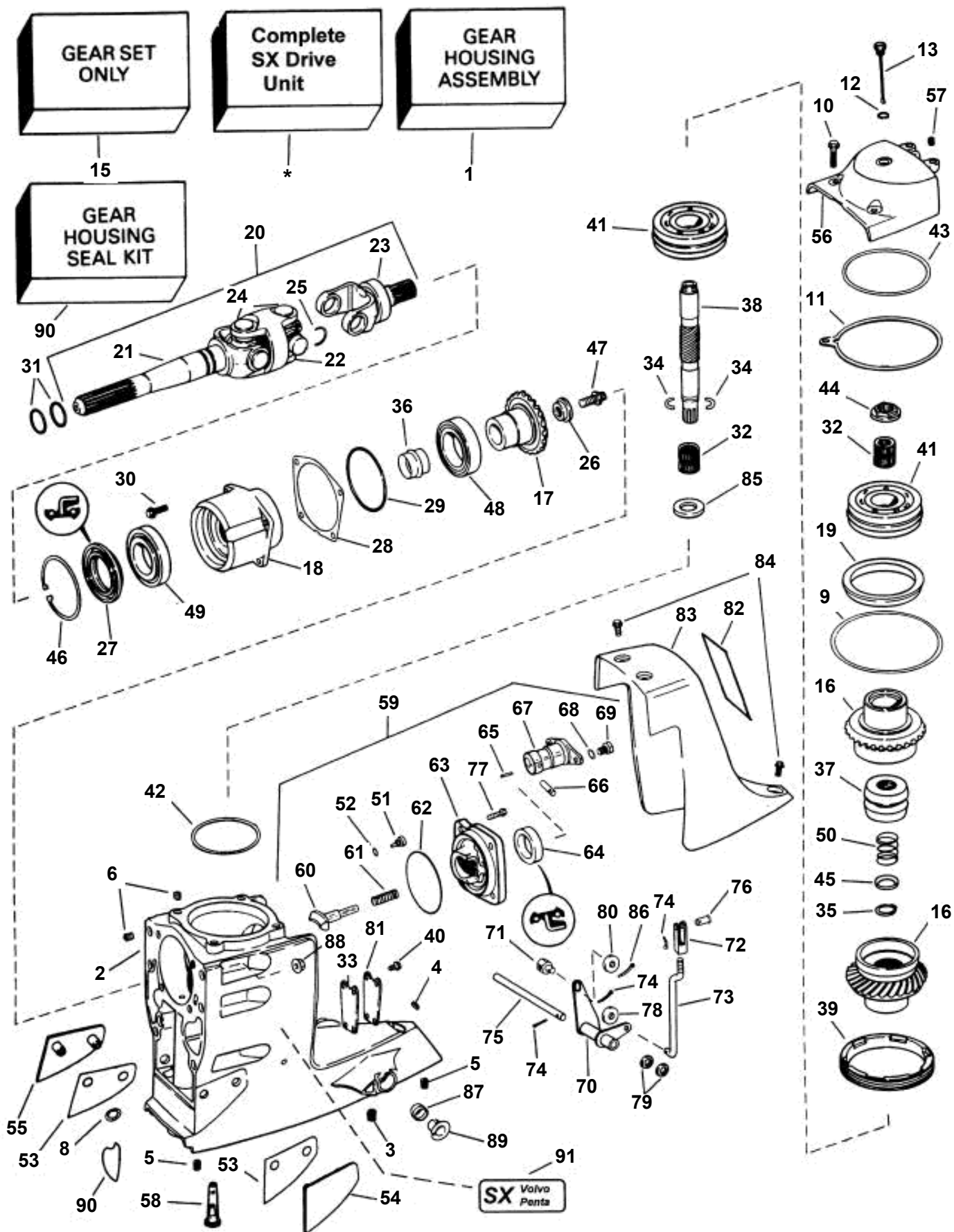
REF	PART NO.	QTY	DESCRIPTION	NOTES
1	3868208	1	Drive	SX-C, 1.43:1
	3868162	1	Drive	SX-C, 1.51:1
	3868161	1	Drive	SX-C, 1.60:1
	3868160	1	Drive	SX-C, 1.66:1
	3868159	1	Drive	SX-CT, 1.85:1
	3868286	1	Drive	SX-R, 1.66:1
	3868392	1	Drive	SX-C1, 1.43:1
	3868393	1	Drive	SX-C1, 1.51:1
	3868394	1	Drive	SX-C1, 1.60:1
	3868395	1	Drive	SX-C1, 1.66:1
	3868465	1	Drive	SX-C1, 1.85:1
	3868396	1	Drive	SX-CT1, 1.85:1
	3868397	1	Drive	SX-CT1, 1.97:1
	3868333	1	Drive	SX-RT1, 2.18:1
	3868398	1	Drive	SX-RT1, 1.66:1
	3868581	1	Drive	SX-C2, 1.43:1
	3868582	1	Drive	SX-C2, 1.51:1
	3868858	1	Drive	SX-C2, 1.60:1
	3868583	1	Drive	SX-C2, 1.66:1
	3868584	1	Drive	SX-C2, 1.79:1
	3868585	1	Drive	SX-C2, 1.89:1
	3868586	1	Drive	SX-CT2, 1.97:1
	(3868816)	1	Drive	Obsolete part, SX-C2, 2.18:1
	3868587	1	Drive	SX-RT2, 1.66:1
	(3868818)	1	Drive	Obsolete part, SX-RT2, 1.79:1
	3868588	1	Drive	SX-RT2, 2.18:1

SX-M1 2.18, SX-M1 1.97, SX-M1 1.89, SX-M1 1.79



SX-M1 2.18, SX-M1 1.97, SX-M1 1.89, SX-M1 1.79

REF	PART NO.	QTY	DESCRIPTION	NOTES
1	3857010	1	Upper gear unit	COMPLETE
2	3855775	1	Gear housing	
3	941814	4	· Stud	DP-S. Included in gear housing assembly, used for DP-S.
4	941885	4	· Nut	Included in gear housing assembly, used for DP-S.
5	3589524	1	Plate	
6	3589522	1	Plate	
7	3854021	1	Strainer	
8	3853423	2	Bushing	
9	3853424	2	Grommet	
10	3812478	1	Plate	
11	3812476	1	Gasket	
12	3852373	4	Screw	
13	3854539	1	Plug	
14	3855081	1	· O-ring	
15	3854401	1	Bearing cover	
16	3852317	1	Gasket	
17	3852454	4	Screw	
18	3854847	1	Oil dipstick	
19	3852045	1	O-ring	
20	3852418	1	Cover	
21	3852568	3	Screw	
22	3858670	1	Decal	Volvo Penta SX
23	3858671	2	Decal	Volvo Penta
24	3853329	6	Nut	
25	3852560	1	Seal	
26	3850594	1	Sealing kit	



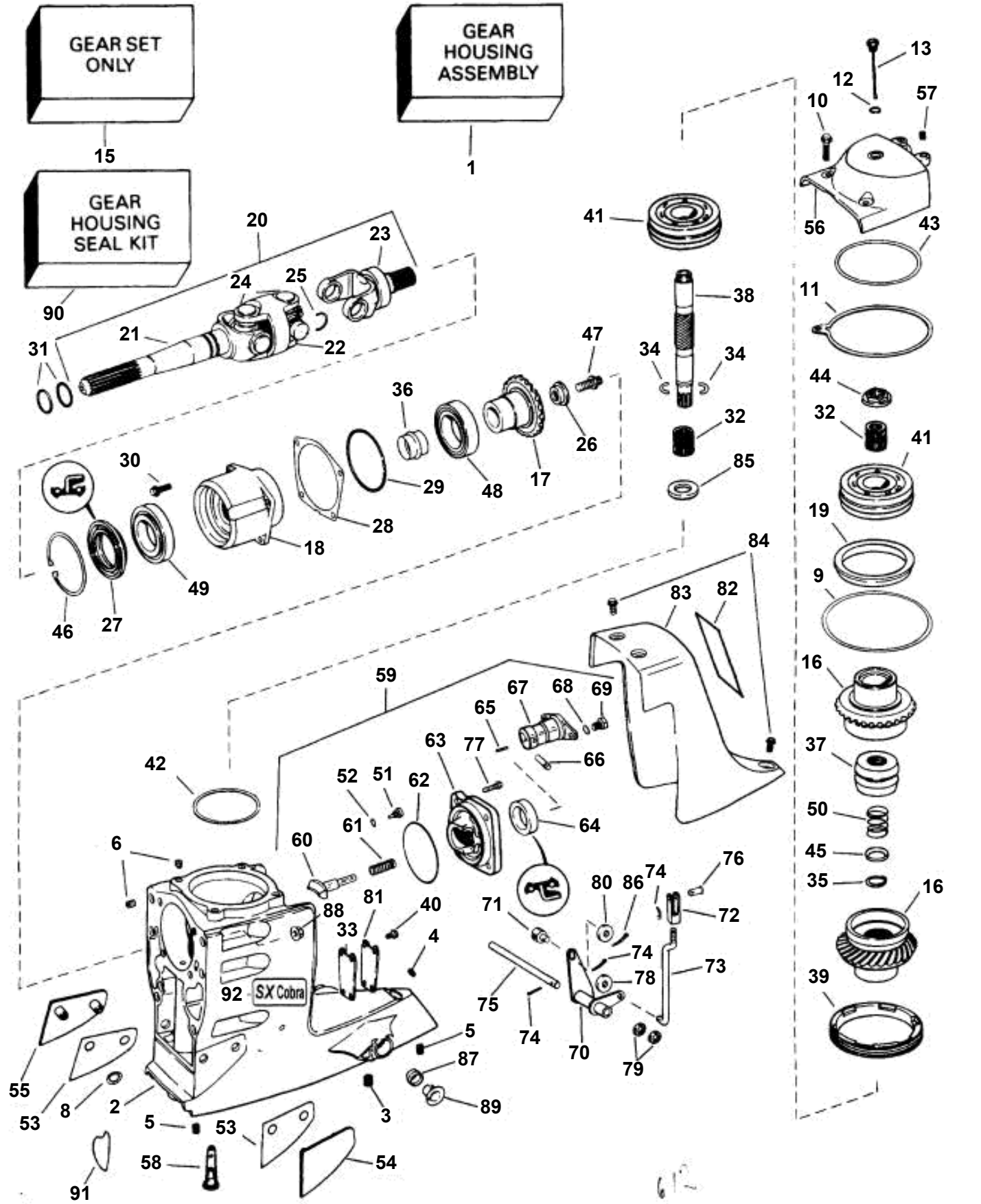
SX - UPPER GEAR UNIT

REF	PART NO.	QTY	DESCRIPTION	SEE SEC.	NOTES
	3868068	1	Drive, Complete Assy., 5.7GL,1.60:1		
1	3854378	1	Gear housing		
2	3854384	1	• Gear housing		
3	3852541	1	• • Insert, Threaded, 7/16-14		
4	3852567	1	• • Thread insert, Threaded, 5/16-18, short		
5	3852515	5	• • Thread insert, Threaded, 3/8-16		
6	3852513	8	• • Thread insert, Threaded, 5/16-18		
8	3852516	4	• Ring retainer, Thrust plate		
9	3852363	X	• Shim, Upper bearing, 0.002 in		
	3852364	X	• Shim, Upper bearing, 0.003 in		
	3852365	X	• Shim, Upper bearing, 0.004 in		
	3852366	X	• Shim, Upper bearing, 0.005 in		
	3852367	X	• Shim, Upper bearing, 0.010 in		
10	3850629	4	• Screw, Top cover		
11	3852317	1	• Gasket, Top cover		Contents of Upper Gear Unit Seal Kit
12	3852045	1	• O-ring, Oil fill plug		Contents of Upper Gear Unit Seal Kit
13	3852297	1	• Oil dipstick, Oil indicator		
15	3852396	1	• Gear set, Pinion & drive gears		
16		2	• • DRIVE GEAR		
17		1	• • PINION GEAR		
18	3852267	1	• Bearing carrier, Pinion		
19	3852269	1	• Support ring, Upper bearing support		
20	3852384	1	• Universal joint		
			• Bulletin P-44-1-5	P-44-1-5-EN	U-joints
21	3850815	1	• • Yoke, Yoke		
22	3850813	1	• • Intermediate section		
23	3850814	1	• • Yoke, Yoke		
24	3850812	2	• • Spider		
25	3850757	4	• • • Lock clip, U-joint		
26	3852310	1	• Washer, Pinion gear		
27	3852272	1	• Seal, U-joint to bearing carrier		Contents of Upper Gear Unit Seal Kit
28	3852355	X	• Adjusting washer, Bearing carrier, 0.003 in		
	3852356	X	• Adjusting washer, Bearing carrier, 0.004 in		
	3852357	X	• Adjusting washer, Bearing carrier, 0.005 in		
	3852358	X	• Adjusting washer, Bearing carrier, 0.010 in		
29	3852308	1	• O-ring, Bearing carrier		Contents of Upper Gear Unit Seal Kit
30	3852454	4	• Screw, Bearing carrier		
31	3852565	2	• O-ring, U-joint		Contents of Upper Gear Unit Seal Kit
32	3852390	2	• Needle bearing, Drive gear		
33	3852279	1	• Gasket, Water passage		Contents of Upper Gear Unit Seal Kit
34	3852295	1	• Lock ring, Upper driveshaft		
35	3852299	1	• Snap ring, Spring		
36	3852304	1	• Sleeve, Pretension		
37	3852293	1	• Sliding sleeve		
			• Bulletin P-44-1-8	P-44-1-8-EN	Shift mechanism, shift cone and shoe
38	3852292	1	• Shaft, Upper		
39	3852262	1	• Retainer, Bearing retainer		
40	3852373	4	• Screw, Water passage		
41	3852389	2	• Ball bearing, Drive gear		
42	3852368	X	• Adjusting washer, Lower bearing, 0.002 in		
	3852369	X	• Adjusting washer, Lower bearing, 0.003 in		
	3852370	X	• Adjusting washer, Lower bearing, 0.004 in		
	3852371	X	• Adjusting washer, Lower bearing, 0.005 in		
	3852372	X	• Adjusting washer, Lower bearing, 0.010 in		
43	3852368	X	• Adjusting washer, Upper cover, 0.002 in		
	3852369	X	• Adjusting washer, Upper cover, 0.003 in		
	3852370	X	• Adjusting washer, Upper cover, 0.004 in		
	3852371	X	• Adjusting washer, Upper cover, 0.005 in		
	3852372	X	• Adjusting washer, Upper cover, 0.010 in		
44	3852301	X	• Nut, Upper driveshaft, 0.000 in		
	3852302	X	• Nut, Upper driveshaft, 0.008 in		
	3852303	X	• Nut, Upper driveshaft, 0.016 in		
	3852375	X	• Nut, Upper driveshaft, 0.024 in		
45	3852298	1	• Washer, Spring		

SX - UPPER GEAR UNIT

REF	PART NO.	QTY	DESCRIPTION	SEE SEC.	NOTES
46	3852307	1	· Lock ring, Seal		
47	3852309	1	· Screw, Pinion gear retainer		
48	3850852	1	· Bearing, Pinion to inner carrier		
49	3850853	1	· Bearing, Pinion to outer carrier		
50	3852296	1	· Spring, Clutch cone to shaft		
51	3854539	1	· Plug, Oil plug		
52	3855081	1	· · O-ring, Oil plug 1(J)		Contents of Upper Gear Unit Seal Kit
53	3852563	X	· Adjusting washer, Thrust plate, 0.015 in		
54	3852561	1	· Thrust plate, Thrust, port		
55	3852562	1	· Thrust plate, Thrust, starboard		
56	3852388	1	· Cover, Upper gearcase, top		
57	3852567	2	· · Thread insert, Threaded, V,6-18		
58	3854021	1	· Strainer, Oil sump		
59	3852410	1	· Shift mechanism		
60	839646	1	· · Dog		
61	814184	1	· · Spring, Shift shoe		
62	925093	1	· · O-ring, Shift actuator		Contents of Upper Gear Unit Seal Kit
63	839505	1	· · Bearing housing, Shift actuator		
64	853858	1	· · Sealing ring, Shift actuator		Contents of Upper Gear Unit Seal Kit
65	951924	1	· · Tensioning din, Tension		
66	942871	1	· · Pin, Eccentric piston		
67	897816	1	· · Eccentric piston		
			· · Bulletin P-44-1-7	P-44-1-7-EN	Shift mechanism, eccentric piston
68	897871	X	· · Adjusting washer, Shift shoe		
69	897711	1	· · Screw, Shift shoe stop		
70	3852276	1	· Gear yoke, Shift		
71	3852329	1	· Cube, Cable to bellcrank		
72	3852328	1	· Fork, Shift link		
73	3852278	1	· Link rod, Bellcrank to piston		
74	3854480	3	· Pin, Cotter		
75	3852277	1	· Pin, Bellcrank		
76	3852330	1	· Clevis pin, Shift link to piston		
77	3852353	4	· Screw, Shift housing		
78	3852049	1	· Washer, Shift		
79	3852193	2	· Washer, Bellcrank		
80	3852083	1	· Washer, Shift link		
81	3852280	1	· Plate, Water passage		
82	3851029	1	· Decal, Cover, 5.7GL		
83	3852418	1	· Cover, Shift mechanism		
84	3852568	3	· Screw, Cover		
85	3852294	1	· Ring, Spacer		
86	3853423	2	Bushing, Pivot pin		
87	3853424	2	Grommet, Pivot pin bushing		
88	3853329	6	Nut, Drive to pivot housing		
89	3850594	1	Sealing kit		
90	3852560	1	Seal, Water passage		Contents of Upper Gear Unit Seal Kit
91	3850634	1	Decal, SX, port		
	3850635	1	Decal, SX, stb		
92		X	DURAPLUS, Synthetic gear lube		
	3810106	1	Lubricating oil		
	3810107	1	Lubricating oil		
	3810108	1	Lubricating oil		

UPPER GEAR UNIT



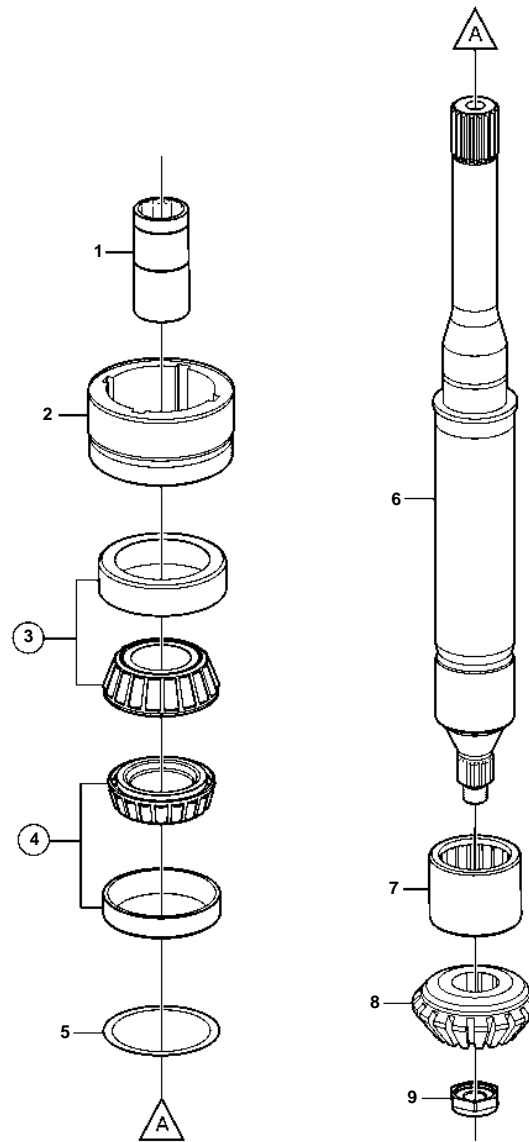
UPPER GEAR UNIT

REF	PART NO.	QTY	DESCRIPTION	SEE SEC.	NOTES
	3868159		Drive, Complete assembly, 1.85:1		
1	3855103	1	Upper gear unit		
2	3855102		• Gear housing		
3	3852541	1	• • Insert, Threaded, 1/16-14		
4	3852567	1	• • Thread insert, Threaded, 5/1618, short		
5	3852515	5	• • Thread insert, Threaded, 3/8-16		
6	3852513	8	• • Thread insert, Threaded, 5/16-18		
8	3852516	4	• Ring retainer, Thrust plate		
9	3852363	X	• Shim, Upper bearing, 0.002 in		
	3852364	X	• Shim, Upper bearing, 0.003 in		
	3852365	X	• Shim, Upper bearing, 0.004 in		
	3852366	X	• Shim, Upper bearing, 0.005 in		
	3852367	X	• Shim, Upper bearing, 0.010 in		
10	3850629	4	• Screw, Top cover		
11	3852317	1	• Gasket, Top cover		Contents of uppe^ gear housing seal kit
12	3852045	1	• O-ring, Oil fill plug		Contents of uppe^ gear housing seal kit
13	3854847	1	• Oil dipstick, Oil indicator		
15	3851505	1	• Gear set, Pinion & drive gears		
16		2	• • Drive gear		
17		1	• • Pinion gear		
18	3852267	1	• Bearing carrier, Pinion		
19	3852269	1	• Support ring, Upper bearing support		
20	3852384	1	• Universal joint		
			• Bulletin P-44-1-5	P-44-1-5-EN	U-joints
21	3850815	1	• Yoke, Yoke		
22	3850813	1	• • Intermediate section		
23	3850814	1	• • Yoke, Yoke		
24	3850812	2	• • Spider		
25	3850757	4	• • Lock clip, U-joint		
26	3852310	1	• Washer, Pinion gear		
27	3852272	1	• Seal, U joint to bearing carrier		Contents of uppe^ gear housing seal kit
28	3852355	X	• Adjusting washer, Bearing carrier, 0.003 in		
	3852356	X	• Adjusting washer, Bearing carrier, 0.004 in		
	3852357	X	• Adjusting washer, Bearing carrier, 0.005 in		
	3852358	X	• Adjusting washer, Bearing carrier, 0.010 in		
29	3852308	1	• O-ring, Bearing carrier		Contents of uppe^ gear housing seal kit
30	3852454	4	• Screw, Bearing carrier		
31	3852565	2	• O-ring, U joint		
32	3852390	2	• Needle bearing, Drive gear		
33	3852279	1	• Gasket, Water passage		Contents of uppe^ gear housing seal kit
34	3852295	1	• Lock ring, Upper driveshaft		
35	3852299	1	• Snap ring, Spring		
36	3852304	1	• Sleeve, Pretension		
37	873312	1	• Sliding sleeve		
			• Bulletin P-44-1-8	P-44-1-8-EN	Shift mechanism, shift cone and shoe
38	3852292	1	• Shaft, Upper		
39	3852262	1	• Retainer, Bearing retainer		
40	3852373	4	• Screw, Water passage		
41	3852389	2	• Ball bearing, Drive gear		
42	3852368	X	• Adjusting washer, Lower bearing, 0.002 in		
	3852369	X	• Adjusting washer, Lower bearing, 0.003 in		
	3852370	X	• Adjusting washer, Lower bearing, 0.004 in		
	3852371	X	• Adjusting washer, Lower bearing, 0.005 in		
	3852372	X	• Adjusting washer, Lower bearing, 0.010 in		
43	3852368	X	• Adjusting washer, Upper cover, 0.002 in		
	3852369	X	• Adjusting washer, Upper cover, 0.003 in		
	3852370	X	• Adjusting washer, U er cover, 0.004 in		
	3852371	X	• Adjusting washer, Upper cover, 0.005 in		
	3852372	X	• Adjusting washer, Upper cover, 0.010 in		
44	3852301	X	• Nut, Upper driveshaft, 0.000 in		
	3852302	X	• Nut, Upper driveshaft, 0.008 in		
	3852303	X	• Nut, Upper driveshaft, 0.016 in		
	3852375	X	• Nut, Upper driveshaft, 0.024 in		
45	3852298	1	• Washer, Spring		

UPPER GEAR UNIT

REF	PART NO.	QTY	DESCRIPTION	SEE SEC.	NOTES
46	3852307	1	· Lock ring, Seal		
47	3852309	1	· Screw, Pinion gear retainer		
48	3850852	1	· Bearing, Pinion to inner carrier		
49	3850853	1	· Bearing, Pinion to outer carrier		
50	3852296	1	· Spring, Clutch cone to shaft		
51	3854539	1	· Plug, Oil plug		
52	3855081	1	O-ring, Oil plug		Contents of uppe^ gear housing seal kit
53	3852563	X	· Adjusting washer, Thrust plate, 0.015 in		
54	3852561	1	· Thrust plate, Thrust, port		
55	3852562	1	· Thrust plate, Thrust, starboard		
56	3854401	1	· Bearing cover, Upper gear unit		
57	3852513	2	· · Thread insert, Threaded, 5/16-18		
58	3854021	1	· Strainer, Oil sump		
59	839504	1	· Shift mechanism		
60	814603	1	· · Dog		
61	814184	1	· · Spring, Shift shoe		
62	925093	1	· · O-ring, Shift actuator		Contents of uppe^ gear housing seal kit
63	873291	1	· · Sealing ring, Shift actuator		
64	853868	1	· · Sealing ring, Shift actuator		Contents of uppe^ gear housing seal kit
65	951924	1	· · Tensioning din, Tension		
66	942871	1	· · Pin, Eccentric piston		
67	897816	1	· · Eccentric piston		
			· · Bulletin P-44-1-7	P-44-1-7-EN	Shift mechanism, eccentric piston
68	897871	X	· · Adjusting washer, Shift shoe		
69	897711	1	· · Screw, Shift shoe stop		
70	3852276	1	· Gear yoke, Shift		
71	3852329	1	· Cube, Cable to bellcrank		
72	3852328	1	· Fork, Shift link		
73	3852278	1	· Link rod, Bellcrank to piston		
74	3854480	3	· Pin		
75	3852277	1	· Pin, Bellcrank		
76	3852330	1	· Clevis pin, Shift link to piston		
77	3852353	4	· Screw, Shift housing		
78	3852184	1	· Washer, Shift		
79	3852193	2	· Washer, Bellcrank		
80	3852083	2	· Washer, Shift link		
81	3852280	1	· Plate, Waterpassage		
82	3855356	1	· Decal, Cover		
83	3852418	1	· Cover, Shift mechanism		
84	3852568	3	· Screw, Cover		
85	3852294	1	· Ring, Spacer		
86	3854480	1	· Pin, Shift cable		
87	3853423	2	Bushing, Pivot pin		
88	3853329	6	Nut, Drive to pivot housing		
89	3853424	2	Grommet, Pivot pin bushing		
90	3850594	1	Sealing kit		
91	3852560	1	Seal, Water passage		Contents of uppe^ gear housing seal kit
92	3855357	2	Decal, SX, port & starboard		
	3810106	1	Lubricating oil, 12 U.S. quarts		
	3810107	1	Lubricating oil, 4 U.S. gallons		
	3810108	1	Lubricating oil, 1 U.S. five gallon pail		

DPS-A

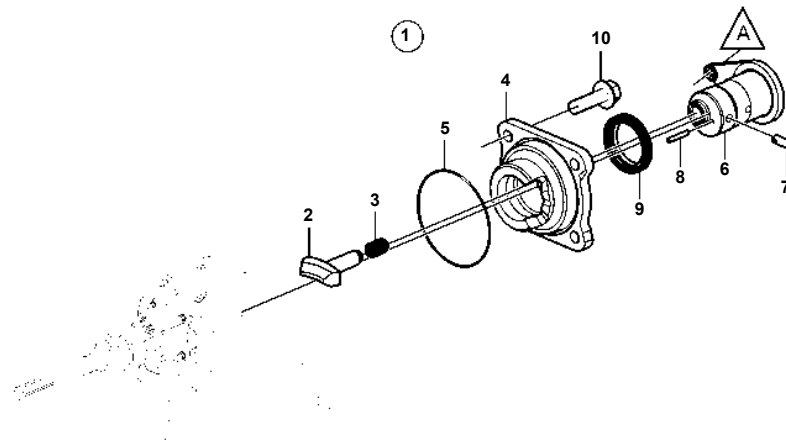
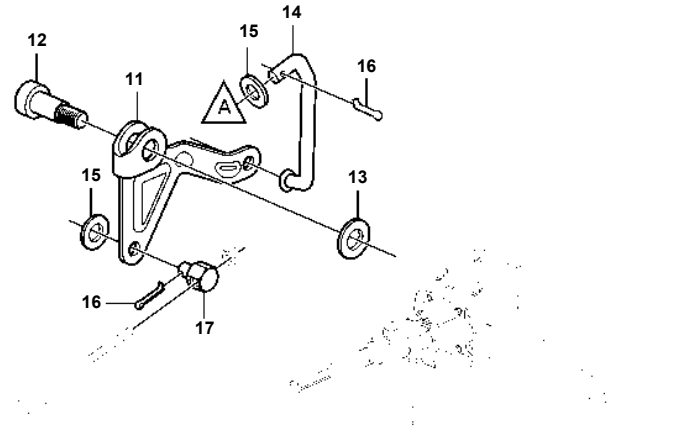


23249

DPS-A

REF	PART NO.	QTY	DESCRIPTION	NOTES
1	3852268	1	Splined sleeve	
2	3855636	1	Retainer	
3	3854250	1	Bearing	
4	3854249	1	Bearing	
5	3852889	X	Shim	TH = 0.003"
	3852890	X	Shim	TH = 0.004"
	3852891	X	Shim	TH = 0.005"
	3852892	X	Shim	TH = 0.010"
6	3841867	1	Driveshaft	NS
7	184654	1	Needle bearing	
8	3860894	1	Gear set	1.68:1
	3861861	1	Gear set	2.11:1 & 1.78:1
	3860904	1	Gear set	2.32:1 & 1.95:1
9	852212	1	Nut	

SX-A, DPS-A

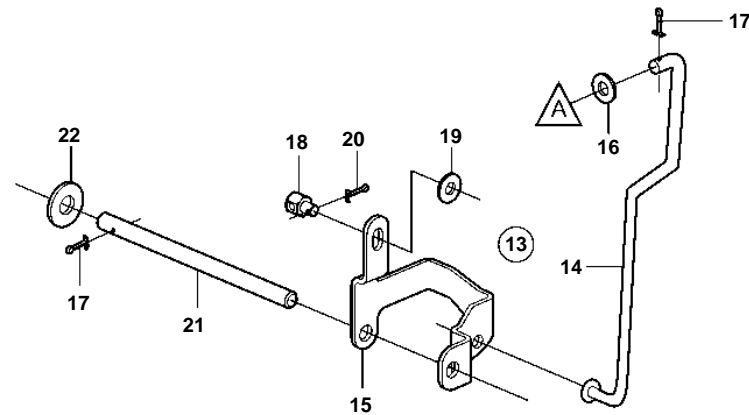
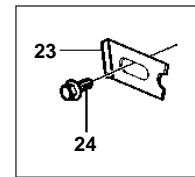
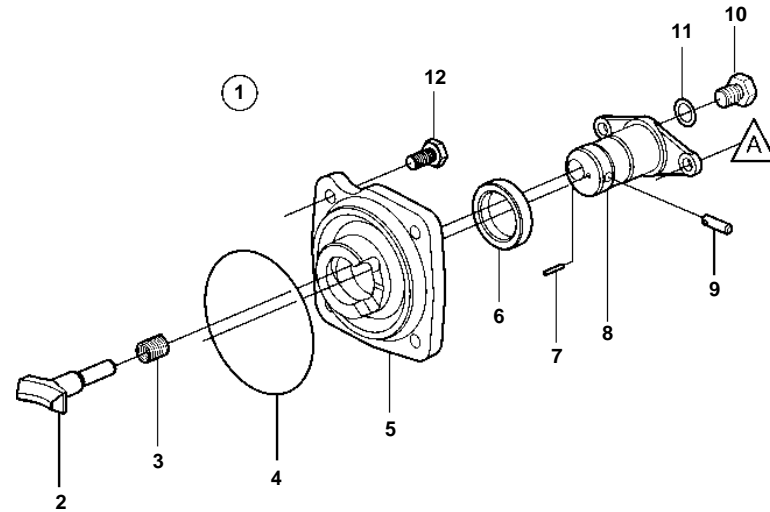


23252

SX-A, DPS-A

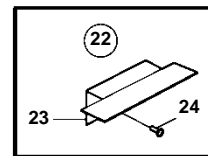
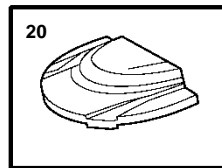
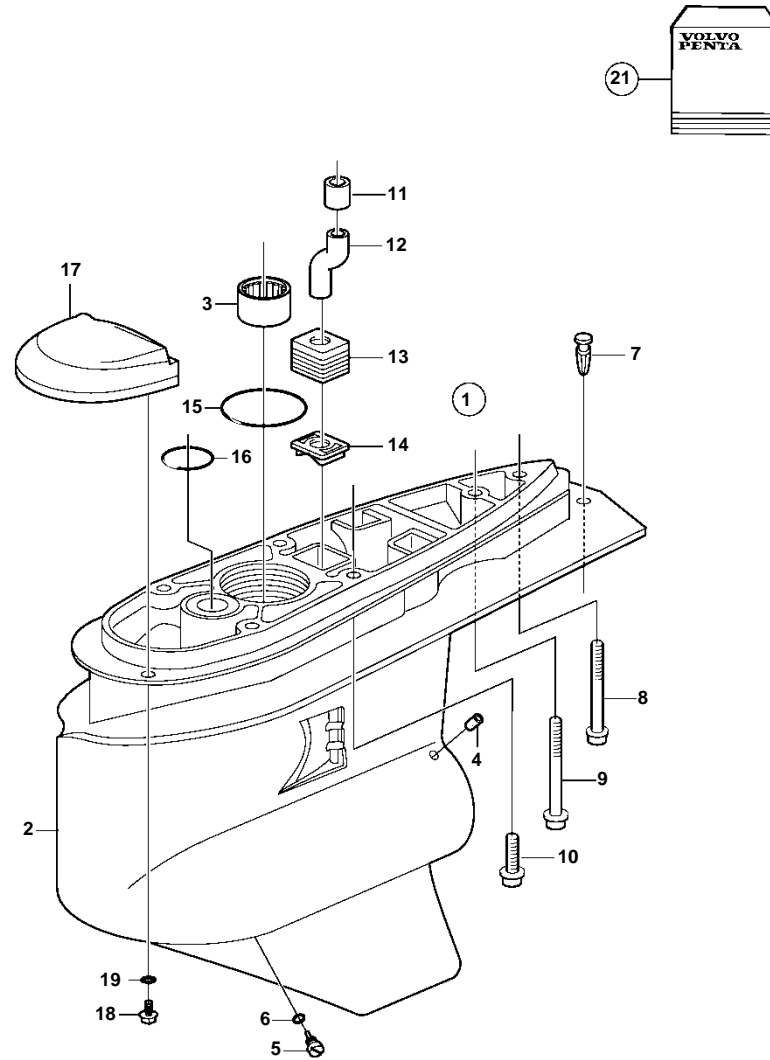
REF	PART NO.	QTY	DESCRIPTION	
1	3843471	1	Shift mechanism	
2		1	· Shoe	
3	814184	1	· Spring	
4		1	· Housing	
5	925093	1	· O-ring	
6		1	· Eccentric piston	
7	3862867	1	· Pin	
8	951936	1	· Spring pin	
9	3863085	1	· Sealing ring	
10	990859	4	Screw	
11	3841112	1	Yoke	
12	3886432	1	Screw	
13	3887872	1	Wear washer	NS
14	3888090	1	Rod	
15	3852193	2	Washer	
16	3854480	2	Cotter pin	
17	3852329	1	Cube	

SX-M1



SX-M1

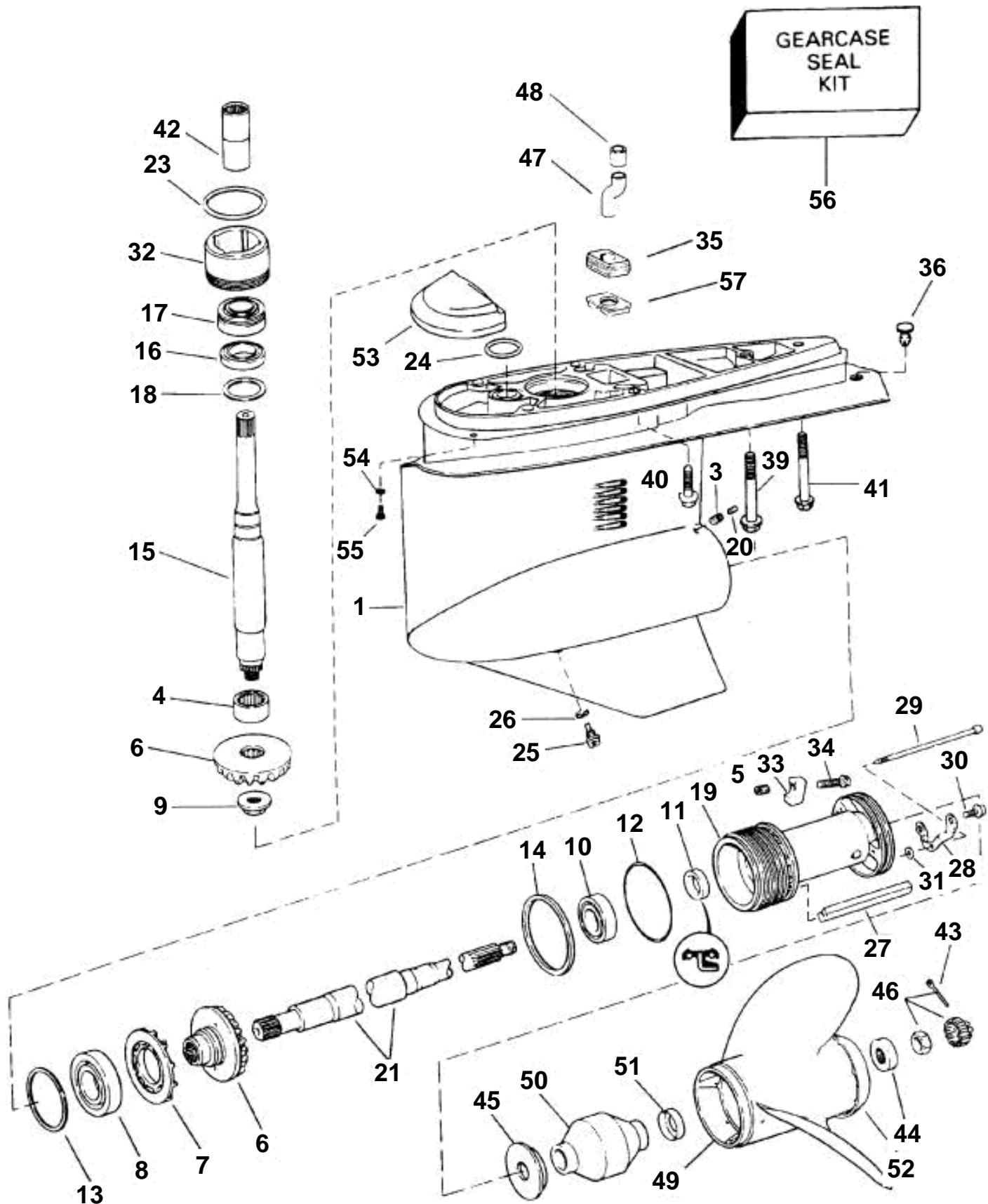
REF	PART NO.	QTY	DESCRIPTION
1	3855787	1	Shift mechanism
2	3856502	1	• Shoe
3	814184	1	• Spring
4	925093	1	• O-ring
5	3855785	1	• Bearing housing
6	853868	1	• Sealing ring
7	973593	1	• Pin
8	3856008	1	• Eccentric piston
9	942871	1	• Pin
10	897711	1	• Screw
11	897871	X	• Shim
12	3856742	4	Screw
13	3857460	1	Link rod kit
14		1	• Rod
15		1	• Bracket
16	3852193	1	Washer
17	3852052	2	Cotter pin
18	3852329	1	Cube
19	3852193	1	Washer
20	3854480	1	Cotter pin
21	3852277	1	Rod
22	3852083	1	Washer
23	3809477	1	Retainer, shift cable
24	3852006	1	Screw



SX-M1

REF	PART NO.	QTY	DESCRIPTION	SEE SEC.	NOTES
1	3855692	1	Gear under, complete		1.43:1
	3855693	1	Gear under, complete		1.51:1 & 1.79:1
	3855694	1	Gear under, complete		1.60:1 & 1.89:1
	3855695	1	Gear under, complete		1.66:1 & 1.97:1
	3855696	1	Gear under, complete		2.18:1
2	3855363	1	Gear housing		
3	3853934	1	• Roller bearing		
4	3853272	1	Screw		
5	3854539	1	Plug		
6	3855081	1	• O-ring		
7	3850662	1	Plug		
8	3854805	1	Screw		
9	3854806	1	Screw		
10	3854807	4	Screw		
11	3852315	1	Seal		
12	3860252	1	Tube		
13	3854595	1	Seal		
14	3854601	1	Retainer		
15	3852866	1	O-ring		
16	3852959	1	O-ring		
17	3855411	X	Zinc anod		
			Bulletin P-44-1-1	P-44-1-1-EN	Anodes, SX AND DP-S
17	3855412	X	Magnesium anode		
	3863193	X	Anode, aluminum		
18	3852186	2	Screw		
19	3852182	2	Lock washer		
20	3857857	X	Zinc anod		
	3857858	X	Magnesium anode		
21	3855275	X	Sealing kit		
22	3856171	X	Kit		EXHAUST BLOCK-OFF
23		2	• Bracket		
24	804269	4	• Rivet		

LOWER GEAR UNIT



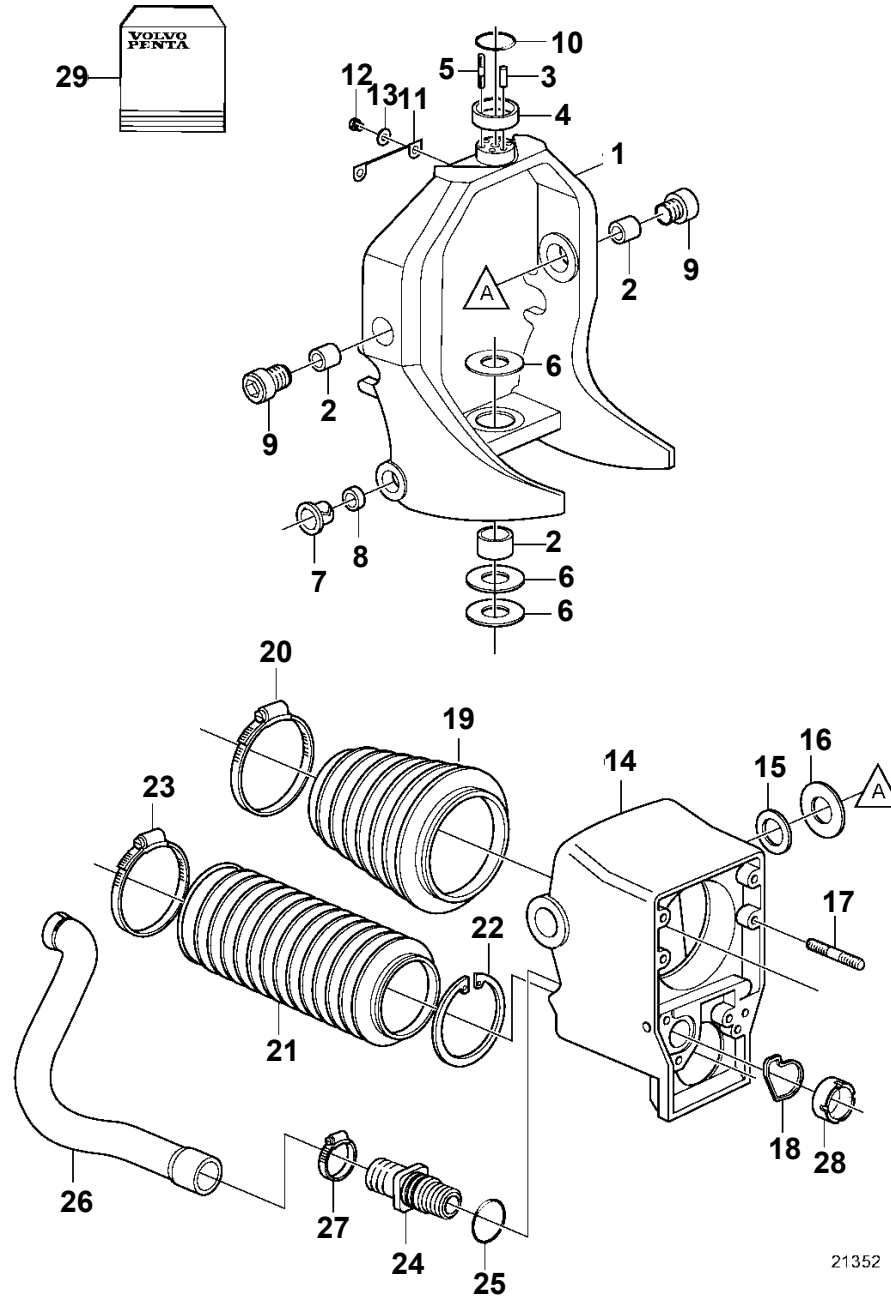
LOWER GEAR UNIT

REF	PART NO.	QTY	DESCRIPTION	SEE SEC.	NOTES
	3855213	1	Drive unit, 1.85:1		
1	3855084	1	• Drive unit		
3	3852567	1	• • Thread insert, 5/16-18, short		
4	3853934	1	• • Roller bearing, Pinion		
5	3852515	1	• • Thread insert, Prop shaft retainer		
6	3852405	1	• Gear set, 1.85:1		
7	3853941	1	• Pump rotor		
8	3850942	1	• Bearing, Gear to gearcase		
9	3851003	1	• Nut, Pinion to driveshaft		
10	3854249	1	• Bearing, Prop shaft hsg		
11	3853474	1	• Seal, Prop shaft hsg		Contents of Lower Gearcase Seal Kit
12	3852865	1	• O-ring, Propeller shaft hsg		Contents of Lower Gearcase Seal Kit
13	3850695	X	• Adjusting washer, Gear position, 0.002 in		
	3852886	X	• Shim, Gear position, 0.003 in		
	3852885	X	• Shim, Gear position, 0.004 in		
	3852887	X	• Shim, Gear position, 0.005 in.....k SHIM, position,		
	3852888	X	• Shim, Gear position, 0.010 in		
14	3852881	X	• Adjusting washer, Shim, prop shaft hsg., 0.096 in		
	3852882	X	• Adjusting washer, Shim, prop shaft hsg., 0.098 in		
	3852868	X	• Adjusting washer, Shim, prop shaft hsg., 0.100 in		
	3852869	X	• Adjusting washer, Shim, prop shaft hsg., 0.102 in		
	3852870	X	• Adjusting washer, Shim, prop shaft hsg., 0.104 in		
	3852871	X	• Adjusting washer, Shim, prop shaft hsg., 0.106 in		
	3852872	X	• Adjusting washer, Shim, prop shaft hsg., 0.108 in		
	3852873	X	• Adjusting washer, Shim, prop shaft hsg., 0.110 in		
	3852874	X	• Adjusting washer, Shim, prop shaft hsg., 0.112 in		
	3852875	X	• Adjusting washer, Shim, prop shaft hsg., 0.114 in		
	3852870	X	• Adjusting washer, Shim, prop shaft hsg., 0.116 in		
	3852877	X	• Adjusting washer, Shim, prop shaft hsg., 0.118 in		
	3852878	X	• Adjusting washer, Shim, prop shaft hsg., 0.120 in		
	3852879	X	• Adjusting washer, Shim, prop shaft hsg., 0.122 in		
	3852880	X	• Adjusting washer, Shim, prop shaft hsg., 0.124 in		
15	3851342	1	• Countershaft, Lower		
16	3854249	1	• Bearing, Driveshaft, lower		
17	3854250	1	• Bearing, Driveshaft, upper		
18	3852889	X	• Shim, Pinion position, 0.003 in		
	3852890	X	• Shim, Pinion position, 0.004 in		
	3852891	X	• Shim, Pinion position, 0.005 in		
	3852892	X	• Shim, Pinion position, 0.010 in		
19	3853492	1	• Housing, Propeller shaft		
20	3853272	1	• Screw, Prop shaft hsg		
21	3852271	1	• Driveshaft		
23	3852866	1	• O-ring, Support hsg.3		Contents of Lower Gearcase Seal Kit
24	3852959	1	• O-ring, Oil passage		
25	3854539	1	• Plug, Gearcase plug		
26	3855081	1	• • O-ring, Gearcase plug		
27	3852970	1	• Anode, Prop shaft housing		
28	3852971	1	• Retainer, Anode		
29	3852972	1	• Screw, Anode		
30	3853309	2	• Screw, Anode retainer		
31	3852973	1	• Washer, Anode		
32	3855636	1	• Retainer, Driveshaft		
33	3853371	1	• Retainer, Prop shaft housing		
34	3852478	1	• Screw, Prop shaft retainer		
35	3854601	1	• Retainer, Seal		
36	3850662		Plug, Trim tab hole		
37	3852008	1	Screw, Trim tab		
38	3854402	1	Trim fin		
39	3854806	1	Screw, Lower to upper housing		
40	3854807	4	Screw, Lower to upper housing		
41	3854805	1	Screw, Lower to upper housing		
42	3852268	1	Splined sleeve, Intermediate		
			Bulletin P-44-1-6	P-44-1-6-EN	Lower Gear Unit

LOWER GEAR UNIT

REF	PART NO.	QTY	DESCRIPTION	SEE SEC.	NOTES
43	3852056	1	Pin, Propeller		
44	3852350	1	Spacer, Propeller nut		
45	3852020	1	Bushing		
46	3850984	1	Propeller nut, Propeller		
47	3854795	1	Tube, Water supply		
48	3852315	1	Seal, Water supply tube		Contents of Lower Gearcase Seal Kit
49	3850315	1	Propeller, 15 x 15		Left-Hand Rotation, Stainless Steel
	3850316	1	Propeller, 15 X 17!		Left-Hand Rotation, Stainless Steel
			Bulletin 56-11	56-11-EN	Replacement of SX Propellers
49	3850317	1	Propeller, 14112 x 19		Left-Hand Rotation, Stainless Steel
			Bulletin 56-11	56-11-EN	Replacement of SX Propellers
49	3850318	1	Propeller, 141/4 x 21		Left-Hand Rotation, Stainless Steel
			Bulletin 56-11	56-11-EN	Replacement of SX Propellers
49	3850319	1	Propeller, 14114 x 23		Left-Hand Rotation, Stainless Steel
			Bulletin 56-11	56-11-EN	Replacement of SX Propellers
49	3850320	1	Propeller, 15 x 17		Left-Hand Rotation, Polished Stainless Steel
			Bulletin 56-11	56-11-EN	Replacement of SX Propellers
49	3850321	1	Propeller, 141/2 x 19		Left-Hand Rotation, Polished Stainless Steel
			Bulletin 56-11	56-11-EN	Replacement of SX Propellers
49	3850322	1	Propeller, 141/4 x 21		Left-Hand Rotation, Polished Stainless Steel
			Bulletin 56-11	56-11-EN	Replacement of SX Propellers
49	3850323	1	Propeller, 141/4 x 23		Left-Hand Rotation, Polished Stainless Steel
			Bulletin 56-11	56-11-EN	Replacement of SX Propellers
49	3850304	1	Propeller, 151/2 x 14		Right-Hand Rotation, Stainless Steel
	3850305	1	Propeller, 15 x 15		Right-Hand Rotation, Stainless Steel
	3850306	1	Propeller, 15 x 16		Right-Hand Rotation, Stainless Steel
	3850307	1	Propeller, 15 x 17.....,		Right-Hand Rotation, Stainless Steel
			Bulletin 56-11	56-11-EN	Replacement of SX Propellers
49	3850308	1	Propeller, 141/2 x 19		Right-Hand Rotation, Stainless Steel
			Bulletin 56-11	56-11-EN	Replacement of SX Propellers
49	3850309	1	Propeller, 141/4 x 21		Right-Hand Rotation, Stainless Steel
			Bulletin 56-11	56-11-EN	Replacement of SX Propellers
49	3850310	1	Propeller, 141/4 x 23		Right-Hand Rotation, Stainless Steel
			Bulletin 56-11	56-11-EN	Replacement of SX Propellers
49	3850298	1	Propeller, 151/2 x 132		Right-hand rotation, Aluminum
	3850299	1	Propeller, 151/2 x 15		Right-hand rotation, Aluminum
	3850300	1	Propeller, 15 x 172		Right-hand rotation, Aluminum
	3850301	1	Propeller, 141/2 x 19		Right-hand rotation, Aluminum
	3850302	1	Propeller, 141/4 x 21		Right-hand rotation, Aluminum
	3850303	1	Propeller, 14114 x 23		Right-hand rotation, Aluminum
	3850311	1	Propeller, 15 x 17		Right-Hand Rotation, Polished Stainless Steel
			Bulletin 56-11	56-11-EN	Replacement of SX Propellers
49	3850312	1	Propeller, 141/2 x 19		Right-Hand Rotation, Polished Stainless Steel
			Bulletin 56-11	56-11-EN	Replacement of SX Propellers
49	3850313	1	Propeller, 141/4 x 21		Right-Hand Rotation, Polished Stainless Steel
			Bulletin 56-11	56-11-EN	Replacement of SX Propellers
49	3850314	1	Propeller, 141/4 x 23		Right-Hand Rotation, Polished Stainless Steel
			Bulletin 56-11	56-11-EN	Replacement of SX Propellers
50	3850324	1	· Propeller bushing, Propeller		Aluminum
	3850325	11	· Propeller bushing, Propeller		Stainless Steel
51	3850831	1	· Sleeve, Bushing		
52	3854241	1	· Ring, Converging		Aluminum
53	3855411	1	Zinc anod		
			Bulletin P-44-1-1	P-44-1-1-EN	Anodes, SX AND DP-S
53	3855412	1	Magnesium anode		
54	3852182	2	Lock washer, Anode		

SX-M, SX-MACLT

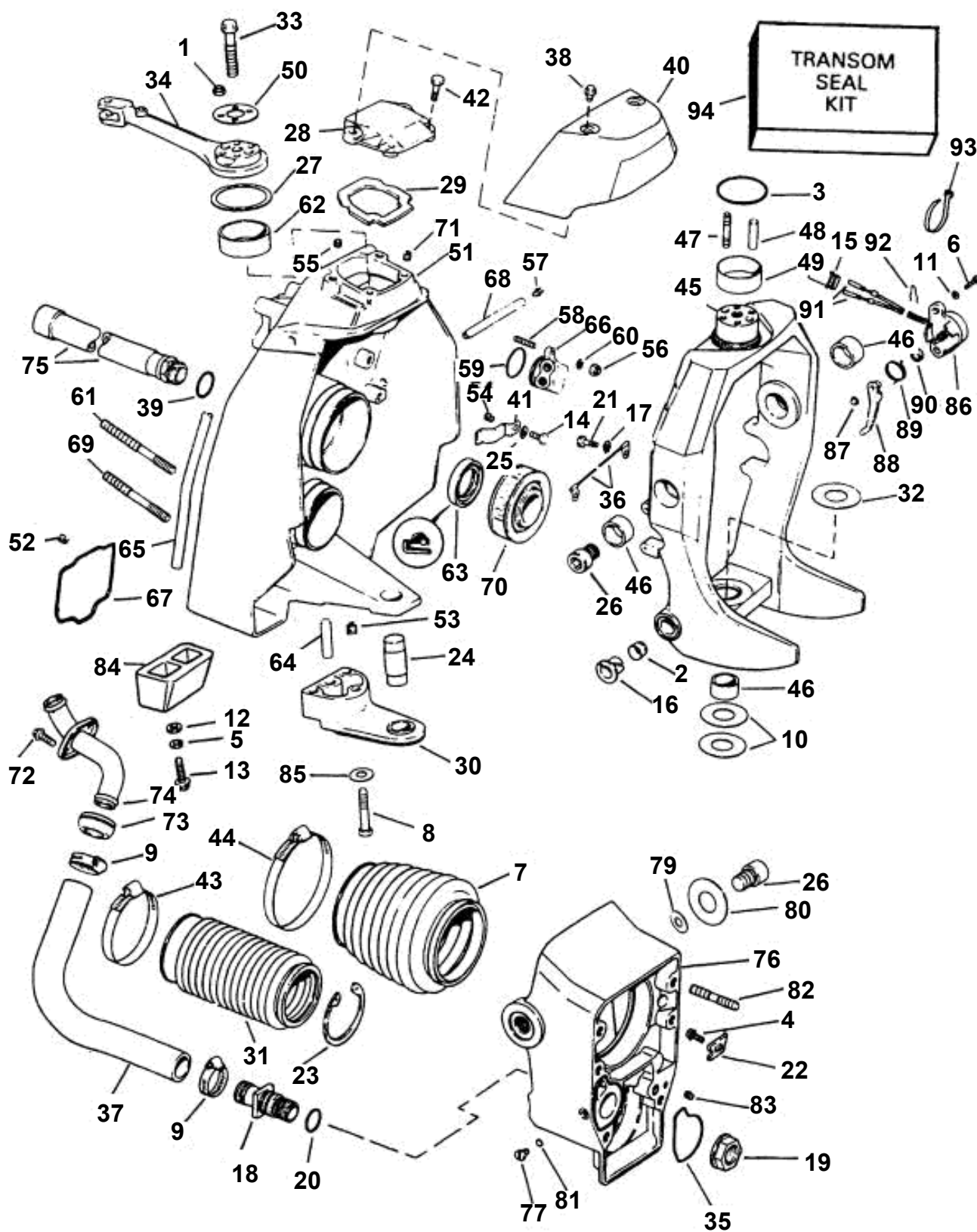


21352

SX-M, SX-MACLT

REF	PART NO.	QTY	DESCRIPTION
1	3808365	1	Suspension fork
2	3808228	3	• Bearing
3	3852545	2	• Locating pin
4	3852571	1	• Sleeve
5	3852588	4	• Stud
6	3852557	3	Thrust washer
7	3853423	2	Bushing
8	3853424	2	Grommet
9	3852316	2	Screw
10	3852044	1	O-ring
11	3857347	1	Ground cable
12	3852050	2	Screw
13	3852193	2	Washer
14	3807964	1	Housing
15	3852697	2	• Thrust washer
16	3852558	2	• Thrust washer
17	3852551	6	• Stud
18	3852560	1	• Seal
19	3854127	1	Bellows
20	3852604	1	Clamp
21	3850426	1	Rubber bellows
22	3852665	1	Retainer
23	3852603	1	Clamp
24	3807819	1	Nipple
25	983513	1	O-ring
26	3807890	1	Hose
27	3852602	1	Clamp
28	3807821	1	Nut
29	3858631	1	Sealing kit

SX - TRANSOM SHIELD



SX - TRANSOM SHIELD

REF	PART NO.	QTY	DESCRIPTION	SEE SEC.	NOTES
1	3852004	4	Lock nut, Steering arm stud		
2	3853424	2	Grommet, Pivot pin		
3	3852044	1	O-ring, Upper gimbal		Part of transom seal kit
4	3852006	1	Screw, Shift cable retainer		
5	3852061	2	Washer, Anode		
6	3852081	2	Screw, Trim sender		
7	3854127	1	Bellows, U-joint		
8	3852151	3	Screw, Support housing		
9	3852602	2	Clamp, Water hose		
10	3852557	X	Thrust washer		
11	3852003	2	Washer, Trim sender		
12	3852191	2	Washer, Anode		
13	3852192	2	Screw, Anode		
14	3852201	2	Screw, Oil line retainer		
15	3853564	1	Connector, Sending unit		
16	3853423	2	Bushing, Pivot pin		
17	3852193	2	Washer, Ground strap		
18	3852533	1	Nipple, Water inlet		
19	3852534	1	Nut, Nipple		
20	3852535	1	O-ring, Nipple		Part of transom seal kit
21	3852050	2	Screw, Ground strap		
22	3852313	1	Retainer, Shift cable		
23	3852665	1	Retainer, Exhaust boot		
24	3852728	1	Shaft, Steering pivot		
25	3852191	2	Washer, Oil line clamp		
26	3852316	2	Screw, Gimbal to pivot		
27	3852554	1	Thrust washer, Steering arm		
28	3854577	1	Cover		
29	3852677	1	· Gasket, Cap		Part of transom seal kit
30	3852380	1	Bracket, Steering support		
31	3850426	1	Rubber bellows, Exhaust		
32	3852557	1	Thrust washer, Lower gimbal		Part of transom seal kit
33	3852591	1	Screw, Steering arm		
34	3852379	1	Spindle arm		
35	3852560	1	Seal, Water passage 1		
36	3853929	1	Ground cable, Pivot housing		
37	3852352	1	Hose, Water inlet		
38	3852682	2	Screw, Cover		
39	3852537	1	O-ring, Sleeve & connector		Part of transom seal kit
40	3852415	1	Cover		
41	3852354	2	Clamp, Oil line		
42	3852473	2	Screw, Cap to gimbal		
43	3852603	1	Clamp, Exhaust		
44	3852604	1	Clamp, U-joint bellows		
45	3852416	1	Suspension fork		
46	3852544	3	· Bearing, Steering & tilt		Part of transom seal kit
47	3852588	4	· Stud		
48	3852545	2	· Locating pin, Steering arm		
49	3852571	1	· Sleeve, Gimbal		
50	3852585	1	Plate, Steering arm		
51	3850714	1	Housing		
52	3852953	4	· Thread insert, Exhaust pipe		
53	3852515	3	· Thread insert, Steering support		
54	3852513	2	· Thread insert, Retainer		
55	3852567	2	· Thread insert, Steering cover		
56	3852005	1	· Nut, Manifold block		
57	3852121	1	· Fitting		
58	3852141	1	· Stud, Manifold block		
59	3852169	1	· O-ring, Manifold block		Part of transom seal kit
60	3852193	1	· Washer, Manifold block		
61	3852546	4	· Stud, Transom, long		
62	3852547	1	· Bearing, Steering		Part of transom seal kit
63	3852548	1	· Seal, Driveshaft		Part of transom seal kit
64	3852549	1	· Pin, Steering support		

7748030 - - 0-0016

GR999516

Upd: 22 NOV 2005

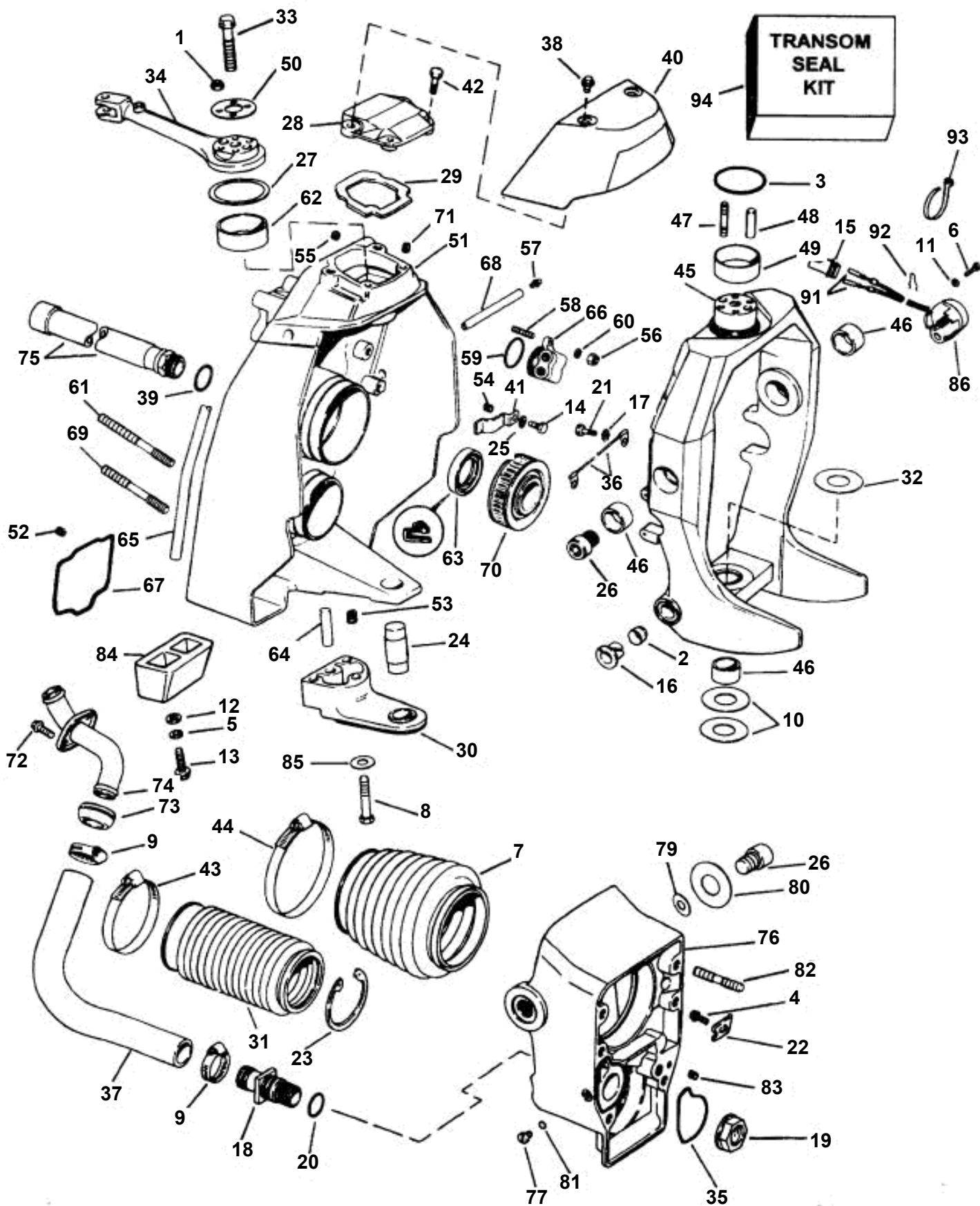
MD 5.0 FL, 5.8 FL

VOLVO
PENTA

SX - TRANSOM SHIELD

REF	PART NO.	QTY	DESCRIPTION	SEE SEC.	NOTES
65	3852550	1	· Seal, Transom		Part of transom seal kit
66	3852559	1	· Block		
67	3852846	1	· Seal, Exhaust pipe		Part of transom seal kit
68	3852564	1	· Tube, Grease		
69	3852576	2	· Stud, Transom, short		
70	3853807	1	· Bearing, U-joint		
71	3852526	2	· Thread insert		
72	3852454	2	· Screw, Water tube		
73	3852556	1	· Bushing, Water tube		Part of transom seal kit
74	3853880	1	· Tube		
75	3850694	1	Cable sleeve		
76	3850706	1	Housing		
77	3852536	1	· Plug, Water drain		
79	3852558	2	· Thrust washer, Gimbal to pivot hsg		Part of transom seal kit
80	3852697	2	· Thrust washer, Pivot screw		
81	3852523	1	· O-ring, Plug		Part of transom seal kit
82	3852551	6	· Stud, Pivot to gear hsg		
83	3852514	1	· Thread insert, Shift cable retainer		
84	3854130	1	Zinc anod		
			Bulletin P-44-1-1	P-44-1-1-EN	Anodes, SX AND DP-S
85	3852697	3	Thrust washer, Steering support bracket		
86	3850470	1	Sender		
87	3852232	1	· Retainer, Arm		
88	3852552	1	· Sender		
89	3852577	1	· Spring		
90	3852164	1	· Nut		
91	3852257	2	· Cable terminal, Socket		
92	3852555	1	Retainer, Trim sender lead		
93	3852149	2	Lock strap, Sender leads to oil line		
94	3854270	1	Sealing kit		

TRANSOM SHIELD



TRANSOM SHIELD

REF	PART NO.	QTY	DESCRIPTION	SEE SEC.	NOTES
1	3852004	4	Lock nut, Steering arm stud		
2	3853424	2	Grommet, Pivot pin		
3	3852044	1	O-ring, Upper gimbal		Part of transom seal kit
4	3852006	1	Screw, Shift cable retainer		
5	3852061	2	Washer, Anode		
6	3852081	2	Screw, Trim sender		
7	3854127	1	Bellows, U joint		
8	3852151	3	Screw, Support housing		
9	3852602	2	Clamp, Water hose		
10	3852557	X	Thrust washer		
11	3853458	2	Washer, Trim sender		
12	3852191	2	Washer, Anode		
13	3852192	2	Screw, Anode		
14	3852201	2	Screw, Oil line retainer		
15	3853564	1	Connector, Sending unit		
16	3853423	2	Bushing, Pivot pin		
17	3852193	2	Washer, Ground strap		
18	3852533	1	Nipple, Water inlet		
19	3852534	1	Nut, Nipple		
20	3852535	1	O-ring, Nipple		Part of transom seal kit
21	3852050	2	Screw, Ground strap		
22	3852313	1	Retainer, Shift cable		
23	3852665	1	Retainer, Exhaust boot		
24	3852728	1	Shaft, Steering pivot		
25	3852191	2	Washer, Oil line clamp		
26	3852316	2	Screw, Gimbal to pivot		
27	3852554	1	Thrust washer, Steering arm		
28	3854246	1	Cap		
29	3852677	1	· Gasket, Cap		Part of transom seal kit
30	3852380	1	Bracket		
31	3850426	1	Rubber bellows, Exhaust		
32	3852557	1	Thrust washer, Lower gimbal		Part of transom seal kit
33	3852591	1	Screw, Steering arm		
34	3852379	1	Spindle arm		
35	3852560	1	Seal, Water passage		Part of transom seal kit
36	3853929	1	Ground cable, Pivot housing		
37	3852352	1	Hose, Water inlet		
38	3852682	2	Screw, Cover		
39	3852537	1	O-ring, Sleeve & connector		Part of transom seal kit
40	3855005	1	Cover		
41	3852354	2	Clamp, Oil line		
42	3852473	2	Screw, Cap to gimbal		
43	3852603	1	Clamp, Exhaust		
44	3852604	1	Clamp, U-joint bellows		
45	3854863	1	Suspension fork		
46	3852544	3	· Bearing, Steering & tilt		
47	3852588		· Stud		
48	3852545	2	· Locating pin, Steering arm		
49	3852571	1	· Sleeve, Gimbal		
50	3852585	1	Plate, Steering arm		
51	3855352	1	Housing		
52	3852953	4	· Thread insert, Exhaust pipe		
53	3852515	3	· Thread insert, Steering support		
54	3852513	2	· Thread insert, Retainer		
55	3852567	2	· Thread insert, Steering cover		
56	3852005	1	· Nut, Manifold block		
57	3852121	1	· Fitting		
58	3852141	1	· Stud, Manifold block		
59	3852169	1	· O-ring, Manifold block		Part of transom seal kit
60	3852193	1	· Washer, Manifold block		
61	3852546	4	· Stud, Transom, long		
62	3852547	1	· Bearing, Steering		Part of transom seal kit
63	3852548	1	· Seal, Driveshaft		Part of transom seal kit
64	3852549	1	· Pin, Steering support		

7797015 - - 0-0011

GR999611

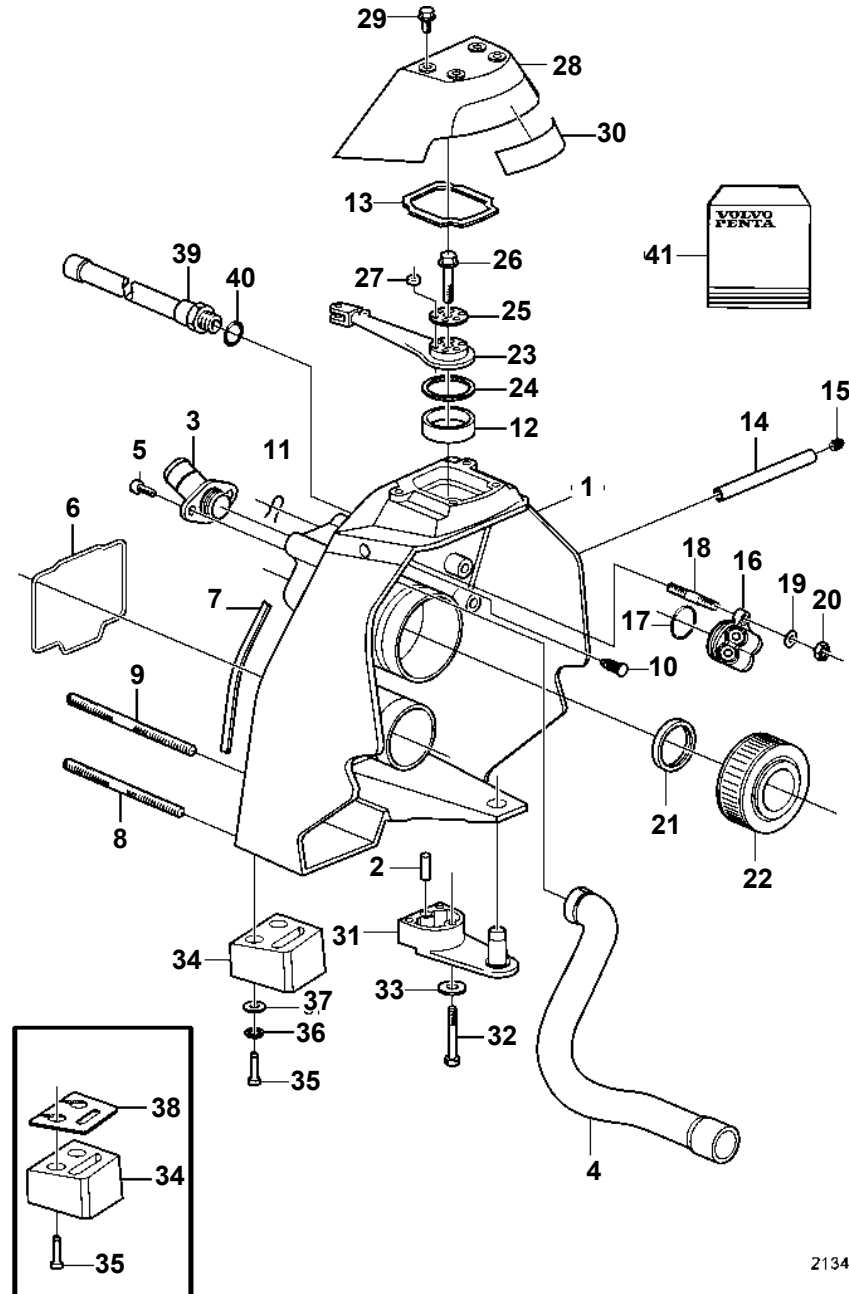
Upd: 22 NOV 2005

HU, 3.0 GS

VOLVO
PENTA

TRANSOM SHIELD

REF	PART NO.	QTY	DESCRIPTION	SEE SEC.	NOTES
65	3852550	1	· Seal, Transom		Part of transom seal kit
66	3852559	1	· Block		
67	3852846	1	· Seal, Exhaust pipe		Part of transom seal kit
68	3852564	1	· Tube, Grease		
69	3852576	2	· Stud, Transom, short		
70	3853807	1	· Bearing, U-joint		
71	3852526	2	· Thread insert		
72	3852454	2	· Screw, Water tube		
73	3852556	1	· Bushing, Water tube		Part of transom seal kit
74	3853880	1	· Tube		
75	3850694	1	Cable sleeve		
76	3855350	1	Housing		
77	3852536	1	· Plug, Water drain		
79	3852558	2	· Thrust washer, Gimbal to pivot housing'		Part of transom seal kit
80	3852697	2	· Thrust washer, Pivot screw		
81	3852523	1	· O-ring, Plug		Part of transom seal kit
82	3852551	6	· Stud, Pivot to gear housing		
83	3852514	1	· Thread insert, Shift cable retainer		
84	3854130	1	Zinc anod		
			Bulletin P-44-1-1	P-44-1-1-EN	Anodes, SX AND DP-S
84	3855610		Magnesium anode		
85	3852155	1	Washer, Steering support bracket		
86	3854842	1	Sender		
91	3852257	2	· Cable terminal, Socket		
92	3852555	1	Retainer, Trim sender lead		
93	3852149	2	Lock strap, Sender leads to oil line		
94	3854270	1	Sealing kit		
	3854993	1	Decal, Volvo Penta		



21346

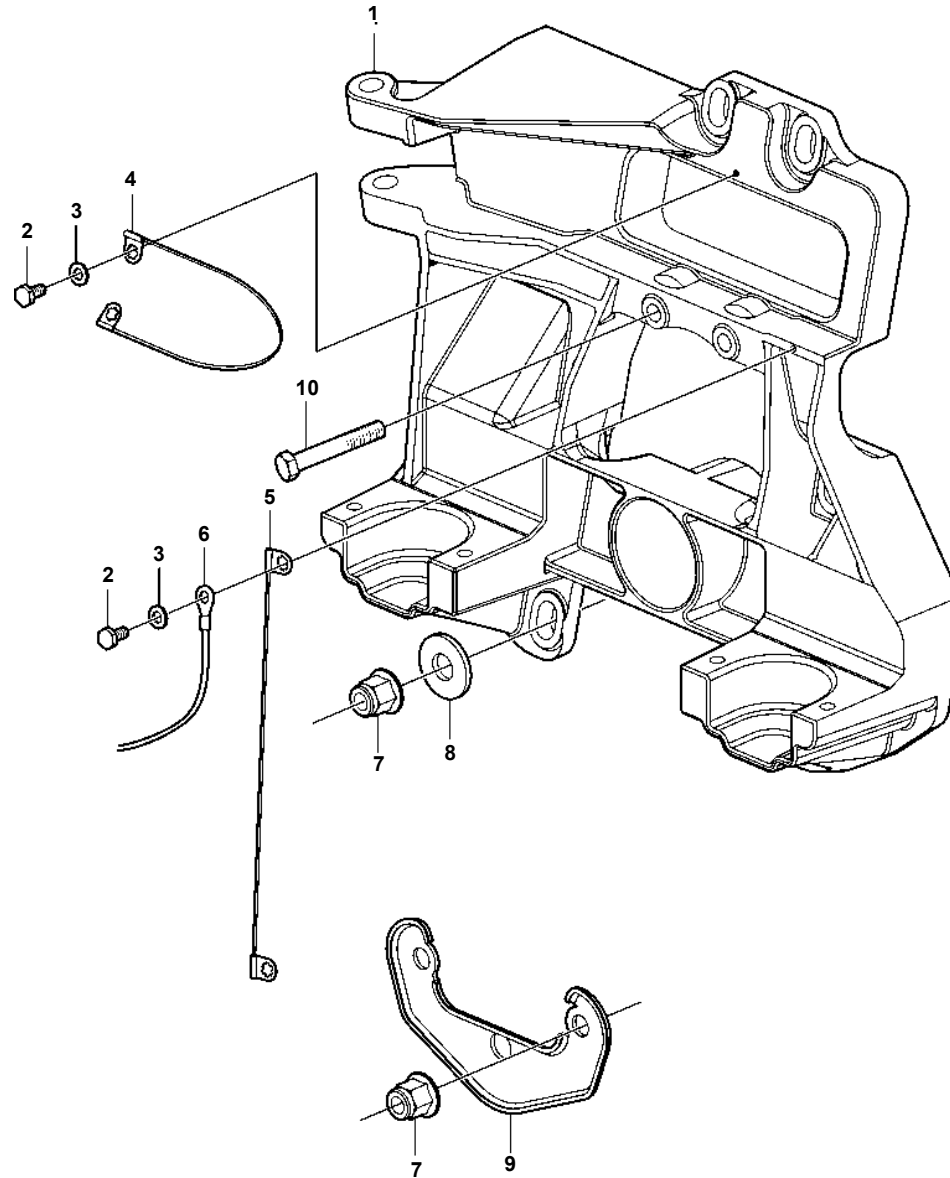
SX-MACLT

REF	PART NO.	QTY	DESCRIPTION	SEE SEC.	NOTES
1	3817148	1	Housing		
2	3852549	1	• Pin		
3	3807688	1	• Fitting		
4	3807890	1	• Hose		
5	3852454	2	• Screw		
6	3587651	1	• Sealing kit		
7	3852550	1	• Seal		
8	3852576	2	• Stud		
9	3852546	4	• Stud		
10	3851975	1	• Plug		
11	3852555	1	• Retainer		
12	3852547	1	• Bearing		
13	3857087	1	• Seal		
14	3852564	1	• Tube		
15	3852121	1	• Lubricating nipple		
16	3852559	1	• Block		
17	3852169	1	• O-ring		
18	3852141	1	• Stud		
19	3852193	1	• Washer		
20	3852005	1	• Nut		
21	3852548	1	• Seal		
22	3853807	1	• Bearing		
23	3852379	1	Spindle arm		
24	3852554	1	Thrust washer		
25	3852585	1	Plate		
26	3852591	1	Screw		
27	3852004	4	Lock nut		
28	3857238	1	Cover		
29	3857146	4	Screw		
30	3857652	1	Decal		
31	3858192	1	Bracket		
32	3852151	3	Screw		
33	3852155	3	Washer		
34	3854130	X	Zinc anod		
			Bulletin P-44-1-1	P-44-1-1-EN	Anodes, SX AND DP-S
34	3855610	X	Magnesium anode		
	3586461	X	Anode, aluminum		
35	3852192	2	Screw		
36	3852061	2	Lock washer		
37	3852191	2	Washer		
38	3812383	X	Plate		
39	3856800	1	Hose		
40	3852537	1	O-ring		
41	3858631	1	Sealing kit		

SX-A, SX-ALT42, SX-ALT32, SX-AAC, SX-AACLT42, SX-AACLT32

REF	PART NO.	QTY	DESCRIPTION	SEE SEC.
1	3840776	1	Shield	
2	3840774	1	• Housing	
3	3888555	1	• Bearing	
4	3883257	1	• Seal	
5	3883256	2	• Stud	
6	3883255	6	• Stud	
7	3840761	1	• Bushing	
8	3840997	1	• Fitting	
9	990857	3	• Screw	
10	3851975	1	• Plug	
11	3852555	1	• Retainer	
12	3883777	1	• Hose	
13	3841011	1	• Rubber gasket	
14	3841013	1	• Gasket	
15	3842849	1	• Decal	
16	3840757	1	Spindle arm	
17	3840759	1	Retainer	
18	3841017	1	Shaft	
19	3841141	1	Thrust washer	
20	3842383	1	Screw	
21	3852045	1	O-ring	
22	946056	1	O-ring	
23	3840764	1	Shaft	
24	3885523	1	Cotter pin	
25	3856800	1	Hose	
26	3852537	1	O-ring	
27	3888816	X	Anode kit, aluminum	
	3888817	X	Anode kit, zinc	
	3888818	X	Anode kit, magnesium	
28		2	• Screw	
29	3883479	1	Tube	
30	976106	1	• O-ring	
31	3888820	1	Gasket kit	9943

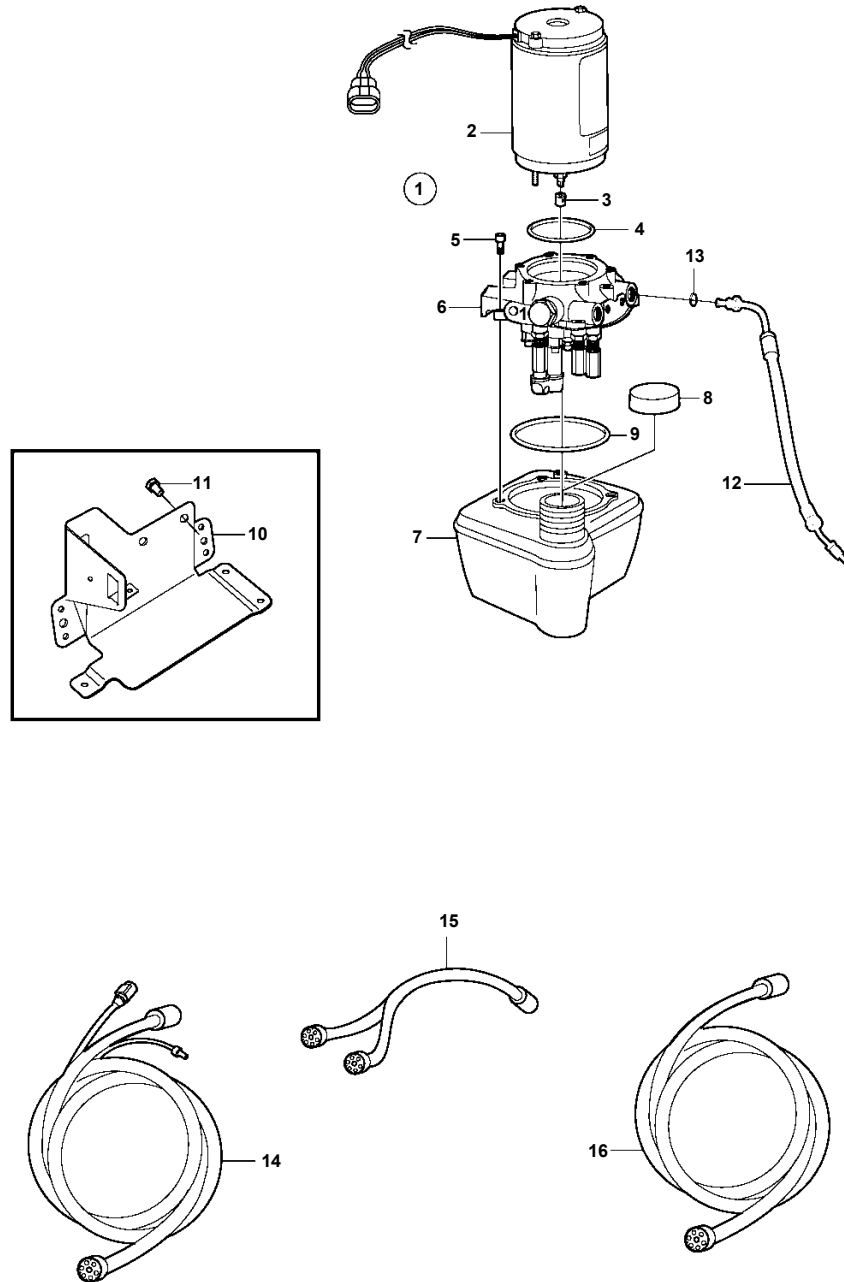
SX-M, SX-MLT, SX-MACLT, SX-MBAC, SX-MHP, SX-MDA, SX-MDB, SX-MDC



SX-M, SX-MLT, SX-MACLT, SX-MBAC, SX-MHP, SX-MDA, SX-MDB, SX-MDC

REF	PART NO.	QTY	DESCRIPTION	NOTES
1	3854605	1	Plate	
2	3852050	2	Screw	
3	3852193	2	Washer	
4	3857347	2	Ground cable	
5	3853928	1	Ground cable	Not used on later versions.
6	3853927	1	Ground cable	
7	3853329	6	Nut	
8	3852573	4	Washer	
9	3852605	1	Backing plate	
10	3853547	2	Screw	

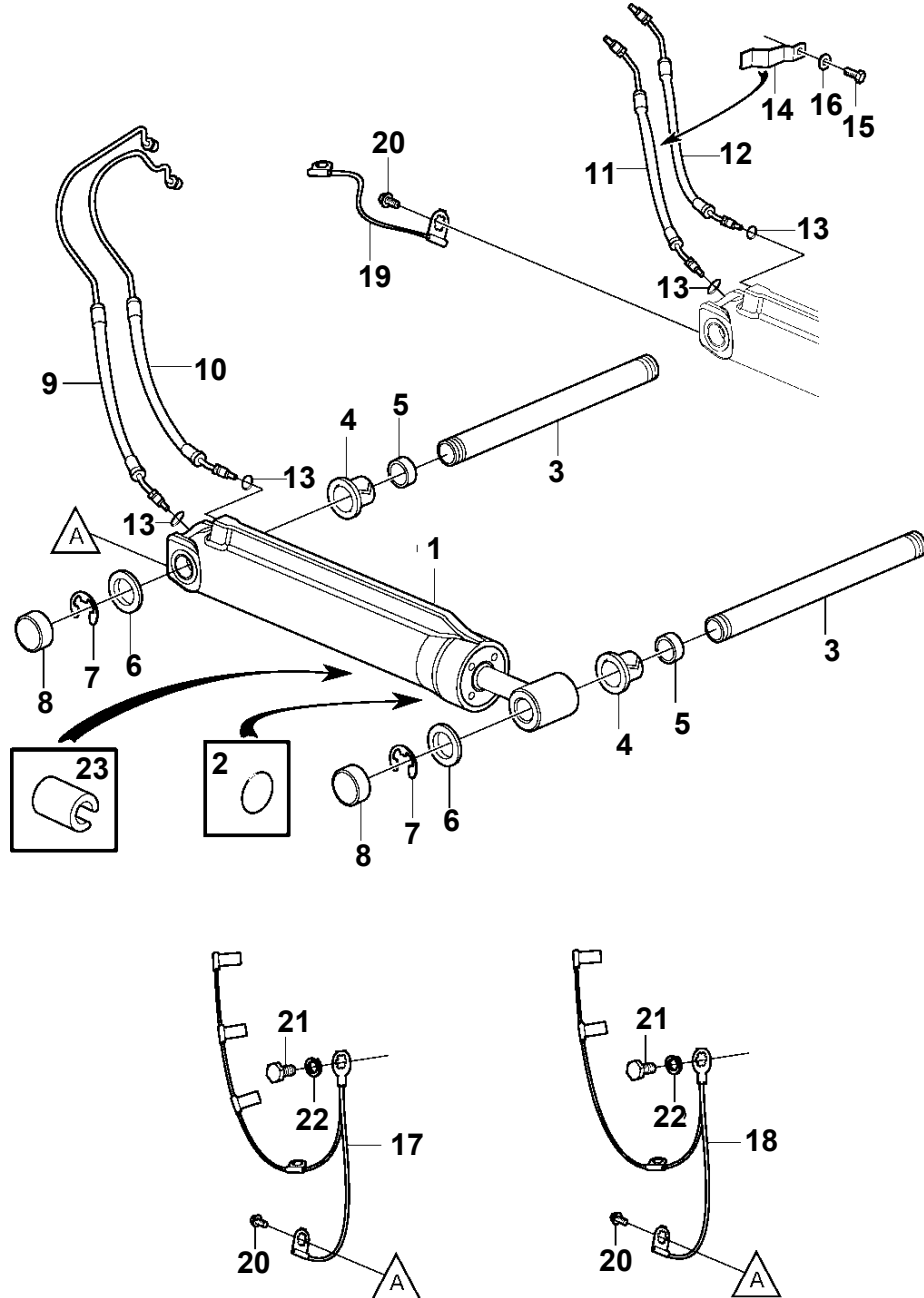
SX-M, SX-MACLT, SX-MBAC, SX-MHP



SX-M, SX-MACLT, SX-MBAC, SX-MHP

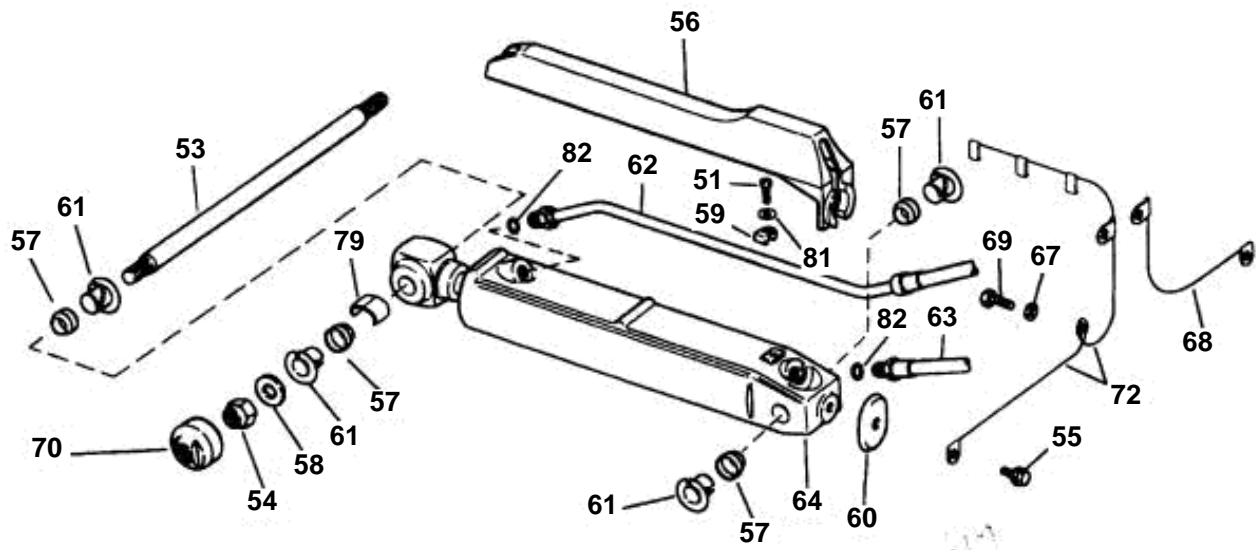
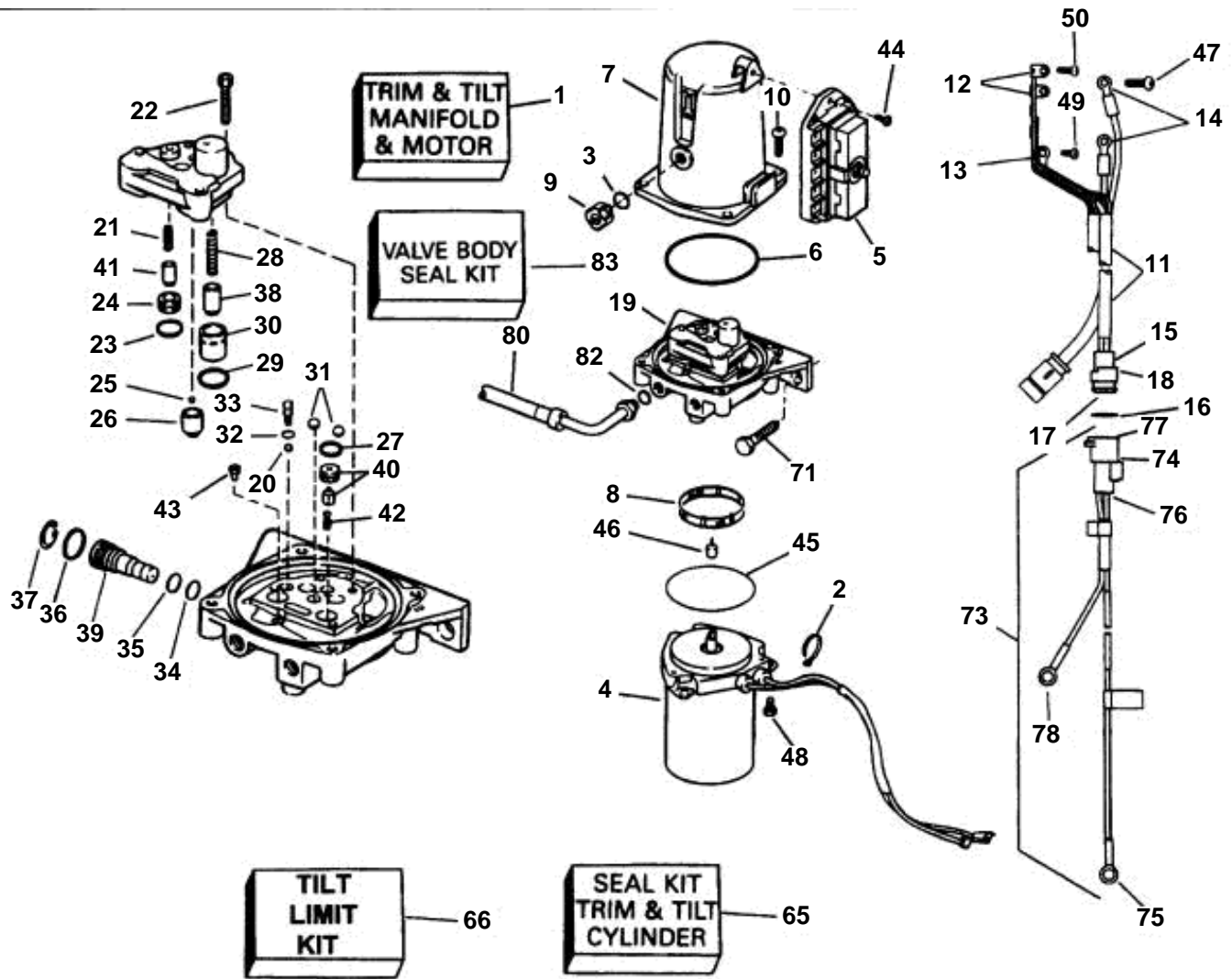
REF	PART NO.	QTY	DESCRIPTION	NOTES
1	3819846	1	Pump, trim	
2	3861575	1	· Electrical motor	
3	3861577	1	· Connector	
4	3861578	1	· O-ring	
5	3861574	4	· Screw	
6		1	· Valve body	NOT SERVICED
7	3861570	1	· Reservoir	
8	3861572	1	· · Cap	
9	3861573	1	· · O-ring	
10	3858083	1	· Bracket	
11	971017	2	· Hexagon screw	
12	3853825	2	Hydraulic hose	
13	3852165	4	O-ring	
14	3855709	X	Cable harness, trim	5m
	3855708	X	Cable harness, trim	7m
15	3855712	X	Cable harness, trim	Y
16	3855710	X	Cable harness, trim	3m
	3855711	X	Cable harness, trim	5m

SX-M, SX-MBAC, SX-MHP, SX-MDA, SX-MDB, SX-MDC



SX-M, SX-MBAC, SX-MHP, SX-MDA, SX-MDB, SX-MDC

REF	PART NO.	QTY	DESCRIPTION	NOTES
1	3857470	2	Trimming cylinder	
2	888864	2	• O-ring	
3	3857431	2	Pivot pin	
4	3853423	4	Bushing	
5	3853424	4	Grommet	
6	3857588	4	Washer	
7	3857521	4	Clip	
8	3857522	4	Cap	
9	3857523	1	Oil line	
10	3853857	1	Oil line	
11	3857524	1	Oil line	
12	3853855	1	Oil line	
13	3852165	12	O-ring	
14	3852354	2	Clamp	
15	3852201	2	Screw	
16	3852191	2	Washer	
17	3853848	1	Ground cable	EARLIER PROD
18	3808078	1	Ground cable	LATER PROD
19	3853849	1	Ground cable	
20	3852568	2	Screw	
21	3852050	1	Screw	
22	3852193	1	Washer	
23	3857589	X	Trimming limiter	
		2	• Spacer	

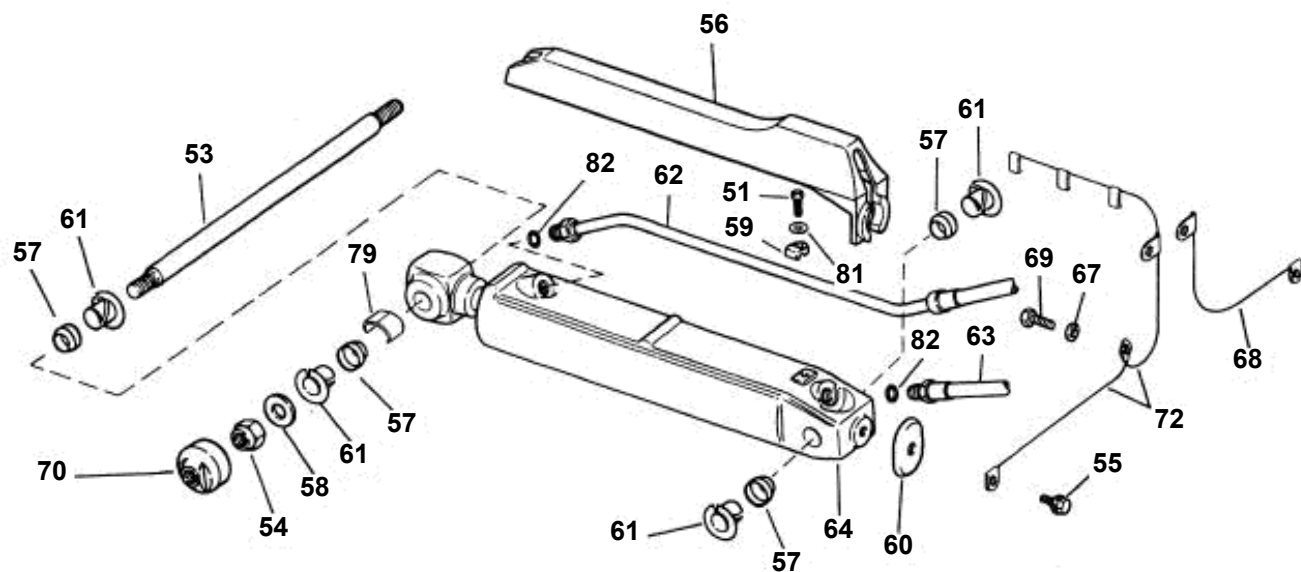
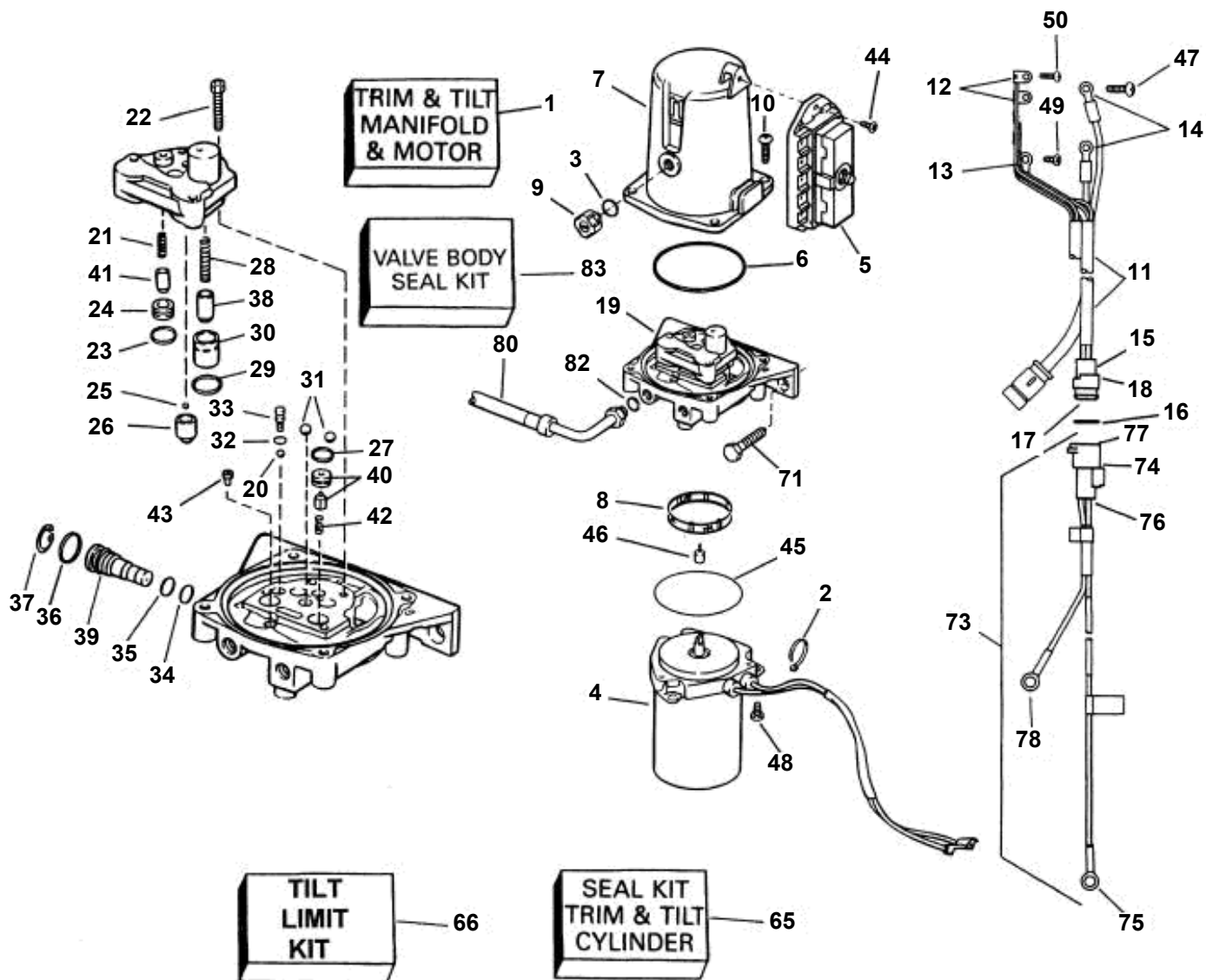


POWER TRIM & TILT

REF	PART NO.	QTY	DESCRIPTION	NOTES
1	3855334	1	Hydraulic pump	
2	3852158	1	• Lock strap	
3	3852073	1	• O-ring, Plug	Contents of valve body seal kit.
4	3853945	1	• Electrical motor	
5	3853946		• Relay	
6	3852508	1	• O-ring, Reservoir	Contents of valve body seal kit.
7	3853989	1	• Tank	
8	3852974	1	• Filter	
9	3852976	1	• Plug, Fill hole	
10	3852977	4	• Screw, Reservoir to manifold	
11	3854038	1	• Cable harness	
12	3852228	2	• • Cable terminal	
13	3852226	1	• • Cable terminal	
14	3852038	2	• • Cable terminal	
15	3852250	1	• • Connector	
16	3852537	1	O-ring, Connector	
17	3852253	2	• • Cable terminal	
18	3852251	1	Plug, Connector	
19	3853943	1	• Valve housing	
20	3852590	1	• • Ball, Manual release	
21	3852578	1	• • Spring, Valve, trim down	
22	3852983	4	• • Screw, Pump to manifold	
23	3852984	1	• • O-ring, Valve seal	
24	3852985	1	• • Seat, Valve, trim down	
25	3852986	2	• • Ball, Piston, pump control	
26	3852987	2	• • Piston, Pump control	
27	3852988	2	• • O-ring, Piston, pump control	Contents of valve body seal kit.
28	3852989	1	• • Spring, Valve core, trim up	
29	3852990	1	• • O-ring, Valve seat, trim up	Contents of valve body seal kit.
30	3852991	1	• • Seat, Valve, trim up	
31	3852023	2	• • Ball, Pump inlet	
32	3852992	1	• • O-ring, Cap, manual release	Contents of valve body seal kit.
33	3852993	1	• • Plug, Manual release	
34	3852994	1	• • Ring, Manual release	
35	3852995	1	O-ring, Manual release	Contents of valve body seal kit.
36	3852996	1	O-ring, Manual release	Contents of valve body seal kit.
37	3852997	1	• • Ring	
38	3853803	1	• • Valve, Trim up	
39	3853944	1	• • Valve, Manual release	
40	3853947	2	• • Valve	
41	3853948	1	• • Valve	
42	3852975	2	• • Spring, Check valve	
43	3853313	1	Filter, Oil	
44	3852978	1	• Screw, Relay to reservoir	
45	3852166	1	• O-ring, Motor to manifold	Contents of valve body seal kit.
46	3852982	1	• Clutch, Pump	
47	3852981	2	• Screw, Terminal	
48	3852978	3	• Screw, Motor to manifold	
49	3852979	3	• Screw, Terminal	
50	3852980	2	• Screw, Terminal	
51	3852081	2	Screw, Oil line retainer	
53	3853422	2	Pin, Tilt cylinder	
54	3852648	4	Lock nut, Pivot pin	
55	3852568	2	Screw, Cover	
56	3852378	2	Cover, Tilt cylinder	
57	3853424	8	Grommet, Pivot pin bushing	
58	3852573	4	Washer, Pivot pin	
59	3852579	2	Retainer, Oil line	
60	3852681	2	Retainer, Cover	
61	3853423	8	Bushing, Trim & tilt cylinder	
62	3853854	1	Hydraulic hose, Starboard, down	
	3853856	1	Hydraulic hose, Port, down	
63	3853855	1	Hydraulic hose, up	
	3853857	1	Hydraulic hose, up	

POWER TRIM & TILT

REF	PART NO.	QTY	DESCRIPTION	NOTES
64	3852414	2	Trimming cylinder	
65	3854247	1	· Sealing kit, Cylinder	Limited cylinder - 8 in. (203mm) full extension from end cap to pivot pin. "L" stamped on trim rod eyelet., Optional - regular trim
66	3850887	1	· Trimming limiter	Limited cylinder - 8 in. (203mm) full extension from end cap to pivot pin. "L" stamped on trim rod eyelet
67	3852193	2	Washer, Wire to gimbal	
68	3853849	1	Ground cable, 2-loop	
69	3852050	2	Screw, Wire to gimbal	
70	3852958	4	Cover, Pivot shaft, tilt cylinder	
71	3852581	2	Screw	
72	3853848	1	Ground cable, 3-loop	
73	3854031	1	Cable harness, Trim/tilt	
74	3852249	1	· Connector	
75	3852527	1	· Cable terminal, Ring	
76	3852251	1	· Plug, Connector	
77	3852252	2	· Cable terminal, Receptacle	
78	3852036	1	· Cable terminal, Ring	
79	3853421	2	Spring, Ground	
80	3853825	2	Hydraulic hose, Pump to manifold	
81	3852190	2	Washer, Retainer	
82	3852165	12	O-ring, Oil line	Contents of valve body seal kit.
83	3854397	1	Sealing kit, Valve body	
	3855359	2	Decal, SX Cobra	



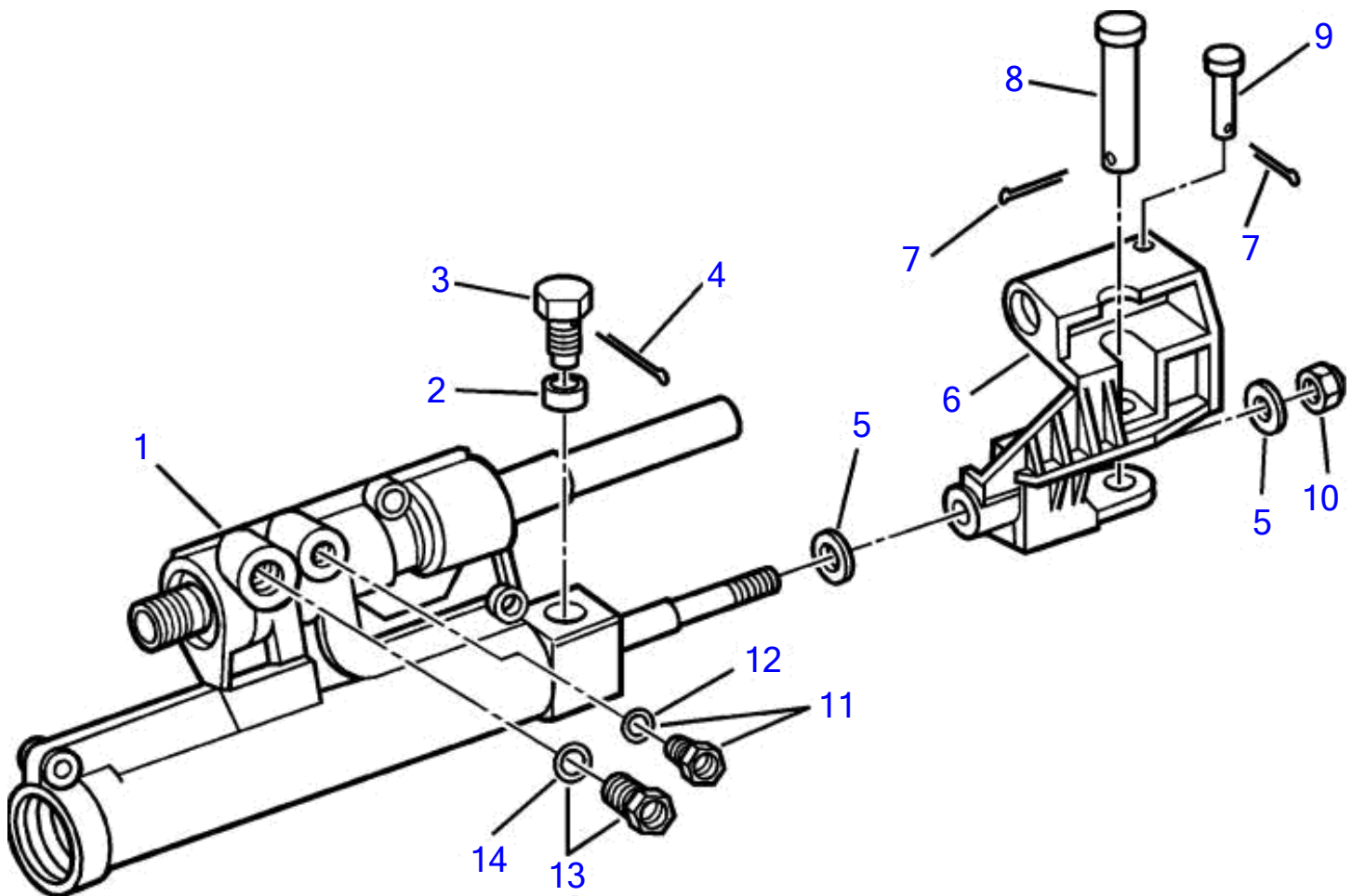
SX - POWER TRIM AND TILT

REF	PART NO.	QTY	DESCRIPTION	NOTES
1	3854030	1	Hydraulic pump	
2	3852158	1	• Lock strap	
3	3852073	1	• O-ring, Plug	Contents of Valve Body Seal Kit
4	3853945	1	• Electrical motor	
5	3853946	1	• Relay	
6	3852508		• O-ring, Reservoir	Contents of Valve Body Seal Kit
7	3853989	1	• Tank	
8	3852974	1	• Filter	Contents of Valve Body Seal Kit
9	3852976	1	• Plug, Fill hole	
10	3852977	4	• Screw, Reservoir to manifold	
11	3854038	1	• Cable harness	
12	3852228	2	• • Cable terminal	
13	3852226	1	• • Cable terminal	
14	3852038	2	• • Cable terminal	
15	3852250	1	• • Connector	
16	3852537	1	• • • O-ring, Connector	
17	3852253	2	• • Cable terminal	
18	3852251	1	• • Plug, Connector	
19	3853943	1	• Valve housing	
20	3852590	1	• • Ball, Manual release	
21	3852578	1	• • Spring, Valve, trim down	
22	3852983	4	• • Screw, Pump to manifold	
23	3852984	1	• • O-ring, Valve seat	Contents of Valve Body Seal Kit
24	3852985	1	• • Seat, Valve, trim down	
25	3852986	2	• • Ball, Piston, pump control	
26	3852987	2	• • Piston, Pump control	
27	3852988	2	• • O-ring, Piston, pump control	Contents of Valve Body Seal Kit
28	3852989	1	• • Spring, Valve core, trim up	
29	3852990	1	• • O-ring, Valve seat, trim up	Contents of Valve Body Seal Kit
30	3852991	1	• • Seat, Valve, trim up	
31	3852023	2	• • Ball, Pump inlet	
32	3852992	1	• • O-ring, Cap, manual release	Contents of Valve Body Seal Kit
33	3852993	1	• • Plug, Manual release	
34	3852994	1	• • Ring, Manual release	
35	3852995	1	• • O-ring, Manual release	Contents of Valve Body Seal Kit
36	3852996	1	• • O-ring, Manual release	Contents of Valve Body Seal Kit
37	3852997	1	• • Ring	
38	3853803	1	• • Valve, Trim up	
39	3853944	1	• • Valve, Manual release	
40	3853947	2	• • Valve	
41	3853948	1	• • Valve	
42	3852975	2	• • Spring, Check valve	
43	3853313	1	• • Filter, Oil	
44	3852978	1	• Screw, Relay to reservoir	
45	3852166	1	• O-ring, Motor to manifold	Contents of Valve Body Seal Kit
46	3852982	1	• Clutch, Pump	
47	3852981	2	• Screw, Terminal	
48	3852978	3	• Screw, Motor to manifold	
49	3852979	3	• Screw, Terminal	
50	3852980	2	• Screw, Terminal	
51	3852081	2	Screw, Oil line retainer	
53	3853422	2	Pin, Tilt cylinder	
54	3852648	4	Lock nut, Pivot pin	
55	3852568	2	Screw, Cover	
56	3852378	2	Cover, Tilt cylinder	
57	3853424	8	Grommet, Pivot pin bushing	
58	3852573	4	Washer, Pivot pin	
59	3852579	2	Retainer, Oil line	
60	3852681	2	Retainer, Cover	
61	3853423	8	Bushing, Trim & tilt cylinder	
62	3853854	1	Hydraulic hose, Starboard, down	
	3853856	1	Hydraulic hose, Port, down	
63	3853855	1	Hydraulic hose, Starboard, up	
	3853857	1	Hydraulic hose, Port, up	

SX - POWER TRIM AND TILT

REF	PART NO.	QTY	DESCRIPTION	NOTES
64	3852392	2	Trimming cylinder	10 1/2 in. (268mm) Full Extension, From End Cap to Pivot Pin
65	3854247	1	• Sealing kit, Cylinder	
66	3850887	2	Trimming limiter	Limits Cylinders to 8 in. (203mm) Full Extension From End Cap to Pivot Pin
67	3852193	2	Washer, Wire to gimbal	
68	3853849	1	Ground cable, 2-loop	
69	3852050	2	Screw, Wire to gimbal	
70	3852958	4	Cover, Pivot shaft, tilt cylinder	
71	3852581	2	Screw	
72	3853848	1	Ground cable, 3-loop	
73	3854031	1	Cable harness, Trimf tilt	
74	3852249	1	• Connector	
75	3852527	1	• Cable terminal, Ring	
76	3852251	1	• Plug, Connector	
77	3852252	2	• Cable terminal, Receptacle	
78	3852036	1	• Cable terminal, Ring	
79	3853421	2	Spring, Ground	
80	3853825	2	Hydraulic hose, Pump to manifold:	
81	3852190	2	Washer, Retainer	
82	3852165	12	O-ring, Oil line	Contents of Valve Body Seal Kit
83	3854397	1	Sealing kit, Valve body	

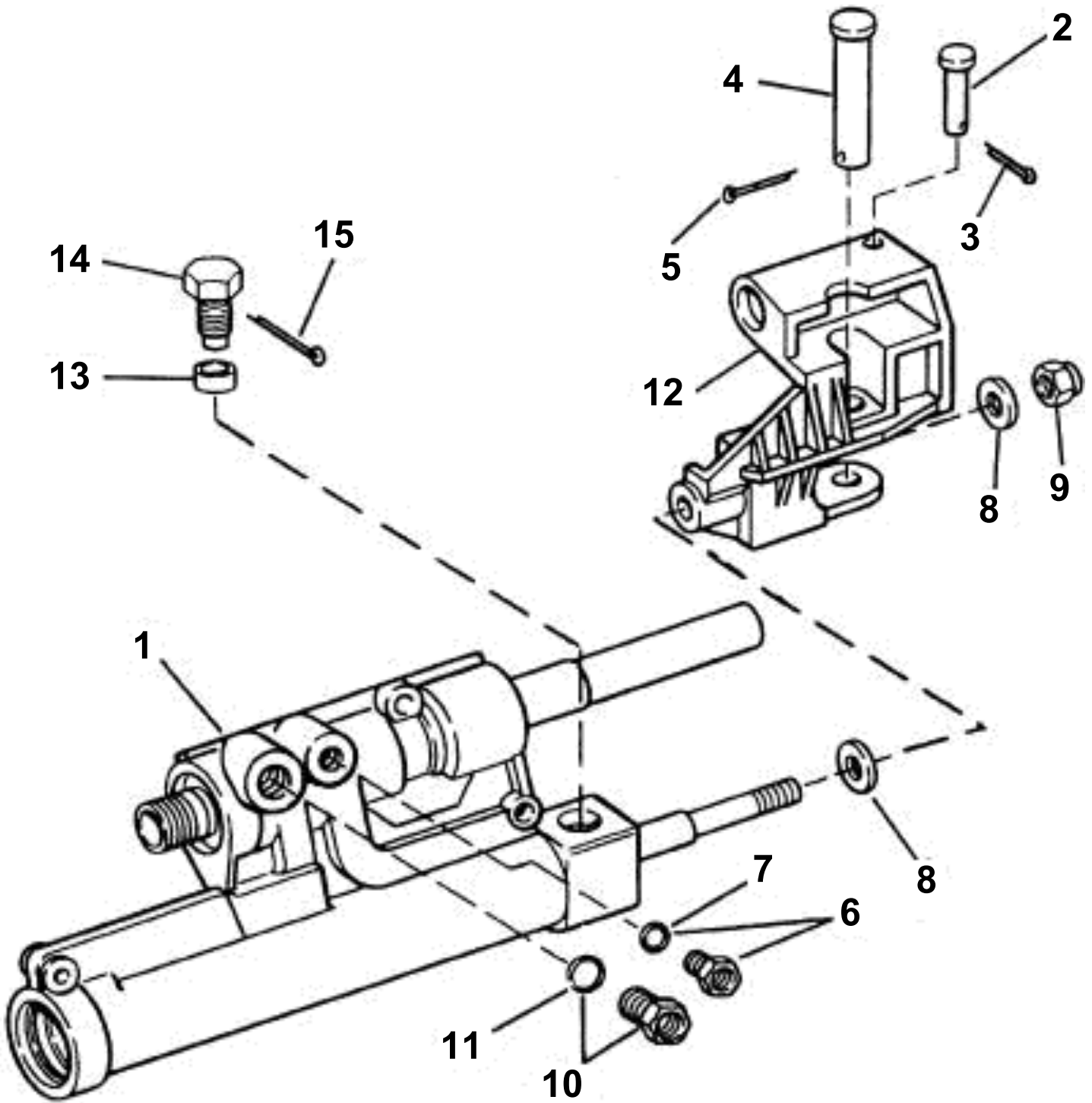
SX-S, SX-SLT



SX-S, SX-SLT

REF	PART NO.	QTY	DESCRIPTION	NOTES
1	3850244	1	Steering cylinder	
2	3852582	2	• Bushing	
3	3850931	2	• Screw	
4	3853376	2	• Split pin	
5	3853305	2	• Washer	
6	(3850251)	1	• Clevis	Obsolete part
7	3852255	2	• • Split pin	
8	3853308	1	• Clevis pin	
9	3853307	1	• Clevis pin	
10	3853306	1	• Nut retainer	
11	3853393	1	• Flange screw	
12	(3852587)	1	• • O-ring	Obsolete part
13	3853994	1	• Fitting	
14	3852517	1	• • O-ring, steering anchor	

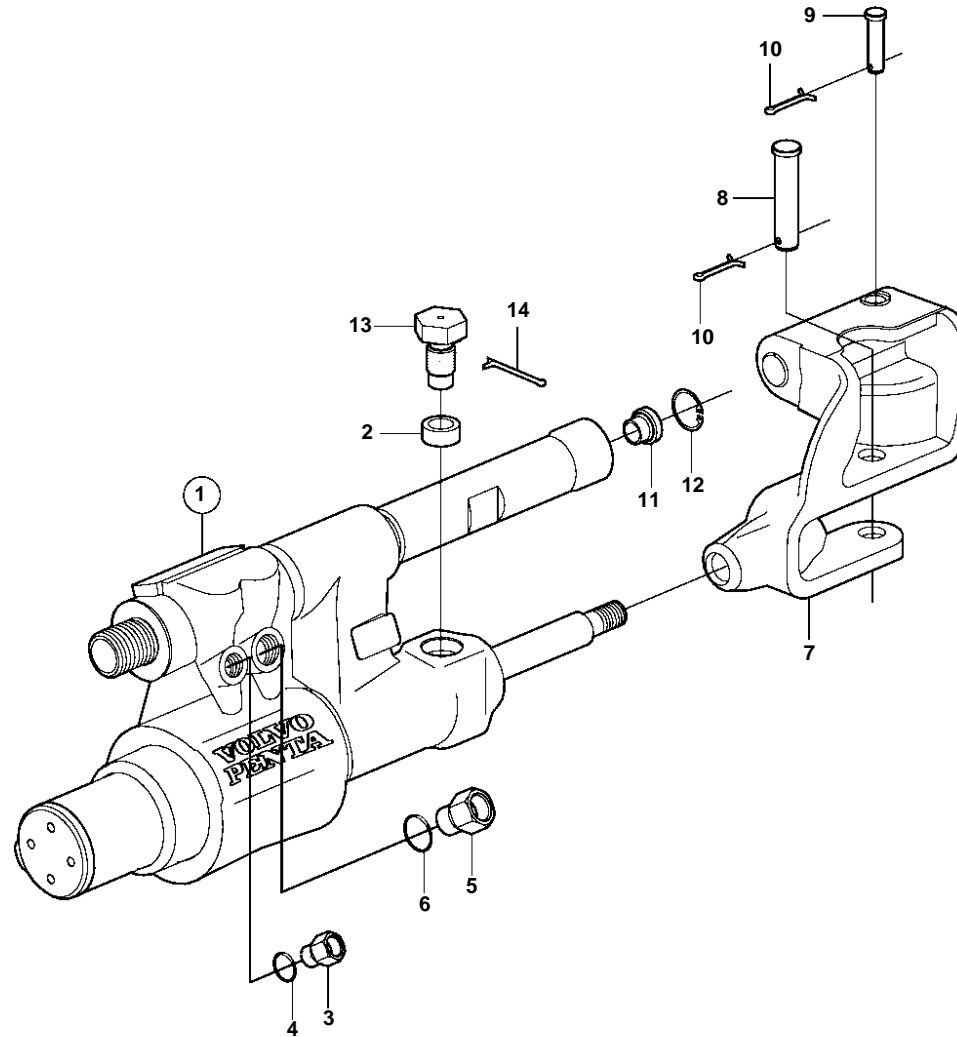
SX - POWER STEERING CYLINDER



SX - POWER STEERING CYLINDER

REF	PART NO.	QTY	DESCRIPTION
1	3850244	1	Steering cylinder
2	3853307	1	· Clevis pin, Steering cable to clevis
3	3852255	1	· Cotter pin, Steering cable pin
4	3853308	1	· Clevis pin, Steering arm to clevis
5	3852255	1	· Cotter pin, Steering arm pin
6	3853993	1	· Fitting
7	3852587	1	· · O-ring
8	3853305	2	· Washer
9	3853306	1	· Nut
10	3853994	1	· Fitting
11	3852517	1	· · O-ring
12	3850251	1	· Cylinder anchorage
13	3852582	2	· Bearing bushing
14	3852570	2	Screw, Steering anchor
15	3853376	2	Cotter pin, Steering anchor bolt

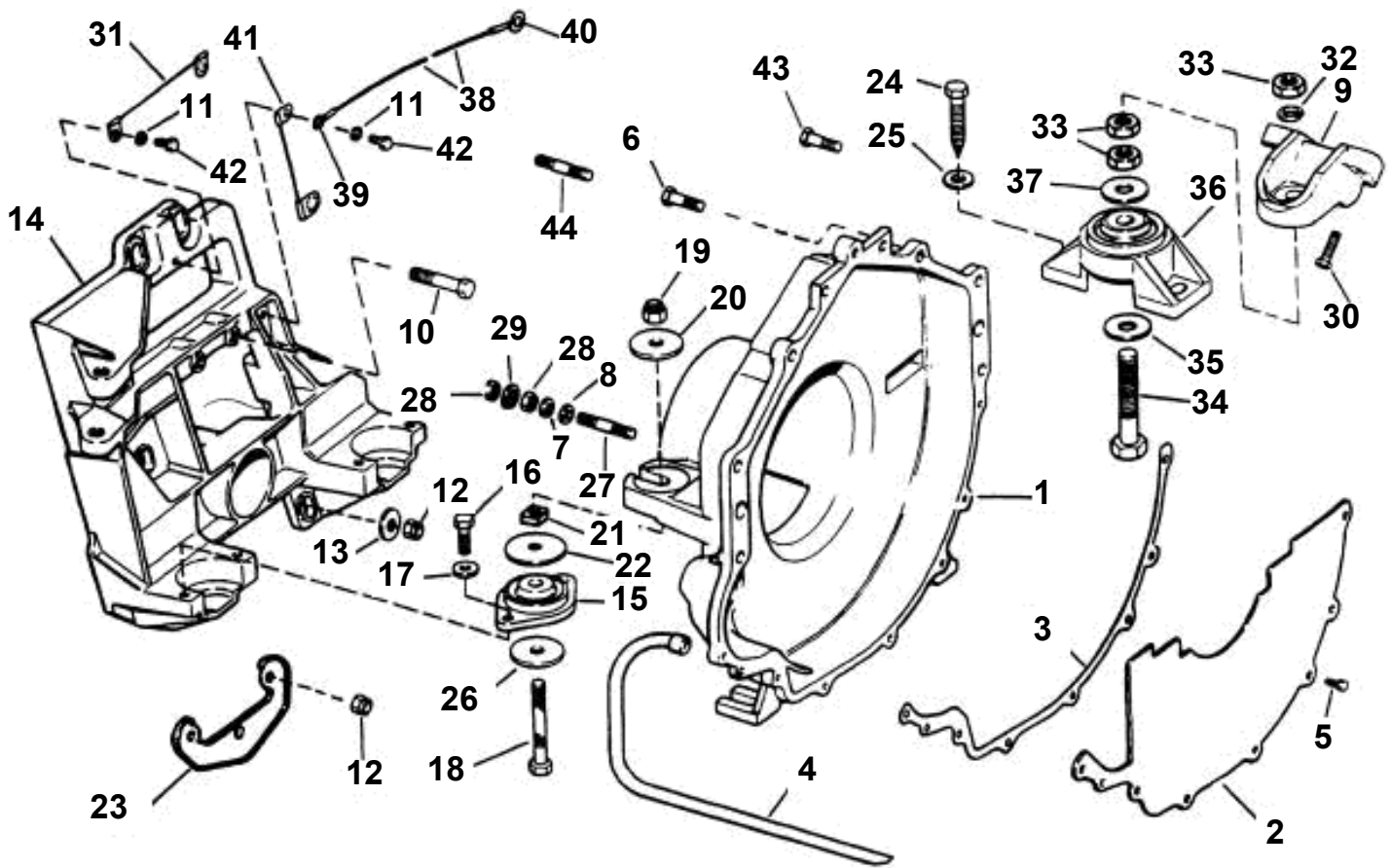
SX-MDA, SX-MDB, SX-MDC



SX-MDA, SX-MDB, SX-MDC

REF	PART NO.	QTY	DESCRIPTION
1	3862514	1	Steering cylinder
2	3861035	2	· Bushing
3	3859041	1	· Fitting
4	3859040	1	· O-ring
5	3859043	1	· Fitting
6	3859042	1	· O-ring
7	3859048	1	· Cable attachment
8	3859047	1	· Pin
9	3859046	1	· Pin
10	3859045	2	· Cotter pin
11	3859052	1	· Bushing
12	3859051	1	· Snap ring
13	3850931	2	Screw
14	3853376	2	Cotter pin

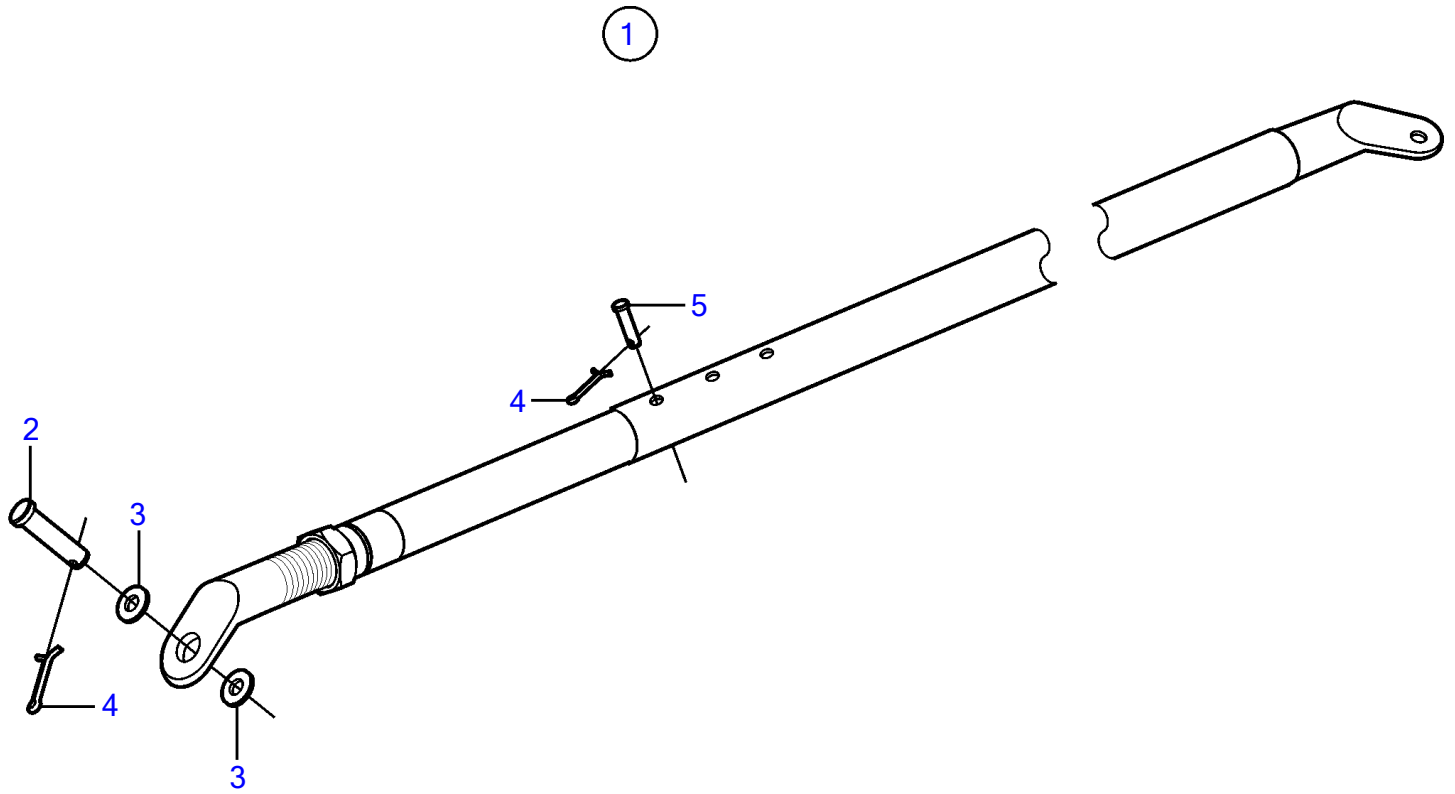
SX - TRANSOM PLATE, FLYWHEEL HOUSING & MOUNTS



SX - TRANSOM PLATE, FLYWHEEL HOUSING & MOUNTS

REF	PART NO.	QTY	DESCRIPTION
1	3853457	1	Flywheel housing, Flywheel
2	3852833	1	Cover plate, Flywheel
3	3852834	1	Gasket, Flywheel
4	3852832	1	Hose, Flywheel housing
5	3852421	7	Screw, Flywheel cover
6	3853266	1	Screw, Upper, port, 1 in
	3853326	2	Screw, Upper, starboard, 1 1/4 in
7	3852002	2	Lock washer, Flywheel housing
8	3852058	2	Washer, Flywheel housing
9	3852760	2	Bracket, Front
10	3853547	2	Screw, Transom plate
11	3852193	2	Washer, Ground strap
12	3853329	8	Nut, Transom plate
13	3852573	6	Washer, Transom plate
14	3852381	1	Plate
15	3853806	2	Rubber cushion
16	3852085	4	Screw, Rear mount to plate
17	3852155	4	Washer, Rear mount to plate
18	3852153	2	Screw, Rear mount
19	3852122	2	Lock nut, Rear mount
20	3852540	2	Washer, Rear mount
21	3852539	2	Nut, Rear mount
22	3852622	2	Washer, Rear mount
23	3852605	1	Backing plate
24	3852475	4	Screw
25	3852078	4	Washer, Lag screw
26	3852542	2	Washer, Mount
27	3852483	2	Stud, Ground
28	3852065	4	Nut, Ground
29	3852070	2	Washer, Ground
30	3853326	6	Screw, Mount
31	3853929	1	Ground cable, Bracket to arm
32	3852090	2	Lock washer, Front mount
33	3852021	6	Nut, Front mount
34	3852566	2	Screw, Engine mount
35	3852428	2	Washer, Lower
36	3853805	2	Rubber cushion
37	3852433	2	Washer, Front mount
38	3853927	1	Ground cable, Bracket to engine
39	3854243	1	• Connector
40	3852527	1	• Cable terminal
41	3853928	1	Ground cable, Bracket to stud
42	3852050	2	Screw, Ground strap
43	3853393	2	Screw, Flywheel housing to block
44	3850571	2	Stud, Engine ground

SX-S, SX-SLT

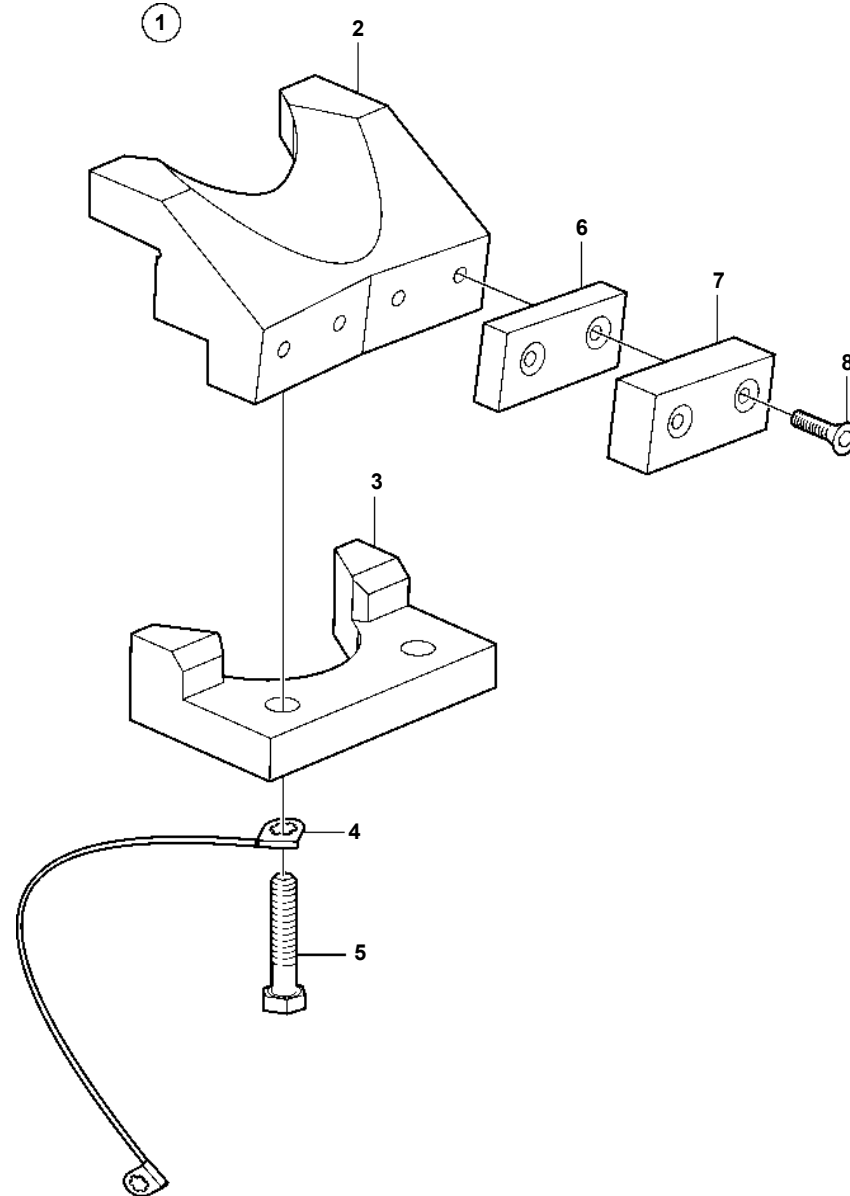


18085

SX-S, SX-SLT

REF	PART NO.	QTY	DESCRIPTION	NOTES
1	3850885	1	Link rod kit	L=26-41" (0.66-1.04M)
	3850886	1	Link rod kit	L=33-48" (0.84-1.22M)
2	3855225	2	• Clevis pin	
3	3855226	4	• Washer	
4	3852255	3	• Split pin	
5	3855224	1	• Clevis pin	

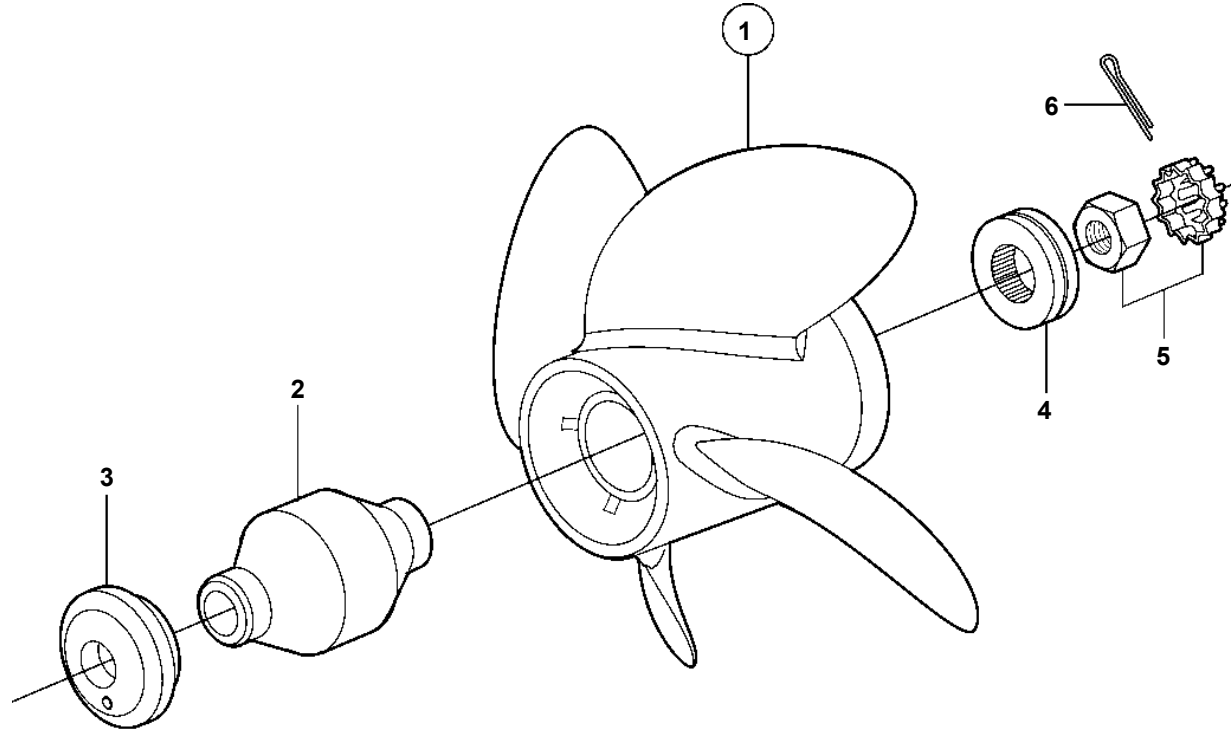
SX-M, SX-MACLT, SX-MBAC, SX-MHP



SX-M, SX-MACLT, SX-MBAC, SX-MHP

REF	PART NO.	QTY	DESCRIPTION	NOTES
1	3857598	1	Kit	TRIM LIMIT
2	3857973	1	· Spacer	
3	3857908	1	· Clamp	
4	3853849	1	· Ground cable	
5	963581	2	· Screw	
6	3857909	X	· Spacer	
7	3857919	X	· Spacer	
8	981609	4	· Screw	

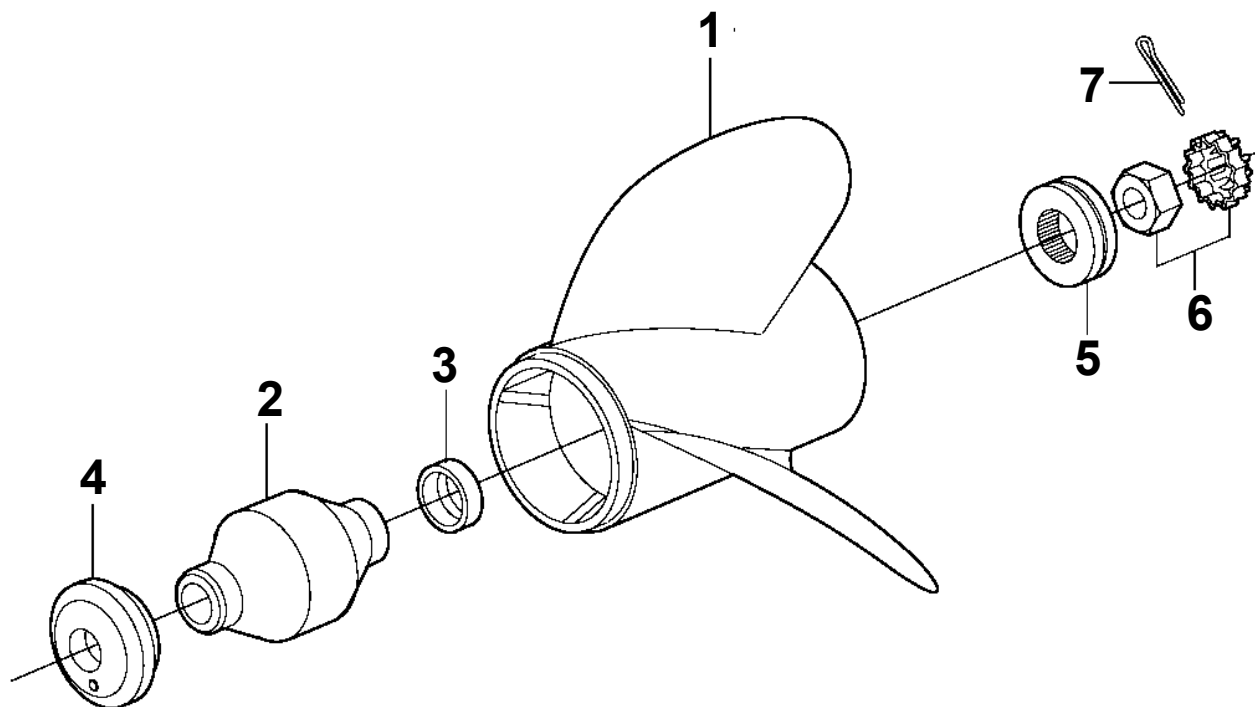
SX-M1



SX-M1

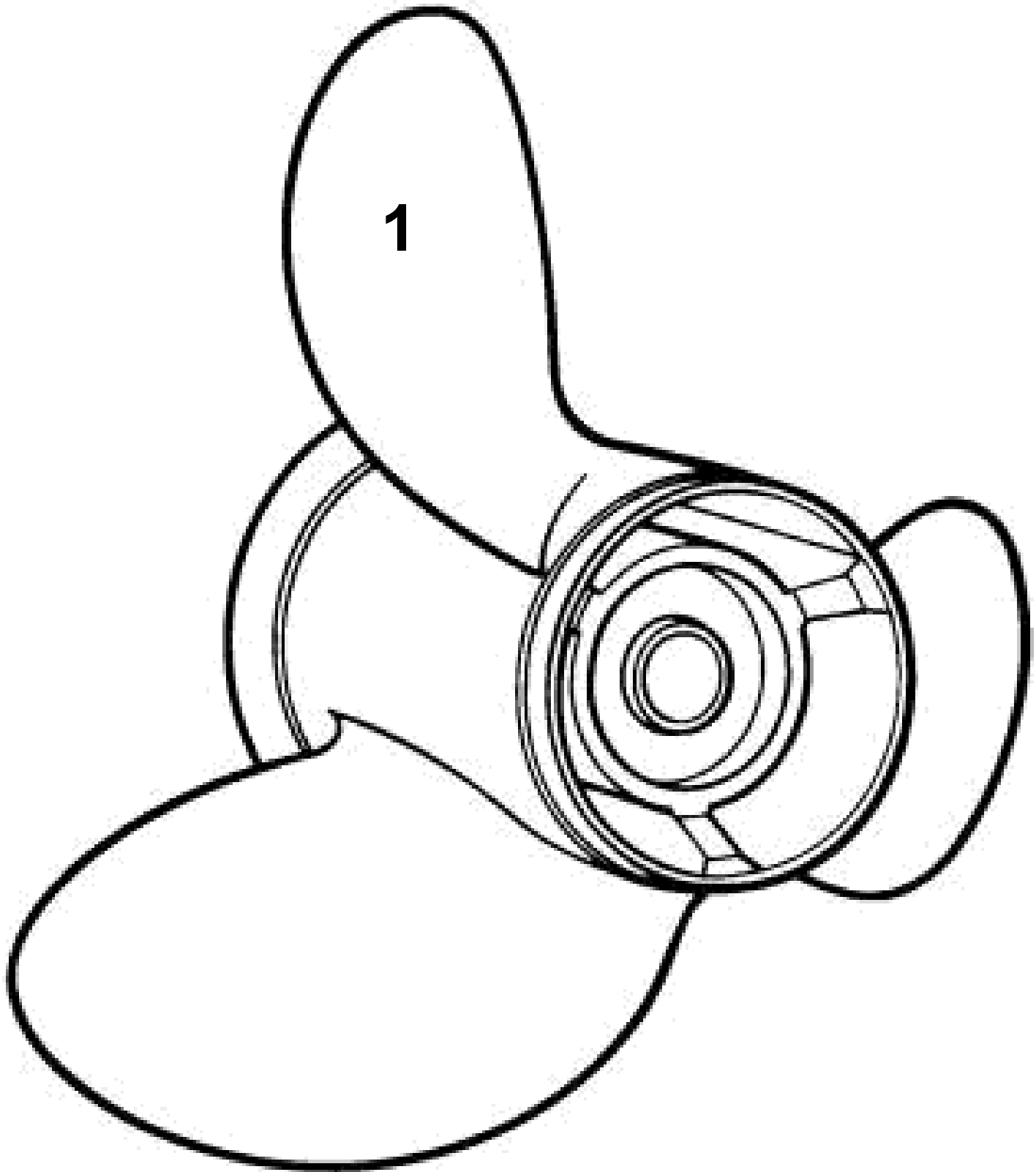
REF	PART NO.	QTY	DESCRIPTION	NOTES
1	3587524	X	Propeller	RH 14.0 X 21
	3587525	X	Propeller	LH 14 X 21
	3587526	X	Propeller	RH 14.0 X 23
	3587522	X	Propeller	RH 14.25 X 19
	3587523	X	Propeller	LH 14.25 X 19
	3587520	X	Propeller	RH 14.5 X 17
	3587521	X	Propeller	LH 14.5 X 17
	3587517	X	Propeller	RH 14.75 X 15
	3587519	X	Propeller	LH 14.75 X 15
2	3587601	1	• Propeller bushing	
3	3852020	1	Bushing	
4	3852350	1	Spacer	
5	3850984	1	Propeller nut	
		1	• Nut	
		1	• Retainer	
6	3852056	1	Cotter pin	

SX-M, SX-MTD, SX-MTD3; Stainless Steel



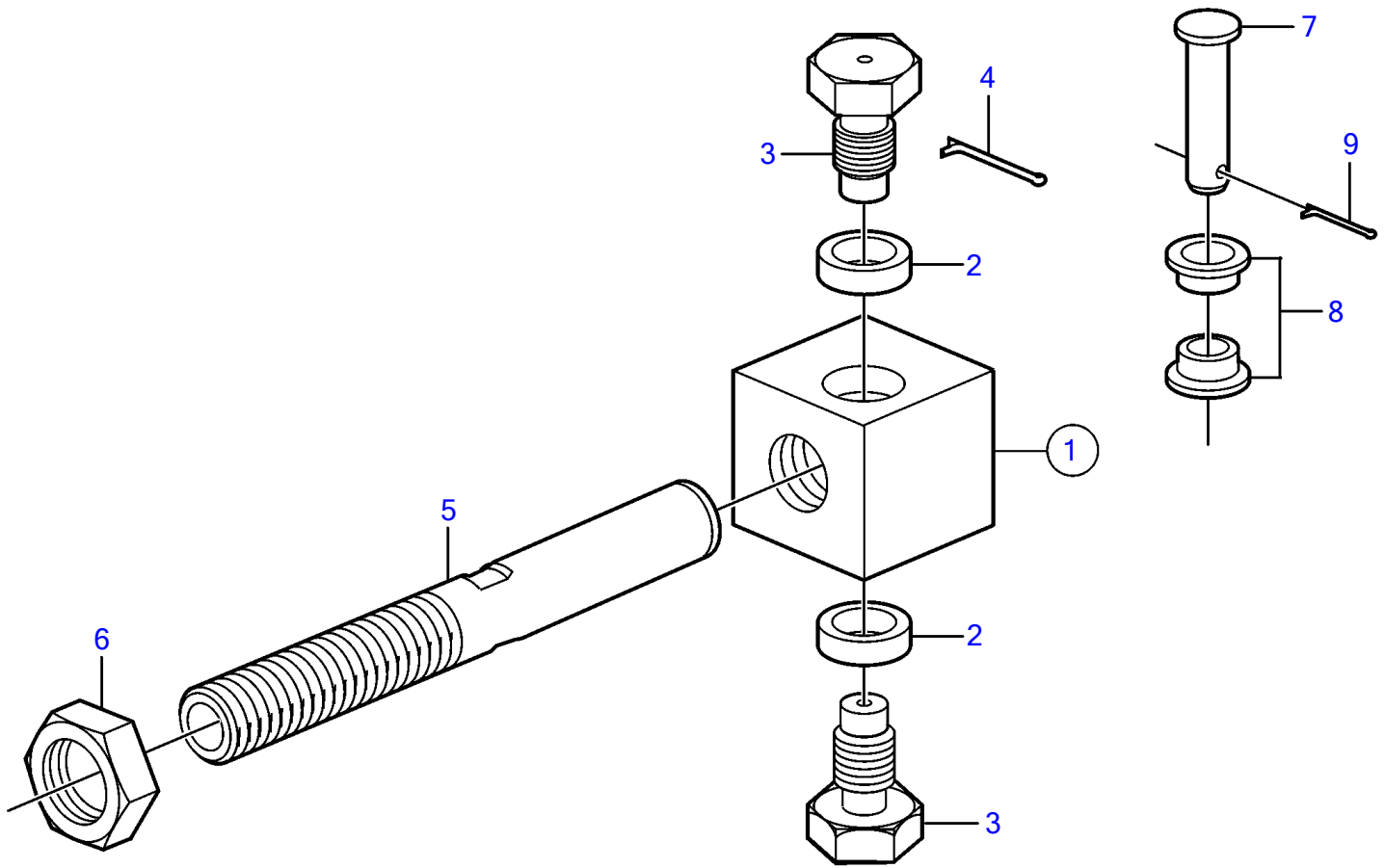
SX-M, SX-MTD, SX-MTD3; Stainless Steel

REF	PART NO.	QTY	DESCRIPTION	NOTES
1	3862462	X	Propeller	RH, 14.75 X 17
	3860708	X	Propeller	RH, 14.75 X 19
	3860709	X	Propeller	RH, 14.75 X 21
	3860710	X	Propeller	RH, 14.25 X 23
	3860714	X	Propeller	LH, 14.75 X 17
	3860715	X	Propeller	LH, 14.75 X 19
	3860716	X	Propeller	LH, 14.75 X 21
	3860717	X	Propeller	LH, 14.25 X 23
2	3862086	1	· Propeller bushing	
3	3850831	1	· · Sleeve	
4	3852020	1	Bushing	
5	3852350	1	Spacer	
6	3850984	1	Propeller nut	
		1	· Nut	
		1	· Retainer	
7	3852056	1	Cotter pin	



PROPELLER KIT (SX PROPELLER)

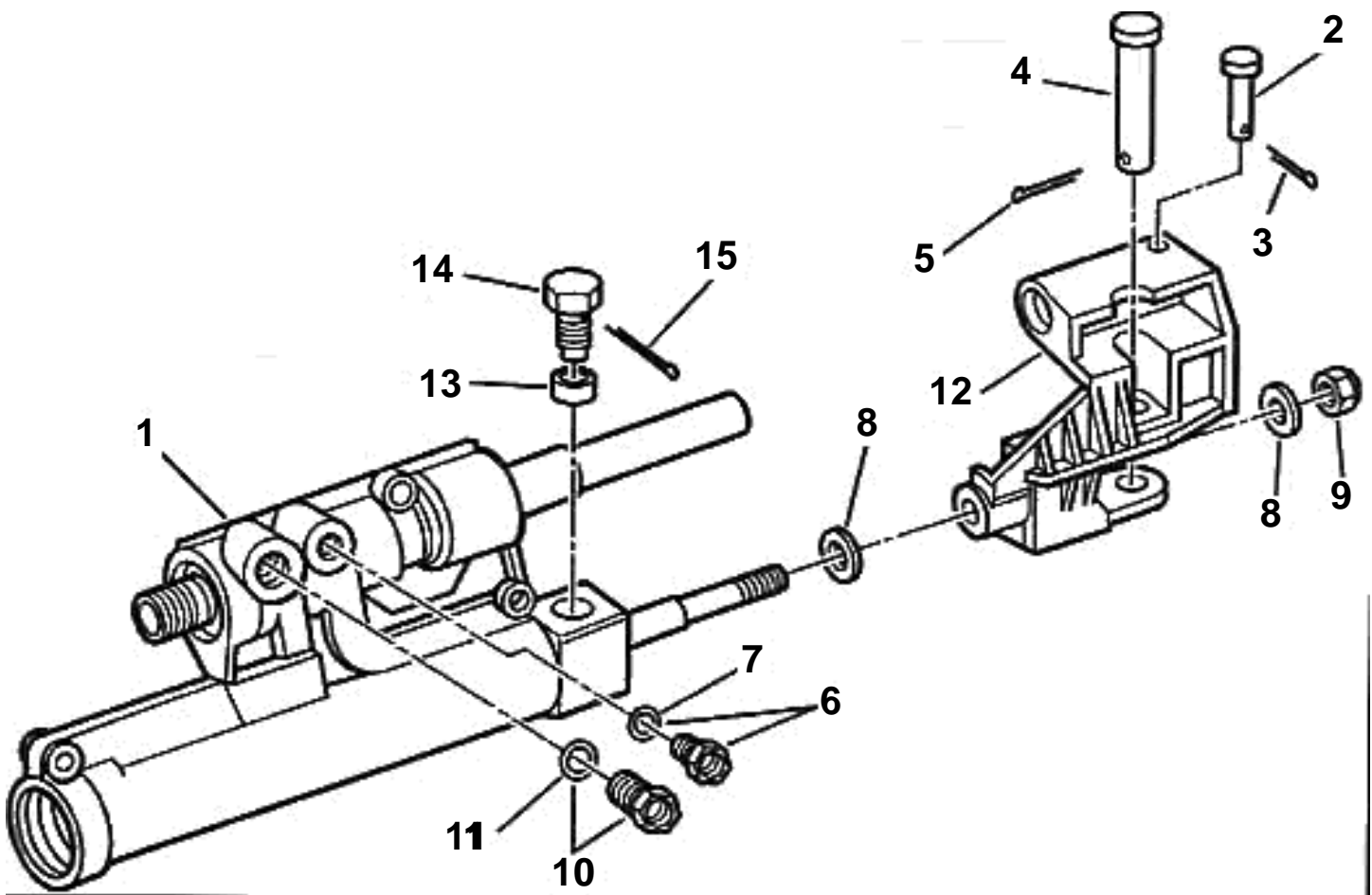
PART NO.	QTY	DESCRIPTION	SEE SEC.	NOTES
3855481	1	Propeller, 141/2 x 19		LR,aluminum
3855480	1	Propeller, 15 x17		LR,aluminum
3855476	1	Propeller, 151/2 x 12		LR,aluminum
3855477	1	Propeller, 151/2 x 13		LR,aluminum
3855478	1	Propeller, 151/2 x 14		LR,aluminum
3855479	1	Propeller, 151/2 x 15		LR,aluminum
3850302	1	Propeller, 141/4 x 21		RR,aluminum
3850303	1	Propeller, 141/4 x 23		RR,aluminum
3850301	1	Propeller, 141/2 x 19		RR,aluminum
3850300	1	Propeller, 15 x17		RR,aluminum
3850298	1	Propeller, 151/2 x 13		RR,aluminum
3850299	1	Propeller, 151/2 x 15		RR,aluminum
3850318	1	Propeller, 141/4 x 21		LR,stainless steel
		Bulletin 56-11	56-11-EN	Replacement of SX Propellers
3850319	1	Propeller, 141/4 x 23		LR,stainless steel
		Bulletin 56-11	56-11-EN	Replacement of SX Propellers
3850317	1	Propeller, 141/2 x 19		LR,stainless steel
		Bulletin 56-11	56-11-EN	Replacement of SX Propellers
3850315	1	Propeller, 15 x 15		LR,stainless steel
3850316	1	Propeller, 15 x17		LR,stainless steel
		Bulletin 56-11	56-11-EN	Replacement of SX Propellers
3850309	1	Propeller, 141/4 x 21		RR,stainless steel
		Bulletin 56-11	56-11-EN	Replacement of SX Propellers
3850310	1	Propeller, 141/4x 23		RR,stainless steel
		Bulletin 56-11	56-11-EN	Replacement of SX Propellers
3850308	1	Propeller, 141/2 x 19		RR,stainless steel
		Bulletin 56-11	56-11-EN	Replacement of SX Propellers
3850305	1	Propeller, 15 x 15		RR,stainless steel
3850306	1	Propeller, 15 x16		RR,stainless steel
3850307	1	Propeller, 15 x17		RR,stainless steel
		Bulletin 56-11	56-11-EN	Replacement of SX Propellers
3850304	1	Propeller, 151/2 x 14		RR,stainless steel
3850322	1	Propeller, 141/4 x 21		LR,polished stainless
		Bulletin 56-11	56-11-EN	Replacement of SX Propellers
3850323	1	Propeller, 141/4 x 23		LR,polished stainless
		Bulletin 56-11	56-11-EN	Replacement of SX Propellers
3850321	1	Propeller, 141/2 x 19		LR,polished stainless
		Bulletin 56-11	56-11-EN	Replacement of SX Propellers
3850320	1	Propeller, 15 x 17		LR,polished stainless
		Bulletin 56-11	56-11-EN	Replacement of SX Propellers
3850313	1	Propeller, 141/4 x 21		RR,polished stainless
		Bulletin 56-11	56-11-EN	Replacement of SX Propellers
3850314	1	Propeller, 141/4 x 23		RR,polished stainless
		Bulletin 56-11	56-11-EN	Replacement of SX Propellers
3850312	1	Propeller, 141/2 x 19		RR,polished stainless
		Bulletin 56-11	56-11-EN	Replacement of SX Propellers
3850311	1	Propeller, 15 x 17		RR,polished stainless
		Bulletin 56-11	56-11-EN	Replacement of SX Propellers



19081

SX-S, SX-SLT

REF	PART NO.	QTY	DESCRIPTION	NOTES
1	(3853808)	1	Anchorage	Obsolete part
2	3852582	2	• Bushing	
3	3850931	2	Screw	
4	3853376	2	Split pin	
5	3853449	1	Tube	
6	955861	1	Hexagon nut	
7	3853258	1	Clevis pin	
8	3853263	2	Bushing	
9	3852255	1	Split pin	

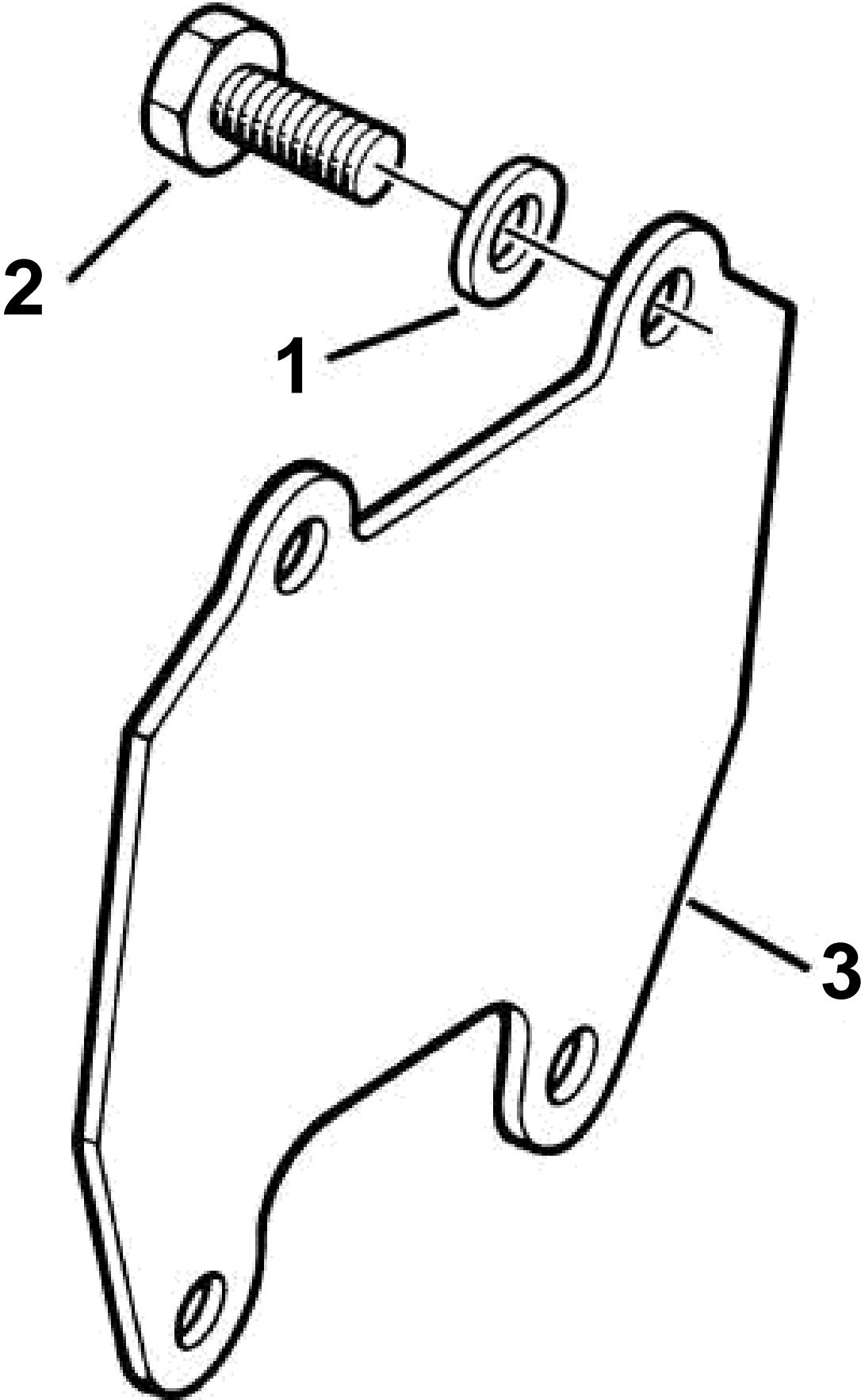


POWER STEERING CYLINDER

REF	PART NO.	QTY	DESCRIPTION
1	3856710	1	Steering cylinder, Power steering
2	3853307	1	Clevis pin, Steering cable to clevis
3	3852255	1	Cotter pin
4	3853308	1	Clevis pin, Steering arm to clevis
5	3852255	1	Cotter pin, Steering arm pin
6	3853993	1	Fitting
7	3852587	1	· O-ring
8	3853305	1	Washer
9	3853306	1	Nut
10	3853994	1	Fitting
11	3852517	1	· O-ring
12	3850251	1	Cylinder anchorage, To steering arm
13	3852582	2	Bearing bushing
14	3850931	2	Screw, Steering anchor, SX
15	3853376	2	Cotter pin, Steering anchor bolt, SX

SX - POWER STEERING PUMP

REF	PART NO.	QTY	DESCRIPTION	NOTES
1	3852837	1	Clamp, Power steering hoses	
2	3852500	1	Bracket, Steering pump, front	
3	3852501	1	Bracket, Steering pump, rear	
4	3853328	1	Brace, Steering pump	
5	3853327	1	Bracket, Adjustment	
6	3853557	1	Screw, Bracket to manifold	
7	3853557	1	Screw, Bracket to engine, front	
8	3853405	1	Screw, Bracket to pump, front	
9	3850422	1	Clamp, Water pump inlet	
10	3853405	1	Screw, Adjustment bracket	
11	3852196	3	Clamp, Oil hoses	
12	3852496	2	Washer, Bracket to pump	
13	3853266	1	Screw, Bracket to engine, rear	
14	3852498	1	Nut, Pump to bracket, rear	
15	3853331	1	V-belt, Power steering pump	
16	3852497	1	O-ring, Pressure hose	
17	3852305	1	Hose, Gimbal to oil cooler	
18	3852574	1	Hose, Cooler to pump, return	
19	3852457	1	Clamp, Hose to exhaust manifold	
20	3853804	1	Pulley, Steering pump	
21	3852079	1	Nut, Clamp	
22	3853236	1	Spacer, Oil cooler	
23	3852126	1	Screw, Clamp	
24	3852423	1	Cable clamp, Steering hoses	
25	3852218	1	Clamp, Oil cooler	
26	3853809	1	Hose, Pump to valve, pressure	
27	3853810	1	Hose, Valve to oil cooler, return	
28	3853399	1	Screw, Brace to bracket	
29	3853786	1	Clamp, Water hose to gimbal	
30	3853406	1	Screw, Brace to pump	
31	3852306	1	Hose, Cooler to water pump	
32	3853557	1	Screw, Clamp to flywheel hsg	
33	3852840	1	Oil cooler	
34	3852092	1	Clamp, Engine cable	
35	3853315	1	Fitting, Steering hose plug	Dual Installation Without Power Steering
36	3850492	1	Power steering pump	
37	3853786	2	Clamp, Oil cooler	



SX-A, DPS-A, SX-A, SX-ALT42, SX-ALT32, SX-AAC, SX-AACT42, SX-AACT32

REF	PART NO.	QTY	DESCRIPTION	NOTES
1	3888820	X	Gasket kit	TRANSOM SHIELD
	3841011	1	• Rubber gasket	
	3841015	1	• Gasket	
	976106	1	• O-ring	
	3852537	1	• O-ring	
	3852045	1	• O-ring	
	946056	1	• O-ring	
	3883257	1	• Seal	
	3841013	1	• Gasket	
	3888821	X	Gasket kit, lower	SX-A
	3841966	1	• Gasket	
	3841968	1	• Gasket	
	925259	2	• O-ring	
	3852866	1	• O-ring	
	3855081	1	• O-ring	
	3863090	1	• Seal	
	3888822	X	Gasket kit, lower	DPS-A
	3841966	1	• Gasket	
	3841968	1	• Gasket	
	3855081	1	• O-ring	
	3852866	1	• O-ring	
	925259	2	• O-ring	
	851407	2	• Sealing ring	
	3888917	X	Gasket kit, upper	SX-A, DPS-A
	3841964	1	• Gasket	
	3852045	1	• O-ring	
	925095	1	• O-ring	
	3852565	2	• O-ring	
	949656	1	• O-ring	
	3855081	1	• O-ring	
	925093	1	• O-ring	
	3852272	1	• Seal	
	3863085	1	• Sealing ring	